

SERVICES
FIRE PROTECTION

Ref. No	Part No.	Description	No. off	Material Specification	Class of Eqt. M.R. or L.M.	Plate No.
	-	FIRE PROTECTION SYSTEM IN FUSELAGE Spares for: (EB8.60.87)	-	-	-	
27N/100 or 27N/152 or 27N/1119550	Type 12A or Type 4AX or Type 89A	BOTTLE, extinguisher	1	-	A	MD.3
		BOTTLE, extinguisher	1	-	A	MD.3
		BOTTLE, extinguisher	1	-	A	MD.3
		Attachment of bottle to bracket				
28S/1011481 11400 11394 11395	A31/C48 EA2.60.25 EA2.60.11 EA2.60.13	Screw, 2BA Strap Trunnion Trunnion	1 2 1 1	- DTD610 DTD126A DTD126A	C C C C	MD.3 MD.3 MD.3 MD.3
28568	EB8.60.105	BRACKET, mounting, bulkhead fitting Attachment of bracket to bulkhead	2	DTD610	C/MR	MD.3
28Q/1028817	SP80/404 Graviner D3893	Rivet	6	-	C	MD.3
5CZ/1034305 12K/9635263	- Graviner D3004	BUSH CARTRIDGE UNIT, 2 pin Mk 3 (Mod 3496)	140 1	- -	C A	MD.3 MD.3
5CZ/1042862	Graviner D2475	CLIP	140	-	C	MD.3
5CZ/7001131	Graviner D2475	CONNECTOR, hexagon	6	-	B	MD.3
5CZ/1084614	Graviner D3131	COUPLING UNIT, flange type	2	-	C	MD.3
28F/9471001	AGS1102/C	COUPLING, pipe	4	-	C	MD.3
28F/9439765	AGS1102/D Graviner	COUPLING, pipe	4	-	C	MD.3
5CZ/7001127	D2370/60 Graviner	ELEMENT, sensing (5 ft long)	3	-	A	MD.3
5CZ/7001128	D2370/120 Graviner	ELEMENT, sensing (10 ft long)	6	-	A	MD.3
296	EA1.60.49	FAIRLEAD Attachment of fairlead to fuselage	2	LFS21	C	MD.3
28D/9419452	A25/3B	Bolt, 4BA	4	-	C	MD.3
28M/1278189	AGS2001/B1	Nut, 4BA	4	-	C	MD.3
28W/9419474	SP15/B Graviner	Washer, 4BA	4	-	C	MD.3
5CZ/1084436	D3171	FITTING, bulkhead Attachment of fitting to structure	2	-	C	MD.3
28D/9436920	A25/1C	Bolt, 4BA	4	-	C	MD.3
28M/1278189	AGS2001/C1	Nut, 4BA	4	-	C	MD.3
28W/9419402	SP15/C	Washer, 4BA	4	-	C	MD.3
28F/8011897	AGS1142/F	NIPPLE	2	-	C	MD.3
28F/4051700	AGS1125/10	PIECE, union, 4-way	1	-	C	MD.3
30828	EB8.60.209	PIPE, bottle to reducing union	1	-	C	MD.3
20787	EB7.60.15	PIPE, reducing union to tee piece	1	-	C	MD.3
12208	EB7.60.13	PIPE, tee piece to blanking plug on tank bulkhead	1	-	C	MD.3
2214	EA2.60.35	PIPE, tee piece to coupling forward frame 23	1	-	C	MD.3
30792	EB8.60.205	PIPE, 1/2 in o/d (Pre Mod 3498)	1	-	C	MD.3
33746	EB8.60.227	PIPE, 1/2 in o/d (Mod 3498) coupling forward frame 23 to coupling between frames 21B-22	1	-	C	MD.3

RESTRICTED

SERVICES
FIRE PROTECTION

Ref. No	Part No.	Description						No. off	Material Specification	Class of Eqpt. M.R. or L.M.	Plate No.	
		1	2	3	4	5	6					
30793	EB8.60.207	PIPE, 3/8 in.						o/d (Pre Mod 3498)	1	-	C	MD.3
33745	EB8.60.229	PIPE, 7/8 in.						o/d (Mod 3498) coupling between frames 21B-22 to coupling between frames 20-21A	1	-	C	MD.3
32107	EB8.60.217	PIPE, 1 in.						o/d coupling between frames 20-21A to 4-way piece between frames 18-19	1	-	A	MD.3
2217	EA2.60.41	PIPE, 4-way						piece to coupling in port wing	1	-	C	MD.3
32109	EB8.60.221	PIPE, 4-way						piece to coupling on frame 12 to starboard wing	1	L56	C	MD.3
30829	EB8.60.211	PIPE, coupling						on frame 12 to coupling inboard of starboard fuselage	1	-	C	MD.3
30830	EB8.60.213	PIPE, coupling						in fuselage to coupling in starboard wing	1	-	C	MD.3
32106	EB8.60.215	PIPE, 4-way						piece to coupling at forward bulkhead	1	L56	C	MD.3
32108	EB8.60.219	PIPE, on						forward face of bulkhead	1	L56	C	MD.3
28F/4051600	AGS1143/C	PLUG, blanking							2	-	C	MD.3
28F/9489323	AGS1120/10	TEE-PIECE							1	-	C	MD.3
28F/4051736	AGS1108/C	UNION, reducing							1	-	C	MD.3
5CZ/1069370	Graviner 365D	UNIT, control							1	-	A	MD.3
5CZ/1031297	Graviner D2004	WASHER, copper asbestos							24	-	C	MD.3
		FIRE PROTECTION SYSTEM INNER WING, PORT (EB8.60.3)							-	-	-	
		Spares for:										
		BOTTLE, installation (Mod 3496) (EB8.60.225)							-	-	-	
		Spares for:										
27N/102	-	BOTTLE, extinguisher							1	-	A	MD.2
or	or											
27N/1489333	Type 138A	BOTTLE, extinguisher							1	-	A	MD.2
12K/9635263	-	CARTRIDGE UNIT, 2-pin, Mk 3							1	-	A	MD.2
12K/9231213	-	CARTRIDGE UNIT, 3-pin, Mk 3							1	-	A	MD.2
		Attachment of bottle to mounting strap										
3410	EAL-60.121	Bolt, 2BA							1	S92	C	MD.2
1704	EAL.60.21	Trunnion							1	DTD126A	C	MD.2
1705	EAL.60.23	Trunnion							1	DTD126A	C	MD.2
3624	EAL.60.41	BRACKET, support, assembly							1	-	C	MD.2
		Attachment of bracket to rib										
28D/1010658	A25/1B	Bolt, 1BA							4-	-	C	MD.2
28M/1278199	AGS2001/B1	Nut, 4BA							4	-	C	MD.2
28W/9419465	SP13/B	Washer, 4BA							4	-	C	MD.2
28F/4051736	AGS1108/C	COUPLING, pipe							1	-	C	MD.2
28F/8011897	AGS1142/F	NIPPLE, adaptor							2	-	C	MD.2

SERVICES
FIRE PROTECTION

Ref. No	Part No.	Description						No. off	Material Specification	Class of Eqpt. M.R. or L.M.	Plate No.
		1	2	3	4	5	6				
14944	EB8.60.99	PIPE, coupling at fuselage side to coupling at rib D						1	-	C	MD.2
14945	EB8.60.201	PIPE, coupling at rib D to bottle						1	-	C	MD.3
14947	EB8.60.203	PIPE, bottle to bulkhead union on engine rib						1	-	C	MD.2
1703	EA1.60.33	STRAP, mounting assembly Attachment of strap to rib						1	-	C	MD.2
28D/1010658	A25/1B	Bolt, 4BA						4	-	C	MD.2
28M/1278189	AGS2001/B1	Nut, 4BA						4	-	C	MD.2
28W/9419465	SP13/B	Washer, 4BA						4	-	C	MD.2
14949	EB8.60.75	UNION, bulkhead, on engine rib						1	S110	C	MD.2

RESTRICTED

SERVICES
FIRE PROTECTION

Ref. No	Part No.	Description						No. off	Material Specification	Class of Eqt. M.R. or L.M.	Plate No.
		1	2	3	4	5	6				

SERVICES
FIRE PROTECTION

Ref. No	Part No.	Description						No. off	Material Specification	Class of Eqpt. M.F. or L.M.	Plate No.
		1	2	3	4	5	6				
-	-	FIRE PROTECTION SYSTEM, INNER WING, STARBOARD (EB8.60.4)						-	-	-	
-	-	Spares for:									
-	-	BOTTLE, Installation (Mod 3496) (EB8.60.226)						-	-	-	
-	-	Spares for:									
27N/102	-	BOTTLE, extinguisher						1	-	A	MD.2
or 27N/1489333	or Type 138A	BOTTLE, extinguisher						1	-	A	MD.2
12K/9635263	-	CARTRIDGE UNIT, 2 pin, Mk 3						1	-	A	MD.2
12K/9231213	-	CARTRIDGE UNIT, 2 pin, Mk 3						1	-	A	MD.2
3410	EAL.60.121	Attachment of bottle to mounting strap Bolt, 2BA						1	-	C	MD.2
1704	EAL.60.21	Trunnion						1	DTD126A	C	MD.2
1705	EAL.60.23	Trunnion						1	DTD126A	C	MD.2
3624	EAL.60.41	BRACKET, support assembly Attachment of bracket to rib						1	-	C	MD.2
28D/1010658	A25/1B	Bolt, 2BA						4	-	C	MD.2
28M/1278189	AGS2001/B1	Nut, 2BA						4	-	C	MD.2
28W/9419465	SP13/B	Washer, 2BA						4	-	C	MD.2
28F/4051736	AGS1108/C	COUPLING, pipe						1	-	C	MD.2
28F/8011897	AGS1142/F	NIPPLE, adaptor						2	-	C	MD.2
21403	EAL.60.163	PIPE, coupling at fuselage side to coupling at rib D						1	-	C	MD.2
14946	EB8.60.202	PIPE, coupling at rib D to bottle						1	-	C	MD.2
14948	EB8.60.204	PIPE, bottle to bulkhead union on engine rib						1	-	C	MD.2
1703	EAL.60.33	STRAP, mounting, assembly Attachment of strap to rib						1	-	C	MD.2
28D/1010658	A25/1B	Bolt, 4BA						4	-	C	MD.2
28M/1278189	AGS2001/B1	Nut, 4BA						4	-	C	MD.2
28W/9419465	SP13/B	Washer, 4BA						4	-	C	MD.2
14949	EB8.60.75	UNION, bulkhead on engine rib						1	S110	C	MD.2
-	-	FIRE PROTECTION SYSTEM IN PORT NACCELE (EB8.60.1)						4	-	C	MD.2
14953	EB8.60.79	BANJO, double, inboard rib						1	S110	C	MD.2
13757	EB8.60.69	BODY, union, on diaphragm						4	S110	C	MD.1
14952	EB8.60.77	BODY, banjo, inboard rib						1	S110	C	MD.1
28F/9423233	AGS1135/F	BOLT, banjo						2	-	C	MD.1.2
13760	EB8.60.67	LOCKNUT, union body						4	-	C	MD.1
28F/8011897	AGS1142/F	NIPPLE, adaptor						2	-	C	MD.1
14954	EB8.60.9	PIPE, (inboard) bulkhead adaptor to tee piece						1	-	C	MD.1
14956	EB8.60.11	PIPE, (inboard) tee piece to upper reducing union						1	-	C	MD.1
14958	EB8.60.13	PIPE, (inboard) reducing union to union						1	-	C	MD.1

SERVICES
FIRE PROTECTION

Ref. No	Part No.	Description						No. off	Material Specification	Class of Eqpt. M.F. or L.M.	Plate No.
		1	2	3	4	5	6				
14960	EB8.60.15	PIPE, (Inboard) union to cone plug						1	-	C	MD.1
14962	EB8.60.17	PIPE, (Inboard) tee-piece to lower reducing union						1	-	C	MD.1
14964	EB8.60.19	PIPE, (Inboard) lower reducing union to union						1	-	C	MD.1
14966	EB8.60.21	PIPE, (Inboard) lower union to cone plug						1	-	C	MD.1
14968	EB8.60.23	PIPE, (outboard) bulkhead adaptor to upper reducing union						1	-	C	MD.2
14970	EB8.60.25	PIPE, (outboard) reducing union to union						1	-	C	MD.2
14972	EB8.60.27	PIPE, (outboard) union to tee-piece						1	-	C	MD.2
14974	EB8.60.29	PIPE, (outboard) bulkhead adaptor to lower reducing union						1	-	C	MD.2
14976	EB8.60.31	PIPE, (outboard) lower reducing union to union						1	-	C	MD.2
14978	EB8.60.33	PIPE, (outboard) lower union to tee piece						1	-	C	MD.2
14980	EB8.60.65	PLUG, cone						2	S110	C	MD.1
14981	EB8.60.35	ROSE, spray assembly						1	-	C	MD.2
14983	EB8.60.61	TEE-PIECE						1	S110	C	MD.2
14984	EB8.60.81	TEE-PIECE						1	S110	C	MD.1
14985	EB8.60.71	UNION, reducing						4	S110	C	MD.1
36333	EB8.60.37	WASHER, union body (make from 28F/10109)						8	-	LM	MD.1
-	-	FIRE PROTECTION SYSTEM IN STARBOARD NACELLE (EB8.60.2)						-	-	-	
14953	EB8.60.79	BANJO, double, inboard rib						1	S110	C	MD.2
13757	EB8.60.69	BODY, union on diaphragm						4	S110	C	MD.1
14952	EB8.60.77	BODY, banjo, inboard rib						1	S110	C	MD.1
28F/9423233	AGS1135/F	BOLT, banjo						2	-	C	MD.1.2
13760	EB8.60.67	LOCKNUT, union body						4	S110	C	MD.1
28F/8011897	AGS1142/F	NIPPLE, adaptor						2	-	C	MD.1
14955	EB8.60.10	PIPE, (Inboard) bulkhead adaptor to tee-piece						1	-	C	MD.1
14957	EB8.60.12	PIPE, (Inboard) tee-piece to upper reducing union						1	-	C	MD.1
14959	EB8.60.14	PIPE, (Inboard) reducing union to union						1	-	C	MD.1
14961	EB8.60.16	PIPE, (Inboard) union to cone plug						1	-	C	MD.1
14963	EB8.60.18	PIPE, (Inboard) tee-piece to lower reducing union						1	-	C	MD.1
14965	EB8.60.20	PIPE, (Inboard) lower reducing union to union						1	-	C	MD.1
14967	EB8.60.22	PIPE, (Inboard) lower union to plug						1	-	C	MD.1

SERVICES
FIRE PROTECTION

Ref. No	Part No.	Description						No. off	Material Specification	Class of Eqt. M.R. or L.M.	Plate No.
		1	2	3	4	5	6				
14969	EB8.60.24	PIPE, (outboard) bulkhead adaptor to upper reducing union						1	-	C	MD.2
14971	EB8.60.26	PIPE, (outboard) reducing union to union						1	-	C	MD.2
14973	EB8.60.28	PIPE (outboard) union to tee-piece						1	-	C	MD.2
14975	EB8.60.30	PIPE, (outboard) bulkhead adaptor to lower reducing union						1	-	C	MD.2
14977	EB8.60.32	PIPE, (outboard) lower reducing union to union						1	-	C	MD.2
14979	EB8.60.34	PIPE, (outboard) lower union to tee-piece						1	-	C	MD.2
14980	EB8.60.65	PLUG, cone						2	S110	C	MD.1
14982	EB8.60.36	ROSE, spray assembly						1	-	C	MD.2
14983	EB8.60.61	TEE-PIECE						1	S110	C	MD.2
14984	EB8.60.81	TEE-PIECE						1	S110	C	MD.1
14985	EB8.60.71	UNION, reducing						4	S110	C	MD.1
	EB8.60.37	WASHER, union body (make from 28F/10109)						8	-	LM	MD.1

SERVICES
FIRE PROTECTION

Ref. No.	Part No.	Description						No. off	Material Specification	Class of Expt. M.P. or L.M.	Plate No.
		1	2	3	4	5	6				

Canberra P R Mk 9

SERVICES
FIRE PROTECTION

Ref. No	Part No.	Description						No. off	Material Specification	Class of Eqt. M.R. or L.M.	Plate No.
		1	2	3	4	5	6				
	-	FIRE PROTECTION SYSTEM, OUTER WING, PORT (EB8.60.89)						-	-	-	
		Spares for:									
27N/99 or 27N/153 or 27N/1489332 27N/116	Type 13A or Type 5AX or Type 99A -	BOTTLE, extinguisher						1	-	A	MD.1
		BOTTLE, extinguisher						1	-	A	MD.1
		BOTTLE, extinguisher						1	-	A	MD.1
		BRACKET, carrier						1	-	A	MD.1
		Attachment of bracket to support angles									
28D/1018885 28M/1006939	A25/19G A27/GP	Bolt, 5/16 in. BSF						4	-	C	MD.1
		Nut, 5/16 in. BSF						4	-	C	MD.1
28W/9419488	SP16/G	Washer, 5/16 in.						4	-	C	MD.1
12K/9635263	-	CARTRIDGE UNIT, 2 pin Mk 3 (Mod 3496)						1	-	A	MD.1
28F/8011897	AGS1142/F	NIPPLE, adaptor, on rib						1	-	C	MD.1
14950	EB8.60.101	PIPE, bottle to Rib 1						1	-	C	MD.1
14949	EB8.60.75	UNION, bulkhead						1	S110	C	MD.1
		Attachment of union to rib									
28D/9133011 28W/9435073 28M/1278190 28W/9419402	A25/2C AS4561/2 AGS2001/C1 SP13/C	Bolt, 2BA						6	-	C	MD.1
		Lock Washer, tab						2	-	C	MD.1
		Nut, 2BA						6	-	C	MD.1
		Washer, 2BA						6	-	C	MD.1
	-	FIRE PROTECTION SYSTEM, OUTER WING, STAR- BOARD (EB8.60.90)						-	-	-	
		Spares for:									
27N/99 or 27N/153 or 27N/1489332 27N/116	Type 3A or Type 5AX or Type 99A -	BOTTLE, extinguisher						1	-	A	MD.1
		BOTTLE, extinguisher						1	-	A	MD.1
		BOTTLE, extinguisher						1	-	A	MD.1
		BRACKET, carrier						1	-	A	MD.1
		Attachment of bracket to support angles									
28D/1018885 28M/1006939	A25/19G A27/GP	Bolt, 5/16 in. BSF						4	-	C	MD.1
		Nut, 5/16 in. BSF						4	-	C	MD.1
28W/9419488	SP16/G	Washer, 5/16 in.						4	-	C	MD.1
12K/9635263	-	CARTRIDGE UNIT, 2 pin, Mk 3 (Mod 3496)						1	-	A	MD.1
28F/8011897	AGS1142/F	NIPPLE, adaptor on rib						1	-	C	MD.1
14951	EB8.60.102	PIPE, bottle to Rib 1						1	-	C	MD.1
14949	EB8.60.75	UNION, bulkhead						1	S110	C	MD.1
		Attachment of union to rib									
28D/9133011 28W/9435073 28M/1278190 28W/9419402	A25/2C AS4561/2 AGS2001/C1 SP13/C	Bolt, 2BA						6	-	C	MD.1
		Lock Washer, tab						2	-	C	MD.1
		Nut, 2BA						6	-	C	MD.1
		Washer, 2BA						6	-	C	MD.1

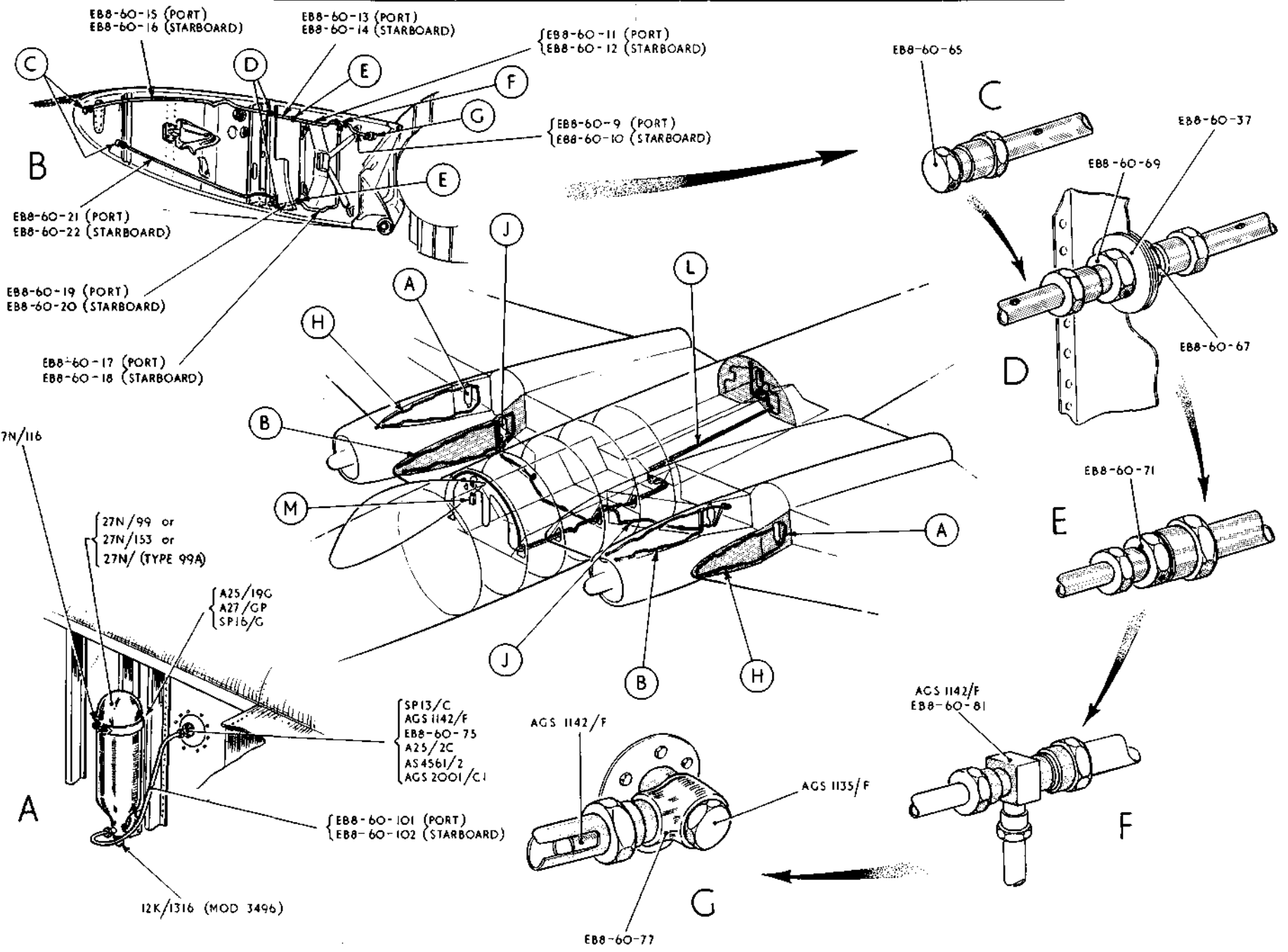
RESTRICTED

SERVICES
FIRE PROTECTION

Ref. No	Part No.	Description						No. off	Material Specification	Class of Eqpt. M.R. or L.M.	Plate No.
		1	2	3	4	5	6				

CANBERRA P.R. Mk. 9

FIRE PROTECTION



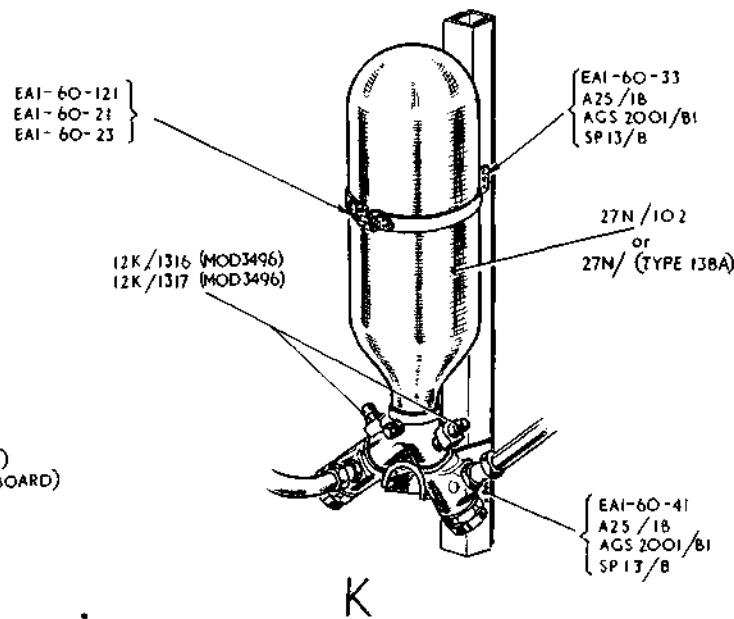
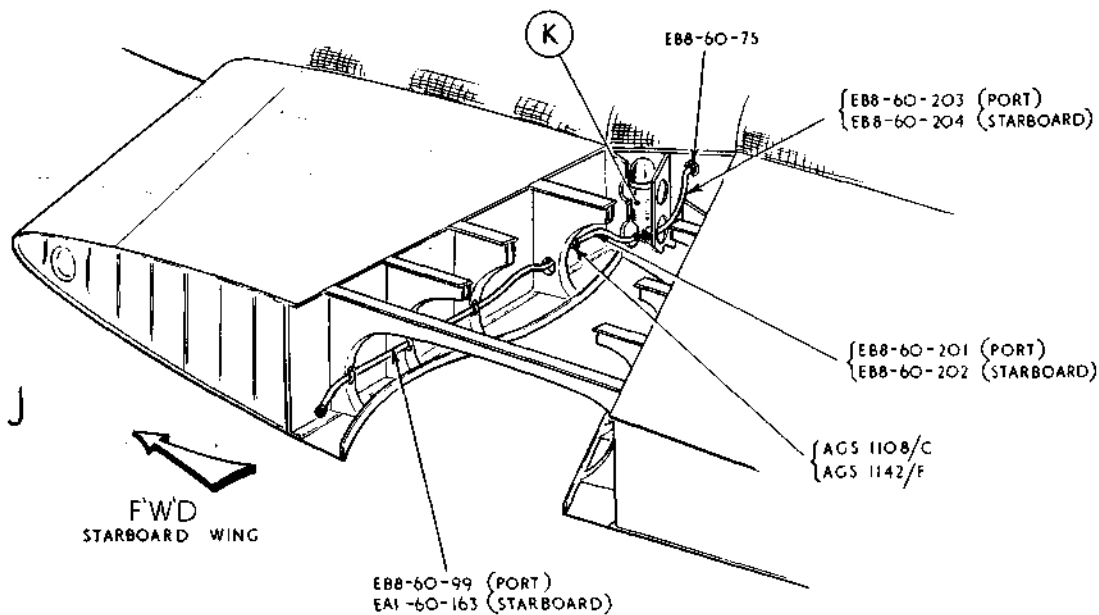
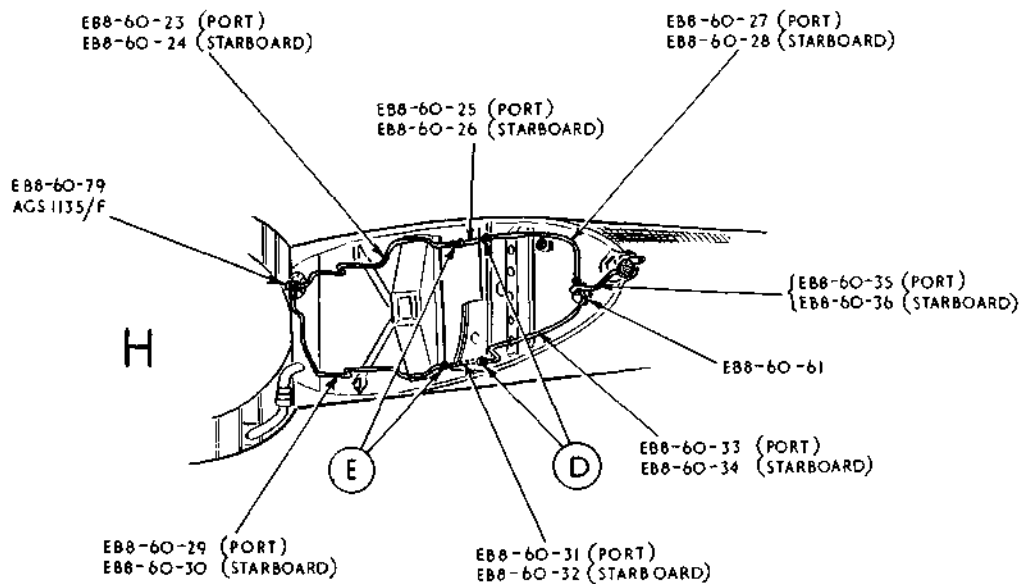
CANBERRA P.R. Mk. 9

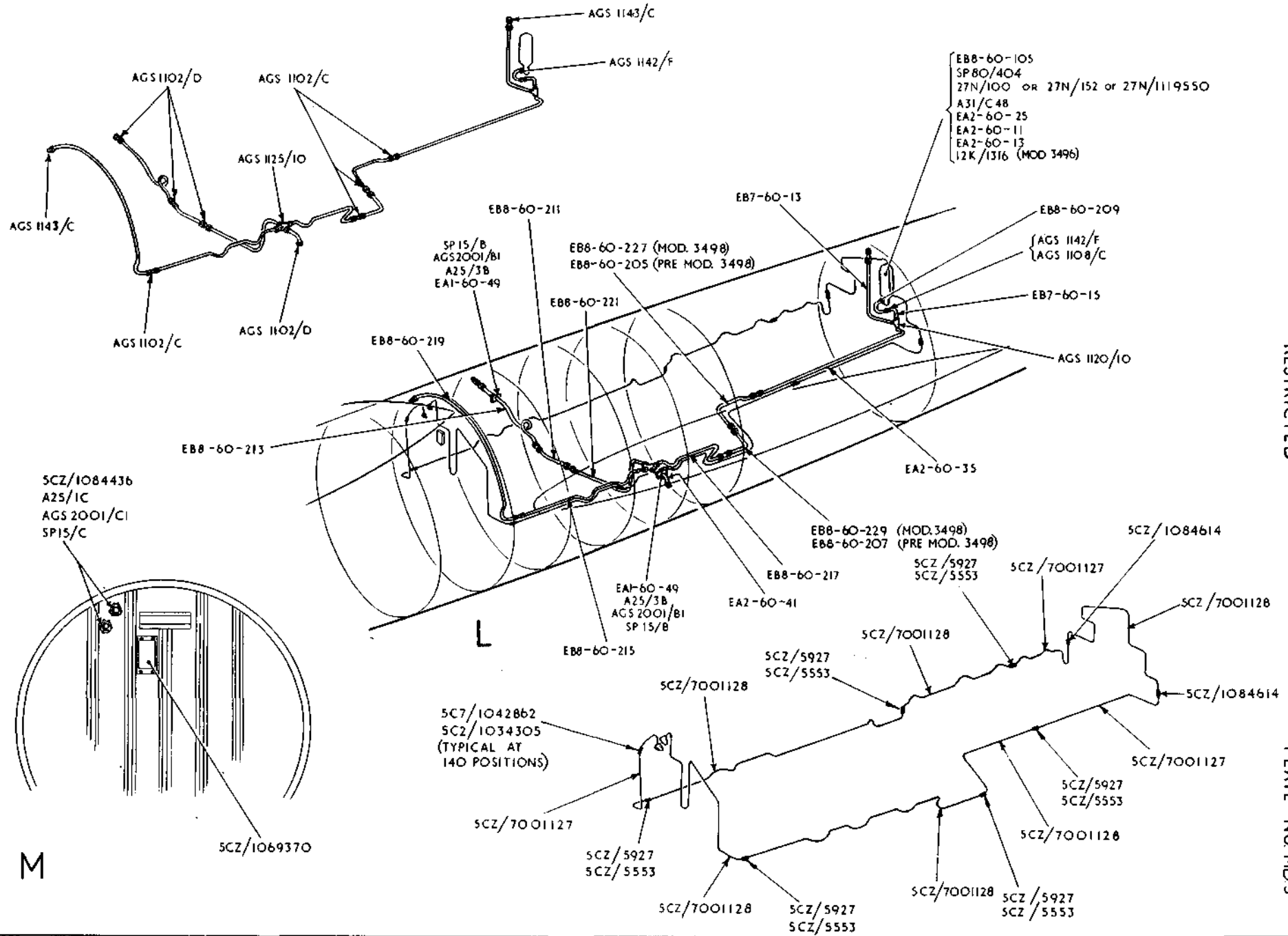
FIRE PROTECTION

Issued with A.L.38

RESTRICTED

PLATE No. MD2





This file was downloaded from the RTFM Library.
Link: www.scottbouch.com/rtfm

Please see site for usage terms, and more aircraft documents.

