

SERVICES
OXYGEN SYSTEM

Ref. No	Part No.	Description						No. off	Material Specification	Class of Eqpt. M.R. or L.M.	Plate No.
		1	2	3	4	5	6				
-	-	OXYGEN SYSTEM IN NOSE FUSELAGE (K88.71.465) Spares for:-						-	-	-	
6D/2243050	-	ADAPTOR, straight connection on pilot's regulator						2	-	C	MK.1
28F/9157962	AGS1112/B	ADAPTOR, bulkhead Attachment of adaptor to bulkhead						2	-	C	MK.1
28D/1008439	A25/2B	Bolt, 2BA						6	-	C	
28M/1278189	AGS2001/B1	Nut, 2BA						6	-	C	
981	KEAS20/2DR	Tab, locking						2	-	C	MK.1
28F/9128928	AGS1115/2	Washer, plate						1	-	C	
	-	BRACKET, Pilot's Reducing Valve Mounting Assembly (K88.71.351)						-	-	-	MK.1
	-	BRACKET, Navigator's Reducing valve Mounting Assembly (K88.71.489) Spares for:-						-	-	-	MK.1
30010	K88.71.355	BRACKET						1	-	C	MK.1
6D/2244070	-	VALVE, reducing, Mk.1A Attachment of valve to bracket						1	-	A	MK.1
28D/1220052	A25/17B	Bolt, 4BA						2	-	C	
5780	EB7.71.49	Clamp						1	-	C	MK.1
28M/1278189	AGS2001/B1	Nut, 4BA						2	-	C	
3413	KEAS91/4	CLIP, double, $\frac{3}{16}$ in.						3	-	C	MK.1
1128	KEAS69/2	GASKET, bulkhead adaptor						4	Neo-K-Tex	C	MK.1
22493	EA1.71.91	LABEL, H.P. valve						2	-	C	MK.1
6D/2244091	-	LABEL, N.R. Valve						2	-	C	MK.1
6D/2243528	-	PIECE, connecting, 2-way						7	-	C	MK.1
6D/2243645	-	PIECE, connecting, 3-way						2	-	C	MK.1
6D/2243586	-	PIECE, connecting, 4-way						1	-	C	MK.1
14986	K88.71.299	PIPE, $\frac{3}{16}$ in. o/d frame 12 to connection between frames 11-12 (port) to aft of bulkhead						1	-	C	MK.2
14987	K88.71.301	PIPE, $\frac{3}{16}$ in. o/d, connection frames 11-12 (port) to aft of bulkhead						1	-	C	MK.2
14988	K88.71.303	PIPE, $\frac{3}{16}$ in. o/d, connection forward of bulkhead to line valve						1	-	C	MK.2
14989	K88.71.305	PIPE, $\frac{3}{16}$ in. o/d line valve to connection aft frame 9 (port) (Pre Mod 3720)						1	-	C	MK.2
41300	K88.71.647	PIPE, $\frac{3}{16}$ in. o/d line valve to connection aft frame 9 (port) (Mod 3720) (See pipe Chart)						1	-	C	
14990	K88.71.307	PIPE, $\frac{3}{16}$ in. o/d connection aft frame 9 to connection frames 6-7 (port)						1	-	C	MK.2

RESTRICTED

SERVICES
OXYGEN SYSTEM

Ref. No	Part No.	Description						No. off	Material Specification	Class of Eqpt. M.R. or L.M.	Plate No.
		1	2	3	4	5	6				
28763	EB8.71.467	PIPE, $\frac{3}{16}$ in.						1	-	C	MK.2
28762	EB8.71.469	PIPE, $\frac{3}{16}$ in.						1	-	C	MK.2
28761	EB8.71.471	PIPE, $\frac{3}{16}$ in.						1	-	C	MK.2
28755	EB8.71.483	PIPE, $\frac{3}{16}$ in.						1	-	C	MK.2
30004	EB8.71.335	PIPE, $\frac{3}{16}$ in.						1	-	C	MK.2
28758	EB8.71.463	PIPE, $\frac{3}{16}$ in.						1	-	C	MK.2
30812	EB8.71.477	PIPE, $\frac{3}{16}$ in.						1	-	C	MK.2
14998	EB8.71.323	PIPE, $\frac{3}{16}$ in.						1	-	C	MK.2
39507	EB8.71.601	PIPE, $\frac{3}{16}$ in.						1	-	C	MK.2
39508	EB8.71.603	PIPE, $\frac{3}{16}$ in.						1	-	C	MK.2
39505	EB8.71.597	PIPE, $\frac{3}{16}$ in.						1	-	C	MK.2
39506	EB8.71.599	PIPE, $\frac{3}{16}$ in.						1	-	C	MK.2
30001	EB8.71.329	PIPE, $\frac{3}{16}$ in.						1	-	C	MK.2
39504	EB8.71.545	PIPE, $\frac{3}{16}$ in.						1	-	C	MK.2
39502	EB8.71.541	PIPE, $\frac{3}{16}$ in.						1	-	C	MK.2
39503	EB8.71.543	PIPE, $\frac{3}{16}$ in.						1	-	C	MK.2
14999	EB8.71.325	PIPE, $\frac{3}{16}$ in.						1	-	C	MK.2
28756	EB8.71.481	PIPE, $\frac{3}{16}$ in.						1	-	C	MK.2

SERVICES

OXYGEN SYSTEM

Ref. No	Part No.	Description						No. off	Material Specification	Class of Eqpt. M.R. or L.M.	Plate No.
		1	2	3	4	5	6				
28759	EB8.71.475	PIPE, $\frac{1}{8}$ in.	o/d connection aft frame & starboard to navigator's reducing valve (See pipe chart)					1	-	C	MK.2
28760	EB8.71.473	PIPE, $\frac{1}{8}$ in.	o/d navigator's reducing valve to navigator's regulator (See pipe chart)					1	-	C	MK.2
6D/2242916	-	REGULATOR, oxygen, Mk.20A (Pre Mod 4842)						2	-	A	MK.1
6D/2242918	-	REGULATOR, oxygen, Mk.21B (Mod 4842)						2	-	A	
	-	SYSTEM, Pilot's L.P. Breathing (EB8.71.345) (Mod 3825)						-	-	-	MK.1.2
	EBAS143/15/H	CLIP, hose						2	-		MK.2
	Normalair										
6D/2242061	O.P.3650	CONNECTOR, flanged	Attachment of connector to bracket					2	-	C	MK.2
28D/9436920	A25/1C	Bolt, 2BA						4	-	C	
28M/1278190	AGS2001/C1	Nut, 2BA						4	-	C	
28W/9419475	SP15/C	Washer, 2BA						4	-	C	
32589	EB8.71.579	HOSE, anti-kink, to personal services connector (Pre Mod 3413)						1	-	C	MK.2
32590	EB8.71.581	HOSE, anti-kink, to personal services connector (Mod 3097)						1	-	C	MK.2
	EB8.71.595	HOSE, anti-kink, to personal services (Mod 3413)	Make from 32C/702					1	-	IM	MK.2
28504	EB8.71.441	PIPE, 1 in. o/d, regulator to joint aft of seat						1	-	C	MK.2
28505	EB8.71.443	PIPE, 1 in. o/d, joint aft of seat to joint above cabin floor						1	-	C	MK.2
28506	EB8.71.445	PIPE, 1 in. o/d, joint above cabin floor to joint at pilot's floor						1	-	C	MK.2
28569	EB8.71.433	SLEEVE, connecting, $\frac{7}{8}$ in. i/d (Make from 32C/445)						1	-	IM	MK.2
28572	EB8.71.447	SLEEVE, connecting, 1 in. i/d (Make from 32C/376)						3	-	IM	MK.2
28573	EB8.71.457	STRUT, Personal Services Assembly						1	-	C	MK.2
		Spares for:-									
32222	EB8.71.571	STRUT, services support	Attachment of strut to bulkhead					1	-	C	MK.2
28D/9133012	A25/3C	Bolt, 2BA						1	-	C	
	EB8.71.457/A	Tube, distance, $\frac{1}{4}$ in. o/d x 22g x 2 in. long						1	L54	IM	MK.2
28W/9419475	SP15/C	Washer, 2BA	Attachment of strut to connector					2	-	C	
28D/1009984	A25/7B	Bolt, 4BA						1	-	C	
28M/1278189	AGS2001/B1	Nut, 4BA						1	-	C	
28W/9419474	SP15/B	Washer, 4BA						1	-	C	

RESTRICTED

SERVICES
OXYGEN SYSTEM

Ref. No	Part No.	Description						No. off	Material Specification	Class of Eqt. M.R. or L.M.	Plate No.
		1	2	3	4	5	6				
	-	SYSTEM, Navigator's L.P. Breathing (EB8.71.487)(Mod 3824)						-	-	-	MF.1 MF.2
		Spares for:-									
28565	EB8.71.417	BRACKET, hose support						1	-	C	MK.2
6D/2244061	Normalair OP.3650	CONNECTOR, flanged						2	-	C	MK.2
31504	EB8.71.525	HOSE, anti-kink (Pre Mod 3413)						1	-	C	MK.2
31505	EB8.71.527	HOSE, anti-kink						1	-	C	MK.2
	EB8.71.593	HOSE, anti-kink (Mod 3413) (Make from 32C/702)						1	-	LM	MK.2
32624	EB8.71.591	PIPE, regulator to hose (Mod 3215)						1	-	C	MK.2
	EB8.71.447	SLEEVE, connecting, 1 in. 1/d (Make from 32C/376)						1	-	LM	MK.2
32222	EB8.71.571	STRUT, services support						1	-	C	MK.2
28D/9133012	A25/3C	Attachment of strut to bracket						1	-	C	
28M/1278190	AGS2001/C1	Bolt, 2BA						1	-	C	
	EB8.71.487/A	Nut, 2BA						1	-	C	
28W/9419475	SF15/C	Tube, distance, $\frac{1}{2}$ in. x 22g x 2 in. long						1	L54	LM	MK.2
28D/1009984	A25/7B	Washer, 2BA						2	-	C	
28M/1278189	AGS2001/B1	Attachment of strut to connector						1	-	C	
	EB8.71.487/B	Bolt, 4BA						1	-	C	
28W/9419474	SF15/B	Nut, 4BA						1	-	C	
28F/4051548	AGS1102/BB	Tube, distance, $\frac{1}{2}$ in. o/d x 18g x .15 in. long						2	L54	LM	MK.2
6D/2244127	-	Washer, 4BA						2	-	C	
6D/7155104	-	UNION, cone body, $\frac{5}{16}$ in.						1	-	C	
28D/9133011	A25/2C	VALVE, non-return, Mk.1						2	-	C	MK.1
28M/1278190	AGS2001/C1	VALVE, oxygen, master, Mk.10A						2	-	B	MK.1
	-	Attachment of master valve to pressure bulkhead						2	-	C	
	-	Bolt, 2BA						2	-	C	
	-	Nut, stiff, 2BA						2	-	C	
	-	OXYGEN SYSTEM IN CENTRE FUSELAGE (EB8.71.207)						-	-	-	
		Spares for:-									
32271	EB8.71.549	CLIP, support, charging hose o/w, Swing bolt (Mod 2945)						1	-	C	MK.3
6D/2243528	-	CONNECTOR, 2-way						17	-	C	MK.1
6D/2243645	-	CONNECTOR, 3-way						1	-	C	MK.1
28F/9157962	AGS1112/B	CONNECTOR, bulkhead						4	-	C	MK.1
28D/1008149	A25/2B	Attachment of connector to bulkhead						6	-	C	
28M/1278189	AGS2001/B1	Bolt, 4BA						6	-	C	
981	ERAS20/2DR	Nut, 4BA						6	-	C	
28F/9128928	AGS1115/2	Tab, locking						2	-	C	MK.1
		Plate, washer						1	-	C	

SERVICES
OXYGEN SYSTEM

Ref. No.	Part No.	Description						No. off	Material Specification	Class of Equip M. R. or L.M.	Plate No.
		1	2	3	4	5	6				
30016	E.88.71.257	PIPE, $\frac{3}{8}$ in. o/d, connection frame 20-21A to connection aft frame 21B (starboard)						1	—	C	MK.3
30017	E.88.71.259	PIPE, $\frac{3}{8}$ in. o/d, connection aft frame 21B to fuselage side (starboard)						1	—	C	MK.3
30018	E.88.71.261	PIPE, $\frac{3}{8}$ in. o/d, connection from fuselage side to first connection on floor member (starboard)						1	—	C	MK.3
30019	E.88.71.263	PIPE, $\frac{3}{8}$ in. o/d, first connection on floor member to second connection (starboard)						1	—	C	MK.3
30020	E.88.71.265	PIPE, $\frac{3}{8}$ in. o/d, second connection on floor members to first connection port side						1	—	C	MK.3
30021	E.88.71.267	PIPE, $\frac{3}{8}$ in. o/d, connection on floor member port to tee-piece						1	—	C	MK.3
30022	E.88.71.269	PIPE, $\frac{3}{8}$ in. o/d, tee-piece to fuselage side						1	—	C	MK.3
30023	E.88.71.271	PIPE, $\frac{3}{8}$ in. o/d, tee-piece to connection at frame 12B (port)						1	—	C	MK.3
30032	E.88.71.289	PIPE, $\frac{3}{8}$ in. o/d, connection at frame 12 to filter						1	—	C	MK.3
30031	E.88.71.287	PIPE, $\frac{3}{8}$ in. o/d, filter to charging valve						1	—	C	MK.3
6D/2313	—	VALVE, oxygen, master, Mk. 10A						1	—	B	MK.3
28D/12513	A25/2C	Attachment of master valve to structure						2	—	C	
28W/3098	AGS162/C	Bolt, 2BA						2	—	C	
		Washer, spring, 2BA						2	—	C	

Ref. No	Part No.	Description						No. off	Material Specification	Class of Equip M. R. or L.M.	Plate No.
		1	2	3	4	5	6				

RESTRICTED

SERVICES
OXYGEN SYSTEM

Canberra P.R. Mk.9

Ref. No	Part No.	Description						No. off	Material Specification	Class of Eqpt. M.R. of L.M.	Plate No.
		1	2	3	4	5	6				
	-	DRIP TRAY, Charging Valve, Frame 21, Assembly (Mod 2945) (EB8.71.531) Spares for:-						-	-	-	
32275	EB8.71.533	DRIP TRAY						1	L59	C	MK.3
32272	EB8.71.537	GROMMET, rubber						1	-	C	MK.3
32273	EB8.71.539	GROMMET, rubber						1	-	C	MK.3
32274	EB8.71.535	RING, split, retaining Attachment of grommets and retaining ring to drip tray						1	L72	C	MK.3
28D/1214865	AS1246/2B	Bolt, 4BA						4	-	C	
28W/9419474	SP15/B	Washer, 4BA						4	-	C	
6D/574	-	FILTER, H.P. pipeline, oxygen						1	-	C	MK.3
1128	EBAS69/2	GASKET, bulkhead connector						4	Neo-K-Tex	C	MK.1
6D/642	-	LABEL, filter unit						1	-	C	
30030	EB8.71.285	PIPE, $\frac{5}{16}$ in. o/d frame 12 to connection between frames 12 and 12C (port)						1	-	C	MK.3
30029	EB8.71.283	PIPE, $\frac{3}{16}$ in. o/d frame 12-12C and connection frames 12D and 13 (port)						1	-	C	MK.3
30028	EB8.71.281	PIPE, $\frac{3}{16}$ in. o/d connection frames 12-12C and connection aft frame 15 (port)						1	-	C	MK.3
30027	EB8.71.279	PIPE, $\frac{3}{16}$ in. o/d connection aft frame 15 to connection forward frame 18 (port)						1	-	C	MK.3
30026	EB8.71.277	PIPE, $\frac{3}{16}$ in. o/d connection forward 15 to connection frame 20-21A (port)						1	-	C	MK.3
30025	EB8.71.275	PIPE, $\frac{3}{16}$ in. o/d connection frames 20-21A to connector aft frame 12B (port)						1	-	C	MK.3
30024	EB8.71.273	PIPE, $\frac{3}{16}$ in. o/d connection aft frame 12B to fuselage side (port)						1	-	C	MK.3
30011	EB8.71.247	PIPE, $\frac{3}{16}$ in. o/d frame 12 to connection forward frame 13 (starboard)						1	-	C	MK.3
30012	EB8.71.249	PIPE, $\frac{3}{16}$ in. o/d connection forward frame 13 to connection aft frame 13 (starboard)						1	-	C	MK.3
30013	EB8.71.251	PIPE, $\frac{3}{16}$ in. o/d connection aft frame 13 to connection aft frame 15 (starboard)						1	-	C	MK.3
30014	EB8.71.253	PIPE, $\frac{3}{16}$ in. o/d connection aft frame 15 to connection forward frame 18 (starboard)						1	-	C	MK.3
30015	EB8.71.255	PIPE, $\frac{3}{16}$ in. o/d connection forward frame 18 to connection frames 20-21A (starboard)						1	-	C	MK.3

RESTRICTED

RESTRICTED

SERVICES

Canberra P.R. Mk.9

OXYGEN SYSTEM

Ref. No	Part No.	Description						No. off	Material Specification	Class of Eqp. M.R. or L.M.	Plate No.
		1	2	3	4	5	6				
30016	EB8.71.257	PIPE, $\frac{3}{16}$ in.	o/d, connection frame 20-21A to connection aft frame 21B (starboard)				1	-	C	MK.3	
30017	EB8.71.259	PIPE, $\frac{3}{16}$ in.	o/d, connection aft frame 21B to fuselage side (starboard)				1	-	C	MK.3	
30018	EB8.71.261	PIPE, $\frac{3}{16}$ in.	o/d, connection from fuselage side to first connection on floor member (starboard)				1	-	C	MK.3	
30019	EB8.71.263	PIPE, $\frac{3}{16}$ in.	o/d, first connection on floor member to second connection (starboard)				1	-	C	MK.3	
30020	EB8.71.265	PIPE, $\frac{3}{16}$ in.	o/d, second connection on floor members to first connection port side				1	-	C	MK.3	
30021	EB8.71.267	PIPE, $\frac{3}{16}$ in.	o/d, connection on floor member port to tee-piece				1	-	C	MK.3	
30022	EB8.71.269	PIPE, $\frac{3}{16}$ in.	o/d, tee-piece to fuselage side				1	-	C	MK.3	
30023	EB8.71.271	PIPE, $\frac{1}{16}$ in.	o/d, tee-piece to connection at frame 12B (port)				1	-	C	MK.3	
30032	EB8.71.289	PIPE, $\frac{3}{16}$ in.	o/d, connection at frame 12 to filter				1	-	C	MK.3	
30031	EB8.71.287	PIPE, $\frac{3}{16}$ in.	o/d, filter to charging valve				1	-	C	MK.3	
6D/2313	-	VALVE, oxygen, master Mk.10A					1	-	B	MK.3	
28D/9133011	A25/2C	Attachment of master valve to structure Bolt, 2BA					2	-	C		
28W/1007983	AGS162/C	Washer, spring, 2BA					2	-	C		
-	-	OXYGEN SYSTEM IN WING (PORT) (EB8.71.209)					-	-	-		
		Spares for:-									
30033	EB8.20.3065	CHANNEL, strap group					10	-	C	MK.4	
28D/1011247	A25/13B	Attachment of channel to structure Bolt, $\frac{1}{2}$ in. BSF					1	-	C		
28W/9480017	AGS2001/E1	Nut, $\frac{1}{2}$ in. BSF					1	-	C		
	AS2811/6/100	Tube, distance					1	-	LM		
28W/9418921	SP13/E	Washer, $\frac{1}{2}$ in.					1	-	C		
6D/575	-	CONNECTION, 2-way					2	-	C	MK.1	
6L/9428896	-	CYLINDER, gas, oxygen, 750 litre					5	-	A	MK.4	
30039	EB8.71.231	PIPE, $\frac{3}{16}$ in.	o/d (charging) between bottles, ribs 4-6				1	-	C	MK.4	
30038	EB8.71.229	PIPE, $\frac{3}{16}$ in.	o/d (discharge) between bottles, ribs 4-6				1	-	C	MK.4	
30037	EB8.71.227	PIPE, $\frac{3}{16}$ in.	o/d (charging) between bottles, ribs 5 and 3 (aft)				1	-	C	MK.4	
30036	EB8.71.225	PIPE, $\frac{3}{16}$ in.	o/d (discharge) between bottles, ribs 5 and 3 (aft)				1	-	C	MK.4	

RESTRICTED

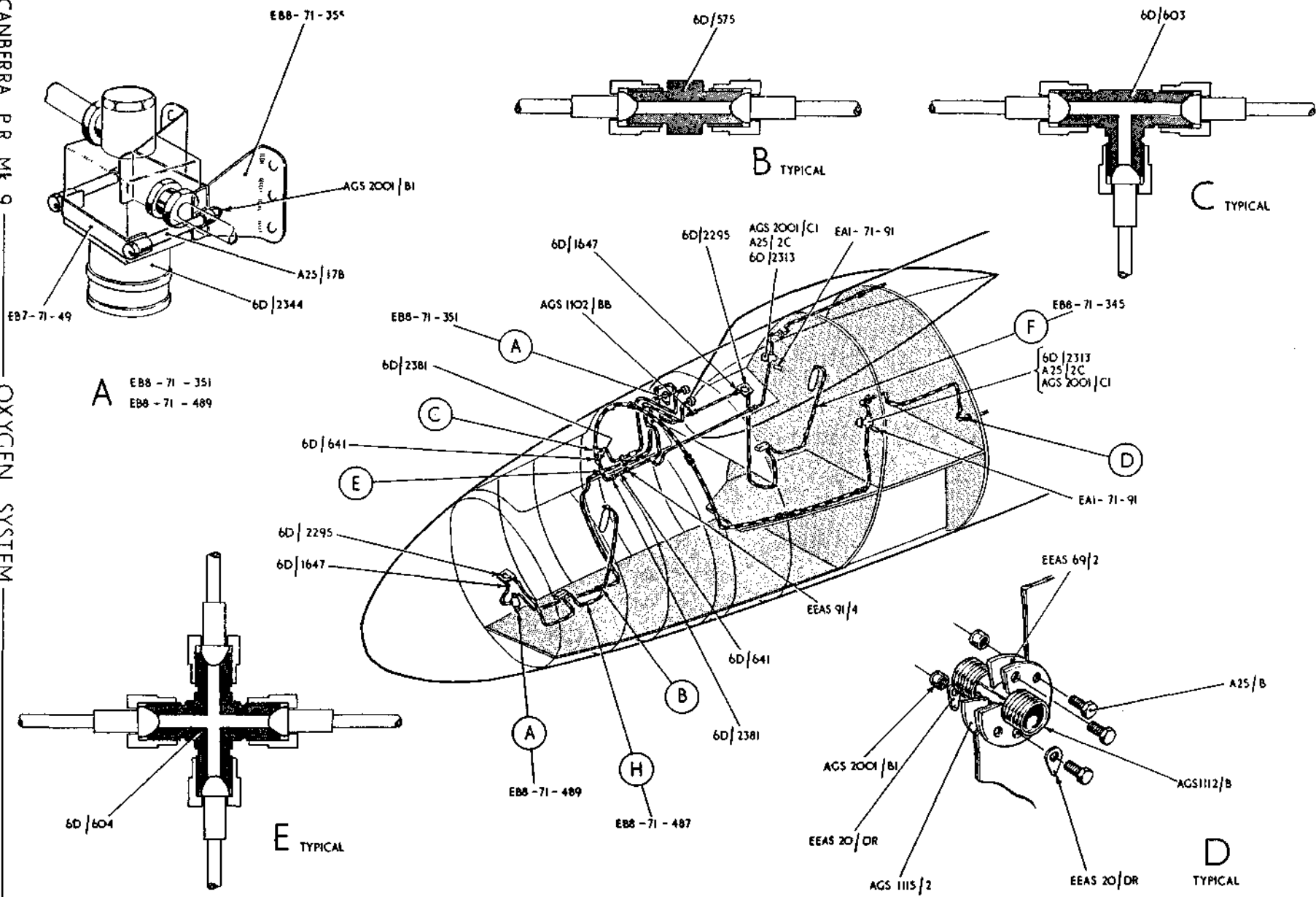
SERVICES
OXYGEN SYSTEM

Ref. No	Part No.	Description						No. off	Material Specification	Class of Eqpt. M.F. or L.M.	Plate No.
		1	2	3	4	5	6				
30035	EB8.71.223	PIPE,				$\frac{3}{16}$ in.	o/d (charging and discharge) centre and aft bottles, ribs 3-4	2	-	C	MK.4
30034	EB8.71.221	PIPE,				$\frac{3}{16}$ in.	o/d (charging and discharge) forward and centre bottles, ribs 3-4	2	-	C	MK.4
30043	EB8.71.239	PIPE,				$\frac{3}{16}$ in.	o/d (charging) forward bottles to connection ribs 2-3	1	-	C	MK.4
30042	EB8.71.237	PIPE,				$\frac{3}{16}$ in.	o/d (discharge) forward bottle to connection ribs 2-3	1	-	C	MK.4
30041	EB8.71.235	PIPE,				$\frac{3}{16}$ in.	o/d (charging) connection ribs 2-3 to fuselage skin	1	-	C	MK.4
30040	EB8.71.233	PIPE,				$\frac{3}{16}$ in.	o/d (discharge) connection ribs 2-3 to fuselage skin	1	-	C	MK.4
30044	EB8.20.3011	STRAP, group						10	-	C	MK.4
30045	EB8.20.3053	STRAP, group						10	-	C	MK.4
28D/1011247	A25/13E	Bolt,				$\frac{1}{4}$ in.	BSF	1	-	C	
28M/9480017	AGS2001/E1	Nut,				$\frac{1}{4}$ in.	BSF	1	-	C	
	AS2811/6/100	Tube, distance						1	-	LM	
28W/9418921	SP13/E	Washer,				$\frac{1}{4}$ in.		1	-	C	
30046	EB8.20.3063	TIE BOLT, strap adjusting						10	-	C	MK.4
	-	OXYGEN SYSTEM IN WING STARBOARD (EB8.71.210)					Spares for:-	-	-		
30033	EB8.20.3065	CHANNEL, strap group						10	-	C	MK.4
28D/1011247	A25/13E	Bolt,				$\frac{1}{4}$ in.	BSF	1	-	C	
28M/9480017	AGS2001/E1	Nut,				$\frac{1}{4}$ in.	BSF	1	-	C	
	AS2811/6/100	Tube, distance						1	-	LM	
28W/9418921	SP13/E	Washer,				$\frac{1}{4}$ in.		1	-	C	
6D/574	-	CONNECTION, 2-way						2	-	C	MK.1
6D/9428896	-	CYLINDER, gas, oxygen, 750 litre						5	-	A	MK.4
30050	EB8.71.232	PIPE,				$\frac{3}{16}$ in.	o/d (charging) between bottles, ribs 4-6	1	-	C	MK.4
30049	EB8.71.230	PIPE,				$\frac{3}{16}$ in.	o/d (discharge) between bottles, ribs 4-6	1	-	C	MK.4
30048	EB8.71.228	PIPE,				$\frac{3}{16}$ in.	o/d (charging) between bottles, ribs 5 and 3 (aft)	1	-	C	MK.4
30047	EB8.71.226	PIPE,				$\frac{3}{16}$ in.	o/d (discharge) between bottles, ribs 5 and 3 (aft)	1	-	C	MK.4
30035	EB8.71.223	PIPE,				$\frac{3}{16}$ in.	o/d (charging and discharge) centre and aft bottles, ribs 3-4	2	-	C	MK.4

RESTRICTED

SERVICES
OXYGEN SYSTEM

Ref. No	Part No.	Description						No. off	Material Specification	Class of Eqp. M.R. or L.M.	Plate No.
		1	2	3	4	5	6				
30034	EB8.71.221	PIPE,				$\frac{3}{16}$ in.	o/d (charging and discharge) centre and aft bottles, ribs 3-4	2	-	C	Mk.4
30054	EB8.71.240	PIPE,				$\frac{3}{16}$ in.	o/d (charging) forward bottles to connection ribs 2-3	1	-	C	Mk.4
30053	EB8.71.238	PIPE,				$\frac{3}{16}$ in.	o/d (discharge) forward bottle to connection ribs 2-3	1	-	C	Mk.4
30052	EB8.71.236	PIPE,				$\frac{3}{16}$ in.	o/d (charging) connection ribs 2-3 to fuselage skin	1	-	C	Mk.4
30051	EB8.71.234	PIPE,				$\frac{3}{16}$ in.	o/d (discharge) connection ribs 2-3 to fuselage skin	1	-	C	Mk.4
30044	EB8.20.3011	STRAP, group						10	-	C	Mk.4
30045	EB8.20.3053	STRAP, group					Attachment of strap to bracket	10	-	C	Mk.4
28D/1011247	A25/13E	Bolt,				$\frac{1}{4}$ in.	BSF	1	-	C	
28M/9480017	AGS2001/E1	Nut,				$\frac{1}{4}$ in.	BSF	1	-	C	
	AS2811/6/100	Tube, distance						1	-	LM	
28W/9418921	SP13/E	Washer,				$\frac{1}{4}$ in.		1	-	C	
30046	EB8.20.3063	TIE BOLT,					strap adjusting	10	-	C	Mk.4



A EBB-71-351
EBB-71-489

B TYPICAL

C TYPICAL

F

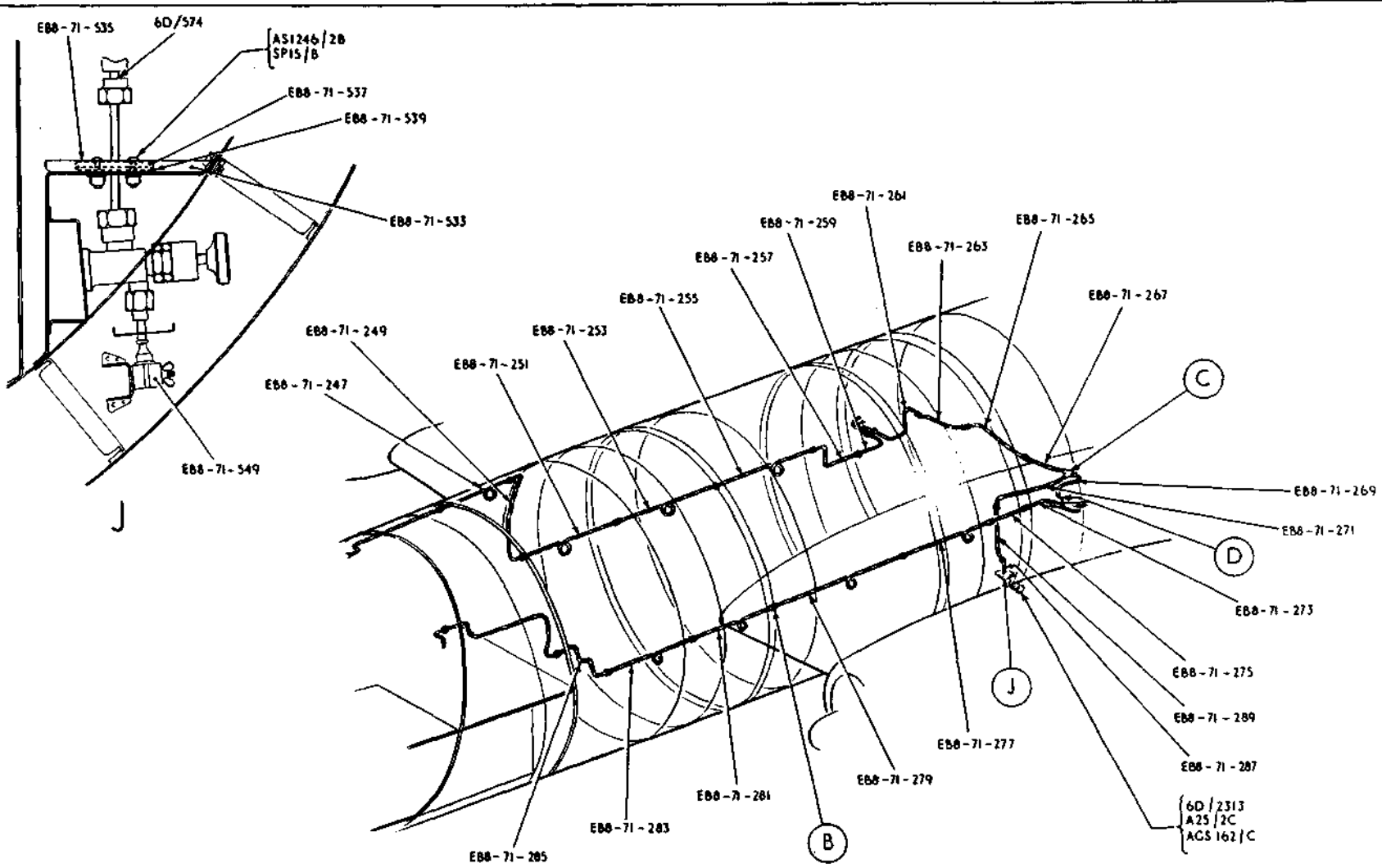
6D/2313
A25/2C
AGS 2001/C1

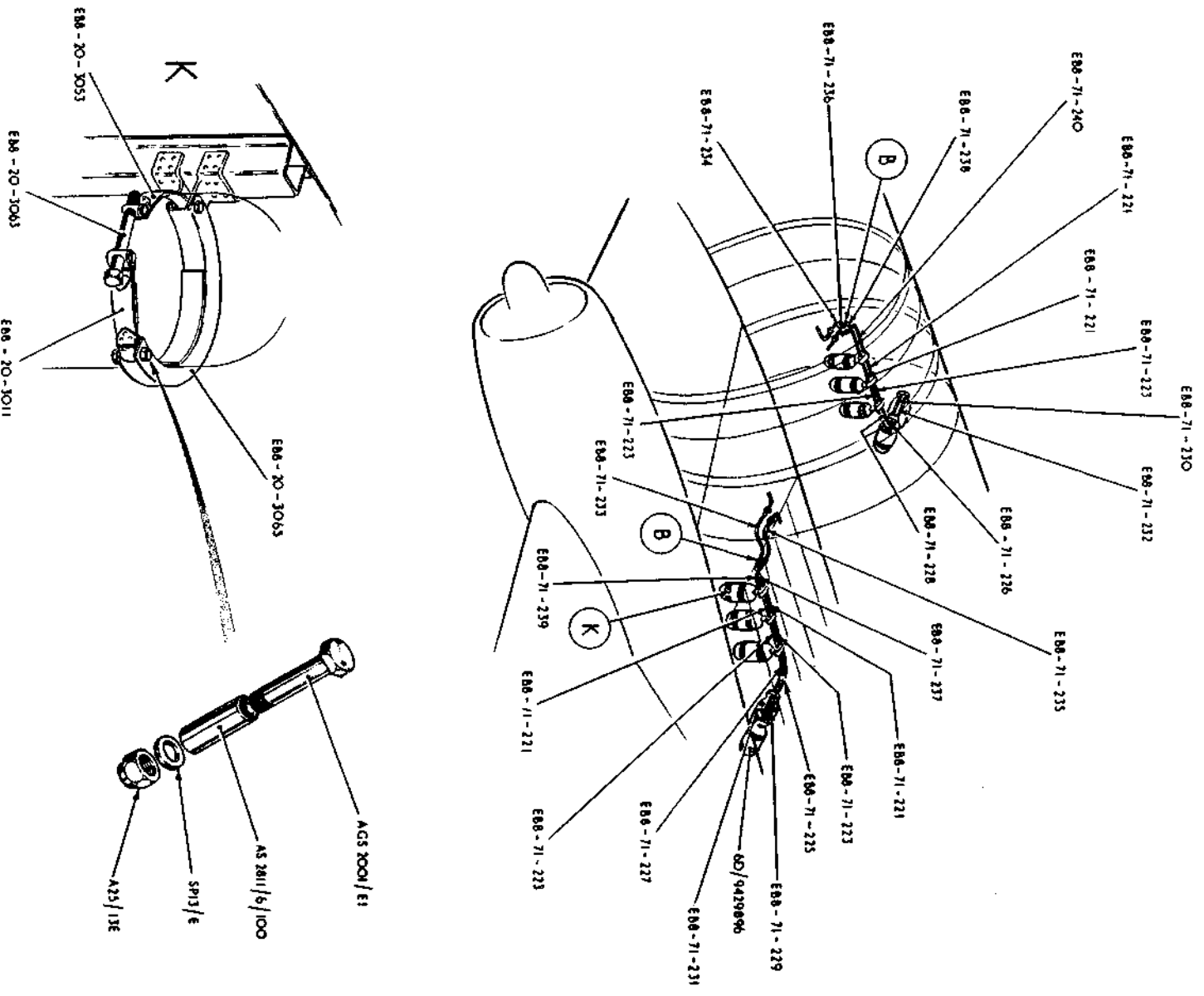
D

D TYPICAL

E TYPICAL

CANBERRA P.R. MK. 9 OXYGEN SYSTEM





This file was downloaded
from the RTFM Library.

Link: www.scottbouch.com/rtfm

Please see site for usage terms,
and more aircraft documents.

