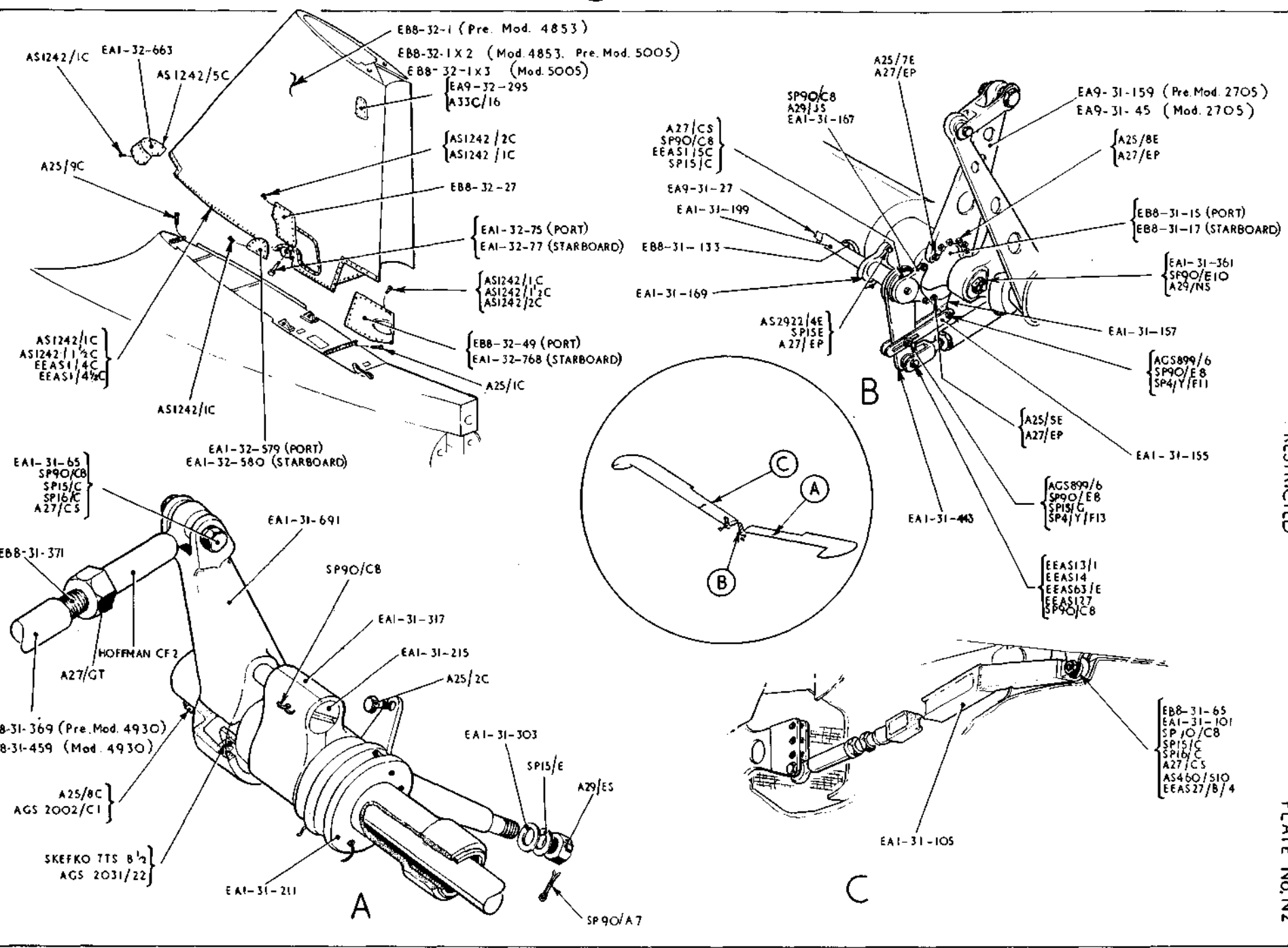


CANBERRA PR MK 9

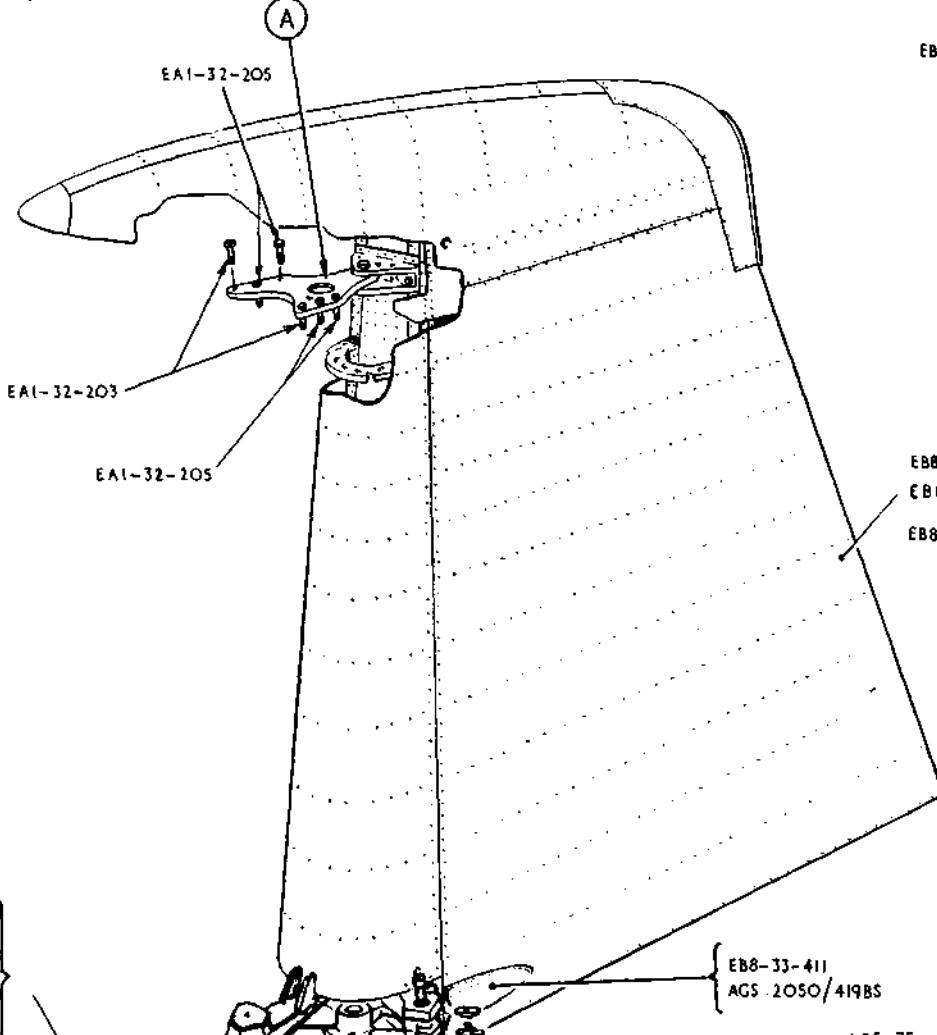
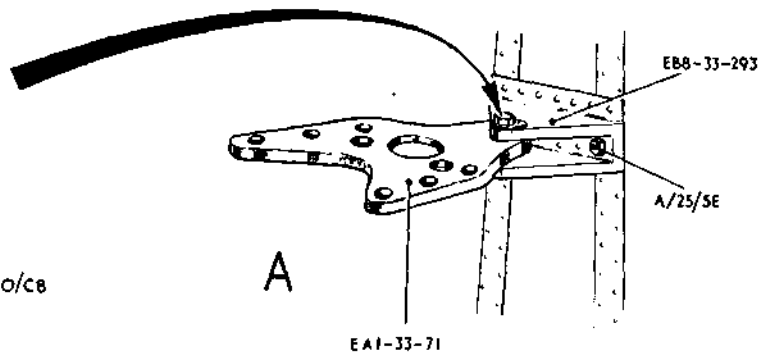
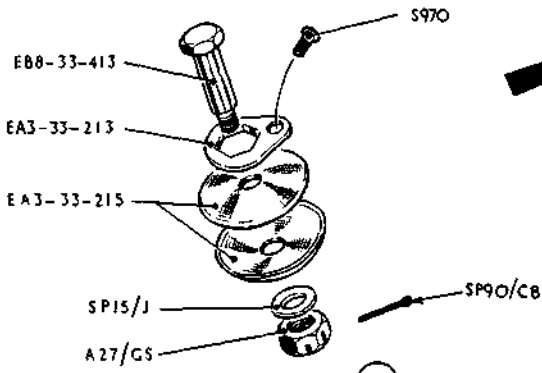
TAIL UNIT



ISSUED WITH A.L.38

RESTRICTED

PLATE No. N2

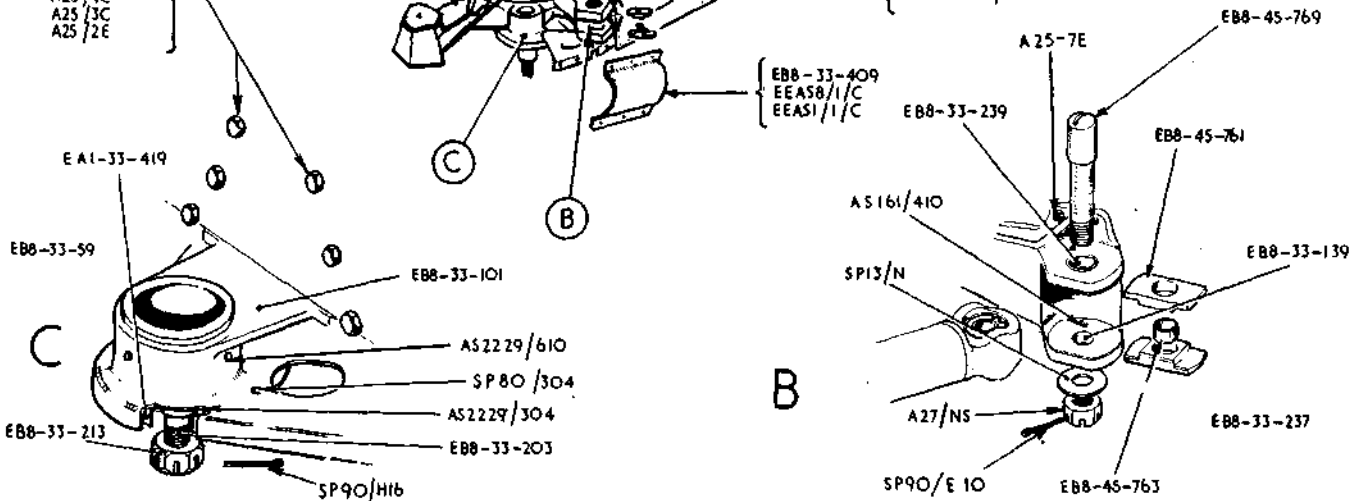


EBB-33-1 (Pre. Mod. 4853)  
 EBB-33-1X 4 (Mod. 4853  
 Pre. Mod. 5005)  
 EBB-33-1X5 (Mod. 5005)

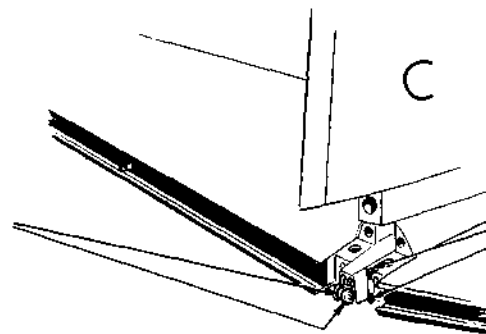
SPI6/C  
 AGS2002/C1  
 AS1142/3C  
 A25/2C  
 A25/4C  
 A25/3C  
 A25/2E

EBB-33-411  
 AGS 2050/419BS

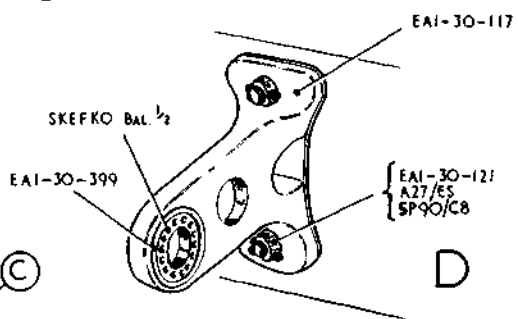
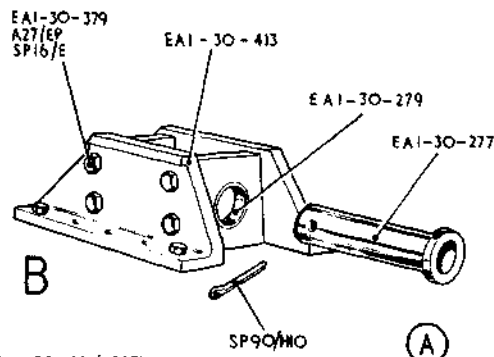
EBB-33-409  
 EEAS8/1/C  
 EEAS1/1/C



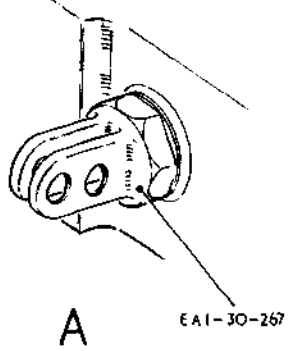
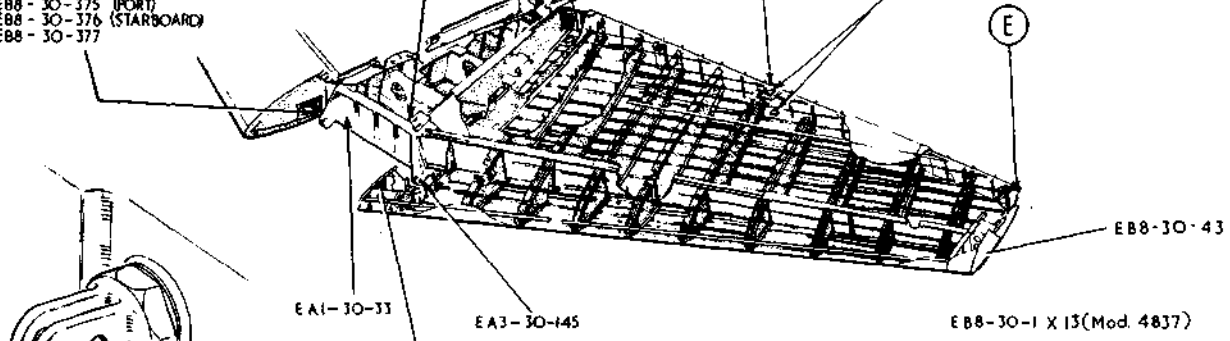
(PORT) EAI-31-307  
 (STARBOARD) EAI-31-308  
 SKEFKO CBA5  
 AGS 2030/57  
 A25/4G  
 A27/6S  
 SP90/C8  
 EAI-31-441



EAI-30-293 (UPPER)  
 EBB-30-347 (LOWER)  
 AS1246/3C  
 AA/BQ26/01/2  
 SP16/C



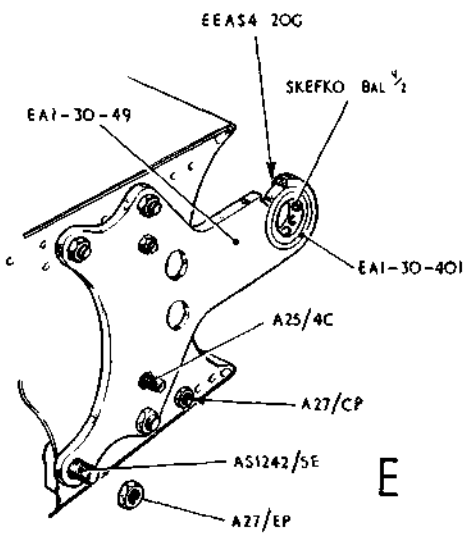
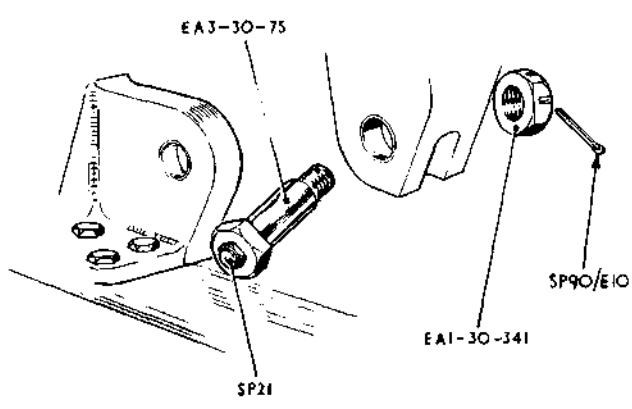
EBB-30-89 (PORT)  
 EBB-30-90 (STARBOARD)  
 EBB-30-339 (PORT)  
 EBB-30-340 (STARBOARD)  
 EBB-30-375 (PORT)  
 EBB-30-376 (STARBOARD)  
 EBB-30-377



EAI-30-267

EAI-30-33  
 EA3-30-445  
 EBB-30-99 (PORT)  
 EBB-30-100 (STARBOARD)

EAI-30-383  
 AS 2230/40S



This file was downloaded  
from the RTFM Library.

Link: [www.scottbouch.com/rtfm](http://www.scottbouch.com/rtfm)

Please see site for usage terms,  
and more aircraft documents.

