

CONTROLS
ENGINE CONTROLS IN CENTRE FUSELAGE

Part Number	Description	No. Off	Mati. Spec.	Plate No.	
					1
EB6.47.297	CONTROLS, ENGINE IN CENTRE FUSELAGE ASSEMBLY	-	-		
EA1.47.203	. CONTROLS AT FRAME 13, ASSEMBLY Spares for:-	1	-	CA1/1	
EA1.47.177	.. BRACKET, fairlead attachment, L.H.	1	-	CA3/1	
EA1.47.179	.. BRACKET, fairlead attachment, R.H.	1	-	CA3/2	
EA3.47.61	.. BRACKET, lever attachment, L.H.	1	-	CA3/2A	
EA3.47.63	.. BRACKET, lever attachment, L.H.	1	-	CA3/2B	
EA3.47.57	.. BRACKET, lever attachment, R.H.	1	-	CA3/2C	
EA3.47.59	.. BRACKET, lever attachment, R.H.	1	-	CA3/2D	
EA1.47.309	.. FAIRLEAD, half, for control tubes ATTACHING parts for EA1.47.309 (per pair):-	4	LFS21	CA2/1	
A25/10C	.. Bolt, 2BA	2	-	CA2/2	
A27CP	.. Nut 2BA	2	-	CA2/3	
EA1.47.307	.. FAIRLEAD, half for control tubes Attaching parts for EA1.47.307 (per pair):-	2	LFS21	CA3/3	
A25/10C	.. Bolt, 2BA	2	-	CA3/3A	
A27CP	.. Nut, 2BA	2	-	CA3/3B	
EA3.47.65	.. LEVER, throttle control, L.H. (Pre-Mod 5028)	1	-	CA3/4	
EA3.47.119	.. LEVER, throttle control, L.H. (Mod 5028)	1	-		
EA3.47.67	.. LEVER, cut-out valve control, L.H. (Pre-Mod 5028)	1	-	CA3/5	
EA3.47.121	.. LEVER, cut-out valve control, L.H. (Mod.5028) Attaching parts for EA3.47.65, EA3.47.67 or EA3.47.119 and EA3.47.121 (per pair):-	1	-		
EEAS13/5	.. Bolt, special	1	S96	CA1/31	
A27ES	.. Nut 1/2" BSF	1	-	CA1/31A	
SP90C7	.. Pin, split 1/16" dia	1	-	CA1/31B	
SP16E	.. Washer	1	-	CA1/31C	
EA3.47.66	.. LEVER, throttle control, R.H (Pre-Mod 5028)	1	-	CA3/6	
EA3.47.120	.. LEVER, throttle control, R.H. (Mod 5028)	1	-		
EA3.47.68	.. LEVER, cut-out valve control, L.H. (Pre-Mod 5028)	1	-	CA3/7	
EA3.47.122	.. LEVER, cut-out valve control, R.H. (Mod 5028) Attaching parts for EA3.47.66, EA3.47.68 or EA3.47.120 and EA3.47.122 (per pair):-	1	-		
EA3.47.73	.. Bolt, special	1	S11	CA1/32	
A27ES	.. Nut, 1/2" BSF	1	-	CA1/32A	
SP90C7	.. Pin, split, 1/16" dia	1	-	CA1/32B	
AS2811/6/020	.. Tube, distance	2	L62	CA1/32C	
SP16E	.. Washer	1	-	CA1/32D	
EA1.47.305	. FAIRLEAD, half, for control tubes Attaching parts for EA1.47.305 (per pair):-	16	LFS21	CA1/2	
A25/12C	. Bolt 2BA	QR	-	CA1/3	
AS1242/14C	. Bolt, 2BA	QR	-	CA1/4	
AGS2001C1/66	. Nut, 2BA	2	-	CA1/5	
EA1.47.535	. Packing	QR	-	CA1/6	
EA1.47.537	. Packing	QR	-	GA1/7	
EA1.47.539	. Packing	QR	-	CA1/8	
SP15C	. Washer	2	-	CA1/9	

CONTROLS

ENGINE CONTROLS IN CENTRE FUSELAGE

Part Number	Description	No. Off	Mati. Spec.	Plate No.	
					1
EB6.47.299	. LEVER ASSEMBLY, AT FRAME 16 L.H. (PRE-MOD 5028)	1	-	CA1/10	
EB6.47.31	. LEVER ASSEMBLY AT FRAME 16 L.H. (MOD 5028) Spares for:-	1	-		
HOFFMAN CBS3	. . BEARING ballrace	2	-	CA1/11	
EA1.47.105	. . BRACKET, top	1	L72	CA1/12	
EA1.47.107	. . BRACKET, bottom	1	DTD160	CA1/13	
EA1.47.123	. . HOUSING, ballrace (Pre-Mod 5028)	2	-	CA1/14	
EA3.47.125	. . HOUSING, ballrace (Mod 5028)	2	-		
EA9.47.131	. . LEVER, SUB-ASSEMBLY (PRE-MOD 5028)	1	-	CA1/15	
EA9.47.211	. . LEVER, SUB ASSEMBLY (MOD 5028) Spares for:-	1	-		
HOFFMAN CJO	. . . BEARING, spherical	2	-	CA1/16	
EA3.47.151	. . . EYE-END, assembly (Pre-Mod 5028)	2	-	CA1/17	
EA3.47.123	. . . EYE-END, assembly (Mod 5028)	2	-		
A27JT	. . . NUT 3/8" BSF, thin	2	-	CA1/18	
EB6.47.300	. LEVER, ASSEMBLY, AT FRAME 16 R.H. (PRE-MOD 5028)	1	-	CA1/19	
EB6.47.32	. LEVER, ASSEMBLY AT FRAME 16 R.H. (Mod 5028) Spares for:-	1	-		
HOFFMAN CBS3	. . BEARING, ballrace	2	-	CA1/20	
EA1.47.106	. . BRACKET, top	1	L72	CA1/21	
EA1.47.108	. . BRACKET, bottom	1	DTD160	CA1/22	
EA1.47.123	. . HOUSING, ballrace (Pre-Mod 5028)	2	-	CA1/23	
EA3.47.125	. . HOUSING, ballrace (Mod 5028)	2	-		
EA9.47.132	. . LEVER, SUB-ASSEMBLY (PRE-MOD 5028)	1	-	CA1/24	
EA9.47.212	. . LEVER, SUB-ASSEMBLY (MOD 5028) Spares for:-	1	-		
HOFFMAN CJO	. . . BEARING, spherical	2	-	CA1/25	
EA3.47.151	. . . EYE-END, assembly (Pre-Mod 5028)	2	-	CA1/26	
EA3.47.123	. . . EYE-END, assembly (Mod 5028)	2	-		
A27JT	. . . NUT 3/8" BSF, thin	2	-	CA1/27	
EA1.47.225	. TUBE, CONTROL, INTERMEDIATE, AFT OF FRAME 13, ASSEMBLY (PRE-MOD 5028)	2	-	CA1/28	
EA3.47.115	. TUBE, CONTROL, INTERMEDIATE, AFT OF FRAME 13, ASSEMBLY (MOD 5028) Spares for:-	2	-		
EA1.47.219	. . EYE-END	1	-	CA1/28A	
EEAS53	. . EYE-END, assembly (Pre-Mod 5028)	1	-	CA1/29	
EA3.47.163	. . EYE-END, assembly (Mod 5028) Attaching parts for Eye-End:-	1	-		
SP28G6	. . Pin, taper	2	-	CA1/30	
EA1.47.227	. TUBE, CONTROL, INTERMEDIATE, THROTTLE AND SHUT-OFF COCK ASSEMBLY (PRE-MOD 5028)	4	-	CA3/8	
EA3.47.117	. TUBE, CONTROL, INTERMEDIATE, THROTTLE AND SHUT-OFF COCK ASSEMBLY (MOD 5028) Spares for:-	4	-		
EEAS53	. . EYE-END, assembly (Pre-Mod 5028)	1	-	CA3/9	
EA3.47.163	. . EYE-END, assembly (Mod 5028)	1	-		
EEAS51	. . FORK-END	1	DTD683	CA3/10	
SP28G6	. . Attaching parts for Eye/Fork-End:- Pin, taper	4	-	CA3/11	

CONTROLS

ENGINE CONTROLS IN CENTRE FUSELAGE

Part Number	Description	No. Off	Mati. Spec.	Plate No.
EA1.47.233	. TUBE, CONTROL, TRANSVERSE CENTRE, AT FRAME 16, ASSEMBLY Spares for:—	2	—	CA2/4
EEAS51	. . FORK-END Attaching parts for EEAS51:—	2	DTD683	CA2/5
SP28G6	. . Pin, taper	4	—	CA2/6
EA1.47.231	. TUBE, CONTROL, TRANSVERSE, LEVER CONNECTING, ASSEMBLY (PRE-MOD 2621)	4	—	
EA4.47.529	. TUBE, CONTROL, TRANSVERSE, LEVER CONNECTING, ASSEMBLY (MOD 2621) (PRE-MOD 5028)	4	—	CA2/7
EA4.47.575	. TUBE, CONTROL, TRANSVERSE, LEVER CONNECTING, ASSEMBLY (MOD 5028) Spares for:—	4	—	
EEAS53	. . EYE-END, assembly (Pre-Mod 5028)	1	—	CA2/8
EA3.47.163	. . EYE-END, assembly (Mod 5028) Attaching parts for EEAS53 and EA3.47.163:—	1	—	
SP28G6	. . Pin, taper	2	—	CA2/9
EEAS50	. . FORK-END	1	DTD683	CA2/10
EEAS234	. . PLUG, end Attaching parts for EEAS234:—	1	DTD683	CA2/11
SP28G6	. . Pin, taper	2	—	CA2/12
EA1.47.249	. TUBE, CONTROL, BETWEEN OPERATING LEVER AND INTERMEDIATE CONTROL TUBE ASSEMBLY (PRE-MOD 2621)	2	—	
EA4.47.531	. TUBE, CONTROL, BETWEEN OPERATING LEVER AND INTERMEDIATE CONTROL TUBE ASSEMBLY (MOD 2621) (PRE-MOD 5028)	2	—	CA2/13
EA4.47.577	. TUBE, CONTROL, BETWEEN OPERATING LEVER AND INTERMEDIATE CONTROL TUBE ASSEMBLY (MOD 5028) Spares for:—	2	—	
EEAS53	. . EYE-END, assembly (Pre-Mod 5028)	1	—	CA2/14
EA3.47.163	. . EYE-END, assembly (Mod 5028)	1	—	
EEAS234	. . PLUG, end Attaching parts for Eye/Plug End:—	1	DTD683	CA2/15
SP28G6	. . Pin, taper	4	—	CA2/16
EA1.47.229	. TUBE, CONTROL, CONNECTING TO LEVER AT FRAME 16, ASSEMBLY (PRE-MOD 2621)	4	—	
EA4.47.535	. TUBE, CONTROL, CONNECTING TO LEVER AT FRAME 16, ASSEMBLY (MOD 2621) Spares for:—	4	—	CA3/12
EEAS50	. . FORK-END, adjustable	1	DTD683	CA3/13
EEAS51	. . FORK-END	1	DTD683	CA3/14
A27JT	. . NUT, $\frac{3}{8}$ " BSF			CA3/14A
EEAS49	. . PLUG, end (Pre-Mod 2621)	1	—	
EEAS234	. . PLUG, end (Mod 2621) Attaching parts for EEAS51 and EEAS234:—	1	DTD683	CA3/15
SP28G6	. . Pin, taper	4	—	CA3/16

CONTROLS

ENGINE CONTROLS IN CENTRE FUSELAGE

Part Number	Description	No. Off	Mati. Spec.	Plate No.
EA1.47.223	. TUBE, CONTROL, SHUT-OFF COCK AND THROTTLE ASSEMBLY (PRE-MOD 2621)	2	-	
EA9.47.209	. TUBE, CONTROL, SHUT-OFF COCK AND THROTTLE ASSEMBLY (MOD 2621)	2	-	CA3/17
	Spares for:-			
EA3.47.53	. . FORK-END, adjustable	1	-	CA3/17A
A27JT	. . NUT, 3/8" BSF	1	-	CA3/17B
EEAS49	. . PLUG, end (Pre-Mod 2621)	1	-	
EEAS234	. . PLUG, end	1	DTD683	CA3/18
	Attaching parts for EEAS234:-			
SP28G6	. . Pin, taper	2	-	CA3/19
	Attaching parts for Control Tubes:-			
EEAS12/1	. Bolt, special	2	S11	CA2/17
EEAS63	. Nut, special	2	S11	CA2/18
SP90C5	. Pin, split	2	-	CA2/18A
EEAS28/3DU	. Washer	2	-	CA2/19
SP15C	. Washer	2	-	CA2/19A

R
R
R

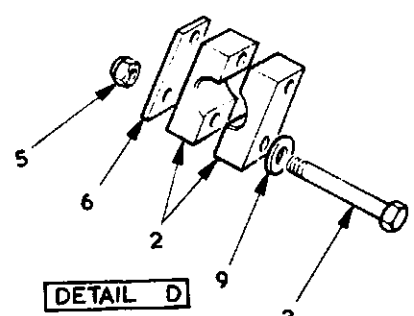
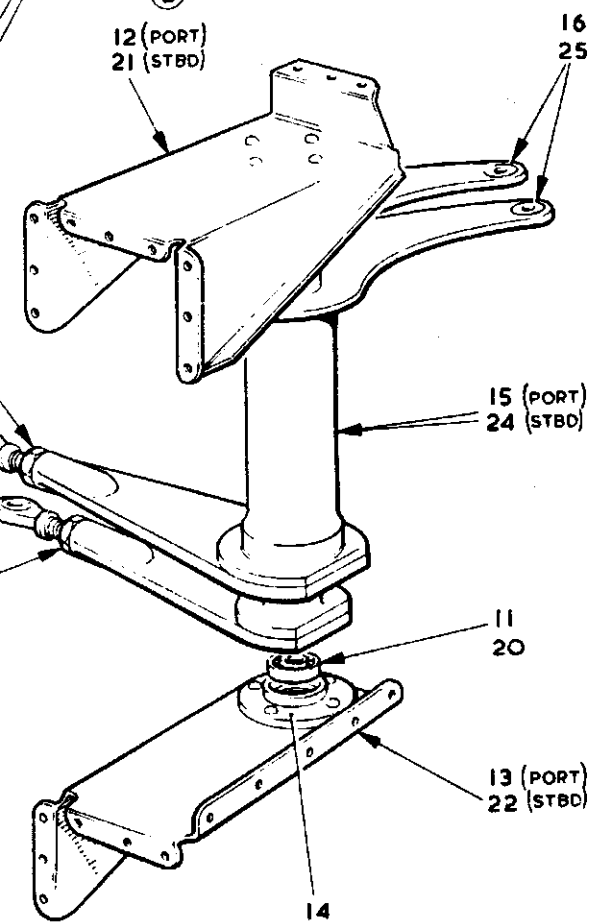
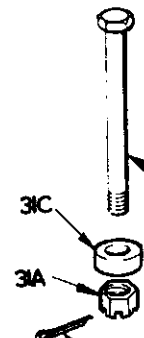
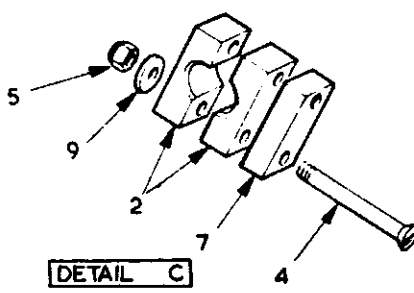
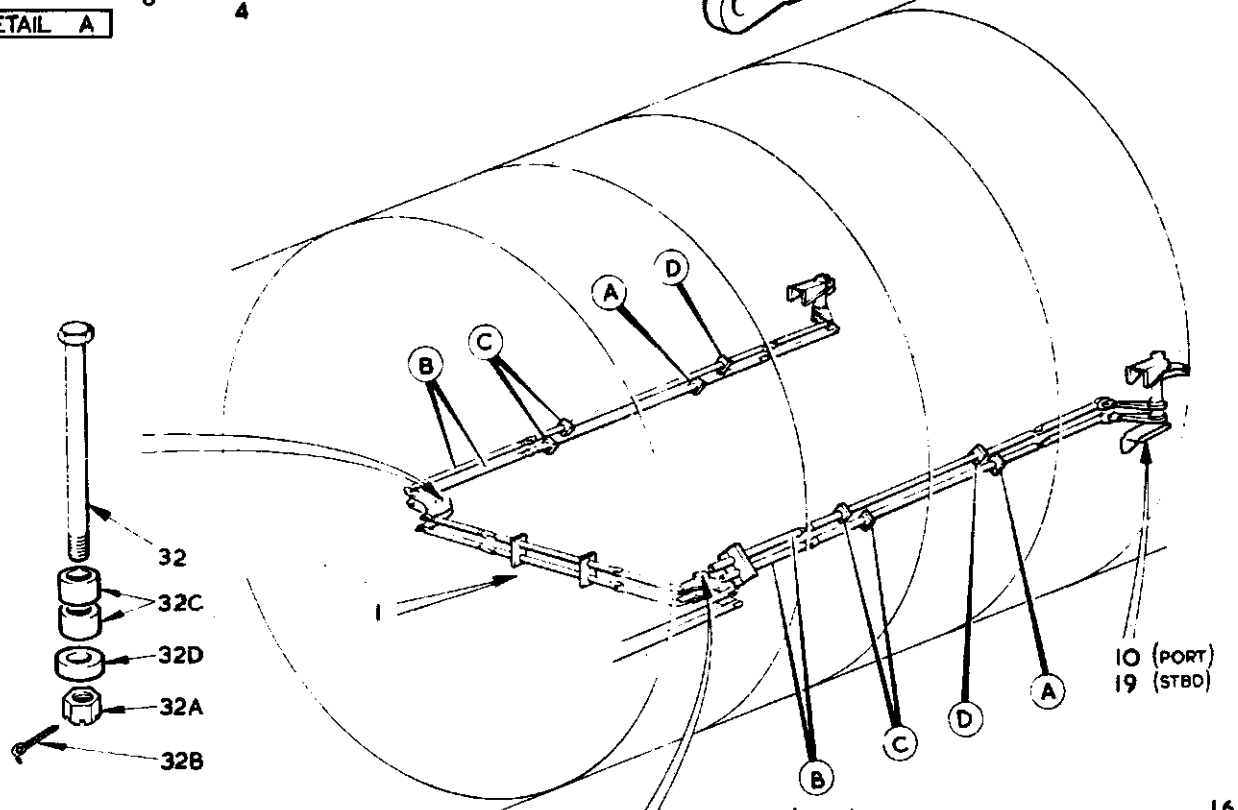
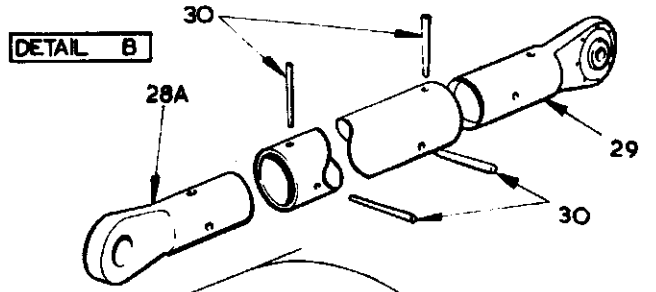
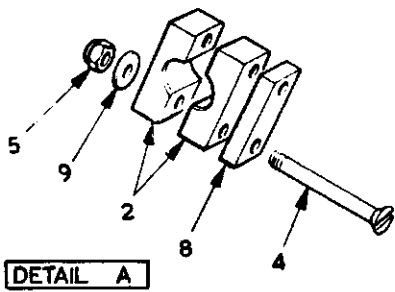


FIG. 1 ENGINE CONTROLS IN CENTRE FUSELAGE

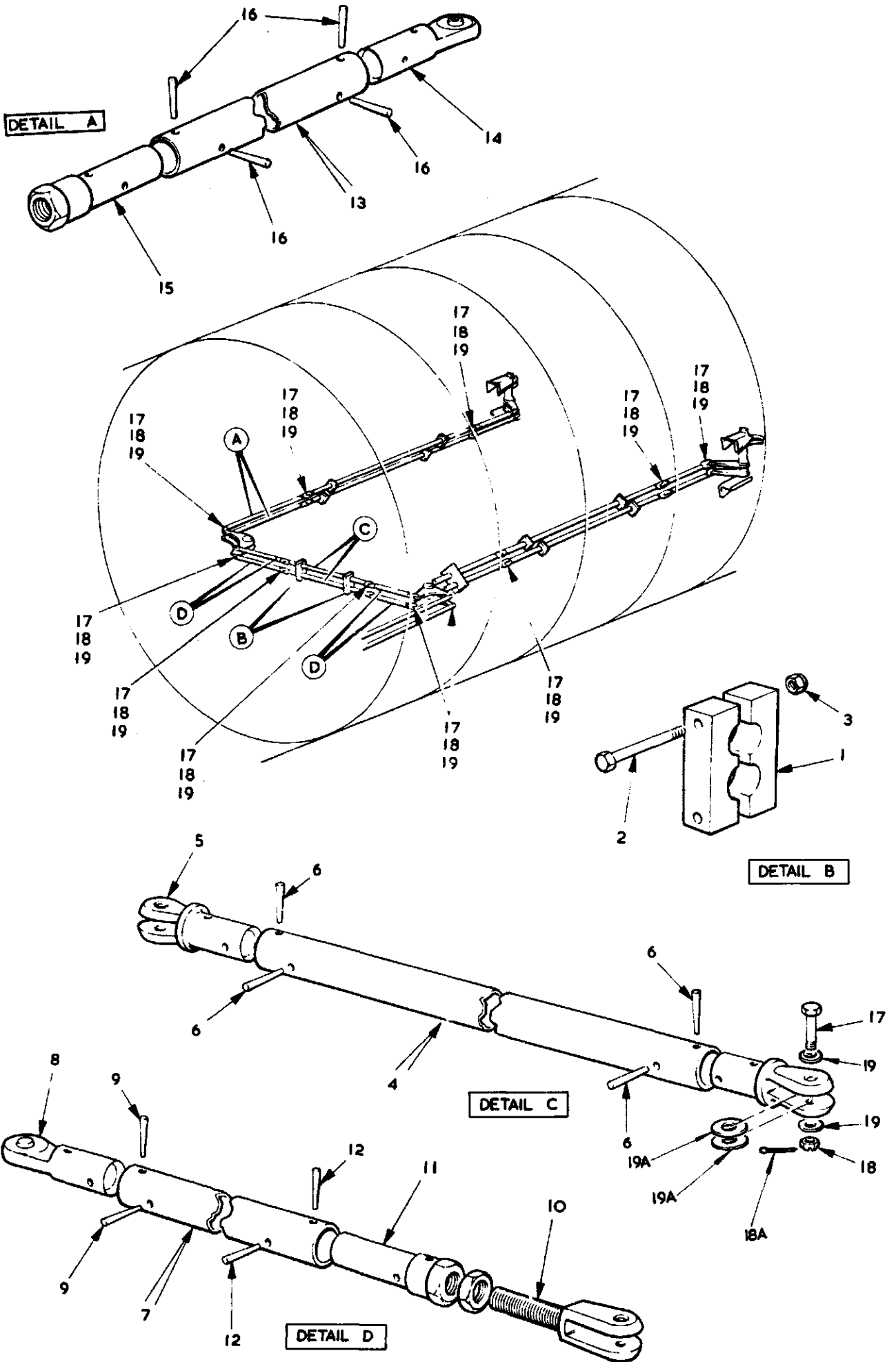


FIG 2 ENGINE CONTROLS IN CENTRE FUSELAGE

CODERS S Z

SECT CA

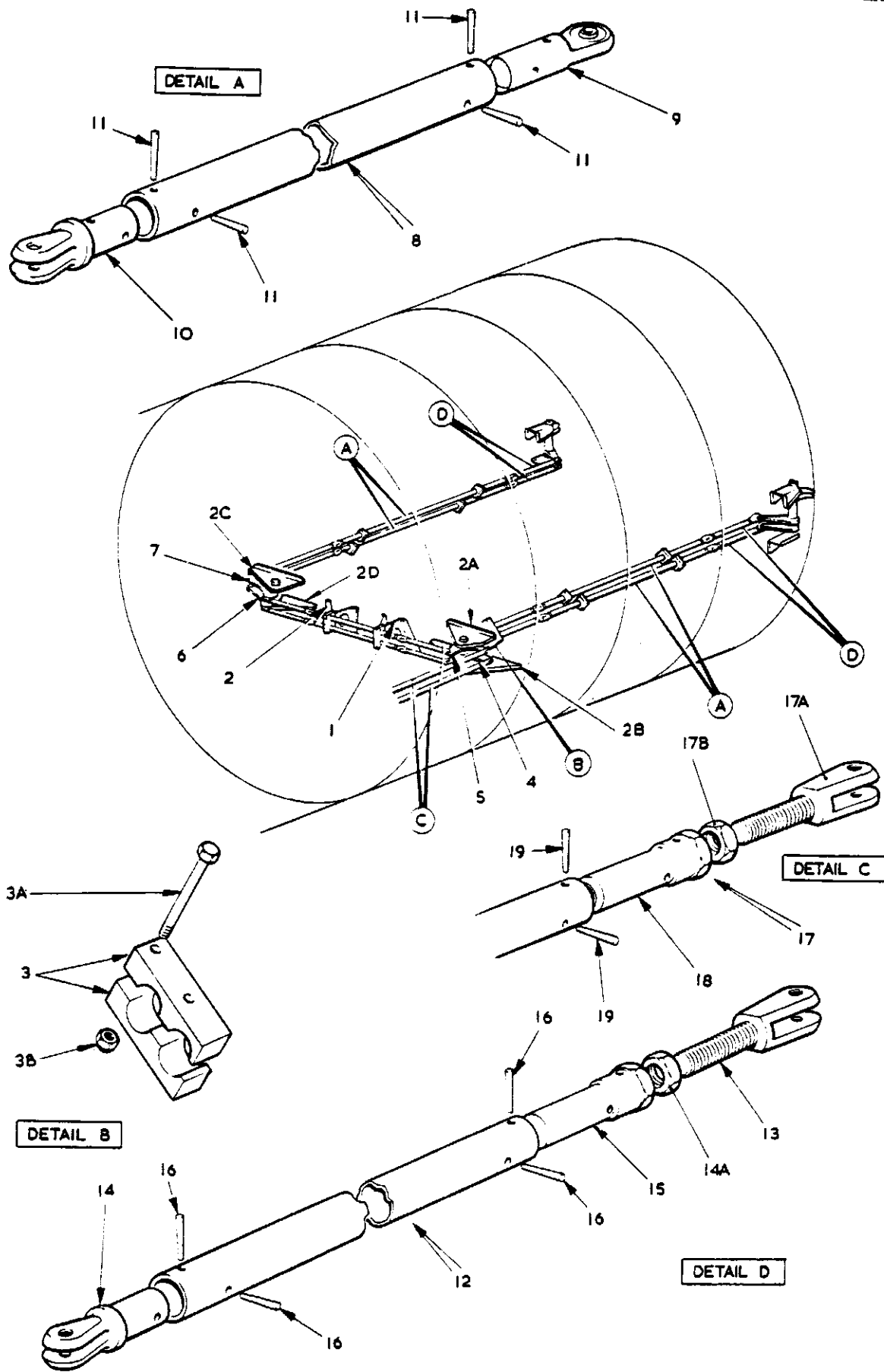


FIG3 ENGINE CONTROLS IN CENTRE FUSELAGE

This file was downloaded from the RTFM Library.
Link: www.scottbouch.com/rtfm

Please see site for usage terms, and more aircraft documents.

