

CONTROLS

ENGINE CONTROLS IN NOSE FUSELAGE

Part Number	Description	No. Off	Mati. Spec.	Plate No.
EG4.47.103	CONTROLS, ENGINE IN NOSE FUSELAGE ASSEMBLY Spares for:—	—	—	CB1/1
EA1.47.245	. CLAMP Attaching parts for EA1.47.245:—	4	L40	CB1/2
A25-3C	. Bolt, 2BA, hex. head	2	—	CB1/3
AGS2001C1-66	. Nut, stiff, 2BA	2	—	CB1/4
EA1.47.357	. CLEAT Attaching parts for EA1.47.357:—	2	L40	CB1/5
A25-7C	. Bolt, 2BA, hex. head	3	—	CB1/6
AGS2001C1-66	. Nut, stiff, 2BA	3	—	CB1/7
SIMMONDS CORSEY SP15-7	. CLIP Attaching parts for SP15-7:—	28	—	CB1/8
A25-7C	. Bolt, 2BA, hex. head	2	—	CB1/9
A25-9C	. Bolt, 2BA, hex. head	2	—	CB1/10
AGS2001C1-66	. Nut, stiff, 2BA	2	—	CB1/11
SIMMONDS CORSEY SP15-10	. CLIP, rigid engine control rods Attaching parts for SP15-10:—	8	—	CB1/12
A25-10E	. Bolt, 1-4" BSF hex. head	2	—	CB1/13
AGS2001E1-66	. Nut, stiff, 1-4" BSF	2	—	CB1/14
EA1.47.251	. CONTROL, engine fuel shut-off cock, L.H. (Simmonds Corsey No 7)	1	—	CB1/15
EA1.47.253	. CONTROL, engine throttle, L.H. (Simmonds Corsey No 7)	1	—	CB1/16
EA1.47.255	. CONTROL, engine fuel shut-off cock, R.H. (Simmonds Corsey No 7)	1	—	CB1/17
EA1.47.257	. CONTROL, engine throttle, R.H. (Simmonds Corsey No 7)	1	—	CB1/18
AGS899-4	Attaching parts for EA1.47.251, 253, 255 & 257:—			
SP4YD9	. Collar, shackle pin	1	—	CB1/19
SP90C7	. Pin, shackle	1	—	CB1/20
	. Pin, split, 1-16" dia	1	—	CB1/21
Z11809	. GROMMET, at pressure bulkhead	4	—	CB1/22
EG4.47.113	. MOUNTING, THROTTLE BOX Spares for:—	—	—	CB2/1
EG4.47.105	. . . BOX, THROTTLE ASSEMBLY Spares for:—	1	—	CB2/2
GJ1	. . . BEARING	4	—	CB2/2A
EB7.81.1589	. . . BRACKET, cable clip Attaching parts for EB7.81.1589:—	1	L72	CB2/3
A25-1B	. . . Bolt, 4BA, hex. head	4	—	CB2/4
AGS2001B1	. . . Nut, stiff, 4BA	4	—	CB2/5
EA1.47.165	. . . BRACKET, micro switch Attaching parts for EA1.47.165:—	1	L72	CB2/6
A25-2B	. . . Bolt, 4BA, hex. head	4	—	CB2/7
AGS2001B1	. . . Nut, stiff, 4BA	4	—	CB2/8
SP15B	. . . Washer, 4BA plain	4	—	CB2/9
EA1.47.173	. . . BUSH, tapped, shut-off cock lever locking	1	DTD126A	CB2/10
EA1.47.293	. . . BUSH, tapped, throttle lever locking	1	DTD126A	CB2/11
	. . . CABLE, dupren 4	QR	—	CB1/23
	. . . CABLE, dupren 6	QR	—	CB1/24

R

Page CB.2		CONTROLS			AP101B-0415-3A			
ENGINE CONTROLS IN NOSE FUSELAGE								
Part Number	Description					No. Off	Mati. Spec.	Plate No.
	1	2	3	4	5			
EA1.47.137	. . .	CASTING, throttle box				1	Mag. Alloy	CB2/12
AS3180-11B	. . .	CLIP, cable				1	—	CB2/13
		Attaching parts for AS3180-11B:—						
AGS2001B1	. . .	Nut, stiff, 4BA				1	—	CB2/14
A31B12	. . .	Screw, 4BA, cheese head				1	—	CB2/15
EB6.81.2345	. . .	COVER, switch				1	DTD683	CB2/16
EEAS111-4	. . .	FERRULE				1	—	CB1/25
EB6.81.2347	. . .	GUARD, cable				1	L72 X 22 SWG	CB2/77
SCC78702-1	. . .	HOUSING, switch (Make from EB6.81.2343 Ref 12820)				1	DTD683	CB2/17
		Attaching parts for SCC78702-1:—						
AS1242-4B	. . .	Bolt, 4BA, csk. head				1	—	CB2/18
A33C16	. . .	Screw, 2BA, csk. head				1	—	CB2/19
A33B16	. . .	Screw, 4BA, csk. head				1	—	CB2/20
EA1.47.157	. . .	KNOB, throttle, lever locking				1	L40	CB2/21
EA1.47.159	. . .	KNOB, shut-off cock lever locking				1	L40	CB2/22
EA3.81.1971	. . .	KNOB, shut-off cock lever, L.H. red				1	DTD683	CB2/23
		Attaching parts for EA3.81.1971:—						
A33B16	. . .	Screw, 4BA, csk. head				1	—	CB2/24
A33C20	. . .	Screw, 2BA, csk. head				1	—	CB2/25
EA3.81.1972	. . .	KNOB, shut-off cock lever, R.H. green				1	DTD683	CB2/26
		Attaching parts for EA3.81.1972:—						
A33B16	. . .	Screw, 4BA, csk. head				1	—	CB2/27
A33C20	. . .	Screw, 2BA, csk. head				1	—	CB2/28
AS1908C	. . .	KNOB, throttle control lever, L.H. red				1	—	CB2/29
		Attaching parts for AS1908C:—						
A27CT	. . .	Nut, 2BA, thin				1	—	CB2/30
A33C28	. . .	Screw, 2BA, csk. head				1	—	CB2/31
EA3.47.77	. . .	LEVER, throttle control, L.H. assembly (Pre Mod 5028)				1	—	CB2/32
EA3.47.137	. . .	LEVER, throttle control, L.H. assembly (Mod 5028)				1	—	
EA3.47.99	. . .	LEVER, shut-off cock control L.H. assembly (Pre Mod 5028)				1	—	CB2/33
EA3.47.139	. . .	LEVER, shut-off cock control L.H. assembly (Mod 5028)				1	—	
EA3.47.100	. . .	LEVER, shut-off cock control R.H. assembly (Pre Mod 5028)				1	—	CB2/34
EA3.47.140	. . .	LEVER, shut-off cock control R.H. assembly (Mod 5028)				1	—	
EA3.47.78	. . .	LEVER, throttle control, R.H. assembly (Pre Mod 5028)				1	—	CB2/35
EA3.47.138	. . .	LEVER, throttle control, R.H. assembly (Mod 5028)				1	—	
A27CP	. . .	NUT, 2BA, plain, for lever stop screw				8	—	CB2/36
508-2-07707-200	. . .	OUTLET, gasket				1	—	CB1/26
508-1-07627-003	. . .	OUTLET, straight				1	—	CB1/27
EA1.47.295	. . .	PIN, special shut-off cock, control lever clamp				1	L40	CB2/37
		Attaching parts for EA1.47.295:—						
A27NP	. . .	Nut, 1-2" BSF				1	—	CB2/38
SP90E8	. . .	Pin, split				1	—	CB2/39
SP15N	. . .	Washer				1	—	CB2/40
EA1.47.297	. . .	PIN, special throttle lever control clamps				1	L40	CB2/41
EA1.47.303	. . .	PLATE, guard				1	—	CB2/42
		Attaching parts for EA1.47.303:—						
A32B8	. . .	Screw, 4BA, round head				6	—	CB2/43
A32B16	. . .	Screw, 4BA, round head				3	—	CB2/44
SP47B	. . .	Washer, 4BA, spring				9	—	CB2/45
EA3.47.87	. . .	PLATE, reaction, control assembly				1	—	CB2/46
EA3.47.91	. . .	PLATE, reaction, shut-off cock, assembly				1	—	CB2/47

AP101B-0415-3A

CONTROLS
ENGINE CONTROLS IN NOSE FUSELAGE

Part Number	Description	No. Off	Mati. Spec.	Plate No.
EA3.47.93 PLATE, reaction, shut-off cock	1	DTD124	CB2/28
EA3.47.101 PLATE, reaction, throttle control	1	DTD124	CB2/49
	Attaching parts for EA3.47.87, EA3.47.91, EA3.47.93 and EA3.47.101:—			
A25-1B Bolt, 4BA	1	—	CB2/49A
AGS2001B1 Nut, 4BA	1	—	CB2/49B
SP15B Washer	1	—	CB2/49C
EA3.47.145 PLATE, tapped, link locking	1	DTD124A	CB2/50
	Attaching parts for EA3.47.145:—			
AS1242-4B Bolt, 4BA, csk. head	2	—	CB2/51
AGS2001B1 Nut, stiff, 4BA	2	—	CB2/52
SP15B Washer, 4BA, plain	2	—	CB2/53
EA3.81.1997 PLATE, push switch protection	2	L72	CB2/54
	Attaching parts for EA3.81.1997:—			
A44Z8 Screw, 8BA, round head	3	—	CB2/55
BARBER & COLEMAN 1202 Washer, 8BA, shakeproof	3	—	CB2/56
EA3.81.1977 PLATE, stop	1	DTD610 X18SWG	CB2/78
508-1-40036-320 PLUG, Mk. 4 25 way	2	—	CB1/28
508-1-11778-003 RING, clamp	1	—	CB1/29
508-2-07713-200 RING, sealing	1	—	CB1/30
A32C28 SCREW, stop for levers	6	—	CB2/57
A32C40 SCREW, stop for levers	2	—	CB2/58
EA3.47.85 SHIM, at throttle levers	2	Lam Alum	CB2/59
EA3.47.103 SHIM, at shut-off cock levers	2	Lam Alum	CB2/60
EA3.81.1995 SLEEVE, at relight switches	2	LPT56	CB2/61
EEAS146A3-4 SLEEVE, yellow	20	—	CB1/31
EEAS146B3-4 SLEEVE, yellow	1	—	CB1/32
EEAS146C1 SLEEVE, yellow	1	—	CB1/33
EEAS146L3-4 SLEEVE, pink	1	—	CB1/34
HELLERMAN FRT62HT36 SLEEVE black 3-16 i/d	QR	—	CB1/38
C5162Y SWITCH, push button, shut-off cock levers	2	—	CB2/62
	Attaching parts for C5162Y:—			
A43Z10 Screw, 8BA, cheese head	2	—	CB2/63
BARBER & COLEMAN 1202 Washer, 8BA, shakeproof	2	—	CB2/64
PAGE ENG. B1640 SWITCH, push throttle lever	1	—	CB2/64A
	Attaching parts for B1640:—			
A33B16 Screw, 4BA	1	—	CB2/64B
A33C16 Screw, 2BA	1	—	CB2/64C
R MS5752 SWITCH, micro (Mod 5262)	1	—	CB2/65
	Attaching parts for Ref. 5CW1085884 and MS5752:—			
A25-8B Bolt, 4BA, hex. head	2	—	CB2/66
AGS2001B1 Nut, stiff, 4BA	2	—	CB2/67
SP15B Washers, 4BA, plain	2	—	CB2/68
EA3.47.83 TUBE, bearing at throttle levers	1	A1 Alloy T4	CB2/69
EA3.47.81 WASHER, special friction at throttle levers	2	Ferodo FF	CB2/670
EA3.47.89 WASHER, special friction at shut-off cock levers	2	Ferodo FF	CB2/71
	Attaching parts for EG4.47.105:—			
A25-2C Bolt, 2BA, hex. head	3	—	CB2/72
AS1246-2C Bolt, 2BA, round head	2	—	CB2/73
AS1246-3C Bolt, 2BA, round head	6	—	CB2/74
AS1246-4C Bolt, 2BA, round head	5	—	CB2/75
AGS2001C1-66 Nut, stiff, 2BA	5	—	CB2/76

CONTROLS

ENGINE CONTROLS IN NOSE FUSELAGE

Part Number	Description	No. Off	Matl. Spec.	Plate No.
EB6.47.5	. PACKING, for rigid edge	2	—	CB1/43
EB6.47.7	. PACKING, for rigid clip	2	—	CB1/44
EA1.47.217	. SUPPORTS, ENGINE CONTROL FRAME 12	—	—	CB1/45
	Spares for:—			
EA1.47.213	. . BRACKET, L.H.	1	—	CB1/46
EA1.47.214	. . BRACKET, R.H.	1	—	CB1/47
EA1.47.215	. . BRACKET, L.H.	1	—	CB1/48
EA1.47.216	. . BRACKET, R.H.	1	—	CB1/49
EB6.47.9	. . CHANNEL	1	—	CB1/50
SIMMONDS CORSEY SP15/7	. . CLIP, rigid	4	—	CB1/51
	Attaching parts for SP15/7:—			
A25/7C	. . Bolt, 2BA hex head	2	—	CB1/52
A25/8C	. . Bolt, 2BA hex. head	2	—	CB1/53
A25/11C	. . Bolt, 2BA hex. head	2	—	CB1/54
AGS2001C1/66	. . Nut, stiff 2BA	2	—	CB1/55
EA1.47.565	. . SHIM	4	—	CB1/56
EA1.47.241	. . WASHER, packing	1	—	CB1/57
EA1.47.237	. . WASHER, packing	1	—	CB1/58

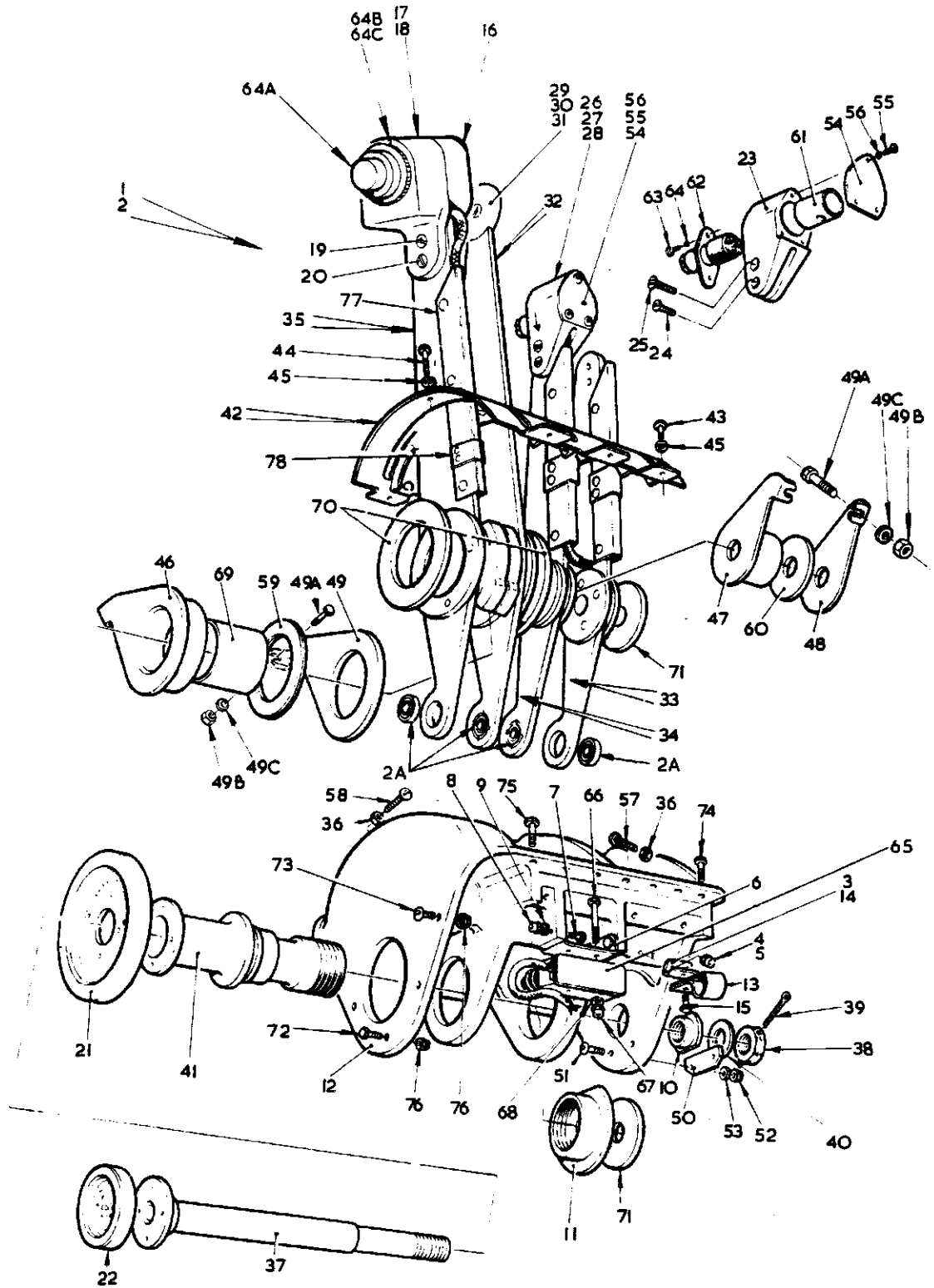


FIG.2 ENGINE CONTROLS IN NOSE FUSELAGE

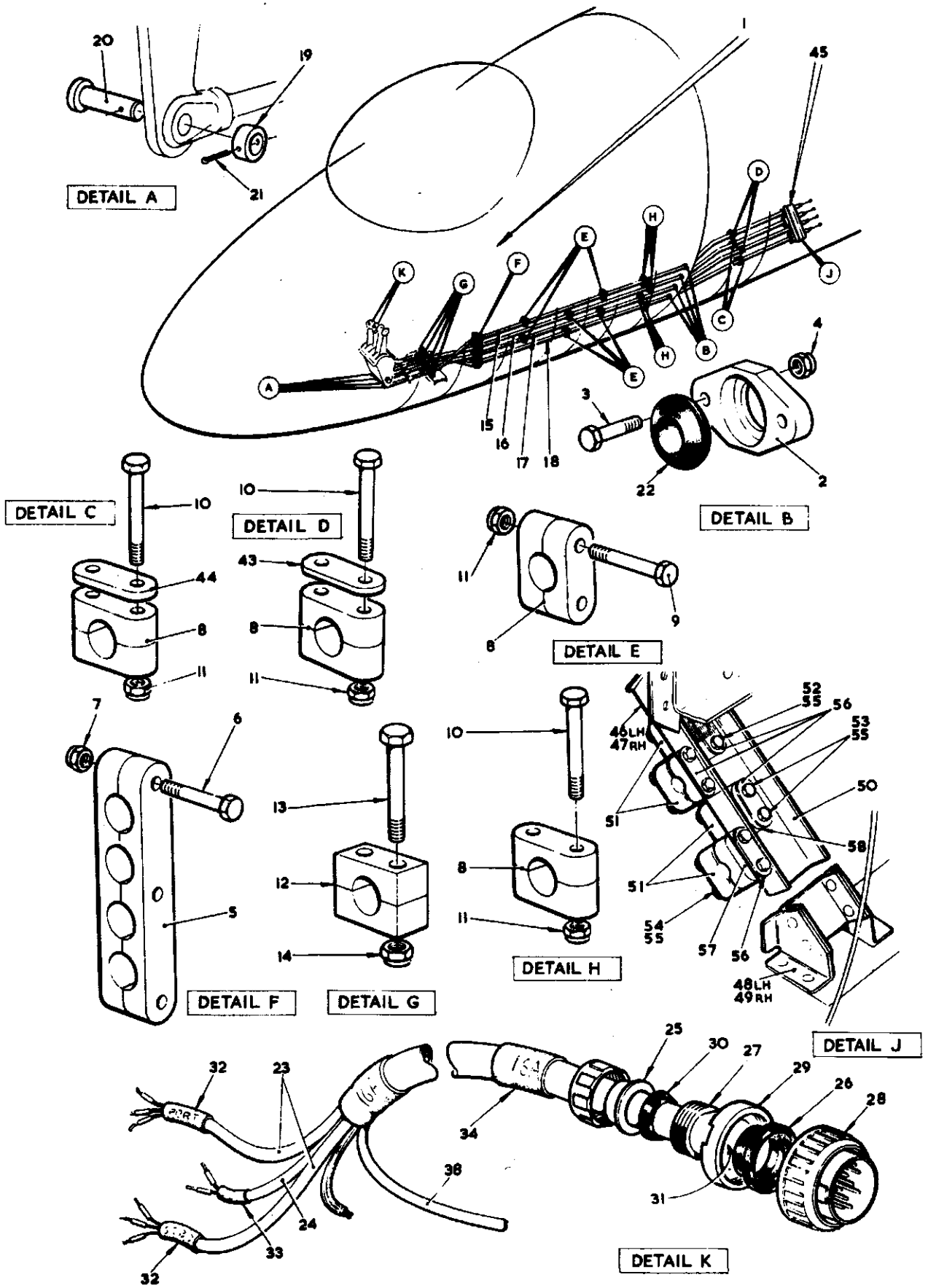


FIG 1. ENGINE CONTROLS IN NOSE FUSELAGE

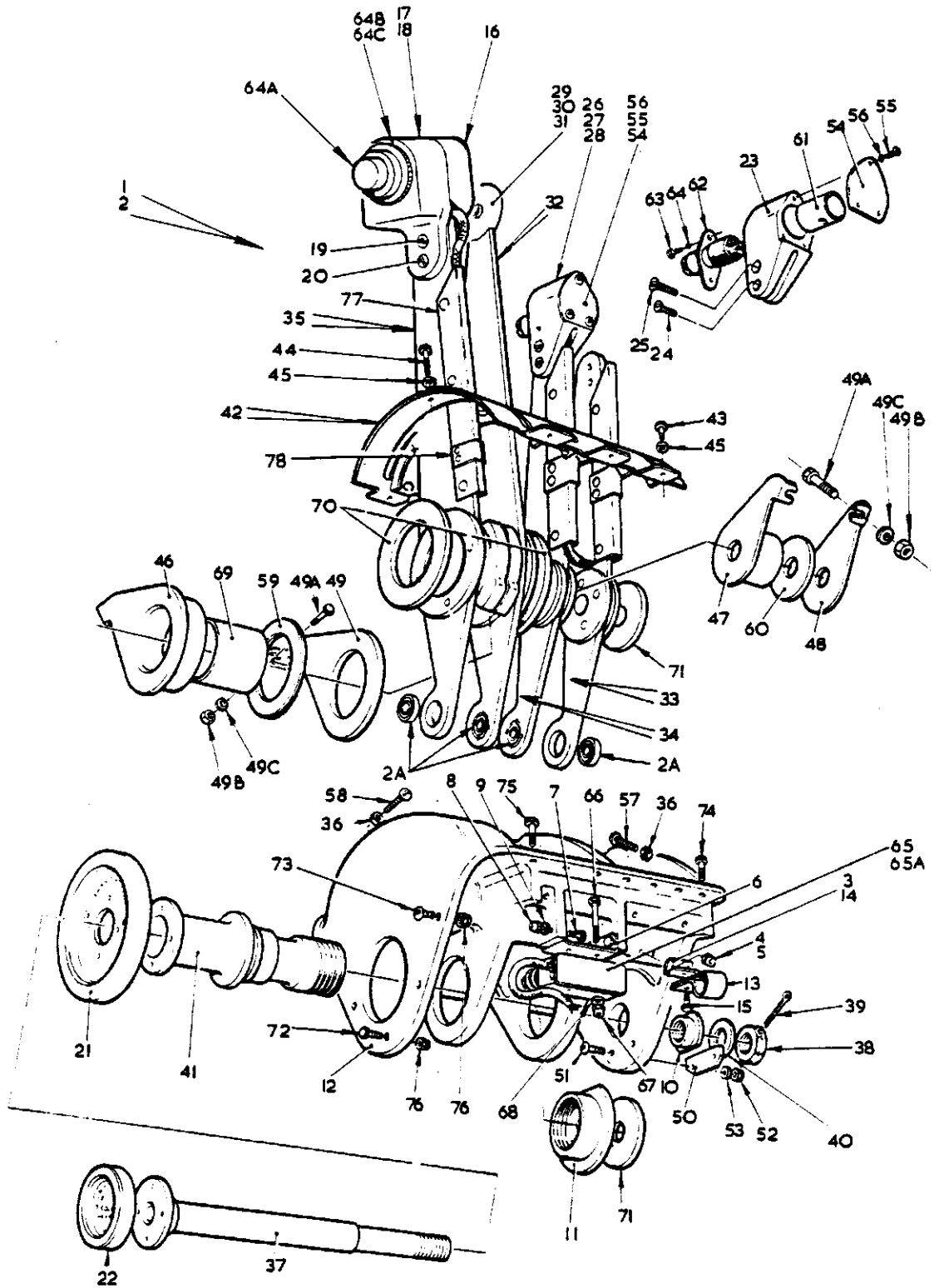


FIG. 2 ENGINE CONTROLS IN NOSE FUSELAGE

CODE Z

SECT. CB

This file was downloaded
from the RTFM Library.

Link: www.scottbouch.com/rtfm

Please see site for usage terms,
and more aircraft documents.



LIGHTNING MK. 1
COVER PITOT HEAD
EB2-88-5111