

## FLYING CONTROLS IN COCKPIT

Part Number	Description	No. Off	Mtl. Spec.	Plate No.	
					1
EG4.45.103	FLYING CONTROLS IN COCKPIT, ASSEMBLY (MOD 4799) Spares for:—	—	—	DA1/27	
L3/5578GF116	. CHARGE, H.E. emergency	1	—	DA1/3	
EG4.45.107	. CONTROLS ON PILOT'S FLOOR AND FLOOR FIXING, ASSEMBLY (MOD 4799) Spares for:—	—	—	DA1/28	
EA3.45.247	. . . AILERON BIAS, ASSEMBLY Spares for:—	1	—	DA4/34	
E.E.Co. LTD BRADFORD 5W/4520730	. . . . ACTUATOR, linear, Type 259 Attaching parts for Ref 5W/4520730:—	1	—	DA4/33	
EA6.45.345	. . . Bolt, shouldered, at angle end	1	S92	DA4/18	
A25/3E	. . . Bolt, 1/4" BSF at lever end	1	—	DA4/16	
A27ES	. . . Nut, slotted, 1/4" BSF	2	—	DA4/27	
SP90C7	. . . Pin, split, 1/16" dia	2	—	DA4/30	
EA6.45.337	. . . ANGLE	1	L72	DA4/17	
EA6.45.338	. . . ANGLE Attaching parts for EA6.45.337 and EA6.45.338:—	1	L72	DA4/32	
A25/2C	. . . Bolt, 2BA	2	—	DA4/31	
A25/1C	. . . Bolt, 2BA	4	—	DA4/26	
AGS2001C1/66	. . . Nut, stiff, 2BA	6	—	DA4/20	
SP13C	. . . Washer	4	—	DA4/21	
AGS899/4	. . . COLLAR	1	—	DA4/22	
SP4Y/D5	. . . PIN, 1/4" dia	1	—	DA4/23	
SP90C5	. . . PIN, split, 1/16" dia	1	—	DA4/24	
SP8Y16	. . . ROLLER	1	—	DA4/25	
EA6.45.335	. . . TUBE, torque and levers, assembly Attaching parts for EA6.45.335:—	1	—	DA4/14	
EA6.45.343	. . . Bolt, shouldered	1	S92	DA4/13	
EA6.45.341	. . . Bush, oilite	2	—	DA4/19	
A27ES	. . . Nut, slotted, 1/4" BSF	1	—	DA4/28	
SP90C7	. . . Pin, split, 1/16" dia	1	—	DA4/29	
SP42G	. . . Washer, tab	1	—	DA4/15	
EG4.45.105	. . . COLUMN, CONTROL PILOT'S ASSEMBLY (MOD 4799) (PRE-MOD 4956) (For Aircraft Not Embodying Mod 5100) (Make from Part No. EG4.45.5 Ref 34327) (Supplied to drg EA3.00.5158 for spares purposes)	1	—	DA2/1	
EG4.45.109	. . . COLUMN, CONTROL, PILOT'S ASSEMBLY (MOD 4956) (For Aircraft Embodying Mod 5100)	1	—		

R

CONTROLS  
FLYING CONTROLS IN COCKPIT

Part Number	Description						No. Off	Matl. Spec.	Plate No.
	1	2	3	4	5	6			
	Spares for:—								
HOFFMANN T17	. . .	BEARING, ballrace, aileron control					1	—	DA3/53
HOFFMANN T25	. . .	BEARING, ballrace, pilot's hand grip					1	—	DA3/39
EA6.45.291	. . .	BLOCK, brake cable, adjusting					1	DTD683	DA2/3
	Attaching parts for EA6.45.291:—								
AS1242/8C	. . .	Bolt, csk. head 2BA					1	—	DA2/2
A27CS	. . .	Nut, slotted, 2BA					1	—	DA2/14
SP90C7	. . .	Pin, split, 1/16" dia					1	—	DA2/13
A33C24	. . .	Screw, csk. head 2BA					2	—	DA2/22
SP15C	. . .	Washer					1	—	DA2/17
703-2-00244	. . .	BLOCK, terminal					1	—	
	Attaching parts for 703-2-00244:—								
AGS2001B1	. . .	Nut, 4BA					2	—	
Z28426	. . .	Pillar, fixing					2	—	
SP13B	. . .	Washer					2	—	
AS1248/1/2G	. . .	BOLT, mush. head, 5/16" BSF					2	—	DA3/39A
EB6.81.877	. . .	BRACKET, clip					1	—	DA3/16
EB6.81.2253	. . .	BRACKET, switch					1	—	DA3/21
	Attaching parts for EB6.81.2253:—								
AGS2001B1	. . .	Nut, stiff, 4BA					2	—	DA3/21A
A31B14	. . .	Screw, cheese head, 4BA					2	—	DA3/66
A31B12	. . .	Screw, cheese head, 4BA					1	—	DA3/65
SP13B	. . .	Washer					2	—	DA3/65A
SP10B	. . .	Washer					1	—	DA3/65B
SP47B	. . .	Washer, spring					1	—	DA3/65C
EA1.45.107	. . .	BUSH, main bearing attached to bottom casting					1	L65	DA2/4
EB7.81.1165	. . .	CABLE, assembly N69B					1	—	
EA3.45.473	. . .	CABLE, brake					1	—	DA3/26
	Attaching parts for EA3.45.473:—								
AGS899/2	. . .	Collar					1	—	DA3/19
SP4Y/B9	. . .	Pin, shackle, 3/16" dia					1	—	DA3/31
SP90C5	. . .	Pin, split, 1/16" dia					1	—	DA3/17
AS3180/5B	. . .	CLIP					1	—	DA3/67
	Attaching parts for AS3180/5B:—								
AGS2001B4	. . .	Nut, stiff, 4BA					1	—	DA3/67A
A40B12	. . .	Screw, 4BA					1	—	DA3/67B
EB7.45.71	. . .	COLUMN, CONTROL, SUB-ASSEMBLY					1	—	DA3/50
	Spares for:—								
EA6.45.247	. . .	CASTING, top					1	—	DA3/50A
EB7.45.73	. . .	DUCT, cable					1	—	DA3/50B
EA1.45.1021	. . .	TUBE					1	—	DA3/50C
EA1.45.91	. . .	YOKE					1	—	DA3/50D

CONTROLS  
FLYING CONTROLS IN COCKPIT

Part Number	Description						No. Off	Mati. Spec.	Plate No.
	1	2	3	4	5	6			
EA1.45.125	.	.	.	.	CONTROL, ELEVATOR, SUB-ASSEMBLY (PRE-MOD 4496)	1	—		
EA3.45.539	.	.	.	.	CONTROL, ELEVATOR, SUB-ASSEMBLY (S.O.O.—MOD 4496) Spares for:—	1	—	DA2/35	
HOFFMANN T33	.	.	.	.	BEARING, ballrace	1	—	DA2/31	
EA1.45.177	.	.	.	.	DIAPHRAGM, ballrace housing mounting	1	—	DA2/33	
EA1.45.175	.	.	.	.	HOUSING, ballrace Attaching parts for EA1.45.175:—	1	L45	DA2/21	
AS1242/3C	.	.	.	.	Bolt, 2BA	8	—	DA2/21A	
A27CS	.	.	.	.	Nut, slotted, 2BA	8	—	DA2/21B	
SP90C5	.	.	.	.	Pin, split, 1/16" dia 1	8	—	DA2/21C	
SP15C	.	.	.	.	Washer	8	—	DA2/21D	
EA1.45.133	.	.	.	.	LEVER, OPERATING, ELEVATOR, GROUP (PRE-MOD 4496)	1	—		
EA3.45.523	.	.	.	.	LEVER, OPERATING, ELEVATOR, GROUP (S.O.O.—MOD 4496) Consisting of:—	1	—	DA2/10	
SKEFKO CBA2	.	.	.	.	BALLRACE	1	—	DA2/8	
EEAS3D	.	.	.	.	HOUSING, ballrace	1	L65	DA2/9	
EA1.45.603	.	.	.	.	LEVER (Pre-Mod 4496)	—	—		
EA1.45.519	.	.	.	.	LEVER (S.O.O.—Mod 4496)	—	L65	DA2/24	
EEAS4/20C	.	.	.	.	WASHER, packing Attaching parts for EA3.45.523 and EA1.45.133:—	2	L72	DA2/7	
AS1242/5E	.	.	.	.	Bolt, psk. head, 1/4" BSF	8	—	DA2/7A	
A27ES	.	.	.	.	Nut, 1/4" BSF	8	—	DA2/7B	
SP90C5	.	.	.	.	Pin, split, 1/16" dia	8	—	DA2/7C	
SP16E	.	.	.	.	Washer	8	—	DA2/7D	
EEAS37/14A	.	.	.	.	NIPPLE, 2BA (Pre-Mod 4496)	12	S96		
EA3.45.515	.	.	.	.	RING, clamp (S.O.O.—Mod 4496)	1	—	DA2/12A	
EA3.45.517	.	.	.	.	RING, clamp (S.O.O.—Mod 4496)	1	—	DA2/12B	
EA1.45.173	.	.	.	.	SLEEVE, lever mounting	1	L65	DA2/32	
EA1.45.105	.	.	.	.	SOCKET, mounting, elevator control to control column	1	L65	DA2/11	
EEAS38/2A	.	.	.	.	SPOKE, 4BA (Pre-Mod 4496)	6	S96		
EA1.45.171	.	.	.	.	TUBE, torque, connecting socket and lever, 2" o/d x 14 SWG Attaching parts for EA1.45.171:—	1	T4	DA2/12	
A59/22G	.	.	.	.	Bolt, 7/16" BSF	6	—	DA2/19	
A27GS	.	.	.	.	Nut, slotted, 3/16" BSF	6	—	DA2/20	
SP90C7	.	.	.	.	Pin, split, 1/16" dia	6	—	DA2/20A	
SP16G	.	.	.	.	Washer	6	—	DA2/20B	
AS1903G16	.	.	.	.	Washer	6	—	DA2/20C	
EA1.45.1153	.	.	.	.	Attaching parts for EA3.45.539 and EA1.45.125:— Bolt	1	—	DA2/16	
A27JS	.	.	.	.	Nut, slotted, 3/8" BSF	1	—	DA2/18	
SP90C7	.	.	.	.	Pin, split, 1/16" dia	1	—	DA2/15	

R

## CONTROLS

## FLYING CONTROLS IN COCKPIT

Part Number	Description						No. Off	Matl. Spec.	Plate No.
	1	2	3	4	5	6			
703-1-00265	.	.	.	COVER, terminal block			1	-	
Z11384	.	.	.	FERRULE, cut			2	-	
EA1.45.1025	.	.	.	FORK-END			1	S96	DA3/63
EEAS37/1A	.	.	.	Attaching parts for EA1.45.1025:-					
EEAS38/1A	.	.	.	Nipple			4	S96	DA3/60
	.	.	.	Spoke			2	S96	DA3/61
EA6.45.267	.	.	.	GEAR, bevel (Supplied with tube EA1.45.971)			1	-	DA3/46
SP40A4	.	.	.	GROMMET			3	-	DA3/46A
EA6.45.265	.	.	.	HOUSING, control column			1	S95	DA3/36
	.	.	.	Attaching parts for EA6.45.265:-					
AS1242/8C	.	.	.	Bolt, mush. head 2BA			3	-	DA3/44
AGS2002C1	.	.	.	Nut, stiff, 2BA			3	-	DA3/24
EA1.45.1059	.	.	.	LABEL, quadrant to mesh centrally with control unit			1	-	DA3/38
EB6.45.37	.	.	.	LABEL			1	-	DA3/38A
	.	.	.	Attaching parts for EB6.45.37:-					
A31B12	.	.	.	Screw, cheese head, 4BA			3	-	DA3/33B
SP47B	.	.	.	Washer, spring			3	-	DA3/38C
EB6.45.61	.	.	.	LEVER, brake			1	Mag-Alloy	DA3/1
	.	.	.	Attaching parts for EB6.45.61:-					
AGS899/2	.	.	.	Collar, 7/16" dia			2	-	DA3/9
SP4Y/B14	.	.	.	Pin, shackle, 7/16" dia			1	-	DA3/3
SP4YB15	.	.	.	Pin, shackle, 7/16" dia			1	-	DA3/11
SP90C5	.	.	.	Pin, split, 7/16" dia			2	-	DA3/2
SP15C	.	.	.	Washer			1	-	DA3/10
EA6.45.215	.	.	.	LEVER, BRAKE CABLE OPERATING ASSEMBLY			1	-	DA3/25
	.	.	.	Consisting of:-					
EA6.45.217	.	.	.	CAP, for collar			1	DTD126	DA3/30
EA6.45.219	.	.	.	COLLAR, fulcrum pin retaining			1	DTD683	DA3/32
EA6.45.221	.	.	.	LEVER			1	-	DA3/32A
EA6.45.222	.	.	.	LEVER			1	-	DA3/32B
EA6.45.223	.	.	.	PIECE, distance			1	-	DA3/32C
SP90B3	.	.	.	PIN, split, 7/64" dia			2	-	DA3/32D
SP90B5	.	.	.	PIN, split, 7/64" dia			1	-	DA3/32E
SP15C	.	.	.	WASHER			2	-	DA3/32F
	.	.	.	Attaching parts for EA6.45.215:-					
AGS899/2	.	.	.	Collar, 7/16" dia			1	-	DA3/27
SP4Y/B9	.	.	.	Pin, shackle, 7/16" dia			1	-	DA3/29
SP90C5	.	.	.	Pin, split, 7/16" dia			1	-	DA3/29
EA3.45.257	.	.	.	LUG, brake lever			1	DTD683	DA3/4
	.	.	.	Attaching parts for EA3.45.257:-					
EEAS1/1C	.	.	.	Screw, csk. head, 2BA			2	-	DA3/4A
EA6.45.249	.	.	.	MECHANISM, BRAKE OPERATING, ASSEMBLY			1	-	DA3/45
	.	.	.	Consisting of:-					
EA6.45.285	.	.	.	PIN, fulcrum			1	S92	DA3/52
EA6.45.255	.	.	.	PLUG, screwed, spring retaining			1	DTD683	DA3/64
EA6.45.253	.	.	.	PLUNGER			1	L65	DA3/59
EA6.45.251	.	.	.	SHAFT			1	S96	DA3/49
EA1.45.679	.	.	.	SPRING			1	DTD215	DA3/62

## CONTROLS

## FLYING CONTROLS IN COCKPIT

Part Number	1 2 3 4 5 6	Description	No. Off	Mati. Spec.	Plate No.
EA6.45.269	. . .	NUT, clamp, ballrace retaining	1	DTD215	DA3/40
EA6.45.271	. . .	NUT, clamp, ballrace retaining	1	DTD683	DA3/37
EA6.45.263	. . .	NUT, clamp, ballrace retaining bevel gear	1	DTD683	DA3/41
A27NT	. . .	NUT, thin, ½" BSF	1	—	DA3/41A
EA1.45.153	. . .	PLATE, cover at bottom casting Attaching parts for EA1.45.153:—	2	L72	DA2/29
A31B12	. . .	Screw, cheese head, 4BA	2	—	DA2/27
SP47B	. . .	Washer, spring	2	—	DA2/26
EA6.45.273	. . .	PLATE, cover, brake mechanism Attaching parts for EA6.45.273:—	1	DTD683	DA/43
A33C16	. . .	Screw, csk, hd, 2 BA	4	—	DA3/43A
EB6.45.33	. . .	PLATE, cover top, assembly	1	—	DA3/23
EA3.45.259	. . .	PLATE, lock brake	1	L72	DA3/20
EA3.45.261	. . .	PLATE, ring brake mechanism retaining Attaching parts for EA3.45.261:—	1	L72	DA3/15
EEAS1/1C	. . .	Screw, csk. head, 2 BA	2	—	DA3/5
EB6.81.3115	. . .	PLATE, switch, F.95 camera (Mod 3143) Attaching parts for EB6.81.3115:—	1	L72	DA3/68
A31B12	. . .	Screw, cheese head, 4BA	3	—	DA3/69
SP47B	. . .	Washer	3	—	DA3/70
SP10B	. . .	Washer	3	—	DA3/70A
EA6.45.287	. . .	PLUNGER, brake mechanism, operating	1	L65	DA3/12
EA3.45.265	. . .	RING, locking, brake mechanism	1	DTD683	DA3/18
2C3.16S970	. . .	SCREW, conduit clamping	2	—	DA3/18A
EEAS27/8/4B	. . .	SHIM	4	—	DA3/42
EA1.45.123	. . .	SOCKET, conduit	1	L65	DA3/55
EA1.45.1029	. . .	SPHERE, control column, locking	1	DTD265	DA2/5
EA3.45.263	. . .	SPRING, locking plate, compression	1	DTD215	DA3/22
EB6.81.859	. . .	STOP, AIRBRAKE SWITCH OVERSHOOT, ASSEMBLY Spares for:—	1	—	DA3/8
EB6.81.863	. . . .	BASE	1	—	DA3/8A
EB6.81.865	. . . .	PIECE, packing	1	—	DA3/8B
EB6.81.873	. . . .	RAIL, guide	2	—	DA3/8C
EB6.81.861	. . . .	SLIDE	1	—	DA3/8D
EB6.81.871	. . . .	SPRING	1	—	DA3/8E
EB6.81.869	. . . .	SPRING, guide	1	—	DA3/8F
EB6.81.867	. . . .	STUD	1	—	DA3/8G
A33B12	. . .	Screw, csk. head, 4BA	2	—	DA3/8H
AGS2036B	. . .	Washer, locking	2	—	DA3/8J
HELLERMANN HV3341	. . .	STRAP	QR	—	DA3/8K
HELLERMANN NV3342	. . .	STUD	1	—	DA3/8L
EA1.45.87	. . .	SUPPORT, CONTROL COLUMN, CASTING ASSEMBLY (PRE MOD 5028 AND 4956)	1	—	DA2/46
EA3.45.695	. . .	SUPPORT, CONTROL COLUMN, CASTING ASSEMBLY (MOD 5028) (PRE MOD 4956)	1	—	
EA3.45.5095	. . .	SUPPORT, CONTROL COLUMN, CASTING ASSEMBLY (MOD 4956) (PRE MOD 5028)	1	—	
EA3.45.5097	. . .	SUPPORT, CONTROL COLUMN, CASTING ASSEMBLY (MOD 4956 AND 5028)	1	—	

## CONTROLS

## FLYING CONTROLS IN COCKPIT

Part Number	1 2 3 4 5 6	Description	No. Off	Mati. Spec.	Plate No.
		Spares for:—			
HOFFMANN T17	. . . .	BEARING, ballrace, main control column	2	—	DA2/28
HOFFMANN T25	. . . .	BEARING, ballrace, between sleeve and support casting	2	—	DA2/23
EA1.45.93	. . . .	CASTING, control column support (Pre Mod 5028)	1	DTD289	DA2/25
EA3.45.711	. . . .	CASTING, control column support (Mod 5028)	1	—	
EA1.45.1027	. . . .	FORK-END	1	S96	DA2/6
EA1.45.961	. . . .	LEVER, AILERON, OPERATING ASSEMBLY	1	—	DA2/50
		Spares for:—			
SKEFKO CBA2	. . . . .	BEARING, ballrace	1	—	DA2/43
AGS798E	. . . . .	EYE-BOLT	1	—	DA2/53
		Attaching parts for AGS798E:—			
EA1.45.483	. . . . .	Collar	1	L64	DA2/52
A27EP	. . . . .	Nut, 1/4" BSF	1	—	DA2/47
EEAS3D	. . . . .	HOUSING, ballrace	1	L65	DA2/44
EA3.45.959	. . . . .	LEVER, operating	1	DTD683	DA2/51
EEAS4/20C	. . . . .	WASHER, packing	2	L72	DA2/41
		Attaching parts for EA1.45.961:—			
EA1.45.1033	. . . . .	Bolt, special	3	S96	DA2/36
AS1242/4C	. . . . .	Bolt, 2BA	1	—	DA2/49
A27CP	. . . . .	Nut, 2BA	4	—	DA2/40
SP15C	. . . . .	Washer	1	—	DA2/42
EEAS37/1A	. . . . .	NIPPLE, 3/16" dia (Pre Mod 4956)	4	S96	DA2/38
A27CT	. . . . .	NUT, thin 2BA	2	—	DA2/30
EA1.45.103	. . . . .	SLEEVE, sprocket mounting (Pre Mod 4956)	1	L65	DA2/45
EA3.45.5099	. . . . .	SLEEVE (Mod 4956)	1	L65	
		Attaching parts for EA3.45.5099:—			
EA3.45.5103	. . . . .	Bolt, 2BA	2	S97	
A27CS	. . . . .	Nut, 2BA	2	—	
SP90C5	. . . . .	Pin, split	2	—	
EA3.45.5101	. . . . .	Washer, saddle	4	L65	
SP13C	. . . . .	Washer	2	—	
EEAS38/1A	. . . . .	SPOKE (Pre Mod 4956)	2	S96	DA2/48
EA1.45.619	. . . . .	SPROCKET	1	L65	DA2/39
EA1.45.165	. . . . .	STUD, mounting	2	DTD126A	DA2/37
EA1.45.993	. . . . .	TUBE, distance, between sprocket and casting	1	T4	DA2/34
D10001	. . . .	SWITCH, 3-way	1	—	DA3/7
		Attaching parts for D10001:—			
A40BB	. . . .	Screw, round head, 4BA	2	—	DA3/7A
AGS2035B	. . . .	Washer, shakeproof	2	—	DA3/7B
XD791	. . . .	SWITCH, SP, No. 3	1	—	DA3/13
		Attaching parts for XD791:—			
A32B8	. . . .	Screw, round head, 4BA	2	—	DA3/14
SP10B	. . . .	Washer	2	—	DA3/14A
SP47B	. . . .	Washer, spring	2	—	DA3/14B

## FLYING CONTROLS IN COCKPIT

Part Number	1 2 3 4 5 6	Description	No. Off	Mati. Spec.	Plate No.
EA1.45.971	. . .	TUBE, INNER, AILERON OPERATING ASSEMBLY	1	-	DA3/57
EA9.00.159	. . .	TUBE, INNER, AILERON OPERATING ASSEMBLY (Supplied with bevel gear EA6.45.267 Spares for:-	1	-	
HOFFMAN T29	. . . .	BEARING, ballrace	1	-	DA3/33
EEAS37/13A	. . . .	NIPPLE, 3/16" dia	4	S96	DA3/48
EA1.45.101	. . . .	QUADRANT	1	-	DA3/48A
EEAS38/1A	. . . .	SPOKE	2	S96	DA3/47
EA1.45.1023	. . . .	TUBE, operating	1	T45	DA3/58
EA3.45.413	. . . .	WASHER, special	1	Alumn	DA3/35
EA6.45.261	. . . .	WASHER, special	1	DTD683	DA3/34
SP47G	. . . .	WASHER	2	-	DA3/24A
DUNLOP AC14294	. . .	WHEEL, control, assembly (for spares see AP4515C, Vol 3 Part 1, Sect, Chap 37)	1	-	DA3/54
EA3.45.109	. . .	COVER, sealing, pilot's control column	1	-	DA8/14
EA3.45.7	. . .	PEDALS, PILOT'S RUDDER CONTROL ASSEMBLY (PRE-MOD 4956) (For Aircraft Not Embodying Mod 5100)	1	-	DA6/49
EA3.45.5227	. . .	PEDESTAL, PILOT'S RUDDER CONTROL, ASSEMBLY (MOD 4956) (For Aircraft Embodying Mod 5100) Consisting of:-	1	-	
EA3.45.57	. . .	BEARING, c/w ballrace and housing Pre-Mod 4956)	1	-	DA6/48
EA3.45.5085	. . .	BEARING, c/w ballrace and housing (Mod 4956) Attaching parts for EA3.45.5085:-	1	-	
AS1242/3C	. . . .	Boit, 2BA	8	-	
A27CS	. . . .	Nut, 2BA	8	-	
SP90C8	. . . .	Pin, split	8	-	
EA3.45.5089	. . . .	Ring, clamp	1	L65	
SP13C	. . . .	Washer	8	-	
A25/4E	. . . .	BOLT, 1/4" BSF	8	MS	DA6/48A
EA3.45.457	. . . .	CABLE, HYDRAULIC BRAKE CONTROL ASSEMBLY Spares for:-	1	-	DA5/20
EA3.45.461	. . . .	BLOCK, pulley support Attaching parts for EA3.45.461:-	1	DTD683	DA5/3
EA3.45.465	. . . .	Block tapped	1	S92	DA5/17
EA3.45.467	. . . .	Block tapped	1	S92	DA5/4
A25/1C	. . . .	Bolt 2BA	4	-	DA5/1
A25/1/2B	. . . .	BOLT, 4BA	1	-	DA5/6
EA3.45.171	. . . .	BRACKET, lower pulley and cable guard Attaching parts for EA3.45.171:-	1	-	DA5/21
A25/1C	. . . .	Bolt, 2BA	2	-	DA5/16
A27CP	. . . .	Nut, 2BA	2	-	DA5/13
EA3.45.173	. . . .	BRACKET, upper pulley Attaching parts for EA3.45.173:-	1	L72	DA5/8
A25/1C	. . . .	Bolt, 2BA	2	-	DA5/12
A27CP	. . . .	Nut, 2BA	2	-	DA5/7

## CONTROLS

## FLYING CONTROLS IN COCKPIT

Part Number	1 2 3 4 5 6	Description	No. Off	Mater. Spec.	Plate No.
EA3.45.463	. . . . .	GUIDE, cable	1	S92	DA5/14
A25/4B	. . . . .	Attaching parts for EA3.45.463:-	1	-	DA5/11
SP13B	. . . . .	Bolt, 4BA	1	-	DA5/10
	. . . . .	Washer	1	-	
EA3.45.459	. . . . .	PULLEY, assembly, at control column	1	-	DA5/18
A25/7E	. . . . .	Attaching parts for EA3.45.459:-	1	-	DA5/2
EA3.45.469	. . . . .	Bolt, 1/4" BSF	2	DTD683	DA5/5
	. . . . .	Washer	1	-	
AS111	. . . . .	PULLEY, at brake control valve	1	-	DA5/15
A25/5E	. . . . .	Attaching parts for AS111:-	1	-	DA5/9
A27ES	. . . . .	Bolt, 1/4" BSF	1	-	DA5/22
SP90C7	. . . . .	Nut, slotted, 1/4" BSF	1	-	DA5/23
SP13E	. . . . .	Pin, split, 1/16" dia	1	-	DA5/19
	. . . . .	Washer	1	-	
SP13B	. . . . .	WASHER	1	-	DA5/19A
EA3.45.63	. . . . .	LEVER AND SPROCKET ASSEMBLY (PRE-MOD 4956)	1	-	DA6/52
EA3.45.5073	. . . . .	LEVER AND SPROCKET ASSEMBLY	1	-	
or					
EA3.45.5075	. . . . .	LEVER AND BOSS ASSEMBLY (MOD 4956) (Alternative to EA3.45.5073)	1	-	
		Spares for:-			
SKEFCO					
CBA2	. . . . .	BALLRACE (PRE-MOD 4956)	1	-	DA6/52A
EEAS3D	. . . . .	HOUSING, ballrace (PRE-MOD 4956)	1	-	DA6/52B
EA1.45.307	. . . . .	LEVER (PRE-MOD 4956)	1	-	DA6/52C
EA3.45.5217	. . . . .	LEVER ASSEMBLY (MOD 4956)	1	-	DA6/53
		Spares for:-			
SKEFCO					
CBA2	. . . . .	BALLRACE	1	-	DA6/52A
EEAS3D	. . . . .	HOUSING, ballrace	1	-	DA6/52B
EA3.45.5077	. . . . .	LEVER	1	-	DA6/54
EEAS4/20C	. . . . .	WASHER, packing	2	-	DA6/52E
EA3.45.5083	. . . . .	RING, clamping (MOD 4956)	1	-	DA6/55
EA3.45.59	. . . . .	SPROCKET (PRE-MOD 4956)	1	-	DA6/52D
EA3.45.5079	. . . . .	SPROCKET (MOD 4956)	1	-	DA6/56
or					
EA3.45.5081	. . . . .	BOSS (MOD 4956) (Alternative to EA3.45.5079) Attaching parts for EA3.45.5079 or EA3.45.5081:-	1	-	DA6/57
AS1242/10C	. . . . .	Bolt, 2BA	10	-	DA6/58
A27CS	. . . . .	Nut, slotted, 2BA	10	-	DA6/59
SP90C5	. . . . .	Pin, split	10	-	DA6/60
SP13C	. . . . .	Washer	10	-	DA6/61
EEAS4/20C	. . . . .	WASHER, packing (PRE-MOD 4956)	2	-	DA6/52E
EEAS37/8A	. . . . .	Attaching parts for EA3.45.63:-	4	S96	DA6/50
EEAS38/2A	. . . . .	Nipple, 4BA (PRE-MOD 4956)	2	S11	DA6/51
		Spoke, 4BA (PRE-MOD 4956)			
EEAS95/16G	. . . . .	Attaching parts for EA3.45.5073 or EA3.45.5075:-	2	-	DA6/62
A27GS	. . . . .	Bolt, 7/16" BSF (MOD 4956)	2	-	DA6/63
SP90C8	. . . . .	Nut, 7/16" BSF (MOD 4956)	2	-	DA6/64
EA3.45.5091	. . . . .	Pin, split (MOD 4956)	4	-	DA6/45
SP13G	. . . . .	Washer, saddle (MOD 4956)	2	-	DA6/66
	. . . . .	Washer (MOD 4956)	2	-	

CONTROLS  
FLYING CONTROLS IN COCKPIT

Part Number	Description	No. Off	Matl. Spec.	Plate No.	
					1
R EA3.45.253	PEDALS, PILOT'S RUDDER CONTROL ASSEMBLY Spares for:—	1	—	DA6/47	
R AS2183	ARM, rudder bar assembly Spares for:—	2	—	DA6/4	
R AS2187	EYE-BOLT Attaching parts for AS2187:—	1	—	DA6/21	
R A24JS	Nut, slotted, 3/8" BSF	1	—	DA6/19	
R SP90C7	Pin, split Attaching parts for AS2183:—	1	—	DA6/30	
R AS2180	Bush, upper	1	—	DA6/15	
R AS2226	Bush, lower	1	—	DA6/35	
R AS2224	Cap, nut	1	—	DA6/3	
R SP90E10	Pin, split, 3/32" dia	1	—	DA6/5	
R AS2181	Shim	1	—	DA6/13	
HOFFMAN T21	BEARING, ballrace	1	—	DA6/42	
AS2175	CAP, worm adjusting	2	—	DA6/25	
AS2178	COLLAR, worm adjusting Attaching parts for AS2178:—	1	—	DA6/26	
SP29H10	Pin, taper	1	—	DA6/27	
AS2231	LINK, adjusting Attaching parts for AS2231 (per pair):—	4	—	DA6/20	
AS2196	Bolt, special	2	—	DA6/14	
AS2197	Nut, special	2	—	DA6/23	
SP90C5	Pin, split, 1/16" dia	2	—	DA6/28	
AS2206	LINK-BAR, assembly Attaching parts for AS2206 (per pair):—	2	—	DA6/16	
AS2202	Bolt, pivot	1	—	DA6/29	
AS2203	Bolt, pivot	2	—	DA6/45	
A24CS	Nut, slotted, 2BA	3	—	DA6/18	
A24EP	Nut, 1/4" BSF	3	—	DA6/41	
SP90C5	Pin, split, 1/16" dia	3	—	DA6/17	
SP14C	Washer	3	—	DA6/22	
SP15E	Washer	3	—	DA6/39	
AS2198	PEDAL ASSEMBLY (PRE-MOD 5100)	1	—	DA6/44.	
AS46745	PEDAL ASSEMBLY (ALT. R60/49-MOD 5100) Spares for:—	1	—		
AS2213	PEDAL	1	—	DA6/44B	
AS2219	PLATE, foot	1	—	DA6/44A	
AS4568	STIRRUP (Pre-Mod 5100)	1	—	DA6/34	
AS46744	STIRRUP (Alt. R60/49-Mod 5100) Attaching parts for plate and stirrup:—	1	—		
AS4565/2C	Bolt, round head, 2BA	4	—	DA6/34A	
A29CP	Nut, 2BA	4	—	DA6/34B	
AS2199	PEDAL ASSEMBLY (PRE-MOD 5100)	1	—	DA6/1	
AS46746	PEDAL ASSEMBLY (ALT. R60/49-MOD 5100) Spares for:—	1	—		
AS2215	PEDAL	1	—	DA6/1B	
AS2219	PLATE, foot	1	—	DA6/1A	
AS4568	STIRRUP (Pre-Mod 5100)	1	—	DA6/2	
AS46744	STIRRUP (Alt. R60/49-Mod 5100) Attaching parts for plate and stirrup:—	1	—		
AS4565/2C	Bolt, round head, 2BA	4	—	DA6/2A	
A29/CP	Nut, 2BA	4	—	DA6/2B	
AS2209	Attaching parts for pedal assembly:— Bolt, pivot	1	—	DA6/38	
A24JS	Nut, slotted, 3/8" BSF	1	—	DA6/32	
AS2210	Piece, distance	2	—	DA6/33	
SP90C7	Pin, split, 1/16" dia	1	—	DA6/31	

CONTROLS  
FLYING CONTROLS IN COCKPIT

Part Number	Description						No. Off	Matl. Spec.	Plate No.
	1	2	3	4	5	6			
AS2191	.	.	.	.	PEDESTAL	1	-	DA6/46	
AS2189	.	.	.	.	PLATE, support	1	-	DA6/40	
A25/1C	.	.	.	.	Attaching parts for AS2189:-				
AS2242	.	.	.	.	Bolt, 2BA	4	-	DA6/36	
	.	.	.	.	Washer, tab	1	-	DA6/37	
AS2179	.	.	.	.	PLATE, wheel adjustment	1	-	DA6/11	
AS2412	.	.	.	.	SLEEVE, screwed	1	-	DA6/8	
AS2411	.	.	.	.	WORM, adjusting (supplied in pairs)	1	-	DA6/9	
	.	.	.	.	Attaching parts for AS2412 and AS2411:-				
AS3399	.	.	.	.	Bolt, taper	2	-	DA6/24	
A24ES	.	.	.	.	Nut, slotted, 1/4" BSF	2	-	DA6/12	
SP90C7	.	.	.	.	Pin, split 1/16" dia	2	-	DA6/6	
AS3398	.	.	.	.	Washer	2	-	DA6/7	
AS2188	.	.	.	.	SPINDLE	1	-	DA6/43	
AS2177	.	.	.	.	WHEEL, adjusting	1	-	DA6/10	
EA3.45.249	.	.	.	.	UNIT, BRAKE CONTROL ASSEMBLY	1	-	DA5/24	
	.	.	.	.	Spare for :-				
A25/1C	.	.	.	.	BOLT, 2BA	4	-	DA5/24A	
EA3.45.251	.	.	.	.	BRACKET, support	1	L72	DA5/45	
	.	.	.	.	Attaching parts for EA3.45.251 :-				
A25/1C	.	.	.	.	Bolt, 2BA	6	-	DA5/44	
EA3.45.189	.	.	.	.	CAM, plate guide	1	DTD683	DA5/43	
	.	.	.	.	Attaching parts for EA3.45.189 :-				
A25/4C	.	.	.	.	Bolt, 2BA	2	-	DA5/36	
AS1242/4C	.	.	.	.	Bolt, csk. hd, 2BA	1	-	DA5/38	
SP47C	.	.	.	.	Washer, spring	2	-	DA5/40	
EA3.45.191	.	.	.	.	LEVER, brake valve operating	1	S96	DA5/33	
	.	.	.	.	Attaching parts for EA3.45.191 :-				
A25/6C	.	.	.	.	Bolt, 2BA	1	-	DA5/35	
A27/CS	.	.	.	.	Nut, slotted 2BA	1	-	DA5/25	
SP90C7	.	.	.	.	Pin, split, 1/16" dia	1	-	DA5/30	
EA3.45.193	.	.	.	.	LINK, TIE, BETWEEN VALVE	1	-	DA5/42	
	.	.	.	.	OPERATING LEVER AND RUDDER				
	.	.	.	.	CONTROL LEVER, ASSEMBLY				
	.	.	.	.	Spare for :-				
EA3.45.187	.	.	.	.	FORK-END	1	-	DA5/27	
SP3Y413L	.	.	.	.	FORK-END	1	-	DA5/34	
A27/CT	.	.	.	.	NUT, thin 2BA	1	-	DA5/28	
A27/CTL	.	.	.	.	NUT, thin, L.H., thread, 2BA	1	-	DA5/29	
EA3.45.193A	.	.	.	.	ROD	1	-	DA5/41	
	.	.	.	.	Attaching parts for EA3.45.193 :-				
AGS899/2	.	.	.	.	Collar	2	-	DA5/26	
EA3.45.195	.	.	.	.	Pin, special	1	S96	DA5/37	
SP4Y/B11	.	.	.	.	Pin, shackle	1	-	DA5/32	
SP90C7	.	.	.	.	Pin, split, 1/16" dia	2	-	DA5/31	
SP15C	.	.	.	.	Washer	1	-	DA5/39	

**CONTROLS**  
**FLYING CONTROLS IN COCKPIT**

Ref. No.	Part No.	Description	No. off	Matl. Spec.	Cl. of Equip M.R. L.M.	Plate No.
28W/9416643 96	SP47C	. . . . . WASHER, spring	4	—	C	DA5/39A
	EA1.45.477	. . . SPRING, tension, between aileron control and tension lever	1	DTD215	C	DA4/35
21349 21348	EA3.45.477	. . COVER, PRESSURE BOX, ASSEMBLY Spares for:—	1	—	—	DA7/38
	EA3.45.479	. . COVER, access	1	—	B	DA7/28
21348	EA3.45.475	. . PANEL	1	—	B	DA7/34
	EA3.45.21	. . MOUNTING, AILERON, ELEVATOR AND RUDDER LEVERS AT PRESSURE BULKHEAD, ASSEMBLY Spares for:—	1	—	—	DA7/15
8195	EA3.45.121	. . BAR, stop, top	1	DTD300	C	DA7/24
8196	EA3.45.123	. . BAR, stop, bottom Attaching parts for EA3.45.121 and EA3.45.123:—	1	DTD300	C	DA7/35
28D/9140644	A25/9C	. . Bolt, 2BA	4	—	C	DA7/20
28M/1012015	AGS2001C1/66	. . Nut, stiff, 2BA	4	—	C	DA7/31
28W/9419404	SP16C	. . Washer	4	—	C	DA7/29
1535	EA3.45.27	. . BOLT, stop, control, levers	5	—	C	DA7/32
1534	EA1.45.1207	. . BOLT, stop, elevator, at pressure bulkhead	1	S96	C	DA7/33
8197	EA3.45.125	. . BRACKET, stop bar	6	—	C	DA7/27
8198	EA3.45.255	. . BRACKET, stop bar Attaching parts for EA3.45.125 and EA3.45.255:—	2	—	C	DA7/21
28D/9133011	A25/2C	. . Bolt, 2BA	2	—	C	DA7/25
28D/9438920	A25/1C	. . Bolt, 2BA	2	—	C	DA7/25A
28D/1214091	AS1242/2C	. . Bolt, csk, hd, 2BA	2	—	C	DA7/26
28M/1012015	AGS2001C1/66	. . Nut, stiff, 2BA	2	—	C	DA7/22
28W/9419404	SP16C	. . Washer	2	—	C	DA7/23
3878	EA3.45.23	. . CASING, lever control	1	—	B	DA7/37
109	EA1.45.343	. . LEVER, CONTROL, ASSEMBLY (PRE—MOD 4489)	1	—	B	
1439156	EA3.45.537	. . LEVER, CONTROL, ASSEMBLY (MOD 4489 - S.O.O.) Spares for:—	1	—	B	DA7/1
111	EA1.45.367	. . . . . DOWEL	3	S1	C	DA7/12
33007	EA1.45.361	. . . END-PIECE, control lever mounting Attaching parts for EA1.45.361:—	2	L65	C	DA7/13
28D/9133011	A25/2C	. . . . . Bolt, 2BA (Pre—Mod 4489)	5	—	C	
28D/9133011	A25/2C	. . . . . Bolt, 2BA (Mod 4489)	2	—	C	DA7/9
28D/1007976	AS1242/4C	. . . . . Bolt, csk, hd, 2BA (Mod 4489)	3	—	C	DA7/9A
28M/1012015	AGS2001C1/66	. . . . . Nut, stiff, 2BA	5	—	C	DA7/11
28W/9457834	SP124D	. . . . . Washer (Mod 4489)	2	—	C	DA7/10
28W/5086394	SP125D	. . . . . Washer (Mod 4489)	3	—	C	DA7/10A
28W/9419475	SP15/C	. . . . . Washer (Pre—Mod 4489)	5	—	C	
24754	EA1.45.349	. . . . . HOUSING	1	DTD289	C	DA7/14
112	EA1.45.345	. . . . . LEVER, c/w ballrace Attaching parts for EA1.45.345:—	6	—	C	DA7/2
2739	EEAS13/2	. . . . . Bolt (Pre—Mod 4489)	2	S96	C	
28D/1215686	A59/7E	. . . . . Bolt, 1/4" BSF (Mod 4489)	2	—	C	DA7/5
28M/9480017	AGS2001E1/66	. . . . . Nut, stiff, 1/4" BSF	2	—	C	DA7/3
28W/9419487	SP16E	. . . . . Washer (Pre—Mod 4489)	2	—	C	
28W/9471273	SP124E	. . . . . Washer (Mod 4489)	2	—	C	DA7/4

## CONTROLS

## FLYING CONTROLS IN COCKPIT

Ref. No.	Part No.	Description 1 2 3 4 5 6	No. off	Matl. Spec.	Cl. of	Plate No.
					Equip M.R. L.M.	
1439241	EA3.45.535	. . . . . PIECE, packing (Mod 4489)	2	—	—	DA7/4A
1948	EA1.45.351	. . . . . RING, sealing, outboard	1	L45	C	DA7/17
1949	EA1.45.353	. . . . . RING, sealing, centre	1	L45	C	DA7/18
1950	EA1.45.355	. . . . . RING, sealing, inboard	1	L45	C	DA7/16
28D/1200119	A25/4C	. . . . . Attaching parts for EA1.45.343 or EA3.45.537:—				
28D/9133012	A25/3C	. . . . . Bolt, 2BA	12	—	C	DA7/6
28M/1012015	AGS2001C1/66	. . . . . Bolt, 2BA	4	—	C	DA7/8
		. . . . . Nut, stiff, 2BA	16	—	C	DA7/7
28M/1007404	A27JT	. . . . . NUT, thin, 3/8" BSF locking stop bolt	6	—	C	DA7/30
113	EA3.45.25	. . . . . SEAL, rubber between control lever casing and pressure bulkhead	1	—	C	DA7/36
15013	EB6.45.11	. . . . . MOUNTING, ELEVATOR CONTROL LEVER ASSEMBLY (PRE—MOD 4496)	1	—	B/MR	DA1/23
1439280	EB6.45.187	. . . . . MOUNTING, ELEVATOR CONTROL LEVER, ASSEMBLY (MOD 4496—S.O.O.)	1	—	B/MR	
		. . . . . Spares for:—				
	EA3.45.509	. . . . . ANGLE, reinforcing, 16G (Mod 4496—S.O.O.)	1	L73	LM	
2A/9500419	HOFFMANN					
42472	T17	. . . . . BEARING, ballrace	2	—	B	DA1/5
	EA3.45.103	. . . . . BOBBIN, lever mounting	1	DTD683	—	DA1/11
		. . . . . Attaching parts for EA3.45.103:—				
1095	EEAS37/14A	. . . . . Nipple	4	S96	C	DA1/2
1571	EEAS38/2A	. . . . . Spoke	2	S96	C	DA1/9
	EA3.45.101	. . . . . DIAPHRAGM (Mod 4496—S.O.O.)	1	L72	LM	
	EA3.45.287	. . . . . DIAPHRAGM (Mod 4496—S.O.O.)	1	L72	LM	
	EA3.45.547	. . . . . DIAPHRAGM (Mod 4496—S.O.O.)	1	L72	LM	
	EA3.90.201	. . . . . GUIDE, tube	1	T4	LM	
20692	EA1.45.267	. . . . . HOUSING, ballrace, inboard control shaft	1	L65	C	DA1/7
1541	EA1.45.269	. . . . . HOUSING, ballrace, outboard control shaft	1	L65	C	DA1/22
33897	EA2.45.583	. . . . . LEVER, ELEVATOR, OPERATING, ASSEMBLY (PRE—MOD 4496)	1	—	B	DA1/21
44461	EB6.45.181	. . . . . LEVER, ELEVATOR, OPERATING ASSEMBLY (MOD 4496—S.O.O.) (EA2.45.583 Modified) Consisting of:—	1	—	—	
	SKEFKO					
2A/9500463	CBA2	. . . . . BEARING, ballrace	1	—	B	DA1/1
75	EEAS3/D	. . . . . HOUSING, ballrace bearing	1	L65	C	DA1/4
	EA2.45.581	. . . . . LEVER (Pre—Mod 4496)	1	L65	—	DA1/13
	EB6.45.183	. . . . . LEVER (Mod 4496—S.O.O.) (EA2.45.58 Modified)	1	L65	—	
92	EEAS4/20C	. . . . . WASHER, packing	2	L72	C	DA1/6
		. . . . . Attaching parts for EA2.45.583 and EB6.45.181:—				
28D/1212825	AS1242/4E	. . . . . Bolt, 1/4" BSF (Mod 4496—S.O.O.)	3	—	C	
12203	EA2.45.659	. . . . . Bolt (Pre—Mod 4496)	3	S94	C	DA1/6A
28M/1011467	A27ES	. . . . . Nut, slotted (Mod 4496—S.O.O.)	3	—	C	
12202	EA2.45.661	. . . . . Nut, (Pre—Mod 4496)	3	S94	C	DA1/6B
28P/9486478	SP90C5	. . . . . Pin, split	3	—	C	
12204	EA2.45.663	. . . . . Washer (Pre—Mod 4496)	3	L72	C	DA1/6C
28W/9419487	SP16E	. . . . . Washer (Mod 4496—S.O.O.)	3	—	C	

## CONTROLS

## FLYING CONTROLS IN COCKPIT

Part Number	Description	No. Off	Mati. Spec.	Plate No.
EA2.45.587	. . . LEVER, UPPER ARM ELEVATOR OPERATING ASSEMBLY (PRE-MOD 4496)	1	-	DA1/45
EB6.45.177	. . . LEVER, UPPER ARM ELEVATOR OPERATING ASSEMBLY (MOD 4496-S.O.O.) (EA2.45.587 Modified) Consisting of :-	1	-	
SKEFKO				
CBA2	. . . BEARING, ballrace	1	-	DA1/46
EEAS3D	. . . HOUSING, ballrace bearing	1	L65	DA1/47
EA2.45.585	. . . LEVER (Pre-Mod 4496)	1	-	DA1/48
EB6.45.179	. . . LEVER, (Mod 4496-S.O.O.) (EA2.45.585 Modified)	1	-	
EEAS4/20C	. . . WASHER, packing	2	L72	DA1/49
	Attaching parts for EA2.45.587 and EB6.45.177 :-			
AS1242/5E	. . . Bolt, 1/2" BSF (Mod 4496-S.O.O.)	3	-	
EA2.45.659	. . . Bolt (Pre-Mod 4496)	3	S94	DA1/49A
A27ES	. . . Nut, slotted (Mod 4496-S.O.O.)	3	-	
EA2.45.661	. . . Nut, (Pre-Mod 4496)	3	S94	DA1/49B
SP90C5	. . . Pin, split (Mod 4496-S.O.O.)	3	-	
EA2.45.663	. . . Washer (Pre-Mod 4496)	3	L72	DA1/49C
SP16E	. . . Washer (Mod 4496-S.O.O.)	3	-	
EEAS.37.16A	. . . NIPPLE, 2BA (Mod 4496-S.O.O.)	1	S96	
EB6.45.185	. . . PLATE, clamp 10G (Mod 4496-S.O.O.)	1	L72	
EA3.45.511	. . . PLATE, stiffening, 14G (Mod 4496-S.O.O.)	1	L73	
EA3.45.513	. . . RING, clamp (Mod 4496-S.O.O.)	1	-	
EA1.45.271	. . . SHAFT, control mounting	1	L65	DA1/8
EEAS38/3A	. . . SPOKE, 2BA (Make from 28R/4663555) (Mod 4496-S.O.O.)	1	S96	
EA3.45.309	. TUBE, CONTROL, INTERMEDIATE FROM CONTROL COLUMN TO ELEVATOR AT REAR OF PRESSURE BULKHEAD ASSEMBLY (PRE-MOD 4930)	1	-	DA1/26
EA3.45.651	. TUBE, CONTROL, INTERMEDIATE FROM CONTROL COLUMN TO ELEVATOR AT REAR OF PRESSURE BULKHEAD ASSEMBLY (MOD 4930) (PRE-MOD 5473)	1	-	
EA3.45.727	. TUBE, CONTROL, ASSEMBLY (MOD 5473) Spares for:-	1	-	
EEAS47/2	. . . FORK-END, adjusting	1	-	DA1/16
A29NP	. . . NUT, lock	1	-	DA1/51
EA3.45.339	. TUBE, CONTROL, FROM CONTROL COLUMN TO AILERON CONTROL LEVER AT REAR OF PRESSURE BULKHEAD, ASSEMBLY (PRE-MOD 4930)	1	-	DA1/41
EA3.45.661	. TUBE, CONTROL, FROM CONTROL COLUMN TO AILERON CONTROL LEVER AT REAR OF PRESSURE BULKHEAD, ASSEMBLY (MOD 4930) (PRE-MOD 5473)	1	-	

R  
R

R

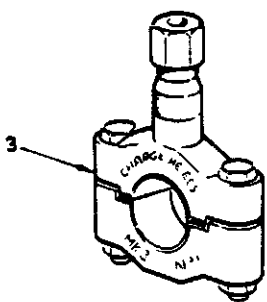
CONTROLS  
FLYING CONTROLS IN COCKPIT

Part Number	Description	No. Off	Mat'l. Spec.	Plate No.
EA3.45.733	. TUBE, CONTROL (MOD 5473) Consisting of:—	1	—	
EA3.45.329	. . TUBE, FORWARD PORTION, ASSEMBLY (PRE-MOD 4930)	1	—	DA1/35
EA3.45.657	. . TUBE, FORWARD PORTION, ASSEMBLY (MOD 4930) (PRE-MOD 5473)	1	—	
EA3.45.823	. . TUBE, FORWARD, ASSEMBLY (MOD 5473)	1	—	
EA3.45.335	. . TUBE, AFT PORTION, ASSEMBLY (PRE-MOD 4930)	1	—	DA1/39
EA3.45.659	. . TUBE, AFT PORTION, ASSEMBLY (PRE-MOD 5473)	1	—	
EA3.45.825	. . TUBE, AFT ASSEMBLY (MOD 5473)	1	—	
EEAS47/2	. . . FORK-END, adjusting	1	DTD683	DA1/37
A29NP	. . . NUT, lock, 1/2" BSF	1	—	DA1/50
	Attaching parts for EA3.45.329, EA3.45.335, EA3.45.657, EA3.45.659, EA3.45.823 and EA3.45.825:—			
A25/22C	. . Bolt, 2BA	2	—	DA1/43
AS484JA	. . Bush	4	—	DA1/33
A27CS	. . Nut, slotted, 2BA	2	—	DA1/31
SP90C7	. . Pin, split, 1/16" dia	2	—	DA1/29
EA3.45.347	. TUBE, CONTROL, FROM CONTROL COLUMN LEVER TO ELEVATOR LEVER, ASSEMBLY (PRE-MOD 4930)	1	—	DA1/25
EA3.45.667	. TUBE, CONTROL, FROM CONTROL COLUMN LEVER TO ELEVATOR LEVER ASSEMBLY (MOD 4930) (PRE-MOD 5473)	1	—	
EA3.45.737	. TUBE, CONTROL, ASSEMBLY (MOD 5473) Spares for:—	1	—	
EEAS47/2	. . FORK-END, adjusting	1	DTD683	DA1/17
A29NP	. . NUT, lock, 1/2" BSF	1	—	DA1/52
EA3.45.345	. TUBE, CONTROL, FROM PILOT'S RUDDER BAR, TO RUDDER LEVER AT REAR OF PRESSURE BULKHEAD, ASSEMBLY (PRE-MOD 4930)	1	—	DA1/42
EA3.45.665	. TUBE, CONTROL, FROM PILOT'S RUDDER BAR, TO RUDDER LEVER AT REAR OF PRESSURE BULKHEAD ASSEMBLY (MOD 4930) (PRE-MOD 5473)	1	—	
EA3.45.735	. TUBE, CONTROL, ASSEMBLY (MOD 5473) Spares for:—	1	—	
EA3.45.329	. . TUBE, FORWARD PORTION, ASSEMBLY (PRE-MOD 4930)	1	—	DA1/36
EA3.45.657	. . TUBE, FORWARD PORTION, ASSEMBLY (MOD 4930) (PRE-MOD 5473)	1	—	
EA3.45.823	. . TUBE, FORWARD, ASSEMBLY (MOD 5473)	1	—	
EA3.45.341	. . TUBE, AFT PORTION, ASSEMBLY (PRE-MOD 4930)	1	—	DA1/40
EA3.45.663	. . TUBE, AFT PORTION, ASSEMBLY (MOD 4930) (PRE-MOD 5473)	1	—	
EA3.45.827	. . TUBE, AFT ASSEMBLY (MOD 5473) Spares for:—	1	—	
EEAS47/2	. . . FORK-END, adjusting	1	DTD683	DA1/38
A27NT	. . . NUT, lock, thin, 1-2" BSF	1	—	DA1/53
	Attaching parts for EA3.45.329, EA3.45.351, EA3.45.657, EA3.45.663, EA3.45.823 and EA3.45.827:—			
A25/22C	. . Bolt, 2BA	1	—	DA1/44
AS484JA	. . Bush	2	—	DA1/34
A27CS	. . Nut, slotted, 2BA	1	—	DA1/32
SP90C7	. . Pin, split, 1/16" dia	1	—	DA1/30

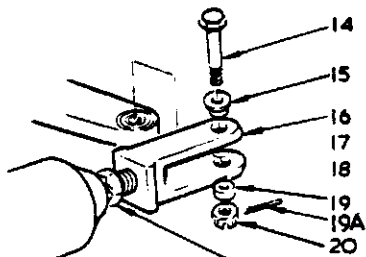
## CONTROLS

## FLYING CONTROLS IN COCKPIT

Part Number	Description	No. Off	Mati. Spec.	Plate No.
EA3.45.351	. TUBE, CONTROL, AILERON, ELEVATOR AND RUDDER AT REAR OF PRESSURE BULKHEAD, ASSEMBLY (PRE-MOD 4930)	3	-	DA1/24
R EA3.45.669	. TUBE, CONTROL, AILERON, ELEVATOR AND RUDDER AT REAR OF PRESSURE BULKHEAD, ASSEMBLY (MOD 4930) (PRE-MOD 5473)	3	-	
R EA3.45.739	. TUBE, CONTROL, AILERON, ELEVATOR AND RUDDER AT REAR OF PRESSURE BULKHEAD, ASSEMBLY (MOD 5473)	3	-	
EEAS47/2 A29NP	. . FORK-END, adjusting . . NUT, lock, 1/2" BSF	1 1	DTD683 -	DA1/18 DA1/54
EEAS13/1 EEAS.14 EEAS63/E EEAS127 SP90C7	Attaching parts for control tubes:- . Bolt . Bush . Nut . Piece, distance . Pin, split, 1/16" dia	2 2 2 2 2	S96 S96 S96 S96 -	DA1/14 DA1/15 DA1/20 DA1/19 DA1/19A
EA3.45.545	. UNIT SNATCH, ELEVATOR, CONTROL INSTALLATION (MOD 4435) Spares for:-	1	-	DA4/1
EA1.45.609 EA3.45.437	. . BRACKET . . BUSH	1 1	- -	DA4/2 DA4/3
or MBEU/1806/EE AGS2002E1 SP90C5 EA1.45.747 EA1.45.613	. . BUSH . . NUT, thin, 1/4" BSF . . PIN, split, 1/16" dia . . PLATE, packing . . STUD	1 2 1 2 1	- - - - L65	DA4/7 DA4/4 DA4/5 DA4/6
or MBEU/1805/EE	. . STUD	1	-	
EA1.45.611	. . SUPPORT Attaching parts for EA1.45.611:-	1	-	DA4/9
A25/4C AGS2001/C1-66 HELLERMAN- INSULOID LKOX-HS-B	. . Bolt, 2BA . . Nut, 2BA . . TIE, cable, insulox block	4 4 QR	- - -	DA4/10 DA4/11
MARTIN BAKER MBCJ/2106 SP15E	. . UNIT, snatch . . WASHER	1 2	- -	DA4/12 DA4/8

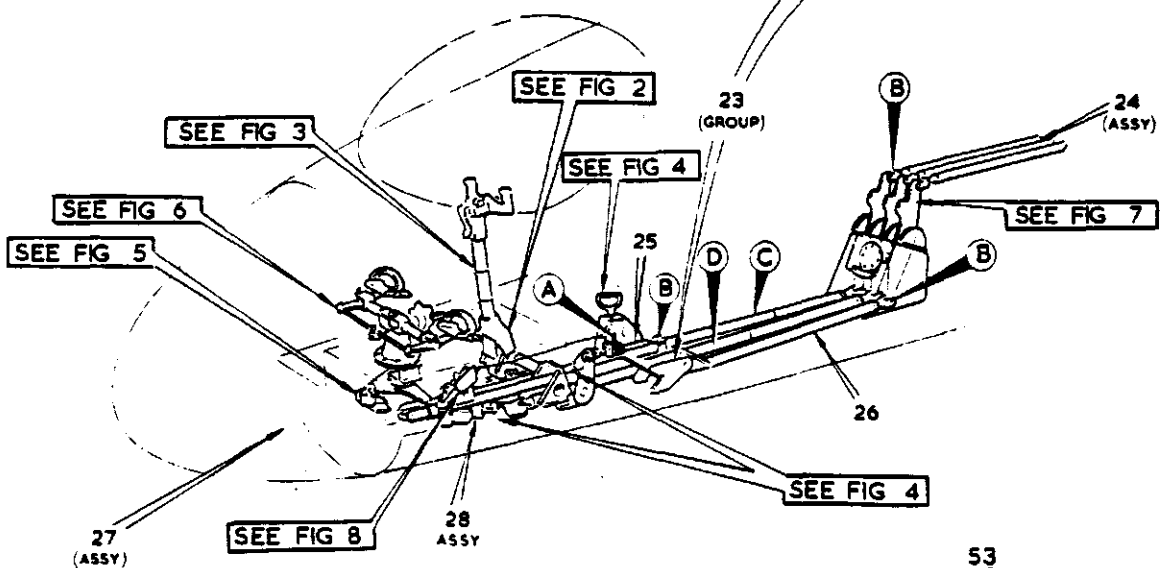
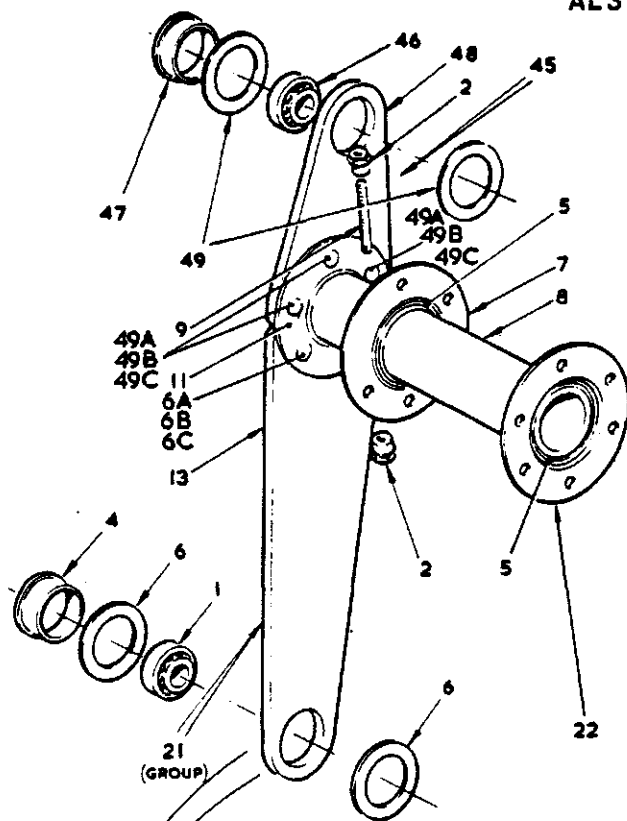


DETAIL A



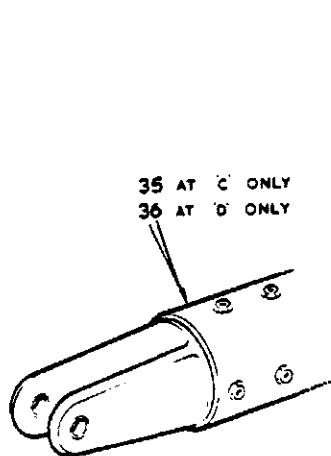
DETAIL B

51  
52  
54

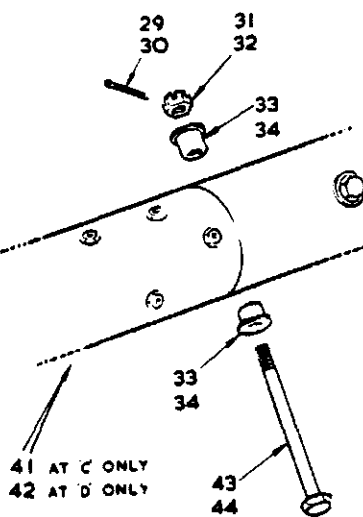


27 (ASSY)

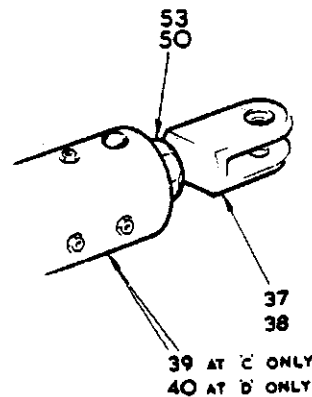
28 ASSY



35 AT C ONLY  
36 AT D ONLY



41 AT C ONLY  
42 AT D ONLY



DETAIL C  
DETAIL D

39 AT C ONLY  
40 AT D ONLY

FIG. I FLYING CONTROLS IN COCKPIT

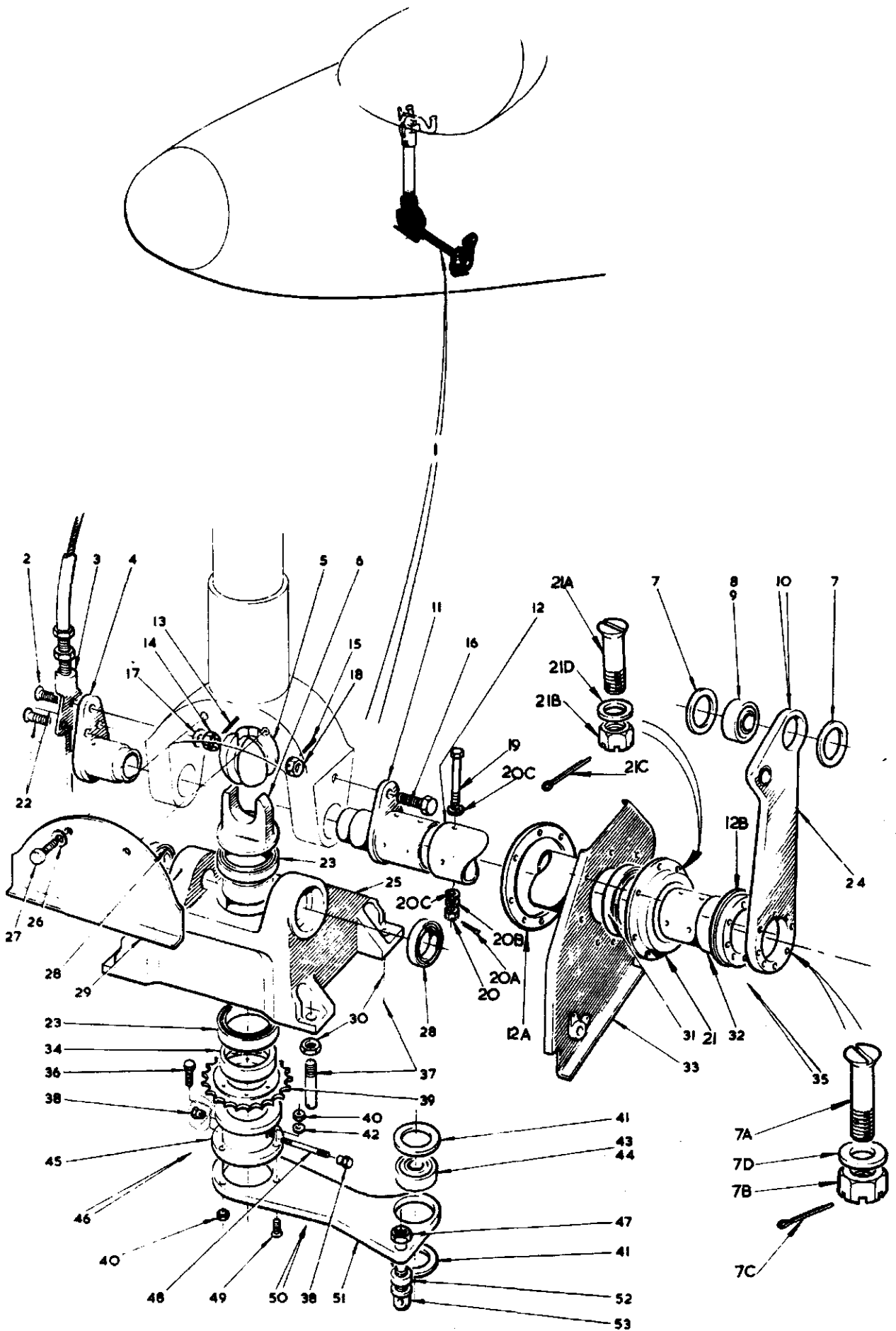


FIG. 2 FLYING CONTROLS IN COCKPIT



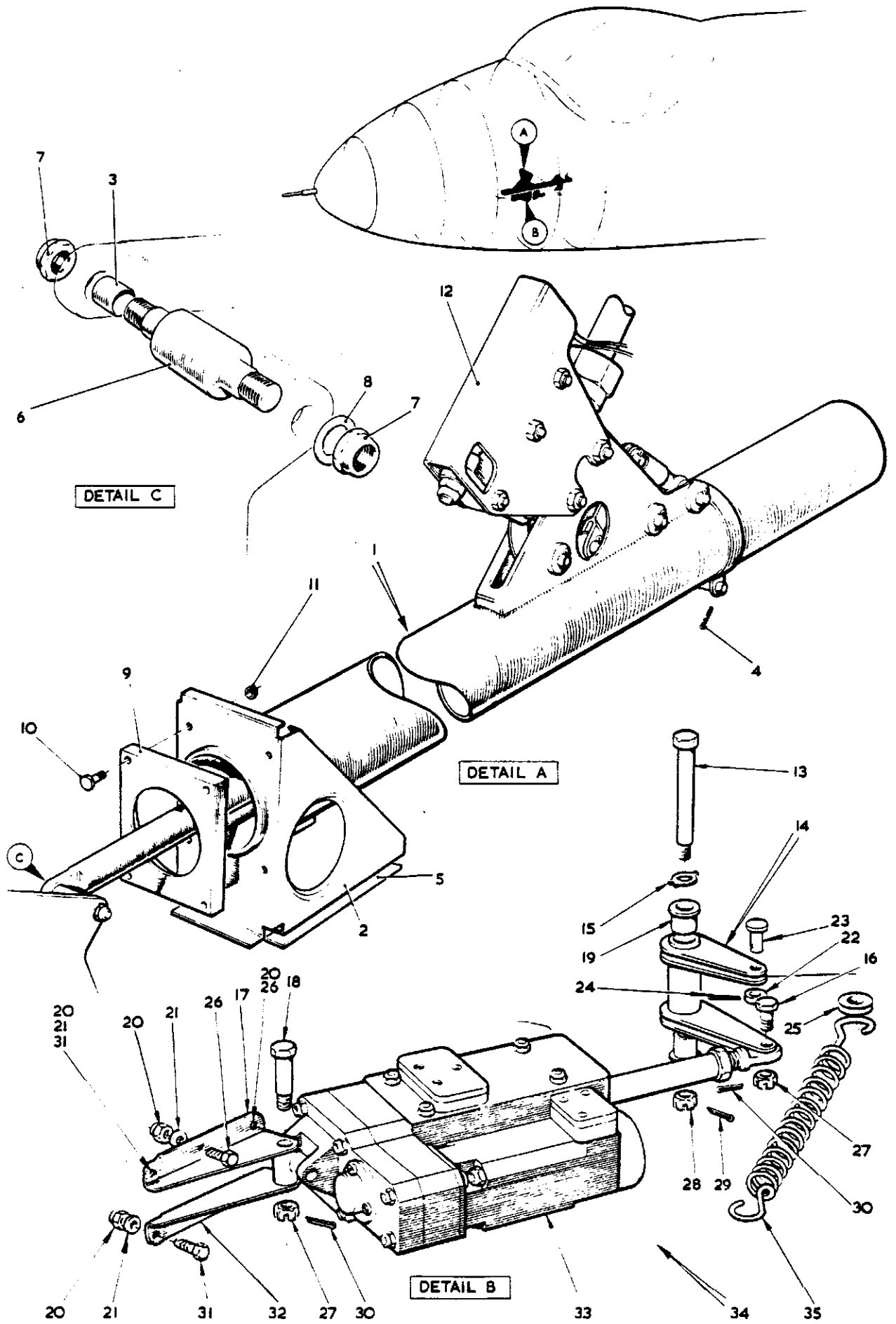


FIG. 4 FLYING CONTROLS IN COCKPIT

CODE Z

SECT. DA

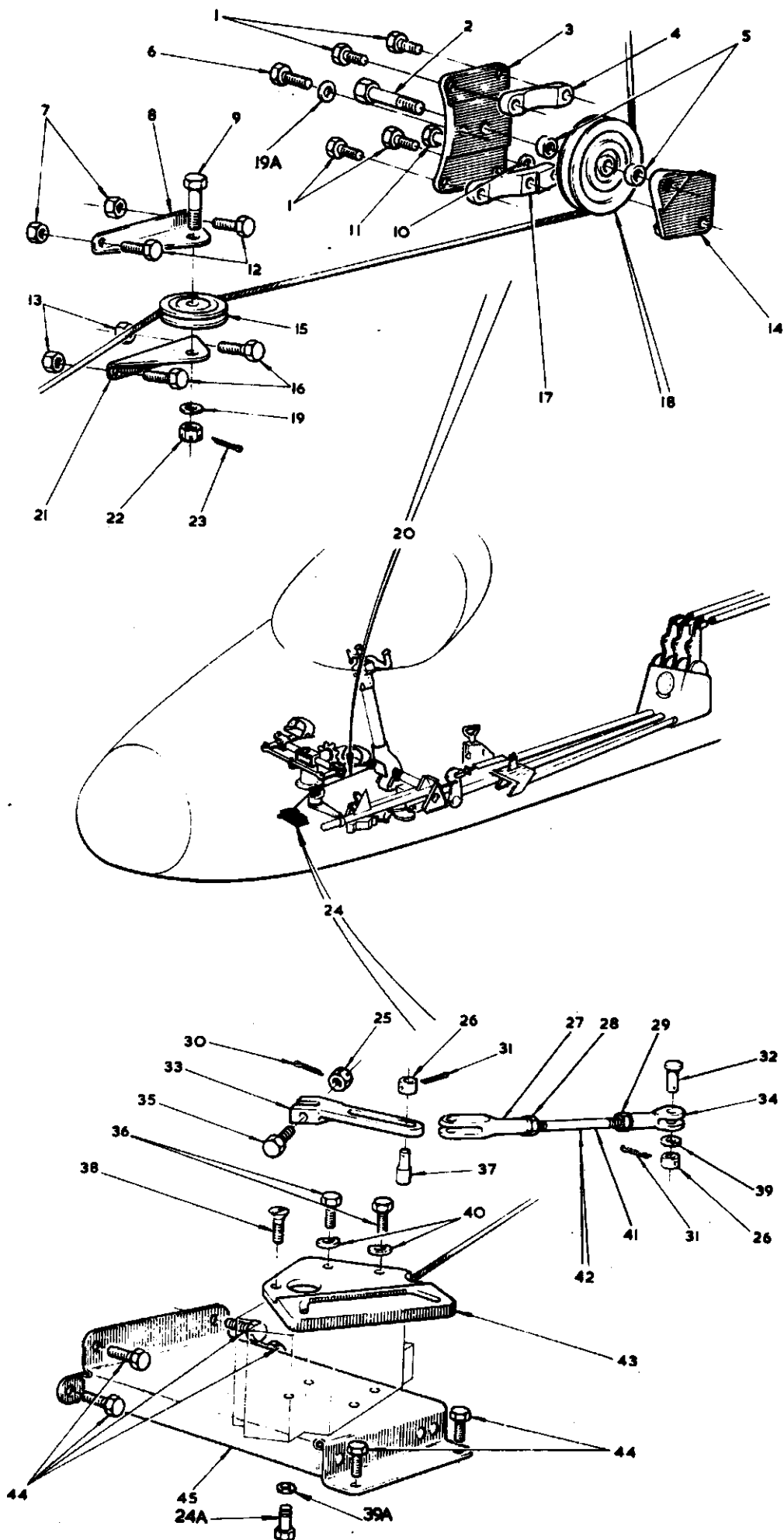


FIG. 5 FLYING CONTROLS IN COCKPIT

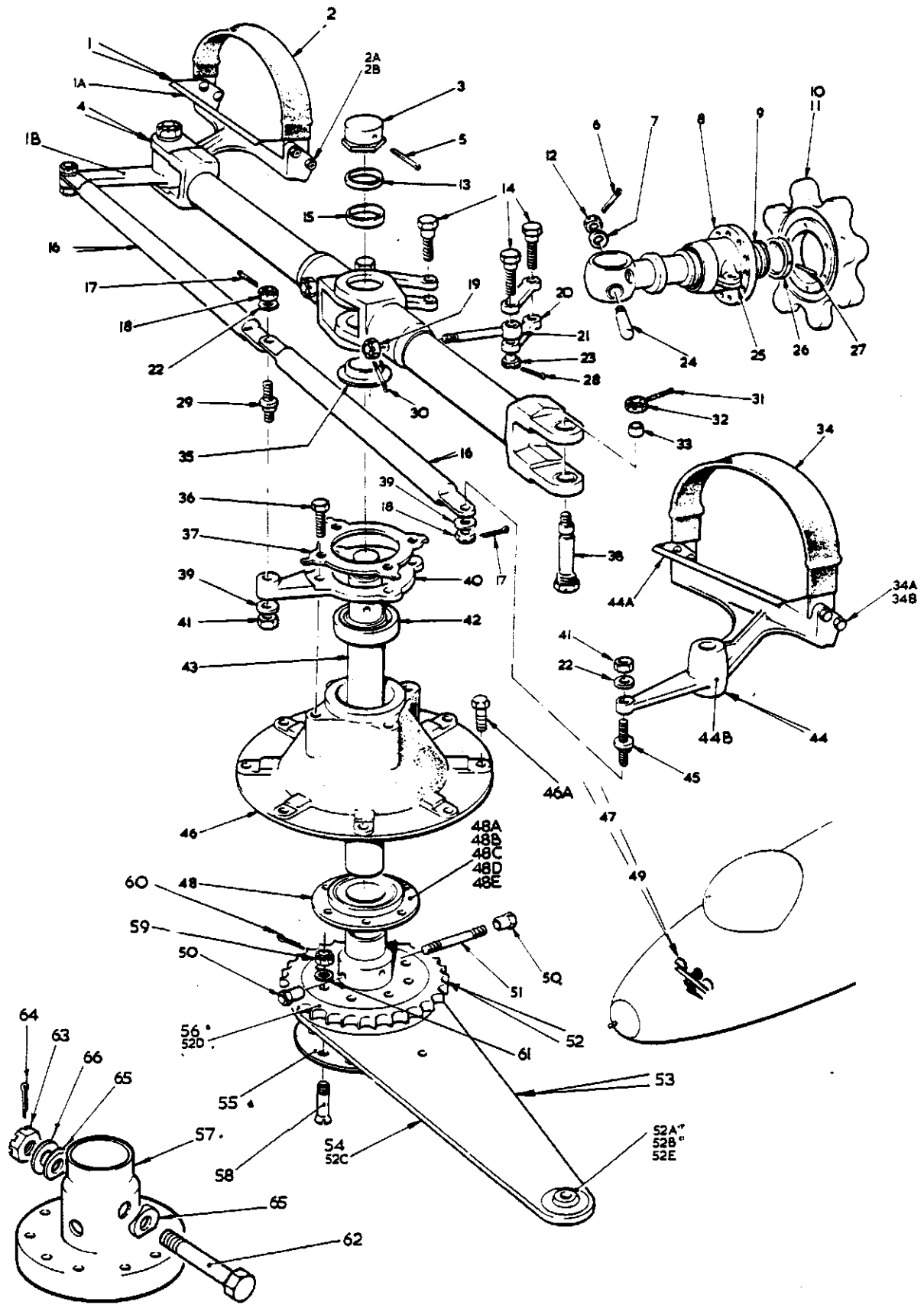


FIG. 6 FLYING CONTROLS IN COCKPIT

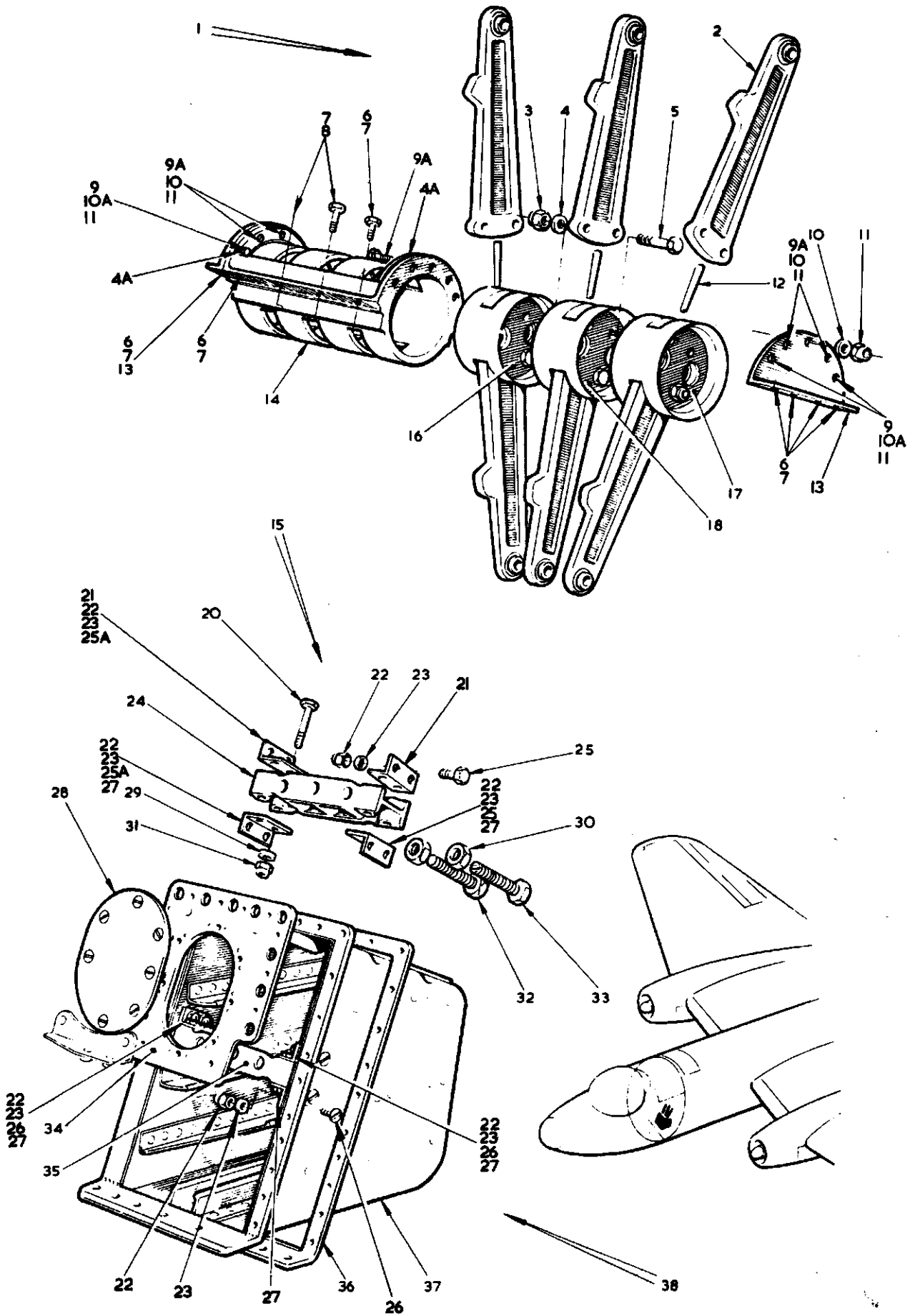


FIG. 7 FLYING CONTROLS IN COCKPIT

CODE 2

SECT DA

This file was downloaded  
from the RTFM Library.

Link: [www.scottbouch.com/rtfm](http://www.scottbouch.com/rtfm)

Please see site for usage terms,  
and more aircraft documents.

