

CONTROLS  
FLYING CONTROLS IN CENTRE FUSELAGE

Part Number	Description	No. Off						Matl. Spec.	Plate No.	
		1	2	3	4	5	6			
EA3.45.379	CONTROLS, FLYING, IN CENTRE FUSELAGE ASSEMBLY							-	-	DB1/1
R EA1.45.215	Spares for:- LEVERS, AILERON, AND MOUNTING AT FRAME 22, ASSEMBLY (PRE-MOD 4956) (For Aircraft Not Embodying Mod 5100)							1	-	DB1/2
EA1.45.217	Spares for:- LEVER, ASSEMBLY							1	-	DB1/3
HOFFMAN T21	BEARING, ballrace							1	-	DB1/4
EA1.45.223	LEVER, top assembly							1	-	DB1/5
EA1.45.225	LEVER, bottom assembly							1	-	DB1/6
EA1.45.1031	SPINDLE							1	-	DB1/7
EA1.45.243	SPOOL, retaining							1	-	DB1/8
EEAS37-14A	Attaching parts for EA1.45.243:- Nipple							4	-	DB1/9
EEAS38-2A	Spoke							2	S96	DB1/10
R EA3.00.5427	LEVER, AILERON AND MOUNTING AT FRAME 22, ASSEMBLY (EA3.45.5105) (MOD 4956) (For Aircraft Embodying Mod 5100)							1	-	DB1/2
R EA3.45.5107	Spares for:- LEVER, ASSEMBLY							1	-	DB1/3
HOFFMAN T21	BEARING							2	-	DB1/4
R EA3.45.5161	GUARD							1	-	DB1/11
R A25-1-2C	Attaching parts for EA3.45.5161:- Bolt, 2BA							4	-	DB1/12
R A25-1C	Bolt, 2BA							2	-	DB1/13
R EA3.45.5153	HOUSING							2	-	DB1/14
R A25-2C	Attaching parts for EA3.45.5153:- Bolt, 2BA							8	-	DB1/15
R EA3.45.5109	LEVER, assembly top							1	-	DB1/5
R AS1242-4E	Attaching parts for EA3.45.5109:- Bolt, 1-4" BSF							4	-	DB1/16
R A27ES	Nut, 1-4" BSF							4	-	DB1/17
R SP90C5	Pin, split							4	-	DB1/18
R SP13E	Washer							4	-	DB1/19
R EA3.45.5113	LEVER, assembly, bottom							1	-	DB1/6
R AS1242-5E	Attaching parts for EA3.45.5113:- Bolt, 1-4" BSF							6	-	DB1/20
R A27ES	Nut, 1-4" BSF							6	-	DB1/21
R SP90C5	Pin, split							6	-	DB1/22
R EA3.45.5155	Ring, clamp							1	L65	DB1/23
R SP13E	Washer							6	-	DB1/24
R EA3.45.5121	PLATE, assembly, bottom							1	-	DB1/25
R EA3.45.5117	PLATE, assembly, top							1	-	DB1/26
R EA3.45.5151	SPINDLE							1	S92	DB1/27
R EA3.45.5157	SPOOL, retaining, spindle							1	L65	DB1/28
R EA3.45.5159	Attaching parts for EA3.45.5157:- Bolt, shouldered, 2BA, lower							1	S97	DB1/29
R EEAS95-16E	Bolt, 1-4" BSF, upper							1	-	DB1/30
R A27CS	Nut, 2BA							1	-	DB1/31
R A27ES	Nut, 1-4" BSF							1	-	DB1/32
R SP90C5	Pin, split							2	-	DB1/33
R EA3.45.5167	Washer, saddle (Make from AS1903E12)							4	-	DB1/34
R SP13C	Washer, lower bolt (if required)							1	-	DB1/35
R A25-1C	Attaching parts for EA3.00.5427:- Bolt, 2BA							14	-	DB1/36
R A25-2C	Bolt, 2BA							10	-	DB1/37
R A25-11C	Bolt, 2BA							2	-	DB1/38
R AGS2001C1-66	Nut, 2BA							14	-	DB1/39
R EA3.45.5209	Washer, profile, 12 SWG							2	L72	DB1/53
R SP13C	Washer							28	-	DB1/54

## CONTROLS

## FLYING CONTROLS IN CENTRE FUSELAGE

Part Number	Description	No. Off	Mati. Spec.	Plate No.
EA1.45.245	. LEVERS, AILERON, IDLE, AT FRAME 22, ASSEMBLY (PRE-MOD 4956) (For Aircraft Not Embodying Mod 5100)	1	-	DB2/1
EA3.45.5181	. LEVERS, AILERON IDLE, AT FRAME 22, ASSEMBLY (MOD 4956) (For Aircraft Embodying Mod 5100)	1	-	
T17	. BEARING, ballrace	2	-	DB2/2
EA1.45.251	. HOUSING, ballrace (Pre-Mod 4956)	2	-	DB2/3
EA3.45.5205	. HOUSING, ballrace (Mod 4956)	2	-	
	Attaching parts for EA3.45.5205 or EA1.45.251:-			
AS1242/2C	. Bolt, 2BA	8	-	DB2/4
A25/2C	. Bolt, 2BA	8	-	DB2/5
AGS2001C1/66	. Nut, 2BA	8	-	DB2/6
EA3.45.5207	. Ring, clamp	1	-	DB2/7
EA3.45.5211	. Shim, laminated	1	-	DB2/8
SP13C	. Washer, 2BA	8	-	DB2/9
EA1.45.224	. LEVER, ASSEMBLY (PRE-MOD 4956)	1	-	DB2/10
EA3.45.5193	. LEVER, ASSEMBLY (MOD 4956) Spares for:-	1	-	
CBA2	. BEARING, ballrace	2	-	DB2/11
EEAS3D	. HOUSING, ballrace	2	-	DB2/12
EA1.45.238	. LEVER (Pre-Mod 4956)	1	-	DB2/13
EA3.45.5195	. LEVER (Mod 4956)	1	-	
EEAS4-20C	. WASHER, packing	4	-	DB2/14
	Attaching parts for EA3.45.5193 or EA1.45.224:-			
AS1242/4E	. Bolt, 1/4" BSF	6	-	DB2/15
A27ES	. Nut, 1/4" BSF	6	-	DB2/16
SP90C5	. Pin, split	6	-	DB2/17
SP16E	. Washer, thick	6	-	DB2/18
EA1.45.253	. SPINDLE (Pre-Mod 4956)	1	-	DB2/19
EA3.45.5203	. SPINDLE (Mod 4956) Attaching parts for EA3.45.5181 or EA1.45.245:-	1	-	
A25/1C	. Bolt, 2BA	18	-	DB2/20
AGS2001C1/66	. Nut, 2BA	18	-	DB2/21
SP13C	. Washer, 2BA	18	-	DB2/22
EA1.45.485	. SUPPORT, CONTROL TUBE BETWEEN FRAMES 12 AND 13 ASSEMBLY Spares for:-	1	-	DB1/40
EA1.45.545	. ANGLE	1	-	DB1/42
EA1.45.547	. ANGLE	1	-	DB1/43
FS515	. BEARING, roller	3	-	DB1/41
EA1.45.463	. SUPPORT	1	-	DB1/44
	Attaching parts for EA1.45.485:-			
A25-3C	. Bolt, 2BA	6	-	DB1/45
A27CP	. Nut, 2BA	6	-	DB1/46
EA1.45.487	. SUPPORT, CONTROL TUBE AT FRAME 15, ASSEMBLY Spares for:-	1	-	DB1/47
FS515	. BEARING, roller	3	-	DB1/48
EA1.45.465	. SUPPORT	1	-	DB1/49
	Attaching parts for EA1.45.487:-			
A25-4C	. Bolt, 4BA	6	-	DB1/50
A27CP	. Nut, 2BA	6	-	DB1/51
EEAS15-64-11OHR	. Strip, packing	3	-	DB1/52

CONTROLS  
FLYING CONTROLS IN CENTRE FUSELAGE

Part Number	Description	No. Off	Matl. Spec.	Plate No.
EA1.45.489	SUPPORT, CONTROL TUBE, AT FRAME 20 ASSEMBLY Spares for:—	1	—	DB2/23
FS515	BEARING, roller	3	—	DB2/24
EA1.45.467	SUPPORT Attaching parts for EA1.45.489:—	1	—	DB2/25
A25/3C	Bolt, 2BA	6	—	DB2/26
A27CP	Nut, 2BA	6	—	DB2/27
EEAS15/64/110NR	Strip, packing	3	—	DB2/28
EA1.45.491	SUPPORT, CONTROL TUBE, AT FRAME 23 ASSEMBLY Spares for:—	1	—	DB2/29
FS515	BEARING, roller	2	—	DB2/30
EA1.45.469	SUPPORT Attaching parts for EA1.45.491:—	1	—	DB2/31
A25/4C	Bolt, 2BA	4	—	DB2/32
A27CP	Nut, 2BA	4	—	DB2/33
EA1.45.497	SUPPORT, CONTROL TUBE, AT FRAME 30A ASSEMBLY Spares for:—	1	—	DB2/34
FS515	BEARING, roller	2	—	DB2/35
EA1.45.699	SUPPORT, CONTROL TUBE, AT FRAME 27 ASSEMBLY Spares for:—	1	—	DB2/36
FS515	BEARING, roller	2	—	DB2/37
EA3.45.359	TUBE, CONTROL, ELEVATOR AND RUDDER ASSEMBLY (PRE-MOD 4930)	6	—	DB3/1
EA3.45.673	TUBE, CONTROL, ELEVATOR AND RUDDER ASSEMBLY (MOD 4930) (PRE-MOD 5473)	6	—	
EA3.45.743	TUBE, CONTROL, ELEVATOR AND RUDDER ASSEMBLY (MOD 5473) Spares for:—	6	—	
EEAS130	END-FITTING, c/w ballrace (PRE-MOD 5473)	1	DTD683	DB3/2
EA3.45.767	END-FITTING (MOD 5473)	1	—	
EEAS131/2	FORK-END (PRE-MOD 5473)	1	—	DB3/3
EA3.45.765	FORK-END (MOD 5473)	1	—	
EA3.45.361	TUBE (PRE-MOD 5473)	1	—	
EA3.45.785	TUBE (MOD 5473)	1	—	DB3/28
EA3.45.371	TUBE, CONTROL, BETWEEN FRAMES 12 AND 15 ASSEMBLY (PRE-MOD 4930)	3	—	DB3/4
EA3.45.679	TUBE, CONTROL, BETWEEN FRAMES 12 AND 15 ASSEMBLY (MOD 4930) (PRE-MOD 5473)	3	—	
EA3.45.749	TUBE, CONTROL, BETWEEN FRAMES 12 AND 15 ASSEMBLY (MOD 5473) Spares for:—	3	—	
EEAS130	END-FITTING (PRE-MOD 5473)	1	—	DB3/2
EA3.45.767	END-FITTING (MOD 5473)	1	—	
EEAS131/2	FORK-END (PRE-MOD 5473)	1	—	DB3/3
EA3.45.765	FORK-END (MOD 5473)	1	—	
EA3.45.361	TUBE (PRE-MOD 5473)	1	—	
EA3.45.785	TUBE (MOD 5473)	1	—	DB3/28
EA3.45.371	TUBE, CONTROL, BETWEEN FRAMES 12 AND 15 ASSEMBLY (PRE-MOD 4930)	3	—	DB3/4
EA3.45.679	TUBE, CONTROL, BETWEEN FRAMES 12 AND 15 (MOD 4930) (PRE-MOD 5473)	3	—	
EA3.45.749	TUBE, CONTROL, BETWEEN FRAMES 12 AND 15 ASSEMBLY (MOD 5473) Spares for:—	3	—	
EEAS130	END-FITTING (PRE-MOD 5473)	1	—	DB3/2
EA3.45.767	END-FITTING (MOD 5473)	1	—	

R

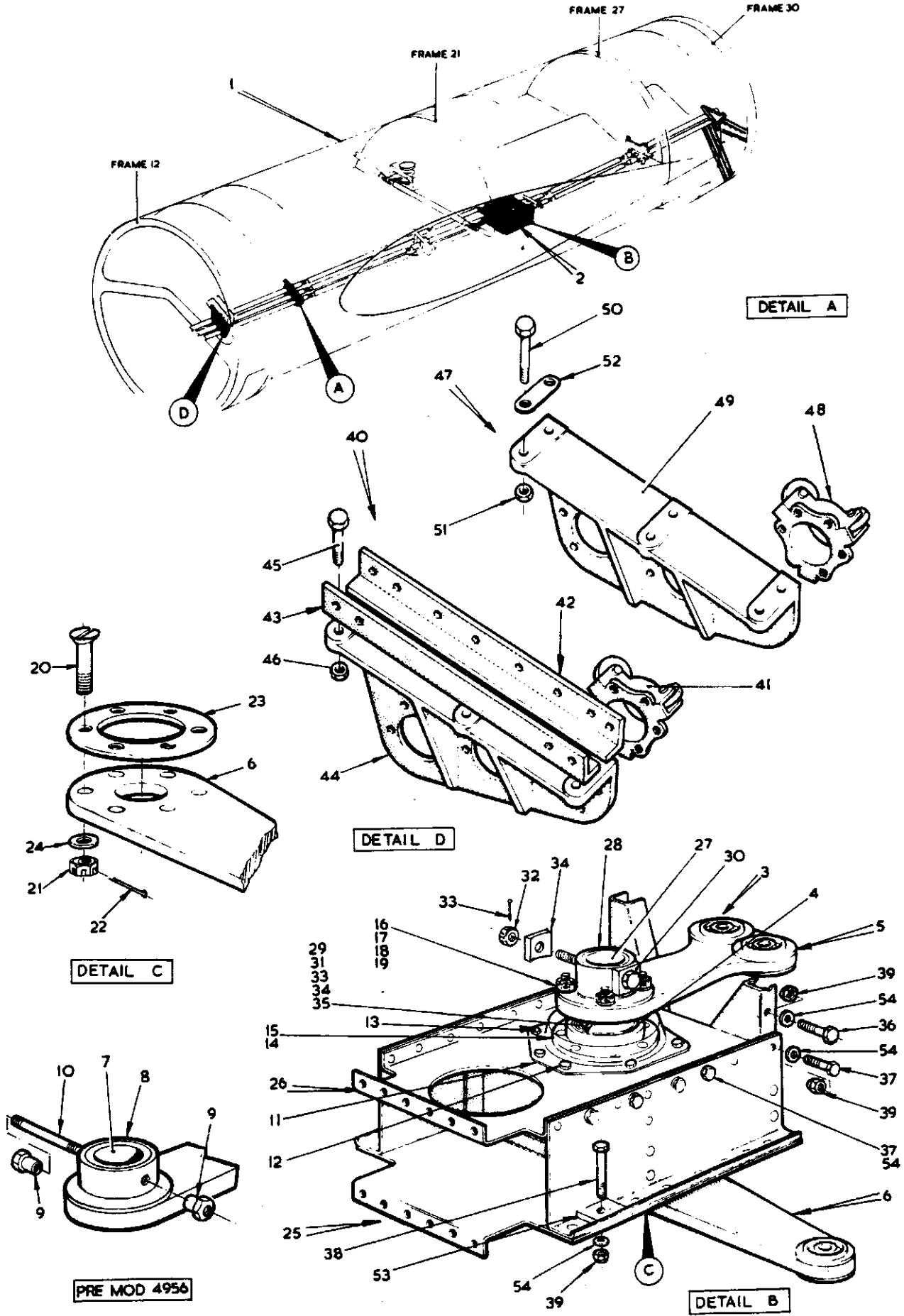
CONTROLS  
FLYING CONTROLS IN CENTRE FUSELAGE

Part Number	Description	No. Off	Matl. Spec.	Plate No.
R EEAS131/2	. . . FORK-END (PRE-MOD 5473)	1	-	DB3/3
R EA3.45.765	. . . FORK-END (MOD 5473)	1	-	
R EA3.45.373	. . . TUBE (PRE-MOD 5473)	1	-	
R EA3.45.791	. . . TUBE (MOD 5473)	1	-	DB3/29
R EA3.45.355	. . . TUBE, CONTROL, BETWEEN FRAMES 15 AND 20 ASSEMBLY (PRE-MOD 4930)	1	-	DB3/5
R EA3.45.671	. . . TUBE, CONTROL, BETWEEN FRAMES 15 AND 20 ASSEMBLY (MOD 4930) (PRE-MOD 5473)	1	-	
R EA3.45.741	. . . TUBE, CONTROL, BETWEEN FRAMES 15 AND 20 ASSEMBLY (MOD 5473) Spares for:-	1	-	
R EEAS130	. . . END-FITTING (PRE-MOD 5473)	1	-	DB3/2
R EA3.45.767	. . . END-FITTING (MOD 5473)	1	-	
R EEAS131/2	. . . FORK-END (PRE-MOD 5473)	1	-	DB3/3
R EA3.45.765	. . . FORK-END (MOD 5473)	1	-	
R EA3.45.357	. . . TUBE (PRE-MOD 5473)	1	-	
R EA3.45.783	. . . TUBE (MOD 5473)	1	-	DB3/30
R EA3.45.367	. . . TUBE, CONTROL, BETWEEN FRAME 20 AND AILERON LEVER ASSEMBLY (PRE-MOD 4930)	1	-	
R EA3.45.677	. . . TUBE, CONTROL, BETWEEN FRAME 20 AND AILERON LEVER ASSEMBLY (MOD 4930) (PRE-MOD 5473)	1	-	
R EA3.45.747	. . . TUBE, CONTROL, BETWEEN FRAME 20 AND AILERON LEVER ASSEMBLY (MOD 5473) Spares for:-	1	-	
R EEAS128	. . . END-FITTING (PRE-MOD 5473)	1	-	DB3/7
R EA3.45.769	. . . END-FITTING (MOD 5473) Attaching parts for EEAS128 or EA3.45.769:-	1	-	
R EEAS37/13A	. . . Nipple	4	-	DB3/8
R EEAS41/2	. . . Pin, sealing	2	-	DB3/9
R AGS2052/19/27	. . . Rivet, tucker (MOD 4930)	2	-	DB3/10
R AGS2045/609	. . . Rivet	2	-	DB3/11
R EEAS38/1A	. . . Spoke	2	-	DB3/12
R EEAS47/2	. . . FORK-END, adjusting Attaching parts for EEAS47/2:-	1	-	DB3/13
R A29NP	. . . Nut, 1/2" BSF	1	-	DB3/14
R EEAS131/2	. . . FORK-END (PRE-MOD 5473)	1	-	DB3/15
R EA3.45.765	. . . FORK-END (MOD 5473) Attaching parts for EEAS131/2 or EA3.45.765:-	1	-	
R EEAS37/13A	. . . Nipple	6	-	DB3/16
R EEAS38/1A	. . . Spoke	3	-	DB3/17

## CONTROLS

## FLYING CONTROLS IN CENTRE FUSELAGE

Part Number	Description	No. Off	Mati. Spec.	Plate No.
R EA3.45.369	. . TUBE (PRE-MOD 5473)	1	-	
R EA3.45.789	. . TUBE (MOD 5473)	1	-	DB3/31
R EA3.45.363	. . TUBE, CONTROL AT FRAME 21 ASSEMBLY (PRE-MOD 4930)	1	-	DB3/18
R EA3.45.675	. . TUBE, CONTROL, AT FRAME 21 ASSEMBLY (MOD 4930) (PRE-MOD 5473)	1	-	
R EA3.45.745	. . TUBE, CONTROL, AT FRAME 21 ASSEMBLY (MOD 5473)	1	-	
R EEAS131/2	. . FORK-END (PRE-MOD 5473)	2	-	DB3/19
R EA3.45.765	. . FORK-END (MOD 5473)	2	-	
R EEAS37/13A	. . Attaching parts for EEAS131/2 or EA3.45.765:-			
R	. . Nipple	6	-	DB3/20
R EEAS38/1A	. . Spoke	3	-	DB3/21
R EA3.45.365	. . TUBE (PRE-MOD 5473)	1	-	
R EA3.45.787	. . TUBE (MOD 5473)	1	-	DB3/32
R EA3.45.375	. . TUBE, CONTROL, BETWEEN FRAMES 23 AND 27 ASSEMBLY (PRE-MOD 4930)	2	-	DB3/22
R EA3.45.681	. . TUBE, CONTROL, BETWEEN FRAMES 23 AND 27 ASSEMBLY (MOD 4930) (PRE-MOD 5473)	2	-	
R EA3.45.751	. . TUBE, CONTROL, BETWEEN FRAMES 23 AND 27 ASSEMBLY (MOD 5473)			
R EEAS130	. . Spares for:-			
R	. . END-FITTING, c/w ballrace (PRE-MOD 5473)	1	-	DB3/2
R EA3.45.767	. . END-FITTING, (MOD 5473)	1	-	
R EEAS131/2	. . FORK-END (PRE-MOD 5473)	1	-	DB3/3
R EA3.45.765	. . FORK-END (MOD 5473)	1	-	
R EA3.45.377	. . TUBE (PRE-MOD 5473)	1	-	
R EA3.45.793	. . TUBE (MOD 5473)	1	-	
R EEAS13/1	. . Attaching parts for control tubes:-			
R	. . Bolt, special	2	-	DB3/23
R EEAS14	. . Bush	2	-	DB3/24
R EEAS63E	. . Nut	2	-	DB3/25
R EEAS127	. . Piece, distance	2	-	DB3/26
R SP90C7	. . Pin, split	2	-	DB3/27



PRE MOD 4956

FIG 1 FLYING CONTROLS IN CENTRE FUSELAGE

SECT DB

CODE RZ

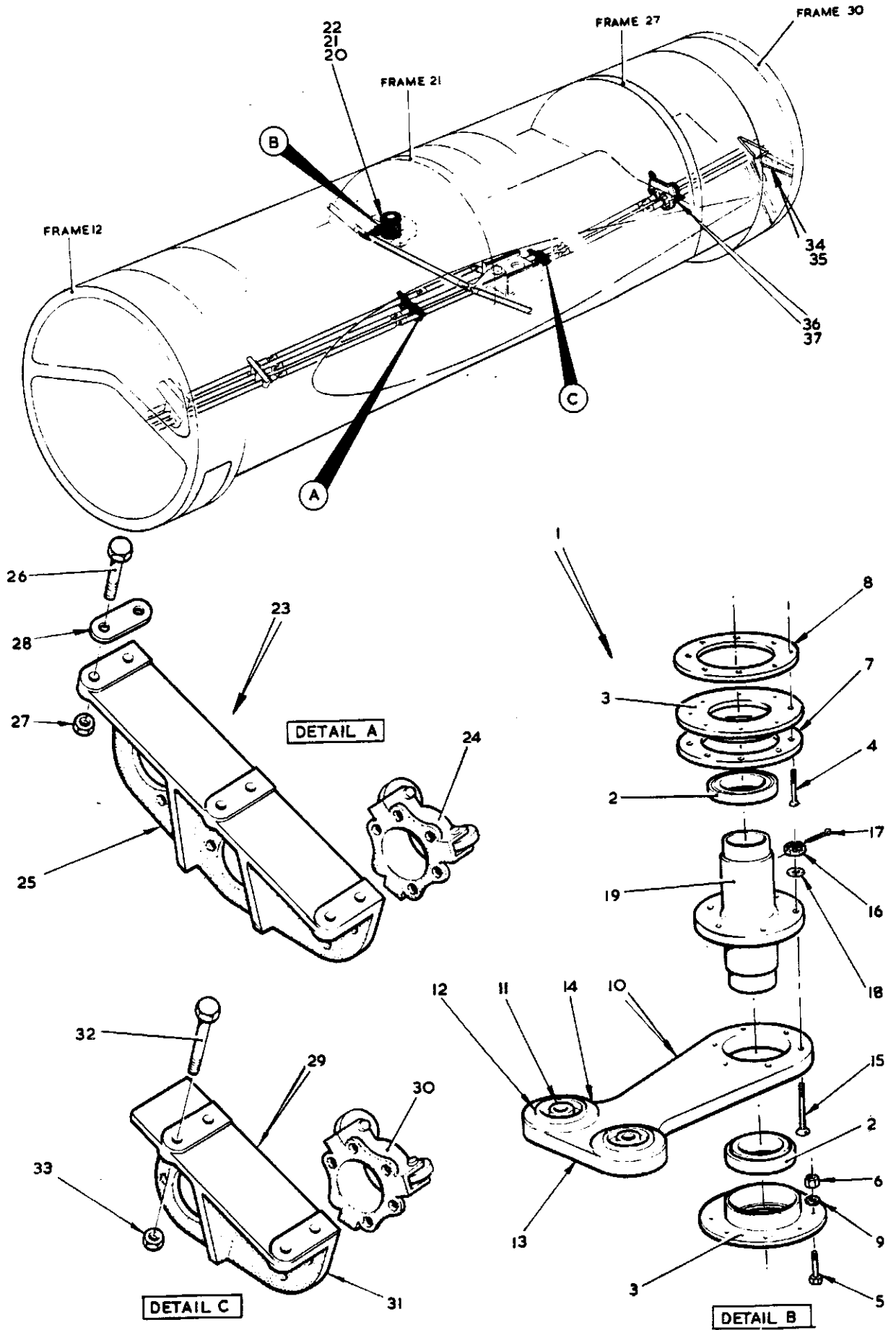


FIG2 FLYING CONTROLS IN CENTRE FUSELAGE

CODE RSZ

SECT DB

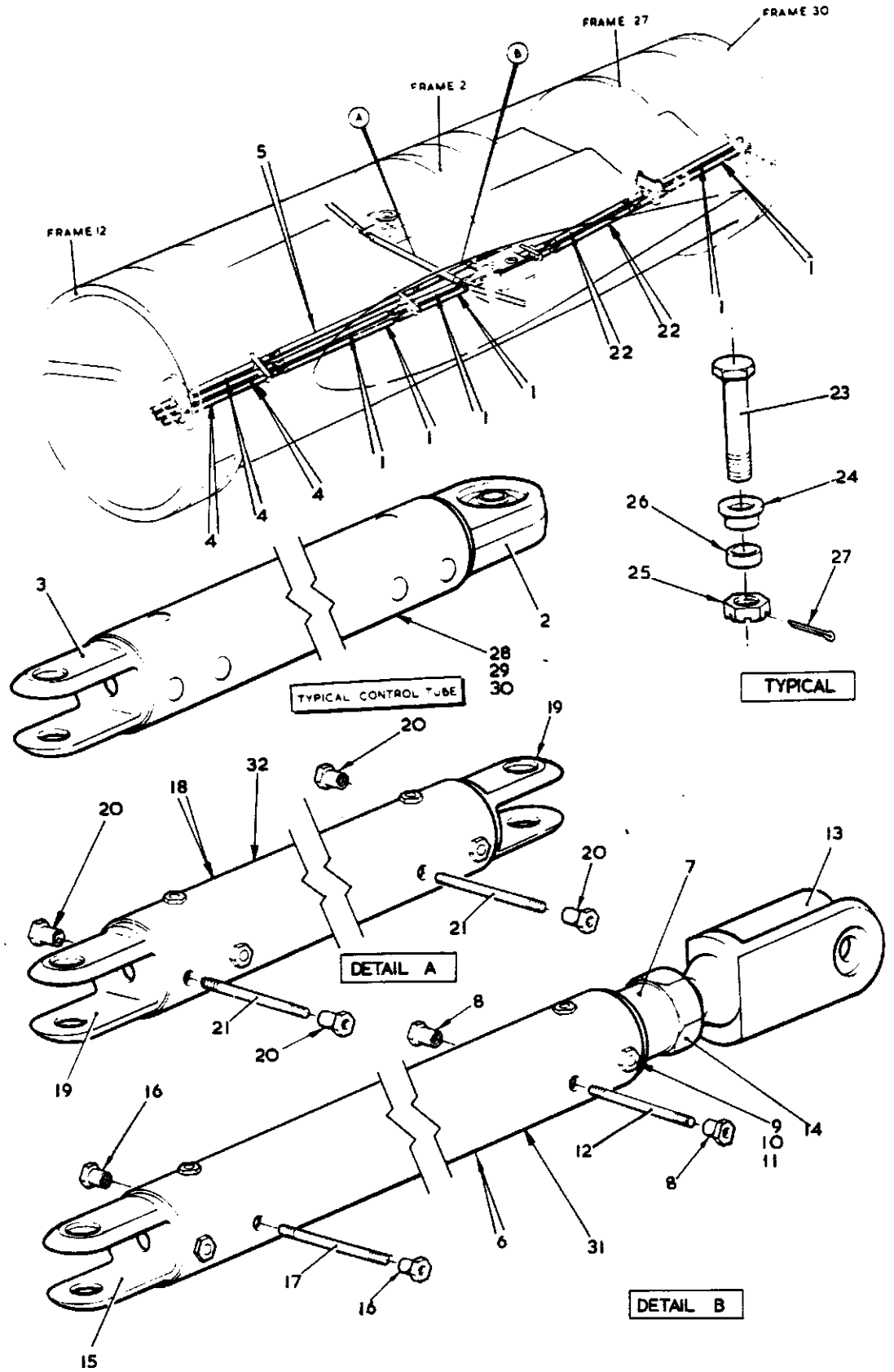


FIG.3 FLYING CONTROLS IN CENTRE FUSELAGE

This file was downloaded  
from the RTFM Library.  
Link: [www.scottbouch.com/rtfm](http://www.scottbouch.com/rtfm)  
Please see site for usage terms,  
and more aircraft documents.

