

CONTROLS
FLYING CONTROLS IN REAR FUSELAGE

Part Number	Description	No. Off	Matl. Spec.	Plate No.
EA3.45.385	CONTROLS, FLYING IN REAR FUSELAGE, ASSEMBLY Spares for:—	—	—	
EA1.45.601	. LEVERS, CONTROL AND MOUNTING OF BRACKETS AT FRAME 42, ASSEMBLY Spares for:—	1	—	
EA1.45.1193	. . LEVER, CONTROL, ELEVATOR ASSEMBLY Spares for:—	1	—	DC1/1
HOFFMANN CS1	. . . BEARING, ballrace	2	—	DC1/2
SKEFKO CBA2	. . . BEARING, ballrace	3	—	DC1/3
EA1.45.573	. . . BOBBIN	1	L40	DC1/4
EA1.45.577	. . . BUSH, distance	1	L40	DC1/5
EEAS3D	. . . HOUSING, ballrace	3	L40	DC1/6
EA1.45.1191	. . . LEVER Attaching parts for EA1.45.1191:—	1	—	DC1/7
A25/4C	. . . Bolt, 2BA	4	—	DC1/8
A27CP	. . . Nut, 2BA	4	—	DC1/9
SP16C	. . . Washer	4	—	DC1/10
EEAS4/20C	. . . WASHER, packing Attaching parts for EA1.45.1193:—	6	L72	DC1/11
EEAS13/6	. . Bolt, special	1	—	DC1/12
A58ES	. . Nut, slotted, 1/4" BSF	1	—	DC1/12A
SP90C7	. . Pin, split, 1/16" dia	1	—	DC1/12B
SP15E	. . Washer	1	—	DC1/46
EA1.45.561	. . LEVER, CONTROL, RUDDER, ASSEMBLY Spares for:—	1	—	DC1/13
HOFFMANN CS1	. . . BEARING, ballrace	2	—	DC1/14
EA1.45.575	. . . BOBBIN Attaching parts for EA1.45.575:—	1	L40	DC1/15
A25/5C	. . . Bolt, 2BA	4	—	DC1/15A
A27CT	. . . Nut, 2BA	4	—	DC1/15B
SP16C	. . . Washer	4	—	DC1/15C
EA1.45.577	. . . BUSH, distance	1	L40	DC1/16
EA1.45.569	. . . LUG, c/w ballraces Attaching parts for EA1.45.561:—	1	—	DC1/17
EEAS13/7	. . Bolt, special	1	S96	DC1/18
A58ES	. . Nut, thin, slotted, 1/4" BSF	1	—	DC1/18A
SP90C7	. . Pin, split, 1/16" dia	1	—	DC1/18B
SP15E	. . Washer	1	—	DC1/18C
EA1.45.499	. SUPPORT, CONTROL TUBES, AT FRAME 35, ASSEMBLY Spares for:—	1	—	DC1/19
FAIREY AVIA- TION FS515	. . BEARING, roller	2	—	DC1/20
EA1.45.501	. SUPPORT, CONTROL TUBES, AT FRAME 37, ASSEMBLY Spares for:—	1	—	DC1/21
FAIREY AVIA- TION FS515	. . BEARING, roller	2	—	DC1/22
R EA3.45.267	. TUBE, CONTROL, LETTERED, ELEVATOR AND RUDDER ASSEMBLY (PRE-MOD 4930)	2	—	DC1/23
R EA3.45.649	. TUBE, CONTROL, LETTERED, ELEVATOR AND RUDDER ASSEMBLY (MOD 4930) (PRE-MOD 5473)	2	—	
R EA3.45.725	. TUBE, CONTROL, ELEVATOR AND RUDDER ASSEMBLY (MOD 5473) Spares for:—	2	—	
R EA3.45.297	. . TRANSFER, "DO NOT HANDLE" (PRE-MOD 4930)	1	—	DC1/23A
R EA3.45.375	. . TUBE, control (Pre-Mod 4930)	1	—	DC1/24
R EA3.45.681	. . TUBE, control (Mod 4930) (Pre-Mod 5473)	1	—	
R EA3.45.751	. . TUBE, control (Mod 5473)	1	—	

CONTROLS
FLYING CONTROLS IN REAR FUSELAGE

Part Number	Description	No. Off	Matl. Spec.	Plate No.
R EA3.45.375	. TUBE, control, elevator and rudder (Pre-Mod 4930)	2	—	DC1/25
R EA3.45.681	. TUBE, control, elevator and rudder (Mod 4930) (Pre-Mod 5473)	2	—	
R EA3.45.751	. TUBE, control (Mod 5473)	1	—	
R EA3.45.317	. TUBE, CONTROL, ELEVATOR, FROM CONTROL ARM TO ELEVATOR, ASSEMBLY (PRE-MOD 4930)	1	—	DC1/26
R EA3.45.653	. TUBE, CONTROL, ELEVATOR, FROM CONTROL ARM TO ELEVATOR, ASSEMBLY (MOD 4930) (PRE-MOD 5473)	1	—	
R EA3.45.729	. TUBE, CONTROL, ELEVATOR, FROM CONTROL ARM TO ELEVATOR, ASSEMBLY (MOD 5473) Spares for:—	1	—	
R EA3.45.315	. . END-FITTING (PRE-MOD 5473)	1	—	DC1/26A
R EA3.45.813	. . END-FITTING (MOD 5473)	1	—	
R	. . Attaching parts for EA3.45.315 or EA3.45.813:—			
R EEAS37/13A	. . Nipple	6	—	DC1/26B
R EEAS38/1A	. . Spoke	3	—	DC1/26C
R EEAS47/2	. . FORK-END, adjusting	1	DTD683	DC1/27
R EA3.45.313	. . FORK-END (PRE-MOD 5473)	1	—	DC1/28
R EA3.45.811	. . FORK-END (MOD 5473)	1	—	
R	. . Attaching parts for EA3.45.313 or EA3.45.811:—			
R EEAS37/13A	. . Nipple	8	—	DC1/28A
R EEAS38/1A	. . Spoke	4	—	DC1/28B
R A29NP	. . NUT, 1/2" BSF	1	—	DC1/29
R EA3.45.319	. . TUBE (PRE-MOD 5473)	1	—	DC1/29A
R EA3.45.775	. . TUBE (MOD 5473)	1	—	
R EA3.45.387	. TUBE, CONTROL, ELEVATOR, ASSEMBLY (PRE-MOD 4930)	1	—	DC1/30
R EA3.45.683	. TUBE, CONTROL, ELEVATOR, ASSEMBLY (MOD 4930) (PRE-MOD 5473)	1	—	
R EA3.45.753	. TUBE, CONTROL, ELEVATOR, ASSEMBLY (MOD 5473) Spares for:—	1	—	
R EEAS128	. . END-FITTING (PRE-MOD 5473)	1	—	DC1/30A
R EA3.45.769	. . END-FITTING (MOD 5473)	1	—	
R	. . Attaching parts for EEAS128 or EA3.45.769:—			
R EEAS37/13A	. . Nipple	4	—	DC1/30B
R EEAS38/1A	. . Spoke	2	—	DC1/30C
R EEAS47/2	. . FORK-END, adjusting	1	DTD683	DC1/31
R EEAS131/2	. . FORK-END (PRE-MOD 5473)	1	—	DC1/32
R EA3.45.765	. . FORK-END (MOD 5473)	1	—	
R	. . Attaching parts for EEAS131/2 or EA3.45.765:—			
R EEAS37/13A	. . Nipple	6	—	DC1/32A
R EEAS38/1A	. . Spoke	3	—	DC1/32B
R A29NP	. . Nut, 1/2" BSF	1	—	DC1/33
R EA3.45.373	. . TUBE (PRE-MOD 5473)	1	—	DC1/33A
R EA3.45.791	. . TUBE (MOD 5473)	1	—	

CONTROLS
FLYING CONTROLS IN REAR FUSELAGE

	Part Number	Description	No. Off						Mati. Spec.	Plate No.
			1	2	3	4	5	6		
R	EA3.45.115	. TUBE, CONTROL, RUDDER, FROM CONTROL ARM TO RUDDER ASSEMBLY (PRE-MOD 4930)						1	-	DC1/34
R	EA3.45.647	. TUBE, CONTROL, RUDDER, FROM CONTROL ARM TO RUDDER ASSEMBLY (MOD 4930)						1	-	
R	EA3.45.723	. TUBE, CONTROL, RUDDER, FROM CONTROL ARM TO RUDDER ASSEMBLY (MOD 5473)						1	-	
R	EEAS128	. . END-FITTING (PRE-MOD 5473)						1	-	DC1/34A
R	EA3.45.769	. . END-FITTING (MOD 5473)						1	-	
R	EEAS37/13A	. . Attaching parts for end-fitting:-								
R	EEAS38/1A	. . Nipple						4	-	DC1/34B
		. . Spoke						2	-	DC1/34C
	EEAS47/2	. . FORK-END, adjusting						1	DTD683	DC1/35
R	EEAS131/2	. . FORK-END (PRE-MOD 5473)						1	-	DC1/36
R	EA3.45.765	. . FORK-END (MOD 5473)						1	-	
R		. . Attaching parts for EEAS131/2 or EA3.45.765:-								
	EEAS37/13A	. . Nipple						6	-	DC1/36A
	EEAS38/1A	. . Spoke						3	-	DC1/36B
	A29NP	. . NUT, 1/2" BSF						1	-	DC1/37
R	EA3.45.113	. . TUBE (PRE-MOD 5473)						1	-	DC1/37A
R	EA3.45.771	. . TUBE (MOD 5473)						1	-	
	EA3.45.393	. TUBE, CONTROL, RUDDER, FROM CONTROL ARM, ASSEMBLY (PRE-MOD 4930)						1	-	DC1/38
	EA3.45.685	. TUBE, CONTROL, RUDDER, FROM CONTROL ARM, ASSEMBLY (MOD 4930) (PRE-MOD 5473)						1	-	
R		. TUBE, CONTROL, RUDDER, FROM CONTROL ARM, ASSEMBLY (MOD 5473)						1	-	
R	EA3.45.755	. TUBE, CONTROL, RUDDER, FROM CONTROL ARM, ASSEMBLY (MOD 5473)						1	-	
R		. . Spares for:-								
R	EEAS128	. . END-FITTING (PRE-MOD 5473)						1	-	DC1/38A
R	EA3.45.769	. . END-FITTING (MOD 5473)						1	-	
R		. . Attaching parts for EEAS128 or EA3.45.769:-								
	EEAS37/13A	. . Nipple						4	-	DC1/38B
	EEAS38/1A	. . Spoke						2	-	DC1/38C
	EEAS47/2	. . FORK-END						1	DTD683	DC1/39
R	EEAS131/2	. . FORK-END (PRE-MOD 5473)						1	-	DC1/40
R	EA3.45.765	. . FORK-END (MOD 5473)						1	-	
R		. . Attaching parts for EEAS131/2 or EA3.45.765:-								
	EEAS37/13A	. . Nipple						6	-	DC1/40A
	EEAS38/1A	. . Spoke						3	-	DC1/40B
	A29NP	. . NUT, 1/2" BSF						1	-	DC1/41
	EA3.45.395	. . TUBE (PRE-MOD 5473)						1	-	DC1/41A
R	EA3.45.795	. . TUBE (MOD 5473)						1	-	
		. . Attaching parts for control tubes :-								
	EEAS13/1	. Bolt, special						2	S11	DC1/42
	EEAS14	. Bush						2	S11	DC1/43
	EEAS63E	. Nut, special						2	S96	DC1/44
	EEAS127	. Piece, distance						2	S96	DC1/45
	SP90C7	. Pin, split, 1/16" dia						2	-	DC1/45A

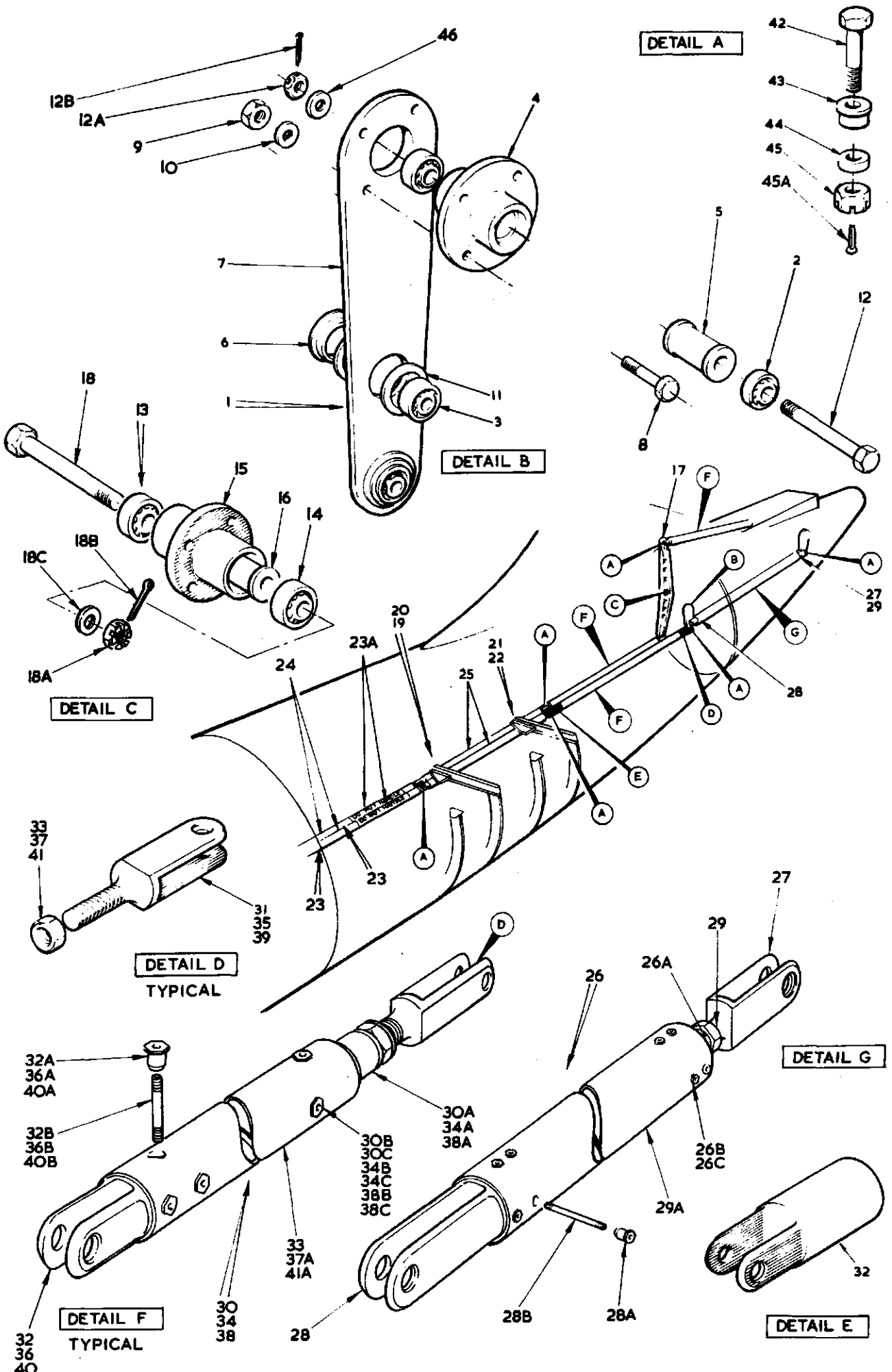


FIG. I FLYING CONTROLS IN REAR FUSELAGE

This file was downloaded
from the RTFM Library.

Link: www.scottbouch.com/rtfm

Please see site for usage terms,
and more aircraft documents.

