

CONTROLS

FLAP OPERATING MECHANISM, PORT

Part Number	Description	No. Off	Matl. Spec.	Plate No.
EA1.20.701	FLAP OPERATING MECHANISM, PORT, ASSEMBLY	-	-	DF1/17
EA1.20.711	Spares for:- BRACKET, flap operating, jack unit support	2	L65	DF1/25
A25/10G	Attaching parts for EA1.20.711:-	2	-	DF1/20
SP15G	. Bolt, 5/16" BSF	2	-	DF1/19
	. Washer	2	-	
EA1.20.885	BRACKET, mounting, flap operating jack unit (Pre-Mod 4781)	4	DTD683	DF1/23
EA3.20.3991	BRACKET, mounting, flap operating jack unit (Mod 4781)	4	S97	
A25/8G	Attaching parts for EA1.20.885 & EA3.20.3991:- Bolt, 5/16" BSF	1	-	DF1/24
EA1.20.3129	BRACKET, mounting, Desynn transmitter	1	L72	DF2/17
A25/1B	Attaching parts for EA1.20.3129:-	6	-	DF2/15
AS1900B	. Bolt, 4BA	1	-	DF2/15A
EA3.20.1011	. CLIP, cable	4	-	DF1/1
	LINK, CONNECTING, FLAP TO OPERATING MECHANISM, ASSEMBLY			
	Spares for:-			
EA3.20.1009	. BEARING	2	-	DF1/1A
EA3.20.1007	. BUSH	2	-	DF1/18
EA3.20.1013	. HOUSING, bearing	1	-	DF1/1C
EA3.20.1015	. HOUSING, bearing	1	-	DF1/1D
EA1.20.797	. PLATE, locking	1	L72	DF1/10
A25/9B	Attaching parts for EA1.20.797:-	2	-	DF1/9
AGS2001B1	. Bolt, 4BA	2	-	DF1/8
SP15B	. Nut, stiff, 4BA	2	-	DF1/7
	. Washer	2	-	
EA1.20.795	. SCREW, adjusting	1	S11	DF1/6
EA1.20.791	. WASHER	2	L65 or L72	DF1/11
SP21	. NIPPLE, lubricating	4	-	DF1/22A
EA1.20.683	PLATE, cover, at rib 3A, for assembly of flap jack unit (Pre-Mod 738)	1	DTD320	DF2/22A
EA3.20.2289	PLATE, cover, at rib 3A, for assembly of flap jack unit (Mod 738)	1	L72	DF2/22
A61/1C	Attaching parts for EA1.20.683 or EA3.20.2289:-	6	-	DF2/20
AGS2001C3	. Bolt, 2BA	6	-	DF2/23
SP15C	. Nut, stiff, 2BA	6	-	DF2/21
	. Washer	6	-	
EA1.20.10777	PLATE, cover at rib 3A, for assembly of flap jack unit	1	L72	DF2/13
A61/1C	Attaching parts for EA1.20.10777:-	6	-	DF2/7
AGS2001C3	. Bolt, 2BA	6	-	DF2/9
SP15C	. Nut, stiff, 2BA	6	-	DF2/8
	. Washer	6	-	
EA1.20.10778	PLATE, cover at rib 3A, for assembly of flap jack unit	1	L72	DF2/31
A61/1C	Attaching parts for EA1.20.10778:-	6	-	DF2/29
AGS2001C3	. Bolt, 2BA	6	-	DF2/32
SP15C	. Nut, stiff, 2BA	6	-	DF2/30
	. Washer	6	-	

R

CONTROLS
FLAP OPERATING MECHANISM, PORT

Part Number	Description	No. Off	Mati. Spec.	Plate No.					
				1	2	3	4	5	6
EA1.20.10779	. PLATE, cover at ribs 3, 4 & 5, for assembly of flap jacks unit	2	L72						DF1/5
A61/1C	. Attaching parts for EA1.20.10779:-	7	-						DF1/2
AGS20001C3	. Bolt, 2BA	7	-						DF1/4
SP15C	. Nut, stiff, 2BA	7	-						DF1/3
	. Washer	7	-						
EA1.20.10780	. PLATE, cover at ribs 3, 4 & 5, for assembly of flap Jack unit	1	L72						DF1/18
A61/1C	. Attaching parts for EA1.20.10780:-	7	-						DF1/14
AGS2001C3	. Bolt, 2BA	7	-						DF1/16
SP15C	. Nut, stiff, 2BA	7	-						DF1/15
	. Washer	7	-						
EA1.20.813	. ROD, PUSH, OUTBOARD FLAP CONTROL, BETWEEN HINGE AND OPERATING JACK, ASSEMBLY	1	-						DF2/28
	Spares for:-								
EA1.20.839	. . BUSH	1	DTD197						DF2/25
EA1.20.827	. . EYE-END	1	L65						DF2/24
EA1.20.825	. . FORK-END	1	L65						DF2/36
EEAS37/15A	. . Attaching parts for EA1.20.827 and EA1.20.825:-	6	S96						DF2/35
EEAS38/2A	. . Nipple	3	S96						DF2/34
SP21	. . Spoke	1	-						DF2/39
EA1.20.805	. . NIPPLE, lubricating	1	S11						DF2/37
SP90G6	. . PIN, special	1	-						DF2/37A
EA1.20.807	. . PIN, split 1/8" dia	1	-						DF2/33
A33B8	. . PLATE, locking	1	L72						
	. Attaching parts for EA1.20.807:-	2	-						DF2/33A
EA1.20.833	. . TUBE	1	-						DF2/33B
EEAS5	. . WASHER, red fibre, for lubricating nipple	1	BSS216						DF2/38
EA1.20.803	. Attaching parts for EA1.20.813:-	1	S11						DF1/22
SP90G6	. Pin, special	1	-						DF1/21
	. Pin, split, 1/8" dia	1	-						
EA1.20.815	. ROD, PUSH, INBOARD AND OUTBOARD FLAP CONTROL, BETWEEN HINGE & OPERATING JACK, ASSEMBLY	2	-						DF1/12
	Spares for:-								
EA1.20.839	. . BUSH	1	DTD197						DF1/12A
EA1.20.827	. . EYE-END	1	L65						DF1/12B
EA1.20.825	. . FORK-END	1	L65						DF1/12C
EEAS37/15A	. . Attaching parts for EA1.20.827 and EA1.20.825:-	6	S96						DF1/12D
EEAS38/2A	. . Nipple	3	S96						DF1/12E
SP21	. . Spoke	1	-						DF1/12F
EA1.20.805	. . NIPPLE, lubricating	1	S11						DF1/12G
SP90G6	. . Pin, special	1	-						DF1/12H
EA1.20.807	. . PIN, split 1/8" dia	1	-						DF1/12J
A33B8	. . PLATE, locking	1	L72						
	. Attaching parts for EA1.20.807:-	2	-						DF1/12K
EA1.20.835	. . TUBE	1	-						DF1/12L
EEAS5	. . WASHER, red fibre, for lubricating nipple	1	BSS216						DF1/12M
EA1.20.803	. Attaching parts for EA1.20.815:-	1	S11						DF1/22
SP90G6	. Pin, special	1	-						DF1/21
	. Pin, split, 1/8" dia	1	-						

CONTROLS

FLAP OPERATING MECHANISM, PORT

Part Number	Description	No. Off	Mati. Spec.	Plate No.
EA1.20.819	. ROD, PUSH, INBOARD FLAP CONTROL BETWEEN HINGE AND OPERATING JACK CONNECTING ARM, ASSEMBLY Spares for:—	1	—	DF1/13
EA1.20.839	. . BUSH	1	DTD197	DF1/13A
EA1.20.827	. . EYE-END	1	L65	DF1/13B
EA1.20.825	. . FORK-END Attaching parts for EA1.20.827 & EA1.20.825:—	1	L65	DF1/13C
EEAS37/15A	. . Nipple	6	S96	DF1/13D
EEAS38/2A	. . Spoke	3	S96	DF1/13E
SP21	. . NIPPLE, lubricating	1	—	DF1/13F
EA1.20.805	. . PIN, special	1	S11	DF1/13G
SP90G6	. . PIN, split, $\frac{1}{8}$ " dia	1	—	DF1/13H
EA1.20.807	. . PLATE, locking Attaching parts for EA1.20.807:—	1	L72	DF1/13J
A33B8	. . Screw, 4BA	2	—	DF1/13K
EA1.20.893	. . TUBE	1	—	DF1/13L
EEAS5	. . WASHER, red fibre, for lubricating nipple Attaching parts for EA1.20.819:—	1	BSS216	DF1/13M
EA1.20.803	. Pin, special	1	S11	DF1/22
SP90G6	. Pin, split, $\frac{1}{8}$ " dia	1	—	DF1/21
EA1.20.3133	. ROD, CONNECTING, FLAP INDICATOR MECHANISM, ASSEMBLY Consisting of:—	1	—	DF2/1
AGS899/2	. . Collar	2	—	DF2/4
EA1.20.881	. . FORK-END	1	L1	DF2/3
EA1.20.883	. . FORK-END, L.H. thread	1	L1	DF2/11
A27CT	. . NUT, thin, 2BA	1	—	DF2/2
A27CTL	. . NUT, thin, 2BA	1	—	DF2/12
SP4Y/B4	. . PIN, shackle	2	—	DF2/6
SP90C7	. . PIN, split, $\frac{1}{16}$ " dia	2	—	DF2/5
EA1.20.3157	. . ROD, adjusting	1	DTD683	DF2/10
6A/2134	. TRANSMITTER, desynn Attaching parts for 6A/2134:—	1	—	DF2/14
A61/2C	. Bolt, 2BA	4	—	DF2/16
AGS2001C3	. Nut, stiff, 2BA	4	—	DF2/19
SP15C	. Washer	4	—	DF2/18
EEAS5	. WASHER, red fibre, for lubricating nipple	4	—	DF1/22B

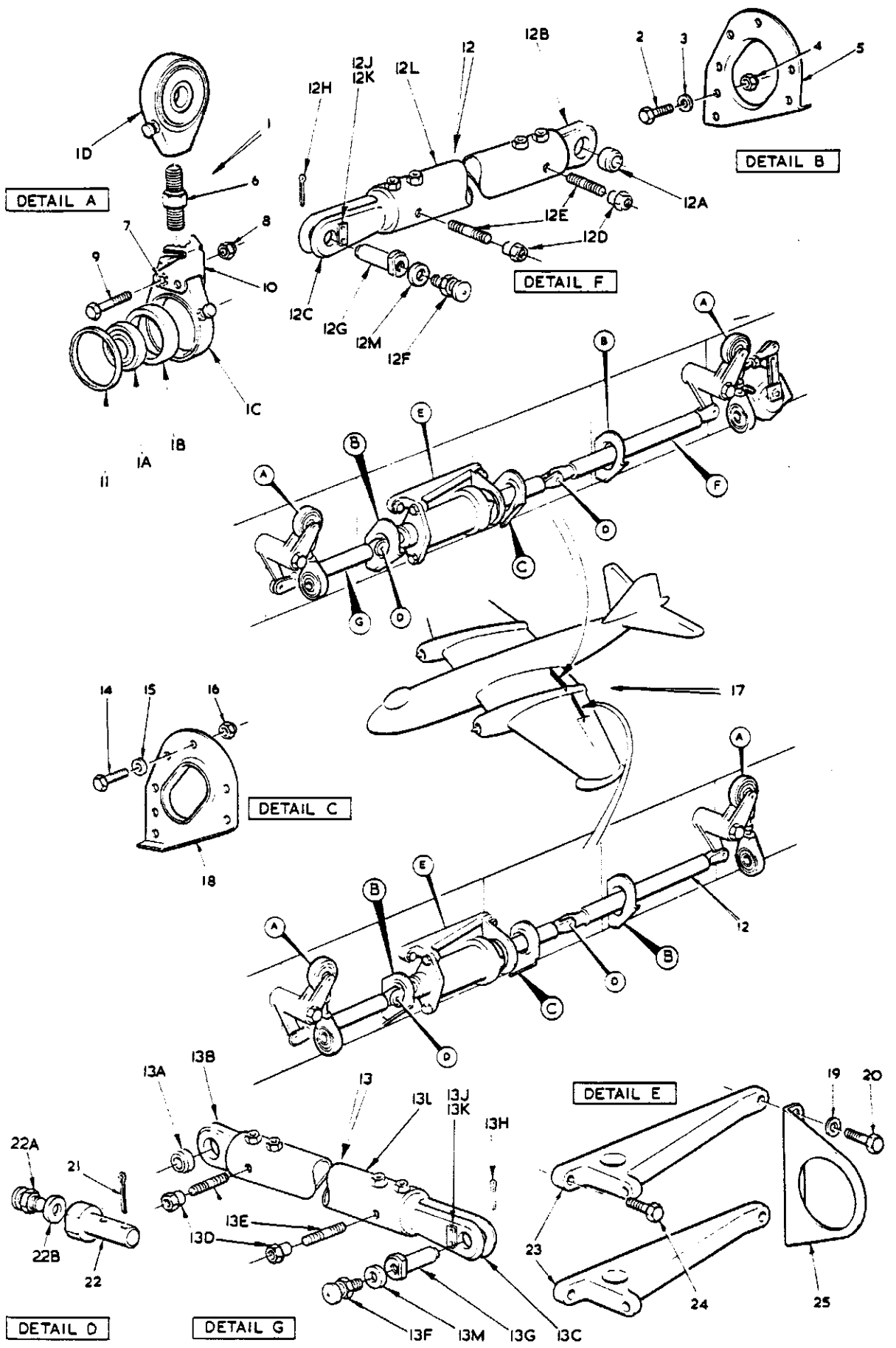


FIG.1 FLAP OPERATING MECHANISM, PORT

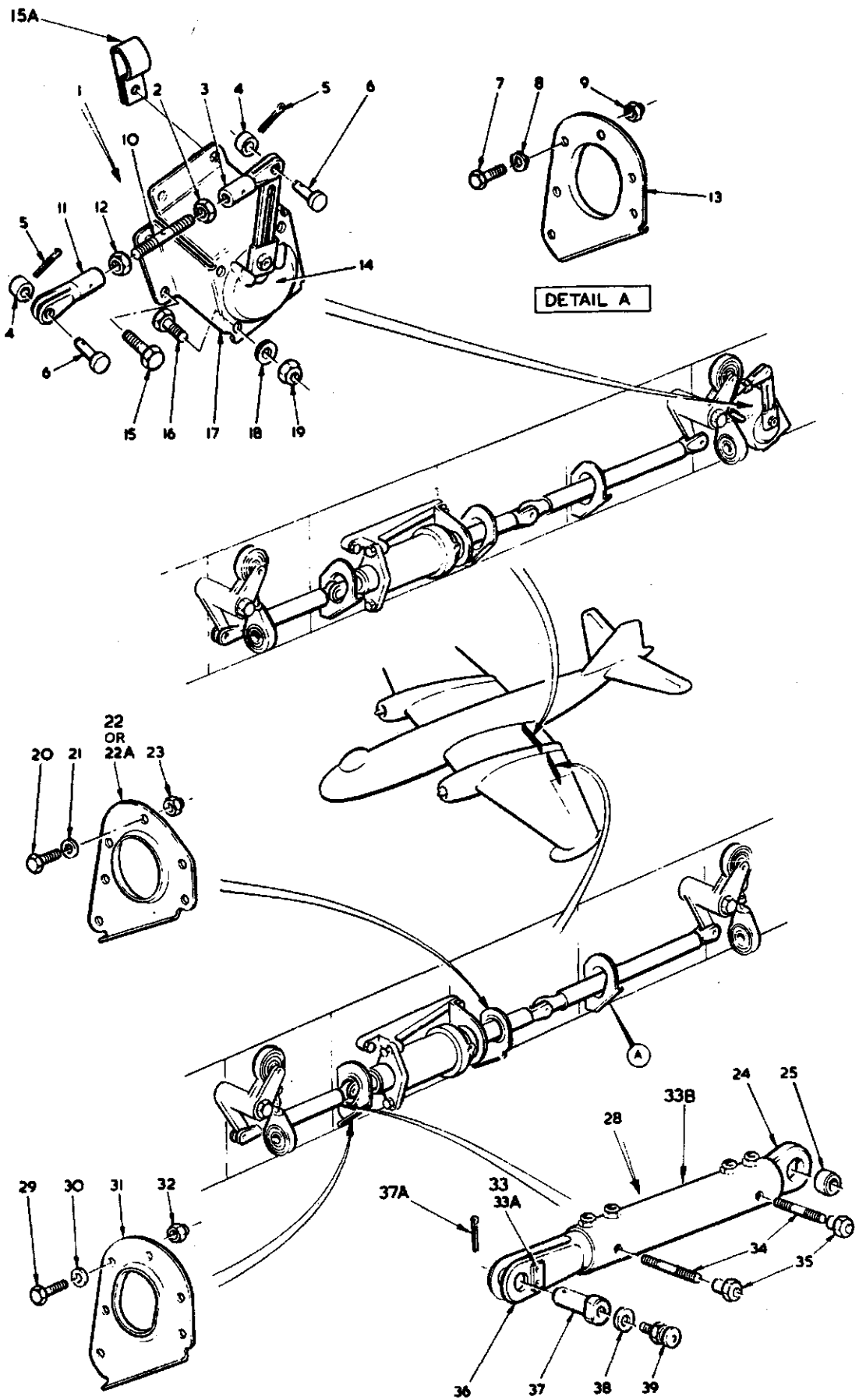


FIG.2 FLAP OPERATING MECHANISM PORT

This file was downloaded
from the RTFM Library.

Link: www.scottbouch.com/rtfm

Please see site for usage terms,
and more aircraft documents.

