

FLAP OPERATING MECHANISM, STARBOARD

Ref. No.	Part No.	Description 1 2 3 4 5 6	No. off	Matt. Spec.	Cl. of Equip M.R. L.M.	Plate No.
	EA1.20.700	FLAP OPERATING MECHANISM, STARBOARD ASSEMBLY	—	—	—	DG1/18
495	EA1.20.711	Spares for:— BRACKET, flap operating jack unit support	2	L65	C	DG1/20
28D/1011259	A25/10G	Attaching parts for EA1.20.711:—	2	—	C	DG1/22
28W/9419476	SP15G	Bolt, 5/16" BSF	2	—	C	DG1/21
496	EA1.20.885	BRACKET, mounting, flap operating jack unit (Pre—Mod 4781)	2	DTD683	C	DG1/25
1439325	EA3.20.3991	BRACKET, mounting, flap operating jack unit (Mod 4781)	2	S97	C	
28D/1011258	A25/8G	Attaching parts for EA1.20.885 and EA3.20.3991:— Bolt, 5/16" BSF	1	—	C	DG1/26
511	EA1.20.887	BRACKET, mounting, flap operating jack unit centre wing (Pre—Mod 4781)	2	DTD683	C	DG1/23
1439326	EA3.20.4009	BRACKET, mounting, flap operating jack unit centre wing (Mod 4781)	2	S97	C	
28D/1011258	A25/8G	Attaching parts for EA1.20.887 and EA3.20.4009:— Bolt, 5/16" BSF	1	—	C	DG1/24
2036	EA3.20.1011	LINK, CONNECTING, FLAP TO OPERATING MECHANISM, ASSEMBLY	4	—	B	DG1/1
2054	EA3.20.1009	Spares for:— BEARING	2	—	B	DG1/1A
2055	EA3.20.1007	BUSH	2	—	C	DG1/1B
2053	EA3.20.1013	HOUSING, bearing	1	—	C	DG1/1C
2052	EA3.20.1015	HOUSING, bearing	1	—	C	DG1/1D
500	EA1.20.797	PLATE, locking	1	L72	C	DG1/7
28D/1010142	A25/9B	Attaching parts for EA1.20.797:— Bolt, 4BA	2	—	C	DG1/9
28M/1278189	AGS2001B1	Nut, stiff, 4BA	2	—	C	DG1/10
28W/9419474	SP15B	Washer	2	—	C	DG1/6
501	EA1.20.795	SCREW, adjusting	1	S11	C	DG1/3
502	EA1.20.791	WASHER, special	2	L65 or L72	C	DG1/11
28N/9156370	SP21	NIPPLE, lubricating	4	—	C	DG1/13B
504	EA1.20.683	PLATE, cover at rib 3A, for assembly of flap jack unit (Pre—Mod 738)	1	L72	C	DG2/25A
5849	EA3.20.2289	PLATE, cover at rib 3A, for assembly of flap jack unit (Mod 738)	1	L72	C	DG2/25
28D/121239	A61/1C	Attaching parts for EA1.20.683 or EA3.20.2289:— Bolt, 2BA	6	—	C	DG2/23
28M/4095802	AGS2001C3	Nut, stiff, 2BA	6	—	C	DG2/26
28W/9419475	AP15C	Washer	6	—	C	DG2/24
3499	EA1.20.10777	PLATE, cover at rib 3A, for assembly of flap jack unit Attaching parts for EA1.20.10777:—	1	L72	C	DG2/28
28D/1212939	A61/1C	Bolt, 2BA	6	—	C	DG2/20
28M/4095802	AGS2001C3	Nut, stiff, 2BA	6	—	C	DG2/22
28W/9419475	SP15C	Washer	6	—	C	DG2/21
3500	EA1.20.10778	PLATE, cover at rib 3A, for assembly of flap jack unit Attaching parts for EA1.20.10778:—	1	L72	C	DG2/18
28D/1212939	A61/1C	Bolt, 2BA	6	—	C	DG2/16
28M/4095802	AGS2001C3	Nut, stiff, 2BA	6	—	C	DG2/19
28W/9419475	SP15C	Washer	6	—	C	DG2/17

CONTROLS

FLAP OPERATING MECHANISM, STARBOARD

Ref. No.	Part No.	Description	No. off	Matl. Spec.	Cl. of Equip M.R. L.M.	Plate No.
3497	EA1.20.10779	PLATE, cover at ribs 3, 4 and 5, for assembly of flap jack unit	2	L72	C	DG1/2
28D/1212939	A61/1C	Attaching parts for EA1.20.10779:—				
28M/4095802	AGS2001C3	. Bolt, 2BA	7	—	C	DG1/4
28M/9419475	SP15C	. Nut, stiff, 2BA	7	—	C	DG1/8
		. Washer	7	—	C	DG1/5
3498	EA1.20.10780	PLATE, cover at ribs 3, 4 and 5, for assembly of flap jack unit	1	L72	C	DG1/19
28D/1212939	A61/1C	Attaching parts for EA1.20.10780:—				
28M/4095802	AGS2001C3	. Bolt, 2BA	7	—	C	DG1/14
28W/9419475	SP15C	. Nut, stiff, 2BA	7	—	C	DG1/16
		. Washer	7	—	C	DG1/15
9890	EA1.20.817	ROD, PUSH, OUTBOARD FLAP CONTROL BETWEEN FLAP HINGE AND OPERATING JACK, ASSEMBLY	1	—	B	DG2/1
		Spares for:—				
507	EA1.20.839	. BUSH	1	DTD197	C	DG2/4
6920	EA1.20.827	. EYE-END	1	L65	C	DG2/2
508	EA1.20.825	. FORK-END	1	L65	C	DG2/10
1096	EEAS37/15A	Attaching parts for EA1.20.827 and EA1.20.825:—				
1571	EEAS38/2A	. Nipple	6	S96	C	DG2/8
		. Spoke	3	S96	C	DG2/7
28N/9156370	SP21	. NIPPLE, lubricating	1	—	C	DG2/13
509	EA1.20.805	. PIN, special	1	S11	C	DG2/11
28P/19176	SP90G6	. PIN, split, 1/8" dia	1	—	C	DG2/11A
510	EA1.20.807	. PLATE, locking	1	L72	C	DG2/3
28S/9995325	A33B8	Attaching parts for EA1.20.807:—				
		. Screw, 4BA	2	—	C	DG2/3A
549	EA1.20.837	. TUBE	1	—	C	DG2/3B
	EEAS5	. WASHER, red fibre, for lubricating nipple	1	BSS216	C	DG2/12
503	EA1.20.803	Attaching parts for EA1.20.817:—				
28P/19176	SP90G6	. Pin, special	1	S11	C	DG1/13
		. Pin, split, 1/8" dia	1	—	C	DG1/12
9892	EA1.20.869	ROD, PUSH, INBOARD, FLAP CONTROL BETWEEN HINGE AND OPERATING JACK CONNECTING ARM, ASSEMBLY	1	—	B	DG1/17
		Spares for:—				
507	EA1.20.839	. BUSH	1	DTD197	C	DG1/17A
6920	EA1.20.827	. EYE-END	1	L65	C	DG1/17B
508	EA1.20.825	. FORK-END	1	L65	C	DG1/17C
1096	EEAS37/15A	Attaching parts for EA1.20.827 and EA1.20.825:—				
1571	EEAS38/2A	. Nipple	6	S96	C	DG1/17D
		. Spoke	3	S96	C	DG1/17E
28N/9156370	SP21	. NIPPLE, lubricating	1	—	C	DG1/17F
509	EA1.20.805	. PIN, special	1	S11	C	DG1/17G
28P/19176	SP90G6	. PIN, split, 1/8" dia	1	—	C	DG1/17H
510	EA1.20.807	. PLATE, locking	1	L72	C	DG1/17J
28S/9995325	A33B8	Attaching parts for EA1.20.807:—				
		. Screw, 4BA	2	—	C	DG1/17K
549	EA1.20.895	. TUBE	1	—	C	DG1/17L
	EEAS5	. WASHER, red fibre, for lubricating nipple	1	BSS216	C	DG1/17M
503	EA1.20.803	Attaching parts for EA1.20.869:—				
28P/19176	SP90G6	. Pin, special	1	S11	C	DG1/13
		. Pin, split, 1/8" dia	1	—	C	DG1/12

CONTROLS

FLAP OPERATING MECHANISM, STARBOARD

Ref. No.	Part No.	Description	No. off	Matl. Spec.	Cl. of Equip M.R. L.M.	Plate No.
9893	EA1.20.889	. ROD, PUSH, INBOARD FLAP, CENTRE WING ASSEMBLY Spares for:—	1	—	B	DG2/9
507	EA1.20.839	. . . BUSH	1	DTD197	C	DG2/9A
6920	EA1.20.827	. . . EYE-END	1	L65	C	DG2/9B
508	EA1.20.825	. . . FORK-END Attaching parts for EA1.20.827 and EA1.20.825:—	1	L65	C	DG2/9C
1096	EEAS37/15A	. . . Nipple	6	S96	C	DG2/9D
1571	EEAS38/2A	. . . Spoke	3	S96	C	DG2/9F
28N/9156370	SP21	. . . NIPPLE, lubricating	1	—	C	DG2/9F
509	EA1.20.805	. . . PIN, special	1	S11	C	DG2/9G
28P/19176	SP90G6	. . . PIN, split, 1/8" dia	1	—	C	DG2/9H
510	EA1.20.807	. . . PLATE, locking Attaching parts for EA1.20.807:—	1	L72	C	DG2/9J
28S/9995325	A33B8	. . . Screw, 4BA	2	—	C	DG2/9K
	EA1.20.897	. . . TUBE	1	—	C	DG2/9L
549	EEAS5	. . . WASHER, red fibre, for lubricating nipple Attaching parts for EA1.20.889:—	1	BSS216	C	DG2/9M
503	EA1.20.803	. Pin, special	1	S11	C	DG1/13
28P/19176	SP90G6	. Pin, split, 1/8" dia	1	—	C	DG1/12
9894	EA1.20.891	. ROD, PUSH, FLAP, OUTER WING, ASSEMBLY Spares for:—	1	—	B	DG2/27
507	EA1.20.839	. . . BUSH	1	DTD197	C	DG2/27A
6290	EA1.20.827	. . . EYE-END	1	L65	C	DG2/27B
508	EA1.20.825	. . . FORK-END Attaching parts for EA1.20.827 and EA1.20.825:—	1	L65	C	DG2/27C
1096	EEAS37/15A	. . . Nipple	6	S96	C	DG2/27D
1571	EEAS38/2A	. . . Spoke	3	S96	C	DG2/27E
28N/9156370	SP21	. . . NIPPLE, lubricating	1	—	C	DG2/27F
509	EA1.20.805	. . . PIN, special	1	S11	C	DG2/27G
28P/19176	SP90/G6	. . . PIN, split, 1/8" dia	1	—	C	DG2/27H
510	EA1.20.807	. . . PLATE, locking Attaching parts for EA1.20.807:—	1	L72	C	DG2/27J
28S/9995325	A33B8	. . . Screw, 4BA	2	—	C	DG2/27K
	EA1.20.899	. . . TUBE	1	—	C	DG2/27L
549	EEAS5	. . . WASHER, red fibre, for lubricating nipple Attaching parts for EA1.20.891:—	1	BSS216	C	DG2/27M
503	EA1.20.803	. Pin, special	1	S11	C	DG1/13
28P/19176	SP90G6	. Pin, split, 1/8" dia	1	—	C	DG1/12
549	EEAS5	. WASHER, red fibre, for lubricating nipple	4	—	C	DG1/13A

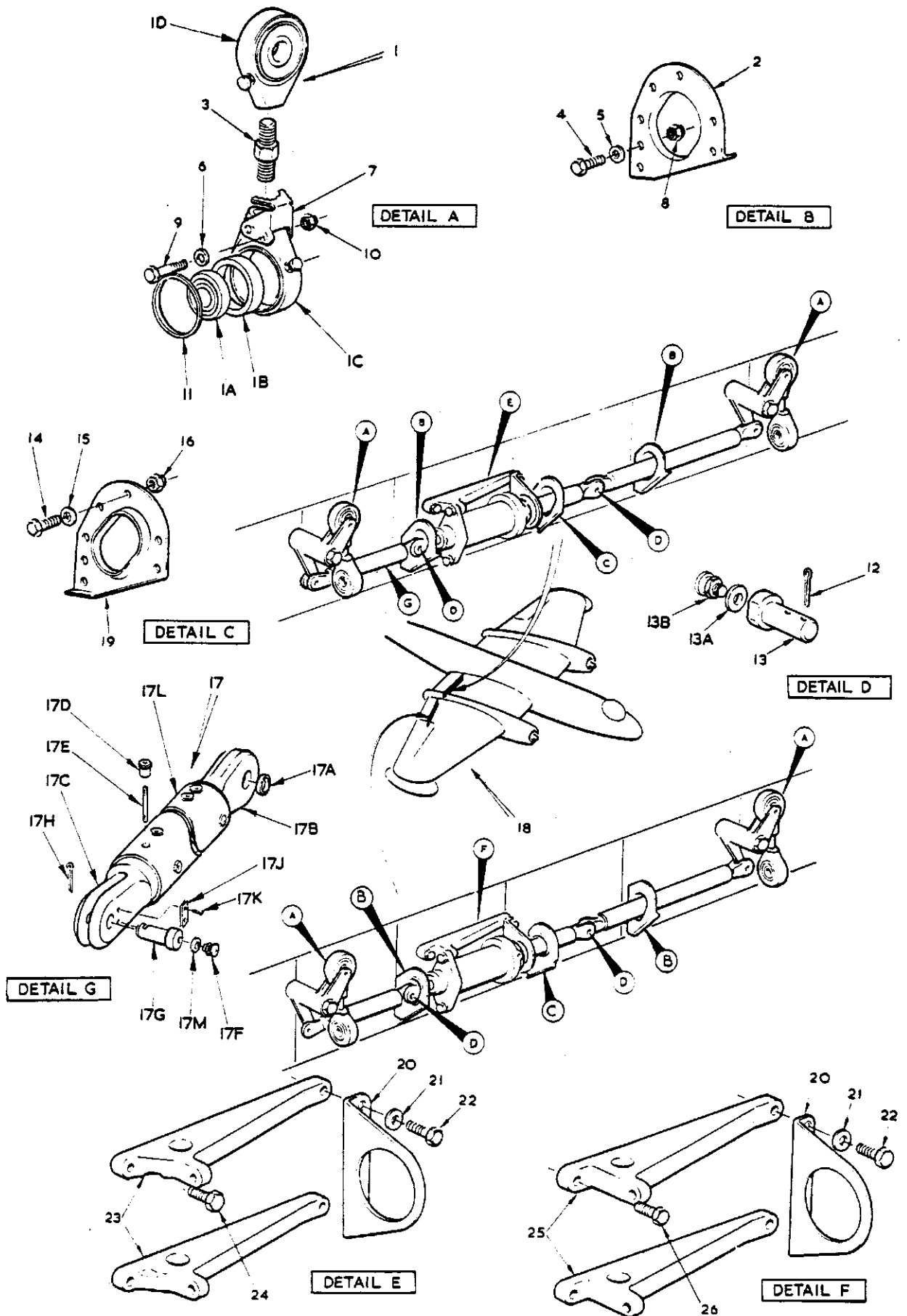


FIG.1 FLAP OPERATING MECHANISM, STBD

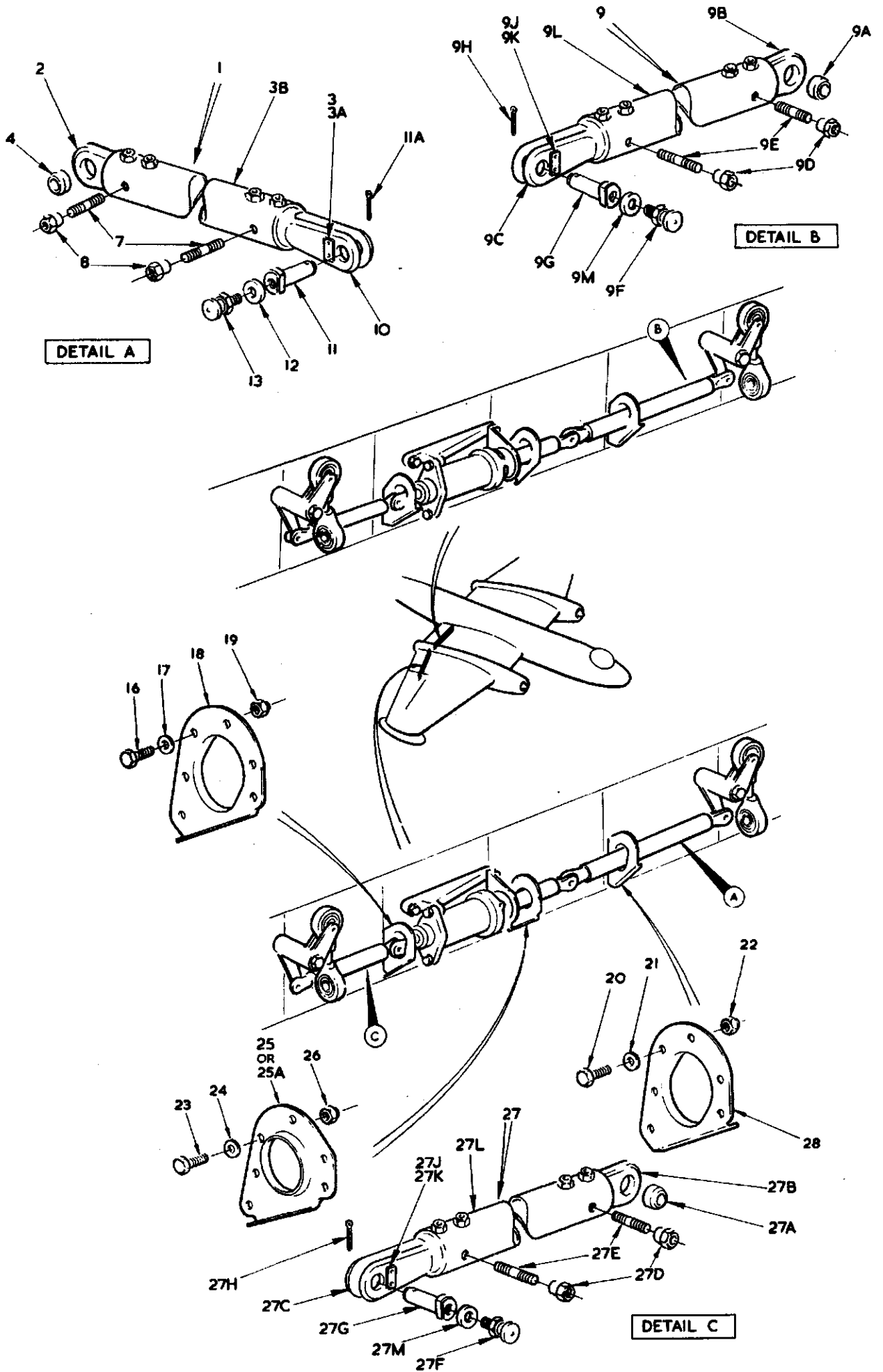


FIG. 2 FLAP OPERATING MECHANISM STBD

This file was downloaded from the RTFM Library.
Link: www.scottbouch.com/rtfm

Please see site for usage terms, and more aircraft documents.

