

ELECTRICAL

ELECTRICAL EQUIPMENT IN CENTRE FUSELAGE

Part Number	Description	No. Off	Matl. Spec.	Plate No.
EG4.81.2807	ELECTRICAL EQUIPMENT IN CENTRE FUSELAGE ASSEMBLY	-	-	
5J9101534	Spares for :- ACCUMULATOR, Type c	4	-	EA8/1
EB6.81.389	BOX JUNCTION No. 1 INSTALLATION	-	-	EA1/1
A25/1B	Spares for :- BOLT 4BA, earth (Pre-Mod 5100)	1	-	
EG4.81.893	BOX JUNCTION No.1 ASSEMBLY	1	-	EA1/2
703-1-00249	Spares for :- BLOCK, terminal 20 way	2	-	EA1/3
A31B24	Attaching parts for 703-1-00249 :- Screw, 4BA	2	-	EA1/4
EA1.81.583	BOX, junction, 40 way	1	-	EA1/5
EB6.81.387	COVER, ASSEMBLY	1	-	EA1/6
EA1.81.586A	Spares for :- RUBBER, synthetic, 0.14" dia	QR	-	
EEAS117/1	SCREW, cover	6	-	EA1/7
EEAS28/2CU	WASHER	12	DTD124	EA1/8
EEAS42	WASHER, leather	6	-	EA1/9
508-4-11290-004	GASKET, plug moulding	2	-	EA1/10
508-4-11290-005	GASKET, plug moulding	2	-	EA1/11
703-2-00251	LINK, connecting, 2 way	1	-	EA1/12
703-2-00257	LINK, commoning, 8 way	1	-	EA1/13
EA1.81.461	PLATE, blanking	1	-	EA1/14
EA1.81.463	PLATE, blanking	2	-	EA1/15
A27AP	Attaching parts for EA1.81.461 and EA1.81.463 :- Nut, 6BA	4	-	EA1/16
A32A12	Screw, round head 6BA	4	-	EA1/17
SP47A	Washer, spring 6BA	4	-	EA1/18
508-1-06413	PLUG, 26 way	1	-	EA1/19
EEAS146A1	SLEEVE	18	-	
EEAS146B	SLEEVE	28	-	
EEAS146C	SLEEVE	2	-	
EEAS146/6	SLEEVE	1	-	
508-2-11232-002	SLEEVE, adaptor	12	-	
703-2-00315-020	TAG, QR crimping, 4 amp	12	-	
703-2-00316-020	TAG, QR crimping 7 amp	6	-	
703-2-00317-020	TAG, QR crimping, 19 amp	2	-	
703-2-00339-020	THIMBLE, 4 amp	12	-	
703-2-00340-020	THIMBLE, 7 amp	6	-	
703-2-00341-020	THIMBLE, 19 amp	2	-	
A25/1C	Attaching parts for EG4.81.893 :- Bolt, 2BA	4	-	EA1/20
AGS2001C1/66	Nut, stiff 2BA	4	-	EA1/21
SP15C	Washer, 2BA	4	-	EA1/22
AGS2001B1	NUT, stiff 4BA, earth (Pre-Mod 5100)	1	-	
A54C	NUT, 2 BA (Alt. R60/68) (Mod 5100)	2	-	EA1/23
AGS2001C4	NUT, stiff, 2 BA (Alt. R60/68) (Mod 5100)	1	-	EA1/24
A43/C40	SCREW, 2BA (Alt. R60/68) (Mod 5100)	1	-	EA1/25
EEAS28/2EPH	WASHER, for earth bolt (Pre-Mod 5100)	2	-	
SP25C	WASHER (Alt. R60/68) (Mod 5100)	2	-	EA1/26
SP124D	WASHER (Alt. R60/68) (Mod 5100)	2	-	EA1/27

ELECTRICAL EQUIPMENT IN CENTRE FUSELAGE

Part Number	Description	No. Off	Mati. Spec.	Plate No.
				1 2 3 4 5 6
EG4.81.2995	BOX, JUNCTION No. 2 INSTALLATION Spares for :-	-	-	EA2/1
A25/1B	BOLT, 4BA earth (Pre-Mod 5100)	1	-	
EG4.81.2987	BOX, JUNCTION No. 2 ASSEMBLY Spares for :-	1	-	EA2/2
703-1-00249	BLOCK, terminal, 20 way Attaching parts for 703-1-00249 :-	1	-	EA2/3
A43B24	Screw, 4BA	2	-	EA2/4
EA1.81.589	BOX, Junction, 20 way	1	-	EA2/5
508-4-11290-004	GASKET, plug moulding	1	-	EA2/6
Z22834	GROMMET, dummy	4	-	EA2/7
EA1.81.598E	LID, ASSEMBLY	1	-	EA2/8
EA1.81.586A	RUBBER, synthetic	QR	DTD552	
EEAS117/1	SCREW, cover	4	-	EA2/9
EEAS28/2CU	WASHER	8	-	EA2/10
EEAS42	WASHER, leather	4	-	EA2/11
703-2-00251	LINK, 2 way	3	-	EA2/12
703-2-00253	LINK, 4 way	1	-	EA2/13
EA1.81.464	PLATE, adaptor Attaching parts for EA1.18.464 :-	1	-	EA2/14
A27AP	Nut, 6BA	4	-	EA2/15
A32A12	Screw, 6BA	4	-	EA2/16
SP47A	Washer, spring	4	-	EA2/17
EEAS146B	SLEEVE Attaching parts for EG4.81.2987 :-	15	-	
A25/1C	Bolt, 2BA	4	-	EA2/18
AGS2001C1/66	Nut, stiff 2BA	4	-	EA2/19
SP15C	Washer, 2BA	4	-	EA2/20
EA3.81.309	BRACKET	2	-	EA2/21
EA3.81.311	BRACKET	2	-	EA2/22
AGS2001B3	NUT, stiff 4BA (Pre-Mod 5100)	1	-	
A54C	NUT, 2BA (Alt. R60/68) (Mod 5100)	2	-	EA2/23
AGS2001C4	NUT, stiff 2BA (Alt. R60/68) (Mod 5100)	1	-	EA2/24
A43C40	SCREW, 2BA (Alt. R60/68) (Mod 5100)	1	-	EA2/25
EEAS28/2EPH	WASHER, for earth bolt, (Pre-Mod 5100)	2	-	
SP25C	WASHER (Alt. R60/68) (Mod 5100)	2	-	EA2/26
SP124D	WASHER (Alt. R60/68) (Mod 5100)	2	-	EA2/27
EB6.81.10063	BOX, JUNCTION No. 3 INSTALLATION Spares for :-	-	-	EA3/1
EA1.81.437	ANGLE, support	1	-	EA3/2
EA1.81.438	ANGLE, support	1	-	EA3/3
A25/1B	BOLT, 4BA, earth (Pre-Mod 5100)	1	-	
EB6.81.343	BOX, JUNCTION No. 3 ASSEMBLY Spares for :-	1	-	EA3/4
703-1-00249	BLOCK, terminal 20 way Attaching parts for 703-1-00249	2	-	EA3/5
A43B24	Screw	2	-	EA3/6
EA1.81.583	BOX, junction 40 way	1	-	EA3/7
EB6.81.341	COVER, ASSEMBLY Spares for :-	1	-	EA3/8
EA1.81.586A	RUBBER, synthetic	QR	-	
EEAS117/1	SCREW	6	S92	EA3/9

ELECTRICAL EQUIPMENT IN CENTRE FUSELAGE

Part Number	Description						No. Off	Mati. Spec.	Plate No.
	1	2	3	4	5	6			
EEAS28/2CU	12	DTD124	EA3/10
EEAS42	6	-	EA3/11
508-4-11290-004	2	-	EA3/12
508-4-11290-005	2	-	EA3/13
703-2-00257	1	-	EA3/14
703-2-00251	2	-	EA3/15
EA1.81.461	1	-	EA3/16
EA1.81.463	2	-	EA3/17
			
A27AP	4	-	EA3/18
A32A12	4	-	EA3/19
SP47A	4	-	EA3/20
			
508-1-06413	1	-	EA3/21
EEAS146A1	21	-	
EEAS146C	34	-	
508-2-11232-002	17	-	
703-2-00315-020	17	-	
703-2-00316-020	4	-	
703-2-00317-020	2	-	
703-2-00339-020	17	-	
703-2-00340-020	4	-	
703-2-00341-020	2	-	
			
			
A25/30C	2	-	EA3/22
A25/36C	2	-	EA3/23
AGS2001C1/66	4	-	EA3/24
AS2811/5/280	2	-	EA3/25
AS2811/5/340	2	-	EA3/26
SP15C	4	-	EA3/27
			
AGS2001B1	1	-	
A54C	2	-	EA3/28
AGS2001C4	1	-	EA3/29
A43C40	1	-	EA3/30
EEAS28/2EPH	2	-	
SP25C	2	-	EA3/31
SP124D	2	-	EA3/32

R

ELECTRICAL
ELECTRICAL EQUIPMENT IN CENTRE FUSELAGE

Part Number	Description	No. Off	Mati. Spec.	Plate No.
EA1.81.774/1 EG4.81.2887	. CABLE ASSEMBLY - battery link . ELECTRICAL EQUIPMENT, REAR BOMB BAY BULKHEAD, FRAME 29, ASSEMBLY Spares for :-	2 -	- -	EA5/1
AMPHENOL UG.30.U EA3.81.1829	. . ADAPTOR, bulkhead . . BAG, stowage . . Attaching parts for EA3.81.1829 :-	2 1	- -	EA5/2 EA5/3
AGS2001C1/66 A31C14 SP13C	. . Nut, stiff 2BA . . Screw, cheese head 2BA . . Washer, 2BA	3 3 3	- - -	EA5/4 EA5/5 EA5/6
EA1.81.252 EA9.81.4005	. . BRACKET . . FAIRLEAD, half . . Attaching parts for EA9.81.4005 :-	2 2	- -	EA5/7 EA5/8
A25/6B AGS2001B1 SP15B	. . Bolt, 4BA . . Nut, stiff 4BA . . Washer	3 3 3	- - -	EA5/9 EA5/10 EA5/11
AGS2001C1/66 A27CT EB6.81.433	. . NUT, stiff, 2BA, earth terminal . . NUT, thin, 2BA, earth terminal . . PLATE, blanking . . Attaching parts for EB6.81.433 :-	2 2 1	- - -	EA5/12 EA5/13 EA5/14
AGS2001A1 A31A10	. . Nut, stiff, 6BA . . Screw, 6BA	4 4	- -	EA5/15 EA5/16

ELECTRICAL

ELECTRICAL EQUIPMENT IN CENTRE FUSELAGE

Part Number	Description	No. Off	Matl. Spec.	Plate No.						
					1	2	3	4	5	6
508-1-06463	. . PLUG, bulkhead, size 'A'	1	-	EA5/17						
508-1-06452	. . PLUG, bulkhead, size 'C'	1	-	EA5/18						
508-1-06454	. . PLUG, bulkhead, size 'C'	1	-	EA5/19						
CZ50371	. . PLUG, bulkhead, size 'E'	1	-	EA5/20						
508-1-06465	. . PLUG, bulkhead, size 'Z'	1	-	EA5/21						
508-1-06443	. . PLUG, bulkhead, size 'Z'	1	-	EA5/22						
508-1-40181-320	. . PLUG/SOCKET, bulkhead 3 way	1	-	EA5/23						
CZ62276/5	. . PLUG/SOCKET, bulkhead 18 way	1	-	EA5/24						
508-1-40196-320	. . PLUG/SOCKET, bulkhead 25 way	3	-	EA5/25						
CZ62271	. . PLUG/SOCKET, bulkhead 25 way	1	-							
A31C28	. . SCREW, 2BA, earth terminal	2	-	EA5/26						
10H9560042	. . SOCKET, double ended	2	-	EA5/27						
508-1-40162-320	. . SOCKET/PLUG, bulkhead 4 way	1	-	EA5/28						
508-1-40166-320	. . SOCKET/PLUG, bulkhead 4 way	2	-	EA5/29						
EEAS132/7	. . STRAP, cable c/w buckle, 7" long Attaching parts for EEAS132/7:-	4	-	EA5/30						
AGS2001B1	. . Nut, stiff 4BA	QR	-	EA5/31						
A32B12	. . Screw, 4BA	QR	-	EA5/32						
EEAS28/18DR	. . Washer, 4BA	QR	-	EA5/33						
SP13C	. . WASHER, earth terminal	8	-	EA5/34						
EG4.81.1149	. FAIRLEAD, BOMB BAY, INSTALLATION Spares for:-	-	-	EA5/34						
EC3.11.207	. . FAIRLEAD, half Attaching parts for EC3.11.207:-	2	-	EA5/35						
A25/4C	. . Bolt, 4BA	3	-	EA5/36						
AGS2001C1/66	. . Nut, stiff, 4BA	3	-	EA5/37						
SP13C	. . Washer, 4BA	3	-	EA5/38						
EC3.11.209	. . PLATE, reinforcing	1	-	EA5/39						
R EG4.80.1003	. FATIGUE METER INSTALLATION Spares for:-	-	-	EA4/1						
R EA9.80.1383	. . BRACKET, fatigue meter mounting Attaching parts for EA9.81.1383:-	1	-	EA4/2						
R A25/3C	. . Bolt, 2BA	6	-	EA4/3						
R AGS2001C1/66	. . Nut, stiff, 2BA	6	-	EA4/4						
R SP13C	. . Washer	6	-	EA4/5						
R EA9.80.1387	. . CHANNEL, fatigue meter mounting Attaching parts for EA9.80.1387:-	1	-	EA4/6						
R A25/2C	. . Bolt, 2BA	4	-	EA4/7						
R SP13C	. . Washer	4	-	EA4/8						
R 6A4327991	. . METER, fatigue, Mk. 16 Attaching parts for Ref. 6A4327991:-	1	-	EA4/9						
R A25/1C	. . Bolt, 2BA	4	-	EA4/10						
R SP13C	. . Washer	4	-	EA4/11						
R EA9.80.1389	. . PACKING	2	-	EA4/12						

ELECTRICAL
ELECTRICAL EQUIPMENT IN CENTRE FUSELAGE

Part Number	Description	No. Off						Matl. Spec.	Plate No.
		1	2	3	4	5	6		
EG4.81.2835	. LOOMS, CABLE, ASSEMBLY - Spares for :-							-	-
EA3.81.2539/2	. . CABLE, ASSEMBLY, CS2, from pressure bulkhead connection to fuel cocks							1	-
EA3.81.2359/2	. . CABLE, ASSEMBLY, C1, from junction box 1 to pressure bulkhead connection							1	-
EA3.81.706/2	. . CABLE, ASSEMBLY, C2A, from junction box 2 to pressure bulkhead connection							1	-
EB6.81.291/2	. . CABLE, ASSEMBLY, C3, from junction box 3 to pressure bulkhead connection							1	-
EB6.81.3661	. . CABLE, ASSEMBLY, C6, from pressure bulkhead connection to bomb bay bulkhead connection							1	-
EA3.81.2553/2	. . CABLE, ASSEMBLY, C7, from junction box 7 to pressure bulkhead connection							1	-
EB6.81.567/2	. . CABLE, ASSEMBLY, C7X, from junction box 7 to pressure bulkhead connection							1	-
EB6.81.715/2	. . CABLE, ASSEMBLY, C8, from junction box 8 to pressure bulkhead connection							1	-
EB6.81.713/2	. . CABLE, ASSEMBLY, C8X, from junction box 8 to pressure bulkhead connection							1	-
EB6.81.541/2	. . CABLE, ASSEMBLY, C9, from pressure bulkhead connection to wing connection, port							1	-
EB6.81.543/2	. . CABLE, ASSEMBLY, C10, from pressure bulkhead connection to wing connection, starboard							1	-
EB6.81.4059	. . CABLE, ASSEMBLY, C31, from No. 1 generator connection to main electrical panel							1	-
EB6.81.4061	. . CABLE, ASSEMBLY, C32, from No. 2 generator connection to main electrical panel							1	-
EA1.81.738/2	. . CABLE, ASSEMBLY, C33, from pressure bulkhead connection to bomb bay connection							1	-
EB6.81.4103	. . CABLE, ASSEMBLY, C35, from voltage regulator panel in port wing to main electrical panel							1	-
EB6.81.4105	. . CABLE, ASSEMBLY, C36, from voltage regulator panel and No. 2 generator in starboard wing to main electrical panel							1	-
EB6.81.4055	. . CABLE, ASSEMBLY, C37, from voltage regulator panel in port wing to main electrical panel							1	-
EB6.81.4057	. . CABLE, ASSEMBLY, C38, from voltage regulator panel in starboard wing to main electrical panel							1	-
EB6.81.4927	. . CABLE, ASSEMBLY, C71, from pressure bulkhead connection to connection in rear fuselage							1	-
EG4.81.2647	. . CABLE, ASSEMBLY, C567, from pressure bulkhead connection to test supply sockets and SSR 1520 transponder connection							1	-

ELECTRICAL EQUIPMENT IN CENTRE FUSELAGE

Ref. No.	Part No.	Description	No. off	Matl. Spec.	Cl. of Equip M.R. L.M.	Plate No.
15366	EB6.81.783	CABLE, ASSEMBLY, EB, from batteries to earth	1	—	—	
7714	EB7.81.1119	CABLE, ASSEMBLY, E1, from junction box 1 to earth (Pre—Mod 5100)	1	—	—	
	EA3.81.8189	CABLE, ASSEMBLY, E1 (Alt. R60/68) (Mod 5100)	1	—	—	
	EB6.81.1483	CABLE, ASSEMBLY, E2, from junction box 2 to earth (Pre—Mod 5100)	1	—	—	
	EG4.81.3199	CABLE, ASSEMBLY, E2 (Alt. R60/68) (Mod 5100)	1	—	—	
7715	EB7.81.1121	CABLE, ASSEMBLY, E3, from junction box 3 to earth (Pre—Mod 5100)	1	—	—	
	EA3.81.8193	CABLE, ASSEMBLY, E3 (Alt. R60/68) (Pre—Mod 5100)	1	—	—	
15357	EB6.81.545	CABLE, ASSEMBLY, 1B, from junction box 1 to amber identification light	1	—	—	
41491	EA3.81.710/2	CABLE, ASSEMBLY, 1D, from junction box 1 to undercarriage actuator valve	1	—	—	
41582	EA3.81.2427/2	CABLE, ASSEMBLY, 1F, from junction box 1 to dive brake actuator valve	1	—	—	
5427	EA3.81.714/1	CABLE, ASSEMBLY, 1G, from junction box 1 to flap position transmitter	1	—	—	
7691	EA3.81.2363	CABLE, ASSEMBLY, 1H, from junction box 1 to No. 1 fuel tank terminal block, port	1	—	—	
7692	EA3.81.2365	CABLE, ASSEMBLY, 1H1, from No. 1 fuel tank terminal block to suppressor, port	1	—	—	
41575	EA3.81.2367/2	CABLE, ASSEMBLY, 1H2, from suppressor to No. 1 tank fuel pump, port	1	—	—	
41555	EA3.81.718/2	CABLE, ASSEMBLY, 1H3, from terminal block to No. 1 tank fuel cock, port	1	—	—	
15362	EB6.81.731	CABLE, ASSEMBLY, 1J, from junction box 1 to No. 2 fuel tank terminal block, port	1	—	—	
7695	EA3.81.2371	CABLE, ASSEMBLY, 1J1, from No. 2 fuel tank terminal block to suppressor, port	1	—	—	
41576	EA3.81.2373/2	CABLE, ASSEMBLY, 1J2, from suppressor to No. 2 fuel tank pump, port	1	—	—	
41492	EA3.81.722/2	CABLE, ASSEMBLY, 1J3, from terminal block to No. 2 tank fuel cock, port	1	—	—	
15363	EB6.81.733	CABLE, ASSEMBLY, 1K, from junction box 1 to No. 3 fuel tank terminal block, port	1	—	—	
7698	EA3.81.2377	CABLE, ASSEMBLY, 1K1, from No. 3 fuel tank terminal block to suppressor, port	1	—	—	
41577	EA3.81.2379/2	CABLE, ASSEMBLY, 1K2, from suppressor to No. 3 fuel tank pump, port	1	—	—	
41521	EA3.81.726/2	CABLE, ASSEMBLY, 1K3, from terminal block, to No. 3 tank fuel cock, port	1	—	—	
41581	EA3.81.2429/2	CABLE, ASSEMBLY, 1L, from junction box 1 to solenoid valve	1	—	—	
7667	EA3.81.727/1	CABLE, ASSEMBLY, 2C and 2D, from junction box 2 to bomb door micro switches	1	—	—	
	EA6.81.4077/2	CABLE, ASSEMBLY, 3A and 3B, both from junction box 3, 3A to vent valve heater terminal block, 3B to fire extinguisher bottle	1	—	—	

ELECTRICAL
ELECTRICAL EQUIPMENT IN CENTRE FUSELAGE

Ref. No.	Part No.	Description	No. off	Matl. Spec.	Cl. of Equip M.R. L.M.	Plate No.
41609	EB7.81.553/2	CABLE, ASSEMBLY, 3A1, from terminal block to vent valve heater	1	—	—	
41495	EB7.81.555/2	CABLE, ASSEMBLY, 3A2, from terminal block to vent valve heater	1	—	—	
7670	EA3.81.734/1	CABLE, ASSEMBLY, 3D, from junction box 3 to bomb door actuator valve terminal block	1	—	—	
41565	EA3.81.739/2	CABLE, ASSEMBLY, 3D1, from terminal block to bomb door actuator valve	1	—	—	
41566	EA3.81.740/2	CABLE, ASSEMBLY, 3F, from junction box 3 to flap actuator valve	1	—	—	
7700	EA3.81.2381	CABLE, ASSEMBLY, 3H, from junction box 3 to No. 1 fuel tank terminal block, starboard	1	—	—	
7701	EA3.81.2383	CABLE, ASSEMBLY, 3H1, from No. 1 tank terminal block to suppressor, starboard	1	—	—	
41578	EA3.81.2385/2	CABLE, ASSEMBLY, 3H2, from suppressor to No. 1 fuel tank pump, starboard	1	—	—	
41494	EA3.81.2541/2	CABLE, ASSEMBLY, 3H3, from terminal block to No. 1 tank fuel cock, starboard	1	—	—	
7703	EA3.81.2387	CABLE, ASSEMBLY, 3J, from junction box 3 to No. 2 fuel tank terminal block, starboard	1	—	—	
7704	EA3.81.2389	CABLE, ASSEMBLY, 3J1, from No. 2 tank terminal block to suppressor, starboard	1	—	—	
41579	EA3.81.2391/2	CABLE, ASSEMBLY, 3J2, from suppressor to No. 2 fuel tank pump, starboard	1	—	—	
41493	EA3.81.748/2	CABLE, ASSEMBLY, 3J3, from terminal block to No. 2 tank fuel cock, starboard	1	—	—	
7706	EA3.81.2393	CABLE, ASSEMBLY, 3K, from junction box 3 to No. 3 fuel tank terminal block, starboard	1	—	—	
7707	EA3.81.2395	CABLE, ASSEMBLY, 3K1, from No. 3 tank terminal block to suppressor, starboard	1	—	—	
41580	EA3.81.2397/2	CABLE, ASSEMBLY, 3K2, from suppressor to No. 3 fuel tank pump, starboard	1	—	—	
41490	EA3.81.752/2	CABLE, ASSEMBLY, 3K3, from terminal block to No. 3 tank fuel cock, starboard	1	—	—	
7674	EA3.81.753/1	CABLE, ASSEMBLY, 3L, from junction box 3 to No. 3 fuel tank transformer	1	—	—	
7675	EA3.81.754/1	CABLE, ASSEMBLY, 3M, from junction box 3 to No. 2 fuel tank transformer	1	—	—	
7676	EA3.81.755/1	CABLE, ASSEMBLY, 3N, from junction box 3 to No. 3 fuel tank transformer	1	—	—	
6A/4333101	SMITH WAYMOUTH CA14	CONNECTOR	3	—	C	
6A/4333102	SMITH WAYMOUTH CA26	CONNECTOR	3	—	C	
5X/2790	Z22634	GROMMET, dummy	4	—	C	

ELECTRICAL

ELECTRICAL EQUIPMENT IN CENTRE FUSELAGE

Part Number	Description	No. Off	Matl. Spec.	Plate No.
EG4.81.2847	. LOOMS, CABLE, INSTRUMENT, ASSEMBLY Spares for:—	—	—	
EA3.81.936	. . . CABLE, ASSEMBLY, D1C-D1B, from pressure bulkhead to starboard wing root connection	1	—	
EB6.81.10613	. . . CABLE, ASSEMBLY, 1M, from main electrical panel to fatigue meter and junction box 1	1	—	
EG4.81.271	. PANEL, CONTROL, TYPE 15, INSTALLATION Spares for:—	1	—	EA6/1
EA9.81.2527	. . . BRACKET, angle	1	—	EA6/2
EB6.81.4085	. . . BRACKET, MOUNTING, SUB-ASSEMBLY Spares for:—	1	—	EA6/5
EB6.81.4087 BRACKET, mounting	1	—	EA6/6
EB6.81.4089 BRACKET, mounting, assembly	1	—	EA6/7
EB6.81.4090 BRACKET, mounting, assembly	1	—	EA6/8
AS3181/7B	. . . CLIP, 'P' Attaching parts for AS3181/7B:—	1	—	EA6/9
A25/1B	. . . Bolt, 4BA	1	—	EA6/10
AGS2001B1	. . . Nut, stiff, 4BA	1	—	EA6/11
EB6.81.5253	. . . DOUBLER	1	—	EA6/12
EB6.81.10161	. . . PANEL, ACCESS, ASSEMBLY Spares for:—	1	—	EA6/13
EB6.81.5259 LANYARD, assembly	1	—	EA6/14
EB6.81.5257 PAD, rubber	1	—	EA6/15
EB6.81.10163 PANEL, access Attaching parts for EB6.81.10161:—	1	—	EA6/16
A4/30 Fastener, dzus	8	—	EA6/17
GA4/250 Grommet, dzus	8	—	EA6/18
R 5UC/5759	. . . PANEL, control, type 15 Attaching parts for Ref. 5UC/5759:—	1	—	EA6/19
A25/4E	. . . Bolt, 1/4" BSF	4	—	EA6/20
EA9.81.2525	. . . PLATE, stabilising	1	—	EA6/21
EB6.81.4013	. . . PLUG, ASSEMBLY SHORTING Spares for:—	1	—	EA6/22
EB6.81.4019 CAP, domed	1	—	EA6/23
2Z84914C FERRULE, gasket	1	—	EA6/24
2Z84912C GASKET, plug moulding	1	—	EA6/25
EB6.81.4021 LANYARD, assembly	1	—	EA6/26
Z61538 NUT, coupling	1	—	EA6/27
EB6.81.4015 PLUG, single, assembly	1	—	EA6/28
Z1688 SHROUD, plug Attaching parts for EB6.81.4013:—	1	—	EA6/29
A25/1A	. . . Bolt, 6BA	4	—	EA6/30
AGS2001A1	. . . Nut, stiff, 6BA	4	—	EA6/31
SP13A	. . . Washer	4	—	EA6/32
DZUS S4/200	. . . SPRING	8	—	EA6/33

ELECTRICAL

ELECTRICAL EQUIPMENT IN CENTRE FUSELAGE

Part Number	Description	No. Off	Mati. Spec.	Plate No.
EB6.81.4031	. . SWITCH, ISOLATING, AND HOUSING, ASSEMBLY Spares for:—	1	—	EA6/34
EB6.81.4033	. . . HOUSING, switch isolating	1	—	EA6/35
C1831Y	. . . SWITCH, limit type C MK.1 Attaching parts for C1831Y:—	1	—	EA6/36
A25/11C	. . . Bolt, 2BA	3	—	EA6/37
AGS2002C1	. . . Nut, stiff, 2BA	3	—	EA6/38
SP13C	. . . Washer	3	—	EA6/39
	Attaching parts for EB6.81.4031:—			
A25/1B	. . Bolt, 4BA	2	—	EA6/40
AGS2001B1	. . Nut, stiff 4BA	2	—	EA6/41
SP13B	. . Washer, 4BA	2	—	EA6/42
EB6.81.1767	. PLUG STOWAGE ASSEMBLY Spares for:—	2	—	EA8/1
508-1-03442-003	. . CAP, protective	6	—	EA8/2
Z62225	. . GASKET	6	—	EA8/3
EB6.81.1769	. . PLATE	1	—	EA8/4
Z67012	. . PANEL, mounting	6	—	EA8/5
Z49011	. . RING, locking	6	—	EA8/6
Z49013	. . RING, mounting	6	—	EA8/7
	Attaching parts for EB6.81.1769:—			
A25/10B	. Bolt, 4BA	4	—	EA8/8
A27BP	. Nut, 4BA	4	—	EA8/9
AS2810/4/090	. Tube, distance	4	—	EA8/10
SP15B	. Washer	8	—	EA8/11
EA1.81.222	. SUPPORT, AND ROLLERS ACCUMULATOR TRAY ASSEMBLY Spares for:—	1	—	EA7/2
EA1.81.223	. . BEAM, support, outer L.H.	1	—	EA7/3
EA1.81.224	. . BEAM, support, outer R.H. Attaching parts for EA1.81.223 and EA1.81.224:—	1	—	EA7/4
A25/5C	. . Bolt, 2BA	3	—	EA7/5
AGS2001C1/66	. . Nut, stiff 2BA	3	—	EA7/6
EA1.81.222A	. . Tube, distance	3	T4	EA7/7
EA1.81.225	. . BEAM, support inner Attaching parts for EA1.81.225:—	1	—	EA7/8
A25/5C	. . Bolt, 2BA	2	—	EA7/9
A27CP	. . Nut, plain 2BA	2	—	EA7/10
EA1.81.222B	. . Packing	1	L72	EA7/11
SP47C	. . Washer, spring	2	—	EA7/12
EA1.81.226	. . PLATE, attachment	1	—	EA7/13
EA1.81.228	. . ROLLER, assembly Attaching parts for EA1.81.228:—	6	—	EA7/14
A25/2C	. . Bolt, 2BA	4	—	EA7/15
A27CP	. . Nut, stiff 2BA	4	—	EA7/16
SP47C	. . Washer, 2BA	4	—	EA7/17

AP101B-0415-3A

Page EA.11

ELECTRICAL
ELECTRICAL EQUIPMENT IN CENTRE FUSELAGE

Part Number	Description	No. Off	Matl. Spec.	Plate No.
EA1.81.227	. . . STOP, CHANNEL MOUNTING ASSEMBLY Spares for :-	1	-	EA7/18
EA3.81.2183	. . . PIN, locking	2	-	EA7/19
EA1.81.232	. . . TRAY, ACCUMULATOR, ASSEMBLY Spares for :-	1	-	EA7/20
EA3.81.2177	. . . ANGLE, assembly L.H.	1	-	EA7/21
EA3.81.2178	. . . ANGLE, assembly R.H.	1	-	EA7/22
AS1242/10C	. . . Attaching parts for EA3.81.2177 and EA3.81.2178 :-			
A27CP	. . . Bolt, 2BA	2	-	EA7/23
SP47C	. . . Nut, plain 2BA	2	-	EA7/24
	. . . Washer, 2BA	2	-	EA7/25
EA1.81.232E	. . . BUFFER, rubber 1/2" o/d x 0".85 long	2	Shore	EA7/26
EA1.81.236	. . . FERRULE Attaching parts for EA1.81.236 :-	8	-	EA7/27
AS1242/3C	. . . Bolt, 2BA	2	-	EA7/28
A27CP	. . . Nut, plain	2	-	EA7/29
SP47C	. . . Washer	2	-	EA7/30
EA1.81.273	. . . Washer, packing	2	L72	EA7/31
EA1.81.274	. . . Washer, packing	2	L72	EA7/32
EA1.81.235	. . . NUT, wing accumulator securing	8	-	EA7/33
EG4.81.119	. . . WIRING, IDENT LIGHT AND FLAME SWITCH FRAMES 12 - 13, ASSEMBLY Spares for :-	-	-	
R 5CZ4350495	. . . BLOCK, terminal dummy type J Attaching parts for 5CZ/4350495 :-	1	-	EA9/1
A25/4C	. . . Bolt, 2BA	2	-	EA9/2
AGS2002C1	. . . Nut, stiff 2BA	2	-	EA9/3
SP13C	. . . Washer, 2BA	2	-	EA9/4
R 5L9952604	. . . FILAMENT, 24v, 80 watts	1	-	EA9/5
R 5CX557	. . . LAMP, downward ident type C	1	-	EA9/6
R 5CX4521	. . . LAMP, front, white	1	-	EA9/7
EEAS132/7	. . . STRAP, cable c/w buckle 7" long Attaching parts for EEAS132/7 :-	2	-	EA9/8
AS1248/1B	. . . Bolt, 4BA	1	-	EA9/9
AGS2001B1	. . . Nut, stiff, 4BA	1	-	EA9/10
EEAS73	. . . Plate, clamp	1	-	EA9/11
EEAS132/15	. . . STRAP, cable c/w buckle 15" long	1	-	EA9/12
EEAS132/18	. . . STRAP, cable c/w buckle Attaching parts for EEAS132/18 :-	2	-	EA9/13
AS1248/1B	. . . Bolt, 4BA	4	-	EA9/14
EA1.81.251	. . . Guide, cable strap	2	-	EA9/15
AGS2001B1	. . . Nut, 4BA	4	-	EA9/16
SP15B	. . . Washer	4	-	EA9/17
HV3254	. . . STRAP, helvyn	QR	-	EA9/18
NY3255	. . . STUD	QR	-	EA9/19

ELECTRICAL

ELECTRICAL EQUIPMENT IN CENTRE FUSELAGE

Part Number	Description	No. Off	Mati. Spec.	Plate No.
EG4.81.121	WIRING, FRAMES 12 - 13 PORT AND STARBOARD, ASSEMBLY Spares for :-	-	-	
EEAS132/12	STRAP, cable c/w buckle, 12" long Attaching parts for EEAS132/12 :-	5	-	EA9/20
AS1248/1B	Bolt, 4BA	1	-	EA9/21
AGS2001B1	Nut, stiff, 4BA	1	-	EA9/22
EEAS73	Plate, clamp	1	-	EA9/23
EEAS132/18	STRAP, cable c/w buckle 18" long	4	-	EA9/24
HV3254	STRAP, Helvin	QR	-	EA9/25
NY3256	STUD	QR	-	EA9/26
EB6.81.1757	WIRING, FRAMES 13 - 14, ASSEMBLY Spares for :-	-	-	
EA3.81.1279	BOLT, attachment for cocking indicator plug Attaching parts for EA3.81.1279 :-	1	-	EA10/4
AGS2001B1	Nut, stiff, 4BA	2	-	EA10/4A
EA9.81.2285	BRACKET, micro switch, L.H.	1	-	EA10/5
EA9.81.2286	BRACKET, micro switch, R.H.	1	-	EA10/5A
CWC50926	FERRULE, No. 4	18	-	EA10/7
EEAS132/15	STRAP, cable	1	-	EA10/9
HV3254	STRAP, helvyn	QR	-	EA10/10
NY3255	STUD	QR	-	EA10/11
DOWTY C1831Y	SWITCH, micro Attaching parts for CY1831Y :-	4	-	EA10/12
A25/24C	Bolt, 2BA	2	-	EA10/13
AGS2001C1/66	Nut, 2BA	2	-	EA10/14
SP13C	Washer	2	-	EA10/15
EEAS28/2EPH	WASHER	6	-	EA10/16
EG4.81.123	WIRING AND SUPPRESSOR, FRAMES 14 - 15, ASSEMBLY Spares for :-	-	-	
R 5CZ4350489	BLOCK, terminal type B, No. 7 Attaching parts for Ref. 5CZ/4350489 :-	2	-	EA11/1
A27AP	Nut, 6BA	2	-	EA11/2
A33A20	Screw, 6BA	2	-	EA11/3
SP47A	Washer	2	-	EA11/4
EEAS132/7	STRAP, cable c/w buckle	1	-	EA11/5
EEAS132/18	STRAP, cable c/w buckle Attaching parts for EEAS132/7 and EEAS132/18 :-	1	-	EA11/6
AS1248/3B	Bolt, 4BA	1	-	EA11/7
AGS2001B1	Nut, 4BA	1	-	EA11/8
EEAS73	Plate, clamp	1	-	EA11/9

ELECTRICAL
ELECTRICAL EQUIPMENT IN CENTRE FUSELAGE

Part Number	Description	No. Off	Matl. Spec.	Plate No.
R HV3254 NY3255 EL26317	. . . STRAP, Helvin	QR	-	EA11/10
	. . . STUD	QR	-	EA11/11
	. . . SUPPRESSOR, type 'O' No. 2	2	-	EA11/12
	. . . Attaching parts for EL26317:-			
	. . . Bolt, 4BA	4	-	EA11/13
A25/2B A27BP SP47B	. . . Nut, 4BA	4	-	EA11/14
	. . . Washer, spring	4	-	EA11/15
	. . . WASHER, 'D'	1	L72	EA11/16
EEAS21/2ER EG4.81.125	. . . WIRING, FRAMES 15-16, ASSEMBLY	-	-	
R 5CZ4350489	. . . Spares for:-			
	. . . BLOCK, terminal, type B, No. 1	1	-	EA11/17
	. . . Attaching parts for Ref. 5CZ4350489:-			
	. . . Nut, 6BA	2	-	EA11/18
	. . . Screw, 6BA	2	-	EA11/19
A27AP A33A20 SP47A	. . . Washer, spring	2	-	EA11/20
EEAS132/7 EEAS132/18	. . . STRAP, cable c/w buckle, port	1	-	EA11/21
	. . . STRAP, cable c/w buckle, starboard	1	-	EA11/22
	. . . Attaching parts for EEAS132/7 and EEAS132/18:-			
AS1248/3B AGS2001B1 EEAS73	. . . Bolt, 4BA	1	-	EA11/23
	. . . Nut, 4BA	1	-	EA11/24
	. . . Plate, clamp	1	-	EA11/25
HV3254 NY3255 EG4.81.127	. . . STRAP, Helvin	QR	-	EA11/26
	. . . STUD	QR	-	EA11/27
	. . . WIRING, FRAMES 16-17, ASSEMBLY	-	-	
EB6.81.859	. . . Spares for:-			
	. . . BRACKET, assembly cable support	1	-	EA11/28
AGS2001B1 A32B12	. . . Attaching parts for EB6.81.859:-			
	. . . Nut, 4BA	2	-	EA11/29
SP15B EEAS132/7 EEAS132/18	. . . Screw, 4BA	2	-	EA11/30
	. . . Washer	2	-	EA11/31
	. . . STRAP, cable c/w buckle, port	1	-	EA11/32
	. . . STRAP, cable c/w buckle, starboard	1	-	EA11/33
	. . . Attaching parts for EEAS132/7 and EEAS132/18:-			
AS1248/3B AGS2001B1 EEAS73	. . . Bolt, 4BA	1	-	EA11/34
	. . . Nut, 4BA	1	-	EA11/35
	. . . Plate, clamp	1	-	EA11/36
HV3254 NY3255 EG4.81.131	. . . STRAP, Helvin	QR	-	EA11/37
	. . . STUD	QR	-	EA11/38
	. . . WIRING, FRAMES 17-18, ASSEMBLY	-	-	
R R R R EG4.81.3263 EG4.81.3265 EG4.81.3267 EG4.81.3269	. . . Spares for:-			
	. . . FAIRLEAD (Mat spec BS2572 Type F1X 3/16" thick)	1	-	EA11/39
	. . . FAIRLEAD (Mat spec BS2572 Type F1X 3/16" thick)	1	-	EA11/40
	. . . FAIRLEAD (Mat spec BS2572 Type F1X 3/16" thick)	1	-	EA11/41
	. . . FAIRLEAD (Mat spec BS2572 Type F1X 3/16" thick)	1	-	EA11/42
R R R R A27CP A31C20 SP15C SP47C	. . . Attaching parts for fairleads:-			
	. . . Nut, 2BA	6	-	EA11/43
	. . . Screw, 2BA	6	-	EA11/44
	. . . Washer	6	-	EA11/45
	. . . Washer, spring	6	-	EA11/46

ELECTRICAL
ELECTRICAL EQUIPMENT IN CENTRE FUSELAGE

Part Number	Description	No. Off	Matl. Spec.	Plate No.
EEAS132/15	. . STRAP, cable c/w buckle	1	-	EA11/47
AS1248/3B	. . Attaching parts for EEAS132/15:-			
AGS2001B1	. . Bolt, 4BA	1	-	EA11/48
	. . Nut, 4BA	1	-	EA11/49
EEAS73	. . Plate, clamp	1	-	EA11/50
HV3254	. . STRAP	QR	-	EA11/51
NY3255	. . STUD	QR	-	EA11/52
EB7.81.1477	. . STUD, earth	2	-	EA11/53
EG4.81.133	. . WIRING AND SUPPRESSORS, FRAME 18-19 ASSEMBLY	-	-	
	Spare for:-			
R 5CZ4350489	. . BLOCK, terminal type 'B', No. 7	2	-	EA12/1
	Attaching parts for Ref. 5CZ/4350489:-			
A27AP	. . Nut, 6BA	2	-	EA12/2
A33A20	. . Screw, 6BA	1	-	EA12/3
A33A28	. . Screw, 6BA	1	-	EA12/4
SP16A	. . Washer	2	-	EA12/5
SP47A	. . Washer, spring	2	-	EA12/6
508-2-11335	. . SHELL, plug, size C	1	-	EA12/7
508-2-11331	. . SHELL, plug, size Z	1	-	EA12/8
	Attaching parts for 508-2-11335 and 508-2-11331:-			
A27AP	. . Nut, 6BA	4	-	EA12/9
A31A16	. . Screw, 6BA	4	-	EA12/10
SP47A	. . Washer	4	-	EA12/11
EEAS132/9	. . STRAP, cable c/w buckle, port	1	-	EA12/13
EEAS132/15	. . STRAP, cable c/w buckle, starboard	1	-	EA12/14
	Attaching parts for EEAS132/9 and EEAS132/15:-			
AS1248/2B	. . Bolt, 4BA	1	-	EA12/15
AGS2001B1	. . Nut, 4BA	1	-	EA12/16
EB6.81.745	. . Plate, clamp, port	1	-	EA12/17
EEAS73	. . Plate, clamp, starboard	1	-	EA12/18
HV.3254	. . STRAP	QR	-	EA12/19
NY.3255	. . STUD	QR	-	EA12/20
R EL26317	. . SUPPRESSOR, type O, No. 2	2	-	EA12/21
	Attaching parts for EL26317:-			
A25/2B	. . Bolt, 4BA	QR	-	EA12/22
A25/6B	. . Bolt, 4BA	QR	-	EA12/23
A27BP	. . Nut, 4BA	4	-	EA12/24
AS2806/4/02	. . Piece, distance	QR	-	EA12/25
SP47B	. . Washer, spring	4	-	EA12/26
EG4.81.235	. . WIRING, FRAME 19-20, ASSEMBLY	-	-	
	Spare for:-			
703-1-00226	. . BLOCK, terminal, type G	2	-	EA12/27
	Attaching parts for 703-1-00226:-			
AGS2001B1	. . Nut, 4BA	2	-	EA12/28
703-2-00267	. . Pillar, fixing	2	-	EA12/29

ELECTRICAL EQUIPMENT IN CENTRE FUSELAGE

Part Number	1 2 3 4 5 6	Description	No. Off	Matl. Spec.	Plate No.
SMITH WAYMOUTH JLA/103/61		. . BOX, cable connecting Attaching parts for JLA/103/61:-	1	-	EA12/30
A25/1C		. . Bolt, 2BA	2	-	EA12/31
AGS2002C1		. . Nut, 2BA	2	-	EA12/32
EEAS133		. . BRACKET, cable clip support Attaching parts for EEAS133:-	2	-	EA12/33
AGS2001B1		. . Nut, 4BA	1	-	EA12/34
A31B12		. . Screw, 4BA	1	-	EA12/35
703-1-00262		. . COVER, terminal block	2	-	EA12/36
EEAS132/9		. . STRAP, cable c/w buckle, port	1	-	EA12/37
EEAS132/15		. . STRAP, cable c/w buckle, starboard Attaching parts for EEAS132/9 and EEAS132/15:-	1	-	EA12/38
AS1248/1B		. . Bolt, 4BA	1	-	EA12/39
AGS2001B1		. . Nut, 4BA	1	-	EA12/40
EB6.81.745		. . Plate, clamp, port	1	-	EA12/41
EEAS73		. . Plate, clamp, starboard	1	-	EA12/42
HV3254		. . STRAP, Helvin	QR	-	EA12/43
NY3255		. . STUD	QR	-	EA12/44
EG4.81.253		. WIRING, FRAMES 20-21, ASSEMBLY Spares for:-	-	-	
EB6.81.737		. . BRACKET, cable support, across cold air pipe Attaching parts for EB6.81.737:-	1	-	EA12/45
A25/1/2B		. . Bolt, 4BA	3	-	EA12/46
A27BP		. . Nut, 4BA	3	-	EA12/47
EEAS28/6DU		. . Washer	3	-	EA12/48
EB6.81.747		. . CLIP, cable, frame 21 Attaching parts for EB6.81.747:-	1	-	EA12/49
A31B12		. . Screw, 4BA	1	-	EA12/50
A31B14		. . Screw, 4BA	1	-	EA12/51
SP47B		. . Washer, spring	2	-	EA12/52
EEAS132/7		. . STRAP, cable, c/w buckle, port	1	-	EA12/53
EEAS132/15		. . STRAP, cable, c/w buckle, starboard Attaching parts for EEAS132/7 and EEAS132/15:-	1	-	EA12/54
AS1248/1B		. . Bolt, 4BA	1	-	EA12/55
AGS2001B1		. . Nut, 4BA	1	-	EA12/56
EB6.81.745		. . Plate, clamp, port	1	-	EA12/57
EEAS73		. . Plate, clamp, starboard	1	-	EA12/58
HV3254		. . STRAP, Helvin	QR	-	EA12/59
NY3255		. . STUD	QR	-	EA12/60
EG4.81.255		. WIRING, FRAMES 21-22, ASSEMBLY Spares for:-	-	-	
EA3.81.1715		. . BRACKET Attaching parts for EA3.81.1715:-	1	-	EA13/1
A25/2B		. . Bolt, 4BA	2	-	EA13/2
SP47B		. . Washer, spring	2	-	EA13/3

ELECTRICAL

ELECTRICAL EQUIPMENT IN CENTRE FUSELAGE

Part Number	Description	No. Off	Mtl. Spec.	Plate No.
EEAS133	. . BRACKET Attaching parts for EEAS133:-	4	-	EA13/4
AGS2001B1	. . Nut, 4BA	1	-	EA13/5
A31B16	. . Screw, 4BA	1	-	EA13/6
508-1-06459	. . PLUG, bulkhead, size 'D'	2	-	EA13/7
10H/19610	. . PLUG, bulkhead, type 757	2	-	EA13/8
508-1-40189-320	. . PLUG/SOCKET, type 47	1	-	EA13/9
508-1-40196-320	. . PLUG/SOCKET, type 59	1	-	EA13/10
508-2-11331	. . SHELL, plug, size 'Z'	1	-	EA13/11
508-2-11335	. . SHELL, plug, size 'C'	1	-	EA13/12
	Attaching parts for 508-2-11331 and 11335:-			
AGS2001A1	. . Nut, stiff, 6BA	4	-	EA13/13
A31A16	. . Screw, 6BA	4	-	EA13/14
EEAS132/15	. . STRAP, cable Attaching parts for EEAS132/12:-	2	-	EA13/15
AS1248/2B	. . Bolt, 4BA	1	-	EA13/16
AGS2001B1	. . Nut, 4BA	1	-	EA13/17
EEAS73	. . Plate, clamp	1	-	EA13/18
EEAS28/2EPHQ	. . Washer	3	-	EA13/19
EB6.81.1999	. WIRING FRAMES 22-23, ASSEMBLY Spares for:-	-	-	
AGS797C	. . EYEBOLT Attaching parts for AGS797C:-	1	-	EA13/20
AGS2001C1/66	. . Nut, stiff, 2BA	1	-	EA13/21
SP13C	. . Washer	1	-	EA13/22
EA9.81.3975	. . STRAP, cable, complete, starboard	1	-	EA13/23
EB6.81.4413	. . STRAP, cable, weapon loom, port	1	-	EA13/24
EB6.81.4411	. . STRIP, cable, weapon loom, starboard	1	-	EA13/25
PT325W	. . STUD, oddie	2	-	EA13/26
PT326	. . WASHER	2	-	EA13/27
EG4.81.257	. WIRING AND SUPPRESSORS, FRAME 23-24, ASSEMBLY Spares for:-	-	-	
5CZ/4350489	. . BLOCK, terminal, type 'B', No. 1 Attaching parts for 5CZ/4350489:-	2	-	EA13/28
A27AP	. . Nut, 6BA	2	-	EA13/29
A33A20	. . Screw, 6BA	2	-	EA13/30
SP47A	. . Washer, spring	2	-	EA13/31
EB6.81.4411	. . STRAP, cable	1	-	EA13/32
EEAS132/12	. . STRAP, cable, c/w buckle Attaching parts for EEAS132/12:-	1	-	EA13/33
AS1248/2B	. . Bolt, 2BA	1	-	EA13/34
AGS2001B1	. . Nut, 2BA	1	-	EA13/35
EEAS73	. . Plate, clamp	1	-	EA13/36

ELECTRICAL

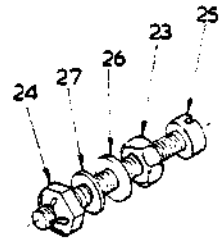
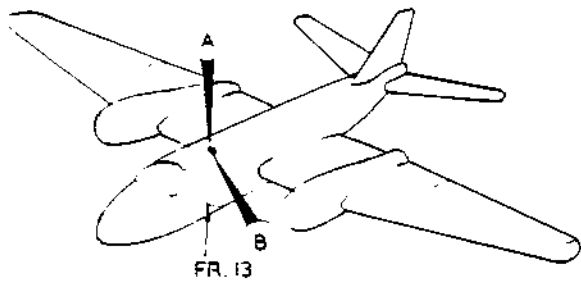
ELECTRICAL EQUIPMENT IN CENTRE FUSELAGE

Part Number	Description	No. Off	Mati. Spec.	Plate No.
EL26317	. . SUPPRESSOR, type 'O', No. 2 Attaching parts for EL26317:—	2	—	EA13/37
A25/2B	. . Bolt, 4BA	4	—	EA13/38
A27BP	. . Nut, 4BA	4	—	EA13/39
SP47B	. . Washer, spring	4	—	EA13/40
EG4.81.267	. WIRING, FRAMES 24-25, ASSEMBLY Spares for:—	—	—	
SMITH WAYMOUTH JLA103J	. . BOX, cable connection (Pre-Mod 3391)	1	—	
SMITH WAYMOUTH JY86	. . BOX, cable connection (Mod 3391) Attaching parts for JLA103J or JY86:—	1	—	EA14/1
A25/15C	. . Bolt, 2BA	2	—	EA14/2
AGS2001C1/66	. . Nut, 2BA	2	—	EA14/3
AS2811/5/089	. . Tube, distance	2	—	EA14/4
SP15C	. . Washer	2	—	EA14/5
EA3.81.1807	. . BRACKET, plug	1	L72	EA14/6
508-1-41036	. . CAP, protective	2	—	EA14/7
EA9.81.2105	. . COVER, assembly	1	—	EA14/8
508-1-40068-321	. . PLUG, fixed	1	—	EA14/9
508-1-40068-320	. . PLUG, fixed	1	—	EA14/10
CANNON ELECTRIC 2182/8	. . RECEPTACLE, dummy Attaching parts for 2182/8:—	1	—	EA14/11
AGS2001B1	. . Nut, 4BA	4	—	EA14/12
A32B24	. . Screw, 4BA	4	—	EA14/13
AS2180/4/0500	. . Tube, distance	4	L62	EA14/14
SP15B	. . Washer	4	—	EA14/15
EEAS132/12	. . STRAP, cable c/w buckle Attaching parts for EEAS132/12:—	2	—	EA14/16
AS1248/2B	. . Bolt, 2BA	1	—	EA14/17
AGS2001B1	. . Nut, 2BA	1	—	EA14/18
EEAS73	. . Plate, clamp	1	—	EA14/19
EEAS28/4DPH	. . Washer	2	L16	EA14/20
EG4.81.269	. WIRING, FRAMES 25-26, ASSEMBLY Spares for:—	—	—	
EEAS132/12	. . STRIP, cable c/w buckle Attaching parts for EEAS132/12:—	1	—	EA14/21
AS1248/2B	. . Bolt, 4BA	1	—	EA14/22
AGS2001B1	. . Nut, 4BA	1	—	EA14/23
EEAS73	. . Plate, clamp	1	—	EA14/24

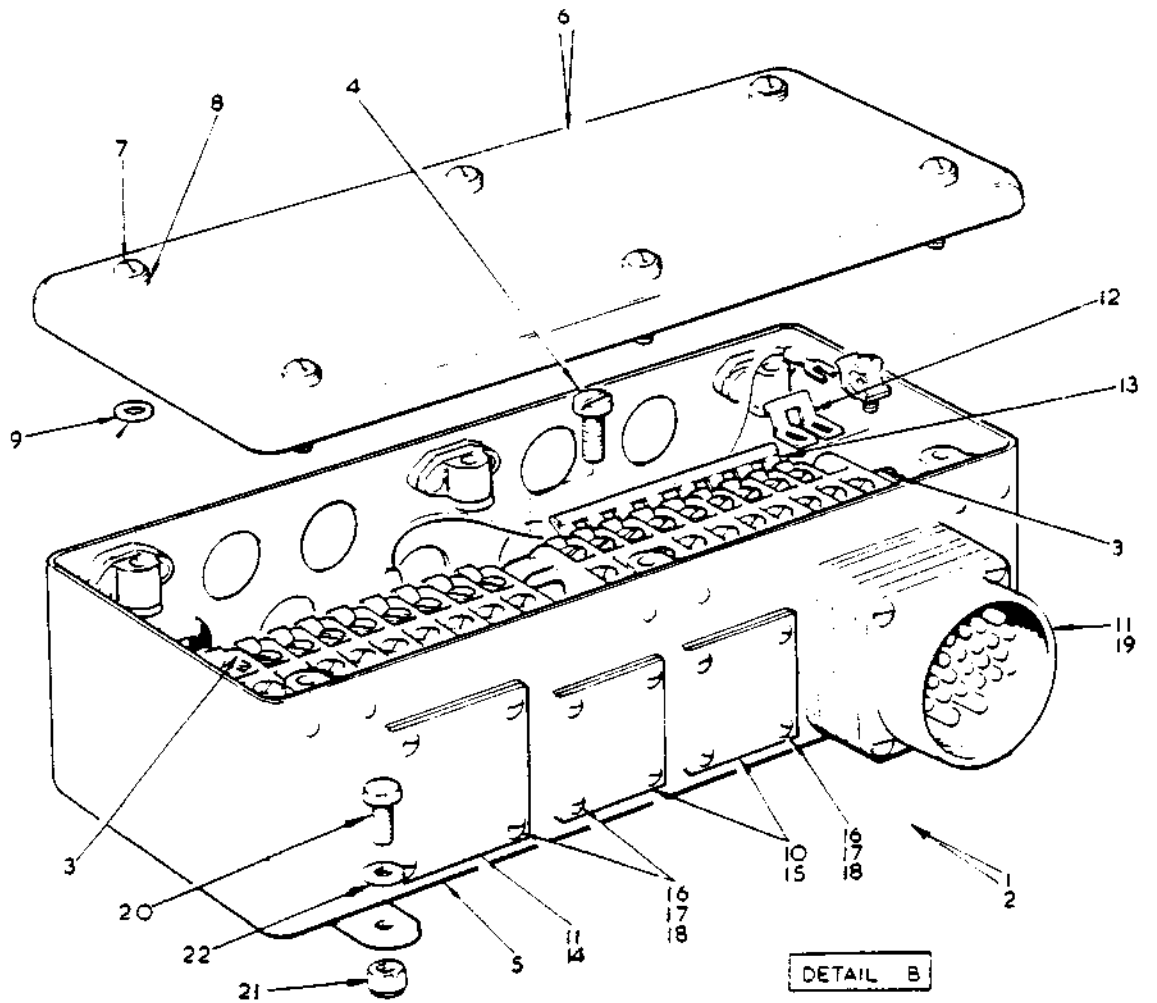
ELECTRICAL

ELECTRICAL EQUIPMENT IN CENTRE FUSELAGE

Part Number	Description	No. Off	Matl. Spec.	Plate No.
EG4.81.117	. WIRING TO FLAP TRANSMITTER, ASSEMBLY Spares for:—	—	—	
EEAS132/12	. . STRAP, c/w buckle Attaching parts for EEAS132/12:—	1	—	EA8/23
AS1248/3B	. . Bolt, 4BA	1	—	EA8/24
AGS2001B1	. . Nut, 4BA	1	—	EA8/25
EEAS73	. . Plate, clamp	1	—	EA8/26
EA3.81.387	. WIRING, No. 1 FUEL TANK TRANSMITTER, ASSEMBLY Spares for:—	—	—	EA3/33
SMITH WAYMOUTH JLA103/60	. . BOX, cable connection Attaching parts for JLA/103/60:—	1	—	EA3/34
A25/4C	. . Bolt, 2BA	2	—	EA3/35
AGS2002C1	. . Nut, 2BA	2	—	EA3/36
AS2809/4/030	. . Tube, distance	2	T.4 or L.62	EA3/37
EEAS.133	. . BRACKET Attaching parts for EEAS133:—	1	—	EA3/38
AGS2002B1	. . Nut, stiff, 4BA	1	—	EA3/39
A31B12	. . Screw, 4BA	1	—	EA3/40
AS3180/3B	. . CLIP, cable fixing	1	—	EA3/41
AS3180/4B	. . CLIP, cable fixing Attaching parts for AS3180/3B and AS3180/4B:—	3	—	EA3/42
AGS2002B1	. . Nut, 4BA	1	—	EA3/43
A31B12	. . Screw, 4BA	1	—	EA3/44
EB6.81.347	. WIRING, VENT VALVES, ASSEMBLY Spares for:—	—	—	EA8/12
703-1-00238	. . BLOCK, terminal, type G Attaching parts for 703-1-00238:—	1	—	EA8/13
AS1246/5B	. . Bolt, 4BA	2	—	EA8/14
AGS2001B1	. . Nut, stiff, 4BA	2	—	EA8/15
EB7.81.923	. . BRACKET	2	—	EA8/16
EEAS136	. . BRACKET	2	—	EA8/17
AS3180/3B	. . CLIP, cable fixing	7	—	EA8/18
AS3180/4B	. . CLIP, cable fixing	1	—	EA8/19
AS3180/6B	. . CLIP, cable fixing Attaching parts for AS3180/3B, AS3180/4B and AS3180/6B:—	2	—	EA8/20
AGS2001B1	. . Nut, stiff, 4BA	QR	—	EA8/21
A31B12	. . Screw, 4BA	QR	—	EA8/22
EEAS146C	. . SLEEVE, $\frac{3}{8}$ " long, yellow	2	—	

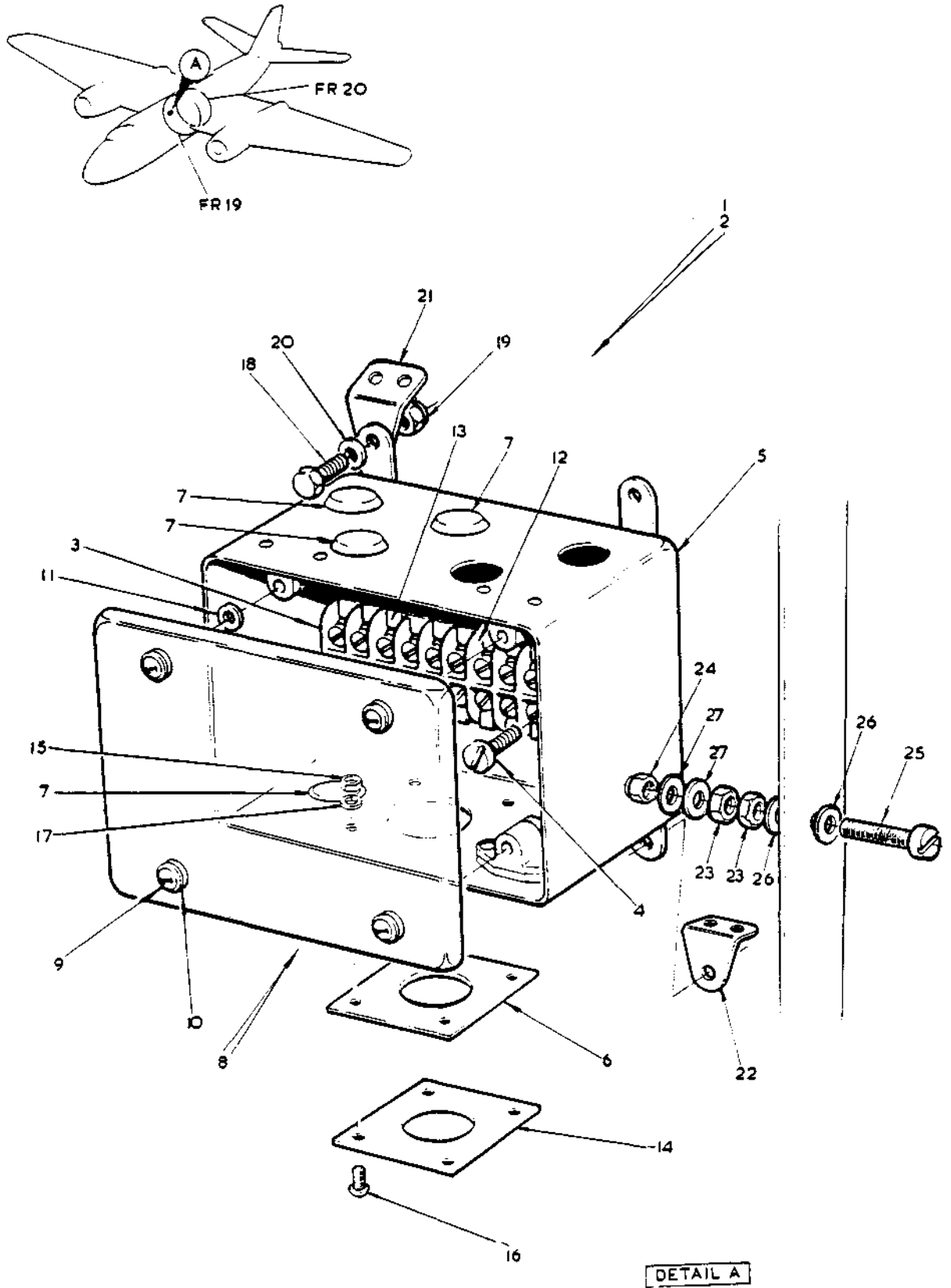


DETAIL A

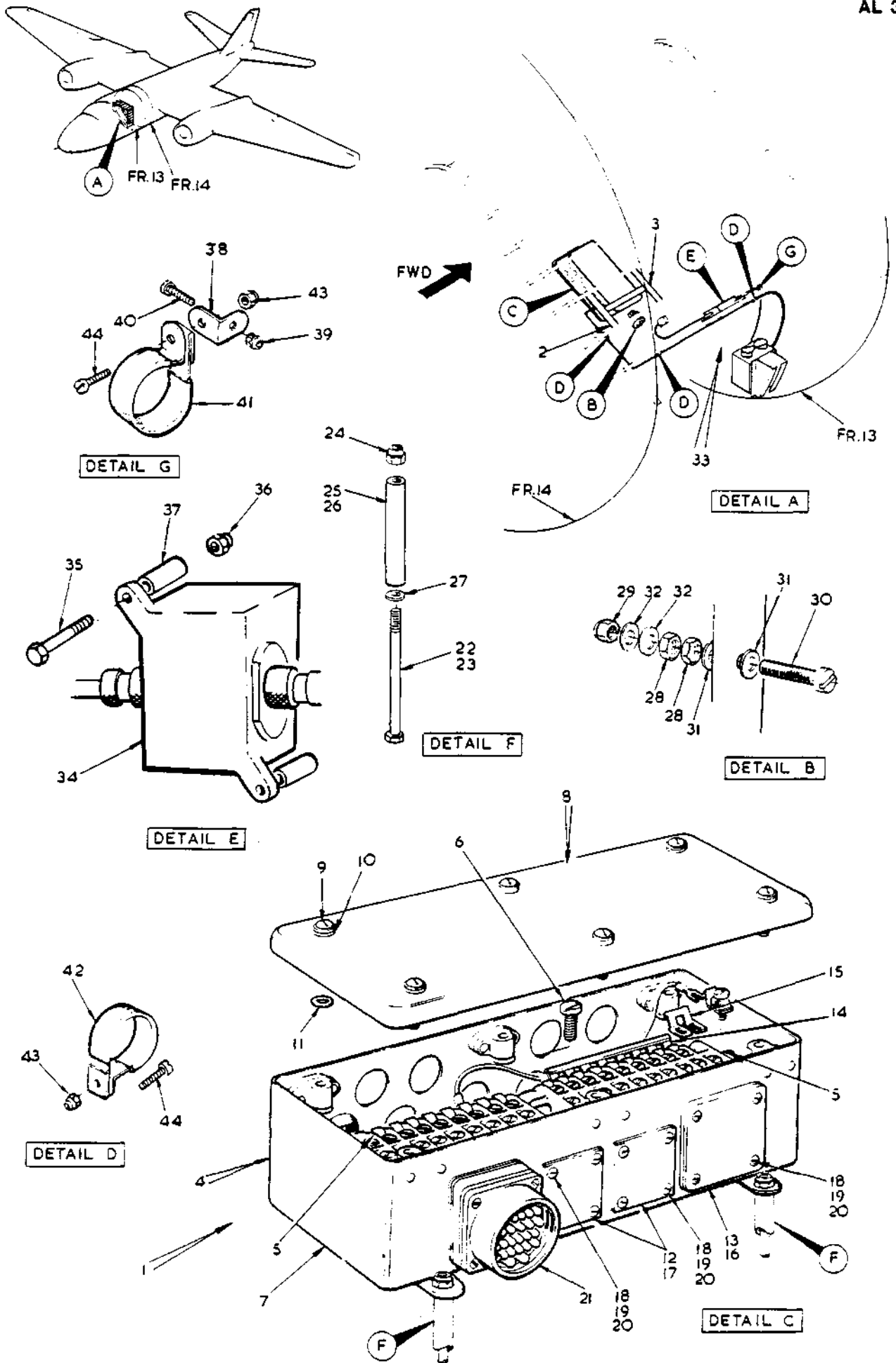


DETAIL B

CODE 2 FIG. 1 ELECTRICAL EQUIPMENT IN CENTRE FUSELAGE



CODE Z **FIG. 2 ELECTRICAL EQUIPMENT IN CENTRE FUSELAGE** SECT. EA



CODE Z **FIG. 3 ELECTRICAL EQUIPMENT IN CENTRE FUSELAGE** SECT EA

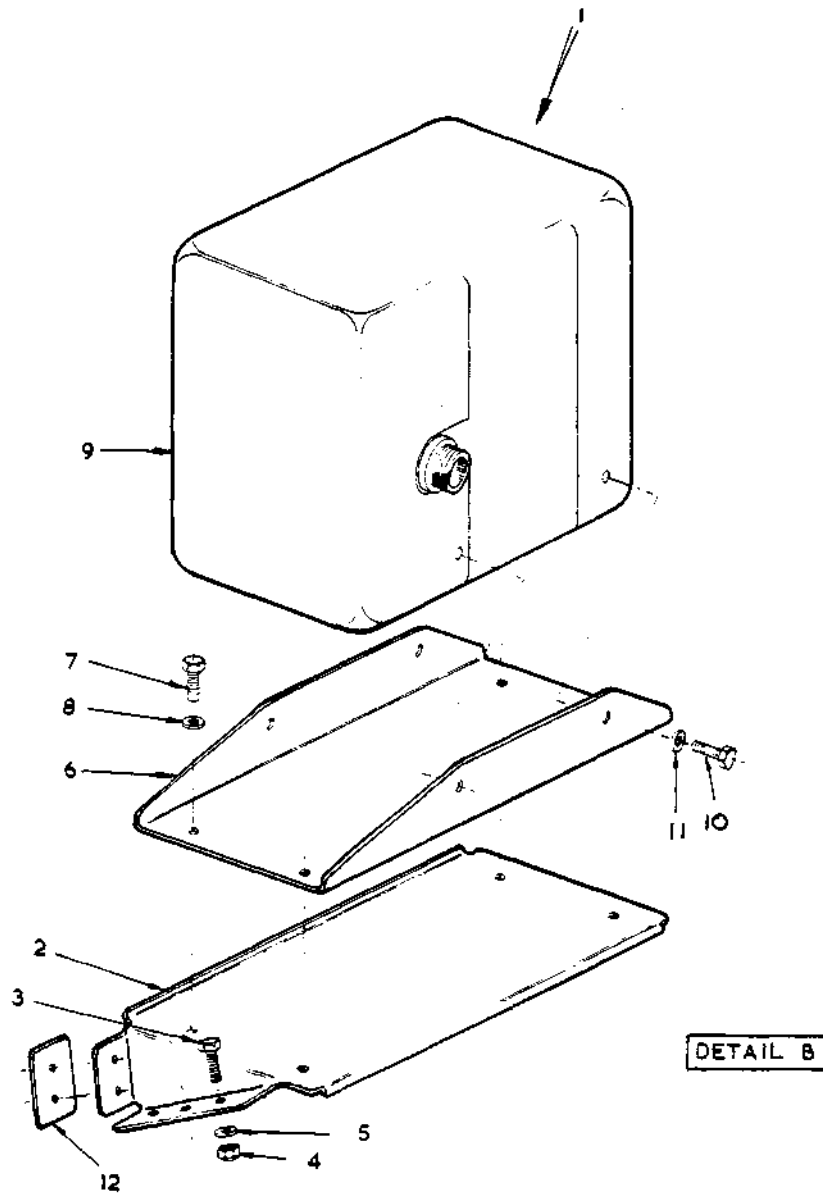
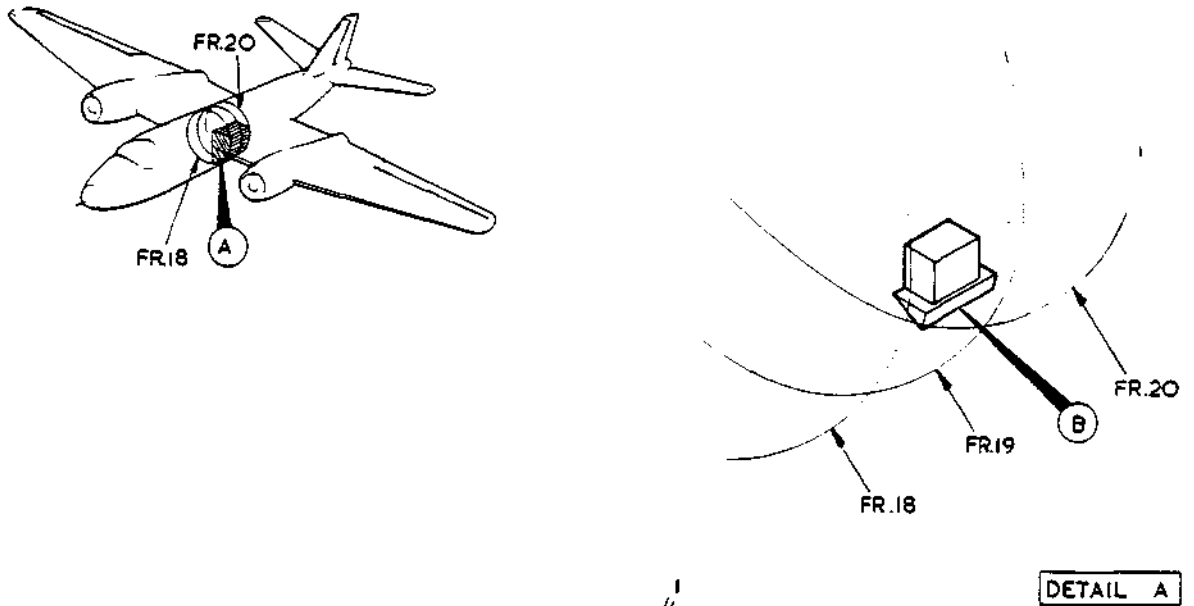
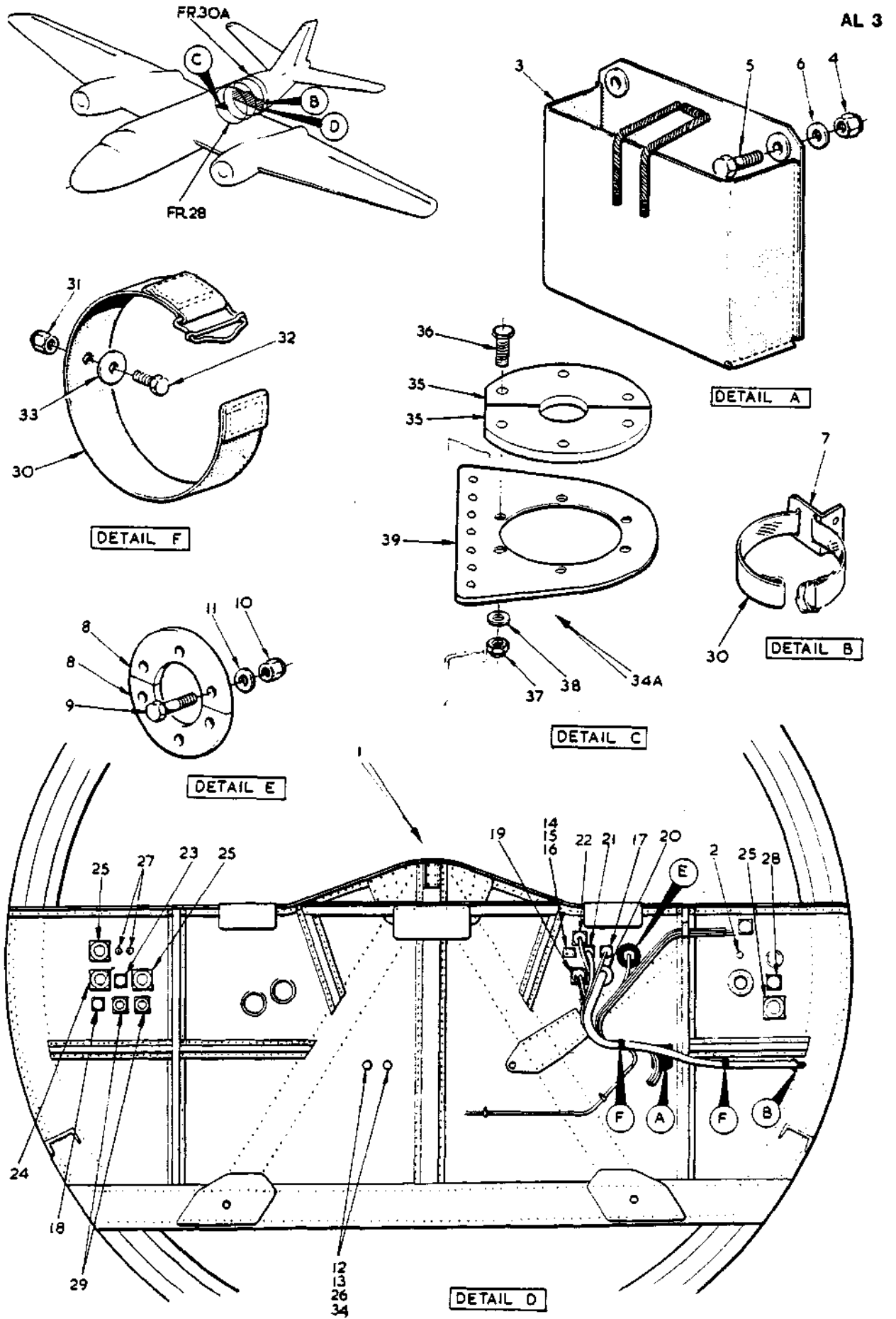


FIG. 4 ELECTRICAL EQUIPMENT IN CENTRE FUSELAGE

CODE Z

SECT. EA



CODE Z **FIG. 5 ELECTRICAL EQUIPMENT IN CENTRE FUSELAGE**

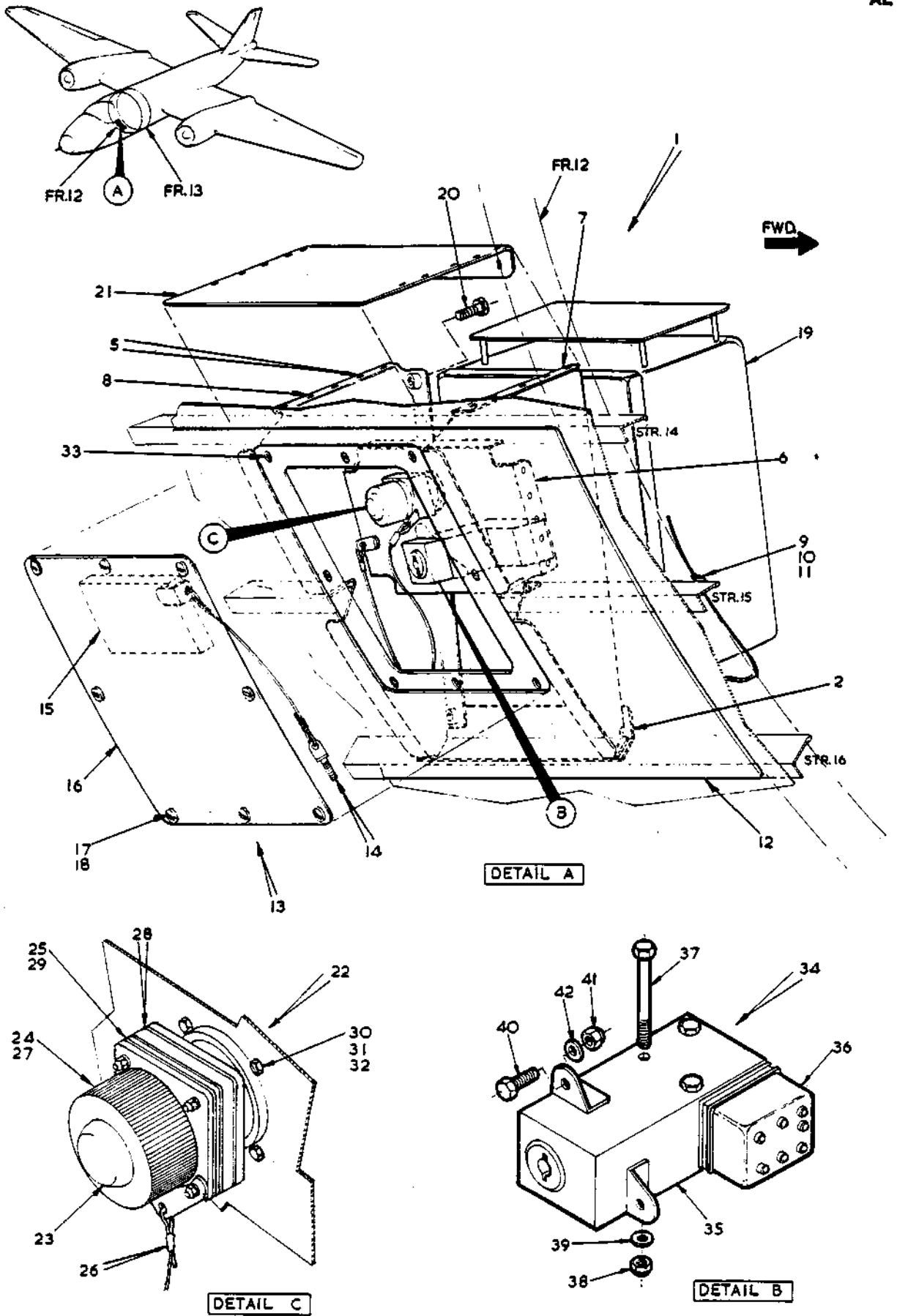
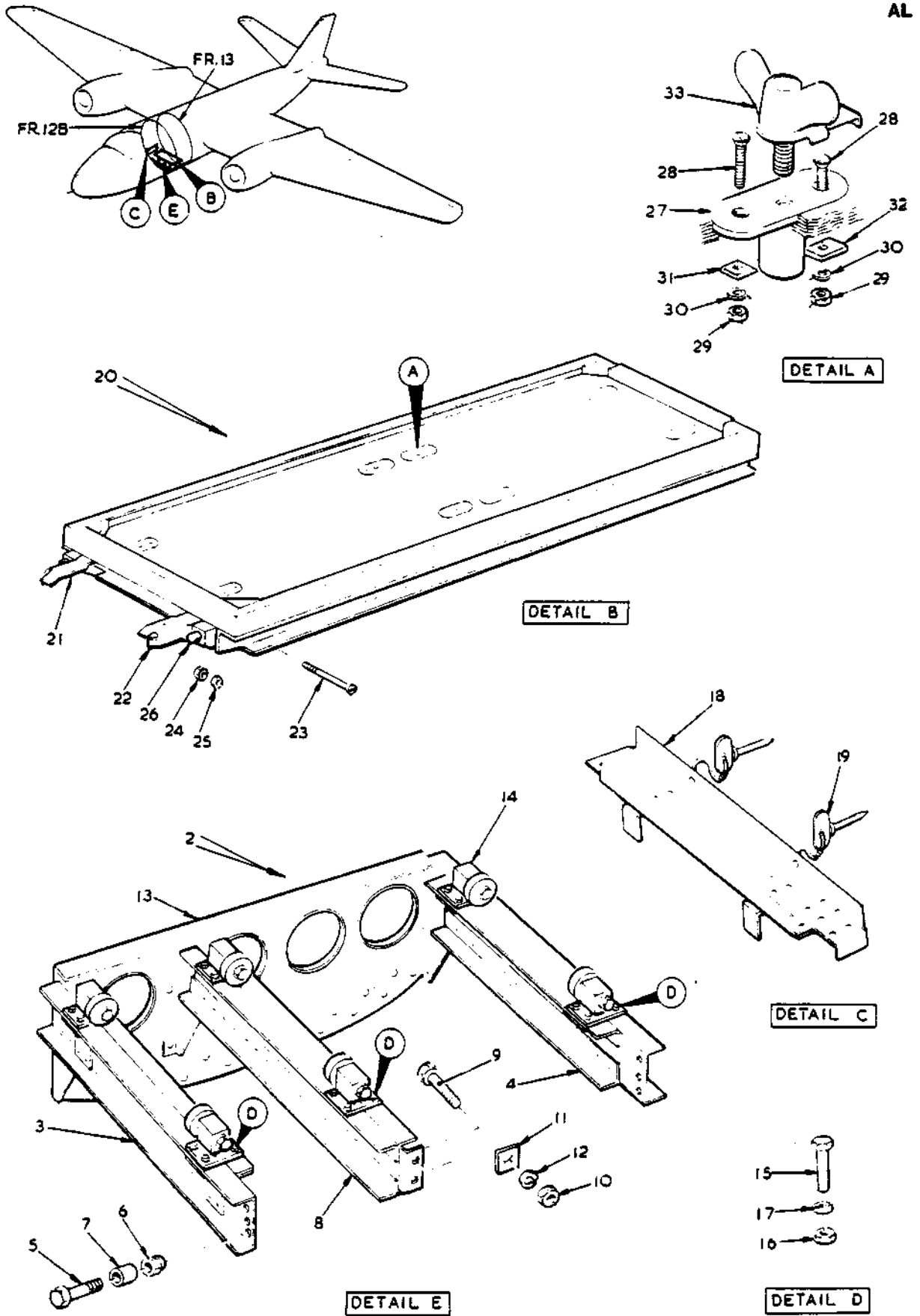


FIG. 6 ELECTRICAL EQUIPMENT IN CENTRE FUSELAGE

CODE Z

SECT. EA



CODE Z **FIG. 7 ELECTRICAL EQUIPMENT IN CENTRE FUSELAGE** SECT. EA

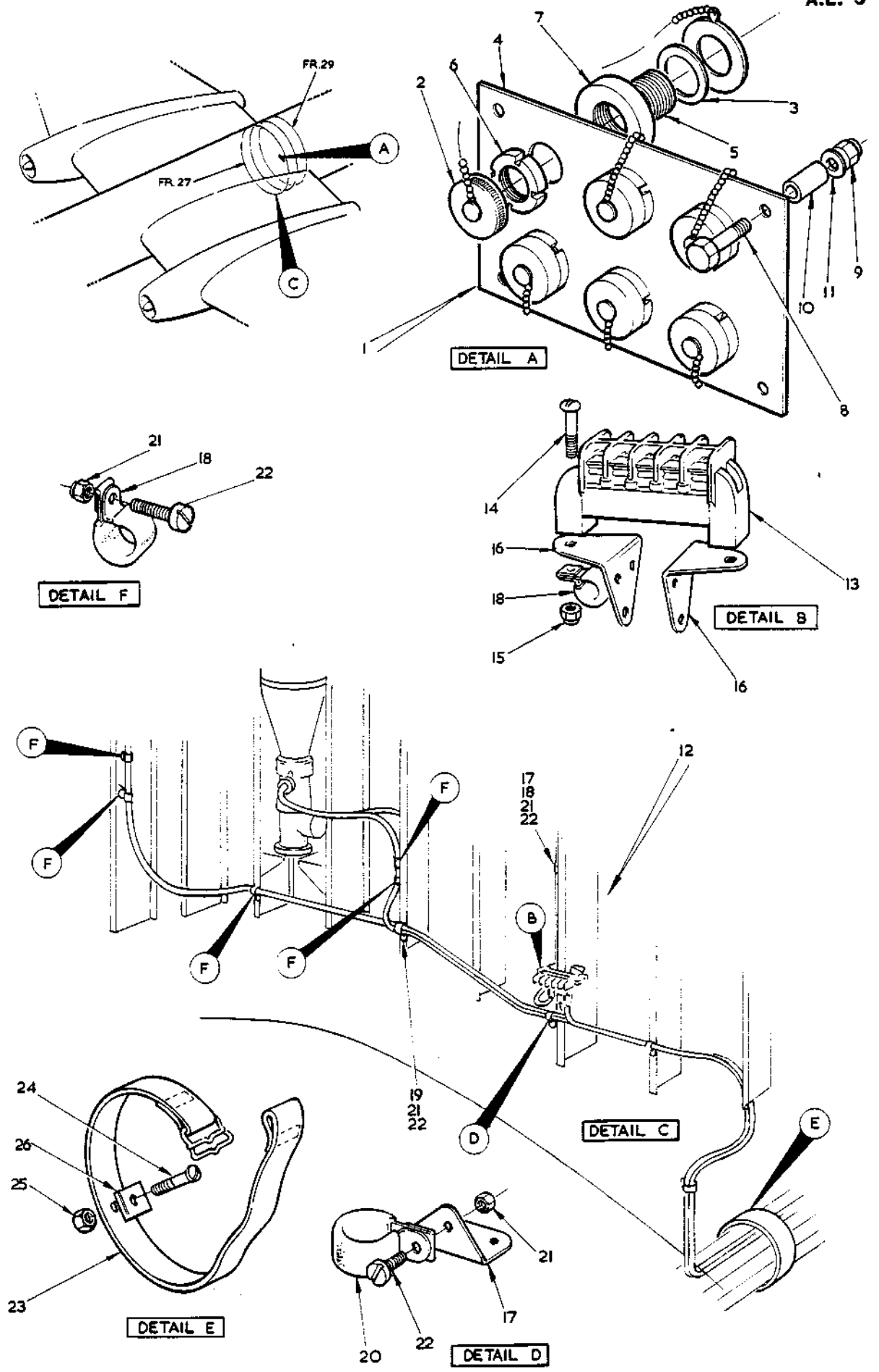
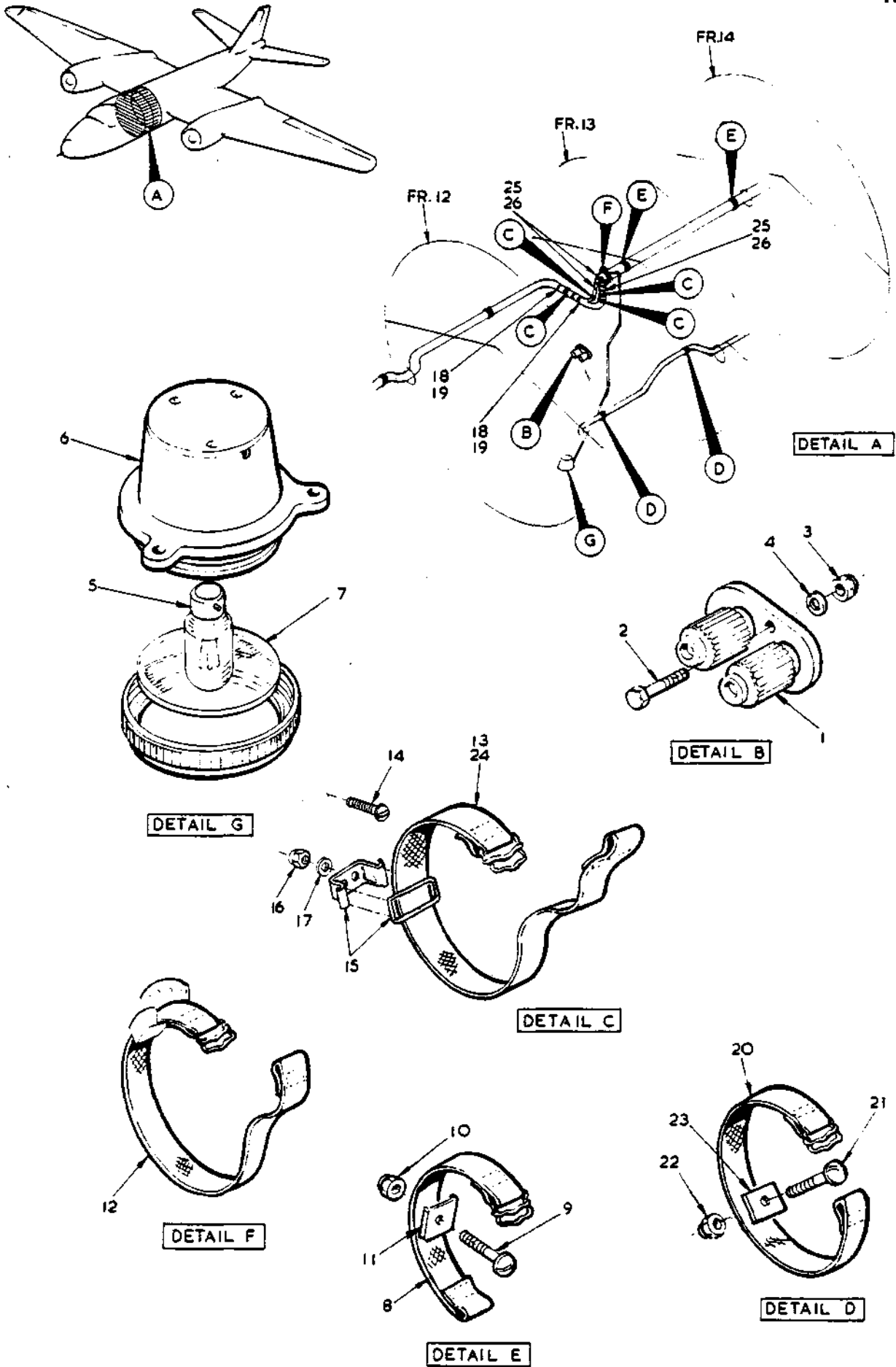


FIG. 8 ELECTRICAL EQUIPMENT IN CENTRE FUSELAGE
CODE Z SECT. EA



CODE 2 **FIG. 9 ELECTRICAL EQUIPMENT IN CENTRE FUSELAGE** SECT. EA

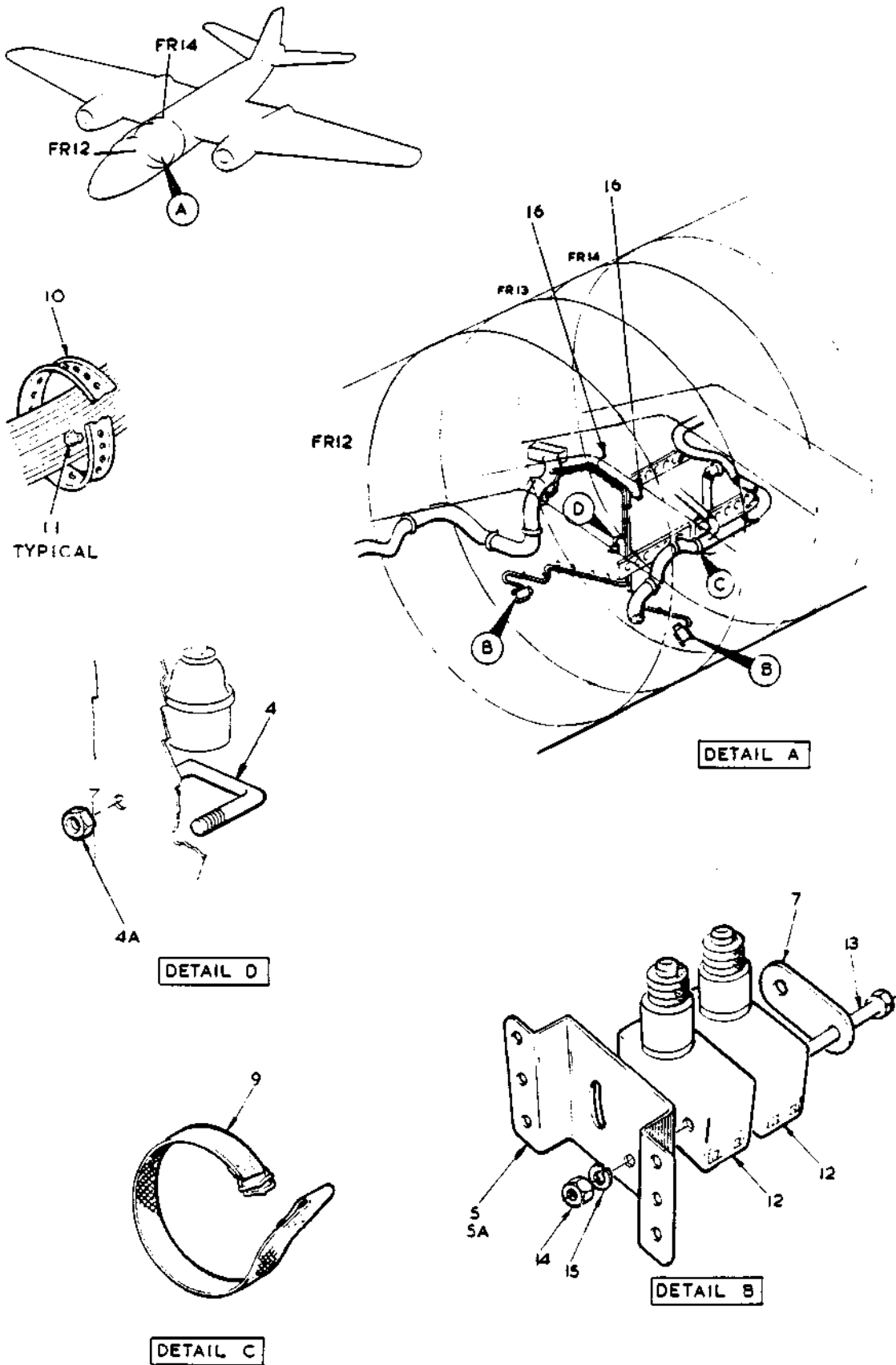


FIG. 10 ELECTRICAL EQUIPMENT IN CENTRE FUSELAGE

CODE 2

SECT. EA

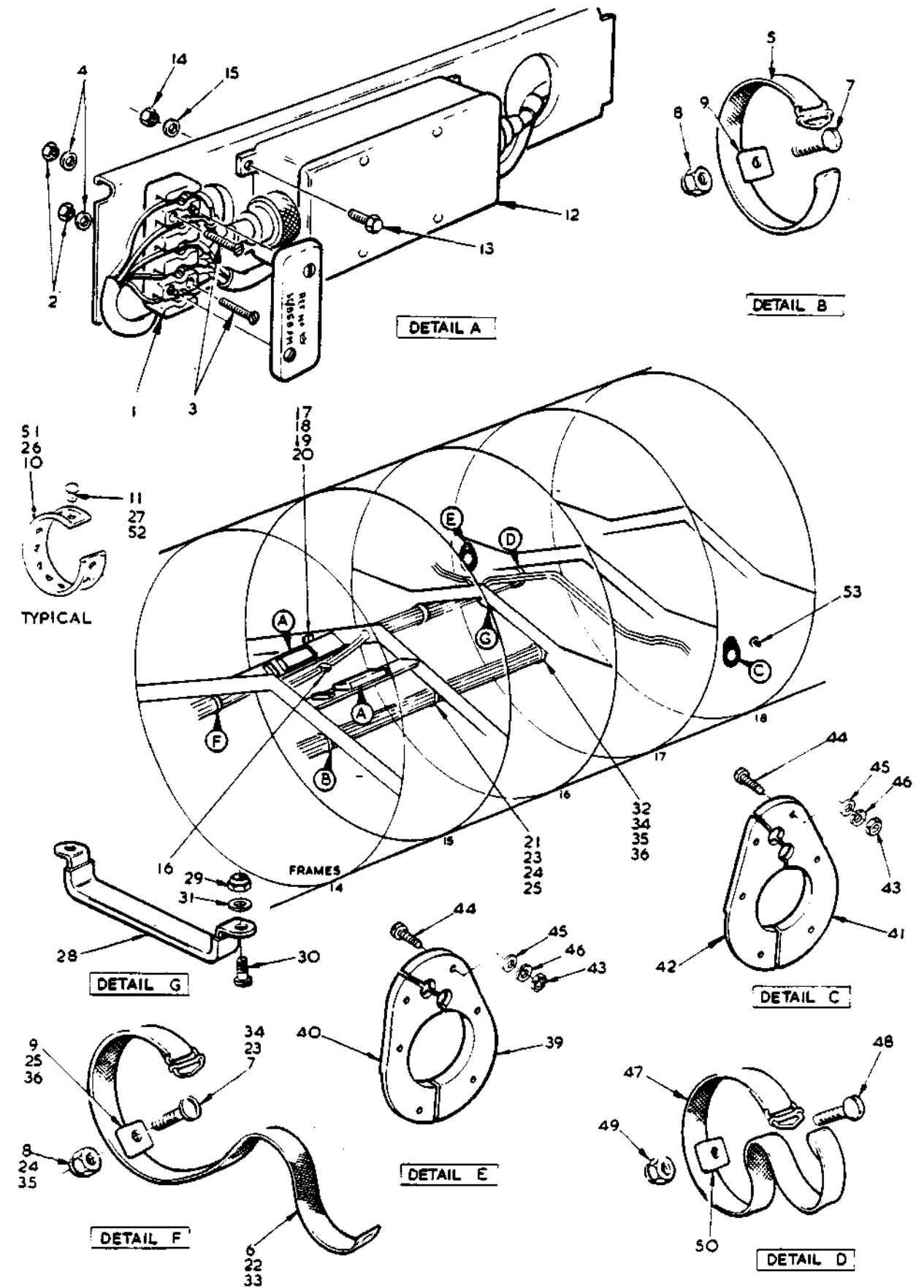


FIG. 11 ELECTRICAL EQUIPMENT IN CENTRE FUSELAGE

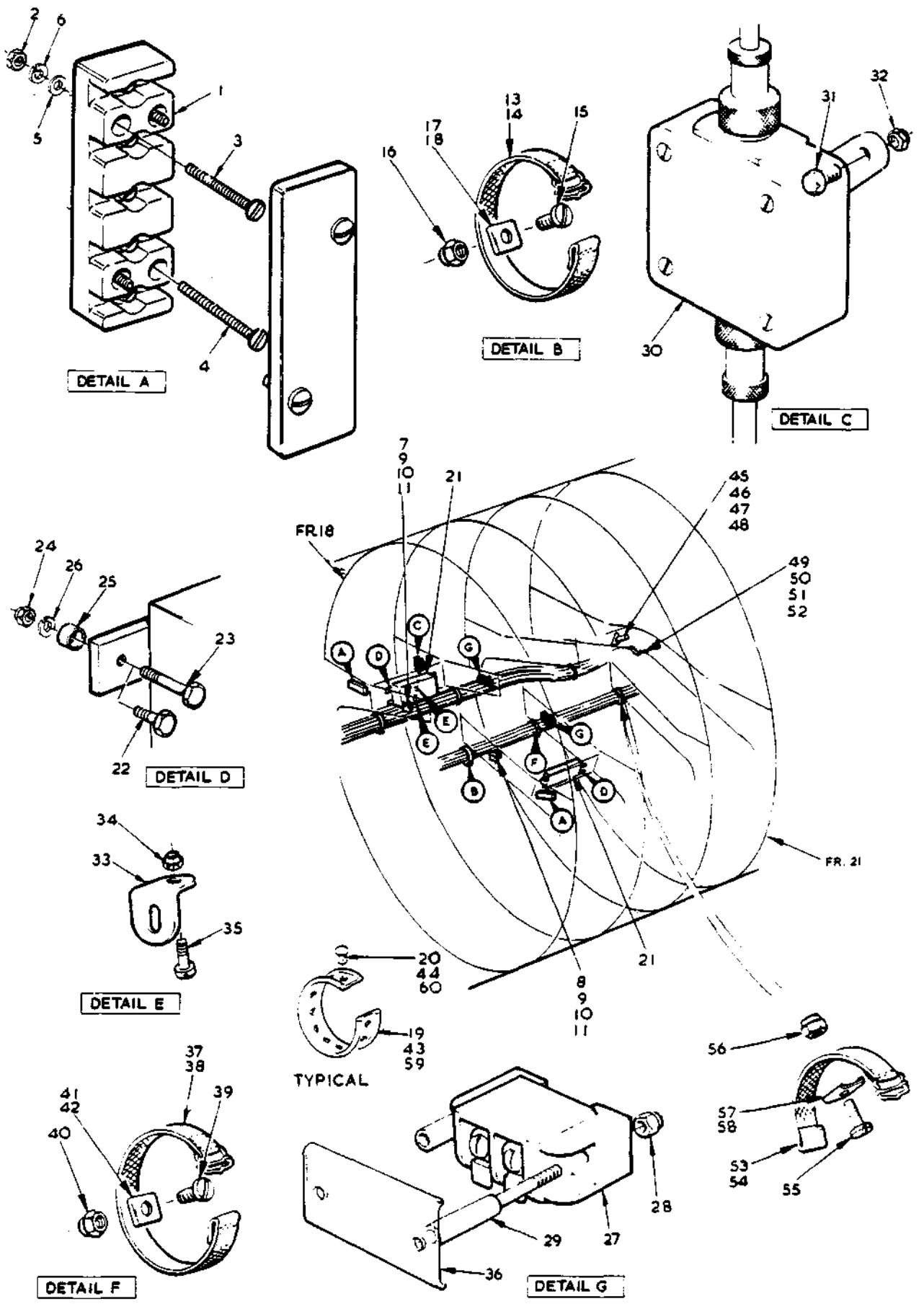


FIG. 12 ELECTRICAL EQUIPMENT IN CENTRE FUSELAGE

CODE Z

SECT. EA

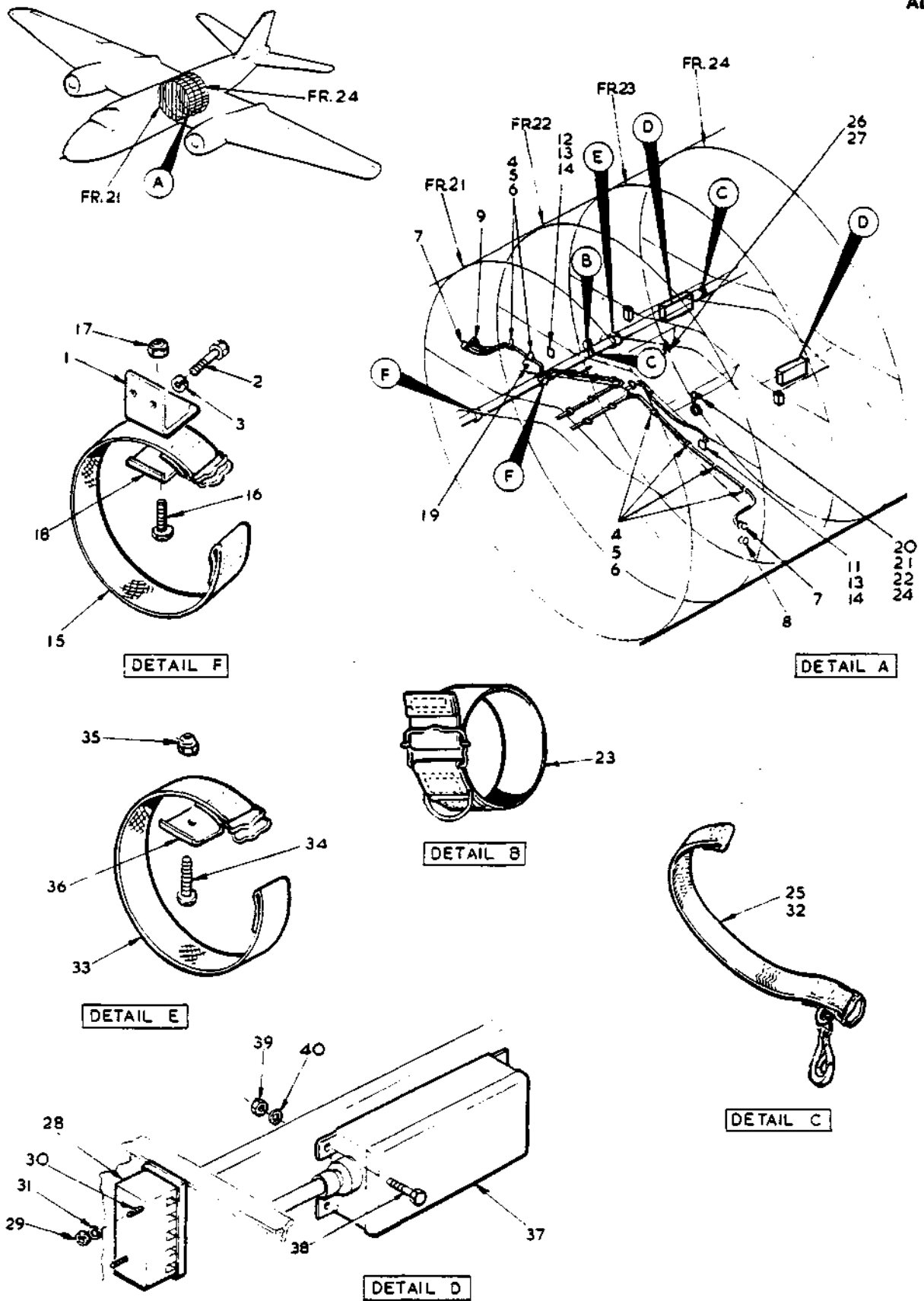
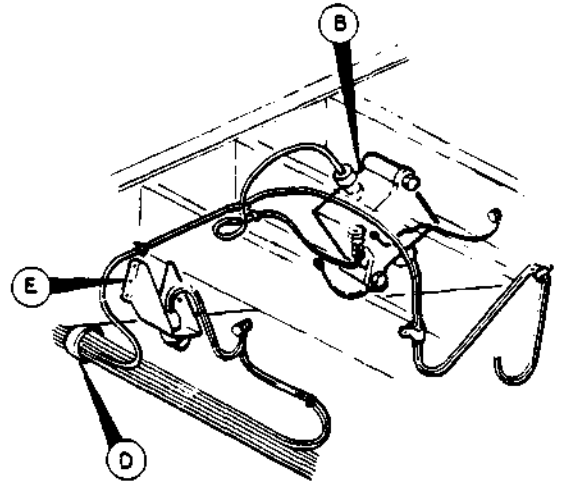
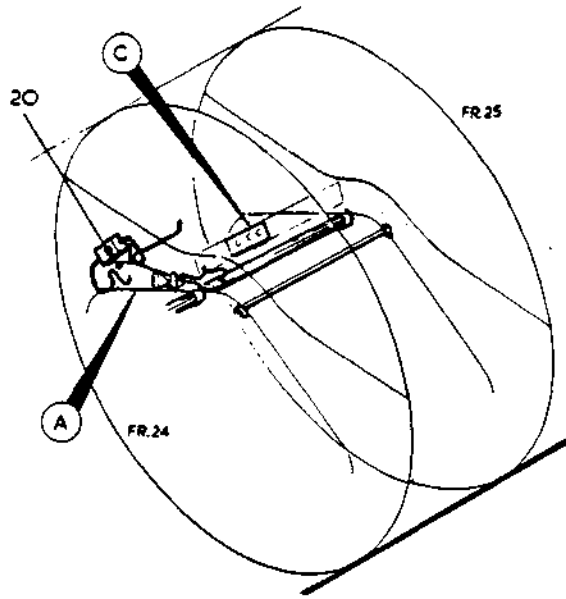


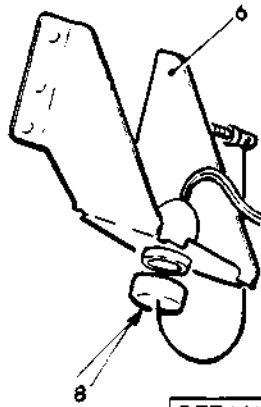
FIG. 13 ELECTRICAL EQUIPMENT IN CENTRE FUSELAGE

CODE Z

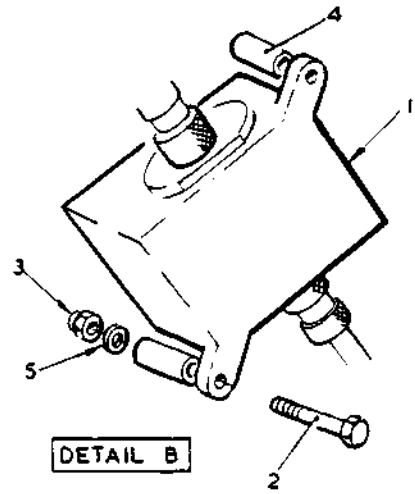
SECT. EA



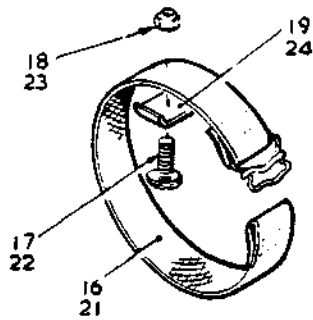
DETAIL A



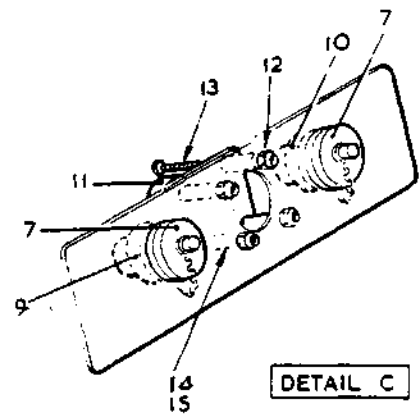
DETAIL E



DETAIL B



DETAIL D



DETAIL C

FIG. 14 ELECTRICAL EQUIPMENT IN CENTRE FUSELAGE

CODE Z

SECT. EA

This file was downloaded
from the RTFM Library.

Link: www.scottbouch.com/rtfm

Please see site for usage terms,
and more aircraft documents.

