

ELECTRICAL

ELECTRICAL EQUIPMENT IN FRONT FUSELAGE

Part Number	Description	No. Off	Matl. Spec.	Plate No.
EG4.81.2805	ELECTRICAL EQUIPMENT IN FRONT FUSELAGE	-	-	
EG4.81.2863	Spares for :- BOX, DISTRIBUTION No. 2 INSTALLATION	1	-	EB1/1
EG4.81.3137	Spares for :- BLOCK, 4 - WAY FUSE, ASSEMBLY	1	-	EB1/2
703-1-00416	Spares for :- BLOCK, fuse, 4 - way	1	-	EB1/3
EG4.81.3139	LABEL	1	-	EB1/4
EG4.81.3141	BLOCK, 4 - WAY FUSE, ASSEMBLY	1	-	EB1/5
703-1-00416	Spares for :- BLOCK, fuse 4 - way	1	-	EB1/6
EG4.81.3143	LABEL	1	-	EB1/7
EG4.81.3145	BLOCK, 4 - WAY FUSE, ASSEMBLY	1	-	EB1/8
703-1-00416	Spares for :- BLOCK, fuse, 4 - way	1	-	EB1/9
EG4.81.3147	LABEL	1	-	EB1/10
EG4.81.3129	BLOCK, 4 - WAY FUSE, ASSEMBLY	1	-	EB1/11
703-1-00416	Spares For :- BLOCK, fuse, 4 - way	1	-	EB1/12
EG4.81.3127	LABEL	1	-	EB1/13
A3188	Attaching parts for EG4.81.3137 and EG4.81.3141, EG4.81.3145 and EG4.81.3129 :-			
SP47B	Screw, 4BA, cheese head	2	-	EB1/14
	Washer, 4BA	2	-	EB1/15
703-2-00244	BLOCK, terminal, 10 - way	1	-	EB1/16
AGS2001B1	Attaching parts for 703-2-00244 :-			
A31B24	Nut, 4BA	2	-	EB1/17
	Screw, 4BA, cheese head	2	-	EB1/18
703-1-00249	BLOCK, terminal, 20 - way	2	-	EB1/19
A31B24	Attaching parts for 703-1-00249 :-			
	Screw, 4BA, cheese head	2	-	EB1/20
EB7.81.941	BOX, distribution	1	-	EB1/21
508/1/03442/003	CAP, protective	1	-	EB1/22
EA2.81.795	CARRIER, spare fuse	1	-	EB1/23
AGS2001A1	Attaching parts for EA2.81.795 :-			
A32A16	Nut, 6BA	2	-	EB1/24
	Screw, 6BA, round head	2	-	EB1/25
EB7.81.943	COVER, ASSEMBLY	1	-	EB1/26
EEAS117/1	Spares for :- SCREW, cover	4	S92	EB1/27
EEAS28/2CU	WASHER	8	DTD124	EB1/28
EEAS42	WASHER	4	Leather	EB1/29
EA1.81.488	DISC, blanking	5	-	EB1/30
EA1.81.487	DISC, blanking	4	-	EB1/31
EB6.81.4807	DISC, blanking	2	-	EB1/32
102096	FUSE, dummy	7	-	
10H9463981	FUSE, 5 amp	9	-	
5X9431616	GROMMET	10	-	EB1/33
EB7.81.945	LABEL	1	-	EB1/34
2R X 3/16"	Attaching parts for EB7.81.945 :-			
	Screw, PK round head 3/16" long	1	-	EB1/35
EA3.81.577	LABEL	1	-	EB1/36
2R X 3/16"	Attaching parts for EA3.81.577 :-			
	Screw, PK round head 3/16" long	4	-	EB1/37

R
R

ELECTRICAL EQUIPMENT IN FRONT FUSELAGE

Part Number	Description	No. Off	Matl. Spec.	Plate No.
EA3.81.585	. . . LABEL	1	-	EB1/38
2R X 3/16"	. . . Attaching parts for EA3.81.585 :- . . . Screw, PK round head 3/16" long	2	-	EB1/39
EB7.81.953	. . . LABEL	1	-	EB1/40
2R X 3/16"	. . . Attaching parts for EB7.81.953 :- . . . Screw, PK round head 3/16" long	2	-	EB1/41
EG4.81.3149	. . . LABEL	1	-	EB1/42
2R X 3/16"	. . . Attaching parts for EG4.81.3149 :- . . . Screw, PK round head 3/16" long	4	-	EB1/43
EA3.81.581	. . . LABEL	1	-	EB1/44
2R X 3/16"	. . . Attaching parts for EA3.81.581 :- . . . Screw, PK round head 3/16" long	2	-	EB1/45
PLESSEY				
703-2-00255	. . . LINK, 6 - way	1	-	
703-2-00252	. . . LINK, 3 - way	2	-	
EEAS71/2	. . . LINK, 3 - way	1	-	
EEAS71/1	. . . LINK, 2 - way	2	-	
703-2-00260	. . . LINK, transverse	1	-	
EA3.81.243	. . . MOUNTING, fuse block	1	-	EB1/46
A31B12	. . . Attaching parts for EA3.81.243 :- . . . Screw, 4BA, cheese head	6	-	EB1/47
EA3.81.241	. . . MOUNTING, relay	1	-	EB1/48
A31B12	. . . Attaching parts for EA3.81.241 :- . . . Screw, 4BA, cheese head	6	-	EB1/49
508-2-07657-003	. . . NUT, union	5	-	EB1/50
10H0970127	. . . NUT, union	4	-	EB1/51
10H0970130	. . . NUT, union	2	-	EB1/52
508/1/07060/220	. . . PLUG, fixed, Mk 7	1	-	EB1/53
508/1/07060/221	. . . PLUG, fixed, Mk 7	1	-	EB1/61
508/1/07060/222	. . . PLUG, fixed, Mk 7	1	-	EB1/62
5CW9729122	. . . RELAY, type S1	3	-	EB1/54
AGS2001A1	. . . Attaching parts for Ref. 5CW/9729122			
508/2/12373/001	. . . Nut, 6BA	4	-	EB1/55
EA3.81.245	. . . RING, anti chafe	3	-	EB1/63
AGS2001A1	. . . SCREEN	1	-	EB1/56
A31A8	. . . Attaching parts for EA3.81.245 :- . . . Nut, 6BA	5	-	EB1/57
EEAS146/10	. . . SLEEVE, 3/8" long	QR	-	
EEAS146/10	. . . SLEEVE, 1/2" long	QR	-	
EEAS146/20	. . . SLEEVE, 3/4" long	QR	-	
PLESSEY				
508-1-40049-322	. . . SOCKET, fixed, Mk 4	1	-	EB1/59
HV3254	. . . STRAP, helvin	QR	-	
OP3255	. . . STUD	QR	-	
HELLERMANN				
HC304	. . . TAG, RT	2	-	
HC500	. . . TAG, QR	3	-	
HC490	. . . TAG, QR	QR	-	
EEAS43/2	. . . WASHER	1	-	
EEAS43/1	. . . WASHER	3	Alum Alum	
A251C	. . . Attaching parts for EG4.81.2863 :- . . . Bolt, 2BA	4	-	EB1/60

ELECTRICAL
ELECTRICAL EQUIPMENT IN FRONT FUSELAGE

Part Number	Description	No. Off						Matl. Spec.	Plate No.	
		1	2	3	4	5	6			
EG4.81.2865	. . . BOX, DISTRIBUTION, DC AND 400 CYCLE, INSTALLATION							-	-	EB2/1
EB7.81.679	. . . BLOCK, FUSE ASSEMBLY Spares for :-							1	-	EB2/2
PLESSEY 703-1-00416	. . . BLOCK, fuse, 4 - way							1	-	EB2/3
EB7.81.769	. . . LABEL							1	-	EB2/4
A31B8	. . . Attaching parts for EB7.81.679 :-							2	-	EB2/5
AGS2035B	. . . Screw, 4BA, cheese head							2	-	EB2/6
	. . . Washer, spring									
EB7.81.681	. . . BLOCK, FUSE ASSEMBLY Spares for :-							1	-	EB2/7
PLESSEY 703-1-00416	. . . BLOCK, fuse, 4 - way							1	-	EB2/8
EB7.81.771	. . . LABEL							1	-	EB2/9
A31B8	. . . Attaching parts for EB7.81.681 :-							2	-	EB2/10
AGS2035B	. . . Screw, 4BA, cheese head							2	-	EB2/11
	. . . Washer, spring									
EG4.81.3133	. . . BLOCK, FUSE, ASSEMBLY Spares for :-							1	-	EB2/12
PLESSEY 703-1-00416	. . . BLOCK, fuse, 4 - way							1	-	EB2/13
EG4.81.3131	. . . LABEL							1	-	EB2/14
A31B8	. . . Attaching parts for EG4.81.3133 :-							2	-	EB2/15
AGS2035B	. . . Screw, 4BA, cheese head							2	-	EB2/16
	. . . Washer, spring									
PLESSEY 703-2-00244	. . . BLOCK, terminal, 10 way							2	-	EB2/17
A31B28	. . . Attaching parts for 703-2-00244 :-							2	-	EB2/18
	. . . Screw, 4BA, cheese head									
703-1-00249	. . . BLOCK, terminal, 20 - way							7	-	EB2/19
	. . . Attaching parts for 703-1-00249 :-									
R A31B32	. . . Screw, 4BA, cheese head							2	-	EB2/21
AGS2035B	. . . Washer, spring							2	-	EB2/22
AS2652	. . . BLOCK, terminal, 37 amp							2	-	EB2/23
A31B16	. . . Attaching parts for AS2652 :-							2	-	EB2/24
	. . . Screw, 4BA, cheese head									
EB6.81.549	. . . CABLE, ASSEMBLY, F18							1	-	
EB7.81.461	. . . CABLE, ASSEMBLY, EW							1	-	
508-1-03442-003	. . . CAP, blanking							3	-	
Z11533	. . . CAPACITOR, 0.5 μ F, 250V							3	-	EB3/1
Z11533	. . . CAPACITOR, 0.25 μ F, 350V							2	-	EB3/2
EA2.81.795	. . . CARRIER, fuse 4 - way							1	-	EB3/3
	. . . Attaching parts for EA2.81.795 :-									
AGS2001A1	. . . Nut, 6BA							2	-	EB3/4
A32A12	. . . Screw, 6BA, round head							2	-	EB3/5
AS1900G	. . . CLIP, 'P'							2	-	EB3/6
	. . . Attaching parts for AS1900G :-									
A31B12	. . . Screw, 4BA, cheese head							1	-	EB3/7

ELECTRICAL
ELECTRICAL EQUIPMENT IN FRONT FUSELAGE

Part Number	Description	No. Off	Mati. Spec.	Plate No.
EA6.81.355	. CLIP, capacitor	1	-	EB3/8
	Attaching parts for EA6.81.355 :-			
AGS2001B1	. Nut, 4BA	1	-	EB3/9
A31B16	. Screw, 4BA, cheese head	1	-	EB3/10
A32B16	. Screw, 4BA, round head	1	-	EB3/11
EG4.81.2075	. COVER, assembly	1	-	EB3/12
	Spares for :-			
EEAS117/1	. . . SCREW	8	-	EB3/13
EEAS28/2CU	. . . WASHER	16	-	EB3/14
EEAS42	. . . WASHER, leather	8	-	EB3/15
AS2639	. COVER, assembly	2	-	EB2/25
EA1.81.488	. DISC, blanking	3	-	EB3/16
	Attaching parts for EA1.81.488 :-			
508-2-07657-003	. Nut, union	1	-	EB3/17
508-2-07708-200	. Ring, sealing	1	-	EB3/18
10H1047920	. FUSE, dummy	4	-	
10H21797	. FUSE, type S, 2.5 amp	2	-	
2Z84912A	. GASKET, plug	1	-	EB3/19
HV2420A	. GROMMET, dummy	1	-	EB3/37
EA6.81.199	. LINK	1	-	
EEAS71/1	. LINK, 2 - way	2	-	
703-2-00251	. LINK, 2 - way	16	-	
703-2-00257	. LINK, 8 - way	1	-	
703-2-00259	. LINK, 10 - way	1	-	
703-2-00252	. LINK, 3 - way	-	-	
EA6.81.227	. MOUNTING, fuse block	2	-	EB2/26
EA6.81.221	. MOUNTING, relay	4	-	EB2/27
	Attaching parts for EA6.81.221 :-			
A31B12	. Screw, 4BA, cheese head	3	-	EB2/28
AGS2035B	. Washer, spring	3	-	EB2/29
EA2.81.721	. MOUNTING, relay	2	-	EB2/30
	Attaching parts for EA2.81.721 :-			
A31B12	. Screw, 4BA, cheese head	2	-	EB2/31
EA6.81.225	. MOUNTING, transformer	1	-	EB2/32
	Attaching parts for EA6.81.225 :-			
A31A8	. Screw, 6BA, cheese head	4	-	EB2/33
AGS2035A	. Washer, spring	4	-	EB2/34
EA6.81.229	. PILLAR, mounting	12	-	EB2/35
EA3.81.247	. PLATE, blanking	1	-	EB3/20
	Attaching parts for EA3.81.247 :-			
AGS2001A1	. Nut, 6BA	4	-	EB3/21
A31A12	. Screw, 6BA, cheese head	4	-	EB3/22
EB6.81.3633	. PLATE, blanking	1	-	EB3/23
	Attaching parts for EB6.81.3633 :-			
AGS2001A1	. Nut, 6BA	4	-	EB3/24
A32A8	. Screw, 6BA, cheese head	4	-	EB3/25
EB6.81.3631	. PLATE, blanking	1	-	EB3/26
EB7.81.359	. PLATE, terminal block mounting	1	-	EB2/36
	Attaching parts for EB7.81.359 :-			
A32A12	. Screw, 6BA, round head	6	-	EB2/37
AGS2035A	. Washer, spring	6	-	EB2/38

ELECTRICAL

ELECTRICAL EQUIPMENT IN FRONT FUSELAGE

Part Number	Description						No. Off	Matl. Spec.	Plate No.
	1	2	3	4	5	6			
PLESSEY									
508-1-06413	12	-	EB3/28
508-1-06394	2	-	EB3/29
508-1-40076-320	1	-	EB3/30
508-1-06410	2	-	EB3/31
508-1-06406	1	-	EB3/32
EL34333	2	-	EB2/47
EL34331	4	-	EB2/46
EG4.81.2077	1	-	EB2/39
508-2-11232-002	QR	-	
508-2-11231-002	QR	-	
EEAS146/12	QR	-	
EEAS146/6	QR	-	
EEAS146/16	QR	-	
-	QR	-	
-	QR	-	
508-1-40041-320	1	-	EB3/34
508-1-40041-321	1	-	EB3/36
AS2640	6	-	EB2/25A
NY18007A	QR	-	
NY3255	QR	-	
EB7.81.347	9	-	EB2/40
A31B28	2	-	EB2/41
HC304	QR	-	
HC400	QR	-	
HC510	QR	-	
HC490	QR	-	
SMITHS			
213MV	2	-	EB2/42
			
AGS2001B1	4	-	EB2/43
A31B12	4	-	EB2/44
EEAS43/1	3	-	
EEAS43/3	1	-	
			
A25/1C	4	-	EB2/45
EG4.81.3073	-	-	EB4/1
			
EB6.81.5699	1	-	EB4/2
			
703-1-00416	1	-	EB4/3
EB6.81.5701	1	-	EB4/4
EG4.81.3077	1	-	EB4/5
			
703-1-00416	1	-	EB4/6
EG4.81.3079	1	-	EB4/7
EG4.81.3081	1	-	EB4/8
			
703-1-00416	1	-	EB4/9
EG4.81.3083	1	-	EB4/10

ELECTRICAL

ELECTRICAL EQUIPMENT IN FRONT FUSELAGE

Part Number	Description	No. Off	Mtl. Spec.	Plate No.
EG4.81.3085	. . . BLOCK, FUSE, ASSEMBLY Spares for:—	1	—	EB4/11
703-1-00416 BLOCK, fuse, 4-way	1	—	EB4/12
EG4.81.3117 LABEL	1	—	EB4/13
EG4.81.3087	. . . BLOCK, FUSE, ASSEMBLY Spares for:—	1	—	EB4/14
703-1-00416 BLOCK, fuse, 4-way	1	—	EB4/15
EG4.81.3119 LABEL	1	—	EB4/16
EG4.81.3089	. . . BLOCK, FUSE, ASSEMBLY Spares for:—	1	—	EB4/17
703-1-00416 BLOCK, fuse, 4-way	1	—	EB4/18
EG4.81.3091 LABEL Attaching parts for EB6.81.5699, EG4.81.3077, EG4.81.3081, EG4.81.3085, EG4.81.3087 and EG4.81.3089:—	1	—	EB4/19
A32B12	. . . Screw, 4BA, round head	2	—	EB4/20
SP47B	. . . Washer, 4BA, spring	2	—	EB4/21
EG4.81.3075	. . . COVER, ASSEMBLY Spares for:—	1	—	EB4/22
EA1.81.542 CARRIER, spare fuse	1	—	EB4/23
EA3.81.1259 CLIP, spring	4	—	EB4/24
EEAS117/1 SCREW, 4BA	4	S92	EB4/25
EEAS28/2CU WASHER	8	—	EB4/26
EEAS42 WASHER	4	Leather	EB4/27
EA3.81.487	. . . DISC, blanking	2	—	EB4/28
EA3.81.488	. . . DISC, blanking	1	—	EB4/29
AS2.5	. . . FUSE, H.R.C., 2.5 amp	10	—	
AS5	. . . FUSE, H.R.C., 5 amp	2	—	
102096	. . . FUSE, dummy	12	—	
EG4.81.953	. . . GLAND, assembly	1	—	EB4/51
EEAS62/2	. . . GLAND	7	—	EB4/30
EEAS62/3	. . . GLAND	2	—	EB4/31
EEAS71/1	. . . LINK, commoning	3	—	
EEAS71/2	. . . LINK, commoning	2	—	
EEAS71/3	. . . LINK, commoning	2	—	
PLESSEY				
508-2-07657-003	. . . NUT, union	1	—	EB4/32
10H/0970127	. . . NUT, union	2	—	EB4/33
EG4.81.963	. . . PLATE, insulating	1	—	EB4/34
EG4.81.957	. . . SHELL, fuse box	1	—	EB4/35
EEAS146/20	. . . SLEEVE, ³ / ₄ " LONG	8	—	
HC490	. . . TAG	8	—	
EG4.81.965	. . . TERMINAL, ASSEMBLY Spares for:—	1	—	EB4/36
EG4.81.967 BLOCK, insulating	1	—	EB4/37
EG4.81.951 LINK, connecting	1	—	EB4/38
AGS2002B4 NUT, 4BA	2	—	EB4/39
A54B NUT, 4BA	2	—	EB4/40
A45B32 SCREW, 4BA	2	—	EB4/41
SP25B WASHER, 4BA	4	—	EB4/42
EG4.81.947	. . . TERMINAL, DOUBLE EARTH, ASSEMBLY Spares for:—	1	—	EB4/43
EG4.81.949 BLOCK, insulating	1	—	EB4/44
EG4.81.951 LINK, connecting	1	—	EB4/45
AGS2002B4 NUT, 4BA	4	—	EB4/46
A54B NUT, 4BA	2	—	EB4/47
EEAS144 STUD, terminal	2	—	EB4/48
EEAS28/7EW WASHER	8	—	EB4/49
A31C16 Screw, cheese head 2BA Attaching parts for EG4.81.3073:—	4	—	EB4/50

ELECTRICAL

ELECTRICAL EQUIPMENT IN FRONT FUSELAGE

Part Number	Description	No. Off	Matl. Spec.	Plate No.					
				1	2	3	4	5	6
EG4.81.2983	. BOX, JUNCTION, No. 13, ASSEMBLY Spares for:—	1	—						EB5/1
PLESSEY 703-1-00249	. . BLOCK, terminal, 20-way Attaching parts for 703-1-00249:—	1	—						EB5/2
A43B24	. . Screw, 4BA, cheese head	2	—						EB5/3
EA1.81.589	. . BOX, junction, shell	1	—						EB5/4
EB7.81.361	. . COVER, ASSEMBLY Spares for:—	1	—						EB5/5
EEAS117/1	. . . SCREW	4	S92						EB5/6
EEAS28/2CU	. . . WASHER	8	DTD124						EB5/7
EEAS42	. . . WASHER	4	—						EB5/8
PLESSEY 508-4-11290-004	. . GASKET	1	—						EB5/9
or 508-4-11290-004	. . GASKET	1	—						
PLESSEY 703-2-00253	. . LINK, connecting, 4-way	1	—						EB5/10
CZ24644	. . PLATE, ferrule, size 'C' Attaching parts for CZ24644:—	1	—						EB5/11
AGS2002A1	. . Nut, 6BA	4	—						EB5/12
A32A12	. . Screw, 6BA, round head	4	—						EB5/13
508-1-11778-004	. . RING, clamp	1	—						EB5/14
EEAS146C	. . SLEEVE, $\frac{3}{8}$ " long, yellow	16	—						
EEAS146/6	. . SLEEVE, $\frac{7}{8}$ " long Attaching parts for EG4.81.2983:—	1	—						
A25/1C	. Bolt, 2BA	4	—						EB5/15
EG4.81.2985	. BOX, JUNCTION, No. 14, ASSEMBLY Spares for:—	1	—						EB6/1
EEAS281/1D	. . ADAPTOR, outlet Attaching parts for EEAS281/1D:—	1	—						EB6/2
AGS2002A1	. . Nut, stiff, 6BA	4	—						EB6/3
A32A12	. . Screw, 6BA	4	—						EB6/4
SP13A	. . Washer	4	—						EB6/5
PLESSEY 703-1-00249	. . BLOCK, terminal, 20-way Attaching parts for 703-1-00249:—	2	—						EB6/6
A43B24	. . Screw, 4BA, cheese head	2	—						EB6/7
EB6.81.1517	. . BOX, junction, 40-way	1	—						EB6/8
508-1-07780-003	. . CLAMP, cable	1	—						EB6/9
EB6.81.427	. . COVER, ASSEMBLY Spares for:—	1	—						EB6/10
EA3.81.1259	. . . CLIP, spring	6	—						EB6/11
EEAS117/1	. . . SCREW	6	S92						EB6/12
EEAS28/2CU	. . . WASHER	12	DTD124						EB6/13
EEAS42	. . . WASHER	6	Leather						EB6/14
PLESSEY 508-4-11290-006	. . GASKET, size D	1	—						EB6/15
508-4-11290-004	. . GASKET, size C	2	—						EB6/16
Z22634	. . GROMMET, dummy	6	—						EB6/17
703-2-00257	. . LINK, connecting, 8-way	1	—						EB6/31
703-2-00251	. . LINK, connecting, 2-way	4	—						EB6/32

ELECTRICAL

ELECTRICAL EQUIPMENT IN FRONT FUSELAGE

Part Number	Description	No. Off	Mati. Spec.	Plate No.
EA1.81.461	. . . PLATE, blanking Attaching parts for EA1.81.461:--	1	—	EB6/18
AGS2002A1	. . . Nut, 6BA	4	—	EB6/19
A32A12	. . . Screw, 6BA, round head	4	—	EB6/20
SP13A	. . . Washer	4	—	EB6/21
EA1.81.463	. . . PLATE, blanking Attaching parts for EA1.81.463:--	—	—	EB6/22
AGS2002A1	. . . Nut, 6BA	4	—	EB6/23
A32A12	. . . Screw, 6BA, round head	4	—	EB6/24
SP13A	. . . Washer	4	—	EB6/25
EG4.81.1805	. . . PLATE, blanking Attaching parts for EG4.81.1805:--	1	—	EB6/26
AGS2002A1	. . . Nut, stiff, 6BA	4	—	EB6/27
A32A12	. . . Screw, 6BA	4	—	EB6/28
SP13A	. . . Washer	4	—	EB6/29
MAM RUBBER	. . . SLEEVE, 3 mm, grade CXH, $\frac{3}{8}$ " long Attaching parts for EG4.81.2985:--	QR	—	
A25/1C	. Bolt, 2BA	4	—	EB6/30
EG4.81.3125	. BOX, JUNCTION No. 16, INSTALLATION Spares for:--	—	—	
EB7.81.297	. . . ANGLE	1	—	EB7/1
EG4.81.3123	. . . BOX, JUNCTION, No. 16, ASSEMBLY Spares for:--	1	—	EB7/2
703-1-00249	. . . BLOCK, terminal, 20-way Attaching parts for 703-1-00249:--	2	—	EB7/3
AGS2001B1	. . . Nut, 4BA	2	—	EB7/4
A31B28	. . . Screw, 4BA, cheese head	2	—	EB7/5
EB6.81.4093	. . . BOX, JUNCTION, ASSEMBLY Spares for:--	1	—	EB7/6
EB7.81.89 PANEL, access Attaching parts for EB7.81.89:--	1	—	EB7/7
A31B16 Screw, 4BA, cheese head	6	—	EB7/8
EB7.81.87 SEAL, panel access	1	—	EB7/9
HELSYN GROMMET, dummy	5	—	EB7/10
Z22634 LID, ASSEMBLY	1	—	EB7/11
EB7.81.79 Spares for:--			
EA3.81.1259 CLIP, spring	6	—	EB7/12
EEAS117/1 SCREW, cover	6	S92	EB7/13
EEAS28/2CU WASHER	12	DTD124	EB7/14
EEAS42 WASHER	6	Leather	EB7/15
PLESSEY				
703-2-00251 LINK, commoning, 2-way	1	—	
703-2-00260 LINK, commoning, traverse	1	—	
703-2-00259 LINK, commoning, 10-way	1	—	
703-2-00253 LINK, commoning, 4-way	1	—	
508-1-06413 PLUG, size D	6	—	EB7/16
508-1-40069-320 PLUG, Mk. 4, 12-way	2	—	EB7/17
508-1-40076-320 PLUG, Mk. 4, 25-way	6	—	EB7/18
508-1-40060-320 PLUG, Mk. 4, 2-way	1	—	EB7/19

R
R

ELECTRICAL
ELECTRICAL EQUIPMENT IN FRONT FUSELAGE

Part Number	Description						No. Off	Matl. Spec.	Plate No.
	1	2	3	4	5	6			
508-2-11231-002	QR	-	
508-2-11232-002	QR	-	
EEAS146/00	QR	-	
EEAS146/10	QR	-	
EEAS146/12	QR	-	
EEAS146/12	QR	-	
EEAS146/16	QR	-	
EEAS146/20	QR	-	
D2363	1	-	EB7/20
A25/2B	2	-	EB7/21
AGS2001B1	2	-	EB7/22
HELLERMANN			
HC510	QR	-	
HC500	QR	-	
HC490	QR	-	
EEAS43/3	6	-	EB7/23
EEAS43/2	2	-	EB7/24
EEAS43/1	1	-	EB7/25
EB7.81.99	2	-	EB7/26
A31B12	6	-	EB7/27
EB7.81.69	1	-	EB7/28
EG4.81.1187	1	-	EB8/1
A25/1C	4	-	EB8/2
AGS2001C1/66	4	-	EB8/3
SP15C	4	-	EB8/4
EB6.81.5291	-	-	EB8/5
EB6.81.5289	1	L72	EB8/6
A25/2C	1	-	EB8/7
AGS2001B1	4	-	EB8/8
AGS2001C1/66	1	-	EB8/9
EB6.81.1077	1	-	EB8/10
A32B16	4	-	EB8/11
SP13B	4	-	EB8/12
SP13C	1	-	EB8/13
416125/14	1	-	
416125/20	1	-	EB8/14
EG4.81.2687	-	-	EB22/1
EA2.81.841	1	-	EB22/2
A25/1/8	1	-	EB22/3
SP124B	1	-	EB22/4
EEAS136	1	-	EB22/5
AS3181/8C	1	-	EB22/6
A25/2C	1	-	EB22/7
EEAS237/7A	1	-	EB22/8

R

ELECTRICAL
ELECTRICAL EQUIPMENT IN FRONT FUSELAGE

Part Number	Description	No. Off	Matl. Spec.	Plate No.
AS3181/3B	. . CLIP	4	-	EB22/9
AS3181/4B	. . CLIP	7	-	EB22/10
AS3181/8B	. . CLIP	9	-	EB22/11
	Attaching parts for AS3181/3B, AS3181/4B and AS3181/8B :-			
A25/1B	. . Bolt, 4BA	QR	-	EB22/12
AGS2001B1	. . Nut, stiff, 4BA	QR	-	EB22/13
SP125B	. . Washer	QR	-	EB22/14
EEAS237/6A	. . Washer, 'D'	QR	-	EB22/15
EEAS238/1A	. . Washer, 'D'	QR	-	EB22/16
HELLERMANN				
HV3254	. . STRAPPING	QR	-	EB22/17
OP3255	. . STUD	QR	-	EB22/18
506-1-07360	. CONTROLLER, type 34, windscreen heater	1	-	EB8/15
	Attaching parts for 506-1-07360 :-			
AS1246/1B	. Bolt, 4BA	4	-	EB8/16
AGS2001B1	. Nut, 4BA	4	-	EB8/17
SP15B	. Washer	4	-	EB8/18
6A/4332835	. COMPENSATOR, voltage, type A	1	-	EB8/19
	Attaching parts for 6A/4332835:-			
AS1246/1C	. Bolt, 2BA, round head	3	-	EB8/20
EA3.81.2245	. COVER, torque, switch	1	-	EB8/21
	Attaching parts for EA3.81.2245 :-			
AGS2001B1	. Nut, 4BA	4	-	EB8/22
A31B16	. Screw, 4BA, cheese head	4	-	EB8/23
R EA4.81.647	. EARTH POINT, ACCUMULATOR, ASSEMBLY	1	-	EB8/37
	Spares for :-			
A25/2E	. . BOLT, 1/2" BSF	2	-	EB8/38
AGS2001E1-66	. . NUT, stiff, 1/2" BSF	2	-	EB8/39
EEAS28/22EP	. . WASHER	4	-	EB8/40
R EA9.81.10869	. EARTH POINT, E.80, GROUND SERVICE IN STARBOARD HATCH, INSTALLATION	1	-	EB8/24
	Spares for :-			
EA9.81.10865	. . BOLT, 5/16" UNF	1	S96	EB8/25
EA9.81.10867	. . LABEL, engraved	1	L72	EB8/26
A103GT	. . NUT, 5/16" UNF	2	-	EB8/27
AGS3413G	. . NUT, wing, 5/16" UNF	1	-	EB8/28
SP90C5	. . PIN, split	1	-	EB8/29
EEAS28/31ERH	. . WASHER	1	-	EB8/30
SP55G	. . WASHER, spring 5/16"	1	-	EB8/31
SP126G	. . WASHER, 5/16"	1	-	EB8/32
STANDARD INSULATOR				
SIC.664.4133	. GROMMET	1	-	EB8/33
EG4.81.2861	. INVERTER BAY LAYOUT	-	-	EB9/1
	Spares for :-			
EB6.81.1033	. . ANGLE, foot	1	-	EB10/1
	Attaching parts for EB6.81.1033 :-			
A25/3E	. . Bolt, 1/2" BSF	2	-	EB10/2
AGS2001E1/66	. . Nut, stiff, 1/2" BSF	1	-	EB10/3
SP10E	. . Washer, facing	2	-	EB10/4

ELECTRICAL
ELECTRICAL EQUIPMENT IN FRONT FUSELAGE

Part Number	Description	No. Off	Matl. Spec.	Plate No.
EB6.81.1231	. . . ANGLE, foot Attaching parts for EB6.81.1231 :-	1	-	EB10/5
A25/3E	. . . Bolt, 1/4" BSF	2	-	EB10/6
AGS2001E1/66	. . . Nut, 1/4" BSF	2	-	EB10/7
SP10E	. . . Washer, 1/4"	2	-	EB10/8
EB6.81.1083	. . . ANGLE, mounting Attaching parts for EB6.81.1083 :-	1	-	EB9/2
A25/1C	. . . Bolt, 2BA	3	-	EB9/3
AGS2001C1/66	. . . Nut, 2BA	2	-	EB9/4
SP10C	. . . Washer, 2BA	2	-	EB9/4A
SP15C	. . . Washer, 2BA	1	-	EB9/4B
EB6.81.1063	. . . ANGLE, reinforcing	1	-	EB10/9
EB6.81.1064	. . . ANGLE, reinforcing	1	-	EB10/10
EG4.81.867	. . . BLOCK, FUSE, ASSEMBLY (SRIM.3533) Spares for :-	1	-	EB9/5
EB6.81.1049 BASE, fuse block	1	-	EB9/6
EB6.81.1043 BOLT	2	-	EB9/7
AS4565/7C BOLT, 2BA	2	-	EB9/8
EB6.81.1045 COVER, sub-assembly	1	-	EB9/9
EB6.81.1047 END, fuse block	2	-	EB9/10
A14GB NUT, 5/16" BSF	2	-	EB9/11
AGS2002G/4 NUT, 5/16" BSF	2	-	EB9/12
A33B16 SCREW, 4BA	2	-	EB9/13
A41B16 SCREW, 4BA	2	-	EB9/14
A41B20 SCREW, 4BA	2	-	EB9/15
AS2721 WASHER, contact	5	-	EB9/16
A25/3C	. . . Attaching parts for EG4.81.867 :- Bolt, 2BA	2	-	EB9/17
SP15C	. . . Washer, 2BA	2	-	EB9/18
EB6.81.1073	. . . BRACKET	2	-	EB9/19
EB6.81.1074	. . . BRACKET	2	-	EB9/20
A25/2C	. . . Attaching parts for EB6.81.1073 and EB6.81.1074 :- Bolt, 2BA	4	-	EB9/21
AGS2001C1/66	. . . Nut, 2BA	4	-	EB9/22
SP16C	. . . Washer, 2BA	4	-	EB9/23
EB6.81.1029	. . . CHANNEL, assembly	1	-	EB9/24
SCB76943/1	. . . CHANNEL (SRIM.3533)	1	-	EB10/11
SCB76943/2	. . . CHANNEL (SRIM.3533)	1	-	EB10/12
A25/3C	. . . Attaching parts for SCB76943/1 and SCB76943/2 :- Bolt, 2BA	9	-	EB10/13
AGS2001C1/66	. . . Nut, stiff, 2BA	8	-	EB10/14
SCD76956/6	. . . Washer, contour (SRIM.3533)	8	-	EB10/15
R SP91L	. . . CLIP, hose	2	-	EB10/16
R SP91M	. . . CLIP, hose	2	-	EB10/17
SP91L	. . . CLIP, hose	1	-	EB10/18
R SCB76958	. . . CONNECTION (SRIM.3533)	1	-	EB10/19
R 10H24028	. . . FUSE, H.R.C. 115 amp	1	-	EB9/25
R EB6.81.1003	. . . GUSSET	1	-	EB9/26
R 5UB4342693	. . . INVERTER, type 103A Attaching parts for 5UB4342693:-	1	-	EB10/20
AS1242/6G	. . . Bolt, 5/16" BSF	4	-	EB10/21
AGS2001G1	. . . Nut, 5/16" BSF	4	-	EB10/22
SP15G	. . . Washer, 5/16"	4	-	EB10/23

ELECTRICAL
ELECTRICAL EQUIPMENT IN FRONT FUSELAGE

Part Number	Description	No. Off	Mati. Spec.	Plate No.	1 2 3 4 5 6					
					1	2	3	4	5	6
5UB4938	. . . INVERTER, type 100A	1	-	EB10/24						
5UB4357518	. . . INVERTER, type 108 (SCRIM.3533) Attaching parts for Ref. 5UB/4357518 :-	1	-	EB10/25						
A25/4G	. . . Bolt, 5/16" BSF	4	-	EB10/26						
SP13G	. . . Washer	4	-	EB10/27						
EB6.81.1013	. . . LINK, M1	1	-	EB9/27						
5UC6369631	. . . PANEL, control, type 12 Attaching parts for 5UC/6369631 :-	1	-	EB9/28						
AS1242/3E	. . . Bolt, 1/4" BSF	4	-	EB9/29						
AGS2001E1/66	. . . Nut, 1/4" BSF	4	-	EB9/30						
SP15E	. . . Washer, 1/4"	4	-	EB9/31						
EB6.81.1035	. . . PLATE	1	-	EB9/32						
EB6.81.1059	. . . PLATE, mounting, assembly	1	-	EB9/33						
EB6.81.1037	. . . PLATE, MOUNTING, assembly Spares for :-	1	-	EB9/34						
EA3.81.2885	. . . PIN, locating Attaching parts for EA3.81.2885 :-	2	-	EB9/35						
AGS2001E1/66	. . . Nut, 1/4" BSF	2	-	EB9/36						
SP13E	. . . Washer, 1/4"	2	-	EB9/37						
EB6.81.1039	. . . PLATE, mounting	1	-	EB9/38						
5CW4405591	. . . RELAY, type 1 Attaching parts for 5CW/4405591 :-	1	-	EB9/39						
A25/3C	. . . Bolt, 2BA	2	-	EB9/40						
SP15C	. . . Washer	2	-	EB9/41						
EB6.74.87	. . . SLEEVE, connecting	1	-	EB10/28						
EB6.74.89	. . . SLEEVE, connecting	1	-	EB10/29						
U2005 - 1	. . . SWITCH, magnetic starting, type 1A, No. 5 Attaching parts for U2005 - 1 :-	1	-	EB9/42						
A25/1C	. . . Bolt, 2BA	2	-	EB9/43						
or A25/10C	. . . Bolt, 2BA	2	-							
SP15C	. . . Washer, 2BA	2	-	EB9/44						
EB6.81.5275	. . . INVERTER, TYPE 103A, INSTALLATION Spares for :-	-	-	EB23/1						
EB6.81.5269	. . . ANGLE	1	-	EB23/2						
EB6.81.5271	. . . ANGLE Attaching parts for EB6.81.5269 and EB6.81.5271 :-	1	-	EB23/3						
A25/1C	. . . Bolt, 2BA	2	-	EB23/3A						
AGS2001C1	. . . Nut, stiff, 2BA	2	-	EB23/3B						
SP13C	. . . Washer, plain	2	-	EB23/3C						
EB6.81.3415	. . . BOX, RELAY, ASSEMBLY Spares for :-	1	-	EB23/4						
EB6.81.4141	. . . BLOCK, FUSE, ASSEMBLY Spares for :-	1	-	EB23/5						
703-1-00416	. . . BLOCK, fuse	1	-	EB23/6						
EB6.81.4143	. . . LABEL Attaching parts for EB6.81.4141:-	1	-	EB23/7						
A32B10	. . . Screw, 4BA	2	-	EB23/8						
AGS2035B	. . . Washer, shakeproof	2	-	EB23/9						
EB6.81.3423	. . . CHANNEL, mounting Attaching parts for EB6.81.3423:-	1	-	EB23/10						
A32B14	. . . Screw, 4BA	4	-	EB23/11						
SP13B	. . . Washer	4	-	EB23/12						

ELECTRICAL

ELECTRICAL EQUIPMENT IN FRONT FUSELAGE

Part Number	Description	No. Off	Matl. Spec.	Plate No.
R 10H/1094061	. . . FUSE, 7.5 amp, type AS	3	-	EB23/22
EB6.81.3421	. . . LID, assembly	1	-	EB23/13
	Attaching parts for EB6.81.3421:-			
A32C16	. . . Screw, 2BA	4	-	EB23/14
508/1/40061/320	. . . PLUG	1	-	EB23/15
CZ48993/5	. . . PLUG	1	-	EB23/16
7CZ107791	. . . RELAY, assembly	1	-	EB23/17
	Attaching parts for 7CZ107791:-			
A33B14	. . . Screw, 4BA	2	-	EB23/18
EB6.81.3417	. . . SHELL, box sub-assembly	1	-	EB23/19
EEAS146/0	. . . SLEEVE, insulating, 3/4" long	23	-	
7CZ107794	. . . SOCKET, assembly	1	-	EB23/20
CZ49219	. . . SOCKET	1	-	EB23/21
HC490	. . . TAG	6	-	
	Attaching parts for EB6.81.3415:-			
A25/2C	. . Bolt, 2BA	4	-	EB23/23
SP13C	. . Washer	4	-	EB23/24
EB6.81.5267	. . BRACKET, inverter mounting assembly	1	-	EB23/25
EB6.81.4391	. . CLIP, bonding	5	-	EB23/26
EB6.81.4419	. . CLIP, bonding	1	-	EB23/27
SP91L	. . CLIP, hose	6	-	EB23/28
EB7.57.181	. . HOSE, rubber	3	-	EB23/29
5UB/4342693	. . INVERTER, type 103A	1	-	EB23/30
	Attaching parts for 5UB/4342693:-			
A25/5G	. . Bolt, 7/16" BSF	4	-	EB23/31
SP13G	. . Washer	4	-	EB23/32
AS3360B48	. . LEAD, bonding	3	-	EB23/33
	Attaching parts for AS3360B48:-			
A25/1B	. . Bolt, 4BA	2	-	EB23/34
AGS2001B1	. . Nut, stiff, 4BA	2	-	EB23/35
SP13B	. . Washer	2	-	EB23/36
EB6.81.3021	. . PIPE, assembly	1	-	EB23/37
EB6.81.5589	. . PIPE, assembly	1	-	EB23/38
EB6.81.3049	. . PLATE, packing	1	-	EB23/39
EB6.81.3065	. . SCOOP, assembly	1	-	EB23/40
EB6.81.5273	. . STRIP, reinforcing	1	-	EB23/41
EG4.81.2885	. INVERTER, TYPE 108, UPPER EQUIPMENT	-	-	EB23/42
	BAY, INSTALLATION			
	Spares for:-			
R SCB79234	. . ADAPTOR, hose (SRIM.3533)	1	-	EB23/43
SCB79245/1	. . BRACKET (SRIM.3533)	1	-	EB23/44
	Attaching parts for SCB79245/1:-			
AGS2001C1/66	. . Nut, stiff, 2BA	4	-	EB23/45
A31C20	. . Screw, 2BA	4	-	EB23/46
SP13C	. . Washer	4	-	EB23/47
SCB79245/2	. . CLAMP (SRIM.3533)	1	-	EB23/48
R SP91J	. . CLIP, hose, type J, Mk. 2 (SRIM.3533)	2	-	EB23/49
BESTOBELL				
†	. . HOSE, 1 1/4" i/d, flexible, type D	1	-	EB23/50
5UB/4357518	. . INVERTER, type 108	1	-	EB23/51
	Attaching parts for Ref.5UB/4357518:-			
A25/7G	. . Bolt, 3/8" BSF	4	-	EB23/52
SP13G	. . Washer	4	-	EB23/53

ELECTRICAL

ELECTRICAL EQUIPMENT IN FRONT FUSELAGE

Part Number	Description	No. Off	Mati. Spec.	Plate No.
EG4.81.2833	. LOOMS, CABLE, ASSEMBLY Spares for:-	-	-	
SCA78015/29	. . CABLE, ASSEMBLY, from electrical control panel to high frequency distribution box (SRIM.3533)	1	-	
SCA78015/71	. . CABLE, ASSEMBLY, from electrical control panel to Decca power unit (SRIM.3533)	1	-	
SCA78015/86	. . CABLE, ASSEMBLY, from electrical control panel to I.F.F. connection on pressure bulkhead (SRIM.3533)	1	-	
SCA78015/92	. . CABLE, ASSEMBLY, from No. 5 inverter to No. 5 inverter control panel (SRIM.3533)	1	-	
SCA78015/93	. . CABLE, ASSEMBLY, from No. 5 inverter to No. 5 inverter control panel (SRIM.3533)	1	-	
SCA78015/94	. . CABLE, ASSEMBLY, from No. 6 inverter to No. 6 inverter control panel (SRIM.3533)	1	-	
SCA78015/95	. . CABLE, ASSEMBLY, from No. 6 inverter to No. 6 inverter control panel (SRIM.3533)	1	-	
SCA78015/151	. . CABLE, ASSEMBLY, from No. 5 inverter control panel to 1600 cycles distribution box (SRIM.3533)	1	-	
SCA78015/152	. . CABLE, ASSEMBLY, from No. 6 inverter control panel to 1600 cycles distribution box (SRIM.3533)	1	-	
SCA78015/153	. . CABLE, ASSEMBLY, from No. 5 inverter control panel to 1600 cycles distribution box (SRIM.3533)	1	-	
SCA78015/154	. . CABLE, ASSEMBLY, from No. 6 inverter control panel to 1600 cycles distribution box (SRIM.3533)	1	-	
EB6.81.2961	. . CABLE, ASSEMBLY, EB, from magnetic starter switch to earth	1	-	
EG4.81.929	. . CABLE, ASSEMBLY, E14, from 400 cycles fuse box to earth (Pre-Mod 5100)	1	-	
EG4.81.3203	. . CABLE, ASSEMBLY, E14 (Alt. R60/68-Mod 5100)	1	-	
EB6.81.4287	. . CABLE, ASSEMBLY, E25, from electrical control panel to earth	1	-	
EA3.81.852/1	. . CABLE, ASSEMBLY, E28, from D.C. distribution box to earth (Pre-Mod 5100)	1	-	
EA3.81.6215	. . CABLE, ASSEMBLY, E28 (Alt. R60/68-Mod 5100)	2	-	
EA3.81.853/1	. . CABLE, ASSEMBLY, E29, from 1600 cycles distribution box to earth (Pre-Mod 5100)	1	-	
EA3.81.6217	. . CABLE, ASSEMBLY, E29 (Alt. R60/68-Mod 5100)	2	-	
EB6.81.2963	. . CABLE, ASSEMBLY, E34, from No. 8 inverter to earth	1	-	
EA3.81.1969	. . CABLE, ASSEMBLY, E34, from No. 4 inverter to earth (Pre-Mod 5195)	1	-	
EB6.81.1155	. . CABLE, ASSEMBLY, E100A, from No. 2 inverter control panel to earth	1	-	
EB6.81.1167	. . CABLE, ASSEMBLY, E103, from No. 1 inverter to earth	1	-	
EB6.81.10439/2	. . CABLE, ASSEMBLY, F24, from D.C. distribution box to main electrical panel	1	-	
EB6.81.2847	. . CABLE, ASSEMBLY, F41, from 400 cycles distribution box to torque switch	1	-	
EB6.81.1867	. . CABLE, ASSEMBLY, F42, from 400 cycles distribution box to torque switch	1	-	

ELECTRICAL
ELECTRICAL EQUIPMENT IN FRONT FUSELAGE

Part Number	Description	No. Off	Mati. Spec.	Plate No.
EA3.81.669/1	. . CABLE, ASSEMBLY, F44, from D.C. distribution box to undercarriage switch terminal block	1	-	
EA3.81.670/1	. . CABLE, ASSEMBLY, F45, from D.C. distribution box to pyrometer voltage controller	1	-	
EB6.81.4063	. . CABLE, ASSEMBLY, F46, from main electrical panel to port and starboard inertia switches	1	-	
EB7.81.1235/2	. . CABLE, ASSEMBLY, F49, from main electrical panel to pressure bulkhead connection	1	-	
EB6.81.1159/2	. . CABLE, ASSEMBLY, F52, from D.C. distribution box to No. 2 inverter control panel, magnetic starter switch relay and main electrical panel	1	-	
EB6.81.1161	. . CABLE, ASSEMBLY, F52C, from No. 1 inverter to No. 1 inverter control panel	1	-	
EA3.81.2931/2	. . CABLE, ASSEMBLY, F52E, from No. 2 inverter to No. 2 inverter control panel	1	-	
EA3.81.689/1	. . CABLE, ASSEMBLY, F54, from No. 4 inverter to D.C. distribution box (Pre-Mod 5195)	1	-	
EB6.81.1163/2	. . CABLE, ASSEMBLY, F57, from No. 2 inverter control panel to 400 cycles distribution box	1	-	
EB6.81.1153/2	. . CABLE, ASSEMBLY, F58, from No. 1 inverter to 400 cycles distribution box	1	-	
EB6.81.1129	. . CABLE, ASSEMBLY, F68, from D.C. distribution box to voltage regulator terminal block	1	-	
EB6.81.1133	. . CABLE, ASSEMBLY, F68A, from terminal block to voltage regulator	1	-	
EB6.81.563/2	. . CABLE, ASSEMBLY, F72, from D.C. distribution box to pressure bulkhead connection	1	-	
EA3.81.679/1	. . CABLE, ASSEMBLY, F83, from D.C. distribution box to suppressor (Pre-Mod 5195)	1	-	
EA3.81.682/1	. . CABLE, ASSEMBLY, F83A, from 1600 cycles distribution box to suppressor	1	-	
EA3.81.683	. . CABLE, ASSEMBLY, F88, from 1600 cycles distribution box to Rebecca T/R unit (Pre-Mod 5195)	1	-	
EA3.81.685	. . CABLE, ASSEMBLY, F90, from 1600 cycles distribution box to Rebecca T/R unit (Pre-Mod 5195)	1	-	
EA3.81.811/1	. . CABLE, ASSEMBLY, F92, from 1600 cycles distribution box to 500 volts transformer (Pre-Mod 5195)	1	-	
EA3.81.2561	. . CABLE, ASSEMBLY, F93, from 1600 cycles distribution box to Tacan T/R unit	1	-	
EB6.81.2947	. . CABLE, ASSEMBLY, F131, from main electrical panel to magnetic starter switch relay	1	-	
EB6.81.2949	. . CABLE, ASSEMBLY, F132, from relay to magnetic starter switch	1	-	
EB6.81.2951	. . CABLE, ASSEMBLY, F133, from No. 8 inverter to magnetic starter switch	1	-	
EB6.81.2953	. . CABLE, ASSEMBLY, F134, from No. 8 inverter to fuse relay box	1	-	
EB6.81.2955	. . CABLE, ASSEMBLY, F135, from No. 8 inverter control panel to fuse relay box	1	-	

ELECTRICAL
ELECTRICAL EQUIPMENT IN FRONT FUSELAGE

Part Number	Description	No. Off	Matl. Spec.	Plate No.
EB6.81.2957	. . CABLE, ASSEMBLY, F136, from No. 8 inverter control panel to No. 8 inverter	1	-	
EB6.81.2959	. . CABLE, ASSEMBLY, F137, from No. 8 inverter control panel to type 15 control panel	1	-	
EB6.81.3629	. . CABLE, ASSEMBLY, F157, from main electrical electrical panel to pressure bulkhead connection	1	-	
EB6.81.3373	. . CABLE, ASSEMBLY, F160, from No. 8 inverter and fuse relay box to D.C. distribution box	1	-	
EG4.81.2093	. . CABLE, ASSEMBLY, F170, from 400 cycles fuse box to windscreen heater control box	1	-	
EG4.81.2691	. . CABLE, ASSEMBLY, F567, from P.E.C. transducer and 1600 cycles distribution box to pressure bulkhead connection	1	-	
EB6.81.1165	. . CABLE, ASSEMBLY, M11, from magnetic starter switch to magnetic starter switch relay	1	-	
EB6.81.3945	. . CABLE, ASSEMBLY, M12 and M82, both from No. 1 inverter M12 to magnetic starter switch M82 to magnetic starter switch relay	1	-	
EB6.81.1157	. . CABLE, ASSEMBLY, M13, magnetic starter switch loop	1	-	
EB6.81.3003	. . CABLE, ASSEMBLY, M83, magnetic starter switch loop	1	-	
EB6.81.10047	. . CABLE, ASSEMBLY, N51, from electrical control panel to starboard instrument panel	1	-	
EA3.81.2537/2	. . CABLE, ASSEMBLY, N52, from starboard instrument panel to pressure bulkhead connection	1	-	
EB6.81.4689	. . CABLE, ASSEMBLY, N2A, from junction box 14 to pressure bulkhead connection	1	-	
EB6.81.565/2	. . CABLE, ASSEMBLY, N5, from pilot's console to pressure bulkhead connection	1	-	
EB6.81.5437	. . CABLE, ASSEMBLY, N7X, from electrical control panel to pressure bulkhead connection	1	-	
EB6.81.5425	. . CABLE, ASSEMBLY, N8X, from electrical control panel to pressure bulkhead connection	1	-	
EG5.81.151	. . CABLE, ASSEMBLY, N13, from electrical control panel to junction box 13	1	-	
EG4.81.1845	. . CABLE, ASSEMBLY, N14, from electrical control panel to junction box 14	1	-	
EB6.81.3617	. . CABLE, ASSEMBLY, N16A, from electrical control panel to junction box 16	1	-	
EB6.81.4065	. . CABLE, ASSEMBLY, N16B, from electrical control panel to junction box 16	1	-	
EB6.81.5433	. . CABLE, ASSEMBLY, N16C, from electrical control panel to junction box 16	1	-	
EB7.81.457/2	. . CABLE, ASSEMBLY, N16D, N16E, N16F and N58, all from D.C. distribution box, N16D, N16E and N16F to junction box 16, N58 to take off panel	1	-	
EG4.81.931	. . CABLE, ASSEMBLY, N18, from 400 cycles fuse box to pressure bulkhead connection	1	-	

ELECTRICAL

ELECTRICAL EQUIPMENT IN FRONT FUSELAGE

Ref. No.	Part No.	Description	No. off	Matl. Spec.	Cl. of Equip M.R. L.M.	Plate No.
40526	EB6.81.4137	CABLE, ASSEMBLY, N19, N22, N26 and N27, all from electrical control panel, N19 to 1600 cycles distribution box, N22 to main electrical panel, N26 and N27 to D.C. distribution box	1	—	C	
	EB6.81.3471	CABLE, ASSEMBLY, N28 and N29, both from electrical control panel to D.C. distribution box	1	—	—	
	EB6.81.5427	CABLE, ASSEMBLY, N30, from electrical control panel to pilot's console (Pre—Mod 5100)	1	—	—	
41629	EG4.81.3223	CABLE, ASSEMBLY, N30 (Alt. R60/61—Mod 5100)	1	—	—	
	EB7.81.591/2	CABLE, ASSEMBLY, N49, from jettison relay panel to pressure bulkhead connection	1	—	C	
17128	EB7.81.491	CABLE, ASSEMBLY, N51, from electrical control panel to engine instrument panel	1	—	C	
17129	EB7.81.493	CABLE, ASSEMBLY, N52, from electrical control panel to engine instrument panel	1	—	C	
	EB7.81.549/2	CABLE, ASSEMBLY, N55, from starter panel to time switch	1	—	—	
	EB7.81.551/2	CABLE, ASSEMBLY, N56, from starter panel to time switch	1	—	—	
40571	EB6.81.5423	CABLE, ASSEMBLY, N57, from electrical control panel to take-off panel	1	—	C	
	EG4.81.2715	CABLE, ASSEMBLY, N69, from electrical control panel to pilot's coaming panel, port and starboard and control column terminal block	1	—	—	
42353	EB6.81.5421	CABLE, ASSEMBLY, N70, from electrical control panel to aileron trim actuator and aileron trim position transmitter	1	—	C	
40584	EB6.81.5435	CABLE, ASSEMBLY, N71, from electrical control panel to pilot's console	1	—	C	
41647	EB6.81.581/2	CABLE, ASSEMBLY, N72, from pilot's console to pressure bulkhead connection	1	—	C	
5419	EA1.81.684/1	CABLE, ASSEMBLY, N74, from windscreen heater relay to direct vision window	1	—	C	
	EG4.81.1791	CABLE, ASSEMBLY, N76, from junction box 14 to pilot's console	1	—	—	
	EG4.81.937	CABLE, ASSEMBLY, N87, from 400 cycles fuse box to GIV8 amplifier	1	—	—	
38421	EB7.81.2015	CABLE, ASSEMBLY, N102, from slave relay box to pressure bulkhead connection	1	—	C	
	EB7.81.6549	CABLE, ASSEMBLY, N104, from pilot's console to pressure bulkhead connection (Pre—Mod 5100)	1	—	—	
	EB7.81.6721	CABLE, ASSEMBLY, N104 (Alt. R60/61—Mod 5100)	1	—	—	
	EB6.81.4077	CABLE, ASSEMBLY, N150, from main electrical panel to electrical control panel	1	—	—	
	EB6.81.3827	CABLE, ASSEMBLY, N157, from take-off panel to pressure bulkhead connection	1	—	—	
	EB6.81.4235	CABLE, ASSEMBLY, N185, from control column terminal block to control column	1	—	—	
	EG4.81.935	CABLE, ASSEMBLY, N183, from 400 cycles fuse box to flying instruments panel	1	—	—	
	EG4.81.2681	CABLE, ASSEMBLY, N567, from flying instruments panel to pressure bulkhead connections	1	—	—	

ELECTRICAL

ELECTRICAL EQUIPMENT IN FRONT FUSELAGE

Ref. No.	Part No.	Description	No. off	Matl. Spec.	Cl. of Equip M.R. L.M.	Plate No.
32526	EB6.81.1171	CABLE, ASSEMBLY, P10, from main electrical panel to fuse block	1	--	C	
	EB7.81.1783	CABLE, ASSEMBLY, 4C1, from undercarriage switch terminal block to undercarriage switch (Pre—Mod 5091)	1	--	—	
22539	EA1.81.1225	CABLE, ASSEMBLY, 4C1 (Mod 5091)	1	--	—	
	EB7.81.1785	CABLE, ASSEMBLY, 4C2, from undercarriage switch terminal block to undercarriage switch (Pre—Mod 5091)	1	--	C	
	EA1.81.1227	CABLE, ASSEMBLY, 4C2 (Mod 5091)	1	--	—	
21777	EB7.81.1787	CABLE, ASSEMBLY, 4C3, from undercarriage switch terminal block to undercarriage switch (Pre—Mod 5091)	1	--	C	
	EA1.81.1229	CABLE, ASSEMBLY, 4C3 (Mod 5091)	1	--	—	
4868	EA1.81.675/1	CABLE, ASSEMBLY, 4C4, from undercarriage switch terminal block to undercarriage switch	1	--	C	
	EB6.81.4241	CABLE, ASSEMBLY, 13D, from junction box 13 to air thermostat	1	--	—	
17112	EB7.81.445	CABLE, ASSEMBLY, 13H, from junction box 13 to canopy blower motor suppressor	1	--	C	
42451	EB6.81.4237	CABLE, ASSEMBLY, 13H1, from suppressor to canopy blower motor	1	--	C	
17412	EB6.81.763	CABLE, ASSEMBLY, 13J, from junction box 13 to navigator's oxygen regulator	1	--	C	
	EA3.81.2961	CABLE, ASSEMBLY, 13K, from junction box 13 to terminal block	1	--	—	
42348	EB6.81.3139	CABLE, ASSEMBLY, 13L, from junction box 13 to pilot's oxygen demand regulator	1	--	C	
42349	EB6.81.3141	CABLE, ASSEMBLY, 13M, from junction box 13 to navigator's instrument panel	1	--	C	
	EG4.81.815	CABLE, ASSEMBLY, 13P, from junction box 13 to navigator's coaming panel terminal block	1	--	—	
	EB6.81.4277	CABLE, ASSEMBLY, 14A, from junction box 14 to 400 cycles fuse box suppressor	1	--	—	
	EB6.81.4279	CABLE, ASSEMBLY, 14A1, from suppressor to 400 cycles fuse box	1	--	—	
	EB6.81.4743	CABLE, ASSEMBLY, 14J and 14Q, both from junction box 14, 14J to Westland valve, 14Q to pressure bulkhead connection	1	--	—	
	EB6.81.4239	CABLE, ASSEMBLY, 14L, 14M and 14N, all from junction box 14, 14L and 14M to type Q relay, 14N to warning horn	1	--	—	
	EB6.81.3137	CABLE, ASSEMBLY, 14S, from junction box 14 to second navigator's oxygen regulator	1	--	—	
17119	EB7.81.463	CABLE, ASSEMBLY, 16J, from junction box 16 to windscreen heater control box	1	--	C	
17418	EB6.81.775	CABLE, ASSEMBLY, 16P, from junction box 16 to pitot head	1	--	C	
17123	EB7.81.479	CABLE, ASSEMBLY, 16S, from junction box 16 to starter panel	1	--	C	
17124	EB7.81.481	CABLE, ASSEMBLY, 16T, from junction box 16 to throttle box	1	--	C	

ELECTRICAL

ELECTRICAL EQUIPMENT IN FRONT FUSELAGE

Part Number	Description 1 2 3 4 5 6	No. Off	Matl. Spec.	Plate No.
EB7.81.483	. . CABLE, ASSEMBLY, 16U, from junction box 16 to undercarriage panel	1	-	
EB6.81.3429	. . CABLE, ASSEMBLY, 16X, from junction box 16 to pilot's console (Pre-Mod 5100)	1	-	
EG4.81.3233	. . CABLE, ASSEMBLY, 16X (Alt. R60/61-Mod 5100)	1	-	
EB6.81.761	. . CABLE, ASSEMBLY, 16Y, from junction box 16 to bomb aimer's oxygen regulator	1	-	
HC294	. . TAG, ring tongue (Com Mod 0500)	2	-	
EG4.81.2843	. LOOMS, INSTRUMENT CABLE Spares for:-	1	-	
EB6.81.1145	. . CABLE, ASSEMBLY, azure blue, from flight computer to GIVB amplifier	1	-	
EB6.81.4819	. . CABLE, ASSEMBLY, A2-C2, from GIVB control panel to GIVB amplifier	1	-	
EB6.81.1149	. . CABLE, ASSEMBLY, brown, from flight computer to combined heading selector and control panel	1	-	
EB6.81.4041	. . CABLE, ASSEMBLY, BS1-AJ2A, from bomb aimer's compass to repeater junction box	1	-	
EB6.81.4045	. . CABLE, ASSEMBLY, BS1-AJ2C, from bomb aimer's compass to compass repeater	1	-	
EB6.81.4825	. . CABLE, ASSEMBLY, C1-SW, from GIVB control panel to engine starter panel (Pre-Mod 5100)	1	-	
EG4.81.3239	. . CABLE, ASSEMBLY, C1-SW (Alt. R60/61-Mod 5100)	1	-	
EB6.81.1139	. . CABLE, ASSEMBLY, grey, from flight computer to I.L.S. junction box	1	-	
EB6.81.807	. . CABLE, ASSEMBLY, G1-C3, from GIVB control panel to gyro unit	1	-	
EB6.81.1143	. . CABLE, ASSEMBLY, lemon, from flight computer to combined heading selector and control panel	1	-	
EB6.81.4813	. . CABLE, ASSEMBLY, M1-A1, from GIVB amplifier to GIVB master indicator	1	-	
EB6.81.1151	. . CABLE, ASSEMBLY, orange, from flight computer to junction box (Ref. 6A/6126)	1	-	
EB6.81.1141	. . CABLE, ASSEMBLY, salmon pink, from indicator to junction box (Ref. 6A/6126)	1	-	
EG4.81.933	. . CABLE, ASSEMBLY, white, from flight computer to 400 cycles fuse box	1	-	
EG4.81.941	. . CABLE, ASSEMBLY, white, from 400 cycles fuse box to junction box	1	-	
508-1-03442-003	. . CAP, protective	3	-	
EB6.81.4823	. . CONNECTOR, M2-A4, from GIVB amplifier to master indicator	1	-	
EB6.81.4821	. . CONNECTOR, M3-D1C, from GIVB master indicator to pressure bulkhead connection	1	-	
EA2.81.1241	. MOUNTING, SLAVE RELAY BOX, INSTALLATION Spares for:-	-	-	EB11/1
EA3.81.2843	. . BOX, RELAY, ASSEMBLY Spares for:-	1	-	EB11/2
EA3.81.2845	. . . BOX, shell assembly	1	-	EB11/3
SIS1564	. . . BLOCK, terminal type B 2-way Attaching parts for SIS1564:-	1	-	EB11/4
A33A18	. . . Screw, csk, head 6BA	2	-	EB11/5

ELECTRICAL

ELECTRICAL EQUIPMENT IN FRONT FUSELAGE

Part Number	Description	No. Off	Mati. Spec.	Plate No.	
					1
EA3.81.2847 LID, ASSEMBLY Spares for:—	1	—	EB11/6	
L1850-1 BLOCK, terminal Attaching parts for L1850-1:—	4	—	EB11/7	
A27BP Nut, 4BA	1	—	EB11/8	
A33B16 Screw, 4BA, csk. head	1	—	EB11/9	
AGS2035B Washer, 4BA	1	—	EB11/10	
EA3.81.3101 LID, box Attaching parts for EA3.81.3101:—	1	—	EB11/11	
EA3.81.3107 Screw, special	2	—	EB11/12	
EA3.81.3113 LINK, connecting	2	—	EB11/13	
EA3.81.3103 PANEL, relay mounting Attaching parts for EA3.81.3103:—	1	—	EB11/14	
AGS2001B1 Nut, 4BA	8	—	EB11/15	
EA3.81.3105 Stud, mounting	4	—	EB11/16	
SP13B Washer, 4BA	4	—	EB11/17	
STC 4190 ED RELAY Spares for:—	2	—	EB11/18	
A27BP NUT, 4BA	1	—	EB11/19	
AGS2035B WASHER, shakeproof Attaching parts for 4190 ED:—	1	—	EB11/20	
AGS2002A1 Nut, 6BA	1	—	EB11/21	
SP13A Washer, 6BA	1	—	EB11/22	
EA3.81.3115	. . BRACKET, mounting, relay box	1	—	EB11/23	
EB7.81.1377	. MOUNTING, TIME SWITCHES Spares for:—	—	—	EB7/29	
EB7.81.1375 TEDDINGTON CONTROLS	. . BRACKET, assembly	1	—	EB7/30	
FHMA25	. . SWITCH, time Attaching parts for FHMA25:—	2	—	EB7/31	
A31C20	. . Screw, 2BA	4	—	EB7/32	
EB6.81.3071	. PANELS, CONTROL, AND INVERTER STARTER SWITCHES INSTALLATION Spares for:—	—	—	EB24/1	
EB6.81.3051	. . CHANNEL, mounting	1	—	EB24/2	
EB6.81.3055	. . CHANNEL, mounting Attaching parts for EB6.81.3051 and EB6.81.3055:—	1	—	EB24/3	
A25/1C	. . Bolt, 2BA	4	—	EB24/4	
AGS2001C1/66	. . Nut, stiff, 2BA	4	—	EB24/5	
SP15C	. . Washer	4	—	EB24/6	
EB6.81.3021	. . CHANNEL, reinforcing	1	—	EB24/7	
EB6.81.3033	. . CHANNEL, reinforcing	1	—	EB24/8	
EB6.81.3029	. . PACKING	1	—	EB24/9	
EB6.81.3035	. . PACKING	1	—	EB24/10	
U1502-2	. . PANEL, control, type 15 Attaching parts for U1502-2:—	1	—	EB24/11	
A25/4E	. . Bolt, 1/4" BSF	4	—	EB24/12	
SP15E	. . Washer	4	—	EB24/13	

AP101B-0415-3A

ELECTRICAL
ELECTRICAL EQUIPMENT IN FRONT FUSELAGE

Part Number	Description	No. Off	Mati. Spec.	Plate No.
5UC4379155	. . . PANEL, control, type 24 Attaching parts for Ref. 5UC/4379155 :-	1	-	EB24/14
A25/2E	. . . Bolt, 1/4" BSF	4	-	EB24/15
SP15E	. . . Washer	4	-	EB24/16
EB6.81.3455	. . . STIFFENING, assembly	2	-	EB24/17
5CW4405591	. . . SWITCH, magnetic relay, type T1 Attaching parts for Ref. 5CW/4405591 :-	1	-	EB24/18
A25/3C	. . . Bolt, 2BA	2	-	EB24/19
AGS2001C1/66	. . . Nut, stiff, 2BA	2	-	EB24/20
SP15C	. . . Washer	2	-	EB24/21
5CW9003770	. . . SWITCH, starter, type 1A, No. 5 Attaching parts for Ref. 5CW/9003770 :-	1	-	EB24/22
A25/7C	. . . Bolt, 2BA	4	-	EB24/23
AGS2001C1/66	. . . Nut, stiff, 2BA	4	-	EB24/24
SP15C	. . . Washer	4	-	EB24/25
EB6.81.3067	. . . TRAY, mounting, assembly Attaching parts for EB6.81.3067 :-	1	-	EB24/26
A25/1C	. . . Bolt, 2BA	8	-	EB24/27
SP15C	. . . Washer	8	-	EB24/28
EG4.81.2873	. . . PANEL, ELECTRICAL CONTROL, INSTALLATION Spares for :-	-	-	
EG4.81.2875	. . . PANEL, ELECTRICAL CONTROL, ASSEMBLY Spares for :-	1	-	EB12/1
703-2-00253 BAR, commoning, 4 way	34	-	
EA1.81.410 BAR, TERMINAL, ASSEMBLY Spares for :-	4	-	EB12/1A
EA1.81.411 BAR, terminal Attaching parts for EA1.81.411 :-	1	-	EB12/2
A45B12 Screw	2	-	EB12/3
EA1.81.410A BASE, 5/16" thick	1	LFS21	EB12/4
EA1.81.410B COVER, plate, 1/8" thick	1	LFS21	EB12/5
BULGIN T5 HEAD, terminal, moulded	2	-	EB12/6
AGS2002E4 NUT, stiff, 1/4" BSF Attaching parts for EA1.81.410 :-	3	-	EB12/7
AGS2002B1 Nut, 4BA	2	-	EB12/8
A33B14 Screw, 4BA, csk. head	2	-	EB12/9
703-2-00268 BLOCK, mounting	12	-	EB12/10
PLESSEY				
703-1-00249 BLOCK, terminal, 20 - way Attaching parts for 703-1-00249 :-	8	-	EB12/11
AS1246/3B Bolt, 4BA	2	-	EB12/12
A32B14 Screw, 4BA	2	-	EB12/13
AGS2035B Washer, shakeproof	2	-	EB12/14
LGA12B1-1 BREAKER, circuit, 12A	1	-	EB12/15
LGA35B1 BREAKER, circuit, 35A	2	-	EB12/16

R

ELECTRICAL
ELECTRICAL EQUIPMENT IN FRONT FUSELAGE

Part Number	1 2 3 4 5 6	Description	No. Off	Mati. Spec.	Plate No.
EA2.81.803	. . .	CARRIER, SPARE FUSE, ASSEMBLY	1	-	EB12/17
		Spares for :-			
AS2294/1	CLIP, spring	24	-	EB12/18
EA2.81.805	PLATE, base	1	-	EB12/19
		Attaching parts for EA2.81.803 :-			
AGS2001A1	Nut, 6BA	4	-	EB12/20
A32A16	Screw, 6BA, round head	4	-	EB12/21
AS3180/78	CLIP	1	-	EB12/22
AS3180/148	CLIP	1	-	EB12/23
		Attaching parts for AS3180/78 and AS3180/148 :-			
AGS2001B1	Nut, 4BA	1	-	EB12/24
A32B16	Screw, 4BA, round head	1	-	EB12/25
SP138	Washer, 4BA	1	-	EB12/26
5L9951271	FILAMENT	2	-	EB12/27
10H6211965	FUSE, 40 amp, HRC	1	-	
10H1043043	FUSE, 30 amp, HRC	8	-	
10H1047920	FUSE, 2.5 amp, HRC, type AS	37	-	
10H1043046	FUSE, 20 amp, HRC, type AS	14	-	
10H9718191	FUSE, 10 amp, HRC, type AS	33	-	
10H9483981	FUSE, 5 amp, HRC, type AS	69	-	
10H1094061	FUSE, 7.5 amp, HRC, type AS	2	-	
SP93A8	GROMMET	1	-	EB13/1
SP93A18	GROMMET	2	-	EB13/2
EG4.81.879	LABEL, HRC fuses	1	-	EB12/84
EG4.81.2917	LABEL, circuit breaker	1	-	EB12/28
5CX1041518	LAMP, cockpit floodlight	2	-	EB12/29
		Attaching parts for 5CX1041518:-			
AGS2002B1	Nut, 4BA	2	-	EB12/30
A32B14	Screw, 4BA, round head	2	-	EB12/31
EB6.81.4747	LANYARD, assembly	2	-	EB12/32
		Attaching parts for EB6.81.4747 :-			
AGS2001B1	Nut, 4BA	2	-	EB12/33
SP138	Washer, 4BA	2	-	EB12/34
EEAS71/1	LINK, commoning, 2 - way	1	-	
PLESSEY					
703-2-00253	LINK, commoning, 4 - way	2	-	
703-2-00251	LINK, commoning, 2 - way	20	-	
703-2-00254	LINK, commoning, 5 - way	2	-	
EB6.81.3385	MOUNTING, FUSE, ASSEMBLY	1	-	EB12/35
		Spares for :-			
EB6.81.3403	BOLT, special	12	-	EB12/36
E. E. CO. LTD.					
V1234	CARRIER, fuse	6	-	EB12/37
EB6.81.3405	LINK, fuse	3	-	EB12/38
A14EB	NUT	12	-	EB12/39
AGS2002E4	NUT, 1/4" BSF	12	-	EB12/40

AP101B-0415-3A

ELECTRICAL
ELECTRICAL EQUIPMENT IN FRONT FUSELAGE

Part Number	Description						No. Off	Matl. Spec.	Plate No.
	1	2	3	4	5	6			
EB6.81.3367	1	-	EB12/41
EB6.81.3369	1	-	EB12/42
EEAS28/22EW	12	-	EB12/43
SP10E	24	-	EB12/44
			
			
A25/16C	4	-	EB12/45
SP13C	4	-	EB12/46
			
EG4.81.2915	-	-	EB14/1
			
			
EB6.81.3483	1	-	EB14/2
			
			
703-1-00416	1	-	EB14/3
EB6.81.3543	1	-	EB14/4
			
			
A32B10	2	-	EB14/5
AGS2035B	2	-	EB14/6
			
EB6.81.3485	1	-	EB14/7
			
			
703-1-00416	1	-	EB14/8
EB6.81.3545	1	-	EB14/9
			
			
A32B10	2	-	EB14/10
AGS2035B	2	-	EB14/11
			
EB6.81.3489	1	-	EB14/12
			
			
703-1-00416	1	-	EB14/13
EB6.81.3549	1	-	EB14/14
			
			
A32B8	2	-	EB14/15
AGS2035B	2	-	EB14/16
			
EB6.81.3491	1	-	EB14/17
			
			
703-1-00416	1	-	EB14/18
EB6.81.3551	1	-	EB14/19
			
			
A32B8	2	-	EB14/20
AGS2035B	2	-	EB14/21
			
EB6.81.3495	1	-	EB14/22
			
			
703-1-00416	1	-	EB14/23
EB6.81.3555	1	-	EB14/24
			
			
A32B8	2	-	EB14/25
AGS2035B	2	-	EB14/26
			
EB6.81.3499	1	-	EB14A/1
			
			
703-1-00416	1	-	EB14A/2
EB6.81.3559	1	-	EB14A/3
			
			
A32B10	2	-	EB14A/4
AGS2035B	2	-	EB14A/5

R

R

R

R

R

ELECTRICAL
ELECTRICAL EQUIPMENT IN FRONT FUSELAGE

Part Number	1 2 3 4 5 6	Description	No. Off	Matl. Spec.	Plate No.
R	EG4.81.3255	BLOCK, FUSE, ASSEMBLY (Mod 5218) Spares for :-	1	-	EB14A/6
R	703-1-00416	BLOCK, fuse	1	-	EB14A/7
R	EG4.81.3253	LABEL	1	-	EB14A/8
R	A32B10	Attaching parts for EG4.81.3255 :- Screw, 4BA	2	-	EB14A/9
R	AGS2035B	Washer, shakeproof	2	-	EB14A/10
R	EB6.81.3511	BLOCK, FUSE, ASSEMBLY Spares for :-	1	-	EB14A/11
R	703-1-00416	BLOCK, fuse	1	-	EB14A/12
R	EB6.81.3571	LABEL	1	-	EB14A/13
R	A32B10	Attaching parts for EB6.81.3511 :- Screw, 4BA	2	-	EB14A/14
R	AGS2035B	Washer, shakeproof	2	-	EB14A/15
R	EB6.81.3513	BLOCK, FUSE, ASSEMBLY Spares for :-	1	-	EB14A/16
R	703-1-00416	BLOCK, fuse	1	-	EB14A/17
R	EB6.81.3573	LABEL	1	-	EB14A/18
R	A32B10	Attaching parts for EB6.81.3513 :- Screw, 4BA	2	-	EB14A/19
R	AGS2035B	Washer, shakeproof	2	-	EB14A/20
R	EB6.81.3515	BLOCK, FUSE, ASSEMBLY Spares for :-	1	-	EB14A/21
R	703-1-00416	BLOCK, fuse	1	-	EB14A/22
R	EB6.81.3575	LABEL	1	-	EB14A/23
R	A32B10	Attaching parts for EB6.81.3515 :- Screw, 4BA	2	-	EB14A/24
R	AGS2035B	Washer, shakeproof	2	-	EB14A/25
R	EB6.81.3517	BLOCK, FUSE, ASSEMBLY Spares for :-	1	-	EB14A/26
R	703-1-00416	BLOCK, fuse	1	-	EB14A/27
R	EB6.81.3577	LABEL	1	-	EB14A/28
R	A32B10	Attaching parts for EB6.81.3517 :- Screw, 4BA	2	-	EB14A/29
R	AGS2035B	Washer, shakeproof	2	-	EB14A/30
R	EB6.81.3519	BLOCK, FUSE, ASSEMBLY Spares for :-	1	-	EB14A/31
R	703-1-00416	BLOCK, fuse	1	-	EB14A/32
R	EB6.81.3579	LABEL	1	-	EB14A/33
R	A32B10	Attaching parts for EB6.81.3519 :- Screw, 4BA	2	-	EB14A/34
R	AGS2035B	Washer, shakeproof	2	-	EB14A/35
R	EB6.81.3521	BLOCK, FUSE, ASSEMBLY Spares for :-	1	-	EB14A/36
R	703-1-00416	BLOCK, fuse	1	-	EB14A/37
R	EB6.81.3581	LABEL	1	-	EB14A/38
R	A32B10	Attaching parts for EB6.81.3521 :- Screw, 4BA	2	-	EB14A/39
R	AGS2035B	Washer, shakeproof	2	-	EB14A/40

ELECTRICAL

ELECTRICAL EQUIPMENT IN FRONT FUSELAGE

Part Number	Description						No. Off	Matl. Spec.	Plate No.
	1	2	3	4	5	6			
R EB6.81.3259	BLOCK, FUSE, ASSEMBLY		1	-	EB14B/1
					Spares for:-				
R 703-1-00416	BLOCK, fuse		1	-	EB14B/2
R EB6.81.3589	LABEL		1	-	EB14B/3
					Attaching parts for EB6.81.3529:-				
R A32B8	Screw, 4BA		2	-	EB14B/4
R AGS2035B	Washer, shakeproof		2	-	EB14B/5
R EG4.81.2011	BLOCK, FUSE, ASSEMBLY		1	-	EB14/27
					Spares for:-				
R 703-1-00416	BLOCK, fuse		1	-	EB14/28
R EG4.81.2013	LABEL		1	-	EB14/29
					Attaching parts for EG4.81.2011:-				
R A32B10	Screw, 4BA		2	-	EB14/30
R AGS2035B	Washer, shakeproof		2	-	EB14/31
R EG4.81.2923	BLOCK, FUSE, ASSEMBLY		1	-	EB14/32
					Spares for:-				
R 703-1-00416	BLOCK, fuse		1	-	EB14/33
R EG4.81.2925	LABEL		1	-	EB14/34
					Attaching parts for EG4.81.2923:-				
R A32B10	Screw, 4BA		2	-	EB14/35
R AGS2035B	Washer, shakeproof		2	-	EB14/36
R EG4.81.2927	BLOCK, FUSE, ASSEMBLY		1	-	EB14/37
					Spares for:-				
R 703-1-00416	BLOCK, fuse		1	-	EB14/38
R EG4.81.2929	LABEL		1	-	EB14/39
					Attaching parts for EG4.81.2927:-				
R A32B10	Screw, 4BA		2	-	EB14/40
R AGS2035A	Washer, shakeproof		2	-	EB14/41
R EG4.81.2931	BLOCK, FUSE, ASSEMBLY		1	-	EB14/42
					Spares for:-				
R 703-1-00416	BLOCK, fuse		1	-	EB14/43
R EG4.81.2933	LABEL		1	-	EB14/44
					Attaching parts for EG4.81.2931:-				
R A32B10	Screw, 4BA		2	-	EB14/45
R AGS2035B	Washer, shakeproof		2	-	EB14/46
R EG4.81.2935	BLOCK, FUSE, ASSEMBLY		1	-	EB14/47
					Spares for:-				
R 703-1-00416	BLOCK, fuse		1	-	EB14/48
R EG4.81.2937	LABEL		1	-	EB14/49
					Attaching parts for EG4.81.2935:-				
R A32B8	Screw, 4BA		2	-	EB14/50
R AGS2035B	Washer, shakeproof		2	-	EB14/51
R EG4.81.2939	BLOCK, FUSE, ASSEMBLY		1	-	EB14A/41
					Spares for:-				
R 703-1-00416	BLOCK, fuse		1	-	EB14A/42
R EG4.81.2941	LABEL		1	-	EB14A/43
					Attaching parts for EG4.81.2939:-				
R A32B10	Screw, 4BA		2	-	EB14A/44
R AGS2035B	Washer, shakeproof		2	-	EB14A/45

ELECTRICAL

ELECTRICAL EQUIPMENT IN FRONT FUSELAGE

Part Number	1 2 3 4 5 6	Description	No. Off	Matl. Spec.	Plate No.
EG4.81.2943		BLOCK, FUSE, ASSEMBLY	1	-	EB14A/46
		Spares for:-			
703-1-00416		BLOCK, fuse	1	-	EB14A/47
EG4.81.2945		LABEL	1	-	EB14A/48
		Attaching parts for EG4.81.2943:-			
A32B10		Screw, 4BA	2	-	EB14A/49
AGS2035B		Washer, shakeproof	2	-	EB14A/50
EG4.81.2947		BLOCK, FUSE, ASSEMBLY	1	-	EB14B/6
		Spares for:-			
703-1-00416		BLOCK, fuse	1	-	EB14B/7
EG4.81.2949		LABEL	1	-	EB14B/8
		Attaching parts for EG4.81.2947:-			
A32B8		Screw, 4BA	2	-	EB14B/9
AGS2035B		Washer, shakeproof	2	-	EB14B/10
EG4.81.2951		BLOCK, FUSE, ASSEMBLY	1	-	EB14B/11
		Spares for:-			
703-1-00416		BLOCK, fuse	1	-	EB14B/12
EG4.81.2953		LABEL	1	-	EB14B/13
		Attaching parts for EG4.81.2951:-			
A32B8		Screw, 4BA	2	-	EB14B/14
AGS2035B		Washer, shakeproof	2	-	EB14B/15
EG4.81.2955		BLOCK, FUSE, ASSEMBLY	1	-	EB14B/16
		Spares for:-			
703-1-00416		BLOCK, fuse	1	-	EB14B/17
EG4.81.2957		LABEL	1	-	EB14B/18
		Attaching parts for EG4.81.2955:-			
A32B8		Screw, 4BA	2	-	EB14B/19
AGS2035B		Washer, shakeproof	2	-	EB14B/20
EG4.81.2959		BLOCK, FUSE, ASSEMBLY	1	-	EB14B/21
		Spares for:-			
703-1-00416		BLOCK, fuse	1	-	EB14B/22
EG4.81.2961		LABEL	1	-	EB14B/23
		Attaching parts for EG4.81.2959:-			
A32B8		Screw, 4BA	2	-	EB14B/24
AGS2035B		Washer, shakeproof	2	-	EB14B/25
EG4.81.2963		BLOCK, FUSE, ASSEMBLY	1	-	EB14B/26
		Spares for:-			
703-1-00416		BLOCK, fuse	1	-	EB14B/27
EG4.81.2965		LABEL	1	-	EB14B/28
		Attaching parts for EG4.81.2963:-			
A32B8		Screw, 4BA	2	-	EB14B/29
AGS2035B		Washer, shakeproof	2	-	EB14B/30
EG4.81.2967		BLOCK, FUSE, ASSEMBLY	1	-	EB14B/31
		Spares for:-			
703-00416		BLOCK, fuse	1	-	EB14B/32
EG4.81.2969		LABEL	1	-	EB14B/33
		Attaching parts for EG4.81.2967:-			
A32B10		Screw, 4BA	2	-	EB14B/34
AGS2035B		Washer, shakeproof	2	-	EB14B/35

ELECTRICAL
ELECTRICAL EQUIPMENT IN FRONT FUSELAGE

Part Number	Description						No. Off	Mati. Spec.	Plate No.
	1	2	3	4	5	6			
EG4.81.2971			1	-	EB14B/36
						Spares for :-			
703-1-00416		BLOCK, fuse	1	-	EB14B/37
EG4.81.2973		LABEL	1	-	EB14B/38
						Attaching parts for EG4.81.2971 :-			
A32B10		Screw, 4BA	2	-	EB14B/39
AGS2035B		Washer, shakeproof	2	-	EB14B/40
EG4.81.2975		BLOCK, FUSE, ASSEMBLY	1	-	EB14B/41
						Spares for :-			
703-1-00416		BLOCK, fuse	1	-	EB14B/42
EG4.81.2977		LABEL	1	-	EB14B/43
						Attaching parts for EG4.81.2975 :-			
A32B10		Screw, 4BA	2	-	EB14B/44
AGS2035B		Washer, shakeproof	2	-	EB14B/45
EG4.81.2979		BLOCK, FUSE, ASSEMBLY	1	-	EB14B/46
						Spares for :-			
703-1-00416		BLOCK, fuse	1	-	EB14B/47
EG4.81.2981		LABEL	1	-	EB14B/48
						Attaching parts for EG4.81.2979 :-			
A32B10		Screw, 4BA	2	-	EB14B/49
AGS2035B		Washer, shakeproof	2	-	EB14B/50
EG4.81.3097		BLOCK, FUSE, ASSEMBLY	1	-	EB14/52
						Spares for :-			
703-1-00416		BLOCK, fuse	1	-	EB14/53
EG4.81.1533		LABEL	1	-	EB14/54
						Attaching parts for EG4.81.3097 :-			
A32B8		Screw, 4BA	2	-	EB14/55
AGS2035B		Washer, shakeproof	2	-	EB14/56
EG4.81.3099		BLOCK, FUSE, ASSEMBLY	1	-	EB14A/51
						Spares for :-			
703-1-00416		BLOCK, fuse	1	-	EB14A/52
EG4.81.1535		LABEL	1	-	EB14A/53
						Attaching parts for EG4.81.3099 :-			
A32B10		Screw, 4BA	2	-	EB14A/54
AGS2035B		Washer, shakeproof	2	-	EB14A/55
EG4.81.3101		BLOCK, FUSE, ASSEMBLY	1	-	EB14/57
						Spares for :-			
703-1-00416		BLOCK, fuse	1	-	EB14/58
EG4.81.3103		LABEL	1	-	EB14/59
						Attaching parts for EG4.81.3101 :-			
A32B8		Screw, 4BA	2	-	EB14/60
AGS2035B		Washer, shakeproof	2	-	EB14/61
EG4.81.3105		BLOCK, FUSE, ASSEMBLY	1	-	EB14A/56
						Spares for :-			
703-1-00416		BLOCK, fuse	1	-	EB14A/57
EG4.81.3107		LABEL	1	-	EB14A/58
						Attaching parts for EG4.81.3105 :-			
A32B10		Screw, 4BA	2	-	EB14A/59
AGS2035B		Washer, shakeproof	2	-	EB14A/60

ELECTRICAL
ELECTRICAL EQUIPMENT IN FRONT FUSELAGE

Part Number	Description	No. Off	Mati. Spec.	Plate No.
EG4.81.3109	BLOCK, FUSE, ASSEMBLY Spares for :-	1	-	EB14B/51
703-1-00416	BLOCK, fuse	1	-	EB14B/52
EG4.81.3111	LABEL	1	-	EB14B/53
A32B10	Attaching parts for EG4.81.3109 :- Screw, 4BA	2	-	EB14B/54
AGS2035B	Washer, shakeproof	2	-	EB14B/55
EG4.81.3113	BLOCK, FUSE, ASSEMBLY Spares for :-	1	-	EB14B/56
703-1-00416	BLOCK, fuse	1	-	EB14B/57
EG4.81.3115	LABEL	1	-	EB14B/58
A32B10	Attaching parts for EG4.81.3113 :- Screw, 4BA	2	-	EB14B/59
AGS2035B	Washer, shakeproof	2	-	EB14B/60
AS3180/12B	CLIP	1	-	EB14B/61
AS3180/14B	CLIP	4	-	EB14B/62
AS1246/1B	Attaching parts for AS3180/14B :- Bolt, 4BA	1	-	EB14B/63
AGS2001B1	Nut, stiff, 4BA	1	-	EB14B/64
SP13B	Washer	1	-	EB14B/65
5X9131181	GROMMET	15	-	EB14B/66
EB6.81.3323	PANEL, FUSE, ASSEMBLY Spares for :-	1	-	EB14B/67
EB6.81.785	HINGE	2	-	EB14B/68
ODDIE 213	Attaching parts for EG4.81.2915 :- Stud	3	-	EB14/62
ODDIE 214	Washer	3	-	EB14/63
EG4.81.2913	PANEL, RELAY EQUIPMENT, ASSEMBLY Spares for :-	1	-	EB12/47
EB6.81.3411	BOLT, special	6	-	EB12/48
EB6.81.3329	COVER, relay, assembly	1	-	EB12/49
AGS2001C1/66	NUT, 2BA	6	-	EB12/50
EB6.81.3327	PANEL, relay mounting, assembly	1	-	EB12/51
PLESSEY				
7CZ107792	RELAY, type SDP/2DM/2DB/28/25/200AC	3	-	EB12/52
7CZ107791	RELAY, type SDP/4DM/4DB/28/10/200AC	2	-	EB12/53
A33B14	SCREW, 4BA, csk. head	8	-	EB12/54
PLESSEY				
7CZ107805	SOCKET, relay, type S1	3	-	EB12/55
7CZ107794	SOCKET, relay, type S3	2	-	EB12/56
SP10C	WASHER, 2BA	2	-	EB12/57
SP13C	WASHER, 2BA	6	-	EB12/58
A25/1B	Attaching parts for EG4.81.2913 :- Bolt, 4BA	4	-	EB12/59
SP13B	Washer, 4BA	4	-	EB12/60
EB6.81.5505	PANEL	2	-	EB12/61
EB6.81.3733	PIECE, packing	4	-	EB12/62
EB6.81.3837	PLATE, insulating	1	-	EB12/63
EG4.81.3095	PLATE, cover, assembly	1	-	EB13/8
ODDIE 213	Attaching parts for EG4.81.3095 :- Stud	11	-	EB13/9
ODDIE 214	Washer	11	-	EB13/10
EG4.81.3219	PLATE, switch, engraved (Alt.R60/61R1)	1	-	EB13/7

ELECTRICAL
ELECTRICAL EQUIPMENT IN FRONT FUSELAGE

Part Number	Description	No. Off	Matl. Spec.	Plate No.
EG4.81.2651	PLATE, TERMINAL BLOCK, ASSEMBLY	1	--	EB12/64
703-1-00238	Spares for :- BLOCK, terminal	1	--	EB12/65
AGS2001B1	Attaching parts for 703-1-00238 :- Nut, stiff, 4BA	2	--	EB12/66
A31B24	Screw, 4BA	2	--	EB12/67
EG4.81.2649	PLATE	1	--	EB12/68
MAM RUBBER	SLEEVE, 3mm i/d X 3/8", CXH	5	--	
508-1-06413	PLUG, fixed, 26 - way	12	--	EB13/11
508-1-06406	PLUG, fixed, 14 - way	2	--	EB13/12
508-1-06405	PLUG, fixed, 12 - way	1	--	EB13/13
508-1-06399	PLUG, fixed, 9 - way	3	--	EB13/14
508-1-06410	PLUG, fixed, 13 - way	2	--	EB13/15
508-1-06396	PLUG, fixed, 5 - way	1	--	EB13/16
508-1-06415	PLUG, fixed, 27 - way	1	--	EB13/17
508-1-06394	PLUG, fixed, 4 - way	1	--	EB13/18
10H0130589	PLUG, Mk. 7, 12 - way	1	--	EB13/19
508-2-12373-002	RING, anti-chafe	1	--	EB13/20
MAM RUBBER	SLEEVE, 3 mm i/d X 3/8" CXH	QR	--	
EEAS146/20	SLEEVE, 1/2"	QR	--	
EEAS146/000	SLEEVE, 3/4"	QR	--	
EEAS146/6	SLEEVE, 3/4"	QR	--	
EEAS146/10	SLEEVE, 3/4"	QR	--	
EEAS146/12	SLEEVE, 3/4"	QR	--	
EEAS124/16	SLEEVE, 3/4"	QR	--	
EEAS146/20	SLEEVE, 3/4"	QR	--	
PLESSEY				
508-2-11232-002	SLEEVE, reducing, 6 - 12 amp	305	--	
508-2-11231-002	SLEEVE, reducing, 12 - 24 amp	1	--	
508-1-07041-220	SOCKET, fixed, 2 - way	1	--	EB13/21
508-1-07042-220	SOCKET, fixed, 4 - way	1	--	EB13/22
MS3102E24/11S	SOCKET, fixed, 11 - way	1	--	EB13/23
MS3102E20/14S	SOCKET, fixed, 14 - way	1	--	EB13/24
460/14/19S	SOCKET, fixed, 19 - way	1	--	EB13/25
508-1-40053-320	SOCKET, fixed, Mk.4, 9 - way	2	--	EB13/26
5CW1102662	SOCKET, test, type F	1	--	EB13/27
AGS2001B1	Attaching parts for 5CW/1102662 :- Nut, 4BA	2	--	EB13/28
A32B18	Screw, 4 BA, round head	2	--	EB13/29
SP13B	Washer, 4BA	2	--	EB13/30
NY18007A	STRAPPING	QR	--	
NY18067	STRAPPING	QR	--	
EG4.81.2903	STRUCTURE, electrical control panel	1	--	
NY3255	STUD	QR	--	
5CW1102662	SWITCH, push button	8	--	EB13/31
AGS2001A1	Attaching parts for Ref.5CW/1102662 :- Nut, 6 BA	4	--	EB13/3
A32A16	Screw, 6BA, round head	4	--	EB13/4
NSF8396B102	SWITCH, on/off	1	--	EB13/5
8801K6	SWITCH, single pole	1	--	EB13/6
HELLERMANN				
HC510	TAG, QR, 19 amp	QR	--	
HC500	TAG, QR, 7 amp	QR	--	
HC490	TAG, QR, 4 amp	QR	--	
HC310	TAG, closed end, 24 amp	QR	--	

R

R

R

R

ELECTRICAL

ELECTRICAL EQUIPMENT IN FRONT FUSELAGE

Part Number	Description	No. Off	Mati. Spec.	Plate No.
HC296	. . . TAG, closed end, 6 amp	QR	--	
12318	. . . TAG, closed end, 50 amp	QR	--	
ERMA	. . . TAG, closed end	QR	--	
HC314C	. . . TAG, closed end, 24 amp	QR	--	
HC304	. . . TAG, closed end, 12 amp	QR	--	
CPL98-01-18/16G	. . . TAG, closed end, 12 amp	QR	--	
CPL98-01-12A	. . . TAG, closed end, 50 amp	QR	--	
EB6.81.3407	. . . TERMINAL, earth assembly	1	--	EB12/69
	Spares for:--			
EB6.81.3409	. . . LINK, earth	1	--	EB12/70
AGS2001B4	. . . NUT, stiff, 4BA	6	--	EB12/71
A45B32	. . . SCREW, 4BA	6	--	EB12/72
SP25B	. . . WASHER	12	Brass	EB12/73
	Attaching parts for EB6.81.3407:--			
AS1246/3C	. . . Bolt, round head, 2 BA	2	--	EB12/74
AGS2001C1/66	. . . Nut, stiff, 2BA	2	--	EB12/75
A44C6	. . . Screw, 2BA	1	--	EB12/86
AGS2035C	. . . Washer, shakeproof, 2BA	1	--	EB12/87
SP13C	. . . Washer, 2BA	2	--	EB12/85
6A1062526	. . . UNIT, resistance	2	--	EB12/76
	Attaching parts for 6A/1062526:--			
AGS2002B1	. . . Nut, stiff, thin, 4BA	2	--	EB12/77
A32B22	. . . Screw, round head, 4BA	2	--	EB12/78
SP13B	. . . Washer, 4BA	2	--	EB12/79
EEAS43/3	. . . WASHER, 2BA, shakeproof	2	--	
	Attaching parts for EG4.81.2875:--			
A25/1C	. . . Bolt, 2BA	3	--	EB12/81
A25/2C	. . . Bolt, 2BA	6	--	EB12/82
SP13C	. . . Washer	9	--	EB12/83
R EG4.81.2889	. . . PANEL, MAIN ELECTRICAL, ASSEMBLY (Pre Mod 5438)	--	--	EB15/1
R EG4.81.3515	. . . PANEL, MAIN ELECTRICAL, ASSEMBLY (Mod 5438)	--	--	
	Spares for:--			
Z54032	. . . BAR, commoning, 2-way	3	--	EB16/1
Z63021	. . . BAR, commoning, 4-way	5	--	EB16/2
R EG4.81.3155	. . . BLOCK, FUSE, ASSEMBLY (Pre Mod 5438)	1	--	EB16/3
R EG4.81.3513	. . . BLOCK, FUSE, ASSEMBLY (Mod 5438)	1	--	
	Spares for:--			
703-1-00416	. . . BLOCK, fuse	1	--	EB16/4
EG4.81.3157	. . . LABEL	1	--	EB16/5
	Attaching parts for EG4.81.3155 or EG4.81.3513:--			
A31B10	. . . Screw, 4BA	2	--	EB16/6
AGS2035B	. . . Washer, lock	2	--	EB16/7
EB6.81.3109	. . . BLOCK, fuse mounting	1	--	EB16/8
	Attaching parts for EB6.81.3109:--			
AS1246/14B	. . . Bolt, 4BA	1	--	EB16/9
AS4566/5B	. . . Bolt, 4BA	1	--	EB16/10
AS4566/9B	. . . Bolt, 4BA	1	--	EB16/11
EG4.81.727	. . . BLOCK, fuse mounting	1	--	EB16/12
	Attaching parts for EG4.81.727:--			
AS1246/14B	. . . Bolt, 4BA	2	--	EB16/13
AS1246/15C	. . . Bolt, 2BA	1	--	EB16/14
EB6.81.2997	. . . BLOCK, packing	1	--	EB16/15
EB6.81.2999	. . . BLOCK, packing	1	--	EB16/16
EB6.81.4281	. . . BOLT, special	2	--	EB15/2
5CZ433526	. . . BOLT, rubber	2	--	EB15/3
EA9.81.1003	. . . BRACKET, assembly	1	--	EB15/4
	Attaching parts for EA9.81.1003:--			
AS1248/1/2B	. . . Bolt, 4BA, mush. head	4	--	EB15/5

AP101B-0415-3A

ELECTRICAL

Page EB.31

ELECTRICAL EQUIPMENT IN FRONT FUSELAGE

Part Number	Description	No. Off	Matl. Spec.	Plate No.
EB6.81.5569	. . . BRACKET, support	1	-	EB15/6
EB6.81.4721	. . . BRACKET, support	1	-	EB15/7
EB6.81.1579	. . . BUS-BAR P10, interconnector assembly Attaching parts for EB6.81.1579 :-	1	-	EB15/8
A25-6E	. . . Bolt, 1/4" BSF	2	-	EB15/9
AGS2001E1/66	. . . Nut, stiff 1/4" BSF	2	-	EB15/10
SP13E	. . . Washer, 1/4"	2	-	EB15/11
EB6.81.4943	. . . BUS-BAR, P3, assembly	1	-	EB15/12
EB6.81.4945	. . . BUS-BAR, P4, assembly Attaching parts for EB6.81.4943 and EB6.81.4945 :-	1	-	EB15/13
EB6.81.4779	. . . Bolt, special	1	-	EB15/14
EB6.81.4713	. . . Washer, bearing	1	-	EB15/15
EA9.81.2403	. . . Washer, contact	1	-	EB15/16
SP56G	. . . Washer, spring	1	-	EB15/17
EB7.81.1221	. . . CABLE, ASSEMBLY, E21, from MEP to earth Attaching parts for EB7.81.1221 :-	1	-	EB15/18
A25/3G	. . . Bolt, 5/16" BSF	1	-	EB15/19
AGS2001G1	. . . Nut, 5/16" BSF	1	-	EB15/20
AGS2001J4	. . . Nut, 3/8" BSF	2	-	EB15/21
EB7.81.1007	. . . Stud, earth	1	BS249	EB15/22
SP122G	. . . Washer, 5/16"	1	-	EB15/23
EEAS2833EP	. . . Washer	2	-	EB15/24
EB6.81.1099	. . . CABLE, ASSEMBLY, F33 to plug bracket to bus-bar panel	1	-	
EB6.81.559	. . . CABLE, ASSEMBLY, F34B	1	-	
EB6.81.561	. . . CABLE, ASSEMBLY, F34C	1	-	
5CY4376383	. . . CIRCUIT-BREAKER, type A3 Attaching parts for 5CY/4376383 :-	2	-	EB15/25
A44A6	. . . Screw, round head, 6BA	2	-	EB15/26
EB6.81.3729	. . . CLAMP, half, cable	2	-	EB15/27
EB6.81.4939	. . . CLAMP, half, cable Attaching parts for EB6.81.3729 and EB6.81.4939 :- (per pair) :-	2	-	EB15/28
A25/25C	. . . Bolt, 2BA	2	-	EB15/29
SP13C	. . . Washer, 2BA	2	-	EB15/30
EG4.81.549	. . . CONNECTOR, bus-bar, P10 Attaching parts for EG4.81.549 :-	1	-	EB16/17
AGS2002C4	. . . Nut, 4BA	2	-	EB16/18
EG4.81.1171	. . . Stud	2	-	EB16/19
EG4.81.725	. . . Washer	2	-	EB16/20
EG4.81.731	. . . COVER, assembly	1	-	EB16/20A
CX133877	. . . COVER, moulded	2	-	EB16/31
HELLERMANN				
AS2674	. . . FERRULE, cable, 24 amp	6	-	
AS2673	. . . FERRULE, cable, 12 amp	4	-	
10H1047920	. . . FUSE, dummy, type S (Pre Mod 5438)	5	-	
10H1047920	. . . FUSE, dummy, type S (Mod 5438)	14	-	
TIS40	. . . FUSE, 40 amp, type HRC (Pre Mod 5438)	2	-	
10H1043046	. . . FUSE, 20 amp, type AS (Mod 5438)	1	-	
10H9718191	. . . FUSE, 10 amp, type AS HRC (Pre Mod 5438)	4	-	
10H9718191	. . . FUSE, 10 amp, type AS HRC (Mod 5438)	11	-	
10H9463981	. . . FUSE, 5 amp, type AS HRC (Pre Mod 5438)	2	-	
10H9463981	. . . FUSE, 5 amp, type AS HRC (Mod 5438)	5	-	
10H1043043	. . . FUSE, 2.5 amp, type AS HRC	1	-	
EA9.81.971	. . . LABEL, 'field C/B's'	1	-	EB15/32

ELECTRICAL
ELECTRICAL EQUIPMENT IN FRONT FUSELAGE

Part Number	Description	No. Off	Mtrl. Spec.	Plate No.
EEAS71/2	. . . LINK, commoning, 3 - way	1	-	
703-2-00259	. . . LINK, commoning, 10 - way	1	-	
703-2-00251	. . . LINK, commoning, 2 - way	12	-	
EB7.81.1041	. . . LINK, copper	2	-	EB16/21
	Attaching parts for EB7.81.1041 :-			
AGS2002E4	. . . Nut, 1/4" BSF	1	-	EB16/22
AGS2002C4	. . . Nut, 2BA	1	-	EB16/23
EB7.81.1011	. . . Stud, 1/4"	1	-	EB16/24
EG4.81.1171	. . . Stud, 2BA	1	-	EB16/25
EB7.81.1035	. . . Washer	1	-	EB16/26
AS2721-C	. . . Washer	1	-	EB16/27
HC1189	. . . LUG, cranked, 6 amp, 4BA	9	-	
HC326G	. . . LUG, 35 amp, 6BA	4	-	
HC296	. . . LUG, 6 amp, 6BA	48	-	
HC306A	. . . LUG, 6 amp, 6BA	3	-	
CPL98-01-1F	. . . LUG, 150 amp, 1/4"	1	-	
CPL98-01-1A	. . . LUG, 150 amp, 5/16"	1	-	
5CZ4350503	. . . LUG, 24 amp, 4BA	4	-	
HC4212	. . . LUG, 24 amp, 3/8"	2	-	
HC292	. . . LUG, 6 amp, 2BA	7	-	
HC294D	. . . LUG, 6 amp, 4BA	16	-	
HC4012	. . . LUG, 6 amp, 3/8"	4	-	
HC4010	. . . LUG, 6 amp, 5/16"	2	-	
HELLERMANN				
HC304	. . . LUG, 6 amp, 4BA	4	-	
EB6.81.4881	. . . PANEL, GENERATOR TEST, ASSEMBLY	1	-	EB17/1
	Spares for :-			
EB6.81.4879	. . . PANEL, generator test	1	-	EB17/2
5CY4376392	. . . SOCKET, 3 pole, 2 amp	2	-	EB17/3
	Attaching parts for Ref. 5CY/4376392 :-			
AGS2002B1	. . . Nut, 4BA	3	-	EB17/4
A33B14	. . . Screw, 4BA	3	-	EB17/5
SP13B	. . . Washer, 4BA	3	-	EB17/6
XD783	. . . SWITCH, DP	2	-	EB17/7
	Attaching parts for XD783:-			
A32B12	. . . Screw, 4BA	4	-	EB17/8
AGS2035B	. . . Washer	4	-	EB17/8A
	Attaching parts for EB6.81.4881 :-			
A31B16	. . . Screw, 4BA, cheese head	4	-	EB17/9
SP13B	. . . Washer, 4BA	4	-	EB17/10
EB6.81.3171	. . . PANEL, AFT, assembly	1	-	EB17/11
	Spares for :-			
EB6.81.4845	. . . MOUNTING, fuse block, assembly	1	-	EB17/12
	Spares for :-			
EB6.81.3723	. . . BLOCK, FUSE, ASSEMBLY	1	-	EB17/13
	Spares for :-			
703-1-00416	. . . BLOCK, fuse	1	-	EB17/14
EB6.81.3727	. . . LABEL	1	-	EB17/15
	Attaching parts for EB6.81.3723 :-			
A45B6	. . . Screw, 4BA	2	-	EB17/16

ELECTRICAL
ELECTRICAL EQUIPMENT IN FRONT FUSELAGE

Part Number	Description	No. Off	Matl. Spec.	Plate No.
EB6.81.3721 BLOCK, FUSE, ASSEMBLY	1	-	EB17/17
703-1-00416 Spares for :- BLOCK, fuse	1	-	EB17/18
EB6.81.3721 LABEL	1	-	EB17/19
A45B6 Attaching parts for EB6.81.3721 :- Screw, 4BA	2	-	EB17/19A
EA9.81.4205 PLATE, fuse block mounting Attaching parts for EB6.81.4845 :-	1	-	EB17/20
A31B16 Screw, 4BA, cheese head	4	-	EB17/21
SP13B Washer, 4BA	4	-	EB17/22
EB6.81.3173 PANEL, AFT, SUB-ASSEMBLY	1	-	EB17/23
EB6.81.3183 Spares for :- BLOCK, mounting	2	-	EB17/24
EB6.81.3185 BLOCK, mounting	4	-	EB17/25
EB7.81.865 BLOCK, mounting	4	-	EB17/26
EB6.81.3189 LABEL, No.1 generator	1	-	EB17/27
EB6.81.3191 LABEL, No.2 generator	1	-	EB17/28
EB6.81.3175 PANEL, aft	1	-	EB17/29
F6701 SWITCH, magnetic, type 188 Attaching parts for F6701 :-	2	-	EB17/30
A31B20 Screw, 4BA, cheese head	4	-	EB17/31
SP13B Washer, 2BA	4	-	EB17/32
F6801 SWITCH, magnetic, type 198 Attaching parts for F6801 :-	2	-	EB17/33
A25/5C Bolt, 2BA	4	-	EB17/34
SP13C Washer, 2BA	4	-	EB17/35
5UC1054116 TRIMMER, remote resistance Attaching parts for 5UC/1054116 :-	2	-	EB17/36
A32B28 Screw, 4BA, round head	2	-	EB17/37
A25/5C Attaching parts for EB6.81.3171 :- Bolt, 2BA	6	-	EB17/38
A25/5E Bolt, 1/4" BSF	4	-	EB17/39
EB6.81.3165 PANEL, FORWARD, ASSEMBLY	1	-	EB18/1
5CY4376087 Spares for :- BREAKER, circuit, type D2B Attaching parts for Ref. 5CY/4376087 :-	1	-	EB18/2
A25/24C Bolt, 2BA	4	-	EB18/3
EA9.81.2433 Piece, distance	8	-	EB18/4
SP13C Washer	4	-	EB18/5
LEA300B2/1 or LEA300B4 BREAKER, circuit, reverse current BREAKER, circuit, reverse current Attaching parts for LEA300B2/1 or LEA300B4 :-	2 2	-	EB18/6
A25/1C Bolt, 2BA	4	-	EB18/7
AS3180/6B CLIP	2	-	EB18/8
AS3180/10B CLIP	1	-	EB18/9
AS3180/12B CLIP	1	-	EB18/10
A32B16 Attaching parts for AS3180/6B, AS3180/10B and AS3180/12B :- Screw, 4BA, round head	1	-	EB18/11
SP13B Washer, 4BA	1	-	EB18/12

ELECTRICAL
ELECTRICAL EQUIPMENT IN FRONT FUSELAGE

Part Number	1 2 3 4 5 6	Description	No. Off	Mati. Spec.	Plate No.
EA9.81.2409	CONNECTOR, bus-bar	1	-	EB18/13
EA3.81.2405	CONNECTOR, bus-bar	1	-	EB18/14
EA9.81.2411	CONNECTOR, bus-bar	1	-	EB18/15
EA9.81.2415	CONNECTOR, bus-bar	1	-	EB18/16
		Attaching parts for EA9.81.2409, EA9.81.2405, EA9.81.2411 and EA9.81.2415 :-			
A25/6E	Bolt, 1/2" BSF	QR	-	EB18/17
A27EP	Nut, 1/2" BSF	QR	-	EB18/18
SP13E	Washer, 1/2"	QR	-	EB18/19
SP47E	Washer, 1/4" spring	QR	-	EB18/20
EA9.81.2357	COVER, assembly	1	-	EB18/21
		Attaching parts for EA.9.81.2357 :-			
A32C16	Screw, 2BA, round head	3	-	EB18/22
EA9.81.2371	COVER, end, assembly	1	-	EB18/23
		Attaching parts for EA9.81.2371 :-			
A32B14	Screw, 4BA, round head	1	-	EB18/24
A32B20	Screw, 2BA, round head	1	-	EB18/25
EA9.81.2369	COVER, top	1	-	EB18/26
		Attaching parts for EA9.81.2369 :-			
A32B14	Screw, 4BA, round head	4	-	EB18/27
AGS2035B	Washer, shakeproof	4	-	EB18/28
EB7.81.967	LABEL, 'inverter 201'	1	-	EB18/29
EB7.81.947	LABEL, 'accumulator positive'	1	-	EB18/30
		Attaching parts for EB7.81.967 and EB7.81.947:-			
4R X 3/16"	Screw, P.K.	4	-	EB18/31
EB7.81.969	LABEL, 'warning'	1	-	EB18/32
EA9.81.2407	LINK, reverse current	1	-	EB18/33
		Attaching parts for EA9.81.2407 :-			
A27GT	Nut, thin	4	-	EB18/34
EA9.81.2403	Washer, contact	4	-	EB18/35
EB6.81.10155	PANEL, FORWARD, SUB-ASSEMBLY	1	-	EB18/36
		Spares for :-			
EA9.81.821	BLOCK, mounting	2	-	EB18/37
EB7.81.865	BLOCK, mounting	8	-	EB18/38
EB8.81.2377	LABEL, 'crash relays'	1	-	EB18/39
EA9.81.5583	PANEL, forward	1	-	EB18/40
EA9.81.2365	PLUG, EXTERNAL SUPPLY, ASSEMBLY	1	-	EB18/41
		Spares for :-			
EB7.81.873	BRACKET	1	-	EB18/42
EA9.81.2417	CONNECTOR, bus-bar	1	-	EB18/43
EA9.81.2367	COVER, side	1	-	EB18/44
		Attaching parts for EA9.81.2367 :-			
A33B24	Screw, 4BA, csk. head	2	-	EB18/45
EA9.81.869	COVER, side, aft	1	-	EB18/46
		Attaching parts for EA9.81.869 :-			
A33B14	Screw, 4BA, csk. head	2	-	EB18/47
EL35659	PLUG, power supply	1	-	EB18/48
		Attaching parts for EL35659 :-			
AS1248/6C	Bolt, 2BA, mush. head	2	-	EB18/49

ELECTRICAL

ELECTRICAL EQUIPMENT IN FRONT FUSELAGE

Part Number	Description	No. Off	Mtl. Spec.	Plate No.
EA9.81.891 STRIP, negative	1	-	EB18/50
EA9.81.2419 WASHER, spacing	1	-	EB18/51
A31B16 Attaching parts for EA9.81.2365:- Screw, 4BA, cheese head	4	-	EB18/52
R 5CW/4405610 RELAY, type 'R'	1	-	EB18/53
80-10-2016 RELAY, type 'R' Attaching parts for 5CW/4405610 or 80-10-2016:-	1	-	
A25/24C Bolt, 2BA	4	-	EB18/54
EA9.81.2433 Piece, distance	8	-	EB18/55
SP13C Washer	4	-	EB18/56
R 5CW/3945 RELAY, type S4	2	-	EB18/57
R A31B20 Attaching parts for 5CW/3945:- Screw, 4BA, cheese head	4	-	EB18/58
EA9.81.951 TERMINAL, EARTH, INSULATED Spares for:-	2	-	EB18/59
EA9.81.953 BASE, earth terminal	1	-	EB18/60
AGS2001C4 NUT, stiff, 2BA	1	-	EB18/61
A54C NUT, thin, 2BA	1	Brass	EB18/62
A43C32 SCREW, cheese head, 2BA	1	-	EB18/63
1210 WASHER, lock 2BA	2	-	EB18/64
A33B20 Attaching parts for EA9.81.951:- Screw, 4BA, csk. head	2	-	EB18/65
A25/5E Attaching parts for EB6.81.3165:- Bolt, 1/4" BSF	8	-	EB18/66
EG4.81.2891 PANEL, BUS-BAR, ASSEMBLY Spares for:-	1	-	EB19/1
EB6.81.3107 BLOCK, fuse mounting, assembly Attaching parts for EB6.81.3107:-	1	-	EB19/2
EB6.81.2999 Block, packing	1	-	EB19/3
AS1246/14B Bolt, 4BA, round head	1	-	EB19/4
AS1246/15C Bolt, 2BA, round head	1	-	EB19/5
AGS2001C1/66 Nut, 2BA	1	-	EB19/6
SP13C Washer, 2BA	1	-	EB19/7
EB6.81.3109 BLOCK, fuse mounting, assembly Attaching parts for EB6.81.3109:-	1	-	EB19/8
EB6.81.2997 Block, packing	1	-	EB19/9
AS1246/14B Bolt, 4BA, round head	2	-	EB19/10
EG4.81.847 BLOCK, fuse mounting, assembly Attaching parts for EG4.81.847:-	1	-	EB19/11
EB6.81.3357 Block, packing	1	-	EB19/12
AS1246/14B Bolt, 4BA, round head	6	-	EB19/13
EB6.81.2977 BLOCK, fuse mounting, assembly Attaching parts for EB6.81.2977:-	1	-	EB19/14
EB6.81.3355 Block, packing	1	-	EB19/15
AS1246/16B Bolt, 4BA, round head	6	-	EB19/16

ELECTRICAL

ELECTRICAL EQUIPMENT IN FRONT FUSELAGE

Part Number	Description	No. Off	Matl. Spec.	Plate No.
AS2654 BLOCK, connector Attaching parts for AS2654:--	1	-	EB19/17
EB7.81.1033 Packing	1	-	EB19/18
A31B36 Screw, 4BA	2	-	EB19/19
AS2721 Washer	2	-	EB19/20
EG4.81.3167 BLOCK, FUSE, ASSEMBLY Spares for:--	1	-	EB19/21
703-1-00416 BLOCK, fuse	1	-	EB19/22
EG4.81.3177 LABEL Attaching parts for EG4.81.3167:--	1	-	EB19/23
A31B10 Screw, 4BA	2	-	EB19/24
1206 Washer, lock	2	-	EB19/25
EG4.81.3169 BLOCK, FUSE, ASSEMBLY Spares for:--	1	-	EB19/26
R 703-1-00416 BLOCK, fuse	1	-	EB19/76
R EG4.81.3179 LABEL Attaching parts for EG4.81.3169:--	1	-	EB19/77
R A31B10 Screw, 4BA	2	-	EB19/78
R 1206 Washer, lock	2	-	EB19/79
EG4.81.3171 BLOCK, FUSE, ASSEMBLY Spares for:--	1	-	EB19/27
R 703-1-00416 BLOCK, fuse	1	-	EB19/80
R EG4.81.3181 LABEL Attaching parts for EG4.81.3171:--	1	-	EB19/81
R A31B10 Screw, 4BA	2	-	EB19/82
R 1206 Washer, lock	2	-	EB19/83
EG4.81.3173 BLOCK, FUSE, ASSEMBLY Spares for:--	1	-	EB19/28
R 703-1-00416 BLOCK, fuse	1	-	EB19/84
R EG4.81.3183 LABEL Attaching parts for EG4.81.3173:--	1	-	EB19/85
R A31B10 Screw, 4BA	2	-	EB19/86
R 1206 Washer, lock	2	-	EB19/87
EG4.81.3175 BLOCK, FUSE, ASSEMBLY Spares for:--	1	-	EB19/29
R 703-1-00416 BLOCK, fuse	1	-	EB19/88
R EG4.81.3185 LABEL Attaching parts for EG4.81.3175:--	1	-	EB19/89
R A31B10 Screw, 4BA	2	-	EB19/90
R 1206 Washer, lock	2	-	EB19/91
PLESSEY				
703-1-00249 BLOCK, terminal, 20-way Attaching parts for 703-1-00249:--	3	-	EB19/30
703-2-00267 Pillar, fixing	QR	-	EB19/31
703-2-00268 Pillar, fixing	QR	-	EB19/32
AGS2035B Washer, 4BA, shakeproof	QR	-	EB19/33
EB6.81.2943 BUS-BAR, P10	1	-	EB19/34
EG4.81.851 BUS-BAR, P10	1	-	EB19/35
EA1.81.542 CARRIER, spare fuse Attaching parts for EA1.81.542:--	1	-	EB19/36
AGS2002A1 Nut, 6BA	2	-	EB19/37
A31A14 Screw, 6BA	2	-	EB19/38

ELECTRICAL
ELECTRICAL EQUIPMENT IN FRONT FUSELAGE

Part Number	1 2 3 4 5 6	Description	No. Off	Mati. Spec.	Plate No.
EB7.81.1013	. . .	CLEAT	2	-	EB19/39
		Attaching parts for EB7.81.1013 :-			
A25/158	. . .	Bolt, 4BA	2	-	EB19/40
SP15B	. . .	Washer, 4BA	2	-	EB19/41
EB6.81.1627	. . .	CONNECTOR, bus-bar	1	-	EB19/42
EB6.81.1625	. . .	CONNECTOR, bus-bar	1	-	EB19/43
		Attaching parts for EB6.81.1625 :-			
A25/7E	. . .	Bolt, 1/4" BSF	2	-	EB19/44
AGS2001E4	. . .	Nut, 1/4" BSF	2	-	EB19/45
SP13E	. . .	Washer, 1/4"	2	-	EB19/46
PLESSEY					
703-1-00266	. . .	COVER, terminal block	2	-	EB19/47
AS2655	. . .	COVER, connector block	1	-	EB19/48
EB6.81.3083	. . .	COVER, ASSEMBLY	1	-	EB19/49
		Spares for :-			
EB6.81.1633	. . .	BLOCK, cover	5	-	EB19/50
EB6.81.3085	. . .	COVER	1	-	EB19/51
EB6.81.1635	. . .	SCREW, cover	5	-	EB19/52
AGS2035B	. . .	WASHER, shakeproof	5	-	EB19/53
EB6.81.3001	. . .	COVER, assembly	1	-	EB19/54
		Spares for :-			
EB6.81.3091	. . .	COVER	1	-	EB19/55
EB6.81.3095	. . .	PILLAR	1	-	EB19/56
EB6.81.3097	. . .	PILLAR	1	-	EB19/57
		Attaching parts for EB6.81.3001 :-			
AS4566/5B	. . .	Bolt	1	-	EB19/58
AS4566/9B	. . .	Bolt	1	-	EB19/59
AS3180/12C	. . .	CLIP, 'P'	1	-	EB19/60
		Attaching parts for AS3180/12C :-			
AGS2001B1	. . .	Nut, 4BA	1	-	EB19/61
A32B16	. . .	Screw, 4BA	1	-	EB19/62
10H1047920	. . .	FUSE, dummy	11	-	
TFP160	. . .	FUSE, 160 amp	2	-	
AP19266	. . .	FUSE, type HRC, 80 amp	2	-	
AP19265	. . .	FUSE, type HRC, 60 amp	1	-	
AP19264	. . .	FUSE, type HRC, 40 amp	2	-	
115/111/T	. . .	FUSE, type HRC, 115 amp	1	-	
10H1043046	. . .	FUSE, type AS, 20 amp	3	-	
10H9718191	. . .	FUSE, type AS, 10 amp	7	-	
10H9463981	. . .	FUSE, type AS, 5 amp	7	-	
AS19275	. . .	FUSE, type HRC, 100 amp	2	-	
EG4.81.3165	. . .	LABEL, 'fuse No. 4'	1	-	
EG4.81.3159	. . .	LABEL, 'inverter No. 5 fuse No. 171'	1	-	
EG4.81.3161	. . .	LABEL, 'inverter No. 6 fuse No. 172'	1	-	
EG4.81.3163	. . .	LABEL, 'fuse No. 170'	1	-	
EB6.81.1621	. . .	LABEL, '20 amp - 10 amp - 5 amp'	1	-	
EB6.81.3719	. . .	LABEL, '5 - 20, 173 - 176'	1	-	
EB7.81.1017	. . .	LABEL, 'E.C.P. supply fuse No. 1'	1	-	
EB7.81.1019	. . .	LABEL, 'E.C.P. supply fuse No. 2'	1	-	
EB6.81.2981	. . .	LABEL, 'inverter No. 8 - fuse No. 187'	1	-	
EB6.81.2979	. . .	LABEL, 'radio - fuse No. 188'	1	-	
EB6.81.3353	. . .	LABEL, 'radio - fuse No. 189'	1	-	
EB7.81.1021	. . .	LABEL, 'tail trim fuse No. 3'	1	-	

ELECTRICAL
ELECTRICAL EQUIPMENT IN FRONT FUSELAGE

Part Number	1 2 3 4 5 6	Description	No. Off	Matl. Spec.	Plate No.
EB7.81.1039		LINK, copper	2	-	
EB7.81.1041		LINK, copper	10	-	
AGS2001E4		NUT, 1/4" BSF	16	-	EB 19/63
AGS2001G4		NUT, 5/16" BSF	23	-	EB 19/64
EB6.81.3347		PANEL, BUS-BAR, SUB-ASSEMBLY	1	-	EB 19/65
		Spares for :-			
EB6.81.2987		PANEL, bus-bar	1	-	EB 19/66
EB6.81.2969		PLATE, insulating	1	-	EB 19/67
EB7.81.1009		STUD, 5/16"	20	BS249	EB 19/68
EB7.81.1011		STUD, 1/4"	16	BS249	EB 19/69
EB6.81.4787		STUD, 5/16"	2	BS249	EB 19/70
EEAS28/32/DW		WASHER	2	-	EB 19/71
AS2721		WASHER, 5/16" contact	19	-	EB 19/72
EB7.81.1035		WASHER, 1/4"	16	-	EB 19/73
		Attaching parts for EG4.81.2891:-			
A25/4C		Bolt, 2BA	8	-	EB 19/74
SP13C		Washer	8	-	EB 19/75
EG4.81.479		PANEL, AUXILIARY BUS-BAR, ASSEMBLY	1	-	EB 16/28
		Spares for :-			
EA3.81.1771		PACKING	2	-	EB 16/29
EG4.81.477		PANEL, auxiliary bus-bar	1	-	EB 16/30
EG4.81.483		PLATE, insulating	1	-	EB 16/31
		Attaching parts for EG4.81.479 :-			
AS1248/4C		Bolt, 2BA	2	-	EB 16/32
EEAS146A		SLEEVE, 3/8"	QR	-	
EEAS146A		SLEEVE, 1/2"	QR	-	
EEAS146A1		SLEEVE, 3/4"	QR	-	
EEAS146C		SLEEVE, 1/2"	QR	-	
EEAS146G		SLEEVE, 3/4"	QR	-	
AS2696		SOCKET, adaptor	2	-	
AS2697		SOCKET, adaptor	2	-	
NY18007A		STRAP	QR	-	
NY3342		STUD	QR	-	
HELLERMANN					
HC510		TAG, QR, 24 amp	QR	-	
HC500		TAG, QR, 12 amp	QR	-	
HC490		TAG, QR, 6 amp	QR	-	
HC312		TAG, RT, 2BA	1	-	
EG4.81.139		PANEL, STARTER, ASSEMBLY	1	-	EB 20/1
		Spares for :-			
PLESSEY					
703/2/00244		BLOCK, terminal 10 - way	1	-	EB 20/2
		Attaching parts for 703/2/00244:-			
AGS2001B1		Nut, 4BA	2	-	EB 20/3
A32B44		Screw, 4BA, round head	2	-	EB 20/4
AS2810/4/05		Tube, distance	2	-	EB 20/5
SP13B		Washer, 4BA	2	-	EB 20/5A
Unipren 6		CABLE, unipren 6	QR	-	
Unipren 12		CABLE, unipren 12	QR	-	
HELVYN					
HV3710		CAP, dolly	2	-	EB 20/25
HV3711		CAP, dolly	3	-	EB 20/26
Z1719		GROMMET	1	-	EB 20/58

AP1018-0415-3A

ELECTRICAL
ELECTRICAL EQUIPMENT IN FRONT FUSELAGE

Part Number	Description	No. Off	Mati. Spec.	Plate No.
703-2-00252	. . LINK, connecting, 3 - way	1	-	
HC304C	. . LUG	2	-	
or				
5X9462745	. . LUG, pren cable, Mk.4, 12 amp	2	-	
R 508-1-06399	. . PLUG, size 'B'	2	-	EB20/6
R 508-1-06413	. . PLUG, size 'D'	1	-	EB20/7
R Type FKX/A1	. . RESISTOR, 10 ohm	1	-	EB20/8
	Attaching parts for Type FKX/A1 :-			
R AGS2001C1/66	. . Nut, 2BA	3	-	EB20/9
R A31C16	. . Screw, 2BA, cheese head	3	-	EB20/10
R SP13C	. . Washer, 2BA	3	-	EB20/10A
EEAS146A1	. . SLEEVE	QR	-	
508-2-11232-002	. . SLEEVE, 4 - 7 amp	18	-	
508-2-11231-002	. . SLEEVE, 7 - 19 amp	2	-	
R XD789	. . SWITCH, DP C/O	2	-	EB20/11
	Attaching parts for XD789 :-			
R A32B12	. . Screw, 4BA, round head	4	-	EB20/12
R AGS2035B	. . Washer, shakeproof	4	-	EB20/12A
R EEAS28/2EP	. . Washer, packing	8	-	EB20/12B
R FJB/A3	. . SWITCH, cartridge selector, Mk. 2	2	-	EB20/13
	Attaching parts for FJB/A3 :-			
R A32B12	. . Screw, 4BA, round head	4	-	EB20/14
R 1206	. . Washer, shakeproof	4	-	EB20/14A
R FJB/A5	. . SWITCH, cartridge selector (Alternative to FJB/A3)	2	-	EB20/15
R XD778	. . SWITCH, SP C/O	3	-	EB20/16
	Attaching parts for XD778 :-			
R A32B12	. . Screw, 4BA, round head	2	-	EB20/17
R 1206	. . Washer, shakeproof	2	-	EB20/18
R EEAS28/2EP	. . Washer, packing	4	-	EB20/18A
PLESSEY				
703-2-00316-020	. . TAG, QR, 7 amp	8	-	
703-2-00315-020	. . TAG, QR, 4 amp	4	-	
703-2-00340-020	. . THIMBLE, 7 amp	8	-	
703-2-00339-020	. . THIMBLE, 4 amp	4	-	
	Attaching parts for EG4.81.139 :-			
R AGS2001B1	. . Nut, stiff, 4BA	4	-	EB20/23
R A33B12	. . Screw, 4BA	4	-	EB20/24

ELECTRICAL
ELECTRICAL EQUIPMENT IN FRONT FUSELAGE

Part Number	Description 1 2 3 4 5 6	No. Off	Matl. Spec.	Plate No.

ELECTRICAL
ELECTRICAL EQUIPMENT IN FRONT FUSELAGE

Part Number	Description	No. Off	Mati. Spec.	Plate No.
EG4.81.2879	PANEL, TAKE-OFF, INSTALLATION Spares for :-	-	-	EB22A/1
EG4.81.2881	PANEL, TAKE-OFF, ASSEMBLY Spares for :-	1	-	EB22A/2
HELLERMANN HV3711	CAP, helvin dolly	19	-	EB22A/3
EB7.81.1171	COVER Attaching parts for EB7.81.1171 :-	1	-	EB22A/4
AGS2002B1	Nut, stiff, 4BA	4	-	EB22A/5
A32B10	Screw, 4BA	4	-	EB22A/6
EB7.81.1173	Strip, clamp	1	-	EB22A/7
EB6.81.4911	GUARD, engraved	2	-	EB22A/8
EB6.81.893	LABEL	2	-	EB22A/9
EB6.81.4905	PANEL, take-off, engraved	1	-	EB22A/10
SCB79369	PLATE, engraved (SRIM, 3533)	1	-	EB22A/11
PLESSEY CZ50358	PLUG, size B	1	-	EB22A/12
508/1/06413	PLUG, size D	2	-	EB22A/13
508/1/40089/320	PLUG, Mk. 4	1	-	EB22A/14
508/1/06396	PLUG, single, (climatic proof)	1	-	EB22A/15
EEAS146A	SLEEVE, 3/4" long	QR	-	
EEAS146A1	SLEEVE, 3/4" long	QR	-	
EEAS146C	SLEEVE, 3/4" long	QR	-	
508/1/11231/002	SLEEVE, cable, 7 - 19 amp	2	-	
7321B103	SWITCH, single pole	1	-	EB22A/16
7360B102 or 7360K7	SWITCH, double pole	1	-	EB22A/17
8295B109	SWITCH, double pole	1	-	EB22A/18
8295B109	SWITCH, single pole	6	-	EB22A/19
8375B106	SWITCH, double pole	10	-	EB22A/20
8810B104	SWITCH, N.S.F. (SRIM 3533)	1	-	EB22A/21
HC296	TAG, R.T.	QR	-	
HC306	TAG, R.T.	QR	-	
EEAS43/2	WASHER	1	-	EB22A/22
EB7.81.259	WASHER, packing Attaching parts for EG4.81.2881 :-	19	-	EB22A/23
A25/1C	Bolt, 2BA	1	-	EB22A/24
EB7.81.955	Packing, langite	1	DTD789	EB22A/25
EB7.81.957	Packing, langite	1	DTD789	EB22A/26
A32C16	Screw, 4BA	3	-	EB22A/27
SCC79372	PANEL, test socket (SRIM 3533)	1	-	
EG4.80.1161	PLATE, VOLTAGE REGULATOR MOUNTING, INSTALLATION Spares for :-	-	-	EB24/29
EG4.80.1163	PLATE, mounting Attaching parts for EG4.80.1163 :-	1	-	EB24/30
A25/1C	Bolt, 2BA	4	-	EB24/31
AGS2001C1/66	Nut, stiff, 2BA	4	-	EB24/32
EG4.81.2845	PLUGS, SOCKETS AND BUNGS THROUGH PRESSURE BULKHEAD Spares for :-	-	-	EB21/1
10H9321715	ADAPTOR, bulkhead, type N	1	-	EB21/2
CM0519/4	BLOCK, mounting (Com Mod 0519)	1	-	EB21/3
A25/1B	BOLT, 4BA	32	-	EB21/4
A25/8B	BOLT, 4BA	2	-	EB21/5
AS1246/2B	BOLT, 4BA	40	-	EB21/6
AS1248/2B	BOLT, 4BA	2	-	EB21/7
5X4491582	BUNG, pressure, size D	2	-	EB21/8
5X4491713	BUNG, pressure, size B	2	-	EB21/9
5X4500615	BUNG, pressure, size A	1	-	EB21/10
PLESSEY 508-1-41036	CAP, protective, Mk. 4 (Mod 5195)	2	-	EB21/11
508-1-41037	CAP, protective, Mk. 4 (Mod 5195)	4	-	EB21/12
10H9514738	CONNECTOR	1	-	EB21/13
EEAS150/1	GASKET	4	-	EB21/14
EEAS150/3	GASKET	2	-	EB21/15
AGS2001B1	NUT, 2BA	76	-	EB21/16
CM0510/5	PLATE, mounting (Com Mod 0519)	1	-	EB21/17

ELECTRICAL
ELECTRICAL EQUIPMENT IN FRONT FUSELAGE

Part Number	Description	No. Off	Mati. Spec.	Plate No.
PLESSEY				
5X6008	. . . PLUG, bulkhead, size A	1	-	EB21/18
5X6018	. . . PLUG, bulkhead, size Z	3	-	EB21/19
5X4500375	. . . PLUG, bulkhead, size Z	2	-	EB21/20
5X6038	. . . PLUG, bulkhead, size B	2	-	EB21/21
R 5X6422	. . . PLUG, bulkhead, size B	1	-	EB21/22
5X4500384	. . . PLUG, bulkhead, size D	3	-	EB21/23
R 5X6063	. . . PLUG, bulkhead, size B	1	-	EB21/24
10H5905326	. . . PLUG, co-axial	2	-	EB21/25
R 508/1/40189/320	. . . PLUG, socket, Mk. 4, 12-way	1	-	EB21/26
10H5900517	. . . PLUG, socket, Mk. 4	1	-	EB21/27
10H19445	. . . PLUG, socket, Mk. 4	1	-	EB21/28
10H6225764	. . . PLUG, socket, Mk. 4	1	-	EB21/29
10H19452	. . . PLUG, socket, Mk. 4	1	-	EB21/32
10H19457	. . . PLUG, socket, Mk. 4	5	-	EB21/30
R 10AD1079866	. . . PLUG, socket, Mk. 4	1	-	EB21/31
R 10H19475	. . . PLUG, socket, Mk. 4	1	-	EB21/33
R 10AD9116831	. . . PLUG, socket, Mk. 4	4	-	EB21/34
R 10H19458	. . . PLUG, socket, Mk. 4	2	-	EB21/35
10H19487	. . . PLUG, socket, Mk. 4	2	-	EB21/36
10H9505644	. . . PLUG, socket, Mk. 4	1	-	EB21/37
10H19491	. . . PLUG, socket, Mk. 4	1	-	EB21/38
R 10H19493	. . . PLUG, socket, Mk. 4	4	-	EB21/39
508/1/07183/223	. . . PLUG, socket, Mk. 7	1	-	EB21/40
R 508/1/05577/003	. . . PLUG, filler, size 16	24	-	EB21/41
R 10H/20735	. . . SOCKET, plug, Mk. 4	1	-	EB21/42
R 10H/20415	. . . SOCKET, plug, Mk. 4	1	-	EB21/43
R 10H/20417	. . . SOCKET, plug, Mk. 4	1	-	EB21/44
10H9408599	. . . SOCKET, plug, Mk. 4	1	-	EB21/45
R 508/1/04585/001	. . . SOCKET, contact, size 16	24	-	EB21/46
R HAN3100E1456S	. . . SOCKET	1	-	EB21/47
HAN3100E24/28S	. . . SOCKET	1	-	EB21/48
R 10H0560042	. . . SOCKET, co-axial	3	-	EB21/49
10H9323124	. . . SOCKET, fixed	2	-	EB21/50
10H0130109	. . . SOCKET, fixed	1	-	EB21/51
508/2/15597/002	. . . WASHER, panel packing	1	-	EB21/52
SP13B	. . . WASHER, 4BA	44	-	EB21/53
418618/14	. . . RECEPTACLE, dummy	1	-	
BS115.B1.B-1C2	. . . RELAY	1	-	
	Attaching parts for BS115.B1-1C2 :-			
AS1246/1B	. . . Bolt, 4BA, round head	4	-	
AGS2001B1	. . . Nut, stiff 4BA	4	-	
SP15B	. . . Washer, 4BA	4	-	
R EL26326	. . . SUPPRESSOR, type B4	1	-	EB20/19
R AGS2001B1	Attaching parts for EL26326 :-			
	. . . Nut, stiff, 4BA	2	-	EB20/20
R 5CY4376043	. . . SUPPRESSOR, type P	2	-	EB20/21
R A31B16	Attaching parts for 5CY/4376043 :-			
	. . . Screw, 4BA	2	-	EB20/22
27N4526464	. . . SWITCH, inertia piston type Mk. 1	2	-	
	Attaching parts for 27N/4526464 :-			
AGS2001C1/66	. . . Nut, stiff 2BA	4	-	
EB6.81.2417	. . . Piece, packing	1	-	
A31C36	. . . Screw, 2BA	4	-	
5CW7118389	. . . SWITCH, magnetic relay type Q, No. 1	1	-	
	Attaching parts for 5CW/7118389			
AS1246/1B	. . . Bolt, 4BA	2	-	
SP15B	. . . Washer, 4BA	2	-	

ELECTRICAL
ELECTRICAL EQUIPMENT IN FRONT FUSELAGE

Part Number	Description	No. Off	Mati. Spec.	Plate No.
EAP2340	. SWITCH, torque	1	-	EB8/34
	Attaching parts for EAP2340 :-			
AGS2001B1	. Nut, stiff 4BA	4	-	EB8/35
A31B20	. Screw, 4BA	4	-	EB8/36
EG4.82.917	. TUNER, R.F. BONDING	-	-	
	Spares for :-			
EG4.82.919	. . STRIP, bonding	1	-	
	Attaching parts for EG4.82.919 :-			
A25/1C	. . Bolt, 2BA	1	-	
AGS2001C1/66	. . Nut, stiff, 2BA	1	-	
SP124C	. . Washer	3	-	
EG4.81.2877	. WIRING AND CLIPPING IN CABIN, ASSEMBLY	-	-	
	Spares for :-			
EB6.81.10149	. . BAG, EXTENSION LEAD STOWAGE, AND LABEL, INSTALLATION	-	-	
	Spares for :-			
5CX4350464	. . . BAG, extension lead, stowage	1	-	
	Attaching parts for Ref. 5CX/370 :-			
AS1248/1B	. . . Bolt, 4BA	3	-	
AGS2001B1	. . . Nut, stiff, 4BA	3	-	
SP15B	. . . Washer	6	-	
EA3.81.1675	. . . LABEL, extension lead stowage	1	-	
EB6.81.5189	. . . BAG, stowage, assembly	1	-	
EB6.81.5455	. . . BAG, stowage, assembly	1	-	
SIS1564	. . . BLOCK, terminal, type B	1	-	
	Attaching parts for SIS1564 :-			
AGS2001A1	. . . Nut, stiff, 6BA	1	-	
A33A24	. . . Screw, 6BA	1	-	
EB6.81.4005	. . . BRACKET	1	-	
EEAS136	. . . BRACKET	14	-	
EA1.81.252	. . . BRACKET, cable	2	-	
EA1.81.265	. . . BRACKET, cable	1	-	
EB6.81.769	. . . BRACKET, strap	2	-	
EB7.81.1543	. . . BRACKET, strap	1	-	
EG4.81.2859	. . . CANOPY AND HATCH JETTISON SYSTEM	-	-	
	Spares for :-			
5J9101543	. . . ACCUMULATOR, 12V, 4 amp	2	-	
WARD BROOKE	. . . BLOCK, terminal, 6-way	1	-	
WBUN1146D3W	. . . BOX, FILTER, ASSEMBLY (SRIM 3533) (MOD 4799)	10	-	
EG7.81.3111	Spares for :-			
EG7.81.3125 LID, ASSEMBLY	1	-	
	Spares for :-			
EEAS250/6 BOLT, special, 4BA	4	-	
EG7.81.3167 LID, sub-assembly	1	-	
EG7.81.3135 PIECE, insulating	1	-	
SP13B WASHER	4	-	
EB2.81.1525 WASHER, retaining	4	-	
EG7.81.3113 MODULE, ASSEMBLY	1	-	
	Spares for :-			
WBUN1146S2W BLOCK, terminal	1	-	
	Attaching parts for WBUN1146S2W :-			
AGS2001B1 Nut, stiff, 4BA	2	-	
WB1114/28 Pillar, fixing	2	-	
SP15B Washer	2	-	

AP101B-0415-3A

ELECTRICAL
ELECTRICAL EQUIPMENT IN FRONT FUSELAGE

Part Number	Description						No. Off	Matl. Spec.	Plate No.
	1	2	3	4	5	6			
EG7.81.1571	1	-	
AGS2002B1	4	-	
A32B40	4	-	
A44B6	2	-	
AS2810/4/070	4	-	
AGS2037B	6	-	
EG7.81.1523	1	-	
AGS2002B4	2	-	
A33B12	2	-	
SP15B	2	-	
EG7.81.1531	1	-	
EG7.81.1539	1	-	
EG7.81.1533	1	-	
SP93C4	1	-	
OXLEY			
10H0120202	8	-	
EG7.81.1537	1	-	
5UC0113276	8	-	
or									
10W0140413	8	-	
WARD BROOKE			
WBNY1110B2	1	-	
ERIE			
ELECTRONICS			
1215/000	2	-	
or									
1215/025	2	-	
or									
9215/300/0025	2	-	
SP93B8	1	-	
AGS2002C4	12	-	
EG7.81.3121	1	-	
EG7.81.3029	2	-	
EG7.81.3197	12	-	
A43B8	12	-	
EEAS146/20	QR	-	
WB1114/23	2	-	
EG7.81.1585	1	-	
HC294	2	-	
SP25C	12	-	
10AC9469795	12	-	
A32A12	4	-	
A32B12	1	-	
A33A10	2	-	
SP13A	4	-	
SP13B	1	-	
EG7.81.3115	1	-	
AS1242/1C	2	-	
AGS2001C1/66	6	-	
SCB79264	1	L72	
EA1.81.943	4	-	
SP15C	6	-	

R

ELECTRICAL
ELECTRICAL EQUIPMENT IN FRONT FUSELAGE

Part Number	Description	No. Off	Mati. Spec.	Plate No.
EG7.81.3139 BOX, FILTER, ASSEMBLY (SRIM.3533)	1	-	
EG7.81.3143 Spares for: - LID, ASSEMBLY	1	-	
EEAS250/6 Spares for: - BOLT, special, 4BA	4	-	
EG7.81.3165 LID, sub-assembly	1	-	
EG7.81.3155 PIECE, insulating	1	-	
SP13B WASHER	4	-	
EB2.81.1525 WASHER, retaining	4	-	
EG7.81.3141 MODULE, ASSEMBLY	1	-	
WARD BROOKE Spares for: -			
WBUN1146S2W BLOCK, terminal, 2-way	1	-	
AGS2001B1 Attaching parts for WBUN1146S2W: - Nut, stiff, 4BA	-	-	
WB1114/28 Pillar, fixing	2	-	
SP15B Washer	2	-	
EG7.81.1581 BLOCK, terminal	1	-	
AGS2001B1 Attaching parts for EG7.81.1581: - Nut, stiff, 4BA	2	-	
A32B40 Screw, 4BA	2	-	
AS2810/4/070 Tube, distance	2	-	
AGS2037B Washer	2	-	
EG7.81.1523 BRACKET, mounting	1	-	
AGS2002B4 Attaching parts for EG7.81.1523: - Nut, stiff, 4BA	2	-	
A33B12 Screw, 4BA	2	-	
SP15B Washer	2	-	
EG7.81.1547 CHASSIS, ASSEMBLY	1	-	
EG7.81.1525 Spares for: -			
SP93C4 CHASSIS	1	-	
EG7.81.1519 GROMMET	1	-	
OXLEY PANEL, insulation	1	-	
5UC0113276 PATTERN, terminal, 14A	2	-	
WBN111082 RESISTOR, 15 ohms, 6W, style RWV4J	1	-	
ERIE COVER, terminal block	1	-	
ELECTRONICS			
1215/000 FILTER, suppression	2	-	
or				
1215/025 FILTER, suppression	2	-	
or				
9215/300/0025 FILTER, suppression	2	-	
SP93B8 GROMMET	1	-	
AGS2002C4 NUT, stiff, 4BA	2	-	
EG7.81.3121 PLATE, end, assembly	1	-	
EG7.81.3029 RESISTOR, assembly	2	-	
EG7.81.3197 SCREW, terminal	2	-	
A43B8 SCREW, 4BA	2	-	
EEAS146/20 SLEEVE, 3/4" long	QR	-	
WB1114/23 SPACER, cable	2	-	

R

ELECTRICAL

ELECTRICAL EQUIPMENT IN FRONT FUSELAGE

Part Number	1 2 3 4 5 6	Description	No. Off	Mtl. Spec.	Plate No.
SP25C	WASHER	2	-	
10AC/9469795	WASHER	2	-	
		Attaching parts for EG7.81.3141:-			
A32B12	Screw, 4BA	1	-	
A32A12	Screw, 6BA	4	-	
A33A10	Screw, 6BA	2	-	
SP13B	Washer	1	-	
SP13A	Washer	4	-	
EG7.81.3151	SHELL, box, assembly	1	-	
EG7.81.3373	BOX, FILTER, ASSEMBLY (SRIM.3533) (MOD 4799)	1	-	
		Spares for:-			
EG7.81.3379	LID, ASSEMBLY	1	-	
		Spares for:-			
EG7.81.3389	BOLT, special	4	-	
EG7.81.3387	LID, sub-assembly	1	-	
EG7.81.3135	PIECE, insulating	1	-	
EB2.81.1525	WASHER, retaining	4	-	
AGS2037B	WASHER, shakeproof	4	-	
EG7.81.3375	MODULE, ASSEMBLY	1	-	
		Spares for:-			
WARD BROOKE					
WBUN1146S2W	BLOCK, terminal, 2-way	1	-	
		Attaching parts for WBUN1146S2W:-			
AGS2001B4	Nut, stiff, 4BA	2	-	
WB1114/28	Pillar, fixing	2	-	
SP15B	Washer	2	-	
EG7.81.1571	BLOCK, terminal	1	-	
		Attaching parts for EG7.81.1571:-			
AGS2001B4	Nut, stiff, 4BA	4	-	
A44B6	Screw, 4BA	2	-	
A44B40	Screw, 4BA	4	-	
AS2810/4/070	Tube, distance	4	-	
AGS2037B	Washer, shakeproof	6	-	
EG7.81.1523	BRACKET, mounting	1	-	
		Attaching parts for EG7.81.1523:-			
AGS2002B4	Nut, stiff, 4BA	2	-	
A45B12	Screw, 4BA	2	-	
SP15B	Washer	2	-	
EG7.81.3391	CHASSIS, ASSEMBLY	1	-	
		Spares for:-			
EG7.81.1539	BUSBAR	1	-	
EG7.81.3393	CHASSIS	1	-	
SP93C4	GROMMET	1	-	
10H/0120202	PATTERN, terminal, 8A, BARB156 PR	8	-	
EG7.81.1537	PLATE, insulation	1	-	
5UC/0113276	RESISTOR, 15 ohms, 6W, style RWV4J	8	-	
		or			
10W/0140413	RESISTOR	8	-	
WARD BROOKE					
WBNY1110B2	COVER, terminal block	1	-	

ELECTRICAL

ELECTRICAL EQUIPMENT IN FRONT FUSELAGE

Part Number	1 2 3 4 5 6	Description	No. Off	Mati. Spec.	Plate No.
1215/000 or 1215/025 or 9215/300/0025		FILTER, suppression	2	-	
SP93B8		GROMMET	1	-	
AGS2002C4		NUT, stiff, 2BA	12	-	
EG7.81.3381		PLATE, end, assembly	1	-	
EG7.81.3029		RESISTOR, assembly	2	-	
A43B8		SCREW	12	-	
EG7.81.3197		SCREW, terminal	12	-	
EEAS146/20		SLEEVE, 3/4" long	QR	-	
WB1114/23		SPACER, cable	2	-	
EG7.81.1571		STRIP, connector	1	-	
HC294		TAG, R.T.	2	-	
SP25C		WASHER	8	-	
10AC/9436077		WASHER	12	-	
		Attaching parts for EG7.81.3375:-			
A44B12		Screw, 4BA	1	-	
A44A12		Screw, 6BA	4	-	
A45A10		Screw, 6BA	2	-	
SP15B		Washer	1	-	
SP15A		Washer	4	-	
EG7.81.3377		SHELL, box, assembly	1	-	
EG7.81.3251		BOX, JUNCTION, ASSEMBLY (SRIM.3533) (MOD 4799) Spares for:-	1	-	
EG7.81.3259		BLOCK, anchor nut	2	-	
SIS1564		BLOCK, terminal, 2-way Attaching parts for SIS1564:-	1	-	
AGS2001A1		Nut, stiff, 6BA	2	-	
A33A28		Screw, 6BA	2	-	
EG7.81.3255		BOX, sub-assembly	1	-	
EG7.81.3253		CLAMP	1	-	
EF3.81.13973		COVER, ASSEMBLY Spares for:-	1	-	
EEAS250/1		BOLT, captive	4	-	
EF3.81.13975		COVER	4	-	
EF3.81.14855		GASKET, R.F.	1	-	
AGS20358		WASHER, shakeproof	4	-	
EB2.81.1525		WASHER, tapped	4	-	
EG7.81.3261		PACKING	1	-	
EG7.81.3263		PIECE, insulating	1	-	
EEAS136		BRACKET	2	-	
SCD79445		BRACKET, navigator's detonator switch mounting (SRIM.3533) (Mod 4799)	1	-	
EB7.81.1251/2		CABLE, ASSEMBLY, F48-B3	1	-	
EB7.81.1253		CABLE, ASSEMBLY, F48-B4	1	-	
EB7.81.1255/2		CABLE, ASSEMBLY, F48-B5	1	-	
EB6.81.1205		CABLE, ASSEMBLY, N48-A1	1	-	
EB6.81.1207		CABLE, ASSEMBLY, N48-A2	1	-	
EG4.81.3243		CABLE, ASSEMBLY, N48-A5 (Alt. R60/61- Mod 5100)	1	-	
EB6.81.4901		CABLE, ASSEMBLY, N48-B3	1	-	
EB6.81.5549		CABLE, ASSEMBLY, N48-B5	1	-	

ELECTRICAL
ELECTRICAL EQUIPMENT IN FRONT FUSELAGE

Part Number	Description	No. Off	Mati. Spec.	Plate No.
EG4.81.3241	. . . CABLE, ASSEMBLY, N59 (Alt. R60/61- Mod 5100)	1	-	
EG7.81.3267	. . . CABLE, ASSEMBLY, flexible, from resistor and filter box to elevator tube detonator terminal block	1	-	
EA1.81.425	. . . CAP, detonator spring retaining	64	-	
EB7.81.1305	. . . CLAMP, assembly Attaching parts for EB7.81.1305:-	1	-	
A25/1C	. . . Bolt, 2BA	2	-	
AGS2001C1/66	. . . Nut, stiff, 2BA	2	-	
SP15C	. . . Washer	2	-	
†	. . . CLEAT, support, 18 SWG	1	L72	
AS3180/6C	. . . CLIP, cable fixing Attaching parts for AS3180/6C:-	1	-	
A31C14	. . . Screw, 2BA	1	-	
AS3180/5B	. . . CLIP, cable fixing	58	-	
AS3180/8B	. . . CLIP, cable fixing	1	-	
AS3181/3B	. . . CLIP, cable fixing	2	-	
AS3181/4B	. . . CLIP, cable fixing Attaching parts for AS3180/5B, AS3180/8B, AS3181/3B abd AS3181/4B:-	2	-	
AGS2001B1	. . . Nut, stiff, 4BA	QR	-	
A31B10	. . . Screw, 4BA	QR	-	
A31B14	. . . Screw, 4BA	QR	-	
6R x ¼"	. . . Screw, P.K.	QR	-	
WARD BROOKE WBN1110B8	. . . COVER, terminal block Attaching parts for WBN1110B8:-	1	-	
WB1114/28	. . . Pillar, fixing	2	-	
R 12G9635206	. . . DETONATOR, type 108, Mk. 3	66	-	
R 12G9635205	. . . DETONATOR, type 109, Mk. 2	1	-	
EB7.81.1321	. . . LEAD, accumulator	1	-	
EG7.81.3199	. . . NUT, blanking (SRIM.3533) (Mod 4799)	22	-	
EA6.10.2181	. . . PACKING	16	-	
-	. . . PACKING, 16 SWG x 1" x 1" (SRIM.3533) (Mod 4799)	1	L72	
-	. . . PACKING, 5/16" x 0.50" x 0.60" (SRIM.3533) (Mod 4799)	2	L65C	
EA6.10.2181	. . . PACKING, cork (SRIM.3533) (Mod. 4799)	8	-	
†	. . . PLATE, 18 SWG x 0.75" x 4.0"	1	L72	
SCB79264	. . . PLATE, adaptor (SRIM.3533) (Mod 4799)	8	-	
†	. . . PLATE, front, 18 SWG (SRIM.3533) (Mod 4799)	1	L72	
†	. . . PLATE, packing, 10 SWG x 0.6" x 5.4" (SRIM.3533) (Mod 4799)	1	L72	
EA1.81.942	. . . PLATE, securing	2	-	
†	. . . PLATE, tie, 18 SWG (SRIM.3533) (Mod 4799)	2	L72	
EA1.81.940	. . . PLUG	2	-	
EEAS146/20	. . . SLEEVE, ¾" long	QR	-	
SCD79402/1	. . . SHEATH, assembly (SRIM.3533) (Mod 4799)	1	-	
SCD79402/2	. . . SHEATH, assembly (SRIM.3533) (Mod 4799)	1	-	

ELECTRICAL

ELECTRICAL EQUIPMENT IN FRONT FUSELAGE

Part Number	1 2 3 4 5 6	Description	No. Off	Matl. Spec.	Plate No.
SCD79402/58	SHEATH, assembly (SRIM.3533) (Mod 4799)	1	-	
SCD79402/59	SHEATH, assembly (SRIM.3533) (Mod 4799)	1	-	
SCD79402/60	SHEATH, assembly (SRIM.3533) (Mod 4799)	1	-	
SCD79402/61	SHEATH, assembly (SRIM.3533) (Mod 4799)	1	-	
SCD79402/62	SHEATH, assembly (SRIM.3533) (Mod 4799)	1	-	
SCD79402/63	SHEATH, assembly (SRIM.3533) (Mod 4799)	1	-	
SCD79402/64	SHEATH, assembly (SRIM.3533) (Mod 4799)	1	-	
SCD79402/65	SHEATH, assembly (SRIM.3533) (Mod 4799)	1	-	
SCD79402/66	SHEATH, assembly (SRIM.3533) (Mod 4799)	1	-	
EG7.81.3265	SHEATH, ELEVATOR, ASSEMBLY	1	-	
		Spares for:-			
EG7.81.2675	NUT, clamping	1	-	
EG7.81.2335	NUT, detonator securing	1	-	
EA1.81.938	SPRING, detonator	66	-	
HELLERMANN HV3254	STRAP	QR	-	
TY8-S	STRAPPING, TYTON (Natural, 8mm wide) (Mod 5442)	QR	-	
TY8-C1	STUD, TYTON'	QR	-	
NY3255	STUD	QR	-	
EA1.81.943	STUD, mounting, assembly (SRIM.3533) (Mod 4799)	8	-	
EG4.80.263	SWITCH, DETONATOR, ASSEMBLY, INSTALLATION	-	-	
		Spares for:-			
EB6.80.6089	UNIT, DETONATOR SWITCH, ASSEMBLY	1	-	
		Spares for:-			
EA3.81.6517	FLAP, assembly	1	-	
EA3.81.6519	FLAP, spring, assembly	1	-	
EA6.81.369	PIN, hinge	1	-	
EA1.81.929	SPRING, torsion	1	-	
DOWTY AS105/2C1	SWITCH	2	-	
EA3.81.6497	UNIT, detonator switch sub-assembly	1	-	
		Attaching parts for EB6.80.6089:-			
A31A10	Screw, 6BA	4	-	
SP15A	Washer, 6BA	4	-	
HC294	TAG, R.T.	6	-	
T102 BLACK	TERMINAL, black	1	-	
T102 RED	TERMINAL, red	1	-	
5X6240	TERMINAL, earth (SRIM.3533) (Mod 4799)	1	-	
EB7.81.1177	TRAY, ACCUMULATOR MOUNTING, ASSEMBLY	1	-	
		Spares for:-			
EB7.81.1185	ANGLE	2	-	
EB7.81.1186	ANGLE	2	-	
EB7.81.1397	ANGLE	4	-	
		Attaching parts for EB7.81.1185, EB7.81.1186 and EB7.81.1397:-			
A25/48	Bolt, 4BA	2	-	
A27BT	Nut, thin, 4BA	2	-	
EB7.81.1189	Packing	QR	-	
A25/6B	BOLT, 4BA	2	-	
EB7.81.1181	BUNGEE, assembly	2	-	
		Attaching parts for EB7.81.1181:-			
A25/15B	Bolt, 4BA	1	-	
AGS2001B1	Nut, stiff, 4BA	1	-	
EB7.81.1385	Piece, distance	1	-	
SP16B	Washer	1	-	

ELECTRICAL
ELECTRICAL EQUIPMENT IN FRONT FUSELAGE

Part Number	Description						No. Off	Matl. Spec.	Plate No.
	1	2	3	4	5	6			
EB7.81.1183	LUG	4	-	
AGS2001B1	NUT, stiff, 4BA	2	-	
EB7.81.1179	TRAY, mounting, sub-assembly	1	-	
E & I 659	TUBING, P.V.C., 0.75" i/d, 2" long (Com Mod 0344) (Mod 5183)	1	-	
SP16B	WASHER	2	-	
A25/1C	Attaching parts for EB7.81.1177 :- Bolt, 2BA	4	-	
SP15C	Washer	4	-	
EA1.81.426	TUBE, distance	34	-	
EA1.81.427	TUBE, distance	30	-	
EA1.81.941	TUBE, distance	2	-	
EB7.81.1069	UNIT, DETONATOR SWITCH, ASSEMBLY	1	-	
HV3711	Spares for :- CAP, helvin dolly	1	-	
EB7.81.1067	FLAP	1	-	
EA6.81.369	PIN, hinge	1	-	
EA1.81.929	SPRING, torsion	1	-	
EB7.81.5157	STOP, angle	1	-	
D5405	SWITCH, single pole, c/o No. 3 Attaching parts for Ref. 5CW/1047692 :-	1	-	
A31B12	Screw, 4BA	2	-	
EEAS28/2EP	Washer	4	-	
SP47B	Washer, spring	2	-	
EB7.81.1071	UNIT, detonator switch, sub-assembly Attaching parts for EB7.81.1069 :-	1	-	
A31A10	Screw, 6BA	4	-	
SP15A	Washer	4	-	
EG5.80.447	UNIT, DETONATOR SWITCH, INSTALLATION (SRIM.3533) (MOD 4799) Spares for :-	-	-	
EB6.80.6089	UNIT, DETONATOR SWITCH, ASSEMBLY Spares for :-	1	-	
EA3.81.6517	FLAP, assembly	1	-	
EA3.81.6519	FLAP, spring, assembly	1	-	
EA6.81.369	PIN, hinge	1	-	
EA1.81.929	SPRING, torsion	1	-	
DOWTY	SWITCH	2	-	
AS10512C1	UNIT, detonator switch, sub-assembly Attaching parts for EB6.80.6089 :-	-	-	
EA3.81.6497	Screw, 6BA	4	-	
A32A12	Washer	4	-	
SP15A	UNIT, JETTISON RELAY, ASSEMBLY (SRIM.3533) (MOD 4799) Spares for :-	1	-	
EG4.81.3151	BLOCK, terminal, 5-way Attaching parts for 703/1/00238	1	-	
703/1/00238	Screw, 4BA	2	-	
A43B28				

AP101B-0415-3A

ELECTRICAL
ELECTRICAL EQUIPMENT IN FRONT FUSELAGE

Part Number	Description	No. Off	Matl. Spec.	Plate No.
EB7.81.1273	LID, assembly	1	-	
	Attaching parts for EB7.81.1273 :-			
EEAS117/1	Screw	3	-	
EEAS28/2CU	Washer	3	-	
EEAS42	Washer, leather	3	-	
EB7.81.1393	LID, assembly	1	-	
	Attaching parts for EB7.81.1393 :-			
EEAS117/1	Screw	4	-	
EEAS28/2CU	Washer	4	-	
EEAS42	Washer, leather	4	-	
703/2/00251	LINK, 2-way	1	-	
508-1-06402	PLUG, size B	3	-	
508/1/06399	PLUG, size B	1	-	
5CW9729122	RELAY, type S, No. 1	2	-	
EB7.81.1271	SHELL, box, assembly	1	-	
EEAS146/1/3/8	SLEEVE	QR	-	
EEAS146/12/%	SLEEVE	QR	-	
EEAS146/20/%	SLEEVE	QR	-	
508/2/11232/002	SLEEVE, 4 - 7 amp	1	-	
508/2/11230/002	SLEEVE, 12 - 19 amp	8	-	
703/2/00320	TAG, closed eye	2	-	
703/2/00316/020	TAG, QR	1	-	
703/2/00317/020	TAG, QR	3	-	
703/2/00340/020	THIMBLE, 7 amp	2	-	
703/2/00341/020	THIMBLE, 19 amp	3	-	
	Attaching parts for EG4.81.3151 :-			
A25/1C	Bolt, 2BA	4	-	
SP15C	Washer	4	-	
EB6.81.705	UNIT, mounting, assembly	1	-	
	Attaching parts for EB6.81.705 :-			
A25/1C	Bolt, 2BA	6	-	
SP15C	Washer	6	-	
EB6.81.10219	CLIP, assembly	2	-	
	Attaching parts for EB6.81.10219 :-			
AGS2001C/166	Nut, stiff, 2BA	1	-	
SP13C	Washer	1	-	
AS3180/3B	CLIP, cable fixing	12	-	
AS3180/4B	CLIP, cable fixing	5	-	
AS3180/5B	CLIP, cable fixing	2	-	
AS3180/6B	CLIP, cable fixing	5	-	
AS3180/7B	CLIP, cable fixing	12	-	
AS3180/8B	CLIP, cable fixing	12	-	
AS3180/10B	CLIP, cable fixing	8	-	
AS3180/11B	CLIP, cable fixing	4	-	
AS3180/12B	CLIP, cable fixing	6	-	
AS3180/13B	CLIP, cable fixing	1	-	
AS3180/14B	CLIP, cable fixing	2	-	
AS3180/15B	CLIP, cable fixing	3	-	
AS3180/16B	CLIP, cable fixing	5	-	
AS3180/18B	CLIP, cable fixing	1	-	
AS3180/20B	CLIP, cable fixing	1	-	

R

ELECTRICAL
ELECTRICAL EQUIPMENT IN FRONT FUSELAGE

Part Number	Description						No. Off	Matl. Spec.	Plate No.
	1	2	3	4	5	6			
AS3181/4B	. .	CLIP, cable fixing					1	-	
AS3181/5B	. .	CLIP, cable fixing					1	-	
AS3181/12B	. .	CLIP, cable fixing					2	-	
AS3181/14B	. .	CLIP, cable fixing					6	-	
AS3181/16B	. .	CLIP, cable fixing					2	-	
AS3181/18B	. .	CLIP, cable fixing					1	-	
AS3181/28B	. .	CLIP, cable fixing					3	-	
AS3181/32B	. .	CLIP, cable fixing					1	-	
		Attaching parts for AS3180/3B, AS3180/4B, AS3180/5B, AS3180/6B, AS3180/7B, AS3180/8B, AS3180/10B, AS3180/11B, AS3180/12B, AS3180/13B, AS3180/14B, AS3180/15B, AS3180/16B, AS3180/18B, AS3180/20B, AS3181/4B, AS3181/5B, AS3181/12B, AS3181/14B, AS3181/16B, AS3181/18B, AS3181/28B and AS3181/32B :-							
A25/¼B	. .	Bolt, 4BA					QR	-	
A25/1B	. .	Bolt, 4BA					QR	-	
AGS2001B1	. .	Nut, stiff, 4BA					QR	-	
A31B16	. .	Screw, 4BA					QR	-	
A32B10	. .	Screw, 4BA					QR	-	
A32B16	. .	Screw, 4BA					QR	-	
6R X 3/8"	. .	Screw, P.K.					QR	-	
6R X ¾"	. .	Screw, P.K.					QR	-	
SP15B	. .	Washer					QR	-	
EEAS21/2ER	. .	Washer, 'D'					QR	-	
AS3180/7C	. .	CLIP, cable fixing					1	-	
AS3181/6C	. .	CLIP, cable fixing					3	-	
AS3181/28C	. .	CLIP, cable fixing					1	-	
		Attaching parts for AS3180/7C, AS3181/6C and AS3181/28C :-							
AGS2001B1	. .	Nut, stiff, 4BA					QR	-	
A32B16	. .	Screw, 4BA					QR	-	
EB6.81.729	. .	CLIP, cable and stiffener					2	-	
		Attaching parts for EB6.81.729 :-							
A25/1C	. .	Bolt, 2BA					1	-	
EB6.81.5401	. .	CLIPS, INTERCOM SOCKET TERRY, INSTALLATION					-	-	
		Spares for :-							
AS2294/6	. . .	CLIP					2	-	
		Attaching parts for AS2294/6 :-							
AGS2001A1	. . .	Nut, stiff, 6BA					1	-	
A32B10	. . .	Screw					1	-	
SP13A	. . .	Washer					1	-	
EB6.81.4355	. .	CLIP, saddle					1	-	
		Attaching parts for EB6.81.4355 :-							
A25/1B	. .	Bolt					1	-	
AGS2001B1	. .	Nut, stiff, 4BA					1	-	
SP15B	. .	Washer					1	-	

R
R

ELECTRICAL
ELECTRICAL EQUIPMENT IN FRONT FUSELAGE

Part Number	Description	1 2 3 4 5 6						No. Off	Mater. Spec.	Plate No.
		1	2	3	4	5	6			
EB6.81.4361	. . . CLIP, saddle							1	-	
EB6.81.4363	. . . CLIP, saddle							1	-	
A25/1C	. . . Bolt, 2BA							1	-	
AGS2001C1/66	. . . Nut, stiff, 2BA							1	-	
SP15C	. . . Washer							1	-	
TERRY LTD. 81/2	. . . CLIP, spring							2	-	
A32A12	. . . Screw, 6BA							-	-	
TERRY LTD. 257	. . . CLIP, 1/2" dia							3	-	
R 6C X 1/2"	. . . Screw, P.K.							2	-	
EG4.81.2867	. . . EQUIPMENT AND WIRING ON PILOT'S CONSOLE Spares for :-							-	-	
HV3710 CAP, helvin							2	-	
AS3180/5B CLIP, cable fixing							3	-	
AS3180/12B CLIP, cable fixing							1	-	
A25/1B Bolt, 4BA							1	-	
AGS2001B1 Nut, stiff, 4BA							1	-	
SP15B Washer							1	-	
R 5CZ4340430 INDICATOR, magnetic							2	-	
EB6.80.263 PANEL, indicator							1	-	
A40B14 Screw							4	-	
EG4.80.1413 PANEL, REMOVABLE, PILOT'S CONSOLE ASSEMBLY (SRIM.3533) (MOD 4799) Spares for :-							1	-	
EB7.81.705 BLOCK, fuse							1	-	
EB6.80.4725 BLOCK, fuse							1	-	
A31B8 Screw, 4BA							2	-	
AGS2035B Washer, shakeproof, 4BA							2	-	
703/1/00238 BLOCK, terminal, 5 - way							2	-	
AGS2001B1 Nut, stiff, 4BA							2	-	
A32B28 Screw							QR	-	
A32B40 Screw							QR	-	
AS2810/4/05 Tube, distance							QR	-	
SCC79471 BRACKET, mounting (SRIM.3533) (Mod 4799)							1	-	
EA9.81.3375 BRACKET, SWITCH, ASSEMBLY Spares for :-							1	-	
EA3.81.2085 BRACKET, switch locking							1	-	
EA3.81.2079 PLATE, bearing							2	-	
AS2810/3/122 TUBE, distance							2	-	
or AS2809/3/122 TUBE, distance							2	-	

ELECTRICAL
ELECTRICAL EQUIPMENT IN FRONT FUSELAGE

Part Number	Description	No. Off	Matl. Spec.	Plate No.	
					1
EB6.80.8019	BRACKET, plug, assembly	1	-		
A31B16	Attaching parts for EB6.80.8019 :- Screw, 4BA	6	-		
SE1934449	CABLE, uniminyvin 12	QR	BS.G 195		
SE1934448	CABLE, uniminyvin 14	QR	BS.G 195		
SE1934447	CABLE, uniminyvin 16	QR	BS.G 195		
SE1934440	CABLE, uniminyvin 20	QR	BS.G 195		
EB7.80.75	COVER, FUSE, ASSEMBLY	1	-		
EA1.81.542	Spares for :- CARRIER	1	-		
AS2294/1	Spares for :- CLIP, spring	1	-		
EA1.81.542A	PLATE, base	8	-		
AGS2002A1	Attaching parts for EA1.81.542 :- Nut, stiff, 6BA	2	-		
A31A10	Screw, 6BA	2	-		
EB7.80.77	COVER	1	-		
ODDIE	STUD	2	-		
PT213	WASHER	2	-		
PT214					
10H4709559	FUSE, 2.5 amp, HRC type AS	4	-		
10H4709560	FUSE, 5 amp, HRC type AS	8	-		
10H4709561	FUSE, 10 amp, HRC type AS	4	-		
10H4308164	FUSE, 20 amp, HRC type AS	2	-		
10H2073169	HOLDER, fuse	3	-		
5CZ4340430	INDICATOR, electro magnetic	1	-		
EA3.81.2077	KNOB, switch	1	-		
A31B28	Attaching parts for EA3.81.2077 :- Screw, 4BA	1	-		
AGS2035B	Nut, stiff, 4BA	1	-		
SCA79473	LABEL, 'I.L.S. on/off' (SRIM.3533) (Mod 4799)	1	-		
703/2/00254	LINK, 5-way	1	-		
EEAS71/2	LINK, fuse connecting	2	-		
SCC79475	PANEL (SRIM.3533) (Mod 4799)	1	-		
EG4.80.481	PANEL, CONSOLE SWITCH	1	-		
EG4.80.97	Spares for :- LABEL, 'emergency bomb jettison'	1	-		
EG4.80.483	PANEL, console, sub-assembly	1	-		
EG4.80.123	PLATE, blanking	1	-		
EG4.80.719	PLATE, blanking	1	-		
EG6.80.8007	PLATE, mounting	1	-		
EG4.81.3215	PLATE, switch	1	-		
508/1/06394	PLUG, size A	1	-		
508/1/06413	PLUG, size D	3	-		
2CZ85945	PLUG, size Z	1	-		
5CW4405754	RELAY, type 9B, No. 2A	1	-		
AGS2002B1	Attaching parts for Ref. 5CW/6453 :- Nut, stiff, 4BA	2	-		
A32B24	Screw, 4BA	2	-		
AS2810/4/020	Tube, distance	2	-		
SP13B	Washer	2	-		
AS10512M1	SHROUD, terminal	8	-		
AS10512M2	SHROUD, terminal	2	-		

ELECTRICAL
ELECTRICAL EQUIPMENT IN FRONT FUSELAGE

Part Number	1 2 3 4 5 6	Description	No. Off	Matl. Spec.	Plate No.
EEAS146/6/3/8	SLEEVE	QR	-	
EEAS146/12/1/4	SLEEVE	QR	-	
EEAS146/12/3/4	SLEEVE	QR	-	
EEAS146/16/1/4	SLEEVE	QR	-	
EEAS146/16/3/4	SLEEVE	QR	-	
EEAS146/20/1/4	SLEEVE	QR	-	
EEAS146/20/3/4	SLEEVE	QR	-	
508/2/11232/002	SLEEVE	22	-	
HV3254	STRAP	QR	-	
NY3255	STUD	QR	-	
AS10512A2	SWITCH, single pole	4	-	
AS10512A6	SWITCH, single pole	1	-	
AS10512C1	SWITCH, double pole	1	-	
AS10512E1	SWITCH, 3 - way, single and double pole	1	-	
EA9.81.3379	SWITCH, ASSEMBLY	1	-	
		Spares for :-			
ROTAX					
D10001	SWITCH, type 8B, No. 1	1	-	
EA3.81.2073	TOGGLE	1	-	
		Attaching parts for EA3.81.2073 :-			
A33A6	Screw, 6BA	2	-	
EK5.81.923	SWITCH, LEVER OPERATED, RUDDER TRIM ASSEMBLY	2	-	
		Spares for :-			
DOWTY					
DN1260Z74	CAP, dolly	1	-	
1260Z165	KNOB	1	-	
		Attaching parts for 1260Z165 :-			
A35Z24	Screw, 8BA	1	-	
AS10512A1	SWITCH	1	-	
EK5.81.927	SWITCH, LEVER OPERATED, AILERON TRIM ASSEMBLY	1	-	
		Spares for :-			
DOWTY					
DN1260Z74	CAP, dolly	1	-	
1260Z163	KNOB	1	-	
		Attaching parts for 1260Z163 :-			
A35Z28	Screw, 8BA	1	-	
AS10512A1	SWITCH	-	-	
HC294D	TAG, R.T.	QR	-	
HC304D	TAG, R.T.	QR	-	
HC314A	TAG, R.T.	QR	-	
HC296	TAG, R.T.	QR	-	
HC1187RH	TAG, R.T.	QR	-	
HC490	TAG, Q.R.	QR	-	
HC510	TAG, Q.R.	QR	-	
HC500	TAG, Q.R.	QR	-	
		Attaching parts for EG4.80.1413 :-			
A25/2C	Bolt, 2BA	QR	-	
SP13C	Washer	QR	-	
EEAS132/9	STRAP, cable	4	-	
		Attaching parts for EEAS132/9 :-			
AS1248/1B	Bolt, 4BA	1	-	
AGS2001B1	Nut, stiff	1	-	
EEAS73	Plate, clamp	1	-	

R

R
R
R

ELECTRICAL
ELECTRICAL EQUIPMENT IN FRONT FUSELAGE

Part Number	1 2 3 4 5 6	Description	No. Off	Matl. Spec.	Plate No.
R HV3254	. . .	STRAPPING	QR	-	
NY3255	. . .	STUD	QR	-	
5CW1047697	. . .	SWITCH, double pole (Pre-Alt R60/61) Attaching parts for Ref. 5CW/1047697 :-	2	-	
A4088	. . .	Screw, 4BA	4	-	
SP47B	. . .	Washer, spring	4	-	
R AS10512C-1	. . .	SWITCH, double pole (Alt R60/61) Attaching parts for AS10512C-1 :-	2	-	
R A31B16	. . .	Screw, 4BA, cheese head	4	-	
R SP10B	. . .	Washer, 4BA	4	-	
R 5CW4327	. . .	TRANSFER, 'on'	2	-	
R 5CW4402855	. . .	TRANSFER, 'off'	2	-	
EA3.81.791	. . .	GUARD, cable Attaching parts for EA3.81.791 :-	1	-	
R 6R X 1/4"	. . .	Screw, P.K.	8	-	
EB6.81.10207	. . .	GUARD, clip Attaching parts for EB6.81.10207 :-	1	-	
R 4C X 3/8"	. . .	Screw, P.K.	9	-	
EA1.81.251	. . .	GUIDE, STRAP, ASSEMBLY Spares for :-	22	-	
EA1.81.260	. . .	GUIDE, strap	1	-	
EA1.81.250	. . .	STRIP, clamping	1	-	
SIS2407	. . .	HORN, electric type C Attaching parts for SIS2407 :-	1	-	
A25/17E	. . .	Bolt, 1/4" BSF	2	-	
AGS2001E1/66	. . .	Nut, stiff, 1/4" BSF	2	-	
SP15E	. . .	Washer	2	-	
AS3360B3C	. . .	LEAD, bonding Attaching parts for AS3360B3C :-	3	-	
AGS2002C3	. . .	Nut, stiff, 2BA	1	-	
A39C12	. . .	Screw, 2BA	1	-	
R EG4.81.2857	. . .	LIGHTING, GENERAL, FRONT FUSELAGE, ASSEMBLY Spares for :-	1	-	
EA3.81.971	. . .	ANGLE	1	-	
EA3.81.2191	. . .	ANGLE	1	-	
EA3.81.2306	. . .	ANGLE	1	-	
EB6.81.2457	. . .	ANGLE, assembly	1	-	
EB6.81.5361	. . .	ANGLE, mounting Attaching parts for EB6.81.5361 :-	1	-	
AGS2001B1	. . .	Nut, stiff, 4BA	1	-	
A31B6	. . .	Screw, 4BA	1	-	
SP15B	. . .	Washer	1	-	
WARD BROOKE WBUN1146S3W	. . .	BLOCK, terminal, 3-way (SRIM.3533) (Mod.4864) Attaching parts for WBUN1146S3W :-	1	-	
EB6.81.5349	. . .	Pillar, fixing	2	-	
A33B20	. . .	Screw, 4BA	1	-	
A40B10	. . .	Screw, 4BA	1	-	
SP15B	. . .	Washer	2	-	
AGS2037B	. . .	Washer	1	-	

ELECTRICAL
ELECTRICAL EQUIPMENT IN FRONT FUSELAGE

Part Number	Description	No. Off	Matl. Spec.	Plate No.
†	. . . BLOCK, terminal, 5-way (SRIM.3538) (Mod 4864)	2	—	
703/2/00267	. . . Attaching parts for 5-way t/b :— Pillar, fixing	2	—	
703/2/00244	. . . BLOCK, terminal, 10-way Attaching parts for 703/2/00244:—	1	—	
AGS2001B1	. . . Nut, stiff, 4BA	1	—	
703/2/00267	. . . Pillar, fixing	2	—	
703/1/00249	. . . BLOCK, terminal, 20-way Attaching parts for 703/1/00249 :—	3	—	
AGS2001B1	. . . Nut, stiff, 4BA	QR	—	
703/2/00267	. . . Pillar, fixing	QR	—	
A32B28	. . . Screw, 4BA	QR	—	
A25/1C	. . . BOLT, starter panel earthing, frame 2	1	—	
EB7.81.1545	. . . BRACKET Attaching parts for EB7.81.1545 :—	2	—	
AGS2001A1	. . . Nut, stiff, 6BA	2	—	
EB7.81.1561	. . . Packing	1	—	
A31A16	. . . Screw, 6BA	2	—	
SP15A	. . . Washer	2	—	
EA3.81.2189	. . . BRACKET, assembly	1	—	
EB6.81.2319	. . . BRACKET, assembly Attaching parts for EB6.81.2319 :—	1	—	
A25/1B	. . . Bolt, 4BA	1	—	
AGS2001B1	. . . Nut, stiff, 4BA	1	—	
SP15B	. . . Washer	1	—	
EB6.81.5405	. . . BRACKET, assembly	1	—	
EB7.81.1549	. . . BRACKET, assembly	1	—	
EB6.81.5315	. . . BRACKET, dimmer switch, assembly Attaching parts for EB6.81.5315 :—	1	—	
A25/1B	. . . Bolt, 4BA	4	—	
AGS2001B1	. . . Nut, stiff, 4BA	4	—	
EB6.81.10159	. . . Packer	1	—	
EB6.81.2461	. . . Strip, packing	1	—	
SP15B	. . . Washer	4	—	
EB6.81.10031	. . . BRACKET, lamp mounting Attaching parts for EB6.81.10031 :—	1	—	
6R X ¾"	. . . Screw, P.K.	2	—	
EG4.81.3191	. . . BRACKET, lamp (SRIM,3533) (Mod 4864)	2	—	
EG4.81.3189	. . . BRACKET, lamp angle (SRIM,3533) (Mod 4864)	1	—	
EB6.81.5831	. . . CABLE, ASSEMBLY, E25, from 40-way terminal block to earth terminal on frame 2	1	—	
EB7.81.1083	. . . CABLE, ASSEMBLY, F36, from main electrical panel to equipment bay lamp	1	—	
EB6.81.5319	. . . CABLE, ASSEMBLY, L1A, from 40-way terminal block to port lights dimmer	1	—	
EB6.81.5053	. . . CABLE, ASSEMBLY, L1A1, from 40-way terminal block to centre light	1	—	

R
R

ELECTRICAL
ELECTRICAL EQUIPMENT IN FRONT FUSELAGE

Part Number	Description						No. Off	Matl. Spec.	Plate No.
	1	2	3	4	5	6			
EB6.81.5057	.	.	.	CABLE, ASSEMBLY, L1A2, from 40-way terminal block to port outer light			1	-	
EB6.81.5059	.	.	.	CABLE, ASSEMBLY, L1A3, from 40-way terminal block to port inner light			1	-	
EB6.81.5061	.	.	.	CABLE, ASSEMBLY, L1B, from 40-way terminal block to starboard red lights dimmer			1	-	
EB6.81.5065	.	.	.	CABLE, ASSEMBLY, L1B2, from 40-way terminal block to starboard outer light No. 1			1	-	
EB6.81.5067	.	.	.	CABLE, ASSEMBLY, L1B3, from 40-way terminal block to starboard outer light No. 2			1	-	
EB6.81.5069	.	.	.	CABLE, ASSEMBLY, L1B4, from 40-way terminal block to centre light			1	-	
EB6.81.5311	.	.	.	CABLE, ASSEMBLY, L1B5, from 40-way terminal block to 10-way terminal block			1	-	
EB6.81.5071	.	.	.	CABLE, ASSEMBLY, L1C, from 40-way terminal block to console lights dimmer			1	-	
EB6.81.5073	.	.	.	CABLE, ASSEMBLY, L1C1, from 40-way terminal block to ILS/UHF controller light			1	-	
EB6.81.5075	.	.	.	CABLE, ASSEMBLY, L1C2, from 40-way terminal block to forward console light			1	-	
EB6.81.5077	.	.	.	CABLE, ASSEMBLY, L1C3, from 40-way terminal block to centre take-off panel light			1	-	
EB6.81.5079	.	.	.	CABLE, ASSEMBLY, L1C4, from 40-way terminal block to 10-way terminal block			1	-	
EB6.81.5081	.	.	.	CABLE ASSEMBLY, L1D, from 40-way terminal block to starboard inboard ultra violet light and dimmer			1	-	
EB6.81.5083	.	.	.	CABLE, ASSEMBLY, L1D1, from 40-way terminal block to starboard outboard and inboard ultra violet lights			1	-	
EB6.81.5107	.	.	.	CABLE, ASSEMBLY, L1D2, from 40-way terminal block to centre light and dimmer			1	-	
EB6.81.5169	.	.	.	CABLE, ASSEMBLY, L1D3, from 10-way terminal block to prone position ultra violet light			1	-	
EB6.81.5171	.	.	.	CABLE, ASSEMBLY, L1D4, from 40-way terminal block to 10-way terminal block			1	-	
EB6.81.5085	.	.	.	CABLE, ASSEMBLY, L1E, from 40-way terminal block to port outboard ultra violet light and dimmer			1	-	
EB6.81.5087	.	.	.	CABLE, ASSEMBLY, L1E1, from 40-way terminal block to port in board and outboard, ultra violet lights			1	-	
EB6.81.5089	.	.	.	CABLE, ASSEMBLY, L1F, from 40-way terminal block to take-off panel lights			1	-	
EB6.81.5091	.	.	.	CABLE, ASSEMBLY, L1F1, from 40-way terminal block to forward take-off panel lights			1	-	
EB6.81.5093	.	.	.	CABLE, ASSEMBLY, L1F2, from 40-way terminal block to aft take-off panel lights			1	-	
EB6.81.5309	.	.	.	CABLE, ASSEMBLY, L1F4, from 40-way terminal block to aft console light			1	-	
EB6.81.5097	.	.	.	CABLE, ASSEMBLY, L1G, from 40-way terminal to E2B compass light dimmer			1	-	
EB6.81.5101	.	.	.	CABLE, ASSEMBLY, L1H, from 40-way terminal block to pilot's console			1	-	

ELECTRICAL
ELECTRICAL EQUIPMENT IN FRONT FUSELAGE

Part Number	Description	No. Off	Matl. Spec.	Plate No.
EB6.81.5103	. . . CABLE, ASSEMBLY, L2A, from 10-way terminal block to dimmer	1	-	
EB6.81.5105	. . . CABLE, ASSEMBLY, L2A1, from 10-way terminal block to wander lamp	1	-	
EB6.81.5109	. . . CABLE, ASSEMBLY, L2A2, from 10-way terminal block to lamp type, Mk.1A	1	-	
EB6.81.5111	. . . CABLE, ASSEMBLY, L2B, from 20-way terminal block to navigator's instrument panel lamps	1	-	
EB6.81.5303	. . . CABLE, ASSEMBLY, L3A, from 40-way terminal block to blind flying panel instrument lights dimmer	1	-	
EG4.81.2677	. . . CABLE, ASSEMBLY, L3A1, from 40-way terminal block to blind flying panel terminal block (SRIM.3533) (Mod 4864)	1	-	
EB6.81.5177	. . . CABLE, ASSEMBLY, L3B, from 20-way terminal block to navigator's angle poise light dimmer	1	-	
EB6.81.5179	. . . CABLE, ASSEMBLY, L3B1, from 20-way terminal block to navigator's angle poise light	1	-	
EB6.81.5307	. . . CABLE, ASSEMBLY, L4B, from 20-way terminal block to Tacan lights dimmer	1	-	
EB6.81.5125	. . . CABLE, ASSEMBLY, N79A, from 40-way terminal block to E.M. light switch (Pre-Mod 5100)	1	-	
EG4.81.3235	. . . CABLE, ASSEMBLY, N79A (Alt. R60/61 - Mod 5100)	1	-	
EB6.81.5127	. . . CABLE, ASSEMBLY, N79A1, from 40-way terminal block to starboard EM light	1	-	
EB6.81.5129	. . . CABLE, ASSEMBLY, N79A2, from 40-way terminal block to port EM light	1	-	
EB6.81.5131	. . . CABLE, ASSEMBLY, N79A3, from 40-way terminal block to 10-way terminal block	1	-	
R EB6.81.5133	. . . CABLE, ASSEMBLY, N79A4, from 10-way terminal block to amber EM light (Pre-Mod 5423)	1	-	

ELECTRICAL
ELECTRICAL EQUIPMENT IN FRONT FUSELAGE

Part Number	Description	No. Off	Matl. Spec.	Plate No.
EB6.81.5099	CABLE, ASSEMBLY, N79A9, from 10-way terminal block to prone position EM light switch (Pre-Mod 5423)	1	-	
EG4.81.3229	CABLE, ASSEMBLY, N79A9 (Pre-Mod 5423)	1	-	
EB6.81.5175	CABLE, ASSEMBLY, N79A10, from 40-way terminal block to 5-way terminal block	1	-	
EB6.81.5141	CABLE, ASSEMBLY, N123, from electrical control panel and 40-way terminal block to pilot's anti-dazzle switch (Pre-Mod 5100)	1	-	
EG4.81.3245	CABLE, ASSEMBLY, N123 (Alt. R60/61-Mod 5100)	1	-	
EB6.81.5143	CABLE, ASSEMBLY, N125 from pilot's anti-dazzle switch and navigator's anti-dazzle switch to port anti-dazzle lamp resistance (Pre-Mod 5100)	1	-	
EG4.81.3227	CABLE, ASSEMBLY, N125 (Alt. R60/61-Mod 5100)	1	-	
EB6.81.5145	CABLE, ASSEMBLY, N126, from pilot's anti-dazzle switch to starboard anti-dazzle lamp resistance (Pre-Mod 5100)	1	-	
EG4.81.3237	CABLE, ASSEMBLY, N126 (Alt. R60/61-Mod 5100)	1	-	
EB7.81.5147	CABLE, ASSEMBLY, N127, from port anti-dazzle lamp resistance to starboard anti-dazzle lamp resistance	1	-	
EB6.81.5149	CABLE, ASSEMBLY, N128, from starboard anti-dazzle lamp resistance to starboard anti-dazzle lamp	1	-	
EB6.81.5151	CABLE, ASSEMBLY, N129, from port anti-dazzle lamp resistance to port anti-dazzle lamp	1	-	
EB6.81.5295	CABLE, ASSEMBLY, 13F, 13G, and 13N, all from JB13, 13F to 20-way terminal block, 13G to lamp type 1A and 13N to 20-way terminal block	1	-	
EB6.81.5297	CABLE, ASSEMBLY, 14F, from JB 14 to second navigator's angle poise light dimmer	1	-	
EB6.81.5193	CABLE, ASSEMBLY, 14F1, from second navigator's angle poise dimmer to angle poise light	1	-	
EB6.81.5419	CABLE, ASSEMBLY, 16L, from JB16 to 10-way terminal block and 40-way terminal block	1	-	
5E1934440	CABLE, uniminyvin 20	QR	-	
AS3180/3B	CLIP, 'P'	2	-	
AS3180/4B	CLIP, 'P'	1	-	
AS3180/5B	CLIP, 'P'	6	-	
AS3180/6B	CLIP, 'P'	1	-	
AS3180/8B	CLIP, 'P'	4	-	
AS3180/10B	CLIP, 'P'	3	-	
AS3180/12B	CLIP, 'P'	1	-	
	Attaching parts for clips :-			
A25/1B	Bolt, 4BA	QR	-	
AGS2001B1	Nut, stiff, 4BA	QR	-	
6R X 3/4"	Screw, P.K.	QR	-	
A3186	Screw, 4BA	QR	-	
A32B16	Screw, 4BA	QR	-	
SF15B	Washer	QR	-	

AP101B-0415-3A

ELECTRICAL
EQUIPMENT IN FRONT FUSELAGE

Part Number	Description	No. Off	Matl. Spec.	Plate No.
WARD BROOKE				
WBUNNY1110/3	. . . COVER, terminal block	1	—	
703/1/00266	. . . COVER, transparent	2	—	
703/1/00265	. . . COVER, transparent	1	—	
SCC79482	. . . DIMMER, deviation card, installation	—	—	
HC1350	. . . FERRULE	23	—	
5L9959118	. . . FILAMENT, 28V, 0.4 amp	4	—	
5L9951273	. . . FILAMENT, amber, 28V, 3.5W	2	—	
5L9951271	. . . FILAMENT, clear, 28V 3.5W (Pre-Mod 5423)	9	—	
5L9951271	. . . FILAMENT, clear, 28V, 3.5W (Mod 5423)	8	—	
5L9951283	. . . FILAMENT, red, 28V, 3.5W	13	—	
5L9952254	. . . FILAMENT, clear, 28V, 6W	2	—	
5L9952261	. . . FILAMENT, clear, 12V, 7W	6	—	
5L9951282	. . . FILAMENT, clear, 28V, 12W	2	—	
5L9953273	. . . FILAMENT, clear, 28V, 18W	2	—	
or				
5L9953278	. . . FILAMENT, clear, 28V, 18W	2	—	
5CX1982600	. . . FILTER, amber	2	—	
SIC675A511A	. . . GROMMET	3	—	
10AP1039477	. . . GUARD, switch	1	—	
EG4.80.1415	. . . HOLDER, DEVIATION CARD, INSTALLATION (SRIM, 3533) (MOD 4799) (See Chapter GA)	—	—	
5CX4330201	. . . LAMP, anti-dazzle Attaching parts for Ref. 5CX/4330201:—	2	—	
A25/1B	. . . Bolt, 4BA	QR	—	
AGS2001A1	. . . Nut, stiff, 6BA	QR	—	
AGS2001B1	. . . Nut, stiff, 4BA	QR	—	
A31A24	. . . Screw, 6BA	QR	—	
SP13A	. . . Washer	QR	—	
SP15B	. . . Washer	QR	—	
5CX1083089	. . . LAMP, bridge	1	—	
5CX4857	. . . LAMP, chartboard, type E	2	—	
or				
5CX1982602	. . . LAMP, chartboard, type H	2	—	
5CX4330002	. . . LAMP, cockpit, Mk. 1A Attaching parts for Ref. 5CX/4330002:—	2	—	
A31B6	. . . Screw, 4BA	QR	—	
SP15B	. . . Washer	QR	—	
EA3.81.2291	. . . LAMP, BOMB AIMER'S HAND, ASSEMBLY Spares for:—	1	—	
EA3.81.2285	. . . ARM, clamp	1	—	
EA3.81.2283	. . . ARM, CLAMP, ASSEMBLY Spares for:—	1	—	
EA3.81.2303	. . . ARM, clamp	1	—	
EA3.81.2289	. . . WASHER, friction Attaching parts for EA3.81.2285 and EA3.81.2283:—	1	—	
A25/15B	. . . Bolt, 4BA	1	—	
AGS2001B1	. . . Nut, stiff, 4BA	1	—	
EA3.81.2287	. . . Tube, distance	1	—	
SP13B	. . . Washer	1	—	
SP16B	. . . Washer	1	—	
EA3.81.2295	. . . BRACKET Attaching parts for EA3.81.2295:—	1	—	
A25/1B	. . . Bolt, 4BA	1	—	
AGS2001B1	. . . Nut, stiff, 4BA	1	—	
SP13B	. . . Washer	1	—	
SP55B	. . . Washer, double spring	1	—	

ELECTRICAL

ELECTRICAL EQUIPMENT IN FRONT FUSELAGE

Part Number	Description						No. Off	Matl. Spec.	Plate No.
	1	2	3	4	5	6			
8757/2	COVER, terminal	1	-	
5L9951263	FILAMENT	1	-	
5CY1085825	LAMPHOLDER	1	-	
A25/2B	Attaching parts for 5CY1085825:-			
AGS2001B1	Bolt, 4BA	2	-	
SP13B	Nut, stiff, 4BA	2	-	
SP55B	Washer	2	-	
SIS3008	Washer, double spring	2	-	
EA3.81.2297	SCREEN	1	-	
EA3.81.2301	SPRING	1	-	
EA3.81.2291	STRIP, cork	2	-	
EA3.81.2293	WASHER, FRICTION, ASSEMBLY	1	-	
EA3.81.2299	Spares for:-			
5CX1143867	PLATE, key	1	-	
5CX1057219	WASHER, friction	1	-	
AGS2001A1	LAMP, pillar	2	-	
A31A12	LAMP, type C, No. 2	15	-	
A31A16	Attaching parts for Ref. 5CX/1057219:-			
A31A20	Nut, stiff, 6BA	QR	-	
A31A24	Screw, 6BA	QR	-	
A38A26	Screw, 6BA	QR	-	
4R x 1/2"	Screw, 6BA	QR	-	
AS2304/030	Screw, 6BA	QR	-	
SP13A	Screw, P.K.	QR	-	
SP15A	Tube, distance	QR	-	
SIS6281	Washer	QR	-	
SIS6281	Washer	QR	-	
AGS2001B1	LAMP, type D, amber (Pre-Mod 5423)	8	-	
A31B6	LAMP, type D, amber (Mod 5423)	7	-	
SP15B	Attaching parts for SIS6281:-			
5CX4330060	Nut, stiff, 4BA	2	-	
A25/1B	Screw, 4BA	2	-	
AGS2001A1	Washer	2	-	
AGS2001B1	LAMP, ultra violet, type B No. 2	5	-	
EB6.81.10151	Attaching parts for Ref. 5CX/4330060:-			
A31A24	Bolt, 4BA	QR	-	
A31B6	Nut, stiff, 6BA	QR	-	
6R x 3/4"	Nut, stiff, 4BA	QR	-	
SP13A	Packer	QR	-	
SP15B	Screw, 6BA	QR	-	
EB6.81.5301	Screw, 4BA	QR	-	
5L9952254	Screw, P.K.	QR	-	
5CX4330002	Washer	QR	-	
AS1246/1B	Washer	QR	-	
AGS2001B1	LIGHT, EQUIPMENT BAY, INSTALLATION	-	-	
SP13B	Spares for:-			
	FILAMENT, 24V, 6W	1	-	
	LAMP, cockpit, Mk. 1A	1	-	
	Attaching parts for Ref. 5CX/4330002:-			
	Bolt, 4BA	3	-	
	Nut, 4BA	3	-	
	Washer	3	-	

R
R
R

ELECTRICAL

ELECTRICAL EQUIPMENT IN FRONT FUSELAGE

Part Number	Description						No. Off	Matl. Spec.	Plate No.
	1	2	3	4	5	6			
EB6.81.5299	PLATE, mounting	1	-	
	Attaching parts for EB6.81.5299 :-			
A25/2B	Bolt, 4BA	2	-	
AGS2001B1	Nut, stiff, 4BA	2	-	
SP13B	Washer	2	-	
703/2/00251	LINK, 2-way	9	-	
703/2/00252	LINK, 3-way	4	-	
703/2/00253	LINK, 4-way	1	-	
703/2/00259	LINK, 10-way	1	-	
703/2/00260	LINK, transverse	2	-	
AGS2001B1	NUT, starter panel earthing, fr. 2	1	-	
EB6.81.10159	PACKER	1	-	
EA3.81.2329	PACKING	2	-	
EA3.81.2335	PACKING	2	-	
EA3.81.2337	PACKING	2	-	
EA3.81.2341	PACKING	2	-	
EB7.80.911	PACKING	1	-	
EB7.81.1561	PACKING	2	-	
EG4.80.1409	PANEL, DIMMER SWITCH, ASSEMBLY (SRIM.3533) (MOD 4799) (See Chapter GA)	Ref.	-	
EG4.80.1333	PANEL, NAVIGATOR'S SIDE, ASSEMBLY (SRIM.3533) (MOD 4799) (See Chapter GA)	Ref.	-	
SCD 79451	PLATE, MOUNTING, (SRIM.3533)	1	-	
EB7.80.897	PLATE, resistance mounting, assembly	1	-	
5CZ4335518	RESISTANCE, type A No. 3	2	-	
EG4.81.2673	RESISTOR ASSEMBLY (SRIM.3533) (MOD 4864)	1	-	
	Spares for :-			
HSA5/80±5%	RESISTOR, 80 ohms	1	-	
EEAS146/20/%	SLEEVE	QR	-	
HC294	TAG, R.T.	2	-	
	Attaching parts for EG4.81.2673 :-			
A47Z	Nut, 8BA	2	-	
A31Z12	Screw, 8BA	2	-	
SP47Z	Washer, spring	2	-	
5CX1057503	SCREEN	15	-	
EEAS146/12/¼	SLEEVE	QR	-	
EEAS126/16/¼	SLEEVE	QR	-	
EEAS146/6/ 3/8	SLEEVE	QR	-	
EEAS146/20/¾	SLEEVE	QR	-	
EEAS146/20/1	SLEEVE	QR	-	
WARD BROOKE				
WB1114/22	SPACER	2	-	
EB6.81.2459	STRIP, packing	1	-	
8396B114	SWITCH (See Chapter GA)	Ref.	-	
5CW4405521	SWITCH, dimmer, type R	5	-	
5CW4405515	SWITCH, dimmer, type R	2	-	
5CW4405516	SWITCH, dimmer, type R	5	-	
5CW1047690	SWITCH, 'on-off'	1	-	
N.S.F.				
8396/B114	SWITCH	1	-	
5CW4405514	SWITCH, dimmer, type R	1	-	
5CW4405519	SWITCH, dimmer, type R	1	-	
5CW4405520	SWITCH, dimmer, type R	3	-	
5CW5767	SWITCH, dimmer, type R	1	-	
HC294	TAG, R.T.	22	-	
HC490	TAG, Q.R.	2	-	
SP15B	WASHER, starter panel earthing, frame 2	1	-	

R

R

R

R

R

R

R

R

R

R

R

R

R

ELECTRICAL EQUIPMENT IN FRONT FUSELAGE

Part Number	Description	No. Off	Matl. Spec.	Plate No.
EB6.81.4313	. . MOUNTING, CABLE DUCT. PORT, ASSEMBLY Spares for :-	1	-	
EA3.81.2265	. . . BRACKET, angle, assembly	2	-	
EB6.81.4315	. . . COVER, cable mounting duct Attaching parts for EB6.81.4315 :-	1	-	
AS1248/1C	. . . Bolt, 2BA	6	-	
SP15C	. . . Washer	6	-	
EB6.81.4317	. . . DUCT, cable mounting, sub-assembly Attaching parts for EB6.81.4317 :-	1	-	
AS1248/1C	. . . Bolt, 2BA	4	-	
SP15C	. . . Washer	4	-	
EB6.81.4001	. . PACKING	1	-	
EB6.81.5779	. . PLATE, attachment	3	-	
EEAS73	. . PLATE, clamp Attaching parts for EEAS73 :-	4	-	
AS1248/½B	. . Bolt, 4BA	1	-	
AGS2001B1	. . Nut, stiff, 4BA	1	-	
SP15B	. . Washer	1	-	
R 5CW4405754	. . RELAY, magnetic, pressure warning Attaching parts for Ref. 5CW/4405754 :-	1	-	
A25/3B	. . Bolt, 4BA	2	-	
SP15B	. . Washer	2	-	
EEAS132/7	. . STRAP, cable	12	-	
EEAS132/9	. . STRAP, cable	5	-	
EEAS132/12	. . STRAP, cable	4	-	
EEAS132/15	. . STRAP, cable	6	-	
EEAS132/18	. . STRAP, cable	2	-	
HV3254	. . STRAPPING	QR	-	
HV3341	. . STRAPPING	QR	-	
NY3342	. . STUD	QR	-	
NY3255	. . STUD	QR	-	
	. . WIRING AND CLIPPING UNDER PILOT'S FLOOR Spares for :-	-	-	
703/1/00249	. . . BLOCK, terminal, 20-way Attaching parts for 703/1/00249 :-	1	-	
AGS2002B1	. . . Nut, stiff, 4BA	2	-	
703/2/00267	. . . Pillar, fixing	2	-	
SP13B	. . . Washer	2	-	
EA3.81.2611	. . . BRACKET Attaching parts for EA3.81.2611 :-	1	-	
AGS2001B1	. . . Nut, stiff, 4BA	1	-	
A32B10	. . . Screw, 4BA	1	-	
AS3180/8B	. . . CLIP	1	-	
AS3180/10B	. . . CLIP	2	-	
AS3181/10B	. . . CLIP Attaching parts for AS3180/8B, AS3180/10B and AS3181/10B :-	1	-	
A25/1B	. . . Bolt, 4BA	QR	-	
AGS2001B1	. . . Nut, stiff, 4BA	QR	-	
A32B10	. . . Screw	QR	-	
SP47B	. . . Washer, spring	QR	-	
703/1/00266	. . . COVER, terminal block	1	-	
703/2/00251	. . . LINK, commoning, 2-way	2	-	
5X9450393	. . . LUG, cable	2	-	
A26CT	. . . NUT, thin, 2BA, earthing	2	-	
AGS2001C1/66	. . . NUT, stiff, 2BA, earthing	2	-	

ELECTRICAL EQUIPMENT IN FRONT FUSELAGE

Part Number	Description	No. Off	Mtl. Spec.	Plate No.
A31C28	. . . SCREW, 2BA, earthing	1	-	
EEAS146A1	. . . SLEEVE, 3/4" long	4	-	
EEAS146C	. . . SLEEVE, 3/8" long	22	-	
HV3254	. . . STRAPPING	QR	-	
HV3255	. . . STUD	QR	-	
703/2/00315/020	. . . TAG, 4A	1	-	
703/2/00339/020	. . . THIMBLE, 4BA	1	-	
EEAS28/4EPH	. . . WASHER, earthing	2	Alum.	
EEAS28/20EPH	. . . WASHER, earthing	2	Alum.	
EG4.81.61	. WIRING, PRESSURE BULKHEAD TO FRAME 12	-	-	
	Spares for :-			
EG4.81.861	. . BLOCK, FUSE, ASSEMBLY	1	-	
	Spares for :-			
EB6.81.1049	. . . BASE, fuse block	1	-	
EB6.81.1043	. . . BOLT	2	-	
EG4.81.863	. . . COVER, fuse block, sub-assembly	1	-	
	Attaching parts for EG4.81.863 :-			
AS4565/7C	. . . Bolt, 2BA	2	-	
EB6.81.1047	. . . END, fuse block	2	-	
	Attaching parts for EB6.81.1047 :-			
A41B16	. . . Screw, 4BA	2	-	
A41B20	. . . Screw, 4BA	1	-	
A14GB	. . . NUT, 5/16" BSF	2	-	
AGS2002G4	. . . NUT, stiff, 5/16" BSF	2	-	
A33B16	. . . SCREW, 4BA	2	-	
AS2721	. . . WASHER, contact	4	-	
	Attaching parts for EG4.81.861 :-			
A31C24	. . . Screw, 2BA	2	-	
SP13C	. . . Washer	2	-	
EG4.81.867	. . BLOCK, FUSE, ASSEMBLY	1	-	
	Spares for :-			
EB6.81.1049	. . . BASE, fuse block	1	-	
EB6.81.1043	. . . BOLT	2	-	
EB6.81.1045	. . . COVER, fuse, sub-assembly	1	-	
	Attaching parts for EB6.81.1045 :-			
AS4565/7C	. . . Bolt, 2BA	2	-	
EB6.81.1047	. . . END, fuse block	2	-	
	Attaching parts for EB6.81.1047 :-			
A41B16	. . . Screw, 4BA	1	-	
A41B20	. . . Screw, 4BA	1	-	
A14GB	. . . NUT, 5/16" BSF	2	-	
AGS2002G4	. . . NUT, stiff, 5/16" BSF	2	-	
A33B16	. . . SCREW, 4BA	2	-	
AS2721	. . . WASHER, contact	5	-	
EEAS136	. . . BRACKET	12	-	
EB7.81.2389	. . . BRACKET	1	-	
AS3180/3C	. . . CLIP, cable fixing	2	-	
AS3180/4C	. . . CLIP, cable fixing	2	-	
AS3180/6C	. . . CLIP, cable fixing	1	-	
AS3180/8C	. . . CLIP, cable fixing	3	-	
AS3180/14C	. . . CLIP, cable fixing	1	-	
	Attaching parts for AS3180/3C, AS3180/4C, AS3180/6C, AS3180/8C and AS3180/14C :-			
AGS2001C1/66	. . . Nut, stiff, 2BA	QR	-	
A32C16	. . . Screw, 2BA	QR	-	
SP15C	. . . Washer	QR	-	

ELECTRICAL

ELECTRICAL EQUIPMENT IN FRONT FUSELAGE

Part Number	Description	No. Off	Mtl. Spec.	Plate No.
AS491/15	. . . CLIP, cable fixing	2	—	
AS491/18	. . . CLIP, cable fixing	2	—	
AS491/20	. . . CLIP, cable fixing	2	—	
AS491/22	. . . CLIP, cable fixing	9	—	
AS491/23	. . . CLIP, cable fixing	7	—	
AS491/28	. . . CLIP, cable fixing	4	—	
AS491/30	. . . CLIP, cable fixing	4	—	
AS491/35	. . . CLIP, cable fixing	1	—	
AS491/40	. . . CLIP, cable fixing	1	—	
AS1900C	. . . CLIP, cable fixing	4	—	
AS3180/3B	. . . CLIP, cable fixing	6	—	
AS3180/4B	. . . CLIP, cable fixing	4	—	
AS3180/5B	. . . CLIP, cable fixing	1	—	
AS3180/6B	. . . CLIP, cable fixing	19	—	
AS3180/7B	. . . CLIP, cable fixing	2	—	
AS3180/8B	. . . CLIP, cable fixing	8	—	
AS3180/10B	. . . CLIP, cable fixing	4	—	
AS3180/11B	. . . CLIP, cable fixing	8	—	
AS3180/12B	. . . CLIP, cable fixing	2	—	
AS3180/14B	. . . CLIP, cable fixing	1	—	
AS3180/16B	. . . CLIP, cable fixing	1	—	
AS3180/18B	. . . CLIP, cable fixing	1	—	
AS3181/6B	. . . CLIP, cable fixing	1	—	
AS3181/8B	. . . CLIP, cable fixing	2	—	
AS3181/10B	. . . CLIP, cable fixing	6	—	
AS3181/18B	. . . CLIP, cable fixing	1	—	
	Attaching parts for AS491/5, AS491/18, AS491/20, AS491/22, AS491/23, AS491/28, AS491/30, AS491/35, AS491/40, AS1900C, AS3180/3B, AS3180/4B, AS3180/5B, AS3180/6B, AS3180/7B, AS3180/8B, AS3180/10B, AS3180/11B, AS3180/12B, AS3180/14B, AS3180/16B, AS3180/18B, AS3181/6B, AS3181/8B, AS3181/10B and AS3181/18B :—			
A25/½B	. . . Bolt, 4BA	QR	—	
A25/1B	. . . Bolt, 4BA	QR	—	
AGS2001B1	. . . Nut, stiff, 4BA	QR	—	
A27BP	. . . Nut, 4BA	QR	—	
A31B12	. . . Screw, 4BA	QR	—	
A31B14	. . . Screw, 4BA	QR	—	
A31B16	. . . Screw, 4BA	QR	—	
A31B20	. . . Screw, 4BA	QR	—	
A32B16	. . . Screw, 4BA	QR	—	
SP15B	. . . Washer	QR	—	
SP47B	. . . Washer, spring	QR	—	
EA1.81.251	. . . GUIDE, strap, assembly	9	—	
AP19264	. . . FUSE, 40 amp, HRC	1	—	
EB6.81.835	. . . PLATE, attachment	4	—	
EEAS30/28DR	. . . PLATE	1	—	
	Attaching parts for EEAS30/28DR :—			
AS1248/2C	. . . Bolt, 4BA	1	—	
AGS2001C1/66	. . . Nut, stiff, 4BA	1	—	
SP13C	. . . Washer	1	—	

ELECTRICAL

ELECTRICAL EQUIPMENT IN FRONT FUSELAGE

Part Number	Description	No. Off	Mati. Spec.	Plate No.
EEAS73	. . . PLATE, clamp Attaching parts for EEAS73:—	14	—	
AS1248/1/2B	. . . Bolt, 4BA	QR	—	
AS1248/1B	. . . Bolt, 4BA	QR	—	
AGS2001B1	. . . Nut, stiff, 4BA	QR	—	
HV3254	. . . STRAP	QR	—	
HV3341	. . . STRAP	QR	—	
EEAS132/7	. . . STRAP	QR	—	
EEAS132/9	. . . STRAP	QR	—	
EEAS132/12	. . . STRAP	QR	—	
EEAS132/15	. . . STRAP	QR	—	
EEAS132/18	. . . STRAP	QR	—	
HV3255	. . . STUD	QR	—	
NY3255	. . . STUD	QR	—	
OP3255	. . . STUD	QR	—	
HV3342	. . . STUD	QR	—	
EA3.81.295	. . . WIRING, NOSE UNDERCARRIAGE Spares for:—	—	—	
R R E&I 7049	. . . BLOCK, terminal, type B, No. 1 Attaching parts for E&I 7049:—	1	—	
A27AP	. . . Nut, 6BA	2	—	
A33A20	. . . Screw, 6BA	2	—	
SP47A	. . . Washer, spring	2	—	
AS3180/3C	. . . CLIP, cable fixing Attaching parts for AS3180/3C:—	1	—	
AGS2001C1/86	. . . Nut, stiff, 2BA	1	—	
A32C16	. . . Screw, 2BA	1	—	
AS3180/3B	. . . CLIP, cable fixing	9	—	
AS3180/4B	. . . CLIP, cable fixing	1	—	
AS3180/9B	. . . CLIP, cable fixing Attaching parts for AS3180/3B, AS3180/4B and AS3180/9B:—	3	—	
A25/1B	. . . Bolt, 4BA	QR	—	
A27BP	. . . Nut, 4BA	QR	—	
A32B12	. . . Screw, 4BA	QR	—	
SP47B	. . . Washer, spring	QR	—	
DN1322Z Mk. 2 or DN1322Z Mk. 3	. . . SWITCH, micro . . . SWITCH, micro	1 1	— —	

CHAPTER EB

FIGURES TO BE ISSUED LATER

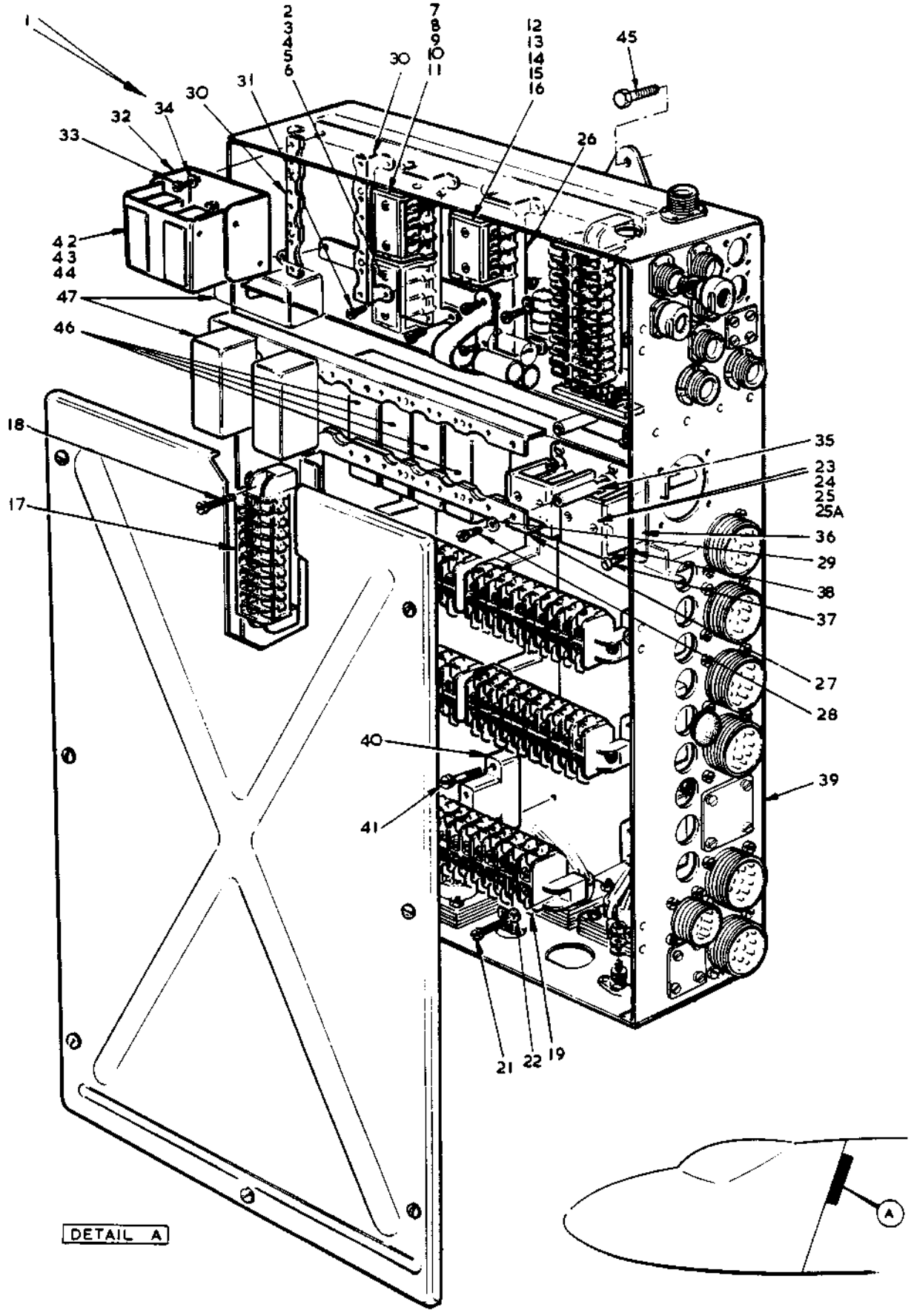


FIG. 2 ELECTRICAL EQUIPMENT IN FRONT FUSELAGE

CODE Z

SECT.EB

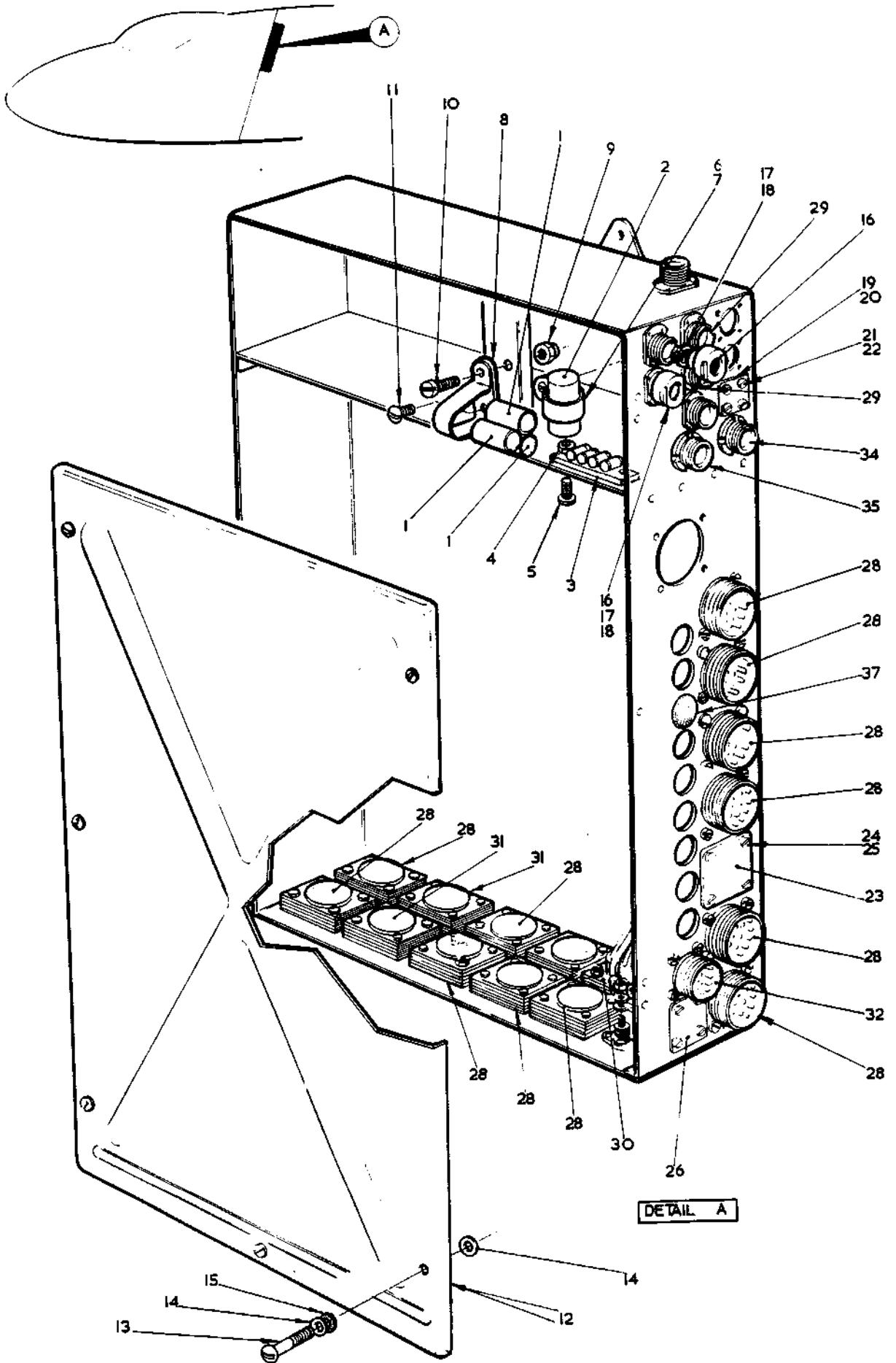


FIG. 3 ELECTRICAL EQUIPMENT IN FRONT FUSELAGE

CODE Z

SECT.EB

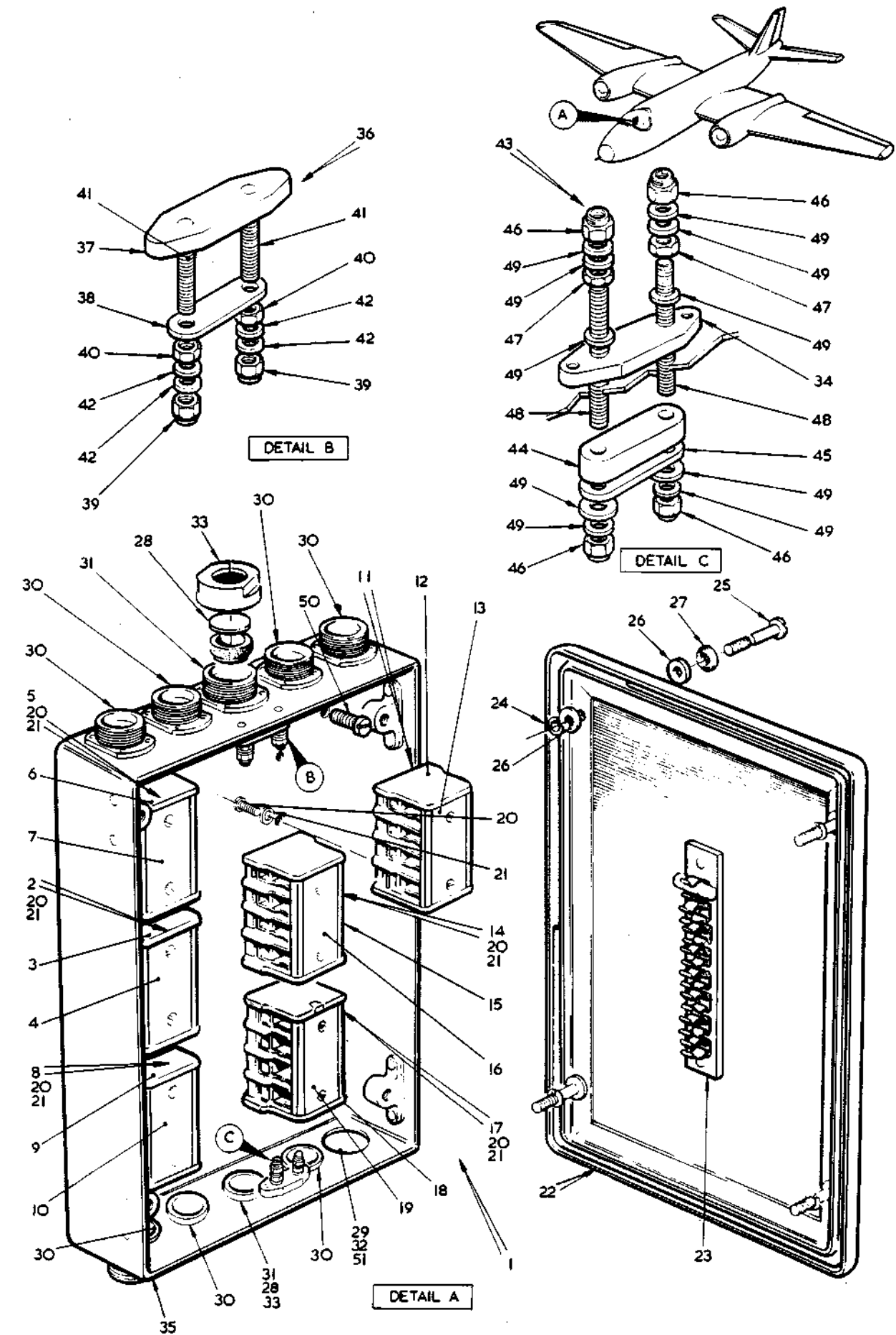


FIG. 4 ELECTRICAL EQUIPMENT IN FRONT FUSELAGE

CODE Z

SECT.EB

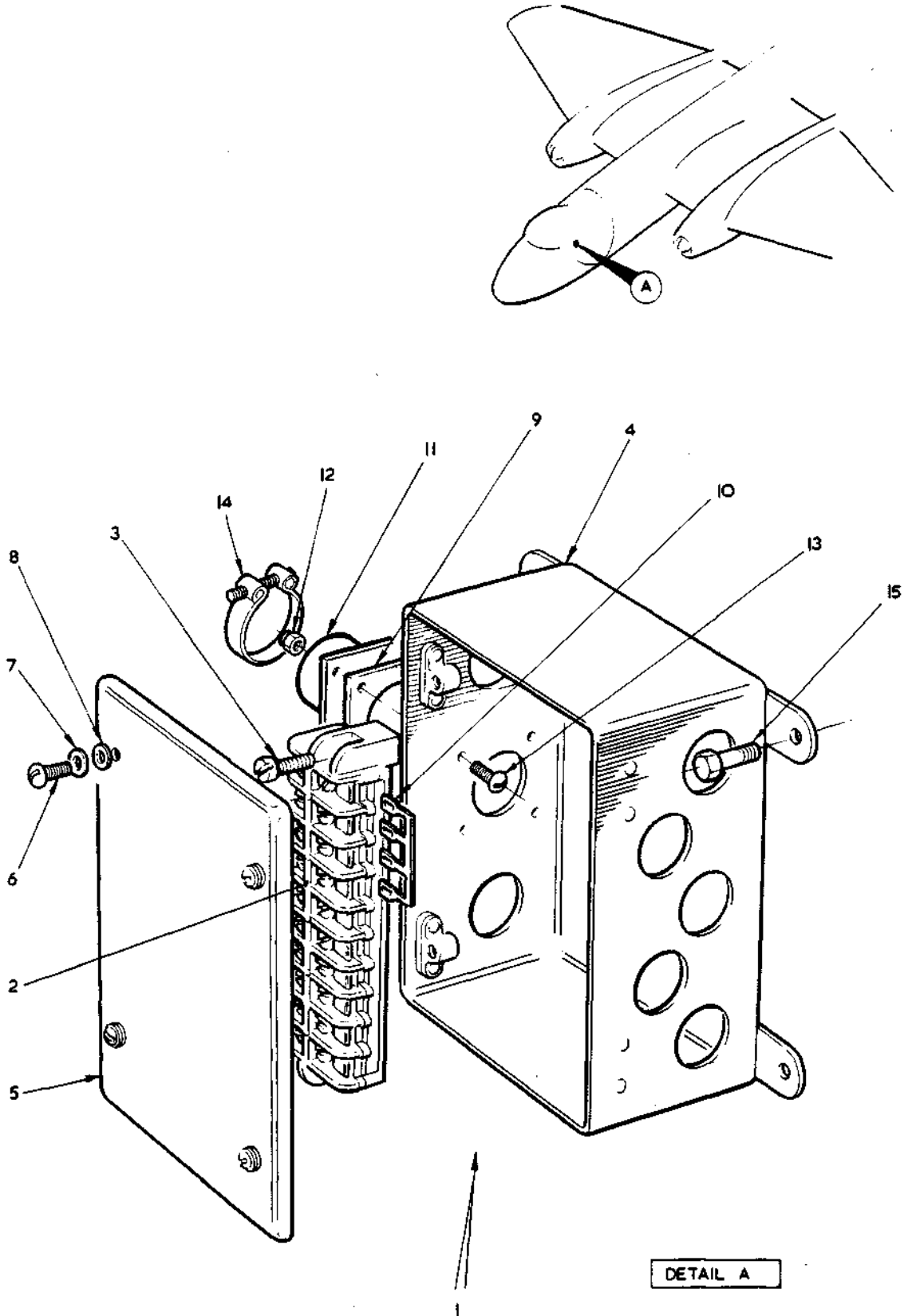


FIG. 5 ELECTRICAL EQUIPMENT IN FRONT FUSELAGE

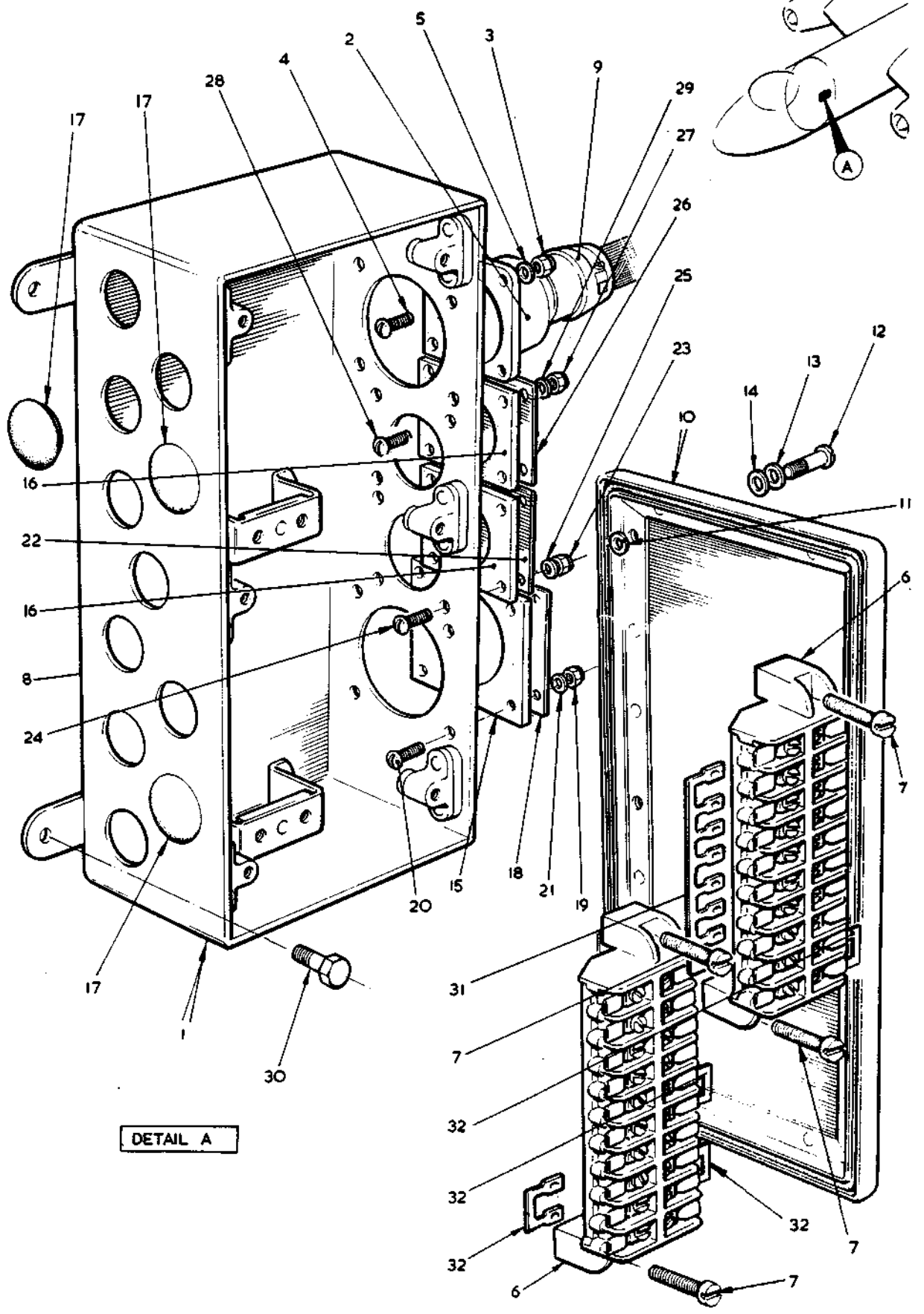


FIG. 6 ELECTRICAL EQUIPMENT IN FRONT FUSELAGE
CODE Z

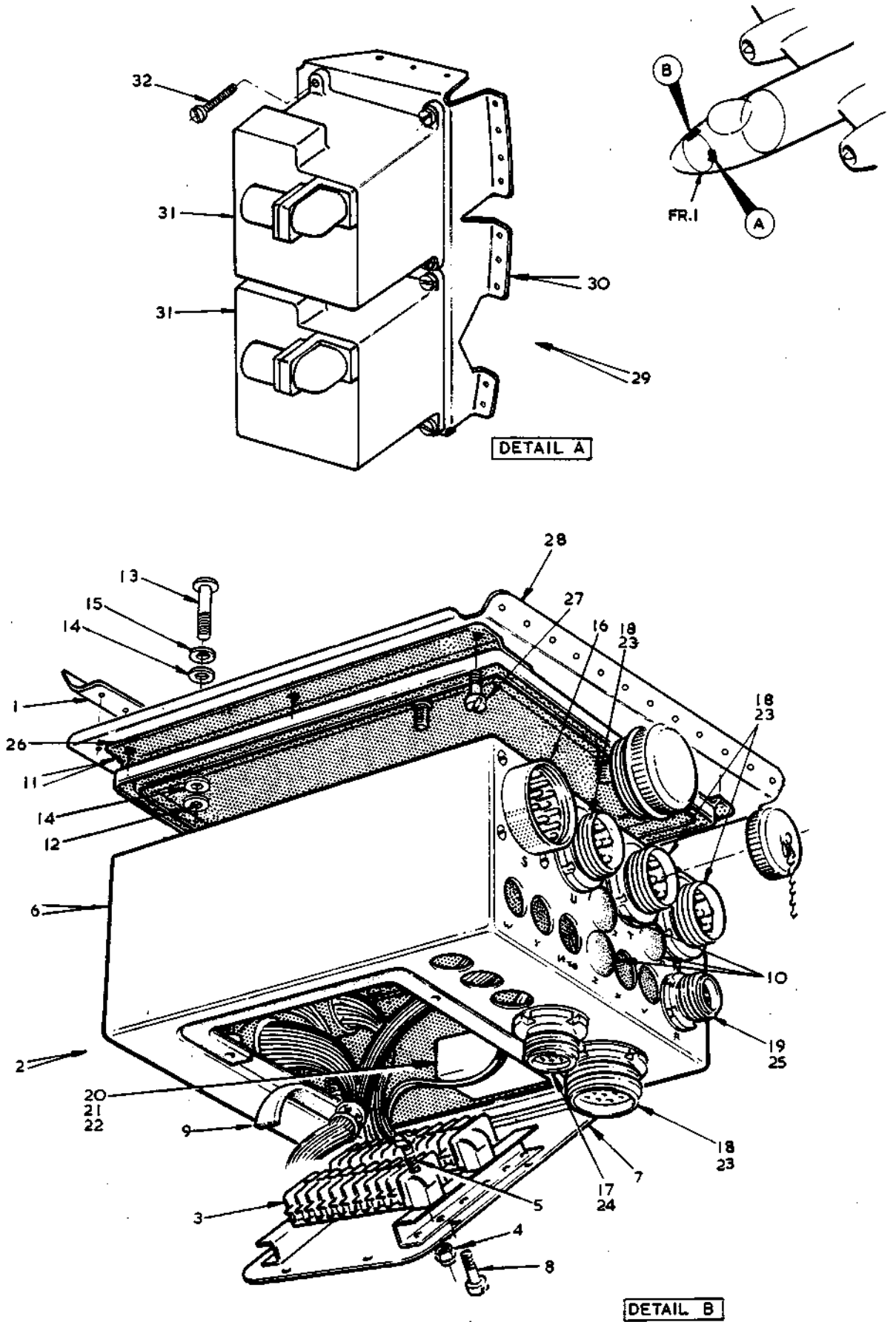


FIG. 7 ELECTRICAL EQUIPMENT IN FRONT FUSELAGE

CODE Z

SECT. EB

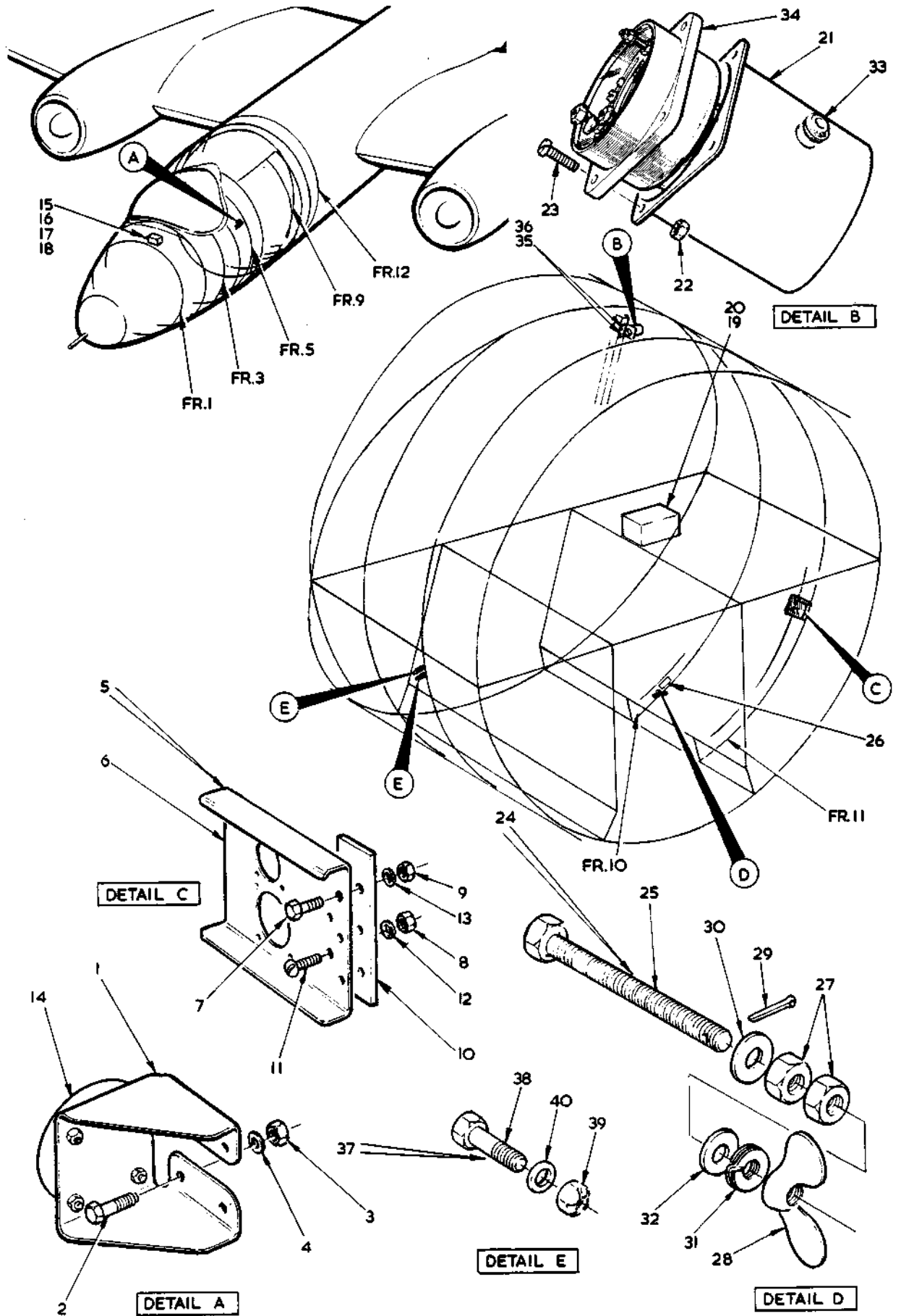


FIG. 8 ELECTRICAL EQUIPMENT IN FRONT FUSELAGE

CODE Z

SECT.EB

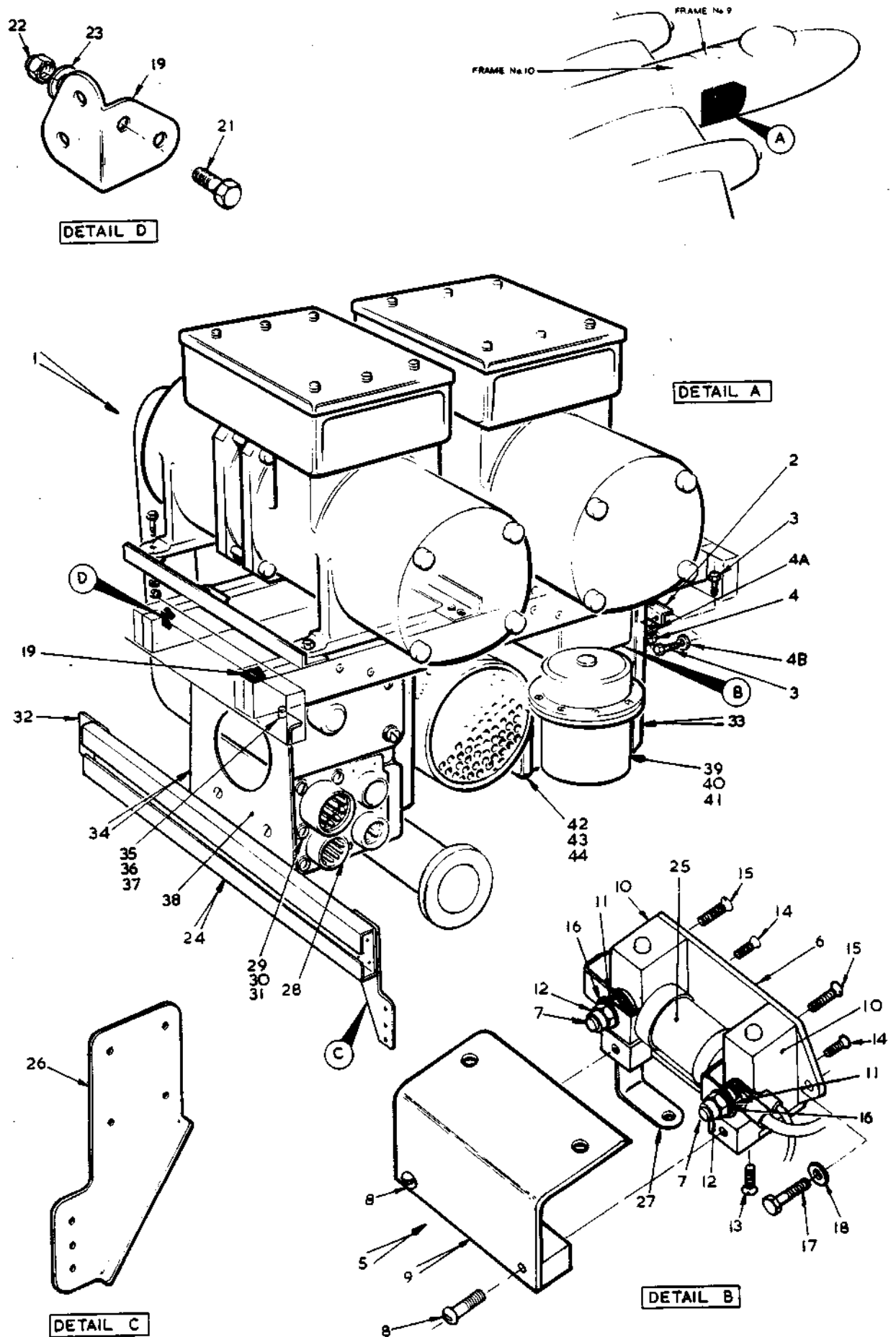


FIG. 9 ELECTRICAL EQUIPMENT IN FRONT FUSELAGE

CODE Z

SECT. EB

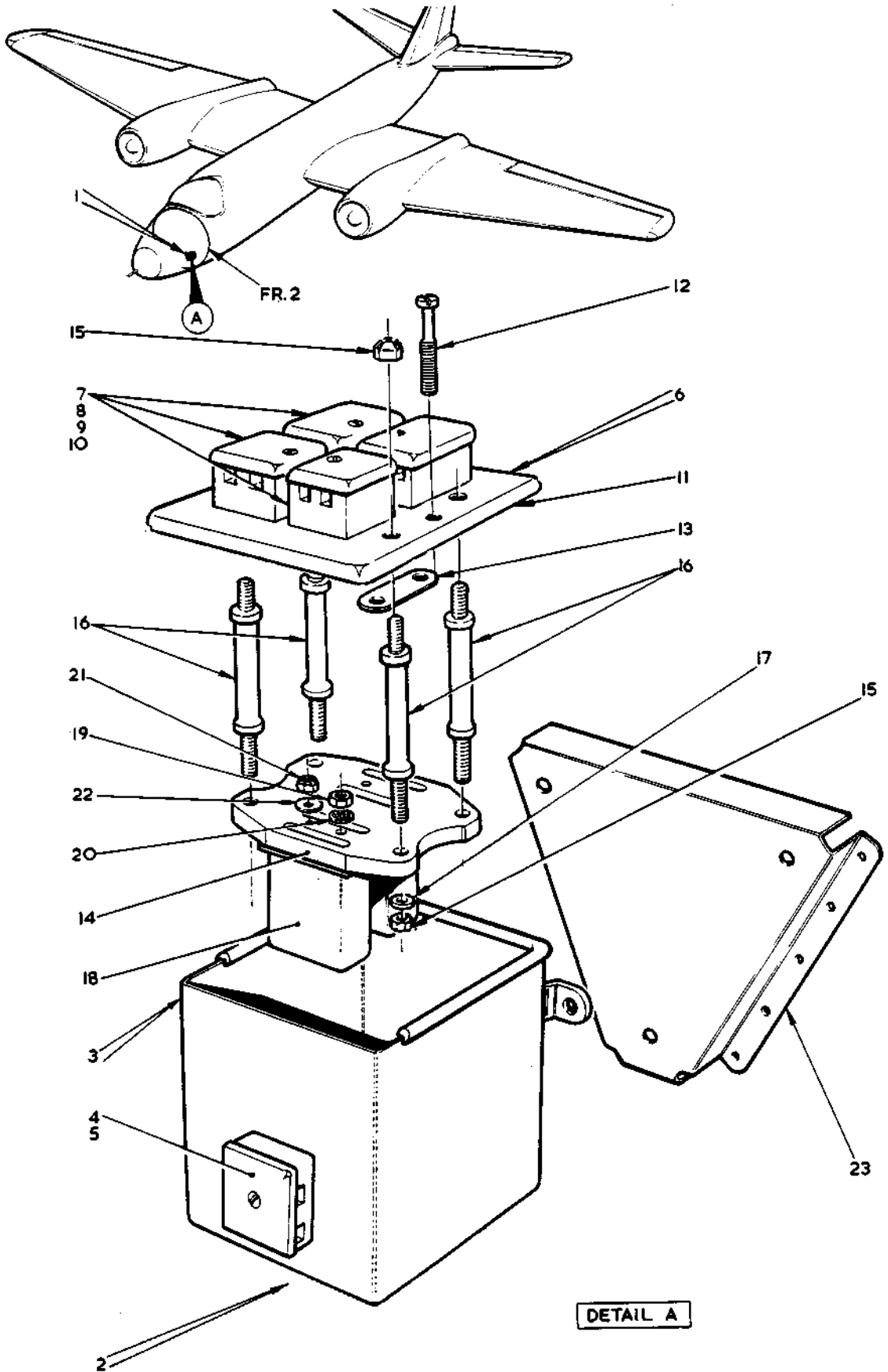


FIG. 11 ELECTRICAL EQUIPMENT IN FRONT FUSELAGE
CODE Z SECT. EB

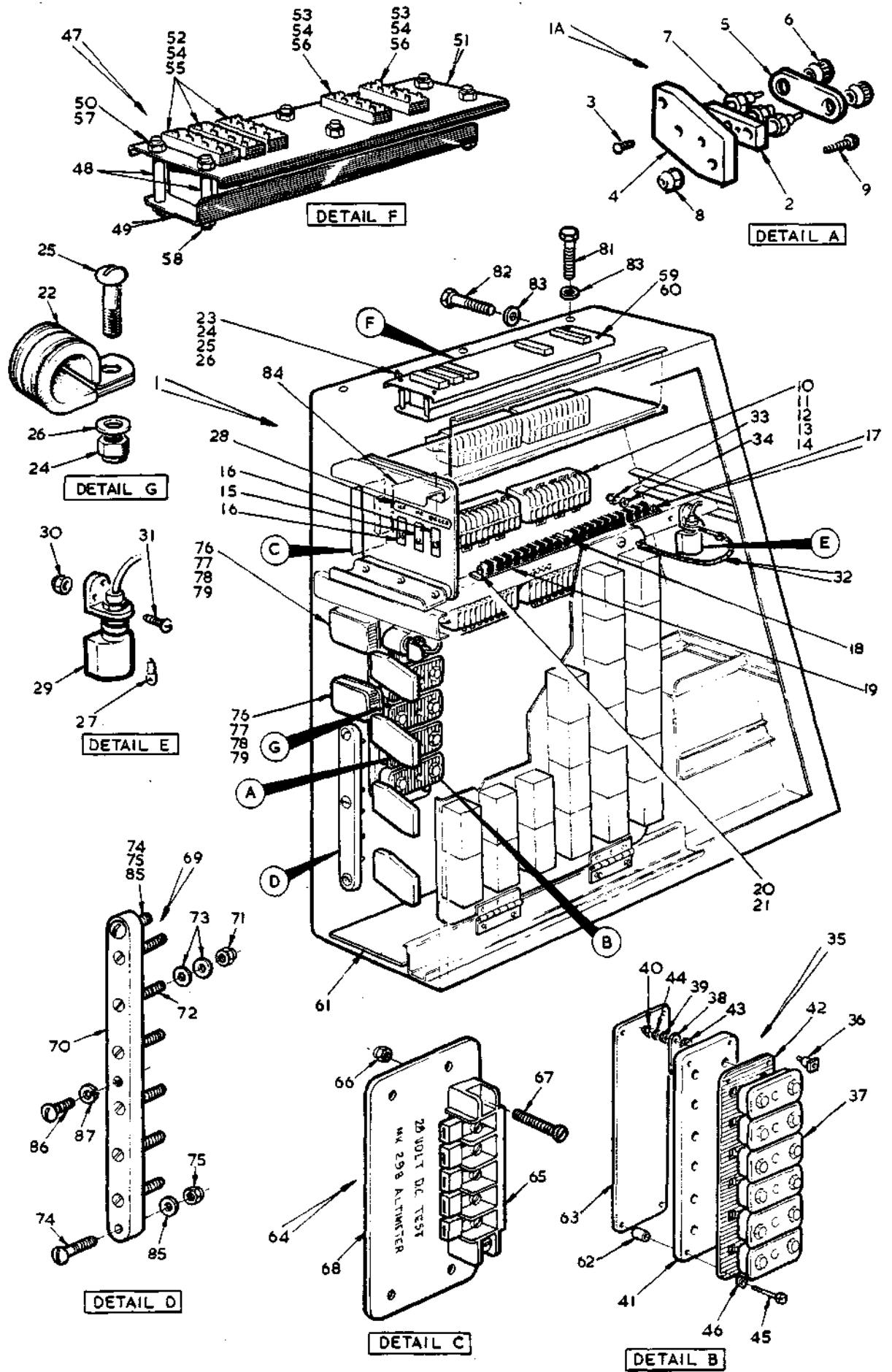


FIG. 12 ELECTRICAL EQUIPMENT IN FRONT FUSELAGE
CODE Z SECT. EB

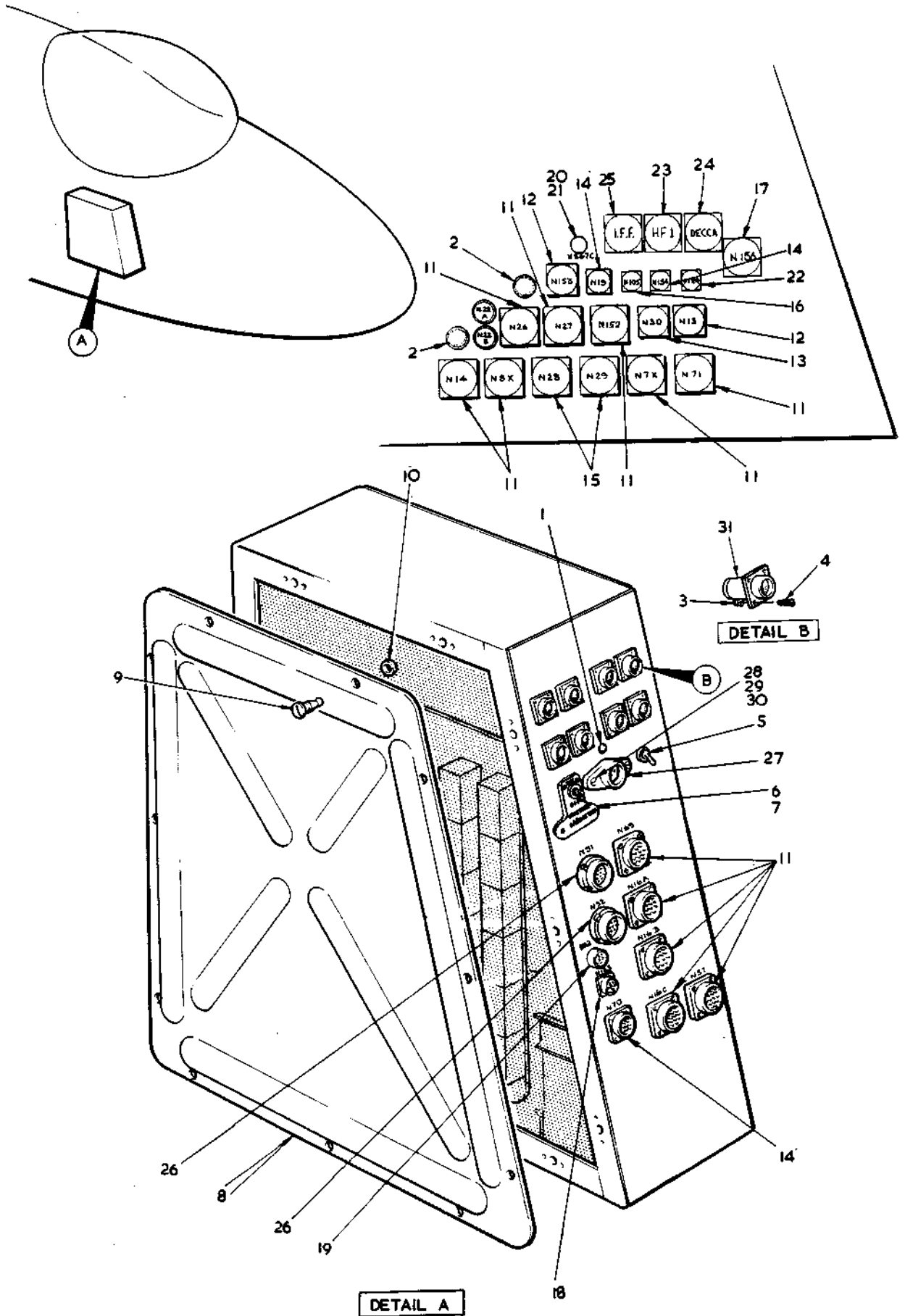
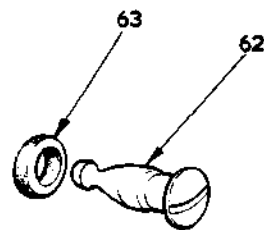
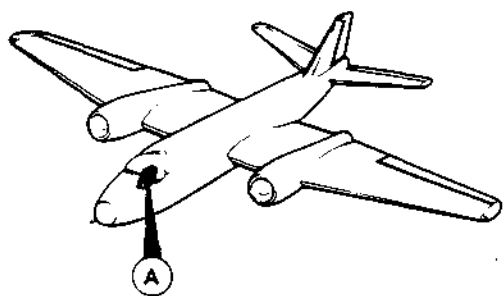
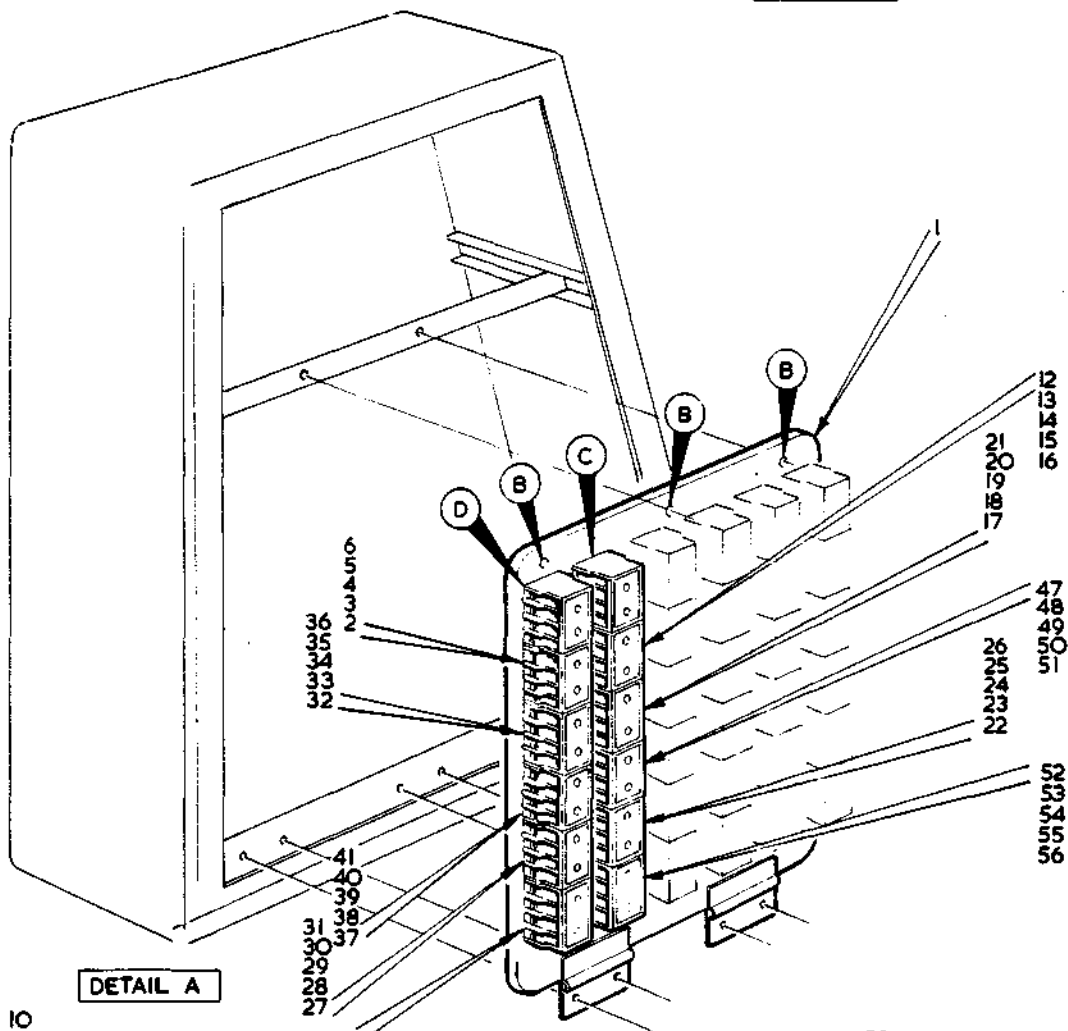


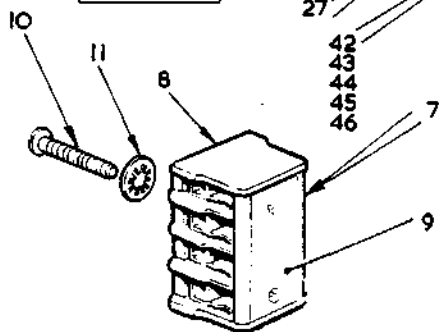
FIG. 13 ELECTRICAL EQUIPMENT IN FRONT FUSELAGE
CODE Z SECT. EB



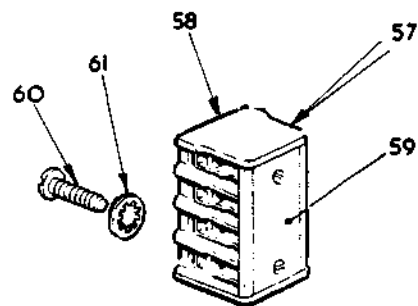
DETAIL B



DETAIL A



DETAIL D



DETAIL C

FIG. 14 ELECTRICAL EQUIPMENT IN FRONT FUSELAGE
CODE Z SECT. EB

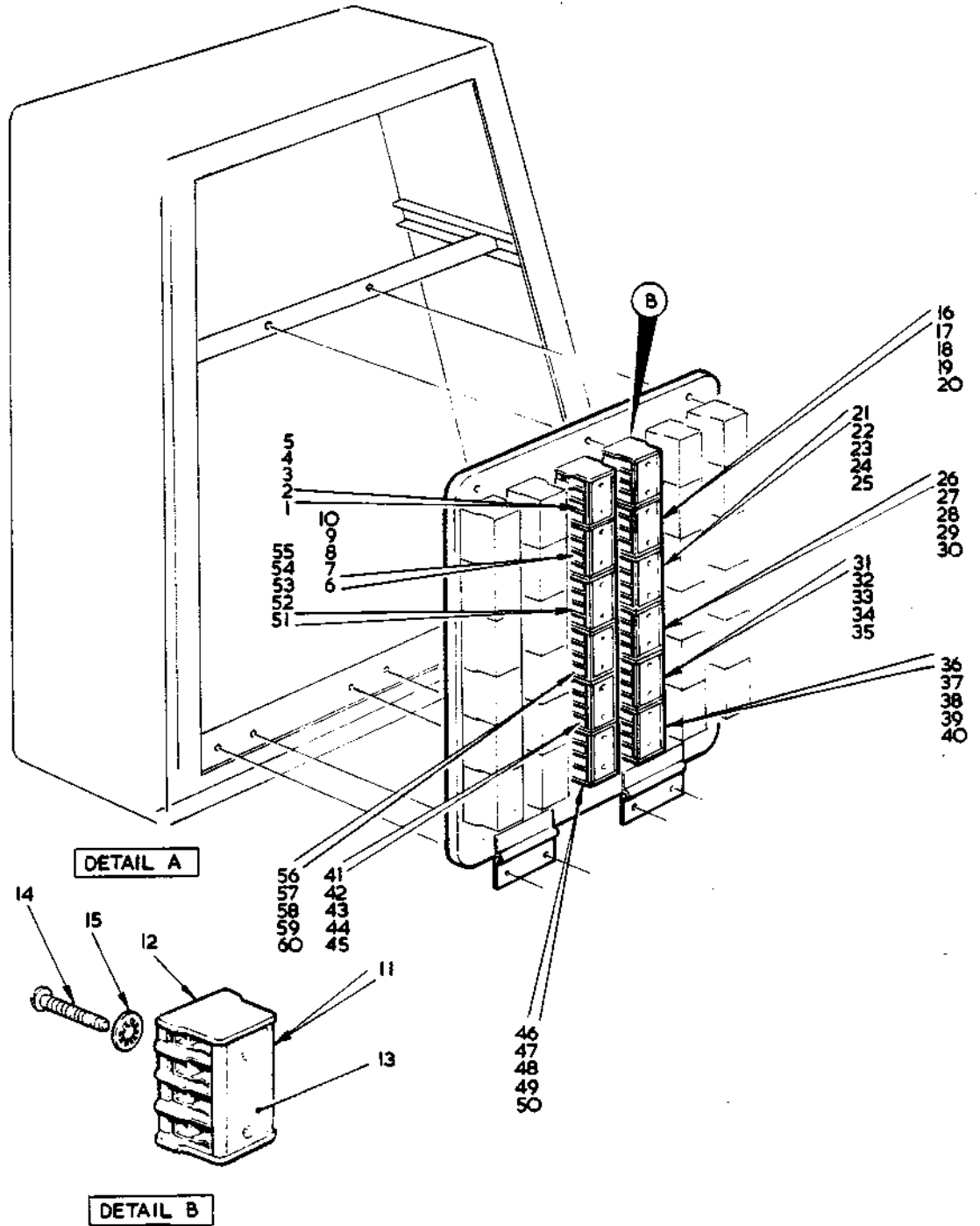
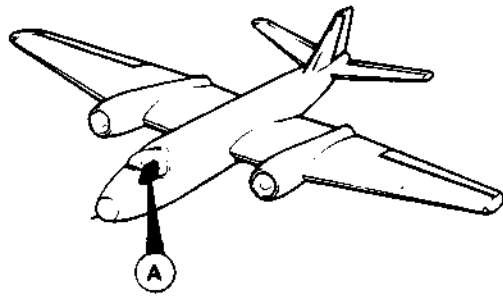


FIG. 14A ELECTRICAL EQUIPMENT IN FRONT FUSELAGE
CODE Z SECT. EB

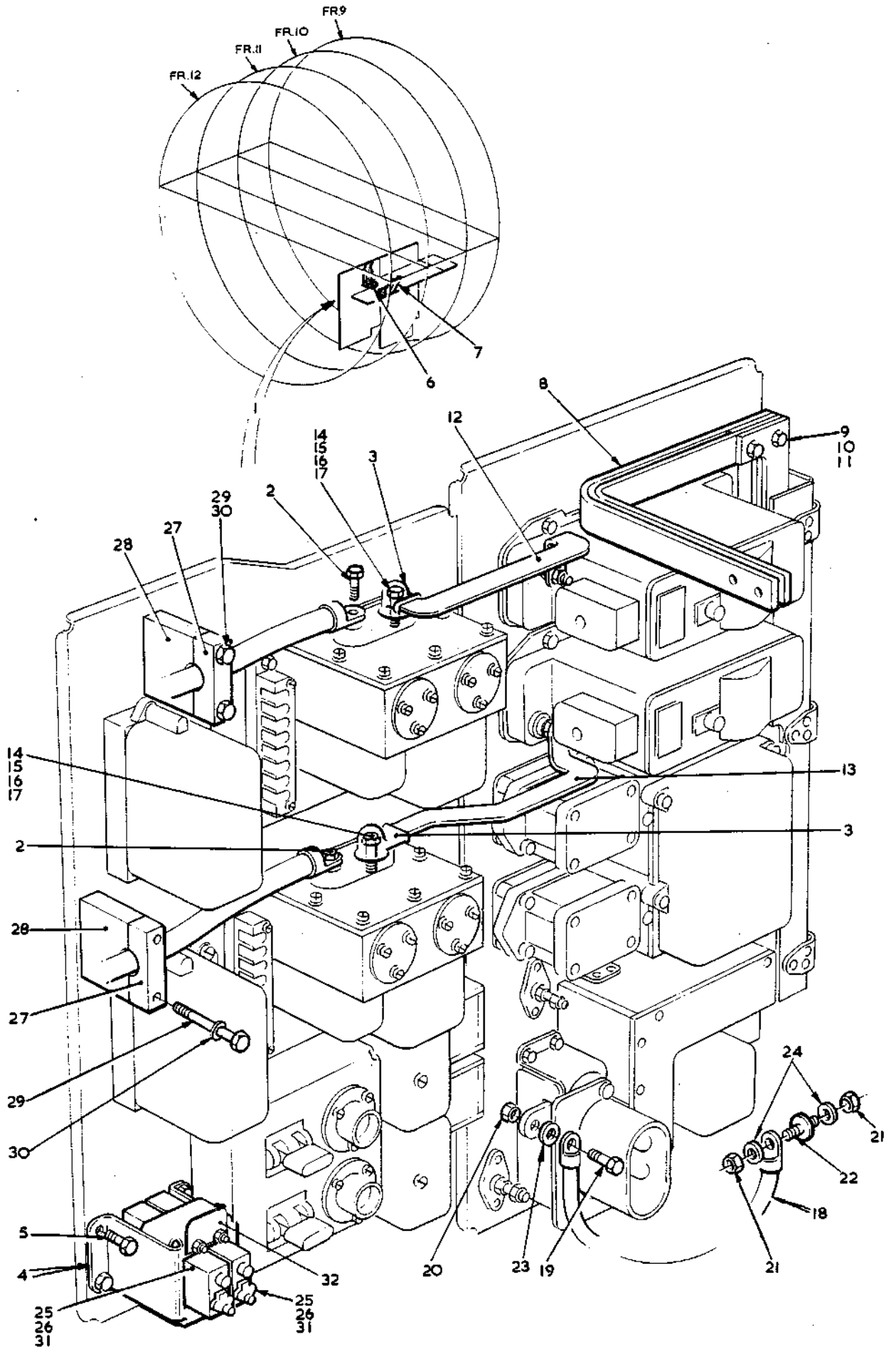
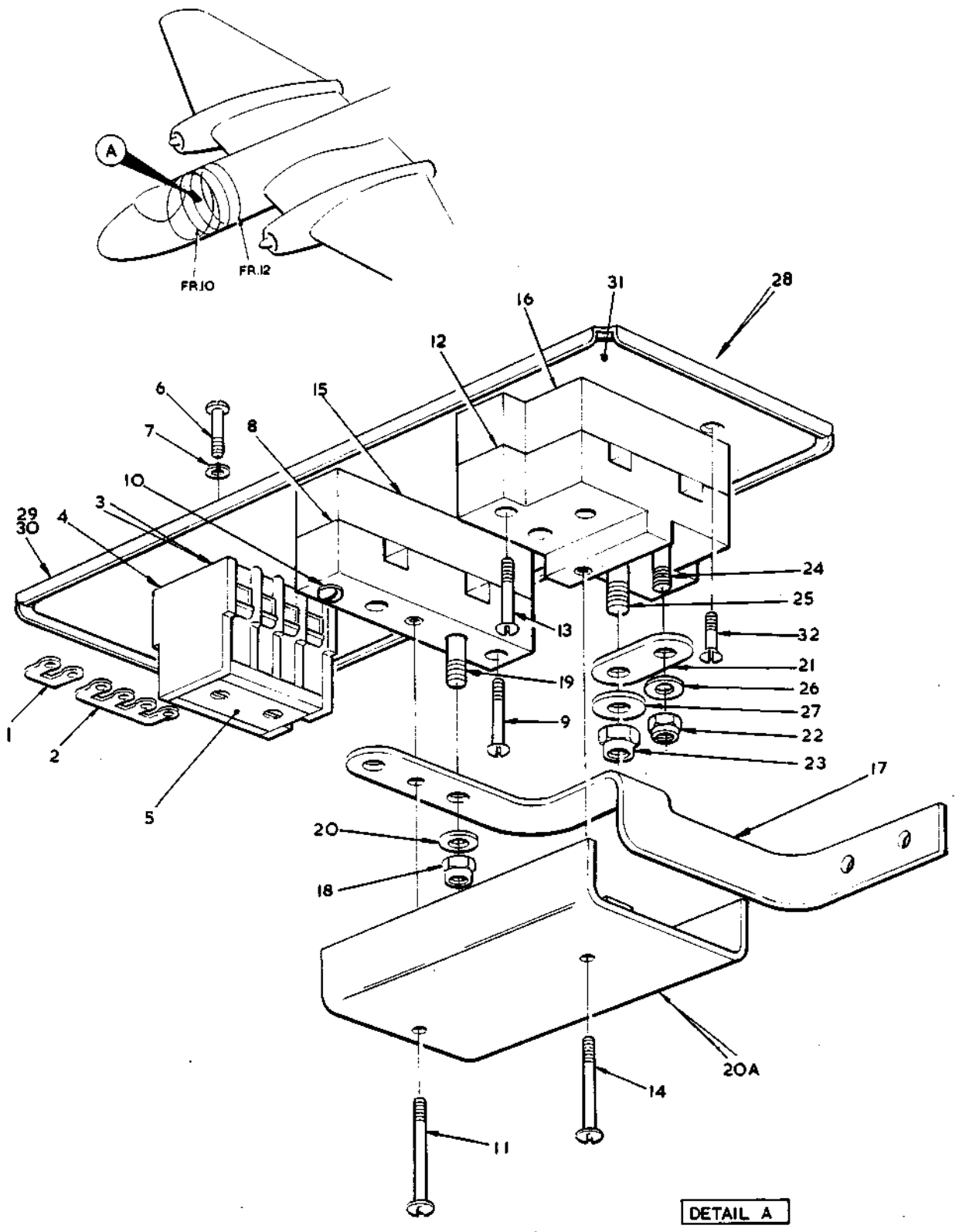


FIG. 15 ELECTRICAL EQUIPMENT IN FRONT FUSELAGE

CODE Z

SECT. EB



CODE Z **FIG. 16 ELECTRICAL EQUIPMENT IN FRONT FUSELAGE** SECT.EB

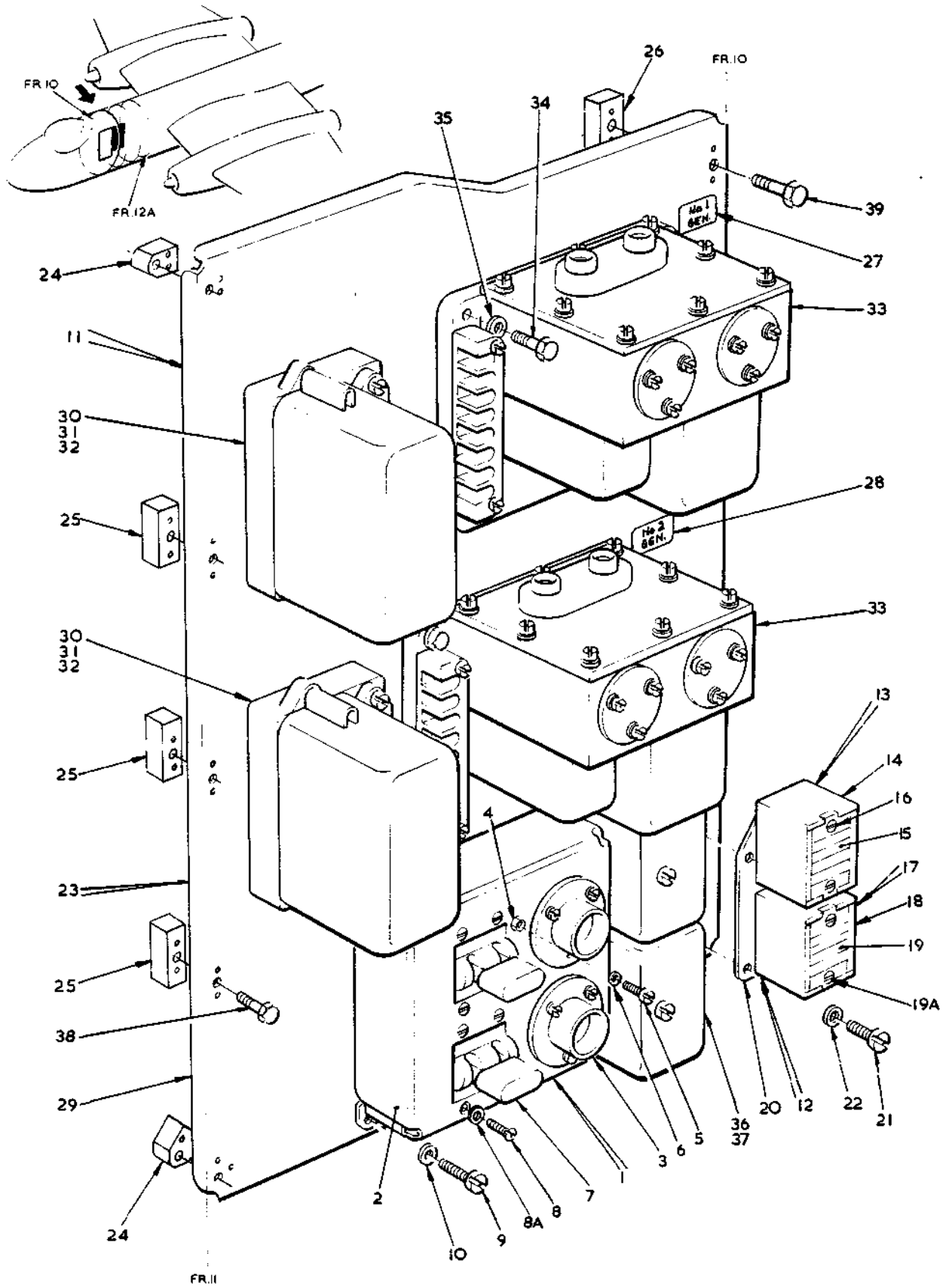


FIG. 17 ELECTRICAL EQUIPMENT IN FRONT FUSELAGE
CODE Z SECT.EB

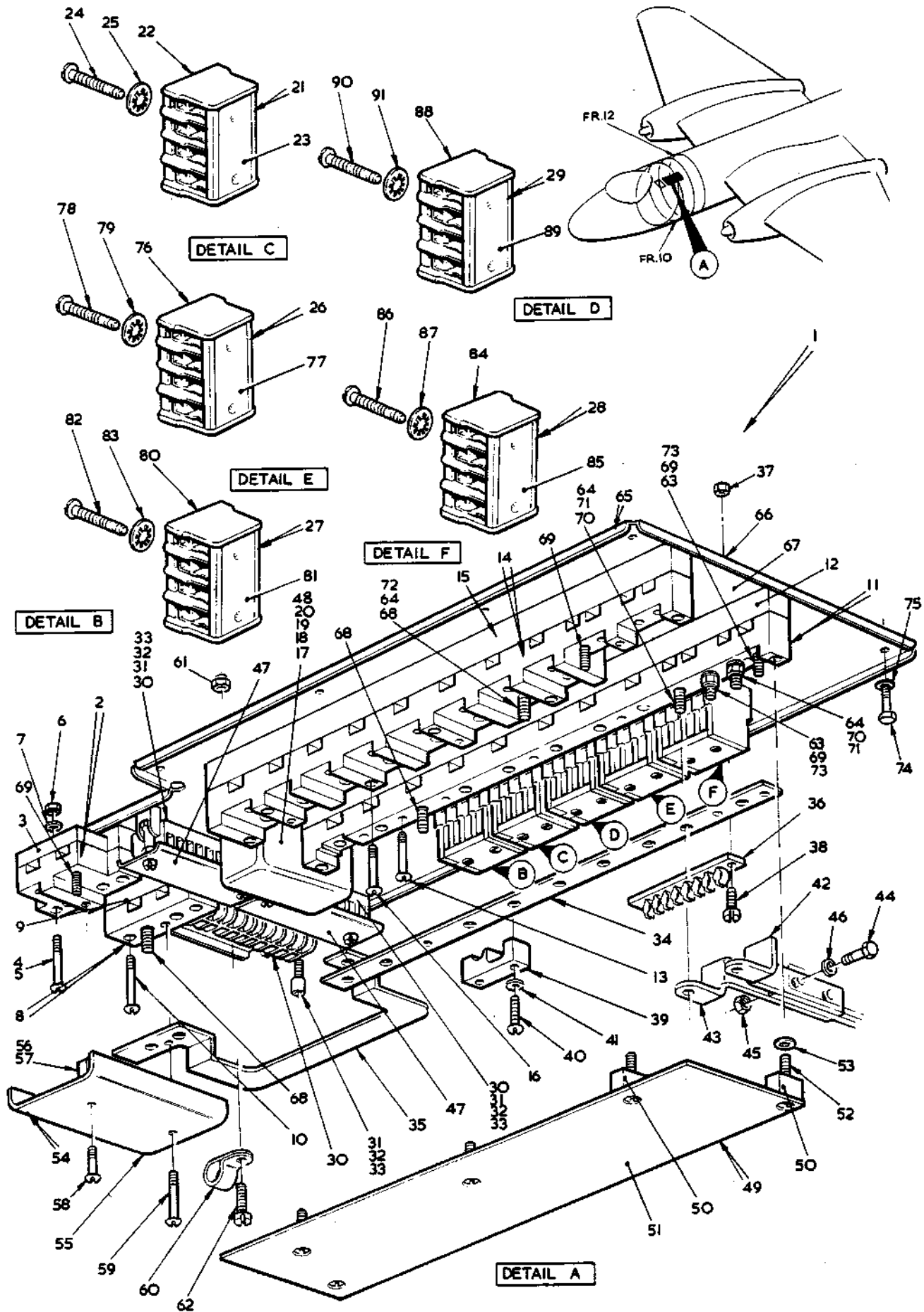


FIG. 19 ELECTRICAL EQUIPMENT IN FRONT FUSELAGE

CODE Z

SECT.EB

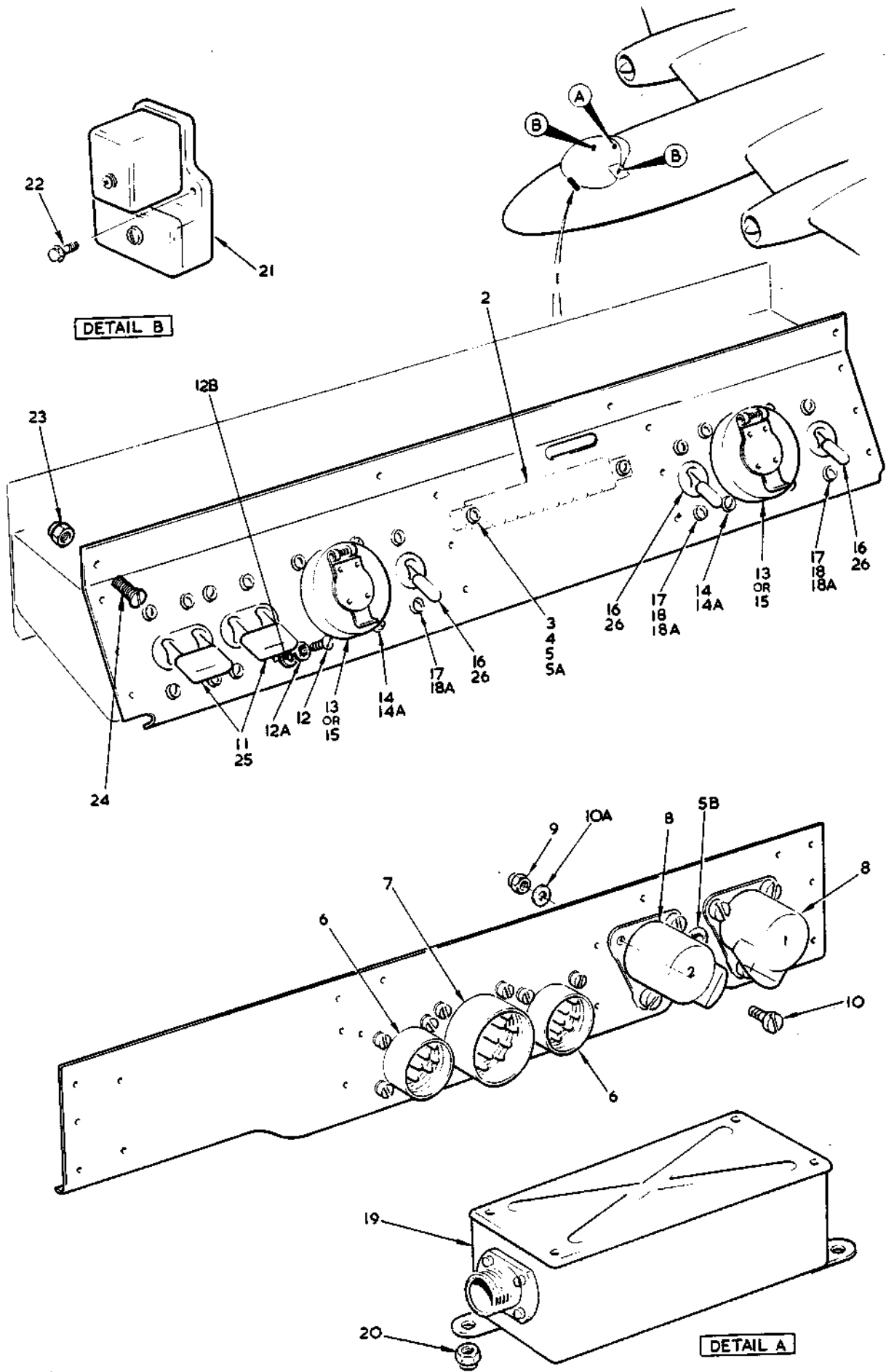
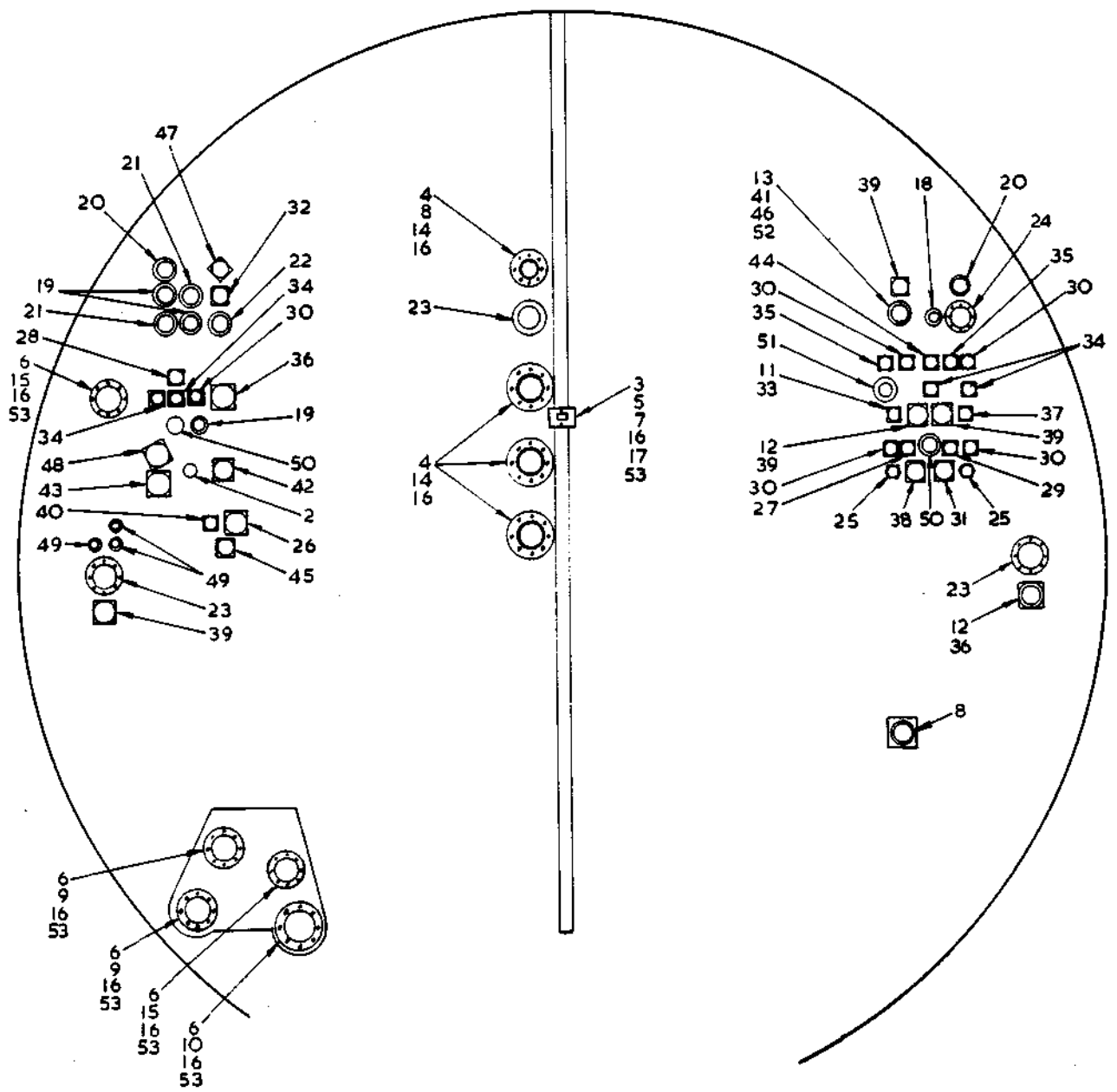


FIG. 20 ELECTRICAL EQUIPMENT IN FRONT FUSELAGE

CODE Z

SECT. EB



VIEW ON
FRONT FACE OF
PRESSURE BULKHEAD

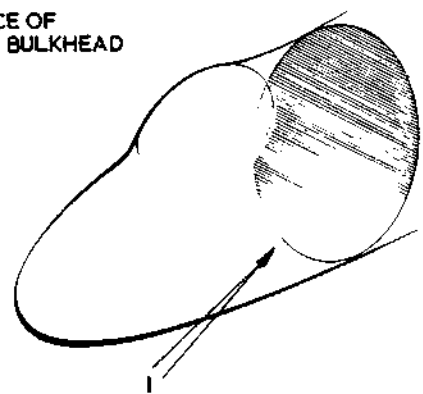


FIG. 21 ELECTRICAL EQUIPMENT IN FRONT FUSELAGE
CODE Z SECT. EB

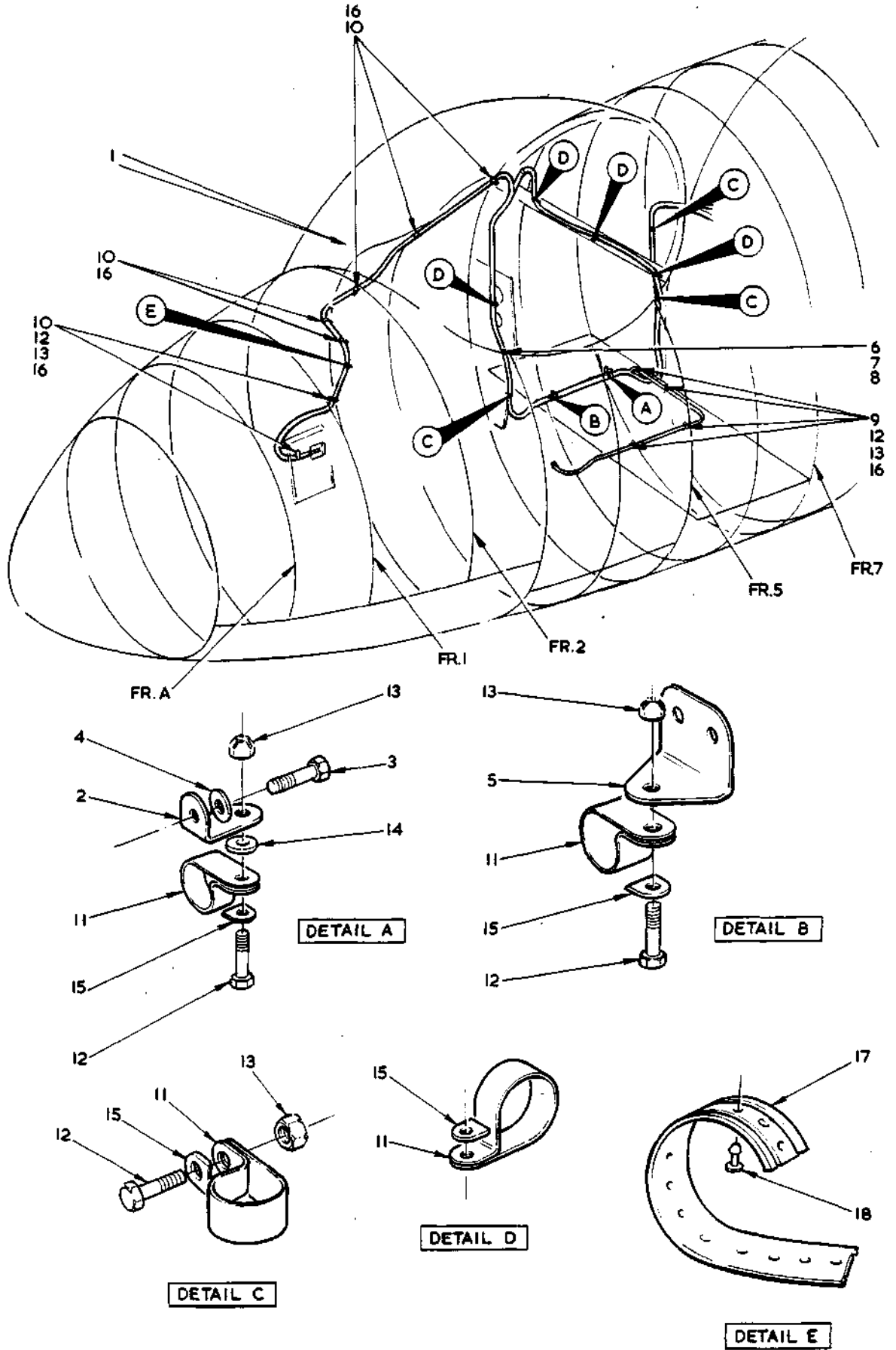


FIG.22 ELECTRICAL EQUIPMENT IN FRONT FUSELAGE

CODE Z

SECT.EB

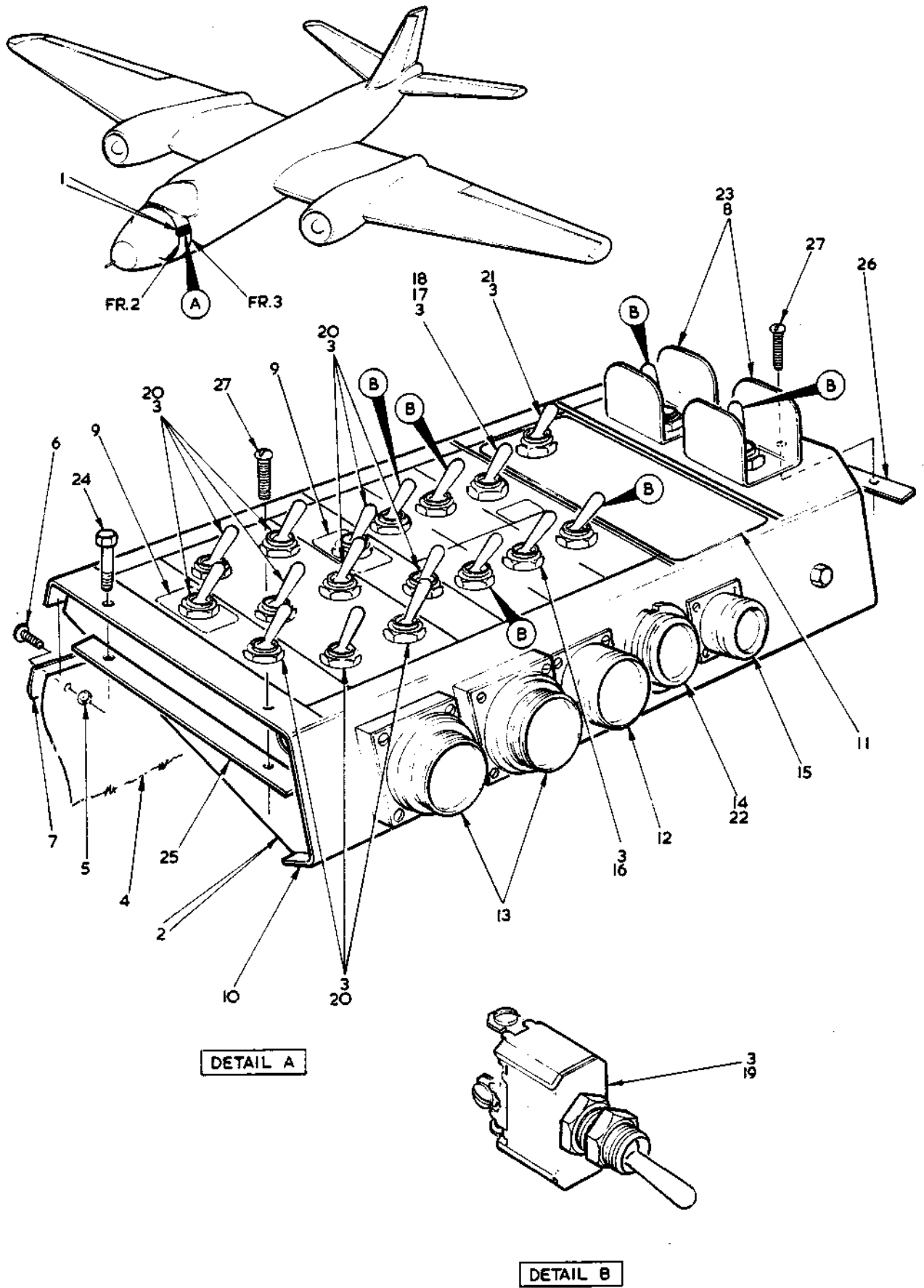


FIG. 22A ELECTRICAL EQUIPMENT IN FRONT FUSELAGE
CODE Z SECT. EB

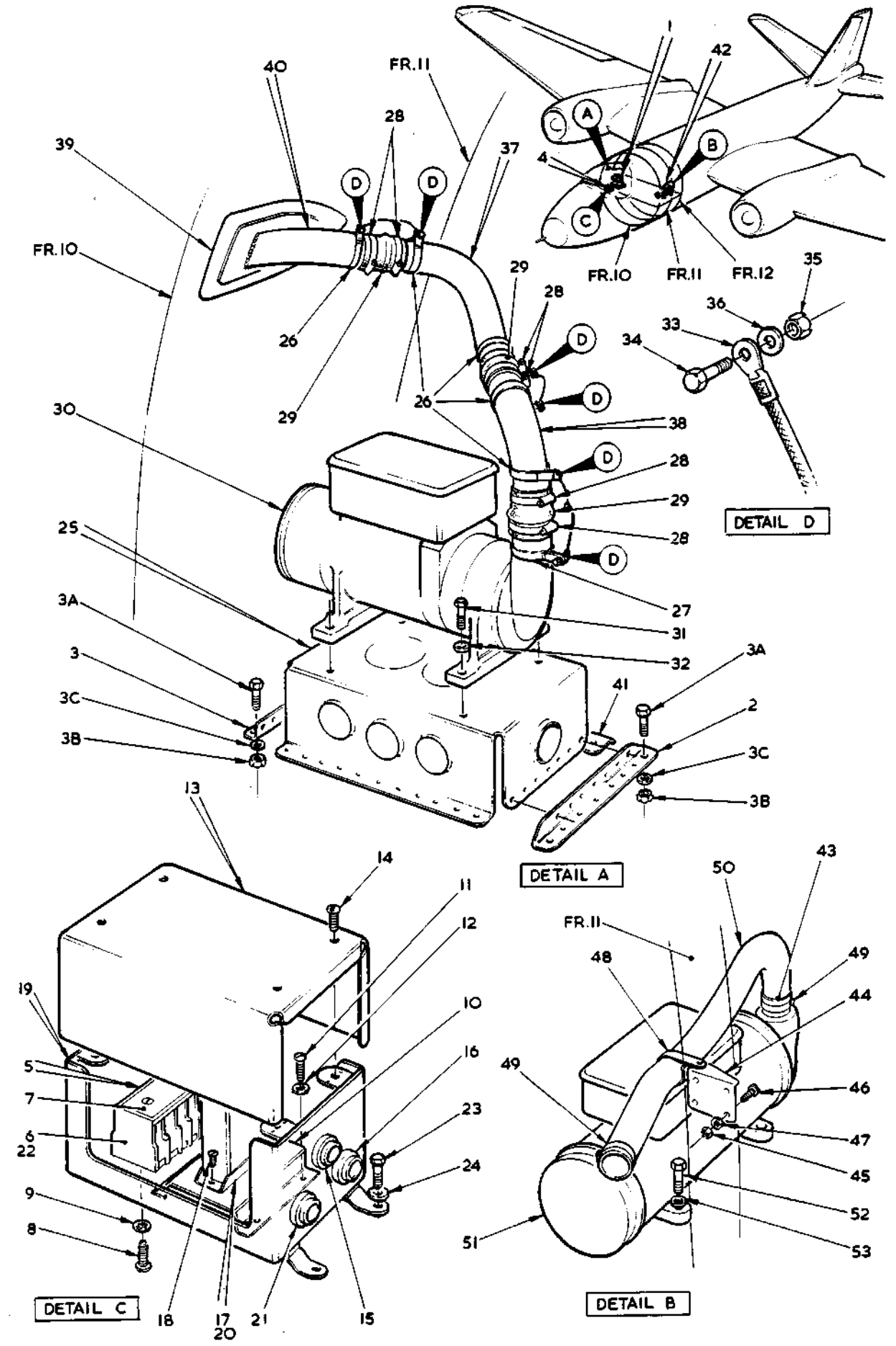


FIG. 23 ELECTRICAL EQUIPMENT IN FRONT FUSELAGE
CODE Z SECT.EB

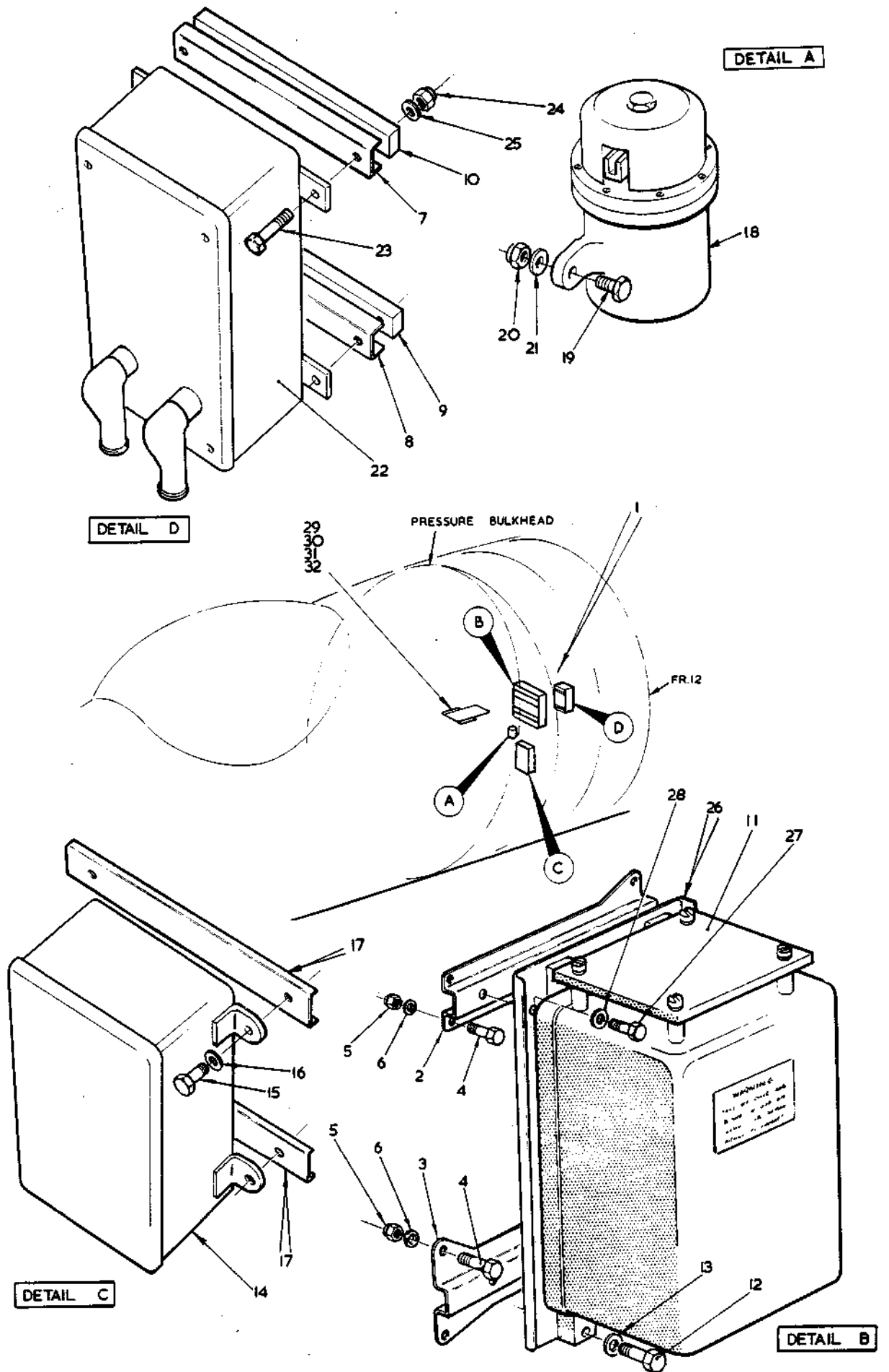


FIG. 24 ELECTRICAL EQUIPMENT IN FRONT FUSELAGE
CODE 2 SECT. EB

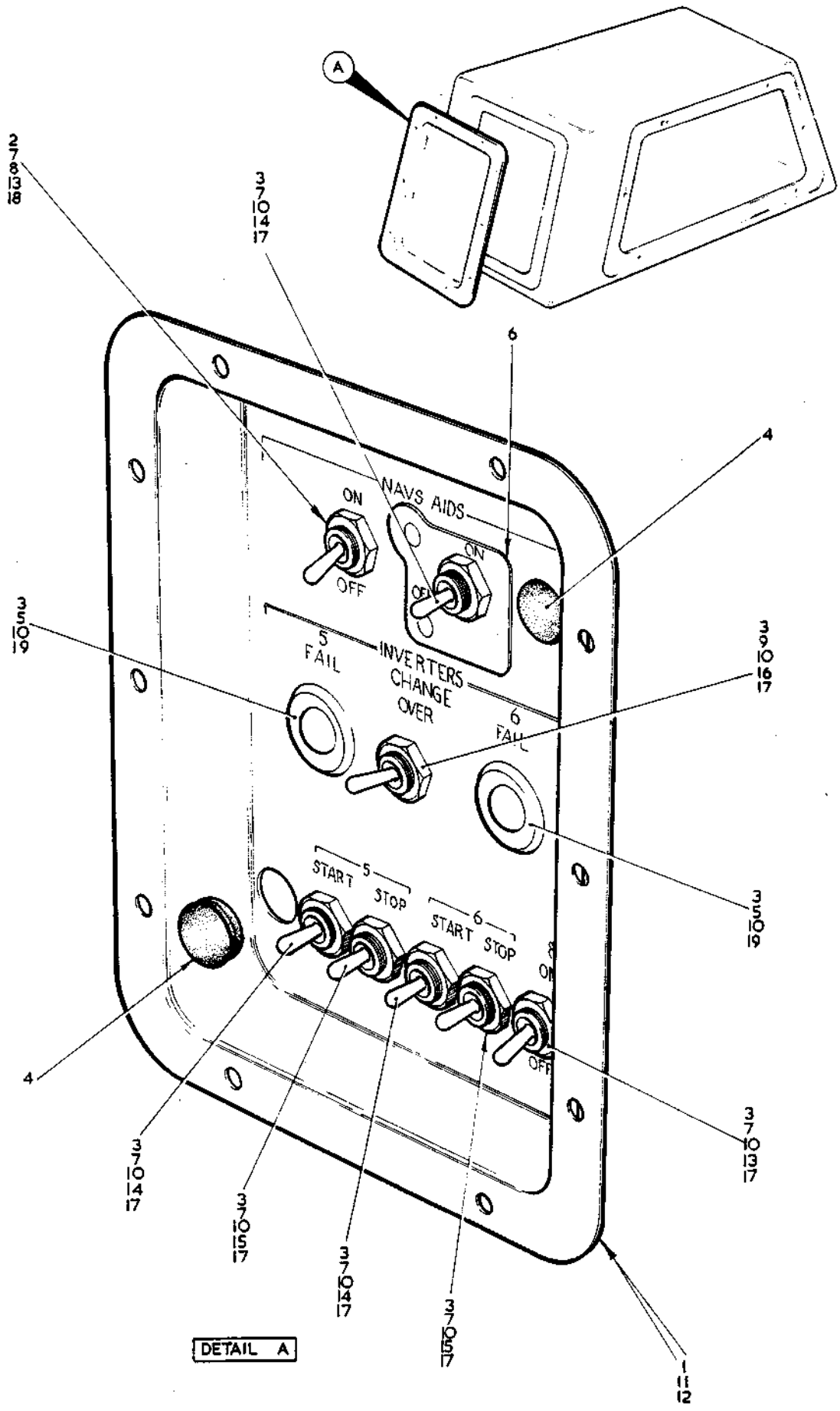


FIG. 25 ELECTRICAL EQUIPMENT IN FRONT FUSELAGE
CODE Z SECT. EB

This file was downloaded
from the RTFM Library.
Link:www.scottbouch.com/rtfm

Please see site for usage terms,
and more aircraft documents.

