

AP101B-0415-3A

ELECTRICAL
ELECTRICAL EQUIPMENT IN REAR FUSELAGE

Part Number	Description	No. Off	Matl. Spec.	Plate No.
EG4.81.2811	ELECTRICAL EQUIPMENT, REAR FUSELAGE ASSEMBLY Spares for:—	—	—	
E.E. CO. LTD. BRADFORD 5W4520728 E.E. CO. LTD. BRADFORD 5W4520729 5CY430	. ACTUATOR, rudder bias, type 258, M. B6	1	—	EC1/1
	. ACTUATOR, tail plane, type AE4022, Mk.2	1	—	EC1/2
	. BLOCK, terminal	1	—	EC1/3
	Attaching parts for Ref. 5CY430:—			
A33A20	. Screw, 68A	2	—	EC1/4
EG4.81.2997	. BOX, JUNCTION No.6, ASSEMBLY Spares for:—	1	—	EC1/5
703-1-00249	. BLOCK, terminal, 20-way Attaching parts for 703-1-00249:—	2	—	EC1/6
A43B24	. Screw, 48A	2	—	EC1/7
SP47B	. Washer	2	—	EC1/8
EB6.81.3703	. BOX, junction, 40-way	1	—	EC1/9
UNINYVIN 8	. CABLE, uninyvin 8	QR	—	EC1/10
UNIMINYVIN 16	. CABLE, uniminyvin 16	QR	—	EC1/10A
EB7.81.963	. COVER, assembly Attaching parts for EB7.81.963:—	1	—	EC1/11
EEAS117-1	. Screw	6	S92	EC1/12
EEAS28-2CU	. Washer	12	DTD124A	EC1/13
EEAS42	. Washer	6	Leather	EC1/14
508-4-11290-004	. GASKET, sealing	1	—	EC1/15
508-4-11290-006	. GASKET, sealing	1	—	EC1/16
Z22634	. GROMMET, dummy	5	—	EC1/17
703-2-00252	. LINK, 3-way	1	—	EC1/18
703-2-00255	. LINK, 6-way	1	—	EC1/18A
2CZ111406	. PLUG	1	—	EC1/19
2CZ111412	. PLUG	1	—	EC1/20
508-2-11232-002	. SLEEVE, 4-7 amp	12	—	
EEAS146-6-3-8	. SLEEVE	QR	—	
EEAS146-16-1-4	. SLEEVE	QR	—	
EEAS146-16-3-4	. SLEEVE	QR	—	
EEAS146-20-1-4	. SLEEVE	QR	—	
EEAS146-20-3-4	. SLEEVE	QR	—	
HC490	. TAG, QR	QR	—	
HC500	. TAG, QR	QR	—	
	Attaching parts for EG4.81.2997:—			
A25-1C	. Bolt, 2BA	4	—	EC1/21
AGS2001C1-66	. Nut, 2BA	4	—	EC1/22
SP13C	. Washer	4	—	EC1/23
EA1.81.252	. BRACKET, cable strap	2	—	EC1/24
EB7.81.435	. BRACKET, relay panel	4	—	EC1/25
EA1.81.367	. BRACKET, plug mounting Attaching parts for EA1.81.367:—	1	—	EC1/26
A31B8	. Screw, 48A	4	—	EC1/27
EEAS136	. BRACKET, cable clip	2	—	EC1/28
EB7.81.2389	. BRACKET, cable clip	1	—	EC1/29
EB7.81.331	. BRACKET, cable clamp	1	—	EC1/30
416125-10	. CAP, protective	2	—	EC1/31

R

ELECTRICAL

ELECTRICAL EQUIPMENT IN REAR FUSELAGE

Part Number	Description	No. Off	Matl. Spec.	Plate No.
EB7.81.805	. CLAMP, cable Attaching parts for EB7.81.805 :-	1	LFS21	EC1/32
A25/13B	. Bolt, 4BA	2	-	EC1/33
AGS2001B3	. Nut, 4BA	2	-	EC1/34
SP13B	. Washer	2	-	EC1/35
AS3180/3B	. CLIP, 'P', rubber covered	2	-	EC1/36
AS3180/4B	. CLIP, 'P', rubber covered	5	-	EC1/37
AS3180/6B	. CLIP, 'P', rubber covered	8	-	EC1/38
AS3180/7B	. CLIP, 'P', rubber covered	3	-	EC1/39
AS3180/8B	. CLIP, 'P', rubber covered	1	-	EC1/40
AS3180/9B	. CLIP, 'P', rubber covered	2	-	EC1/41
AS3180/12B	. CLIP, 'P', rubber covered	5	-	EC1/42
AS3180/13B	. CLIP, 'P', rubber covered	1	-	EC1/43
AS3180/14B	. CLIP, 'P', rubber covered	8	-	EC1/44
AS3180/18B	. CLIP, 'P', rubber covered Attaching parts for AS3180/3B, AS3180/4B, AS3180/6B, AS3180/7B, AS3180/8B, AS3180/9B, AS3180/12B, AS3180/13B, AS3180/14B and AS3180/18B :-	-	-	EC1/45
AS1246/1B	. Bolt, 4BA	QR	-	EC1/46
A25/1B	. Bolt, 4BA	QR	-	EC1/47
A25/2B	. Bolt, 4BA	QR	-	EC1/48
AGS2001B1	. Nut, stiff, 4BA	QR	-	EC1/49
A31B14	. Screw, 4BA	QR	-	EC1/55
EA3.81.6481	. DIODE, TAIL TRIM, CIRCUIT, INSTALLATION Spares for :-	-	-	EC2/1
AS3180/4B	. CLIP, cable Attaching parts for AS3180/4B :-	1	-	EC2/2
A25/1B	. Bolt, 4BA	1	-	EC2/3
AGS2001B1	. Nut, stiff, 4BA	1	-	EC2/4
EEAS238/1A	. Washer, 'D'	1	-	EC2/5
EA3.81.6473	. PLATE, MOUNTING DIODE, ASSEMBLY Spares for :-	1	-	EC2/6
EA3.81.6477	. CABLE, ASSEMBLY, T451, from T100B relay to diode	1	-	
AS3180/3B	. CLIP, cable Attaching parts for AS3180/3B :-	1	-	EC2/7
AGS2001B1	. Nut, 4BA	1	-	EC2/8
A33B14	. Screw, 4BA	1	-	EC2/9
EEAS238/1A	. Washer, 'D'	1	-	EC2/10
AS2295/1	. CLIP, spring	1	-	EC2/11
FERRANT1	. DIODE	1	-	EC2/12
ZR12	. PLATE, mounting diode	1	L72	EC2/13
EA3.81.6475	. POST, barb binding	2	-	EC2/14
150/50/LP	. Attaching parts for EA3.81.6473 :-			
AGS2001B1	. Nut, 4BA	2	-	EC2/15
EA3.81.6479	. Packing, 3/16" thick, vinton rubber	1	DTD5543	EC2/16
A31B16	. Screw, 4BA	2	-	EC2/17

ELECTRICAL

ELECTRICAL EQUIPMENT IN REAR FUSELAGE

Part Number	Description	No. Off	Mati. Spec.	Plate No.
-	. EARTH CONNECTION AT FRAME 39 Consisting of:-	-	-	RC2/18
A27BT	. . NUT, 4BA (Pre-Mod 5100)	1	-	
A54C	. . NUT, 2BA (Alt. R60/68-Mod 5100)	2	-	EC2/19
AGS2002B1	. . NUT, 4BA (Pre-Mod 5100)	1	-	
AGS2001C4	. . NUT, stiff, 2BA (Alt. R60/68-Mod 5100)	1	-	EC2/20
A31B24	. . SCREW, 4BA, (Pre-Mod 5100)	1	-	
A43C40	. . SCREW, 2BA (Alt. R60/68-Mod 5100)	1	-	EC2/21
EEAS28/3D/PH	. . WASHER (non anodised) (Pre-Mod 5100)	3	-	
SP25C	. . WASHER (Alt. R60/68-Mod 5100)	2	-	EC2/22
SP124D	. . WASHER (Alt. R60/68-Mod 5100)	2	-	EC2/23
-	. EARTH CONNECTION AT FRAME 45 Consisting of:-	-	-	EC2/24
AGS2001E1/66	. . NUT, 1/4" BSF	1	-	EC2/25
EB7.81.329	. . STUD, earth	1	-	EC2/26
EEAS28/10DPH	. . WASHER (non anodised)	2	-	EC2/27
SP47E	. . WASHER, spring	1	-	EC2/28
EA1.81.41	. EQUIPMENT, ELECTRICAL, REAR FUSELAGE FAIRING, ASSEMBLY Spares for:-	-	-	
AS3180/3B	. . CLIP, cable	4	-	EC3/1
AS3180/5B	. . CLIP, cable	1	-	EC3/2
AS3180/8B	. . CLIP, cable (Pre-Mod 5100) Attaching parts for AS3180/3B, AS3180/5B and AS3180/8B:-	4	-	
A25/1B	. . Bolt, 4BA (Pre-Mod 5100)	QR	-	
A27BP	. . Nut, plain 4BA	QR	-	EC3/3
A31B16	. . Screw, cheese head 4BA	QR	-	EC3/4
SP47B	. . Washer, spring 4BA	QR	-	EC3/5
R 5L/244	. . FILAMENT, 28V, 12W	2	-	EC3/6
EA1.81.91/1	. . LIGHT, TAIL, UPPER, ASSEMBLY Spares for:-	1	-	EC3/7
Z22430	. . . GROMMET, Helsyn, No. 2	1	-	EC3/8
EA1.81.978	. . . LAMP, ASSEMBLY (less cable) Spares for:-	1	-	EC3/9
EA1.81.332	. . . DOME, lamp, protecting Attaching parts for EA1.81.332:-	1	Perspex	EC3/10
AGS2001A1	. . . Nut, stiff, 6BA	2	-	EC3/11
A33A10	. . . Screw, csk. head 6BA	2	-	EC3/12
R 5C/887	. . . LAMP, navigation, type B	1	-	EC3/13
EA1.81.331	. . . SCREEN, cap dome, mounting	1	DTD683	EC3/14
R 5K/9107065	. . . SLEEVE, 1" x 1/2"	4	-	
R 5K/9107066	. . . SLEEVE, 2" x 3/4" Attaching parts for EA1.81.91/1:-	2	-	
A27AP	. . Nut, 6BA	4	-	EC3/15
SP47A	. . Washer, spring	4	-	EC3/16
EA1.81.92/1	. . LIGHT, TAIL LOWER, ASSEMBLY	1	-	EC3/17
EA1.81.978	. . . LAMP, ASSEMBLY (less cable) Spares for:-	1	-	EC3/18
EA1.81.332	. . . DOME, lamp protecting Attaching parts for EA1.81.332:-	1	Perspex	EC3/19
AGS2001A1	. . . Nut, stiff, 6BA	2	-	EC3/20
A33A10	. . . Screw, csk. head 6BA	2	-	EC3/21

ELECTRICAL

ELECTRICAL EQUIPMENT IN REAR FUSELAGE

Part Number	Description	No. Off	Mtl. Spec.	Plate No.
R 5C/887 LAMP, navigation, type B	1	-	EC3/22
EA1.81.331 SCREEN, cap dome mounting	1	DTD683	EC3/23
R 5K/9107065	. . . SLEEVE, 1" x 1/2"	4	-	
R 5K/9107066	. . . SLEEVE, 2" x 3/4"	2	-	
Z23672	. GROMMET	2	-	EC3/24
EA4.81.6503	. LAMP, LOWER, ANTI-COLLISION, INSTALLATION	-	-	EC5/29
†	Spares for:- . . ANGLE, 3/4" x 3/4" x 8 1/4" long, 18 SWG (Com Mod 0267) (Mod 5183)	1	L72	EC5/30
CFU24775	. . GUARD (Com Mod 0267) (Mod 5183) Attaching parts for CFU24775:-	1	-	EC5/31
A25/1C	. . Bolt, 2BA	4	-	EC5/32
G8400/8/24	. . LAMP, anti-collision (Com Mod 0267) (Mod 5183)	1	-	EC5/33
CFU23967	. . PLATE, reinforcing (Com Mod 0267) (Mod 5183)	1	-	EC5/34
CFU23953/2	. . RING, mounting (Com Mod 0267) (Mod 5183)	1	-	EC5/35
EA4.81.6501	. LAMP, UPPER, ANTI-COLLISION, INSTALLATION	-	-	EC5/36
†	Spares for:- . . ANGLE, 3/4" x 3/4" x 8 1/2" long, 18 SWG (Com Mod 0267) (Mod 5183)	2	-	EC5/37
G8400/8/24	. . LAMP, anti-collision (Com Mod 0267) (Mod 5183)	1	-	EC5/38
CFU23954	. . PLATE, reinforcing (Com Mod 0267) (Mod 5183)	1	-	EC5/39
CFU23953/1	. . RING, mounting (Com Mod 0267) (Mod 5183)	1	-	EC5/40
EG4.81.2837	. LOOMS, CABLE, ASSEMBLY Spares for:-	-	-	
EB7.81.531	. . CABLE, ASSEMBLY, E6, from junction box 6 to earth (Pre-Mod 5100)	1	-	
EA3.81.6197	. . CABLE, ASSEMBLY, E6 (Alt. R60/68-Mod 5100)	1	-	
EB7.81.2471	. . CABLE, ASSEMBLY, N104A, from crimped connector to rudder trim actuator (Pre-Mod 5091)	1	-	
EB7.81.6577	. . CABLE, ASSEMBLY, N104A (Mod 5091)	1	-	
EB6.81.3663	. . CABLE, ASSEMBLY, T6, from bomb bay bulkhead connection to junction box 6	1	-	
EB7.81.573/2	. . CABLE, ASSEMBLY, T33, from bomb bay bulkhead connection to isolating relay	1	-	
EB7.81.2027	. . CABLE, ASSEMBLY, T33A, from isolating relay to relay panel	1	-	
EB7.81.575/2	. . CABLE, ASSEMBLY, T33H, from relay panel to tailplane actuator high speed motor (Pre-Mod 5100)	1	-	
EB7.81.577/2	. . CABLE, ASSEMBLY, T33L, from relay panel and isolating relay to tailplane actuator low speed motor	1	-	
EA1.81.802/2	. . CABLE, ASSEMBLY, T94, from bomb bay bulkhead connection to plug panel rear scanner (Pre-Mod 5100)	1	-	
EA9.81.5415/2	. . CABLE, ASSEMBLY, T96, from bomb bay bulkhead to plug panel rear scanner (Mod 3841) (Pre-Mod 5100)	1	-	

ELECTRICAL

ELECTRICAL EQUIPMENT IN REAR FUSELAGE

Part Number	Description	1 2 3 4 5 6						No. Off	Mati. Spec.	Plate No.
		1	2	3	4	5	6			
EB6.81.2367	. . CABLE, ASSEMBLY, T99, from isolating relay to relay panel							1	-	
EG4.81.1127	. . CABLE, ASSEMBLY, 1F2D, from plug connection to SSR1520 transponder (Alt. R60/61 - Mod 5100)							1	-	
EB7.81.583/2	. . CABLE, ASSEMBLY, 6A, from junction box 6 to tailplane position transmitter (Pre-Mod 5091)							1	-	
EB7.81.6905	. . CABLE, ASSEMBLY, 6A (Mod 5091)							1	-	
EA9.81.3215	. . CABLE, ASSEMBLY, 6B1, from relay panel to tailplane top low speed limit switch							1	-	
EA9.81.3213	. . CABLE, ASSEMBLY, 6C1, from relay panel to tailplane bottom low speed limit switch							1	-	
EA2.81.1065	. . CABLE, ASSEMBLY, 6F, from junction box 6 to rudder trim position transmitter (Pre-Mod 5091)							1	-	
EA2.81.5955	. . CABLE, ASSEMBLY, 6F (Mod 5091)							1	-	
EA1.81.806/1	. . CABLE, ASSEMBLY, 6G, from junction box 6 to tail navigation lights terminal block							1	-	
EB7.81.579	. . CABLE, ASSEMBLY, 6K, from junction box 6 to relay panel (Mod 5100)							1	-	
EG4.81.293	. . CABLE, ASSEMBLY, 6N, from junction box 6 to upper and lower flasher lights and flasher unit (Mod 3599) (Pre-Mod 5100)							1	-	
HC1290	. . CONNECTOR, crimped cable							3	-	
Z22634	. . GROMMET, dummy (Pre-Mod 5100)							4	-	
NL8140	. . SLEEVE							3	-	
EEAS146/12/¼	. . SLEEVE (Mod 5100)							QR	-	
EEAS146/20/¼	. . SLEEVE (Mod 5100)							QR	-	
EEAS146/20/¾	. . SLEEVE (Mod 5100)							QR	-	
MS3108E10SL3S	. . SOCKET (Mod 5100)							2	-	
HC490	. . TAG (Mod 5100)							QR	-	
EA1.81.42	. . MOUNTING JUNCTION BOX Consisting of :-							1	-	
EA1.81.489	. . CHANNEL							1	-	EC1/50
EA1.81.490	. . CHANNEL Attaching parts for EA1.81.489 and EA1.81.490 :-							1	-	EC1/51
A25/1C	. . Bolt, 2BA							2	-	EC1/52
AGS2001C1/66	. . Nut, 2BA							2	-	EC1/53
SP13C	. . Washer							2	-	EC1/54
EB7.81.425	. . PANEL, REVERSING RELAY, ASSEMBLY Spares for :-							1	-	EC3/25
CZ50206	. . BLOCK, terminal 3-way							1	-	EC3/26
EB7.81.429	. . CLAMP, cable							1	-	EC3/27
EB7.81.431	. . CLAMP, cable Attaching parts for EB7.81.429 and EB7.81.431 :-							1	-	EC3/28
AS1247/10B	. . Bolt, 4BA							2	-	EC3/29
AS4525/3	. . CLIP, cable							2	-	EC3/30
AS1900B	. . CLIP, cable							1	-	EC3/31
AS1900C	. . CLIP, cable Attaching parts for clips :-							1	-	EC3/32
A39B12	. . Screw, cheese head 4BA							1	-	EC3/33

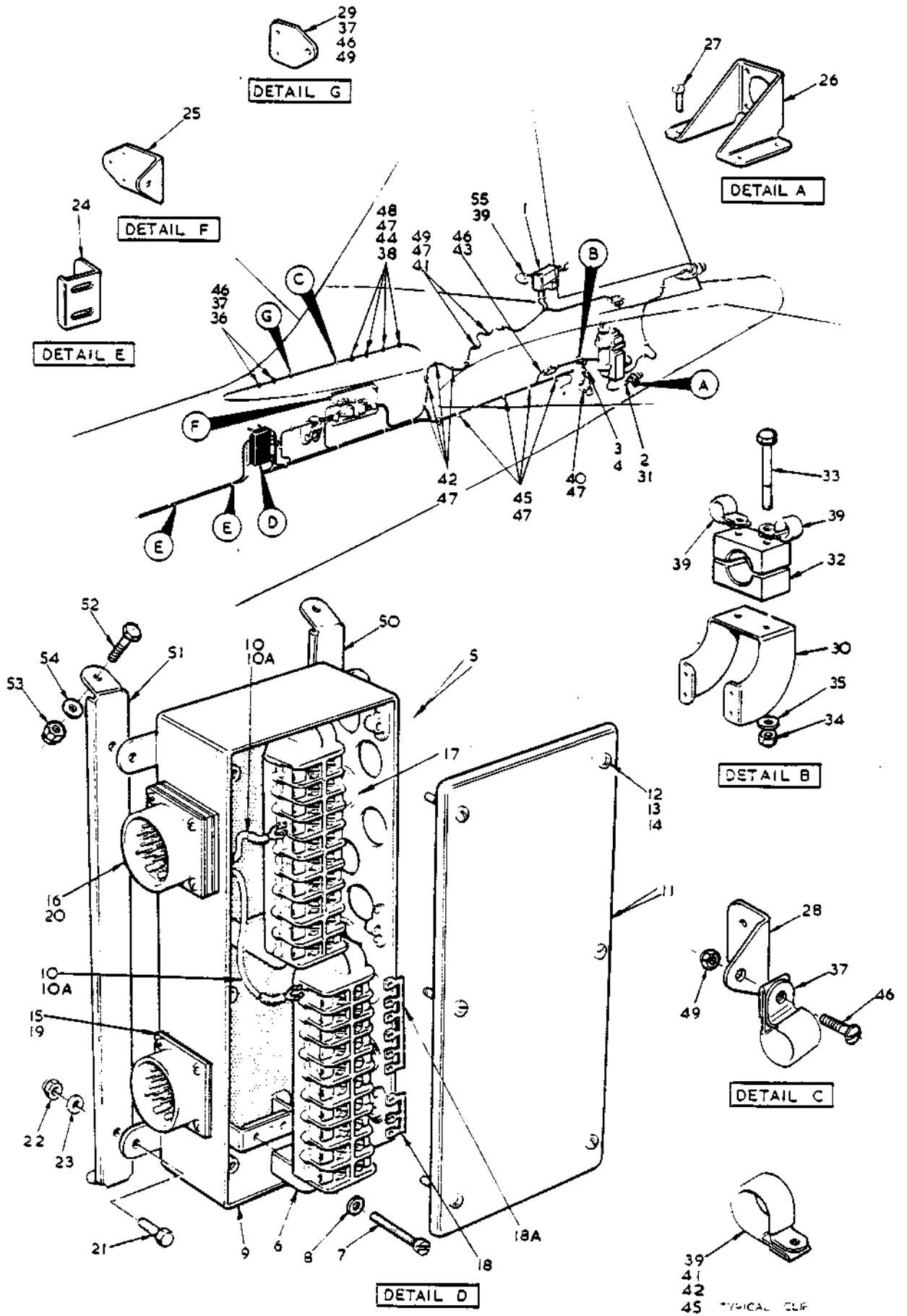
ELECTRICAL EQUIPMENT IN REAR FUSELAGE

Part Number	Description	No. Off	Matl. Spec.	Plate No.
CZ26802	. . COVER, perspex	1	—	EC3/34
EB7.81.5153	. . LABEL	1	—	EC3/35
703-2-00252	. . LINK, 3-way	1	—	EC3/36
EB7.81.427	. . PANEL, base	1	—	EC3/37
703-2-00267	. . PILLAR, fixing	2	—	EC3/38
D5107/2	. . RELAY, reversing	1	—	
or				
D5107/3	. . RELAY, reversing	1	—	EC3/39
	Attaching parts for D5107/2 or D5107/3 :—			
	Screw, 2BA	3	—	EC3/40
EEAS146A1	. . SLEEVE, 3/4" long	8	—	
EEAS146C	. . SLEEVE, 3/4" long	3	—	
508-2-11232-002	. . SLEEVE	4	—	
703-2-00315-020	. . TAG	4	—	
Z55958	. . TAG, closed end	4	—	
703-2-00340-020	. . THIMBLE	4	—	
703-2-00339-020	. . THIMBLE	4	—	
	Attaching parts for EB7.81.425 :—			
AGS2001C1/66	. Nut, 2BA	4	—	EC3/41
A32C16	. Screw, 2BA	4	—	EC3/42
EA3.81.2825	. RELAY, T100B, INSTALLATION	—	—	EC4/1
	Spares for :—			
EA3.81.2827	. BRACKET, assembly	1	—	EC4/2
EA3.81.2829	. BRACKET	1	—	EC4/3
EA3.81.2831	. BRACKET	1	—	EC4/4
T100B	. RELAY, T100B	1	—	EC4/5
	Attaching parts for T100B :—			
A31B32	. Screw, 4BA	4	—	EC4/6
EEAS42	. Washer, leather	4	—	EC4/7
EEAS132/7	. STRAP, cable, c/w buckle	3	—	EC4/8
	Attaching parts for EEAS132/7 :—			
AS1248/1/8	. Bolt, 4BA	1	—	EC4/9
AGS2001B1	. Nut, 4BA	1	—	EC4/10
EEAS73	. Plate, clamp	1	—	EC4/11
HV3341	. STRAP	QR	—	EC4/12
OP3255	. STUD	QR	—	EC4/13
EB7.81.1101	. SWITCH AND MOUNTING, TAILPLANE UNIT	—	—	EC4/14
	Spares for :—			
EB7.81.6555	. . BLOCK, packing	2	—	EC4/15
EB7.81.1105	. . CRADLE, switch, mounting	1	—	EC4/16
EB7.12.5017	. . PIECE, packing	2	—	EC4/17
DN1322Z Mk.2	. . SWITCH, micro	2	—	
or				
DN1322Z Mk.3	. . SWITCH, micro	2	—	EC4/18
	Attaching parts for DN1322Z :—			
EB7.81.1093	. . Bolt, eccentric	2	—	EC4/19
EB7.81.1399	. . Bolt, eccentric	QR	—	EC4/20
EB7.81.1099	. . Bolt, locking	1	—	EC4/21
AGS2001B1	. . Nut, 4BA	3	—	EC4/22
EB7.81.1097	. . Plate, locking	1	—	EC4/23
EB7.81.1095	. . Washer, eccentric	2	—	EC4/24

ELECTRICAL

ELECTRICAL EQUIPMENT IN REAR FUSELAGE

Part Number	Description	No. Off	Mati. Spec.	Plate No.	
					1
EG4.81.283	WIRING AND CLIPPING, FRAMES 31 TO 38 Spares for:—	—	—		
EA1.81.252	BRACKET, cable strap guide	6	—	EC5/1	
EEAS136	BRACKET, cable clip	3	—	EC5/2	
EB6.81.5791	BRACKET	2	—	EB5/4	
R AS3180/12B	CLIP, 'P', rubber covered	7	—	EC5/5	
R AS3180/3B	CLIP, 'P', rubber covered	15	—	EC5/15A	
R AS3180/6B	CLIP, 'P', rubber covered	13	—	EC5/6	
R AS3180/7B	CLIP, 'P', rubber covered	8	—	EC5/41	
R AS3180/8B	CLIP, 'P', rubber covered	4	—	EC5/7	
R AS3180/14B	CLIP, 'P', rubber covered	5	—	EC5/8	
R AS3180/16B	CLIP, 'P', rubber covered	1	—	EC5/9	
R AS3180/18B	CLIP, 'P', rubber covered	1	—	EC5/10	
R AS3180/20B	CLIP, 'P', rubber covered	2	—	EC5/11	
R AS3180/24B	CLIP, 'P', rubber covered	2	—	EC5/12	
R AS3180/6C	CLIP 'P', rubber covered	1	—	EC5/13	
R AS3181/10B	CLIP, 'P', rubber covered	7	—	EC5/14	
R AS3181/12B	CLIP 'P', rubber covered	4	—	EC5/15	
R AS1246/1B	Attaching parts for clips:— Bolt, 4 BA	QR	—	EC5/16A	
R AS1248/1/2B	Bolt, 4 BA	QR	—	EC5/15B	
R A25/1B	Bolt, 4 BA	QR	—	EC5/16	
R AGS2001B1	Nut, stiff, 4 BA	QR	—	EC5/17	
R AGS2001C1/66	Nut, stiff, 2 BA	QR	—	EC5/18	
R A32B14	Screw, 4 BA	QR	—	EC5/19	
R A32B16	Screw, 4 BA	QR	—	EC5/20	
R A31/B10	Screw, 4 BA	QR	—	EC5/21B	
R A31/B12	Screw, 4 BA	QR	—	EC5/21A	
R A31/B16	Screw, 4 BA	QR	—	EC5/42	
R A31C12	Screw, 2 BA	QR	—	EC5/21	
R SP15B	Washer	QR	—	EC5/22	
EEAS73	PLATE, clamp, securing, cable strap Attaching parts for EEAS73:—	2	—	EC5/23	
AS1248/1/2B	Bolt, 4 BA	1	—	EC5/24	
AGS2001B1	Nut, 4 BA	1	—	EC5/25	
R EEAS132/7	STRAP, cable c/w buckle	8	—	EC5/26	
R NV3254	STRAP	QR	—	EC5/27	
R NY3255	STUD	QR	—	EC5/28	
EG5.81.577	WIRING AND CLIPPING, REAR FUSELAGE (MOD 3883—S.O.O.) (MOD 4075—S.O.O.) Spares for:—	—	—		
EB6.81.5791	BRACKET	1	—		
AS3180/6B	CLIP	1	—		
AS3180/8B	CLIP	3	—		
AS3180/20B	CLIP	1	—		
	Attaching parts for AS3180/6B, AS3180/8B and AS3180/20B:—				
R AS1248/1/2B	Bolt, 4 BA	QR	—		
R AGS2001B1	Nut, stiff, 4 BA	QR	—		
R A32B14	Screw, 4 BA	QR	—		
R A32B16	Screw, 4 BA	QR	—		
R A32B20	Screw, 4 BA	QR	—		



CODE Z **FIG. 1 ELECTRICAL EQUIPMENT IN REAR FUSELAGE** SECT. EC

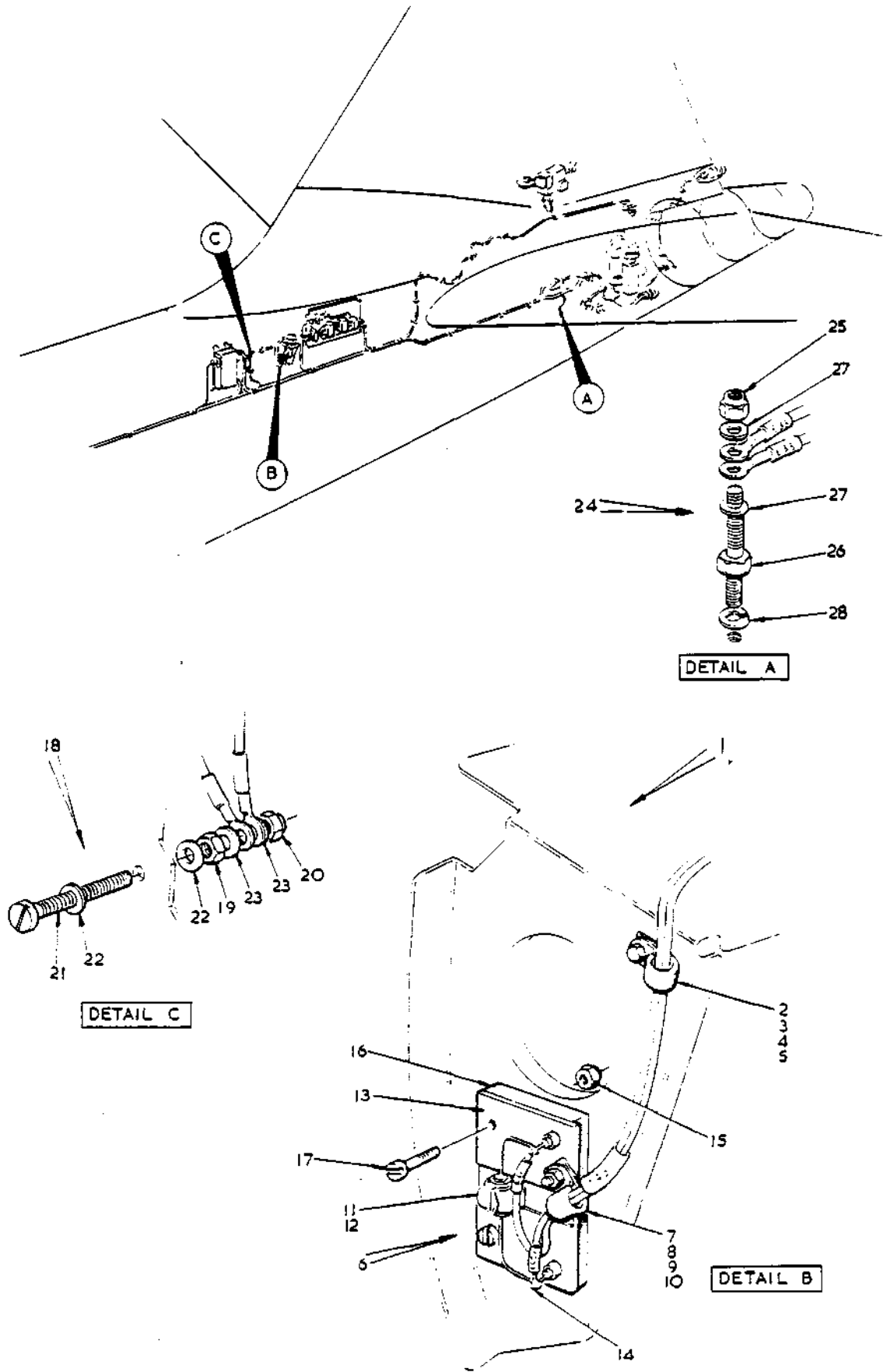


FIG. 2 ELECTRICAL EQUIPMENT IN REAR FUSELAGE

CODE Z

SECT. EC

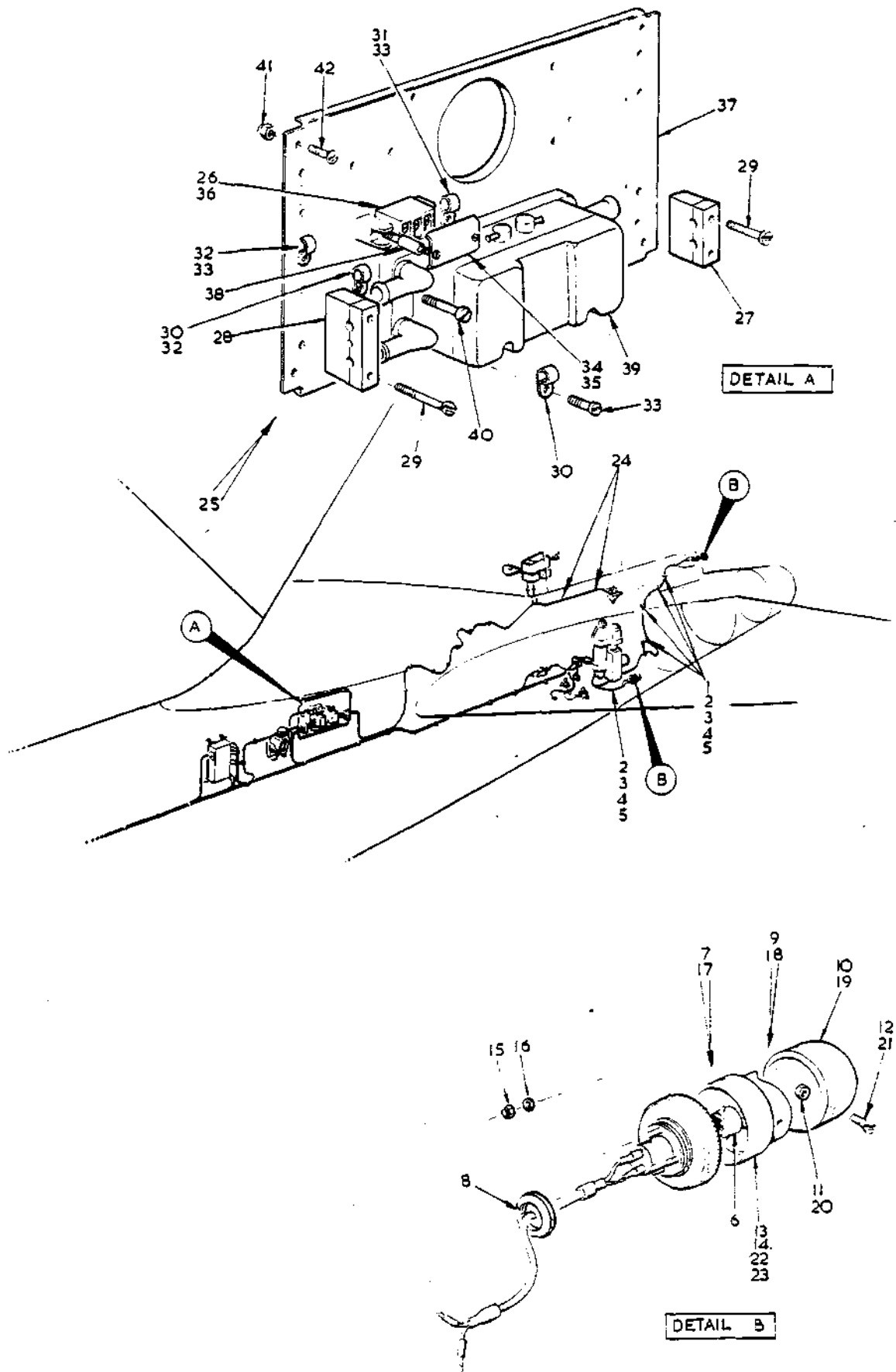


FIG. 3 ELECTRICAL EQUIPMENT IN REAR FUSELAGE

CODE 2

SECT. EC

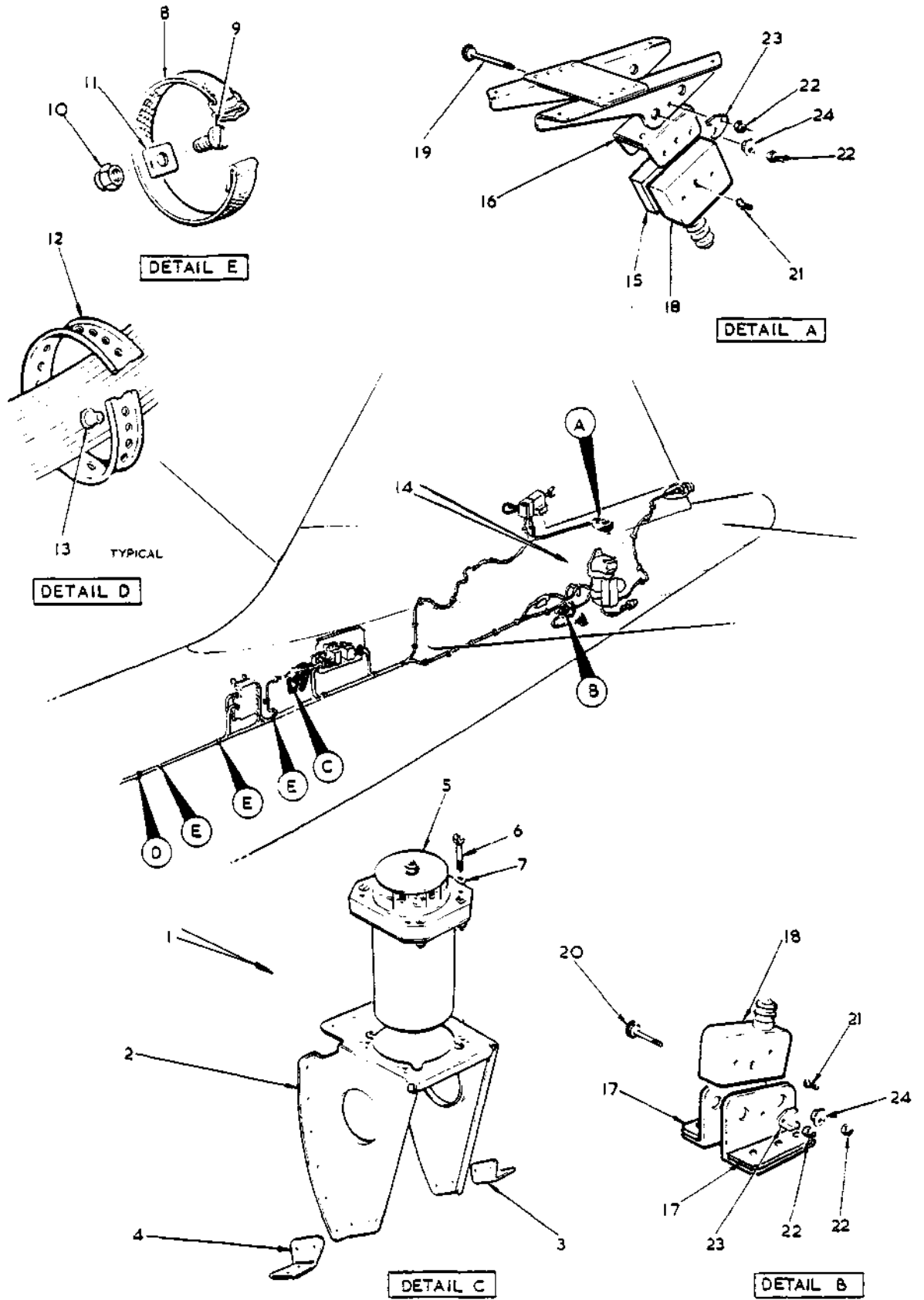


FIG. 4 ELECTRICAL EQUIPMENT IN REAR FUSELAGE

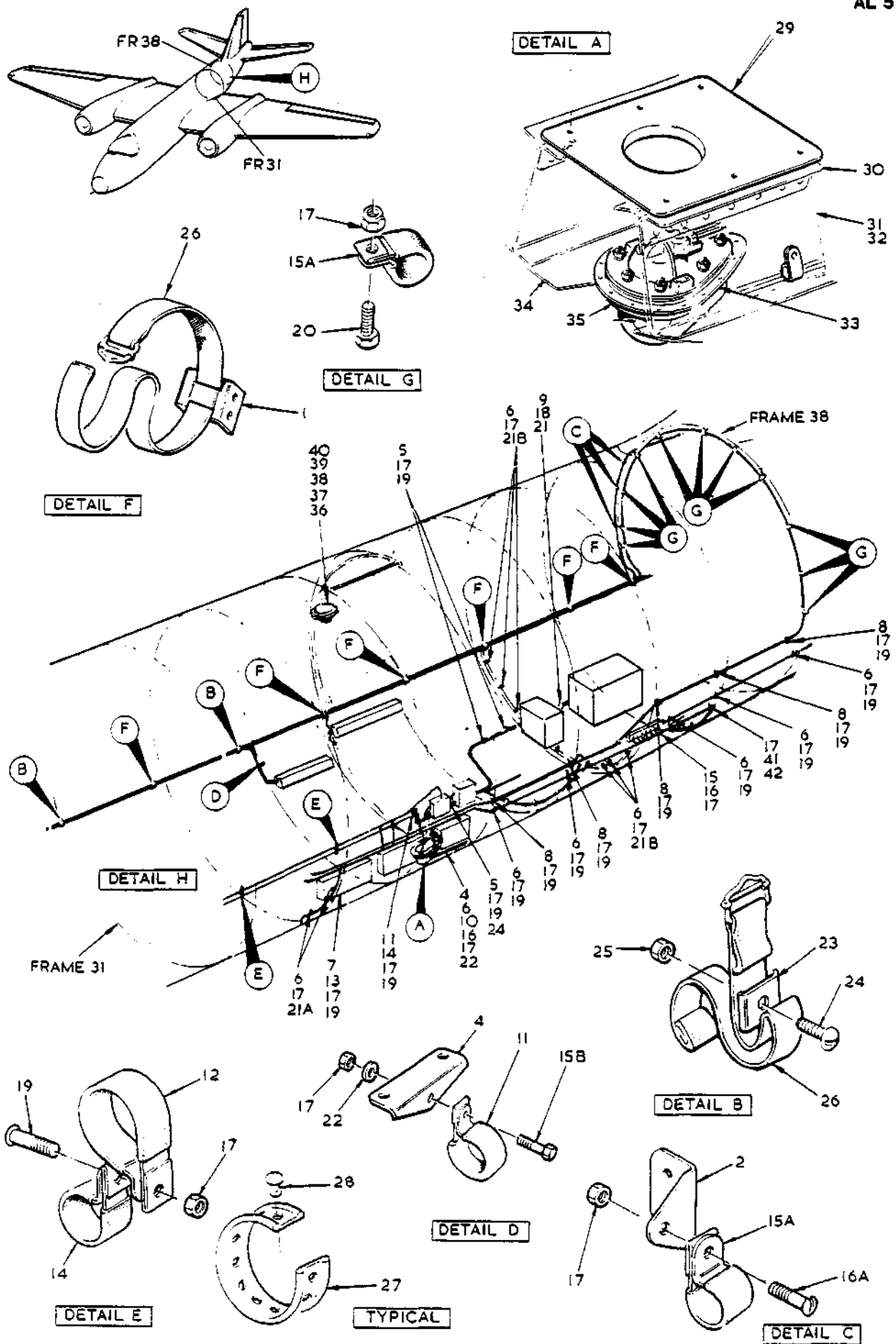


FIG. 5 ELECTRICAL EQUIPMENT IN REAR FUSELAGE

CODE Z

SECT. EC



This file was downloaded from the RTFM Library.

Link: www.scottbouch.com/rtfm

Please see site for usage terms, and more aircraft documents.

