

EQUIPMENT, AIRCRAFT  
PRESSURE CABIN EQUIPMENT

Part Number	Description	No. Off	Mati. Spec.	Plate No.
EG4.80.1301	EQUIPMENT IN PRESSURE CABIN, ASSEMBLY Spares for :-	-	-	
R EG4.80.473	. BRACKET, PLUG BREAK INSTALLATION Spares for :-	-	-	GA1/1
R EG4.80.475	. . . ANGLE	1	L72 X 18 SWG	GA1/2
R A25/1C	. . . BOLT, 2BA, hex head	2	-	GA1/3
R EG4.80.1041	. . . DIAPHRAGM, assembly Spares for :-	1	-	GA1/4
R EG4.80.1111	. . . . BRACKET	1	L72 X 18 SWG	GA1/5
R EG4.80.1045	. . . . DIAPHRAGM	1	L72 X 18 SWG	GA1/6
R AGS2007/C1	. . . . NUT, anchor, 2BA	2	-	GA1/7
R AGS2018/C1	. . . NUT, anchor, 2BA	1	-	GA1/14
R AGS2007/C1	. . . NUT, anchor, 2BA	1	-	GA1/15
R SP15/C	. . . WASHER, 2BA	2	-	GA1/16
R EB6.80.3391	. COMPASS, REPEATER, INSTALLATION Spares for :-	-	-	GA1/8
R 5CZ4335501	. . . BOX, junction, 3-way Attaching parts for Ref. 5CZ/4335501 :-	1	-	GA1/9
A32B10	. . . Screw, 4BA	2	-	GA1/10
R EB6.80.3393	. . . BRACKET, MOUNTING, COMPASS REPEATER	1	-	GA1/11
R 6B6341553	. . . COMPASS, repeater Attaching parts for Ref. 6B/6341553 :-	1	-	GA1/12
A31C20	. . . Screw, 2BA	4	-	GA1/13
EG4.80.1339	. CONSOLE, PILOT'S ASSEMBLY Spares for :-	-	-	
EB6.80.3151	. . . MOUNTING, JUNCTION BOXES TYPE 7682 AND 7683 INSTALLATION Spares for :-	-	-	
EB6.80.3145	. . . . PANEL, assembly, on control fairing Attaching parts for EB6.80.3145 :-	1	L72	GA2/1
AS1248/1/2C	. . . . Bolt, 2BA	5	-	GA2/2
AS1248/1C	. . . . Bolt, 2BA	3	-	GA2/3
EA3.80.6641	. . . PANEL, ASSEMBLY, FORWARD, ACCESS FOR EMERGENCY BATTERY Spares for :-	1	-	GA2/4
DZUS A4-30	. . . . FASTENER	1	-	GA2/5
EA3.80.6649	. . . . FLAP, 18 SWG	1	L72	GA2/6
DZUS GA4-250	. . . . GROMMET	1	-	GA2/7
EA3.80.6651	. . . . HINGE (Make from AS 1878 Ref. 28N/9511950)	1	-	GA2/8
BULGIN T102	. . . . TERMINAL, red	1	-	GA2/9
T102	. . . . TERMINAL, black Attaching parts for T 102 :-	1	-	GA2/10
A31C24	. . . . Screw, 2BA Attaching parts for EA3.80.6641 :-	1	-	GA2/11
A25/1C	. . . Bolt, 2BA	8	-	GA2/12
SP15/C	. . . Washer	8	-	GA2/13

EQUIPMENT, AIRCRAFT  
PRESSURE CABIN EQUIPMENT

Part Number	Description	No. Off	Matl. Spec.	Plate No.
EB7.80.153	. . . PANEL, removable assembly snatch unit access	1	-	GA2/14
A25/1C SP15C	. . . Attaching parts for EB7.80.153 :- Bolt, 2BA	11	-	GA2/15
	. . . Washer	11	-	GA2/16
EB6.80.53	. . . PANEL, side, lower, removable controls access	1	L72	GA2/17
A25/1B SP13B	. . . Attaching parts for EB6.80.53 :- Bolt, 4BA	7	-	GA2/18
	. . . Washer	7	-	GA2/19
EB7.80.161	. . . PANEL, side forward, removable, controls access	1	L72	GA2/20
EB7.80.163	. . . PANEL, side, aft, removable, controls access	1	L72	GA2/21
A25/1C SP15C	. . . Attaching parts for EB7.80.161 or EB7.80.163 :- Bolt, 2BA	10	-	GA2/22
	. . . Washer	10	-	GA2/23
EB6.80.47	. . . PLATE, cover, bent, above snatch unit removable panel	1	-	GA2/24
A25/1B SP13B	. . . Attaching parts for EB6.80.47 :- Bolt, 4BA	4	-	GA2/25
	. . . Washer	4	-	GA2/26
EG5.80.183	. . . PLATE, cover	1	L72	GA2/27
AS1246/2C SP15C	. . . Attaching parts for EG5.80.183 :- Bolt, 2BA	2	-	GA2/28
	. . . Washer	2	-	GA2/28A
EB6.80.3053	. . . UNIT, CONTROL AND SWITCH (I.L.S) INSTALLATION	-	-	
EB6.80.5485 EB6.80.5031	. . . Spares for :- BRACKET, assembly	1	-	GA2/29
	. . . BRACKET, mounting	1	-	GA2/30
EB6.80.3055	. . . CHANNEL, mounting	1	-	GA2/31
AS1246/1/8	. . . Attaching parts for EB6.80.3055 :- Bolt, 4BA	4	-	GA2/32
	AGS2002C1	. . . NUT, 2BA	4	-
5CW1047693	. . . SWITCH, S.P.C.O.	1	-	GA2/36
A32B16	. . . Attaching parts for 5CW/1047693 :- Screw, 4BA, round head	2	-	GA2/37
	SCC79624	. . . CONTAINER, URINE, ASSEMBLY	-	-
AGS584	. . . Spares for :- CLIP	1	-	GA1/18
	. . . CONTAINER	1	-	GA1/17
27H4605582	. . . FUNNEL	1	-	GA1/19
BERESFORD E20002				

EQUIPMENT, AIRCRAFT  
PRESSURE CABIN EQUIPMENT

Part Number	Description	No. Off	Matl. Spec.	Plate No.
EB6.80.4997	. CURTAINS, BLACKOUT, INSTALLATION Spares for:—	—	—	
EA3.80.1753	. . BLACKOUT, NAVIGATOR'S WINDOW, ASSEMBLY Spares for:—	1	—	GA3/1
EA3.80.1951	. . . CURTAIN, assy	1	—	GA3/1A
AGS2001C1/66	. . . NUT, stiff, 2BA	4	—	GA3/1B
CARR No. 680	. . . STUD, hexagonal base	4	—	GA3/1C
EB6.80.4999	. . . CURTAIN, main assembly	1	—	GA3/2
EG4.80.161	. . . CURTAIN, top	1	—	GA3/3
AGS2002B1	. . . NUT, 4BA	15	—	GA3/4
AGS2002C1	. . . NUT, 2BA	1	—	GA3/5
A33B10	. . . SCREW, 4BA csk. head	15	—	GA3/6
CARR No. 550	. . . STUD, clinch type	10	—	GA3/7
CARR No. 680	. . . STUD, screwed	1	—	GA3/8
CARR No. 248	. . . STUD, flanged	9	—	GA3/9
EA3.85.15	. DESTRUCTOR, MOUNTING, ASSEMBLY Spares for:—	—	—	GA22/1
EA3.85.17	. . BRACKET, MOUNTING, ASSEMBLY Spares for:—	1	—	GA22/2
EA3.85.25	. . . BAND, wire	1	—	GA22/3
EA3.85.27	. . . BAND, wire	1	—	GA22/4
EG4.80.1303	. EQUIPMENT, SECOND NAVIGATOR, ON STARBOARD WALL Spares for:—	—	—	
EB6.80.5773	. . AMPLIFIER, COMPASS G IV B. INSTALLATION Spares for:—	—	—	
R 6B/4343641	. . . AMPLIFIER, gyro compass, Mk. IVB Attaching parts for 6B/4343641:—	1	—	GA4/1
A25/1E	. . . Bolt, 1/4" BSF	4	—	GA4/2
R AGS2001E1-66	. . . Nut, 1/4" BSF	4	—	GA4/3
SP13E	. . . Washer, 1/4"	4	—	GA4/3A
R 703-2-00244	. . BLOCK, terminal Attaching parts for 703-2-00244:—	1	—	GA4/4
AGS2001B1	. . . Nut, stiff	2	—	GA4/4A
703-2-00267	. . . Pillar, fixing	2	—	GA4/4B
SP26B	. . . Washer	2	—	GA4/4C
R 5CZ/1053794	. . BLOCK, terminal Attaching parts for Ref. 5CZ/1053794:—	2	—	GA4/5
AGS2001A1	. . . Nut, 6BA	2	—	GA4/6
A33A20	. . . Screw, 6BA	2	—	GA4/6A
SP13A	. . . Washer	2	—	GA4/6B
R AS1248/1C	. . BOLT (Mod 5243)	4	—	
EB6.80.5771	. . CONTROL, UNIT, G IVB, INSTALLATION Spares for:—	—	—	
R 6B/408	. . . PANEL, control, type A Attaching parts for 6B/408:—	1	—	GA4/7
A32B16	. . . Screw, 4BA	4	—	GA4/8

EQUIPMENT, AIRCRAFT  
PRESSURE CABIN EQUIPMENT

Part Number	Description	No. Off	Mati. Spec.	Plate No.
703-1-00265 EG4.80.1335	. . . COVER, terminal block . . . FLOOR AND FOOTREST, SECOND NAVIGATOR, INSTALLATION Spares for:—	1 —	— —	GA4/9 GA4/10
SCD78732	. . . FLOOR, ASSEMBLY (SRIM 3533) Spares for:—	1	—	GA4/11
MARTIN BAKER A/MBEU3666	. . . BRACKET, leg restraint Attaching parts for A/MBEU3666:—	2	—	GA4/11A
A25/2C	. . . Bolt, 2BA	4	—	GA4/11B
AGS2001C1-66	. . . Nut, 2BA	4	—	GA4/11C
SP26C	. . . Washer	4	—	GA4/11D
SCD78771	. . . FOOTSTEP, ASSEMBLY (SRIM 3533) Spares for:—	1	—	GA4/12
DZUS No. 4	. . . CIRCLIP, wire	2	—	GA4/13
DZUS AJ4/45	. . . FASTENER	2	—	GA4/14
703-2-00259	. . . LINK, 2 way	5	—	GA4/15
—	. . . MOUNTING, assembly, morse key (SRIM 3872 Fig. 4A) Attaching parts for mounting:—	1	—	GA4/16
AGS2001C1/66	. . . Nut, 4BA	4	—	GA4/17
A33C32	. . . Screw, 4BA	4	—	GA4/17A
SP13C	. . . Washer	4	—	GA4/18
BERCO L100CB	. . . RHEOSTAT, 10 ohms (Mod 5026) Attaching parts for L100CB	2	—	GA4/19
AS2992/68	. . . Screw, 4BA	3	—	GA4/19A
—	. . . SCREW, special, 2BA knurled finger for morse key (SRIM 3872 Fig. 4A)	1	—	GA4/20
EG4.80.1329	. . . STRUCTURE, STARBOARD WALL, ASSEMBLY Spares for:—	—	—	GA4/21
CM/CAN0519 FIG 4	. . . BLOCK, socket mounting Attaching parts for CM/CAN/0519/Fig. 4:—	1	—	GA4/22
A25/5B	. . . Bolt, 4BA	2	—	GA4/23
AGS2001B1	. . . Nut, 4BA	2	—	GA4/24
SP13B	. . . Washer	2	—	GA4/25
R HELLERMAN EE11/2	. . . EXTRUSION (Mod 5243) Attaching parts for EE11/2:—	QR	—	
R M.M.M. LTD EC1099	. . . Adhesive	QR	—	
SCD78801/39	. . . FAIRLEAD, half (SRIM 3533) (Make from Ref. 5F/9400953) Attaching parts for SCD78801/39:—	2	—	GA4/26
AGS2001A1	. . . Nut, 6BA	4	—	GA4/27
A32A16	. . . Screw, 6BA	4	—	GA4/28
SP13A	. . . Washer	4	—	GA4/29
R AGS2007C2 SCC78909	. . . NUT, anchor . . . PLATE, mounting (SRIM 3533) Attaching parts for SCC78909:—	4 1	— L72	GA4/30
A25/5C	. . . Bolt, 2BA	4	—	GA4/31
SCD78801/24	. . . Spacer	4	—	GA4/32
SP13C	. . . Washer	4	—	GA4/33
EG4.80.1417	. . . TRAY, TOP, STARBOARD WALL, ASSEMBLY Spares for:—	1	—	GA4/34
EB6.80.2277	. . . COVER, false Attaching parts for EB6.80.2277:—	1	L72	GA4/35
AS1248/1/2B	. . . Bolt, 4BA	6	—	GA4/36
R EB6.80.2055	. . . WALL, STARBOARD, MIDDLE TRAY, ASSEMBLY Spares for:—	—	—	
R AGS2007C2 AS10512C-1	. . . NUT, anchor . . . SWITCH, DP (Mod 5026)	2 2	— —	GA4/37

EQUIPMENT, AIRCRAFT  
PRESSURE CABIN EQUIPMENT

Part Number	Description	No. Off	Mati. Spec.	Plate No.
EG4.80.1305	. EQUIPMENT, NAVIGATOR'S COMPARTMENT Spares for:—	—	—	
EG4.80.1307	. . . EQUIPMENT, NAVIGATOR'S CONSOLE Spares for:—	—	—	
—	. . . . BOARD, TERMINAL, ASSEMBLY (SRIM 3533) Consisting of:—	1	—	GA5/1
AS2635	. . . . . BOARD, terminal, 5 way	1	—	GA5/2
AS2603	. . . . . COVER	1	—	GA5/3
AS2606	. . . . . TERMINAL, screwed head	5	—	GA5/4
AGS2001B1	. . . . . Attaching parts for terminal board:—			
A31B16	. . . . . Nut, 4BA	2	—	GA5/5
SP26B	. . . . . Screw, 4BA	2	—	GA5/6
	. . . . . Washer	2	—	GA5/7
SCA79261	. . . . BRACKET, for Decca cable break (SRIM 3533) Attaching parts for SCA79261:—	1	L72	GA5/8
AGS2001C1/66	. . . . . Nut, 2BA	4	—	GA5/9
A31C16	. . . . . Screw, 2BA	4	—	GA5/10
SP26C	. . . . . Washer	4	—	GA5/11
EG4.80.1337	. . . . CONTROL, VARIABLE POWER SUPPLY, PILOT'S HEATED CLOTHING, INSTALLATION Spares for:—	—	—	GA5/12
BERCO L100CB	. . . . . RHEOSTAT, 10 ohms (Mod 5026) Attaching parts for L100CB:—	1	—	GA5/13
AS1248 <sup>1</sup> / <sub>2</sub> B	. . . . . Bolt, 4BA	3	—	GA5/14
AS10512C-1	. . . . . SWITCH, DP (Mod 5026)	1	—	GA5/15
EG4.80.1319	. . . . PANELS, NAVIGATOR'S INSTRUMENTS ASSEMBLY Spares for:—	—	—	GA5/16
EG4.80.1423	. . . . . BRACKET, COAMING PANEL ATTACHMENT INSTALLATION Spares for:—	—	—	GA5/17
EB6.80.1725	. . . . . ANGLE, L.H. centre on coaming tube	1	L59	GA5/18
EB6.80.1726	. . . . . ANGLE, R.H. centre on coaming tube	1	L59	GA5/19
SCC79310/2	. . . . . BLOCK, contour, centre bracket (SRIM 3533) 10 SWG	1	L72	GA5/20
SCC79310/1	. . . . . BRACKET, centre (SRIM 3533) 16 SWG	1	L72	GA5/21
EB6.80.1723	. . . . . BRACKET, assembly L.H.	1	L72	GA5/22
EB6.80.1724	. . . . . BRACKET, assembly, R.H.	1	L72	GA5/23
EG4.80.1323	. . . . . PANEL, COAMING, ASSEMBLY, NAVIGATOR'S Spares for:—	1	—	GA5/24
WARD BROOKE WB1114S5B	. . . . . BLOCK, terminal, 5 way (Mod 5243)	2	—	GA5/26
AS2635	. . . . . BOARD, terminal, 5 way (Pre—Mod 5243)	4	—	GA5/25
AS2635	. . . . . BOARD, terminal, 5 way (Mod 5243) Attaching parts for AS2635:—	2	—	
A32B16	. . . . . Screw, 4BA	2	—	GA5/29
WARD BROOKE WBUN1114B14	. . . . . COVER, T.B. (Mod 5243)	2	—	
AS2603	. . . . . COVER, T.B. (Pre—Mod 5243)	4	—	GA5/27
AS2603	. . . . . COVER, T.B. (Mod 5243)	2	—	
AS4525/3	. . . . . CLIP Attaching parts for AS4525/3:—	1	—	GA5/29A
AGS2001C1/66	. . . . . Nut, stiff, 2BA	1	—	GA5/29B
A33C12	. . . . . Screw, 2BA	1	—	GA5/29C
SP26C	. . . . . Washer	1	—	GA5/29D

R  
R  
R  
R  
R  
R  
R

EQUIPMENT, AIRCRAFT  
PRESSURE CABIN EQUIPMENT

Part Number	Description						No. Off	Mati. Spec.	Plate No.
	1	2	3	4	5	6			
EG4.81.821	.	.	.	.	.	.	1	—	GA5/30
EG4.81.1427	.	.	.	.	.	.	1	—	
EG5.80.113	.	.	.	.	.	.	1	—	GA5/36
EA4.81.843	.	.	.	.	.	.	1	—	GA5/31
EG5.80.115	.	.	.	.	.	.	1	S96	GA5/32
EG4.81.829	.	.	.	.	.	.	1	S96	GA5/33
EG4.81.830	.	.	.	.	.	.	1	S96	GA5/34
G.E.C. LTD. SF26021	.	.	.	.	.	.	1	—	GA5/35
HE64700/15	.	.	.	.	.	.	1	—	
EG5.80.121	.	.	.	.	.	.	1	S96	GA5/37
AGS2001C1/66	.	.	.	.	.	.	3	—	GA5/38
EG4.80.435	.	.	.	.	.	.	1	BS2572-Type F3	GA5/44A
A32C32	.	.	.	.	.	.	3	—	GA5/39
SP26C	.	.	.	.	.	.	3	—	GA5/40
DZUS PRN3 <sup>1</sup> / <sub>2</sub>	.	.	.	.	.	.	8	—	GA5/41
Z1840	.	.	.	.	.	.	1	—	GA5/42
ZA2401/1	.	.	.	.	.	.	1	—	GA5/43
5CZ1031243	.	.	.	.	.	.	3	—	GA5/44
SCB78798	.	.	.	.	.	.	1	L72	GA5/46
DZUS No. 3	.	.	.	.	.	.	2	—	GA5/47
DZUS AJ3/30	.	.	.	.	.	.	2	—	GA5/48
AS1877	.	.	.	.	.	.	1	—	GA5/49
WARD BROOKE									
WB1114/28	.	.	.	.	.	.	4	—	
AS10512L-1	.	.	.	.	.	.	1	—	GA5/50
EG4.81.3251	.	.	.	.	.	.	1	—	GA5/51
A32B16	.	.	.	.	.	.	4	—	GA5/52
SCB79439	.	.	.	.	.	.	1	—	GA5/53
SCB79440	.	.	.	.	.	.	1	—	GA5/54
AGS2001B1	.	.	.	.	.	.	4	—	GA5/55
A32B24	.	.	.	.	.	.	4	—	GA5/56
SP26B	.	.	.	.	.	.	4	—	GA5/57
DZUS PRG3 <sup>1</sup> / <sub>2</sub>	.	.	.	.	.	.	4	—	
AS10512M-1	.	.	.	.	.	.	3	—	GA5/58
WARD BROOKE									
WB1114/23	.	.	.	.	.	.	QR	—	
DZUS53/175	.	.	.	.	.	.	2	—	GA5/59
SEM/044/FIG 8	.	.	.	.	.	.	1	—	
AS10512A-2	.	.	.	.	.	.	1	—	GA5/60
NSF8804B102	.	.	.	.	.	.	1	—	GA5/61
or									
AS10512A-7	.	.	.	.	.	.	1	—	
NSF8396B114	.	.	.	.	.	.	1	—	GA5/62
or									
AS10512B-2	.	.	.	.	.	.	1	—	
D5431-1	.	.	.	.	.	.	1	—	GA5/63
or									
AS10512B-2	.	.	.	.	.	.	1	—	
A31B16	.	.	.	.	.	.	2	—	GA5/64
SP108	.	.	.	.	.	.	2	—	GA5/64A
AS2605	.	.	.	.	.	.	20	—	GA5/28
AS2605	.	.	.	.	.	.	18	—	
A25/1C	.	.	.	.	.	.	6	—	GA5/65
SP13C	.	.	.	.	.	.	6	—	GA5/66

EQUIPMENT, AIRCRAFT  
PRESSURE CABIN EQUIPMENT

Part Number	Description	No. Off	Matl. Spec.	Plate No.
EG4.80.891	PANEL, INSTRUMENT, NAVIGATOR'S ASSEMBLY (MOD 4864) Spares for :-	1	-	GA6/1
KOLLSMAN L83261-04-010	ALTIMETER, Mk. 30A (MOD 4864) Attaching parts for L83261-04-010 :-	1	-	GA6/2
KOLLSMAN L84380-0-100 A219B36	Plate, mooring Screw, No. 6 UNC	1 4	- -	GA6/3 GA6/4
16523-0	INDICATOR, master, type B Attaching parts for 16523-0:-	1	-	GA6/5
A31C16	Screw, 2BA	3	-	GA6/6
9M	INDICATOR, air speed, Mk. 9M Attaching parts for 9M:-	1	-	GA6/7
A31C16	Screw, 2BA	4	-	GA6/8
S63-4-531 1630	INDICATOR, air temperature, type B INDICATOR, bearing type 1630 Attaching parts for 563-4-531 or 1630:-	1 1	- -	GA6/9 GA6/10
A31B16	Screw, 4BA	4	-	GA6/11
EG4.80.883	PANEL, ASSEMBLY Spares for :-	1	-	GA6/12
EG4.80.1147	PLATE, adaptor, altimeter, 10 SWG Attaching parts for EG4.80.1147 :-	1	L73	GA6/13
A45C20	Screw, 2BA Attaching parts for EG4.80.891 :-	4	-	GA6/14
A25/9E	Bolt, 1/2" BSF	4	-	GA6/15
AGS2001E1/66	Nut, 1/2" BSF	4	-	GA6/16
SP13E	Washer	4	-	GA6/17
10A17930	Washer, check	4	-	GA6/18
EG4.80.1333	PANEL, ASSEMBLY, SIDE, NAVIGATOR'S Spares for :-	1	-	GA7/1
C5165Y Mk. 4 SCD78845	INDICATOR, magnetic PANEL, SIDE, ASSEMBLY (SRIM 3533) Spares for :-	1 1	- L72	GA7/2 GA7/3
DZUS PRN3/4 AS10512M-1 5CW4405516	FASTENER, receptacle, intercom. box SHROUD, terminal (Alt. R60/61-Mod 5100) SWITCH, dimmer, IFF	4 1 1	- - -	GA7/4 GA7/5 GA7/6
5CW4405515	SWITCH, dimmer, Tacan, PTR175	1	-	GA7/13
5CW4405521	SWITCH, dimmer, starboard panel lights	1	-	GA7/7
5CW4405520 or 5CW4405521	SWITCH, dimmer, port panel lights	1	-	GA7/14
A31A16	SWITCH, dimmer (Alternative to 5CW/4405520, port position)  Attaching parts for 5CW/4405516, 5CW/4405515, 5CW/4405521 and 5CW/4405520 :- Screw, 6BA	3	-	GA7/8
C180C7	SWITCH, push button, IFF	1	-	GA7/9
AS10512D-7	SWITCH, toggle, Tone and Transmit	1	-	GA7/10
NSF8295B3 or AS10512A-2	SWITCH, tumbler, fan  SWITCH, (Alt. R60/61-Mod 5100) Attaching parts for EG4.80.1333 :-	1 1 1	- - -	GA7/11
AS1248/1/2	Bolt, 2BA	8	-	GA7/12

EQUIPMENT, AIRCRAFT  
PRESSURE CABIN EQUIPMENT

Part Number	1 2 3 4 5 6	Description	No. Off	Matl. Spec.	Plate No.
EG4.80.1321		STRUCTURE, NAVIGATOR'S CONSOLE ASSEMBLY	-	-	GA8/1
EG4.80.1325		Spares for :- BOX, RADIO RELAY, ASSEMBLY (Less equipment and wiring)	1	-	GA8/2
EB6.80.1821		Spares for :- PANEL, access, engraved	1	L72	GA8/3
AS1248/1/6C		Attaching parts for EB6.80.1821 :- Bolt, 2BA	10	-	GA8/4
EG4.80.1347		PANEL, SWITCH, ASSEMBLY (Less equipment)	1	-	GA8/5
EB6.80.1823		Spares for :- PANEL, switch	1	L72	GA8/6
EG4.80.1345		PANEL, switch, engraved	1	L72	GA8/7
AS1248/6C		Attaching parts for EG4.80.1347 :- Bolt, 2BA	10	-	GA8/8
SCB79636		CLAMP, cable, on 'A' frame (SRIM 3533) 18 SWG	1	L72	GA8/9
AS1248/1C		Attaching parts for SCB79636 :- Bolt, 2BA	4	-	GA8/10
SCD79061		PLATFORM, LOWER, INSTALLATION (SRIM 3533)	-	-	GA8/11
SCD79186		Spares for :- FOOTREST, ASSEMBLY, NAVIGATOR'S (SRIM 3533)	1	-	GA8/12
SP93A24		Spares for :- GROMMET	1	-	GA8/13
SCD79172		PANEL, ACCESS, ASSEMBLY, (SRIM 3533)	1	-	GA8/14
DZUS No. 4		Spares for :- CIRCLIP	7	-	GA8/15
SCD79968		DUCT, air, 20 SWG	1	S510	GA8/16
DZUS AJ4/35		FASTENER	7	-	GA8/17
SCC79175		GUARD, DEBRIS, ASSEMBLY (SRIM 3533)	1	L72	GA8/18
DZUS No. 4		Spares for :- CIRCLIP	7	-	GA8/19
DZUS A4/25		FASTENER	7	-	GA8/20
SCD79111		GUARD, shin, assembly, navigator's (SRIM 3533)	1	-	GA8/21
EG7.80.313		SPRING, navigator's folding table (SRIM 3533)	1	-	GA8/22
SCD79464		STAY, NAVIGATOR'S FOLDING TABLE, INSTALLATION (SRIM 3533)	-	-	GA8/23
SCA 79466		Spares for :- BLOCK, anchor, 1/2" thick	2	L72	GA8/24
AGS2001B1		Attaching parts for SCA79466 :- Nut, 4BA	2	-	GA8/25
SCD79464/3		Packing, 18 SWG	1	L72	GA8/26
A33B20		Screw, 4BA	2	-	GA8/27
SP13B		Washer	2	-	GA8/28

AP101B-0415-3A

EQUIPMENT, AIRCRAFT  
PRESSURE CABIN EQUIPMENT

Part Number	Description						No. Off	Mati. Spec.	Plate No.
	1	2	3	4	5	6			
SCB79465	.	.	.	.	.	.	1	L72	GA8/29
A25/2C	.	.	.	.	.	.	2	-	GA8/30
AGS2001C1/66	.	.	.	.	.	.	2	-	GA8/31
SP13C	.	.	.	.	.	.	4	-	GA8/32
EG4.80.1331	.	.	.	.	.	.	-	-	GA9/1
SCD78757	.	.	.	.	.	.	1	-	GA9/2
A25/1C	.	.	.	.	.	.	4	-	GA9/3
AGS2001C1/66	.	.	.	.	.	.	4	-	GA9/4
SP26C	.	.	.	.	.	.	4	-	GA9/5
SCC78946	.	.	.	.	.	.	1	-	GA9/6
A25/1C	.	.	.	.	.	.	4	-	GA9/7
AGS2001C1/66	.	.	.	.	.	.	4	-	GA9/8
10AJ1201979	.	.	.	.	.	.	4	-	GA9/9
AGS2001B1	.	.	.	.	.	.	4	-	GA9/10
A31B16	.	.	.	.	.	.	4	-	GA9/11
SCB79726/2	.	.	.	.	.	.	1	Copper	GA9/12
SP26B	.	.	.	.	.	.	4	-	GA9/13
SCD78947/2	.	.	.	.	.	.	1	L72	GA9/14
A31C16	.	.	.	.	.	.	16	-	GA9/15
SCD76890	.	.	.	.	.	.	-	-	GA9/16
SCD76890/6	.	.	.	.	.	.	1	L72	GA9/17
A31C16	.	.	.	.	.	.	12	-	GA9/18
SCB76888	.	.	.	.	.	.	1	L72	GA9/19
B158E	.	.	.	.	.	.	4	-	GA9/20
AGS2001C1/66	.	.	.	.	.	.	8	-	GA9/21
SP26C	.	.	.	.	.	.	8	-	GA9/22
SCB78759	.	.	.	.	.	.	1	L72	GA9/23
A31B16	.	.	.	.	.	.	4	-	GA9/24

R

EQUIPMENT, AIRCRAFT  
PRESSURE CABIN EQUIPMENT

Part Number	1 2 3 4 5 6	Description	No. Off	Matl. Spec.	Plate No.
EG7.80.69	. . . . .	TABLE, FOLDING, ASSEMBLY, NAVIGATOR'S (SRIM 3533) Spares for :-	1	-	GA8/33
EG7.80.381	. . . . .	CATCH, assembly Attaching parts for EG7.80.381 :-	1	-	GA8/34
AS1246/1C	. . . . .	Bolt, 2BA	2	-	GA8/35
A27CP	. . . . .	Nut, 2BA	2	-	GA8/36
EG7.80.821	. . . . .	Plate, reinforcing	1	-	GA8/37
EG7.80.101	. . . . .	HINGE, (Make from Ref. 28N/16453)	1	-	GA8/38
-	. . . . .	SPRING, ATTACHMENT, ASSEMBLY Consisting of :-	-	-	GA8/39
EG7.80.123	. . . . .	Bolt, special	1	-	GA8/40
AGS2001C1/66	. . . . .	NUT, 2BA	1	-	GA8/41
EG7.80.125	. . . . .	PIECE, distance	1	-	GA8/42
EG7.80.127	. . . . .	WASHER, special	1	-	GA8/43
SP23C	. . . . .	WASHER Attaching parts for EG7.80.69 :-	1	-	GA8/44
AS1248/3C	. . . . .	Bolt, 2BA	21	-	GA8/45
AGS2001C1/66	. . . . .	Nut, 2BA	21	-	GA8/46
SP13C	. . . . .	Washer	21	-	GA8/47
EG4.80.1309	. . . . .	EQUIPMENT, NAVIGATOR'S ON PORT WALL Spares for :-	-	-	GA9A/1
SCD78927	. . . . .	PANEL, WALL, GROUP (SRIM 3533) Spares for -	-	-	GA9A/2
703-2-00244	. . . . .	BLOCK, terminal 10-way Attaching parts for 703-2-00244 :-	1	-	GA9A/3
AGS2001B1	. . . . .	Nut, 4BA	2	-	GA9A/4
Z28426	. . . . .	Pillar, fixing	2	-	GA9A/5
SP26B	. . . . .	Washer	2	-	GA9A/6
703-1-00265	. . . . .	COVER, terminal block	1	-	GA9A/7
SCA79567	. . . . .	LABEL, engraved 'caution' Attaching parts for SCA 79567 :-	1	L72	GA9A/8
A32C16	. . . . .	Screw, 2BA	4	-	GA9A/9
703-2-00251	. . . . .	LINK, 2-way	5	-	GA9A/10
SCC78930	. . . . .	PANEL, TOP, HINGED, ASSEMBLY (SRIM 3533) Spares for :-	1	-	GA9A/11
DZUS	. . . . .	FASTENER, receptacle	4	-	GA9A/12
PRN3½	. . . . .	HINGE, 12½" long	1	-	GA9A/13
AS1879	. . . . .	Attaching parts for SCC78930 :-			
SCA79059	. . . . .	Screw, captive (Make from Ref. 28S/9141845)	4	-	GA9A/14
SCD78933	. . . . .	PANEL, LOWER, ASSEMBLY, (SRIM 3533) Spares for :-	1	-	GA9A/15
-	. . . . .	PLATE, wedge, for control unit type 526 Attaching parts for Ref. 14A/540 :-	1	-	GA9A/16
AGS2001C1/66	. . . . .	Nut, 2BA	4	-	GA9A/17
A33C16	. . . . .	Screw, 2BA	4	-	GA9A/18
SP26C	. . . . .	Washer	4	-	GA9A/19
26FZ44037	. . . . .	TERMINAL, earth	1	-	GA9A/20
EA1.81.429	. . . . .	UNIT, control, transponder, type 16929, IFF/SSR (SRIM 3533)	1	-	GA9A/21

EQUIPMENT, AIRCRAFT  
PRESSURE CABIN EQUIPMENT

Part Number	Description	No. Off	Matl. Spec.	Plate No.
-	. EXTINGUISHER, FIRE, AT NAVIGATOR'S STATION GROUP (MOD 5087) Spares for :-	-	-	GA10/35
GRAVINER 11B180	. . BRACKET, hand extinguisher	1	-	GA10/36
34H	. . EXTINGUISHER, fire, type 34H	1	-	GA10/37
EB6.80.5009	. HANDLE, EMERGENCY HYDRAULIC PUMP, STOWAGE, INSTALLATION Spares for :-	-	-	GA22/5
EA3.80.1989	. . HANDLE, ASSEMBLY Spares for :-	1	-	GA22/6
ROMAC 880 or ROMAC B79 or ROMAC 1001	. . . GRIP Spares for :-	1	-	GA22/7
TERRY 257	. . . GRIP Attaching parts for EA3.80.1989 :-	1	-	
EG4.80.1415	. HOLDER, CARD, ON PILOT'S L.H. COAMING TUBE INSTALLATION (SRIM 3533) Spares for :-	-	-	GA9A/22
EG7.80.1393	. . ANGLE, forward, on coaming tube	1	-	GA9A/23
EG7.80.1395	. . ANGLE, aft, on coaming tube	1	-	GA9A/24
SCB78837	. . BRACKET, assembly, holder support Attaching parts for SCB78837 :-	1	L72	GA9A/25
AS1248/1C	. . Bolt, 2BA	4	-	GA9A/26
AGS2001C1/66	. . Nut, 2BA	4	-	GA9A/27
SP15C	. . Washer	4	-	GA9A/28
SCB78842	. . BRACKET, lamp support	1	-	GA9A/29
5L9951271	. . FILAMENT, 28V, 3.5W	2	-	GA9A/30
SCB78839	. . HOLDER, card, 26 SWG	3	L72	GA9A/31
AS1877	. . HINGE, 9" long	1	-	GA9A/32
5CX1041518	. . LAMP, cockpit, flood, red, type D	2	-	GA9A/33
SCB78838	. . PLATE, hinged, assembly	1	L72	GA9A/34
EA3.80.761	. . SPRING, tension Attaching parts for spring :-	2	-	GA9A/35
A25/2A	. . Bolt, 6BA	2	-	GA9A/36
A26AT	. . Nut, 6BA	4	-	GA9A/37
SP47A	. . Washer	2	-	GA9A/38
EB6.80.4883	. KIT, FIRST-AID, INSTALLATION Spares for :-	1	-	GA22/9
EA3.81.1831	. . BAG, stowage, inspection lamp	1	-	GA22/10
EA1.80.881	. . CONTAINER, box, first aid equipment Attaching parts for EA1.80.881 :-	1	-	GA22/11
AS1248/5C	. . Bolt, 2BA	1	-	GA22/12
AS1248/6C	. . Bolt, 2BA	1	-	GA22/12A
SP16C	. . Washer	2	-	GA22/12B

## EQUIPMENT, AIRCRAFT

## PRESSURE CABIN EQUIPMENT

Part Number	Description 1 2 3 4 5 6	No. Off	Mtl. Spec.	Plate No.
EG4.80.359	. LEVER, SINGLE EJECTION EQUIPMENT, ON PRESSURE BULKHEAD Spares for:—	—	—	GA19/1
A25/1C	. . . BOLT, 2BA	1	—	GA19/1A
A25/4C	. . . BOLT, 2BA	3	—	GA19/2
A25/2C	. . . BOLT, 2BA	24	—	GA19/3
A25/2B	. . . BOLT, 4BA	8	—	GA19/4
AS1242/4C	. . . BOLT, 2BA csk head	2	—	GA19/5
EA3.80.6411	. . . BOLT, special	3	—	GA19/6
EA3.80.6409	. . . BOX, sealing	1	—	GA19/7
EA3.80.6609	. . . CABLE, assembly, secondary firing, port side (Pre—Mod 5353)	1	—	GA19/8
EA3.80.6695	. . . CABLE, secondary firing assembly, port rear seat (Mod 5353)	1	—	
R EA3.80.6691	. . . CABLE, assembly, secondary firing, starboard side (Mod 5266)	1	—	GA19/39
EA3.80.6433	. . . CLEAT	1	—	GA19/9
AS4525/14	. . . CLIP	1	—	GA19/10
SP121G	. . . COLLAR (MOD 4949)	1	—	GA19/10A
SP121B	. . . COLLAR (MOD 5093)	1	—	GA19/10B
EB6.80.8023	. . . CONDUIT, convoluted assembly	1	—	GA19/11
EB6.80.8025	. . . CONDUIT, convoluted assembly	1	—	GA19/12
EA3.80.6407	. . . COVER, assembly	2	—	GA19/13
EA3.80.6417	. . . LEVER, cocking, assembly	2	—	GA19/14
R EA3.80.6439	. . . SOCKET PIECE	1	—	GA19/14A
R SP28.G8	. . . PIN, TAPER	1	—	GA19/14B
R EA3.80.6413	. . . LINK, cocking, assembly Spares for:—	1	—	GA19/15
EA3.80.6461	. . . SOCKET	1	S1	GA19/16
EA3.81.6531	. . . MECHANISM, ASSEMBLY, NAVIGATOR'S	1	—	GA20/1
EA3.81.6523	. . . MECHANISM, ASSEMBLY, BOMB AIMER'S Spares for:—	1	—	GA20/2
EA3.81.6553	. . . ARM, cam follower, assembly	1	—	GA20/3
EA3.81.6061	. . . BLOCK, guide	1	L64	GA20/4
EA3.81.6063	. . . BLOCK, guide	1	L64	GA20/5
EA3.81.6043	. . . BODY	1	L64	GA20/6
A25/10B	. . . BOLT, 4BA	2	—	GA20/7
A25/26C	. . . BOLT, 2BA	3	—	GA20/8
AS1242/10B	. . . BOLT, 4BA, csk. head	1	—	GA20/9
AS1242/26C	. . . BOLT, 2BA, csk. head	2	—	GA20/10
EA3.81.6527	. . . MASK, assembly	1	—	GA20/11
A27BT	. . . NUT, 4BA	3	L16	GA20/12
R AGS2002C1	. . . NUT, 2BA	6	—	GA20/13
EA3.81.6069	. . . PIN, cocking	1	—	GA20/14
EA3.81.6067	. . . PIN, locating	2	S1	GA20/15
SP4Z/A2	. . . PIN, shackle	1	—	GA20/16
SP90C4	. . . PIN, split	2	—	GA20/17
EA3.81.6039	. . . PLATE, back	1	—	GA20/19
EA3.81.6065	. . . PLATE, MOUNTING, PORT Spares for:—	1	—	GA20/20
EA3.81.6073	. . . TUBE, assembly	1	—	GA20/21
EA3.81.6329	. . . PLATE, mounting, starboard	1	—	GA20/22
EA3.81.6087	. . . PLATE, sealing	1	L72	GA20/23
EA3.81.6551	. . . PLUNGER, cam	1	—	GA20/24
DOWTY 1077Z136	. . . RING, retaining microswitch	2	—	GA20/24A
EA3.81.6051	. . . ROLLER	1	S61	GA20/25
4104/4/3/16	. . . SCREW, self-tapping	2	—	GA20/26
EA3.81.6085	. . . SEAL, 1/16" thick	1	Neoprene	GA20/27
EA3.81.6485	. . . SEAR, assembly	1	—	GA20/28

EQUIPMENT, AIRCRAFT  
PRESSURE CABIN EQUIPMENT

Part Number	Description						No. Off	Mati. Spec.	Plate No.
	1	2	3	4	5	6			
DOWTY									
1077Z138						SHROUD, microswitch cable entry	2	-	GA20/28A
EA3.81.6529						SPINDLE	1	S1	GA20/29
EA3.81.6041						SPRING	1	DTD5A	GA20/30
EA3.81.6053						SPRING, compression	1	DTD5A	GA20/31
DOWTY									
DN1241Z Mk. 1A						SWITCH, microseal	2	-	GA20/32
AS2811/5/235						TUBE, distance, 17 SWG	3	L62	GA20/33
SP13B						WASHER, 4BA	3	-	GA20/34
SP13C						WASHER, 2BA	5	-	GA20/35
SP13E						WASHER, 1/2" BSF	1	-	GA20/36
A27CT						NUT, 2BA	9	-	GA19/17
AGS2001C1/66						NUT, 2BA	4	-	GA19/18
AGS2001B1						NUT, 4BA	8	-	GA19/19
EA3.80.6463						PACKING	1	-	GA19/20
SP42/B4						PIN	1	Steel	GA19/21
SP113G5						PIN, shear (Mod 4949)	1	-	GA19/21A
SP113B5-1-2						PIN, shear (Mod 5093)	1	-	GA19/21B
SP90E7						PIN, split (Mod 4949)	1	-	GA19/21C
SP90C5						PIN, split (Mod 5093)	1	-	GA19/21D
SP90C3						PIN, split	1	-	GA19/22
SP90E4						PIN, split	3	-	GA19/23
EA3.80.6429						SEAL	1	-	GA19/24
EA3.80.6421						SEAL	2	-	GA19/25
SP13B						WASHER, 4BA	8	-	GA19/26
SP10C						WASHER, 2BA	10	-	GA19/27
SP15C						WASHER, 2BA	21	-	GA19/28
SP16C						WASHER, 2BA	2	-	GA19/29
SP13C						WASHER, 2BA	1	-	GA19/30
SP13E						WASHER, 1/2" BSF	3	-	GA19/31
EG4.80.1355						MAP READER'S POSITION, FIRE AXE AND FIRE EXTINGUISHER STOWAGE, INSTALLATION Spares for: -	-	-	
27N1						AXE, fire Attaching parts for Ref. 27N/1:-	1	-	GA10/1
AS2294/8						Clip, 1/2" o/d	1	-	GA10/2
EA3.80.1831						Strap	1	-	GA10/3
EB6.80.5735						COVER, map case	1	-	GA12/39
EG4.80.1357						EXTINGUISHER, FIRE, INSTALLATION Spares for: -	-	-	
EG4.80.73						BRACKET, top, extinguisher mounting	1	-	GA10/4
EG4.80.81						BRACKET, bottom, extinguisher mounting	1	-	GA10/5
EG4.80.83						BRACKET, intermediate, bottom pipe clip	1	-	GA10/6
EG4.80.85						BRACKET, intermediate, top pipe clip	1	-	GA10/7
11B180						BRACKET, hand extinguisher Attaching parts for 11B180:-	1	-	GA10/9
AS1244/5C						Bolt, 2BA	4	-	GA10/10
34H						EXTINGUISHER, fire, type 34H	1	-	GA10/11



Part Number	Description	No. Off	Mati. Spec.	Plate No.
EB6.80.5733	. . . . BACKREST Spares for:—	1	—	GA11/5
EB6.80.301	. . . . SOCKET, bottom attachment c/w bush Attaching parts for EB6.80.5733:—	2	—	GA11/6
EB6.80.303	. . . . Pin, hinge	2	S96	GA11/7
EB6.80.4951	. . . . CATCH, SEAT, EMERGENCY, ASSEMBLY Spares for:—	—	—	GA11/8
EB6.80.317	. . . . BRACKET, hinge Attaching parts for EB6.80.317:—	1	—	GA11/9
A32C16	. . . . Screw, 2BA	2	—	GA11/10
EB6.80.501	. . . . CATCH Attaching parts for EB6.80.501:—	1	—	GA11/11
EB6.80.313	. . . . PIN, clevis, assembly	1	—	GA11/12
SP65G4	. . . . Pin, taper	1	S92	GA11/13
EB6.80.315	. . . . Spring	1	DTD215	GA11/14
SP13G	. . . . Washer	1	—	GA11/14A
EB6.80.843	. . . . RING, attachment on catch Attaching parts for EB6.80.843:—	1	S1	GA11/15
A25/11B	. . . . Bolt, 4BA	1	—	GA11/16
AGS2001B1	. . . . Nut, 4BA	1	—	GA11/17
SP13B	. . . . Washer, 4BA	2	—	GA11/17A
EB6.80.487	. . . . HARNESS, bungee Attaching parts for EB6.80.487:—	1	—	GA11/18
A25/1C	. . . . Bolt, 2BA	1	—	GA11/19
EEAS143/23	. . . . Clip	1	L72	GA11/20
AGS2001C1/66	. . . . Nut, 2BA	1	—	GA11/21
EB6.80.4581	. . . . LOCK, BOTTOM, ASSEMBLY Spares for:—	1	—	GA11/22
EB6.80.5585	. . . . BRACKET, half bottom aft	1	—	GA11/23
EB6.80.5586	. . . . BRACKET, half bottom forward Attaching parts for EB6.80.5585 and 5586:—	1	—	GA11/24
EA3.80.1255	. . . . Bolt, 2BA	2	S11	GA11/25
A27CP	. . . . Nut, 2BA	2	—	GA11/26
SP47C	. . . . Washer, 2BA	2	—	GA11/26A
EB6.80.293	. . . . CATCH, bottom Attaching parts for EB6.80.293:—	1	DTD124	GA11/27
A25/2 <sup>1</sup> / <sub>2</sub> C	. . . . Bolt, 2BA (Make from A25/3C)	1	—	GA11/28
A27CS	. . . . Nut, 2BA	1	—	GA11/29
SP90-C7	. . . . Pin, split	1	—	GA11/29A
SP13C	. . . . Washer, 2BA	1	—	GA11/29B
EA3.80.1285	. . . . SADDLE, attaching control cable lock Attaching parts for EA3.80.1285:—	1	—	GA11/30
A25/5B	. . . . Bolt, 4BA	1	—	GA11/31
AGS2001B1	. . . . Nut, 4BA	1	—	GA11/32
EEAS28/6GR	. . . . Washer	4	L72	GA11/32A
EA3.80.1253	. . . . SPRING, bottom lock	1	Spring Steel	GA11/33
AGS2001C1/66	. . . . Attaching parts for EB6.80.4581:— Nut, 2BA	6	—	GA11/34
EEAS1/3C	. . . . Screw, 2BA	6	—	GA11/35
SP13C	. . . . Washer	6	—	GA11/35A

EQUIPMENT, AIRCRAFT  
PRESSURE CABIN EQUIPMENT

Part Number	1 2 3 4 5 6	Description	No. Off	Matl. Spec.	Plate No.
EB6.80.507	. . . .	PAD, back, lower	1	—	GA11/36
EB6.80.505	. . . .	PAD, back, upper	1	—	GA11/37
EB6.80.5609	. . . .	SEAT, ASSEMBLY	1	—	GA12/1
EA3.80.1289	. . . .	CABLE, BOWDEN, ASSEMBLY	1	—	GA12/2
EA3.80.1293	. . . . .	BRACKET	1	L72	GA12/3
BOWDEN P19/52A	. . . . .	CABLE, 'Bowdenite' non-fray, inner	QR	—	GA12/4
BOWDEN B52	. . . . .	CONDUIT, outer	QR	—	GA12/5
BOWDEN PN980	. . . . .	FERRULE, plain	2	—	GA12/6
BOWDEN PN3341A	. . . . .	NIPPLE, spherical	2	—	GA12/7
BOWDEN PN1159	. . . . .	STOP, plain, adjusting	1	—	GA12/8
EA3.80.1291	. . . . .	WASHER, tapped, radiused	1	S11	GA12/9
A25/1B	. . . . .	Bolt, 4BA	2	—	GA12/10
EEAS143/6	. . . . .	Clip	4	—	GA12/11
A27BP	. . . . .	Nut	2	—	GA12/12
4101/6 <sup>5</sup> / <sub>16</sub> "	. . . . .	Screw, self-tapping	2	—	GA12/13
SP47B	. . . . .	Washer	2	—	GA12/13A
EB6.80.305	. . . . .	FORK-END for backrest, attachment	2	S96	GA12/14
EA3.80.1275	. . . . .	LEVER, HAND, ASSEMBLY FOR BOWDEN CONTROL CABLE	1	—	GA12/15
EA3.80.1277	. . . . .	TRIGGER, assembly	1	—	GA12/16
A25/4 <sup>1</sup> / <sub>2</sub> B	. . . . .	Bolt, 4BA (Make from A25/5B)	1	—	GA12/17
A25/7B	. . . . .	Bolt, 4BA	1	—	GA12/18
AGS2001B1	. . . . .	Nut, 4BA	1	—	GA12/19
EB6.80.4953	. . . . .	STRAP, SEAT STOWAGE, ASSEMBLY	1	—	GA12/20
EB6.80.5595	. . . . .	STRAP, leather	1	TG34	GA12/21
AS1242/3C	. . . . .	Bolt, 2BA	1	—	GA12/22
AGS2001C1/66	. . . . .	Nut, 2BA	1	—	GA12/23
EA3.80.1961	. . . . .	Plate, front (Make from Ref. 30B/9611210)	1	L72	GA12/24
EA3.80.1963	. . . . .	Plate, reinforcing (Make from Ref. 30B/9611213)	1	L72	GA12/25
EB6.80.4707	. . . . .	SUPPORT, MAP READER'S AND FIRE AXE STOWAGE, ASSEMBLY	1	—	GA12/26
R EB6.80.831	. . . . .	BRACKET, mounting	1	—	GA12/48
R A25/1C	. . . . .	Bolt, 2BA	2	—	GA12/49
AGS2001C1/66	. . . . .	Nut, stiff, 2BA	2	—	GA12/41
SP13C	. . . . .	Washer, 2BA	2	—	GA12/42

AP101B-0415-3A

Page GA.17

EQUIPMENT, AIRCRAFT  
CABIN PRESSURE EQUIPMENT

Part Number	Description	No. Off	Mtl. Spec.	Plate No.
EB6.80.815	. . . . . PLATE, mounting	1	-	GA12/43
A25/6B	. . . . . Attaching parts for EB6.80.815:- Bolt, 4BA	4	-	GA12/44
AGS2001B1	. . . . . Nut, stiff, 4BA	4	-	GA12/45
SP13B	. . . . . Washer, 4BA	4	-	GA12/46
EA3.80.1261	. . . . . ROLLER, GUIDE, ASSEMBLY	1	-	GA12/27
	. . . . . Spares for:-			
EA3.80.1259	. . . . . BOLT, special	1	S11	GA12/28
EA3.80.1257	. . . . . ROLLER	1	L40	GA12/29
AS2811/6/020	. . . . . WASHER, distance	1	T4	GA12/30
	. . . . . Attaching parts for EA3.80.1261:-			
A27ET	. . . . . Nut, 1/4" BSF	1	-	GA12/31
AS2811/6/028	. . . . . Piece, distance	1	L62	GA12/32
SP47E	. . . . . Washer, 1/4"	1	-	GA12/32A
EB6.80.4705	. . . . . SUPPORT, map reader's seat	1	-	GA12/33
	. . . . . Attaching parts for EB6.80.4705:-			
A25/13C	. . . . . Bolt, 2BA	1	-	GA12/34
A25/20C	. . . . . Bolt, 2BA	1	-	GA12/35
A27CS	. . . . . Nut, 2BA	2	-	GA12/36
SP90C7	. . . . . Pin, split	2	-	GA12/37
SP13C	. . . . . Washer, 2BA	2	-	GA12/38
EB6.80.5615	. . . . . STUD, fixing, for expanding map case	2	L65	GA12/47
R EB6.80.3273	. . . . . MOUNTING, INSTRUMENT JUNCTION BOX	-	-	
	. . . . . Spares for:-			
	. . . . . BOX, junction	1	-	
	. . . . . Attaching parts:-			
R A31B16	. . . . . Screw	2	-	
R SP13/B	. . . . . Washer	2	-	
R AGS1725/1	. . . . . DISC, blanking	1	-	
R AGS1658/0	. . . . . NUT, gland	1	-	
R EB6.80.3269	. . . . . PLATE, mounting	1	-	

EQUIPMENT, AIRCRAFT  
PRESSURE CABIN EQUIPMENT

Part Number	Description	No. Off	Mtl. Spec.	Plate No.
EG4.80.1311	PANELS, PILOT'S INSTRUMENT, INSTALLATION	-	-	
	Spares for:-			
EA1.81.401	LEAD, bonding	1	-	GA13/1
AS3360B4B	LEAD, bonding	1	-	GA13/2
100P4	MOUNTING, anti-vibration, rubber, 4lb.	6	-	GA13/3
150P10	MOUNTING, anti-vibration, rubber, 10lb.	6	-	GA13/4
150P8	MOUNTING, anti-vibration, rubber, 8lb.	2	-	GA13/5
	Attaching parts for 100P4, 150P8 and 150P10:-			
A25/1B	Bolt, 4BA (As required)	4	-	GA13/6
A61/1B	Bolt, 4BA (As required)	4	-	GA13/7
A61/2B	Bolt, 4BA (As required)	4	-	GA13/8
AGS2001B1	Nut, 4BA (As required)	4	-	GA13/9
AGS2001B3	Nut, 4BA (As required)	4	-	GA13/10
EB6.80.31	PANEL, ENGINE INSTRUMENT, ASSEMBLY	-	-	GA17/1
	Spares for:-			
EB7.80.43	BRACKET, mounting plug	2	L72	GA17/2
	Attaching parts for EB7.80.43:-			
AGS2001A1	Nut, 6BA	4	-	GA17/3
A43A10	Screw, 6BA	4	-	GA17/4
SP15A	Washer	4	-	GA17/5
5E9467424	CABLE, Uninyvin 20	QR	-	GA17/6
5E9008507	CABLE, Uninyvin 14	QR	-	GA17/7
HV3711	CAP, Helvin, dolly	8	-	GA17/8
AS3180-8B	CLIP, cable	1	-	GA17/9
AS1380/10B	CLIP, cable	1	-	GA17/10
	Attaching parts for AS1380/8B and 3180/10B:-			
AGS2001B1	Nut, stiff 4BA	1	-	GA17/11
A43B12	Screw, 4BA cheese head	1	-	GA17/12
EEAS111/3	FERRULE	1	-	GA17/13
EEAS111/4	FERRULE	1	-	GA17/14
5L9951110	FILAMENT, 6V, 0.24W	2	-	GA17/15
508/2/07706/200	GASKET, outlet	1	-	GA17/16
508/2/07707/200	GASKET, outlet	1	-	GA17/17
SMITH-WAYMOUTH AG25	GAUGE, fuel contents (Pre-Mod 3391)	1	-	GA17/18
SMITH-WAYMOUTH AG144	GAUGE, fuel contents (Mod 3391)	1	-	
SMITH-WAYMOUTH AG26	GAUGE, fuel contents	1	-	GA17/19
SMITH-WAYMOUTH AG27	GAUGE, fuel contents	1	-	GA17/20
SMITH-WAYMOUTH AG28	GAUGE, fuel contents	2	-	GA17/21
	Attaching parts for AG25, AG144, AG26, AG27 or AG28:-			
A43B20	Screw	4	-	GA17/22
SMITH-WAYMOUTH 1ACR	GAUGE, oil pressure	2	-	GA17/23
	Attaching parts for 1ACR:-			
A43B24	Screw, 4BA	4	-	GA17/24

EQUIPMENT, AIRCRAFT  
PRESSURE CABIN EQUIPMENT

Part Number	Description	No. Off	Mtl. Spec.	Plate No.
SIS3652	. . . INDICATOR, exhaust gas temperature	1	-	GA17/25
AGS2001C1/66	. . . Attaching parts for SIS3652:-	4	-	GA17/26
A43C20	. . . Nut, 2BA	4	-	GA17/27
SIS3596	. . . INDICATOR, tachometer, Mk. 10A	2	-	GA17/28
A43B24	. . . Attaching parts for SIS3596:- Screw, 4BA	4	-	GA17/29
SIS2968	. . . LAMP, warning, type B	2	-	GA17/30
AGS1658/0	. . . NUT, gland (if required)	2	-	GA17/31
508/1/07624/003	. . . OUTLET, straight	1	-	GA17/32
508/1/07627/003	. . . OUTLET, straight	1	-	GA17/33
EB6.80.33	. . . PANEL, engine instrument	1	-	GA17/34
508/1/40073/320	. . . PLUG, fixed, 9-way, 19 amp	2	-	GA17/35
508/1/11778/003	. . . RING, clamping screw, type	1	-	GA17/36
508/1/11778/002	. . . RING, clamping screw type	1	-	GA17/37
508/2/07709/200	. . . RING, sealing	1	-	GA17/38
508/2/17713/200	. . . RING, sealing	1	-	GA17/39
508/1/40009/320	. . . SOCKET, free, 12-way	1	-	GA17/40
108/1/40016/320	. . . SOCKET, free, 25-way	1	-	GA17/41
HELLERMANN HV3254	. . . STRAP, Helvin	QR	-	
HELLERMANN HV3255	. . . STUD, Helvin	18	-	
ROTAX SIS5495	. . . SWITCH, C/O, S/P	8	-	GA17/42
A43B12	. . . Attaching parts for SIS5495:- Screw, 4BA	2	-	GA17/43
EEAS28/2ER	. . . Washer	4	L16	GA17/44
AGS2035B	. . . Washer, shakeproof	2	-	GA17/45
A25/8B	. . . Attaching parts for EB6.80.31:- Bolt, 4BA	2	-	GA13/11
A25/11B	. . . Bolt, 4BA	1	-	GA13/12
AGS2001B1	. . . Nut, 4BA	3	-	GA13/13
EEAS28/6GR	. . . Washer	2	-	GA13/14
EA3.80.1789	. . . Washer, special	10	L72	GA13/15
EG4.80.1183	. . . PANEL, FLYING, ASSEMBLY Spares for:-	-	-	GA15/1
KOLLSMAN L82621-04-010	. . . ALTIMETER, Mk. 29B Attaching parts for L82621-04-010:-	1	-	GA15/2
KOLLSMAN L84380-00-100	. . . Plate, mooring	1	-	GA15/2A
A219B36	. . . Screw, 6UNC	4	-	GA15/3
or A221B36	. . . Screw, 6 UNC	4	-	

EQUIPMENT, AIRCRAFT  
PRESSURE CABIN EQUIPMENT

Part Number	1 2 3 4 5 6	Description	No. Off	Matl. Spec.	Plate No.
WARD BROOKE WB/UN 1146S3W	. . .	BLOCK, terminal Attaching parts for WB/UN1146S3W :-	1	-	GA15/4
A40B10	. . .	Screw, 4BA	2	-	GA15/4A
SP15B	. . .	Washer, 4BA	2	-	GA15/4B
AGS2037B	. . .	Washer, shakeproof	2	-	GA15/4C
EB7.80.473	. . .	BRACKET, shock absorber (Made from EEDX41) Attaching parts for EB7.80.473 :-	4	DTD683	GA15/5
A61/3C	. . .	Bolt, 2BA	2	-	GA15/6
AGS2001C3	. . .	Nut, 2BA	2	-	GA15/7
SP124D	. . .	Washer	2	-	GA15/8
EG4.81.2677	. . .	CABLE, ASSEMBLY, L3A1, between terminal blocks on pilot's coaming and flying panels	1	-	
SIS2802 or SIS2802	. . .	CLOCK, fluorescent, Mk.4	1	-	GA15/10
	. . .	CLOCK, fluorescent, Mk.4B (Screws supplied with clock)	1	-	
WARD BROOKE WB/UN/NY1110/3	. . .	COVER, terminal block	1	-	GA15/11
5L9959118	. . .	FILAMENT, 28V, 0.04 amp	2	-	GA15/12
5L9959122	. . .	FILAMENT, 28V, 2W	1	-	GA15/13
MRI-1AP274	. . .	HOLDER, deviation card, Mk.4 Attaching parts for MRI-1AP274:-	1	-	GA15/15
4R X 3/16"	. . .	Screw, self tapping 3/16" long	4	-	GA15/16
164-1ASPC	. . .	INDICATOR, air speed, Mk.15A Attaching parts for 164-1ASPC:-	1	-	GA15/17
AGS2001C1	. . .	NUT	4	-	GA15/17A
A44B28	. . .	Screw, 4BA	4	-	GA15/18
10Q16355	. . .	INDICATOR, Tacan, type 9547 Attaching parts for 10Q/16355 :-	1	-	GA15/19
A44B16	. . .	Screw, 4BA	4	-	GA15/20
T1630	. . .	INDICATOR, bearing DF1630 Attaching parts for T1630	1	-	GA15/21
A44B26	. . .	Screw, 4BA	4	-	GA15/22
SIS5686	. . .	INDICATOR, azimuth deviation Attaching parts for SIS5686 :-	1	-	GA15/23
A44B28	. . .	Screw, 4BA	4	-	GA15/24
AGS2037B	. . .	Washer, shakeproof	4	-	GA15/25
C1245Z MK2	. . .	INDICATOR, electro magnetic, type B	1	-	GA15/26
C5165Y	. . .	INDICATOR, magnetic	4	-	GA15/27
SIS6101	. . .	INDICATOR, rate of climb, Mk.3P (Pre-Mod 5228)	1	-	
KRA1001K or 6A2966	. . .	INDICATOR, rate of climb, Mk. 3Q (Mod 5228)	1	-	GA15/28
	. . .	INDICATOR, rate of climb, Mk.3AP (Mod 5228) Attaching parts for indicators :-	1	-	
A44B29	. . .	Screw, 4BA	4	-	GA15/29

AP101B-0415-3A

EQUIPMENT, AIRCRAFT  
PRESSURE CABIN EQUIPMENT

Part Number	Description						No. Off	Mtl. Spec.	Plate No.
	1	2	3	4	5	6			
SMITH 430FL	.	.	.				1	-	GA15/30
SMITH 431FL	.	.	.				1	-	GA15/31
or SMITH 496FL	.	.	.				1	-	
SMITH 814FL	.	.	.				1	-	GA15/32
A44B24	.	.	.				4	-	GA15/33
R 2A	.	.	.				1	-	GA15/34
or R ID95 ISSUE 2	.	.	.				1	-	
or R 6A2945	.	.	.				1	-	
A44B28	.	.	.				4	-	GA15/35
AGS2037B	.	.	.				4	-	GA15/36
R 16611-0	.	.	.				1	-	GA15/37
R A44B20	.	.	.				4	-	GA15/38
5Q4347747	.	.	.				1	-	GA15/39
AGS2001A1	.	.	.				3	-	GA15/40
A45A18	.	.	.				3	-	GA15/41
SP124A	.	.	.				3	-	GA15/42
THORN 30/10/0678	.	.	.				2	-	GA15/43
PAGE ENG. A1660C15	.	.	.				1	-	GA15/44
SIS6146	.	.	.				1	-	GA15/45
A44B28	.	.	.				4	-	GA15/46
AGS2037B	.	.	.				4	-	GA15/47
6A4417	.	.	.				1	-	GA15/48
A44B30	.	.	.				4	-	GA15/49
EG4.80.1185	.	.	.				1	-	GA15/50
EB6.81.5349	.	.	.				2	-	GA15/51
AS10512L-1	.	.	.				1	-	GA15/52
EG4.81.3207	.	.	.				1	L73	GA15/53

EQUIPMENT, AIRCRAFT  
PRESSURE CABIN EQUIPMENT

Part Number	Description	No. Off	Matl. Spec.	Plate No.
EG4.81.2673	RESISTOR, ASSEMBLY Consisting of :-	1	-	GA15/54
UNIMINYVIN 22 CGS RESISTANCE CO. LTD.	CABLE, Uniminyvin 22	AR	-	GA15/55
HSA5/80	RESISTOR, 80 ohms ± 5%	1	-	GA15/56
EEAS146/20	SLEEVE, ¾" long	AR	-	GA15/57
HC294	TAG	2	-	GA15/58
A47Z	Attaching parts for EG4.81.2673 :- Nut, 8BA	2	-	GA15/59
A31Z12	Screw, 8BA	2	-	GA15/60
SP47Z	Washer	2	-	GA15/61
AS10512M-1 WARD BROOKE	SHROUD, terminal (Alt. R60/61-Mod 5100)	1	-	GA15/62
WB1114/22	SPACER	2	-	GA15/63
SIS5495	SWITCH, SP. CO (Pre-Mod 5100)	1	-	GA15/64
AS10512B-3	SWITCH, Emergency Turn and Slip Supply (Alt. R60/61-Mod 5100)	1	-	
A31B16	Attaching parts for SIS 5495 or AS10512B-3 :- Screw, 4BA, cheese head	2	-	GA15/65
SP10B	Washer, 4BA	2	-	GA15/66
16382-0	UNIT, gyro compass, type B Attaching parts for 16382-0:-	1	-	GA15/67
A44C28	Screw, 2BA	4	-	GA15/68
64-32900-4A	UNIT, gyro horizon Mk. 4A Attaching parts for 64-32900-4A:-	1	-	GA15/69
A32C24	Screw, 2BA	3	-	GA15/70
A61/14E	Attaching parts for EG4.80.1183 :- Bolt, ¼" BSF	4	-	GA13/16
AGS2001E1/66	Nut, ¼" BSF	4	-	GA13/17
EEAS28/51FR	Washer	10	-	GA13/18
EEAS28/51JR	Washer	2	-	GA13/19
EG4.80.1401	PANEL, INSTRUMENT, STARBOARD, FIXED, INSTALLATION (MOD 4799 SRIM 3533) Spares for :-	-	-	GA14/1
SCA78618/1	BRACKET, mounting (SRIM 3533)	1	-	GA14/2
SCA78618/2	BRACKET, mounting (SRIM 3533)	1	-	GA14/3
A25/4C	Attaching parts for SCA78618/1 and SCA78618/2 :- Boit, 2BA	4	-	GA14/4
GS2001C1/66	Nut, stiff, 2BA	4	-	GA14/5
SP13C	Washer, 2BA	4	-	GA14/6

EQUIPMENT, AIRCRAFT  
PRESSURE CABIN EQUIPMENT

Part Number	Description						No. Off	Mtl. Spec.	Plate No.
	1	2	3	4	5	6			
AS4525/3	.	.	.	.	.	.	1	-	GA14/7
A25/4C	.	.	.	.	.	.	1	-	GA14/7A
AGS2001C1/66	.	.	.	.	.	.	1	-	GA14/7B
SP13C	.	.	.	.	.	.	1	-	GA14/7C
AS5418/12	.	.	.	.	.	.	1	-	GA14/8
AGS2001C1/66	.	.	.	.	.	.	1	-	GA14/9
A44C16	.	.	.	.	.	.	1	-	GA14/10
SP13C	.	.	.	.	.	.	1	-	GA14/11
EG4.81.813	.	.	.	.	.	.	1	-	GA14/12
EG4.80.1425	.	.	.	.	.	.	1	-	
EG5.80.113	.	.	.	.	.	.	1	S96	GA14/13
EG4.81.819	.	.	.	.	.	.	1	-	GA14/14
EG4.81.805	.	.	.	.	.	.	2	-	GA14/14A
EG4.81.799	.	.	.	.	.	.	1	L65	GA14/14B
EG4.81.801	.	.	.	.	.	.	2	-	GA14/14C
EG5.80.115	.	.	.	.	.	.	1	BS249	GA14/15
EG4.81.827	.	.	.	.	.	.	1	S94	GA14/16
EG4.81.828	.	.	.	.	.	.	1	S94	GA14/17
G.E.C. LTD. SF26021	.	.	.	.	.	.	1	-	GA14/18
HERMAN-SMITH LTD. HE64700-15	.	.	.	.	.	.	1	-	
EG5.80.121	.	.	.	.	.	.	1	S96	GA14/19
A25/4C	.	.	.	.	.	.	3	-	GA14/19A
AGS2001C1/66	.	.	.	.	.	.	3	-	GA14/19B
SP13C	.	.	.	.	.	.	3	-	GA14/19C
SCA78620	.	.	.	.	.	.	1	-	GA14/20
SCA78619	.	.	.	.	.	.	2	-	GA14/21
EG4.80.1403	.	.	.	.	.	.	-	-	
6A4333072	.	.	.	.	.	.	1	-	GA14/22
A43B24	.	.	.	.	.	.	4	-	GA14/23
AGS2037B	.	.	.	.	.	.	4	-	GA14/24
703/1/00232	.	.	.	.	.	.	1	-	GA14/25
AGS2001B4	.	.	.	.	.	.	2	-	GA14/26
A44B32	.	.	.	.	.	.	2	-	GA14/27
10L9455739	.	.	.	.	.	.	2	-	GA14/28
5L9951272	.	.	.	.	.	.	2	-	GA14/29
EA4.81.1687	.	.	.	.	.	.	1	-	GA14/30
6D2237	.	.	.	.	.	.	2	-	GA14/31
A43B24	.	.	.	.	.	.	4	-	GA14/32
AGS2037B	.	.	.	.	.	.	4	-	GA14/33
10069 N & Z or SIS 3592	.	.	.	.	.	.	2	-	GA14/34
A43B24	.	.	.	.	.	.	4	-	GA14/35
AGS2037B	.	.	.	.	.	.	4	-	GA14/36

EQUIPMENT, AIRCRAFT  
PRESSURE CABIN EQUIPMENT

Part Number	1 2 3 4 5 6	Description	No. Off	Matl. Spec.	Plate No.
DN.1320Z2		GROMMET (MOD 4939)	1	-	GA14/37
SMITH 505FL		INDICATOR, cabin air Attaching parts for 505FL :-	1	-	GA14/38
A43B24		Screw, 4BA	4	-	GA14/39
AGS2037B		Washer, shakeproof	4	-	GA14/40
5CX1085815		LAMP, warning, red, type B	2	-	GA14/41
SCD78615		PANEL, ENGRAVED, ASSEMBLY Spares for :-	1	-	GA14/42
DZUS PRN3½		FASTENER, receptacle	8	-	GA14/43
SCB79912		GUARD, fan switch 18 SWG	1	L72	GA14/44
AS10512L-2		PLATE, adaptor, cabin pressure warning horn switch Attaching parts for AS10512L-2 :-	1	-	GA14/45
A32/B12		Screw, 4BA, cheese head	4	-	
AS10512L-1		PLATE, adaptor, tone and PTR switches Attaching parts for AS10512L-1 :-	3	-	
A31/B16		Screw, 4BA, cheese head	2	-	
SP10/B		Washer, 4BA	2	-	
AS10512M-2		SHROUD, terminal (Mod 4939)	1	-	GA14/46
AS10512M-1		SHROUD, terminal (Alt. R60/61-Mod 5100)	6	-	
AS10512C-4		SWITCH, fan	1	-	GA14/48
AS10512C-4		SWITCH, cabin pressure warning horn	1	-	GA14/49
AS10512A-2		SWITCH, engine air to cabin	2	-	GA14/50
AS10512A-2		SWITCH, No. 2 PTR 175	1	-	GA14/50
AS10512A-1		SWITCH, cabin air	1	-	GA14/51
NSF					
8824B 108		SWITCH, overload tanks	2	-	GA14/47
AS10512A-7		SWITCH, tone 1 and 2	2	-	GA14/59
5CW6311		SWITCH, push, fire Attaching parts for Ref. 5CW/6311 :-	2	-	GA14/52
A44B12		Screw, 4BA	4	-	GA14/53
AGS2037B		Washer, shakeproof	4	-	GA14/54
DOWTY C5162Y Mk. 3		SWITCH, push, type B, engine fire warning Attaching parts for C5162Y Mk. 3 :-	1	-	GA14/55
A53Z		Nut, 8BA	2	-	GA14/56
A43Z12		Screw, 8BA	2	-	GA14/57
AGS2037AA		Washer, shakeproof	2	-	GA14/58

EQUIPMENT, AIRCRAFT  
PRESSURE CABIN EQUIPMENT

Part Number	Description						No. Off	Mati. Spec.	Plate No.
	1	2	3	4	5	6			
909E1448-13	.	.	.	.	.	.	1	-	GA14/62
	.	.	.	.	.	.			
AGS2001A4	.	.	.	.	.	.	4	-	GA14/63
A45A16	.	.	.	.	.	.	4	-	GA14/64
	.	.	.	.	.	.			
A25/1C	.	.	.	.	.	.	2	-	GA14/65
A25/2C	.	.	.	.	.	.	6	-	GA14/66
AGS2001C1-66	.	.	.	.	.	.	2	-	GA14/67
SP13C	.	.	.	.	.	.	2	-	GA14/68
SP15C	.	.	.	.	.	.	6	-	GA14/69
SCL/4	.	.	.	.	.	.	AR	-	
EB6.80.2927	.	.	.	.	.	.	1	-	GA16/1
	.	.	.	.	.	.			
EA3.81.2081	.	.	.	.	.	.	1	-	GA16/2
HELLERMANN	.	.	.	.	.	.			
4743	.	.	.	.	.	.	1	-	GA16/3
UNINYVIN 20	.	.	.	.	.	.	QR	-	
UNINYVIN 22	.	.	.	.	.	.	QR	-	
508/1/07780/003	.	.	.	.	.	.	1	-	GA16/4
EB7.80.35	.	.	.	.	.	.	1	-	GA16/5
	.	.	.	.	.	.			
A25/4B	.	.	.	.	.	.	2	-	GA16/6
AGS2001B1	.	.	.	.	.	.	2	-	GA16/7
	.	.	.	.	.	.			
CZ56746	.	.	.	.	.	.	1	-	GA16/8
5L9951286	.	.	.	.	.	.	9	-	GA16/9
or	.	.	.	.	.	.			
5L9951284	.	.	.	.	.	.	9	-	
508/2/07707/200	.	.	.	.	.	.	1	-	GA16/10
508/2/07724/200	.	.	.	.	.	.	1	-	GA16/11
ZA2402-1	.	.	.	.	.	.	1	-	GA15/12
	.	.	.	.	.	.			
A32B12	.	.	.	.	.	.	4	-	GA16/13
EEAS28/2HP	.	.	.	.	.	.	4	-	GA16/14
EH7.80.49	.	.	.	.	.	.	1	-	
SMITH 218FL	.	.	.	.	.	.	1	-	GA16/15
	.	.	.	.	.	.			
A40B20	.	.	.	.	.	.	4	-	GA16/16
	.	.	.	.	.	.			
50X4330226	.	.	.	.	.	.	1	-	GA16/17
	.	.	.	.	.	.			
A40B20	.	.	.	.	.	.	4	-	GA16/18

R

EQUIPMENT, AIRCRAFT  
PRESSURE CABIN EQUIPMENT

Part Number	1 2 3 4 5 6	Description	No. Off	Matl. Spec.	Plate No.
EA3.81.2075	. . .	KNOB, switch	1	-	GA16/19
		Attaching parts for EA3.81.2075 :-			
A31B28	. . .	Screw, 4BA	1	-	GA16/20
AGS2034B	. . .	Washer, shakeproof	1	-	GA16/21
EB7.75.55	. . .	LOUVRE, (or make from Ref. 5042)	1	-	GA16/22
		Attaching parts for EB7.75.55 :-			
AS2922/3B	. . .	Bolt, 4BA	3	-	GA16/23
EB6.75.1433	. . .	LOUVRE, box, assembly	1	-	GA16/24
HC1189	. . .	LUG, cranked	2	-	GA16/25
HC294	. . .	LUG, straight	3	-	GA16/26
508/1/07627/003	. . .	OUTLET	1	-	GA16/27
EB6.80.2929	. . .	PANEL, instrument, sub-assembly	1	-	GA16/28
AS10512L-2	. . .	PLATE, adapter (Alt. R60/61-Mod 5100)	1	-	
Z67407	. . .	RING, sealing	1	-	GA16/29
508/2/07758/007	. . .	RING, thrust	1	-	GA16/30
AS10512M-2	. . .	SHROUD, terminal (Alt. R60/61-Mod 5100)	1	-	
HV3254	. . .	STRAP, Helvin	QR	-	
NY3255	. . .	STUD, Helvin	8	-	
EA3.81.5851	. . .	SWITCH, FLAP SELECTOR, ASSEMBLY (MOD 4005)	1	-	GA16/31
		Consisting of :-			
A33A6	. . .	SCREW, 6BA	2	-	GA16/32
XD789	. . .	SWITCH	1	-	GA16/33
EA3.81.2073	. . .	TOGGLE	1	-	GA16/34
		Attaching parts for EA3.81.5851 :-			
A31B12	. . .	Screw, 4BA	4	-	GA16/35
AGS2035B	. . .	Washer	4	-	GA16/36
EEAS28/2HP	. . .	Washer	4	-	GA16/37
5CW6435	. . .	SWITCH, master, undercarriage (Pre-Mod 3849)	1	-	GA16/38
XD789	. . .	SWITCH, master, undercarriage (Mod 3849) (Pre-Mod 5100)	1	-	
		Attaching parts for 5CW/6435 or XD789:-			
A32B16	. . .	Screw, 4BA	4	-	GA16/39
EEAS28/2HP	. . .	Washer	4	-	GA16/40
AGS2035B	. . .	Washer	4	-	GA16/41
AS10512D-2	. . .	SWITCH, master, undercarriage (Alt. R60/61-Mod 5100)	1	-	
		Attaching parts for AS10512D-2 :-			
A31B16	. . .	Screw, 4BA, cheese head	4	-	
SP10B	. . .	Washer, 4BA	4	-	
EB6.80.2931	. . .	SWITCH, selector, undercarriage (Make from Ref. 5CW/4506)	1	-	GA16/42
		Attaching parts for EB6.80.2931 :-			
AGS2001B1	. . .	Nut, 4BA	2	-	GA16/43
A32B16	. . .	Screw, 4BA	2	-	GA16/44
AS1246/1C	. . .	Attaching parts for EB6.80.2927 :- Bolt, 2BA	12	-	GA16/45

## EQUIPMENT, AIRCRAFT

## PRESSURE CABIN EQUIPMENT

Part Number	1 2 3 4 5 6	Description	No. Off	Mati. Spec.	Plate No.
EG4.80.1413		. . . PANEL, PILOT'S CONSOLE, REMOVABLE, ASSEMBLY (EG4.81.2867) (EG4.81.2877) Spares for:-	1	-	GA17A/1
EB6.80.4725		. . . . BLOCK, fuse (Make from Ref. 5X/3271)	1	-	GA17A/2
EB7.81.705		. . . . BLOCK, fuse (Make from Ref. 5X/3271) Attaching parts for EB6.80.4725 and EB7.81.705:-	1	-	GA17A/3
A31B8		. . . . Screw, 4BA	2	-	GA17A/4
AGS2035B		. . . . Washer	2	-	GA17A/5
703-1-00238		. . . . BLOCK, terminal, 5-way Attaching parts for 703-1-00238:-	2	-	GA17A/6
AGS2001B1		. . . . Nut, 4BA	2	-	GA17A/7
A32B40		. . . . Screw, 4BA	2	-	GA17A/8
AS2810/4/05		. . . . Tube, distance	2	L62	GA17A/9
SCC79471		. . . . BRACKET, assembly, mounting for control unit, type 705 (SRIM 3533) (Mod 4799) 18 SWG	1	L72	GA17A/10
EB6.80.8019		. . . . BRACKET, plug Attaching parts for EB6.80.8019:-	1	-	GA17A/11
A31B16		. . . . Screw, 4BA	6	-	GA17A/12
EA9.81.3375		. . . . BRACKET, switch, assembly, bomb doors Attaching parts for EA9.81.3375:-	1	-	GA17A/13
A33B12		. . . . Screw, 4BA	4	-	GA17A/14
AGS2035B		. . . . Washer	4	-	GA17A/15
EB7.80.75		. . . . COVER, FUSE, ASSEMBLY Spares for:-	1	-	GA17A/16
R EA1.81.542		. . . . . CARRIER, spare fuse, 8-way Attaching parts for EA1.81.542:-	1	-	GA17A/17
AGS2002A1		. . . . . Nut, 6BA	2	-	GA17A/18
A31A10		. . . . . Screw, 6BA Attaching parts for EB7.80.75:-	2	-	GA17A/19
ODDIE					
213		. . . . Stud	2	-	GA17A/20
214		. . . . Washer	2	-	GA17A/21
R 10H/21797		. . . . FUSE, Link, 2.5 amp	3	-	GA17A/22
R 10H/4709560		. . . . FUSE, Link 5 amp	8	-	GA17A/23
R 10H/4709561		. . . . FUSE, Link 10 amp	3	-	GA17A/24
R 10H/4709562		. . . . FUSE, Link 20 amp	2	-	GA17A/25
R 10H/2073169		. . . . HOLDER, fuse	3	-	GA17A/26
R DN1245Z Mk. 1		. . . . INDICATOR, electro magnetic	1	-	GA17A/27

EQUIPMENT, AIRCRAFT  
PRESSURE CABIN EQUIPMENT

Part Number	Description	No. Off	Mati. Spec.	Plate No.
EA3.81.787	. . . . KNOB, switch, aileron trim (Pre-Mod 5100) Attaching parts for EA3.81.787:-	1	DTD683	GA17A/28
EA3.81.1089 or A55A4	. . . . Screw, grub, 6BA	1	S96	GA17A/29
EA3.81.2077	. . . . KNOB, switch, bomb doors Attaching parts for EA3.81.2077:-	1	-	GA17A/30
A31B28	. . . . Screw, 4BA	1	-	GA17A/31
AGS2035B	. . . . Washer, shakeproof	1	-	GA17A/32
EG4.80.481	. . . . PANEL, console, switch, engraved (Mod 4003)	1	-	GA17A/33
EG4.81.3215	. . . . PLATE, switch, engraved (Alt. R60/61-Mod 5100)	1	L73	
508-1-06394	. . . . PLUG, (Mod 3879)	1	-	GA17A/34
508-1-06413	. . . . PLUG, (Mod 3879)	3	-	GA17A/35
2CZ85945	. . . . PLUG	1	-	GA17A/36
AS10512M-1	. . . . SHROUD, terminal (Alt. R60/61-Mod 5100)	8	-	
AS10512M-2	. . . . SHROUD, terminal (Alt. R60/61-Mod 5100)	2	-	
EEAS146/6	. . . . SLEEVE, 3/4" long	8	-	
5CW/6453	. . . . SWITCH, magnetic relay, type 9B, No. 2 Attaching parts for Ref. 5CW/6453:-	1	-	GA17A/37
AGS2002B1	. . . . Nut, 4BA	2	-	GA17A/38
A32B24	. . . . Screw, 4BA	2	-	GA17A/39
AS2810/4/020	. . . . Tube, distance	2	L62	GA17A/40
SP13B	. . . . Washer	2	-	GA17A/41
EA9.81.3379	. . . . SWITCH, ASSEMBLY, BOMB DOORS Spares for:-	1	-	GA17A/42
ROTAX D10001	. . . . SWITCH, type 8B, No. 1	1	-	GA17A/43
EA3.81.2073	. . . . TOGGLE	1	-	GA17A/44
EA3.81.6375	. . . . SWITCH, ASSEMBLY, RUDDER TRIM (MOD 4009) (PRE-MOD 5100) Spares for:-	1	-	GA17A/45
EA4.81.6801	. . . . KNOB, switch	1	-	GA17A/46
XD800	. . . . SWITCH	1	-	GA17A/47
DP1003	. . . . WASHER, crinkle Attaching parts for EA3.81.6375:-	6	-	GA17A/48
A32B10	. . . . Screw, 4BA	4	-	GA17A/49
AGS2035B	. . . . Washer, shakeproof	4	-	GA17A/50

AP101B-0415-3A

Page GA.29

EQUIPMENT, AIRCRAFT  
PRESSURE CABIN EQUIPMENT

Part Number	Description 1 2 3 4 5 6	No. Off	Mati. Spec.	Plate No.
EK5.81.923	. . . SWITCH, ASSEMBLY, RUDDER TRIM (Alt. R60/61-Mod 5100) Spares for :-	2	-	
DN1260Z74	. . . . CAP, dolly	1	-	
1260Z165	. . . . KNOB	1	-	
A35Z24	. . . . Attaching parts for 1260Z165 :- Screw, 8BA	1	-	
AS10512A-1 ROTAX D10001	. . . . SWITCH	1	-	
or AS10512E-1 5CW7539	. . . SWITCH, type 88, No. 1 landing lights	1	-	GA17A/51
or EK5.81.927	. . . SWITCH, 3-way (Alt. R60/61-Mod 5100)	1	-	
	. . . SWITCH, S.P.C.O. S.R. aileron trim	1	-	GA17A/52
	. . . SWITCH, assembly, aileron trim (Alt. R60/61-Mod 5100) Spares for :-	1	-	
DN1260Z74	. . . . CAP, dolly	1	-	
1260Z163	. . . . KNOB	1	-	
A35Z28	. . . . Attaching parts for 1260Z163 :- Screw, 8BA	1	-	
AS10512A-1 5CW6429	. . . . SWITCH	1	-	
	. . . SWITCH, identification steady, external lights master, navigation and taxying lights, gunsight master	5	-	GA17A/53
or AS10512A-2	. . . SWITCH, identification steady, navigation and taxying lights (Alt. R60/61-Mod 5100)	3	-	
AS10512C-1	. . . SWITCH, external lights master (Alt. R60/61-Mod 5100)	1	-	
5CW1047692 or AS10512A-6	. . . SWITCH, identification morse	1	-	GA17A/54
	. . . SWITCH, (Alt. R60/61-Mod 5100) Attaching parts for switches (Pre-Mod 5100) :-	1	-	
A32B16	. . . Screw, 4BA	2	-	GA17A/55
EEAS28/2HP	. . . Washer	2	-	GA17A/56
AGS2035B	. . . Washer, shakeproof	2	-	GA17A/57
5CW1047693 or AS10512A-2	. . . SWITCH, S.P., anti collision	1	-	GA17A/58
	. . . SWITCH, (Alt. R60/61-Mod 5100)	1	-	
	. . . TENATUBE, 2mm i/d x 1mm wall	QR	-	
	. . . Attaching parts for EG4.80.1413 :-			
A25/2C	. . Bolt, 2BA	12	-	GA17A/59
SP13C	. . Washer	12	-	GA17A/60

EQUIPMENT, AIRCRAFT  
PRESSURE CABIN EQUIPMENT

Part Number	Description	No. Off	Mati. Spec.	Plate No.
EB7.80.497 EG4.80.1313	. . . SNUB, pilot's instrument panel buffer . . . PANEL, PILOT'S COAMING INSTALLATION Spares for :-	4 -	- -	GA23/1
6A4695406	. . . ACCELEROMETER Mk. 2 Attaching parts for Ref. 6A/4695406 :-	1	-	GA23/2
AGS2001B4	. . . Nut, 4BA	3	-	GA23/3
A44B16	. . . Screw, 4BA	3	-	GA23/4
SP25B	. . . Washer	3	-	GA23/5
EB6.81.5157	. . . ANGLE, assembly, for outboard end of switch panel, attachment to coaming tube Attaching parts for EB6.81.5157 :-	1	-	GA23/6
EB6.81.5155 SR X 1/2"	. . . Pad, stress . . . Screw, self tapping	1 1	L72 -	GA23/7 GA23/8
KELVIN HUGHES KCA0104W	. . . COMPASS, type E2B Attaching parts for KCA0104W :-	1	-	GA23/9
A39B12	. . . Screw, 4BA	2	-	GA23/10
EG4.80.1405	. . . PANEL, COAMING, PORT, ASSEMBLY Attaching parts for EG4.80.1405 :-	-	-	GA23/11
AS4566/1C	. . . Bolt, 2BA	4	-	GA23/12
EG4.80.1407	. . . PANEL, COAMING, STARBOARD, ASSEMBLY Spares for :-	-	-	GA23/13
5L9959118	. . . FILAMENT, 28V, 0.04 amp	2	-	GA23/14
PAGE ENG. C500C7	. . . LAMP, warning, amber, HF tune	1	-	GA23/15
C500B7	. . . LAMP, warning, green, HF operate	1	-	GA23/16
SCD78603	. . . PANEL, ENGRAVED, ASSEMBLY Spares for :-	1	-	GA23/17
DZUS PRC3 1/2	. . . FASTENER, receptacle	8	-	GA23/18
AS10512M-1	. . . SHROUD, terminal (Alt. R60/61-Mod 5100)	2	-	
SCB78699	. . . SHROUD, assembly, control boxes Attaching parts for SCB78699 :-	2	-	GA23/19
AGS2001B1	. . . Nut, 4BA	2	-	GA23/20
A31B18	. . . Screw, 4BA	2	-	GA23/21
SP13B	. . . Washer	2	-	GA23/22
NSF8810B104 or AS10612B-2 AS10612A-2	. . . SWITCH, intercom. and amplifier . . . SWITCH, intercom. (Alt. R60/61-Mod 5100) . . . SWITCH, amplifier (Alt. R60/61-Mod 5100) Attaching parts for EG4.80.1407 :-	2 1 1	- - -	GA23/23
R AS124B/1C	. . . Bolt, 2BA	4	-	GA23/25

AP101B-0415-3A

EQUIPMENT, AIRCRAFT  
PRESSURE CABIN EQUIPMENT

Part Number	1 2 3 4 5 6	Description	No. Off	Matl. Spec.	Plate No.
EG4.80.1409	. . .	PANEL, COAMING, LIGHT SWITCH, ASSEMBLY Spares for :-	-	-	GA 23/28
SCC79890	. . . .	BLOCK, TERMINAL, ASSEMBLY Spares for :-	1	-	GA 23/29
703/1/00232	. . . . .	BLOCK, terminal, 3-way	1	-	GA 23/30
SCC79890/1	. . . . .	BRACKET, 18 SWG	1	L72	GA 23/31
CZ26802	. . . . .	COVER	1	-	GA 23/32
Z28426	. . . . .	PILLAR, fixing	2	-	GA 23/33
AGS2001B1	. . . . .	Attaching parts for SCC79890 :-			
A33B12	. . . . .	Nut, 4BA	2	-	GA 23/34
SP138	. . . . .	Screw, 4BA	2	-	GA 23/35
	. . . . .	Washer	2	-	GA 23/36
SP93A8	. . . . .	GROMMET	4	-	GA 23/37
SCC79306	. . . . .	PANEL, engraved	1	L72	GA 23/38
AS10512L1	. . . . .	PLATE, adaptor (Ait. R60/61-Mod 5100)	1	-	
AS10512M-1	. . . . .	SHROUD, terminal (Ait. R60/61-Mod 5100)	2	-	
NSF8396B114	. . . . .	SWITCH, emergency lights	1	-	GA 23/39
or					
AS10512B-2	. . . . .	SWITCH, (Ait. R60/61-Mod 5100)	1	-	
D5431/1	. . . . .	SWITCH, anti-dazzle lights (Pre-Mod 5100) Attaching parts for D5431/1 or AS10512B-2 :-	1	-	GA 23/40
A31B16	. . . . .	Screw, 4BA, cheese head	2	-	GA 23/41
SP10B	. . . . .	Washer, 4BA	2	-	GA 23/42
EK5.81.929	. . . . .	SWITCH, ASSEMBLY, ANTI-DAZZLE LIGHTS (Ait. R60/61-MOD 5100) SPARES FOR :-	1	-	
DN1260Z-74	. . . . .	CAP, dolly	1	-	
1260Z-164	. . . . .	KNOB	1	-	
AS10512A4	. . . . .	SWITCH	1	-	
5CW4405516	. . . . .	SWITCH, dimmer, type R, HF. UA60 and PTR175	2	-	GA 23/43
5CW4405514	. . . . .	SWITCH, dimmer, type R, port UV	1	-	GA 23/44
5CW4405521	. . . . .	SWITCH, dimmer, type R, port red	1	-	GA 23/45
5CW5767	. . . . .	SWITCH, dimmer, type R, E2B	1	-	GA 23/46
5CW4405519	. . . . .	SWITCH, dimmer, type R, starboard UV	1	-	GA 23/47
5CW4405520	. . . . .	SWITCH, dimmer, type R, starboard red	1	-	GA 23/48
A32A20	. . . . .	Attaching parts for dimmer switches :-			
SAUNDERS	. . . . .	Screw, 6BA	3	-	GA 23/49
ROE LTD.					
MH33-670	. . . . .	STRIP, Flourescent Beta light (0.4" long X 0.1" wide ) Attaching parts for EG4.80.1409 :-	QR	-	
AS1248/1C	. . . . .	Bolt, 2BA	4	-	GA 23/50
D7617Y	. . . . .	SHROUD (SAS 4770)	1	-	GA 23/52

R

EQUIPMENT, AIRCRAFT  
PRESSURE CABIN EQUIPMENT

Part Number	Description	No. Off	Matl. Spec.	Plate No.	1 2 3 4 5 6					
EG4.80.1411	STRUCTURE, COAMING PANEL, GROUP (Ref. Drg. EB6.80.3509) Spares for :-	-	-	GA24/1						
EB6.80.4377	ANGLE, attachment along edge of blast shield	1	L72	GA24/2						
EB6.80.5667	ANGLE, assembly, No.1, inboard, between attachment plate on coaming tube and diaphragm	1	S521	GA24/3						
EB6.80.5669	ANGLE, assembly, No. 2, from inboard, between attachment plate on coaming tube and diaphragm	1	S521	GA24/4						
EB6.80.5673	ANGLE, assembly, from No. 4, from inboard, between attachment plate on coaming tube and diaphragm	1	S521	GA24/5						
EB6.80.3493	CLEAT, No. 1, inboard, between blast shield and diaphragm	1	L72	GA24/6						
EB6.80.3645	CLEAT, No. 2 from inboard, between blast shield and diaphragm	1	L72	GA24/7						
or EG4.80.387	CLEAT, No. 2, from inboard, between blast shield and diaphragm	1	L72							
EB6.80.4373	CLEAT, No. 4, from inboard, between blast shield and diaphragm	1	L72	GA24/8						
or EG5.80.235	CLEAT, No. 4, inboard, between blast shield and diaphragm	1	L72							
SCC78604	DIAPHRAGM, No. 1, inboard, 18 SWG	1	L72	GA24/9						
SCC78605	DIAPHRAGM, No. 2, from inboard 18 SWG Attaching parts for SCC78604 or SCC78605 :-	1	L72	GA24/10						
A26/1B	Bolt, 4BA	9	-	GA24/11						
AGS2001B2	Nut, 4BA	9	-	GA24/12						
SP15B	Washer	9	-	GA24/13						
EB6.80.3547	DIAPHRAGM, No. 4, from inboard	1	L72	GA24/14						
or EG5.80.223	DIAPHRAGM, No. 4, from inboard	1	-							
or SCC79260	DIAPHRAGM, No. 4, from inboard 18 SWG Attaching parts for No. 4 diaphragm :-	1	L72							
A26/1B	Bolt, 4BA	7	-	GA24/15						
AGS2001B2	Nut, 4BA	7	-	GA24/16						
SP15C	Washer	7	-	GA24/17						
EB6.80.5661	PLATE, attachment, inboard, on coaming tube for angle assembly No. 1	1	L72	GA24/18						
EB6.80.5663	PLATE, attachment, centre, on coaming tube for angle assembly No. 2	1	L72	GA24/19						
EB6.80.5665	PLATE, attachment, outboard, on coaming tube for angle assembly No. 4	1	L72	GA24/20						
NSF8830-B105	SWITCH, wing tank jettison (Pre-Mod 5023)	1	-	GA23/51						
DOWTY	SWITCH, wing tank jettison (Mod 5023)	1	-							
AS10512D-3	SWITCH, push (SAS 4770)	1	-	GA23/52						
C5162Y	Attaching parts for C5162Y :-									
A53Z	Nut (SAS 4770)	2	-	GA23/53						
A43Z12	Screw	2	-	GA23/54						
AGS2037AA	Washer, shakeproof	2	-	GA23/55						

R

R

R

AP101B-0415-3A

EQUIPMENT, AIRCRAFT  
PRESSURE CABIN EQUIPMENT

Part Number	Description	No. Off	Mati. Spec.	Plate No.
EG4.80.1353	. SEATING IN PRESSURE CABIN Spares for :-	-	-	
SCB79640	. . BLOCK, distance, pipe (Make from Ref. 5F/2933) Attaching parts for SCB79640 :-	1	-	GA18/2
A25/8C	. . Bolt, 2BA	2	-	GA18/3
AGS2001C1-66	. . Nut, 2BA	2	-	GA18/4
SP15C	. . Washer	2	-	GA18/5
EA2.80.5143	. . BRACKET, AND LINES, LEG RESTRAINT, PILOT'S GROUP Spares for :-	-	-	
EG5.80.157	. . . BRACKET, LEG RESTRAINT, INSTALLATION Spares for :-	-	-	
MARTIN BAKER MBEU3666	. . . . BRACKET, floor Attaching parts for MBEU3666 :-	2	-	GA18/7
A25/9C	. . . . Bolt, 2BA	4	-	GA18/8
EG5.80.159	. . . . CHANNEL, assembly, outboard	1	-	GA18/9
EG5.80.165	. . . . CHANNEL, assembly, inboard	1	-	GA18/10
MARTIN BAKER B/MBEU17353	. . . . LINE, leg restraint	2	-	GA18/11
MBEU8921	. . . . PIN, QR	2	-	GA18/12
EA3.80.2869	. . BRACKET, AND LINES, LEG RESTRAINT, REAR CREW MEMBERS, INSTALLATION Spares for :-	-	-	
EA3.80.2887	. . . BRACKET, SHEAR PIN, INSTALLATION Spares for :-	-	-	
EA3.80.2859	. . . . BRACKET, SHEAR PIN, BOMB AIMER'S ASSEMBLY Spares for :-	-	-	
MARTIN BAKER A/MBEU3666	. . . . . BRACKET, floor Attaching parts for A/MBEU3666 :-	2	-	GA18/13
A25/3C	. . . . . Bolt, 2BA	4	-	GA18/13A
EA3.80.2889	. . . . . BRACKET, SHEAR PIN, NAVIGATOR'S ASSEMBLY Spares for :-	-	-	
MARTIN BAKER A/MBEU3666	. . . . . BRACKET, floor Attaching parts for A/MBEU3666 :-	2	-	GA18/14
A25/7C	. . . . . Bolt, 2BA	4	-	GA18/14A
AGS2001C1/66	. . . . . Nut, 2BA	4	-	GA18/14B
SP13C	. . . . . Washer, 2BA	4	-	GA18/14C
AS2809/4/060	. . . . . TUBE, distance	2	-	GA18/15
MARTIN BAKER B/MBEU17353	. . . . . LINE, leg restraint	4	-	GA18/15A
MARTIN BAKER MBEU18921	. . . . PIN, QR	4	-	GA18/15B
EG5.80.181	. . BRACKET, pipe clamp Attaching parts for EG5.80.181 :-	1	-	GA18/16
A25/1B	. . Bolt, 4BA	2	-	GA18/17
AGS2001B1	. . Nut, 4BA	2	-	GA18/18
SP13B	. . Washer	2	-	GA18/19

EQUIPMENT, AIRCRAFT  
PRESSURE CABIN EQUIPMENT

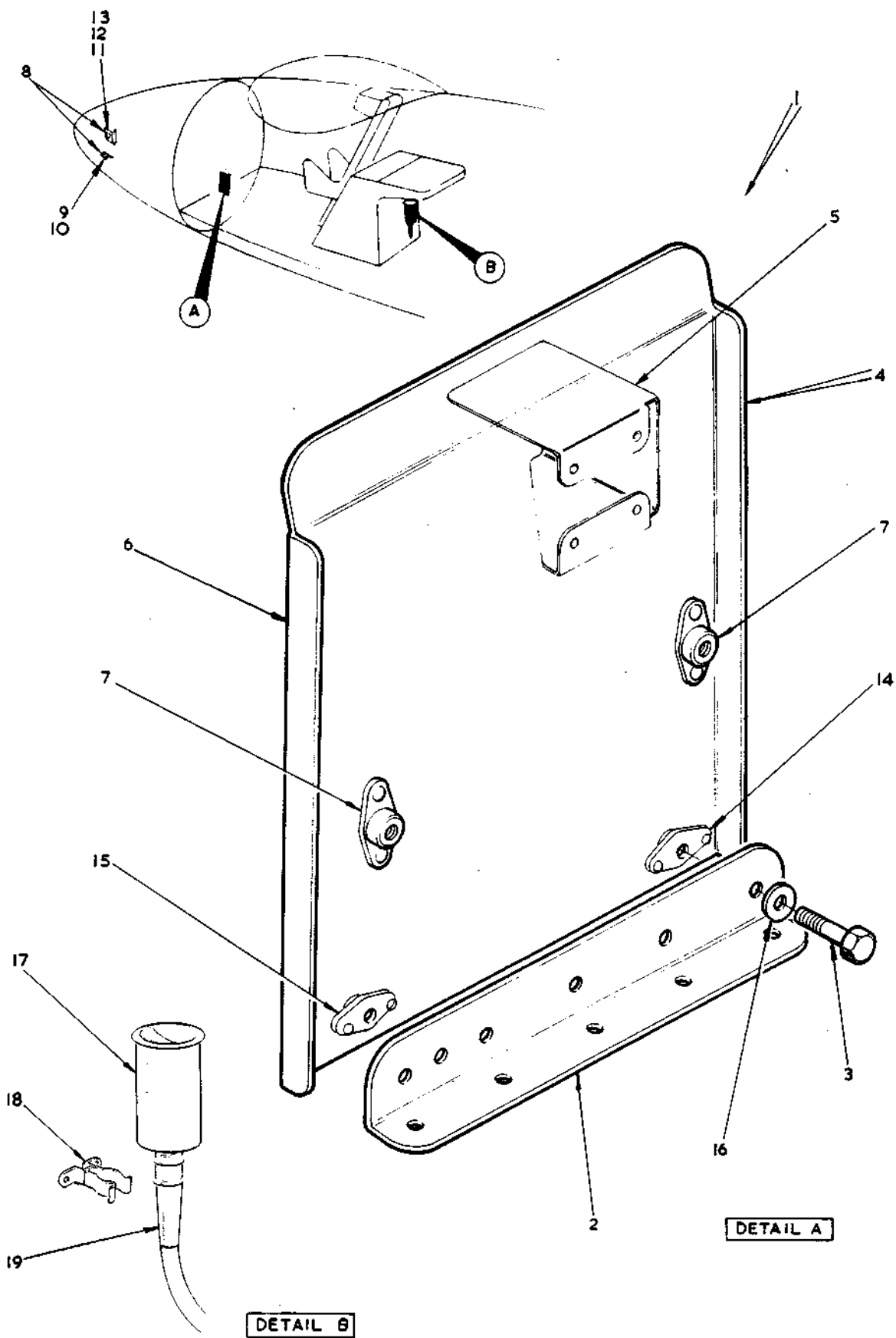
Part Number	Description	No. Off	Mati. Spec.	Plate No.	
					1
-	. . BRACKETS, TRIP. ROD, REAR CREW MEMBERS, SEATS, INSTALLATION (EB6.80.5947) (EB6.80.5949) Spares for :-	-	-		
EB6.80.5951	. . . BRACKET	2	L65	GA 18/20	
EB6.80.5955	. . . BRACKET	6	L65	GA 18/21	
EB6.80.25	. . BRACKET, top, pilot's seat rail attachment	1	S95	GA 18/22	
EB6.80.26	. . BRACKET, top, pilot's seat rail attachment Attaching parts for EB6.80.25 or EB6.80.26 :-	1	S95	GA 18/23	
A25/5G	. . Bolt, 5/16" BSF	1	-	GA 18/23A	
EB6.80.27	. . Bolt, special, 2BA	2	S97	GA 18/24	
A27CP	. . Nut, 2BA	2	-	GA 18/25	
EB6.80.29	. . Packing, fillet	2	L72	GA 18/26	
†	. . CARTRIDGE, No. 13 Mk. 1	3	-	GA 18/27	
EG5.80.177	. . CLAMP, PIPE, ASSEMBLY Spares for :-	1	-	GA 18/28	
EG5.80.179	. . . CLAMP, half Attaching parts for EG5.80.179 :-	2	-	GA 18/29	
A25/10B	. . . Bolt, 4BA	2	-	GA 18/30	
AGS2001B1	. . . Nut, 2BA	2	-	GA 18/31	
SP13B	. . . Washer	2	-	GA 18/32	
SCD79620	. . CLAMP, PIPE, AT PILOT'S CONSOLE, INSTALLATION Spares for :-	-	-	GA 21/1	
SCD79620/2	. . . BRACKET, 18 SWG	1	L72	GA 21/2	
SCD79620/5	. . . CLAMP, 18 SWG	1	L72	GA 21/3	
SCD79620/4	. . . FAIRLEAD, half (Make from Ref. 5F/9400956) Attaching parts for SCD79620/5 and SCD79620/4 :-	-	-	GA 21/4	
A25/13B	. . . Bolt, 4BA	2	-	GA 21/5	
SP13B	. . . Washer	2	-	GA 21/6	
AS4525/8C	. . CLIP, pipe Attaching parts for AS4525/8C :-	4	-	GA 18/33	
A25/1C	. . Bolt, 2BA	QR	-	GA 18/34	
A25/3C	. . Bolt	QR	-	GA 18/35	
AGS2001C-66	. . Nut, 2BA	1	-	GA 18/36	
AS2306-625	. . Piece, distance	QR	-	GA 18/37	
EEAS239/1A	. . Washer, 'D'	QR	-	GA 18/38	
SP15C	. . Washer	QR	-	GA 18/39	
MARTIN BAKER					
MBEU34679	. . GUN, type 10, Mk. 1	3	-	GA 18/40	
AS3360B5C	. . LEAD, bonding	1	-	GA 18/41	
27C4486105	. . PACK, personal survival, type M, Mk. 2	3	-	GA 21/7	
15A4177654	. . PARACHUTE, type S, Mk. 18	3	-	GA 21/8	
MARTIN BAKER					
MBCJ1983/2	. . PIPE, assembly, from combined time release breach unit to coupling	1	-	GA 21/9	
MBCJ1984/1	. . PIPE, assembly, intermediate	1	-	GA 21/10	
MARTIN BAKER					
MBCJ1765	. . PIPE, assembly, from coupling to snatch unit	1	-	GA 21/11	
SCC79604	. . PLATE, cover, at pilot's console 18 SWG	1	L72	GA 21/12	

AP1018-0415-3A		EQUIPMENT, AIRCRAFT PRESSURE CABIN EQUIPMENT			Page GA.35					
Part Number	Description	No. Off						Matl. Spec.	Plate No.	
		1	2	3	4	5	6			
MARTIN BAKER MBEU1964EE	RAIL, guide, second navigator's Attaching parts for MBEU1964EE :-							1	-	GA21/13
A25/4E	Bolt, 1/4" BSF							9	-	GA21/14
A25/5E	Bolt, 1/4" BSF							8	-	GA21/15
A25/6E	Bolt, 1/4" BSF							3	-	GA21/16
A25/9G	Bolt, 5/16" BSF							2	-	GA21/17
A25/5L	Bolt, 7/16" BSF							5	-	GA21/18
AS1242/5E	Bolt, 1/4" BSF							1	-	GA21/19
AGS2001E1/77	Nut, 1/4" BSF							21	-	GA21/20
AGS2001G1	Nut, 5/16" BSF							2	-	GA21/21
AGS2001L1	Nut, 7/16" BSF							5	-	GA21/22
EA3.10.2197	Packing, floor attachment							1	-	GA21/23
EA3.80.477	Packing, fillet							2	-	GA21/24
EA3.80.481	Packing, fillet							20	-	GA21/25
MARTIN BAKER MBEU1963EE	RAIL, guide, navigator's Attaching parts for MBEU/1963EE :-							1	-	GA21/26
A25/6E	Bolt, 1/4" BSF							9	-	GA21/16
A25/7E	Bolt, 1/4" BSF							10	-	GA21/27
A25/8E	Bolt, 1/4" BSF							1	-	GA21/28
A25/7G	Bolt, 5/16" BSF							4	-	GA21/29
A25/8G	Bolt, 5/16" BSF							1	-	GA21/30
A25/10G	Bolt, 5/16" BSF							2	-	GA21/31
A25/5L	Bolt, 7/16" BSF							5	-	GA21/18
AS1242/6E	Bolt, 1/4" BSF							1	-	GA21/32
AGS2001E1/66	Nut, 1/4" BSF							21	-	GA21/20
AGS2001G1	Nut, 5/16" BSF							7	-	GA21/21
AGS2001L1	Nut, 7/16" BSF							5	-	GA21/22
EA2.80.439	Packing							1	-	GA21/34
EA3.10.2197	Packing, floor, attachment							1	-	GA21/23
EA3.80.477	Packing, fillet							2	-	GA21/24
EA3.80.479	Packing, fillet							5	-	GA21/35
EA3.80.481	Packing, fillet							20	-	GA21/25
EA3.10.571	Shim, laminated, floor attachment							1	-	GA21/36
SP15E	Washer							20	-	GA21/37
SP15G	Washer							2	-	GA21/38
SP15L	Washer							5	-	GA21/39
SP16E	Washer							4	-	GA21/40
SP16G	Washer							4	-	GA21/41
MARTIN BAKER MBEU1902EE	RAIL, guide, pilot's Attaching parts for MBEU/1902EE :-							1	-	GA21/42
A25/5G	Bolt, 5/16" BSF							2	-	GA21/43
A25/5J	Bolt, 3/8" BSF							2	-	GA21/44
AGS2001G1	Nut, 5/16" BSF							2	-	GA21/21
AGS2001J1	Nut, 3/8" BSF							2	-	GA21/45
SP15J	Washer							2	-	GA21/46

R

EQUIPMENT, AIRCRAFT  
PRESSURE CABIN EQUIPMENT

Part Number	Description	No. Off	Matl. Spec.	Plate No.
MARTIN BAKER 27L1445204	. . SEAT, ejection, Mk. 2, type 2 CA1	1	—	GA21/47
27L1445203	. . SEAT, ejection, Mk. 3, type 2 CA2	2	—	GA21/48
MARTIN BAKER C76HC/MB	. . UNION, emerto	4	—	GA21/49
MARTIN BAKER MBCJ2587	. . UNIT, time release and breech (Mod 5244) Attaching parts for MBCJ/2587 :—	1	—	GA21/50
AS1242/13E	. . Bolt, 1/4" BSF csk. head	2	—	GA21/51
AS1242/17E	. . Bolt, 1/4" BSF csk. head	1	—	GA21/52
AGS2001E1/66	. . Nut, 1/4" BSF	3	—	GA21/53
SP13E	. . Washer, 1/4"	6	—	GA21/54
EG4.80.1421	. . STOWAGE, EJECTION SEAT PIN, INSTALLATION, PILOT'S Spares for :—	—	—	
EA3.80.6547	. . BLOCK, stowage, engraved Attaching parts for EA3.80.6547 :—	1	—	GA22/13
A25/7C	. . Bolt, 2BA	2	—	GA22/14
AGS2001C1	. . Nut, 2BA	2	—	GA22/15
SP15C	. . Washer	2	—	GA22/16
EA3.80.6173	. . CLIP, spring	1	—	GA22/17
—	. . STOWAGE, EJECTION SEAT PINS, REAR CREW MEMBERS, INSTALLATION (Ref. Dwgs. EG4.80.1359 and EG4.80.1360 :— Spares for :—	—	—	
—	. . BLOCK, stowage (For manufacture see Com/Mod/Canberra/0571/STC) Attaching parts for block :—	2	—	GA22/18
AS1242/6C	. . Bolt, 2BA	2	—	GA22/19
AGS2001C1	. . Nut, 2BA	2	—	GA22/20
SP15C	. . Washer	2	—	GA22/21
EG4.80.261	. . STOWAGE, FOR COCKING LEVERS (MOD 3777) Spares for :—	—	—	
EB6.80.6055	. . STOWAGE BOX, ASSEMBLY Spares for :—	1	—	GA19/32
EB6.80.6059	. . DOOR, assembly	1	—	GA19/33
EB6.80.6075	. . FELT, outer	1	—	GA19/34
EB6.80.6077	. . FELT, inner	1	—	GA19/35
A25/1C	. . Bolt, 2BA	7	—	GA19/36
AGS2001C1-66	. . Nut, 2BA	4	—	GA19/37
SP13C	. . Washer	4	—	GA19/38
EA3.80.6643	. . STOWAGE, FOR PILOT'S MAPS, GROUP (MOD 5061) Spares for :—	—	—	GA22/22
EA3.80.6655	. . STOWAGE, pilot's maps (Make from AS432, Ref. No. 25158)	1	—	GA22/23
EG4.80.1419	. . STOWAGE AND VISOR, NAVIGATOR'S, INSTALLATION (Pre-Mod 5512) Spares for :—	—	—	
EB6.80.1201	. . BOX, VISOR, ASSEMBLY (MOD 3147) Spares for :—	1	—	GA8/48
EB6.80.1269	. . HINGE (Make from Ref. 28N/9511950)	1	—	GA8/49
EB6.80.1275	. . SPRING	1	—	GA8/50
10AT4696936	. . VISOR, type 43	1	—	GA8/51



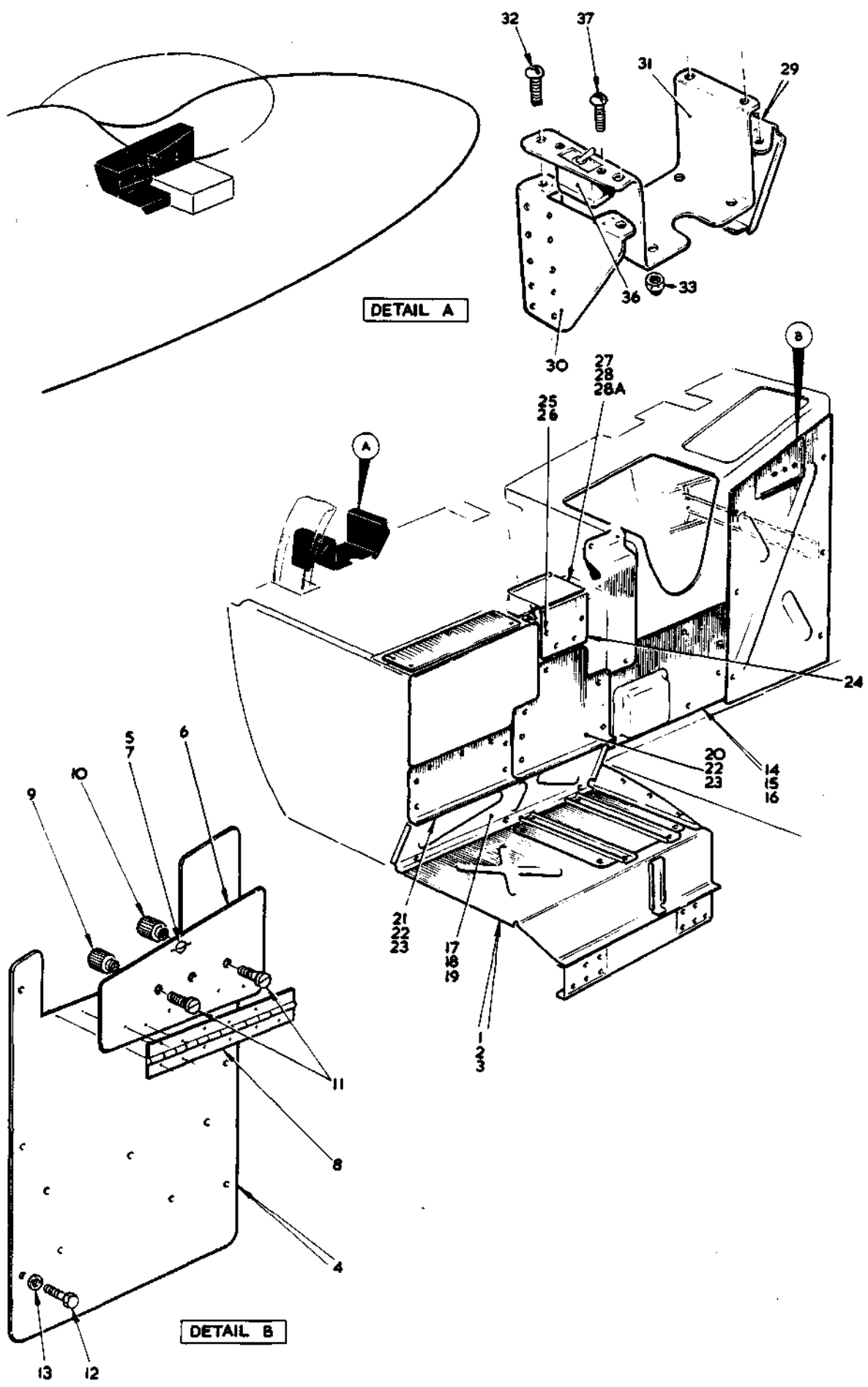


FIG. 2 PRESSURE CABIN EQUIPMENT

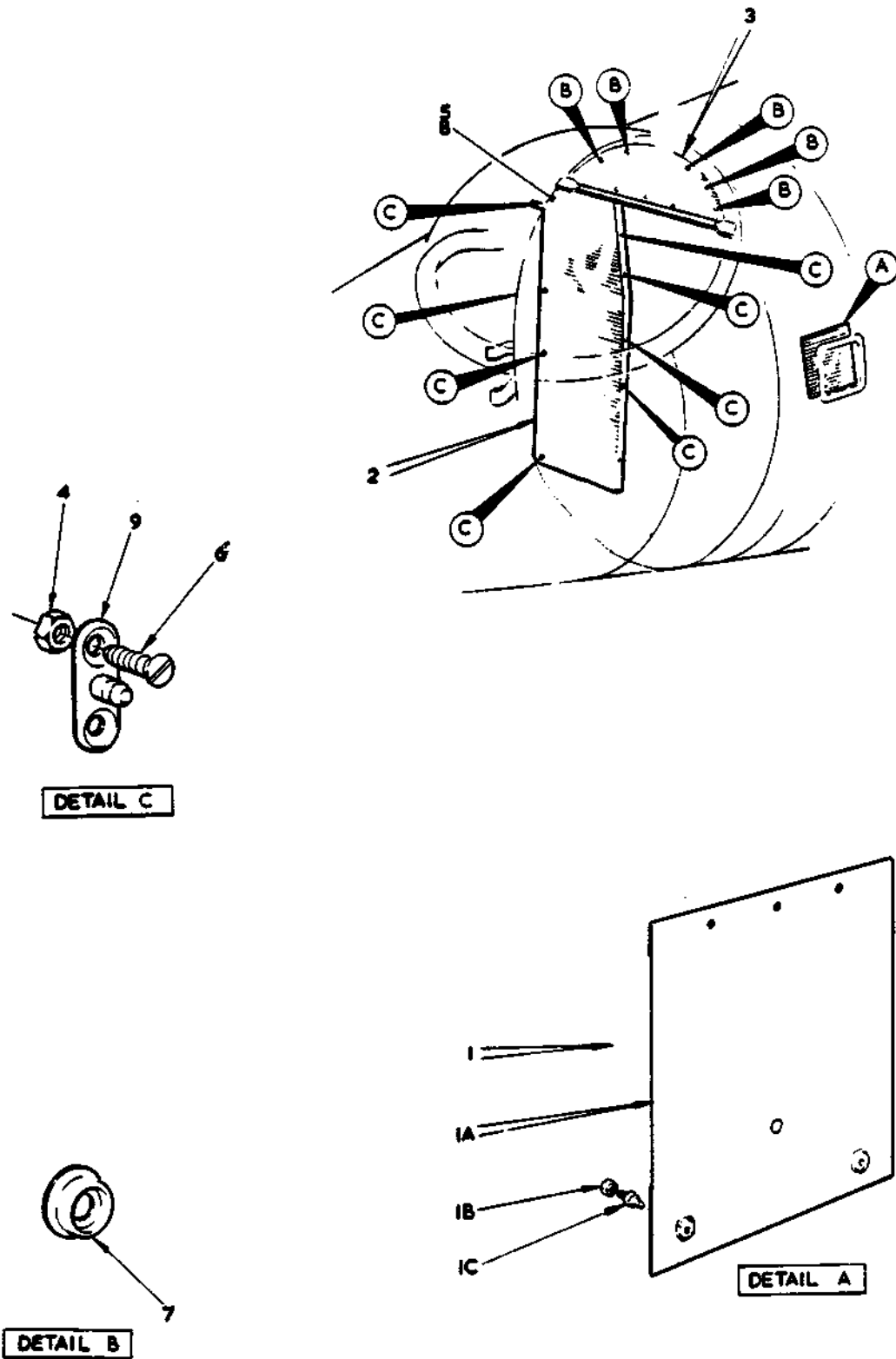


FIG. 3 PRESSURE CABIN EQUIPMENT

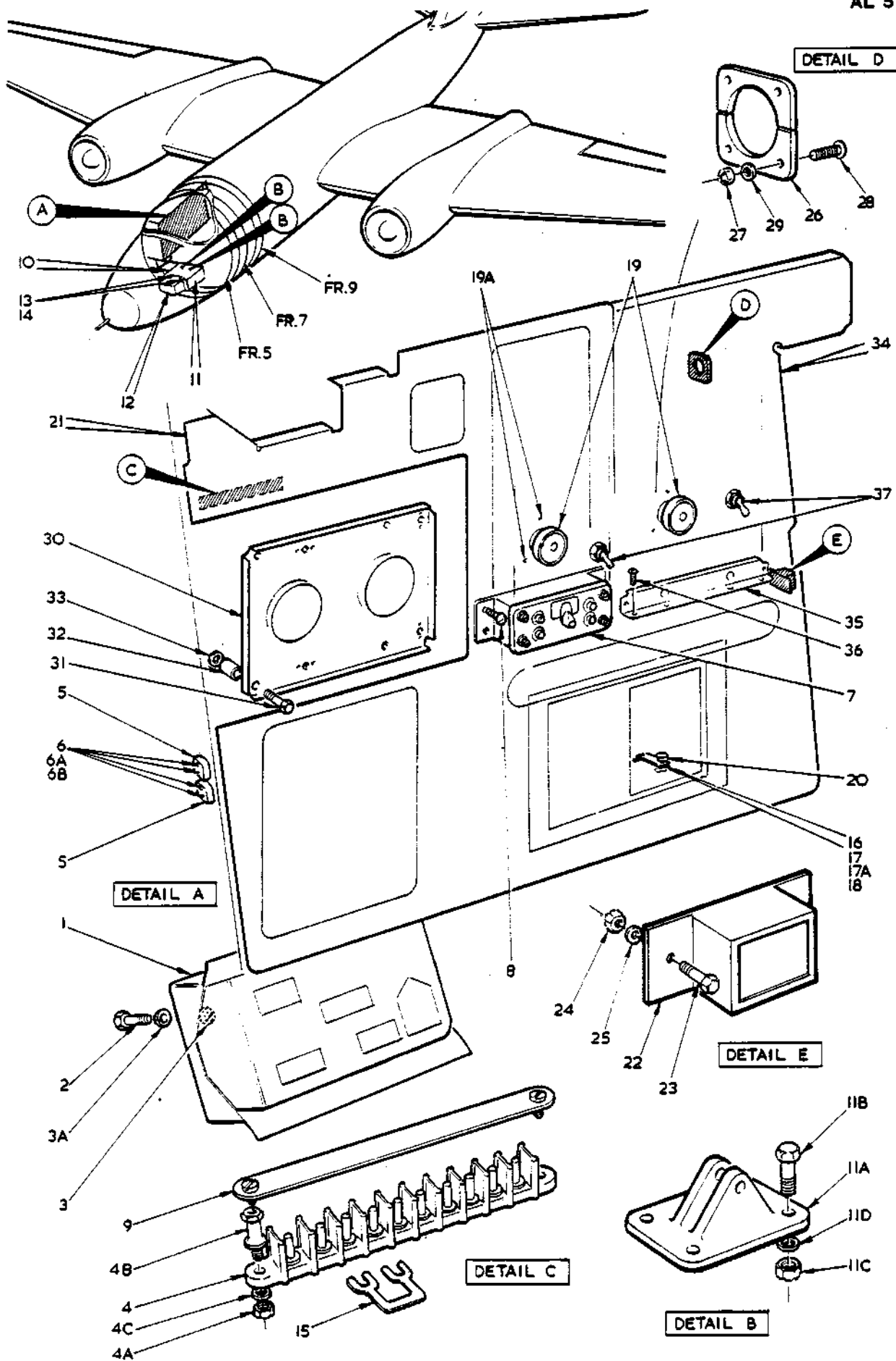


FIG 4 CABIN PRESSURE EQUIPMENT

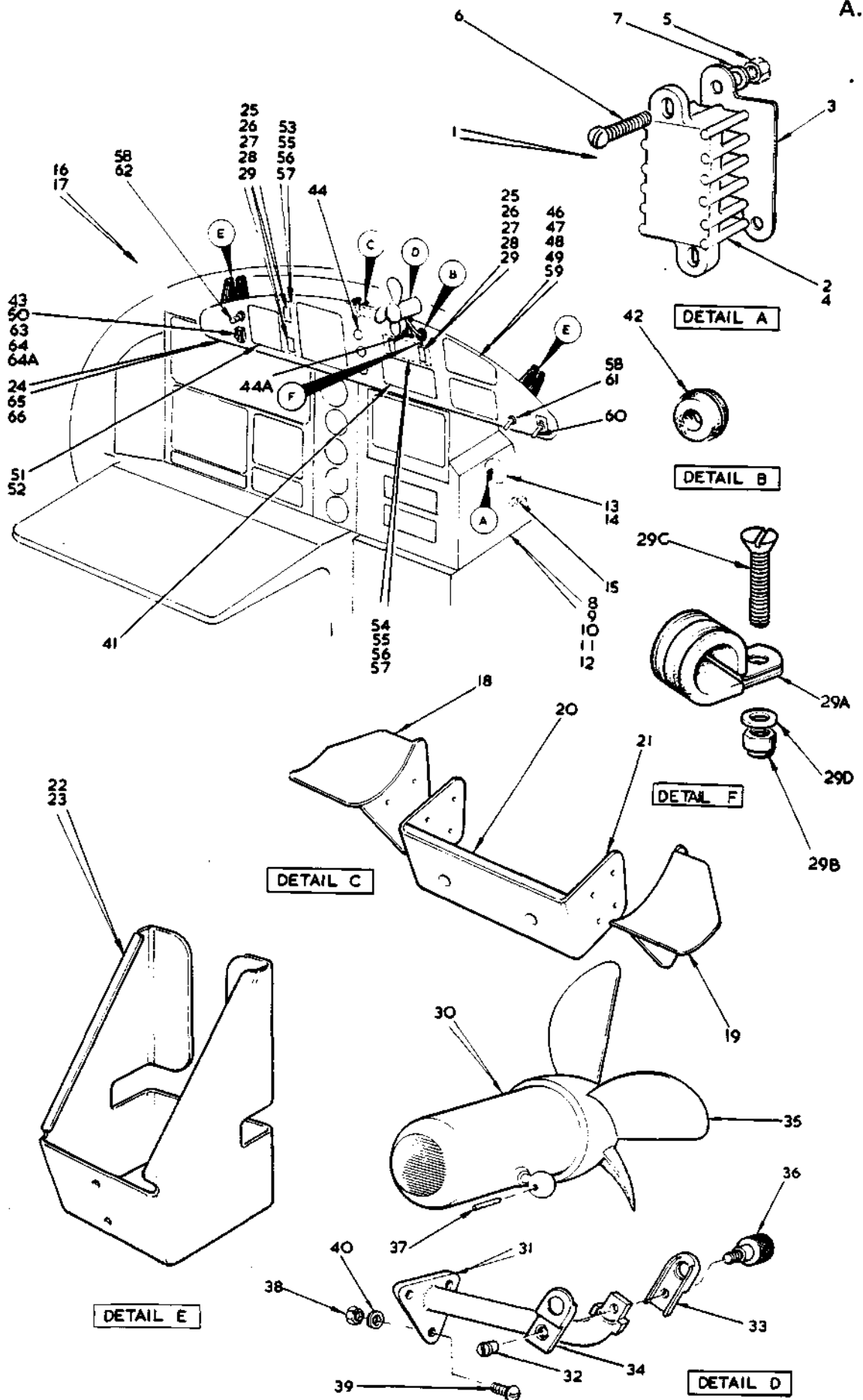


FIG. 5 PRESSURE CABIN EQUIPMENT

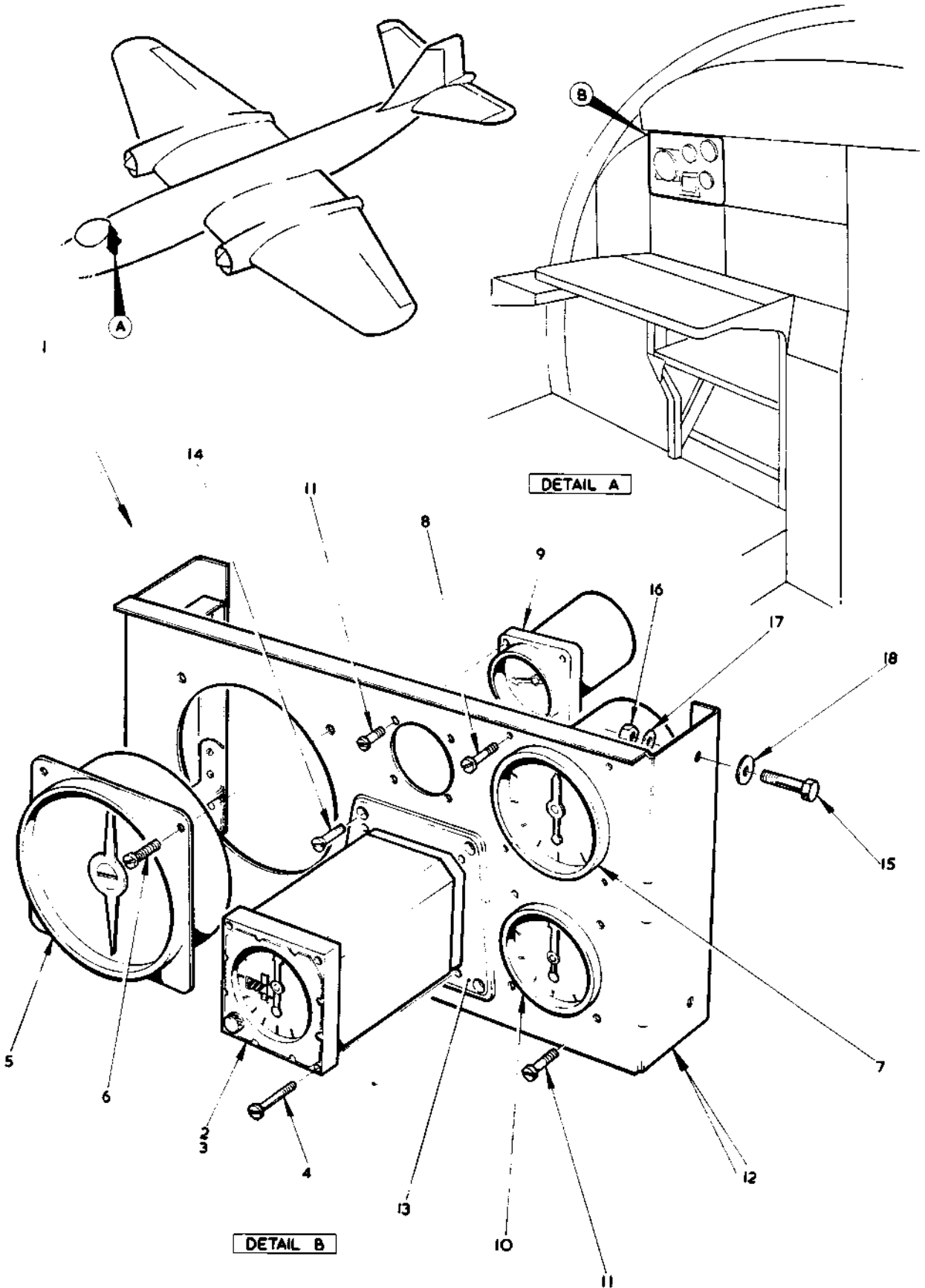


FIG 6 PRESSURE CABIN EQUIPMENT

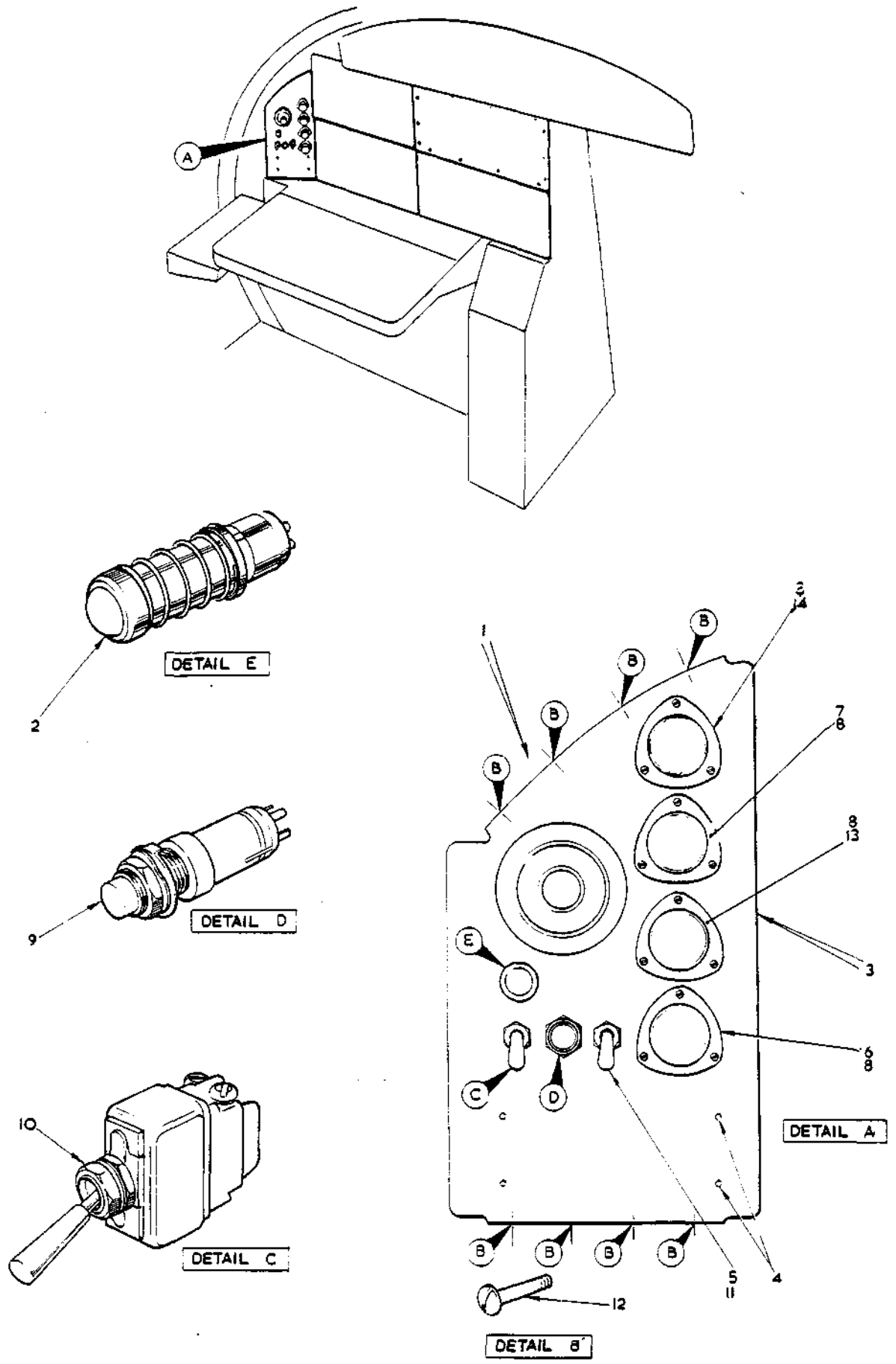


FIG. 7 PRESSURE CABIN EQUIPMENT

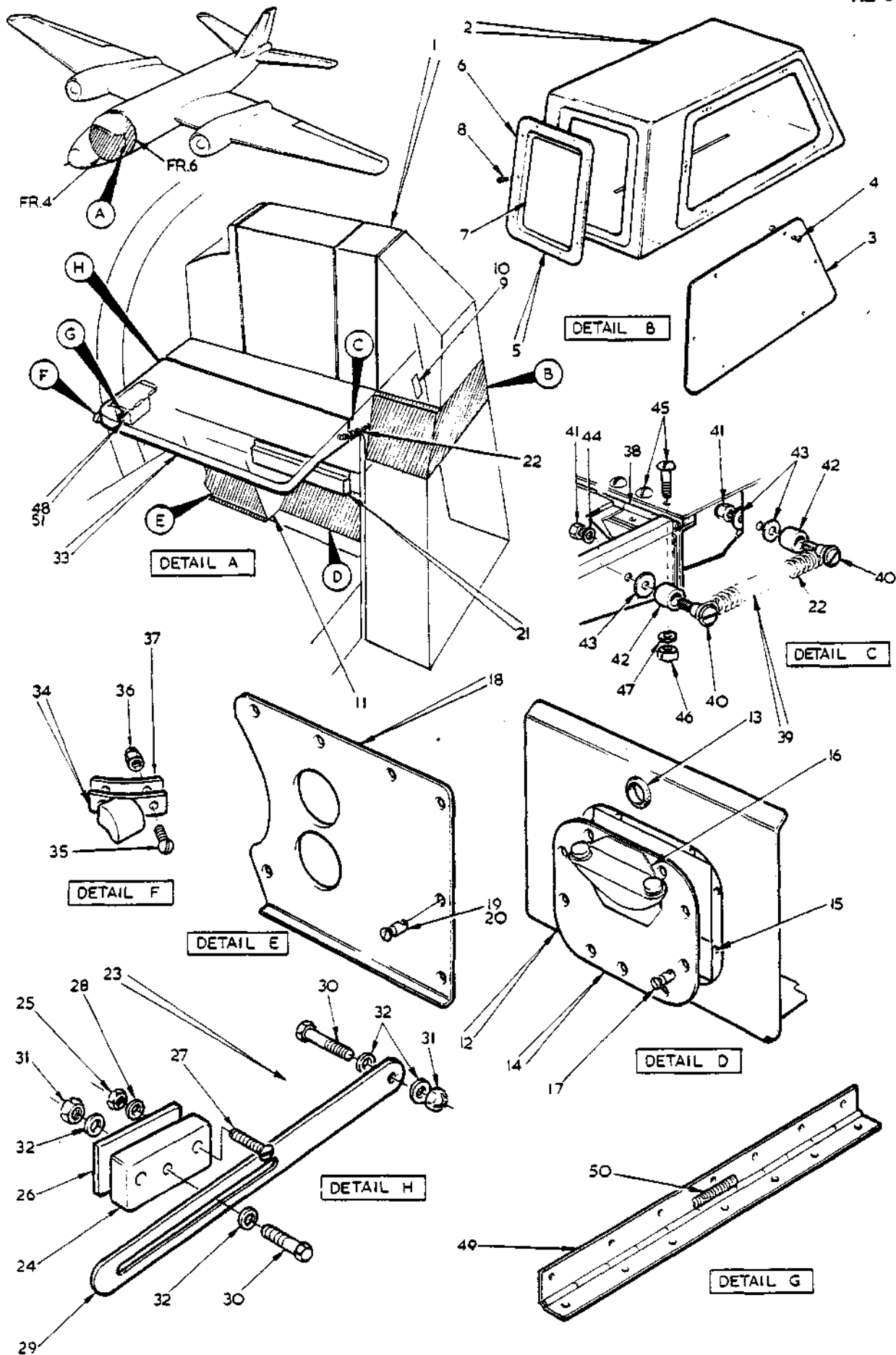


FIG 8 CABIN PRESSURE EQUIPMENT

CODE Z

SECT GA

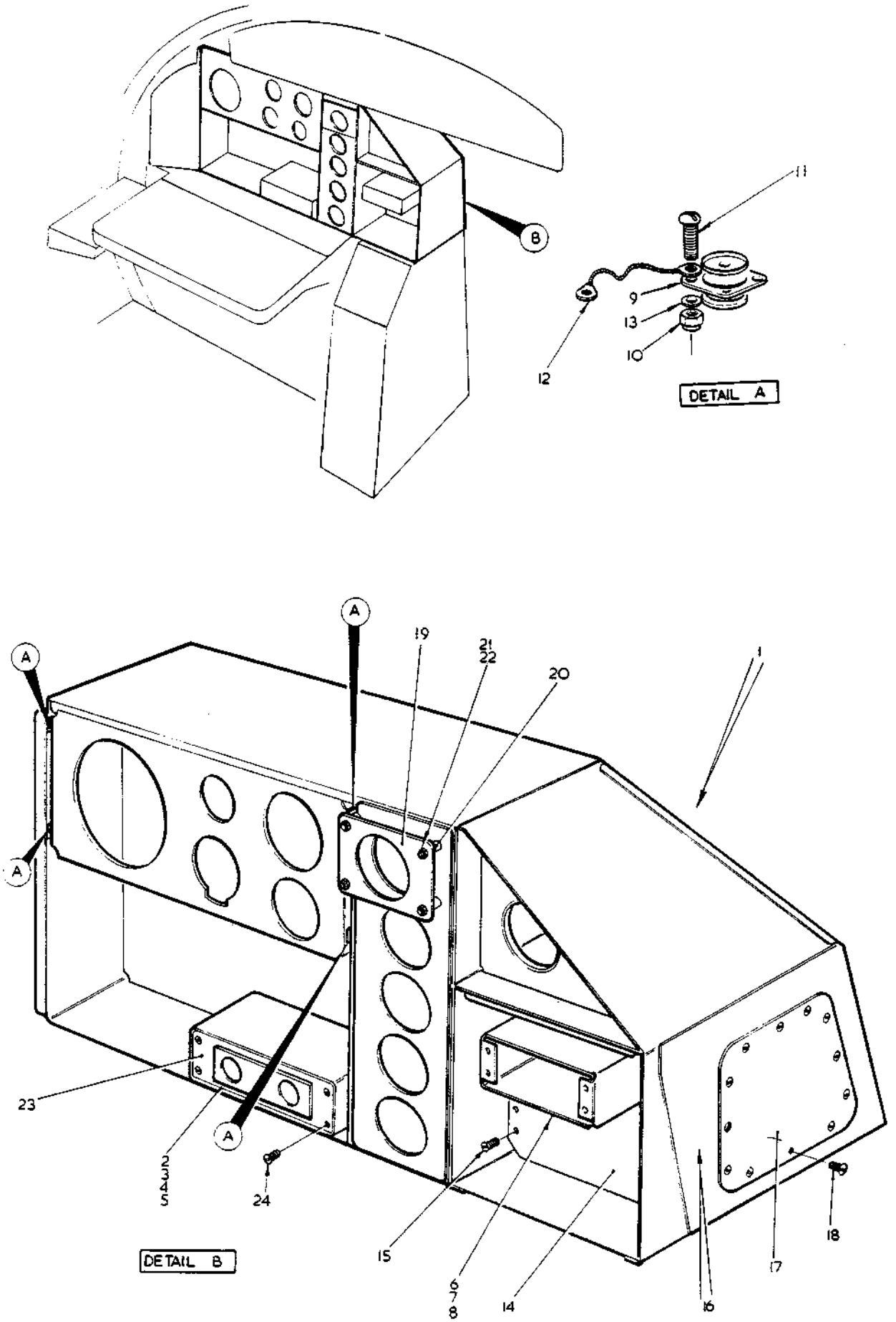


FIG. 9 PRESSURE CABIN EQUIPMENT





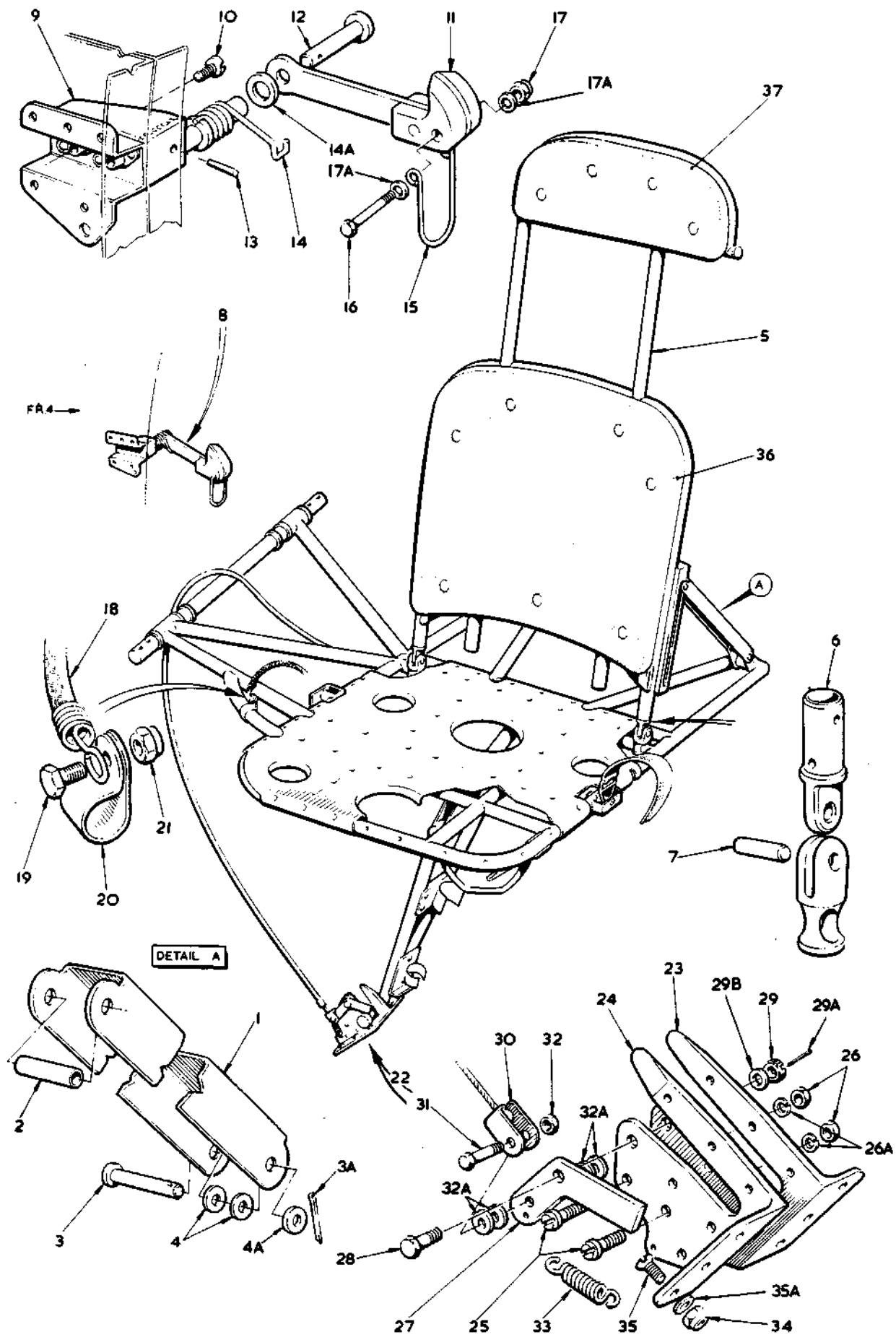


FIG.11 PRESSURE CABIN EQUIPMENT

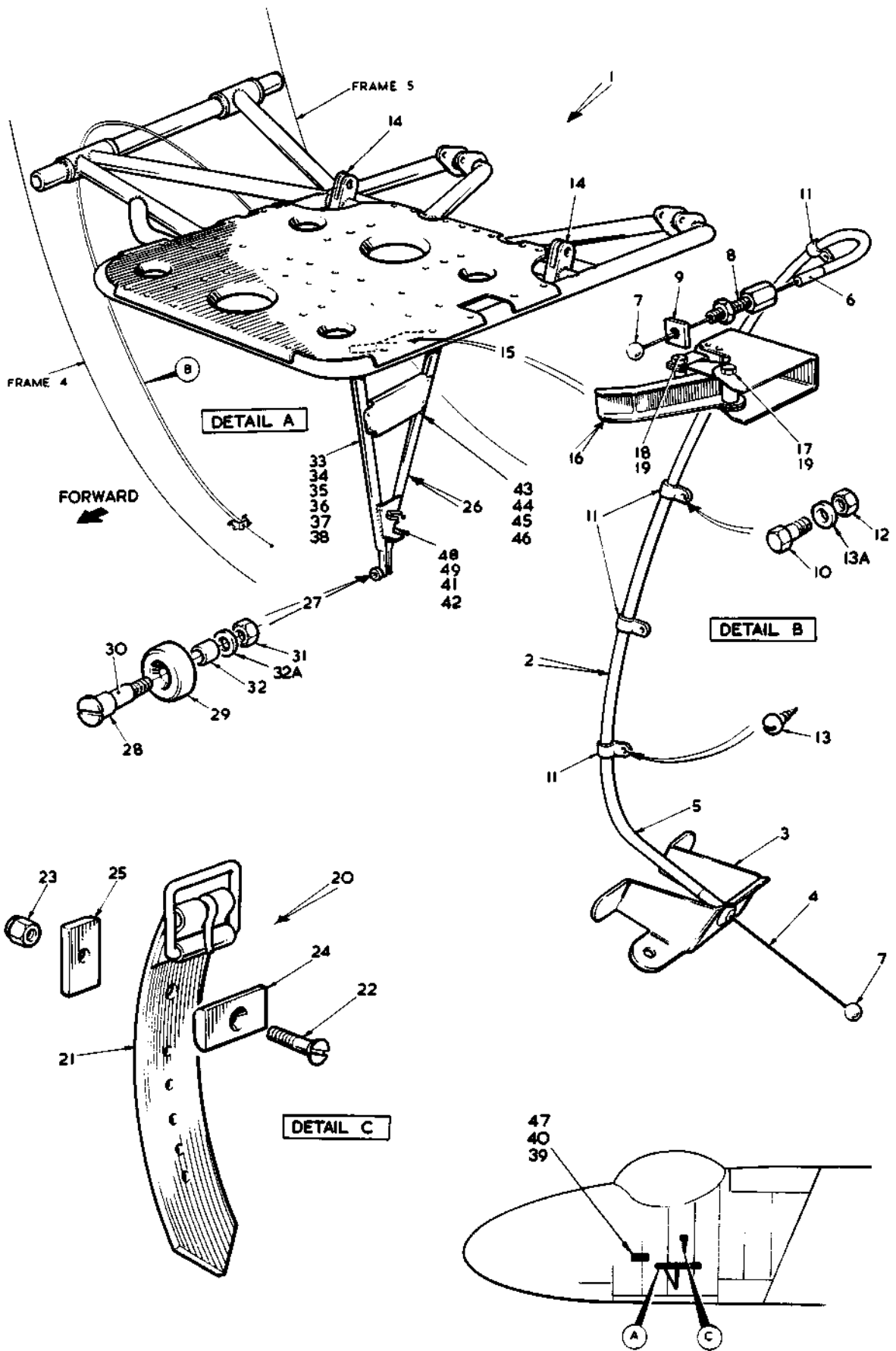


FIG.12 PRESSURE CABIN EQUIPMENT

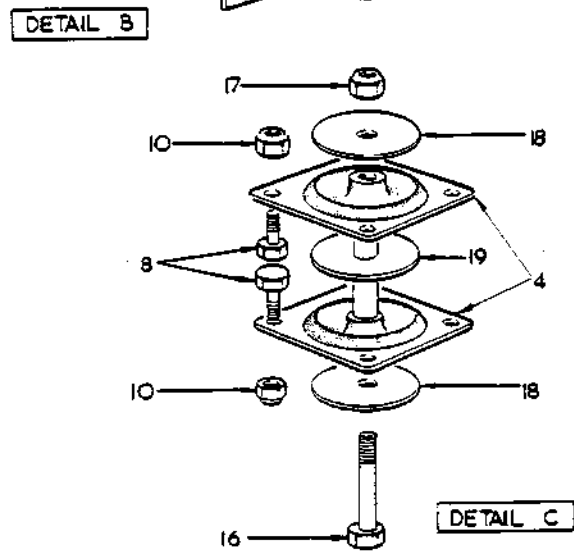
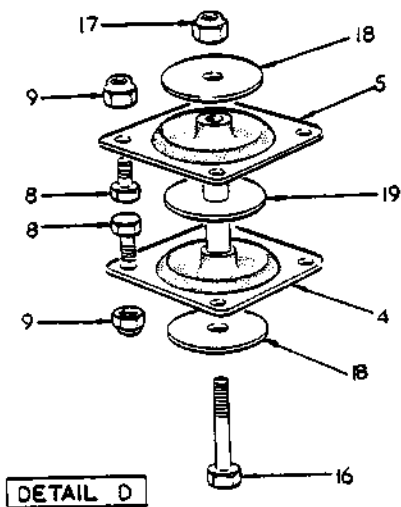
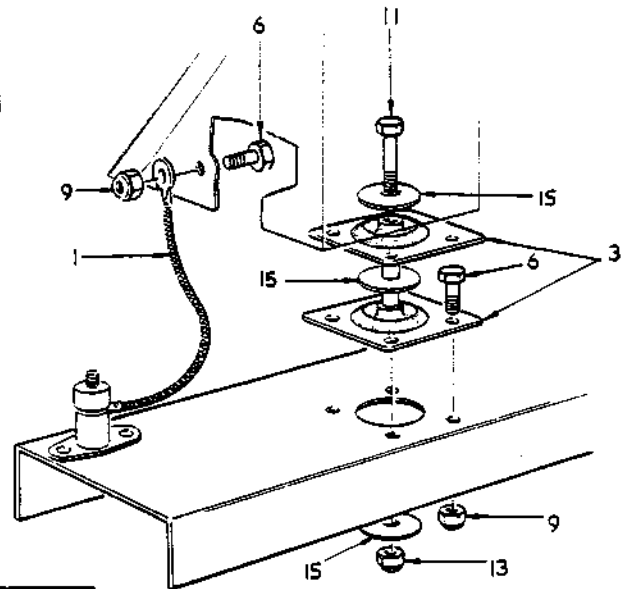
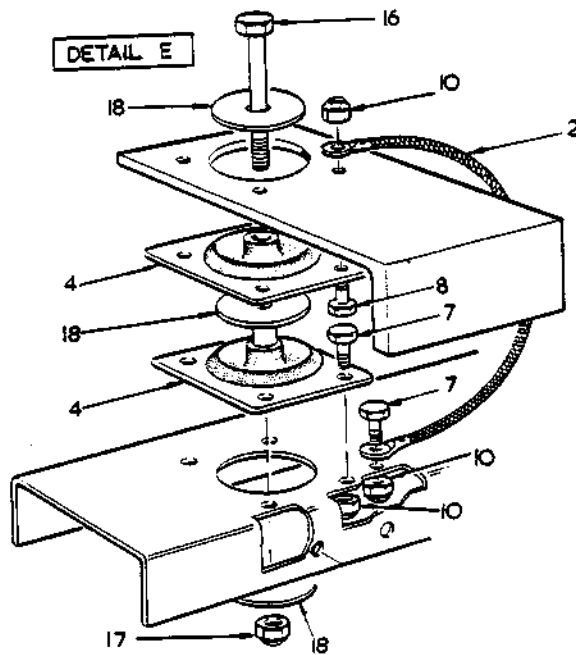
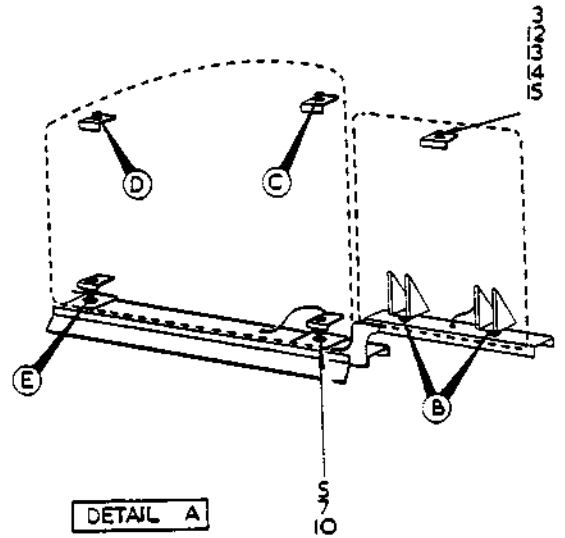
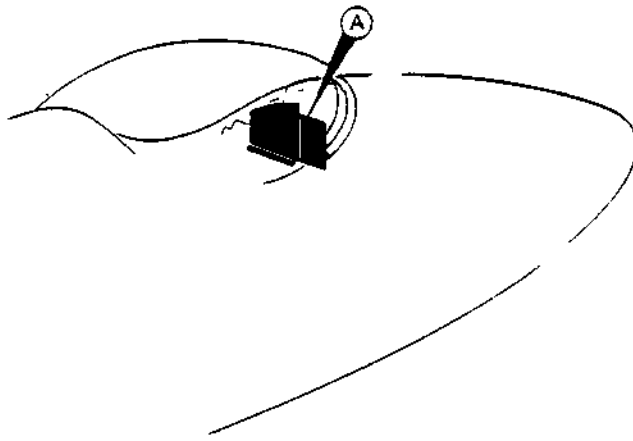


FIG. 13 PRESSURE CABIN EQUIPMENT

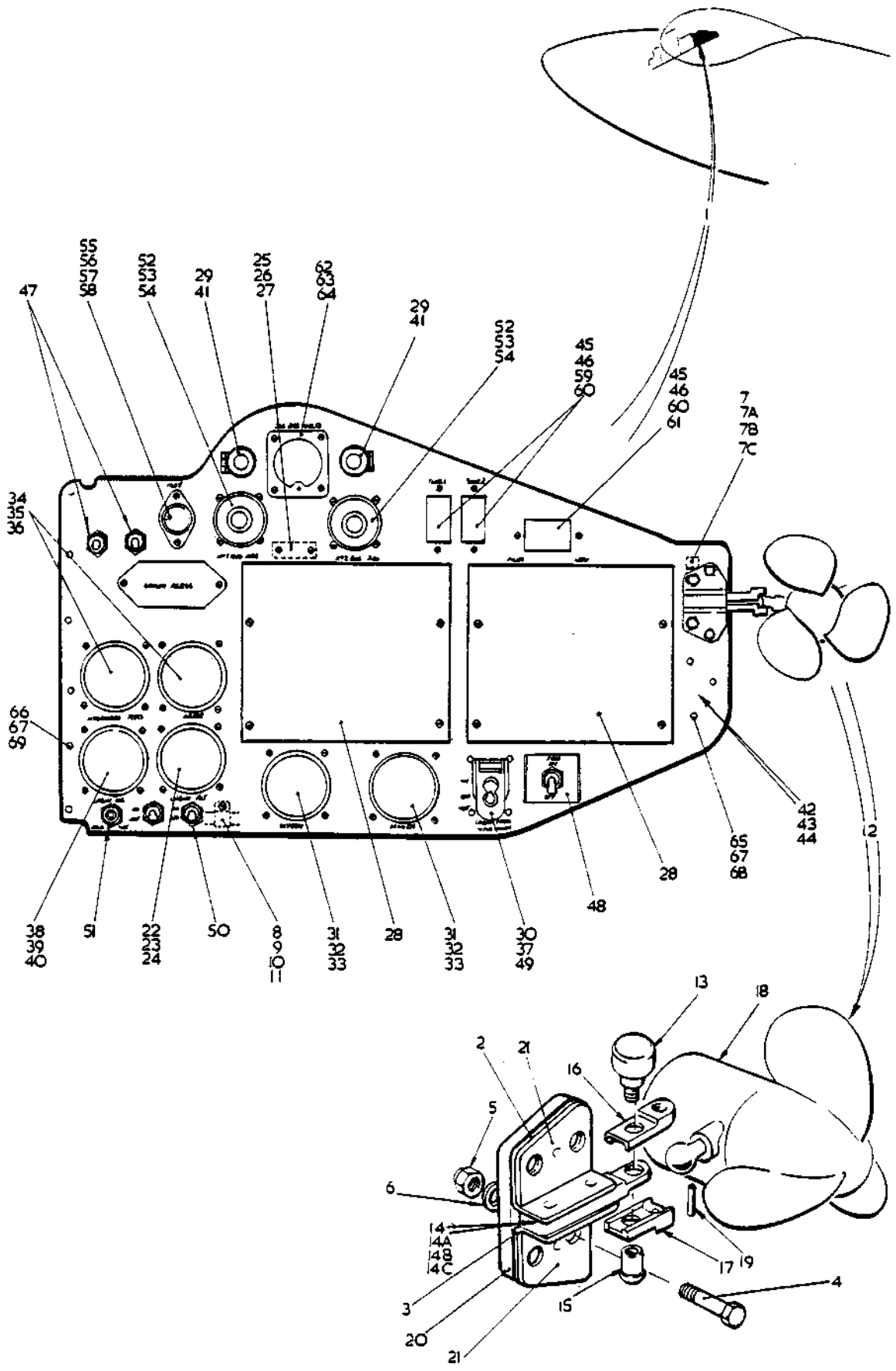


FIG. 14 PRESSURE CABIN EQUIPMENT

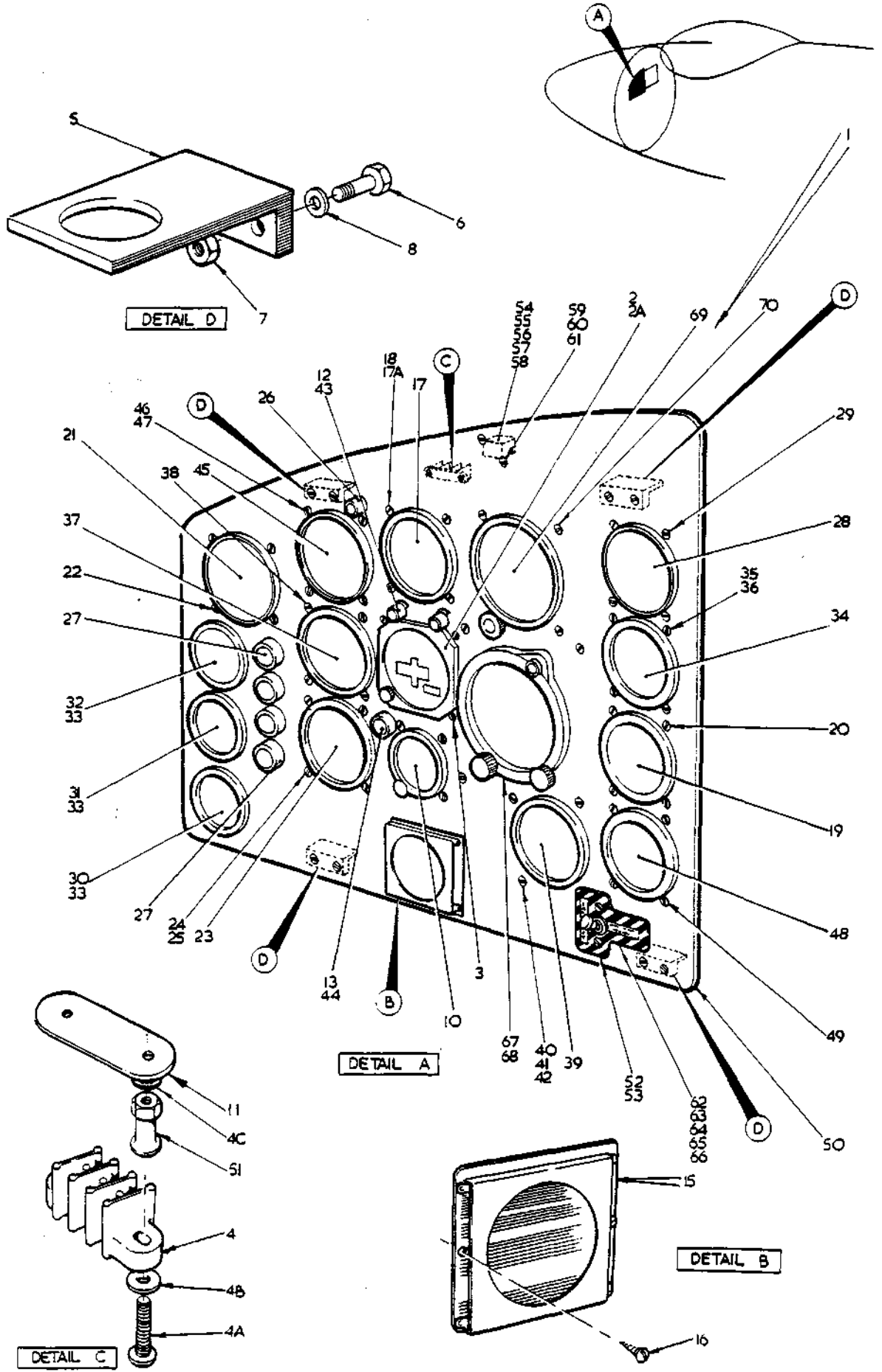


FIG. 15 PRESSURE CABIN EQUIPMENT

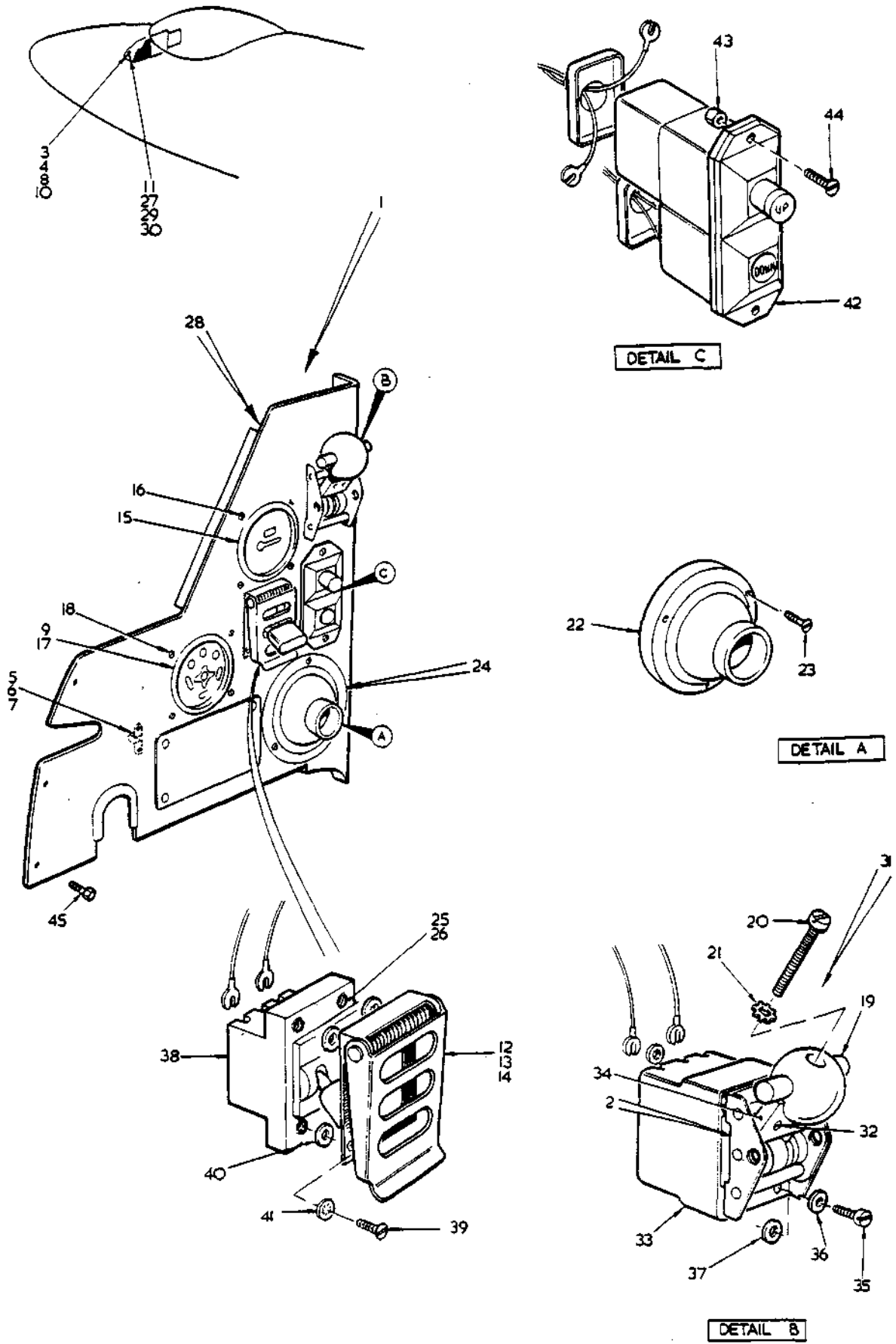


FIG. 16 PRESSURE CABIN EQUIPMENT



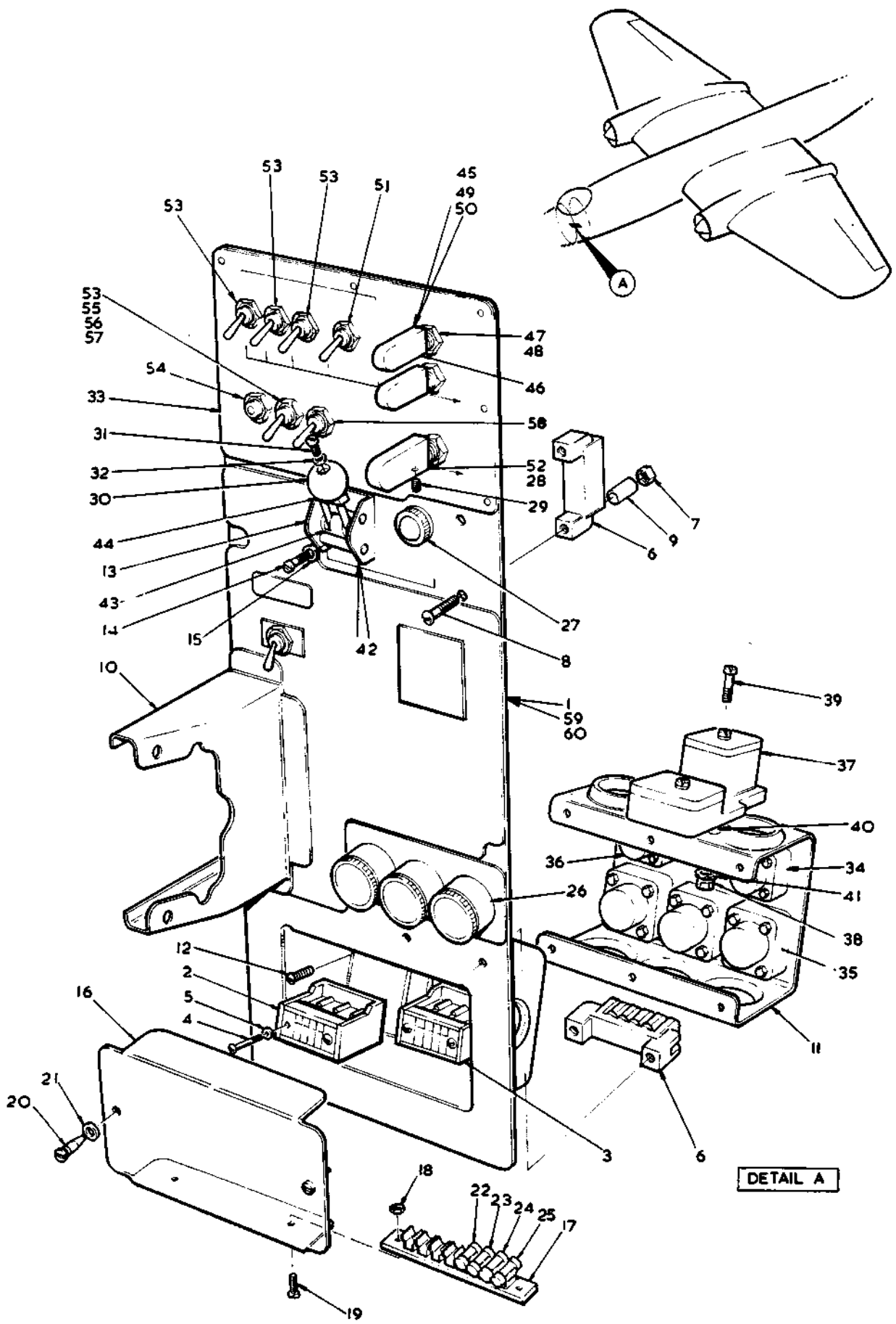


FIG. 17A PRESSURE CABIN EQUIPMENT

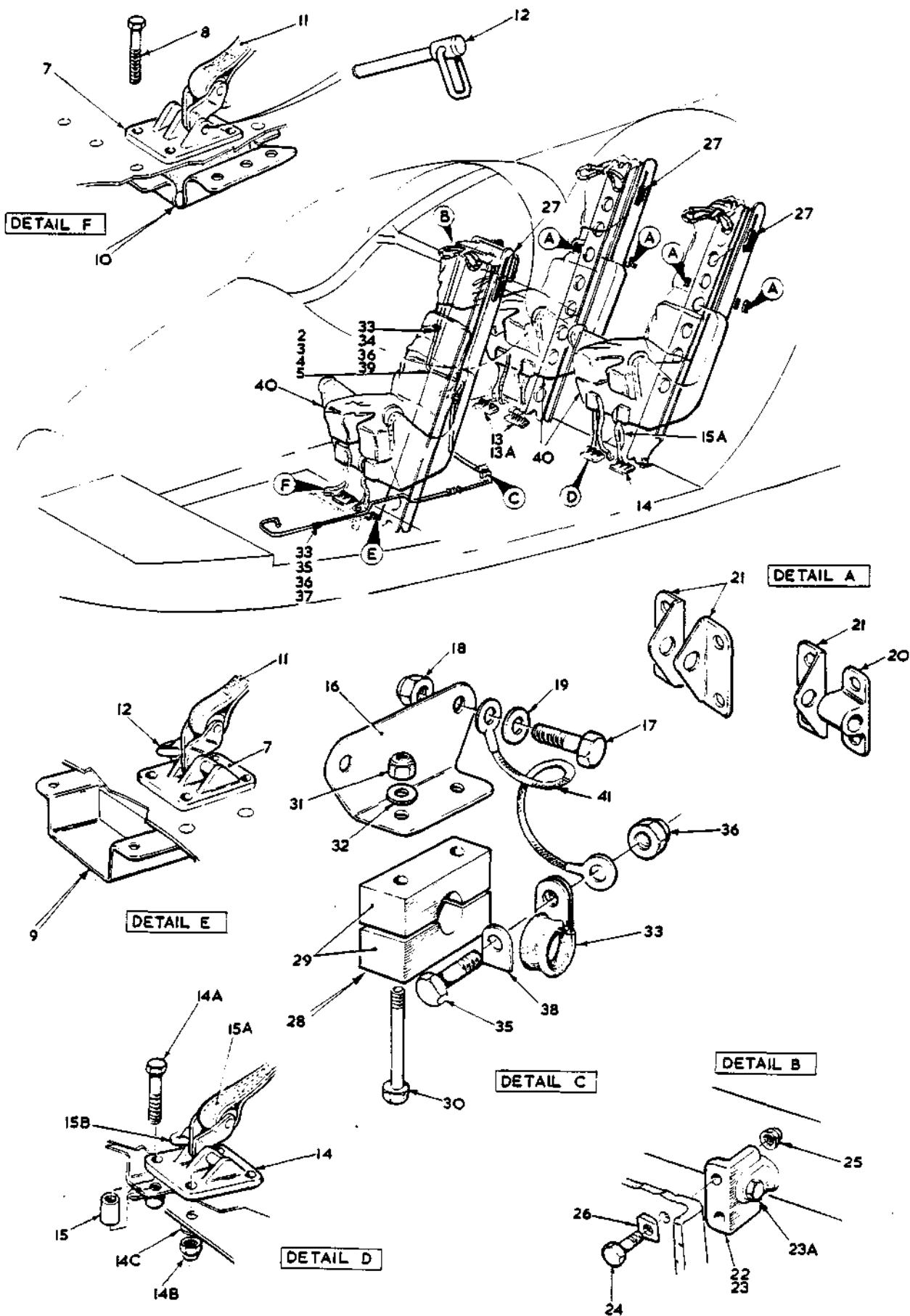


FIG.18 PRESSURE CABIN EQUIPMENT

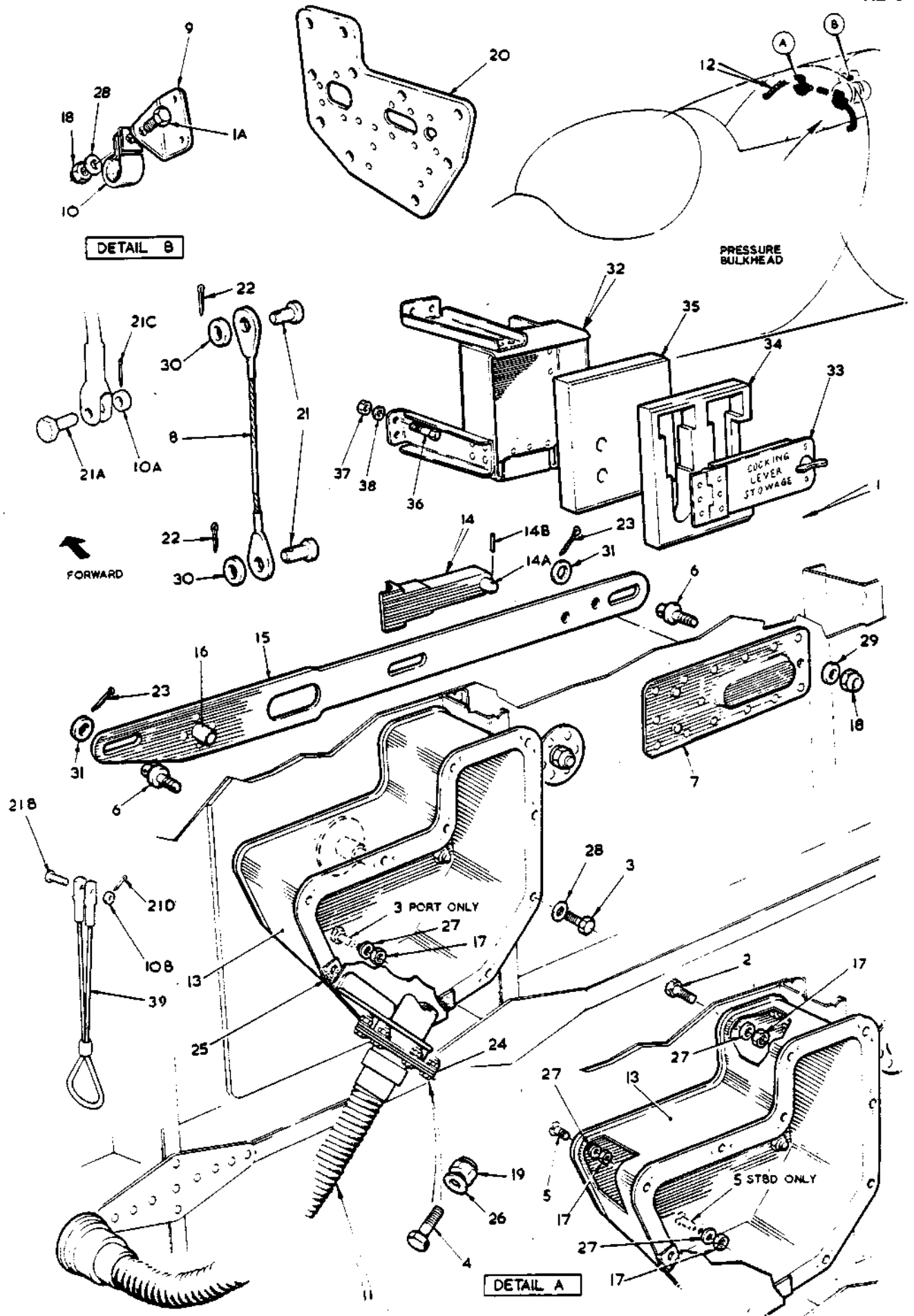


FIG.19 PRESSURE CABIN EQUIPMENT

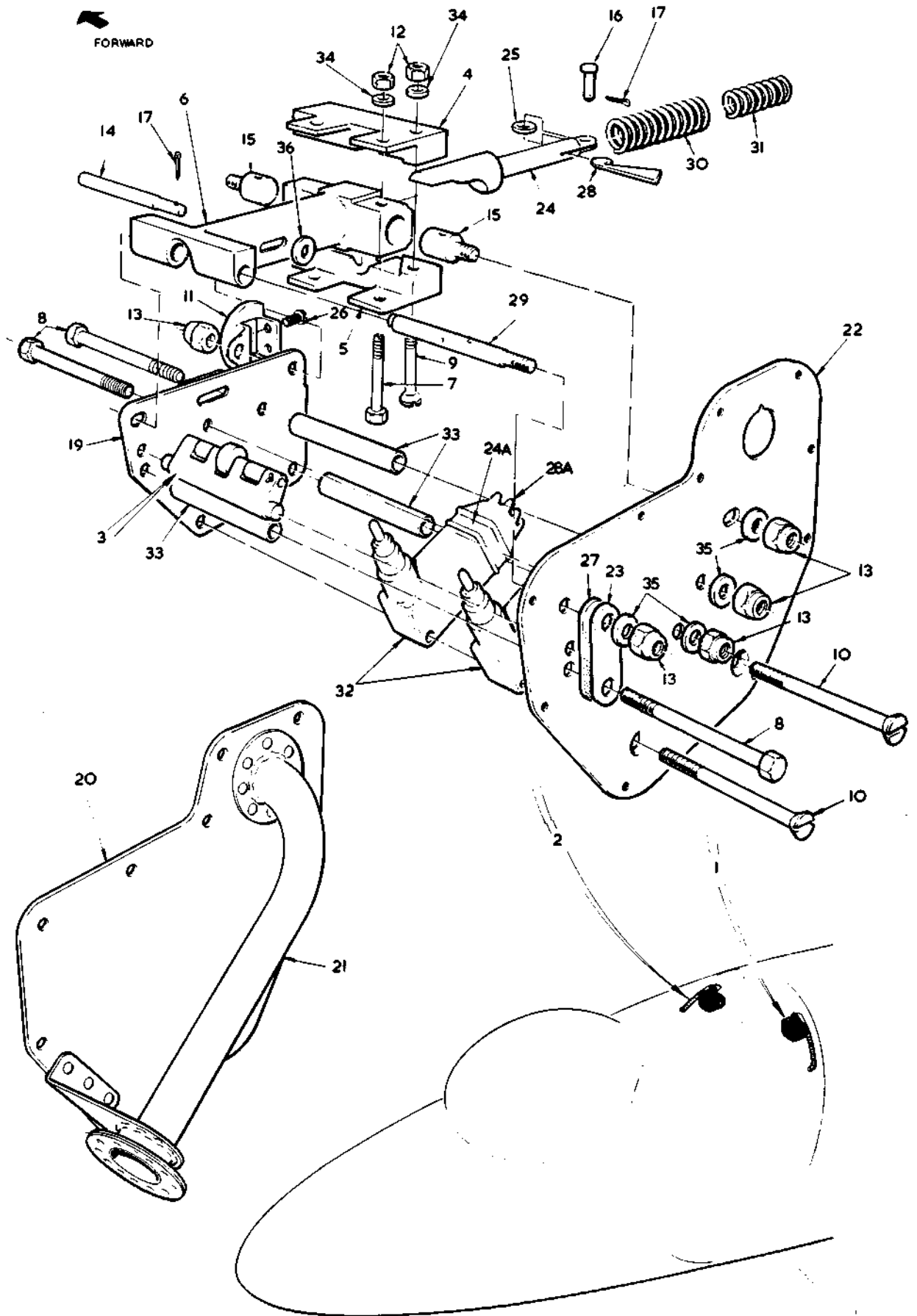
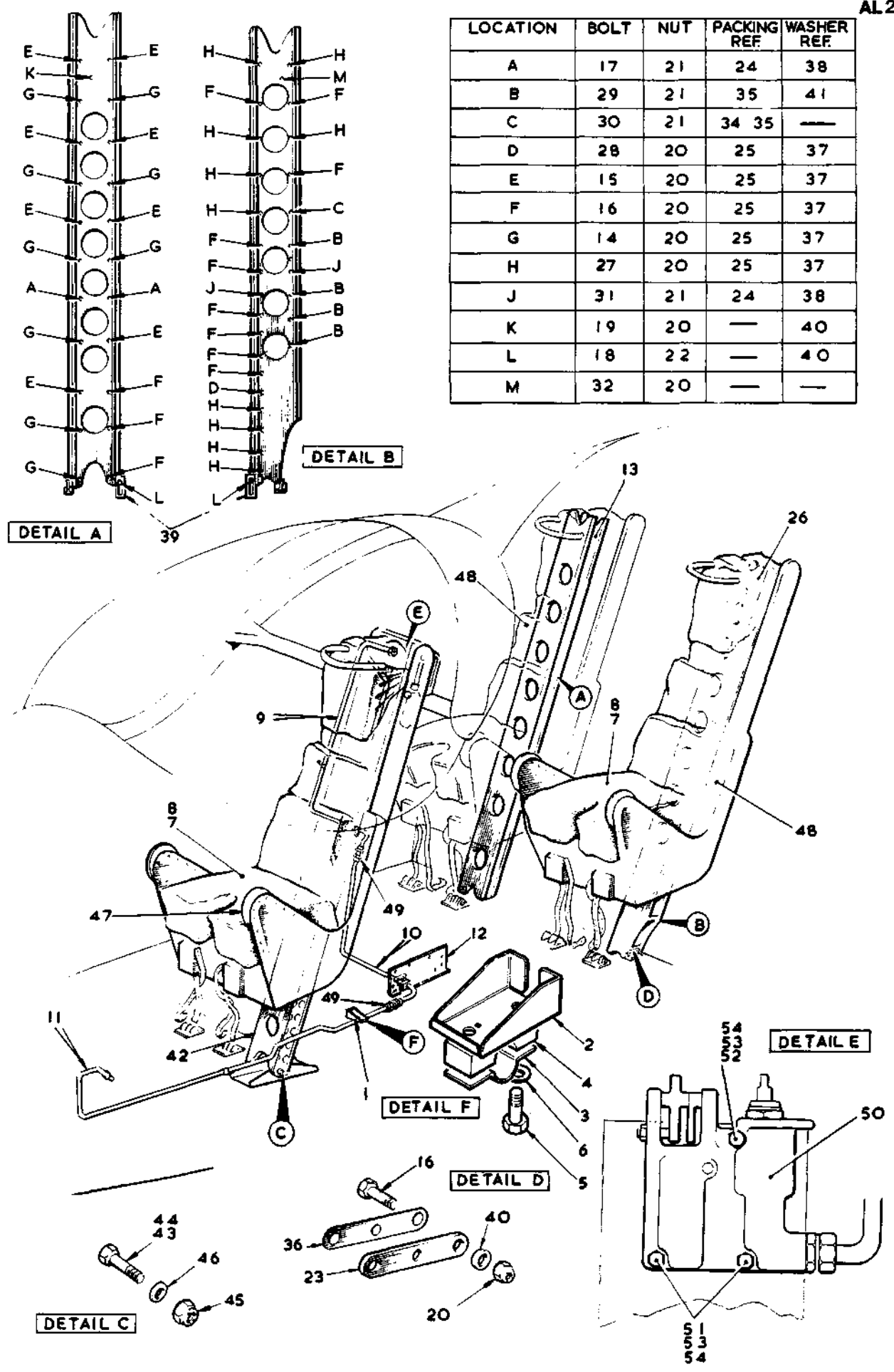


FIG. 20 PRESSURE CABIN EQUIPMENT



LOCATION	BOLT	NUT	PACKING REF.	WASHER REF.
A	17	21	24	38
B	29	21	35	41
C	30	21	34 35	—
D	28	20	25	37
E	15	20	25	37
F	16	20	25	37
G	14	20	25	37
H	27	20	25	37
J	31	21	24	38
K	19	20	—	40
L	18	22	—	40
M	32	20	—	—

FIG. 21. PRESSURE CABIN EQUIPMENT

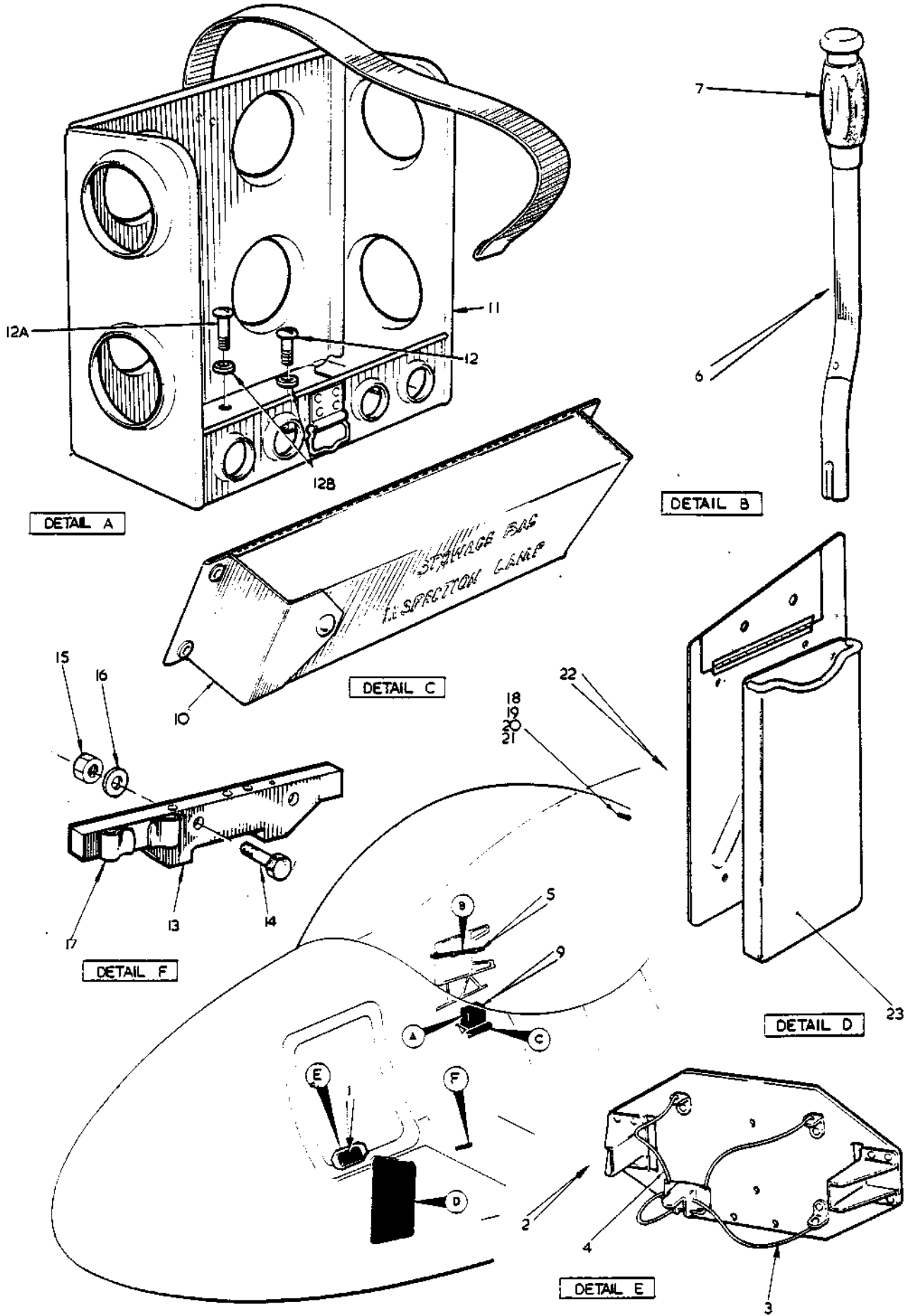


FIG. 22 PRESSURE CABIN EQUIPMENT

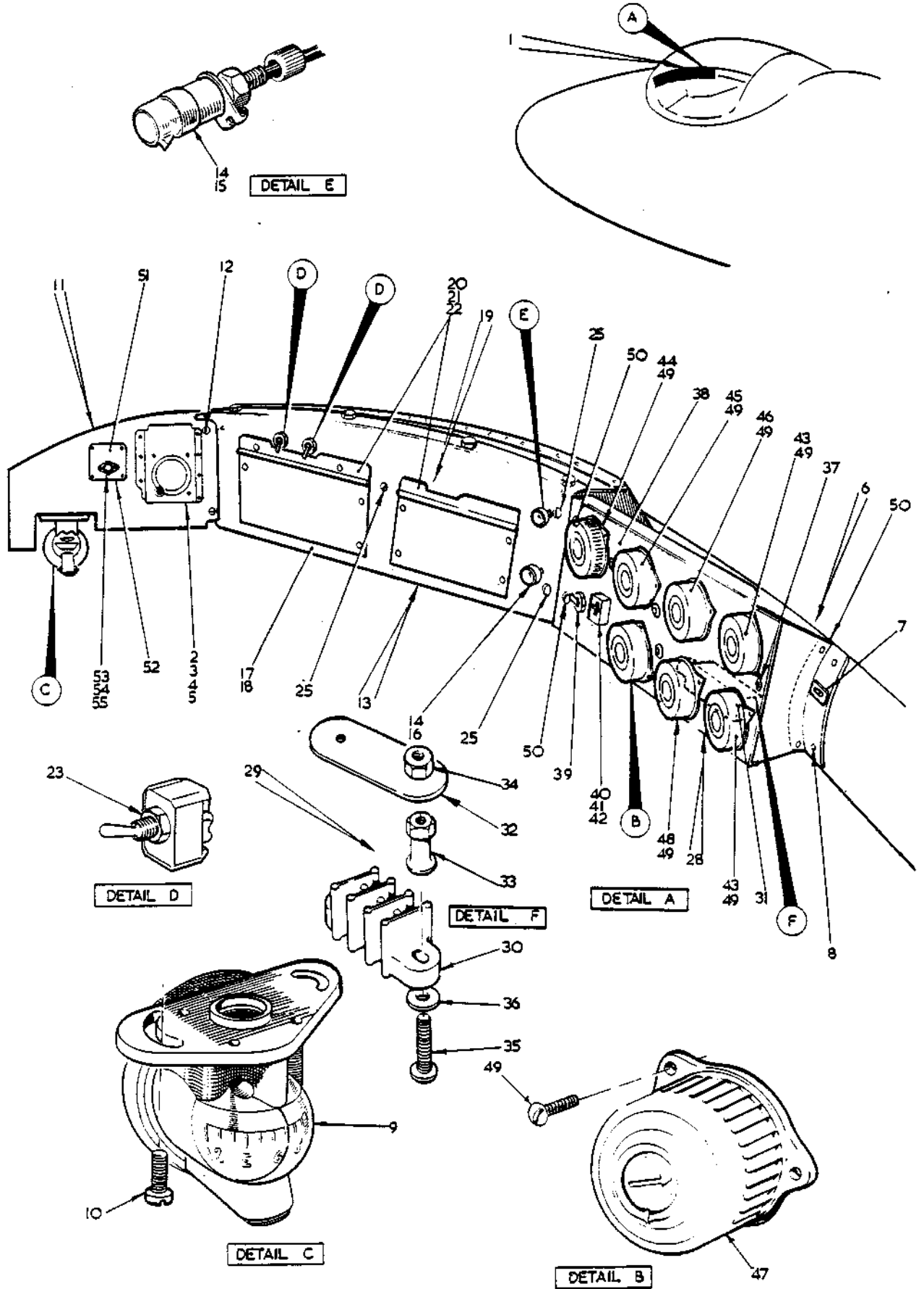


FIG. 23 PRESSURE CABIN EQUIPMENT

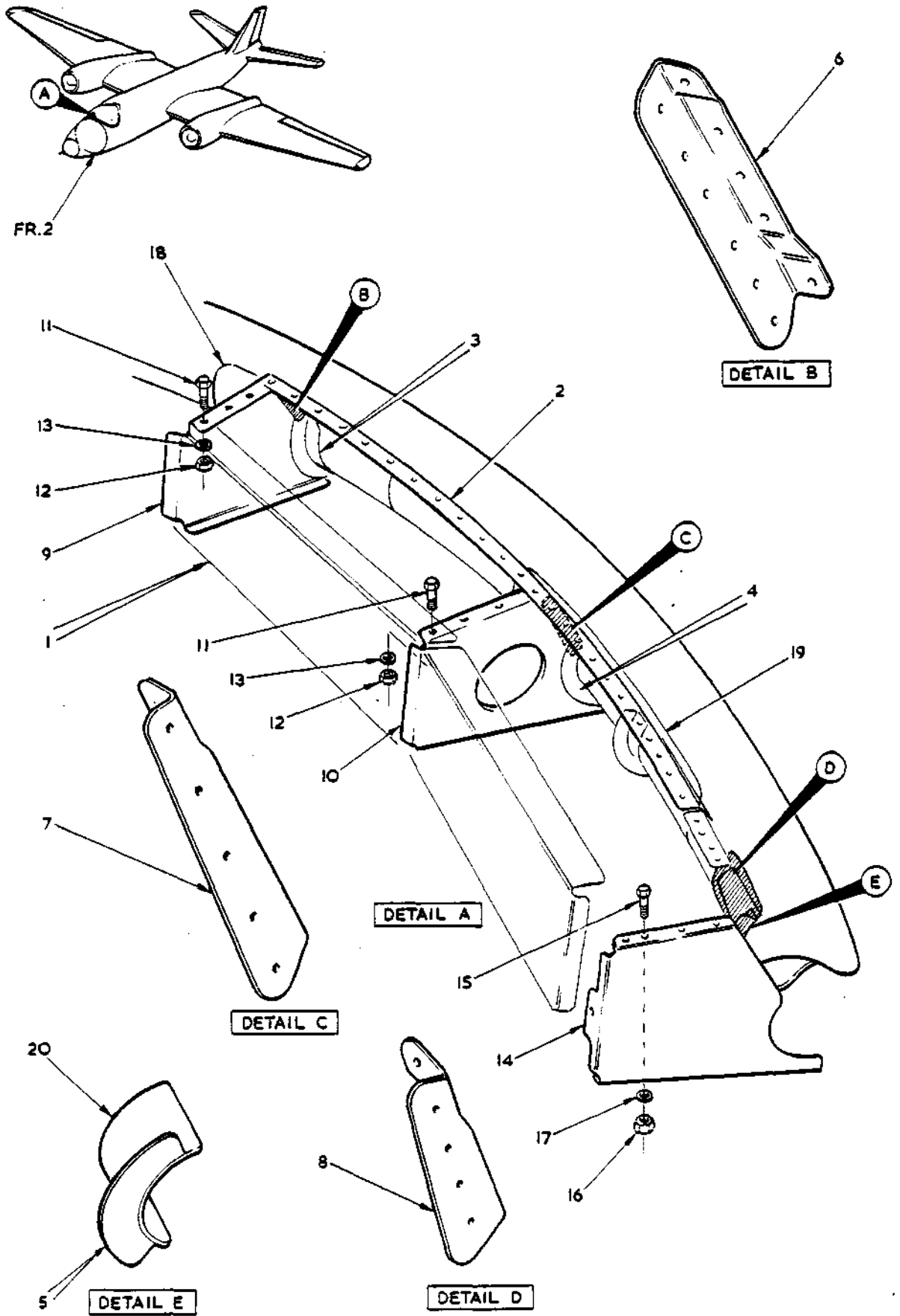


FIG 24 CABIN PRESSURE EQUIPMENT

This file was downloaded  
from the RTFM Library.

Link: [www.scottbouch.com/rtfm](http://www.scottbouch.com/rtfm)

Please see site for usage terms,  
and more aircraft documents.

