

EQUIPMENT, AIRCRAFT

EQUIPMENT, REAR FUSELAGE

Part Number	Description	No. Off	Mtl. Spec.	Plate No.
EG4.83.7	EQUIPMENT, REAR FUSELAGE, ASSEMBLY	-	-	
EB6.80.4417	Spares for:- . PLATES, COVER, PYLON, STOWAGE, INSTALLATION	-	-	GB1/1
EB6.80.4535	Spares for:- . . . STUD, shoulder, assembly	4	-	GB1/2
EA3.83.143	. STOWAGE, CARTRIDGE, ENGINE, INSTALLATION	-	-	GB1/3
D2L6728GF961	Spares for:- . . . CARTRIDGE, No.9 Mk.2	QR	-	GB1/4
EA3.83.139	. . . CLEAT	4	-	GB1/5
EA3.83.141	. . . CLEAT	4	-	GB1/6
A25/1B	Attaching parts for EA3.83.139 and EA3.83.141:- . . . Bolt, 4BA	4	-	GB1/7
AGS2001B1	. . . Nut, stiff 4BA	4	-	GB1/8
SP13B	. . . Washer, 4BA	4	-	GB1/9
EA3.83.161	. . . MOUNTING, CARTRIDGE, ENGINE ASSEMBLY	1	-	GB1/10
EA3.83.163	Spares for:- . . . BRACKET, CARTRIDGE, MOUNTING ASSEMBLY	6	-	GB1/11
EA3.88.55	Spares for:- BAND, wire	1	-	GB1/12
EA3.83.53 CLIP, assembly	1	-	GB1/13
A25/11C	Attaching parts for EA3.83.161:- . . . Bolt, 2 BA	4	-	GB1/14
A27CT	. . . Nut, 2 BA	4	-	GB1/15
AS2307/095	. . . Tube, distance	4	-	GB1/16
SP47C	. . . Washer, spring	4	-	GB1/17
EB6.80.791	. STOWAGE, SURVIVAL PACK, BETWEEN FRAMES 31B AND 33, PORT, ASSEMBLY	-	-	GB2/1
EB6.80.795	Spares for:- . . . CRATE AND STRAP, ASSEMBLY	1	-	GB2/2
EB6.80.793	Spares for:- . . . CRATE, ASSEMBLY	1	-	GB2/3
EB7.80.903	Spares for:- BOLT, 1/4" BSF	1	-	GB2/4
EB8.80.3201 NUT, knurled	1	L.64 or L.65	GB2/5
EB8.80.1787	. . . FRAME, hinged, assembly	1	-	GB2/6
EB8.80.1789	. . . STRAP, 1" wide	2	Comm.	GB2/7
EB8.80.1791	. . . STRAP, 1" wide, c/w buckle	2	Webbing Comm.	GB2/8
EB8.80.1795	. . . STRAP, 1" wide, c/w buckle	1	Webbing Comm.	GB2/9
EB8.80.1797	. . . STRAP, 1" wide	2	Webbing Comm.	GB2/10
A25/13B	Attaching parts for EB8.80.1789, EB8.80.1791, EB8.80.1795 or EB8.80.1797:- . . . Bolt, 4 BA	1	-	GB2/11
AGS2001/B/1	. . . Nut, 4 BA	1	-	GB2/12
A25/2E	Attaching parts for EB6.80.795:- . . . Bolt, 1/4" BSF	2	-	GB2/13
A25/3E	. . . Bolt, 1/4" BSF	2	-	GB2/14
AGS2001E1/77	. . . Nut, 1/4" BSF	4	-	GB2/15
SP15E	. . . Washer, 1/4" BSF	4	-	GB2/16

EQUIPMENT, AIRCRAFT

EQUIPMENT, REAR FUSELAGE

Part Number	Description	No. Off	Matl. Spec.	Plate No.
				1 2 3 4 5 6
EB8.80.1773	. STOWAGE, SURVIVAL PACK, BETWEEN FRAMES 38 AND 37, PORT, ASSEMBLY Spares for:—	—	—	GB3/1
EB8.80.1775	. . . CRATE AND STRAP, ASSEMBLY Spares for:—	1	—	GB3/2
EB8.80.1783 CRATE, ASSEMBLY Spares for:—	1	—	GB3/3
EB7.80.903 BOLT, 1/4" BSF	1	—	GB3/4
EB8.80.3201 NUT, knurled	1	L.64 or L.65	GB3/5
EB8.80.1787 FRAME, hinged, assembly	1	—	GB3/6
EB8.80.1789 STRAP, 1" wide	2	Comm. Webbing	GB3/7
EB8.80.1791 STRAP, 1" wide, c/w buckle	2	Comm. Webbing	GB3/8
EB8.80.1795 STRAP, 1" wide, c/w buckle	1	Comm. Webbing	GB3/9
EB8.80.1797 STRAP, 1" wide Attaching parts for EB8.80.1789, EB8.80.1791, EB8.80.1795 or EB8.80.1797:—	2	Comm. Webbing	GB3/10
A25/12B Bolt, 4 BA	1	—	GB3/11
AGS2001B1 Nut, 4 BA Attaching parts for EB8.80.1775:—	1	—	GB3/12
A25/1E Bolt, 1/4" BSF	1	—	GB3/13
A25/3E Bolt, 1/4" BSF	1	—	GB3/14
A25/8E Bolt, 1/4" BSF	2	—	GB3/15
AGS2001E1/77 Nut, 1/4" BSF	4	—	GB3/16
SP15E Washer	4	—	GB3/17
EB8.80.1774	. STOWAGE, SURVIVAL PACK, BETWEEN FRAMES 36 AND 37, STARBOARD, ASSEMBLY Spares for:—	—	—	GB3/18
EB8.80.1776	. . . CRATE AND STRAP, ASSEMBLY Spares for:—	1	—	GB3/19
EB8.80.1783 CRATE, ASSEMBLY Spares for:—	1	—	GB3/3
EB7.80.903 BOLT, 1/4" BSF	1	—	GB3/4
EB8.80.3201 NUT, knurled	1	L.64 or L.65	GB3/5
EB8.80.1787 FRAME, hinged, assembly	1	—	GB3/6
EB8.80.1789 STRAP, 1" wide	2	Comm. Webbing	GB3/7
EB8.80.1791 STRAP, 1" wide, c/w buckle	2	Comm. Webbing	GB3/8
EB8.80.1795 STRAP, 1" wide, c/w buckle	1	Comm. Webbing	GB3/9
EB8.80.1797 STRAP, 1" wide Attaching parts for EB8.80.1789, EB8.80.1791, EB8.80.1795 or EB8.80.1797:—	2	Comm. Webbing	GB3/10
A25/12B Bolt, 4 BA	1	—	GB3/11
AGS2001B1 Nut, 4 BA Attaching parts for EB8.80.1776:—	1	—	GB3/12
A25/1E Bolt, 1/4" BSF	1	—	GB3/13
A25/3E Bolt, 1/4" BSF	1	—	GB3/14
A25/8E Bolt, 1/4" BSF	2	—	GB3/15
AGS2001E1/77 Nut, 1/4" BSF	4	—	GB3/16
SP15E Washer	4	—	GB3/17

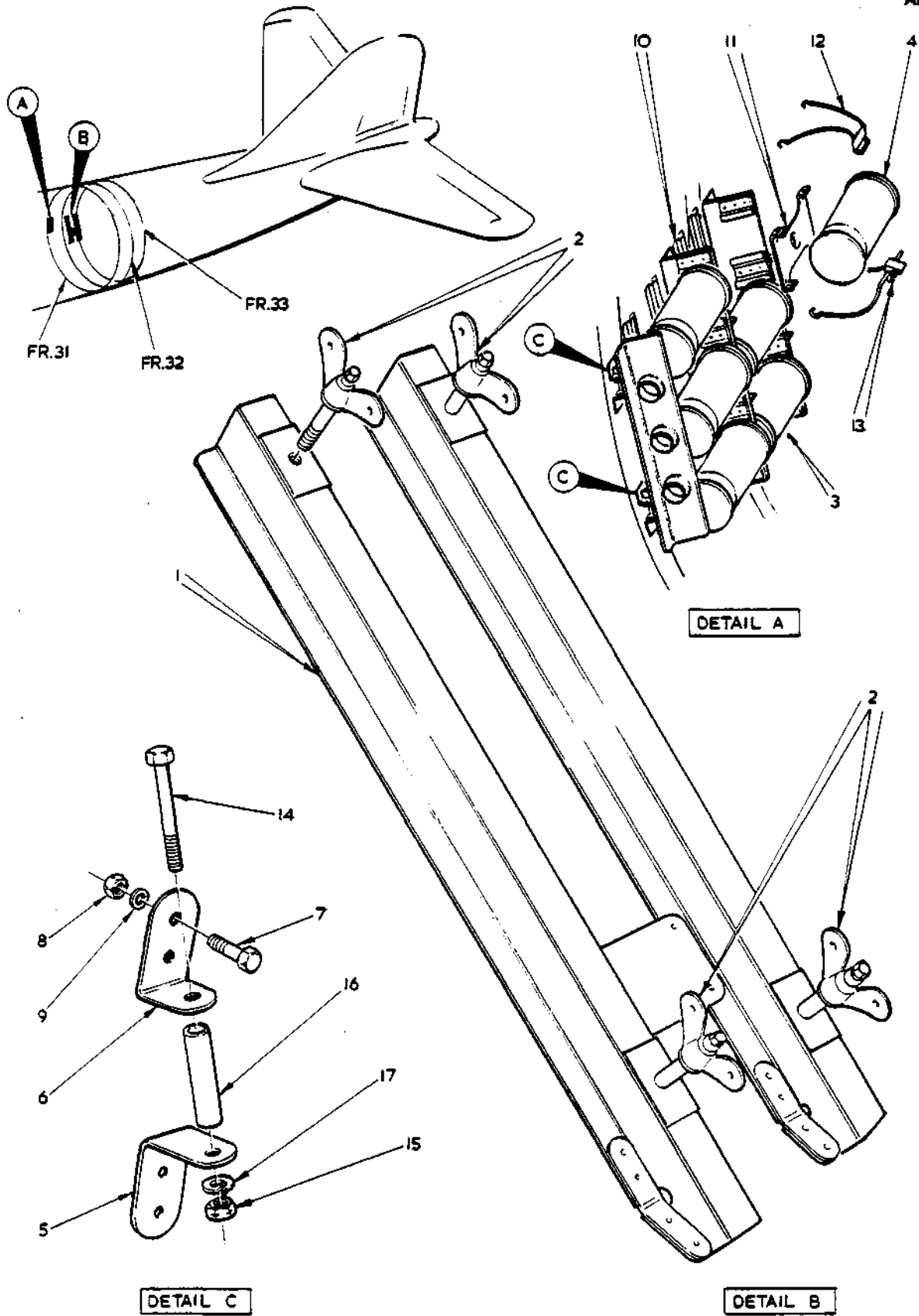


FIG 1 EQUIPMENT REAR FUSELAGE

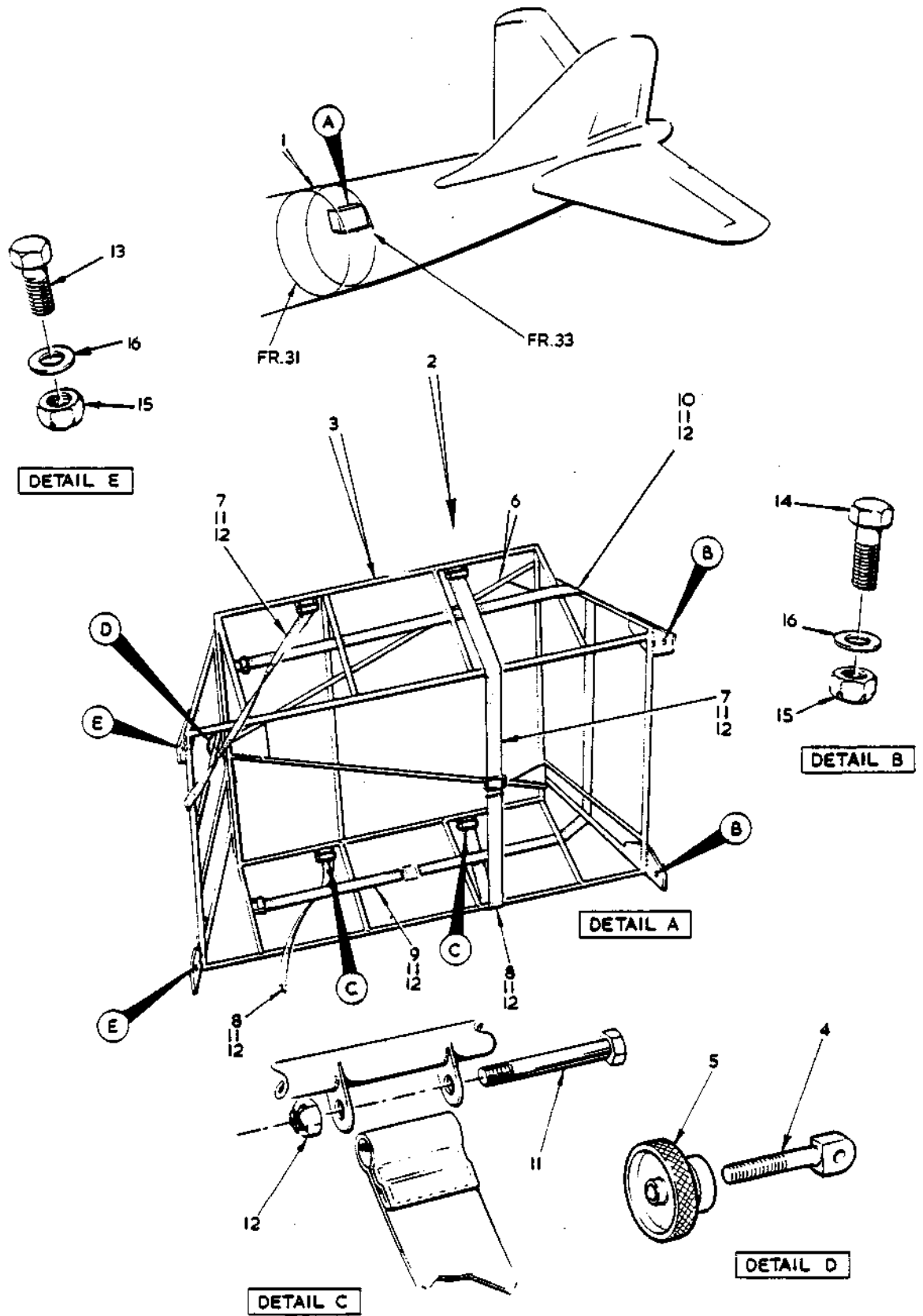


FIG 2 EQUIPMENT REAR FUSELAGE

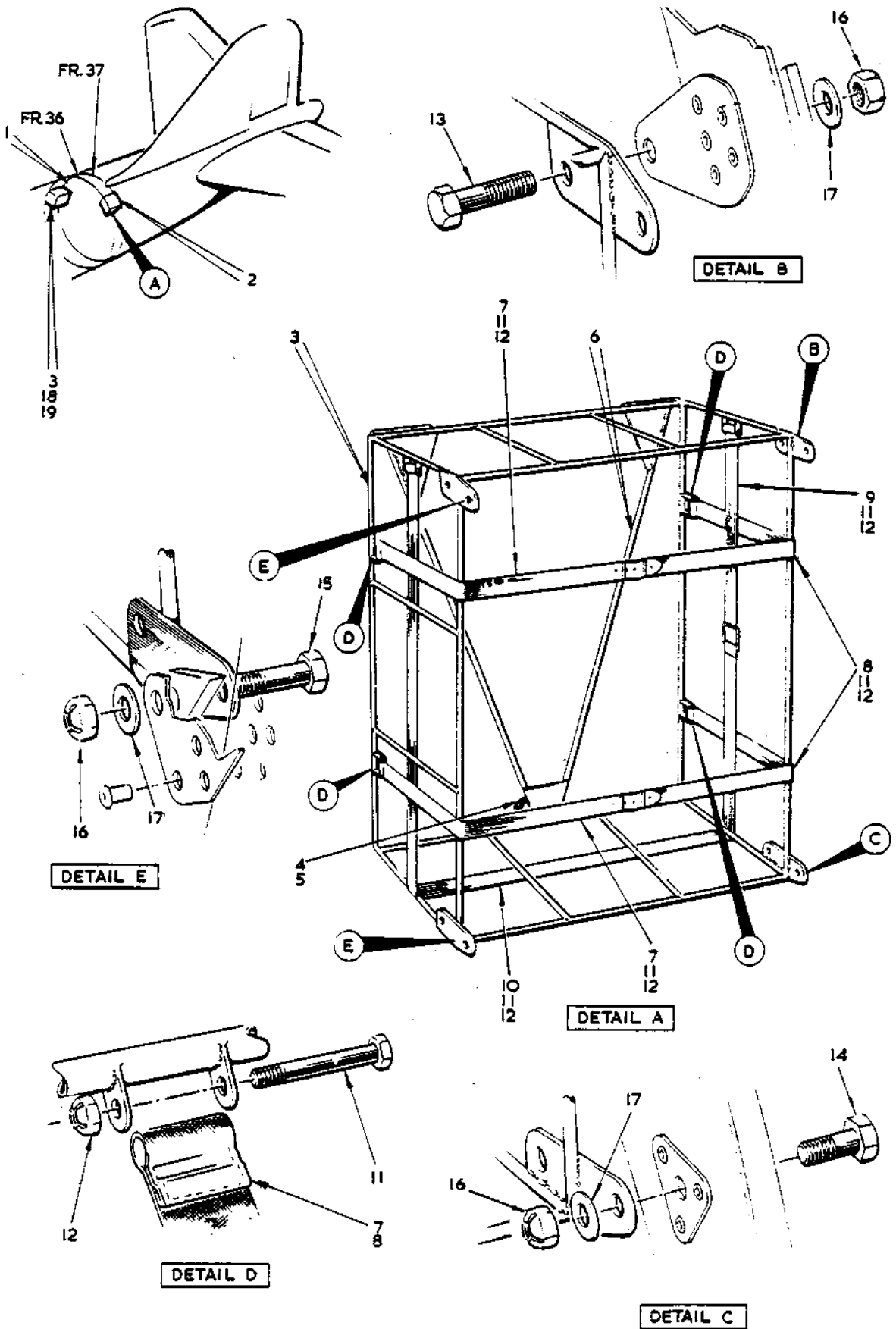


FIG 3 EQUIPMENT REAR FUSELAGE

This file was downloaded
from the RTFM Library.
Link: www.scottbouch.com/rtfm
Please see site for usage terms,
and more aircraft documents.

