

FUSELAGE  
CENTRE FUSELAGE

Part Number	Description	No. Off	Matl. Spec.	Plate No.	
					1
EG4.00.507	CENTRE FUSELAGE, ASSEMBLY	-	-		
	Spares for :-				
EB6.75.5	. CABIN, PRESSURE SYSTEM (See Sect. SB)	-	-		
EG4.75.427	. CAMERA, WINDOW, DEMISTING PIPE RUN (See Sect. SD)	-	-		
EB6.47.297	. CONTROLS, ENGINE (See Sect. CA)	-	-		
EA3.45.379	. CONTROLS, FLYING (See Sect. DB)	-	-		
EG4.81.2807	. ELECTRICAL EQUIPMENT (See Sect. EA)	-	-		
EG4.60.1	. FIRE PROTECTION SYSTEM (See Sect. SF)	-	-		
EA3.57.67	. FUEL SYSTEM (See Sect. SG)	-	-		
EA1.45.923	. GEAR, EMERGENCY RELEASE, BOMB DOORS AND UNDERCARRIAGE, ASSEMBLY	1	-	KA1/1	
	Spares for :-				
EA3.45.283	. . CABLE, AFT, CONTROL, EMERGENCY RELEASE GEAR, BOMB DOOR, ASSEMBLY	1	-	KA2/1	
	Spares for :-				
EA1.45.1129	. . . ROLLER, special	1	S1	KA1/2	
SP8Y13	. . . ROLLER	1	-	KA2/2	
-	. . . WIRE, rope, 5 cwt.	1	W9/4	KA2/3	
EA3.45.281	. . CABLE, AFT, CONTROL, EMERGENCY RELEASE GEAR, UNDERCARRIAGE, ASSEMBLY	1	-	KA2/4	
	Spares for :-				
SP8Y13	. . . ROLLER	2	-	KA1/3	
EA1.45.905	. . . TUBE, 5/16" o/d x 20 SWG	1	T4	KA2/5	
-	. . . WIRE, rope, 5 cwt.	1	W9/4	KA2/6	
EA1.45.1211	. . CLEAT, fairlead attachment	2	-	KA1/4	
	Attaching parts for EA1.45.1211 :-				
AGS2001B1	. . Nut, 4BA	1	-	KA1/5	
A31B12	. . Screw, 4BA	1	-	KA1/6	
SP15B	. . Washer, 4BA	1	-	KA1/7	
AGS899/1	. . COLLAR	2	-	KA2/7	
EA3.45.245	. . FAIRLEAD, single	1	DTD683	KA2/8	
	Attaching parts for EA3.45.245 :-				
AS1242/5B	. . Bolt, 4BA	2	-	KA2/9	
AGS2001B1	. . Nut, 4BA	2	-	KA2/10	
SP15B	. . Washer, 4BA	2	-	KA2/11	
EA1.45.1123	. . FAIRLEAD, double	1	LFS21	KA1/8	
	Attaching parts for EA1.45.1123 :-				
A25/5B	. . Bolt, 4BA	2	-	KA1/9	
AGS2001B1	. . Nut, 4BA	2	-	KA1/10	
SP15B	. . Washer, 4BA	2	-	KA1/11	
EA1.45.879	. . FAIRLEAD, single	1	LFS21	KA2/12	
	Attaching parts for EA1.45.879 :-				
A25/5C	. . Bolt, 2BA	2	-	KA2/13	
AGS2001C1/66	. . Nut, 2BA	2	-	KA2/14	
SP3Y412	. . FORK, joint	1	-	KA1/12	
SP3Y412L	. . FORK, joint	1	-	KA1/13	
SP3Y413	. . FORK, joint	1	-	KA1/14	
SP3Y413L	. . FORK, joint	1	-	KA1/15	
SP4Y/A3	. . PIN	2	-	KA1/16	
SP4Y/A4	. . PIN	2	-	KA2/15	
SP4Y/B4	. . PIN	2	-	KA1/17	

FUSELAGE  
CENTRE FUSELAGE

Part Number	Description	No. Off	Mati. Spec.	Plate No.
EA1.45.859	PULLEYS, BOMB DOOR AND UNDERCARRIAGE EMERGENCY RELEASE GEAR, ASSEMBLY	—	—	KA1/18
	Spares for :—			
EA1.45.839	BRACKET, pulley	1	—	KA2/16
EA1.45.841	BRACKET, half, top, pulley	1	L72	KA1/19
EA1.45.843	BRACKET, half, bottom, pulley	1	L72	KA1/20
	Attaching parts for EA1.45.841 and EA1.45.843 :—			
A25/1C	Bolt, 2BA	3	—	KA1/21
AGS2001C1/66	Nut, 2BA	3	—	KA1/22
SP15C	Washer, 2BA	3	—	KA1/23
EA1.45.1005	BRACKET, pulley	1	—	KA2/17
EA1.45.863	FAIRLEAD	1	LFS21	KA2/18
	Attaching parts for EA1.45.863 :—			
A25/9C	Bolt, 2BA	2	—	KA2/19
AGS2001C1/66	Nut, 2BA	2	—	KA2/20
AS108 or AS1152	PULLEY, c/w shroud	2	—	KA1/24
	Attaching parts for AS108 and AS1152 :—			
A25/11E	Bolt, 1/4" BSF	QR	—	KA1/25
A25/20E	Bolt, 1/4" BSF	QR	—	KA1/26
AGS2001E1/66	Nut, 1/4" BSF	1	—	KA1/27
EA1.45.837	Packing	QR	—	KA1/28
SP15E	Washer, 1/4"	1	—	KA1/29
AS1151	PULLEY, c/w shroud	4	—	KA2/21
	Attaching parts for AS1151 :—			
A25/12E	Bolt, 1/4" BSF	QR	—	KA2/22
A25/13E	Bolt, 1/4" BSF	QR	—	KA2/23
A25/17E	Bolt, 1/4" BSF	QR	—	KA2/24
AGS2001E1/66	Nut, 1/4" BSF	1	—	KA2/25
EA1.45.835	Packing	1	—	KA2/26
EA1.45.845	Packing	1	—	KA2/27
EEAS28/53HR	Washer	1	—	KA2/28
EA1.45.1311	Washer, special	1	—	KA2/29
EA1.45.1015	Washer, wedge	1	—	KA2/30
SP15E	Washer, 1/4"	1	—	KA2/31
SP16E	Washer, 1/4"	1	—	KA2/32
EA1.45.1127	RETAINER, cable	2	—	KA1/30
	Attaching parts for EA1.45.1127 :—			
AGS2002B1	Nut, 4BA	1	—	KA1/31
A31B12	Screw, 4BA	1	—	KA1/32
SP8Y1	ROD, tension	1	—	KA1/33
SP8Y2	ROD, tension	1	—	KA1/34
EB6.75.5	HYDRAULIC EQUIPMENT (See Sect. SH)	—	—	
EG4.83.313	INSTALLATION OF CAMERA (MOD 4799) (See Sect. SC)	—	—	
EG4.71.121	OXYGEN SYSTEM (See Sect. SJ)	—	—	
EG4.75.17	PIPES, COLD AIR UNIT (See Sect. SB)	—	—	
EB6.80.169	PIPES, PITOT AND STATIC (See Sect. SK)	—	—	
EB6.75.933	SUIT, AIR VENTILATED, SYSTEM (See Sect. SB)	—	—	
EA3.56.453	TANK, FUEL, 300 GALLON (See Sect. UB)	—	—	
AS4561/2	TAB, locking (SEM 041)	2	—	
5E5253563	WIRE, copper, enamelled (SEM 041)	QR	—	

FUSELAGE  
CENTRE FUSELAGE STRUCTURE

Ref. No.	Part No.	Description	1 2 3 4 5 6						No. off	Matl. Spec.	Cl. of Equip M.R. L.M.	Plate No.
	EG4.11.213	STRUCTURE, CENTRE FUSELAGE, ASSEMBLY										
	EA9.11.2011	Spares for:— ATTACHMENTS, HOISTING ON FLOOR GIRDERS 17 AND 22 Spares for:—										
32345	EA9.11.2003	. . . BLOCK, spacing						1	DTD423	C	KA3/1	
32346	EA9.11.2005	. . . BLOCK, suspension						1	S1	C	KA3/2	
32347	EA9.11.2015	. . . BLOCK, suspension						1	DTD423	C	KA3/3	
28D/1212304	A25/19E	. . . BOLT, 1/4"						4	—	C	KA3/1A	
28M/5808571	A27GS	. . . NUT, castle						2	—	C	KA3/2A	
28M/9480017	AGS2001E1/66	. . . NUT, stiff 1/4"						4	—	C	KA3/1C	
28P/9527619	SP90C7	. . . PIN, split						1	—	C	KA3/2B	
37862	EA9.11.2013	. . . PLATE, side (Make from 10 SWG)						2	DTD124	LM	KA3/4	
28W/9418921	SP13E	. . . WASHER, 1/4"						8	—	C	KA3/1B	
	EA9.11.3127	BEAMS, REINFORCING BOMB BAY DEFLECTOR AND FOOTSTEPS (BLUE SILK) FRAMES 29 TO 31, ASSEMBLY Spares for:—										
38642	EA9.11.3143	. . . BEAM, reinforcing, port, assembly						1	—	—		
38639	EA9.11.3133	. . . BEAM, reinforcing, starboard, assembly Attaching parts for EA9.11.3143 or EA9.11.3133:—						1	—	—	KA9B/22	
28D/9436920	A25/1C	. . . Bolt, 2BA						3	—	C	KA9B/23	
28D/9133011	A25/2C	. . . Bolt, 2BA						3	—	C	KA9B/24	
28M/9403520	A27CP	. . . Nut, 2BA						4	—	C	KA9B/25	
28M/1012015	AGS2001C1/66	. . . Nut, 2BA						2	—	C	KA9B/26	
38663	EA9.11.3205	. . . BRACKET, attachment, inboard, port, frame 29						1	L65	—		
38665	EA9.11.3207	. . . BRACKET, attachment, outboard, port, frame 29						1	L65	—		
38664	EA9.11.3206	. . . BRACKET, attachment, inboard, starboard, frame 29						1	L65	—	KA9B/27	
38666	EA9.11.3208	. . . BRACKET, attachment, outboard, starboard, frame 29 Attaching parts for EA9.11.3205, EA9.11.3207, EA9.11.3206 or EA9.11.3208:—						1	L65	—	KA9B/31	
28D/1008151	A25/4E	. . . Bolt, 1/4" BSF						4	—	C	KA9B/28	
28M/1011475	A27EP	. . . Nut, 1/4" BSF						4	—	C	KA9B/29	
28W/9418921	SP13E	. . . Washer						4	—	C	KA9B/30	
	EA9.11.3165	. . . BRACKET, beam attachment, port, frame 31						1	—	—		
	EA9.11.3166	. . . BRACKET, beam attachment, starboard, frame 31 Attaching parts for EA9.11.3165 or EA9.11.3166:—						1	—	—	KA9B/32	
28D/9133011	A25/2C	. . . Bolt, 2BA						2	—	C	KA9B/33	
28D/9133012	A25/3C	. . . Bolt, 2BA						1	—	C	KA9B/34	
28D/1200119	A25/4C	. . . Bolt, 2BA						1	—	C	KA9B/35	
28M/9403520	A27CP	. . . Nut, 2BA						4	—	C	KA9B/36	
	EA9.11.3193	. . . SHIM, 1/16" thick x 0.003 laminations						4	Laminated Alum.	LM	KA9B/37	
29G/2180	CARR No. 882	. . . STUD Attaching parts for No. 882:—						8	—	C	KA9B/38	
28M/1012015	AGS2002C1/66	. . . Nut, 2BA						1	—	C	KA9B/39	
5198	EA3.11.249	. . . BLOCK, support, No. 1 fuel tank, port						1	—	C	KA10/28	
5199	EA3.11.250	. . . BLOCK, support, No. 1 fuel tank, starboard Attaching parts for EA3.11.249 or EA3.11.250:—						1	—	C	KA10/29	
28S/1215861	AGS894/92	. . . Woodscrew						5	—	C	KA10/30	

FUSELAGE  
CENTRE FUSELAGE STRUCTURE

Ref. No.	Part No.	Description	No. off	Mtl. Spec.	Cl. of Equip M.R. L.M.	Plate No.
7275	EA3.11.677	. BOLT, special	10	—	C/MR	KA3/5
13091	EA3.11.655	. BOLT, special	10	—	C	KA3/7
1438951	EA1.11.1603	. BOLT, special attachment, bulkhead to floor at frame 17	2	S11	—	KA3/8
1438952	EA1.11.1605	. BOLT, special attachment, bulkhead to floor at frame 17	1	—	—	KA3/9
	EB6.11.2403	. BRACKET, WING PICK-UP AT FRAME 17, PORT, INSTALLATION (MOD 3156)	—	—	—	
	EB6.11.2404	. BRACKET, WING PICK-UP AT FRAME 17, STARBOARD, INSTALLATION (MOD 3156)	—	—	—	
		Spares for:—				
	EB6.11.2405 or	. BRACKET, wing pick-up at frame 17, port side (Mod 3156) (Pre—Mod 3522)	1	—	—	KA11/1
	EB6.11.5025 or	. BRACKET, wing pick-up at frame 17, port side (Mod 3156) (Pre—Mod 3522)	1	S95 or S96	—	
37888	EB6.11.5029	. BRACKET, wing pick-up at frame 17, port side (Mod 3156) (Pre—Mod 3522)	1	—	—	
	EB6.11.5131 or	. BRACKET, wing pick-up at frame 17, port side (Mod 3522)	1	—	—	
	EB6.11.5129 or	. BRACKET, wing pick-up at frame 17, port side (Mod 3522)	1	—	—	
40237	EB6.11.5127	. BRACKET, wing pick-up at frame 17, port side (Mod 3522)	1	—	C/MR	
	EB6.11.2406 or	. BRACKET, wing pick-up at frame 17, starboard side (Mod 3156) (Pre—Mod 3522)	1	—	—	
	EB6.11.5026 or	. BRACKET, wing pick-up at frame 17, starboard side (Mod 3156) (Pre—Mod 3522)	1	S95 or S96	—	
37889	EB6.11.5030	. BRACKET, wing pick-up at frame 17, starboard side (Mod 3156) (Pre—Mod 3522)	1	—	—	
	EB6.11.5132 or	. BRACKET, wing pick-up at frame 17, starboard side (Mod 3522)	1	—	—	
	EB6.11.5130 or	. BRACKET, wing pick-up at frame 17, starboard side (Mod 3522)	1	—	—	
40238	EB6.11.5128	. BRACKET, wing pick-up at frame 17, starboard side (Mod 3522)	1	—	C/MR	
		Attaching parts for bracket, wing pick-up:—				
28D/7002428	A25/6C	. Bolt, 2BA	12	—	C	KA11/2
28D/1010030	A25/7C	. Bolt, 2BA	7	—	C	KA11/3
28D/1013172	AS1242/5C	. Bolt, 2BA	8	—	C	KA11/4
28D/1204937	AS1242/6C	. Bolt, 2BA	7	—	C	KA11/5
28D/1007978	AS1242/7C	. Bolt, 2BA	3	—	C	KA11/6
28D/1010031	A25/8E	. Bolt, 1/4" BSF	2	—	C	KA11/7
28D/1212751	A25/11J	. Bolt, 3/8" BSF	1	—	C	KA11/8
28D/1011303	A25/13J	. Bolt, 3/8" BSF	1	—	C	KA11/9
28M/1012015	AGS2001C1/66	. Nut, 2BA	21	—	C	KA11/10
28M/9403520	A27CP	. Nut, 2BA	15	—	C	KA11/11
28M/1011475	A27EP	. Nut, 1/4" BSF	2	—	C	KA11/12
28M/1011473	A27JP	. Nut, 3/8" BSF	2	—	C	KA11/13
28W/9419475	SP15C	. Washer	18	—	C	KA11/14
28W/9419405	SP15E	. Washer	2	—	C	KA11/15
37762	EB6.11.2407	. CLEAT, fuselage to wing pick-up bracket on stringer 11, port aft, starboard forward (Mod 3156)	2	—	C	KA11/16
37763	EB6.11.2408	. CLEAT, fuselage to wing pick-up bracket on stringer 11, port forward, starboard aft (Mod 3156)	2	—	C	KA11/17
		Attaching parts for EB6.11.2407 or EB6.11.2408:—				
28D/1011019	A25/8C	. Bolt, 2BA	6	—	C	KA11/18
28M/9403520	A27CP	. Nut, 2BA	6	—	C	KA11/19
28W/9419404	SP16C	. Washer	6	—	C	KA11/20

## FUSELAGE

## CENTRE FUSELAGE STRUCTURE

Part Number	Description	No. Off	Matl. Spec.	Plate No.
EB6.11.2341	. . . PANEL, access, port, 14 SWG (Mod 3156)	1	L72	KA11/21
EB6.11.2342	. . . PANEL, access, starboard, 14 SWG (Mod 3156)	1	L72	
A25/2C	. . . Attaching parts for EB6.11.2341 or EB6.11.2342 :-			
SP15C	. . . Bolt, 2BA	81	-	KA11/22
	. . . Washer	81	-	KA11/23
EA3.11.15	. . . BULKHEAD, fuel tank, rear	1	-	KA3/6
EA1.11.3551	. . . BULKHEAD, fuel tank, at frame 17 (Supplied to Drg. Part No. EA3.09.965, for spares purposes)	1	-	KA3/10
EG4.11.269	. . . DOOR, BOMB, PORT, ASSEMBLY (MOD 4799) (Make from Part No. EA1.11.1097, Ref. 3080 or Part No. EG4.11.25, Ref. 34141)	1	-	
EG4.11.271	. . . DOOR, BOMB, STARBOARD, ASSEMBLY (MOD 4799) (Make from Part No. EA1.11.1098, Ref. 3081 or Part No. EG4.11.26, Ref. 34142) Spares for :-	1	-	
EA1.11.2617	. . . ANGLE	1	-	
EA1.11.1411	. . . BLOCK, sealing, aft, port	1	-	KA5/1
EA1.11.1412	. . . BLOCK, sealing, aft, starboard	1	-	
EA1.11.1591	. . . BLOCK, sealing, centre, port	1	-	KA5/2
EA1.11.1592	. . . BLOCK, sealing, centre, starboard	1	-	
EA1.11.1593	. . . BLOCK, sealing, fwd., port	1	-	KA5/3
EA1.11.1594	. . . BLOCK, sealing, fwd., starboard	1	-	
	. . . Attaching parts for sealing blocks :-			
AGS253/38	. . . Screw, wood	AR	-	KA5/4
AGS251/20	. . . Screw, wood	AR	-	KA5/5
AGS251/19	. . . Screw, wood	AR	-	KA5/6
EA1.11.1573	. . . BOLT, special	6	-	KA5/7
A25/3C	. . . BOLT, 2BA	10	-	KA5/9
A25/5C	. . . BOLT, 2BA	AR	-	KA5/11
A25/6C	. . . BOLT, 2BA	6	-	KA5/12
A25/6E	. . . BOLT, 1/4" BSF	2	-	KA5/13
A25/4G	. . . BOLT, 5/16" BSF	8	-	KA5/17
A25/5E	. . . BOLT, 1/4" BSF	18	-	KA5/19
EA1.11.823	. . . BRACKET, DOOR, ROLLER GUIDE Spares for :-	1	-	KA5/21
EA1.11.837	. . . ROLLER Attaching parts for EA1.11.837 :-	1	L40	KA5/22
EA1.11.1615	. . . Bolt, special c/w lubricating nipple	1	-	KA5/23
A27GT	. . . Nut, 5/16" BSF	1	-	KA5/24
EA1.11.1617	. . . Tube, 1/2" o/d x 1.04" x 20 SWG	1	T45	KA5/25
SP15G	. . . Washer, 5/16"	1	-	KA5/26
EA1.11.825	. . . BRACKET, DOOR, ROLLER, GUIDE Spares for :-	1	-	KA5/27
EA1.11.837	. . . ROLLER Attaching parts for EA1.11.837 :-	1	L40	KA5/22
EA1.11.1615	. . . Bolt, special c/w lubricating nipple	1	-	KA5/23
A27GT	. . . Nut, 5/16" BSF	1	-	KA5/24
EA1.11.1617	. . . Tube, 1/2" o/d x 1.04" x 20 SWG	1	T45	KA5/25
SP15G	. . . Washer, 5/16"	1	-	KA5/26

R

FUSELAGE  
CENTRE FUSELAGE STRUCTURE

Part Number	Description	No. Off	Matl. Spec.	Plate No.					
				1	2	3	4	5	6
EA1.11.827	BRACKET, DOOR, ROLLER GUIDE Spares for :-	1	-						KA5/28
EA1.11.837	ROLLER Attaching parts for EA1.11.837 :-	1	L40						KA5/22
EA1.11.1615	Bolt, special, c/w lubricating nipple	1	-						KA5/23
A27GT	Nut, 5/16" BSF	1	-						KA5/24
EA1.11.1617	Tube, 1/2" o/d x 1.04" x 20 SWG	1	T45						KA5/25
SP15G	Washer, 5/16"	1	-						KA5/26
EA1.11.829	BRACKET, DOOR, ROLLER GUIDE Spares for :-	1	-						KA5/29
EA1.11.837	ROLLER Attaching parts for EA1.11.837 :-	1	L40						KA5/22
EA1.11.1615	Bolt, special, c/w lubricating nipple	1	-						KA5/23
A27GT	Nut, 5/16" BSF	1	-						KA5/24
EA1.11.1617	Tube, 1/2" o/d x 1.04" x 20 SWG	1	T45						KA5/25
SP15G	Washer, 5/16"	1	-						KA5/26
EA1.11.831	BRACKET, DOOR, ROLLER GUIDE Spares for :-	1	-						KA5/30
EA1.11.837	ROLLER Attaching parts for EA1.11.837 :-	1	L40						KA5/22
EA1.11.1615	Bolt, special, c/w lubricating nipple	1	-						KA5/23
A27GT	Nut, 5/16" BSF	1	-						KA5/24
EA1.11.1617	Tube, 1/2" o/d x 1.04" x 20 SWG	1	T45						KA5/25
SP15G	Washer, 5/16"	1	-						KA5/26
EA1.11.833	BRACKET, DOOR, ROLLER GUIDE Spares for :-	1	-						KA5/31
EA1.11.837	ROLLER Attaching parts for EA1.11.837 :-	1	L40						KA5/22
EA1.11.1615	Bolt, special, c/w lubricating nipple	1	-						KA5/23
A27GT	Nut, 5/16" BSF	1	-						KA5/24
EA1.11.1617	Tube, 1/2" o/d x 1.04" x 20 SWG	1	T45						KA5/25
SP15G	Washer, 5/16"	1	-						KA5/26
EA1.11.845	BRACKET, ROLLER, MOUNTING BOMB DOOR CENTRE TRACK, PORT Spares for :-	1	-						KA5/32
EA1.11.847	ROLLER, locating Attaching parts for EA1.11.847 :-	1	BSS369						KA5/33
AS1242/30E	Bolt, 1/2" BSF	1	-						KA5/34
A27EP	Nut, 1/2" BSF	1	-						KA5/35
EA1.11.853	Pin, special	1	S11						KA5/36
SP18E	Washer, 1/4"	1	-						KA5/36A
EA1.11.857	Washer, special	1	DTD124						KA5/36B
EA1.11.849	ROLLER, main Attaching parts for EA1.11.849 :-	1	BSS369						KA5/37
EA1.11.855	Pin, special, locating inboard roller	1	S11						KA5/38
EA1.11.1365	ROLLER, main Attaching parts for EA1.11.1365 :-	1	BSS369						KA5/39
A27EP	Nut, 1/2" BSF	1	-						KA5/40
EA1.11.851	Pin, special	1	S11						KA5/41
SP13E	Washer, 1/4"	2	-						KA5/41A
EA1.11.1367	Washer, special	1	S11						KA5/41B

## CENTRE FUSELAGE STRUCTURE

Part Number	Description	No. Off	Matl. Spec.	Plate No.
EA1.11.846	. . . BRACKET, ROLLER, MOUNTING BOMB DOOR CENTRE TRACK, STARBOARD Spares for :-	1	-	KA5/42
EA1.11.847	. . . ROLLER, locating Attaching parts for EA1.11.847 :-	1	BSS369	KA5/33
AS1242/30E	. . . Bolt, 1/4" BSF	1	-	KA5/34
A27EP	. . . Nut, 1/4" BSF	1	-	KA5/35
EA1.11.853	. . . Pin, special, main roller	1	-	KA5/36
SP18E	. . . Washer, 1/4"	1	-	KA5/36A
EA1.11.857	. . . Washer, special	1	DTD124	KA5/36B
EA1.11.849	. . . ROLLER, main Attaching parts for EA1.11.849 :-	1	BSS369	KA5/37
EA1.11.855	. . . Pin, special	1	S11	KA5/38
EA1.11.1365	. . . ROLLER, main Attaching parts for EA1.11.1365 :-	1	BSS369	KA5/39
A27EP	. . . Nut, 1/4" BSF	1	-	KA5/40
EA1.11.851	. . . Pin, special	1	S11	KA5/41
SP13E	. . . Washer, 1/4"	2	-	KA5/41A
EA1.11.1367	. . . Washer	1	S1	KA5/41B
EA1.11.933	. . . BRACKET, HINGE, AFT, PORT Spares for :-	1	-	KA5/42
EA1.11.927	. . . BEARING, journal	1	DTD197	KA5/43
EA1.11.929	. . . BEARING, journal	1	DTD197	KA5/44
EA1.11.1231	. . . BOLT EYE Attaching parts for EA1.11.1231 :-	1	-	KA5/20
A27CP	. . . Nut, 2BA	1	-	KA5/56
EA1.11.1467	. . . BRACKET Attaching parts for EA1.11.1467 :-	1	L40	KA5/45
A25/1C	. . . Bolt, 2BA	2	-	KA5/46
SP47C	. . . Washer, 2BA	2	-	KA5/46A
EA1.11.1673	. . . BUSH	1	-	KA5/47
EA1.11.1677	. . . BUSH	1	-	KA5/48
EA1.11.2621	. . . SHIM	1	-	KA5/49
A25/7J	. . . Bolt, 3/8" BSF	2	-	KA5/14
A25/7L	. . . Bolt, 7/16" BSF	2	-	KA5/15
A25/4E	. . . Bolt, 1/2" BSF	6	-	KA5/18
EA1.11.934	. . . BRACKET, HINGE, AFT, STARBOARD Spares for :-	1	-	KA5/50
EA1.11.927	. . . BEARING, journal	1	DTD197	KA5/43
EA1.11.929	. . . BEARING, journal	1	DTD197	KA5/44
EA1.11.1231	. . . BOLT EYE Attaching parts for EA1.11.1231 :-	1	-	KA5/20
A27CP	. . . Nut, 2BA	1	-	KA5/56
EA1.11.1468	. . . BRACKET Attaching parts for EA1.11.1468 :-	1	L40	KA5/51
A25/1C	. . . Bolt, 2BA	2	-	KA5/46
SP47C	. . . Washer, 2BA	2	-	
EA1.11.1673	. . . BUSH	1	-	KA5/47
EA1.11.1677	. . . BUSH	1	-	KA5/48
EA1.11.2621	. . . SHIM	1	-	KA5/49
A25/7J	. . . Bolt, 3/8" BSF	2	-	KA5/14
A25/7L	. . . Bolt, 7/16" BSF	2	-	KA5/15
A25/4E	. . . Bolt, 1/2" BSF	6	-	KA5/18

## CENTRE FUSELAGE STRUCTURE

Part Number	Description	No. Off	Mati. Spec.	Plate No.
EA1.11.935	BRACKET, HINGE, FWD., PORT Spares for :-	1	-	KA5/52
EA1.11.929	BEARING, journal	1	DTD197	KA5/44
EA1.11.931	BEARING, journal	1	DTD197	KA5/53
EA1.11.1231	BOLT EYE	1	-	KA5/20
A27CP	Attaching parts for EA1.11.1231 :- Nut, 2BA	1	-	KA5/56
EA1.11.1467	BRACKET Attaching parts for EA1.11.1467 :-	1	L40	KA5/54
A25/3C	Bolt, 2BA	2	-	KA5/55
A27CP	Nut, 2BA	2	-	KA5/56
EA1.11.1675	BUSH	1	-	KA5/57
EA1.11.1678	BUSH	1	-	KA5/58
EA1.11.3197	SHIM	1	-	KA5/59
EA1.11.1601	Attaching parts for EA1.11.935 :- Bolt, special	2	-	KA5/8
A25/4C	Bolt, 2BA	6	-	KA5/10
A25/6G	Bolt, 5/16" BSF	2	-	KA5/16
EA1.11.936	BRACKET, HINGE, FWD., STARBOARD Spares for :-	1	-	KA5/60
EA1.11.929	BEARING, journal	1	DTD197	KA5/44
EA1.11.931	BEARING, journal	1	DTD197	KA5/53
EA1.11.1231	BOLT EYE	1	-	KA5/20
A27CP	Attaching parts for EA1.11.1231 :- Nut, 2BA	1	-	KA5/56
EA1.11.1468	BRACKET Attaching parts for EA1.11.1468 :-	1	L40	KA5/61
A25/3C	Bolt, 2BA	2	-	KA5/55
A27CP	Nut, 2BA	2	-	KA5/56
EA1.11.1675	BUSH	1	-	KA5/57
EA1.11.1678	BUSH	1	-	KA5/58
EA1.11.3197	SHIM	1	-	KA5/59
EA1.11.1601	Attaching parts for EA1.11.936 :- Bolt, special	2	-	KA5/8
A25-4C	Bolt, 4BA	6	-	KA5/10
A25/6G	Bolt, 5/16" BSF	2	-	KA5/16
EA1.11.2563	DOOR	1	-	
EA1.11.1441	FLAP, roller, spring, hinged clearance	1	-	
EA1.11.1607	HINGE, flap roller clearance	1	-	KA6/1
EA1.11.2567	HINGE	1	-	KA6/2
EA1.11.1393	HINGE, aft, assembly, port	1	-	KA6/3
EA1.11.1394	HINGE, aft, assembly, starboard	1	-	KA6/5
EA1.11.1385	HINGE, fwd., assembly, port	1	-	KA6/4
EA1.11.1386	HINGE, fwd., assembly, starboard	1	-	
AGS2001C1-66	NUT, 2BA	AR	-	KA6/6
AGS2001J1	NUT, 3/8" BSF	1	-	KA6/7
EA1.11.2613	PLATE, stop Attaching parts for EA1.11.2613 :-	1	-	
AS1882/1B	Bolt, 2BA	2	-	KA6/8
A27BP	Nut, 4BA	2	-	KA6/9
AGS162B	Washer, 4BA	2	-	

## FUSELAGE

## CENTRE FUSELAGE STRUCTURE

Part Number	Description	No. Off	Mati. Spec.	Plate No.
R.220/9PS	. . . PIN	80	-	
EEAS41-5	. . . PIN	AR	-	
EEAS41/3	. . . PIN	AR	-	
L4PS	. . . PIN	3	-	
EA1.11.3197	. . . SHIM	1	-	
A31824	. . . SCREW	12	-	
4R X 1/2"	. . . SCREW, P.K.	6	-	
6R X 1/2"	. . . SCREW, P.K.	24	-	
EA3.11.117	. . . SEAL (Pre-Mod 5282)	1	-	KA6/10
EA3.11.5191	. . . SEAL, 'P' (Mod 5282) (Make from EEAS845, 26FZ/6147756)	1	Neoprene DTD 5514	
EA3.11.119	. . . SEAL (Pre-Mod 5282)	1	-	KA6/11
EA3.11.5193	. . . SEAL, 'P' (Mod 5282) (Make from EEAS845, 26FZ/6147756) Attaching parts for seals :-	1	Neoprene DTD 5514	
AGS2001A1	. . . Nut, 6BA	4	-	KA6/13
A33A16	. . . Screw	4	-	KA6/14
EA3.11.121	. . . SEAL (Pre-Mod 5282)	1	-	KA6/12
EA3.11.5195	. . . SEAL, 'P' (Mod 5282) L S (Make from EEAS845, 26FZ/6147756) Attaching parts for EA3.11.5195 and EA3.11.121 :-	1	Neoprene DTD 5514	
AGS253/38	. . . Screw	QR	-	KA6/15
EA1.11.1309	. . . SPRING, leaf, outboard	1	Spr. Steel	KA6/16
EA1.11.1311	. . . SPRING, leaf, inboard	1	Spr. Steel	KA6/17
EA1.11.1205	. . . STAY, main hinge, support	1	-	KA6/18
EA1.11.1207	. . . STAY, main hinge, support	1	-	KA6/19
EA1.11.1177	. . . STAY, connection, fwd., port	1	-	KA6/20
EA1.11.1178	. . . STAY, connection, fwd., starboard	1	-	
A25/3C	. . . Bolt, 2BA Attaching parts for EA1.11.1177 and EA1.11.1178 :-	2	-	KA6/21
EA1.11.1179	. . . STAY, connection, aft, port	1	-	KA6/22
EA1.11.1180	. . . STAY, connection, aft, starboard	1	-	
A25/4C	. . . Bolt, 2BA Attaching parts for EA1.11.1179 and EA1.11.1180 :-	2	-	KA6/23
EA1.11.2619	. . . STRIP, retaining	1	-	KA6/24
EA1.11.1713	. . . STRIP, capping, port	1	-	KA6/25
EA1.11.1714	. . . STRIP, capping, starboard	1	-	
EA1.11.1715	. . . STRIP, capping, port	1	-	KA6/26
EA1.11.1716	. . . STRIP, capping, starboard	1	-	
EA1.11.1327	. . . STUD	1	-	KA6/27
EA1.11.2919	. . . WASHER, saddle	2	-	
AGS162B	. . . WASHER	24	-	
AGS162D	. . . WASHER	4	-	
AGS162F	. . . WASHER	1	-	
EB6.11.5051	. . . GIRDER, FLOOR, AT FRAME 27, MODIFICATIONS FOR BOMB BAY AIR DEFLECTOR Spares for :-	-	-	
EB6.11.5057	. . . BLOCK, front, port, deflector pick-up point at frame 27A	1	DTD683	KA7/1
EB6.11.5058	. . . BLOCK, front, starboard, deflector pick-up point at frame 27A Attaching parts for EB6.11.5057 and 5058 :-	1	DTD683	
EA3.11.677	. . . Bolt, special	10	-	KA7/2
A25/1C	. . . Bolt, 2BA	4	-	KA7/3
A25/8C	. . . Bolt, 2BA	3	-	KA7/4
A25/10C	. . . Bolt, 2BA	2	-	KA7/5
A25/11C	. . . Bolt, 2BA	2	-	KA7/6
A25/12C	. . . Bolt, 2BA	3	-	KA7/7
A25/13C	. . . Bolt, 2BA	1	-	KA7/8
A25/14C	. . . Bolt, 2BA	3	-	KA7/9
AGS2002C1	. . . Nut, 2BA	13	-	KA7/10
EA1.12.391	. . . Packing, taper	12	-	KA7/11
AGS2035C	. . . Washer	4	-	KA7/30
SP15C	. . . Washer	15	-	KA7/31
SP47C	. . . Washer	1	-	KA7/32

FUSELAGE  
CENTRE FUSELAGE STRUCTURE

Part Number	1 2 3 4 5 6	Description	No. Off	Mtl. Spec.	Plate No.
EB6.11.5055		BLOCK, REAR, PORT, DEFLECTOR PICK-UP POINT AT FRAME 27B, ASSEMBLY Spares for :-	1	-	KA7/12
EB6.11.5103		BLOCK	1	DTD683	KA7/13
EB6.11.5105		PLATE	1	DTD683	KA7/14
EB6.11.5056		BLOCK, REAR, STARBOARD, DEFLECTOR PICK-UP POINT AT FRAME 27B, ASSEMBLY Spares for :-	1	-	KA7/15
EB6.11.5104		BLOCK	1	DTD683	KA7/16
EB6.11.5105		PLATE Attaching parts for EB6.11.5103, EB6.11.5104 and EB6.11.5105 :-	1	DTD683	KA7/17
AS1242/9C		Bolt, 2BA	5	-	KA7/18
ASG2002C1		Nut, 2BA	5	-	KA7/19
SP15C		Washer Attaching parts for EB6.11.5055 and EB6.11.5056 :-	5	-	KA7/31
EA9.11.987		Bolt, special	5	-	KA7/20
A25/1C		Bolt, 2BA	3	-	KA7/21
A25/10C		Bolt, 10C	6	-	KA7/22
A25/11C		Bolt, 2BA	3	-	KA7/23
AGS2002C1		Nut, 2BA	8	-	KA7/24
AGS2035C		Washer	3	-	KA7/33
SP15C		Washer	9	-	KA7/31
SP47C		Washer	1	-	KA7/32
EB6.11.5063		BLOCK, tapped, port, frame 27A	1	-	KA7/25
EB6.11.5064		BLOCK, tapped, starboard, frame 27A	1	-	
EB6.11.5065		BLOCK, tapped, port, frame 27B	1	-	KA7/26
EB6.11.5066		BLOCK, tapped, starboard, frame 27B Attaching parts for EB6.11.5063, EB6.11.5064, EB6.11.5065 and EB6.11.5066 :-	1	-	
A25/10C		Bolt, 2BA	1	-	KA7/27
EB6.11.5113		Shim (if required, trim block to suit)	1	-	KA7/28
SP47C		Washer	1	-	KA7/32
EB6.11.5119		SHIM, if required to obtain correct distance between front and rear block for air deflector connecting link (true distance 3.65"). This shim is fitted between EB6.11.5103 or EB6.11.5104 and EB6.11.5105	2	-	
EG4.11.215		KEEL UNIT, ASSEMBLY (MOD 4799) Spares for :-	-	-	
EA1.11.2929		ANGLE, wing attachment, port	1	L72	KA8/1
EA1.11.3183		ANGLE, wing attachment, starboard	1	L72	KA8/2
EA1.11.1007		BRACKET, hinge, undercarriage door mounting Attaching parts for EA1.11.1007 :-	2	-	KA9B/1
A25/6E		Bolt, 1/4" BSF	1	-	KA9B/3
A25/3C		Bolt, 2BA	4	-	KA9B/4
AS1248/3C		Bolt, 2BA	1	-	KA9B/5
A27CP		Nut, 2BA	4	-	KA9B/6
AGS2001C1/66		Nut, 2BA	1	-	KA9B/7
A27EP		Nut, 1/4" BSF	1	-	KA9B/8
SP15E		Washer	1	-	KA9B/9
SP15C		Washer	5	-	KA9B/10
EA1.11.1011		BRACKET, hinge, undercarriage door mounting aft, port	1	DTD546	KA9B/11
EA1.11.1012		BRACKET, hinge, undercarriage door mounting aft, starboard Attaching parts for EA1.11.1011 or EA1.11.1012 :-	1	DTD546	KA9B/12
A25/3C		Bolt, 2BA	2	-	KA9B/4
A25/4C		Bolt, 2BA	1	-	KA9B/13
A27CP		Nut, 2BA	3	-	KA9B/6
SP15C		Washer	3	-	KA9B/10

## CENTRE FUSELAGE STRUCTURE

Ref. No.	Part No.	Description	No. off	Mati. Spec.	Cl. of Equip M.R. L.M.	Plate No.
7344	EA1.11.1009	BRACKET, mounting, undercarriage door operating valve	2	—	C/MR	KA9B/2
		Attaching parts for EA1.11.1009:—				
28D/9133012	A25/3C	Bolt, 2BA	4	—	C	KA9B/4
28M/9403520	A27CP	Nut, 2BA	4	—	C	KA9B/6
28W/9419475	SP15C	Washer	4	—	C	KA9B/10
	EG4.81.1153	BRACKET, PLUG AND ACCESS HOLE IN FUSELAGE AT FRAMES 22-23, PORT, INSTALLATION	—	—	—	KA9B/14
		Spares for:—				
	EG4.81.1155	BRACKET, plug, mounting	1	—	—	KA9B/15
	EG4.11.157	BRACKET, cord attachment	1	—	—	KA9B/16
	EG4.11.155	PLATE, reinforcing	1	—	—	KA9B/17
	EG4.81.1154	BRACKET, PLUG AND ACCESS HOLE IN FUSELAGE AT FRAMES 22-23, STARBOARD, INSTALLATION	—	—	—	KA9B/18
		Spares for:—				
	EG4.81.1156	BRACKET, plug mounting	1	—	—	KA9B/19
	EG4.11.157	BRACKET, cord attachment	1	—	—	KA9B/16
	EG4.11.156	PLATE, reinforcing	1	—	—	KA9B/20
3082	EA1.11.427	DOOR, ACCESS, ACCUMULATOR, ASSEMBLY (Supplied to Part No. EA3.00.153 for spares purposes)	1	—	B	KA8/3
		Spares for:—				
259	EA1.11.463	CLIP, door stay stowage	2	Spr. Steel	C	KA8/4
	FAIREY					
1495	FS400A	FASTENER, door	3	—	C	KA8/5
4152	EA1.11.2793	HINGE, door	1	—	C/MR	KA8/6
1569	EA1.11.2799	SEALING, door	1	—	C	KA8/7
260	EA1.11.429	STAY, SIDE DOOR, ASSEMBLY	2	—	B	KA8/7
		Spares for:—				
12081	EA1.11.441	BOLT, eye	1	S1	C	KA8/8
3684	EA1.11.445	FORK, stay door support	1	S1	C	KA8/9
		Attaching parts for EA1.11.429:—				
28M/9403520	A27CP	Nut, 2BA	1	—	C	KA8/10
28W/9419402	SP13C	Washer, 2BA	1	—	C	KA8/11
42338	EA1.11.2801	STRIP, sealing	2	L72	LM	KA8/12
5347	EA1.57.1319	FAIRLEAD, for air pipes at frame 22	2	BS2572	C/MR	KA8/13
		Attaching parts for EA1.57.1319:—				
28D/1008149	A25/2B	Bolt, 4BA	4	—	C	KA8/14
28M/1278189	AGS2001B1	Nut, 4BA	4	—	C	KA8/15
28W/9419474	SP15B	Washer	4	—	C	KA8/16
5346	EA1.57.1325	FAIRLEAD, for fuel pipes	2	BS2572	C/MR	KA8/17
		Attaching parts for EA1.57.1325:—				
28D/1200119	A25/4C	Bolt, 2BA	4	—	C	KA8/18
28M/1012015	AGS2001C1/66	Nut, 2BA	4	—	C	KA8/19
28W/9419402	SP13C	Washer	4	—	C	KA8/20
28W/9419404	SP16C	Washer	4	—	C	KA8/21

**FUSELAGE**  
**CENTRE FUSELAGE STRUCTURE**

Ref. No.	Part No.	Description	No. off	Matl. Spec.	Cl. of Equip M.R. L.M.	Plate No.
	EG4.11.217	KEEL, UNIT STRUCTURE, ASSEMBLY (MOD 4799)	—	—	—	
7413	EA1.11.317	Spares for:— BEAM, bomb	1	—	A/MR	KA9A/1
28D/1213581	A25/6L	Attaching parts for EA1.11.317:— Bolt, 7/16" BSF	4	—	C	KA9A/2
7425	EA1.11.3213	Bolt, special, 3/4" BSF	2	MS	C/MR	KA9A/3
28M/1207755	A27LT	Nut, 7/16" BSF	4	—	C	KA9A/4
28M/4095935	A27ST	Nut, 3/4" BSF	2	—	C	KA9A/5
28W/9419490	SP16L	Washer	4	—	C	KA9A/6
28W/9419494	SP16S	Washer	2	—	C	KA9A/7
7507	EA1.11.1769	BEAM, floor, between frames 14 and 15, port	1	—	B/MR	KA9A/8
7508	EA1.11.1777	BEAM, floor, between frames 14 and 15, starboard	1	—	B/MR	KA9A/9
	EG4.11.219	BULKHEAD, REAR BOMB BAY (MOD 4799) ASSEMBLY	1	—	A/MR	
38429	EB6.11.2339	Spares for:— COMPASS, ALIGNMENT, POINT	—	—	—	
25352	EA9.11.847	Spares for:— BLOCK, attachment	1	L65 or L40	—	KAB/23
28D/9133012	A25/3C	Attaching parts for EA9.11.847:— Bolt, 2BA	2	—	C	KAB/24
28M/1012015	AGS2001C1/66	Nut, 2BA	2	—	C	KAB/25
28W/9419475	SP15C	Washer, 2BA	2	—	C	KAB/26
	EA9.11.3129	DOOR, ACCESS, BOMB BAY INSPECTION. ASSEMBLY	—	—	—	
12229	EA3.11.859	Spares for:— BRACKET, hinge, L.H.	1	DTD683	C	KAB/27
12230	EA3.11.860	BRACKET, hinge, R.H.	1	DTD683	C	KAB/28
28D/1008149	A25/2B	Attaching parts for EA3.11.859 and EA3.11.860:— Bolt, 4BA	2	—	C	KAB/29
28M/1278189	AGS2001B1	Nut, 4BA	2	—	C	KAB/30
28W/9419465	SP13B	Washer, 4BA	2	—	C	KAB/31
12227	EA3.11.855	DOOR ACCESS, ASSEMBLY	1	—	C	KAB/32
28FP/9713920	AGS2105/411	Spares for:— PIN, "pip", quick release	1	—	C	KAB/33
12228	EA3.11.867	RING, sealing	1	Neo-K-Tex	C	KAB/34
23028	EA3.11.861	SHIM, access, door hinge	1	Lam. Alum.	—	KAB/35
28P/9130722	SP4Y/B2	Attaching parts for EA3.11.855:— Pin, clevis	2	—	C	KAB/36
	SCC.79212	FAIRLEAD, INSTALLATION (SRIM.3533) (MOD 4799)	—	—	—	
	SCC.79212/1	Spares for:— FAIRLEAD, assembly (Make from Ref. 5F/4342045)	1	—	—	
28D/9133012	A25/3C	Attaching parts for SCC.79212/1:— Bolt, 2BA	6	—	C	
28M/1012015	AGS2001C1/66	Nut, 2BA	6	—	C	
28W/9419402	SP13C	Washer	6	—	C	
	SCC.79212/2	FAIRLEAD, assembly (Make from Ref. 5F/9400963)	1	—	—	
28D/9133012	A25/3C	Attaching parts for SCC.79212/2:— Bolt, 2BA	4	—	C	
28M/1012015	AGS2001C1/66	Nut, 2BA	4	—	C	
28W/9419402	SP13C	Washer	4	—	C	

## CENTRE FUSELAGE STRUCTURE

Part Number	Description						No. Off	Mati. Spec.	Plate No.
	1	2	3	4	5	6			
EA9.11.3203	.	.	.	.	.	LUG, deflector pick-up	2	L65	KA9A/10
	.	.	.	.	.	Attaching parts for EA9.11.3203 :-			
A25/5C	.	.	.	.	.	Bolt, 2BA	2	-	KA9A/11
AS1242/4C	.	.	.	.	.	Bolt, 2BA	6	-	KA9A/12
A27CP	.	.	.	.	.	Nut, 2BA	2	-	KA9A/13
AGS2001C1/66	.	.	.	.	.	Nut, 2BA	2	-	KA9A/14
EEAS238/2B	.	.	.	.	.	Washer	6	-	KA9A/15
EA1.11.965	.	.	.	.	.	LUG, attachment, port	1	-	
EA1.11.966	.	.	.	.	.	LUG, attachment, starboard	1	-	
EG4.11.221	.	.	.	.	.	BULKHEAD, FRAME 13, ASSEMBLY IN BOMB BAY (MOD 4799) (Make from Part No. EA3.11.17 Ref. 3502) Spares for :-	1	-	
EG4.81.693	.	.	.	.	.	FAIRLEAD	1	-	
	.	.	.	.	.	Attaching parts for EG4.81.693 :-			
A25/4C	.	.	.	.	.	Bolt, 2BA	4	-	
AGS2001C1/66	.	.	.	.	.	Nut, 2BA	4	-	
SP15C	.	.	.	.	.	Washer	4	-	
EA1.11.199	.	.	.	.	.	FRAME, ACCUMULATOR DOOR, ASSEMBLY Spares for :-	1	-	
EA3.11.135	.	.	.	.	.	BRACKET	1	L72	KA8/22
EA1.11.51	.	.	.	.	.	FRAME, SPAR, CENTRE SECTION, ASSEMBLY Spares for :-	1	-	
EA1.11.2359	.	.	.	.	.	SPAR, CENTRE SECTION, ASSEMBLY Spares for :-	1	-	KA8/37
EA1.11.1789	.	.	.	.	.	BUSH, lower, inboard	4	-	KA8/38
EA1.11.1787	.	.	.	.	.	BUSH, lower, outboard	4	-	KA8/39
EA1.11.1793	.	.	.	.	.	BUSH, upper, inboard	4	-	KA8/40
EA1.11.1791	.	.	.	.	.	BUSH, upper, outboard	4	-	KA8/41
EA1.11.671	.	.	.	.	.	FRAME, identification lamp window	1	-	KA9A/16
EA1.11.629	.	.	.	.	.	GLASS, camera frame, 10% x 1/4"	1	Glass	KA9A/17
EA1.11.547	.	.	.	.	.	PLATE, cover, camera window	1	-	KA9A/18
	.	.	.	.	.	Attaching parts for EA1.11.547 :-			
AS1248/1C	.	.	.	.	.	Bolt, 2BA	4	-	KA9A/19
AS1248/2C	.	.	.	.	.	Bolt, 2BA	4	-	KA9A/20
EA1.11.3523	.	.	.	.	.	RING, reinforcing	1	L72	KA9A/21
EA1.11.537	.	.	.	.	.	RING, reinforcing	1	-	KA9A/22
EA1.11.541	.	.	.	.	.	RING, retaining	1	L72	KA9A/23
	.	.	.	.	.	Attaching parts for EA1.11.541 :-			
AS1246/1B	.	.	.	.	.	Bolt, 4BA	10	-	KA9A/24
SP13B	.	.	.	.	.	Washer, 4BA	10	-	KA9A/25
EA1.11.673	.	.	.	.	.	STRIP, retaining, identification lamp window	1	L72	KA9A/26
	.	.	.	.	.	Attaching parts for EA1.11.673 :-			
EEAS1/2C	.	.	.	.	.	Screw, 2BA	24	S96	KA9A/27
EA1.11.865	.	.	.	.	.	STRUT, support, bomb door track at frame 22	2	-	KA8/42
	.	.	.	.	.	Attaching parts for EA1.11.865 :-			
A25/7E	.	.	.	.	.	Bolt, 1/2" BSF	1	-	KA8/43
A25/4G	.	.	.	.	.	Bolt, 5/16" BSF	2	-	KA8/44
A27EP	.	.	.	.	.	Nut, 1/2" BSF	1	-	KA8/45
A27GP	.	.	.	.	.	Nut, 5/16" BSF	2	-	KA8/46
SP15E	.	.	.	.	.	Washer	1	-	KA8/47
SP15G	.	.	.	.	.	Washer	2	-	KA8/48

FUSELAGE  
CENTRE FUSELAGE STRUCTURE

Part Number	Description	No. Off	Mati. Spec.	Plate No.
EA1.11.801	. . . TRACK, bomb door main spar, port	1	—	KA8/49
EA1.11.802	. . . TRACK, bomb door main spar, starboard	1	—	KA8/50
AS1242/2E	. . . Bolt, 1/4" BSF	1	—	KA8/51
A25/3E	. . . Bolt, 1/4" BSF	2	—	KA8/52
A25/3G	. . . Bolt, 5/16" BSF	1	—	KA8/53
A25/4G	. . . Bolt, 5/16" BSF	5	—	KA8/54
A25/6G	. . . Bolt, 5/16" BSF	1	—	KA8/55
A25/10G	. . . Bolt, 5/16" BSF	2	—	KA8/56
A27GP	. . . Nut, 5/16" BSF	3	—	KA8/57
SP15G	. . . Washer	4	—	KA8/58
SP47E	. . . Washer	2	—	KA8/59
SP47G	. . . Washer	5	—	KA8/60
EA1.11.861	. . . U-PIECE	2	—	KA8/61
A25/14G	. . . Bolt, 5/16" BSF	1	—	KA8/62
A27GP	. . . Nut, 5/16" BSF	2	—	KA8/63
SP15G	. . . Washer	2	—	KA8/68
EA1.11.863	. . . Washer, special	1	—	KA8/64
EA1.11.669	. . . WINDOW, identification lamp	1	DTD399	KA9A/28
EG5.11.17	. . . MOUNTING, REAR SPIGOT, FRAME 30 INSTALLATION (MOD 3998)	—	—	
EG5.11.21	. . . BLOCK, spigot, assembly	1	L65	KA9A/29
EG5.11.27	. . . WASHER	2	—	KA9A/30
A25/18C	. . . Bolt, 2BA	1	—	KA9A/31
AGS2001C1/66	. . . Nut, 2BA	1	—	KA9A/32
SP13C	. . . Washer, 2BA	1	—	KA9A/33
EG5.11.19	. . . HOUSING, rear spigot and block	1	L65	KA9A/34
EG5.11.29	. . . PLUG, blanking	1	S80	KA9A/35
EEAS28/33FR	. . . Washer	1	—	KA9A/36
EB6.81.4101	. . . PANEL, ACCESS, ARMAMENT SAFETY BREAK, BETWEEN FRAMES 12 AND 13, STARBOARD SIDE, ASSEMBLY	—	—	
EB6.81.10161	. . . PANEL, ACCESS, ASSEMBLY	1	—	
Dzus A4/30	. . . FASTENER	8	—	
Dzus GA4/250	. . . GROMMET	8	—	
Dzus S4/200	. . . SPRING	8	—	
EA1.11.3355	. . . PLUG, sealing	4	Sorbo	KA9B/21
EEAS1/1C	. . . SCREW, 2BA	9	S96	
EEAS1/31/2C	. . . SCREW, 2BA	92	S96	
EA3.11.121	. . . STRIP, sealing 22' 3" long (Make from Ref. 4431) (Pre-Mod 5282)	1	Synthetic Rubber	
EA3.11.5195	. . . STRIP, sealing (Mod 5282) (Make from EEAS 845, 26FZ/6147756)	1	Neoprene DDT 5514	
EA3.11.123	. . . STRIP, sealing 62" long (Make from Ref. 4431) (Pre-Mod 5282)	1	Synthetic Rubber	
EA3.11.5197	. . . STRIP, sealing (Mod 5282) (Make from EEAS 845, 26FZ/6147756)	1	Neoprene DDT 5514	
EA3.11.125	. . . STRIP, sealing, 51 1/2" long (Make from Ref. 4431) (Pre-Mod 5282)	1	Synthetic Rubber	
EA3.11.5199	. . . STRIP, sealing (Mod 5282) (Make from EEAS 845, 26FZ/6147756)	1	Neoprene DDT 5514	
EEAS27/46FR	. . . WASHER, 16 SWG	4	L72	
EEAS27/61FR	. . . WASHER, 16 SWG	3	L72	
EEAS27/34GR	. . . WASHER, 14 SWG	2	L72	
EEAS28/4GR	. . . WASHER, 14 SWG	14	L72	

## CENTRE FUSELAGE STRUCTURE

Part Number	Description	No. Off	Mati. Spec.	Plate No.						
					1	2	3	4	5	6
EA1.11.941	. LINK, ACTUATING CONNECTION, BETWEEN HYDRAULIC JACK AND BOMB DOOR HINGE BRACKET FORWARD END, ASSEMBLY Spares for :-	2	-	KA3/11						
EA1.11.943	. . FITTING, fork-end	1	DTD683	KA3/12						
EA1.11.945	. . FITTING, fork-end, adjustable	1	DTD683	KA3/13						
EEAS37/14A	. . NIPPLE, 4BA	16	S11	KA3/14						
A27QT	. . NUT, 5/8" BSF	1	-	KA3/15						
EA1.11.1079	. . SLEEVE	1	DTD683	KA3/16						
EEAS38/2A	. . SPOKE, 4BA	8	-	KA3/17						
AGS899/15	Attaching parts for EA1.11.941 :- . Collar	1	-	KA3/18						
EA2.11.1301	. Pin, clevis (Alternative to EA1.11.1087)	1	S82	KA3/19						
EA2.11.1087	. Pin, clevis (Alternative to EA1.11.1301)	1	S11							
AVDEL										
S5260/916	. Pin, double lock, quick release 9/16" dia	1	-	KA3/20						
SP90H9	. Pin, split	1	-	KA3/21						
EA2.11.881	. Washer, spherical (Alternative to EA1.11.1095)	2	S82	KA3/22						
EA1.11.1095	. Washer, spherical (Alternative to EA2.11.881)	2	-							
EA1.11.817	. LINK, ACUATING CONNECTION, BETWEEN HYDRAULIC JACK AND BOMB DOOR HINGE BRACKET, REAR END ASSEMBLY Spares for :-	2	-	KA4/1						
EA1.11.819	. . FITTING, fork-end	1	DTD683	KA4/2						
EA1.11.821	. . FITTING, fork-end, adjustable	1	DTD683	KA4/3						
EEAS37/15A	. . NIPPLE, 4BA	16	S11	KA4/4						
EA1.11.1083	. . NUT, special, 7/8" BSF	1	S1	KA4/5						
EA1.11.1081	. . SLEEVE	1	DTD683	KA4/6						
EEAS38/2A	. . SPOKE, 4BA	8	S11	KA4/4A						
AGS899/19	Attaching parts for EA1.11.817 :- . Collar	1	-	KA4/7						
EA1.11.1109	. Pin, clevis	1	-	KA4/8						
AVDEL										
S5260/1218	. Pin, double lock, quick release, 3/4" dia	1	-	KA4/9						
SP90K13	. Pin, split, 3/16" dia	1	-	KA4/10						
EA1.11.1101	. Washer, spherical	2	S82	KA4/11						
EA1.11.3261	. LINK, connecting, arc guide, between hydraulic jack and bearing anchor plate, forward end Attaching parts for EA1.11.3261 :-	1	-	KA3/23						
EA1.11.1091	. Collar	1	-	KA3/29A						
EA1.11.3245	. Collar	1	-	KA3/24						
EA1.11.1587	. Pin, clevis	1	-	KA3/29						
SP4Y/R29	. Pin, clevis	1	-	KA3/25						
SP90G8	. Pin, split	1	-	KA3/29B						
SP90H9	. Pin, split	1	-	KA3/26						
SP15Q	. Washer	2	-	KA3/27						
EA1.11.937	. LINK, connecting arc guide between jack and bearing anchor plate, rear end Attaching parts for EA1.11.937 :-	1	L40	KA4/12						
EA1.11.1105	. Collar	1	DTD126A	KA4/13						
AGS899/12	. Collar	1	-	KA4/14						
SP4Y/R33	. Pin, clevis	1	-	KA4/15						
EA1.11.1103	. Pin, clevis	1	S11	KA4/16						
SP90G8	. Pin, split, 1/8" dia	1	-	KA4/17						
SP90H9	. Pin, split, 5/32" dia	1	-	KA4/18						
SP15Q	. Washer	2	-							

## FUSELAGE

## CENTRE FUSELAGE STRUCTURE

Part Number	Description	No. Off	Matl. Spec.	Plate No.	
					1
EA1.11.1087	. PIN, special, hydraulic, jack pick-up bracket connection, forward end Attaching parts for EA1.11.1087 :-	1	S11	KA3/28	
AGS899/12	. Collar	1	-	KA3/31	
SP90G8	. Pin, split	1	-	KA3/32	
EA1.11.1107	. PIN, special, hydraulic, jack pick-up bracket connection, rear end Attaching parts for EA1.11.1107 :-	1	S11		
AGS899/18	. Collar	1	-		
SP90H14	. Pin, split	1	-		
EA1.11.9	. ROOF UNIT, ASSEMBLY Spares for :-	-	-		
EA3.11.1181	. . . ACCESS TO VENT CONNECTIONS ON NO. 3 FUEL AT FRAME 22, ASSEMBLY Spares for :-	-	-		
EA3.11.1149	. . . PANEL Attaching parts for EA3.11.1149 :-	1	L73	KA10/1	
EEAS1/1½C	. . . Screw, 2BA	28	S96	KA10/2	
EEAS1/2½C	. . . Screw, 2BA	4	S96	KA10/3	
EEAS1/2½E	. . . Screw, ½" BSF	8	S96	KA10/4	
EA1.11.3173	. . . ANGLE, landing, wing, port, centre	1	-	KA10/5	
EA1.11.3174	. . . ANGLE, landing, wing, starboard, centre	1	-		
EA1.11.3175	. . . ANGLE, landing, wing, port, forward	1	L72	KA10/6	
EA1.11.3176	. . . ANGLE, landing, wing, starboard, forward Attaching parts for EA1.11.3175 and EA1.11.3176 :-	1	L72		
A25/1C	. . . Bolt, 2BA	16	-	KA10/7	
AGS2001C1/66	. . . Nut, 2BA	16	L72	KA10/8	
EEAS15/99FR	. . . Packing, strip	1	L72	KA10/9	
EEAS27/16FR	. . . Washer	1	L72		
EEAS27/22FR	. . . Washer	1	L72		
EEAS27/34FR	. . . Washer	1	L72		
EEAS27/61FR	. . . Washer	8	L72		
EA1.11.1023	. . . BRACKET, jack mounting, port	1	-	KA10/10	
EA1.11.1024	. . . BRACKET, jack mounting, starboard Attaching parts for EA1.11.1023 or EA1.11.1024 :-	1	-	KA10/11	
EEAS222/3C	. . . Bolt, 2BA, (Make from A25/3C)	4	-	KA10/12	
EA1.11.3323	. . . BRACKET, wing to fuselage attachment, frame 17, port	1	S69	KA10/13	
EA1.11.3324	. . . BRACKET, wing to fuselage attachment frame 17, starboard Attaching parts for EA1.11.3323 or EA1.11.3324 :-	1	S96	KA10/14	
A25/4C	. . . Bolt, 2BA	2	-	KA10/15	
A25/5C	. . . Bolt, 2BA	6	-	KA10/16	
EA1.57.135	. . . FITTING, drain outlet	3	-	KA10/17	
EA1.11.771	. . . PLATE, attachment, filler cap Attaching parts for EA1.11.771 :-	3	L73	KA10/18	
EEAS1/1C	. . . Screw, 2BA	32	S96	KA10/19	
EA1.11.1655	. . . PLATE, cover, fuel tank nitrogen and vent system couplings between frames 16 and 17 Attaching parts for EA1.11.1655 :-	1	-	KA10/20	
EEAS1/1½C	. . . Screw, 2BA	24	S96	KA10/21	
EA1.11.1657	. . . PLATE, cover, fuel tank nitrogen and vent system couplings between frames 12 and 13 Attaching parts for EA1.11.1657 :-	1	-	KA10/23	
EEAS1/1C	. . . Screw, 2BA	24	S96	KA10/22	
EA1.11.1651	. . . PLATE, cover, fuel tank nitrogen and vent system couplings between frames 20 and 21 Attaching parts for EA1.11.1651 :-	1	-	KA10/24	
EEAS1/1½C	. . . Screw, 2BA	24	S96	KA10/25	
EA1.11.1653	. . . PLATE, cover, fuel tank nitrogen and vent system couplings between frames 17 and 18 Attaching parts for EA1.11.1653 :-	1	-	KA10/26	
EEAS1/1½C	. . . Screw, 2BA	24	S96	KA10/27	
EA1.11.1085	. SLEEVE, bearing, main bomb door pivot	2	S11	KA3/30	
EA1.11.1085	. SLEEVE, bearing, main bomb door pivot	2	S11	KA4/19	

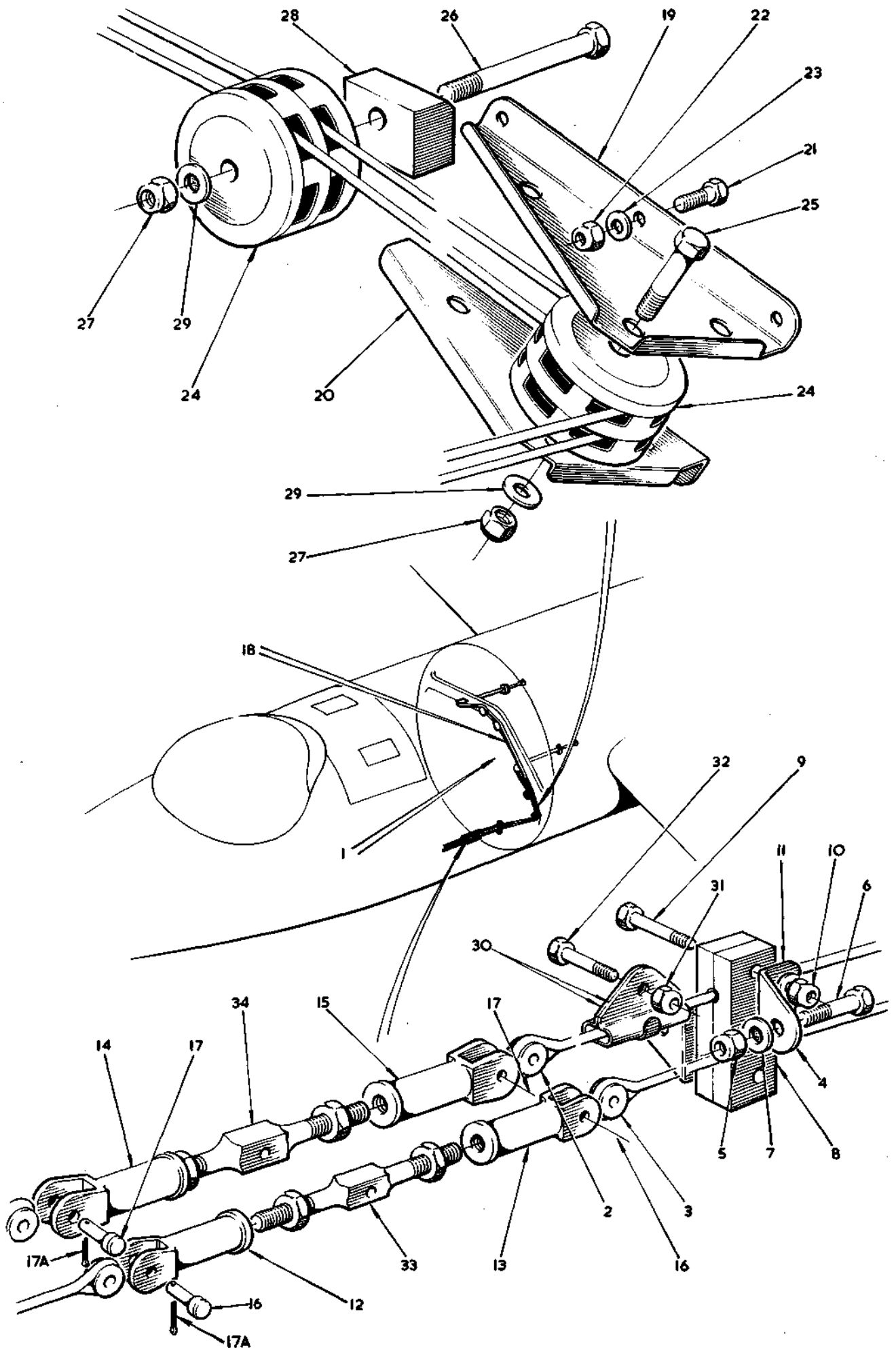


FIG.1 CENTRE FUSELAGE

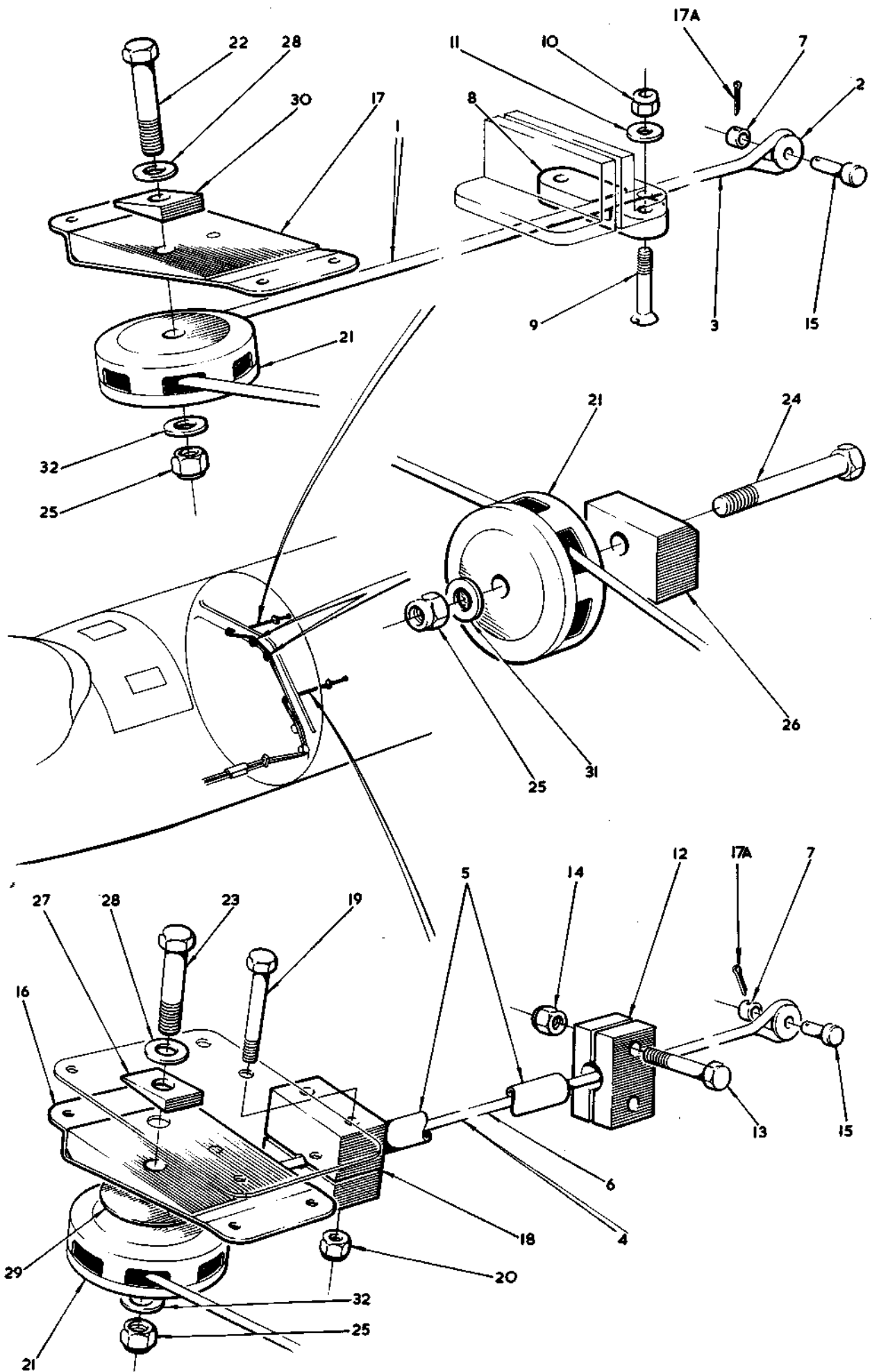


FIG. 2 CENTRE FUSELAGE

CODE RSZ

SECT. KA

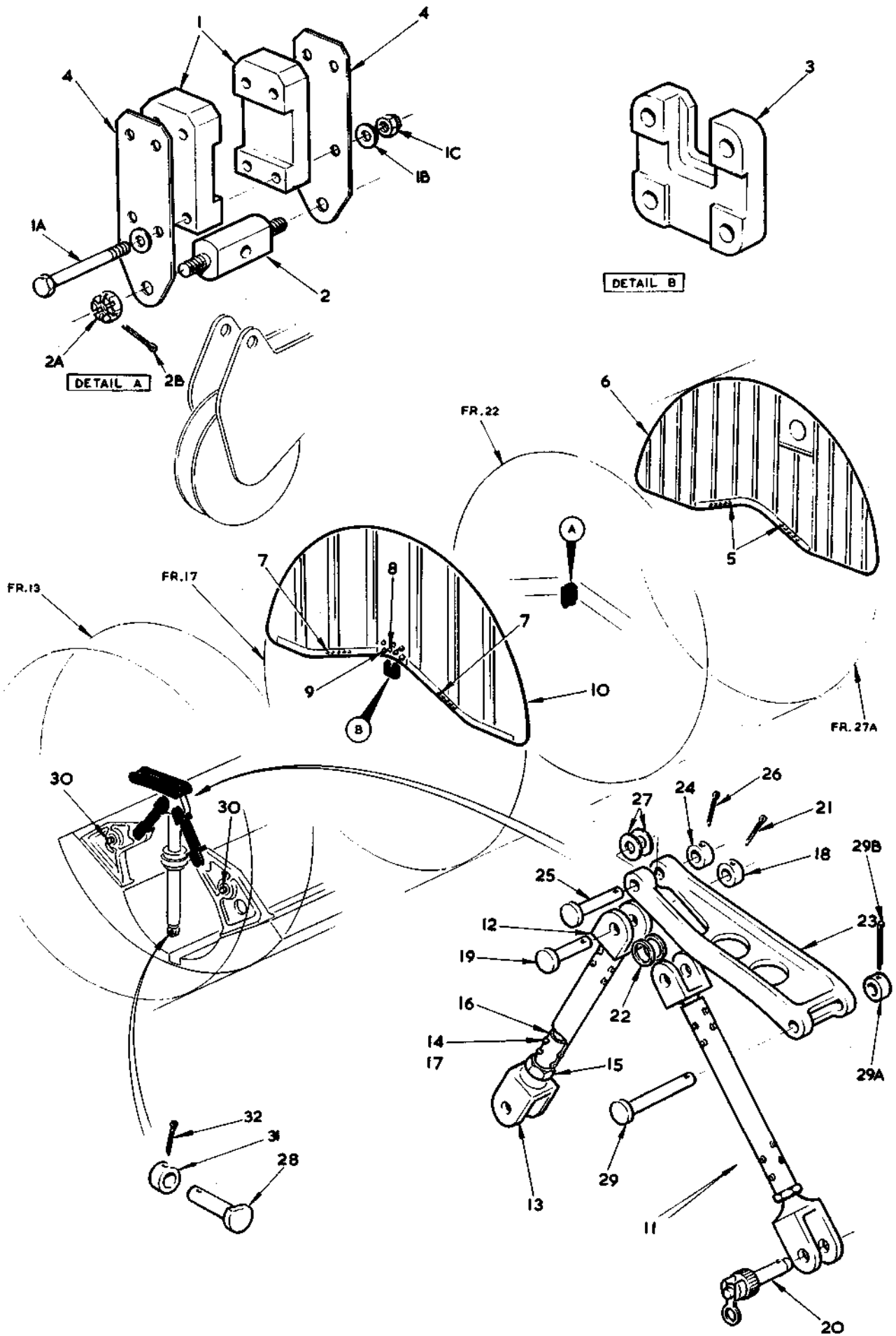


FIG.3 CENTRE FUSELAGE STRUCTURE

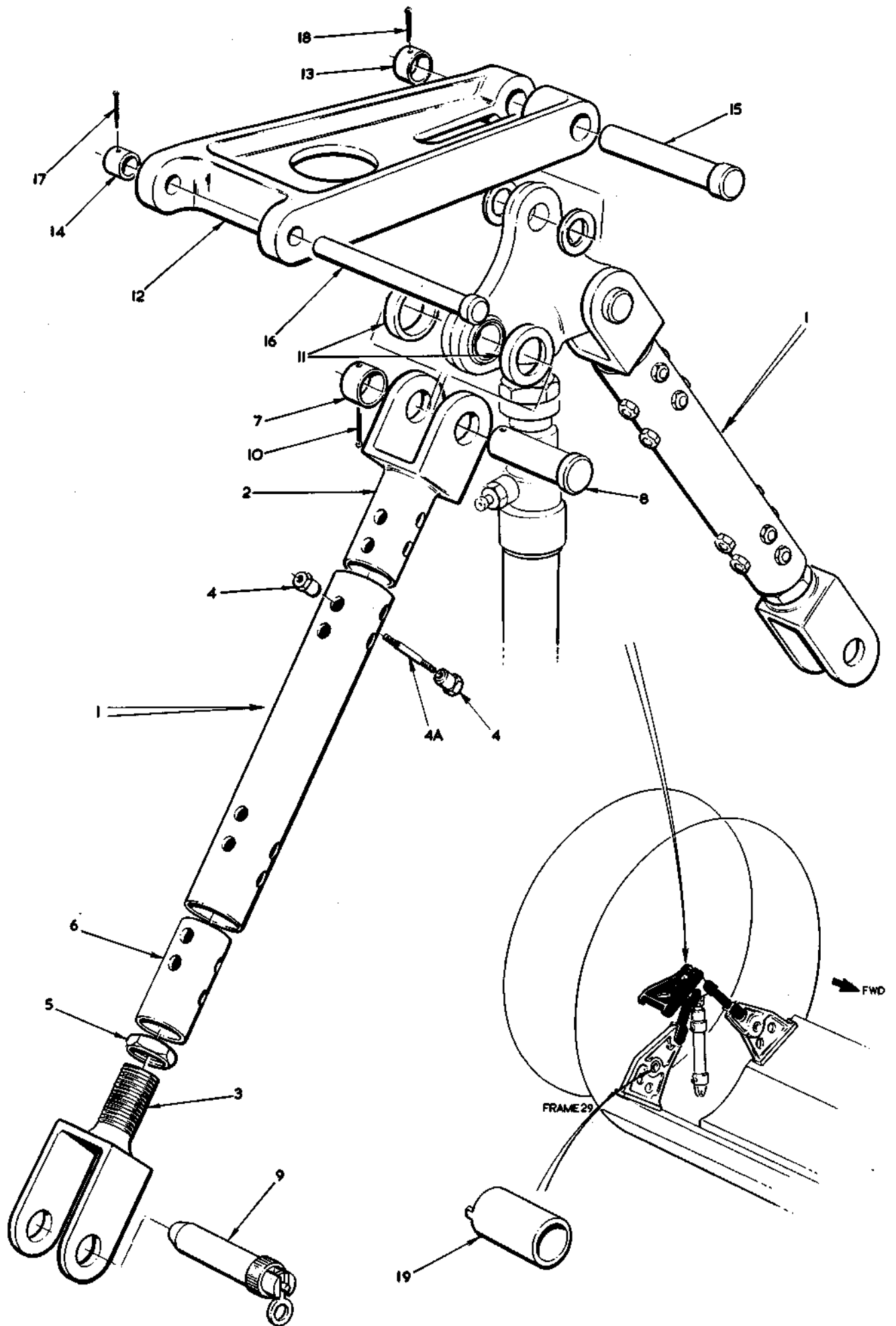


FIG.4. CENTRE FUSELAGE STRUCTURE

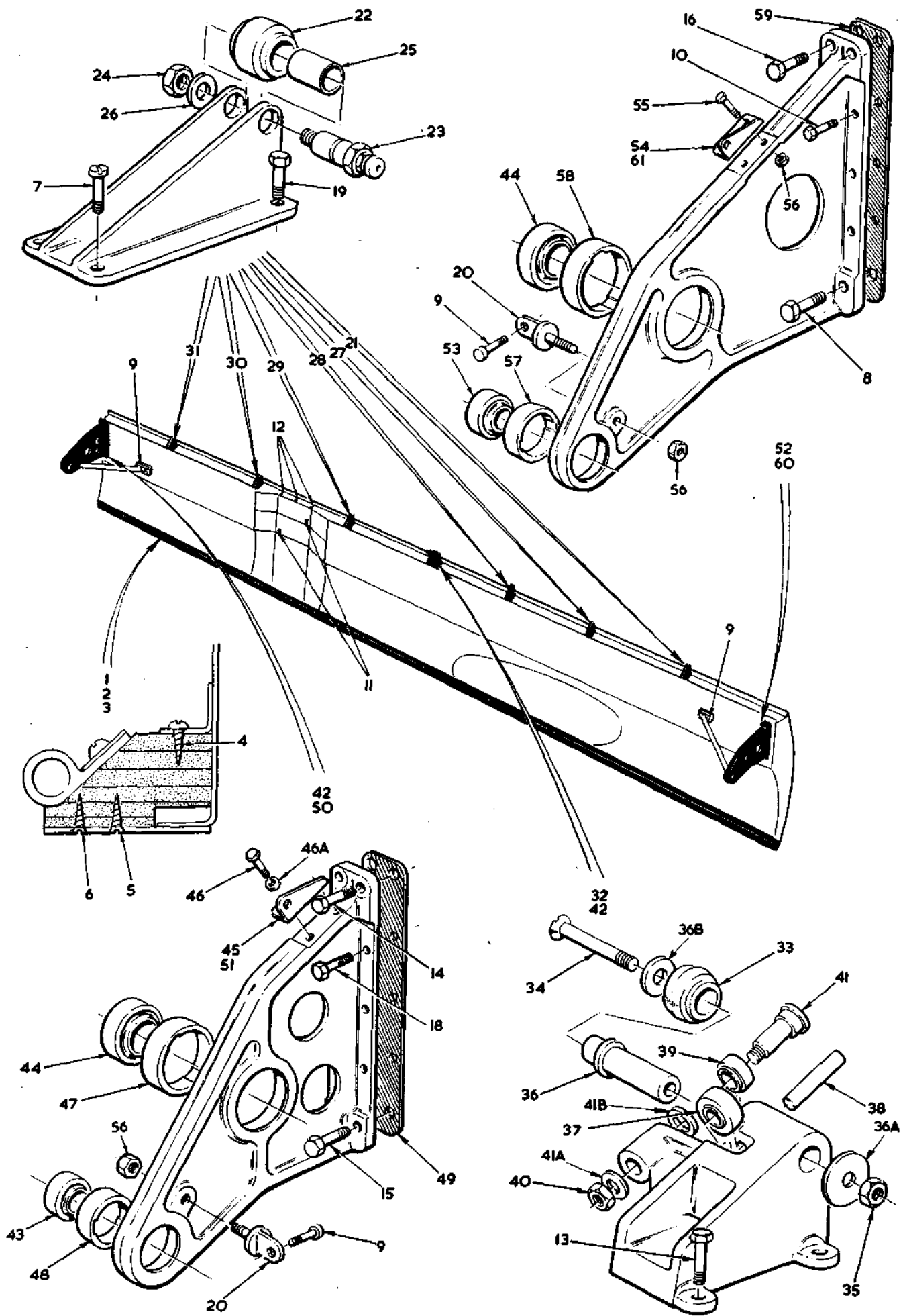


FIG.5 CENTRE FUSELAGE STRUCTURE

CODE Z

SECT KA

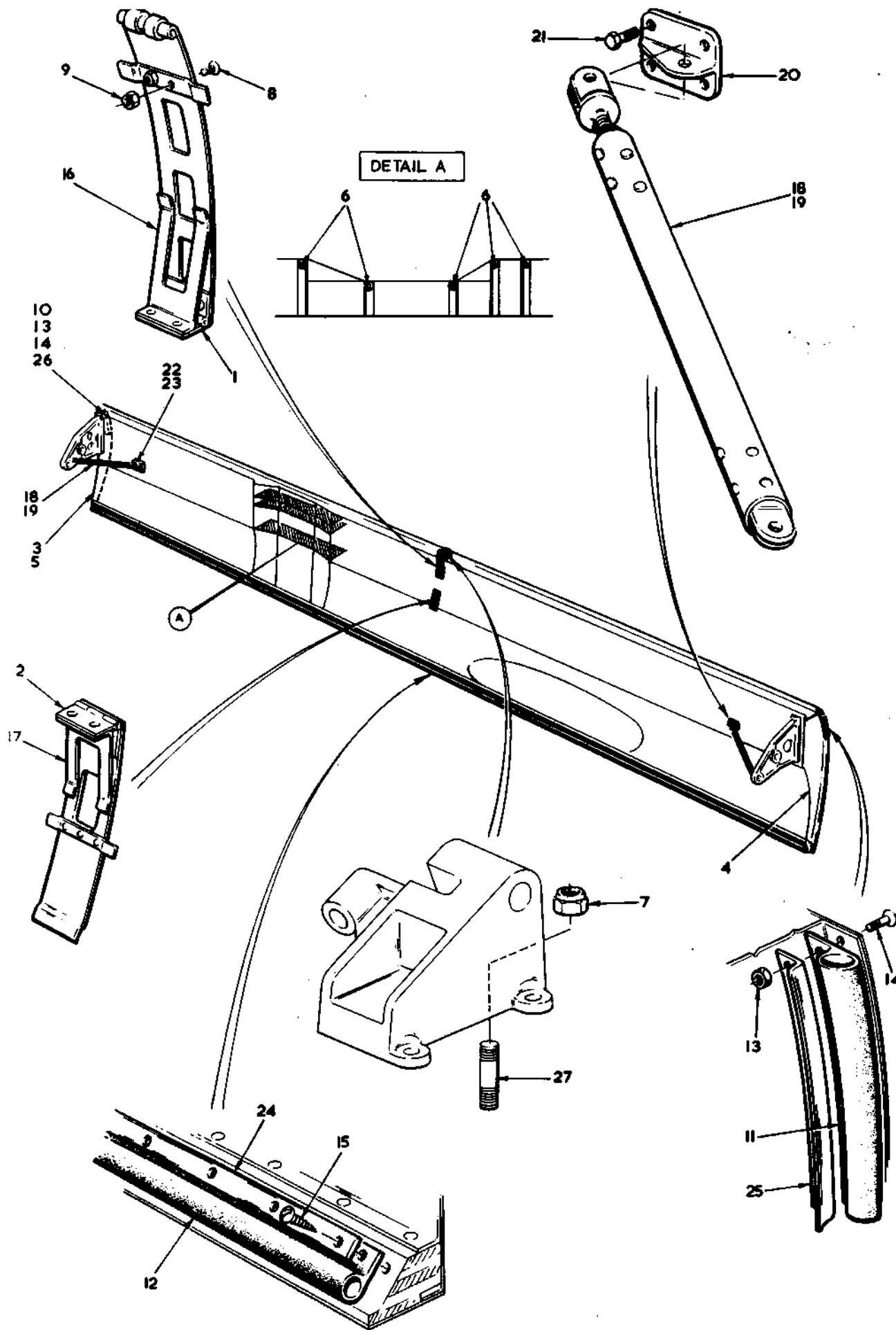


FIG.6 CENTRE FUSELAGE STRUCTURE

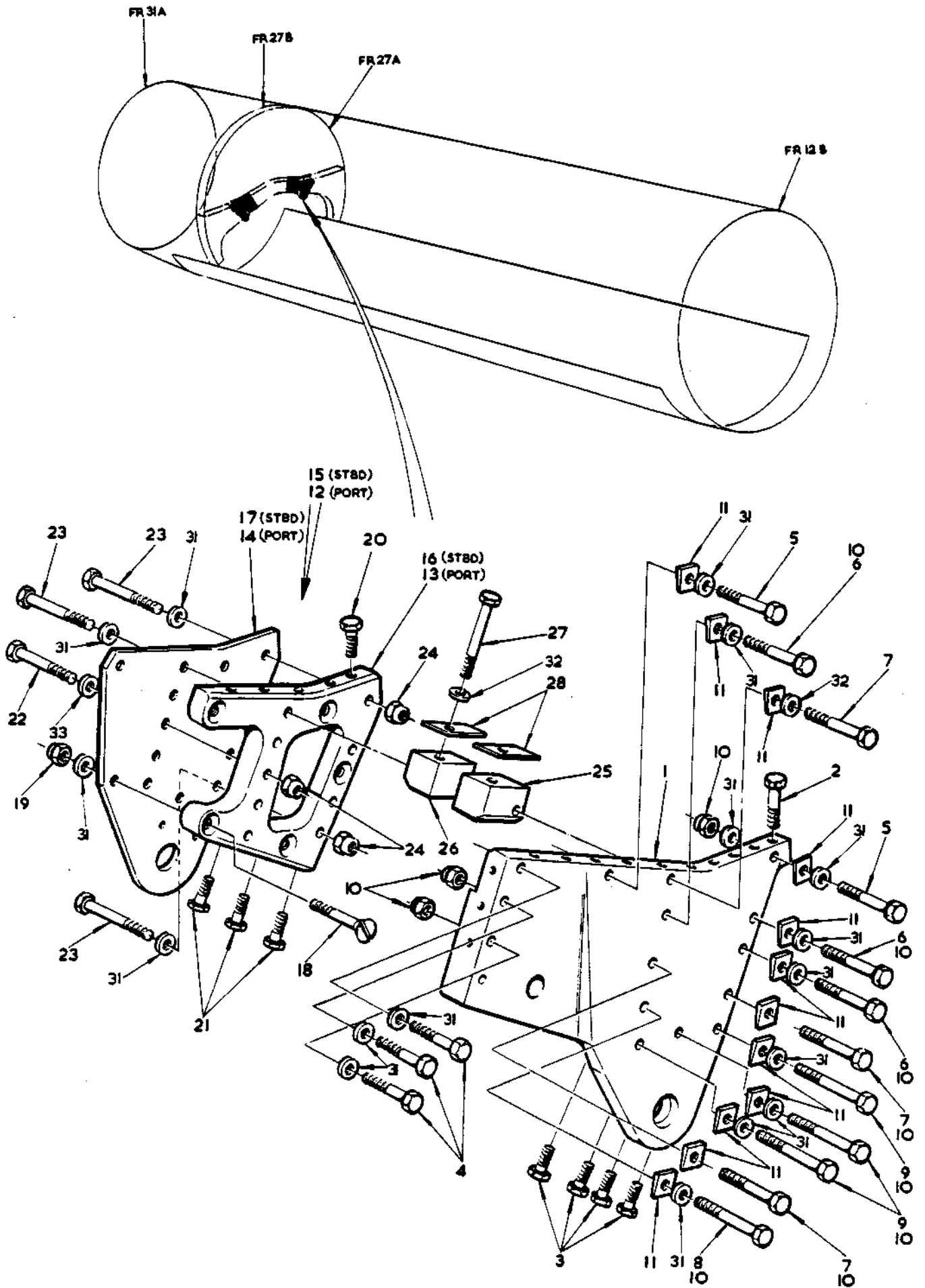


FIG 7 CENTRE FUSELAGE STRUCTURE

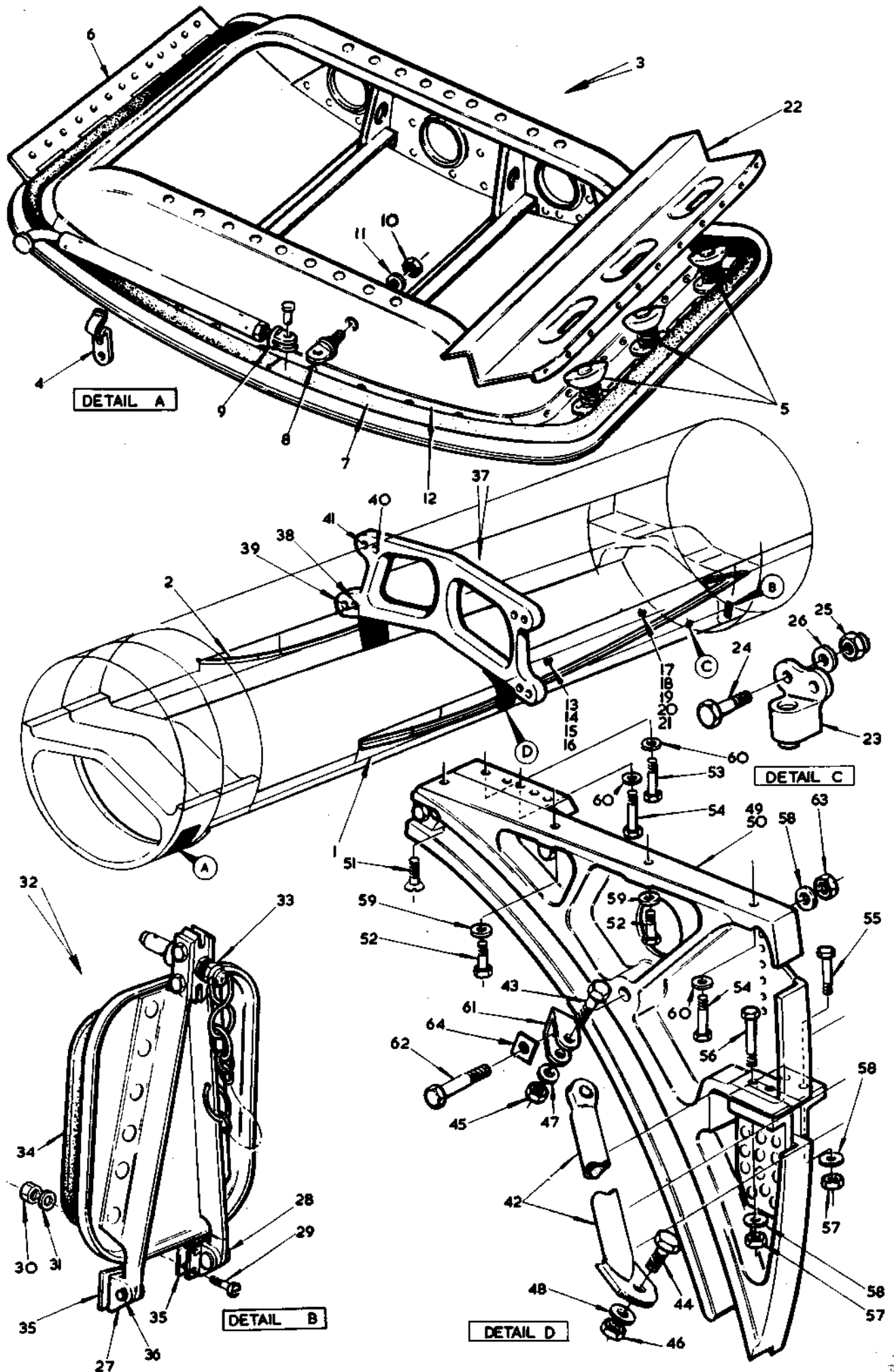


FIG.8 CENTRE FUSELAGE STRUCTURE

CODE Z

SECT KA

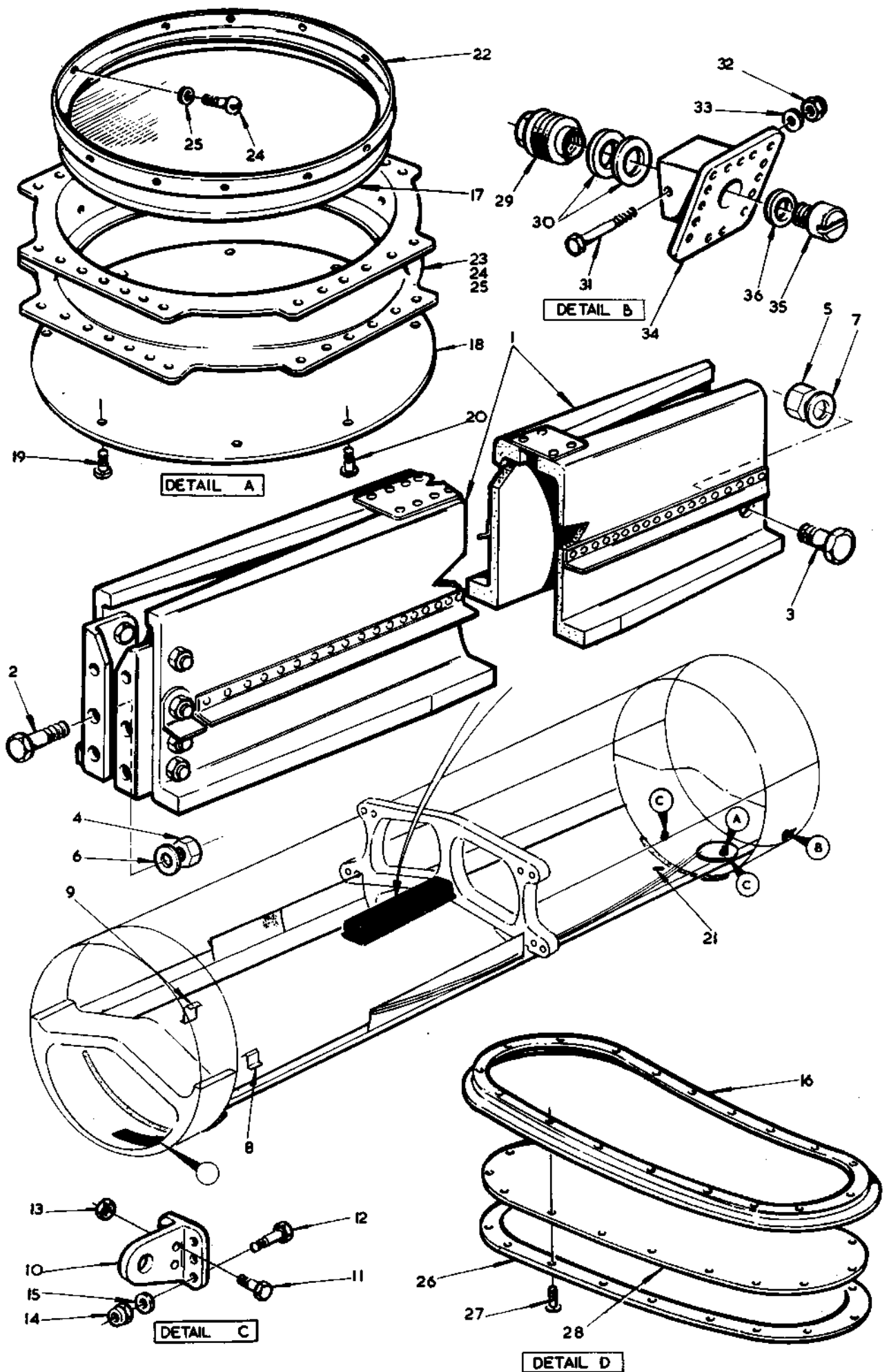


FIG 9A CENTRE FUSELAGE STRUCTURE

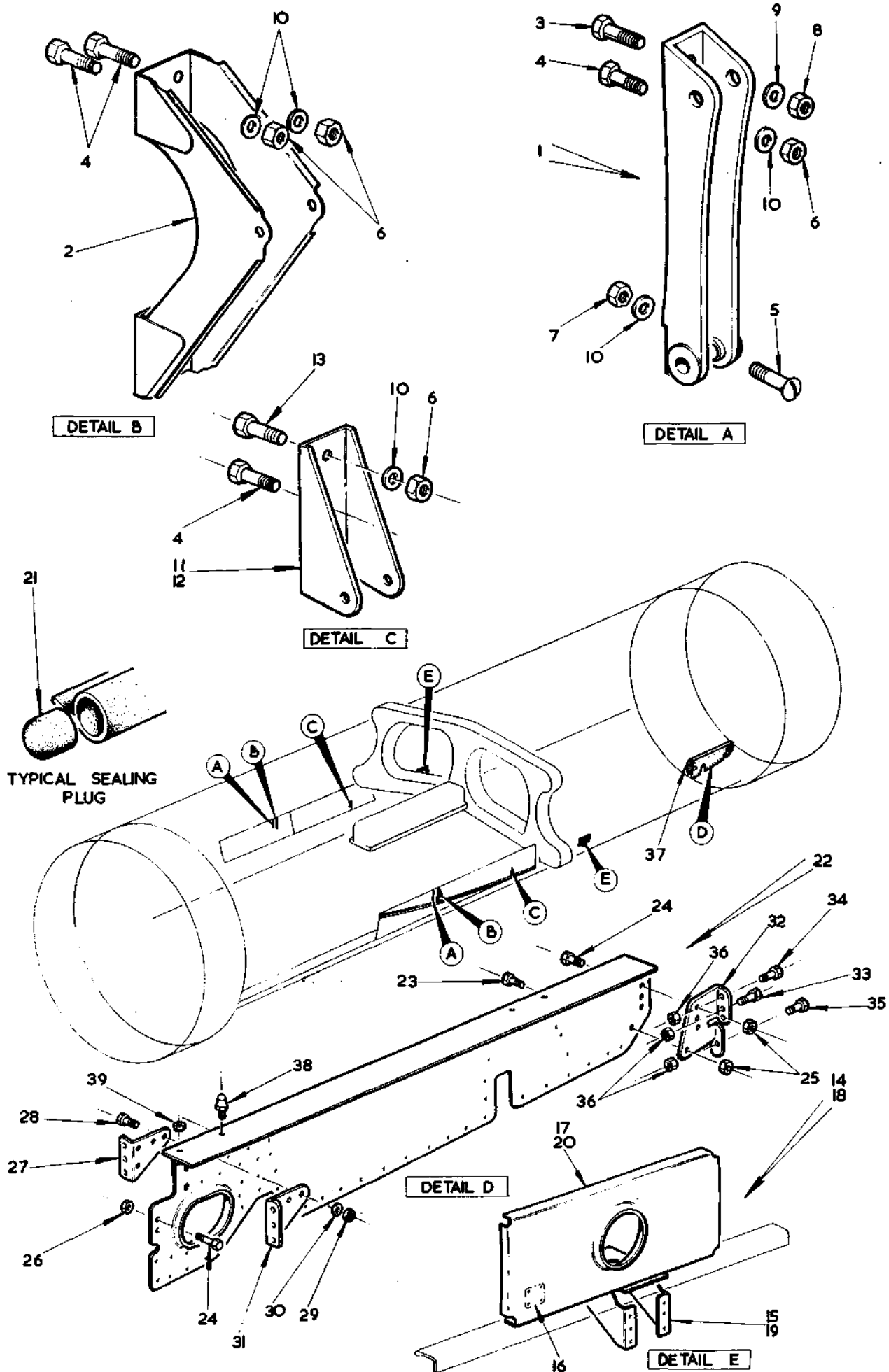


FIG 9B CENTRE FUSELAGE STRUCTURE

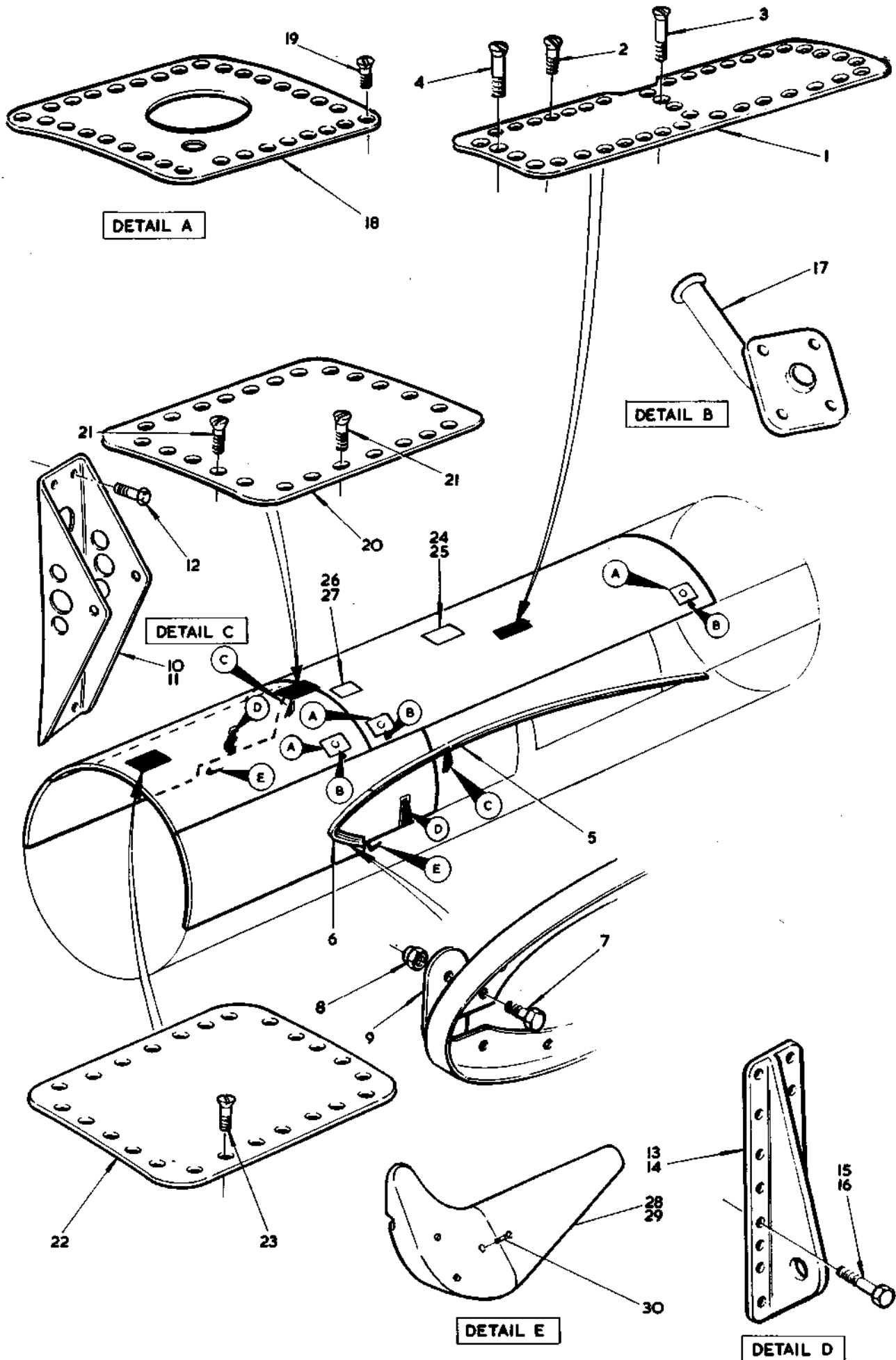


FIG.10 CENTRE FUSELAGE STRUCTURE



This file was downloaded  
from the RTFM Library.

Link: [www.scottbouch.com/rtfm](http://www.scottbouch.com/rtfm)

Please see site for usage terms,  
and more aircraft documents.

