

FUSELAGE  
FRONT FUSELAGE

Part Number	Description	No. Off	Mati. Spec.	Plate No.
EG4.07.41	NOSE, FUSELAGE, ASSEMBLY (Supplied to Dwg. EG4.00.505 for spares purposes) (PRE-MOD 5347)	-	-	
EG4.00.639	NOSE, FUSELAGE, ASSEMBLY (Spares condition based on EG4.00.505 to LTF standard) (MOD 5347) Spares for:-	1	-	
EG4.75.405	. AIR VENTILATED SUIT FRONT FUSELAGE, INSTALLATION (See chapter S)	-	-	
-	. BLAST, COOLING FOR INVERTER TYPE 103A (See Drg. No. EB6.81.5275 in chapter EB)	-	-	
EA3.74.105	. BLAST, COOLING FOR INVERTER TYPE 200 Spares for:-	-	-	KB1/1
EA3.74.103	. PIPE, assembly	1	-	KB1/2
EA3.74.107	. SLEEVE, pipe, connecting	1	BSF67	KB1/3
EEAS20/2DU	. TAB, locking	1	Type 1	KB1/4
EA3.74.99	. WASHER, between inverter and pipe	1	L72	KB1/5
EG4.75.403	. CABIN PRESSURE SYSTEM (See chapter SB)	-	Felt	
EA3.74.21	. COLD AIR SUPPLY (See chapter SB)	1	-	
EG4.47.103	. CONTROLS, ENGINE (See chapter CB)	-	-	
EG4.45.103	. CONTROLS, FLYING IN COCKPIT (See chapter DA)	-	-	
EG4.76.101	. DE-MISTING SYSTEM (See chapter SD)	-	-	
EG4.81.2805	. ELECTRICAL EQUIPMENT IN FRONT FUSELAGE (See chapter EB)	-	-	

R  
R  
R

FUSELAGE  
FRONT FUSELAGE

Part Number	Description	No. Off	Mtl. Spec.	Plate No.
EG4.10.701	FRONT FUSELAGE ASSEMBLY	1	-	
EA3.10.6387	Spares for:- ALTERATIONS TO NAVIGATOR'S HATCH LONGERONS AND FORWARD AND AFT MEMBERS (Alt. R60/88)	-	-	
EA3.10.6417	Spares for:- ANGLE, LH	1	-	KB14/1
EA3.10.6418	ANGLE, RH	1	-	KB14/2
EA3.10.6419	ANGLE, LH	1	-	KB14/3
EA3.10.6420	ANGLE, RH	1	-	KB14/4
EA3.10.6421	ANGLE, LH	1	-	KB14/5
EA3.10.6422	ANGLE, RH	1	-	KB14/6
EA3.10.6427	ANGLE, LH	3	-	KB14/7
EA3.10.6428	ANGLE, RH	3	-	KB14/8
EA3.10.6429	ANGLE, LH	1	-	KB14/9
EA3.10.6430	ANGLE, RH	1	-	KB14/10
EA3.10.66	ANGLE, LH	1	-	KB14/11
EA3.10.66	ANGLE, RH	1	-	KB14/12
EA3.10.6395	ARCH, forward member (PRE-MOD 5347)	1	-	
EA3.00.5737	ARCH, forward member (Spares for EA3.10.6395) (MOD 5347)	1	-	KB14/13
EA3.10.6399	ARCH, aft member (PRE-MOD 5347)	1	-	
EA3.00.5735	ARCH, aft member (Spares for EA3.10.6399) (MOD 5347)	1	-	KB14/14
EA3.10.561	ARM, steady	23	-	KB14/15
EA3.10.173	CLEAT	2	-	KB14/16
EA3.10.171	CLEAT	2	-	KB14/17
EA3.10.6415	DIAPHRAGM, LH	1	-	KB14/18
EA3.10.6416	DIAPHRAGM, RH	1	-	KB14/19
EA3.10.6501	DIAPHRAGM, LH	1	-	KB14/20
EA3.10.6502	DIAPHRAGM, RH	1	-	KB14/21
EA3.10.6503	DIAPHRAGM, LH	1	-	KB14/22
EA3.10.6504	DIAPHRAGM, RH	1	-	KB14/23
EA3.10.6505	DOUBLING, LH	1	-	KB14/24
EA3.10.6506	DOUBLING, RH	1	-	KB14/25
EA3.10.6389	FRAME, bolt assembly (PRE-MOD 5347)	1	-	
EA3.00.5783	FRAME, bolt assembly (Spares for EA3.10.6389) (MOD 5347)	1	-	KB14/26
EA3.10.6391	Spares for:- BLOCK, corner	2	-	KB14/27
EA3.10.6393	BLOCK, corner	2	-	KB14/28
EA3.10.1981	BLOCK	30	-	KB14/29
EA3.10.161	FRAME, bolt, forward	1	-	KB14/30
EA3.10.163	FRAME, bolt, aft	1	-	KB14/31
EA3.10.165	FRAME, bolt, LH	1	-	KB14/32
EA3.10.166	FRAME, bolt, RH	1	-	KB14/33
AGS2008/E/1	NUT, anchor, 1/4" BSF	68	-	KB14/34
EA1.10.1029	Attaching parts for EA3.10.6389:- Bolt, explosive	34	-	KB14/35
EA3.10.6407	Bush	21	-	KB14/36
EA3.10.6511	Bush	2	-	KB14/37
A27LT	Nut, thin, 7/16" BSF	34	-	KB14/38
EA3.10.6411	Tube, distance	2	-	KB14/39
EA3.10.6413	Tube, distance	21	-	KB14/40
AGS2035L	Washer, shakeproof, 7/16" BSF	34	-	KB14/38A

FUSELAGE  
FRONT FUSELAGE

Part Number	Description	No. Off	Mati. Spec.	Plate No.
EA3.10.6401	FITTING, forward, LH	1	-	KB15/1
EA3.10.6403	FITTING, aft, LH	1	-	KB15/2
	Attaching parts for EA3.10.6401 and EA3.10.6403:-			
A59/7E	Bolt, 1/4" BSF	3	-	KB15/3
A59/5E	Bolt, 1/4" BSF	4	-	KB15/4
A59/3E	Bolt, 1/4" BSF	4	-	KB15/5
A25/3C	Bolt, 2BA	5	-	KB15/6
A27/CP	Nut, 2BA, plain	5	-	KB15/7
A27/EP	Nut, 1/4" BSF plain	11	-	KB15/8
SP124/E	Washer, thin	4	-	KB15/9
SP125/E	Washer, thick	4	-	KB15/10
SP125/C	Washer, thick	5	-	KB15/11
EA3.10.6402	FITTING, forward, RH	1	-	KB15/12
EA3.10.6404	FITTING, aft, RH	1	-	KB15/13
	Attaching parts for EA3.10.6402 and EA3.10.6404:-			
A59/7E	Bolt, 1/4" BSF	3	-	KB15/14
A59/5E	Bolt, 1/4" BSF	4	-	KB15/15
A59/3E	Bolt, 1/4" BSF	4	-	KB15/16
A25/3C	Bolt, 2BA	5	-	KB15/17
A27/CP	Nut, 2BA plain	5	-	KB15/18
A27/EP	Nut, 1/4" BSF plain	11	-	KB15/19
SP124/E	Washer, thin	4	-	KB15/20
SP125/E	Washer, thick	4	-	KB15/21
SP125/C	Washer, thick	5	-	KB15/22
EA3.10.6513	GUSSET, LH	1	-	KB15/23
EA3.10.6514	GUSSET, RH	1	-	KB15/24
EA3.10.6433	LONGERON, escape hatch, LH	1	-	KB15/25
EA3.10.6435	LONGERON, escape hatch, RH	1	-	KB15/26
EA3.10.45	LONGERON, member, LH	1	-	KB15/27
EA3.10.46	LONGERON, member, RH	1	-	KB15/28
EA3.10.6497	PACKING	1	-	KB15/29
EA3.10.6499	PACKING	1	-	KB15/30
EA3.10.6481	PANEL, skin, LH	1	-	KB15/31
EA3.10.6482	PANEL, skin, RH	1	-	KB15/32
EA3.10.515	PANEL, skin	1	-	KB15/33
EA3.10.1097	PANEL, skin	1	-	KB15/34
EA3.10.503	PANEL, skin	1	-	KB15/35
EA3.10.1099	PANEL, skin	1	-	KB15/36
EA3.10.519	PANEL, skin	1	-	KB15/37
EA3.10.6431	PLATE, tie	1	-	KB15/38
EA3.10.6432	PLATE, tie	1	-	KB15/39
EA3.10.6515	REINFORCING, LH	1	-	KB15/40
EA3.10.6516	REINFORCING, RH	1	-	KB15/41
EA3.10.549	SEAL, pressure	1	-	KB15/42
EA3.10.6489	SHIM	2	-	KB15/43
EA3.10.6491	SHIM	2	-	KB15/44
EA3.10.6493	SHIM	2	-	KB15/45
EA3.10.6495	SHIM	2	-	KB15/46
EA3.10.6397	STIFFENER, hatch frame	1	-	KB15/47
EA3.10.6483	STRAP, butt	2	-	KB15/48
EA3.10.6485	STRAP, butt	2	-	KB15/49
EA3.10.6487	STRAP, butt	2	-	KB15/50
EA3.10.471	WEDGE, packing	10	-	KB15/51

FUSELAGE  
FRONT FUSELAGE

Part Number	1 2 3 4 5 6	Description	No. Off	Mati. Spec.	Plate No.
EA3.10.391	. .	ARM, steady, L.H. for escape hatch explosive bolt	1	-	
EA3.10.392	. .	ARM, steady, R.H. for escape hatch explosive bolt	1	-	
EA3.10.561	. .	ARM, steady, for escape hatch explosive bolt (Pre-Mod 5100)	24	-	
EA3.10.561	. .	ARM, steady, for escape hatch explosive bolt (Mod 5100)	23	-	
		Attaching parts for EA3.10.391, EA3.10.392 or EA3.10.561:-			
A61/2C	. .	Bolt, 2BA	2	-	
AGS2001C3	. .	Nut, 2BA	2	-	
EA3.10.651	. .	Shim	QR	-	
EA3.10.2551	. .	ARM, steady, L.H. for escape hatch explosive bolt	1	L72	KB5/47
EA3.10.2552	. .	ARM, steady, R.H. for escape hatch explosive bolt	1	L72	KB5/48
		Attaching parts for EA3.10.2551 or EA3.10.2552:-			
A61/3C	. .	Bolt, 2BA	2	-	
AGS2001C3	. .	Nut, 2BA	2	-	
EA3.10.2549	. .	Shim	4	-	
EA3.10.2583	. .	ARM, steady, for escape hatch explosive bolt	3	-	
EA3.10.2584	. .	ARM, steady, for escape hatch explosive bolt	3	-	
		Attaching parts for EA3.10.2583 or EA3.10.2584:-			
A61/3C	. .	Bolt, 2BA	2	-	
AGS2001C3	. .	Nut, 2BA	2	-	
EA3.10.651	. .	Shim	QR	-	
EA1.10.1029	. .	BOLT, special, explosive, navigator's escape hatch	34	-	KB5/49
EA3.10.6477	. .	BOLT, special, 1/4" BSF navigator's (Alt. R60/44-Mod 5100)	68	-	
EA3.10.2581	. .	BRACKET, hinge, port	1	-	KB6/9A
EA3.10.2582	. .	BRACKET, hinge, starboard	1	-	KB6/10A
		Attaching parts for EA3.10.2581 or EA3.10.2582:-			
AS1242/4C	. .	Bolt, 2BA	2	-	KB6/9B
AS1242/5C	. .	Bolt, 2BA (Alternative to AS1242/4C)	2	-	
AS1242/6C	. .	Bolt, 2BA	2	-	KB6/9C
AS1242/7C	. .	Bolt, 2BA (Alternative to AS1242/6C)	2	-	
AGS2001C1/66	. .	Nut, 2BA	4	-	KB6/9D
SP13C	. .	Washer	4	-	KB6/9E
EA1.20.1033	. .	Washer, special	4	-	KB6/9F

FUSELAGE  
FRONT FUSELAGE

Part Number	Description	No. Off	Matl. Spec.	Plate No.
EA3.10.983	. . . BUSH, rubber for canopy bolt	16	—	KB11/16
EA1.10.1163	. . . BUSH, navigator's escape hatch explosive bolt (Pre-Mod 5100)	21	L40	KB5/50
EA1.10.1165	. . . BUSH, navigator's escape hatch explosive bolt forward corners only (Pre-Mod 5100)	13	L40	KB5/51
EA1.10.1165	. . . BUSH, navigator's escape hatch explosive bolts (Mod 5100)	11	L40	
EA3.10.6407	. . . BUSH, navigator's escape hatch explosive bolts (Alt. R60/88-Mod 5100)	21	L40	
EA3.10.6511	. . . BUSH, navigator's escape hatch explosive bolts (Alt. R60/88-Mod 5100)	2	L40	
EA3.10.3021	. . . CAP, sealing, for escape hatch pivot	2	L40	KB5/52
EA3.10.3019	. . . COLLAR, sealing, for escape hatch pivot	2	DTD683	KB5/53
EA1.10.501	. . . DOOR, ACCESS, EQUIPMENT, ASSEMBLY (Supplied to Part No. EA3.00.113 for spares purposes with trim allowance) Spares for :-	1	—	KB2/1
EA1.10.511	. . . LINK, connecting	2	—	KB2/2
AS2866P	. . . LOCK, L.H., FLUSH TYPE, ASSEMBLY Spares for :-	1	—	KB2/3
AS5382	. . . . . BOLT, pivot	1	—	KB2/4
AS2558	. . . . . BUTTON, pressure seal	1	—	KB2/5
AS2528	. . . . . BUTTON, push, outer	1	—	KB2/5A
AS2552	. . . . . HANDLE, single handle lock	1	—	KB2/6
FGS 50 or FFE 4	. . . . . KEY	1	—	
AS2532	. . . . . PLATE, catch	1	—	KB2/7
AS2530	. . . . . PLATE, centre, push button	1	—	KB2/6A
AS2559	. . . . . SEAL, handle	1	—	KB2/8
AS5381	. . . . . SEAL, push button	1	—	KB2/9
AS2534	. . . . . SPRING, for catch	1	—	KB2/10
AS2556	. . . . . STUD, spring	1	—	KB2/11
A33812	. . . . . Attaching parts for AS2866P :- Screw, 4BA	11	—	KB2/13
EA1.10.2423	. . . . . PANEL, removable	1	—	KB2/14
EA1.10.2421	. . . . . RING, packing	1	—	KB2/12
EA1.10.549	. . . . . ROD, door lock	2	L64	KB2/15
EA1.10.2425	. . . . . STRIP, sealing, ½" wide (Make from EEAS141/1, Ref. 12713)	1	—	KB2/16

R  
R

FUSELAGE  
FRONT FUSELAGE

Part Number	1 2 3 4 5 6	Description	No. Off	Matl. Spec.	Plate No.
EA3.10.1401	. . .	DOOR, MAIN ENTRANCE, ASSEMBLY Spares for :-	1	-	KB3/1
EA1.10.1145	. . .	BOLT, assembly, door, aft	1	-	KB3/2
EA1.10.1143	. . .	BOLT, assembly, door, forward	1	-	KB3/3
SP4Y/B6	. . .	Attaching parts for EA1.10.1145 and EA1.10.1143 :- Pin	1	-	KB3/4
EA3.10.2313	. . .	FAIRING, handle, internal	1	-	KB3/5
AS1248/2C	. . .	Attaching parts for EA3.10.2313 :- Bolt, 2BA	13	-	KB3/6
EA1.10.1785	. . .	HANDLE, door, internal	1	-	KB3/7
AS1248/2C	. . .	Attaching parts for EA1.10.1785 :- Bolt, 2BA	1	-	KB3/8
SP47C	. . .	Washer	1	-	KB3/9
SP13C	. . .	Washer	1	-	KB3/10
EA3.10.1407	. . .	HINGE, ENTRANCE DOOR, ASSEMBLY Spares for :-	2	-	KB3/1A
SKEFKO CBS3	. . .	BEARING, ballrace	2	-	KB3/1B
EA3.10.1403	. . .	HINGE	1	-	KB3/1C
EA3.10.1405	. . .	PIN	1	-	KB3/1D
EA1.10.1733	. . .	HOUSING, door, bolt aft	1	-	KB3/11
A25/2B	. . .	Attaching parts for EA1.10.1733 :- Bolt, 4BA	16	-	KB3/12
A27BP	. . .	Nut, 4BA	16	-	KB3/13
SP47B	. . .	Washer	16	-	KB3/14
EA1.10.1735	. . .	HOUSING, door, bolt forward	1	-	KB3/15
A25/1B	. . .	Attaching parts for EA1.10.1735 :- Bolt, 4BA	10	-	KB3/16
A25/2B	. . .	Bolt, 4BA	14	-	KB3/17
A27BP	. . .	Nut, 4BA	14	-	KB3/18
SP47B	. . .	Washer	24	-	KB3/19
EA1.10.1337	. . .	LEVER, cranked, aft	1	-	KB3/20
EA1.10.813	. . .	LEVER, cranked, forward	1	-	KB3/21
A25/6C	. . .	Attaching parts for EA1.10.1337 and EA1.10.813 :- Bolt, 2BA	1	-	KB3/22
EA1.10.1149	. . .	Tube, distance	1	-	KB3/23
EA1.10.821	. . .	LINK, coupling, crank lever to door handle	1	-	KB3/24
SP4Y/B4	. . .	Attaching parts for EA1.10.821 :- Pin	2	-	KB3/25
SP13C	. . .	Washer	2	-	KB3/26

AP101B-0415-3A

Page KB.5

## FUSELAGE

## FRONT FUSELAGE

Part Number	Description						No. Off	Mati. Spec.	Plate No.
	1	2	3	4	5	6			
AS2864P	.	.	.	.	.	.	1	-	KB3/27
AS5382	.	.	.	.	.	.	1	-	KB3/28
AS2558	.	.	.	.	.	.	1	-	KB3/29
AS2528	.	.	.	.	.	.	1	-	KB3/29A
AS2549	.	.	.	.	.	.	1	-	KB3/30
FGS 50	.	.	.	.	.	.	1	-	
or									
FFE 4									
AS2532	.	.	.	.	.	.	1	-	KB3/31
AS2530	.	.	.	.	.	.	1	-	KB3/31A
AS2559	.	.	.	.	.	.	1	-	KB3/32
AS5381	.	.	.	.	.	.	1	-	KB3/33
AS2534	.	.	.	.	.	.	1	-	KB3/34
AS2556	.	.	.	.	.	.	1	-	KB3/35
AS1248/1B	.	.	.	.	.	.	4	-	KB3/36
A33820	.	.	.	.	.	.	11	-	KB3/37
EA1.10.1995	.	.	.	.	.	.	1	L72	KB3/38
AS1242/2C	.	.	.	.	.	.	14	-	KB3/39
AS1248/2C	.	.	.	.	.	.	30	-	KB3/40
EA3.10.1447	.	.	.	.	.	.	1	-	KB3/41
AS1248/2C	.	.	.	.	.	.	1	-	KB3/42
EA1.10.2657	.	.	.	.	.	.	1	-	KB3/43
EA1.10.1319	.	.	.	.	.	.	1	L72	KB3/44
A27EP	.	.	.	.	.	.	1	-	KB3/45
SP13E	.	.	.	.	.	.	1	-	KB3/46
CM015/FIG. 3	.	.	.	.	.	.	1	-	
CM015/FIG. 2	.	.	.	.	.	.	1	-	
CM015/FIG. 4	.	.	.	.	.	.	2	-	
EA1.10.1651	.	.	.	.	.	.	1	-	KB3/47
EA3.10.2813	.	.	.	.	.	.	1	-	KB3/48
EA3.10.1459	.	.	.	.	.	.	1	-	KB3/49
EA1.10.939	.	.	.	.	.	.	1	-	KB4/1
EA1.10.957	.	.	.	.	.	.	2	-	KB4/2
EA1.10.961	.	.	.	.	.	.	4	-	KB4/3
EA1.10.963	.	.	.	.	.	.	1	-	KB4/4
SP47C	.	.	.	.	.	.	4	-	KB4/5
EA1.10.1367	.	.	.	.	.	.	1	-	KB4/6
EA1.10.2707	.	.	.	.	.	.	8	-	KB4/7
EA1.10.1369	.	.	.	.	.	.	1	-	KB4/8

## FUSELAGE

## FRONT FUSELAGE

Part Number	Description						No. Off	Matl. Spec.	Plate No.
	1	2	3	4	5	6			
EA1.10.1271	.	.	.				1	-	KB4/9
EA1.10.1413	.	.	.				1	-	KB4/10
EA1.10.955	.	.	.				1	Rubber	KB4/11
EA1.10.2467	.	.	.				1	-	KB4/12
or									
EA3.10.6377	.	.	.				1	L72	
EA3.10.3485	.	.	.				1	-	KB4/13
or									
EA3.10.6383	.	.	.				1	L72	
A33C32	.	.	.				2	-	KB4/14
EA1.10.949	.	.	.				1	Light Alloy	KB4/15
or									
EA3.10.6381	.	.	.				1	BACM64	
EEAS6C	.	.	.				2	-	KB4/16
EA1.10.2655	.	.	.				1	-	KB4/17
EA1.10.2065	.	.	.				1	-	KB4/18
EA3.10.2811	.	.	.				1	Synthetic Rubber	KB4/19
EA3.10.6583	.	.	.				1	Neoprene DTD 5514	
	.	.	.						
AGS2001A1	.	.	.				16	-	KB4/20
A33A12	.	.	.				16	-	KB4/21
EA1.10.2513	.	.	.				1	-	KB4/22
EA1.10.2515	.	.	.				1	-	KB4/23
EA1.10.940	.	.	.				1	-	KB4/24
	.	.	.						
EA3.10.3129	.	.	.				2	-	KB4/25
EA1.10.983	.	.	.				4	-	KB4/26
SP47C	.	.	.				4	-	KB4/27
EA1.10.1367	.	.	.				1	-	KB4/28
EA1.10.2707	.	.	.				8	-	KB4/29
EA1.10.1369	.	.	.				1	-	KB4/30
EA1.10.2071	.	.	.				1	-	KB4/31
A25/3C	.	.	.				2	-	KB4/32
A27CP	.	.	.				2	-	KB4/33
EA1.10.2077	.	.	.				2	-	KB4/34
EA3.10.3085	.	.	.				1	L65	KB4/35
A25/3C	.	.	.				2	-	KB4/36
AGS2002C1/66	.	.	.				2	-	KB4/37
SP16C	.	.	.				2	-	KB4/38
EA1.10.1272	.	.	.				1	-	KB4/39
EA1.10.1414	.	.	.				1	-	KB4/40

FUSELAGE  
FRONT FUSELAGE

Part Number	Description	No. Off	Matl. Spec.	Plate No.
EA3.10.3193	. . . HOOK, door latch, forward Attaching parts for EA3.10.3193 :-	1	-	KB4/41
EA1.10.971	. . . Pin, pivot	1	-	KB4/42
EA1.45.989	. . . Shim	1	-	KB4/43
EEAS28/23CU	. . . Washer	2	-	KB4/44
EA3.10.3239	. . . HOOK, door latch aft (Mod 1465) Attaching parts for EA3.10.3239 :-	1	S11	KB4/45
EA3.10.3375	. . . Packing (Mod 1465)	5	L72	KB4/46
EA1.10.971	. . . Pin, pivot	1	-	KB4/47
SP15G	. . . Washer	1	-	KB4/48
EA1.10.955	. . . PAD Attaching parts for EA1.10.955 :-	1	Rubber	KB4/49
EA1.10.2467	. . . Angle	1	-	KB4/50
or EA3.10.6378	. . . Angle	1	L72	
EA3.10.3485	. . . Packing	2	-	KB4/51
or EA3.10.6383	. . . Packing	1	L72	
A33C32	. . . Screw, 2BA	2	-	KB4/52
EA1.10.949	. . . Shim	1	Light Alloy	KB4/53
or EA3.10.6381	. . . Shim	1	BACM64	
EEAS6C	. . . Washer	2	-	KB4/54
EA1.10.1725	. . . PLATE, cover Attaching parts for EA1.10.1725 :-	1	-	KB4/55
A33B12	. . . Screw, 4BA	2	-	KB4/56
EA3.10.3211	. . . ROD, CONNECTING NOSE UNDERCARRIAGE DOOR HOOKS, ASSEMBLY Spare for :-	1	-	KB4/57
EA3.10.3083	. . . COLLAR, spring, adjusting	1	L65	KB4/58
EA3.10.3207	. . . FORK-END	1	S96	KB4/59
EA3.10.3213	. . . FORK-END	1	S96	KB4/60
A27CP	. . . NUT, 2BA	2	-	KB4/61
A27CPL	. . . NUT, 2BA	1	-	KB4/62
EA3.10.3209	. . . ROD	1	S96	KB4/63
EA3.20.2271	. . . SPRING	1	DTD239A	KB4/64
AGS899/1	. . . Collar	2	-	KB4/65
SP4Y/A7	. . . Pin, shackle	2	-	KB4/66
SP90C4	. . . Pin, split	2	-	KB4/67
EA1.10.2075	. . . ROLLER Attaching parts for EA1.10.2075 :-	1	-	KB4/68
EA1.10.2073	. . . Pin	1	-	KB4/69
EA3.10.2811	. . . STRIP, sealing (Make from Ref. 4756) (Pre-Mod 5282)	1	Synthetic Rubber	KB4/70
EA3.10.6583	. . . STRIP, sealing (Mod 5282) (Make from EEAS 844, 26FZ/6147755)	1	Neoprene DTD 5514	
AGS2001A1	. . . Nut, 6BA	16	-	KB4/71
A33A12	. . . Screw, 6BA	16	-	KB4/72
EA1.10.2145	. . . Strip, securing	1	-	KB4/73
EA1.10.2515	. . . Strip, securing	1	-	KB4/74

FUSELAGE  
FRONT FUSELAGE

Part Number	1 2 3 4 5 6	Description	No. Off	Mati. Spec.	Plate No.
EA1.10.1229		. . . GUARD, block, pressure cabin door seal	1	-	KB3/53
EA1.10.1153		. . . HANDLE, main door jettison	1	L72	KB3/50
EA3.00.5325		. . . HATCH, ESCAPE, NAVIGATOR'S (MOD 4094) (EA3.10.6301); (Supplied for spares purposes with trim allowance) (Pre-Mod 5347) Spares for :-	1	-	KB5/1
SIS1564		. . . BLOCK, terminal, 2-way, type B Attaching parts for SIS1564:-	1	-	KB5/2
A33A20		. . . Screw, 6BA	2	-	KB5/3
EA3.81.5849		. . . CABLE, assembly, N417 Attaching parts for EA3.81.5849 :-	1	-	KB5/4
A33B6		. . . Screw, 4BA, countersunk	4	-	KB5/4A
EA3.10.6109		. . . CHANNEL, butt connector Attaching parts for EA3.10.6109 :-	1	-	KB5/5
A25/2C		. . . Bolt, 2BA	4	-	KB5/6
AGS2001C1-66		. . . Nut, 2BA	4	-	KB5/7
SP16C		. . . Washer	4	-	KB5/8
MARTIN BAKER MBEU320EE		. . . CLIP, stowage, safety harness Attaching parts for MBEU320EE :-	4	-	KB5/9
A25/5B		. . . Bolt, 4BA	4	-	KB5/10
AGS2001B1		. . . Nut, 4BA	4	-	KB5/11
EA3.10.2277		. . . Packing	1	-	KB5/12
EA3.10.2281		. . . Packing	2	-	KB5/13
SP15B		. . . Washer	4	-	KB5/14
MARTIN BAKER MBEU321EE		. . . CLIP, stowage, parachute harness Attaching parts for MBEU321EE :-	4	-	KB5/15
A25/5B		. . . Bolt, 4BA	4	-	KB5/16
AGS2001B1		. . . Nut, 4BA	4	-	KB5/17
EA3.10.6135		. . . Packing	QR	-	KB5/18
EA3.10.2275		. . . Packing	QR	-	KB5/19
EA3.10.2279		. . . Packing	QR	-	KB5/20
SP15B		. . . Washer	4	-	KB5/21

FUSELAGE  
FRONT FUSELAGE

Part Number	1 2 3 4 5 6	Description	No. Off	Matl. Spec.	Plate No.
EA6.10.2683	. . .	CURTAIN	1	-	KB5/22
EA3.80.6659	. . .	EYE BOLT, starboard side (Mod 5093)	1	-	KB5/23
EB7.10.5093	. . .	FORK-END, port side	2	-	KB5/23A
AGS2001C1/66	. . .	Attaching parts for EA3.80.6659 or EB7.10.5093 :-			
SP15C	. . .	Nut, 2BA	1	-	KB5/24
	. . .	Washer	1	-	KB5/25
EA3.10.6111	. . .	HOLDER, spigot	1	-	KB5/26
A25/4E	. . .	Attaching parts for EA3.10.6111 :-			
SP16E	. . .	Bolt, 1/4" BSF	2	-	KB5/27
	. . .	Washer	2	-	KB5/28
EA3.10.3765	. . .	PLATE, blanking	1	-	KB5/29
EA3.10.6275	. . .	PLATE, window securing	2	L72	KB5/30
	. . .	Attaching parts for EA3.10.6275 :-			
EEAS1/1C	. . .	Bolt, 2BA	46	-	KB5/31
EEAS1/2C	. . .	Bolt, 2BA	2	-	KB5/32
AGS2001C1/66	. . .	Nut, 2BA	48	-	KB5/33
SP15C	. . .	Washer	48	-	KB5/34
EA3.10.6137	. . .	RING, packing	1	-	KB5/35
EA3.10.6121	. . .	RING, packing	1	-	KB5/36
EA3.10.6247	. . .	RING, packing	1	-	KB5/36A
EA3.10.311	. . .	SEAL, aft	1	S/H35	KB5/37
EA3.10.313	. . .	SEAL, forward	1	S/H35	KB5/38
EA3.10.309	. . .	SEAL, side	2	S/H35	KB5/39
EA3.10.6099	. . .	SPIGOT, screwed	2	-	KB5/40
	. . .	Attaching parts for EA3.10.6099 :-			
A27JT	. . .	Nut, 3/8" BSF	1	-	KB5/41
EA3.10.305	. . .	WINDOW, perspex	2	-	KB5/42
	. . .	Attaching parts for EA3.10.305 :-			
EEAS1/6C	. . .	Bolt, 2BA	20	-	KB5/43
AGS2001C1/66	. . .	Nut, 2BA	20	-	KB5/44
EA3.10.307	. . .	Seal, rubber	2	-	KB5/45
SP15C	. . .	Washer	40	-	KB5/46

FUSELAGE  
FRONT FUSELAGE

Part Number	Description	No. Off	Mati. Spec.	Plate No.
R -	. . . HATCH, NAVIGATOR'S ASSEMBLY	-	-	
R EA3.00.5713	. . . . HATCH, NAVIGATOR'S (Spares for EA3.10.6301 modified to EA3.10.6461 Alt. R60/44) (MOD 5347)	1	-	KB16/1
R EA3.00.5793	. . . . KIT, LOOSE EQUIPMENT FOR NAVIGATOR'S HATCH (LOOSE EQUIPMENT KIT IS ESSENTIAL REQUIREMENT WITH HATCH) (MOD 5347)	1	-	
R TYPE B No. 1	. . . . BLOCK, terminal	1	-	KB16/2
R EEAS1/1C	. . . . BOLT	10	-	KB16/3
R AS1246/1B	. . . . BOLT	6	-	KB16/4
R A25/1B	. . . . BOLT	3	-	KB16/5
R EA3.10.6477	. . . . BOLT, special	68	-	KB16/6
R EA3.81.5849	. . . . CABLE, assembly	1	-	KB16/7
R AS3180/4B	. . . . CLIP, 'P'	3	-	KB16/8
R EA6.10.2683	. . . . CURTAIN	2	-	KB16/9
R EA6.10.2589	. . . . FAIRING, canopy	1	-	KB16/10
R EB7.10.5093	. . . . FORK-END	1	-	KB16/11
R AGS2007C1	. . . . NUT, anchor	10	-	KB16/12
R AGS2001C1	. . . . NUT, stiff	2	-	KB16/13
R AGS2001B1	. . . . NUT, stiff	6	-	KB16/14
R EA3.80.1787	. . . . PLATE	2	L72 x 20 SWG	KB16/15
R AS2230-303	. . . . RIVET	20	-	KB16/16
R ND	. . . . SCREW, hook	8	-	KB16/17
R A33A20	. . . . SCREW	2	-	KB16/18
R EEAS1/2E	. . . . SCREW	2	-	KB16/19
R A33B6	. . . . SCREW	4	-	KB16/20
R EA3.10.309	. . . . SEAL, rubber (Make from 26FZ/208-EEAS74)	2	-	KB16/21
R EA3.10.311	. . . . SEAL, rubber (Make from 26FZ/208-EEAS74)	1	-	KB16/22
R EA3.10.313	. . . . SEAL, rubber (Make from 26FZ/208-EEAS74)	1	-	KB16/23
R SP15C	. . . . WASHER	2	-	KB16/24
R SP15B	. . . . WASHER	3	-	KB16/25
R ND	. . . . WIRE, 8" long	4	-	KB16/26
	(For installation details of the above refer to drawings EA3.10.6301 and EA3.10.6461)			

FUSELAGE  
FRONT FUSELAGE

Part Number	Description 1 2 3 4 5 6	No. Off	Matl. Spec.	Plate No.

FUSELAGE  
FRONT FUSELAGE

Part Number	1 2 3 4 5 6	Description	No. Off	Mati. Spec.	Plate No.
EA3.10.3481		HOOD COUPE TO FUSELAGE, ASSEMBLY	-	-	KB6/1
		Spares for:-			
EA3.10.2221		BOLT, special, explosive hood fixing	30	L65	KB6/2
EA3.10.2085		BOLT, special, explosive hood fixing	2	L65	KB6/3
EA1.10.1035		BUSH, coaming, tube explosive bolt	31	L40	KB6/4
EA1.10.1167		BUSH, coaming, explosive bolt entry	2	L40	KB6/5
EA1.10.1169		BUSH, coaming, tube explosive bolt entry	30	L40	KB6/6
EA1.10.1435		BUSH, coaming, tube explosive bolt	1	L40	KB6/7
-		COAMING TUBE, REPAIR FOR EXPLOSIVE BOLTS (EA3.03.35, ASD319RS) AND ASD617RS)	-	-	
		Spares for (Per Set):-			
EA3.03.47		BUSH, (First repair)	2	-	
EA3.03.129		BUSH, (Second repair)	2	-	
EA3.03.297		BUSH, (Third repair)	2	-	
EA3.03.45		BUSH, locking (First repair)	30	-	
EA3.03.127		BUSH, locking (Second repair)	30	-	
EA3.03.295		BUSH, locking (Third repair)	30	-	
EA3.03.41		BUSH, tapped (First repair)	31	-	
EA3.03.125		BUSH, tapped (Second repair)	31	-	
EA3.03.291		BUSH, tapped (Third repair)	31	-	
EA3.03.43		BUSH, tapped (First repair)	1	-	
EA3.03.201		BUSH, tapped (Second repair)	1	-	
EA3.03.293		BUSH, tapped (Third repair)	1	-	
EA3.03.37		TUBE, distance	31	-	
EA3.03.39		TUBE, distance	1	-	
EA3.00.509		HOOD, COUPE, C/W EDGE MEMBER, ASSEMBLY (EA3.15.125)	1	-	KB6/8
		Spares for:-			
EA3.10.3479		BRACKET, hinge	1	-	KB6/9
EA3.10.3480		BRACKET, hinge	1	-	KB6/10
EA6.10.2587		FAIRING, canopy, forward section	1	-	KB6/11
EA3.15.115		HOOD, ASSEMBLY	1	-	KB6/12
		Spares for:-			
EA1.15.9		BRACKET, fastener	1	L40	KB6/13
EA1.15.13		BRACKET, hinge	1	L40	KB6/14
EA3.15.109		BUSH, rubber	24	-	KB6/15
EA3.15.95		BUSH, rubber for attachment screws	148	-	KB6/16
EA1.81.689/1		CABLE ASSEMBLY, N57A, HEATED WINDSCREEN TO COUPE BREAK	1	-	KB6/17
		Spares for:-			
SIS1657		PLUG, 2 way, flat type R	1	-	KB6/18
SIS1658		SOCKET, 2 way, flat type R	1	-	KB6/19
EA1.15.19		EYE-BOLT, 2BA	1	DTD126A	KB6/20
EA3.15.129		LANDING, door, 12 SWG	1	L72	KB6/21
EA1.15.17		NUT, knurled, 2BA	1	L40	KB6/22
EA3.15.133		RING, sealing	1	L72	KB6/23
EA3.15.107		RING, packing	1	DTD838	KB6/24
EA3.15.135		SEALING, rubber, 1/32" thick	1	S/H30	KB6/25
EA3.15.87		SEALING, rubber, between edge member and hood	1	Natural Rubber	KB6/26
EA1.15.23		SPRING, 20 SWG	1	Spring Steel	KB6/27
EA3.15.131		WASHER, sealing, moulded rubber	1	S/H30	KB6/28

FUSELAGE  
FRONT FUSELAGE

Part Number	Description						No. Off	Matl. Spec.	Plate No.
	1	2	3	4	5	6			
EA3.15.105	.	.	.	.	.	WINDOW, DIRECT VISION, ASSEMBLY (MOD 519) (PRE-MOD 4333)	1	-	
EA3.15.139	.	.	.	.	.	WINDOW, DIRECT VISION, ASSEMBLY (MOD 4333)	1	-	KB6/29
R No. 1410	.	.	.	.	.	ADHESIVE, Bostic (Com Mod 0169)	QR	-	
EA1.15.161	.	.	.	.	.	BRACKET, fastener	1	L40	KB6/30
EA1.15.163	.	.	.	.	.	BRACKET, hinge c/w bushes	1	L40	KB6/31
EA1.15.173	.	.	.	.	.	PACKING, bracket, fastener	1	-	KB6/32
EA1.15.175	.	.	.	.	.	PACKING, bracket, hinge	1	-	KB6/33
EA3.15.69	.	.	.	.	.	PANEL, c/w elements (Pre-Mod 4333)	1	Toughened Glass	
EA3.15.137	.	.	.	.	.	PANEL, c/w elements (Mod 4333)	1	-	KB6/34
EA1.15.151	.	.	.	.	.	PLATE, 16 SWG	1	L73	KB6/35
EA1.15.145	.	.	.	.	.	RING, rubber insulator	1	S/H40	KB6/36
EA1.15.147	.	.	.	.	.	RING, rubber, sealing	1	S/H40	KB6/37
EA3.15.127	.	.	.	.	.	RING	1	LFS26	KB6/38
EA1.15.155	.	.	.	.	.	RING, sealing	1	Rubber	KB6/39
EA1.15.157	.	.	.	.	.	RING, clamping, 20 SWG	1	L72	KB6/40
R AHO.18822/15	.	.	.	.	.	RING, sealing (Com Mod 0619)	1	-	
EA3.15.111	.	.	.	.	.	TERMINAL	4	BSS369	KB6/41
R EA3.10.2223	.	.	.	.	.	MEMBER, edge, coupe hood	1	-	KB6/42
EA3.10.3451	.	.	.	.	.	PLATE, attachment, port	1	L72	KB6/43
EA3.10.3453	.	.	.	.	.	PLATE, attachment, starboard	1	L72	KB6/44
EA3.10.3455	.	.	.	.	.	PLATE, attachment, rear	1	L72	KB6/45
EA3.10.3457	.	.	.	.	.	PLATE, attachment, front	1	-	KB6/46
EA3.10.3061	.	.	.	.	.	SHIM, hinge bracket	4	-	KB6/47
EA3.10.3063	.	.	.	.	.	SHIM, hinge bracket	4	-	KB6/48
EA6.10.2679	.	.	.	.	.	STRIP, rubber for canopy, forward fairing (Make from Ref. 32C/4382968)	QR	Linatex	KB6/49
EA3.10.2249	.	.	.	.	.	SEAL, rubber strip, coaming tube to canopy 1/8" x 1 1/4" (Make from Ref. 32C/4382961)	QR	Linatex	KB6/50
EA3.10.2251	.	.	.	.	.	SEAL, rubber strip coaming tube to canopy 1/16" x 1 1/4" (Make from Ref. 32C/4382898)	QR	Linatex	KB6/51
EA3.10.2245	.	.	.	.	.	TUBE, COAMING, COUPE, ASSEMBLY	1	-	KB6/52
EA3.16.5025	.	.	.	.	.	BRACKET, TOP ATTACHMENT GUIDE RAIL, ASSEMBLY (MOD 4151)	2	-	KB6/53
EA3.16.5027	.	.	.	.	.	EYE-BOLT	1	S96	KB6/54
A27EP	.	.	.	.	.	Attaching parts for EA3.16.5027 :-			
EA1.10.847	.	.	.	.	.	Nut, 1/4" BSF	1	-	KB6/55
EA1.10.849	.	.	.	.	.	Washer, saddle	1	-	KB6/56
EA1.10.849	.	.	.	.	.	Washer, saddle	1	-	KB6/57
EA1.10.1657	.	.	.	.	.	CLIP, special, top half air drier mounting	4	DTD214	KB6/58
EA1.10.1659	.	.	.	.	.	CLIP, special, bottom half air drier mounting	4	DTD214	KB6/59
EA1.10.1501	.	.	.	.	.	CROSS-TUBE, canopy coaming	1	-	KB6/50
EA1.10.1663	.	.	.	.	.	NUT, special, knurled finger	8	L40	KB6/61
EA3.10.2773	.	.	.	.	.	PLATE, blast	1	L72	KB6/62
EA1.10.847	.	.	.	.	.	WASHER, saddle, special, pilot's seat, rear fixing	2	L40	KB6/63

FUSELAGE  
FRONT FUSELAGE

Part Number	Description	No. Off	Mati. Spec.	Plate No.
EG4.10.709	KEEL UNIT, COMPLETE, ASSEMBLY Spares for :-	1	-	KB7/1
EA3.11.655	BOLT, special (Make from A25/4E)	4	-	KB7/2
EA3.10.885	DOOR, probe, access Attaching parts for EA3.10.885 :-	1	-	KB7/3
AS 1248/1C	Bolt, 2BA	12	-	KB7/4
EB6.80.1047	FLOOR, NAVIGATOR'S SECTION Spares for :-	-	-	
EB6.80.7321	PLATE, assembly (Mod 5259) Spares for :-	1	-	
EB6.80.7323	INSULATION (Make from Fiberfax DS21 type GH 0.25" or 6mm thick)	1	-	
EB6.80.1097	PLATE	1	L72 x 22 SWG	
EG4.10.711	SKINNING PRESSURE CABIN KEEL UNIT, ASSEMBLY (MOD 4799) Spares for :-	-	-	KB7/5
-	DELETION OF K AERIAL (EA3.10.6615) (Mod 5223) Spares for :-	-	-	
EA3.10.6535	CLEAT	1	L73 x 18 SWG	
EA3.10.6519	PANEL, skin, starboard	1	L72 x 20 SWG	
EA3.10.6521	PANEL, skin, port	1	L72 x 20 SWG	
EA3.10.6533	STRAP, butt, 10.5" approx	1	L73 x 18 SWG	
EA3.10.6527	STRINGER, port, outboard (Make from EEDX68, Ref. 26FZ/4475, 19" long)	1	-	
EA3.10.6525	STRINGER, port, inboard (Make from EEDX68, Ref. 26FZ/4475, 28" long)	1	-	
EA3.10.6523	STRINGER, centre (Make from EEDX68, Ref. 26FZ/4475, 28" long)	1	-	
EA3.10.6531	STRINGER, starboard, outboard (Make from EEDX68, Ref. 26FZ/4475, 19" long)	1	-	
EA3.10.6529	STRINGER, starboard, inboard (Make from EEDX68, Ref. 26FZ/4475, 28" long)	1	-	
EA1.10.829	PLUG, DRAIN, ASSEMBLY Consisting of :-	1	-	KB7/6
EA1.10.827	HOUSING	1	L40	KB7/7
SP90E8	PIN, split (Pre-Mod 5100) (Alt. R60/48)	1	-	KB7/8
ANGUS.OR.12	RING, sealing	1	-	KB7/9
EA1.10.825	SCREW, special	1	L40	KB7/10

FUSELAGE  
FRONT FUSELAGE

Part Number	Description						No. Off	Mati. Spec.	Plate No.
	1	2	3	4	5	6			
R EG4.10.717	.	.	.	.	STRUCTURE, MAIN FLOOR PRESSURE CABIN KEEL UNIT, ASSEMBLY	-	-	KB7/11	
R EA3.10.2383	.	.	.	.	BOLT, special	4	S11	KB7/12	
R EA1.10.217	.	.	.	.	BRACKET, mounting, nosewheel pivot shaft, assembly, L.H.	1	-	KB7/13	
R EA1.10.219	.	.	.	.	BRACKET, mounting, nosewheel pivot shaft, assembly, L.H. (long term fleet aircraft fit)	1	-		
R EA1.10.218	.	.	.	.	BRACKET, mounting, nosewheel pivot shaft, assembly, R.H.	1	-	KB7/24	
R EA1.10.220	.	.	.	.	BRACKET, mounting, nosewheel pivot shaft, assembly, R.H. (long term fleet aircraft fit)	1	-		
R EA1.10.2685	.	.	.	.	CAP	1	-	KB7/14	
R A26/15J	.	.	.	.	Attaching parts for EA1.10.2685 :- Bolt	2	-	KB7/15	
R A27JS	.	.	.	.	Nut	2	-	KB7/16	
R SP9C8	.	.	.	.	Pin, split	2	-	KB7/17	
R EA3.10.2793	.	.	.	.	Washer	2	L65	KB7/18	
R SP21	.	.	.	.	NIPPLE	1	-	KB7/19	
R EA1.10.217A	.	.	.	.	SPIGOT	1	S96	KB7/20	
R A25/4E	.	.	.	.	Attaching parts for EA1.10.217, EA1.10.219, EA1.10.218 or EA1.10.220 :- Bolt, 1/4" BSF	10	-	KB7/21	
R A25/6E	.	.	.	.	Bolt, 1/4" BSF	2	-	KB7/22	
R EA3.10.2383	.	.	.	.	Bolt, special	2	S11	KB7/23	

FUSELAGE  
FRONT FUSELAGE

Part Number	Description 1 2 3 4 5 6	No. Off	Mati. Spec.	Plate No.

FUSELAGE  
FRONT FUSELAGE

Part Number	Description						No. Off	Matl. Spec.	Plate No.	
	1	2	3	4	5	6				
EG4.10.737	.	.	.	.	.	.	BULKHEAD, PRESSURE, ASSEMBLY	—	—	KB7/25
EA9.10.5091	.	.	.	.	.	.	Spares for :— BRACKET, FORWARD LATCH, ASSEMBLY	1	—	KB7/26
EA3.10.1739	.	.	.	.	.	.	Spares for :— BLOCK	1	—	KB7/27
A25/25E	.	.	.	.	.	.	Attaching parts for EA3.10.1739 :— Bolt, 1/4" BSF	2	—	KB7/28
A27ET	.	.	.	.	.	.	Nut, 1/4" BSF	2	—	KB7/29
AS2811/6/135	.	.	.	.	.	.	Tube, distance	2	L62	KB7/30
EA1.10.1429	.	.	.	.	.	.	PLATE	1	—	KB7/31
A45C16	.	.	.	.	.	.	Attaching parts for EA1.10.1429 :— Screw, 2BA	2	—	KB7/32
EA1.10.1431	.	.	.	.	.	.	Shim	QR	—	KB7/33
EA9.10.5093	.	.	.	.	.	.	PLATE, side	1	—	KB7/26A
EA9.10.5095	.	.	.	.	.	.	PLATE, side	1	—	KB7/26B
NORMALAIR 504600	.	.	.	.	.	.	CONNECTOR, ground pressurising	1	—	KB7/34
EC2.10.3157	.	.	.	.	.	.	PACKER (Make from 30B/9611244)	1	L73 x 18 SWG	
EA4.81.6465	.	.	.	.	.	.	PLATE, blanking (Make from 30B/9611325)	1	L72 x 16 SWG	
EC2.10.3159	.	.	.	.	.	.	PLATE, blanking (Make from 30B/9611243)	1	L73 x 16 SWG	
EA1.81.943	.	.	.	.	.	.	STUD, mounting, assembly	8	—	KB7/35
EA3.81.1165	.	.	.	.	.	.	STUD, mounting, assembly	2	—	KB7/36
EA1.10.231	.	.	.	.	.	.	BUSH	1	DTD127	KB7/37
SCD78996	.	.	.	.	.	.	PANEL, removable, navigator's floor	1	L72	
SCD78997	.	.	.	.	.	.	PANEL, removable, navigator's floor	1	L72	
A32B16	.	.	.	.	.	.	18 SWG Attaching parts for SCD78996 or SCD78997 :— Screw, 4BA	QR	—	
SCB79040	.	.	.	.	.	.	STUD, machined, for attachments of navigator's vertical wall	1	L65	
A25/5C	.	.	.	.	.	.	Attaching parts for SCB79040 :— Bolt, 2BA	8	—	
A27CP	.	.	.	.	.	.	Nut, 2BA	8	—	
SP15C	.	.	.	.	.	.	Washer	8	—	
EA1.10.621	.	.	.	.	.	.	STRINGER, port outboard (Pre-Mod 5223)	1	—	
EA1.10.619	.	.	.	.	.	.	STRINGER, port inboard (Pre-Mod 5223)	1	—	
EA1.10.617	.	.	.	.	.	.	STRINGER, centre (Pre-Mod 5223)	1	—	
EA1.10.622	.	.	.	.	.	.	STRINGER, starboard, outboard (Pre-Mod 5223)	1	—	
EA1.10.620	.	.	.	.	.	.	STRINGER, starboard, inboard (Pre-Mod 5223)	1	—	
EA3.10.2381	.	.	.	.	.	.	WINDOW, aerial (Pre-Mod 5223)	1	—	

FUSELAGE  
FRONT FUSELAGE

Part Number	Description	No. Off	Mati. Spec.	Plate No.
EA3.10.2901	. . . NOSE, PERSPEX, ASSEMBLY Consisting of :-	1	-	KB10/1
AS1242/9C	. . . . BOLT, 2BA	128	-	KB10/2
AS1242/10C	. . . . BOLT, 2BA	7	-	KB10/3
EA2.10.1501	. . . . BUSH, nose fixing, bolt	34	Natural Rubber	KB10/4
EA2.10.659	. . . . BUSH, nose fixing, bolt (Make from Ref. 4166)	64	Natural Rubber	KB10/5
EA3.10.2899	. . . . NOSE, perspex	1	-	KB10/6
AGS2001C1/66	. . . . NUT, 2BA	135	-	KB10/7
EA2.10.653	. . . . RING, half retaining, window, inner seal	1	L72	KB10/8
EA2.10.655	. . . . RING, half retaining, window, inner seal	1	L72	KB10/9
EA2.10.1601	. . . . RING, half, retaining, window seal	1	L72	KB10/10
EA2.10.1603	. . . . RING, half, retaining, window seal	1	L72	KB10/11
EA2.10.685	. . . . RING, rubber, inner seal	1	HRC	KB10/12
EA2.10.1503	. . . . STRAP, rubber, window seal	1	HRC	KB10/13
EA2.10.665	. . . . STRAP, joint, assembly	4	-	KB10/14
EA2.10.657	. . . . STRIP, sealing	1	Natural Rubber	KB10/15
EA2.10.661	. . . . STRIP, inner, retaining, ring seal	1	Natural Rubber	KB10/16
EA2.10.687	. . . . WINDOW, observation, bomb aimer's	1	Triplex	KB10/17
EA1.10.1131	. . . . PIECE, distance (Pre-Mod 5100)	21	T4	KB5/55
EA1.10.1133	. . . . PIECE, distance (Pre-Mod 5100)	13	T4	KB5/56
EA1.10.1133	. . . . PIECE, distance (Mod 5100)	11	L62	
EA3.10.6411	. . . . PIECE, distance (Alt. R60/88-Mod 5100)	2	L105	
EA3.10.6413	. . . . PIECE, distance (Alt. R60/88-Mod 5100)	21	L105	
EA3.10.1509	. . . . PLATE, backing, door seal, forward, upper	1	-	
EA3.10.1510	. . . . PLATE, backing, door seal, aft, upper	1	-	
EA3.10.1511	. . . . PLATE, backing, door seal, forward, lower	1	-	
EA3.10.1512	. . . . PLATE, backing, door seal, aft, lower	1	-	
EA3.10.3007	. . . . PLATE, nut for navigator's lamp, mounting bracket (Pre-Mod 3423)	1	-	
EA3.10.3821	. . . . PLATE, nut (Mod 3423)	1	-	
EA3.10.3247	. . . . PLATE, pressure hinge, assembly	1	-	
EA3.10.3817	. . . . SCREW, special (Make from EEAS1/4½E)	2	-	
EA3.10.2917	. . . . SCREW, ¼" BSF, securing navigator's penetrable hatch (Pre-Mod 5100)	68	-	KB5/65
EA3.10.153	. . . . SEAL, inner, navigator's window	1	Natural Rubber	KB11/17
EA3.10.155	. . . . SEAL, outer, rubber, navigator's window	1	Natural Rubber	KB11/18
EA3.10.549	. . . . SEAL, pressure, navigator's escape hatch	1	BTR8853	KB5/58
EA1.10.1171	. . . . SEAL, door, pressure cabin entrance	1	BTR8853	KB3/51

FUSELAGE  
FRONT FUSELAGE

Part Number	Description	No. Off	Mtl. Spec.	Plate No.
EG4.10.705	. . . SKINNING, STRUCTURE, PRESSURE CABIN, ASSEMBLY Spares for:—	—	—	
EG4.10.707	. . . . STRUCTURE, PRESSURE CABIN Spares for:—	—	—	
EA1.10.887	. . . . . BEARER, hinge, main entrance door	2	S96	
EA1.10.889	. . . . . BEARER, hinge, main entrance door	2	S96	
EA1.10.43	. . . . . FRAME No. 4, PORT, ASSEMBLY Spares for:—	1	—	
EA1.10.383	. . . . . BRACKET, attachment coupe	1	—	
EA1.10.45	. . . . . FRAME, No. 4, STARBOARD, ASSEMBLY Spares for:—	1	—	
EA1.10.384	. . . . . BRACKET, attachment, coupe	1	—	
EA3.10.279	. . . . . FRAME, 7A port assembly (Alt. R60/88 R1)	1	—	
EA3.10.282	. . . . . FRAME, 8A, starboard assembly (Alt. R60/88 R1)	1	—	
EA3.10.283	. . . . . FRAME, 9A, port assembly (Alt. R60/88 R1)	1	—	
EA3.10.284	. . . . . FRAME, 9A, starboard assembly (Alt. R60/88 R1)	1	—	
EA3.10.2931	. . . . . HINGE, CASTING, ASSEMBLY, AFT, MAIN ENTRANCE DOOR (PRE-MOD 5028)	1	—	
EA3.10.1815	. . . . . HINGE, CASTING, ASSEMBLY, AFT, MAIN ENTRANCE DOOR (MOD 5028) Spares for:—	1	—	
SKEFKO				
CBS3	. . . . . BEARING, ballrace	4	—	
EA1.10.1441	. . . . . BOLT, guide	1	—	
EA3.10.2925	. . . . . CAP, end sealing	1	—	
A27CT	. . . . . NUT, lock, 2BA	1	—	
EA3.10.2927	. . . . . TUBE, distance	2	—	
EA1.10.1439	. . . . . HINGE, CASTING, ASSEMBLY, FORWARD, MAIN ENTRANCE DOOR (PRE-MOD 5028)	1	—	
EA3.10.1813	. . . . . HINGE, CASTING, ASSEMBLY, FORWARD, MAIN ENTRANCE DOOR (MOD 5028) Spares for:—	1	—	
SKEFKO				
CBS3	. . . . . BEARING, ballrace	4	—	
EA1.10.1441	. . . . . BOLT, guide	1	—	
EA3.10.2925	. . . . . CAP, end sealing	1	—	
A27CT	. . . . . NUT, lock, 2BA	1	—	
EA3.10.2927	. . . . . TUBE, distance	2	—	
EA1.10.1155	. . . . . HINGE, RELEASE MECHANISM, ASSEMBLY MAIN ENTRANCE DOOR Spares for:—	1	—	
EA1.10.869	. . . . . BRACKET	1	—	
EA1.10.881	. . . . . COLLAR, aft	1	—	
EA1.10.1437	. . . . . COLAR, forward	1	—	
EA1.10.871	. . . . . SHAFT	1	—	
EA1.10.877	. . . . . SLEEVE, locating	1	—	
EA1.10.873	. . . . . SPINDLE, worm (Pre-Mod 603)	1	—	
EA3.10.2827	. . . . . SPINDLE, worm (Mod 603)	1	—	
EA1.10.875	. . . . . WHEEL, worm	1	—	
EB6.10.395	. . . . . SUPPORT, AERIAL ASSEMBLY (Alt. R60/88 R1) Spares for:—	—	—	
EB6.10.399	. . . . . CHANNEL, support, frame 8A	1	—	
EB6.10.401	. . . . . CHANNEL, support, frame 8A	1	—	
EB6.10.411	. . . . . CLEAT, frame 8A	1	—	
EB6.10.415	. . . . . CLEAT, frame 8A	1	—	
EB6.10.419	. . . . . CLEAT, frame 8A	1	—	
EB6.10.403	. . . . . DIAPHRAGM, frame 8A	1	—	

FUSELAGE  
FRONT FUSELAGE

Part Number	Description						No. Off	Matl. Spec.	Plate No.
	1	2	3	4	5	6			
EG4.10.713	.	.	.	.	.	.	-	-	KB8/1
EA1.10.187	.	.	.	.	.	.	2	-	KB8/2
EA1.10.177	.	.	.	.	.	.	3	-	KB8/4A
R AS2850P	.	.	.	.	.	.	1	-	KB8/3
AS5382	.	.	.	.	.	.	1	-	KB8/4B
AS2558	.	.	.	.	.	.	1	-	KB8/5
AS2552	.	.	.	.	.	.	1	-	KB8/6
R FGS.50	.	.	.	.	.	.	1	-	
R or FFE 4									
AS2532	.	.	.	.	.	.	1	-	KB8/7
AS2559	.	.	.	.	.	.	1	-	KB8/8
AS5381	.	.	.	.	.	.	1	-	KB8/9
AS2534	.	.	.	.	.	.	1	-	KB8/10
AS2566	.	.	.	.	.	.	1	-	KB8/11
A33/B12	.	.	.	.	.	.	11	-	KB8/13
EA1.10.2503	.	.	.	.	.	.	1	-	KB8/12
EA1.10.185	.	.	.	.	.	.	1	-	
EA1.10.183	.	.	.	.	.	.	1	-	KB8/4
EA1.10.181	.	.	.	.	.	.	1	-	
EA1.10.1815	.	.	.	.	.	.	1	-	KB8/14
EA3.10.2805	.	.	.	.	.	.	1	-	KB8/15
EA3.10.2809	.	.	.	.	.	.	1	L73	KB8/16
AGS2001B1	.	.	.	.	.	.	1	-	KB8/17
A33B16	.	.	.	.	.	.	1	-	KB8/18
EA3.10.2807	.	.	.	.	.	.	1	-	KB8/19
EG5.10.167	.	.	.	.	.	.	-	-	
EG5.10.169	.	.	.	.	.	.	1	L65	
EG5.10.173	.	.	.	.	.	.	1	S80	
EEAS28/30ER	.	.	.	.	.	.	1	L72	
EA1.10.1033	.	.	.	.	.	.	1	-	KB8620
EA3.10.2289	.	.	.	.	.	.	1	-	KB1/6
EEAS1/3C	.	.	.	.	.	.	24	-	KB8/21
EA3.10.2567	.	.	.	.	.	.	1	-	KB1/7

AP101B-0415-3A

## FUSELAGE

Page KB.17

## FRONT FUSELAGE

Part Number	Description						No. Off	Matl. Spec.	Plate No.
	1	2	3	4	5	6			
EG4.10.715	.	.	.	.	.	.	-	-	KB8/22
EB6.10.279	.	.	.	.	.	.	2	-	KB8/22A
A25/1E	.	.	.	.	.	.	2	-	KB8/22B
EB6.10.265	.	.	.	.	.	.	1	-	
EG4.10.119	.	.	.	.	.	.	-	-	KB8/23
EA9.10.4545	.	.	.	.	.	.	1	-	
EA1.10.70	.	.	.	.	.	.	1	-	
EA3.10.3206	.	.	.	.	.	.	1	-	
ASD292RS1	.	.	.	.	.	.	1	-	
ASD292RS5P	.	.	.	.	.	.	1	-	
ASD292RS5S	.	.	.	.	.	.	1	-	
ASD292RS6P	.	.	.	.	.	.	1	L73	
R ASD292RS6S	.	.	.	.	.	.	1	L73	
R ASD292RS4S	.	.	.	.	.	.	1	-	
R ASD292RS4P	.	.	.	.	.	.	1	-	
ASD292RS4S	.	.	.	.	.	.	1	-	
ASD292RS3	.	.	.	.	.	.	1	L73	
ASD292RS2	.	.	.	.	.	.	1	S514	
EA3.71.389	.	.	.	.	.	.	2	-	KB8/24
A25/3C	.	.	.	.	.	.	8	-	KB8/25
A25/3C	.	.	.	.	.	.	6	-	KB8/26
A25/10C	.	.	.	.	.	.	2	-	KB8/27
SP13C	.	.	.	.	.	.	4	-	KB8/28

FUSELAGE  
FRONT FUSELAGE

Part Number	Description						No. Off	Mati. Spec.	Plate No.
	1	2	3	4	5	6			
EA1.10.557	.	.	.	.	.	.	1	-	KB8/72
EB6.75.699	.	.	.	.	.	.	1	-	KB8/73
EA1.10.1621	.	.	.	.	.	.	1	-	
EA1.10.909	.	.	.	.	.	.	1	-	
									(Supplied to Part No. EA3.00.596 for spares purposes)
EA6.10.775	.	.	.	.	.	.	2	-	
EA1.10.1383	.	.	.	.	.	.	1	L72	
EA3.10.3333	.	.	.	.	.	.	1	-	KB6/29
or EK5.10.805	.	.	.	.	.	.	1	-	
									BRACKET, LOCK LEVER ASSEMBLY STARBOARD (ALT. R60/15-MOD 5100)
EA3.10.3150	.	.	.	.	.	.	1	-	KB8/30
or EK5.10.808	.	.	.	.	.	.	1	-	
EA3.10.3335	.	.	.	.	.	.	1	-	KB8/31
									LEVER, LOCK, ASSEMBLY
EA3.10.3349	.	.	.	.	.	.	1	-	KB8/32
EA3.10.3337	.	.	.	.	.	.	1	-	KB8/33
SP21	.	.	.	.	.	.	1	-	KB8/34
EA3.10.3099	.	.	.	.	.	.	1	-	KB8/35
A27ES	.	.	.	.	.	.	1	-	KB8/36
EA3.10.3351	.	.	.	.	.	.	1	-	KB8/37
SP90C7	.	.	.	.	.	.	1	-	KB8/38
EA3.10.3347	.	.	.	.	.	.	1	-	KB8/39
EA3.10.3339	.	.	.	.	.	.	2	-	KB8/40
SP15E	.	.	.	.	.	.	1	-	KB8/41
									Attaching parts for EA3.10.3335 :-
EA3.10.3219	.	.	.	.	.	.	1	-	KB8/42
A27GS	.	.	.	.	.	.	1	-	KB8/43
SP90C7	.	.	.	.	.	.	1	-	KB8/44
EA1.10.1407	.	.	.	.	.	.	1	-	KB8/45
SP15G	.	.	.	.	.	.	1	-	KB8/46
EA3.71.403	.	.	.	.	.	.	7	-	KB8/47
									BRACKET, oxygen, mounting beam
A25/3C	.	.	.	.	.	.	4	-	KB8/48
A25/9C	.	.	.	.	.	.	4	-	KB8/49
A25/11C	.	.	.	.	.	.	4	-	KB8/50
AGS2001C1/66	.	.	.	.	.	.	4	-	KB8/51
AS2811/5/07	.	.	.	.	.	.	4	L62	KB8/52
SP16C	.	.	.	.	.	.	4	-	KB8/53
EA3.10.6571	.	.	.	.	.	.	1	-	
									BRACKET (Pre-Mod 5100) (Still used on aircraft with front fuselage married up)
EA1.10.1179	.	.	.	.	.	.	1	-	
									BRACKET (Alt. R60/301-Mod 5100) (Used on aircraft with front fuselage de-married)
EA3.10.6375	.	.	.	.	.	.	1	L72	
									CLEAT, nosewheel up latch spring (S.O.O.-Mod 4449)

FUSELAGE  
FRONT FUSELAGE

Part Number	Description						No. Off	Matl. Spec.	Plate No.
	1	2	3	4	5	6			
EA3.10.2447	.	.	.	.	.	.	1	-	KB8/54
EA3.10.3353	.	.	.	.	.	.	1	-	KB8/55
A32C16	.	.	.	.	.	.	4	-	KB8/56
EA3.00.873	.	.	.	.	.	.	1	-	KB8/57
EA3.00.874	.	.	.	.	.	.	1	-	KB8/58
A25/2C	.	.	.	.	.	.	19	-	KB8/59
AGS2001C1/66	.	.	.	.	.	.	19	-	KB8/60
SP13C	.	.	.	.	.	.	19	-	KB8/61
-	.	.	.	.	.	.	-	-	
EA1.10.1177	.	.	.	.	.	.	1	-	
EA3.10.6575	.	.	.	.	.	.	1	-	
EA3.10.2455	.	.	.	.	.	.	1	-	
EA3.10.6577	.	.	.	.	.	.	1	-	
EA6.10.1815	.	.	.	.	.	.	1	-	
EA3.10.6579	.	.	.	.	.	.	1	-	
AS1242/2C	.	.	.	.	.	.	3	-	
AGS2019C1	.	.	.	.	.	.	3	-	
EA3.10.3161	.	.	.	.	.	.	1	-	KB8/62
or									
EK5.10.803	.	.	.	.	.	.	1	-	
EA3.10.3149	.	.	.	.	.	.	1	-	KB8/63
or									
EK5.10.807	.	.	.	.	.	.	1	-	
EA3.10.3159	.	.	.	.	.	.	1	-	KB8/64
EA3.10.3219	.	.	.	.	.	.	1	-	KB8/65
A27GS	.	.	.	.	.	.	1	-	KB8/66
SP90C7	.	.	.	.	.	.	1	-	KB8/67
EA1.10.1407	.	.	.	.	.	.	1	-	KB8/68
SP15G	.	.	.	.	.	.	1	-	KB8/69
EA3.10.6539	.	.	.	.	.	.	6	L65	
EA6.10.1091	.	.	.	.	.	.	1	-	
EA1.10.1697	.	.	.	.	.	.	1	-	KB8/70
EA1.10.1698	.	.	.	.	.	.	1	-	KB8/71
EA1.10.771	.	.	.	.	.	.	1	-	KB8/74
A25/3E	.	.	.	.	.	.	8	-	KB8/75
EA3.10.3223	.	.	.	.	.	.	2	-	KB8/72A
A25/6E	.	.	.	.	.	.	2	-	KB8/72B
A27EP	.	.	.	.	.	.	2	-	KB8/72C
SP15E	.	.	.	.	.	.	1	-	KB8/72D
SP16E	.	.	.	.	.	.	1	-	KB8/72E

FUSELAGE  
FRONT FUSELAGE

Part Number	Description	No. Off	Mati. Spec.	Plate No.
EA1.10.1345	. . . SOCKET, front, frame, entrance door bolt	1	-	
EA1.10.1347	. . . SOCKET, rear, frame, entrance door bolt Attaching parts for EA1.10.1345 and EA1.10.1347 :-	1	-	
AS1242/4C	. . . Bolt, 2BA	2	-	
AS1242/5C	. . . Bolt, 2BA	2	-	
AGS2001C1/66	. . . Nut, 2BA	4	-	
DZUS S4/250	. . . SPRING, fastener, hydraulic reservoir access door	6	-	KB11/20
EA3.10.3255	. . . STRAP, main door jettison handle stowage	1	-	KB3/52
EG4.10.719	. . . STRUCTURE, NOSE, FORWARD OF FRAME 1 ASSEMBLY	-	-	KB11/1
EB6.10.295	. . . BRACKET, spigot (Pre-Mod 3958) Attaching parts for EB6.10.295 :-	2	S10 or S91	
AS1242/2B	. . . Bolt, 4BA	4	-	
AGS2001B1	. . . Nut, 4BA	4	-	
SP13B	. . . Washer	4	-	
EG4.10.293	. . . BRACKET, spigot (Mod 3958-S.O.O.) Attaching parts for EG4.10.293 :-	1	-	
AS1242/4C	. . . Bolt, 2BA	2	-	
AS1242/3B	. . . Bolt, 4BA	4	-	
AGS2001B1	. . . Nut, 4BA	4	-	
AGS2001C1/66	. . . Nut, 2BA	2	-	
EG4.10.429	. . . BRACKET, spigot (Mod 3958-S.O.O.) Attaching parts for EG4.10.429 :-	1	-	
AS1242/4C	. . . Bolt, 2BA	2	-	
AS1242/3B	. . . Bolt, 4BA	1	-	
AS1242/13B	. . . Bolt, 4BA	2	-	
AGS2001C1/66	. . . Nut, 2BA	2	-	
AGS2001B1	. . . Nut, 4BA	3	-	
SP16C	. . . Washer	2	-	
SP16B	. . . Washer	3	-	
EA3.10.983	. . . BUSH, rubber, window fixing screw	20	-	KB11/2
EA2.10.477	. . . FRAME, seal retaining	1	-	KB11/3

FUSELAGE  
FRONT FUSELAGE

Part Number	1 2 3 4 5 6	Description	No. Off	Mati. Spec.	Plate No.
EG4.10.479	. . .	PANEL, access to air dryer tube (Make from Part No. EA3.10.1583, Ref. 15785)	1	L72	KB11/4
		Attaching parts for EG4.10.479 :-			
A25/1C	. . .	Bolt, 2BA	2	-	KB11/4A
AS1248/1/2C	. . .	Bolt, 2BA	4	-	KB11/4B
SP15C	. . .	Washer	2	-	KB11/4C
SCB79320/1	. . .	PLATE, blanking	1	-	
		Attaching parts for SCB79320/1 :-			
A32C20	. . .	Screw, 2BA	5	-	
EA3.10.6507	. . .	PLUG, DRAIN, INSTALLATION AT FRAME 1 (ALT. R60/43-MOD 5100)	-	-	
		Spares for :-			
EA1.10.829	. . . .	PLUG, DRAIN, ASSEMBLY	1	-	
		Consisting of :-			
EA1.10.827	. . . . .	HOUSING	1	L65	
ANGUS OR. 12	. . . . .	RING, sealing	1	-	
EA1.10.825	. . . . .	SCREW, special	1	L65	
EA2.10.473	. . . . .	SEAL, rubber	1	-	KB11/5
EA2.10.475	. . . . .	SEAL, rubber	1	-	KB11/6
EC1.81.669	. . . . .	STOWAGE, plug	1	-	KB11/7
9/3572	. . . . .	STOWAGE, flexible drive	2	-	KB11/8
EG4.10.323	. . . . .	STRAP, reinforcing from "A" (Mod 3958-S.O.O.)	1	-	
EA2.10.471	. . . . .	WINDOW, bomb aimer's	1	-	KB11/9
EA1.20.1033	. . . . .	WASHER, special	16	-	KB6/64
EA3.10.3023	. . . . .	WASHER, sealing, for escape hatch pivot	2	-	KB5/59
EA3.10.361	. . . . .	WINDOW, navigator's c/w valve	1	-	KB11/10

R

FUSELAGE  
FRONT FUSELAGE

Part Number	Description	No. Off	Matl. Spec.	Plate No.
EB6.45.29	. GEAR, EMERGENCY RELEASE MECHANISM BOMB DOOR AND UNDERCARRIAGE	-	-	KB9/1
EA1.45.815	. . BRACKET AND HANDLE AT FRAMES 1 AND 2 ASSEMBLY Spares for :-	-	-	KB9/2
EA1.45.1041	. . . BRACKET, bottom, frame 1	1	-	KB9/3
EA2.42.201	. . . BRACKET, top, frame 1	1	-	KB9/4
EA1.45.831	. . . BRACKET, bottom, frame 2	1	-	KB9/5
EA1.45.829	. . . BRACKET, top, frame 2 Attaching parts for EA1.45.1041, EA2.45.201, EA1.45.831 and EA1.45.829 :-	1	-	KB9/6
A25/1C	. . . Bolt, 2BA	3	-	KB9/7
AGS2001C1/66	. . . Nut, 2BA	3	-	KB9/8
SP15C	. . . Washer	3	-	KB9/9
EA3.45.633	. . . HANDLE, operating (Mod 5220) Attaching parts for EA3.45.291 :-	1	-	KB9/10
A25/1C	. . . Bolt, 2BA	4	-	KB9/11
SP15C	. . . Washer	4	-	KB9/12
AS107 or AS1151	. . . PULLEY, shrouded	2	-	KB9/13
A25/8E	. . . PULLEY, shrouded	2	-	
AGS2001E1/66	. . . Attaching parts for AS107 or AS1151 :-			
SP16E	. . . Bolt, 1/2" BSF	1	-	KB9/14
5E5253563	. . . Nut, 1/2" BSF	1	-	KB9/15
	. . . Washer	1	-	KB9/16
	. . . WIRE, copper, enamelled	QR	-	
EA1.45.813	. . BRACKET AND LEVER AT FRAME 4, ASSEMBLY Spares for :-	-	-	KB9/17
EA1.45.875	. . . BRACKET, bottom inboard	1	-	KB9/18
EA1.45.877	. . . BRACKET, bottom outboard	1	-	KB9/19
EA1.45.871	. . . BRACKET, top, inboard	1	-	KB9/20
EA1.45.873	. . . BRACKET, top, outboard Attaching parts for EA1.45.875, EA1.45.877, EA1.45.871 and EA1.45.873 :-	1	-	KB9/21
AS1242/1C	. . . Bolt, 2BA (As required)	1	-	KB9/22
A25/1C	. . . Bolt, 2BA (As required)	11	-	KB9/23
AGS2001C1/66	. . . Nut, 2BA (As required)	12	-	KB9/24
SP15C	. . . Washer (As required)	12	-	KB9/25

R

AP101B-0415-3A

Page KB.23

FUSELAGE  
FRONT FUSELAGE

Part Number	1 2 3 4 5 6	Description	No. Off	Matl. Spec.	Plate No.
EA1.45.883	. . .	FAIRLEAD	1	—	KB9/26
		Attaching parts for EA1.45.883 :—			
A25/6C	. . .	Bolt, 2BA	2	—	KB9/27
AGS2001C1/66	. . .	Nut, 2BA	2	—	KB9/28
EA3.45.295	. . .	LEVER, assembly (Mod 306)	1	—	KB9/29
		Attaching parts for EA3.45.295 :—			
A25/3E	. . .	Bolt, 1/4" BSF	1	—	KB9/30
AGS2001E1/66	. . .	Nut, 1/4" BSF	1	—	KB9/31
SP16E	. . .	Washer	1	—	KB9/32
EEAS15/75/ 150ER	. . .	PLATE, link, lower	2	—	KB9/33
		Attaching parts, link to cable :—			
AGS899/1	. . .	Collar	1	—	KB9/33A
SP4Y/A14	. . .	Pin, shackle	1	—	KB9/33B
SP90C4	. . .	Pin, split	1	—	KB9/33C
AS2811/5/025	. . .	Tube, distance, 17 SWG	2	L62	KB9/33D
EA1.45.909	. . .	PLATE, link, upper	2	—	KB9/34
		Attaching parts for EA1.45.909 :—			
AGS899/2	. . .	Collar	1	—	KB9/35
SP4Y/B14	. . .	Pin	1	—	KB9/36
SP90C4	. . .	Pin, split	1	—	KB9/36A
EA1.45.1317	. . .	Tube, distance	2	—	KB9/37
R AS107	. . .	PULLEY, shrouded	2	—	KB9/38
or					
AS1151	. . .	PULLEY, shrouded	2	—	
		Attaching parts for AS107 or AS1151 :—			
A25/8E	. . .	Bolt, 1/4" BSF (As required)	1	—	KB9/39
A25/9E	. . .	Bolt, 1/4" BSF (As required)	1	—	KB9/40
AGS2001E1/66	. . .	Nut, 1/4" BSF	1	—	KB9/41
SP16E	. . .	Washer	1	—	KB9/42
EA1.45.1055	. . .	SECTOR, locking, quadrant	1	—	
R 5E5253563	. . .	WIRE, copper, enamelled	QR	—	

FUSELAGE  
FRONT FUSELAGE

Part Number	Description	No. Off	Matl. Spec.	Plate No.
EA1.45.893	. . CABLES BOMB DOOR AND UNDERCARRIAGE, ASSEMBLY (PRE-MOD 306)	1	-	-
EA3.45.275	. . CABLES BOMB DOOR AND UNDERCARRIAGE, ASSEMBLY (MOD 306)	1	-	KB9/43
EA2.45.413	. . . BARREL, pressure seal	1	-	KB9/44
AGS.2030/147	. . . CIRCLIP, 47/64" bore, internal	1	-	KB9/45
EA1.45.1129	. . . ROLLER, aft end bomb door	1	-	KB9/46
SP8Y13	. . . ROLLER	3	-	KB9/47
EA1.45.889	. . . WASHER, felt, pressure seal	7	-	KB9/48
EA1.45.891	. . . WASHER, retaining, pressure seal	1	-	KB9/49
EA3.45.275A	. . . WIRE, flexible, steel, bomb door	1	6W2/4	KB9/50
EA3.45.275B	. . . WIRE, flexible, steel, undercarriage	1	6W2/4	KB9/51
EA1.45.883	. . FAIRLEAD, frame 3	1	-	KB9/52
EA1.45.881	. . FAIRLEAD, frame 5 to 11	7	-	KB9/53
A25/6C	. . Bolt, 2BA	2	-	KB9/53A
AGS2001C1/66	. . Nut, 2BA	2	-	KB9/53B
EA1.45.1121	. . FAIRLEAD, frame 12A (Trim on assembly) Attaching parts for EA1.45.1121 :-	1	-	KB9/54
AS1242/5B	. . Bolt, 4BA	2	-	KB9/55
AGS2001B1	. . Nut, 4BA	2	-	KB9/56
A33B24	. . Screw, 4BA	2	-	KB9/57
SP15B	. . Washer	2	-	KB9/58
EA2.45.415	. . WASHER, wedge, pressure bulkhead Attaching parts for EA2.45.415 :-	2	-	KB9/59
A25/10C	. . Bolt, 2BA	2	-	KB9/60
AGS2001C1/66	. . Nut, 2BA	2	-	KB9/61

FUSELAGE  
FRONT FUSELAGE

Part Number	Description	No. Off	Matl. Spec.	Plate No.
EG4.73.103	HYDRAULIC EQUIPMENT IN FRONT FUSELAGE (See chapter SH)	—	—	
EA3.17.5245	INSULATION, PRESSURE CABIN (Alt. R60/109) Spares for:—	—	—	KB12/1
EA3.17.5247	BLANKET	1	—	KB12/2
EA3.17.5249	BLANKET	1	—	KB12/3
EA3.17.5251	BLANKET	1	—	KB12/4
EA3.17.5259	BLANKET	1	—	KB12/5
EA3.17.5261	BLANKET	1	—	KB12/6
EA3.17.5263	BLANKET	1	—	KB12/7
EA3.17.5253	BLANKET	1	—	KB12/8
EA3.17.5255	BLANKET	1	—	KB12/9
EA3.17.5265	BLANKET	1	—	KB12/10
EA3.17.5267	BLANKET	1	—	KB12/11
EA3.17.5271	BLANKET	1	—	KB12/12
EA3.17.5269	BLANKET	1	—	KB12/13
EA3.17.5331	BLANKET	1	—	KB12/14
EA3.17.5273	BLANKET	1	—	KB12/15
EA3.17.5275	BLANKET	1	—	KB12/16
EA3.17.5277	BLANKET	1	—	KB12/17
EA3.17.5279	BLANKET	1	—	KB12/18
EA3.17.5281	BLANKET	1	—	KB12/19
EA3.17.5283	BLANKET	1	—	KB12/20
EA3.17.5285	BLANKET	1	—	KB12/21
EA3.17.5287	BLANKET	1	—	KB12/22
EA3.17.5289	BLANKET	1	—	KB12/23
EA3.17.5291	BLANKET	1	—	KB12/24
EA3.17.5293	BLANKET	1	—	KB12/25
EA3.17.5295	BLANKET	1	—	KB12/26
EA3.17.5297	BLANKET	1	—	KB12/27
EA3.17.5299	BLANKET	1	—	KB12/28
EA3.17.5257	BLANKET	1	—	KB12/29
EA3.17.5301	BLANKET	1	—	KB12/30
EA3.17.5303	BLANKET	1	—	KB12/31
EA3.17.5305	BLANKET	1	—	KB12/32
EA3.17.5307	BLANKET	1	—	KB12/33
EA3.17.5309	BLANKET	1	—	KB12/34
EA3.17.5311	BLANKET	1	—	KB12/35
EA3.17.5313	BLANKET	1	—	KB12/36
EA3.17.5315	BLANKET	1	—	KB12/37
EA3.17.5317	BLANKET	1	—	KB12/38
EA3.17.5319	BLANKET	1	—	KB12/39
EA3.17.5321	BLANKET	1	—	KB12/40
EA3.17.5323	BLANKET	1	—	KB12/41
EA3.17.5325	BLANKET	1	—	KB12/42
EA3.17.5327	BLANKET	1	—	KB12/43
EA3.17.5329	BLANKET	1	—	KB12/44
EA3.17.5401	BLANKET (Mod 5246)	1	—	KB12/47
EA1.17.35	BRACKET, angle	487	—	KB12/45
EA1.17.39	CLIP	760	—	KB12/46

FUSELAGE  
FRONT FUSELAGE

Part Number	Description	No. Off	Matl. Spec.	Plate No.
EA3.17.5227	. . INSULATION, NAVIGATOR'S ESCAPE HATCH (MOD 4094) Spares for:—	—	—	
EA3.17.5229	. . . BLANKET	1	—	KB13/1
EA3.17.5231	. . . BLANKET	1	—	KB13/2
EA3.17.5233	. . . BLANKET	1	—	KB13/3
EA3.17.5235	. . . BLANKET	1	—	KB13/4
EA3.17.5237	. . . BLANKET	1	—	KB13/5
EA3.17.5239	. . . BLANKET	1	—	KB13/6
EG7.17.273	. . . BLANKET	2	—	KB13/7
EG7.17.275	. . . BLANKET	1	—	KB13/8
EG7.17.277	. . . BLANKET	1	—	KB13/9
EG7.17.279	. . . BLANKET	1	—	KB13/10
EA1.17.35	. . . BRACKET, angle	12	—	KB13/11
EA1.17.39	. . . CLIP	140	—	KB13/12
EA1.17.37	. . . SPRING	112	—	KB13/13
EA3.17.5335	. . . PAD	1	—	KB13/14
EA3.17.5333	. . . PAD	1	—	KB13/15
EA3.17.5347	. . . PAD	1	—	KB13/16
EA3.17.5337	. . . PAD	3	—	KB13/17
EA3.17.5341	. . . PAD	1	—	KB13/18
EA3.17.5349	. . . PAD	1	—	KB13/19
EA3.17.5345	. . . PAD	1	—	KB13/20
EA3.17.5343	. . . PAD	1	—	KB13/21
EA3.17.5339	. . . PAD	1	—	KB13/22
EB7.17.35	. . . PAD (Pre-Mod 5513)	1	—	KB13/23
EB7.17.37	. . . PAD	1	—	KB13/24
EA3.17.5385	. . . PAD	1	—	KB13/25
EA3.17.5387	. . . PAD	1	—	KB13/26
EA1.17.37	. . . SPRING	620	—	KB12/48

FUSELAGE  
FRONT FUSELAGE

Part Number	Description	No. Off	Matl. Spec.	Plate No.
R EG4.71.157	. MOUNTING, EMERGENCY OXYGEN BOTTLE BETWEEN FRAMES 1 AND A, INSTALLATION Spares for :-	-	-	KB11/11
R EA3.71.307	. . BRACKET, MOUNTING AND CLIP QUICK RELEASE ASSEMBLY Spares for :-	1	-	KB11/12
R EA3.71.313	. . . WIRE-BAND	1	-	KB11/13
R EA3.71.315	. . . WIRE-BAND Attaching parts for EA3.71.307 :-	1	-	KB11/14
R A25/1B	. . Bolt, 4BA	4	-	KB11/15
R SP13B	. . Washer	4	-	KB11/15A
R EA9.40.1	. NOSEWHEEL (See chapter WC)	-	-	
R EG4.71.327	. OXYGEN SYSTEM, PILOT'S (See chapter SJ)	-	-	
R EG4.71.309	. OXYGEN SYSTEM, FIRST NAVIGATOR (See chapter SJ)	-	-	
R EG4.71.315	. OXYGEN SYSTEM, SECOND NAVIGATOR (See chapter SJ)	-	-	
R EG4.71.101	. OXYGEN SYSTEM, PRESSURE BULKHEAD TO FRAME 12 (See chapter SJ)	-	-	
R EG4.80.1317	. PITOT AND STATIC SYSTEM (See chapter SK)	-	-	
R EG4.80.1301	. PRESSURE CABIN EQUIPMENT (See chapter GA)	-	-	

FUSELAGE  
FRONT FUSELAGE

Part Number	Description	No. Off	Matl. Spec.	Plate No.
EG4.10.799	. TUNNEL, BOMB AIMER'S, ASSEMBLY Spares for :-	-	-	KB11/21
EG4.10.807	. . BALLAST, PLATFORM AND CUSHION, INSTALLATION Spares for :-	-	-	KB11/22
EG4.10.805	. . . CUSHION, ASSEMBLY (Made from Part No. EG4.10.555, Ref. 34628 or Part No. EA3.10.2853, Ref. 8831)	1	-	KB11/23
EG4.83.197	. . . PLATFORM, CHEST, ASSEMBLY Spares for :-	1	-	KB11/24
EB6.10.319	. . . . SPIGOT	1	-	KB11/25
EB6.10.320	. . . . SPIGOT	1	-	KB11/26
A25/6C	. . . . Bolt, 2BA	2	-	KB11/26A
A25/11C	. . . . Bolt, 2BA	1	-	KB11/26B
AGS2001C1/66	. . . . Nut, 2BA	3	-	KB11/26C
SP15C	. . . . Washer	3	-	KB11/26D
EG4.83.105	. . . TRAY, BALLAST, ASSEMBLY Spares for :-	1	-	
EB6.10.319	. . . . SPIGOT	1	-	
EB6.10.320	. . . . SPIGOT	1	-	
AS1242/3C	. . . . Bolt, 2BA	2	-	
AS1242/7C	. . . . Bolt, 2BA	1	-	
AGS2002C1	. . . . Nut, 2BA	3	-	
EG4.83.107	. . . . Packing	1	-	
EG4.83.167	. . . . Packing	1	-	
EG4.83.133	. . . WEIGHT, ballast	1	-	
EG4.83.137	. . . WEIGHT, ballast	1	-	
EG4.83.119	. . . WEIGHT, ballast	1	-	
EG4.83.127	. . . WEIGHT, ballast	1	-	
EA3.10.2311	. . COVER, hand pump	1	-	KB11/27
EG4.10.809	. . PADDING, protective, assembly	1	-	KB11/28
EG4.10.801	. . RAMP, assembly	1	-	
EG4.10.803	. . TUNNEL, ACCESSORIES, GROUP Spares for :-	-	-	KB11/29
EA3.10.2347	. . . COVER, aerial, R.X.	1	-	
EA3.10.2297	. . . COVER, inner	1	-	
EA3.10.2303	. . . GUARD, pedal	1	-	

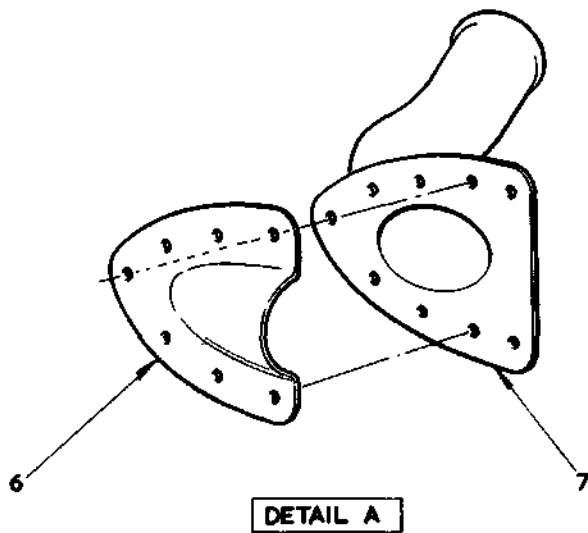
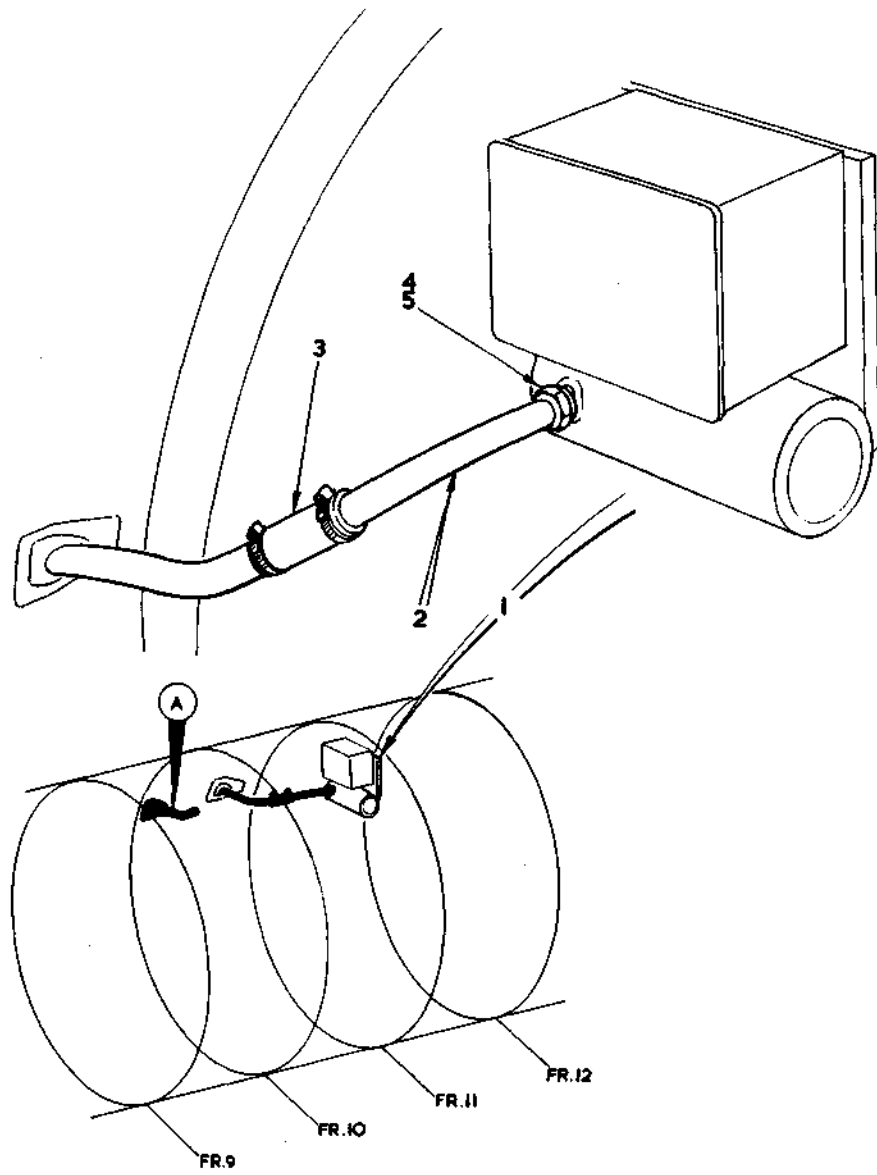
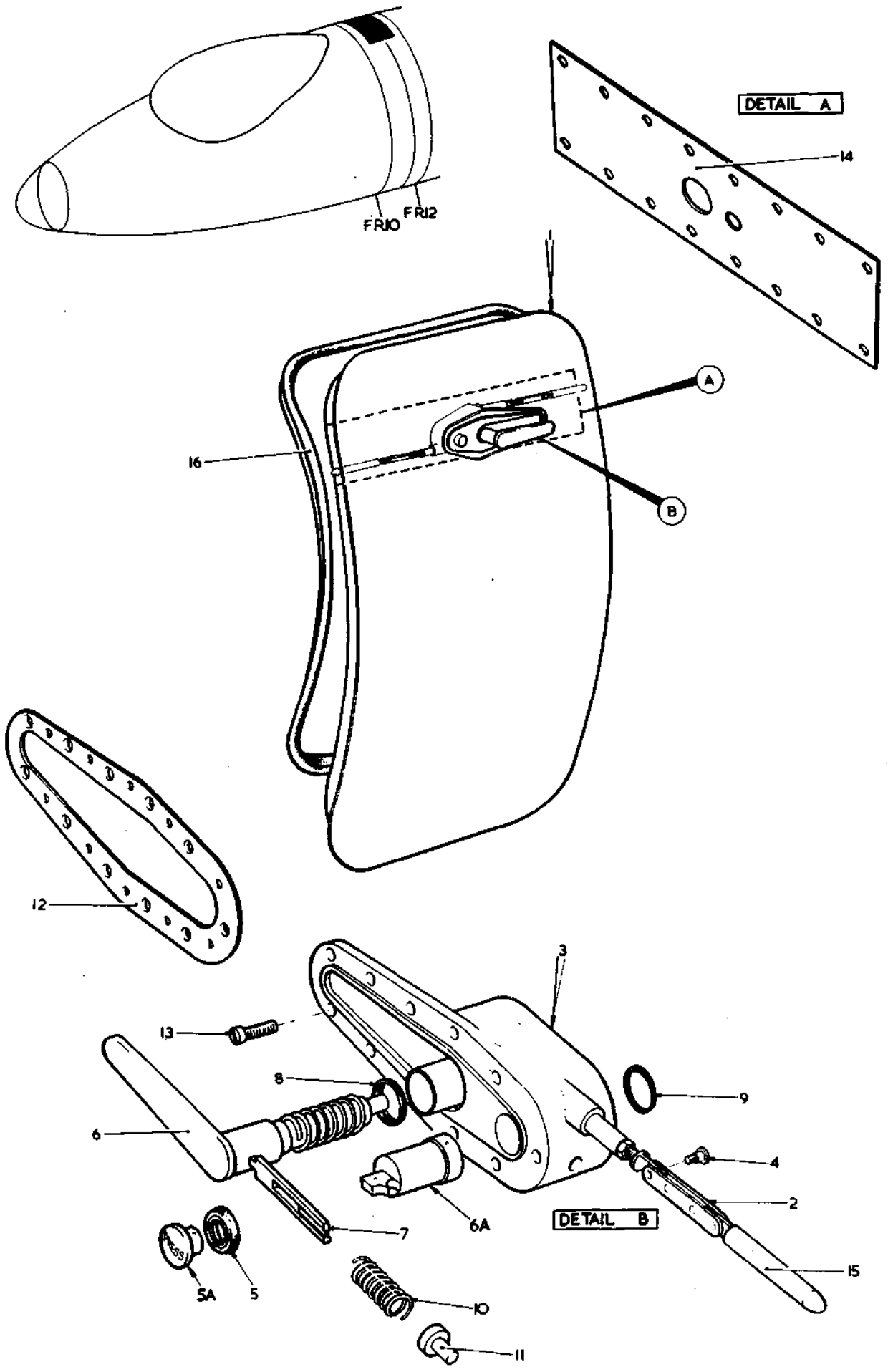


FIG.1 FUSELAGE, FRONT FUSELAGE



CODE R5TZ

FIG. 2 EQUIPMENT ACCESS DOOR

SECT. K B

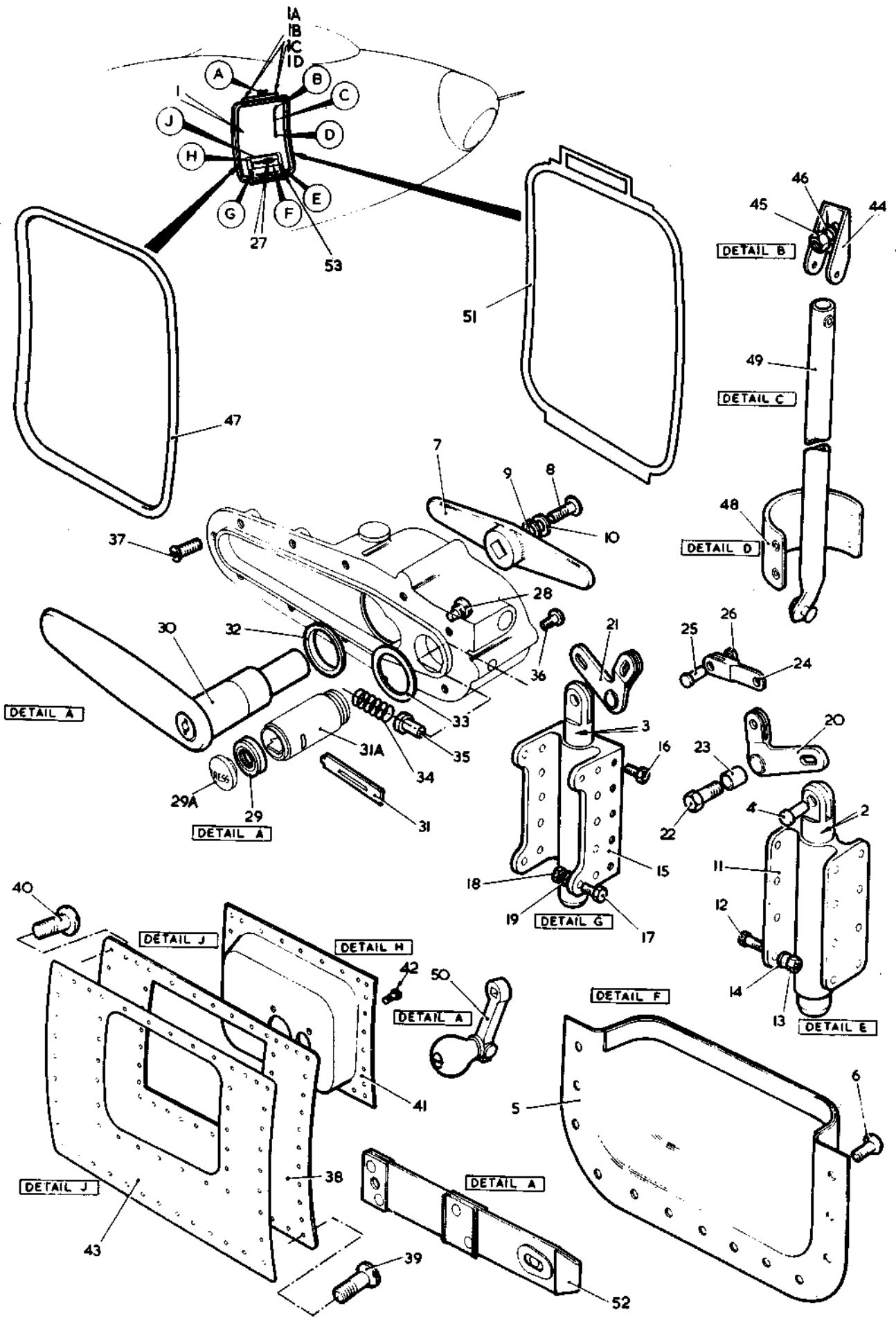


FIG.3. MAIN ENTRANCE DOOR ASSEMBLY

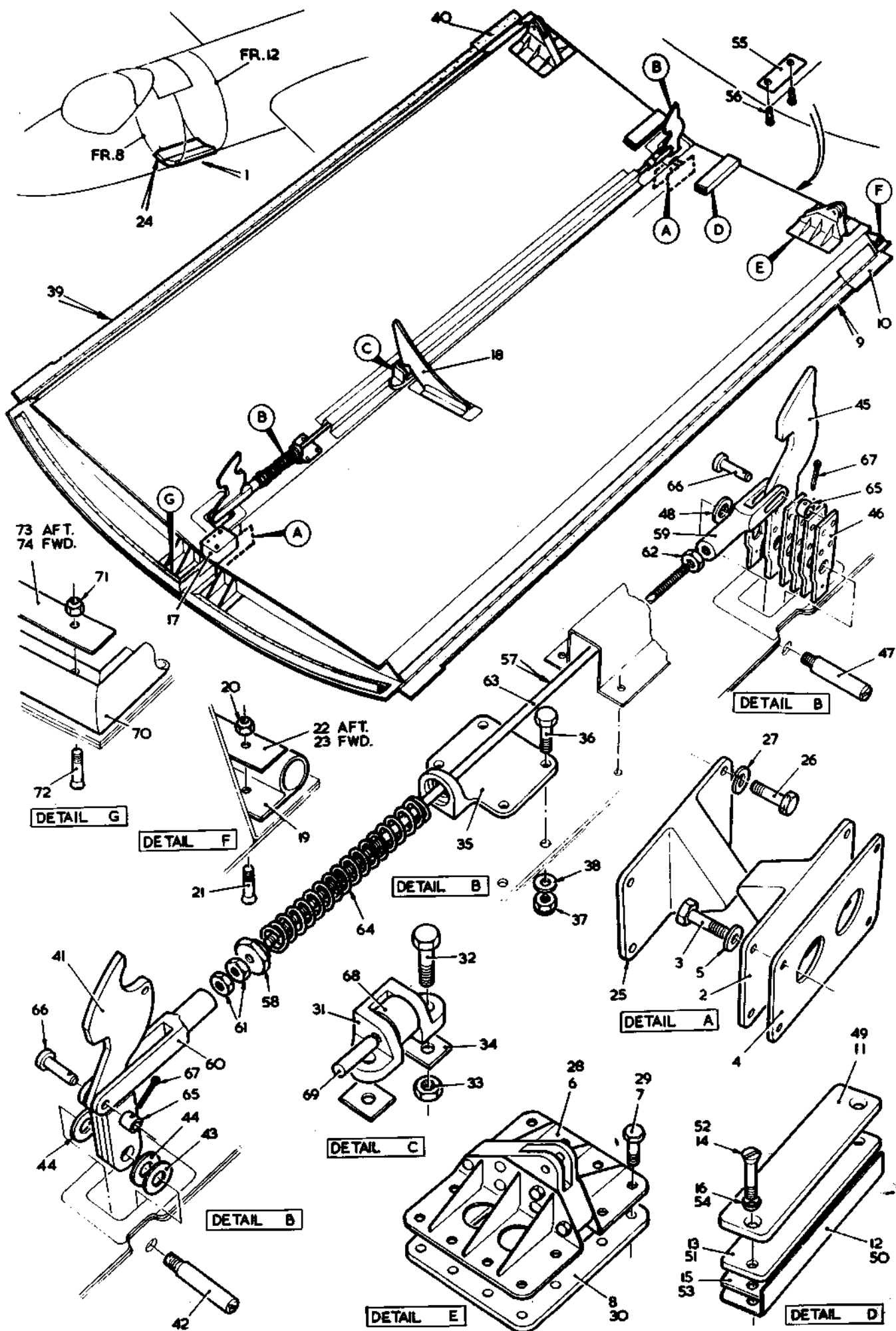


FIG. 4 NOSE UNDERCARRIAGE DOOR ASSEMBLY PORT & STBD.

CODE RSTZ

SECT KB

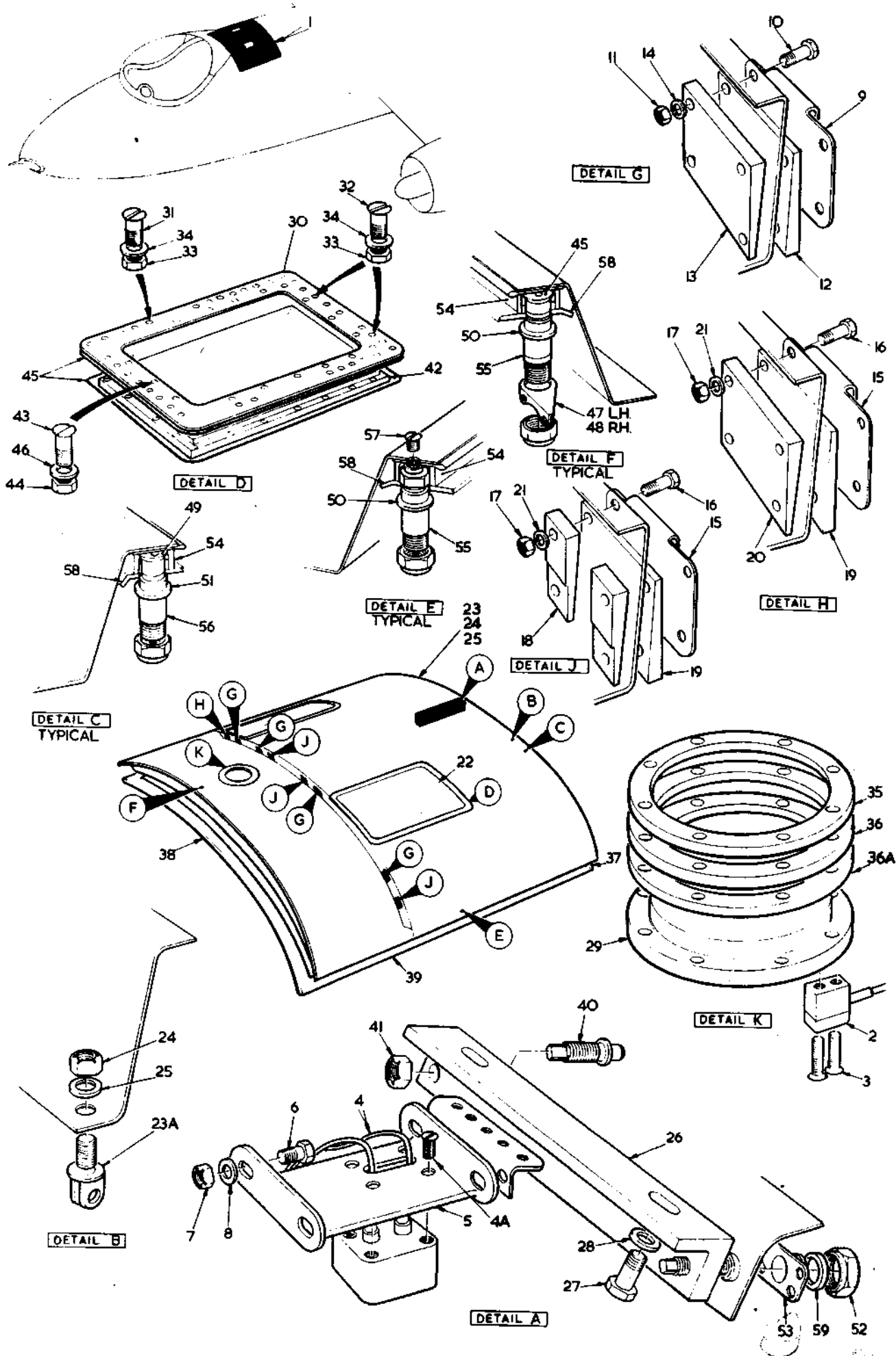


FIG. 5 NAVIGATORS ESCAPE HATCH

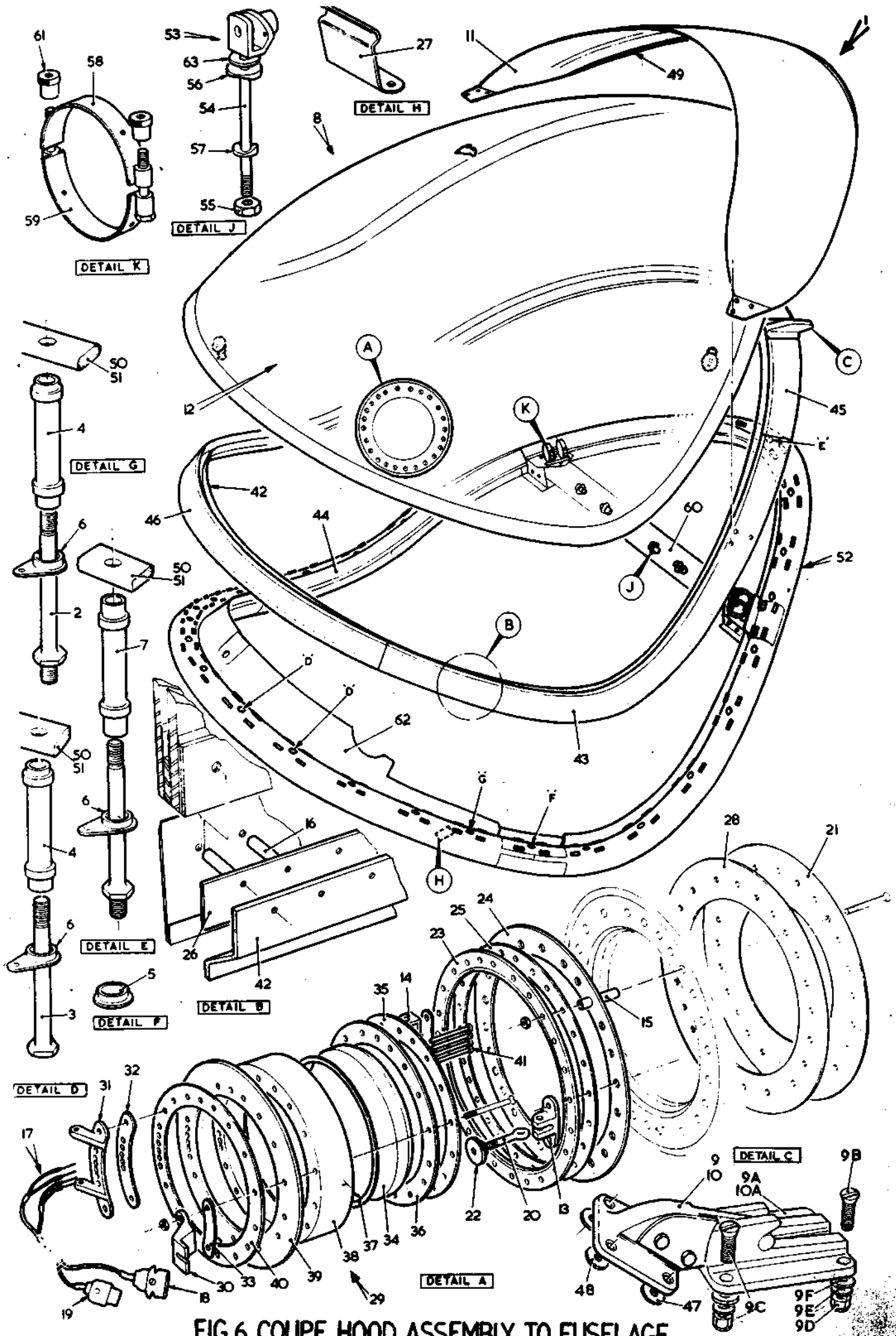


FIG. 6. COUPE HOOD ASSEMBLY TO FUSELAGE

CODE RTZ

SECT. RW

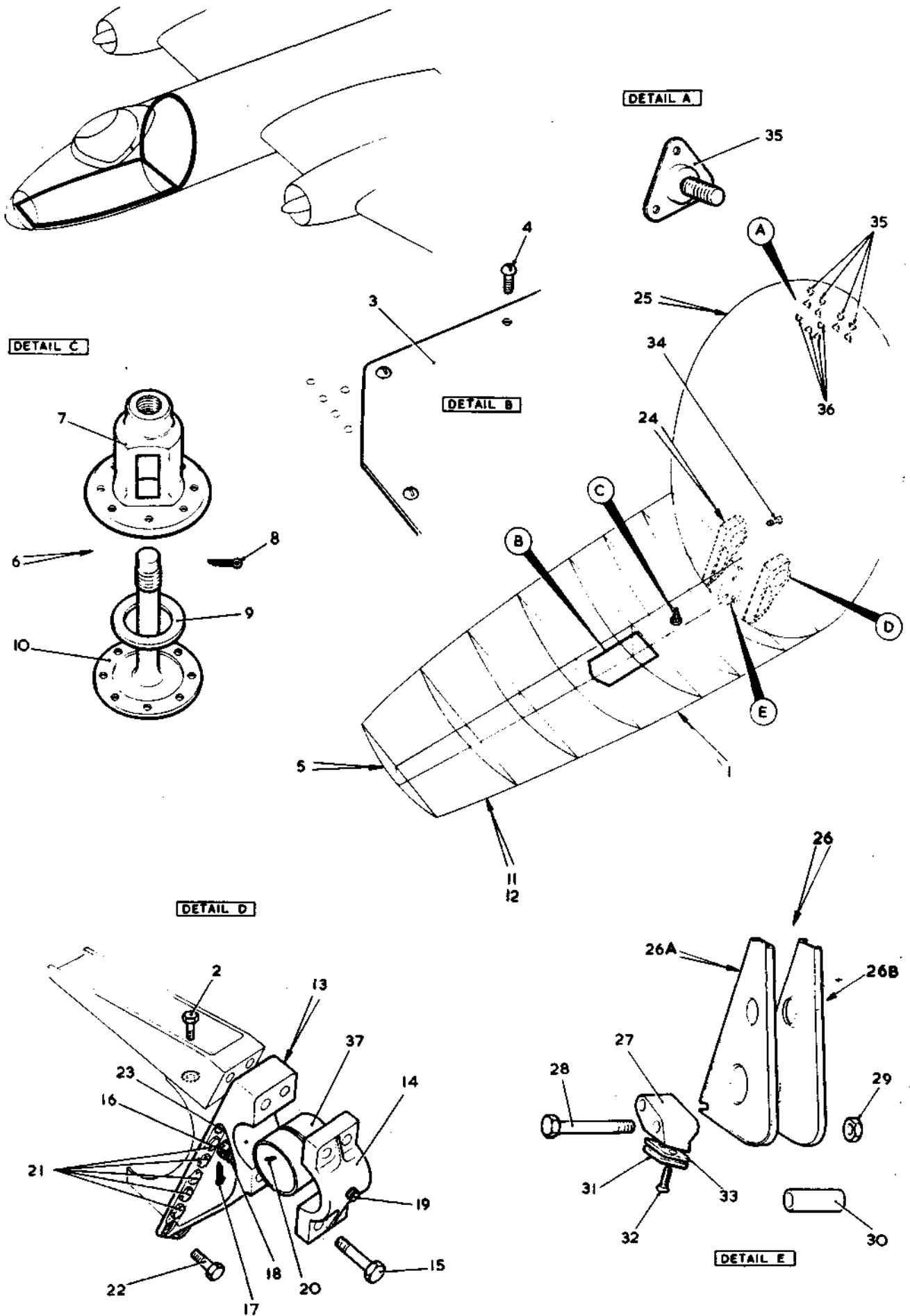


FIG. 7. KEEL UNIT, COMPLETE ASSEMBLY

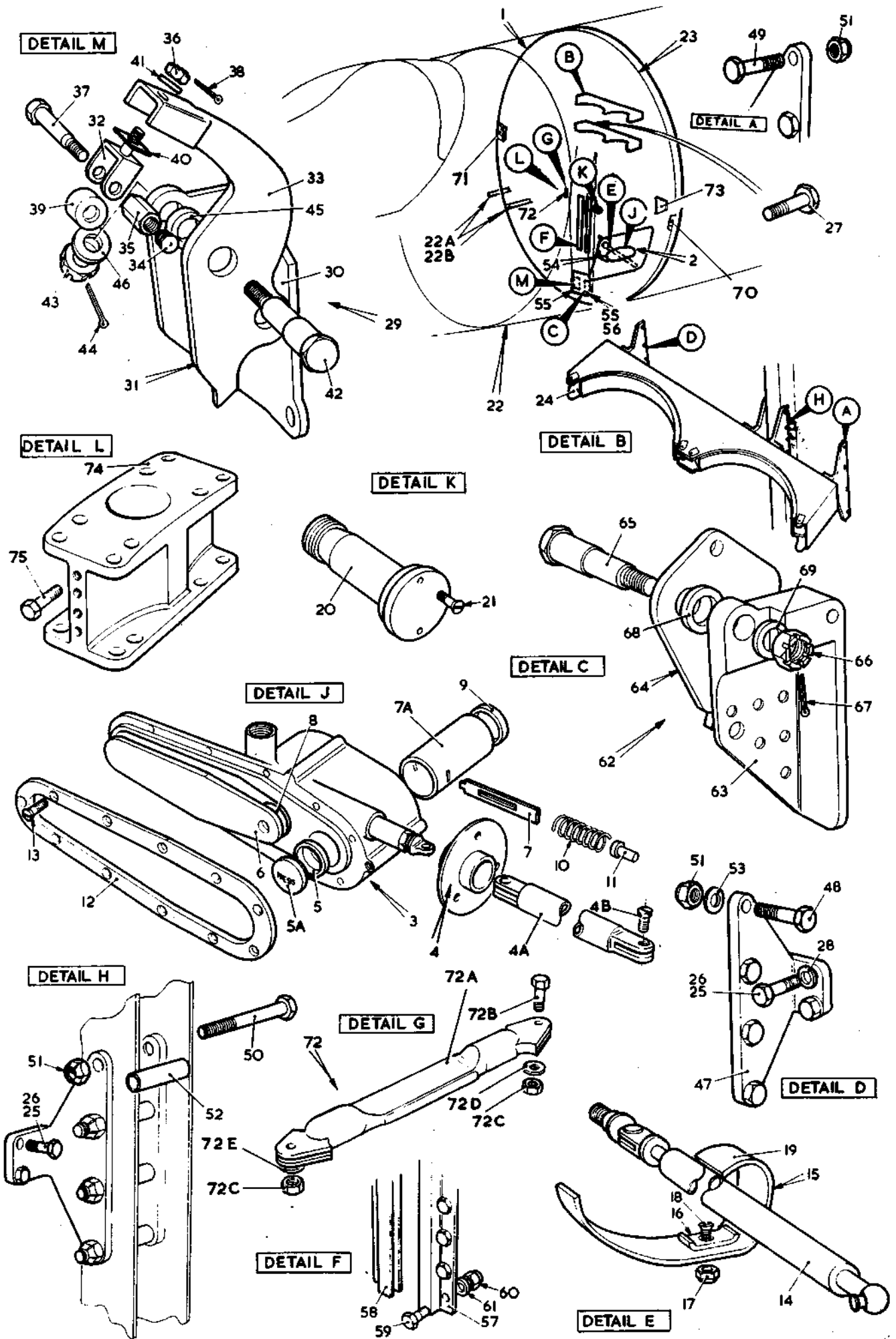


FIG. 8. SKINNING STRUCTURE PRESSURE BULKHEAD TO FRAME 12

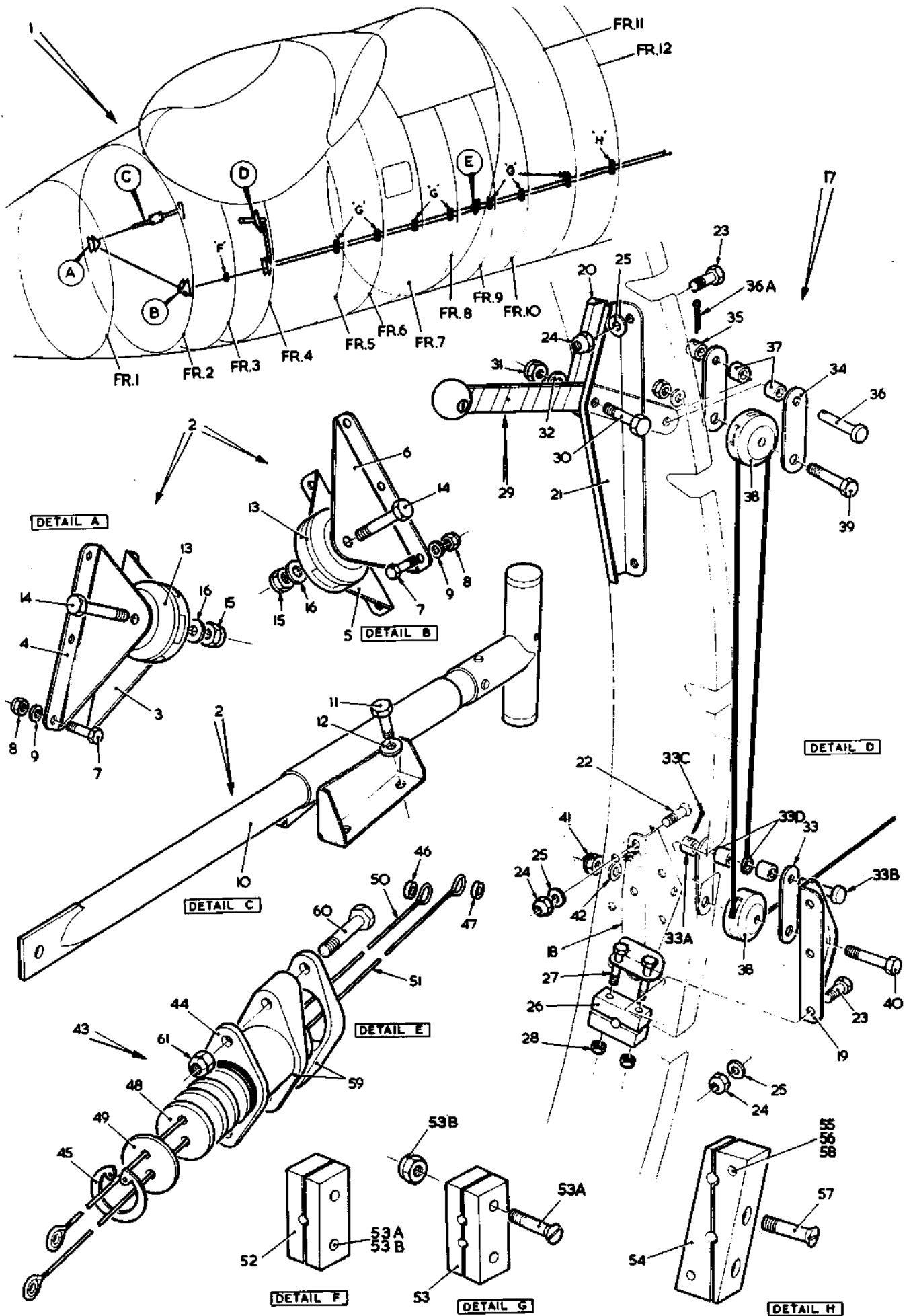


FIG.9 EMERGENCY RELEASE MECHANISM BOMB DOOR & UNDERCARRIAGE

CODE RZ

SECT KB

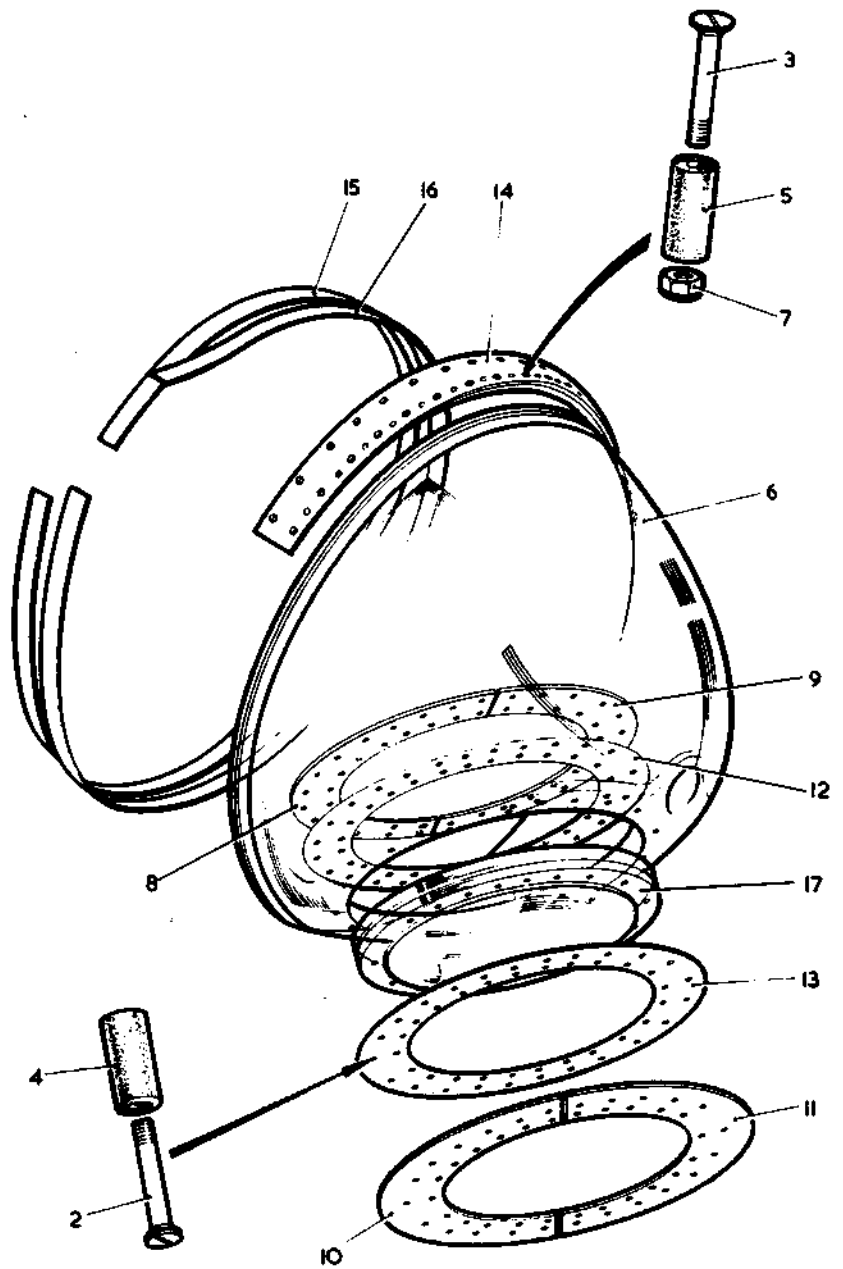
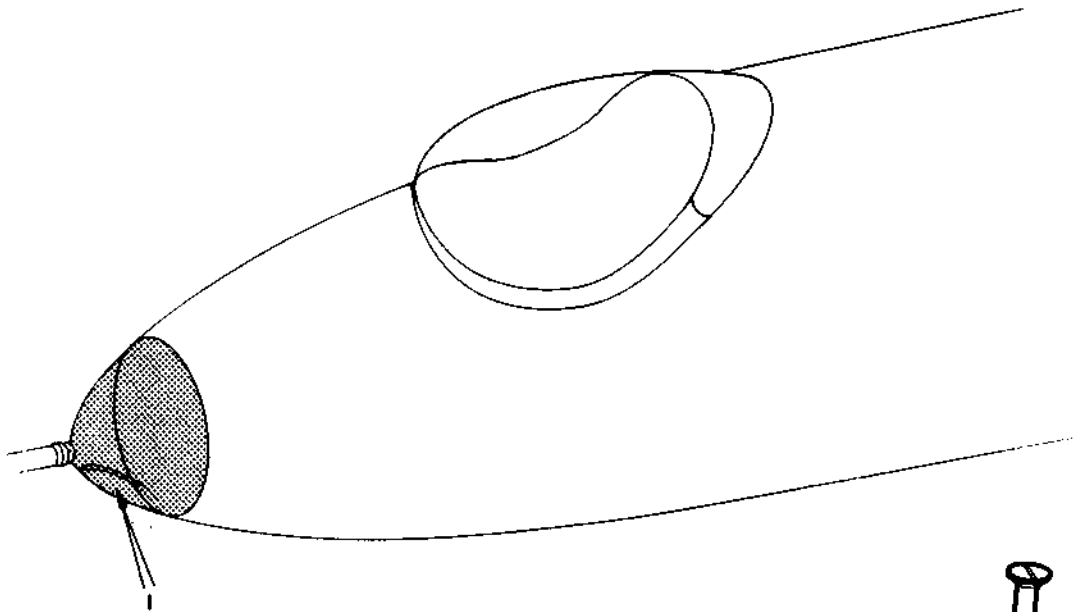


FIG.10. PERSPEX NOSE ASSEMBLY

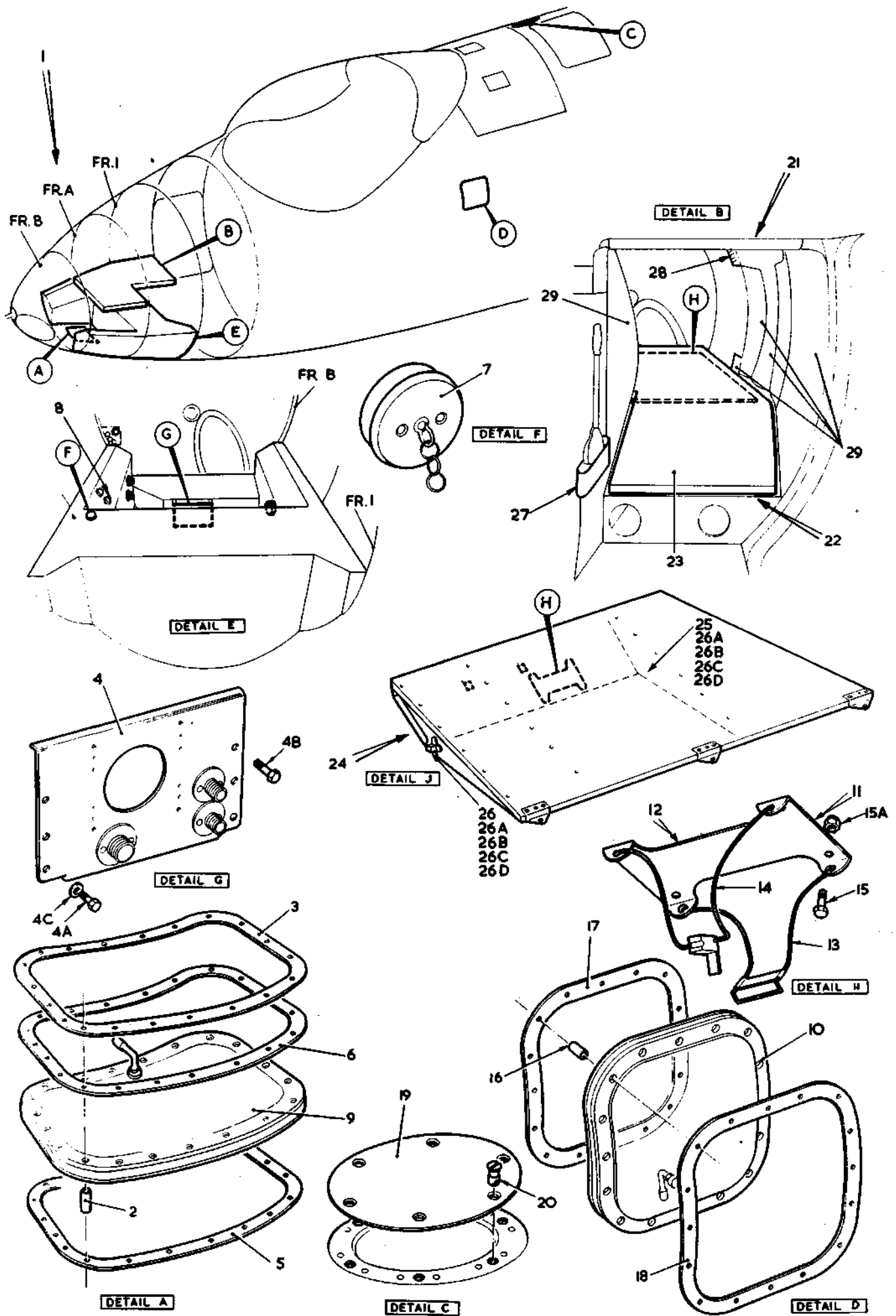


FIG.II. FRONT FUSELAGE STRUCTURE

CODE Z

SECT KB

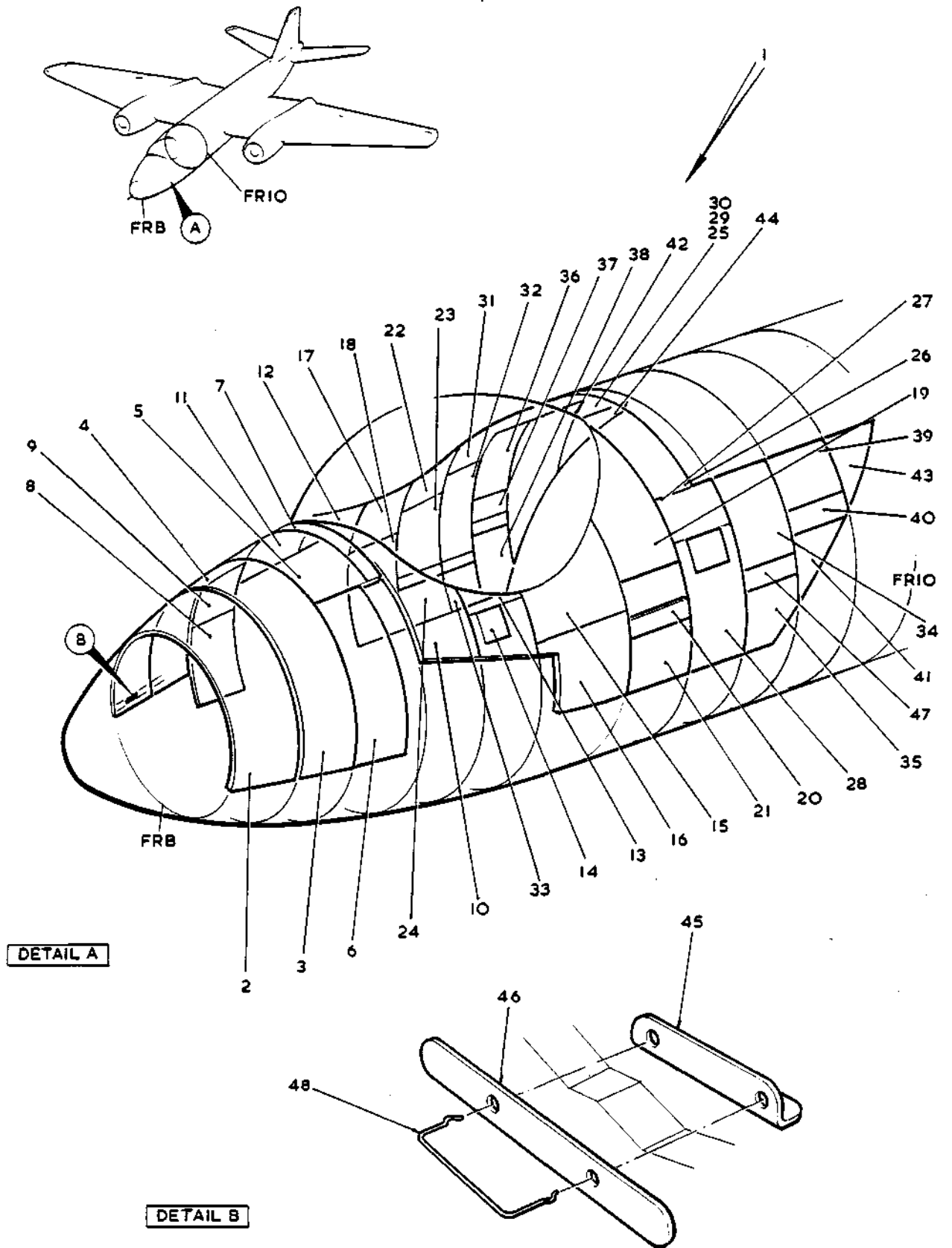
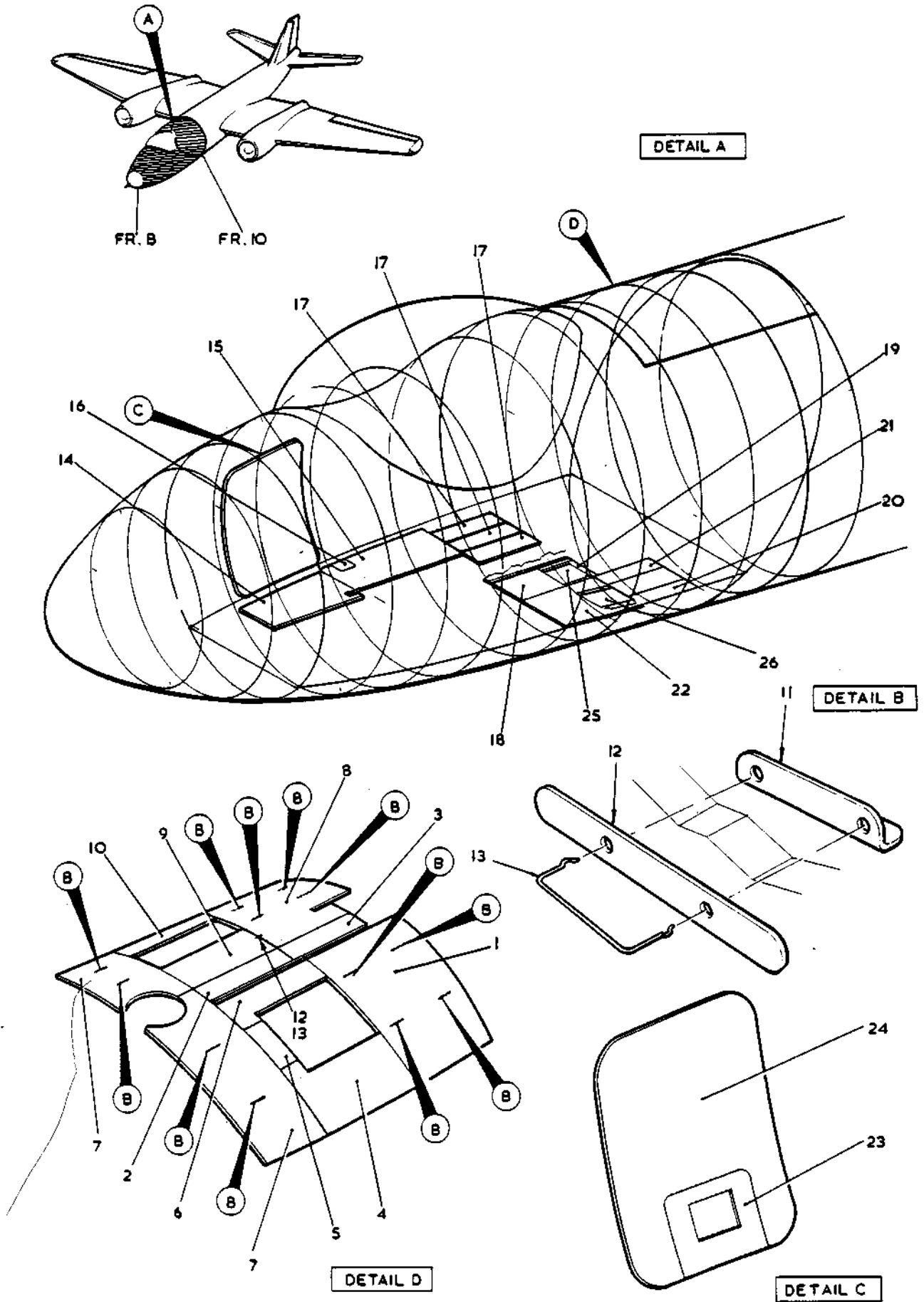


FIG 12 INSULATION PRESSURE CABIN



**FIG 13 INSULATION FLOOR AND NAVIGATORS ESCAPE HATCH**

CODE RZ

SECT KB

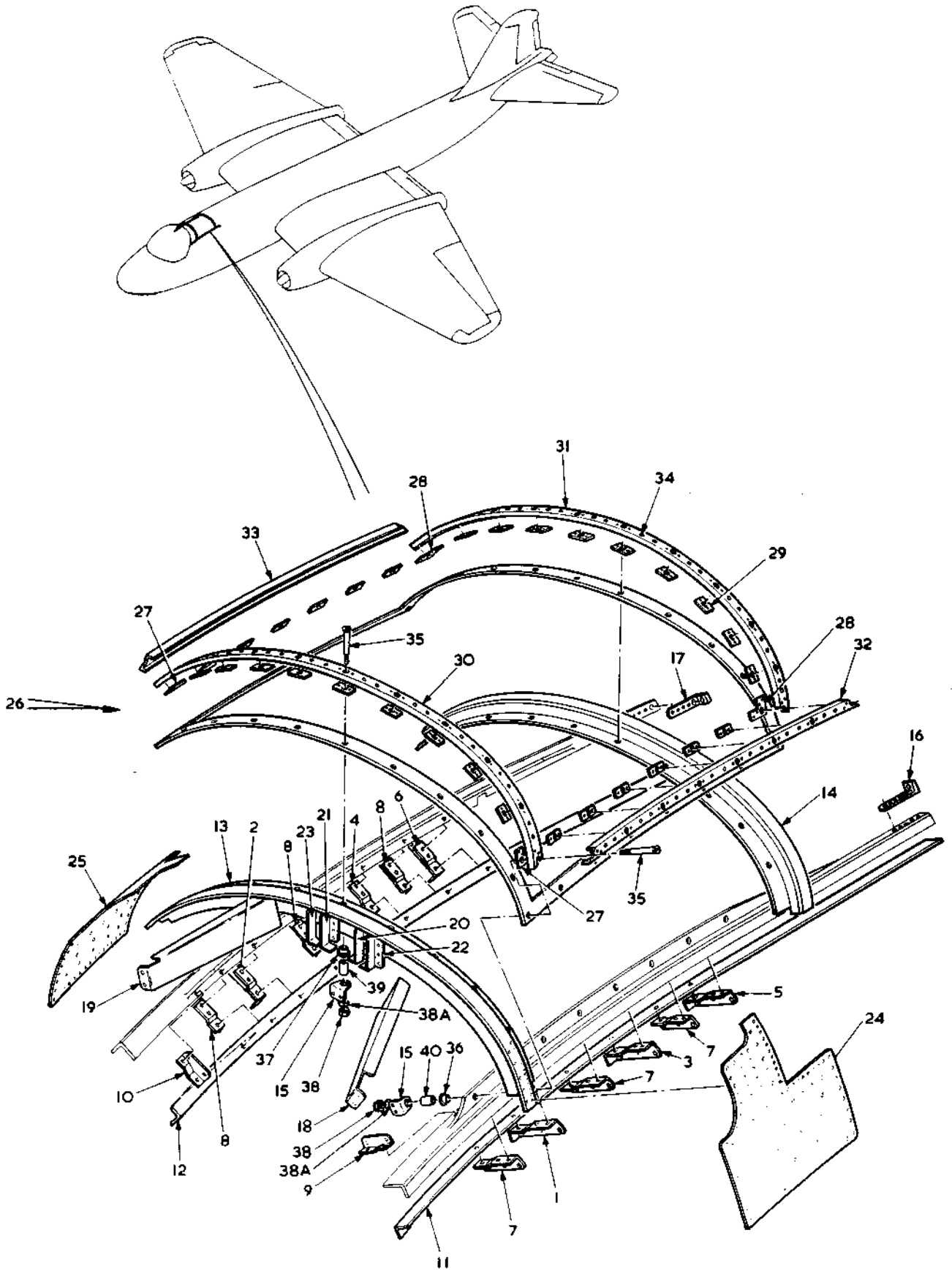


FIG 14. FRONT FUSELAGE STRUCTURE

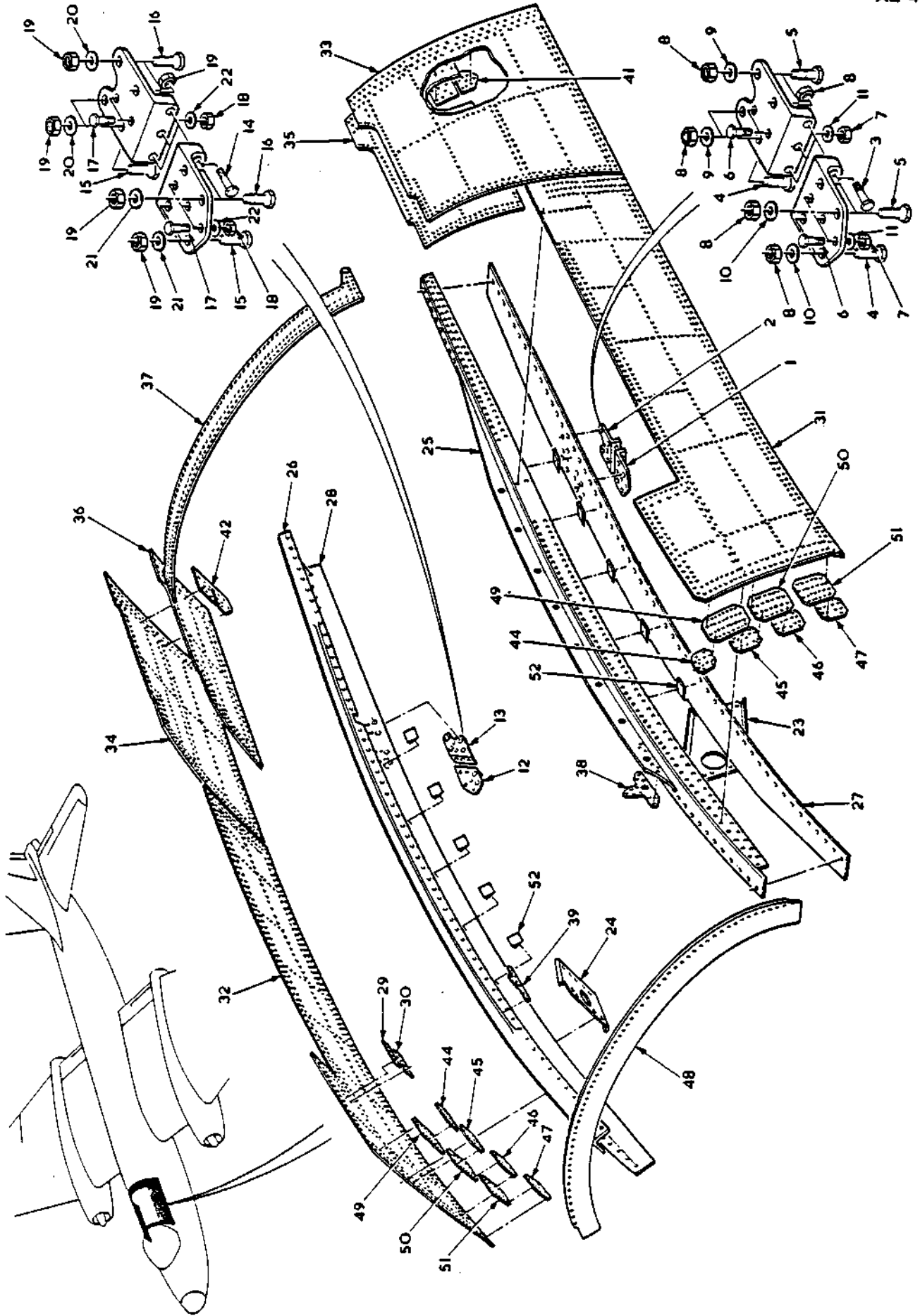
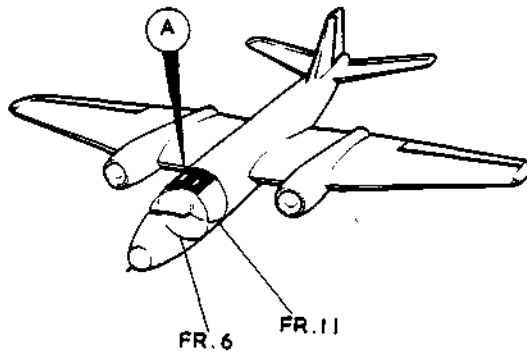


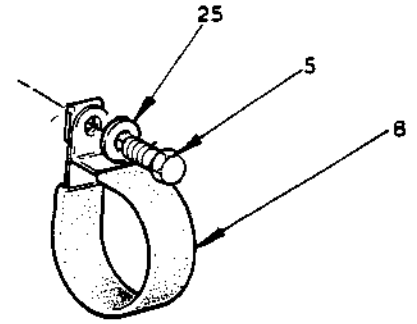
FIG. 15. FRONT FUSELAGE STRUCTURE

CODE RSTZ

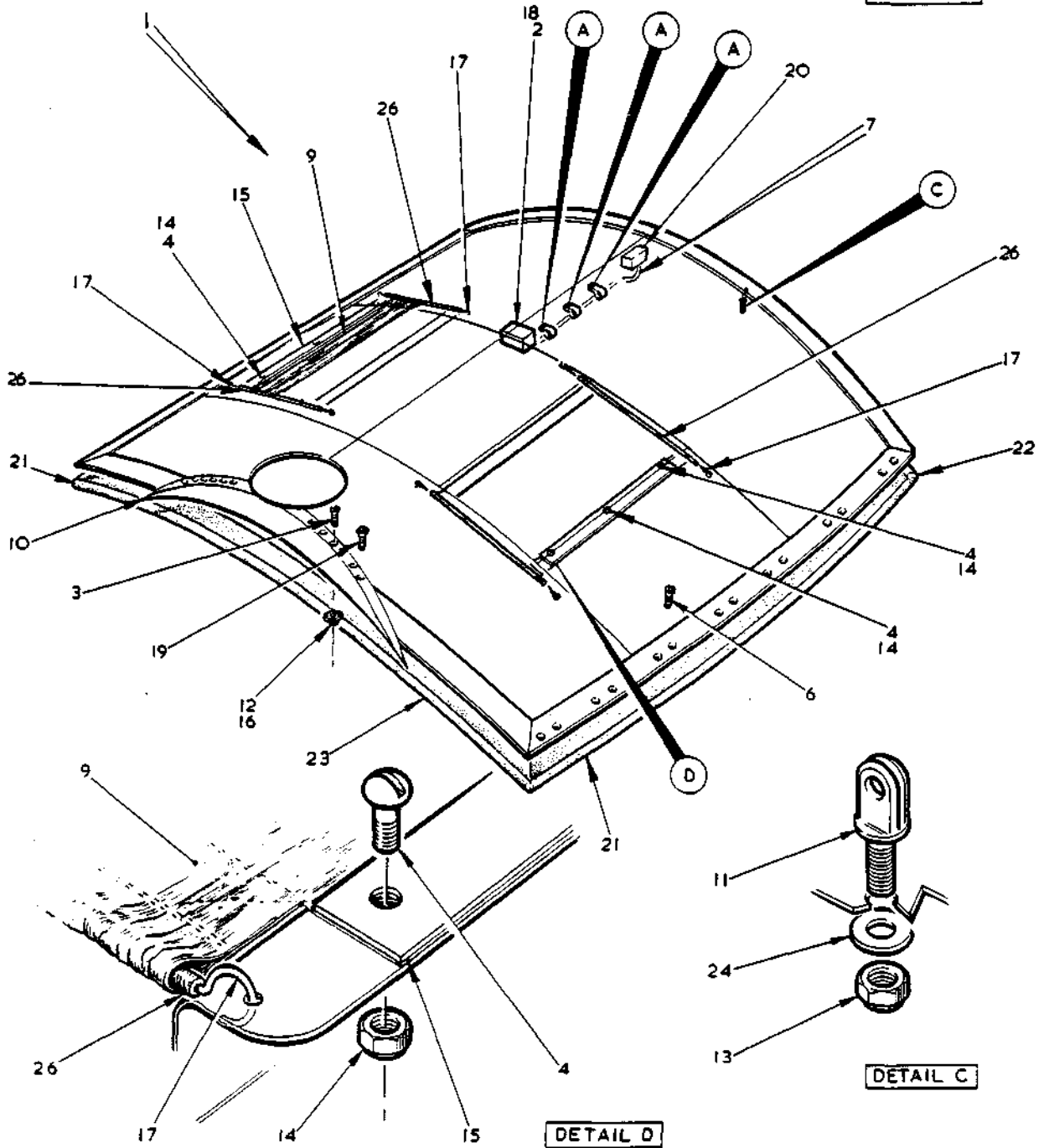
SECT. KB



DETAIL A



DETAIL B



DETAIL C

DETAIL D

# 16 FRONT FUSELAGE STRUCTURE

This file was downloaded from the RTFM Library.  
Link: [www.scottbouch.com/rtfm](http://www.scottbouch.com/rtfm)

Please see site for usage terms, and more aircraft documents.

