

## FUSELAGE

## REAR FUSELAGE AND TAIL UNIT

Part Number	Description	1 2 3 4 5 6						No. Off	Mati. Spec.	Plate No.
		1	2	3	4	5	6			
EG4.00.509	REAR FUSELAGE AND TAIL UNIT ASSEMBLY (Pre-Mod 5347)							—	—	
EG4.00.637	REAR FUSELAGE ASSEMBLY (Spares condition rear fuselage - based on EG4.00.509 to LTP standard) (MOD 5347)							1	—	
EA3.45.385	CONTROLS, FLYING, IN REAR FUSELAGE (See page DC.1)							—	—	
EA1.00.63	CONTROLS, TO RUDDER AND ELEVATOR ATTACHMENT DETAILS (See page N.1)							—	—	
EG4.81.2811	ELECTRICAL EQUIPMENT, IN REAR FUSELAGE (See page EC.1)							—	—	
EG4.83.7	EQUIPMENT, IN REAR FUSELAGE (See page G.1)							—	—	
EA1.00.59	FAIRING, REAR FUSELAGE, ATTACHMENT DETAILS (See Section N)							—	—	
EA2.12.45	FAIRING, REAR, ASSEMBLY (PRE-MOD 5119)							1	—	KC1/1
EB7.12.5021	FAIRING, ASSEMBLY (MOD 5119)							1	—	
EA2.12.293	DOOR, ACCESS, FORWARD NAVIGATION LIGHT ASSEMBLY Spares for:—							1	—	KC1/2
EA2.12.309	PACKING, rubber							2	Linatex	KC1/3
EA2.12.311	PACKING							1	L72	KC1/4
EA2.12.303	WINDOW, perspex Attaching parts for EA2.12.303:—							1	—	KC1/5
AS1242/3B	Bolt, 4BA							12	—	KC1/6
AGS2002B3	Nut, 4BA							12	—	KC1/7
SP15B	Washer							12	—	KC1/8
EEAS1/1C	Attaching parts for EA2.12.293:— Screw, 2BA							5	S96	KC1/9
EA1.12.577	PANEL, access, rear, port							1	—	KC1/10
EA1.12.578	PANEL, access, rear, starboard							1	—	KC1/11
EA1.12.967	PANEL, access, tailplane controls							1	—	KC1/12
EA1.12.583	RADOME, dummy (Pre-Mod 5119)							1	—	KC1/13
EB7.12.5019	RADOME, dummy (Mod 5119)							1	—	
EB7.82.5667	DISCHARGER, STATIC, INSTALLATION Spares for:—							—	—	
CHELTON 2-23	BASE, mounting, type 2/23							2	—	KC1/62
CHELTON 2-12	DISCHARGER, static, type 2/12 Attaching parts for EA1.12.583 or EB7.12.5019:—							2	—	KC1/63
A25/3J	Bolt, 3/8" BSF							4	—	KC1/14
EC1.32.2501	FIN, TAIL, ASSEMBLY (MOD 3726) (PRE-MOD 5043)							1	—	KC1/15
EG4.00.225	FIN, TAIL, ASSEMBLY (MOD 5043) (PRE-MOD 5100)							1	—	
EA3.00.5709	FIN, ASSEMBLY (Spares for EG7.32.187) (MOD 5347)							1	—	
EA3.00.5491	FIN, TAIL, ASSEMBLY (EG7.32.187) (MOD 5111) (Supplied undrilled at base) (Pre-Mod 5347)							1	—	
EC3.82.67	AERIAL ATTACHMENT TO FIN INSTALLATION (ALT. R60/303-MOD 5100) Consisting of:—							—	—	KC1/54
EC3.82.71	BAR, toggle							1	—	KC1/55
EC3.82.69	BOLT, eye							1	—	KC1/56
A25/2C	BOLT, 2BA							2	—	
EC3.82.77	NUT, domed							1	—	KC1/57
A27CS	NUT, 2BA							2	—	
EC3.82.79	PIN, for toggle bar							1	—	KC1/58
SP90C5	PIN, split							2	—	
SP90E8	PIN, split							1	—	
EC3.82.81	PLATE, adapter							2	—	
EC3.82.73	WASHER							1	—	KC1/60
EC3.82.75	WASHER, saddle							1	—	KC1/61
SP15C	WASHER							2	—	

FUSELAGE  
REAR FUSELAGE AND TAIL UNIT

Part Number	Description	No. Off	Mati. Spec.	Plate No.
EA1.32.791	CONDUIT, aerial Attaching parts for EA1.32.791 :-	1	-	KC1/16
AS4565/1B	Bolt, 4BA	6	-	KC1/17
EA1.32.629	Clip, half	6	-	KC1/18
AGS2001B1	Nut, 4BA	6	-	KC1/19
SP15B	Washer	6	-	KC1/20
EA1.32.553	PANEL, access, aerial plug Attaching parts for EA1.32.553 :-	1	-	KC1/21
A33C14	Screw, 2BA	5	-	KC1/22
EA1.32.579	PANEL, access, attachment, bolt, port	1	-	KC1/23
EA1.32.580	PANEL, access, attachment, bolt, starboard	1	-	KC1/24
AS1242/1C	Attaching parts for EA1.32.579 and EA1.32.580 :- Bolt, 2BA	7	-	KC1/25
EA1.32.663	PANEL, access, nose Attaching parts for EA1.32.663 :-	1	-	KC1/26
AS1242/1C	Bolt, 2BA	6	-	KC1/27
AS1242/5C	Bolt, 2BA	4	-	KC1/28
EA1.32.767	PANEL, access, rudder control tube and lower mass balance weight	1	-	KC1/29
EA1.32.769	PANEL, access, rudder tab actuator lever and actuator Attaching parts for EA1.32.767 and EA1.32.769 :-	1	-	KC1/30
AS1242/2C	Bolt, 2BA	11	-	KC1/31
EG7.32.83	PANEL, ASSEMBLY ACCESS (N.H.A. EG7.32.81) (Alt. R60/303-Mod 5100) Attaching parts for EG7.32.83 :-	1	L73	
AS1242/1C	Bolt, 2BA	8	-	
EG7.32.189	PLATE, cover, 18 SWG (N.H.A. EG7.32.155) (Alt. R60/303-Mod 5100) (Not required when V.O.R./I.L.S. aerials are fitted) Attaching parts for EG7.32.189 :-	2	L73	
A113/3D	Bolt, 10/32 UNF	10	-	
EA1.32.623	STRINGER, aft, port (Pre-Mod 5200)	4	-	
EA3.32.249	STRINGER, aft, port (Mod 5200)	4	-	
EA1.32.624	STRINGER, aft, starboard (Pre-Mod 5200)	4	-	
EA3.32.250	STRINGER, aft, starboard (Mod 5200)	4	-	
EA1.32.625	STRINGER, aft, port (Pre-Mod 5200)	1	-	
EA3.32.251	STRINGER, aft, port (Mod 5200)	1	-	
EA1.32.626	STRINGER, aft, starboard (Pre-Mod 5200)	1	-	
EA3.32.252	STRINGER, aft, starboard (Mod 5200)	1	-	
EC1.32.2505	STRIP (N.H.A. EA9.32.343)	1	-	
EA1.32.7	STRUCTURE, FIN, GROUP Spares for :-	-	-	
EA1.32.13	SPAR, FIN, ASSEMBLY Spares for :-	1	-	
EA1.32.127	CAGE, assembly, nut, fin attachment bolt, port	1	-	
EA1.32.128	CAGE, assembly, nut, fin attachment bolt, starboard	1	-	
EA1.32.207	FITTING, SPAR ROOT, PORT, SUB-ASSEMBLY (PRE-MOD 5100)	1	-	
EA3.32.245	FITTING, SPAR ROOT, PORT SUB-ASSEMBLY (ALT. R60/12- MOD 5100) Consisting of :-	1	-	
EA1.32.79	BUSH, inboard	1	S96	
EA1.32.81	BUSH, outboard	1	S96	
EA1.32.71	FITTING (Pre-Mod 5100)	1	-	
EA3.32.241	FITTING (Alt. R60/12-Mod 5100)	1	DTD5024	

R  
R  
R  
R  
R  
R  
R

## FUSELAGE

## REAR FUSELAGE AND TAIL UNIT

Part Number	Description	No. Off	Mtl. Spec.	Plate No.
EA1.32.209	. . . . FITTING, ASSEMBLY, PORT (PRE-MOD 5100)	1	-	
EA3.32.247	. . . . FITTING, ASSEMBLY, STARBOARD (ALT. R60/12-MOD 5100) Consisting of :-	1	-	
EA1.32.83	. . . . . BUSH, inboard	1	S96	
EA1.32.85	. . . . . BUSH, outboard	1	S96	
EA1.32.73	. . . . . FITTING (Pre-Mod 5100)	1	-	
EA3.32.243	. . . . . FITTING (Alt. R60/12-Mod 5100)	1	DTD5024	
EA9.32.17	. . . . . PACKING, laminated	4	-	
EA1.00.55	. FIN TO FUSELAGE, ATTACHMENT DETAILS (See Section N)	-	-	
EB6.12.1	. FUSELAGE, REAR, ASSEMBLY Spares for :-	-	-	KC3/1
EB7.12.25	. . BRACKET, micro-switch Attaching parts for EB7.12.25 :-	1	-	KC3/2
A25/1C	. . Bolt, 2BA	4	-	KC3/4
EA1.12.499	. . BUMPER, TAIL, ASSEMBLY Spares for :-	1	-	KC3/5
EA1.12.501	. . . PAD, bumper, rubber Attaching parts for EA1.12.501 :-	1	-	KC3/6
A25/1C	. . . Bolt, 2BA	8	-	KC3/7
A25/2C	. . . Attaching parts for EA1.12.499 :- Bolt, 2BA	12	-	KC3/8
SP13C	. . . Washer	12	-	KC3/9
EA1.12.367	. . FAIRING, tailplane, sealing, port	1	-	KC3/10
EA1.12.368	. . FAIRING, tailplane, sealing, starboard	1	-	KC3/11
EA3.12.45	. . FIN, dorsal Attaching parts for EA3.12.45 :-	1	-	KC3/12
A25/2C	. . Bolt, 2BA	2	-	KC3/13
EA1.12.257	. . FIN, STUB, COMPLETE, ASSEMBLY Spares for :-	1	-	KC3/14
EA1.12.1615	. . . COVER, starboard only Attaching parts for EA1.12.1615 :-	1	L73	KC3/15
EEAS1/1C	. . . Screw, 2BA	10	S96	KC3/16
EA3.03.403	. . LUG, FIN ATTACHMENT, PORT (Spares for EA1.12.117)	1	-	KC3/17
EA1.12.127	. . . BUSH	1	S11	KC3/18
EA3.03.405	. . LUG, FIN ATTACHMENT, STARBOARD (Spares for EA1.12.119)	1	-	KC3/19
EA1.12.125	. . . BUSH Attaching parts for EA1.12.117 and EA1.12.119 :-	1	S11	KC3/20
A25/5J	. . . Bolt, 3/8" BSF	1	-	KC3/21
A25/6J	. . . Bolt, 3/8" BSF	1	-	KC3/22
A25/8L	. . . Bolt, 7/16" BSF	2	-	KC3/23
AGS571/611	. . . Bolt, shear, 3/8" BSF, starboard	3	-	KC3/24
AGS571/612	. . . Bolt, shear, 3/8" BSF, port	3	-	KC3/25
A27JP	. . . Nut, 3/8" BSF	2	-	KC3/26
A27LP	. . . Nut, 7/16" BSF	2	-	KC3/27
AGS572E	. . . Nut, 3/8" BSF	3	-	KC3/28
SP15J	. . . Washer	4	-	KC3/29
SP16J	. . . Washer	1	-	KC3/30
SP16L	. . . Washer, starboard	1	-	KC3/31
EA1.12.161	. . . Washer, plate, special, port (Refer to AP101B/0400/6 Vol 6 Pt 2 Repair leaflet D3/6 for particulars of assembly and special tools required for fitment of fin attachment lugs)	1	-	KC3/32

FUSELAGE  
REAR FUSELAGE AND TAIL UNIT

Part Number	Description	No. Off	Mati. Spec.	Plate No.
EA3.12.5061	PANEL, ACCESS (ALT.R60/108-MOD 5100) Spares for :-	-	-	
EA3.12.5063	PLATE, patch, 16 SWG	1	L72	
EA3.12.5065	PLATE, patch, 16 SWG	1	L72	
EB6.12.9	STRUCTURE, FUSELAGE, REAR, C/W SKIN, ASSEMBLY Spares for :-	-	-	
R -	DELETION OF K AERIAL IN REAR FUSELAGE ACCESS HATCH (MOD 5223) Spares for :-	-	-	
R EA3.12.5073	SKIN, base plate	1	L73 x 20 SWG	
R EG7.12.95	STRINGER, angle, L.H. outer (Make from EEDX67, 25" long)	1	-	
R EG7.12.251	STRINGER, angle, L.H. inner (Make from EEDX67, 25" long)	1	-	
R EG7.12.253	STRINGER, angle, R.H. inner (Make from EEDX67, 25" long)	1	-	
R EG7.12.255	STRINGER, angle, R.H. outer (Make from EEDX67, 25" long)	1	-	
R EA3.12.5075	STRINGER, angle, centre (Make from EEDX67, 25" long)	1	-	
EA3.12.91	DOOR, ACCESS, ASSEMBLY Spares for :-	1	-	KC2/1
EA3.12.66	BRACKET	1	-	KC2/2
EA3.12.65	BRACKET	1	-	KC2/3
EA1.12.363	FASTENER	12	-	KC2/4
EA1.12.361	FASTENER (Make from Fairey FS400, 26FZ/7137)	5	-	KC2/5
EA3.12.73	HINGE	1	-	KC2/6
EA1.12.917	PANEL Attaching parts for EA1.12.917 :-	1	L72	KC2/7
AS1246/1/2C	Bolt, 2BA	10	-	KC2/8
EA1.12.919	PANEL Attaching parts for EA1.12.919 :-	1	L72	KC2/9
AS1246/1/2C	Bolt, 2BA	6	-	KC2/10
R EA1.12.1213	SKIN, base plate, (Pre-Mod 5223)	1	-	
R EA1.12.1219	STRINGER, channel (Pre-Mod 5223)	1	-	
R EA1.12.1271	STRINGER, channel (Pre-Mod 5223)	1	-	
R EA1.12.1272	STRINGER, channel (Pre-Mod 5223)	1	-	
R EA1.12.1220	STRINGER, channel (Pre-Mod 5223)	1	-	
R EA1.12.1211	STRINGER, channel (Pre-Mod 5223)	1	-	
EA1.12.913	STRIP, sealing (Make from Ref. 4432)	2	-	KC2/11
EA1.12.915	STRIP, sealing (Make from Ref. 4432)	2	-	KC2/12
EA1.12.939	WINDOW, aerial (Pre-Mod 5223)	1	-	
EA1.12.941	WINDOW, aerial (Pre-Mod 5223)	1	-	
EA1.12.1207	WINDOW, aerial (Pre-Mod 5223)	1	-	
EA1.12.1209	WINDOW, aerial (Pre-Mod 5223) Attaching parts for EA3.12.91 :-	1	-	
AGS2001C/1/66	Nut, 2BA	32	-	KC2/13
EEAS1/1C	Screw, 2BA	32	S96	KC2/14
SP13C	Washer	32	-	KC2/15
EA1.12.1201	NUT, special, lifting gear attachment	1	-	KC4/1
EA1.12.1203	PACKING	1	-	KC4/2
AVIATION DEVELS A419	PIN, 'pip', quick release	1	-	KC2/16
-	RING, split, 1/2" i/d	2	Brass	KC2/17
EA3.12.59	STRAP, retaining	1	-	KC2/18

## REAR FUSELAGE AND TAIL UNIT

Part Number	Description	No. Off	Matl. Spec.	Plate No.
R EB6.12.7	STRUCTURE, FUSELAGE, LESS SKIN, ASSEMBLY	-	-	
R EB7.12.43	Spares for :- BRACKET, mounting, micro-switch	2	-	KC4/2
R EB7.12.44	BRACKET, mounting, micro-switch	2	-	KC4/3
R EA1.12.405	BRACKET, rear, fairing attachment	2	-	KC4/4
R EA1.12.93	FITTING, end, port	1	DTD683	KC4/5
R EA1.12.94	FITTING, end, starboard	1	DTD683	KC4/6
R EA1.12.95	FITTING, end, port	1	DTD683	KC4/7
R EA1.12.96	FITTING, end, starboard	1	DTD683	KC4/8
	Attaching parts for EA1.12.93, EA1.12.94, EA1.12.95 and EA1.12.96 :-			
R A57/5E	Bolt, shear, 1/4" BSF	8	-	KC4/9
R A27E	Nut, 1/4" BSF	8	-	KC4/10
R SP13E	Washer	8	-	KC4/11
R EA1.12.51	FRAME No. 40	1	-	KC4/12
R EA1.12.53	FRAME No. 41	1	-	KC4/13
R EA1.12.55	FRAME No. 42, TAILPLANE HINGE GROUP	1	-	KC4/14
R EA3.12.163	Spares for :- BRACKET, hinge fitting tailplane, port	1	-	KC4/15
R EA3.12.267	Spares for :- BUSH	1	S96	KC4/16
R EA3.03.237	BUSH, oversize, special repair	1	S92	
R EA3.12.164	BRACKET, hinge fitting, tailplane, starboard	1	-	KC4/17
	Spares for :-			
R EA3.12.265	BUSH	1	S96	KC4/18
R EA3.03.235	BUSH, oversize, special repair	1	S92	
	Attaching parts for EA3.12.163 and EA3.12.164 :-			
R A25/5E	Bolt, 1/4" BSF	3	-	KC4/19
R A25/7E	Bolt, 1/4" BSF	1	-	KC4/20
R A60/5G	Bolt, 5/16" BSF	8	-	KC4/21
R A27EP	Nut, 1/4" BSF	4	-	KC4/22
R A27GT	Nut, 5/16" BSF	8	-	KC4/23
R SP15E	Washer	4	-	KC4/24
R SP16G	Washer	8	-	KC4/25

FUSELAGE  
REAR FUSELAGE AND TAIL UNIT

Part Number	Description 1 2 3 4 5 6	No. Off	Matl. Spec.	Plate No.

## FUSELAGE

## REAR FUSELAGE AND TAIL UNIT

Part Number	Description						No. Off	Mtl. Spec.	Plate No.
	1	2	3	4	5	6			
EA1.12.441	.	.	.	.	.	.	1	-	KC4/26
A25/2C	.	.	.	.	.	.	8	-	KC4/27
A25/4C	.	.	.	.	.	.	2	-	KC4/28
A27CP	.	.	.	.	.	.	10	-	KC4/29
EA1.12.229	.	.	.	.	.	.	1	DTD683	KC4/30
EA1.12.231	.	.	.	.	.	.	1	DTD683	KC4/31
EA1.12.232	.	.	.	.	.	.	1	DTD683	KC4/32
A25/8G	.	.	.	.	.	.	2	-	KC4/33
A27GP	.	.	.	.	.	.	2	-	KC4/34
SP16G	.	.	.	.	.	.	1	-	KC4/35
SP15G	.	.	.	.	.	.	3	-	KC4/36
EA1.12.121	.	.	.	.	.	.	1	-	KC4/37A
EA1.12.122	.	.	.	.	.	.	1	-	KC4/37
EA1.12.165	.	.	.	.	.	.	1	-	KC4/38
EA1.12.123	.	.	.	.	.	.	1	-	KC4/39
EA1.12.167	.	.	.	.	.	.	1	-	KC4/40
EA2.12.267	.	.	.	.	.	.	1	-	KC4/41
EA1.12.237	.	.	.	.	.	.	1	-	
EA1.12.237/A	.	.	.	.	.	.	1	-	
EA1.12.239	.	.	.	.	.	.	1	-	
SP80/607	.	.	.	.	.	.	12	-	
or									
EA1.12.1625	.	.	.	.	.	.	12	-	
A27/CP	.	.	.	.	.	.	12	-	
EA1.12.1627	.	.	.	.	.	.	12	-	
EA1.12.238	.	.	.	.	.	.	1	-	
EA1.12.238/A	.	.	.	.	.	.	1	-	
EA1.12.239	.	.	.	.	.	.	1	-	
SP80/607	.	.	.	.	.	.	12	-	
or									
EA1.12.1625	.	.	.	.	.	.	12	-	
A27/CP	.	.	.	.	.	.	12	-	
EA1.12.1627	.	.	.	.	.	.	12	-	
R EA1.12.593	.	.	.	.	.	.	1	-	
R EA3.12.273	.	.	.	.	.	.	1	-	KC3/33
R EA1.12.595	.	.	.	.	.	.	2	-	KC3/34
R EA1.12.139	.	.	.	.	.	.	2	S11	KC3/35
R EEAS37/16A	.	.	.	.	.	.	4	S11	KC3/36
R EEAS37/22A	.	.	.	.	.	.	4	S11	KC3/37
R EEAS38/3A	.	.	.	.	.	.	4	S11	KC3/38
R EA1.12.141	.	.	.	.	.	.	2	S11	KC3/39
R A27NS	.	.	.	.	.	.	2	-	KC3/40
R SP15N	.	.	.	.	.	.	2	-	KC3/41

FUSELAGE  
REAR FUSELAGE AND TAIL UNIT

Part Number	Description	No. Off	Mater. Spec.	Plate No.
EB6.12.11	. . . STUB, RUDDER, ASSEMBLY (PRE-MOD 1277)	-	-	
EA9.12.11	. . . STUB, RUDDER, ASSEMBLY (MOD 1277)	-	-	
EA3.12.227	. . . BRACKET, RUDDER STOP, L.H., ASSEMBLY Spares for :-	1	-	KC5/1
EA3.12.225	. . . . . BUFFER, rubber Spares for :-	1	Natural Rubber	KC5/2
EA3.12.228	. . . BRACKET, RUDDER STOP, R.H., ASSEMBLY Spares for :-	1	-	KC5/3
EA3.12.225	. . . . . BUFFER, rubber Spares for :-	1	Natural Rubber	KC5/4
EA3.12.213	. . . . . Attaching parts for EA3.12.227 and EA3.12.228 :- Bolt, special	4	S96	KC5/5
EA3.12.215	. . . . . Bolt, special	1	S96	KC5/6
EA3.12.217	. . . . . Bolt, special	1	S96	KC5/7
EA3.12.219	. . . . . Bolt, special	1	S96	KC5/8
AS1242/3E	. . . . . Bolt, 1/4" BSF	1	-	KC5/9
AS1242/4E	. . . . . Bolt, 1/4" BSF	1	-	KC5/10
AGS2001C1/66	. . . . . Nut, 2BA	7	-	KC5/11
AGS2002E1	. . . . . Nut, 1/4" BSF	2	-	KC5/12
SP13C	. . . . . Washer	7	-	KC5/13
SP15E	. . . . . Washer	1	-	KC5/14
SP16E	. . . . . Washer	1	-	KC5/15
EA1.12.1427	. . . COVER, access, front	1	L72	KC5/16
EA1.12.1429	. . . COVER, access, rear (Pre-Mod 1277)	1	L72	
EEAS1/1C	. . . . . Attaching parts for EA1.12.1427 and EA1.12.1429 :- Screw, 2BA	8	S96	KC5/17
EA3.12.295	. . . COVER, access plate, lower	1	L72	KC5/20
EA3.12.299	. . . COVER, access plate, upper	1	L72	KC5/21
AGS2001C1/66	. . . . . Attaching parts for EA3.12.295 and EA3.12.299 :- Nut, 2BA	2	-	KC5/22
EEAS1/1C	. . . . . Screw, 2BA	11	-	KC5/23
EA3.33.297	. . . HOUSING, BOTTOM, BEARING (MOD 4707) Spares for :-	1	-	KC1/39
EA3.33.299	. . . . . PLATE, SPLIT BEARING Spares for :-	1	L72	KC1/40
EA3.33.301	. . . . . PLATE, half, bearing Attaching parts for EA3.33.297 :-	1	L72	KC1/41
AS1242/4C	. . . . . Bolt, 2BA	8	-	KC1/42
AGS2008C1	. . . . . Nut, double anchor	8	-	KC1/43
EB7.12.21	. . . RIB, RUDDER STUB, LOWER, ASSEMBLY Spares for :-	1	-	KC5/18
EA1.12.873	. . . . . STRIP, sealing	2	Rubber	KC5/19
EA1.12.283	. . . RIB, RUDDER STUB, UPPER, ASSEMBLY Spares for :-	1	-	KC5/24
EA1.12.207	. . . . . HINGE, RUDDER, BOTTOM, ASSEMBLY Consisting of :-	1	-	KC5/25
RANSOME & MARLES M.J. 7/8"	. . . . . BALLRACE	1	-	KC5/26
EA1.12.205	. . . . . BRACKET, rudder, hinge	1	L45	KC5/27
AGS2030/89	. . . . . CIRCLIP	1	-	KC5/28
AS1242/3C	. . . . . Attaching parts for EA1.12.207 :- Bolt, 2BA	8	-	KC5/29
AGS2001C1/66	. . . . . Nut, 2BA	8	-	KC5/30
SP16C	. . . . . Washer	8	-	KC5/31

## FUSELAGE

## REAR FUSELAGE AND TAIL UNIT

Part Number	Description	No. Off	Mtl. Spec.	Plate No.	
					1
EA1.12.357	. . . . . STUD, lower, tail cone attachment	2	-	KC5/32	
EA1.12.547	. . . . . STUD, upper, tail cone attachment	2	-	KC5/33	
A27EP	. . . . . Attaching parts for EA1.12.357 and EA1.12.547 :- Nut, 3/4" BSF	1	-	KC5/34	
EA9.12.103	. . . . . STUB, ASSEMBLY, PORT	1	-		
EA9.12.104	. . . . . STUB, ASSEMBLY, STARBOARD	1	-		
	Spares for :-				
EA3.30.193	. . . . . PACKING, L.H.	1	-	KC5/35	
EA3.30.194	. . . . . PACKING, R.H.	1	-	KC5/36	
EA3.30.195	. . . . . PACKING, L.H.	1	-	KC5/37	
EA3.30.196	. . . . . PACKING, R.H.	1	-	KC5/38	
EA3.30.197	. . . . . PACKING, L.H.	1	-	KC5/39	
EA3.30.198	. . . . . PACKING, R.H.	1	-	KC5/40	
EA9.30.37	. . . . . PLATE, roller, L.H., assembly	1	-	KC5/41	
EA9.30.38	. . . . . PLATE, roller, R.H., assembly	1	-	KC5/42	
EA3.30.175	. . . . . PLATE, roller, L.H., assembly	1	-	KC5/43	
EA3.30.176	. . . . . PLATE, roller, R.H., assembly	1	-	KC5/44	
EA3.30.187	. . . . . STRIP, reinforcing	1	-	KC5/45	
EA3.30.188	. . . . . STRIP, reinforcing	1	-	KC5/46	
	Attaching parts for EA9.12.103/104 :-				
A25/4C	. . . . . Bolt	4	-	KC5/47A	
AGS2001C1/66	. . . . . Nut	4	-	KC5/47B	
EA1.12.649	. . . . . Washer, corner	4	-	KC5/47C	
EA1.12.391	. . . . . Washer, tapered	4	L72	KC5/47	
EA1.12.597	. . . . . PLATE, sealing, tailplane to fuselage, forward, port	1	-	KC1/32	
EA1.12.598	. . . . . PLATE, sealing, tailplane to fuselage, forward starboard	1	-	KC1/33	
EA1.12.599	. . . . . PLATE, sealing, tailplane to fuselage, aft, port	1	-	KC1/34	
EA1.12.600	. . . . . PLATE, sealing, tailplane to fuselage, aft, starboard	1	-	KC1/35	
EB6.00.61	. . . . . PLATE, SEALING, TAILPLANE, ATTACHMENT DETAILS (See Section N)	-	-	KC1/36	
EA3.33.1	. . . . . RUDDER, C/W TAB (PRE-MOD 5043)	1	-	KC1/37	
EA3.00.5397	. . . . . RUDDER, C/W TAB (MOD 5043) (PRE-MOD 5111)	1	-		
EA3.00.5489	. . . . . RUDDER, C/W TAB (MOD 5111) (PRE-MOD 5119)	1	-		
EB7.00.5211	. . . . . RUDDER, C/W TAB (MOD 5119) (See Section T)	1	-		
EA1.00.57	. . . . . RUDDER, TO FIN AND FUSELAGE, ATTACHMENT DETAILS (See Section N)	-	-		
EA9.30.5	. . . . . SEALING, UPPER TAILPLANE, INSTALLATION	-	-		
	Spares for :-				
EA9.30.7	. . . . . SEALING, TAILPLANE TO TAILPLANE STUB, PORT, GROUP	-	-	KC1/44	
	Spares for :-				
EA3.30.193	. . . . . PACKING	1	-	KC1/45	
EA3.30.195	. . . . . PACKING, fillet	1	-	KC1/46	
EA3.30.197	. . . . . PACKING, fillet	1	-	KC1/47	
EA9.30.37	. . . . . PLATE, roller, assembly	1	-	KC1/48	
EA3.30.175	. . . . . PLATE, roller, assembly, stub rib (pre-Mod 2594)	1	-	KC1/49	
EA3.30.187	. . . . . STRIP, reinforcing	1	-	KC1/50	

FUSELAGE  
REAR FUSELAGE AND TAIL UNIT

Part Number	Description	No. Off	Mati. Spec.	Plate No.
EA9.30.8	. . . SEALING, TAILPLANE TO TAILPLANE STUB, STARBOARD GROUP Spares for :-	-	-	
EA3.30.194	. . . PACKING	1	-	
EA3.30.196	. . . PACKING, fillet	1	-	
EA3.30.198	. . . PACKING, fillet	1	-	
EA9.30.38	. . . PLATE, roller, assembly	1	-	
EA3.30.176	. . . PLATE, roller, assembly, stub rib	1	-	
EA3.30.188	. . . STRIP, reinforcing	1	-	
EA9.30.27	. . . SEALING, TAILPLANE TO RUDDER STUB PORT, GROUP Spares for :-	-	-	KC1/51
EA3.30.267	. . . PLATE, insert	1	-	KC1/52
EA9.30.39	. . . SPRING-SEAL, assembly	1	-	KC1/53
EA9.30.28	. . . SEALING, TAILPLANE TO RUDDER STUB, STARBOARD, GROUP Spares for :-	-	-	
EA3.30.268	. . . PLATE, insert	1	-	
EA9.30.40	. . . SPRING-SEAL, assembly	1	-	
EA9.00.21	. . . TAILPLANE AND ELEVATORS (PRE-MOD 5100) (See Section N)	-	-	KC1/38
EG4.00.417	. . . TAILPLANE AND ELEVATORS (ALT. R60/13- MOD 5100) (See Section N)	-	-	
EB6.00.53	. . . TAILPLANE TO REAR FUSELAGE, ATTACHMENT DETAILS (See Section N)	-	-	
EB7.57.293	. . . VENTING, FUEL, BETWEEN FRAME 30 AND FRAME 40 (See Section S)	-	-	

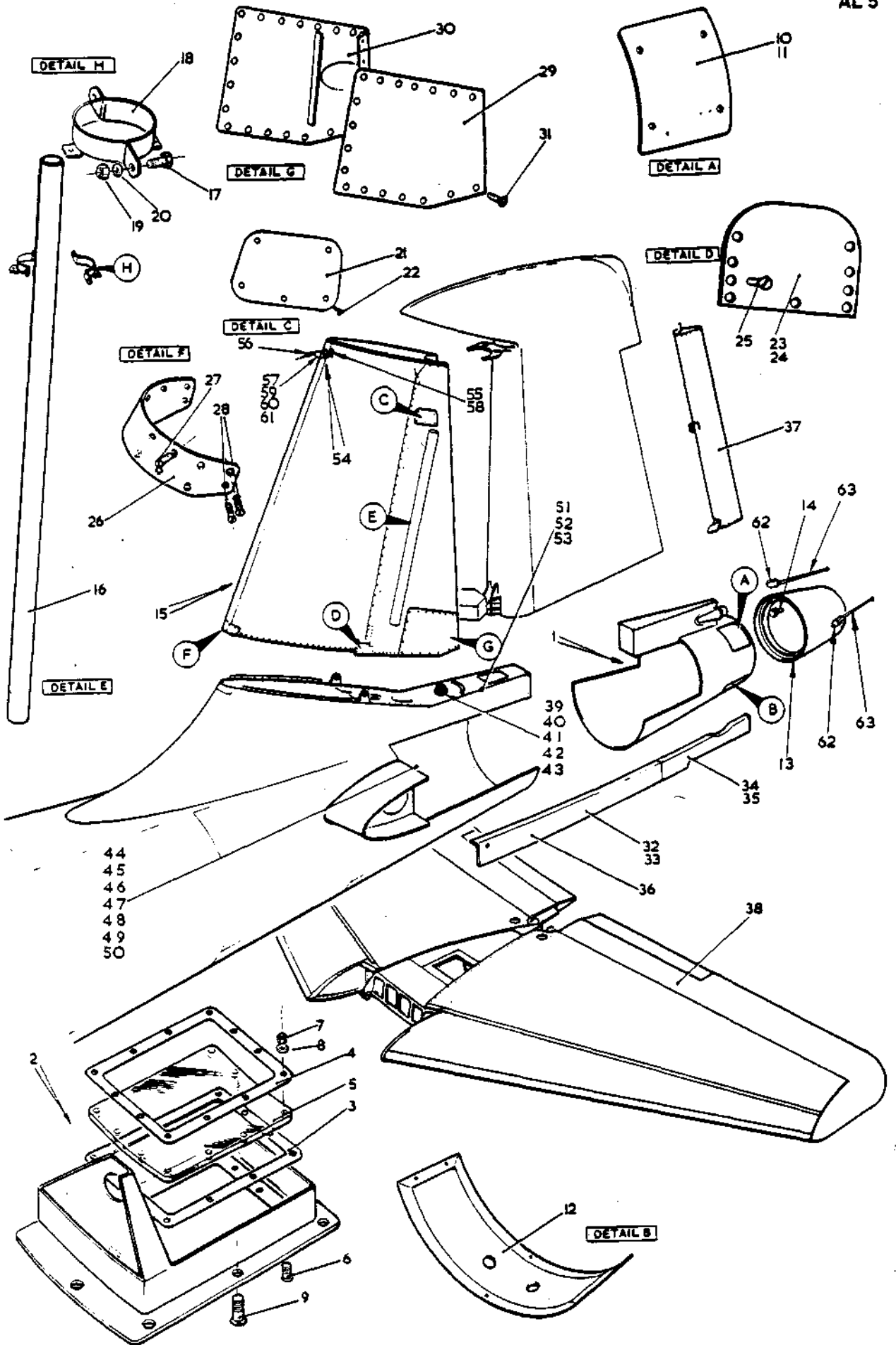


FIG. 1 REAR FUSELAGE AND TAIL UNIT

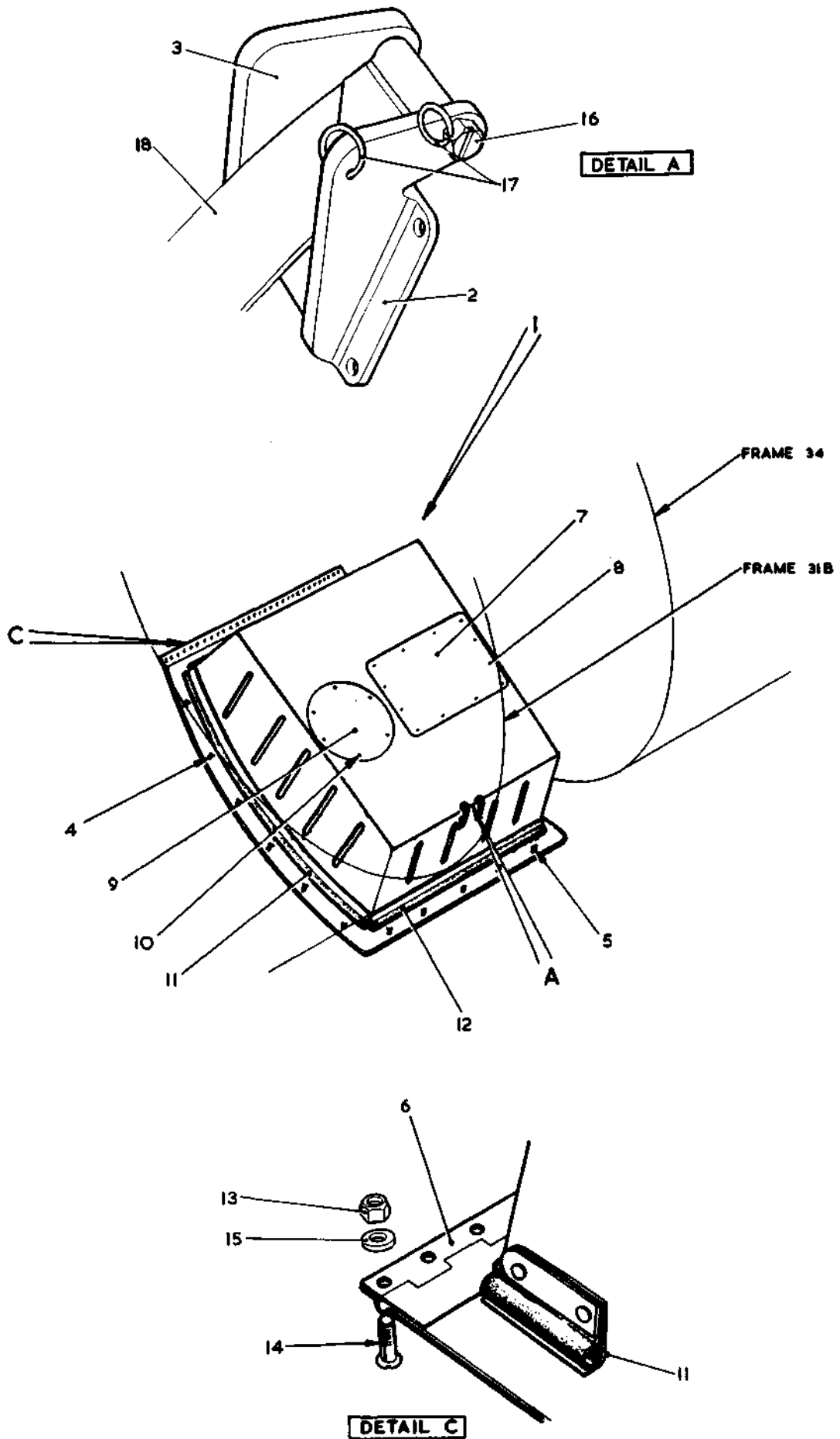


FIG. 2 DOOR EQUIPMENT ACCESS



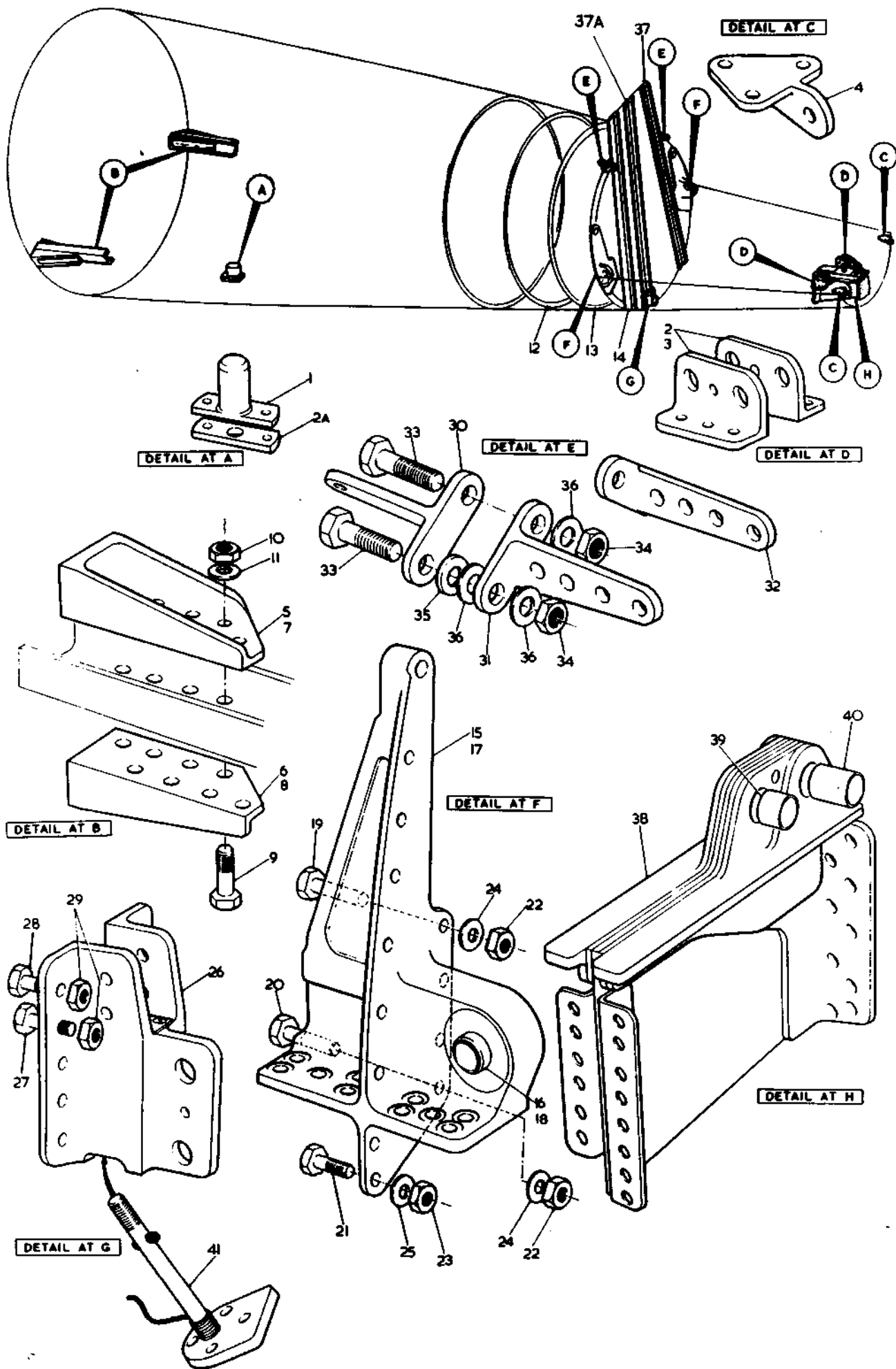


FIG. 4 REAR FUSELAGE AND TAIL UNIT

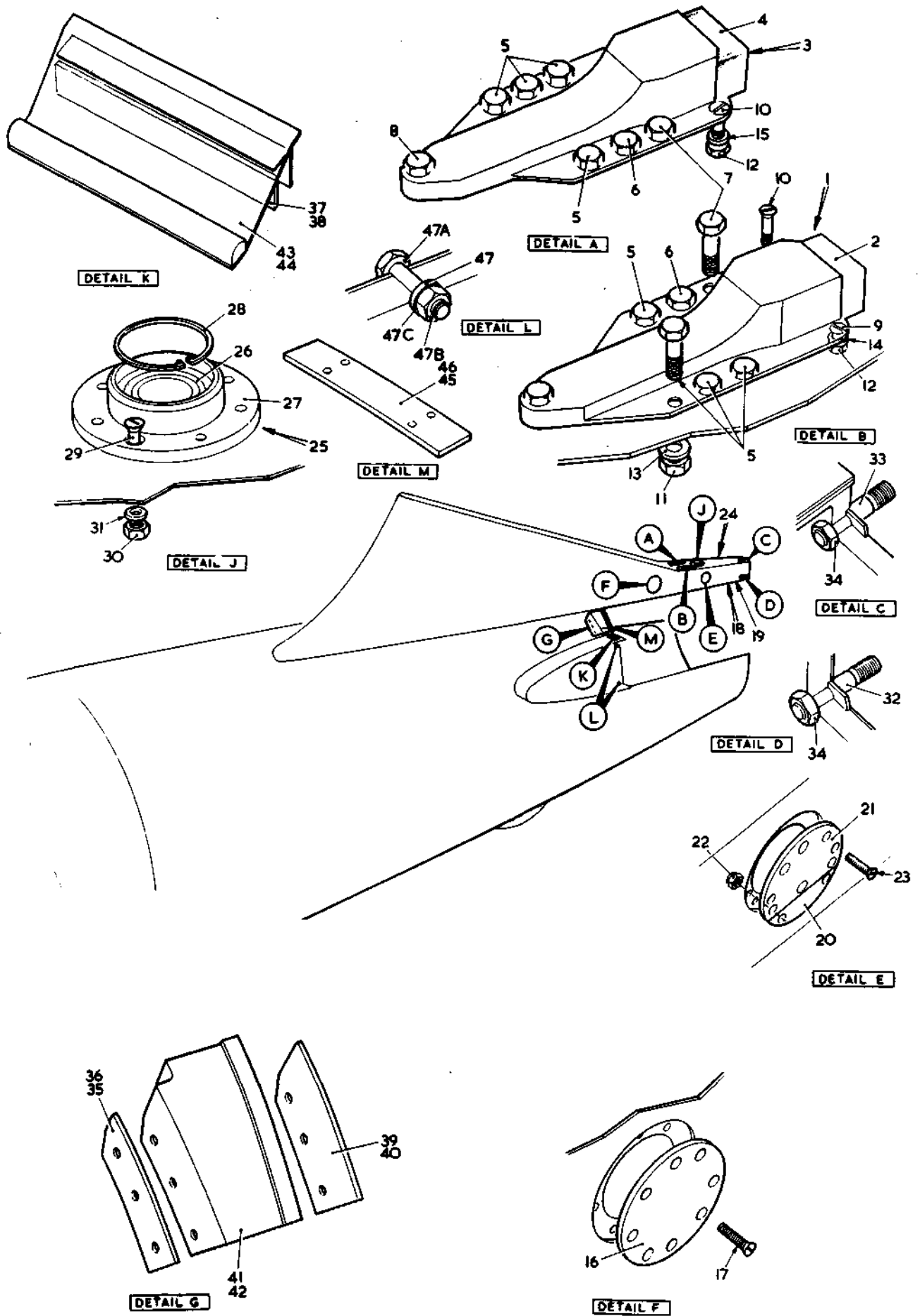


FIG. 5. REAR FUSELAGE AND TAIL UNIT

This file was downloaded  
from the RTFM Library.  
Link: [www.scottbouch.com/rtfm](http://www.scottbouch.com/rtfm)

Please see site for usage terms,  
and more aircraft documents.

