

MAINPLANE
MAINPLANE AND FLAPS

Part Number	Description	No. Off	Mati. Spec.	Plate No.
R EG4.07.39	WING, PORT ASSEMBLY (Spares for EG4.00.511) (PRE-MOD 5347)	1	-	
R EG4.00.641	WING, PORT ASSEMBLY (Spares condition port wing based on EG4.00.511) (MOD 5347)	1	-	LA1/1
R EG4.07.40	WING, STARBOARD ASSEMBLY (Spares for EG4.00.512) (PRE-MOD 5347)	1	-	
R EG4.00.642	WING, STARBOARD ASSEMBLY (Spares condition starboard wing based on EG4.00.512 to LTF standard) (MOD 5347)	1	-	LA1/2
EA3.40.179	. ADAPTOR, lubricating nipple for side stay pivot bolt	1	S95	LA1/3
EB6.20.349	. ADAPTOR, FUEL DRAIN, PORT, INSTALLATION	-	-	LA2/1
EB6.20.350	. ADAPTOR, FUEL DRAIN, STARBOARD INSTALLATION	-	-	LA2/2
	Spares for:-			
EB6.20.1165	. . ADAPTOR, drain	1	-	LA2/3
EB6.20.351	. . CLIP, suction (fairing) drain	1	-	LA2/4
EA9.00.109	. AILERON, PORT, ASSEMBLY (see page LB.1)	-	-	
EA9.00.110	. AILERON, STARBOARD, ASSEMBLY (see page LB.1)	-	-	
EA3.20.2479	. BOLT, aileron, hinge, bracket	4	S95	LA1/4
EA1.40.243	. BOLT, u/c, hinge, side stay link	1	S65 or S81	LA1/5
EA1.20.1107	. BOLT, main u/c	1	S65	LA1/6
EA3.40.177	. BOLT, u/c side stay pivot	1	S65 or S81	LA1/7
AGS899/8	. COLLAR, air brake jack pins	2	-	LA3/1
EA9.25.3	. FLAP, INNER WING, PORT, ASSEMBLY	1	-	LA3/2
EA9.25.4	. FLAP, INNER WING, STARBOARD, ASSEMBLY	1	-	LA3/3
	Spares for:-			
R EA1.25.63	. . BOLT, flap link attachment	2	S96	LA3/6
R A27JS	. . NUT, 3/8" BSF, for flap link attachment bolt	2	-	LA3/8
R SP90C8	. . PIN, split	2	-	LA3/8A
R EA1.25.53	. . RIB, trailing edge end	1	-	
R EA1.25.54	. . RIB, trailing edge end	1	-	
R EA1.25.67	. . WASHER, bevel	4	L64	LA3/10
R EEAS28/37/EU	. . WASHER, special	2	-	LA3/11A
	Attaching parts for EA9.25.3 and EA9.25.4:-			
R EA1.25.265	. Bolt, special	2	S15	LA3/7
R A27JS	. Nut, 3/8" BSF	2	-	LA3/8B
R SP90C8	. PIN, split	2	-	LA3/8C
R EA1.25.43	. Washer, spherical (datum bracket)	2	S96	LA3/9
R SP122J	. Washer, 3/8"	2	-	LA3/11
	FLAP, OUTER WING, PORT, ASSEMBLY	1	-	LA3/4
EA9.25.1	FLAP, OUTER WING, STARBOARD, ASSEMBLY	1	-	LA3/5
EA9.25.2	Spares for:-			
EA9.25.25	. . BLOCK, end, port	1	-	
EA9.25.26	. . BLOCK, end, starboard	1	-	
EA9.25.27	. . BLOCK, end, port	1	-	
EA9.25.28	. . BLOCK, end, starboard	1	-	
R EA1.25.63	. . BOLT, flap link attachment	2	S96	LA3/6
R A27JS	. . NUT, 3/8" BSF, for flap link attachment bolt	2	-	LA3/8
R SP90C8	. . PIN, split	2	-	LA3/8A
R EA1.25.11	. . RIB, No. 1, trailing edge, port	1	-	
R EA1.25.12	. . RIB, No. 1, trailing edge, starboard	1	-	
R EA1.25.67	. . WASHER, bevel	4	L64	LA3/10
R EEAS28/37/EU	. . WASHER, special	2	-	LA3/11A
	Attaching parts for EA9.25.1 and EA9.25.2:-			
R EA1.25.265	. Bolt, special	2	S15	LA3/7
R A27JS	. Nut, 3/8" BSF	2	-	LA3/8B
R SP90C8	. Pin, split	2	-	LA3/8C
R EA1.25.43	. Washer, spherical (datum bracket)	2	S96	LA3/9
R SP122J	. Washer	2	-	LA3/11

MAINPLANE
MAINPLANE AND FLAPS

Part Number	Description	No. Off	Matl. Spec.	Plate No.
EA1.50.69	. LINK, COWL DOOR, ASSEMBLY Spares for :-	1	-	LA1/8
EA1.50.75	. . BEARING, spherical	2	L40	LA1/9
EA1.50.77	. . FITTING, plug end Attaching parts for EA1.50.77 :-	2	L40	LA1/10
SP65L8	. . Pin, taper	2	-	LA1/11
EA1.50.71	. . HOUSING, bearing Attaching parts for EA1.50.71 :-	2	S1	LA1/12
SP90E10	. . Pin, split 3/32" dia	1	-	LA1/12A
EA1.50.69A	. . LINK, tube 1/2" o/d x 17 SWG	1	T45	LA1/13
SP21	. NIPPLE, lubricating side stay pivot	1	-	LA1/14
EA1.40.287	. NUT, castle, side stay link bolt	2	S11	LA1/15
EA1.20.1287	. NUT, main u/c pivot bolt	1	S11	LA1/16
EA1.20.1099	. PANEL, access, aileron control rod joint bottom skin	2	L73	LA2/5
EA1.20.2289	. PANEL, access, aileron control intermediate joint bottom skin	1	-	LA2/6
EA9.20.2769	. PANEL, access, aileron control intermediate joint bottom skin, port	1	-	LA2/7
EA9.20.2770	. PANEL, access, aileron control, intermediate joint bottom skin, starboard	1	-	LA2/8
EA3.20.4621	. PANEL, access, aileron control joint bottom skin (Alt. R60/92)	1	-	LA2/9
EA3.20.685	. PANEL, access, aileron control rod, bottom skin	1	-	LA2/10
EA9.20.2761	. PANEL, access, air brake operating jack bottom skin	2	-	LA2/11
EA1.20.1045	. PANEL, access, electrical equipment bottom skin port	1	-	LA2/12
EA1.20.1046	. PANEL, access, electrical equipment bottom skin starboard	1	-	LA2/13
EA3.20.1819	. PANEL, access, electrical equipment bottom skin	1	-	LA2/14
EA1.20.1693	. PANEL, access, forward fixing bolts of connecting ring to false spar and rib	2	L73	LA2/15
EA3.20.687	. PANEL, access, front wing attachment pin, bottom skin, port	1	L73	LA2/16
EA3.20.688	. PANEL, access, front wing attachment pin, bottom skin, starboard	1	-	LA2/17
EA3.20.377	. PANEL, access, front wing attachment pin, top skin, port	1	L73	LA2/18
EA3.20.378	. PANEL, access, front wing attachment, pin, top skin, starboard	1	L73	LA2/19
EA3.20.2227	. PANEL, access, nitrogen, top skin, port	1	-	LA2/20
EG4.20.531	. PANEL, access, assembly NORD AS30 pylon attachment front (Mod 3833)	1	-	LA2/20A
EG4.20.113	. PANEL, access, NORD AS30 pylon attachment rear port (Mod 3833)	1	-	LA2/20B
EG4.20.114	. PANEL, access, NORD AS30 pylon attachment rear starboard (Mod 3833)	1	-	LA2/20C

AP101B-0415-3A

Page LA.3

MAINPLANE
MAINPLANE AND FLAPS

Part Number	Description	No. Off	Matl. Spec.	Plate No.
				1 2 3 4 5 6
EA3.20.2229	. PANEL, access, radar equipment, top skin port	1	-	LA2/21
EA3.20.2231	. PANEL, access, radar equipment, top skin port	1	-	LA2/22
EA3.20.2233	. PANEL, access, radar equipment, top skin port	1	-	LA2/23
EA3.20.353	. PANEL, access, rear wing attachment pin	1	L73	LA2/24
	Attaching parts for EA1.20.1099, EAI.20.2289, EA9.20.2769, EA1.20.2770, EA3.20.311, EA3.20.685, EA9.20.2761, EA1.20.1045, EA1.20.1046, EA3.20.1819, EA1.20.1693, EA3.20.687, EA3.20.688, EA3.20.377, EA3.20.378, EA3.20.2227, EA3.20.2229, EA3.20.2231, EA3.20.2233, EA3.20.353, EG4.20.531, EG4.20.113, and EG4.20.114 :-			
EG4.20.395	. Bolt, special	QR	-	LA2/24A
EEAS1/1½C	. Screw, csk. head, 2BA	QR	S96	LA2/25
EEAS1/2C	. Screw, csk. head, 2BA	QR	S96	LA2/26
EEAS1/2E	. Screw, csk. head, ¼" BSF	QR	S96	LA2/27
EEAS1/2½E	. Screw, csk. head, ¼" BSF	QR	S96	LA2/28
EEAS1/5E	. Screw, csk. head, ¼" BSF	QR	S96	LA2/29
EEAS1/1½G	. Screw, csk. head, 5/16" BSF	QR	S96	LA2/30
EEAS1/2G	. Screw, csk. head, 5/16" BSF	QR	S96	LA2/31
EG4.20.519	. PANEL, access NORD AS30 winch attachment (Mod 3833)	2	-	LA2/20D
SP4YH12	. PIN, air brake jack, hinge	1	-	LA3/12
SP4YH17	. PIN, air brake jack, hinge	1	-	LA3/13
SP90E6	. PIN, split, air brake jack hinge	2	-	LA3/1A
EA3.20.1813	. PIN, split, u/c pivot bolt	1	DTD268	LA1/17
or SP90L24	. PIN, split, u/c pivot bolt	1	-	
EG4.20.533	. PLATE, cover assembly (Mod 3833) Attaching parts for EG4.20.533 :-	1	-	LA2/32
AS1248/2C	. Bolt, 2BA	4	-	LA2/33
R EA9.20.1137	. PLATE, locking, u/c pivot bolt	1	-	LA1/18
EA1.24.901	. SHIM, aileron centre hinge	1	-	LA1/19
EA3.20.1129	. STOP, block, for side stay pivot bolt, port	1	DTD683	LA1/20
EA3.20.1130	. STOP, block, for side stay pivot bolt, starboard	1	DTD683	LA1/21
	Attaching parts for EA3.20.1129 & EA3.20.1130 :-			
AS1242/3C	. Bolt, csk. head, 2BA	2	-	LA1/22
EA6.50.223	. SUPPORT, COWL HOOP TO WING, PORT ASSEMBLY	-	-	LA1/23
EA6.50.224	. SUPPORT, COWL HOOP TO WING, STARBOARD ASSEMBLY	-	-	LA1/24
	Spares for :-			
EA6.50.227	. SUPPORT, hoop engine cowl, bottom port	1	-	LA1/25
EA6.50.228	. SUPPORT, hoop engine cowl, bottom starboard	1	-	LA1/26
EB6.00.107	. SUPPORT, hoop engine cowl, top, port (Ref. Drg. EA6.50.225)	1	-	LA1/27
EB6.00.108	. SUPPORT, hoop engine cowl, top, starboard (Ref. Drg. EA6.50.226)	1	-	LA1/28
	Attaching parts for EA6.50.227, EA6.50.228, EB6.00.107 & EB6.00.108 :-			
EA1.50.363	. Bolt, special	4	HTS	LA1/29
SP13J	. Washer	4	-	LA1/30

MAINPLANE
MAINPLANE AND FLAPS

Part Number	Description	No. Off	Matl. Spec.	Plate No.
EA3.00.5174	. TIP, WING, PORT, ASSEMBLY (see page LD.1) (Pre-Mod 5119)	-	-	
EB7.00.5207	. TIP, WING, PORT, ASSEMBLY (See page LD.1) (Mod 5119)	-	-	
EA3.00.5175	. TIP, WING, STARBOARD, ASSEMBLY (Pre-Mod 5119) (see page LD.1)	-	-	
EB7.00.5208	. TIP, WING, STARBOARD, ASSEMBLY (see page LD.1) (Mod 5119)	-	-	
EA3.80.1005	. UNIT, DETECTOR, G.4B COMPASS STARBOARD, INSTALLATION Spares for :-	-	-	LA3/14
6B1993	. . UNIT, detector, type A Attaching parts for Ref. 6B/1993 :-	1	-	LA3/15
A61/1C	. . Bolt, 2BA	3	-	LA3/16
AGS2001C1/66	. . Nut, stiff 2BA	3	-	LA3/17
SP15C	. . Washer	3	-	LA3/18
EA9.20.1143	. WASHER, main u/c, pivot bolt	1	-	LA1/31
EB7.50.87	. WHEELCASE, BREATHER, PIPE RUN, PORT ASSEMBLY	-	-	LA4/1
EB7.50.88	. WHEELCASE, BREATHER, PIPE RUN, STARBOARD ASSEMBLY Spares for :-	-	-	LA4/2
EB7.50.107	. . BRACKET, pipe clip mounting, on engine cowl hoop Attaching parts for EB7.50.107 :-	1	L72	LA4/3
A25/2B	. . Bolt, 4BA	4	-	LA4/4
AGS2001B1	. . Nut, stiff, 4BA	4	-	LA4/5
SP13B	. . Washer	4	-	LA4/6
EB7.50.125	. . CLAMP, pipe support, at engine cowl hoop Attaching parts for EB7.50.125 :-	1	-	LA4/7
A25/14C	. . Bolt, 2BA	2	-	LA4/8
SP13C	. . Washer	2	-	LA4/9
EB7.50.129	. . CLAMP, pipe support in engine nacelle Attaching parts for EB7.50.129 :-	6	-	LA4/10
A25/15C	. . Bolt, 2BA	2	-	LA4/11
AGS2001C1/66	. . Nut, stiff, 2BA	2	-	LA4/12
SP13C	. . Washer	4	-	LA4/13
EB7.50.119	. . CLIP, pipe Attaching parts for EB7.50.119 :-	3	L72	LA4/14
A25/1C	. . Bolt, 2BA	2	-	LA4/15
SP13C	. . Washer	2	-	LA4/16
EB7.50.115	. . FAIRLEAD, for pipe entry through fire wall, port	1	L64 or L59	LA4/17
EB7.50.116	. . FAIRLEAD, for pipe entry through fire wall, starboard Attaching parts for EB7.50.115 & EB7.50.116 :-	1	L64 or L59	LA4/18
A25/2C	. . Bolt, 2BA	4	-	LA4/19
AGS2001C1/66	. . Nut, stiff, 2BA	4	-	LA4/20
SP13C	. . Washer	4	-	LA4/21

MAINPLANE
MAINPLANE AND FLAPS

Part Number	Description	No. Off	Matl. Spec.	Plate No.						
					1	2	3	4	5	6
EB7.50.117	. . FAIRLEAD, for pipe through aft end of engine rib 1	1	L64 or L59	LA4/22						
A25/1C	. . Attaching parts for EB7.50.117 :- . . Bolt, 2BA	4	-	LA4/23						
EB7.50.121	. . FAIRLEAD, for pipe through forward end of engine rib 1	1	L64 or L59	LA4/24						
A25/2C	. . Attaching parts for EB7.50.121 :-	4	-	LA4/25						
EB7.50.141	. . Bolt, 2BA . . Nut, plate	1	-	LA4/26						
EB7.50.103	. . OUTLET, breather pipe, port	1	-	LA4/27						
EB7.50.104	. . OUTLET, breather pipe, starboard	1	-	LA4/28						
EB7.50.89	. . PIPE, assembly, from hose connection at engine rib 1A to hose connection at engine rib 1, port	1	L54	LA4/29						
EB7.50.90	. . PIPE, assembly, from hose connection at engine rib 1A to hose connection at engine rib 1, starboard	1	L54	LA4/30						
EB7.50.91	. . PIPE, assembly, from forward coupling at engine rib 1 to intermediate coupling port	1	L54	LA4/31						
EB7.50.92	. . PIPE, assembly, from forward coupling at engine rib 1 to intermediate coupling starboard	1	L54	LA4/32						
EB7.50.93	. . PIPE, assembly, from intermediate coupling to aft coupling at engine rib 1, port	1	L54	LA4/33						
EB7.50.94	. . PIPE, assembly, from intermediate coupling to aft coupling at engine rib 1, starboard	1	L54	LA4/34						
EB7.50.95	. . PIPE, assembly, from aft coupling at engine rib 1 to engine bay coupling, port	1	L54	LA4/35						
EB7.50.96	. . PIPE, assembly, from aft coupling at engine rib 1 to engine bay coupling, starboard	1	L54	LA4/36						
EB7.50.97	. . PIPE, assembly, from engine bay coupling to coupling aft of main spar, port	1	L54	LA4/37						
EB7.50.98	. . PIPE, assembly, from engine bay coupling to coupling aft of main spar, starboard	1	L54	LA4/38						
EB7.50.99	. . PIPE, assembly, from coupling aft of main spar to intermediate coupling, port	1	L54	LA4/39						
EB7.50.100	. . PIPE, assembly, from coupling aft of main spar to intermediate coupling, starboard	1	L54	LA4/40						
EB7.50.101	. . PIPE, assembly, from intermediate coupling to breather pipe outlet, port	1	L54	LA4/41						
EB7.50.102	. . PIPE, assembly, from intermediate coupling to breather pipe outlet, starboard	1	L54	LA4/42						
EB7.50.155	. . PIPE, assembly, from engine pipe connection to hose connection at rib 1A, port	1	L54	LA4/43						
EB7.50.156	. . PIPE, assembly, from engine pipe connection to hose connection at rib 1A, starboard	1	L54	LA4/44						
EB7.50.113	. . PLATE, stiffener, for breather outlet, 16 SWG	1	L72	LA4/45						
EEAS66/6	. . RING, clamping, for hose clips	16	L72	LA4/46						
DUNLOP										
DAS393/24/3	. . SLEEVE, pipe connecting	8	-	LA4/47						
EG4.20.701	. . WING, STRUCTURE, PORT, ASSEMBLY (see page LE.1)	-	-							
EG4.20.702	. . WING, STRUCTURE, STARBOARD, ASSEMBLY (see page LE.1)	-	-							

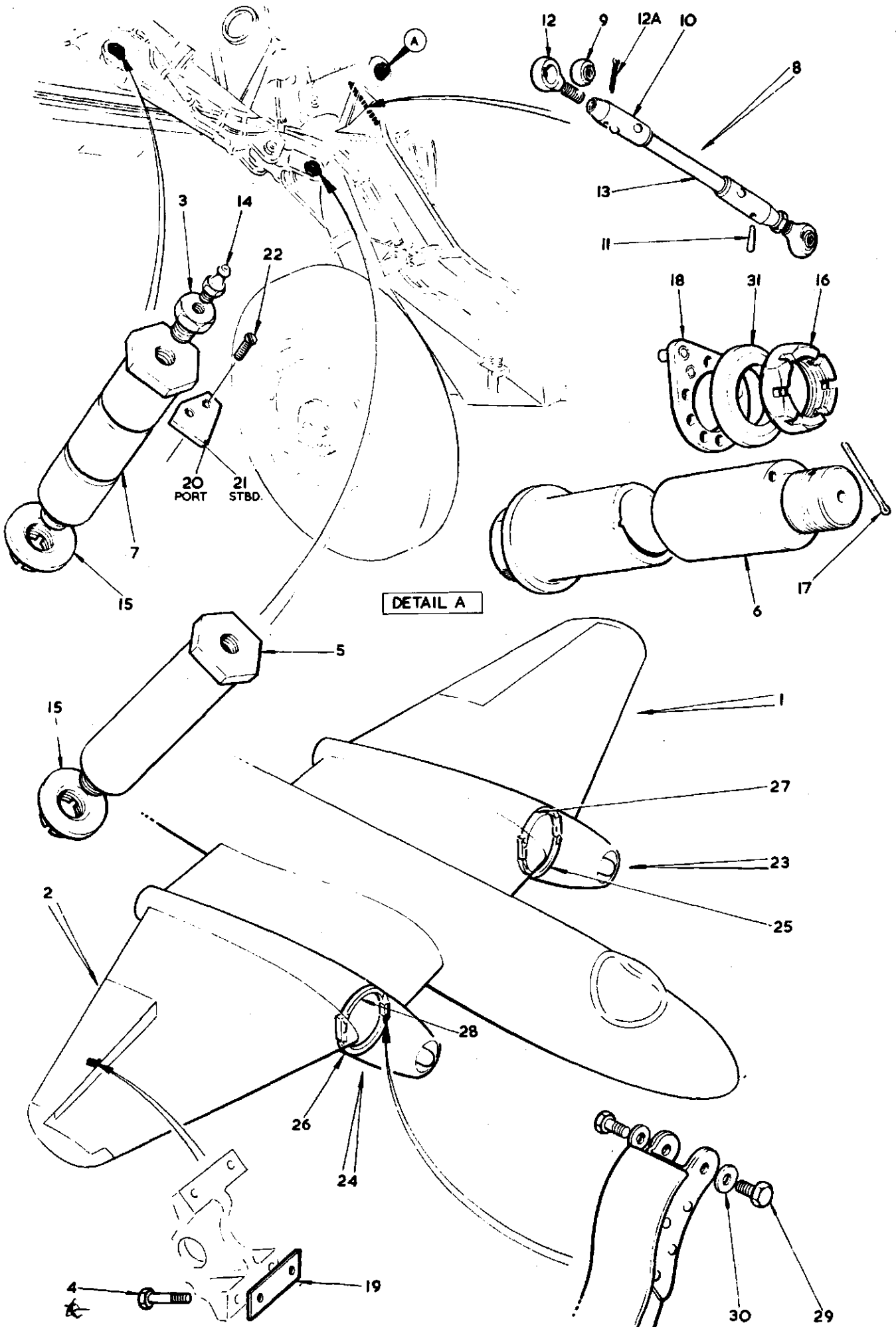


FIG.1 MAINPLANE AND FLAPS

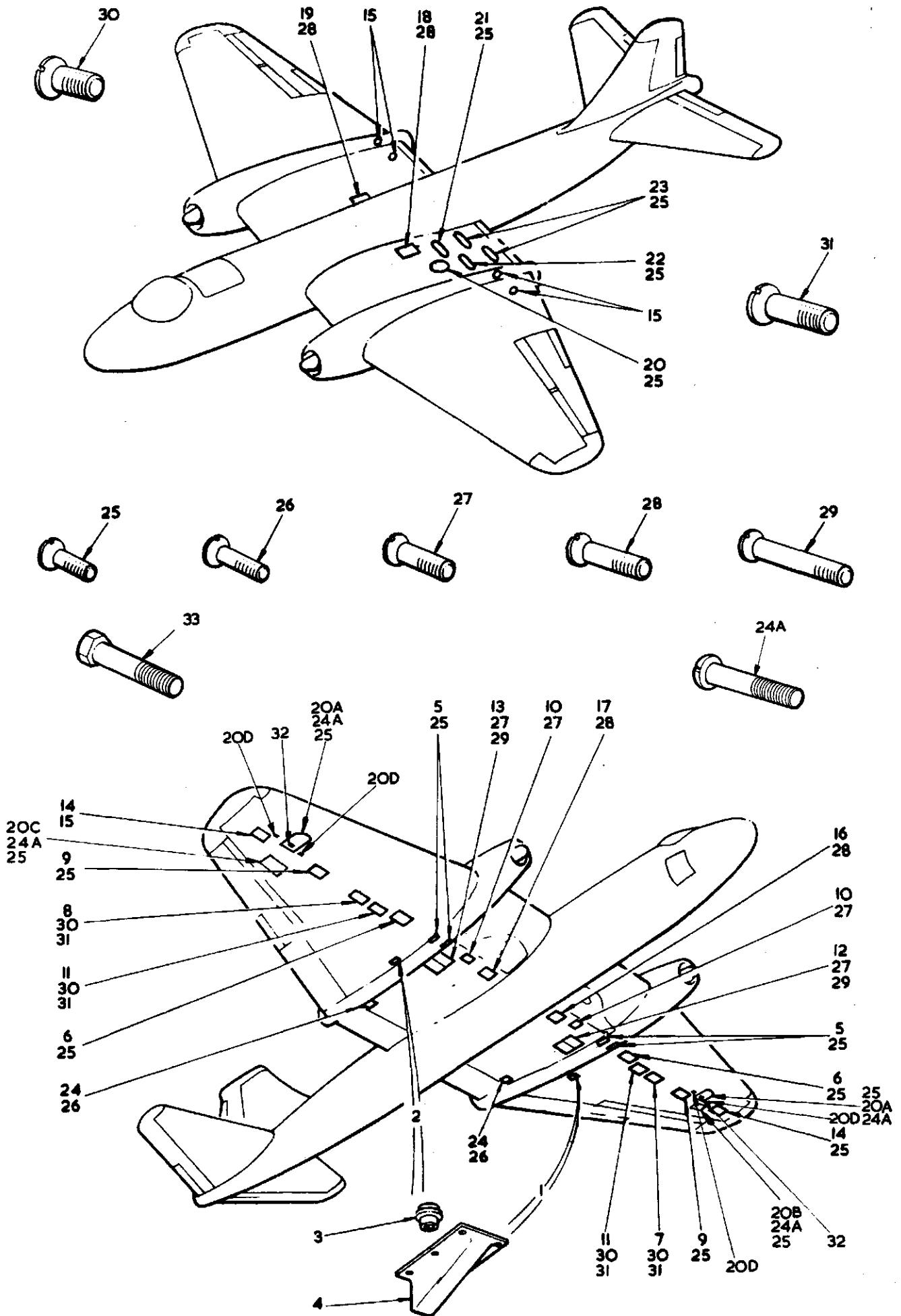


FIG 2 MAINPLANE AND FLAPS

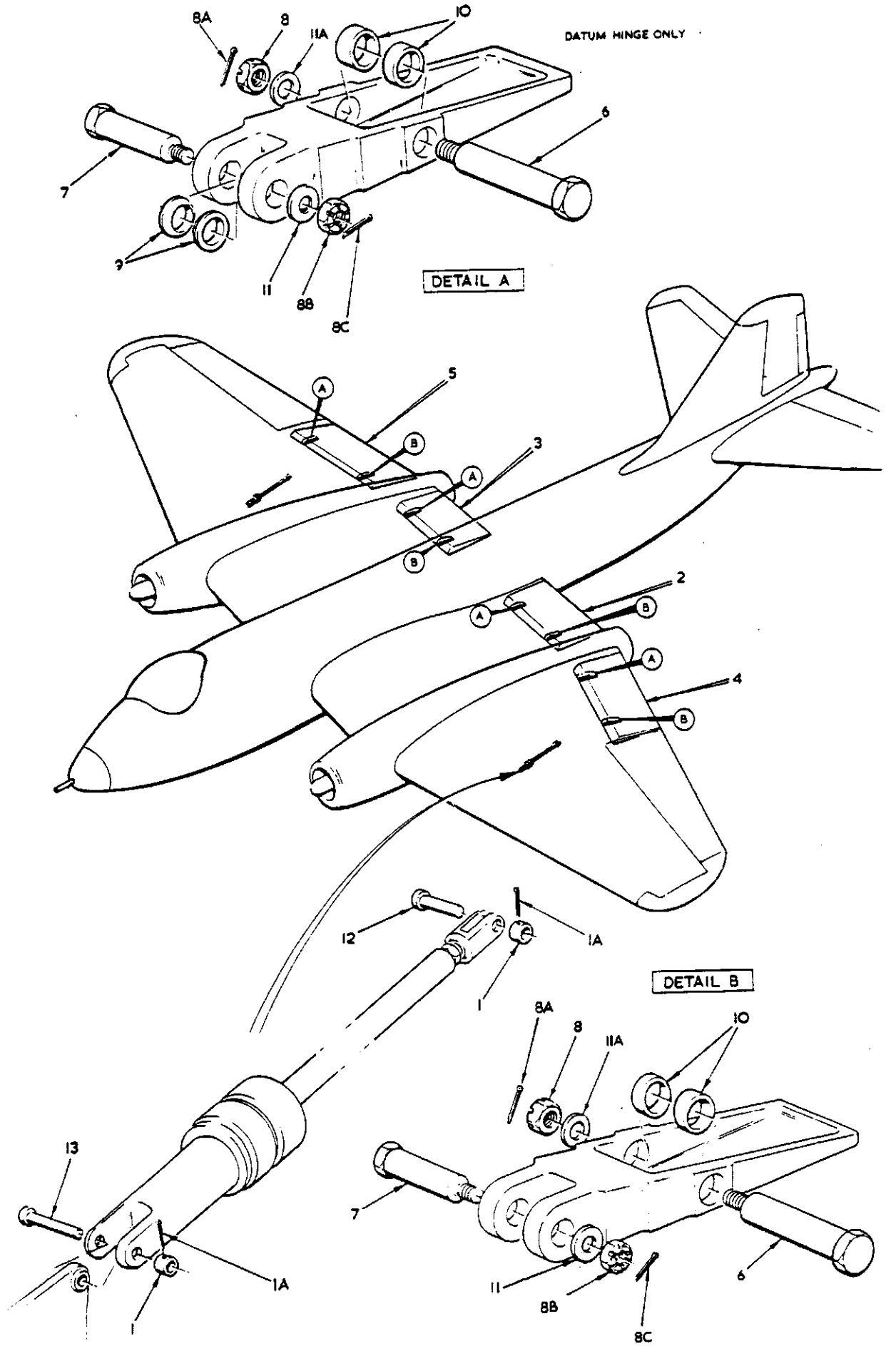


FIG 3 MAINPLANE AND FLAPS

CODE Z

SECT. LA

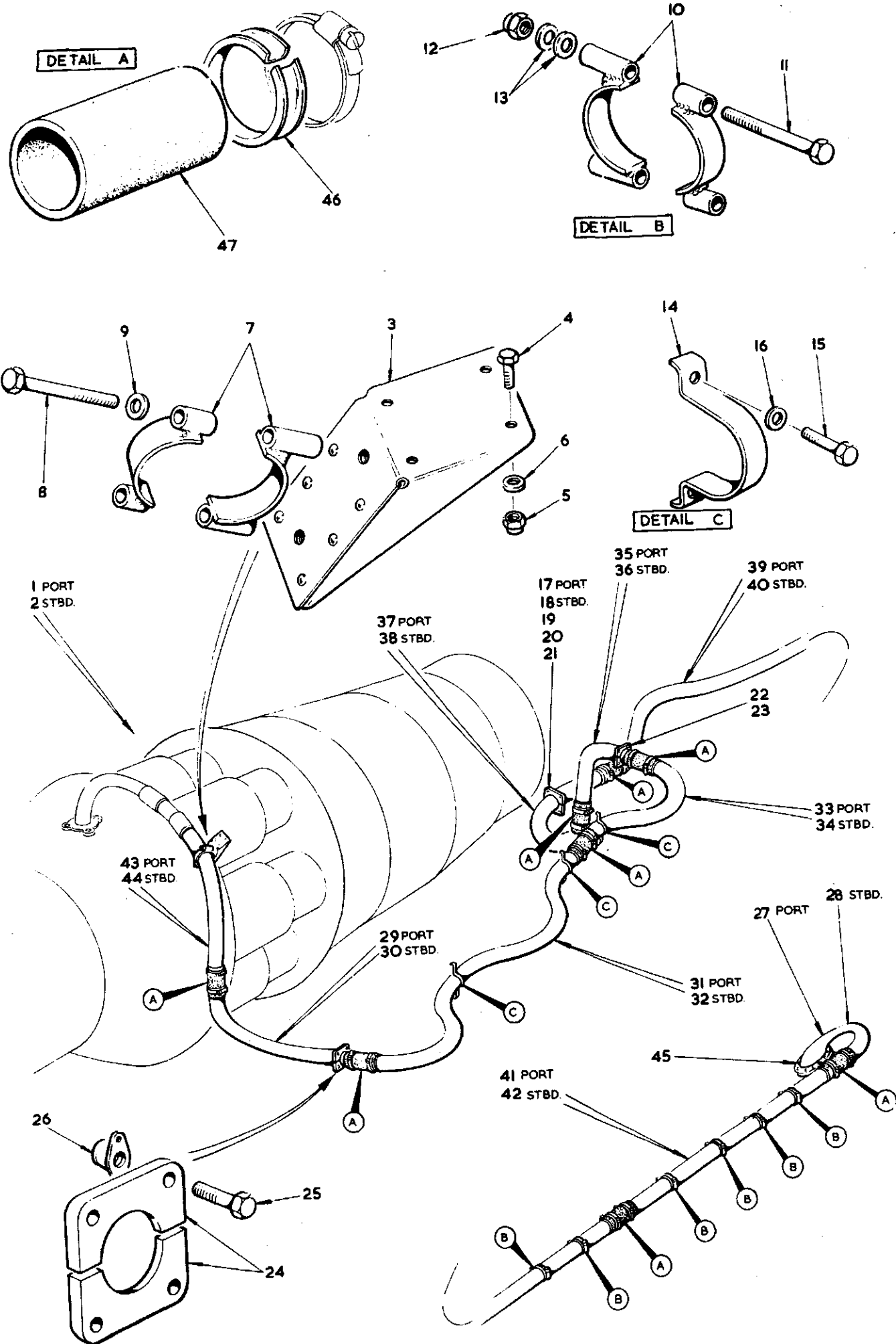


FIG 4. MAINPLANE AND FLAPS

This file was downloaded from the RTFM Library.

Link: www.scottbouch.com/rtfm

Please see site for usage terms, and more aircraft documents.



Instrument panel from a MiG-21 Provoost (XP558)