

MAINPLANE

AILERON

Part Number	Description	No. Off	Matl. Spec.	Plate No.
R EG4.00.607	AILERON PORT, ASSEMBLY (Spares for EA9.24.171) (Pre-Mod 5347)	1	-	
R EG4.00.627	AILERON, PORT, ASSEMBLY (EA9.24.171) (MOD 5347) (MOD 5111-MOD 5119) (MOD 5100)	1	-	LB1/1
R EG4.00.608	AILERON, STARBOARD, ASSEMBLY (Spares for EA9.24.172) (Pre-Mod 5347)	1	-	
R EG4.00.628	AILERON, STARBOARD, ASSEMBLY (EA9.24.172) (MOD 5347) (MOD 5111-MOD 5119) (MOD 5100)	1	-	LB1/45
EA9.24.5	. AILERON, REAR PORTION, ASSEMBLY, PORT (PRE-MOD 5100)	1	-	
R EA9.24.167	. AILERON, REAR PORTION, ASSEMBLY, PORT (ALT. R60/96 MOD 5100)	1	-	LB1/2
EA9.24.6	. AILERON, REAR PORTION, ASSEMBLY, STARBOARD (PRE-MOD 5100)	1	-	
R EA9.24.168	. AILERON, REAR PORTION, ASSEMBLY, STARBOARD (ALT. R60/96 MOD 5100)	1	-	LB1/46
EA1.24.259	. . CLIP, tab, push rod fairing, 30 SWG Spares for:-	1	Spring Steel	LB1/3
EA1.24.247	. . HOUSING, bearing, tab hinge inboard Attaching parts for EA1.24.247:-	1	L40	LB1/9
A27CP	. . Nut, 2BA	4	-	LB1/10
EEAS1/2C	. . Screw, 2BA	4	S96	LB1/11
SP15C	. . Washer	4	-	LB1/12
EA1.24.199	. . HOUSING, bearing, tab hinge, outboard Attaching parts for EA1.24.199:-	1	L64	LB1/4
A25/2C	. . Bolt, 2BA	3	-	LB1/5
A27CP	. . Nut, 2BA	3	-	LB1/6
SP15C	. . Washer	3	-	LB1/7
SP16C	. . Washer	3	-	LB1/8
EA1.24.261	. . HOUSING, c/w bearing tab hinge centre, port	1	-	LB1/13
EA1.24.262	. . HOUSING, c/w bearing tab hinge centre, starboard Attaching parts for EA1.24.261 and EA1.24.262:-	1	-	LB1/47
A25/3C	. . Bolt, 2BA	2	-	LB1/14
AS1242/3C	. . Bolt, csk. head, 2BA	1	-	LB1/15
A27CP	. . Nut, 2BA	3	-	LB1/16
SP16C	. . Washer	3	-	LB1/17

AILERON

Part Number	Description						No. Off	Matl. Spec.	Plate No.
	1	2	3	4	5	6			
EA9.24.101	. .	SPAR, INBOARD, ASSEMBLY, PORT					1	-	
		(PRE-MOD 5100)							
EA9.24.169	. .	SPAR, INBOARD, ASSEMBLY, PORT					1	-	
		(ALT. R60/96 MOD 5100)							
EA9.24.102	. .	SPAR, INBOARD, ASSEMBLY, STARBOARD					1	-	
		(PRE-MOD 5100)							
EA9.24.170	. .	SPAR, INBOARD, ASSEMBLY, STARBOARD					1	-	
		(ALT. R60/96 MOD 5100)							
		Spares for :-							
EA9.24.103	. . .	BRACKET, inboard hinge port (Pre-Mod 5100)					1	-	
EA9.24.163	. . .	BRACKET, inboard hinge, port					1	L92	
		(Alt. R60/96 Mod 5100)							
EA9.24.104	. . .	BRACKET, inboard hinge starboard (Pre-Mod 5100)					1	-	
EA9.24.164	. . .	BRACKET, inboard hinge, starboard					1	-	
		(Alt. R60/96 Mod 5100)							
EA1.24.737	. .	SPAR, OUTBOARD ASSEMBLY, PORT					1	-	
		(PRE-MOD 5100)							
EA3.24.223	. .	SPAR, OUTBOARD ASSEMBLY, PORT					1	-	
		(ALT. R60/96 MOD 5100)							
EA1.24.738	. .	SPAR, OUTBOARD ASSEMBLY, STARBOARD					1	-	
		(PRE-MOD 5100)							
EA3.24.224	. .	SPAR, OUTBOARD ASSEMBLY, STARBOARD					1	-	
		(ALT. R60/96 MOD 5100)							
		Spares for :-							
EA1.24.193	. . .	HOUSING, outer bearing (Pre-Mod 5100)					1	-	
EA3.24.213	. . .	HOUSING, outer bearing					1	-	
		(Alt. R60/96 Mod 5100)							
EA1.24.915	. .	TAB, fixed, port					1	-	LB1/18
EA1.24.916	. .	TAB, fixed, starboard					1	-	LB1/48
R EA3.24.177	. .	ATTACHMENT OF BEARING AT OUTBOARD					-	-	LB1/19
		HINGE, R1B 20							
		Consisting of :-							
R SKEFKO	. .	BEARING, ballrace					1	-	LB1/20
CBA3	. .	CIRCLIP, 1-7-16" i/d					1	-	LB1/21
AGS2030/45									
EA3.24.183	. .	ATTACHMENT OF TOP AND BOTTOM NOSE SKIN					-	-	LB1/22
		TO AILERON SPAR, PORT							
EA3.24.184	. .	ATTACHMENT OF TOP AND BOTTOM NOSE SKIN					-	-	LB1/49
		TO AILERON SPAR, STARBOARD							
		Spares for :-							
EA1.24.405	. .	COVER, inspection tab gear, 20 SWG					1	L72	LB1/23
		Attaching parts for EA1.24.405 :-							
EA3.24.191	. .	Bolt, 2BA					6	S95	LB1/24
EA1.24.271	. .	STOP, rubber, aileron control					2	SHORE55	LB1/25
EB7.82.5663	. .	DISCHARGER, STATIC, INSTALLATION, PORT					-	-	LB1/53
		(MOD 5119)							
EB7.82.5664	. .	DISCHARGER, STATIC, INSTALLATION, STARBOARD					-	-	LB1/54
		(MOD 5119)							
		Spares for :-							
TYPE 2-23	. .	BASE, mounting, type 2-23					2	-	LB1/55
TYPE 2-11	. .	DISCHARGER, static, type 2-11					2	-	LB1/56

AP101B-0415-3A

Page LB.3

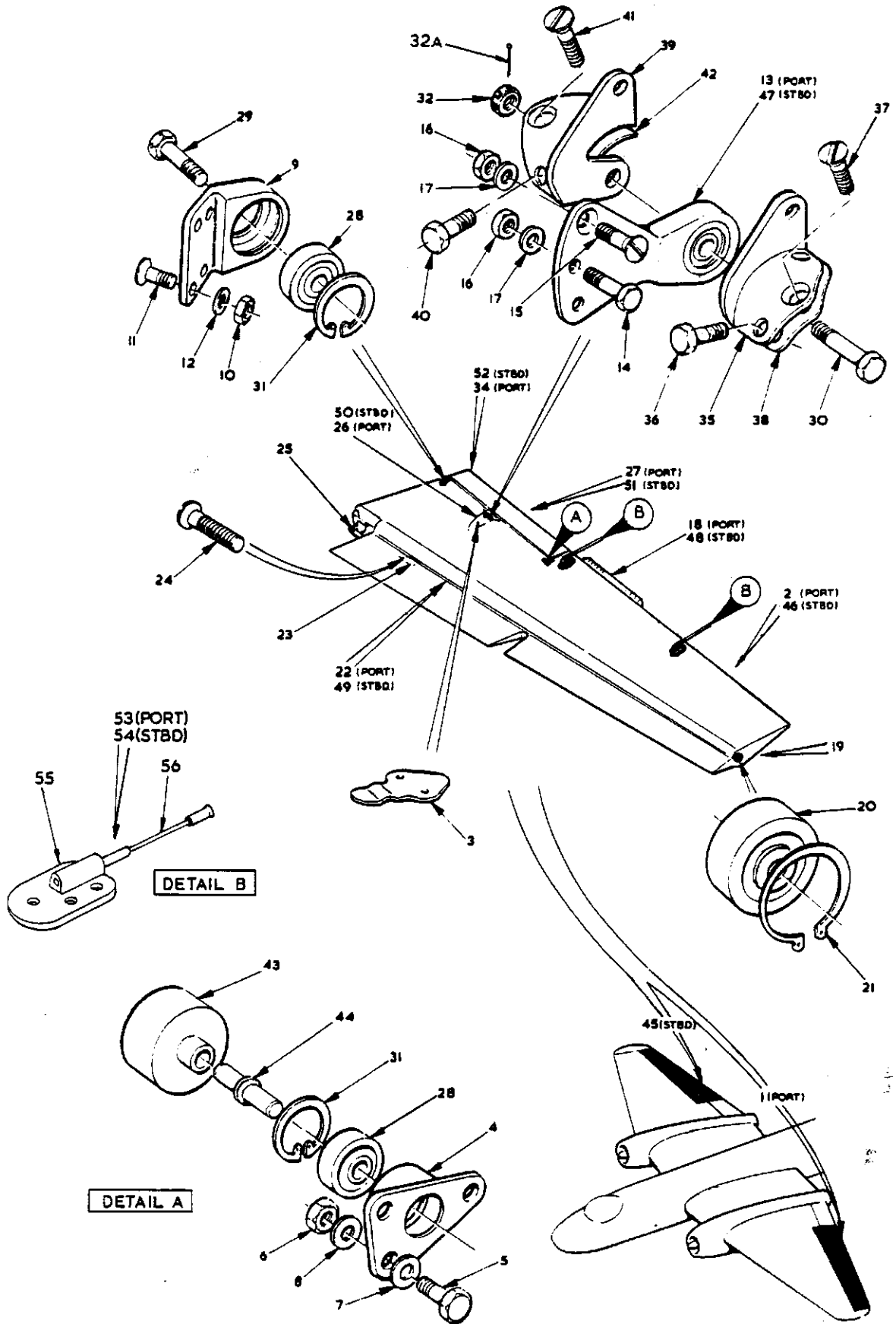
MAINPLANE

AILERON

Part Number	Description	No. Off	Matl. Spec.	Plate No.
EA1.24.269	. FAIRLING, aileron tab, push rod, port	1	L59	LB1/26
EA1.24.270	. FAIRLING, aileron tab, push rod, starboard	1	L59	LB1/50
EA3.24.175	. TAB, AILERON, INSTALLATION, PORT	-	-	LB1/27
EA3.24.176	. TAB, AILERON, INSTALLATION, STARBOARD	-	-	LB1/51
	Consisting of:-			
SKEFKO				
CBAO	. . BEARING, ballrace	2	-	LB1/28
AGS2030/15	. . CIRCLIP, 20 mm i/d	2	-	LB1/31
EA3.00.5425	. . TAB, AILERON, ASSEMBLY, PORT (Spares for EA1.24.923) (PRE-MOD 5347)	1	-	
EA3.00.5781	. . TAB, AILERON, ASSEMBLY, PORT (Spares for EA1.24.923) (MOD 5347)	1	-	LB1/34
EA3.00.5426	. . TAB, AILERON, ASSEMBLY, STARBOARD (Spares for EA1.24.924) (PRE-MOD 5347)	1	-	
EA3.00.5782	. . TAB, AILERON, ASSEMBLY, STARBOARD (Spares for EA1.24.924) (MOD 5347)	1	-	LB1/52
	Spares for:-			
EA1.24.251	. . . LUG, half, centre hinge	1	DTD683	LB1/35
EA1.24.252	. . . LUG, half, centre hinge	1	DTD683	LB1/39
	Attaching parts for EA1.24.251 or EA1.24.252:-			
A25/1C	. . . Bolt, 2BA	2	-	LB1/40
AS1242/1C	. . . Bolt, 2BA	1	-	LB1/41
EA1.24.955	. . . Shim (if required - max thick, 0."022)	QR	LAM-ALUM	LB1/38
EA1.24.956	. . . Shim (if required - max thick, 0."022)	QR	LAM-ALUM	LB1/42
EA1.24.227	. . . SOCKET hinge, inboard and outboard	2	L65	LB1/43
EA1.24.229	. . . SPINDLE, hinge, outboard	1	S96	LB1/44
	Attaching parts for EA1.24.923 and EA1.24.924:-			
EA1.24.231	. . Bolt hinge inboard	1	S96	LB1/29
EA1.24.263	. . Bolt hinge centre	1	S97	LB1/30
A27CS	. . Nut, 2BA	1	-	LB1/32
SP90C5	. . Pin, split 1-16"	1	-	LB1/32A
EA9.24.21	. TUBE, TORQUE AND TAB OPERATING GEAR ASSEMBLY, PORT (PRE-MOD 5100)	-	-	LB2/1
EA9.24.137	. TUBE, TORQUE AND TAB OPERATING GEAR, PORT, ASSEMBLY (ALT. R60/14 MOD 5100)	-	-	
EA9.24.22	. TUBE, TORQUE AND TAB OPERATING GEAR ASSEMBLY, STARBOARD (PRE-MOD 5100)	-	-	LB2/2
EA9.24.138	. TUBE, TORQUE AND TAB OPERATING GEAR STARBOARD ASSEMBLY (ALT. R60/14 MOD 5100)	-	-	
	Spares for:-			
HOFFMANT17	. . BEARING, 1-1-16" i/d, tab torque lever	1	-	LB2/3
HOFFMANBAL5-8"	. . BEARING, ballrace	1	-	LB2/4
EA9.24.53	. . BRACKET, operating gear bearing	1	L65 or DTD683	
	Attaching parts for EA9.24.53:-			
A25/5E	. . Bolt, 1-4" BSF	2	-	LB2/6
SP15E	. . Washer	2	-	LB2/7

MAINPLANE
AILERON

Part Number	Description	No. Off	Matl. Spec.	Plate No.
EA1.24.301	. . . BUSH, aileron control stop (Pre-Mod 5100)	1	DTD625	LB2/8
EA3.24.215	. . . BUSH, aileron control stop (Alt. R60/96 Mod 5100)	1	BS2874	
AGS2030/26	. . . CIRCLIP, 1 9-16" i/d	1	-	LB2/9
AGS2031/22	. . . CIRCLIP, 1 1-16" o/d	1	-	LB2/10
EA1.24.243	. . . LEVER, operating, tab, torque tube	1	L65	LB2/11
	Attaching parts for EA1.24.243 :-			
A25/10C	. . . Bolt 2BA	1	-	LB2/12
A27CS	. . . Nut, 2BA	1	-	LB2/13
SP90C7	. . . Pin, split 1-16"	1	-	LB2/14
EA1.24.245	. . . Washer, saddle	2	L65	LB2/15
EA9.24.51	. . . ROD, TAB CONTROL, OPERATING GEAR ASSEMBLY, PORT	1	-	LB2/16
EA9.24.52	. . . ROD, TAB CONTROL, OPERATING GEAR ASSEMBLY, STARBOARD Consisting of :-	1	-	LB2/17
RANSOME & MARLES				
CA1-5-16"	. . . BEARING, ballrace	1	-	LB2/18
EA9.24.57	. . . BLOCK, anchor, blow back rod, port	1	-	LB2/35
EA9.24.58	. . . BLOCK, anchor, blow back rod, starboard	1	-	LB2/36
EA9.24.61	. . . BOLT, special, torque tube to blow back rod attachment	6	S95 or S96	LB2/37
EA9.24.63	. . . BOLT, special, blow back rod to bracket attachment	6	S95 or S96	LB2/39
EA9.24.69	. . . ROD, blow-back, port (Pre-Mod 1915)	1	-	
EA9.24.161	. . . ROD, blow-back, port (Mod 1915)	1	-	LB2/19
EA9.24.60	. . . ROD, blow-back, starboard (Pre-Mod 1915)	1	-	
EA9.24.162	. . . ROD, blow-back, starboard (Mod 1915)	1	-	LB2/40
EA9.24.55	. . . TUBE, torque, complete, port	1	-	LB2/20
EA9.24.56	. . . TUBE, torque, complete, starboard	1	-	LB2/21
SP13C	. . . WASHER, 2BA	12	-	LB2/38
	Attaching parts for EA9.24.51 & EA9.24.52 :-			
A25/5E	. . . Bolt, 1-4" BSF	2	-	LB2/22
SP13E	. . . Washer, 1-4"	2	-	LB2/23
EA1.45.987	. . . Washer shim for i/b attachment brkt. (AS4788)	2	-	LB2/24
EA1.24.917	. . . ROD TAB OPERATING (PRE-MOD 4930)	1	-	LB2/25
EA3.24.209	. . . ROD TAB OPERATING (MOD 4930) (PRE-MOD 5100)	1	-	
EK5.24.601	. . . ROD TAB OPERATING (ALT. R60/14 MOD 5100) (PRE-MOD 5473)	1	-	
EA3.24.229	. . . ROD, push assembly (MOD 5473) Spares for:-	1	-	
EA1.24.899	. . . NUT, special, lock	1	S95	LB2/26
HOFFMAN CM2B	. . . ROD, end, ball bearing	1	-	LB2/27
EA1.24.919	. . . SOCKET, tab push rod, c/w bearing No. 402259B, Ref. 452 (Pre-Mod 5100)	1	DTD683	LB2/28
EK5.24.603	. . . SOCKET, tab push rod (Alt. R60/14 Mod 5100)	1	-	
	Attaching parts for EA1.24.917 or EA3.24.209 or EK5.24.601:-			
EA1.24.263	. . . Bolt, special, tab connection	1	S97	LB2/29
EA1.24.267	. . . Bolt, special, lever operating	1	S97	LB2/30
A27CS	. . . Nut, 2BA	2	-	LB2/31
SP90C7	. . . Pin, split 1-16"	2	-	LB2/32
EA1.24.391	. . . Tube, distance	2	-	LB2/33
SP15C	. . . Washer	1	-	LB2/34



CODE TZ

FIG. 1 AILERON PORT AND STARBOARD

SECT. LB

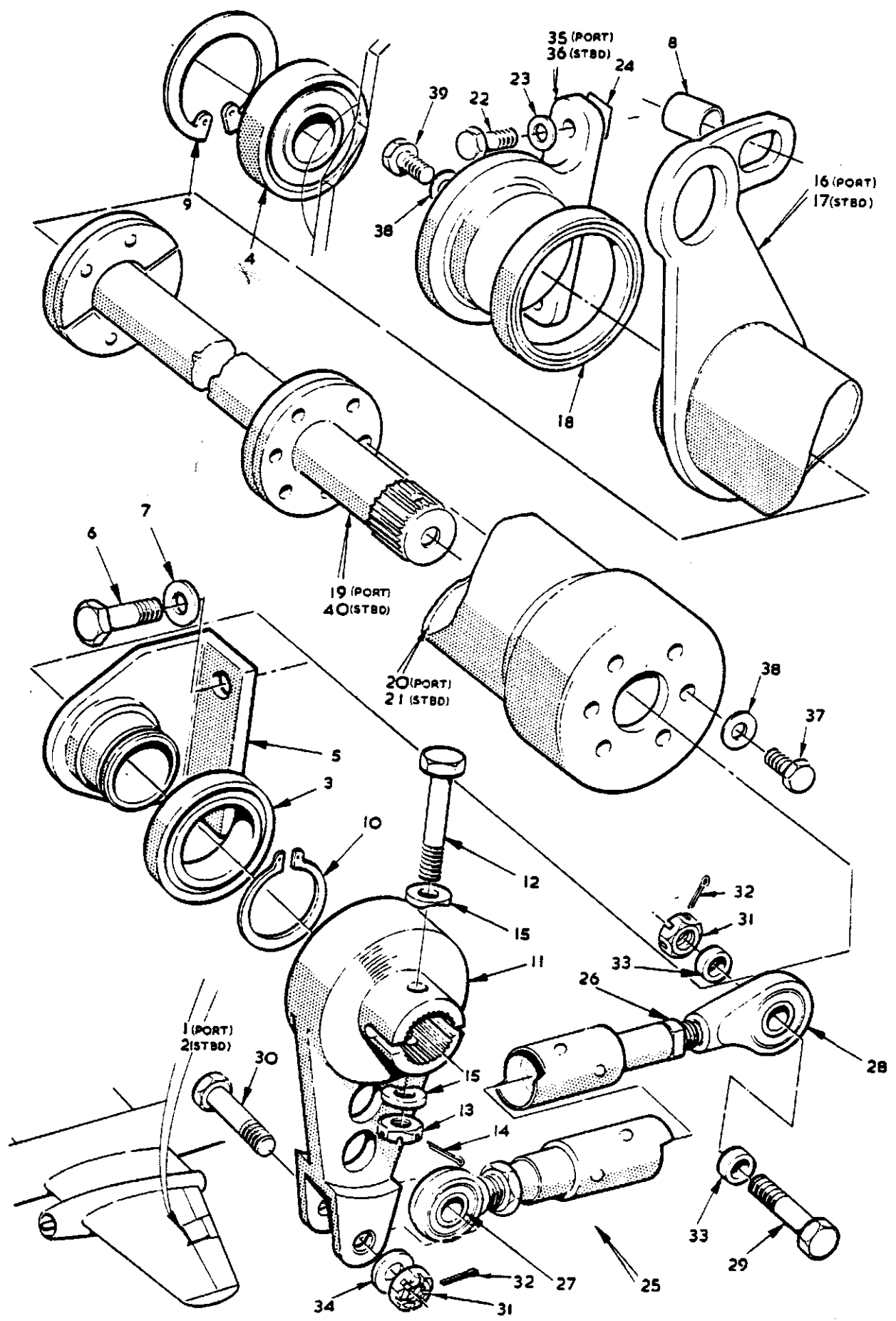


FIG2 AILERON, PORT AND STARBOARD

This file was downloaded
from the RTFM Library.

Link: www.scottbouch.com/rtfm

Please see site for usage terms,
and more aircraft documents.

