

AP101B-0415-3A

MAINPLANE

Page LD.1

WING TIP

Part Number	Description	No. Off	Mati. Spec.	Plate No.
R EA3.00.5174	WING TIP, PORT, ASSEMBLY (Spares condition) (Ref. Drg. EA1.00.67) (Pre-Mod 5119)	1	-	LD1/1
R EB7.00.5207	WING TIP, PORT, ASSEMBLY (Mod 5119)	1	-	
R EA3.00.5175	WING TIP, STARBOARD, ASSEMBLY (Spares condition) (Ref. Drg. EA1.00.68) (Pre-Mod 5119)	1	-	LD1/2
R EB7.00.5208	WING TIP, STARBOARD, ASSEMBLY (Mod 5119)	1	-	
R EB7.82.5661	. . . INSTALLATION OF STATIC DISCHARGERS PORT (Mod 5119)	-	-	
R EB7.82.5662	. . . INSTALLATION OF STATIC DISCHARGERS STARBOARD (Mod 5119)	-	-	
R EB7.82.5671	. . . BASE, mounting	1	-	LD1/30
R CHELTON Type 2-23	. . . BASE, mounting	2	-	LD1/31
R CHELTON Type 2-11	. . . DISCHARGER, static, straight	1	-	LD1/32
R CHELTON Type 2-12	. . . DISCHARGER, static, angled	2	-	LD1/33
EA1.20.1953	. . . STRUCTURE, WING TIP, PORT, ASSEMBLY	-	-	LD1/3
EA1.20.1954	. . . STRUCTURE, WING TIP, STARBOARD, ASSEMBLY	-	-	LD1/4
EA3.20.2443	. . . PLATE, blanking, explosive bolt hole	1	DTD683	LD1/5
EA1.20.2471	. . . PLATE, locking, explosive bolt hole	1	L72	LD1/6
A33C24	. . . Attaching parts for EA3.20.2443 & EA1.20.2471 :- Screw, 2BA	1	-	LD1/7
EA3.00.5168	. . . WING TIP, CENTRE, PORT, ASSEMBLY (Spares condition) (Ref. Drg. EA3.20.1023)	1	-	LD1/8
EA3.00.5169	. . . WING TIP, CENTRE, STARBOARD, ASSEMBLY (Spares condition) (Ref. EA3.20.1024)	1	-	LD1/9
EA3.20.1061 PANEL, access, explosive bolt	1	-	LD1/10
EA1.20.2399 PANEL, removable, fuel and air pipe access, port	1	-	LD1/11
EA1.20.2400 PANEL, removable, fuel and air pipe access, starboard	1	-	LD1/12
EA1.20.2395 PANEL, top, access, port	1	-	LD1/13
EA1.20.2396 PANEL, top, access, starboard	1	-	LD1/14
EEAS1/1C Attaching parts for EA1.20.2395 & EA1.20.2396 :- Screw, 2BA	8	S96	LD1/15
EEAS1/1C Attaching parts for EA3.00.5168 & EA3.00.5169 :- Screw, 2BA	10	S96	LD1/16
EA3.00.5170	. . . WING TIP, FORWARD, PORT, ASSEMBLY (Spares condition) (Ref. Drg. EA1.20.2433)	1	-	LD1/17
EA3.00.5171	. . . WING TIP, FORWARD, STARBOARD, ASSEMBLY (Spares condition) (Ref. Drg. EA1.20.2434)	1	-	LD1/18
EA1.20.9151 COVER, navigation light	1	DTD846	LD1/19
EA3.20.3192 PANEL, access, navigation light, port, upper	1	-	LD1/20
R or EA3.20.3197 DOOR, access, navigation light, port, upper	1	-	
R or EA3.20.3191 PANEL, access, navigation light, starboard, upper	1	-	LD1/21
R or EA3.20.3198 DOOR, access, navigation light, starboard, upper	1	-	
R EA3.20.5069 PANEL, access, navigation light, port, lower (Mod 4152)	1	-	LD1/25
R EA3.20.5070 PANEL, access, navigation light, starboard lower, (Mod 4152)	1	-	LD1/26
R EA3.20.5073 PIECE, packing (Mod 4152)	1	-	LD1/27
R EA3.20.5071 STRIP, backing (Mod 4152)	1	-	LD1/28
R EA3.20.5072 STRIP, backing (Mod 4152)	1	-	LD1/29
EA3.00.5172	. . . WING TIP, rear, port, assembly (Spares condition) (Ref. Drg. EA1.20.1955)	1	-	LD1/22
EA3.00.5173	. . . WING TIP, rear, starboard, assembly (Spares condition) (Ref. Drg. EA1.20.1956)	1	-	LD1/23
EEAS1/2C Attaching parts for EA3.00.5174 and EA3.00.5175 :- Screw, 2BA	92	S96	LD1/24

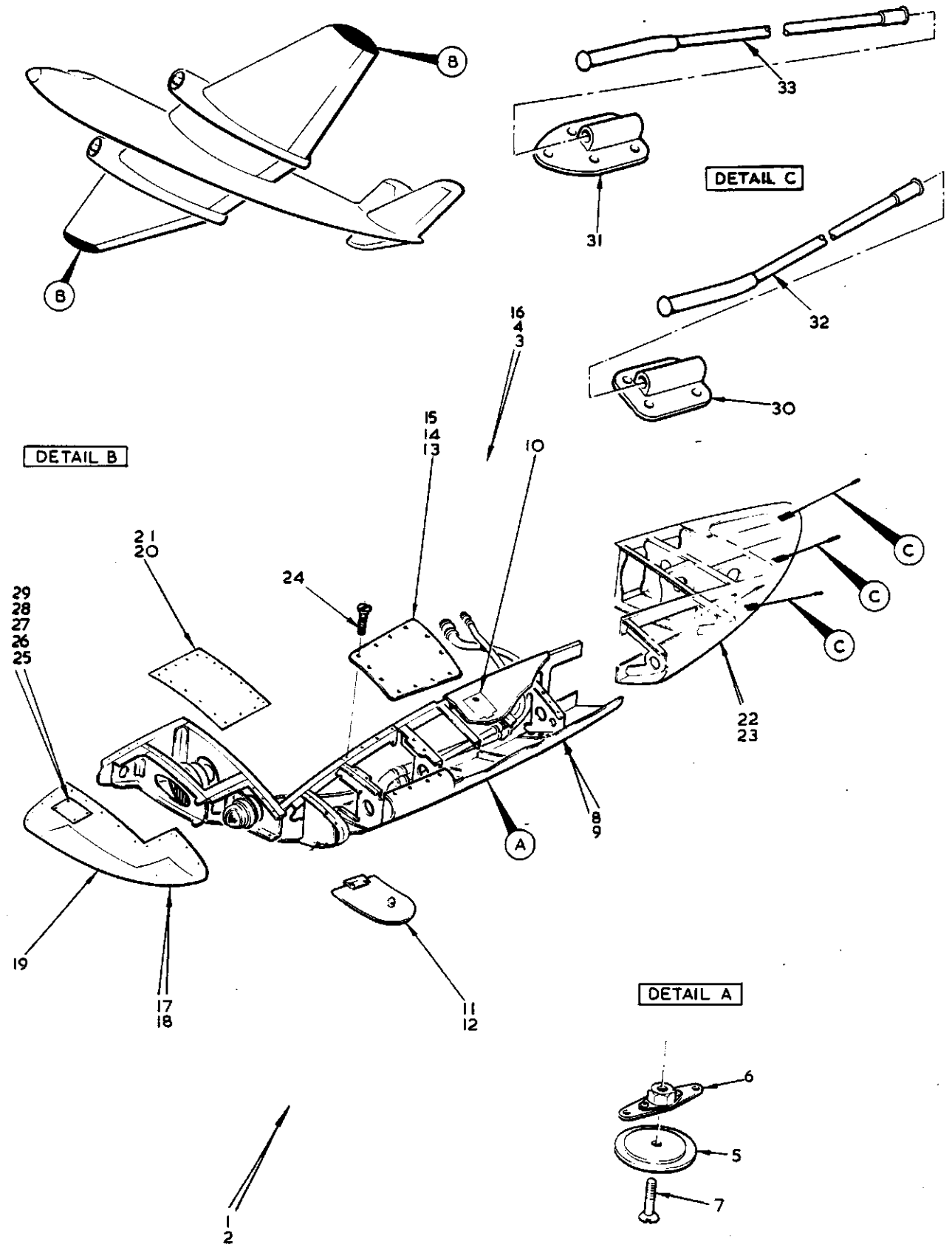


FIG.1 WING TIP PORT AND STARBOARD

This file was downloaded
from the RTFM Library.

Link: www.scottbouch.com/rtfm

Please see site for usage terms,
and more aircraft documents.

