

MAINPLANE
WING STRUCTURE

Part Number	Description	No. Off	Mati. Spec.	Plate No.
EG4.20.701	WING STRUCTURE, PORT ASSEMBLY	-	-	
EG4.20.702	WING STRUCTURE, STARBOARD ASSEMBLY	-	-	
	Spares for:-			
EA1.20.1329	. ANGLE, attachment, rear cowl firewall, port	1	-	LE3/1
EA1.20.1330	. ANGLE, attachment, rear cowl firewall, starboard	1	-	LE3/2
	Attaching parts for EA1.20.1329 and EA1.20.1330:-			
A25/2C	. Bolt, 2BA	2	-	LE3/3
AS1242/2C	. Bolt, 2BA	2	-	LE3/4
EA1.20.1669	. Stud	2	-	LE3/5
A27CT	. Nut	2	-	LE3/5A
EA1.20.145	. Tube, distance	2	-	LE3/6
SP15C	. Washer	2	-	LE3/5B
EK5.20.675	. BALL-JOINT, UNDERCARRIAGE SIDE STAY ATTACHMENT, PORT ASSEMBLY (ALT. R60/5-MOD 5100) (PRE-MOD 5347)	1	-	
EA3.00.5715	. BALLJOINT, U/C SIDE STAY ATTACHMENT PORT (Spares for EK5.80.675) (Mod 5347)	1	-	LE8/1
EK5.20.676	. BALL-JOINT, UNDERCARRIAGE SIDE STAY ATTACHMENT, STARBOARD ASSEMBLY (ALT. R60/5-MOD 5100) (PRE-MOD 5347)	1	-	
EA3.00.5716	. BALL-JOINT, U/C SIDE STAY ATTACHMENT STARBOARD (Spares for EK5.20.676) (Mod 5347)	1	-	LE8/2
EA1.20.1229	. . BEARING, BALL SPHERICAL SEATED ASSEMBLY	1	-	LE8/3
	Spares for:-			
EA1.20.1231	. . . BUSH, bearing	2	DTD412	LE8/4
EA1.20.1233	. . . BOLT, special, retaining ring attachment	8	S11	LE8/5
EA1.20.335	. . . BRACKET, attachment, port (Pre-Mod 5100)	1	DTD683	LE8/6
EK5.20.639	. . . BRACKET, attachment, port (Alt. R60/5-Mod 5100)	1	-	
EA1.20.336	. . . BRACKET, attachment, starboard (Pre-Mod 5100)	1	DTD683	LE8/7
EK5.20.640	. . . BRACKET, attachment, starboard (Alt. R60/5-Mod 5100)	1	-	
EA3.00.241	. . . BUSH, bearing (EA1.20.1215 and EA1.20.1217 wired together), port	1	DTD412	LE8/8
EA3.00.243	. . . BUSH, bearing (EA1.20.1216 and EA1.20.1218 wired together), starboard	1	DTD412	LE8/9
EA1.20.1225	. . . DOWEL, special ball bearing locating	2	S11	LE8/10
EA1.20.1235	. . . DOWEL, special, retaining ring locating	1	S11	LE8/11
SP21	. . . NIPPLE, lubricating	1	-	LE8/11A

MAINPLANE
WING STRUCTURE

Part Number	Description	No. Off	Mtl. Spec.	Plate No.
EA1.20.1219	. . RING, retaining, bottom	1	DTD124	LE8/12
EA1.20.1221	. . RING, retaining, top, port	1	DTD124	LE8/13
EA1.20.1222	. . RING, retaining, top, starboard	1	DTD124	LE8/14
	Attaching parts for EA3.00.5715 and EA3.00.5716:-			
A25/11P	. Bolt, 9/16" BSF (Pre-Mod 5100)	2	-	LE8/15
A25/10P	. Bolt (Alt R60/5-Mod 5100)	2	-	
EB7.20.79	. Bolt, shear	9	S97	LE8/16
EB7.20.81	. Bolt, shear	6	S97	LE8/17
EB7.20.85	. Bolt, shear	4	S97	LE8/18
A25JP	. Nut, 3/8" BSF	4	-	LE8/19
A25JT	. Nut, 3/8" BSF, thin	15	-	LE8/20
A27PP	. Nut, 9/16" BSF	2	-	LE8/21
SP15J	. Washer (Pre-Mod 5100)	9	-	LE8/16A
SP125J	. Washer (Alt R60/5-Mod 5100)	9	-	
SP15P	. Washer (Pre-Mod 5100)	2	-	LE8/15A
SP124P	. Washer (Alt R60/5-Mod 5100)	2	-	
SP16J	. Washer (Pre-Mod 5100)	10	-	LE8/17A
SP125J	. Washer (Alt R60/5-Mod 5100)	10	-	
EA1.20.947	. BOLT, special u/c attachment bracket	1	S65	LE8/22
EA1.20.949	. BOLT, special u/c attachment bracket bottom	2	S65	LE8/23
EA1.20.973	. BOLT, special u/c bracket aft of rib 6 attachment to main spar	2	S65	LE8/24
EA1.20.1017	. BOLT, special u/c attachment bracket	4	S65	LE8/25
EA1.20.2297	. BOLT, special u/c bracket and aft of rib 6 attachment to main spar	2	S65	LE8/26
EA3.20.189	. BOLT, special undercarriage attachment bracket top	2	S97	LE8/27
EA3.20.1517	. BOLT, special shear u/c bracket	6	S97	LE8/28
EA3.20.3407	. BOLT, special engine cowl attachment to engine ring	22	S11 or S105	LE8/29
EA1.20.531	. BRACKET, u/c jack attachment, port	1	-	LE8/30
EA1.20.532	. BRACKET, u/c jack attachment, starboard	1	-	LE8/31
	Attaching parts for EA1.20.531 and EA1.20.532 :-			
A25/6G	. Bolt, 5/16" BSF	6	-	LE8/32
A25/8G	. Bolt, 5/16" BSF	3	-	LE8/33
A25/9G	. Bolt, 5/16" BSF	4	-	LE8/34
AGS2001G1	. Nut, 5/16" BSF	6	-	LE8/35
AGS2002G1	. Nut, 5/16" BSF, thin	7	-	LE8/36
SP15G	. Washer	4	-	LE8/34A
SP16G	. Washer	9	-	LE8/32A
EA1.20.2983	. BRACKET, u/c attachment stub, port	1	-	LE8/37
EA1.20.2984	. BRACKET, u/c attachment stub, starboard	1	-	LE8/38
	Attaching parts for EA1.20.2983 and EA1.20.2984 :-			
A25/8E	. Bolt, 1/2" BSF	4	-	LE8/39
A25/10J	. Bolt, 3/8" BSF	2	-	LE8/40
A27EP	. Nut, 1/2" BSF	4	-	LE8/41
A27JP	. Nut, 3/8" BSF	2	-	LE8/42
EA1.20.2987	. Pin, special	1	-	LE8/42A
SP31L14	. Pin, split taper	1	-	LE8/42B
SP15E	. Washer	4	-	LE8/39A
SP16J	. Washer	2	-	LE8/40A

WING STRUCTURE

Ref. No.	Part No.	Description	No. off	Matl. Spec.	Cl. of Equip M.R. L.M.	Plate No.
9639	EA3.20.2497	. BRACKET, SHOOT BOLT, REAR ASSEMBLY PORT	1	—	C	LE8/43
9640	EA3.20.2498	. BRACKET, SHOOT BOLT, REAR ASSEMBLY STARBOARD	1	—	C	LE8/44
		Spares for:—				
6105	EA3.20.2275	. . PAD, port	1	—	C	LE8/45
6106	EA3.20.2276	. . PAD, starboard	1	—	C	LE8/46
		Attaching parts for EA3.20.2275 and EA3.20.2276:—				
28M/1012015	AGS2001C1/66	. . Nut, 2BA	3	—	C	LE8/47
1468	EEAS1/2C	. . Screw, 2BA	3	S96	C	LE8/48
28W/9419402	SP13C	. . Washer	3	—	C	LE8/48A
		Attaching parts for EA3.20.2497 and EA3.20.2498:—				
28D/1200119	A25/4C	. Bolt, 2BA	2	—	C	LE8/49
28M/9403520	A27CP	. Nut, 2BA	2	—	C	LE8/50
9548	EA1.20.2223	. Plate, washer	2	—	C	LE8/51
20906	EA3.20.3027	. COWLING REMOVABLE, END OF JET PIPE, PORT ASSEMBLY	1	—	B/MR	LE3/7
20907	EA3.20.3028	. COWLING REMOVABLE, END OF JET PIPE, STARBOARD ASSEMBLY	1	—	B/MR	LE3/8
		Spares for:—				
34792	EA3.20.5079	. . CONE, jet end	1	—	C	LE3/9
		Attaching parts for EA3.20.5079:—				
28D/1007982	AS1248/1C	. . Bolt, 2BA	18	—	C	LE3/10
		Attaching parts for EA3.20.3027 and EA3.20.3028:—				
	EA3.20.3413	. GENERATOR, VORTEX, PORT ASSEMBLY	—	—	—	
	EA3.20.3414	. GENERATOR, VORTEX, STARBOARD ASSEMBLY	—	—	—	
		Spares for:—				
26671	EA3.20.3411	. . GENERATOR, vortex	2	L72	C	LE5/1
565	EA1.51.1	. MOUNTING, ENGINE AND ATTACHMENTS, PORT (SEE CHAPTER PC)	—	—	—	
	EA1.51.2	. MOUNTING, ENGINE AND ATTACHMENTS, STARBOARD (SEE CHAPTER PD)	—	—	—	
565	EA1.20.1157	. MOUNTING, JET PIPE, ASSEMBLY	2	—	C	LE3/11
		Spares for:—				
	EA1.20.1135	. . BLOCK	1	—	—	LE3/12
22243	EA1.20.1133	. . BOLT, eccentric	1	—	C	LE3/13
1438941	EA1.20.1137	. . NUT	1	—	C	LE3/14
42431	EA1.20.1139	. . WASHER, locking	1	—	C	LE3/15
		Attaching parts for EA1.20.1157:—				
28D/1212594	A25/33E	. Bolt, 1/4" BSF	2	—	C	LE3/16
28M/7002430	AGS2002E1	. Nut, 1/4" BSF	2	—	C	LE3/17
28W/9419405	SP15E	. Washer	2	—	C	LE3/17A
2983	EA1.20.263	. NACELLE, ENGINE, LOWER, AFT PORT ASSEMBLY	1	—	A	LE3/18
3028	EA1.20.264	. NACELLE, ENGINE, LOWER, AFT STARBOARD ASSEMBLY	1	—	A	LE3/19
3027	EA1.20.261	. NACELLE, ENGINE, UPPER AFT	1	—	A	LE3/20

MAINPLANE
WING STRUCTURE

Ref. No.	Part No.	Description	1 2 3 4 5 6						No. off	Matl. Spec.	Cl. of Equip M.R. L.M.	Plate No.
5162	EA3.20.1809	. NUT, special u/c bracket bottom bolt						2	S80	C	LE5/2	
5163	EA3.20.1811	. NUT, special u/c bracket bottom bolt						—	—	—	LE5/3	
	EC2.20.1337	. PANEL, ACCESS AT LOWER MAIN SPAR AND ENGINE NACELLE COWLING INSTALLATION, PORT (N.H.A. EA3.20.5117) (MOD 5112)						—	—	—		
	EC2.20.1338	. PANEL, ACCESS AT LOWER MAIN SPAR AND ENGINE NACELLE COWLING INSTALLATION, STARBOARD (N.H.A. EA3.00.5118) (MOD 5112) Spares for:—						—	—	—		
	EC2.20.1357	. . PANEL, access, port						1	L73	LM		
	EC2.20.1358	. . PANEL, access, starboard Attaching parts for EC2.20.1357 and EC2.20.1358:—						1	L73	LM		
1468	EEAS1/2C	. . Screw, 2BA						3	S96	C		
1028	EEAS1/3C	. . Screw, 2BA						1	S86	C		
	EC2.20.1335	. PANEL, ACCESS AT UPPER MAIN SPAR AND ENGINE NACELLE COWLING INSTALLATION, PORT (N.H.A. EA3.20.5117) (MOD 5112)						—	—	—		
	EC2.20.1336	. PANEL, ACCESS AT UPPER MAIN SPAR AND ENGINE NACELLE COWLING INSTALLATION (N.H.A. EA3.20.5118) (MOD 5112) Spares for:—						—	—	—		
	EC2.20.1341	. . PANEL, access						1	L73	LM		
	EC2.20.1342	. . PANEL, access Attaching parts for EC2.20.1341 and EC2.20.1342:—						1	L73	LM		
1468	EEAS1/2C	. . Screw, 2BA						9	S96	C		
1433	EA3.20.355	. PANEL, closing, bottom skin, between ribs 1 and 7 inner wing, port						1	—	C	LE5/4	
1434	EA3.20.356	. PANEL, closing, bottom skin, between ribs 1 and 7 inner wing, starboard						1	—	C	LE5/5	
577	EA1.20.2233	. PANEL, closing, bottom skin, between ribs 1 and 3, outer wing, port						—	—	—	LE5/6	
578	EA1.20.2234	. PANEL, closing, bottom skin, between ribs 1 and 3, outer wing, starboard						1	—	C	LE5/7	
38973	EB6.20.1295	. PANEL, closing, bottom skin, between ribs 2 and 4 outer wing, port (EB6.20.1229)						1	—	—	LE5/8	
38974	EB6.20.1296	. PANEL, closing, bottom skin, between ribs 2 and 4 outer wing, starboard (EB6.20.1230)						1	—	—	LE5/9	
4535	EA3.20.1799	. PANEL, closing, bottom skin, between ribs 4 and 8, outer wing, port						1	—	C	LE5/10	
4534	EA3.20.1800	. PANEL, closing, bottom skin, between ribs 4 and 8, outer wing, starboard						1	—	C	LE5/11	

MAINPLANE
WING STRUCTURE

Part Number	Description	No. Off	Matl. Spec.	Plate No.
R EA3.20.4311	. PANELS, CLOSING, INNER WING TRAILING EDGE, INSTALLATION, PORT	-	-	
R EA3.20.4312	. PANELS, CLOSING, INNER WING TRAILING EDGE, INSTALLATION, STARBOARD	-	-	
R EA3.20.4485	. . PANEL, closing, bottom skin, ribs 2 to 6 port Spares for :-	1	-	
R EA3.20.685	. . . DOOR, access	1	-	
R EA3.20.4486	. . PANEL, closing, bottom skin, ribs 2 to 6 starboard Spares for :-	1	-	
R EA3.20.685	. . . DOOR, access	1	-	
R EA3.20.4487	. . PANEL, closing, bottom skin, ribs 6 to 7 port	1	-	
R EA3.20.4488	. . PANEL, closing, bottom skin, ribs 6 to 7 starboard	1	-	
R EG4.20.901	. PANELS, CLOSING, OUTER WING TRAILING EDGE, INSTALLATION, PORT	-	-	
R EG4.20.902	. PANELS, CLOSING, OUTER WING TRAILING EDGE, INSTALLATION, STARBOARD Spares for :-	-	-	
R EG4.20.903	. . PANEL, closing, ribs 4 to 5 port	1	-	
R EG4.20.904	. . PANEL, closing, ribs 4 to 5 starboard	1	-	
R EA3.20.4559	. . PANEL, closing, ribs 6 to 7 port	1	-	
R EA3.20.4560	. . PANEL, closing, ribs 6 to 7 starboard	1	-	
R EA3.20.4561	. . PANEL, closing, ribs 7 to 8 port	1	-	
R EA3.20.4562	. . PANEL, closing, ribs 7 to 8 starboard	1	-	
R EG4.20.1143	. . PANEL, skin, ribs 5 to 6 port	1	L73. 18SWG	
R EG4.20.1144	. . PANEL, skin, ribs 5 to 6 starboard	1	L73. 18SWG	

MAINPLANE
WING STRUCTURE

Part Number	Description 1 2 3 4 5 6	No. Off	Matl. Spec.	Plate No.

MAINPLANE
WING STRUCTURE

Part Number	Description	No. Off	Matl. Spec.	Plate No.
EA3.20.4041	. REPAIR OF INNER AND OUTER ENGINE RIBS, PORT (MOD 4960)	-	-	
EA3.20.4042	. REPAIR OF INNER AND OUTER ENGINE RIBS, STARBOARD (MOD 4960)	-	-	
EA3.20.4031	. . REPAIR TO OUTBOARD L/E ENGINE RIB No. 1 PORT	-	-	
EA3.20.4032	. . REPAIR TO OUTBOARD L/E ENGINE RIB No. 1 STARBOARD	-	-	
	Spares for :-			
R EA3.20.4021	. . . CLEAT, lower, port	1	-	LE9/1
R EA3.20.4022	. . . CLEAT, lower, starboard	1	-	LE9/2
	Attaching parts for EA3.20.4021 and EA3.20.4022 :-			
EA3.20.4053	. . . Bolt, special	5	-	LE9/3
A27LT	. . . Nut, thin	5	-	LE9/4
EA3.20.4055	. . . Washer, special	5	-	LE9/5
SP125L	. . . Washer	5	-	LE9/6
R EA3.20.4023	. . . CLEAT, upper (Pre-Mod 5112)	1	-	LE9/7
R EA3.20.5217	. . . CLEAT, upper, port (Mod 5112)	1	-	
R EA3.20.5218	. . . CLEAT, upper, starboard (Mod 5112)	1	-	
	Attaching parts for EA3.20.4023, EA3.20.5217, and EA3.20.5218 :-			
EA3.20.4053	. . . Bolt, special	4	-	LE9/8
EA3.20.227	. . . Eye-bolt, special, port	1	-	LE9/9
EA3.20.228	. . . Eye-bolt, special, starboard	1	-	LE9/10
A27LT	. . . Nut, thin	4	-	LE9/11
A27NS	. . . Nut, slotted	1	-	LE9/12
SP90E10	. . . Pin, split	1	-	LE9/13
EA3.20.4055	. . . Washer, special	4	-	LE9/14
SP125L	. . . Washer	4	-	LE9/15
R EA3.20.4049	. . . PACKING	1	-	LE9/16
EA3.20.4035	. . REPAIR TO OUTBOARD T/E ENGINE RIB No. 1 LOWER, PORT	-	-	
EA3.20.4036	. . REPAIR TO OUTBOARD T/E ENGINE RIB No. 1 LOWER, STARBOARD	-	-	
	Spares for :-			
R EA3.20.4025	. . . CLEAT, port	1	-	LE9/17
R EA3.20.4026	. . . CLEAT, starboard	1	-	LE9/18
	Attaching parts for EA3.20.4025 and EA3.20.4026 :-			
EA3.20.4063	. . . Bolt, special	5	-	LE9/19
EA3.03.65	. . . Bolt, special	2	-	LE9/20
A27LT	. . . Nut, thin	5	-	LE9/21
EA3.20.1809	. . . Nut, special, inboard	1	-	LE9/22
EA3.20.1811	. . . Nut, special, outboard	1	-	LE9/23
SP90G10	. . . Pin, split	1	-	LE9/24
EA3.20.4065	. . . Washer, special	5	-	LE9/25
SP125L	. . . Washer	2	-	LE9/26
SP13S	. . . Washer	2	-	LE9/27
R EA3.20.4173	. . . PLATE, joint	1	-	LE9/28
	Attaching parts for EA3.20.4173 :-			
A25/6C	. . . Bolt, 2BA	16	-	LE9/29
A27CT	. . . Nut, 2BA, thin	16	-	LE9/30
SP124C	. . . Washer	16	-	LE9/31

MAINPLANE
WING STRUCTURE

Part Number	Description	No. Off	Matl. Spec.	Plate No.
EA3.20.4033	. . . REPAIR TO OUTBOARD T/E ENGINE RIB No. 1 UPPER, PORT	—	—	
EA3.20.4034	. . . REPAIR TO OUTBOARD T/E ENGINE RIB No. 1 UPPER, STARBOARD	—	—	
	Spares for :—			
EA3.20.4026	. . . CLEAT, port (Pre—Mod 5112)	1	—	LE9/32
EA3.20.4025	. . . CLEAT, starboard (Pre—Mod 5112)	1	—	LE9/33
EC2.20.1307	. . . CLEAT (Mod 5112)	1	—	
	Attaching parts for EA3.20.4026, EA3.20.4025, and EC2.20.1307 :—			
EA3.20.4063	. . . Bolt, special	5	—	LE9/34
EA3.03.65	. . . Bolt, special	2	—	LE9/35
A27/LT	. . . Nut, thin	5	—	LE9/36
EA3.20.1809	. . . Nut, special, inboard	1	—	LE9/37
EA3.20.1811	. . . Nut, special, outboard	1	—	LE9/38
SP90G10	. . . Pin, split	1	—	LE9/39
EA3.20.4065	. . . Washer, special	5	—	LE9/40
SP125L	. . . Washer	5	—	LE9/41
SP16R	. . . Washer	2	—	LE9/42
EA3.20.4049	. . . PACKING	1	—	LE9/43
EA3.20.4173	. . . PLATE, joint	1	—	LE9/44
	Attaching parts for EA3.20.4173 :—			
A25/6C	. . . Bolt, 2BA	16	—	LE9/45
A27CT	. . . Nut, 2BA, thin	16	—	LE9/46
SP124C	. . . Washer	16	—	LE9/47
EA3.20.4037	. . . REPAIR TO INNER WING T/E RIB No. 7, PORT	—	—	
EA3.20.4038	. . . REPAIR TO INNER WING T/E RIB No. 7, STARBOARD	—	—	
	Spares for :—			
EA3.20.4075	. . . BUTTSTRAP, lower	1	—	LE10/1
EA3.20.4077	. . . BUTTSTRAP, upper	1	—	LE10/2
	Attaching parts for EA3.20.4075 and EA3.20.4077 :—			
A25/6C	. . . Bolt, 2BA	16	—	LE10/3
A27CT	. . . Nut, 2BA, thin	16	—	LE10/4
SP13C	. . . Washer	16	—	LE10/5
EA3.20.4027	. . . CLEAT, upper port, lower starboard (Pre—Mod 5112)	1	—	LE10/6
EA3.20.4321	. . . CLEAT, upper, port (Mod 5112)	1	—	
EA3.20.4028	. . . CLEAT, lower port, upper starboard (Pre—Mod 5112)	1	—	LE10/7
EA3.20.4322	. . . CLEAT, upper starboard (Mod 5112)	1	—	
	Attaching parts for EA3.20.4027, EA3.20.4321, EA3.20.4028 and EA3.20.4322 :—			
EA3.20.4063	. . . Bolt, special	5	—	LE10/8
EA3.03.64	. . . Bolt, special, lower cleat	2	—	LE10/9
EA3.03.63	. . . Bolt, special, upper cleat	2	—	LE10/10
A27LT	. . . Nut, thin	5	—	LE10/11
A27QP	. . . Nut, lower cleat	2	—	LE10/12
A27SP	. . . Nut, upper cleat	2	—	LE10/13
EA3.20.4095	. . . Washer, special	5	—	LE10/14
SP125L	. . . Washer	5	—	LE10/15
EA1.20.2295	. . . Washer, special, lower cleat	2	—	LE10/16
EA1.20.2327	. . . Washer, special, lower cleat	2	—	LE10/17
SP16S	. . . Washer, upper cleat	2	—	LE10/18
EA3.20.4049	. . . PACKING	2	—	LE10/19

MAINPLANE

WING STRUCTURE

Part Number	Description	No. Off	Mati. Spec.	Plate No.
EA3.20.4039	. . REPAIR TO INNER WING T/E ENGINE RIB No. 6 PORT	-	-	
EA3.20.4040	. . REPAIR TO INNER WING T/E ENGINE RIB No. 6 STARBOARD	-	-	
EA3.20.4029	. . . CLEAT (Pre-Mod 5112)	2	-	LE10/20
EA3.20.4331	. . . CLEAT (Mod 5112) Attaching parts for EA3.20.4029 and EA3.20.4331:-	2	-	
EA3.20.4091	. . . Bolt, special	5	-	LE10/21
EA3.03.73	. . . Bolt, special, inboard	1	-	LE10/22
EA3.03.72	. . . Bolt, special, outboard	1	-	LE10/23
A27GT	. . . Nut, thin	5	-	LE10/24
A27QP	. . . Nut	2	-	LE10/25
EA3.20.4093	. . . Washer, special	5	-	LE10/26
SP122G	. . . Washer	5	-	LE10/27
SP122Q	. . . Washer	2	-	LE10/28
EA3.20.4089	. . . PACKING	1	-	LE10/29
EA1.20.203	. RING, rear cowl, false spar connecting Attaching parts for EA1.20.203:-	1	-	
A25/9C	. Bolt, 2BA	20	-	
AGS2002C1	. Nut, 2BA	20	-	
SP15C	. Washer	20	-	
EEAS1/1 $\frac{1}{2}$ C	. SCREW, 2BA	QR	-	
EEAS1/2C	. SCREW, 2BA	QR	-	
EEAS1/3 $\frac{1}{2}$ E	. SCREW, $\frac{1}{4}$ " BSF	QR	-	
EEAS1/5E	. SCREW, $\frac{1}{4}$ " BSF	8	-	
EA3.20.363	. SHROUD, inboard, aileron, centre hinge	1	-	LE1/1
EA3.20.365	. SHROUD, outboard, aileron, centre hinge	1	-	LE1/2
EA3.20.1183	. SHROUD, inboard, aileron, hinge, port	1	-	LE1/3
EA3.20.1184	. SHROUD, inboard, aileron, hinge, starboard Attaching parts for EA3.20.1183 and EA3.20.1184:-	1	-	LE1/4
A25/1C	. Bolt, 2BA	2	-	LE1/4A
EA1.20.1327	. SKID, main u/c hinged flap, port operating	1	-	
EA1.20.1328	. SKID, main u/c hinged flap starboard operating	1	-	
EG4.20.5	. SPAR MAIN PORT, ASSEMBLY	1	-	
EG4.20.6	. SPAR MAIN STARBOARD, ASSEMBLY Spares for:-	1	-	
EA1.20.2911	. . BOOM, SPAR, LOWER PORT, ASSEMBLY	1	-	
EA1.20.2912	. . BOOM, SPAR, LOWER STARBOARD, ASSEMBLY Spares for:-	1	-	
EA1.20.3417	. . . BUSH, outboard, fuselage pick-up	1	-	
EA1.20.3419	. . . BUSH, inboard, fuselage pick-up	1	-	
EA3.20.4129	. . . BUSH (Mod 5027)	AR	-	
EA3.20.4131	. . . BUSH, oversize (Mod 5027)	AR	-	
EA3.20.4133	. . . BUSH, oversize (Mod 5027)	AR	-	

R

MAINPLANE
WING STRUCTURE

Part Number	Description	No. Off	Mtrl. Spec.	Plate No.
EA1.20.2909	. . BOOM, SPAR, UPPER PORT, ASSEMBLY	1	—	
EA1.20.2910	. . BOOM, SPAR, UPPER STARBOARD, ASSEMBLY Spares for :—	1	—	
EA1.20.3417	. . . BUSH, outboard, fuselage pick-up	1	—	
EA1.20.3419	. . . BUSH, inboard, fuselage pick-up	1	—	
EA1.20.2665	. . BRACKET, ATTACHMENT, AIR BRAKE JACK PORT, ASSEMBLY	1	—	
EA1.20.2666	. . BRACKET, ATTACHMENT, AIR BRAKE JACK STARBOARD, ASSEMBLY Spares for :—	1	—	
R EA1.20.2949	. . . ANGLE, port	1	—	
R EA1.20.2950	. . . ANGLE, starboard	1	—	
EA1.20.2952	. . . ANGLE, port	1	—	
EA1.20.2951	. . . ANGLE, starboard	1	—	
EA1.20.2667	. . . BRACKET, port	1	—	
EA1.20.2668	. . . BRACKET, starboard	1	—	
EA1.20.2917	. . . BUSH	2	—	
EA1.20.3017	. . BRACKET, wall, aileron control lever	1	L65	
EA1.20.3019	. . BRACKET, wall, aileron control lever	1	L65	
JCSA	. . COMPUND, jointing (SEM 048 FIG. 1)	QR	—	
R EA1.20.143	. . FERRULE	48	S96	
R —	. . PLATE, protection (SEM 048 FIG. 1)	1	L73x20SWG	
R EA3.20.4965/6	. SPAR, MAIN, TOP BOOM AT ROOT END AND MAINPLANE TOP SURFACE, ALTERATIONS (Alt. R60/97—Mod 5100) Spares for :—	—	—	
R EA3.20.5147	. . BOLT, (Alt R60/97—Mod 5100)	13	S97	
R EA3.20.5147	. . BOLT (Alt R60/122—Mod 5100)	12	S97	
R EEAS1/4E	. . BOLT (Alt R60/122—Mod 5100)	1	—	
R AGS2002C1	. . NUT (Alt R60/97—Mod 5100)	13	—	
R AGS2002C1	. . NUT (Alt R60/122—Mod 5100)	12	—	
R AGS2001E1/66	. . NUT (Alt R60/122—Mod 5100)	1	—	
R EA3.20.5151	. . WASHER (Alt R60/97—Mod 5100)	9	—	
R EA3.20.5151	. . WASHER (Alt R60/122—Mod 5100)	8	—	
R SP124E	. . WASHER (Alt R60/122—Mod 5100)	1	—	
R EA3.20.5125/6	. SPAR, MAIN BOTTOM BOOM AT ROOT END AND MAINPLANE BOTTOM SURFACE, ALTERATIONS (Alt R60/97—Mod 5100) Spares for :—	—	—	
R EA3.20.5149	. . BOLT (Alt R60/97—Mod 5100)	14	—	
R or EA3.20.5148	. . BOLT			
R EA3.20.5149	. . BOLT (Alt R60/122—Mod 5100)	10	—	
R or EA3.20.5148	. . BOLT			
R EA3.20.4681	. . BOLT (Alt R60/122—Mod 5100)	4	—	

MAINPLANE
WING STRUCTURE

Part Number	Description	No. Off	Mati. Spec.	Plate No.
EK5.20.641	. STRUT, undercarriage tie between jack attachment bracket and side stay, port (Alt. R60/4-Mod 5100) (Pre-Mod 5347)	1	S96	
EA3.00.5717	. STRUT, undercarriage tie (Spares for EK5.20.641) (MOD 5347)	1	-	LE8/52
EK5.20.642	. STRUT, undercarriage tie between jack attachment bracket and side stay, starboard (Alt. R60/4-Mod 5100) (Pre-Mod 5347)	1	S96	
EA3.00.5718	. STRUT, undercarriage tie (Spares for EK5.20.642) (MOD 5347) Attaching parts for EA3.00.5717, EK5.20.641, EA3.00.5718 and EK5.20.642:-	1	-	LE8/53
A25/7C	. Bolt, 2BA	16	-	
A57/16L	. Bolt, shear, 7/16" BSF	2	-	LE8/54
A57/8N	. Bolt, shear, 7/2" BSF (Pre-Mod 5100)	1	-	LE8/55
A60/8P	. Bolt, 9/16" (Alt. R60/4-Mod 5100)	1	-	
A27CP	. Nut, 2BA	16	-	
A58LS	. Nut, 7/16" BSF	2	-	LE8/56
A58NS	. Nut, 1/2" BSF (Pre-Mod 5100)	1	-	LE8/57
A58PS	. Nut, 9/16" (Alt. R60/4-Mod 5100)	1	-	
SP90C7	. Pin, split (Pre-Mod 5100)	3	-	LE8/56A
SP90G10	. Pin, split (Alt. R60/4-Mod 5100)	3	-	
SP15C	. Washer (Pre-Mod 5100)	16	-	
SP125C	. Washer (Alt. R60/4-Mod 5100)	16	-	
SP15L	. Washer (Pre-Mod 5100)	2	-	LE8/54A
SP125L	. Washer (Alt. R60/4-Mod 5100)	2	-	
SP16N	. Washer (Pre-Mod 5100)	1	-	LE8/57A
SP125P	. Washer (Alt. R60/4-Mod 5100)	1	-	

MAINPLANE
WING STRUCTURE

Part Number	Description 1 2 3 4 5 6	No. Off	Matl. Spec.	Plate No.

AP101B-0415-3A

Page LE.9

MAINPLANE
WING STRUCTURE

Part Number	Description	No. Off	Matl. Spec.	Plate No.
EA1.20.2989	. STUD, special, undercarriage, jack attachment bracket end Attaching parts for EA1.20.2989 :-	1	S11	LE8/58
EA3.20.897	. Pin, special	1	S92	LE8/59
EA1.20.575	. Washer, plate	1	L40	LE8/54B
EA3.20.1211	. Washer, plate	1	L40	LE8/54C
EA1.20.3505	. TANK, INTEGRAL, PORT (SEE CHAPTER UC)	-	-	
EA1.20.3506	. TANK, INTEGRAL, STARBOARD (SEE CHAPTER UC)	-	-	
EA1.20.2295	. WASHER, undercarriage bracket, top bolt	2	S11	LE8/60
EA1.20.2327	. WASHER, undercarriage bracket, bottom bolt	2	S11	LE8/61
EA1.20.2991	. WASHER, undercarriage jack attachment bracket end Attaching parts for EA1.20.2991 :-	1	DTD126	LE8/62
A27NS	. Nut, slotted 1/2" BSF	1	-	LE8/62A
SP90E10	. Pin, split 3/32" dia	1	-	LE8/62B
EA3.20.1057	. WASHER, undercarriage bracket	9	L40	LE8/63
EG4.20.709	. WING CENTRE, AFT OF SPAR, PORT ASSEMBLY (MOD 4799)	-	-	
EG4.20.710	. WING CENTRE, AFT OF SPAR, STARBOARD ASSEMBLY (MOD 4799) Spares for :-	-	-	
EA3.20.2021	. . BRACKET, aerial, mounting, rib 4	1	-	LE5/12
EC3.20.91	. . BRACKET, aerial, mounting, rib 6 Attaching parts for EA3.20.2021 and EC3.20.91 :-	1	DTD683	LE5/13
A25/31E	. . Bolt, 1/2" BSF	2	-	LE5/14
AGS2001E1/66	. . Nut, 1/2" BSF	2	-	LE5/15
SP15E	. . Washer	2	-	LE5/15A
EA3.20.3931	. . DOOR, ACCESS, BETWEEN RIBS 6 AND 7, BOTTOM SKIN, PORT (ALT R60/313-MOD 5100)	-	-	
EA3.20.3932	. . DOOR, ACCESS, BETWEEN RIBS 6 AND 7, BOTTOM SKIN, STARBOARD (ALT R60/313-MOD 5100) Spares for :-	-	-	
EA3.20.3933	. . . DOOR, access, for hydraulic pipes Attaching parts for EA3.20.3933 :-	1	L73	
EEAS1/2C	. . . Screw, 2BA	30	S96	
EB7.20.159	. . EXCLUDER, dirt, port only Attaching parts for EB7.20.159 :-	1	-	LE4/38
A25/1C	. . Bolt, 2BA	2	-	LE4/39
AGS2001C1/66	. . Nut, 2BA	2	-	LE4/40
SP13C	. . Washer	2	-	LE4/41

R

MAINPLANE
WING STRUCTURE

Part Number	Description	No. Off	Matl. Spec.	Plate No.
EA3.20.1921	. . . MEMBER TORQUE, REAR WALL, PORT ASSEMBLY	-	-	
EA1.20.8271	. . . MEMBER TORQUE, REAR WALL, STARBOARD ASSEMBLY	-	-	
EA1.20.751	. . . BRACKET, LEVER ASSEMBLY PORT (PRE-MOD 5105)	1	-	LE4/1
EA1.20.11075	. . . BRACKET, LEVER ASSEMBLY PORT (MOD 5105)	1	-	
EA1.20.751	. . . BRACKET, LEVER ASSEMBLY STARBOARD (PRE-MOD 5105)	2	-	
EA1.20.11075	. . . BRACKET, LEVER ASSEMBLY STARBOARD (MOD 5105)	2	-	
EA1.20.761	. . . BRACKET, lever (Pre-Mod 5105)	1	-	
EA3.20.5173	. . . BRACKET, lever (Mod 5105)	1	-	
EA1.20.771	. . . BUSH (Pre-Mod 5105)	1	S15	
EA3.20.5187	. . . BUSH, (Matched pair) (Mod 5105)	2	S82	
EA1.20.735	. . . LEVER BELLCRANK, FLAP OPERATION ASSEMBLY	1	-	LE4/2
EA1.25.65	. . . BOLT, special	1	S11	LE4/3
EA1.20.739	. . . BUSH	1	DTD625	LE4/4
EA1.20.741	. . . BUSH	1	DTD625	LE4/5
EA1.20.745	. . . BUSH	1	DTD625	LE4/6
EA1.20.737	. . . LEVER, bellcrank	1	DTD683	LE4/7
SP21	. . . NIPPLE, lubricating	1	-	LE4/33
A27JS	. . . NUT, 3/8" BSF	1	-	LE4/8
SP90C8	. . . PIN, split 1/16" dia	1	-	LE4/37
EA1.20.743	. . . WASHER, special	2	L64	LE4/9
EEAS5	. . . WASHER, red fibre	1	BSS216	LE4/35
EEAS28/37EU	. . . WASHER, special	1	DTD124	LE4/36
A27SS	. . . Nut, 3/8" BSF	1	-	LE4/10
SP90H13	. . . Pin, split	1	-	LE4/10B
SP15S	. . . Washer (Pre-Mod 5105)	1	-	LE4/10A
SP124S	. . . Washer (Mod 5105)	1	-	
EA1.20.749	. . . SPINDLE LEVER	1	-	LE4/32
ASD514RS1	. . . WASHER, special 22 SWG	-	S520	
ASD514RS2	. . . WASHER, special 24 SWG	-	S520	
ASD514RS3	. . . WASHER, special 26 SWG	-	S520	
ASD514RS4	. . . WASHER, special 28 SWG	-	S520	
ASD514RS5	. . . WASHER, special 30 SWG	-	S520	

AP101B-0415-3A

Page LE.11

MAINPLANE
WING STRUCTURE

Part Number	Description						No. Off	Mati. Spec.	Plate No.
	1	2	3	4	5	6			
EA1.20.3159	BRACKET, LEVER ASSEMBLY, PORT ONLY (PRE-MOD 5105)	1	-	LE4/11
EA1.20.11085	BRACKET, LEVER ASSEMBLY, PORT ONLY (MOD 5105)	1	-	
EA1.20.761	Spares for :- BRACKET, lever (Pre-Mod 5105)	1	-	
EA3.20.5173	BRACKET, lever (Mod 5105)	1	-	
EA1.20.771	BUSH (Pre-Mod 5105)	1	S15	
EA3.20.5187	BUSH (Matched Pair) (Mod 5105)	2	S82	
EA1.20.3135	LEVER BELLCRANK C/W LUG FLAP OPERATION ASSEMBLY	1	-	LE4/12
EA1.25.65	Spares for :- BOLT, special	1	S11	LE4/3
EA1.20.739	BUSH	1	DTD625	LE4/4
EA1.20.741	BUSH	1	DTD625	LE4/5
EA1.20.745	BUSH	1	DTD625	LE4/6
EA1.20.3137	LEVER, bellcrank	1	DTD683	LE4/13
SP21	NIPPLE, lubricating	1	-	LE4/34
A27JS	NUT, 3/8" BSF	1	-	LE4/8
SP90CB	PIN, split 1/16" dia	1	-	LE4/37
EA1.20.743	WASHER, special	2	L64	LE4/9
EEAS28/37EU	WASHER, special 18 SWG	1	DTD124	LE4/36
EEAS5	WASHER, red fibre	1	BSS216	LE4/35
A27SS	Attaching parts for EA1.20.3135 :- Nut, 3/8" BSF	1	-	LE4/10
SP90H13	Pin, split	1	-	LE4/10B
SP15S	Washer (Pre-Mod 5105)	1	-	LE4/10A
SP124S	Washer (Mod 5105)	1	-	
EA1.20.749	SPINDLE, LEVER	1	-	LE4/32
ASD514RS1	Spares for :- WASHER, special 22 SWG	-	S520	
ASD514RS2	WASHER, special 24 SWG	-	S520	
ASD514RS3	WASHER, special 26 SWG	-	S520	
ASD514RS4	WASHER, special 28 SWG	-	S520	
ASD514RS5	WASHER, special 30 SWG	-	S520	
EA1.20.321	BUSH	1	-	LE4/14
EA3.20.1947	PANEL, access electrically transparent, c/w bushes	1	Laminated	LE5/16
EB6.20.123	Attaching parts for EA3.20.1947 :- Bolt, special	16	S96	LE5/14
EB6.20.125	Bolt, special	92	S96	LE5/18

MAINPLANE
WING STRUCTURE

Part Number	Description	No. Off	Matl. Spec.	Plate No.
EA3.20.1911	. . . RIB, NO.4 AFT, AILERON CONTROL LEVER, PORT ASSEMBLY (Supplied to Drg. Part No. EC1.07.601 for Spares Purposes)	1	—	
EA3.20.1912	. . . RIB, NO. 4 AFT, AILERON CONTROL LEVER, STARBOARD, ASSEMBLY (Supplied to Drg. Part No. EC1.20.602 for Spares Purposes)	1	—	
EA1.20.643	. . . BRACKET, mounting aileron lever, port	1	—	
EA1.20.644	. . . BRACKET, mounting aileron lever, starboard	1	—	
	Attaching parts for EA1.20.643 and EA1.20.644 :-			
A25/2C	. . . Bolt, 2BA	2	—	
A25/3C	. . . Bolt, 2BA	1	—	
A27CP	. . . Nut, 2BA	3	—	
SP15C	. . . Washer	3	—	
EA1.20.645	. . . BRACKET, mounting, aileron lever, port	1	—	
EA1.20.646	. . . BRACKET, mounting, aileron lever, starboard	1	—	
	Attaching parts for EA1.20.645 and EA1.20.646 :-			
A25/4C	. . . Bolt, 2BA	1	—	
A60/5J	. . . Bolt, 3/8" BSF	1	—	
A60/7J	. . . Bolt, 3/8" BSF	1	—	
A27CP	. . . Nut, 2BA	1	—	
A27JT	. . . Nut, 3/8" BSF	2	—	
SP15C	. . . Washer	1	—	
SP16J	. . . Washer	2	—	
EA1.20.465	. . . BRACKET, wall, aileron lever brackets	2	—	
EA1.20.681	. . . STAY, side, aileron lever bracket, port	1	—	
EA1.20.682	. . . STAY, side, aileron lever bracket, starboard	1	—	
	Attaching parts for EA1.20.681 and EA1.20.682 :-			
A25/5C	. . . Bolt, 2BA	2	—	
A27CP	. . . Nut, 2BA	2	—	
SP15C	. . . Washer	2	—	
EA1.20.2317	. . . SUPPORT, pipe, port	1	—	
EA1.20.2318	. . . SUPPORT, pipe, starboard	1	—	
	Attaching parts for EA1.20.2317 and EA1.20.2318 :-			
A25/4C	. . . Bolt, 2BA	2	—	
A29CP	. . . Nut, 2BA	2	—	
SP15C	. . . Washer	2	—	

AP101B-0415-3A

MAINPLANE
WING STRUCTURE

Part Number	1 2 3 4 5 6	Description	No. Off	Matl. Spec.	Plate No.
R R EB6.20.527		. . . SHROUD, FLAP, PORT ASSEMBLY (Pre-Mod 5347)	1	-	
EB7.00.5307		. . . SHROUD, FLAP INBOARD, PORT ASSEMBLY (Spares for EB6.20.527) (Mod 5346)	1	-	LE4/15
R EA3.20.2608		. . . SHROUD, FLAP, STARBOARD ASSEMBLY (Pre-Mod 5347)	1	-	
R EA3.00.5723		. . . SHROUD, FLAP INBOARD, STARBOARD ASSEMBLY (Spares for EA3.20.2608) (Mod 5346)	1	-	LE4/16
EA3.20.2513		. . . PANEL, access, inboard	1	L72	LE4/17
EA3.20.2515		. . . PANEL, access, outboard	1	L72	LE4/18
EEAS1/1C		. . . Attaching parts for EA3.20.2513 and EA3.20.2515:- Screw, 2BA	14	S96	LE4/19
EA3.20.1977		. . . STOP, flap	8	-	LE4/20
EA3.00.229		. WING, EXTENSION, PORT ASSEMBLY (EA1.20.1865)	1	-	LE5/19
EA3.00.230		. WING, EXTENSION, STARBOARD ASSEMBLY (EA1.20.1866)	1	-	LE5/20
EA1.20.1977		. . . Spares for:- PANEL, access	1	-	LE5/21
EEAS2/1 1/2 C		. . . Attaching parts for EA1.20.1977:- Screw, 2BA	12	S96	LE5/23
EA1.20.2473		. . . PLATE, blanking, explosive bolt holes	2	-	LE5/24
EA1.20.2471		. . . PLATE, locking, explosive bolt holes	2	-	LE5/25
A33C24		. . . Attaching parts for EA1.20.2473 and EA1.20.2471:- (Per Pair) Screw, 2BA	1	-	LE5/26
EA1.20.1873		. . . SKIN TOP, PORT, ASSEMBLY	-	-	
EA1.20.1874		. . . SKIN TOP, STARBOARD, ASSEMBLY	-	-	
EA3.20.1063		. . . Spares for:- PANEL, access explosive bolt	1	-	LE6/1
EA3.20.1065		. . . PANEL, access explosive bolt	1	-	LE6/2
EA3.20.879		. . . STOP-BOLT	1	-	LE6/3
EA6.20.7		. WING, INNER, LEADING EDGE, PORT ASSEMBLY	-	-	
EG4.20.7		. WING, INNER, LEADING EDGE, STARBOARD ASSEMBLY	-	-	
EA1.20.1349		. . . Spares for:- BLOCK, stop, undercarriage	1	L40	LE7/1
A25/29E		. . . Attaching parts for EA1.20.1349:- Bolt, 1/4" BSF	3	-	LE7/2
EA1.20.3149		. . . Cradle, stop, assembly	1	-	LE7/3
A27ES		. . . Nut, 1/4" BSF	3	-	LE7/4
R SP90C7		. . . Pin, split	3	-	LE7/4A
R SP90G4		. . . Pin, split	2	-	LE7/4B
EA1.20.1355		. . . Shim (if necessary)	1	L72	LE7/5
EA3.20.1067		. . . Shim (if necessary)	1	-	LE7/6
SP16E		. . . Washer	3	-	LE7/4C

MAINPLANE
WING STRUCTURE

Part Number	Description	No. Off	Matl. Spec.	Plate No.
EA3.20.2495	. . . BRACKET, SHOOT BOLT ASSEMBLY, PORT	1	—	
EA3.20.2496	. . . BRACKET, SHOOT BOLT ASSEMBLY, STARBOARD	1	—	
	Spares for :—			
EA1.20.1791	. . . BRACKET, ASSEMBLY, PORT	1	—	
EA1.20.1792	. . . BRACKET, ASSEMBLY, STARBOARD	—	—	
	Spares for :—			
EA1.20.2231	. . . BRACKET, shoot bolt	1	—	
EA3.20.2273	. . . PAD	1	—	
	Attaching parts for EA3.20.2273 :—			
AS1242/1C	. . . Bolt, 2BA	2	—	
AGS2001C1/66	. . . Nut, 2BA	2	—	
EA3.20.1153	. . . BRACKET, undercarriage 'up' lock, port	1	DTD683	LE7/9
EA3.20.1154	. . . BRACKET, undercarriage 'up' lock, starboard	1	DTD683	LE7/10
	Attaching parts for EA3.20.1153 and EA3.20.1154 :—			
A25/7J	. . . Bolt, 3/8" BSF	3	—	LE7/11
or				
A25/8J	. . . Bolt, 3/8" BSF	3	—	
AS1242/7J	. . . Bolt, 3/8" BSF	1	—	LE7/12
or				
AS1242/8J	. . . Bolt, 3/8" BSF	1	—	
A27JP	. . . Nut, 3/8" BSF	3	—	LE7/13
AGS2001J1	. . . Nut, 3/8" BSF	1	—	LE7/14
EA3.20.2969	. . . Shim	1	L72	LE7/15
SP16J	. . . Washer	3	—	LE7/15A
EA1.20.1249	. . . BRACKET, tension spring attachment, port (Pre-Mod 4449)	1	—	LE7/16
R EA3.20.3165	. . . BRACKET, tension spring attachment, port (Mod 4449)	1	—	
R EA3.20.3420	. . . BRACKET, tension spring attachment, starboard (Pre-Mod 4449)	1	—	LE7/17
R EA3.20.3166	. . . BRACKET, tension spring attachment, starboard (Mod 4449)	1	—	
R EA3.20.3419	. . . BRACKET, tension spring attachment, port (Mod 4449—S.O.O.)	1	L72	
R EA3.20.3420	. . . BRACKET, tension spring attachment, starboard (Mod 4449—S.O.O.)	1	L72	
	Attaching parts for EA1.20.1249, EA1.20.1250, EA1.20.1365, EA1.20.1366, EA3.20.3419 and EA3.20.3420 :—			
A25/3C	. . . Bolt, 2BA	2	—	LE7/18
A27CT	. . . Nut, 2BA (Pre-Mod 4449)	2	—	LE7/19
A27CP	. . . Nut (Mod 4449—S.O.O.)	2	—	
SP15C	. . . Washer (Pre-Mod 4449)	2	—	LE7/19A
SP124D	. . . Washer, packing (Mod 4449—S.O.O.)	2	—	

MAINPLANE
WING STRUCTURE

Part Number	1 2 3 4 5 6	Description	No. Off	Matl. Spec.	Plate No.
EB7.20.435	.	BRACKET MAIN UNDERCARRIAGE AND RIB 7, PORT ASSEMBLY	—	—	LE7/20
EB7.20.436	.	BRACKET MAIN UNDERCARRIAGE AND RIB 7, STARBOARD ASSEMBLY	—	—	LE7/21
		Spares for :—			
EA3.20.1205	.	BRACKET, main, forging, port (Pre—Mod 4271)	1	—	
EA3.20.5063	.	BRACKET, main, forging, port (Mod 4271)	1	—	LE7/22
EA3.20.1206	.	BRACKET, main, forging, starboard (Pre—Mod 4271)	1	—	
EA3.20.5064	.	BRACKET, main, forging, starboard (Mod 4271)	1	—	LE7/23
EA1.20.1665	.	BRACKET, side forging, port	1	—	LE7/24
EA1.20.1666	.	BRACKET, side forging, starboard	1	—	LE7/25
		Attaching parts for EA3.20.5063, EA3.20.5064, EA1.20.1665 and EA1.20.1666 :— (per pair)			
A25/22L	.	Bolt, 7/16" BSF	1	—	LE7/26
A25/23L	.	Bolt, 7/16" BSF	12	—	LE7/27
A25/9N	.	Bolt, 1/2" BSF	6	—	LE7/28
A27LP	.	Nut, 7/16" BSF	2	—	LE7/29
A27NP	.	Nut, 1/2" BSF	6	—	LE7/30
SP15L	.	Washer	2	—	LE7/26A
SP16N	.	Washer	6	—	LE7/28A
EA1.20.1937	.	EYE-BOLT, port	1	—	LE7/31
EA1.20.1938	.	EYE-BOLT, starboard	1	—	LE7/32
EA3.20.183	.	PLATE, tie support, upper, port (Supplied to Drg. EA3.00.665 for spares purposes)	1	DTD687	LE7/33
EA3.20.184	.	PLATE, tie support, upper, starboard (Supplied to Drg. No. EA3.00.666 for spares purposes)	1	DTD687	LE7/34
		Attaching parts for EA3.20.183 and EA3.20.184 :—			
EA3.20.1151	.	Bolt, special	2	—	LE7/35
A25/4G	.	Bolt, 5/16" BSF	12	—	LE7/36
A25/5G	.	Bolt, 5/16" BSF	14	—	LE7/37
A27GT	.	Nut, 5/16" BSF	26	—	LE7/38
EA3.20.1123	.	Strip, packing, port	1	—	LE7/39
EA3.20.1124	.	Strip, packing, starboard	1	—	LE7/40
SP16G	.	Washer	14	—	LE7/38A

MAINPLANE
WING STRUCTURE

Part Number	Description	No. Off	Mati. Spec.	Plate No.
EA3.20.185 PLATE, tie support lower, port (Supplied to Drg. No. EA3.00.635, for spares purposes)	1	-	LE7/41
EA3.20.186 PLATE, tie support lower, starboard (Supplied to Drg. No. EA3.00.636, for spares purposes)	1	-	LE7/42
EA3.20.1121 Attaching parts for EA3.20.185 and EA3.20.186 :- Bolt, special	1	-	LE7/43
A25/5G Bolt, 5/16" BSF	11	-	LE7/44
A25/8G Bolt, 5/16" BSF	18	-	LE7/45
A57/9G Bolt, shear, 5/16" BSF	3	-	LE7/46
A27GT Nut, 5/16" BSF	32	-	LE7/47
SP16G Washer	32	-	LE7/47A
SP16J Washer	1	-	LE7/43A
EB7.20.293 RIB NO. 7 INBOARD ENGINE, PORT ASSEMBLY	1	-	LE7/48
EB7.20.294 RIB NO. 7 INBOARD ENGINE, STARBOARD ASSEMBLY	1	-	LE7/49
EA1.20.6933 Spares for :- BOOM, RIB INBOARD, L/E PORT ASSEMBLY	1	-	
EA1.20.6934 BOOM, RIB INBOARD, L/E STARBOARD ASSEMBLY	1	-	
EA1.20.349 BRACKET, toggle fastener	1	-	LE7/50
EA1.20.350 BRACKET, toggle fastener	1	-	LE7/51
EA1.20.351 BRACKET, toggle fastener Attaching parts for EA1.20.349, EA1.20.350, and EA1.20.351 :-	1	-	LE7/52
A25/3C Bolt, 2BA	4	-	LE7/53
SP16C Washer	4	-	LE7/53A
EA1.20.917 BRACKET, toggle fastener	1	-	LE7/54
EA1.20.918 BRACKET, toggle fastener Attaching parts for EA1.20.917 and EA1.20.918 :-	1	-	LE7/55
A25/4C Bolt, 2BA	4	-	LE7/56
SP16C Washer	4	-	LE7/56A
EA1.20.353 BRACKET, toggle fastener Attaching parts for EA1.20.353 :-	1	-	LE7/57
A25/3C Bolt, 2BA	6	-	LE7/58
EA1.20.3245 Washer, special	6	-	LE7/58A
EA1.20.2645 BRACKET, flame switch (port only)	1	-	LE7/59
EA3.20.2587 PLATE, packing spring, No.1 and 2, top and bottom boom	4	-	LE7/60
EA3.20.2595 PLATE, packing spring, No.4, top boom	1	-	
EA3.20.2591 PLATE, packing spring, No. 5, bottom boom	1	-	
EA3.20.2589 PLATE, packing spring, No. 5, top boom and spring No. 4 bottom boom	2	-	
S5/325 SPRING, Dzus	10	-	LE7/61

AP101B-0415-3A

MAINPLANE
WING STRUCTURE

Part Number	Description						No. Off	Mati. Spec.	Plate No.
	1	2	3	4	5	6			
EA1.20.3201	1	-	LE11/1
EA1.20.3213	1	-	LE11/2
	Attaching parts for EA1.20.3201 and EA1.20.3213 :- (per pair)								
A25/2C	8	-	LE11/3
A27CP	2	-	LE11/4
AGS2001C1/66	6	-	LE11/5
EEAS31/7R	6	-	LE11/5A
EA1.20.3237	2	-	LE11/4A
EB6.20.853	1	-	LE6/4
	COVER, AERIAL BOX, STARBOARD ASSEMBLY Spares for :-								
EB6.20.851	1	LFS26	LE6/5
	PLUG Attaching parts for EB6.20.853 :-								
AS1242/3C	28	-	LE6/6
AGS2001B1	4	-	LE6/7
AGS2001C1/66	28	-	LE6/8
A45B12	4	-	LE6/9
SP16C	28	-	LE6/8A
EB7.20.271	2	-	
EB7.20.272	2	-	
EA3.20.2573	1	-	LE7/62
	HOOK UNDERCARRIAGE 'UP' LOCK, ASSEMBLY Spares for :-								
EA1.20.1243	2	DTD412	LE7/63
EA3.20.2571	1	S65	LE7/64
	BUSH, bearing HOOK Attaching parts for EA3.20.2573 :-								
EA3.20.1251	1	S65	LE7/65
EA1.20.1369	1	-	LE7/66
A27JS	1	-	LE7/67
SP90C7	1	-	LE7/67A
A31B8	1	-	
EA1.20.2447	2	-	LE7/68
SP13J	1	-	LE7/67B
SP21	1	-	
EA1.20.1343	1	-	LE6/10
	NIPPLE, lubricating PANEL, nose detachable, inner wing, leading edge (Supplied to Drg. No. EA3.00.237 undrilled and with trim allowance)								

MAINPLANE
WING STRUCTURE

Part Number	Description	No. Off	Matl. Spec.	Plate No.
R EA3.00.5121	. . . PANEL, REMOVABLE, INNER WING, LEADING EDGE TOP, PORT ASSEMBLY (MOD 5248) (Spares for EB7.20.123 - Ref. 26FZ/5657)	1	-	LE6/11
R EA3.00.5122	. . . PANEL, REMOVABLE, INNER WING, LEADING EDGE TOP, STARBOARD ASSEMBLY (MOD 5248) (Spares for EB7.20.124 - Ref. 26FZ/5663)	1	-	LE6/12
EA1.20.8289	. . . COVER, inspection	1	L72	LE6/13
EB7.20.277	. . . COVER, DIPSTICK ACCESS, 2 SPEED GENERATOR DRIVE ASSEMBLY Spares for :-	1	-	LE6/14
↑ CHAIN, chandelier	QR	Brass	
R EB7.20.273 COVER, assembly	1	-	LE6/15
EB7.20.275 HOUSING, ASSEMBLY Spares for :-	1	-	LE6/16
PIONEER OIL SEAL CO. LTD. PO14311813 RING, 'O' sealing, 1.171" i/d	1	DTD900	LE6/17
R 169-3-8 RING, split, 3/8" i/d	2	-	LE6/18
DZUS F4/30 FASTENER	4	-	
DZUS F3/25DS FASTENER	4	-	
DZUS F3/30DS FASTENER	10	-	
DZUS S3/200 SPRING	14	-	
DZUS S4/3 SPRING	4	-	
EB6.20.477	. . . PANEL, REMOVABLE, INNER WING, LEADING EDGE TOP, PORT ASSEMBLY Spares for :-	1	-	LE6/19
EB6.20.479	. . . COVER, cold air unit	1	L72	LE6/20
DZUS F4/30 FASTENER	4	-	
DZUS GF4/150 GROMMET	4	-	
DZUS S4/3 SPRING	4	-	
EB7.20.295	. . . PANEL, removable, ribs 1 and 2, port	1	-	LE5/27
or EB7.20.485				
R EG4.20.77	. . . PANEL, REMOVABLE TOP, STARBOARD ASSEMBLY (Pre-Mod 5248)	1	-	LE6/21
R EA3.00.5124	. . . PANEL, REMOVABLE, TOP STARBOARD ASSEMBLY (Mod 5248) (Spares for EA1.20.1120 - Ref. 26FZ/3032)	1	-	
EA9.20.955	. . . PANEL, ACCESS, CAMERA, ASSEMBLY	1	-	LE6/22
EB6.20.971	. . . SKIN, OUTER PORTION, BOTTOM INNER WING LEADING EDGE, PORT ASSEMBLY	-	-	
EB7.20.300	. . . SKIN, OUTER PORTION, BOTTOM INNER WING LEADING EDGE, STARBOARD ASSEMBLY Spares for :-	-	-	
EA1.20.3191	. . . COVER, inspection oil sump Attaching parts for EA1.20.3191 :-	1	-	LE5/28
EEAS1/1C Screw, 2BA	8	S96	LE5/29
EA1.20.6615	. . . DOOR, access, port Attaching parts for EA1.20.6615 :-	1	-	LE5/30
EEAS1/1C Screw, 2BA	6	S96	LE5/31
EA3.20.2189	. . . PLATE, blanking (Required when A.M.U. is not fitted), port only	1	-	LE5/32

MAINPLANE
WING STRUCTURE

Ref. No.	Part No.	Description	No. off	Matl. Spec.	Cl. of Equip M.R. L.M.	Plate No.
	EB6.20.1169	SKIN, BOTTOM, INNER WING, LEADING EDGE, STARBOARD ASSEMBLY	—	—	—	
12851	EB6.20.779	PANEL, access, harmonising	1	—	B	LE5/33
1025	EEAS1/1C	Attaching parts for EB6.20.779:— Screw, 2BA	6	S96	C	LE5/34
	EG5.20.71	PANEL, CAMERA MOUNTING STARBOARD ASSEMBLY	—	—	—	LE5/35
		Spares for:—				
43413	EG5.20.73	BRACKET, mounting, assembly	1	—	C/MR	LE5/36
39946	EA9.20.735	PANEL, door	1	—	C/MR	LE5/37
39947	EA9.20.739	STIFFENER	1	—	C/MR	
39948	EA9.20.740	STIFFENER	1	—	C/MR	
39949	EA9.20.741	STIFFENER	1	—	C/MR	
5CY/1004	↑	STOWAGE, dummy	1	—	C	
41040	EA3.20.1795	SKIN BOTTOM, STARBOARD ASSEMBLY (Supplied to Part No. EA3.00.5126 Ref. 41040 for spares purposes)	1	—	—	LE5/38
		Spares for:—				
18308	EA3.20.909	STOP, door	1	DTD683	C	LE5/39
638	EA1.20.1247	SPRING, tension, undercarriage hook	1	—	C	LE7/69
1439149	EA3.20.3905	SPRING, tension, undercarriage hook (Mod 4449—S.O.O.)	1	DTD215	C	
		Attaching parts for EA1.20.1247:—				
28D/9133012	A25/3C	Bolt, 2BA	1	—	C	LE7/70
28D/1200119	A25/4C	Bolt, 4BA	1	—	C	LE7/71
28M/1278190	AGS2001C1/86	Nut, 2BA	2	—	C	LE7/72
26DK/10387	AS2806/4/014	Tube, distance (Mod 4449—S.O.O.)	2	T35	C	
28W/9157972	SP126D	Washer (Mod 4449—S.O.O.)	1	—	C	
1060	EEAS27/22HR	Washer	2	—	C	LE7/72A
	EG4.20.715	WING, OUTER, AFT OF SPAR, C/W AIR BRAKE PORT ASSEMBLY	—	—	—	
	EG4.20.716	WING, OUTER, AFT OF SPAR, C/W AIR BRAKE STARBOARD ASSEMBLY	—	—	—	
		Spares for:—				
9755	EA1.20.2075	BRACKET, aileron hinge, outboard (Pre—Mod 5100)	1	DTD300	C/MR	LE1/5
6119210	EA3.20.4227	BRACKET, aileron hinge, outboard (Alt. R80/23—Mod 5100)	1	L92	C	
		Attaching parts for EA1.20.2075 and EA3.20.4227:—				
28D/1013301	AS1248/4C	Bolt, 2BA	4	—	C	LE1/6
28M/9403520	A27CP	Nut, 2BA	4	—	C	LE1/7
28W/9419402	SP13C	Washer (if required)	4	—	C	LE1/7A

MAINPLANE
WING STRUCTURE

Ref. No.	Part No.	Description	1 2 3 4 5 6						No. off	Matl. Spec.	Cl. of Equip M.R. L.M.	Plate No.
			1	2	3	4	5	6				
	EB6.20.1033	. . . CASTING PYLON INSTALLATION AND RIB 3, PORT ASSEMBLY							—	—	—	LE11/6
	EB6.20.1034	. . . CASTING PYLON INSTALLATION AND RIB 3, STARBOARD ASSEMBLY							—	—	—	LE11/7
38053	EA1.20.2973	. . . BRACKET, forward, hydraulic pipe attachment, port							1	L72	C	LE11/9
	EA1.20.2974	. . . BRACKET, forward, hydraulic pipe attachment, starboard							1	L72	—	LE11/10
		Attaching parts for EA1.20.2973 and EA1.20.2974:—										
28D/9419452	A25/3B	. . . Bolt, 4BA							4	—	C	LE11/11
28M/1278189	AGS2001B1	. . . Nut, 4BA							4	—	C	LE11/12
28W/9419474	SP15B	. . . Washer							4	—	C	LE11/12A
38054	EA1.20.2975	. . . BRACKET, aft, hydraulic pipe attachment							1	L72	C	LE11/13
		Attaching parts for EA1.20.2975:—										
28D/9140638	A25/4B	. . . Bolt, 4BA (top)							2	—	C	LE11/14
28D/1011006	A25/5B	. . . Bolt, 4BA (bottom)							2	—	C	LE11/15
28M/1278189	AGS2001B1	. . . Nut, 4BA							4	—	C	LE11/16
25024	EA9.20.1075	. . . Washer, taper (top)							2	—	C/MR	LE11/16A
25025	EA9.20.1077	. . . Washer, taper (bottom)							2	—	C/MR	LE11/16B
38967	EB6.20.877	. . . CASTING, rib 3, for pylon suspension, port							1	L53	—	LE11/17
	EB6.20.878	. . . CASTING, rib 3, for pylon suspension, starboard							1	L53	—	LE11/18
		Attaching parts for EB6.20.877 and EB6.20.878:—										
28D/1214806	A30/4C	. . . Bolt, 2BA							30	—	C	LE11/19
28D/1214805	A30/5C	. . . Bolt, 2BA							16	—	C	LE11/20
28D/1212377	AS1248/8E	. . . Bolt, 1/4" BSF							2	—	C	LE11/21
28D/1212378	AS1248/9E	. . . Bolt, 1/4" BSF							2	—	C	LE11/22
28M/1012015	AGS2001C1/86	. . . Nut, 2BA							46	—	C	LE11/23
40048	EEAS1/4 1/2 C	. . . Screw, 2BA							3	—	C	LE11/24
38061	EEAS1/5 1/2 E	. . . Screw, 1/4" BSF							1	—	C	LE11/25
6219	EEAS1/6 E	. . . Screw, 1/4" BSF							1	—	C	LE11/26
40049	EEAS1/6 1/2 E	. . . Screw, 1/4" BSF							1	—	C	LE11/27
40050	EEAS1/7 1/2 E	. . . Screw, 1/4" BSF							3	—	C	LE11/28
40052	EEAS1/7 1/2 G	. . . Screw, 5/16" BSF							16	—	C	LE11/29
39979	EB6.20.1137	. . . Shim, complete, pylon to spar and rib							1	Lam. Alum	C	LE11/30
28W/9419475	SP15C	. . . Washer							46	—	C	LE11/19A
40053	EEAS36/10	. . . CLIP, tubular, conduit support							1	—	C	LE11/31
		Attaching parts for EEAS36/10:—										
28D/1007979	AS1246/1B	. . . Bolt, 4BA							1	—	C	LE11/32
28M/1278189	AGS2001B1	. . . Nut, 4BA							1	—	C	LE11/33
28W/9419474	SP15B	. . . Washer							1	—	C	LE11/33A

MAINPLANE
WING STRUCTURE

Part Number	1 2 3 4 5 6	Description	No. Off	Mati. Spec.	Plate No.
EA9.20.1325	. . .	PLATE, crutching, tool access Attaching parts for EA9.20.1325 :-	1	-	LE11/34
EA9.20.1337	. . .	Bolt	1	-	LE11/35
-	. . .	Chain, chandelier, 6" long	1	Brass	
-	. . .	Ring, split, 1/2" i/d	2	Brass	
EA9.20.3469	. . .	PLATE, cover, outboard of rib 3 on spar and rib Attaching parts for EA9.20.3469 :-	1	-	LE11/36
A30/4C	. . .	Bolt, 2BA	24	-	LE11/37
SP10C	. . .	Washer	24	-	LE11/37A
EB6.20.637	. . .	PLATE, cover, pylon aperture, port	1	L72	LE11/38
EB6.20.638	. . .	PLATE, cover, pylon aperture, starboard	1	L72	LE11/40
EB6.20.1085	. . .	PLATE, reinforcing on outer skin, port	1	L72	LE11/39
EB6.20.1086	. . .	PLATE, reinforcing on outer skin, starboard Attaching parts for EB6.20.637, EB6.20.1085, EB6.20.638 and EB6.20.1086 :- See attaching parts for EB6.20.877 and EB6.20.878 on page LE.20	1	L72	LE11/41
EA6.20.143	. . .	RIB, NO. 3 TRAILING EDGE, PORT ASSEMBLY	1	-	LE11/42
EA6.20.144	. . .	RIB, NO. 3 TRAILING EDGE, STARBOARD ASSEMBLY Spares for :-	1	-	LE11/43
EA1.20.2189	BOLT, adjuster air brake roller	1	-	LE11/44
EA1.20.2195	BRACKET, adjuster, air brake roller Attaching parts for EA1.20.2195 :-	1	-	LE11/45
EA1.20.2187	Bolt	1	-	LE11/46
EA1.20.2227	Bush, spacing	1	-	LE11/47
A27ES	Nut, 1/4" BSF	1	-	LE11/48
SP16E	Washer	1	-	LE11/48A
EA1.20.2191	ROLLER, adjustable, air brake Attaching parts for EA1.20.2191 :-	1	-	LE11/49
EA1.20.2183	Bolt	1	-	LE11/50
EA1.20.2939	Bush, spacing	1	-	LE11/51
A27GS	Nut, 5/16" BSF	1	-	LE11/52
SP16G	Washer	1	-	LE11/52A
EA1.20.2193	ROLLER, air brake Attaching parts for EA1.20.2193 :-	2	-	LE11/53
EA1.20.2185	Bolt	1	-	LE11/54
EA1.20.2229	Bush, spacing	1	-	LE11/55
A27GS	Nut, 5/16" BSF	1	-	LE11/56
SP16G	Washer	1	-	LE11/56A
EA9.20.1041	TUBE, guide crutching	1	S11	LE11/57

R

MAINPLANE
WING STRUCTURE

Part Number	Description	No. Off	Mtl. Spec.	Plate No.
EA1.20.2139	. . CHANNEL-DRAG, bottom No. 1 from inboard port (Make from Ref. 20795)	1	—	
EA1.20.2140	. . CHANNEL-DRAG, bottom No. 1 from inboard starboard (Make from Ref. 20795)	1	—	
EA1.20.2143	. . CHANNEL-DRAG, bottom No. 2 from inboard port (Make from Ref. 20795)	1	—	
EA1.20.2144	. . CHANNEL-DRAG, bottom No. 2 from inboard starboard (Make from Ref. 20795)	1	—	
EA1.20.2145	. . CHANNEL-DRAG, bottom No. 3 from inboard port (Make from Ref. 20795)	1	—	
EA1.20.2146	. . CHANNEL-DRAG, bottom No. 3 from inboard starboard (Make from Ref. 20795)	1	—	
EA1.20.2149	. . CHANNEL-DRAG, bottom No. 4 from inboard port (Make from Ref. 20795)	1	—	
EA1.20.2150	. . CHANNEL-DRAG, bottom No. 4 from inboard starboard (Make from Ref. 20795)	1	—	
EA1.20.2151	. . CHANNEL-DRAG, bottom No. 5 from inboard port (Make from Ref. 20795)	1	—	
EA1.20.2152	. . CHANNEL-DRAG, bottom No. 5 from inboard starboard (Make from Ref. 20795)	1	—	
EA1.20.2155	. . CHANNEL-DRAG, bottom No. 6 from inboard port (Make from Ref. 20795)	1	—	
EA1.20.2156	. . CHANNEL-DRAG, bottom No. 6 from inboard starboard (Make from Ref. 20795)	1	—	
EA1.20.2109	. . CHANNEL-DRAG, top No. 1 from inboard port (Make from Ref. 20795)	1	—	
EA1.20.2110	. . CHANNEL-DRAG, top No. 1 from inboard starboard (Make from Ref. 20795)	1	—	
EA1.20.2115	. . CHANNEL-DRAG, top No. 2 from inboard port (Make from Ref. 20795)	1	—	
EA1.20.2116	. . CHANNEL-DRAG, top No. 2 from inboard starboard (Make from Ref. 20795)	1	—	
EA1.20.2119	. . CHANNEL-DRAG, top No. 3 from inboard port (Make from Ref. 20795)	1	—	
EA1.20.2120	. . CHANNEL-DRAG, top No. 3 from inboard starboard (Make from Ref. 20795)	1	—	
EA1.20.2157	. . CHANNEL-DRAG, bottom No. 7 from inboard port (Make from Ref. 6613)	1	—	
EA1.20.2158	. . CHANNEL-DRAG, bottom No. 7 from inboard starboard (Make from Ref. 6613)	1	—	
EA1.20.2161	. . CHANNEL-DRAG, bottom No. 8 from inboard port (Make from Ref. 6613)	1	—	
EA1.20.2162	. . CHANNEL-DRAG, bottom No. 8 from inboard starboard (Make from Ref. 6613)	1	—	
EA1.20.2163	. . CHANNEL-DRAG, bottom No. 9 from inboard port (Make from Ref. 6613)	1	—	
EA1.20.2164	. . CHANNEL-DRAG, bottom No. 9 from inboard starboard (Make from Ref. 6613)	1	—	
EA1.20.2167	. . CHANNEL-DRAG, bottom No. 10 from inboard port (Make from Ref. 6613)	1	—	

MAINPLANE
WING STRUCTURE

Ref. No.	Part No.	Description	No. off	Matl. Spec.	Cl. of Equip M.R. L.M.	Plate No.
9606	EA1.20.2168	. . . CHANNEL-DRAG, bottom No. 10 from inboard starboard (Make from Ref. 6613)	1	—	—	
9607	EA1.20.2169	. . . CHANNEL-DRAG, bottom No. 11 from inboard port (Make from Ref. 6613)	1	—	—	
9608	EA1.20.2170	. . . CHANNEL-DRAG, bottom No. 11 from inboard starboard (Make from Ref. 6613)	1	—	—	
9611	EA1.20.2173	. . . CHANNEL-DRAG, bottom No. 12 from inboard port (Make from Ref. 6613)	1	—	—	
9612	EA1.20.2174	. . . CHANNEL-DRAG, bottom No. 12 from inboard starboard (Make from Ref. 6613)	1	—	—	
9575	EA1.20.2121	. . . CHANNEL-DRAG, top No. 4 from inboard port (Make from Ref. 6613)	1	—	—	
9576	EA1.20.2122	. . . CHANNEL-DRAG, top No. 4 from inboard starboard (Make from Ref. 6613)	1	—	—	
9577	EA1.20.2125	. . . CHANNEL-DRAG, top, No. 5 from inboard port (Make from Ref. 6613)	1	—	—	
9578	EA1.20.2126	. . . CHANNEL-DRAG, top No. 5 from inboard starboard (Make from Ref. 6613)	1	—	—	
9579	EA1.20.2127	. . . CHANNEL-DRAG, top No. 6 from inboard port (Make from Ref. 6613)	1	—	—	
9580	EA1.20.2128	. . . CHANNEL-DRAG, top No. 6 from inboard starboard (Make from Ref. 6613)	1	—	—	
9581	EA1.20.2131	. . . CHANNEL-DRAG, top No. 7 from inboard port (Make from Ref. 6613)	1	—	—	
9582	EA1.20.2132	. . . CHANNEL-DRAG, top No. 7 from inboard starboard (Make from Ref. 6613)	1	—	—	
9583	EA1.20.2133	. . . CHANNEL-DRAG, top No. 8, from inboard port (Make from Ref. 6613)	1	—	—	
9584	EA1.20.2134	. . . CHANNEL-DRAG, top No. 8 from inboard starboard (Make from Ref. 6613)	1	—	—	
9585	EA1.20.2137	. . . CHANNEL-DRAG, top No. 9 from inboard port (Make from Ref. 6613)	1	—	—	
9586	EA1.20.2138	. . . CHANNEL-DRAG, top No. 9 from inboard starboard (Make from Ref. 6613)	1	—	—	
621	EA1.20.3147	Attaching parts for channel-drag:— . . . Nut, special	2	DTD683	C	LE2/1
9613	EA1.20.2207	. . . COVER, drag-channel end	9	—	C/MR	LE2/2
4830	EA1.20.2209	. . . COVER, drag-channel end	12	—	C/MR	LE2/3
	EA3.20.3945	. . . DOOR, ACCESS, BETWEEN RIBS 1 AND 2A, OUTER WING, BOTTOM SKIN, PORT (ALT. R60/313—MOD 5100)	—	—	—	
	EA3.20.3946	. . . DOOR, ACCESS, BETWEEN RIBS 1 AND 2A, OUTER WING, BOTTOM SKIN, STARBOARD (ALT. R60/313—MOD 5100) Spares for:—	—	—	—	
	EA3.20.3947	. . . DOOR, access for hydraulic pipes Attaching parts for EA3.20.3947:—	1	L73	LM	
1468	EEAS1/2C	. . . Screw, 2BA	28	S96	C	

MAINPLANE
WING STRUCTURE

Ref. No.	Part No.	Description	No. off	Matl. Spec.	Cl. of Equip M.R. L.M.	Plate No.
9463	EA3.20.253	FRAME, AIR BRAKE, RIB 2-2B, ASSEMBLY Spares for:—	1	—	—	LE2/4
20806	EA1.20.2057	CROSSHEAD, drag-channel Attaching parts for EA1.20.2057:—	1	DTD683	B/MR	LE2/5
28M/4095827	AGS2002E3	Nut, 1/4" BSF	2	—	C	LE2/6
28W/9419405	SP15E	Washer	2	—	C	LE2/6A
	EA3.20.255	PLATE, SIDE, ASSEMBLY Spares for:—	2	—	MR	LE2/7
17847	EA1.20.2065	HOUSING, bearing, assembly	1	—	C/MR	LE2/8
20805	EA1.20.2055	TUBE, bracing	1	—	C/MR	LE2/9
9580	EA1.20.2069	FRAME, AIR BRAKE, RIB 2-3 ASSEMBLY Spares for:—	2	—	—	LE2/10
20806	EA1.20.2057	CROSSHEAD, drag-channel Attaching parts for EA1.20.2057:—	2	DTD683	B/MR	LE2/5
28M/4095827	AGS2002E3	Nut, 1/4" BSF	2	—	C	LE2/6
28W/9419405	SP15E	Washer	2	—	C	LE2/6A
20804	EA1.20.2045	PLATE, SIDE, ASSEMBLY Spares for:—	2	—	MR	LE2/11
17847	EA1.20.2065	HOUSING, bearing assembly	2	—	C/MR	LE2/8
20805	EA1.20.2055	TUBE, bracing	2	—	B/MR	LE2/9
9561	EA3.20.263	FRAME, AIR BRAKE, RIB 3-3B, PORT ASSEMBLY	1	—	MR	LE2/12
9562	EA3.20.264	FRAME, AIR BRAKE, RIB 3-3B, STARBOARD ASSEMBLY Spares for:—	1	—	MR	LE2/13
20806	EA1.20.2057	CROSSHEAD, drag-channel Attaching parts for EA1.20.2057:—	2	DTD683	B/MR	LE2/5
28M/4095827	AGS2002E3	Nut, 1/4" BSF	2	—	C	LE2/6
28W/9419405	SP15E	Washer	2	—	C	LE2/6A
17844	EA1.20.2047	PLATE, SIDE, ASSEMBLY Spares for:—	1	—	MR	LE2/14
17847	EA1.20.2065	HOUSING, bearing assembly	2	—	C/MR	LE2/8
18234	EA3.20.261	PLATE, SIDE, PORT ASSEMBLY	1	—	—	LE2/15
18235	EA3.20.262	PLATE, SIDE, STARBOARD ASSEMBLY Spares for:—	1	—	—	LE2/16
9755	EA1.20.2075	BUSH, jack lever attachment	1	—	C	LE2/17
17847	EA1.20.2065	HOUSING, bearing assembly	2	—	C/MR	LE2/18
	EA3.20.259	LEVER, jack, operating Attaching parts for EA3.20.259:—	1	—	—	LE2/19
28D/1215682	A59/3E	Bolt, 1/4" BSF	9	—	C	LE2/20
28M/4095947	A58ES	Nut, 1/4" BSF	9	—	C	LE2/21
28W/9419405	SP15E	Washer	18	—	C	LE2/21A
17848	EA1.20.2077	TUBE, bracing	2	—	C/MR	LE2/22

MAINPLANE
WING STRUCTURE

Part Number	1 2 3 4 5 6	Description	No. Off	Matl. Spec.	Plate No.
EA1.20.2071	. .	FRAME, AIR BRAKE, RIB 3B - 4 ASSEMBLY Spares for :-	2	-	LE2/23
EA1.20.2057	. . .	CROSSHEAD, drag channel Attaching parts for EA1.20.2057 :-	2	-	LE2/5
AGS2002E3	. . .	Nut, 1/4" BSF	2	-	LE2/6
SP15E	. . .	Washer	2	-	LE2/6A
EA1.20.2047	. . .	PLATE, SIDE ASSEMBLY Spares for :-	2	-	LE2/14
EA1.20.2065	HOUSING, bearing assembly	2	-	LE2/8
EA1.20.2077	. . .	TUBE, bracing Attaching parts for EA3.20.253, EA3.20.264, EA1.20.2069 and EA1.20.2071 :-	2	-	LE2/22
EEAS37/9A	. .	Nipple, 2BA	8	S11	
EEAS37/15A	. .	Nipple, 2BA	8	S11	
EEAS38/2A	. .	Spoke, 2BA (Make from Ref. 28R/6124)	4	S11	
EA3.20.367	. .	HINGE, AILERON CENTRE, ASSEMBLY Spares for :-	1	-	LE1/8
EA1.20.325	. . .	BRACKET, aileron, centre hinge Attaching parts for EA1.20.325 :-	1	DTD683	LE1/9
EA1.20.511	Bolt, special	1	S11	LE1/10
EA1.20.1433	Nut, special (Make from A27QT)	1	-	LE1/11
SP90G12	Pin, split, 1/8" dia	1	-	LE1/11A
EA3.20.375	Washer, special	2	DTD683	LE1/12
EA1.20.693	. . .	BRACKET, aileron, shroud angle attachment Attaching parts for EA1.20.693 :-	2	-	LE1/13
A25/4C	Bolt, 2BA	2	-	LE1/14
A27CS	Nut, 2BA	2	-	LE1/15
EA1.20.1097	Shim	2	-	LE1/16
EA3.20.371	. . .	FITTING CENTRE HINGE ASSEMBLY Spares for :-	1	-	LE1/17
RANSOME & MARLES CK 5/8"	BALL-RACE	1	-	LE1/18
EA3.20.373	RING, retaining Attaching parts for EA3.20.367 :-	1	-	LE1/19
A59/15J	. .	Bolt, 3/8" BSF (Alt R60/95 RI)	4	-	LE1/20

R

R

MAINPLANE
WING STRUCTURE

Part Number	Description	No. Off	Mati. Spec.	Plate No.
EG4.20.507	. . . HOOKS WINCHING AND SUPPORT STRUCTURE PORT INSTALLATION	-	-	LE11/58
EG4.20.508	. . . HOOKS WINCHING AND SUPPORT STRUCTURE STARBOARD INSTALLATION	-	-	LE11/59
EG4.20.509 HOOK WINCHING AND BRACKET OUTBOARD PORT ASSEMBLY	1	-	LE11/60
EG4.20.510 HOOK WINCHING AND BRACKET OUTBOARD STARBOARD ASSEMBLY	1	-	LE11/61
EG4.20.511 HOOK WINCHING AND BRACKET INBOARD PORT ASSEMBLY	1	-	LE11/62
EG4.20.512 HOOK WINCHING AND BRACKET INBOARD STARBOARD ASSEMBLY	1	-	LE11/63
EG4.20.403 HOOK ASSEMBLY Spares for :-	1	-	LE11/64
EG4.20.405 BRACKET	1	-	LE11/65
EG4.20.407 COLLAR	1	-	LE11/66
EG4.20.415 HOOK	1	-	LE11/67
A27JT NUT, 3/8" BSF	1	-	LE11/68
EG4.20.409 PIN, special	1	-	LE11/65A
SP28K8 PIN, taper	1	-	LE11/66A
EG4.20.413 PLUNGER	1	-	LE11/69
EG4.20.411 SPRING	-	-	LE11/70
	Attaching parts for EG4.20.403 :-			
A25/2C Bolt, 2BA	8	-	LE11/71
AGS2001C1 Nut, 2BA	8	-	LE11/72
SP16C Washer	8	-	LE11/72A
EG4.20.515 PANEL LAND INBOARD, PORT ASSEMBLY	1	-	LE11/73
EG4.20.516 PANEL LAND, INBOARD STARBOARD ASSEMBLY	1	-	LE11/74
	Spares for :-			
DZUS S3/175 SPRING	2	-	LE11/75
EG4.20.517 PANEL LAND OUTBOARD, PORT ASSEMBLY	1	-	LE11/76
EG4.20.518 PANEL LAND OUTBOARD, STARBOARD ASSEMBLY	1	-	LE11/77
	Spares for :-			
DZUS S3/175 SPRING	2	-	LE11/75
EG4.20.519 PANEL ACCESS ASSEMBLY	2	-	LE11/78
	Spares for :-			
DZUS AJ3/40 FASTENER	2	-	LE11/79
DZUS GH3 GROMMET, half	2	-	LE11/80
EA1.20.2091	. . . HOUSING, ballrace airbrake cross tube assembly	2	-	LE2/24
	Attaching parts for EA1.20.2091 :-			
A61/2C	. . . Bolt 2BA	6	-	LE2/25

MAINPLANE
WING STRUCTURE

Part Number	1 2 3 4 5 6	Description	No. Off	Mtl. Spec.	Plate No.
EA1.20.373	.	MEMBER TORQUE REAR WALL PORT ASSEMBLY	-	-	
EA1.20.374	.	MEMBER TORQUE REAR WALL STARBOARD ASSEMBLY	-	-	
		Spares for :-			
EA3.20.2079	...	BRACKET, aileron hinge, inboard (Pre-Mod 5100)	1	DTD300	LE1/21
EA3.20.4229	...	BRACKET, aileron hinge, inboard (Alt.R60/23-Mod 5100)	1	L92	
EA1.20.425	...	BRACKET, flap, shroud rib 4BA, port	1	-	
EA1.20.426	...	BRACKET, flap, shroud rib 4BA, starboard	1	-	
EA1.20.1753	...	BRACKET, flap, shroud rib 3B, outer, port	1	-	
EA1.20.430	...	BRACKET, flap, shroud rib 3B, outer, starboard	1	-	
EA1.20.659	...	BRACKET, flap, shroud rib 3B, inner, port	1	-	
EA3.20.2301	...	BRACKET, flap, shroud rib 3B, inner, starboard	1	-	
EA1.20.657	...	BRACKET, flap, shroud rib 3, port	1	-	
EA1.20.658	...	BRACKET, flap, shroud rib 3, starboard	1	-	
EA1.20.629	...	BRACKET, flap, shroud rib 2B, port	1	-	
EA1.20.630	...	BRACKET, flap, shroud rib 2B, starboard	1	-	
EA3.20.2299	...	BRACKET, flap, shroud rib 2, outer, port	1	-	
EA1.20.661	...	BRACKET, flap, shroud rib 2, outer, starboard	1	-	
EA1.20.395	...	BRACKET, flap, shroud rib 2, inner, port	1	-	
EA1.20.396	...	BRACKET, flap, shroud rib 2, inner, starboard	1	-	
EA1.20.413	...	BRACKET, flap, shroud rib 2A, port	1	-	
EA1.20.414	...	BRACKET, flap, shroud rib 2A, starboard	1	-	
EA1.20.753	...	BRACKET, LEVER, PORT ASSEMBLY (PRE-MOD 5105)	1	-	LE4/21
EA1.20.11077	...	BRACKET, LEVER, PORT ASSEMBLY (MOD 5105)	1	-	
EA1.20.755	...	BRACKET, LEVER, STARBOARD ASSEMBLY (PRE-MOD 5105)	1	-	LE4/22
EA1.20.11079	...	BRACKET, LEVER, STARBOARD ASSEMBLY (MOD 5105)	1	-	
		Spares for :-			
EA1.20.763	...	BRACKET, lever, port (Pre-Mod 5105)	1	-	
EA3.20.5175	...	BRACKET, lever, port (Mod 5105)	1	-	
EA1.20.765	...	BRACKET, lever, starboard (Pre-Mod 5105)	1	-	
EA3.20.5177	...	BRACKET, lever, starboard (Mod 5105)	1	-	
EA1.20.771	...	BUSH (Pre-Mod 5105)	1	-	
EA3.20.5187	...	BUSH (Matched Pair) (Mod 5105)	2	S82	
EA1.20.735	...	LEVER, BELLCRANK, FLAP OPERATION ASSEMBLY	1	-	LE4/23
		Spares for :-			
EA1.25.65	...	BOLT, special	1	S11	LE4/3
EA1.20.739	...	BUSH	1	DTD625	LE4/4
EA1.20.741	...	BUSH	1	DTD625	LE4/5
EA1.20.745	...	BUSH	1	DTD625	LE4/6
EA1.20.737	...	LEVER, bellcrank	1	DTD683	LE4/7
SP21	...	NIPPLE, lubricating	1	-	LE3/33
A27JS	...	NUT, 3/8" BSF	1	-	LE4/24
SP90C8	...	PIN, split	1	-	LE4/37
EA1.20.743	...	WASHER, special	2	L64	LE4/9
EEAS5	...	WASHER, red fibre	1	BSS216	LE4/35
EEAS28/37EU	...	WASHER, special	1	BTD124	LE4/36
		Attaching parts for EA1.20.735 :-			
A27SS	...	Nut, 3/8" BSF	1	-	LE4/10
SP90H13	...	Pin, split	1	-	LE4/10B
SP15S	...	Washer (Pre-Mod 5105)	1	-	LE4/10A
SP124S	...	Washer (Mod 5105)	1	-	

R

MAINPLANE
WING STRUCTURE

Part Number	Description	No. Off	Mati. Spec.	Plate No.
EA1.20.749	SPINDLE LEVER Spares for :- (Repair)	1	-	LE4/32
ASD514RS1	WASHER, special 22 SWG	-	S520	
ASD514RS2	WASHER, special 24 SWG	-	S520	
ASD514RS3	WASHER, special 26 SWG	-	S520	
ASD514RS4	WASHER, special 28 SWG	-	S520	
ASD514RS5	WASHER, special 30 SWG	-	S520	
EA1.20.757	BRACKET, LEVER, PORT ASSEMBLY (PRE-MOD 5105)	1	-	LE4/25
EA1.20.11081	BRACKET, LEVER, PORT ASSEMBLY (MOD 5105)	1	-	
EA1.20.759	BRACKET, LEVER, STARBOARD ASSEMBLY (PRE-MOD 5105)	1	-	LE4/26
EA1.20.11083	BRACKET, LEVER, STARBOARD ASSEMBLY (MOD 5105)	1	-	
EA1.20.767	BRACKET, lever port (Pre-Mod 5105)	1	-	
EA3.20.5179	BRACKET, lever, port (Mod 5105)	1	-	
EA1.20.769	BRACKET, lever, starboard (Pre-Mod 5105)	1	-	
EA3.20.5181	BRACKET, lever, starboard (Mod 5105)	1	-	
EA1.20.771	BUSH (Pre-Mod 5105)	1	-	
EA3.20.5187	BUSH (Matched Pair) (Mod 5105)	2	S82	
EA1.20.735	LEVER, BELLCRANK FLAP OPERATION ASSEMBLY Spares for :-	1	-	LE4/2
EA1.25.65	BOLT, special	1	S11	LE4/3
EA1.20.739	BUSH	1	DTD625	LE4/4
EA1.20.741	BUSH	1	DTD625	LE4/5
EA1.20.745	BUSH	1	DTD625	LE4/6
EA1.20.737	LEVER, bellcrank	1	DTD683	LE4/7
SP21	NIPPLE, lubricating	1	-	LE4/33
A27JS	NUT, 3/8" BSF	1	-	LE4/24
SP90CB	PIN, split	1	-	LE4/37
EA1.20.743	WASHER, special	2	L64	LE4/9
EEAS5	WASHER, red fibre	1	BSS216	LE4/35
EEAS28/37EU	WASHER, special	1	BTD124	LE4/36
A27SS	Attaching parts for EA1.20.735 :- Nut, 1/2" BSF	1	-	LE4/10
SP90H13	Pin, split	1	-	LE4/10B
SP15S	Washer (Pre-Mod 5105)	1	-	LE4/10A
SP124S	Washer (Mod 5105)	1	-	
EA1.20.749	SPINDLE LEVER Spares for :- (Repair)	1	-	LE4/32
ASD514RS1	WASHER, special 22 SWG	-	S520	
ASD514RS2	WASHER, special 24 SWG	-	S520	
ASD514RS3	WASHER, special 26 SWG	-	S520	
ASD514RS4	WASHER, special 28 SWG	-	S520	
ASD514RS5	WASHER, special 30 SWG	-	S520	

MAINPLANE
WING STRUCTURE

Part Number	Description	No. Off	Mati. Spec.	Plate No.	
					1
EA6.20.223	. . . PANEL, access, air brake, port	1	—	LE5/40	
EA6.20.224	. . . PANEL, access air brake, starboard	1	—	LE5/41	
EEAS1/2C	. . . Attaching parts for EA6.20.223 and EA6.20.224 :— Screw, 2BA	40	S96	LE5/42	
EA1.20.2351	. . . PANEL, access air brake, port	1	—	LE5/43	
EA1.20.2352	. . . PANEL, access, air brake, starboard	1	—	LE5/44	
EEAS1/2C	. . . Attaching parts for EA1.20.2351 and EA1.20.2352 :— Screw, 2BA	30	S96	LE5/45	
EEAS1/2½C	. . . Screw, 2BA	11	S96	LE5/46	
EG4.20.31	. . . PANEL, SKIN, ASSEMBLY, TOP PORT	—	—	LE6/23	
EG4.20.32	. . . PANEL, SKIN, ASSEMBLY, TOP STARBOARD	—	—	LE6/24	
EA1.20.189	. . . BRACKET, eye-bolt	18	—	LE6/25	
EA1.20.5321	. . . EYE-BOLT Attaching parts for EA1.20.5321 :—	18	—	LE6/26	
EA1.20.5325	. . . Bolt, special	1	—	LE6/27	
AGS2002C1	. . . Nut, 2BA	1	—	LE6/28	
SP15C	. . . Washer	1	—	LE6/29	
EA1.20.2081	. . . ROLLER, BRACKET, ASSEMBLY BETWEEN RIBS 2 AND 3 Spares for :—	3	—	LE5/25	
A25/15C BOLT, 2BA	1	—	LE2/30	
EA1.20.2083 BRACKET	1	—	LE2/31	
EA1.20.2085 BUSH, spacing	1	—	LE2/32	
A27CS NUT, 2BA	1	—	LE2/33	
SP90C6 PIN, split	1	—	LE2/34	
EA1.20.2087 ROLLER, oilite	2	—	LE2/26	
AS2811/7/044 TUBE, distance 17 SWG	1	T4	LE2/35	
SP15C WASHER	1	—	LE2/36	
EA1.20.2213 ROLLER, BRACKET, ASSEMBLY BETWEEN RIBS 3 AND 4 Spares for :—	6	—	LE2/27	
A25/15C BOLT, 2BA	1	—	LE2/37	
EA1.20.2215 BRACKET	1	—	LE2/38	
EA1.20.2085 BUSH, spacing	1	—	LE2/39	
A27CS NUT, 2BA	1	—	LE2/40	
SP90C6 PIN, split	1	—	LE2/41	
EA1.20.2087 ROLLER, oilite	2	—	LE2/26	
AS2811/7/044 TUBE, distance	1	T4	LE2/42	
SP15C WASHER	1	—	LE2/43	
AGS2001C1/66 Attaching parts for EA1.20.2081 and EA1.20.2213 :— Nut, 2BA	3	—	LE2/28	
EEAS1/2C Screw, 2BA	3	—	LE2/29	
SP15C Washer	3	—	LE2/28A	

R
R
R
R
R
R

MAINPLANE
WING STRUCTURE

Part Number	Description	No. Off	Matl. Spec.	Plate No.
EG4.20.39	. . . PANEL, SKIN ASSEMBLY, BOTTOM, PORT	-	-	
EG4.20.41	. . . PANEL, SKIN ASSEMBLY, BOTTOM STARBOARD	-	-	
	Spares for :-			
EA1.20.189 BRACKET, eye-bolt	30	-	LE5/47
EA1.20.5321 EYE-BOLT	30	-	LE5/48
	Attaching parts for EA1.20.5321 :-			
EA1.20.5325 Bolt, special	1	-	LE5/49
AGS2002C1 Nut, 2BA	1	-	LE5/50
SP13C Washer	1	-	LE5/51
EA1.20.2081 ROLLER, BRACKET, ASSEMBLY BETWEEN RIBS 3 AND 4	6	-	LE2/25
	Spares for :-			
A25/15C BOLT, 2BA	1	-	LE2/30
EA1.20.2083 BRACKET	1	-	LE2/31
EA1.20.2085 BUSH, spacing	1	-	LE2/32
A27CS NUT, 2BA	1	-	LE2/33
SP90C6 PIN, split	1	-	LE2/34
EA1.20.2087 ROLLER, oilite	2	-	LE2/26
AS2811/7/044 TUBE, distance	1	T4	LE2/35
SP15C WASHER	1	-	LE2/36
EA1.20.2213 ROLLER BRACKET, ASSEMBLY BETWEEN RIBS 2 AND 3	6	-	LE2/27
	Spares for :-			
A25/15C BOLT, 2BA	1	-	LE2/37
EA1.20.2215 BRACKET	1	-	LE2/38
EA1.20.2085 BUSH, spacing	1	-	LE2/39
A27CS NUT, 2BA	1	-	LE2/40
SP90C6 PIN, split	1	-	LE2/41
EA1.20.2087 ROLLER, oilite	2	-	LE2/26
AS2811/7/044 TUBE, distance	1	T4	LE2/42
SP15C WASHER	1	-	LE2/43
	Attaching parts for EA1.20.2081 and EA1.20.2213 :-			
AGS2001C1/66 Nut, 2BA	3	-	LE2/28
EEAS1/2C Screw, 2BA	3	-	LE2/29
EA3.20.2077	. . . PIN, aileron, hinge, inboard	1	S65	LE1/22
EA3.20.2073	. . . PIN, aileron, hinge, outboard	1	S65	LE1/23
	Attaching parts for EA3.20.2077 and EA3.20.2073 :-			
A25/10C	. . . Bolt, 2BA	1	-	LE1/24
A25/13C	. . . Bolt, 2BA	1	-	LE1/25
AGS2001C1/66	. . . Nut, 2BA	1	-	LE1/26
EA3.20.2365	. . . Washer, special	1	L40	LE1/27

MAINPLANE
WING STRUCTURE

Part Number	Description	No. Off	Matl. Spec.	Plate No.
EEAS41/6	. . . PIN, sealing (Mod 5027)	AR	-	
EA3.20.4153	. . . PLATE, cover, internal, bottom skin, port (Mod 5027)	1	L73	
EA3.20.4154	. . . PLATE, cover, internal, bottom skin, starboard (Mod 5027)	1	L73	
EA3.20.4159	. . . PLATE, filler, port (Mod 5027)	1	L65	
EA3.20.4160	. . . PLATE, filler, starboard (Mod 5027)	1	L65	
EA1.20.57	. . . RIB, NO. 4 PORT ASSEMBLY	-	-	
EA1.20.58	. . . RIB, NO. 4 STARBOARD ASSEMBLY	-	-	
	Spares for:-			
EA1.20.687	. . . BOLT, stop aileron	2	S11	LE1/28
EA1.20.689	. . . MOUNTING, aileron stop bolt	1	L40	LE1/29
EA1.20.691	. . . MOUNTING, aileron stop bolt	1	L40	LE1/30
	Attaching parts for EA1.20.689 and EA1.20.691:-			
A25/2C	. . . Bolt	3	-	LE1/29A
A27CT	. . . Nut	3	-	LE1/29B
A27JP	. . . Nut, aileron stop	1	-	LE1/28A
EA1.20.61	. . . RIB 6, ASSEMBLY (REAR) O/W, PORT	1	-	
EA1.20.62	. . . RIB 6, ASSEMBLY (REAR) O/W, STARBOARD	1	-	
	Spares for:-			
EA3.20.309	. . . BRACKET, aileron centre, hinge attachment (Pre-Mod 304) (Pre-Mod 5338)	1	DTD683	
EA3.20.1883	. . . BRACKET, aileron centre hinge attachment (Mod 304) (Pre-Mod 5338)	1	DTD683	
EA3.20.5323	. . . BRACKET, aileron centre hinge attachment (Mod 5338)	1	S97	
EEAS1/3C	. . . SCREW, 2BA	2	S96	
EEAS1/3E	. . . SCREW, 1/4" BSF	22	S96	
EA3.20.4196	. . . SHROUD, OUTBOARD FLAP, PORT ASSEMBLY (MOD 5050) (PRE-MOD 5347)	1	-	
EA3.00.5719	. . . SHROUD, OUTBOARD FLAP, PORT ASSEMBLY (Spares for EA3.20.4196) (MOD 5347)	1	-	LE4/27
EA3.20.4197	. . . SHROUD, OUTBOARD FLAP, STARBOARD ASSEMBLY (MOD 5050) (PRE-MOD 5347)	1	-	
EA3.00.5721	. . . SHROUD, OUTBOARD FLAP, STARBOARD ASSEMBLY (Spares for EA3.20.4197) (MOD 5347)	1	-	LE4/28
	Spares for:-			
EA3.20.2543	. . . PANEL, access port	2	L72	LE4/29
EA3.20.2544	. . . PANEL, access, starboard	2	L72	LE4/30
	Attaching parts for EA3.20.2543 and EA3.20.2544:-			
EEAS1/1C	. . . Screw, 2BA	20	S96	LE4/31
EA3.20.1977	. . . STOP, flap	11	-	LE4/20

R

R

MAINPLANE
WING STRUCTURE

Part Number	Description	No. Off						Matl. Spec.	Plate No.
		1	2	3	4	5	6		
EA3.20.947	. . SHROUD, aileron, inboard, hinged (Supplied with trim allow, and pilot holes) (PRE-MOD 5347)						1	-	
EA3.00.5725	. . SHROUD, aileron inboard, port and starboard (Spares for EA3.20.947) (MOD 5347)						1	-	LE1/31
EA3.20.948	. . SHROUD, aileron, inboard, hinged (Supplied with trim allow, and pilot holes) (PRE-MOD 5347)						1	-	
EA3.00.5726	. . SHROUD, aileron, inboard, port and starboard (Spares for EA3.20.948) (MOD 5347)						1	-	LE1/32
EA3.20.945	. . SHROUD, aileron, outboard, hinged (Supplied with trim allow, and pilot holes) (PRE-MOD 5347)						1	-	
EA3.00.5727	. . SHROUD, aileron, outboard, port and starboard (Spares for EA3.20.945) (MOD 5347)						1	-	LE1/33
EA3.20.946	. . SHROUD, aileron, outboard, hinged (Supplied with trim allow and pilot holes) (PRE-MOD 5347)						1	-	
EA3.00.5728	. . SHROUD, aileron, outboard, port and starboard (Spares for EA3.20.946) (MOD 5347)						1	-	LE1/34
	Attaching parts for EA3.20.947, EA3.20.948, EA3.20.945 and EA3.20.946:-								
AS1242/4C	. . Bolt, 2BA						4	-	LE1/35
AS1243/2C	. . Bolt, 2BA						154	-	LE1/36
AGS2002C3	. . Nut, 2BA						120	-	LE1/37
SNP0164/17/00	. . Nut, spire						34	-	LE1/38
or C/NPA164/7									
EA1.20.3161	. . Piece, packing						6	-	LE1/39
EA3.20.2241	. . Piece, packing						2	-	LE1/40
EEAS1/5E	. . Screw, 1/4" BSF						4	S96	LE1/41
EEAS1/6E	. . Screw, 1/4" BSF						4	-	LE1/42
EA1.20.3145	. . Washer, special						6	-	LE1/43
EA3.20.2239	. . Washer, special						6	Laminated Aluminium	LE1/44
SP15C	. . Washer						128	-	LE1/44A
EA1.20.2089	. . SLEEVE, joint, air brake torque tube Attaching parts for EA1.20.2089:-						2	DTD683	LE2/30
EEAS37/15A	. . Nipple, 2BA						4	S11	
EEAS38/2A	. . Spoke, 2BA (Make from Ref. 28R/6124)						2	S11	
EA1.20.2201	. . TUBE, assembly, inboard, air brake						1	-	LE2/31
EA1.20.2203	. . TUBE, assembly centre air brake						1	-	LE2/32
EA1.20.2205	. . TUBE, assembly, outboard air brake						1	-	LE2/33
EA1.20.4233	. WING, OUTER LEADING EDGE, INBOARD SECTION PORT ASSEMBLY						-	-	
EA1.20.4234	. WING, OUTER LEADING EDGE, INBOARD SECTION Spares for:-						-	-	
EA1.20.5331	. . BRACKET, cantilever, assembly Attaching parts for EA1.20.5331:-						1	-	LE6/30
A25/1C	. . Bolt, 2BA						1	-	LE6/31
A25/2C	. . Bolt, 2BA						1	-	LE6/32
A25/2E	. . Bolt, 1/4" BSF						2	-	LE6/33
A27CP	. . Nut, 2BA						6	-	LE6/36
or AGS2001C1/66									
A27EP	. . Nut, 2BA						6	-	
EEAS1/4C	. . Nut, 1/4" BSF						2	-	LE6/34
SP15C	. . Screw, 4BA						4	-	LE6/37
SP15E	. . Washer						4	-	LE6/38
	. . Washer						2	-	LE6/35

MAINPLANE
WING STRUCTURE

Ref. No.	Part No.	Description 1 2 3 4 5 6	No. off	Matl. Spec.	Cl. of Equip	Plate No.
					M.R. L.M.	
9105	EA1.20.349	. . BRACKET, toggle fastener	1	—	MR	LE6/39
9106	EA1.20.350	. . BRACKET, toggle fastener	1	—	MR	LE6/40
28D/9133012	A25/3C	. . Bolt, 2BA	4	—	C	LE6/41
28M/1006473	A27CT	. . Nut, 2BA	4	—	C	LE6/42
17633	EA1.20.4401	. . Washer	2	—	C	LE6/41A
28W/9419404	SP16C	. . Washer	2	—	C	LE6/42A
12341	EB6.20.45	. . DUCT, air intake, port	1	—	C	LE5/51
12347	EB6.20.46	. . DUCT, air intake, starboard	1	—	C	LE5/53
	EB6.20.77	. . HOSE, rubber air intake connection, 2 3/4" i/d (Make from Ref. 32C/632)	1	DTD625	LM	LE5/54
		Attaching parts for EB6.20.77:—				
28E/4710971	SP91N	. . Clip	2	—	C	
	EEAS66/17 or	. . Ring, clamping	2	—	C	
12343	EB6.20.79	. . Ring, clamping	2	—	C	LE5/55
5655	EB7.20.69	. . PANEL, access, port	1	—	C	LE5/56
5661	EB7.20.70	. . PANEL, access, starboard	1	—	C	LE5/57
		Attaching parts for EB7.20.69 and EB7.20.70:—				
1468	EEAS1/2C	. . Screw, 2BA	31	—	C	LE5/58
1029	EEAS1/4C	. . Screw, 2BA	AR	—	C	LE5/59
5656	EB7.20.71	. . PANEL, access, port	1	—	C	LE5/60
5662	EB7.20.72	. . PANEL, access, starboard	1	—	C	LE7/61
		Attaching parts for EB7.20.71 and EB7.20.72:—				
1032	EEAS1/2E	. . Screw, 1/4" BSF	51	S96	C	LE5/62
1034	EEAS1/3E	. . Screw, 1/4" BSF	14	S96	C	LE5/63
1035	EEAS1/4E	. . Screw, 1/4" BSF	15	—	—	LE5/64
12342	EB6.20.51	. . PIPE, assembly, port	1	—	C	LE6/43
26627	EB6.20.52	. . PIPE, assembly, starboard	1	—	—	LE6/44
		Attaching parts for EB6.20.51 and EB6.20.52:—				
28D/9436920	A25/1C	. . Bolt, 2BA	6	—	C	LE6/45
28M/1012015	AGS2001C1/66	. . Nut, 2BA	6	—	C	LE6/46
28W/9419402	SP13C	. . Washer	6	—	C	LE6/46A
26732	EA1.20.4235	. . SKIN, PORT ASSEMBLY (Supplied to Drg. EA3.00.759, for spares purposes)	1	—	C/MR	LE6/47
26733	EA1.20.4236	. . SKIN, STARBOARD ASSEMBLY (Supplied to Drg. EA3.00.760, for spares purposes)	1	—	C/MR	LE6/48
		Spares for:—				
43935	EA3.20.4161	. . ANGLE, support, port (Mod 5027)	1	L73	MR	
43936	EA3.20.4162	. . ANGLE, support, starboard (Mod 5027)	1	L73	MR	
12339	EB7.20.103	. . COVER, access recuperator, between ribs 1 and 2A, top skin	1	L72	C	LE6/49

MAINPLANE
WING STRUCTURE

Ref. No.	Part No.	Description	No. off	Matl. Spec.	Cl. of Equip M.R. L.M.	Plate No.
3682	EA1.20.5321	. . . EYE-BOLT	37	S96	C	LE6/50
28FP/9539060	DZUS F4/30	. . . FASTENER	4	—	C	
28FP/9483371	DZUS GF4/150	. . . GROMMET	4	—	C	
	EA3.20.4141	. . . PANEL, skin, bottom, assembly, port (Mod 5027) (Make from EA3.20.4135)	1	—	MR	
	EA3.20.4142	. . . PANEL, skin, bottom, assembly, starboard (Mod 5027) (Make from EA3.20.4136)	1	—	MR	
1103	EEAS41/3	. . . PIN, sealing (Mod 5027)	AR	—	C	
1104	EEAS41/4	. . . PIN, sealing (Mod 5027)	AR	—	C	
1106	EEAS41/6	. . . PIN, sealing (Mod 5027)	AR	—	C	
43927	EA3.20.4151	. . . PLATE, cover, internal, bottom skin, port (Mod 5027)	1	L73	MR	
43928	EA3.20.4152	. . . PLATE, cover, internal, bottom skin, starboard (Mod 5027)	1	L73	MR	
43931	EA3.20.4157	. . . PLATE, filler, port (Mod 5027)	1	L65	MR	
43932	EA3.20.4158	. . . PLATE, filler, starboard (Mod 5027)	1	L65	MR	
1565	EEAS1/3½C	. . . SCREW, 2BA (Mod 5027)	21	S96	C	
1030	EEAS1/5C	. . . SCREW, 2BA (Mod 5027)	6	S96	C	
18848	EEAS1/5½C	. . . SCREW, 2BA (Mod 5027)	10	S96	C	
28FP/4062478	DZUS S4/3	. . . SPRING	4	—	C	
28FP/341	DZUS S5/325	. . . SPRING	6	—	C	
	EA3.20.1729	. . . WING OUTER LEADING EDGE, OUTBOARD SECTION PORT ASSEMBLY	—	—	—	
	EA3.20.1731	. . . WING OUTER LEADING EDGE, OUTBOARD SECTION STARBOARD ASSEMBLY	—	—	—	
		Spares for:—				
19609	EA3.20.1725	. . . COVER, assembly, c/w bushes, port	1	—	C	LE6/51
19612	EA3.20.1769	. . . COVER, assembly, c/w bushes, starboard	1	—	C	LE6/52
		Attaching parts for EA3.20.1725 and EA3.20.1769:—				
28D/9709461	AS1242/3C	. . . Bolt, 2BA	38	—	C	LE6/53
19610	EA3.20.1727	. . . Seal, neoprene	1	—	C	LE6/54
	EA3.20.1647	. . . NOSE BAY, NO. 6 SKINS, PORT ASSEMBLY	—	—	—	
	EA3.20.1649	. . . NOSE BAY, NO. 6 SKINS, STARBOARD ASSEMBLY	—	—	—	
		Spares for:—				
4831	EA1.20.189	. . . BRACKET, stringer to rib attachment	29	—	C	LE5/47
16060	EA1.20.4965	. . . BRACKET, stringer to rib attachment	5	—	MR	
3682	EA1.20.5321	. . . EYE-BOLT	34	S96	C	LE5/48
		Attaching parts for EA1.20.5321:—				
28D/1214433	AS4597/3C	. . . Bolt, 2BA	1	—	C	LE5/49
28M/9433473	AGS2002C1	. . . Nut, 2BA	1	—	C	LE5/50
5184	EEAS28/3GR	. . . Washer	1	—	C	LE5/52A
5654	EA3.20.1671	. . . PANEL, access I.L.S. arial	1	—	C	LE5/66
		Attaching parts for EA3.20.1671:—				
1026	EEAS1/1½C	. . . Screw, 2BA	10	S96	C	LE5/67
34170	EA3.20.1651	. . . SKIN, port	1	—	C	LE6/55
26394	EA3.20.1653	. . . SKIN, starboard	1	—	C	LE6/56
1029	EEAS1/4C	. . . SCREW, 2BA	8	S96	C	
18848	EEAS1/5½C	. . . SCREW, 2BA	18	S96	C	

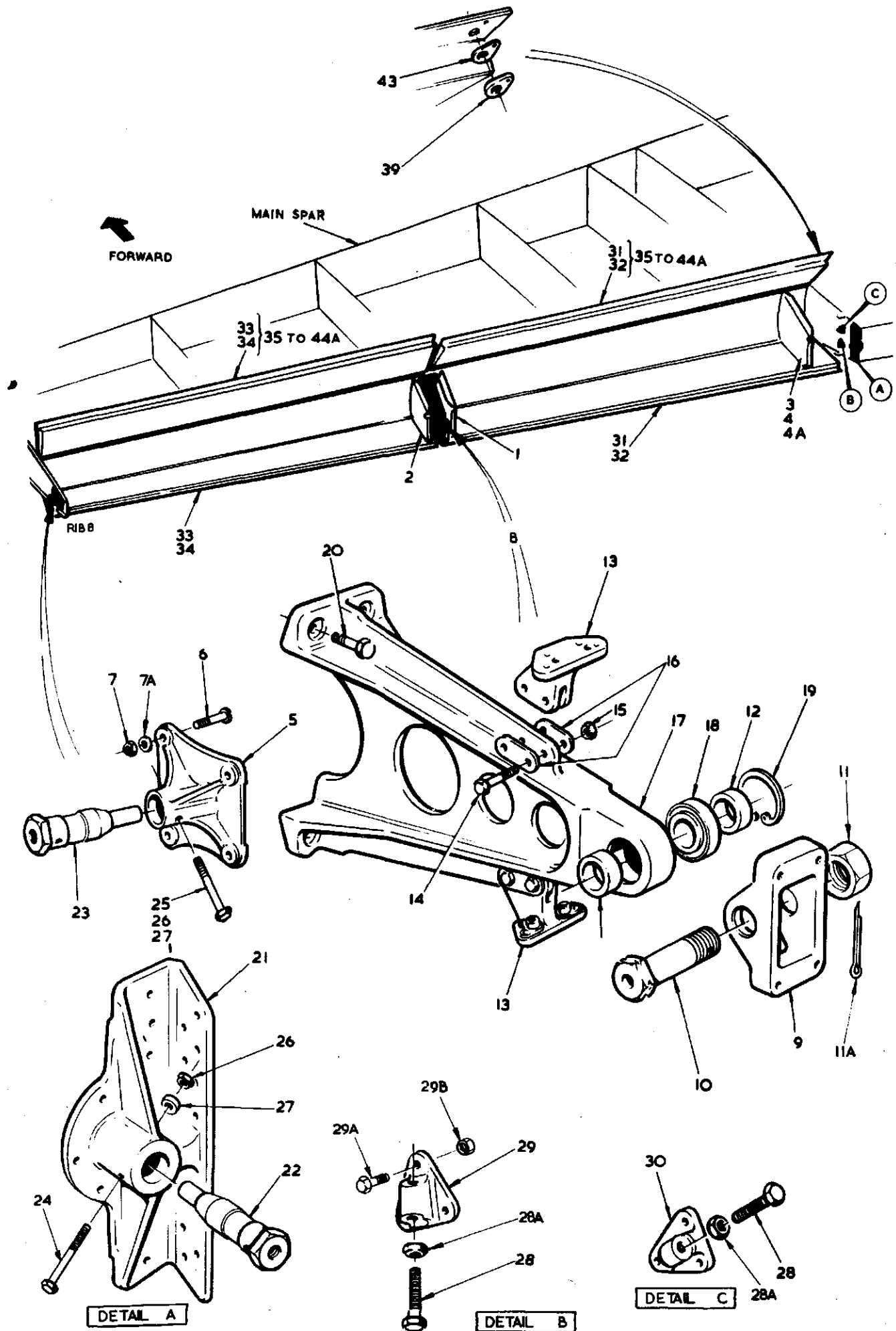


FIG1 WING STRUCTURE

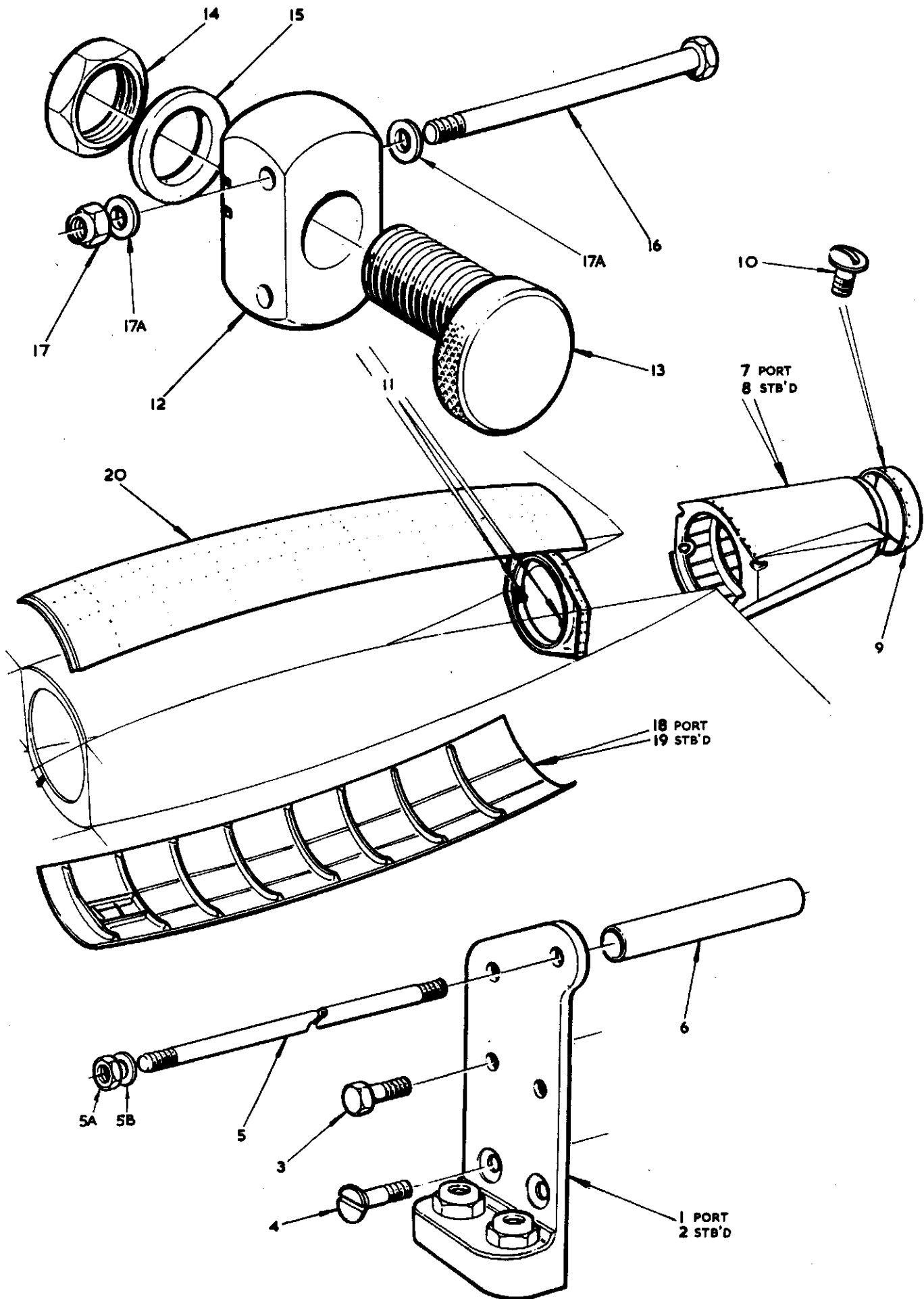


FIG. 3 WING STRUCTURE

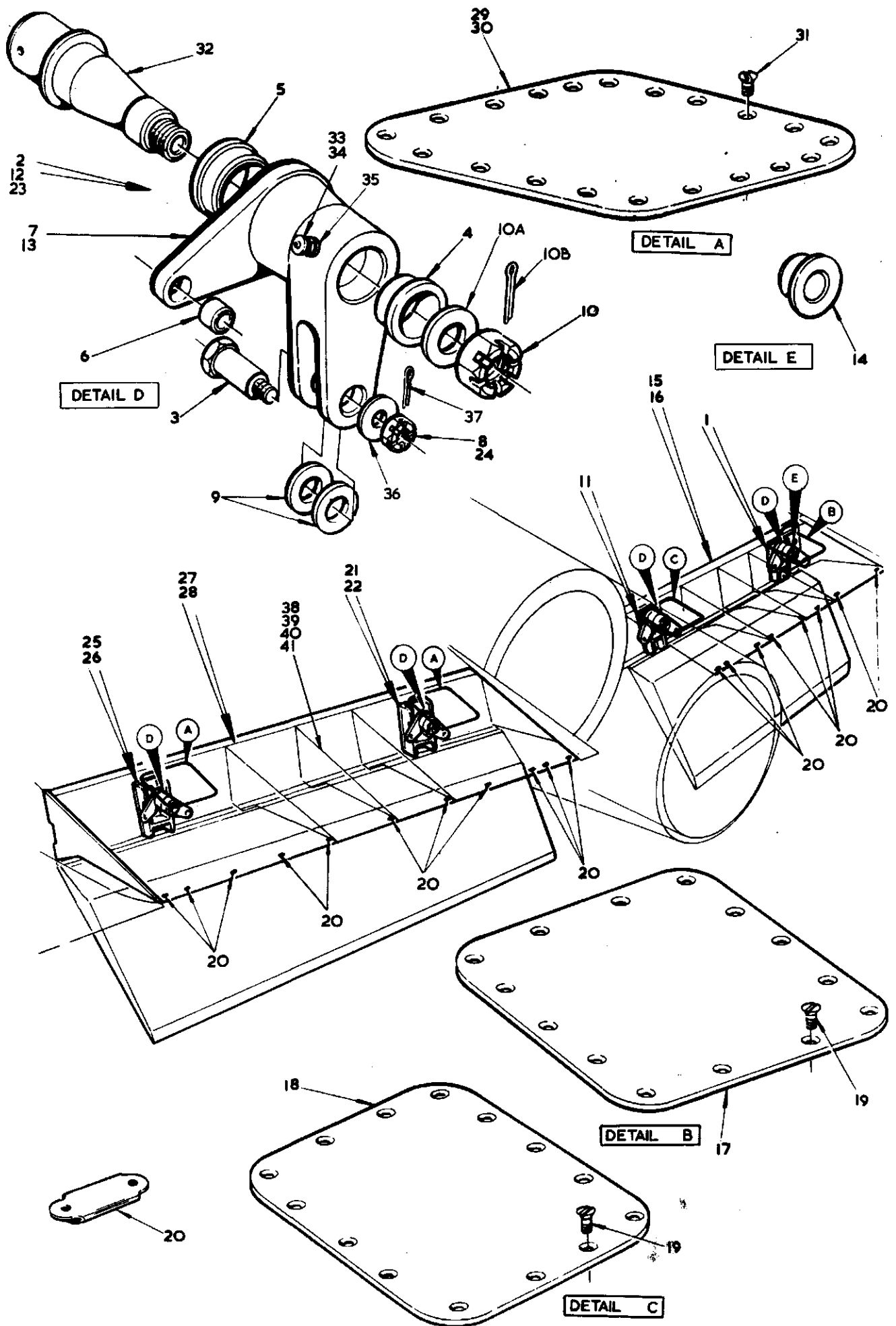


FIG. 4 WING STRUCTURE

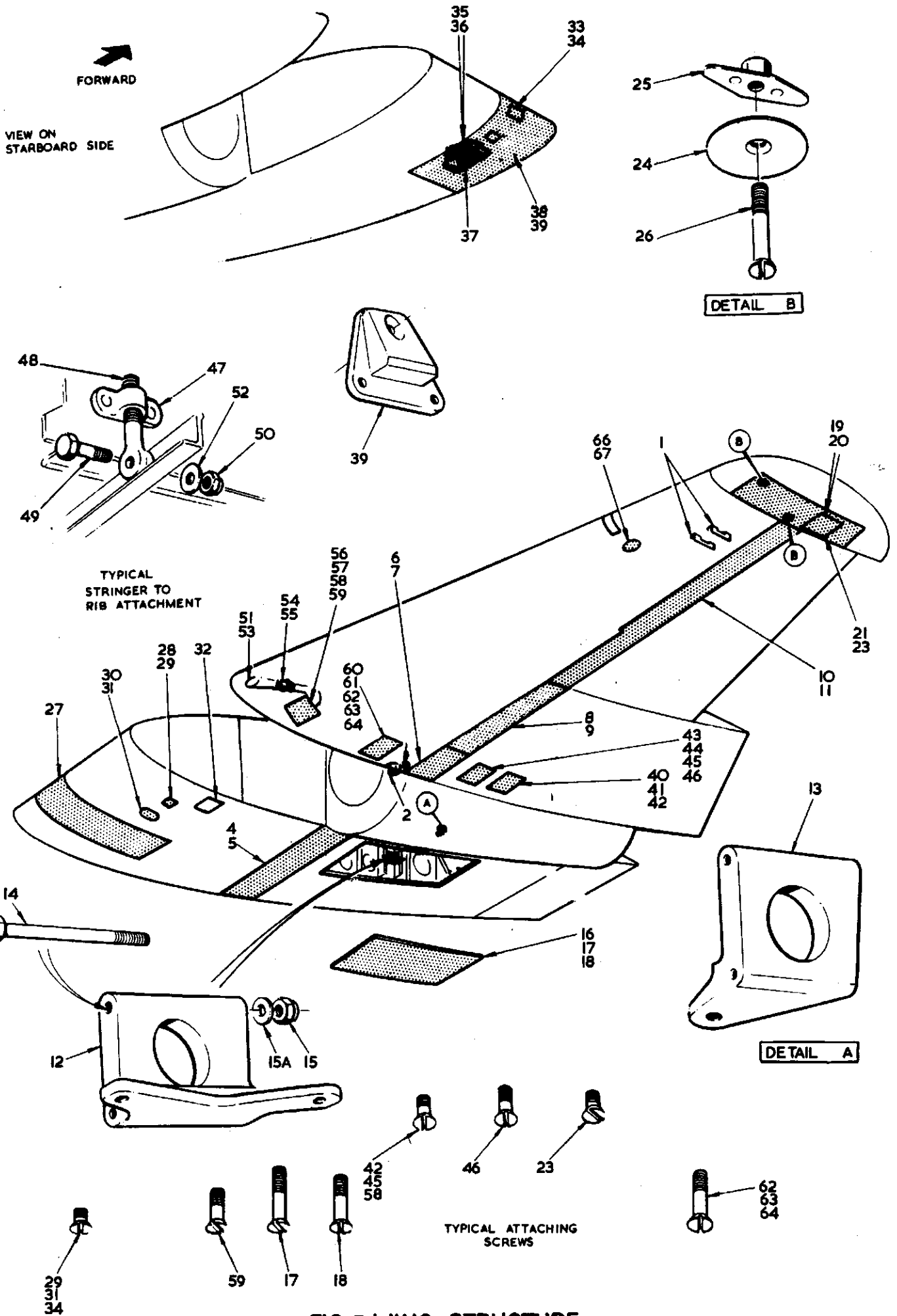


FIG.5 WING STRUCTURE

CODE Z

SECT LE

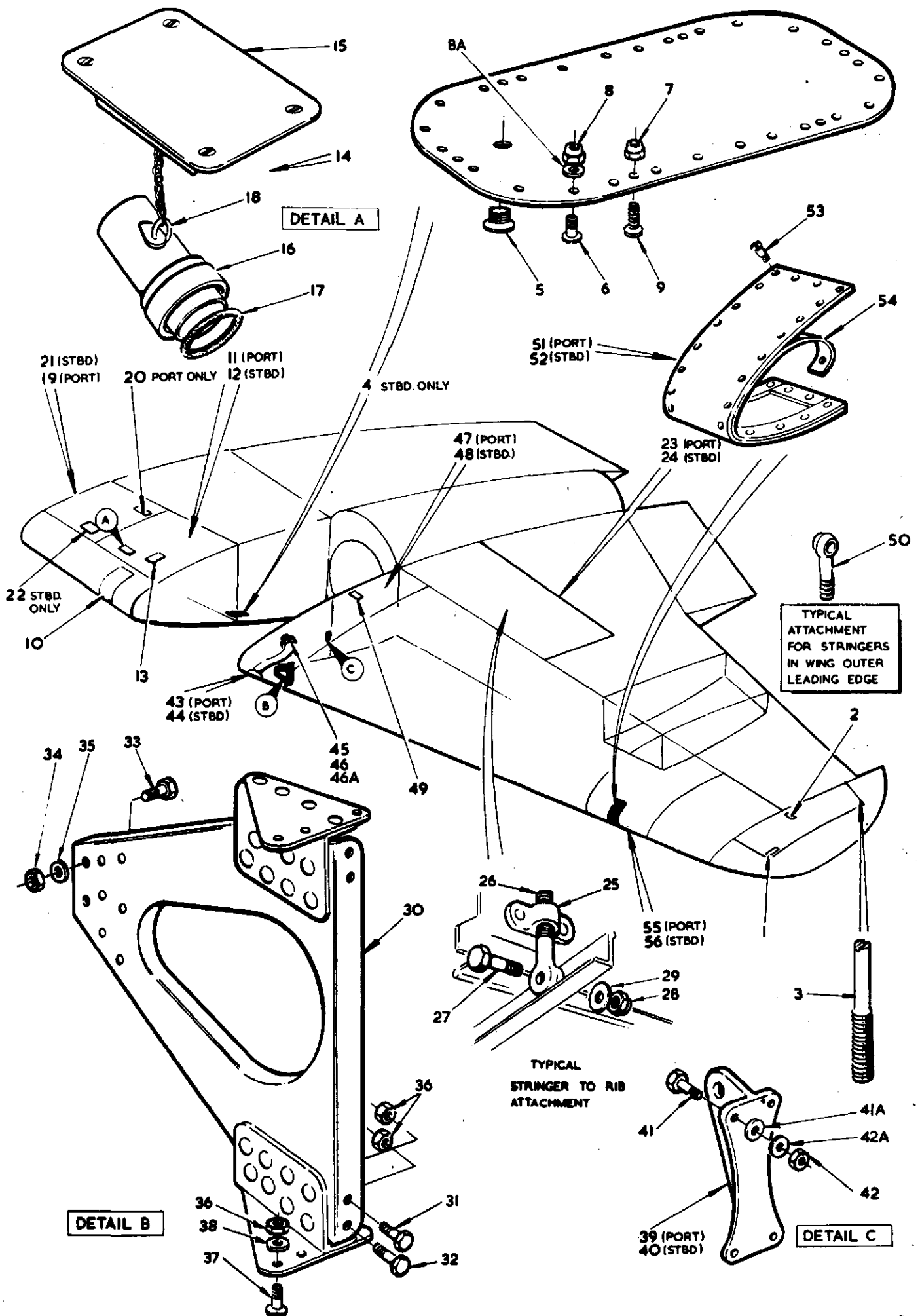


FIG. 6 WING STRUCTURE

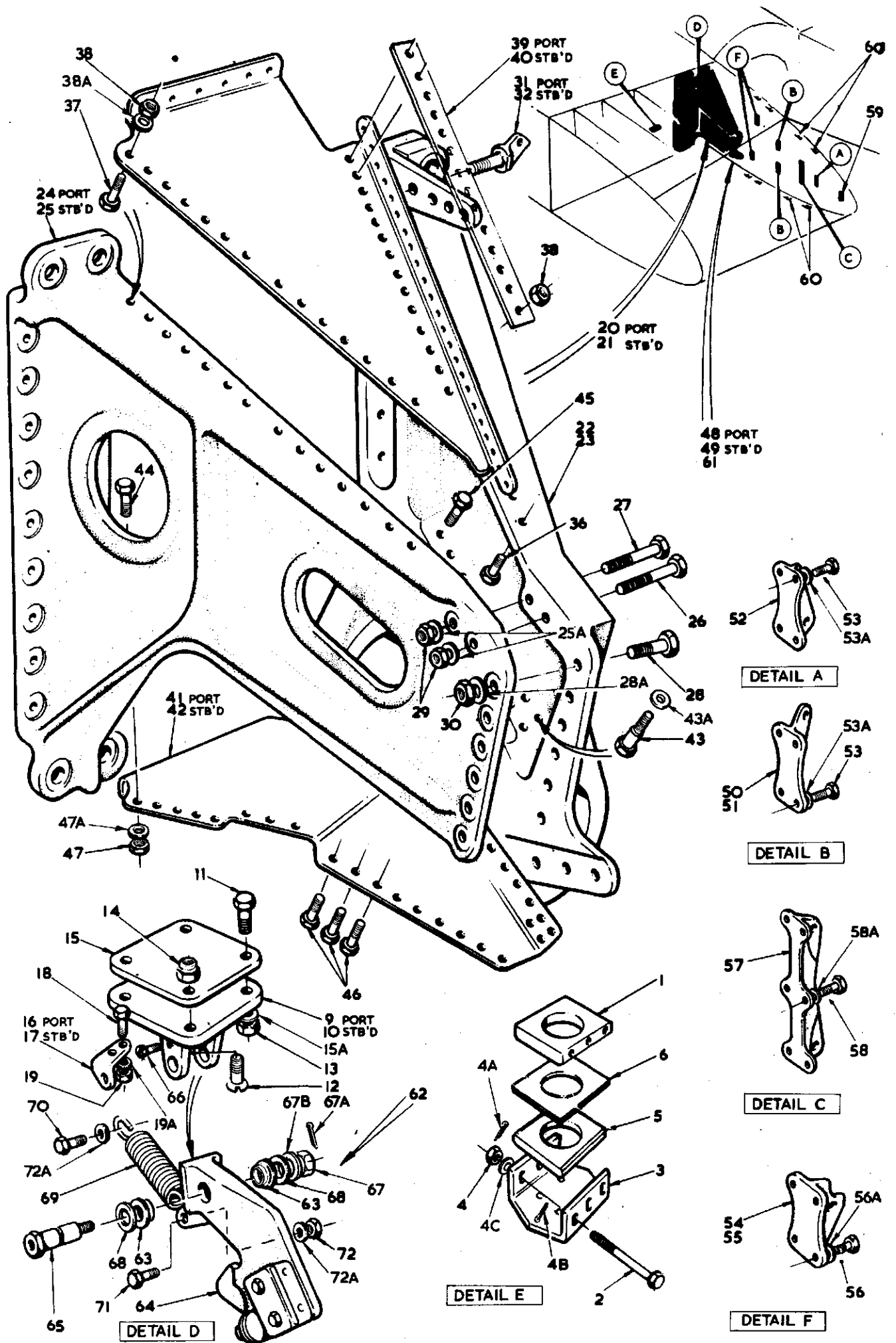


FIG. 7 WING STRUCTURE

CODE Z

SECT LE

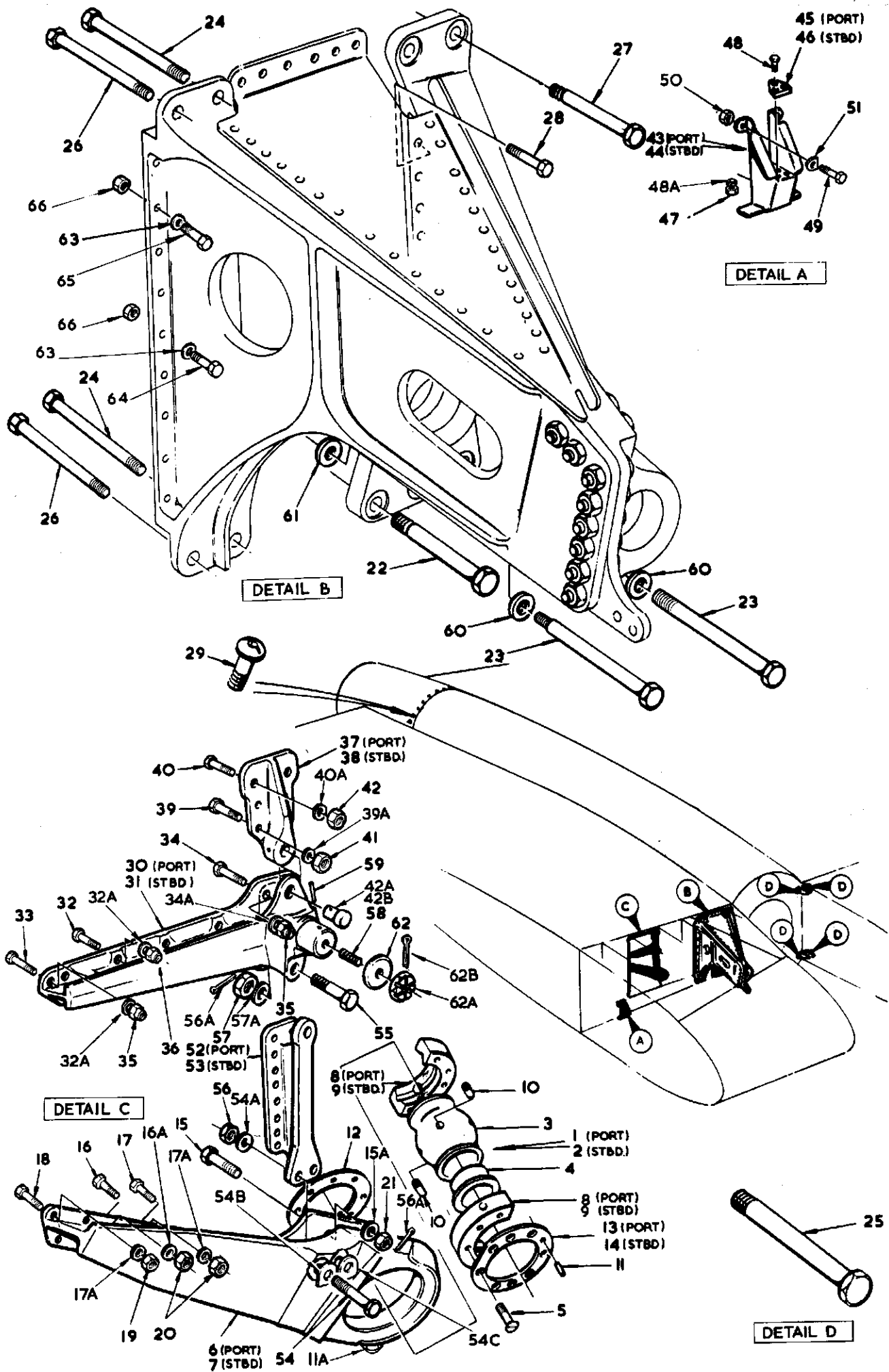


FIG 8 WING STRUCTURE

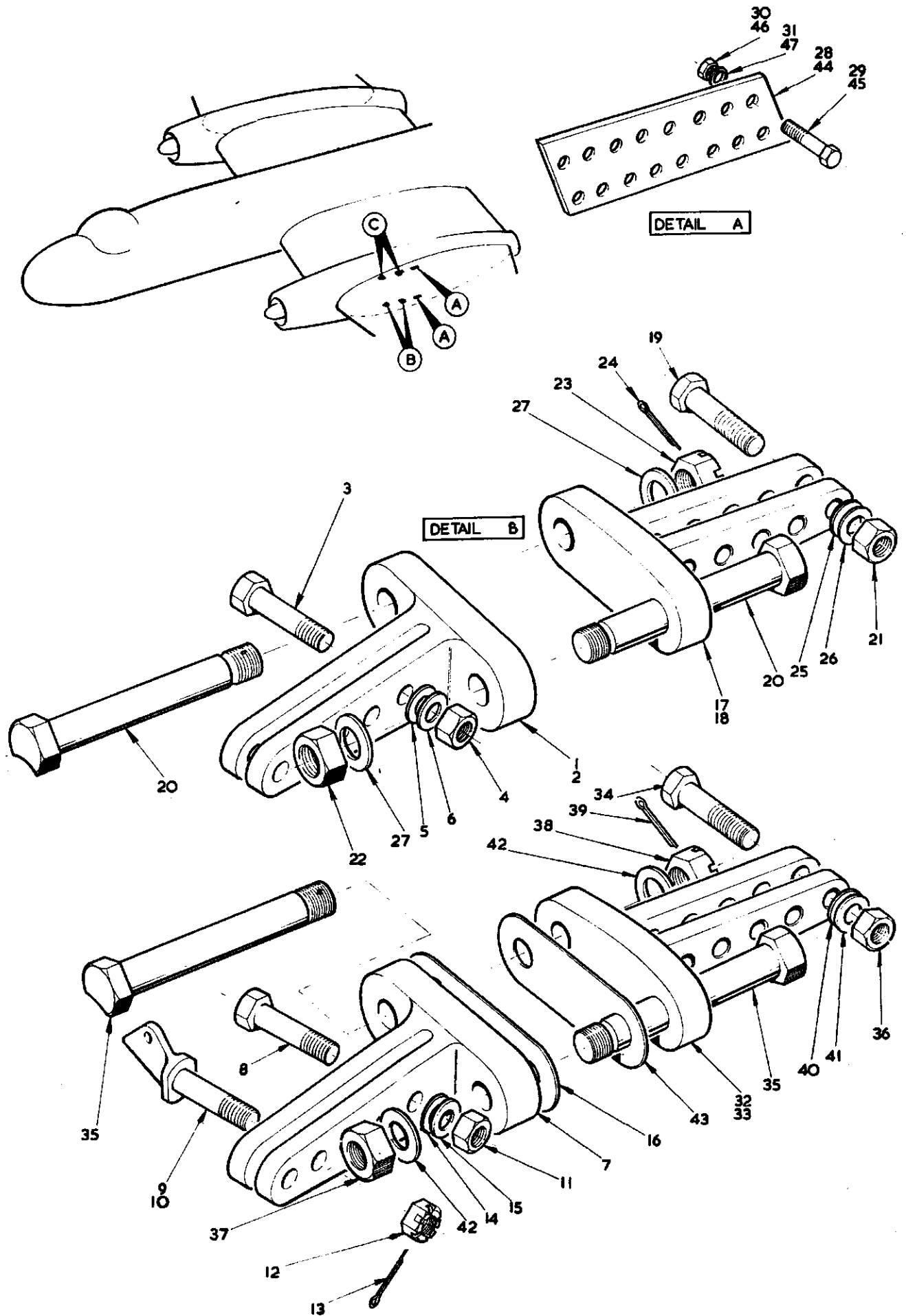


FIG. 9 WING STRUCTURE

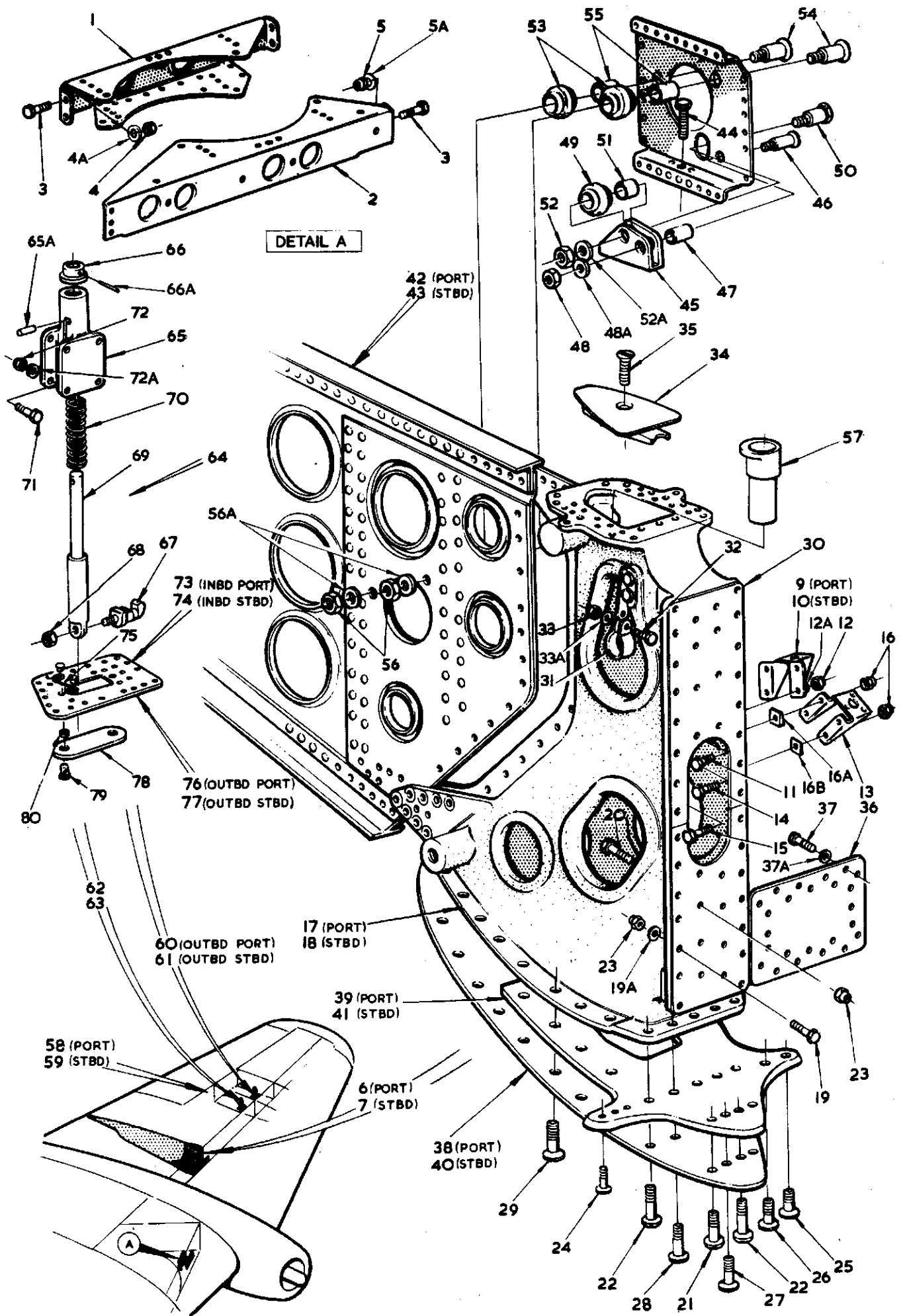


FIG. II WING STRUCTURE

This file was downloaded
from the RTFM Library.

Link: www.scottbouch.com/rtfm

Please see site for usage terms,
and more aircraft documents.

