

POWER INSTALLATION
COWLING, ENGINE PORT

Part Number	Description	No. Off	Mati. Spec.	Plate No.
EA6.50.493	COWLING, ENGINE PORT, ASSEMBLY Spares for :-	-	-	PA2/1
EA1.50.103	. CLIP, toggle hook spring	2	L72	PA2/2
EA1.50.105	. CLIP, toggle hook spring	2	L72	PA2/3
AS1246/1B	Attaching parts for EA1.50.103 and EA1.50.105 :-			
AGS2001B1	. Bolt, 4BA	1	-	PA2/4
SP15B	. Nut, 4BA	1	-	PA2/5
	. Washer	1	-	PA2/6
EB6.00.129	. COWL, FRONT, ASSEMBLY (Ref. drg. EA6.50.497) Spares for :-	1	-	PA1/1
EA6.50.967	. . ANGLE, duct, extractor L.H. (Mod 2114)	1	-	PA1/5
EA6.50.977	. . ANGLE, duct, extractor R.H. (Mod 2114)	1	-	PA1/6
EA6.50.815	. . BRACKET, pipe, anti-icing	1	L72	PA1/7
EA6.50.821	. . CLIP, bottom, anti-icing pipe	2	L72	PA1/8
EA6.50.819	. . CLIP, top, anti-icing pipe	2	L72	PA1/9
A25/3C	Attaching parts for EA6.50.821 and EA6.50.819 :-			
AGS2001C1/66	. . Bolt, 2BA	2	-	PA1/10
	. . Nut, 2BA	2	-	PA1/11
EA6.50.957	. . COVER, access, P.V. ram	1	L72	PA1/12
AS1242/1C	Attaching parts for EA6.50.957 :-			
	. . Bolt, 2BA	12	-	PA1/13
EA6.50.595	. . DUCT, stub bottom bleed valve	2	-	PA1/14
EA6.50.597	Spares for :- . . . SEAL (Make from BAS180PSP - .8 x 6B) (Ref. 26FZ/6119407)	QR		
EA6.50.789	. . DUCT, extractor, inboard (Pre-Mod 2114)	1	-	PA1/15
EA6.50.787	. . DUCT, extractor, outboard (Pre-Mod 2114)	1	-	PA1/16
EA6.50.971	. . DUCT, extractor (Mod 2114)	2	S3	PA1/17
A25/7C	Attaching parts for EA6.50.971 :-			
AS1242/2B	. . Bolt, 2BA	3	-	PA1/18
AGS2001B1	. . Bolt, csk. head 2BA	30	-	PA1/18A
EA6.50.975	. . Nut, stiff, 4BA	30	-	PA1/18B
SP15B	. . Spring (Mod 2114)	3	DTD215	PA1/19
	. . Washer	30	-	PA1/19A
EA6.50.557	. . INTAKE, AIR ASSEMBLY Spares for :-	1	-	PA1/2
EA6.50.535	. . . FRAME, No. 1 ASSEMBLY Spares for :-	1	-	PA1/3
EA6.50.551 RING, sealing (Make from EEAS140, Ref. 20518)	-	-	PA1/4
EA6.50.735	. . PANEL, access, bleed valve	1	-	PA1/20
AS1242/1E	Attaching parts for EA6.50.735 :- . . Bolt, 1/4" BSF	12	-	PA1/21

POWER INSTALLATION
COWLING ENGINE PORT

Part Number	Description	No. Off	Mati. Spec.	Plate No.
EA6.50.949	. . . PIPE, ANTI-ICING, ASSEMBLY Spares for :-	1	-	PA1/22
EA6.50.921	. . . GASKET Attaching parts for EA6.50.949 :-	1	M4	PA1/23
A25/1C	. . . Bolt, 2BA	4	-	PA1/23A
EEAS1/1C	. . . Screw, 2BA	2	-	PA1/24
EA6.50.969	. . . PLATE, doubling, external (Mod 2114) Attaching parts for EB6.00.129 :-	2	-	PA1/24A
EA1.50.1051	. . . Screw, special	41	S11	PA1/25
EA6.50.481	. . . COWL, BOTTOM, REAR (LESS U/C COWL DOOR), ASSEMBLY (PRE-MOD 2545)	1	-	
EA9.50.27	. . . COWL, BOTTOM, REAR (LESS U/C COWL DOOR), ASSEMBLY (MOD 2545) Spares for :-	1	-	PA3/1
EA1.50.65	. . . BRACKET, forward hinge, u/c cowl door Attaching parts for EA1.50.65 :-	1	DTD683	PA3/2
A25/20C	. . . Bolt, 2BA	4	-	PA3/2A
A27CT	. . . Nut, 2BA	4	-	PA3/2B
SP15C	. . . Washer	4	-	PA3/2C
EA1.50.67	. . . BRACKET, aft hinge, u/c cowl door Attaching parts for EA1.50.67 :-	1	DTD683	PA3/3
A25/20C	. . . Bolt, 2BA	2	-	PA3/4
A25/21C	. . . Bolt, 2BA	2	-	PA3/5
A27CT	. . . Nut, 2BA	4	-	PA3/6
SP15C	. . . Washer	2	-	PA3/7
SP16C	. . . Washer	2	-	PA3/8
EA6.50.483	. . . COWL, BOTTOM REAR, ASSEMBLY (PRE-MOD 2545)	-	-	
EA9.50.29	. . . COWL, BOTTOM REAR, ASSEMBLY (MOD 2545) Spares for :-	-	-	PA3/9
A25/2B	. . . BOLT, 4BA	13	-	PA3/9A
A25/3B	. . . BOLT, 4BA	29	-	PA3/9B
A25/4B	. . . BOLT, 4BA	5	-	PA3/9C
EB6.50.57	. . . CLIP, pipe Attaching parts for EB6.50.57 :-	1	-	PA3/10
A25/1B	. . . Bolt, 4BA	1	-	PA3/10A
AGS2001B1	. . . Nut, 4BA	1	-	PA3/10B
EEAS21/2FU	. . . Washer, 'D'	1	-	PA3/10C
EA1.50.872	. . . DUCT	1	-	PA3/11
EA1.50.1591	. . . DUCT Attaching parts for EA1.50.872 and EA1.50.1591 :-	1	-	PA3/12
A25/1B	. . . Bolt, 4BA	5	-	PA3/12A
A27BP	. . . Nut, 4BA	5	-	PA3/12B
SP15B	. . . Washer	5	-	PA3/12C

AP101B-0415-3A

POWER INSTALLATION
COWLING ENGINE PORT

Page PA.3

Part Number	1 2 3 4 5 6	Description	No. Off	Matl. Spec.	Plate No.
EA1.50.975	FUNNEL, assembly, air duct	2	—	PA3/13
EB6.50.141	MEMBER, reinforcing	1	—	PA3/13A
A27BP	NUT, 4BA	47	—	PA3/13B
EA1.50.1523	OUTLET, drain	1	—	PA3/14
EB6.50.55	PIPE	1	—	PA3/15
EA1.50.1601	PLATE, RETAINING, ASSEMBLY	1	—	PA3/16
		Spares for :—			
EA1.50.1609	PLATE, attachment	2	—	PA3/16A
EA1.50.1607	PLATE, half	1	—	PA3/16B
EA1.50.1605	PLATE, half	1	—	PA3/16C
		Attaching parts for EA1.50.1605 :—			
AGS2001A1	Nut, 6BA	4	—	PA3/16E
A33/A12	Screw, 6BA	4	—	PA3/16D
SP15A	Washer	4	—	PA3/16F
		BELLS ASBESTOS			
BAS180PSP-.8x6B	SEAL, 'P', 0.8" dia x 0.6" flange x 15" long	QR	—	PA3/17
EEAS120	SEAL, rubber	2	—	PA3/18
EB6.50.129	SEAL, Neoprene, 1/8" thick (Make from Ref. 32C/728)	QR	—	PA3/19
EB6.50.143	SEAL (Make from Ref. 32C/728)	2	—	PA3/20
EA1.50.1603	SPRING, drain outlet (Pre-Mod 2670)	1	—	
EA6.50.991	SPRING, drain outlet (Mod 2670)	1	—	PA3/21
EA1.50.981	SPRING, air duct outlet funnel	2	—	PA3/23
EB6.50.151	STIFFENER	1	—	PA3/23A
SP13B	WASHER	47	—	PA3/22
EA1.50.315	DOOR, access, igniter plug	2	—	PA3/24
EA1.50.317	DOOR, access, in bottom rear cowl	1	—	PA3/25
EA1.50.319	DOOR, undercarriage cowl	1	—	PA3/26
		Attaching parts for EA1.50.319 :—			
EA1.50.1075	Block, rubber, aft half hinge	1	—	PA3/27
AGS899/6	Collar	2	—	PA3/28
SP4Z/F10	Pin, shackle	1	—	PA3/29
SP4Z/F18	Pin, shackle	1	—	PA3/30
SP90C7	Pin, split	2	—	PA3/31
EA1.50.365	Washer	2	L46	PA3/32
FJ5/60DS	FASTENER, Dzus	4	—	PA3/33
FJ5/70DS	FASTENER, Dzus	4	—	PA3/34
FJ5/80DS	FASTENER, Dzus	2	—	PA3/35
EA1.50.282	FASTENER, TOGGLE, ASSEMBLY	2	—	PA3/36
		Spares for :—			
EA1.50.95	HANDLE, TOGGLE FASTENER, ASSEMBLY	1	—	PA3/37
		Spares for :—			
EA1.50.33	BUSH	2	—	PA3/37A
EA1.50.25	HANDLE, toggle	1	—	PA3/37B
EA1.50.27	LINK	1	—	PA3/37C
		Attaching parts for EA1.50.27 :—			
SP90C8	Pin, split, 1/16" dia	1	—	PA3/37D
EA1.50.39	Tube	1	—	PA3/37E

POWER INSTALLATION
COWLING ENGINE PORT

Part Number	Description	No. Off	Matl. Spec.	Plate No.
TERRY 169/1 EA1.50.49 RING, split SPRING, 19 SWG	1 1	— Spring Steel	PA3/38 PA3/39
EA1.50.51 Attaching parts for EA1.50.49 :— Pin	1	—	PA3/39A
SP4Y/H16 SP90E6 PIN PIN, split, 3/32" dia Attaching parts for EA1.50.95 :—	1 1	— —	PA3/39B PA3/39C
EA1.50.155 SP90C7 Pin, stud special Pin, split, 1/16" dia	2 2	S11 —	PA3/40 PA3/41
EA1.50.170 EA1.50.281 HOUSING, toggle FASTENER, TOGGLE, ASSEMBLY Spares for :—	1 2	— —	PA3/41A PA3/42
EA1.50.95 HANDLE, TOGGLE, FASTENER ASSEMBLY Spares for :—	1	—	PA3/37
EA1.50.33 EA1.50.25 EA1.50.27 BUSH HANDLE, toggle LINK Attaching parts for EA1.50.27 :—	2 1 1	— — —	PA3/37A PA3/37B PA3/37C
SP90C8 EA1.50.39 Pin, split, 1/16" dia Tube	1 1	— —	PA3/37D PA3/37E
TERRY 169/1 EA1.50.49 RING, split SPRING, 19 SWG	1 1	— Spring Steel	PA3/38 PA3/39
EA1.50.51 Attaching parts for EA1.50.49 :— Pin	1	—	PA3/39A
SP4Y/H16 SP90E6 PIN PIN, split, 3/32" dia Attaching parts for EA1.50.95 :—	1 1	— —	PA3/39B PA3/39C
EA1.50.155 SP90C7 Pin, stud special Pin, split, 1/16" dia	2 2	S11 —	PA3/40 PA3/41
EA1.50.169 HOUSING, toggle	1	—	PA3/41B

Part Number	1 2 3 4 5 6	Description	No. Off	Matl. Spec.	Plate No.
EA1.50.284	. . .	FASTENER, TOGGLE, ASSEMBLY	1	—	PA3/43
		Spares for :—			
EA1.50.97	. . .	HANDLE TOGGLE, FASTENER ASSEMBLY	1	—	PA3/44
		Spares for :—			
EA1.50.31	BUSH	2	—	PA3/44A
EA1.50.41	HANDLE, toggle	1	—	PA3/44B
EA1.50.43	LINK	1	—	PA3/44C
		Attaching parts for EA1.50.43 :—			
SP90C8	Pin, split, 1/16" dia	1	—	PA3/44D
EA1.50.47	Tube	1	—	PA3/44E
TERRY 169/1	RING, split	1	—	PA3/45
EA1.50.49	SPRING, 19 SWG	1	Spring Steel	PA3/46
		Attaching parts for EA1.50.49 :—			
EA1.50.99	Pin	1	—	PA3/46A
SP4Y/H16	PIN	1	—	PA3/46B
SP90E6	PIN, split, 3/32" dia	1	—	PA3/46C
		Attaching parts for EA1.50.97 :—			
EA1.50.157	Pin, stud special	2	S11	PA3/47
SP90E4	Pin, split, 3/32" dia	2	—	PA3/48
EA1.50.172	HOUSING, toggle	1	—	PA3/48B
EA1.50.283	. . .	FASTENER, TOGGLE, ASSEMBLY	1	—	PA3/49
		Spares for :—			
EA1.50.97	HANDLE, TOGGLE FASTENER, ASSEMBLY	1	—	PA3/44
		Spares for :—			
EA1.50.31	BUSH	2	—	PA3/44A
EA1.50.41	HANDLE, toggle	1	—	PA3/44B
EA1.50.43	LINK	1	—	PA3/44C
		Attaching parts for EA1.50.43 :—			
SP90C8	Pin, split, 1/16" dia	1	—	PA3/44D
EA1.50.47	Tube	1	—	PA3/44E
TERRY 169/1	RING, split	1	—	PA3/45
EA1.50.49	SPRING, 19 SWG	1	Spring Steel	PA3/46
		Attaching parts for EA1.50.49 :—			
EA1.50.99	Pin	1	—	PA3/46A
SP4Y/H16	PIN	1	—	PA3/46B
SP90E6	PIN, split, 3/32" dia	1	—	PA3/46C
		Attaching parts for EA1.50.97 :—			
EA1.50.157	Pin, stud special	2	S11	PA3/47
SP90E4	Pin, split, 3/32" dia	2	—	PA3/48
EA1.50.171	HOUSING, toggle	1	—	PA3/48A

POWER INSTALLATION
COWLING ENGINE PORT

Part Number	Description	No. Off	Mati. Spec.	Plate No.
EA1.50.161	. . . PANEL, toggle fastener housing	6	—	PA3/50
EB6.50.121	. . . ROD, TENSION, FOR U/C COWL DOOR AND CABLE CHECK, ASSEMBLY Consisting of :—	1	—	PA3/51
EB6.50.115 CABLE, check	1	—	PA3/52
EB6.50.119 FORK-END	2	S1	PA3/53
A27CT NUT, 2BA	2	—	PA3/54
SP4Z/B4 PIN, shackle	1	—	PA3/55
SP90C3 PIN, split, 1/16" dia	1	—	PA3/56
EB6.50.117 ROD, connecting	1	S1	PA3/57
EEAS.27/5EU WASHER, special	1	—	PA3/58
A25/3C Bolt, 2BA	1	—	PA3/59
A25/14C Bolt, 2BA	1	—	PA3/60
A27CP Nut, 2BA	2	—	PA3/61
SP13C Washer	2	—	PA3/62
DZUS				
S5/325 SPRING	6	—	PA3/63
EA1.50.1793 WASHER, cup, Dzus fastener, retaining Attaching parts for EA9.50.27 :—	10	DTD124A	PA3/64
EEAS1/1C Screw, 2BA	10	S11	PA3/65
EA6.50.467	. . . COWL, TOP, REAR, ASSEMBLY Spares for :—	1	—	PA4/1
EA6.50.469 COWL, top rear	1	—	PA4/1A
FJ5/60DS FASTENER, DZUS	4	—	PA4/2
FJ5/70DS FASTENER, DZUS	4	—	PA4/3
FJ5/80DS FASTENER, DZUS	2	—	PA4/4
EA1.50.282 FASTENER, TOGGLE, ASSEMBLY Spares for :—	2	—	PA4/5
EA1.50.95 HANDLE, TOGGLE, FASTENER, ASSEMBLY Spares for :—	1	—	PA4/6
EA1.50.33 BUSH	2	—	PA4/6A
EA1.50.25 HANDLE, toggle	1	—	PA4/6B
EA1.50.27 LINK Attaching parts for EA1.50.27 :—	1	—	PA4/6C
SP90C8 Pin, split, 1/16" dia	1	—	PA4/6D
EA1.50.39 Tube	1	—	PA4/6E
TERRY				
169/1 RING, split	1	—	PA4/7
EA1.50.49 SPRING, 19 SWG	1	Spring Steel	PA4/8
EA1.50.51 Attaching parts for EA1.50.49 :— Pin	1	—	PA4/8A

R

COWLING ENGINE PORT

Part Number	Description						No. Off	Matl. Spec.	Plate No.
	1	2	3	4	5	6			
SP4Y/H16	PIN	1	-	PA4/8B	
SP90E6	PIN, split, $\frac{3}{32}$ " dia	1	-	PA4/8C	
EA1.50.155	Attaching parts for EA1.50.95:-				
SP90C7	Pin, stud, special	2	S11	PA4/9	
	Pin, split, $\frac{1}{16}$ " dia	2	-	PA4/10	
EA1.50.170	HOUSING, toggle	1	-	PA4/10A	
EA1.50.281	FASTENER, TOGGLE, ASSEMBLY	2	-	PA4/11	
	Spares for:-				
EA1.50.95	HANDLE, TOGGLE, FASTENER, ASSEMBLY	1	-	PA4/6	
	Spares for:-				
EA1.50.33	BUSH	2	-	PA4/6A	
EA1.50.25	HANDLE, toggle	1	-	PA4/6B	
EA1.50.27	LINK	1	-	PA4/6C	
	Attaching parts for EA1.50.27:-				
SP90C8	Pin, split, $\frac{1}{16}$ " dia	1	-	PA4/6D	
EA1.50.39	Tube	1	-	PA4/6E	
TERRY					
169/1	RING, split	1	-	PA4/7	
EA1.50.49	SPRING, 19 SWG	1	Spring Steel	PA4/8	
	Attaching parts for EA1.50.49:-				
EA1.50.51	Pin	1	-	PA4/8A	
SP4Y/H16	PIN	1	-	PA4/8B	
SP90E6	PIN, split, $\frac{3}{32}$ " dia	1	-	PA4/8C	
EA1.50.155	Attaching parts for EA1.50.95:-				
SP90C7	Pin, stud special	2	S11	PA4/9	
	Pin, split, $\frac{1}{16}$ " dia	2	-	PA4/10	
EA1.50.169	HOUSING, toggle	1	-	PA4/10B	
EA1.50.283	FASTENER, TOGGLE, ASSEMBLY	2	-	PA4/12	
	Spares for:-				
EA1.50.97	HANDLE, TOGGLE FASTENER, ASSEMBLY	1	-	PA4/13	
	Spares for:-				
EA1.50.31	BUSH	2	-	PA4/13A	
EA1.50.41	HANDLE, toggle	1	-	PA4/13B	
EA1.50.43	LINK	1	-	PA4/13C	
	Attaching parts for EA1.50.43:-				
SP90C8	Pin, split, $\frac{1}{16}$ " dia	1	-	PA4/13D	
EA1.50.47	Tube	1	-	PA4/13E	
TERRY					
169/1	RING, split	1	-	PA4/14	
EA1.50.49	SPRING, 19 SWG	1	Spring Steel	PA4/15	
	Attaching parts for EA1.50.49:-				
EA1.50.99	Pin	1	-	PA4/15A	

POWER INSTALLATION

COWLING ENGINE PORT

Part Number	Description	No. Off	Mtl. Spec.	Plate No.
R SP4Y/H16 PIN	1	—	PA4/15B
SP90E6 PIN, split, $\frac{3}{32}$ " dia	1	—	PA4/15C
EA1.50.157	Attaching parts for EA1.50.97:—			
SP90E4 Pin, stud, special	2	S11	PA4/16
 Pin, split, $\frac{3}{32}$ " dia	2	—	PA4/17
EA1.50.171 HOUSING, toggle	1	—	PA4/17A
EA1.50.284	. . . FASTENER, TOGGLE, ASSEMBLY	2	—	PA4/18
EA1.50.97	Spares for:—			
 HANDLE, TOGGLE FASTENER, ASSEMBLY	1	—	PA4/13
EA1.50.31	Spares for:—			
EA1.50.41 BUSH	2	—	PA4/13A
EA1.50.43 HANDLE, toggle	1	—	PA4/13B
 LINK	1	—	PA4/13C
SP90C8	Attaching parts for EA1.50.43:—			
EA1.50.47 Pin, split, $\frac{1}{16}$ " dia	1	—	PA4/13D
 Tube	1	—	PA4/13E
TERRY				
169/1 RING, split	1	—	PA4/14
EA1.50.49 SPRING, 19 SWG	1	—	PA4/15
EA1.50.99	Attaching parts for EA1.50.49:—			
 Pin	1	—	PA4/15A
R SP4YH16 PIN	1	—	PA4/15B
SP90E6 PIN, split, $\frac{3}{32}$ " dia	1	—	PA4/15C
EA1.50.157	Attaching parts for EA1.50.97:—			
SP90E4 Pin, stud, special	2	S11	PA4/16
 Pin, split, $\frac{3}{32}$ " dia	2	—	PA4/17
EA1.50.172 HOUSING, toggle	1	—	PA4/17B
EA1.50.161	. . . PANEL, toggle fastener housing	8	—	PA4/19
DZUS				
S5/325	. . . SPRING	8	—	PA4/20
EA1.50.1793	. . . WASHER, cup, Dzus fastener, retaining	10	DTD124A	PA4/21
EA6.50.593	. . . DUCT, air compressor bleed valve	2	—	PA2/7
AS1242/1E	Attaching parts for EA6.50.593:—			
	. . . Bolt, $\frac{1}{4}$ " BSF	16	—	PA2/8
EA6.50.501	. . . DUCT, engine starter, exhaust (Pre—Mod 2129)	3	—	PA2/9
EA6.50.979	. . . DUCT, engine starter, exhaust (Mod. 2129)	3	—	PA2/10
AS1242/1E	Attaching parts for EA6.50.501 or EA6.50.979:—			
	. . . Bolt, $\frac{1}{4}$ " BSF	8	—	PA2/11
EA1.50.109	. . . FORK-END, fitting toggle fastener	2	S11	PA2/12
SP4Y/D6	Attaching parts for EA1.50.109:—			
SP90C4	. . . Pin, shackle	1	—	PA2/12A
	. . . Pin, split, $\frac{1}{16}$ " dia	1	—	PA2/12B

Part Number	Description	No. Off	Mati. Spec.	Plate No.
EA1.50.135	. FORK-END, fitting, toggle fastener Attaching parts for EA1.50.135:—	6	DTD683	PA2/13
SP4Y/D6	. Pin, shackle	1	—	PA2/13A
SP90C4	. Pin, split, 1/16" dia	1	—	PA2/13B
EA1.50.137	. FORK-END, fitting toggle fastener Attaching parts for EA1.50.137:—	8	DTD683	PA2/14
SP4Y/F10	. Pin, shackle	1	—	PA2/14A
SP90E4	. Pin, split, 3/32" dia	1	—	PA2/14B
EA6.50.901	. FORK-END, fitting, toggle fastener Attaching parts for EA1.50.901:—	1	DTD683	PA2/15
SP4Y/F10	. Pin, shackle	1	—	PA2/16
SP90E4	. Pin, split, 3/32" dia	1	—	PA2/17
EA1.50.29	. HOOK, cowl toggle fastener	8	S11	PA2/18
EA1.50.45	. HOOK, cowl toggle fastener	9	S11	PA2/19
EA6.50.25	. HOOK, COWL TOGGLE FASTENER, ASSEMBLY FOR INBOARD FRONT ATTACHMENT OF SERVICE PANEL Spares for:—	1	—	PA2/20
EA6.50.21	. . . FORK-END, fitting	1	—	PA2/21
EA1.50.45	. . . HOOK, toggle fastener	1	—	PA2/22
A27/ET	. . . NUT	2	—	PA2/22A
EA1.50.121	. . . ROD, toggle fastener Attaching parts for EA6.50.25:—	1	—	PA2/23
SP4Y/D9	. Pin, shackle	1	—	PA2/24
SP90C4	. Pin, split, 1/16" dia	1	—	PA2/24A
A27ET	. NUT, 1/4" BSF	16	—	PA2/24B
A27GT	. NUT, 5/16" BSF	16	—	PA2/24C
EA6.50.5	. PANEL ENGINE, SERVICE, ASSEMBLY Spares for:—	1	—	PA4/22
EA1.50.283	. . . FASTENER, TOGGLE, ASSEMBLY Spares for:—	2	—	PA4/12
EA1.50.97	. . . HANDLE, TOGGLE, FASTENER, ASSEMBLY Spares for:—	1	—	PA4/13
EA1.50.31 BUSH	2	—	PA4/13A
EA1.50.41 HANDLE, toggle	1	—	PA4/13B
EA1.50.43 LINK	1	—	PA4/13C
SP90C8 Pin, split, 1/16" dia	1	—	PA4/13D
EA1.50.47 Tube	1	—	PA4/13E
TERRY 169/1 RING, split	1	—	PA4/14
EA1.50.49 SPRING, 19 SWG	1	Spring Steel	PA4/15
EA1.50.99	Attaching parts for EA1.50.49:— Pin	1	—	PA4/15A

POWER INSTALLATION
COWLING ENGINE PORT

Part Number	1 2 3 4 5 6	Description	No. Off	Mati. Spec.	Plate No.
SP4Y/H16		PIN	1	—	PA4/15B
SP90E6		PIN, split, $\frac{3}{32}$ " dia	1	—	PA4/15C
EA1.50.157		Attaching parts for EA1.50.97:—	2	S11	PA4/16
SP90E4		Pin, stud special	2	—	PA4/17
		Pin, split, $\frac{3}{32}$ " dia	2	—	
EA1.50.171		HOUSING, toggle	1	—	PA4/17A
EA1.50.284		FASTENER, TOGGLE, ASSEMBLY	2	—	PA4/18
EA1.50.97		Spares for:—			
		HANDLE, TOGGLE FASTENER, ASSEMBLY	1	—	PA4/13
		Spares for:—			
EA1.50.31		BUSH	2	—	PA4/13A
EA1.50.41		HANDLE, toggle	1	—	PA4/13B
EA1.50.43		LINK	1	—	PA4/13C
		Attaching parts for EA1.50.43:—			
SP90C8		Pin, split, $\frac{1}{16}$ " dia	1	—	PA4/13D
EA1.50.47		Tube	1	—	PA4/13E
TERRY 169/1		RING, split	1	—	PA4/14
EA1.50.49		SPRING, 19 SWG	1	—	PA4/15
		Attaching parts for EA1.50.49:—			
EA1.50.99		Pin	1	—	PA4/15A
SP4Y/H16		PIN	1	—	PA4/15B
SP90E6		PIN, split, $\frac{3}{32}$ " dia	1	—	PA4/15C
		Attaching parts for EA1.50.97:—			
EA1.50.157		Pin, stud, special	2	S11	PA4/16
SP90E4		Pin, split, $\frac{3}{32}$ " dia	2	—	PA4/17
EA1.50.172		HOUSING, toggle	1	—	PA4/17B
EA6.50.49		PANEL, SERVICE, ASSEMBLY	1	—	PA4/23
		Spares for:—			
EA6.50.283		DUCT, ventilating (Pre-Mod 2127)	2	L59	PA4/24
EA9.50.39		DUCT, ventilating (Mod 2127)	2	L59	PA4/25
EA6.50.51		FRAME, 2A, engine, assembly	1	—	
		Spares for:—			
R EE11/2		EXTRUSION (SAS 4769)	QR	—	PA4/31
		Attaching parts for EE11/2:—			
R EC1099		Adhesive (SAS 4769)	QR	—	
EA1.50.161		PANEL, toggle fastener housing	4	—	PA4/26
DZUS S5/325		SPRING	4	—	PA4/27
EA1.50.119		ROD, toggle fastener	4	—	PA2/25
EA1.50.123		ROD, toggle fastener	1	—	PA2/26
EA1.50.125		ROD, toggle fastener	2	—	PA2/27
EA1.50.129		ROD, toggle fastener	4	—	PA2/28
EA1.50.131		ROD, toggle fastener	2	—	PA2/29
EA1.50.133		ROD, toggle fastener	2	—	PA2/30
EEAS1/8E		SCREW, $\frac{1}{4}$ " BSF	4	S11	PA2/31
EA1.50.101		SPRING, toggle hook, tension	4	Spring Steel	PA4/32

AP101B-0415-3A

POWER INSTALLATION
COWLING ENGINE STARBOARD

Page PB.1

Part Number	Description	No. Off	Mati. Spec.	Plate No.
EA6.50.495	COWLING, ENGINE, STARBOARD, ASSEMBLY	—	—	PE2/33
	Spares for :—			
EA1.50.103	. CLIP, toggle hook spring	2	L72	PB2/2
EA1.50.105	. CLIP, toggle hook spring	2	L72	PB2/3
	Attaching parts for EA1.50.103 and EA1.50.105:—			
AS1246/1B	. Bolt, 4BA	1	—	PB2/4
AGS2001B1	. Nut, 4BA	1	—	PB2/5
SP15B	. Washer	1	—	PB2/6
EB6.00.131	. COWL, FRONT, ASSEMBLY (Ref. drg. EA6.50.499)	1	—	PB1/26
	Spares for :—			
EA6.50.967	. . ANGLE, duct extractor, L.H. (Mod 2114)	1	—	PB1/5
EA6.50.977	. . ANGLE, duct extractor, R.H. (Mod 2114)	1	—	PB1/6
EA6.50.881	. . BRACKET, pipe, anti-icing	1	L72	PB1/30
EA6.50.821	. . CLIP, bottom, anti-icing pipe	2	L72	PB1/8
EA6.50.819	. . CLIP, top, anti-icing pipe	2	L72	PB1/9
	Attaching parts for EA6.50.821 and EA6.50.819 :—			
A25/3C	. . Bolt, 2BA	2	—	PB1/10
AGS2001C1/66	. . Nut, 2BA	2	—	PB1/11
EA6.50.957	. . COVER, access, P.V. ram	1	L72	PB1/12
	Attaching parts for EA6.50.957 :—			
AS1242/1C	. . Bolt, 2BA	12	—	PB1/13
EA6.50.595	. . DUCT, stub bottom bleed valve	2	—	PB1/14
	Spares for :—			
EA6.50.597	. . . SEAL (Make from BAS180PSP—.8 x .6B) (Ref. 26FZ/6119407)	QR	—	
EA6.50.789	. . DUCT, extractor, inboard (Pre—Mod 2114)	1	—	PB1/15
EA6.50.787	. . DUCT, extractor, outboard (Pre—Mod 2114)	1	—	PB1/16
EA6.50.971	. . DUCT, extractor (Mod 2114)	2	S3	PB1/17
	Attaching parts for EA6.50.971 :—			
A25/7C	. . Bolt, 2BA	3	—	PB1/18
AS1242/2B	. . Bolt, 4BA	30	—	PB1/18A
AGS2001B1	. . Nut, 4BA	30	—	PB1/18B
EA6.50.975	. . Spring (Mod 2114)	3	DTD215	PB1/19
SP15B	. . Washer	30	—	PB1/19A
EA6.50.861	. . INTAKE, AIR ASSEMBLY	1	—	PB1/27
	Spares for :—			
EA6.50.855	. . . FRAME, No. 1, ASSEMBLY	1	—	PB1/28
	Spares for :—			
EA6.50.905 RING, sealing (Make from EEAS140, Ref. 20518)	1	—	PB1/29
EA6.50.735	. . PANEL, access, bleed valve	1	—	PB1/20
	Attaching parts for EA6.50.735 :—			
AS1242/1E	. . Bolt, ¼" BSF	12	—	PB1/21

R

POWER INSTALLATION
COWLING ENGINE STARBOARD

Part Number	Description	No. Off	Mati. Spec.	Plate No.						
				1	2	3	4	5	6	
EA6.50.947	. . PIPE, ANTI-ICING, ASSEMBLY	1	—							PB1/31
EA6.50.921	Spares for :— . . . GASKET	1	Bestobel M4							PB1/23
A25/1C EEAS1/1C	Attaching parts for EA6.50.947 :— . . . Bolt, 2BA . . . Screw, 2BA	4 2	— S96							PB1/23A PB1/24
EA6.50.969	. . PLATE, doubling, external (Mod 2114)	2	—							PB1/24A
EA1.50.1051	Attaching parts for EA6.00.499 :— . Screw, special	41	S11							PB1/25
EA6.50.482	. COWL, BOTTOM, REAR (LESS UNDERCARRIAGE COWL DOOR), ASSEMBLY (PRE-MOD 2545)	1	—							
EA9.50.28	. COWL, BOTTOM, REAR (LESS UNDERCARRIAGE COWL DOOR), ASSEMBLY (MOD 2545)	1	—							PB3/66
EA9.50.66	Spares for :— . . BRACKET, forward hinge	1	DTD683							PB3/67
A25/20C A27CT SP15C	Attaching parts for EA1.50.66 :— . . Bolt, 2BA . . Nut, 2BA . . Washer	4 4 4	— — —							PB3/2A PB3/2B PB3/2C
EA1.50.68	. . BRACKET, aft hinge	1	DTD683							PB3/68
A25/20C A25/21C A27CT SP15C SP16C	Attaching parts for EA1.50.68 :— . . Bolt, 2BA . . Bolt, 2BA . . Nut, 2BA . . Washer . . Washer	2 2 4 2 2	— — — — —							PB3/4 PB3/5 PB3/6 PB3/7 PB3/8
EA6.50.484	. . COWL, BOTTOM REAR, ASSEMBLY (PRE-MOD 2545)	—	—							
EA9.50.30	. . COWL, BOTTOM REAR, ASSEMBLY (MOD 2545)	1	—							PB3/69
A25/2B A25/3B A25/4B EB6.50.57	Spares for :— . . . BOLT, 4BA . . . BOLT, 4BA . . . BOLT, 4BA . . . CLIP, pipe	13 29 5 1	— — — —							PB3/9A PB3/9B PB3/9C PB3/10
A25/1B A27BP EEAS21/2FU	Attaching parts for EB6.50.57 :— . . . Bolt, 4BA . . . Nut, 4BA . . . Washer, 'D'	1 1 1	— — —							PB3/10A PB3/10B PB3/10C
EA1.50.871 EA1.50.1592	. . . DUCT . . . DUCT	1 1	— —							PB3/70 PB3/71
A25/1B A27BP SP15B	Attaching parts for EA1.50.871 and EA1.50.1592 :— . . . Bolt, 4BA . . . Nut, 4BA . . . Washer	5 5 5	— — —							PB3/12A PB3/12B PB3/12C

POWER INSTALLATION
COWLING ENGINE STARBOARD

Part Number	Description	No. Off	Mtl. Spec.	Plate No.
EA1.50.975	FUNNEL, assembly, air duct	2	—	PB3/13
EB6.50.141	MEMBER, reinforcing	1	—	PB3/13A
A27BP	NUT, 4BA	47	—	PB3/13B
EA1.50.1523	OUTLET, drain	1	—	PB3/14
EB6.50.56	PIPE	1	—	PB3/72
EA1.50.1601	PLATE, retaining, oil sump drain outlet	1	—	PB3/16
	Spares for :—			
EA1.50.1609	PLATE, attachment	2	—	PB3/16A
EA1.50.1607	PLATE, half	1	—	PB3/16B
EA1.50.1605	PLATE, half	1	—	PB3/16C
	Attaching parts for EA1.50.1605 :—			
AGS2001A1	Nut, 6BA	4	—	PB3/16E
A33A12	Screw, 6BA	4	—	PB3/16D
SP15A	Washer	4	—	PB3/16F
BELLS ASBESTOS				
BAS180PSP-.8x.6B	SEAL 'P', 0.8" dia x 0.6" flange x 15" long	QR	—	PB3/17
EEAS120	SEAL, rubber	2	—	PB3/18
EB6.50.129	SEAL, Neoprene, 1/8" thick (Make from Ref. 32C/728)	QR	—	PB3/19
EB6.50.143	SEAL (Make from Ref. 32C/728)	2	—	PB3/20
EA1.50.1603	SPRING, drain outlet (Pre-Mod 2670)	1	—	
EA6.50.991	SPRING, drain outlet (Mod 2670)	1	—	PB3/21
EA1.50.981	SPRING, air duct outlet funnel	2	—	PB3/23
EB6.50.151	STIFFENER	1	—	PB3/23A
SP13B	WASHER	47	—	PB3/22
EA1.50.315	DOOR, access, ignition plug	2	—	PB3/24
EA1.50.318	DOOR, access, in bottom rear cowl	1	—	PB3/73
EA1.50.320	DOOR, undercarriage cowl	1	—	PB3/74
	Attaching parts for EA1.50.320 :—			
EA1.50.1075	Block, rubber, aft half hinge	1	—	PB3/27
AGS899/6	Collar	2	—	PB3/28
SP4Z/F10	Pin, shackle	1	—	PB3/29
SP4Z/F18	Pin, shackle	1	—	PB3/30
SP90C7	Pin, split	2	—	PB3/31
EA1.50.365	Washer	2	L46	PB3/32
FJ5/60DS	FASTENER, Dzus	4	—	PB3/33
FJ5/70DS	FASTENER, Dzus	4	—	PB3/34
FJ5/80DS	FASTENER, Dzus	2	—	PB3/35
EA1.50.281	FASTENER, TOGGLE, ASSEMBLY	2	—	PB3/42
	Spares for :—			
EA1.50.95	HANDLE, TOGGLE FASTENER, ASSEMBLY	1	—	PB3/37
	Spares for :—			
EA1.50.33	BUSH	2	—	PB3/37A
EA1.50.25	HANDLE, toggle	1	—	PB3/37B
EA1.50.27	LINK	1	—	PB3/37C
	Attaching parts for EA1.50.27 :—			
SP90C8	Pin, split, 1/16" dia	1	—	PB3/37D
EA1.50.39	Tube	1	—	PB3/37E

POWER INSTALLATION
COWLING ENGINE STARBOARD

Part Number	Description						No. Off	Matl. Spec.	Plate No.
	1	2	3	4	5	6			
TERRY 169/1 EA1.50.49	RING, split		1	—	PB3/38
	SPRING, 19 SWG		1	Spring Steel	PB3/39
EA1.50.51	Attaching parts for EA1.50.49 :— Pin		1	—	PB3/39A
SP4Y/H16 SP90E6	PIN		1	—	PB3/39B
	PIN, split, 3/32" dia		1	—	PB3/39C
EA1.50.155 SP90C7	Attaching parts for EA1.50.95 :— Pin, stud special		2	S11	PB3/40
	Pin, split, 1/16" dia		2	—	PB3/41
EA1.50.169 EA1.50.282	HOUSING, toggle		1	—	PB3/41B
	FASTENER, TOGGLE, ASSEMBLY		2	—	PB3/36
EA1.50.95	Spares for :— HANDLE, TOGGLE, FASTENER, ASSEMBLY		1	—	PB3/37
EA1.50.33 EA1.50.25 EA1.50.27	Spares for :— BUSH		2	—	PB3/37A
	HANDLE, toggle		1	—	PB3/37B
	LINK		1	—	PB3/37C
SP90C8 EA1.50.39	Attaching parts for EA1.50.27 :— Pin, split, 1/16" dia		1	—	PB3/37D
	Tube		1	—	PB3/37E
TERRY 169/1 EA1.50.49	RING, split		1	—	PB3/38
	SPRING, 19 SWG		1	Spring Steel	PB3/39
EA1.50.51	Attaching parts for EA1.50.49 :— Pin		1	—	PB3/39A
SP4Y/H16 SP90E6	PIN		1	—	PB3/39B
	PIN, split, 3/32" dia		1	—	PB3/39C
EA1.50.155 SP90C7	Attaching parts for EA1.50.95 :— Pin, stud special		2	S11	PB3/40
	Pin, split, 1/16" dia		2	—	PB3/41
EA1.50.170 EA1.50.283	HOUSING, toggle		1	—	PB3/41A
	FASTENER, TOGGLE, ASSEMBLY		1	—	PB3/49
EA1.50.97	Spares for :— HANDLE, TOGGLE FASTENER, ASSEMBLY		1	—	PB3/44
EA1.50.31 EA1.50.41	Spares for :— BUSH		2	—	PB3/44A
	HANDLE, toggle		1	—	PB3/44B

POWER INSTALLATION
COWLING ENGINE STARBOARD

Ref. No.	Part No.	Description 1 2 3 4 5 6	No. off	Matl. Spec.	Cl. of Equip M.R. L.M.	Plate No.
28P/1040788	EA1.50.43 LINK Attaching parts for EA1.50.43:—	1	—	—	PB3/44C
	SP90C8 Pin, split, 1/16" dia	1	—	C	PB3/44D
	EA1.50.47 Tube	1	—	C	PB3/44E
29H/4658471 635	TERRY 169/1 RING, split	1	—	C	PB3/45
	EA1.50.49 SPRING, 19 SWG	1	Spring Steel	C	PB3/46
6148	EA1.50.99	Attaching parts for EA1.50.49:— Pin	1	—	C	PB3/46A
28P/1016032 28P/1221260	SP4Y/H16 PIN	1	—	C	PB3/46B
	SP90E6 PIN, split, 3/32" dia	1	—	C	PB3/46C
17661 28P/9486478	EA1.50.157	Attaching parts for EA1.50.97:— Pin, stud, special	2	S11	C	PB3/47
	SP90C5 Pin, split	2	—	C	PB3/48
16316 637	EA1.50.171 HOUSING, toggle	1	—	C	PB3/48A
	EA1.50.284 FASTENER, TOGGLE, ASSEMBLY Spares for:—	1	—	C	PB3/43
7133	EA1.50.97 HANDLE, TOGGLE FASTENER, ASSEMBLY Spares for:—	1	—	C	PB3/44
28P/1040788 21023	EA1.50.31 BUSH	2	—	—	PB3/44A
	EA1.50.41 HANDLE, toggle	1	—	—	PB3/44B
	EA1.50.43 LINK Attaching parts for EA1.50.43:—	1	—	—	PB3/44C
28P/1040788 21023	SP90C8 Pin, split, 1/16" dia	1	—	C	PB3/44D
	EA1.50.47 Tube	1	—	C	PB3/44E
29H/4658471 635	TERRY 169/1 RING, split	1	—	C	PB3/45
	EA1.50.49 SPRING, 19 SWG	1	Spring Steel	C	PB3/46
6148	EA1.50.99	Attaching parts for EA1.50.49:— Pin	1	—	C	PB3/46A
28P/1016032 28P/1221260	SP4Y/H16 PIN	1	—	C	PB3/46B
	SP90E6 PIN, split, 3/32" dia	1	—	C	PB3/46C
17661 28P/1220716	EA1.50.157	Attaching parts for EA1.50.97:— Pin, stud special	2	—	C	PB3/47
	SP90E4 Pin, split, 3/32" dia	2	—	C	PB3/48
17662 628	EA1.50.172 HOUSING, toggle	1	—	C	PB3/48B
	EA1.50.161 PANEL, toggle fastener housing	6	—	C	PB3/50

POWER INSTALLATION
COWLING ENGINE STARBOARD

Ref. No.	Part No.	Description	No. off	Matl. Spec.	Cl. of Equip M.R. L.M.	Plate No.
6817	EB6.50.121	ROD, TENSION, FOR U/C COWL DOOR AND CABLE CHECK, ASSEMBLY Consisting of:—	1	—	C	PB3/51
17719	EB6.50.115	CABLE, check	1	—	C	PB3/52
12201	EB6.50.119	FORK-END	2	S1	C	PB3/53
28M/1006473	A27CT	NUT, 2BA	2	—	C	PB3/54
28P/9140979	SP4Z/B4	PIN, shackle	1	—	C	PB3/55
28P/1021104	SP90C3	PIN, split	1	—	C	PB3/69
	EB6.50.117	ROD, connecting	1	S1	—	PB3/57
27190	EEAS27/5EU	WASHER, special	1	—	C	PB3/58
		Attaching parts for EB6.50.121:—				
28D/9133012	A25/3C	Bolt, 2BA	1	—	C	PB3/59
28D/9140647	A25/14C	Bolt, 2BA	1	—	C	PB3/60
28M/9403520	A27CP	Nut, 2BA	2	—	C	PB3/61
28W/9419402	SP13C	Washer	2	—	C	PB3/62
	DZUS					
28FP/341	S5/325	SPRING	6	—	C	PB3/63
6503	EA1.50.1793	WASHER, cup, Dzus fastener retaining Attaching parts for EA9.50.28:—	10	DTD124A	C	PB3/64
1025	EEAS1/1C	Screw, 2BA	10	S11	C	PB3/65
15558	EA6.50.468	COWL, TOP, REAR, ASSEMBLY Spares for:—	1	—	A	PB4/28
	EA6.50.470	COWL, top rear	1	—	—	PB4/1B
28FP/4062396	FJ5/60DS	FASTENER, Dzus	4	—	C	PB4/2
28FP/4062398	FJ5/70DS	FASTENER, Dzus	4	—	C	PB4/3
28FP/4062400	FJ5/80DS	FASTENER, Dzus	2	—	C	PB4/4
633	EA1.50.281	FASTENER, TOGGLE, ASSEMBLY Spares for:—	2	—	C	PB4/11
16312	EA1.50.95	HANDLE, TOGGLE, FASTENER, ASSEMBLY Spares for:—	1	—	C	PB4/6
19837	EA1.50.33	BUSH	2	—	—	PB4/6A
	EA1.50.25	HANDLE, toggle	1	—	—	PB4/6B
	EA1.50.27	LINK	1	—	—	PB4/6C
		Attaching parts for EA1.50.27:—				
28P/1040788	SP90C8	Pin, split, 1/16" dia	1	—	C	PB4/6D
24861	EA1.50.39	Tube	1	—	C	PB4/6E
	TERRY					
29H/4658471	169/1	RING, split	1	—	C	PB4/7
635	EA1.50.49	SPRING, 19 SWG	1	Spring Steel	C	PB4/8
		Attaching parts for EA1.50.95:—				
16313	EA1.50.155	Pin, stud, special	2	S11	C	PB4/9
28P/9527619	SP90C7	Pin, split	2	—	C	PB4/10
16314	EA1.50.169	HOUSING, toggle	1	—	C	PB4/10B

POWER INSTALLATION
COWLING ENGINE STARBOARD

Ref. No.	Part No.	Description	No. off	Matl. Spec.	Cl. of Equip M.R. L.M.	Plate No.
634	EA1.50.282	FASTENER, TOGGLE, ASSEMBLY Spares for:—	2	—	C	PB4/5
16312	EA1.50.95	HANDLE, TOGGLE, FASTENER, ASSEMBLY Spares for:—	1	—	C	PB4/6
19837	EA1.50.33	BUSH	2	—	—	PB4/6A
	EA1.50.25	HANDLE, toggle	1	—	—	PB4/6B
	EA1.50.27	LINK	1	—	—	PB4/6C
28P/1040788	SP90C8	Attaching parts for EA1.50.27:— Pin, split, 1/16" dia	1	—	C	PB4/6D
24861	EA1.50.39	Tube	1	—	C	PB4/6E
29H/4658471	TERRY 169/1	RING, split	1	—	C	PB4/7
635	EA1.50.49	SPRING, 19 SWG	1	Spring Steel	C	PB4/8
18192	EA1.50.51	Attaching parts for EA1.50.49:— Pin	1	—	C	PB4/8A
28P/1016032	SP4Y/H16	PIN	1	—	C	PB4/8B
28P/1221260	SP90E6	PIN, split, 3/32" dia	1	—	C	PB4/8C
16313	EA1.50.155	Attaching parts for EA1.50.95:— Pin, stud, special	2	S11	C	PB4/9
28P/1220716	SP90E4	Pin, split, 3/32" dia	2	—	C	PB4/10
16315	EA1.50.170	HOUSING, toggle	1	—	C	PB4/10A
637	EA1.50.284	FASTENER, TOGGLE ASSEMBLY Spares for:—	2	—	C	PB4/18
7133	EA1.50.97	HANDLE, TOGGLE FASTENER, ASSEMBLY Spares for:—	1	—	C	PB4/13
	EA1.50.31	BUSH	2	—	—	PB4/13A
	EA1.50.41	HANDLE, toggle	1	—	—	PB4/13B
	EA1.50.43	LINK	1	—	—	PB4/13C
28P/1040788	SP90C8	Attaching parts for EA1.50.43:— Pin, split, 1/16" dia	1	—	C	PB4/13D
21023	EA1.50.47	Tube	1	—	C	PB4/13E
29H/4658471	TERRY 169/1	RING, split	1	—	C	PB4/14
635	EA1.50.49	SPRING	1	Spring Steel	C	PB4/15
6148	EA1.50.99	Attaching parts for EA1.50.49:— Pin	1	—	C	PB4/15A
28P/1016032	SP4Y/H16	PIN	1	—	C	PB4/15B
28P/1221260	SP90E6	PIN, split, 3/32" dia	1	—	C	PB4/15C
17661	EA1.50.157	Attaching parts for EA1.50.97:— Pin, stud special	2	S11	C	PB4/16
28P/19128	SP90E4	Pin, split	2	—	C	PB4/17
17662	EA1.50.172	HOUSING, toggle	1	—	C	PB4/17B

POWER INSTALLATION
COWLING ENGINE STARBOARD

Ref. No.	Part No.	Description	No. off	Matt. Spec.	Cl. of Equip M.R. L.M.	Plate No.
636	EA1.50.283	. . . FASTENER, TOGGLE, ASSEMBLY Spares for:—	2	—	C	PB4/12
7133	EA1.50.97	. . . HANDLE, TOGGLE, FASTENER, ASSEMBLY Spares for:—	1	—	C	PB4/13
	EA1.50.31 BUSH	2	—	—	PB4/13A
	EA1.50.41 HANDLE, toggle	1	—	—	PB4/13B
	EA1.50.43 LINK Attaching parts for EA1.50.43:—	1	—	—	PB4/13C
28P/1040788	SP90C8 Pin, split, 1/16" dia	1	—	C	PB4/13D
21023	EA1.50.47 Tube	1	—	C	PB4/13E
	TERRY					
29H/4658471	169/1 RING, split	1	—	C	PB4/14
635	EA1.50.49 SPRING, 19 SWG Attaching parts for EA1.50.49:—	1	—	C	PB4/15
6148	EA1.50.99 Pin	1	—	C	PB4/15A
28P/1016032	SP4Y/H16 PIN	1	—	C	PB4/15B
28P/1220716	SP90E4 PIN, split, 3/32" dia Attaching parts for EA1.50.97:—	1	—	C	PB4/15C
17661	EA1.50.157 Pin, stud special	2	S11	C	PB4/16
28P/1220716	SP90E4 Pin, split, 3/32" dia	2	—	C	PB4/17
16316	EA1.50.171 HOUSING, toggle	1	—	C	PB4/17A
628	EA1.50.161 PANEL, toggle fastener housing	8	—	C	PA4/19
	DZUS					
28FP/341	S5/325 SPRING	8	—	C	PB4/20
6503	EA1.50.1793 WASHER, cup, Dzus fastener retaining	10	DTD124A	C	PB4/21
5696	EA6.50.593 DUCT, air compressor bleed valve Attaching parts for EA6.50.593:—	2	—	C	PB2/7
28D/1218444	AS1242/1E Bolt, 1/4" BSF	16	—	C	PB2/8
5699	EA6.50.501 DUCT, engine starter exhaust (Pre—Mod 2129)	3	—	C	PB2/9
25924	EA6.50.979 DUCT, engine starter exhaust (Mod. 2129) Attaching parts for EA6.50.501 and EA6.50.979:—	3	—	C	PB2/10
28D/1218444	AS1242/1E Bolt, 1/4" BSF	8	—	C	PB2/11
640	EA1.50.109 FORK-END, fitting, toggle fastener Attaching parts for EA1.50.109:—	2	S11	C	PB2/12
28P/4706207	SP4Y/D6 Pin, shackle	1	—	C	PB2/12A
28P/9710567	SP90C4 Pin, split, 1/16" dia	1	—	C	PB2/12B
642	EA1.50.135 FORK-END, fitting, toggle fastener Attaching parts for EA1.50.135:—	6	DTD683	C	PB2/13
28P/4706207	SP4Y/D6 Pin, shackle	1	—	C	PB2/13A
28P/9710567	SP90C4 Pin, split, 1/16" dia	1	—	C	PB2/13B

POWER INSTALLATION
COWLING ENGINE STARBOARD

Part Number	Description	No. Off	Matl. Spec.	Plate No.
EA1.50.137	. FORK-END, fitting, toggle fastener Attaching parts for EA1.50.137 :-	8	DTD683	PB2/14
SP4Y/F10	. Pin, shackle	1	-	PB2/14A
SP90E4	. Pin, split, 3/32" dia	1	-	PB2/14B
EA1.50.159	. FORK-END, fitting, toggle fastener Attaching parts for EA1.50.159 :-	1	DTD683	PB2/34
SP4Y/D8	. Pin, shackle	1	-	PB2/35
SP90C4	. Pin, split, 1/16" dia	1	-	PB2/17
EA1.50.29	. HOOK, cowl, toggle fastener	8	S11	PB2/18
EA1.50.45	. HOOK, cowl, toggle fastener	9	S11	PB2/19
A27ET	. NUT, 1/4" BSF	16	-	PB2/24B
A27GT	. NUT, 5/16" BSF	16	-	PB2/24C
EA6.50.261	. PANEL, ENGINE SERVICE, ASSEMBLY	1	-	PB4/29
EA1.50.283	. . . FASTENER, TOGGLE, ASSEMBLY Spares for :-	2	-	PB4/12
EA1.50.97	. . . HANDLE, TOGGLE FASTENER, ASSEMBLY Spares for :-	2	-	PB4/13
EA1.50.31 BUSH	2	-	PB4/13A
EA1.50.41 HANDLE, toggle	1	-	PB4/13B
EA1.50.43 LINK	1	-	PB4/13C
SP90C8 Pin, split, 1/16" dia	1	-	PB4/13D
EA1.50.47 Tube	1	-	PB4/13E
TERRY 169/1 RING, split	1	-	PB4/14
EA1.50.49 SPRING, 19 SWG	1	Spring Steel	PB4/15
EA1.50.99 Attaching parts for EA1.50.49 :- Pin	1	-	PB4/15A
SP4Y/H16 PIN	1	-	PB4/15B
SP90E6 PIN, split, 3/32" dia	1	-	PB4/15C
EA1.50.157 Attaching parts for EA1.50.97 :- Pin, stud special	2	-	PB4/16
SP90E4 Pin, split, 3/32" dia	2	-	PB4/17
EA1.50.171	. . . HOUSING, toggle	1	-	PB4/17A

POWER INSTALLATION
COWLING ENGINE STARBOARD

Part Number	Description	No. Off	Matl. Spec.	Plate No.
EA1.50.284	. . . FASTENER, TOGGLE, ASSEMBLY Spares for :-	2	-	PB4/18
EA1.50.97	. . . HANDLE, TOGGLE FASTENER, ASSEMBLY Spares for :-	1	-	PB4/13
EA1.50.31 BUSH	2	-	PB4/13A
EA1.50.41 HANDLE, toggle	1	-	PB4/13B
EA1.50.43 LINK	1	-	PB4/13C
SP90C8 Attaching parts for EA1.50.43 :-	1	-	PB4/13D
EA1.50.47 Pin, split, 1/16" dia	1	-	PB4/13E
TERRY				
169/1 RING, split	1	-	PB4/14
EA1.50.49 SPRING, 19 SWG	1	-	PB4/15
EA1.50.99 Attaching parts for EA1.50.49 :- Pin	1	-	PB4/15A
SP4Y/H16 PIN	1	-	PB4/15B
SP90E6 PIN, split, 3/32" dia	1	-	PB4/15C
EA1.50.157 Attaching parts for EA1.50.97 :- Pin, stud, special	2	-	PB4/16
EP90E4 Pin, split, 3/32" dia	2	-	PB4/17
EA1.50.172 HOUSING, toggle	1	-	PB4/17B
EA6.50.259	. . . PANEL, SERVICE, ASSEMBLY Spares for :-	1	-	PB4/30
EA6.50.283 DUCT, ventilating (Pre-Mod 2127)	2	-	PB4/24
EA9.50.39 DUCT, ventilating (Mod 2127)	2	-	PB4/25
EA6.50.951 FRAME 2A, engine, assembly Spares for:-	1	-	
R EE11/2 EXTRUSION (SAS4769) Attaching parts for EE11/2:-	QR	-	PB4/31
R EC1099 Adhesive (SAS4769)	QR	-	
EA1.50.161	. . . PANEL, toggle fastener housing	4	-	PB4/26
DZUS				
S5/325	. . . SPRING	4	-	PB4/27
EA1.50.111	. . . ROD-END, fitting toggle fastener front inboard attachment of service panel Attaching parts for EA1.50.111:-	1	DTD683	PB2/36
SP4Y/D15	. . . Pin, shackle	1	-	PB2/37
SP90C4	. . . Pin, split, 1/16" dia	1	-	PB2/37A
EA6.50.31	. . . ROD, toggle fastener, front outboard attachment service panel	1	-	PB2/38
EA1.50.119	. . . ROD, toggle fastener, at station 'A'	4	-	PB2/25
EA1.50.121	. . . ROD, toggle fastener, front inboard attachment service panel	1	-	PB2/39
EA1.50.125	. . . ROD, toggle fastener, rear attachment of service panel	2	-	PB2/27
EA1.50.129	. . . ROD, toggle fastener, at station 'B'	4	-	PB2/28
EA1.50.131	. . . ROD, toggle fastener, at station 'C' top cowl attachment	2	-	PB2/29
EA1.50.133	. . . ROD, toggle fastener, at station 'C' bottom cowl attachment	2	-	PB2/30
EEAS1/8E	. . . SCREW, 1/4" BSF, for attachment of hinge bracket on fire wall	2	S11	PB2/31
EA1.50.101	. . . SPRING, toggle hook tension	4	-	PB2/32

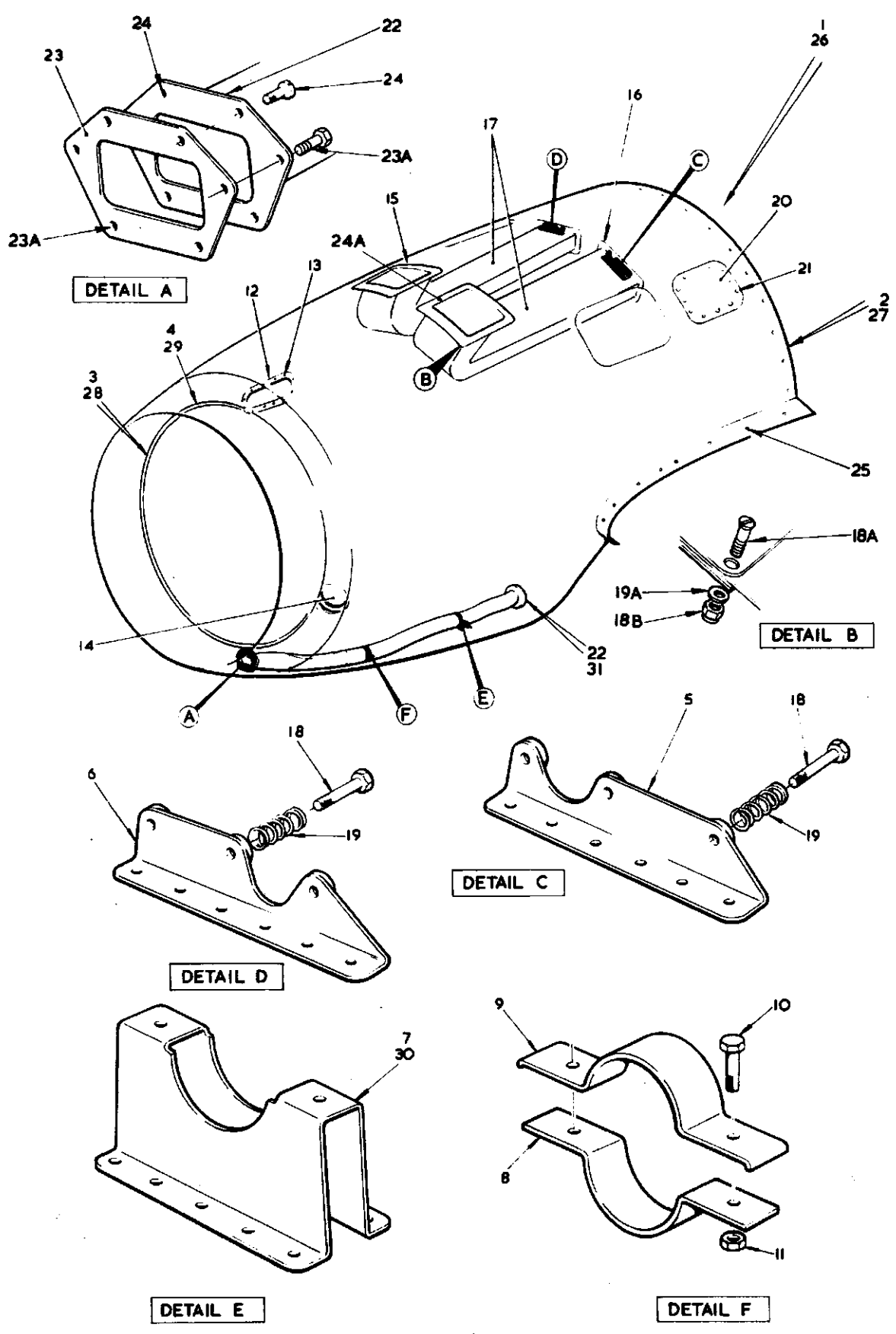


FIG 1 COWLING ENGINE PORT AND STBD

CODE TZ

SECT PA/PB

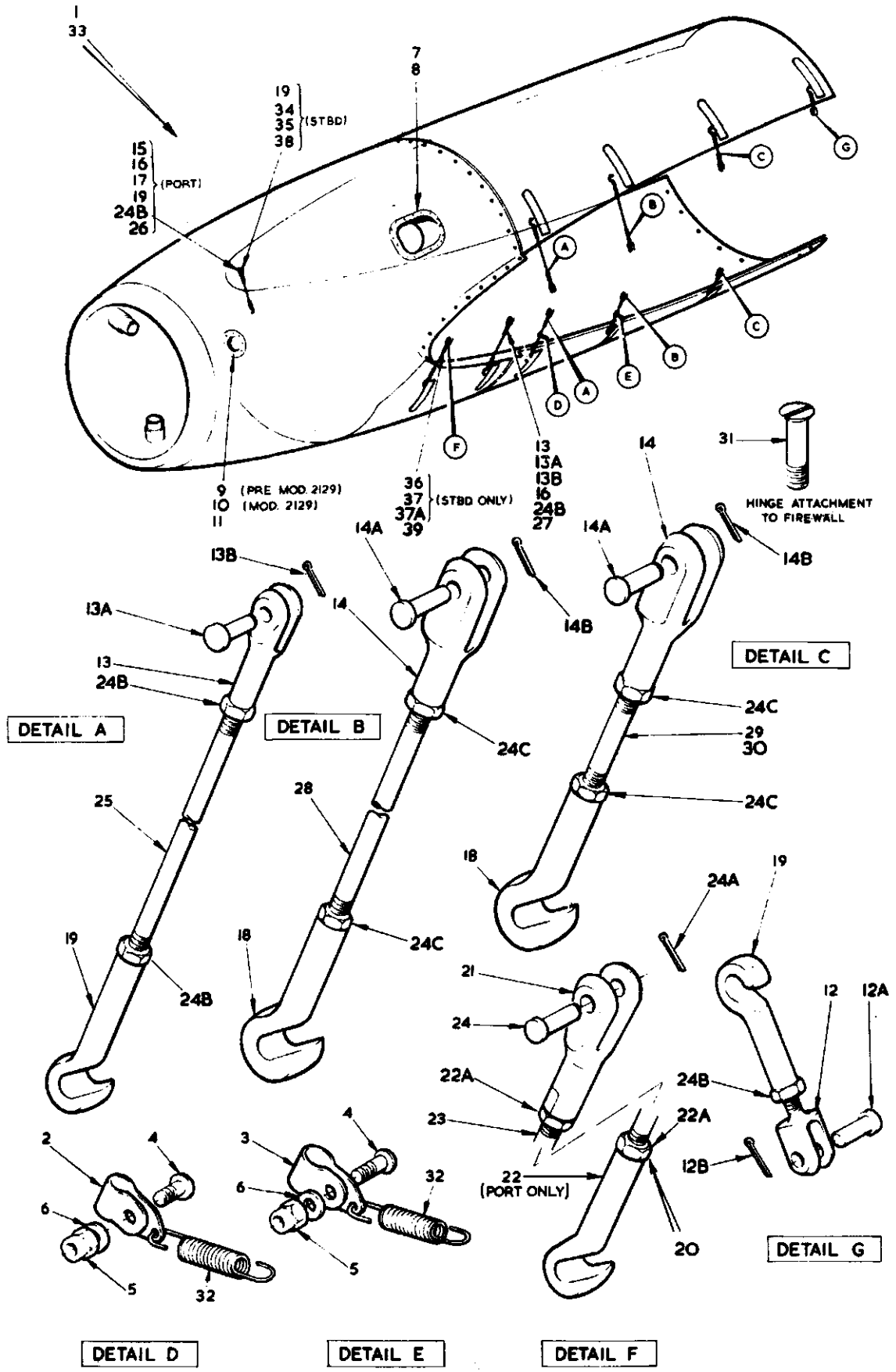


FIG 2 COWLING ENGINE PORT AND STBD

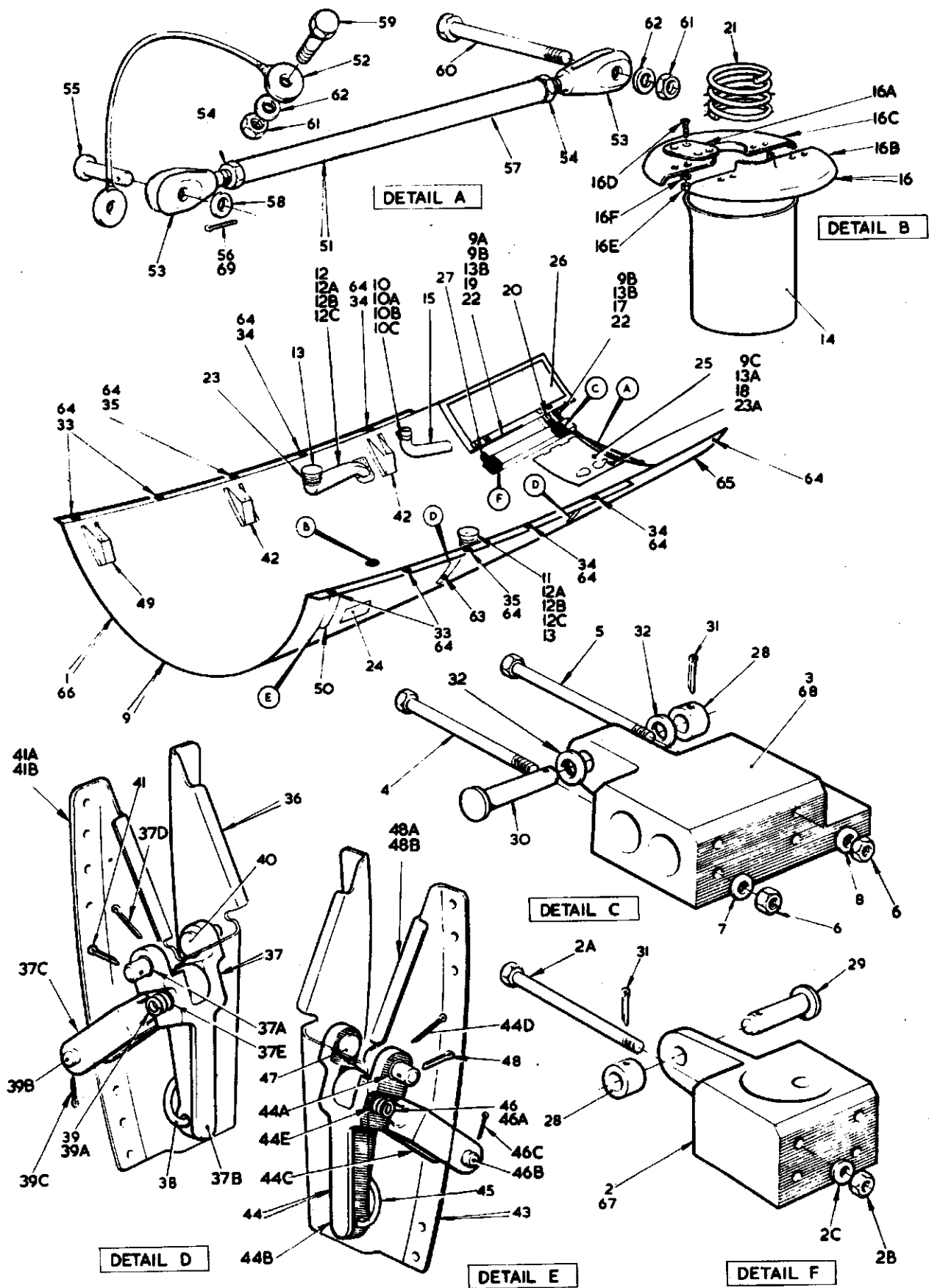


FIG 3 COWLING ENGINE PORT AND STBD

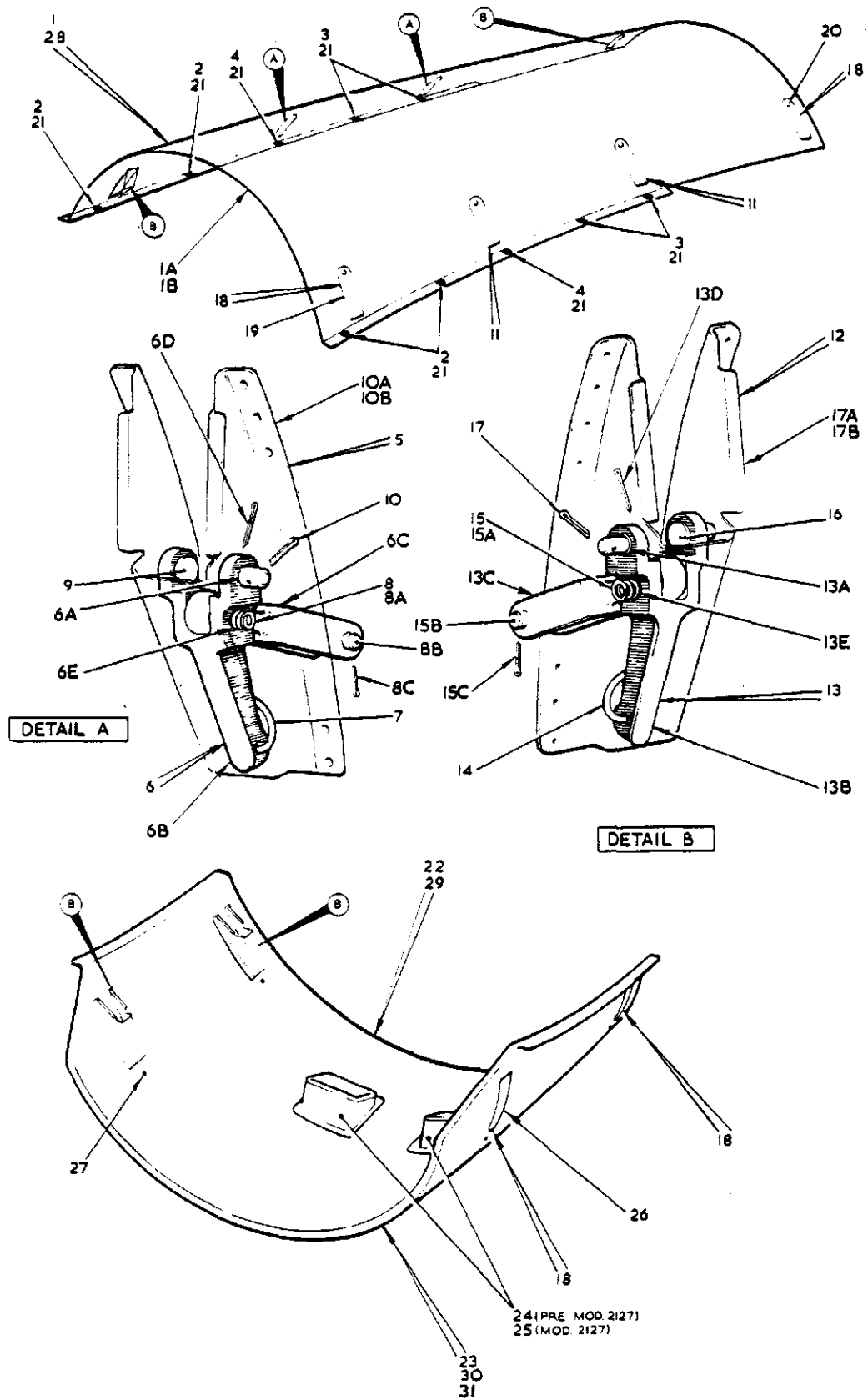


FIG4 COWLING ENGINE PORT AND STBD

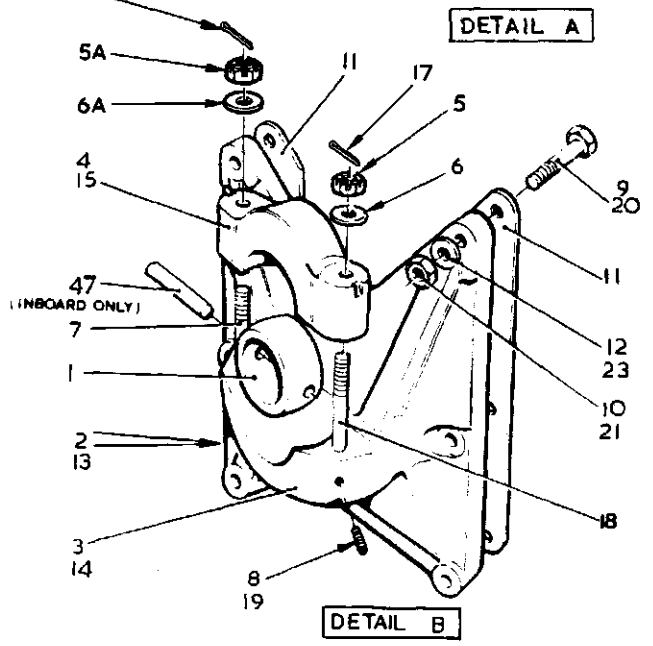
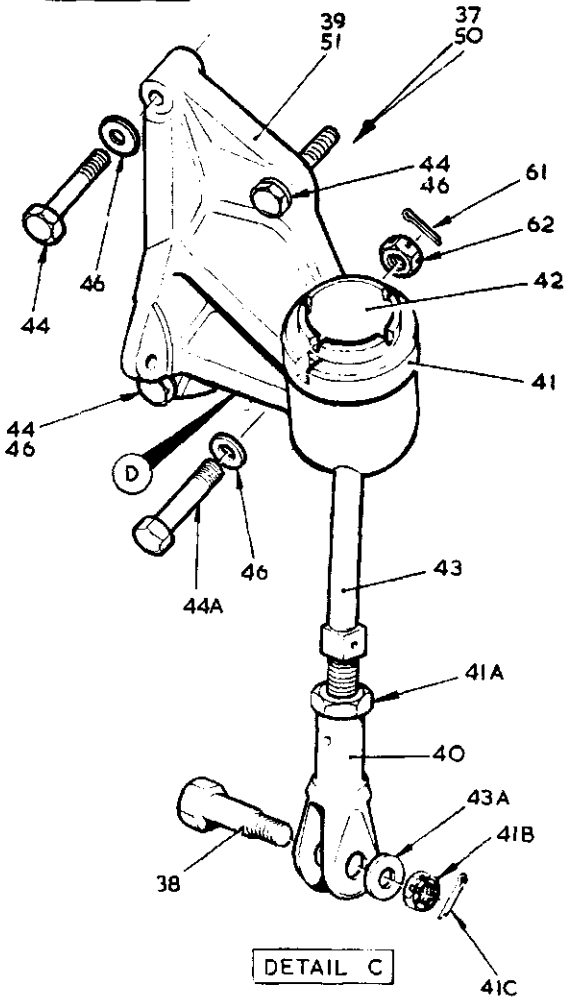
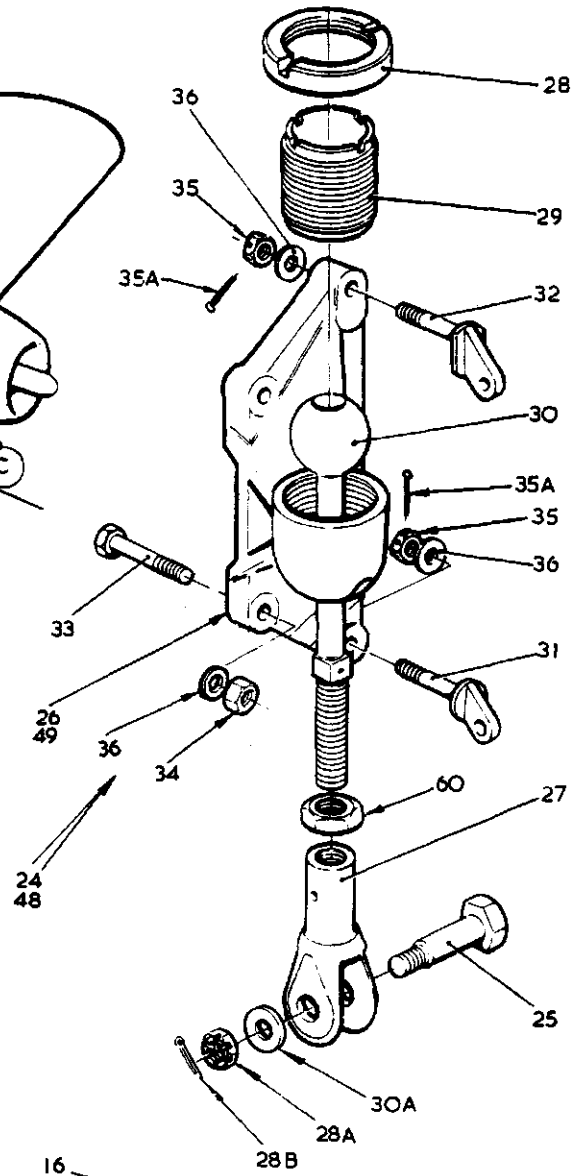
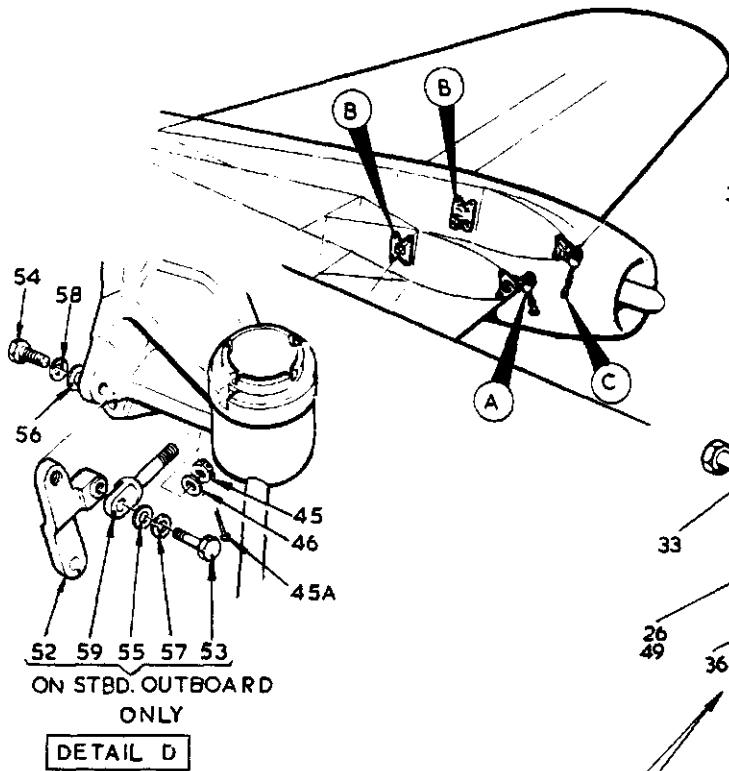


FIG1 ENGINE MOUNTINGS & ATTACHMENTS PORT & STBD

CODE RSTZ

SECT PC/PD

This file was downloaded
from the RTFM Library.

Link: www.scottbouch.com/rtfm

Please see site for usage terms,
and more aircraft documents.

