

AP101B-0415-3A

## POWER INSTALLATION

## RA7 ENGINE INSTALLATION, PORT

Part Number	Description	No. Off	Mati. Spec.	Plate No.
EA6.00.13	RA7 ENGINE, INSTALLATION, PORT	—	—	PE1/1
	Spares for :—			
EB7.75.117	. ADAPTOR	1	S91	PE1/2
12K/9631036	. CARTRIDGE, No. 10, Mk. 3	QR	—	PE1/3
K.A.C. Co.				
1½" ASC4205	. CLAMP	2	—	PE1/4
EB7.50.85	. CONNECTION, banjo	1	L65	PE1/5
EB7.50.23	. ELBOW	1	—	PE1/6
EA1.60.5	. FIRE PROTECTION SYSTEM IN ENGINE BAY (See Chapter SF)	—	—	PE1/7
EB7.50.25	. FITTING, end, hot air valve	1	L65	PE1/15
	Attaching parts for EB7.50.25 :—			
AGS2001E1/66	. Nut, ½" BSF	4	—	PE1/16
SP13E	. Washer	4	—	PE1/17
EB7.50.73	. GASKET, for shut off valve end fitting	1	L59	PE1/18
EB7.50.75	. GASKET, for shut off valve elbow	1	L59	PE1/19
EB7.75.119	. GASKET, for anti-icing and cabin pressure pipe, engine connection	2	L59	PE1/20
EB7.75.115	. GASKET, for wheel case breather pipe, engine connection	1	L59	PE1/21
EA6.50.833	. HOSE, metallic (Pre-Mod 5252)	1	—	PE1/22
EA6.50.993	. HOSE, metallic (Mod 5252)	1	—	PE1/23
BA33792	. PIPE-JET	1	—	PE1/24
EA1.57.15	. PIPE, flexible, fuel (Dunlop Pt. No. AHM541/21.0)	1	WH2/1	PE1/24
EA1.57.16	. PIPE, flexible, fuel (Dunlop Pt. No. AHM541/21.0)	1	WH2/1	PE1/25
EA1.60.57	. PIPE, flexible (Dunlop Pt. No. AHO24508/10.75)	1	WH2/1	PE1/26
EA6.50.869	. PIPE, fuel drain (Pre-Mod 4726)	1	DTD323	PE1/27
EA3.50.37	. PIPE, fuel drain, assembly (Mod 4726)	1	—	PE1/27
	Spares for :—			
SP93A12	. GROMMET	2	—	PE1/9
EA3.50.35	. PIPE, fuel drain	1	DTD5019	PE1/10
EB7.50.106	. PIPE, assembly, breather, 1½" o/d x 20 SWG	1	L54	PE1/28
EB7.50.133	. PIPE, flanged, breather, 1½" o/d x 20 SWG	1	T26	PE1/29
EB7.57.189	. PIPE, flexible, air	1	—	PE1/30
EB7.61.83	. PIPE, flexible, air (Pre-Mod 3460)	1	—	PE1/31
EB7.61.133	. PIPE, flexible, air (Mod 3460)	1	—	PE1/31
EB7.75.109	. PIPE, flexible, cabin pressure system (Pre-Mod 5252)	1	—	PE1/33
EB7.75.1071	. PIPE, flexible (Mod 5252)	1	—	PE1/33
EEAS66/5	. RING, clamping	4	L72	PE1/34
36VV3784	. RING, sealing	1	—	PE1/35
BELLS				
ASBESTOS				
AS5402	. RING, sealing	2	—	PE1/36
DUNLOP				
DAS393/24/3	. SLEEVE	2	—	PE1/37
EA3.81.1105	. THERMO-COUPLE, assembly	4	—	PE1/38
	Spares for :—			
6A5452	. THERMO-COUPLE	1	—	PE1/39
SLP80WE	. TUBE	1	—	PE1/40

POWER INSTALLATION  
RA7 ENGINE INSTALLATION, PORT

Part Number	Description	No. Off	Matl. Spec.	Plate No.					
				1	2	3	4	5	6
EA6.47.141	. TUBE, CONTROL, THROTTLE AND SHUT-OFF COCK (LESS BALL JOINT HOUSING) Spares for :-	2	-						PE1/41
EA3.47.55	. . . FORK-END	1	-						PE1/42
A27ET	. . . NUT, 1/4" BSF	1	-						PE1/11
A27ETL	. . . NUT, 1/4" BSF L.H.	1	-						PE1/12
SP28G6	. . . PIN, taper	4	-						PE1/13
EA1.47.263	. . . PLUG, end	1	-						PE1/14
EA1.47.143	. . . TUBE	1	-						PE1/32
EA1.47.359	. . . TURNBUCKLE	1	-						PE1/43
	Attaching parts for EA6.47.141 (at airframe end only) :-								
EEAS12/1	. Bolt, special	1	S11						PE1/44
EEAS63	. Nut, special	1	S11						PE1/45
SP90C7	. Pin, split, 1/16" dia	1	-						PE1/46
SP15C	. Washer	2	-						PE1/47
EB7.50.31	. VALVE, HOT AIR, ASSEMBLY Spares for :-	-	-						PE1/48
E.E. Co. LTD. TYPE 234 TEDDINGTON FKH/A16	. . . ACTUATOR	1	-						PE1/49
	. . . VALVE, 1 1/2"	1	-						PE1/50
	Attaching parts for EB7.50.31 :-								
AGS2001E1/66	. Nut, 1/4" BSF	4	-						PE1/51
SP13E	. Washer	4	-						PE1/52
EB6.20.181	. VENT SYSTEM, ENGINE, INSTALLATION Spares for :-	-	-						PE2/1
EB6.20.959	. . . AIR INTAKE, FOR ZONE 2 COOLING, IN INNER WING LEADING EDGE, ASSEMBLY Spares for :-	-	-						PE2/2
EB7.20.420	. . . BRACKET, pipe, support Attaching parts for EB7.20.420 :-	1	L59						PE2/3
A25/3B	. . . Bolt, 4BA	3	-						PE2/4
AGS2001B1	. . . Nut, 4BA	3	-						PE2/5
SP13B	. . . Washer	3	-						PE2/6
SP91L	. . . CLIP	5	-						PE2/31
AGS1661M	. . . CLIP, bonding Attaching parts for AGS1661M :-	1	-						PE2/32
A27BP	. . . Nut	1	-						PE2/33
SP47B	. . . Washer, spring	1	-						PE2/34
EB6.20.129	. . . DUCT, air spill, R.H. inner wing	1	L59						PE2/7
EB6.20.130	. . . DUCT, air spill, R.H. inner wing Attaching parts for EB6.20.129 and EB6.20.130 :-	1	L59						PE2/8
A25/2C	. . . Bolt, 2BA	1	-						PE2/9
AGS2002C1/66	. . . Nut, 2BA	1	-						PE2/10
SP13C	. . . Washer	1	-						PE2/11

## RA7 ENGINE INSTALLATION, PORT

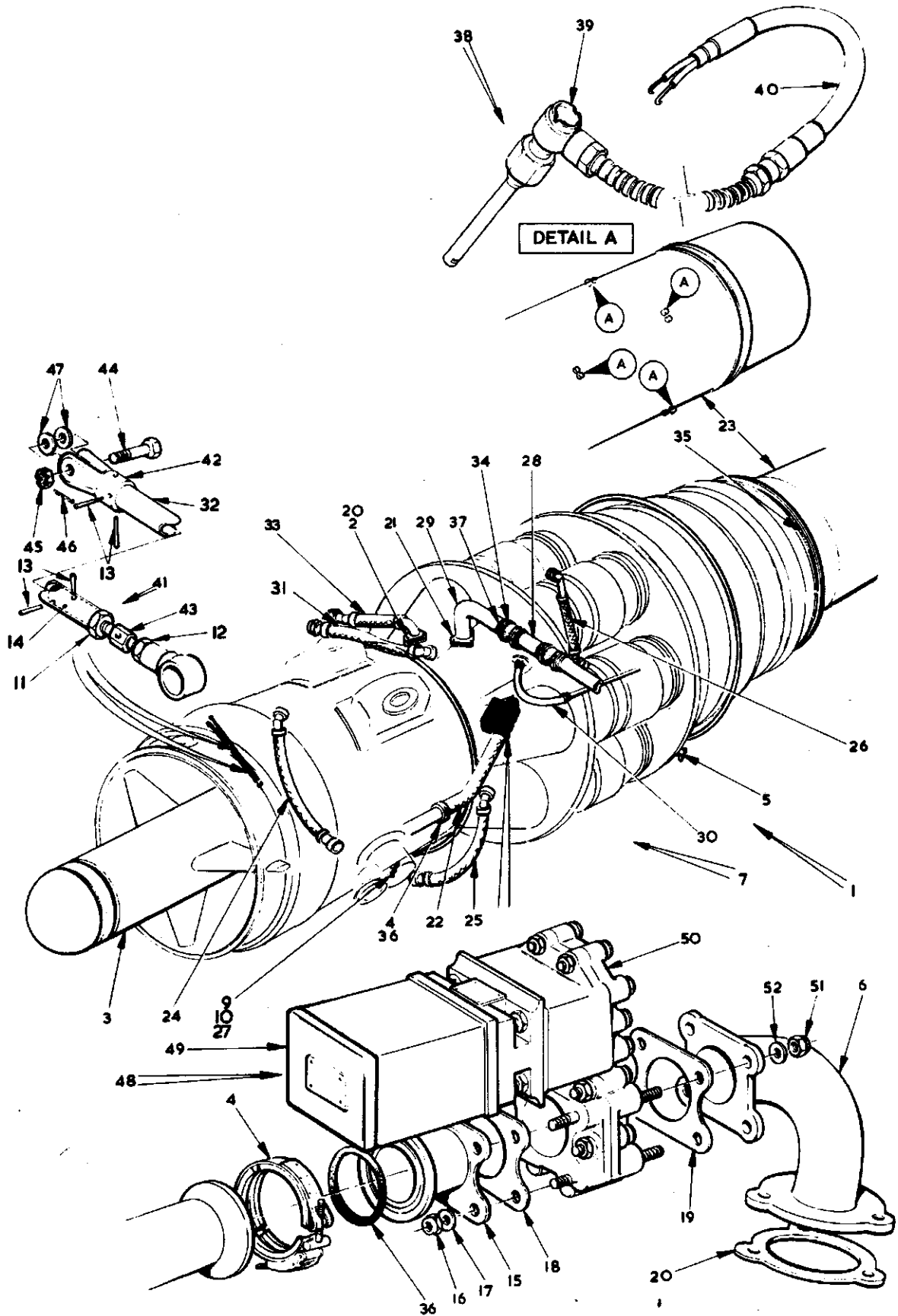
Part Number	1 2 3 4 5 6	Description	No. Off	Matl. Spec.	Plate No.
EB7.20.289	. . .	DUCT, air spill R.H. on inboard engine rib	1	L59	PE2/12
EB7.20.291	. . .	DUCT, air spill L.H. on inboard engine rib	1	L59	PE2/13
		Attaching parts for EB7.20.289 and EB7.20.291 :-			
A25/3B	. . .	Bolt, 4BA	8	-	PE2/14
A25/3C	. . .	Bolt, 2BA	1	-	PE2/35
AGS2001B1	. . .	Nut, 4BA	8	-	PE2/15
AGS2001C1/66	. . .	Nut, 2BA	1	-	PE2/36
SP13B	. . .	Washer	8	-	PE2/16
SP13C	. . .	Washer	1	-	PE2/37
EA9.20.3241	. . .	DUCT, air entry	1	L59	PE2/17
		Attaching parts for EA9.20.3241 :-			
EEAS11½C	. . .	Screw, 2BA	8	S96	PE2/18
EA9.20.1025	. . .	HOSE, rubber, pipe, connection	2	-	PE2/19
AS336086B	. . .	LEAD, bonding	1	-	PE2/38
EA9.20.1017	. . .	PIPE, air intake	1	L59	PE2/20
EB7.20.427	. . .	PLATE, reinforcing, air intake	1	L72	PE2/21
EB6.20.559	. . .	BRACKET, support	1	-	PE3/1
EEAS143/26	. . .	CLIP, pipe	4	L72	PE3/2
		Attaching parts for EEAS143/26 :-			
A25/1C	. . .	Bolt, 2BA	1	-	PE3/3
AGS2001C1/66	. . .	Nut, 2BA	1	-	PE3/4
EEAS21/2ER	. . .	Washer, 'D'	1	L72	PE3/5
SP15C	. . .	Washer	1	-	PE3/6
EB6.20.131	. . .	DUCT, air	1	L59	PE2/22
EB6.20.132	. . .	DUCT, air	1	L59	PE2/23
		Attaching parts for EB6.20.131 and EB6.20.132 :-			
A25/2C	. . .	Bolt, 2BA	1	-	PE2/24
AGS2001C1/66	. . .	Nut, 2BA	1	-	PE2/25
SP13C	. . .	Washer	1	-	PE2/26
EB6.20.133	. . .	DUCT, air	1	L59	PE2/27
		Attaching parts for EB6.20.133 :-			
A25/1B	. . .	Bolt, 4BA	12	-	PE2/28
AGS2001B1	. . .	Nut, 4BA	12	-	PE2/29
SP13B	. . .	Washer	12	-	PE2/30
EB6.20.557	. . .	GASKET	4	-	PE3/7
EA3.57.185	. . .	HOSE	2	-	PE4/1
EB6.20.555	. . .	PIPE, connecting top and bottom nozzle pipes	1	-	PE3/8

POWER INSTALLATION  
RA7 ENGINE INSTALLATION, PORT

Part Number	Description	No. Off	Matl. Spec.	Plate No.
EB6.50.21	. . . PIPE, ENGINE VENT, GROUND RUNNING, ASSEMBLY Spares for :-	-	-	PE3/9
EB6.50.73	. . . BRACKET, support	1	-	PE3/29
EB6.50.75	. . . BRACKET, support	1	-	PE3/30
EB6.50.29	. . . CLIP, pipe	2	L72	PE3/10
EB6.50.31	. . . CLIP, pipe Attaching parts for EB6.50.29 and EB6.50.31 :-	2	L72	PE3/11
A25/2C	. . . Bolt, 2BA	2	-	PE3/12
AGS2001C1/66	. . . Nut, 2BA	2	-	PE3/13
SP13C	. . . Washer	2	-	PE3/14
EB6.50.23	. . . PIPE	1	L54	PE3/15
EB6.20.553	. . . PIPE, nozzle, bottom	1	-	PE3/16
EB6.20.561	. . . PIPE, NOZZLE, TOP, ASSEMBLY Spares for :-	1	-	PE3/17
EB6.20.541	. . . ADAPTOR Attaching parts for EB6.20.541 :-	1	-	PE3/18
A25/19B	. . . Bolt, 4BA	1	-	PE3/19
A27BT	. . . Nut, 4BA	1	-	PE3/20
SP13B	. . . Washer	1	-	PE3/21
EB6.20.547	. . . PIPE, nozzle	1	-	PE3/22
EB6.20.543	. . . SPRING, compression Attaching parts for EB6.20.561 :-	1	-	PE3/23
A25/1C	. . . Bolt, 2BA	1	-	PE3/24
A25/2C	. . . Bolt, 2BA	2	-	PE3/25
AGS2001C1/66	. . . Nut, 2BA	3	-	PE3/26
SP13C	. . . Washer	3	-	PE3/27
EEAS66/9	. . . RING, clamping	4	-	PE4/2
EB6.20.505	. . . SHROUD, HEAT, FORWARD, ASSEMBLY Spares for :-	-	-	PE4/3
EB6.20.509	. . . BRACKET	12	-	PE4/4
EB6.20.503	. . . SHROUD, heat forward Attaching parts for EB6.20.505 :-	1	-	PE4/5
6R x 3/8"	. . . Screw, self tapping	12	-	PE4/28
EB6.20.511	. . . SHROUD, HEAT, REAR, ASSEMBLY Spares for :-	-	-	PE4/6
EB6.20.519	. . . BRACKET Attaching parts for EB6.20.519 :-	4	DTD124	PE4/7
AS1246/1C	. . . Bolt, round head, 2BA	4	-	PE4/29
AGS2001C1/66	. . . Nut, 2BA	4	-	PE4/30
SP13C	. . . Washer	4	-	PE4/31

POWER INSTALLATION  
RA7 ENGINE INSTALLATION, PORT

Ref. No.	Part No.	Description	No. off	Matl. Spec.	Cl. of Equip M.R. L.M.	Plate No.
18571	EB6.20.523	. . . BRACKET Attaching parts for EB6.20.519 and EB6.20.523:—	4	DTD124	C	PE4/8
28D/9130082	AS1246/3B	. . . Bolt, 4BA	1	—	C	PE4/9
28M/1278189	AGS2001B1	. . . Nut, 4BA	1	—	C	PE4/10
18575	EB6.20.533	. . . Washer, 'D'	2	—	C	PE4/11
28W/9419465	SP13B	. . . Washer	1	—	C	PE4/12
18570	EB6.20.521	. . . BRACKET Attaching parts for EB6.20.521:—	4	DTD124	C	PE4/13
28D/9140202	AS1246/1C	. . . Bolt, round head, 2BA	4	—	C	PE4/32
28M/1012015	AGS2001C1/66	. . . Nut, 2BA	4	—	C	PE4/33
28W/9419402	SP13C	. . . Washer	4	—	C	PE4/34
18572	EB6.20.525	. . . BRACKET Attaching parts for EB6.20.521 and EB6.20.525:—	4	DTD124	C	PE4/14
28D/9140203	AS1246/3C	. . . Bolt, 2BA	1	—	C	PE4/15
28M/1012015	AGS2001C1/66	. . . Nut, 2BA	1	—	C	PE4/16
18574	EB6.20.531	. . . Washer, 'D'	2	—	C	PE4/17
28W/9419402	SP13C	. . . Washer	1	—	C	PE4/18
18568	EB6.20.517	. . . PLATE Attaching parts for EB6.20.517:—	2	—	C	PE4/27
9436920	A25/1C	. . . Bolt, 2BA	6	—	C	PE4/24
28M/1012015	AGS2001C1/66	. . . Nut, stiff, 2BA	6	—	C	PE4/25
9419402	SP13C	. . . Washer	6	—	C	PE4/26
18566	EB6.20.513	. . . SHROUD, top	1	DTD171	C	PE4/19
18567	EB6.20.515	. . . SHROUD, bottom Attaching parts for EB6.20.517, EB6.20.513 and EB6.20.515:—	1	DTD171	C	PE4/20
28D/9436920	A25/1C	. . . Bolt, 2BA	6	—	C	PE4/21
28M/1012015	AGS2001C1/66	. . . Nut, 2BA	6	—	C	PE4/22
28W/9419402	SP13C	. . . Washer	6	—	C	PE4/23
2149	EA3.75.143	. . . SLEEVE, pipe connecting, 1" i/d x 2".5 long	2	Silastic	C	PE3/28



FIGI RA7 ENGINE STALLATION PORT

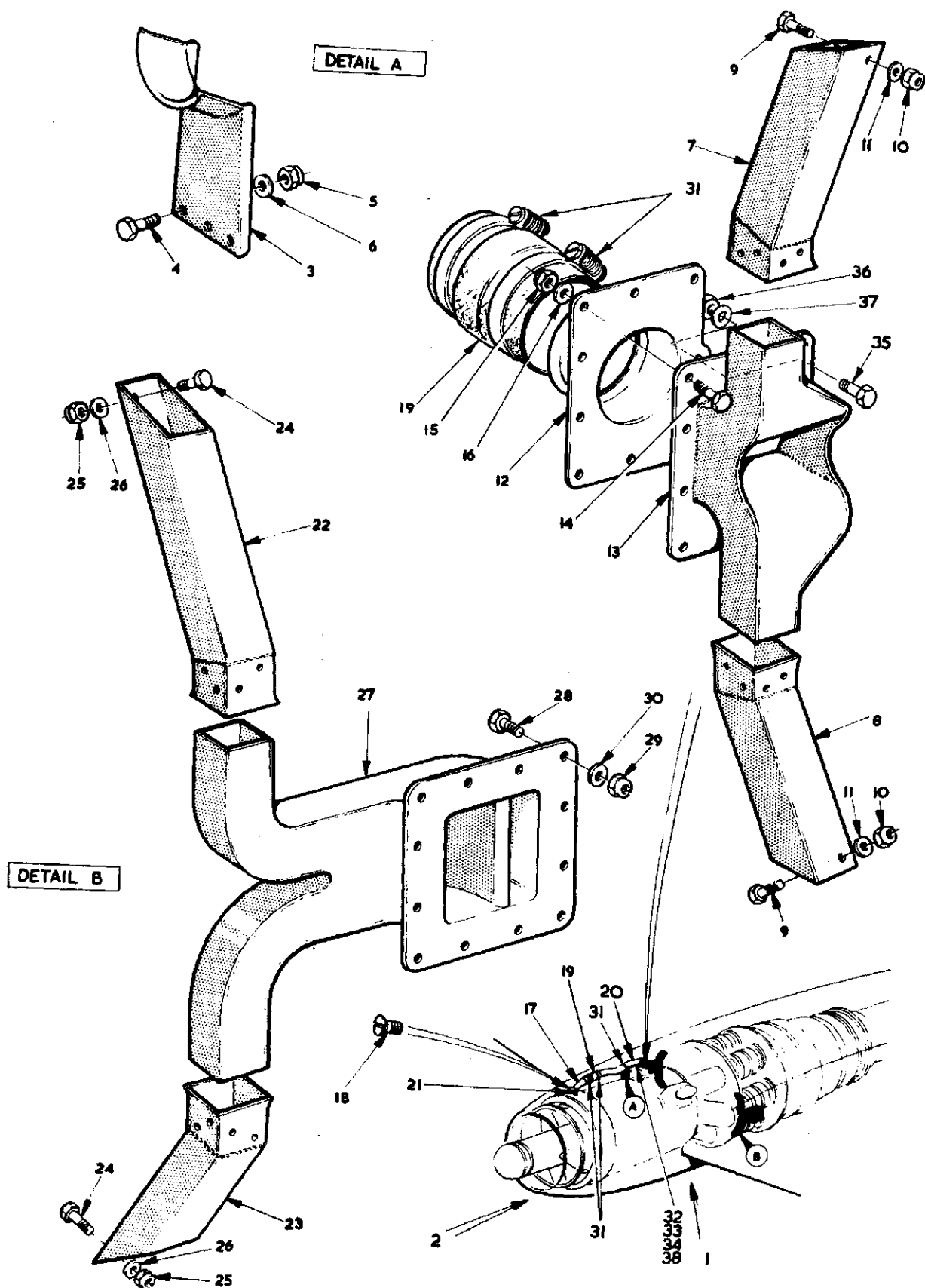


FIG 2 RA7 ENGINE INSTALLATION PORT SIDE

CODE TZ

SECT PE

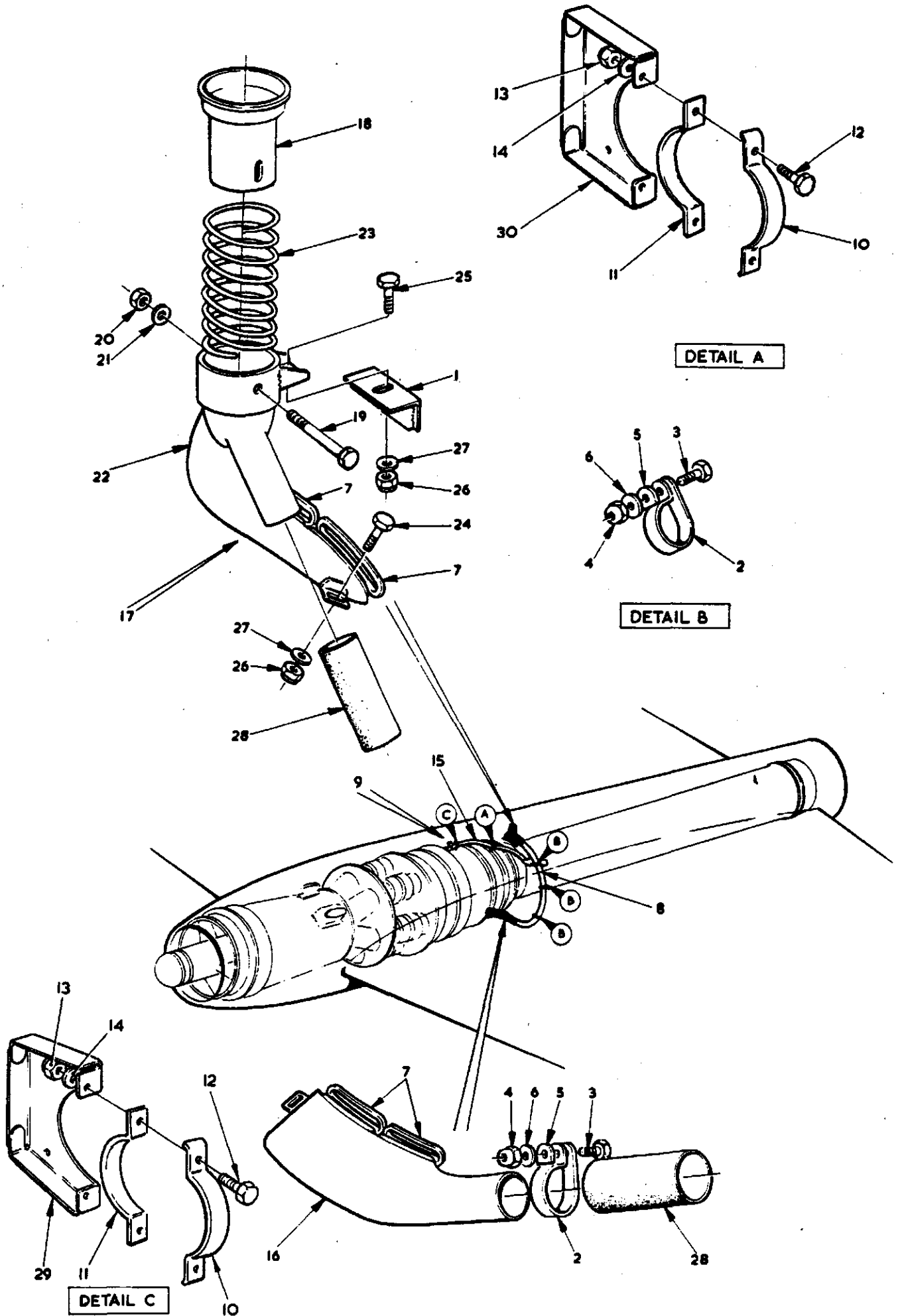


FIG3 RA7 ENGINE INSTALLATION PORT SIDE

CODE T2

SECT PE

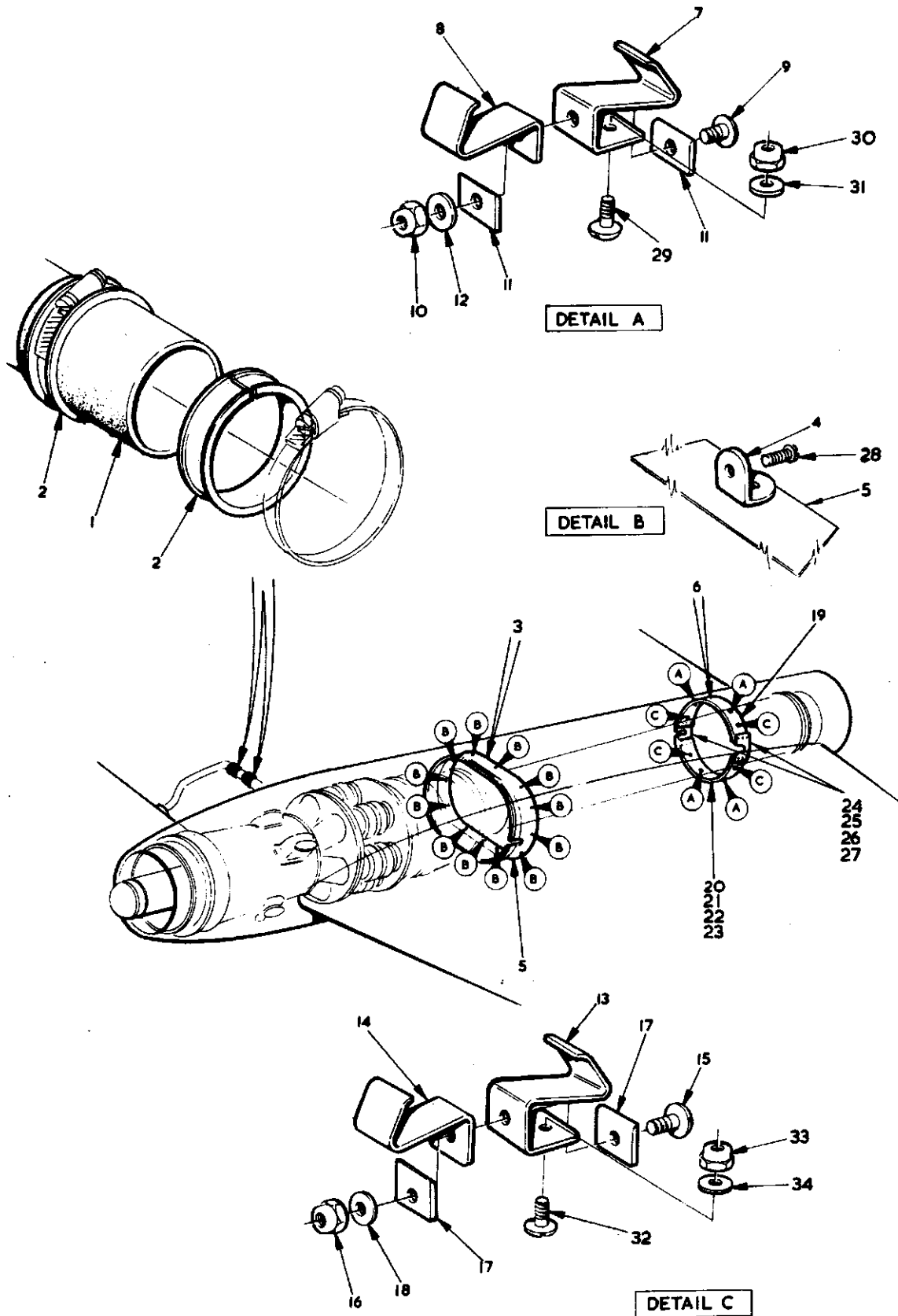


FIG.4RA7 ENGINE INSTALLATION PORT SIDE

CODE TZ

SECT PE

This file was downloaded  
from the RTFM Library.  
Link: [www.scottbouch.com/rtfm](http://www.scottbouch.com/rtfm)

Please see site for usage terms,  
and more aircraft documents.

