

POWER INSTALLATION
RA7 ENGINE INSTALLATION, STARBOARD

Part Number	Description	No. Off	Matl. Spec.	Plate No.					
				1	2	3	4	5	6
EA6.00.14	RA7 ENGINE, INSTALLATION, STARBOARD Spares for :-	-	-						PF5/1
EB7.75.117	. ADAPTOR	1	S91						PF5/2
12K/9631036	. CARTRIDGE, No. 10, Mk. 3	QR	-						PF5/3
K.A.C. Co. LTD.									
1½" AS/C4205	. CLAMP	2	-						PF5/4
EB7.50.85	. CONNECTION, banjo	1	L65						PF5/5
EB7.50.33	. ELBOW, pipe, assembly, hot air valve to engines	1	-						PF5/6
EA1.60.6	. FIRE PROTECTION SYSTEM IN ENGINE BAY (See Chapter SF)	-	-						
EB7.50.25	. FITTING, end, hot air valve Attaching parts for EB7.50.25 :-	1	L65						PF5/7
AGS2001E1/66	. Nut, ½" BSF	4	-						PF5/8
SP13E	. Washer	4	-						PF5/9
EB7.50.73	. GASKET, for shut off valve, end fitting	1	L59						PF5/10
EB7.50.75	. GASKET, for shut off valve, elbow	1	L59						PF5/11
EB7.75.119	. GASKET, for anti-icing and cabin pressure pipe engine connection	2	L59						PF5/12
EB7.75.115	. GASKET, for wheel case breather pipe engine connection	1	L59						PF5/13
EB7.50.21	. HOSE, metallic (Pre-Mod 5252)	1	-						PF5/14
EB7.50.145	. HOSE, metallic (Mod 5252)	1	-						
AGS572A	. NUT, slotted	2	-						PF5/14A
SP90C7	. PIN, split, 1/16" dia	2	-						PF5/14B
BA33792	. PIPE, jet	1	-						PF1/1
EA1.57.15	. PIPE, flexible, fuel (Dunlop Pt. No. AHM541/21.0)	1	WH2/1						PF1/2
EA1.57.16	. PIPE, flexible, fuel (Dunlop Pt. No. AHM542/21.0)	1	WH2/1						PF1/3
EA1.60.58	. PIPE, flexible, fireproof (Dunlop Pt. No. AHO24509/10.75)	1	WH2/1						PF1/4
EA6.50.869	. PIPE, fuel drain (Pre-Mod 4726)	1	DTD323						
EA3.50.37	. PIPE, FUEL DRAIN, INSTALLATION (MOD 4726) Spares for :-	1	-						PF1/5
SP93A12	. GROMMET	2	-						PF1/6
EA3.50.35	. PIPE, fuel drain, assembly	1	-						PF1/7
EB6.57.83	. PIPE, flexible, air (Pre-Mod 5448)	1	No. 501						PF5/15
EB6.57.351	. PIPE, flexible (Mod 5448)	1	-						
EB7.50.106	. PIPE, assembly, breather, 1½" o/d x 20 SWG	1	L54						PF1/8
EB7.50.134	. PIPE, flanged, breather 1½" o/d x 20 SWG	1	T26						PF1/9
EB7.61.85	. PIPE, flexible, air (Pre-Mod 3460)	1	-						PF1/10
EB7.61.135	. PIPE, flexible, air (Mod 3460)	1	-						PF1/11
EB7.75.109	. PIPE, flexible, cabin pressure system (Pre-Mod 5252)	1	-						PF1/12
EB7.75.1071	. PIPE, flexible (Mod 5252)	1	-						
EEAS66/5	. RING, clamping	4	L72						PF1/13
36VV3784	. RING, sealing	1	-						PF1/14
BELLS									
ASBESTOS									
AS5402	. RING, sealing, anti-icing pipe connection	2	-						PF5/16
DUNLOP									
DAS393/24/3	. SLEEVE, connecting, for wheel case breather	2	-						PF1/15
EA3.81.1105	. THERMO-COUPLE, ASSEMBLY Spares for :-	4	-						PF1/16
6A5452	. THERMO-COUPLE	1	-						PF1/17
SLP80WE	. TUBE	1	-						PF1/18

POWER INSTALLATION
RA7 ENGINE INSTALLATION, STARBOARD

Part Number	Description	No. Off	Mati. Spec.	Plate No.
EA1.47.519	. TUBE, CONTROL, THROTTLE, ASSEMBLY	1	-	PF5/17
	Spares for :-			
AGS385B	. . BALL-JOINT	1	-	PF5/18
EA3.47.41	. . FORK-END	1	-	PF5/19
A27ET	. . NUT, 1/4" BSF	2	-	PF5/19A
A27ETL	. . NUT, 1/4" BSF, L.H.	1	-	PF5/19B
EA1.47.525	. . PIECE, end	1	-	PF5/19C
SP90C5	. . PIN, split, 1/16" dia	1	-	PF5/19D
AGS167/12	. . PIN, taper	6	-	PF5/19E
AGS385C	. . PLUG	1	-	PF5/19F
EA1.47.503	. . PLUG, end	1	-	PF5/19G
EA1.47.527	. . PLUG, end	1	-	PF5/19H
AGS385A	. . SOCKET	1	-	PF5/19J
EA1.47.521	. . TUBE	1	-	PF5/19K
EA1.47.359	. . TURNBUCKLE	1	-	PF5/20
EA6.47.145	. TUBE, CONTROL, SHUT-OFF COCK, ASSEMBLY	1	-	PF5/21
	Spares for :-			
AGS385B	. . BALL-JOINT	1	-	PF5/22
EA3.47.41	. . FORK-END	1	-	PF5/23
A27ET	. . NUT, 1/4" BSF	2	-	PF5/23A
A27ETL	. . NUT, 1/4" BSF, L.H.	1	-	PF5/23B
SP90C5	. . PIN, split, 1/16" dia	1	-	PF5/23C
AGS167/12	. . PIN, taper	4	-	PF5/23D
AGS385C	. . PLUG	1	-	PF5/23E
EA1.47.263	. . PLUG, end	1	-	PF5/23F
EA3.47.39	. . PLUG, end	1	-	PF5/23G
AGS385A	. . SOCKET	1	-	PF5/23H
EA6.47.147	. . TUBE	1	-	PF5/23J
EA1.47.359	. . TURNBUCKLE	1	-	PF5/24
	Attaching parts for EA1.47.519 and EA1.47.145 :- (at airframe end only)			
EEAS12/1	. Bolt, special	1	S11	PF5/25
EEAS63	. Nut, special	1	S11	PF5/26
SP90C7	. Pin, split, 1/16" dia	1	-	PF5/27
SP15C	. Washer	2	-	PF5/28
EB7.50.31	. VALVE, HOT AIR, ASSEMBLY	-	-	PF5/29
	Consisting of :-			
E.E. CO. LTD. TYPE 234 TEDDINGTON FKH/A16	. . ACTUATOR	1	-	PF5/30
	. . VALVE, 1 1/2"	1	-	PF5/31
	Attaching parts for EB7.50.31 :-			
AGS2001E1/66	. Nut, 1/4" BSF	4	-	PF5/32
SP13E	. Washer	4	-	PF5/33

RA7 ENGINE INSTALLATION, STARBOARD

Part Number	Description	No. Off	Mati. Spec.	Plate No.
EB6.20.182	. VENT SYSTEM, ENGINE INSTALLATION	—	—	PF2/1
EB6.20.960	. . . Spares for :— AIR INTAKE, FOR ZONE 2 COOLING IN INNER WING, LEADING EDGE, ASSEMBLY	—	—	PF2/2
EB6.20.961	. . . Spares for :— BRACKET, pipe support	1	L72	PF2/3
A25/3B	. . . Attaching parts for EB6.20.961 :— Bolt, 4BA	3	—	PF2/4
AGS2001B1	. . . Nut, 4BA	3	—	PF2/5
SP13B	. . . Washer	3	—	PF2/6
EB6.20.129	. . . DUCT, air spill, L.H. inner wing	1	L59	PF2/7
EB6.20.130	. . . DUCT, air spill, R.H. inner wing	1	L59	PF2/8
A25/2C	. . . Attaching parts for EB6.20.129 and EB6.20.130 :— Bolt, 2BA	1	—	PF2/9
AGS2001C1/66	. . . Nut, 2BA	1	—	PF2/10
SP13C	. . . Washer	1	—	PF2/11
EB7.20.289	. . . DUCT, air spill, L.H., on inboard engine rib	1	L59	PF2/12
EB7.20.291	. . . DUCT, air spill, R.H., on inboard engine rib	1	L59	PF2/13
A25/3B	. . . Attaching parts for EB7.20.289 and EB7.20.291 :— Bolt, 4BA	8	—	PF2/14
A25/3C	. . . Bolt, 2BA	1	—	PF2/14A
AGS2001B1	. . . Nut, 4BA	8	—	PF2/15
AGS2001C1/66	. . . Nut, 2BA	1	—	PF2/15A
SP13B	. . . Washer	8	—	PF2/16
SP13C	. . . Washer	1	—	PF2/16A
EA9.20.3241	. . . DUCT, air entry	1	L59	PF2/17
EEAS1/1½C	. . . Attaching parts for EA9.20.3241 :— Screw, 2BA	8	S96	PF2/18
EA9.20.1025	. . . HOSE, rubber pipe connection	2	—	PF2/19
EA9.20.1018	. . . PIPE, air intake, continuation to inboard engine rib	1	L59	PF2/20
EB7.20.427	. . . PLATE, reinforcing, air intake	1	L72	PF2/21
EB6.20.559	. . . BRACKET, support, top nozzle pipe	1	—	PF3/1
EEAS143/26	. . . CLIP, pipe	4	L72	PF3/2
A25/1C	. . . Attaching parts for EEAS143/26 :— Bolt, 2BA	1	—	PF3/3
AGS2001C1/66	. . . Nut, 2BA	1	—	PF3/4
EEAS21/2ER	. . . Washer, 'D'	1	L72	PF3/5
SP15C	. . . Washer	1	—	PF3/6

RA7 ENGINE INSTALLATION, STARBOARD

Part Number	Description	No. Off	Matl. Spec.	Plate No.
EB6.20.131	. . . DUCT, air spill, L.H., outer wing	1	L59	PF2/22
EB6.20.132	. . . DUCT, air spill, R.H., outer wing	1	L59	PF2/23
A25/2C	. . . Attaching parts for EB6.20.131 and EB6.20.132 :-			
AGS2001C1/66	. . . Bolt, 2BA	1	-	PF2/24
SP13C	. . . Nut, 2BA	1	-	PF2/25
	. . . Washer	1	-	PF2/26
EB6.20.134	. . . DUCT, air spill L.H., on outboard engine rib	1	L59	PF2/27
A25/1B	. . . Attaching parts for EB6.20.134 :-			
AGS2001B1	. . . Bolt, 4BA	12	-	PF2/28
SP13B	. . . Nut, 4BA	12	-	PF2/29
	. . . Washer	12	-	PF2/30
EB6.20.557	. . . GASKET, sealing, top and bottom nozzle pipes	4	-	PF3/7
EA3.57.185	. . . HOSE, rubber, pipe connection	2	-	PF4/1
EB6.20.556	. . . PIPE, connecting, top and bottom nozzle pipes front spar cooling	1	-	PF3/29
EB6.50.22	. . . PIPE, ENGINE VENT, GROUND RUNNING ASSEMBLY	-	-	PF3/30
	Spares for :-			
EB6.50.73	. . . BRACKET, support	1	-	PF3/9A
EB6.50.75	. . . BRACKET, support	1	-	PF3/9B
EB6.50.29	. . . CLIP, pipe support	2	L72	PF3/10
EB6.50.31	. . . CLIP, pipe support	2	L72	PF3/11
A25/2C	. . . Attaching parts for EB6.50.29 and EB6.50.31 :-			
AGS2001C1/66	. . . Bolt, 2BA	2	-	PF3/12
SP13C	. . . Nut, 2BA	2	-	PF3/13
	. . . Washer	2	-	PF3/14
EB6.50.24	. . . PIPE	1	L54	PF3/31
EB6.20.554	. . . PIPE, nozzle, bottom	1	-	PF3/32
EB6.20.562	. . . PIPE, NOZZLE, TOP, ASSEMBLY	1	-	PF3/33
	Spares for :-			
EB6.20.541	. . . ADAPTOR	1	-	PF3/18
	Attaching parts for EB6.20.541 :-			
A25/19B	. . . Bolt, 4BA	1	-	PF3/19
A27BT	. . . Nut, 4BA	1	-	PF3/20
SP13B	. . . Washer	1	-	PF3/21
EB6.20.548	. . . PIPE, nozzle	1	-	PF3/34
EB6.20.543	. . . SPRING, compression	1	-	PF3/23
	Attaching parts for EB6.20.562 :-			
A25/1C	. . . Bolt, 2BA	1	-	PF3/24
A25/2C	. . . Bolt, 2BA	2	-	PF3/25
AGS2001C1/66	. . . Nut, 2BA	3	-	PF3/26
SP13C	. . . Washer	3	-	PF3/27

AP101B-0415-3A

POWER INSTALLATION

RA7 ENGINE INSTALLATION, STARBOARD

Part Number	Description	No. Off	Mati. Spec.	Plate No.
EEAS66/9	. . . RING, clamping	4	-	PF4/2
EB6.20.506	. . . SHROUD, HEAT, FORWARD, ASSEMBLY Spares for :-	-	-	PF4/3
EB6.20.509	. . . BRACKET	12	-	PF4/4
EB6.20.504	. . . SHROUD, heat forward Attaching parts for EB6.20.504 :-	1	-	PF4/5
6R x 3/8"	. . . Screw, self tapping	12	-	PF4/5A
EB6.20.511	. . . SHROUD, HEAT, REAR, ASSEMBLY Spares for :-	-	-	PF4/6
EB6.20.519	. . . BRACKET Attaching parts for EB6.20.519 :-	4	DTD124	PF4/7
AS1246/1C	. . . Bolt, round head, 2BA	4	-	PF4/7A
AGS2001C1/66	. . . Nut, 2BA	4	-	PF4/7B
SP13C	. . . Washer	4	-	PF4/7C
EB6.20.523	. . . BRACKET Attaching parts for EB6.20.523 :-	4	DTD124	PF4/8
AS1246/3B	. . . Bolt, 4BA	1	-	PF4/9
AGS2001B1	. . . Nut, 4BA	1	-	PF4/10
EB6.20.533	. . . Washer, 'D'	2	-	PF4/11
SP13B	. . . Washer	1	-	PF4/12
EB6.20.521	. . . BRACKET Attaching parts for EB6.20.521 :-	4	DTD124	PF4/13
AS1246/1C	. . . Bolt, round head, 2BA	4	-	PF4/13A
AGS2001C1	. . . Nut, 2BA	4	-	PF4/13B
SP13C	. . . Washer	4	-	PF4/13C
EB6.20.525	. . . BRACKET Attaching parts for EB6.20.521 and EB6.20.525 :-	4	DTD124	PF4/14
AS1246/3C	. . . Bolt, 2BA	1	-	PF4/15
AGS2001C1	. . . Nut, 2BA	1	-	PF4/16
EB6.20.531	. . . Washer, 'D'	2	-	PF4/17
SP13C	. . . Washer	1	-	PF4/18
EB6.20.517	. . . PLATE	2	-	PF4/18A
EB6.20.513	. . . SHROUD, top	1	DTD171	PF4/19
EB6.20.515	. . . SHROUD, bottom Attaching parts for EB6.20.513 and EB6.20.517 and EB6.20.515 :-	1	DTD171	PF4/20
A25/1C	. . . Bolt, 2BA	6	-	PF4/21
AGS2001C1	. . . Nut, 2BA	6	-	PF4/22
SP13C	. . . Washer	6	-	PF4/23
EA3.75.143	. . . SLEEVE, pipe connecting, 1" i/d x 2.5" long	2	Silastic	PF3/28

R

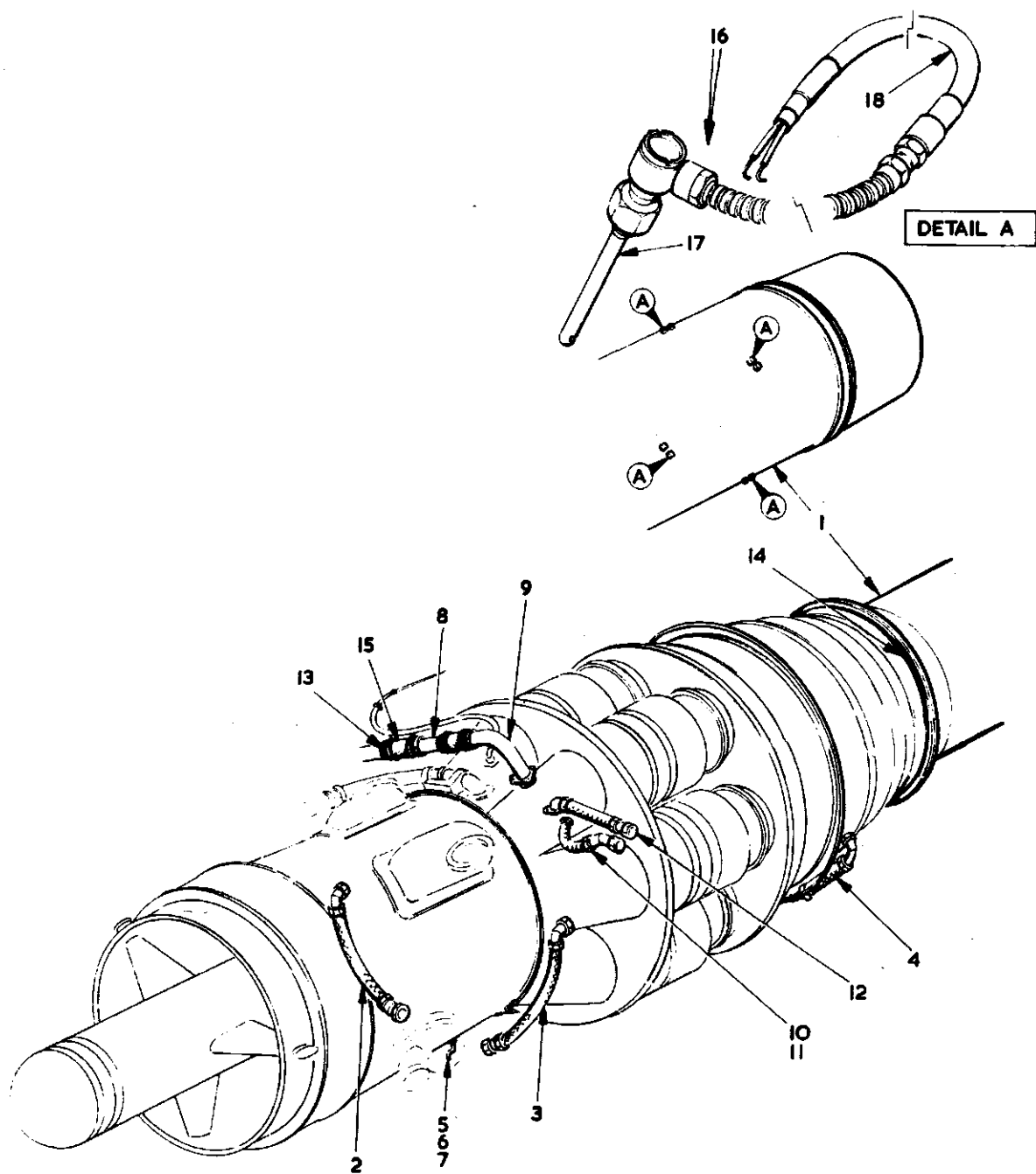


FIG1 RA7 ENGINE INSTALLATION STBD

CODE TZ

SECT PF

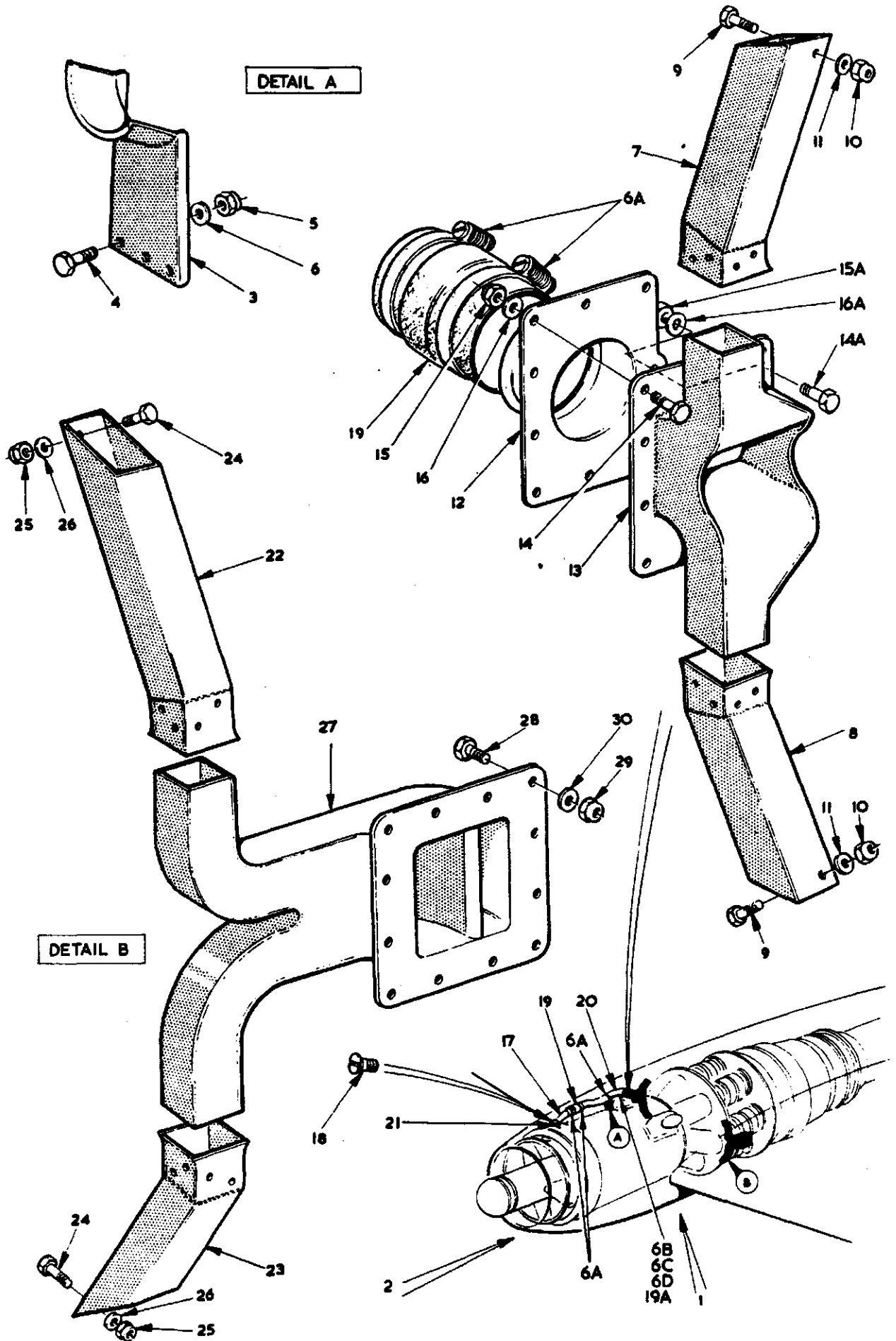


FIG2 RA7 ENGINE INSTALLATION STARBOARD

CODE TZ

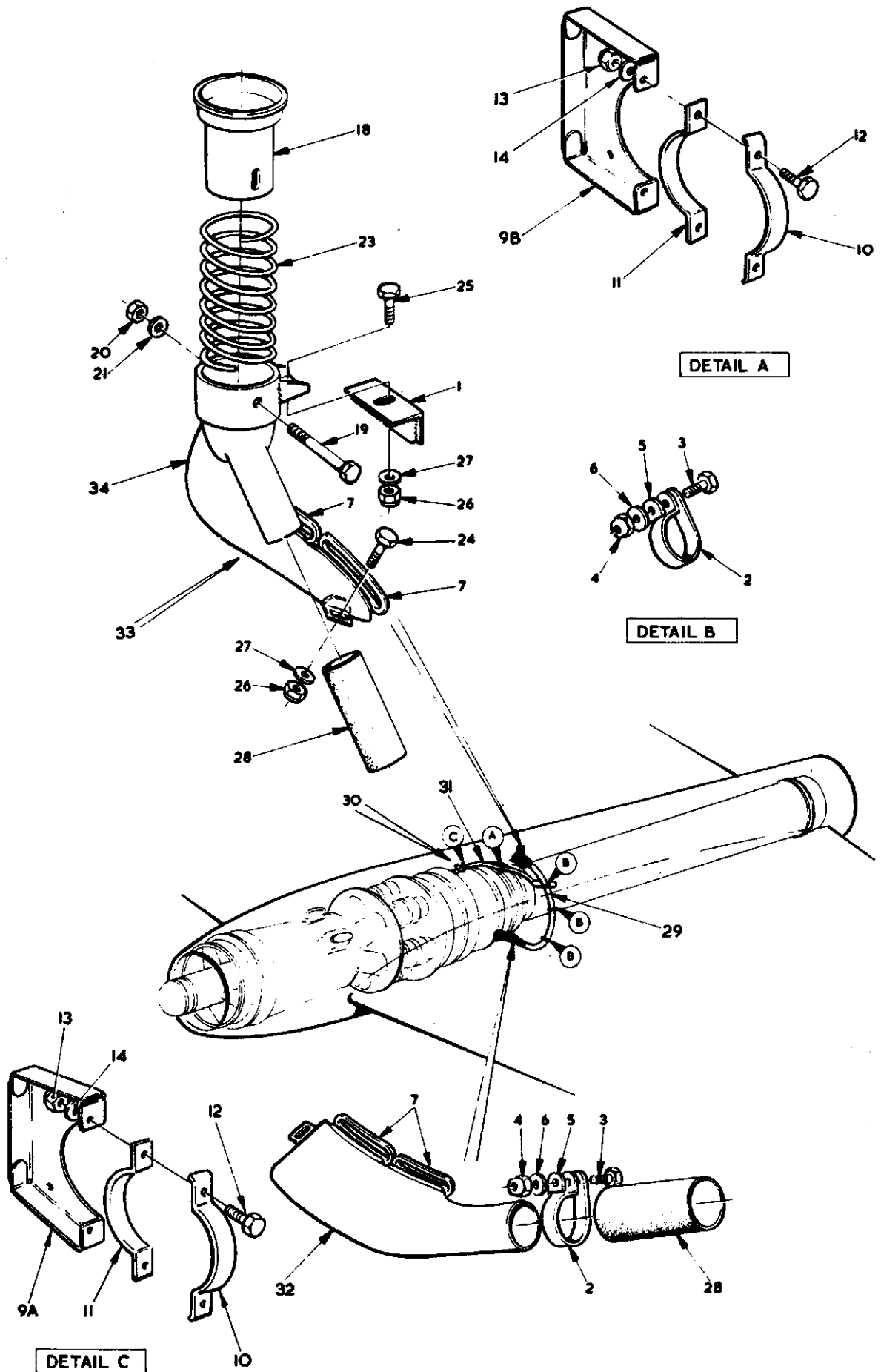


FIG 3 RA7 ENGINE INSTALLATION STARBOARD

CODE TZ

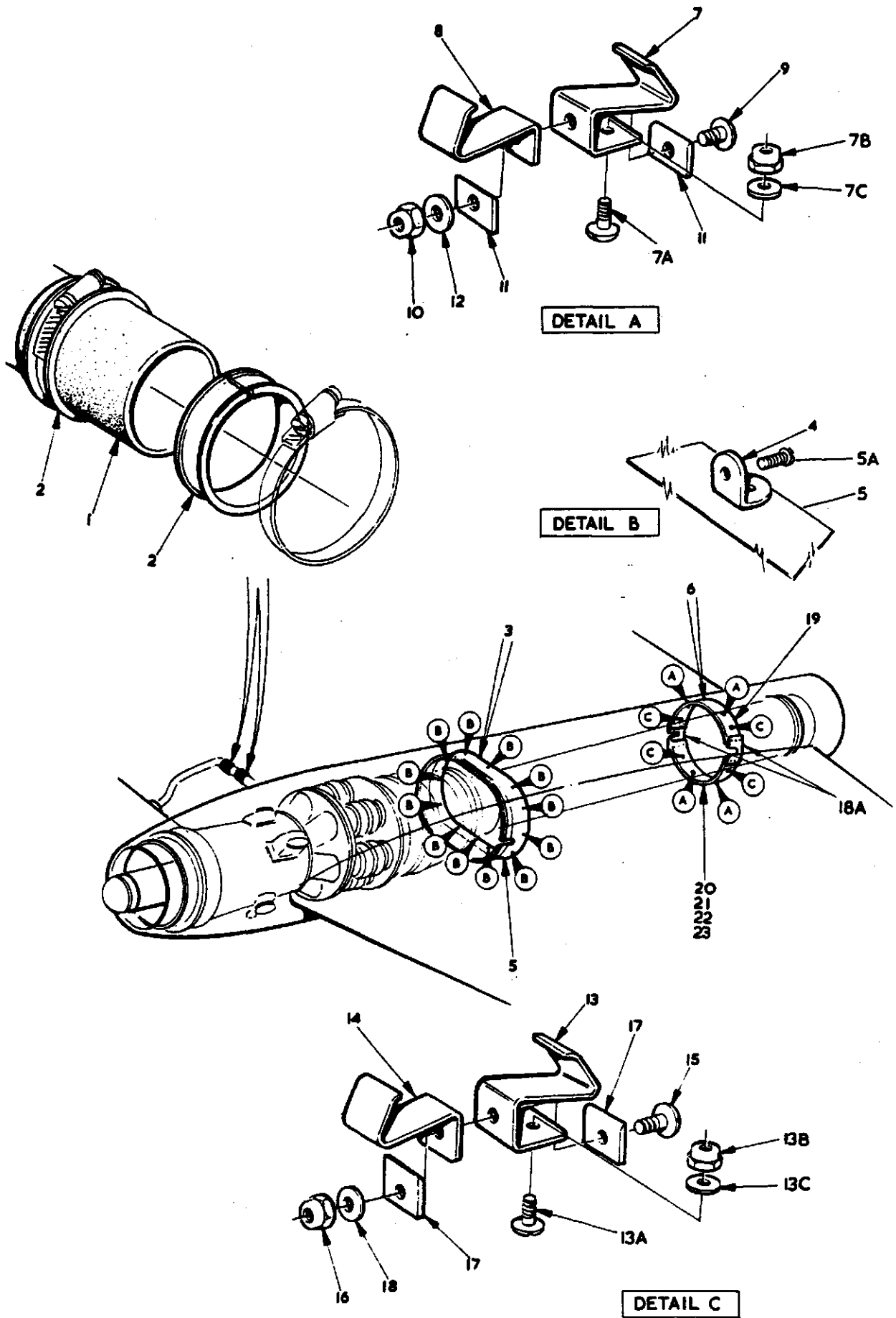


FIG.4 RA7 ENGINE INSTALLATION STARBOARD SIDE

CODE TZ

SECT PF

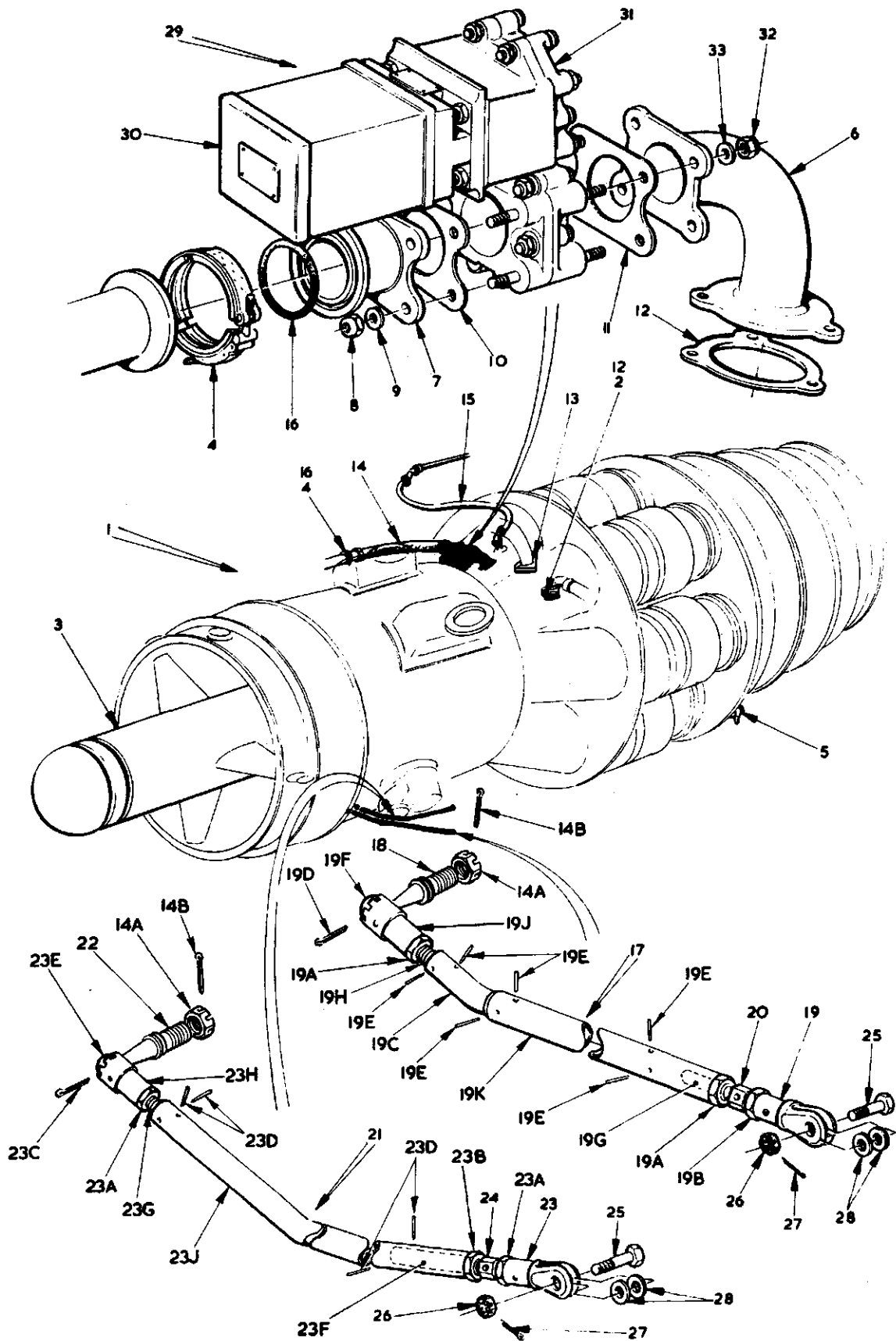


FIG5 RA7 ENGINE INSTALLATION STBD

CODE TZ

SECT PF

This file was downloaded
from the RTFM Library.

Link: www.scottbouch.com/rtfm

Please see site for usage terms,
and more aircraft documents.

