

AP101B-0415-3A

RADAR

A.R.I.23134, I.F.F./SSR, INSTALLATION

Part Number	Description	No. Off	Mati. Spec.	Plate No.
EG4.82.1005	A.R.I.23134, I.F.F./S.S.R., INSTALLATION (SRIM.3533) (MOD 4799) Spares for :-	-	-	
UG212U	. ADAPTOR, angle	1	-	
EB6.90.157	. AERIAL, UPPER, INSTALLATION Spares for :-	-	-	QA1/1
RRD 741790	. . AERIAL, omni, type 100B Attaching parts for Ref. 10B/4280400 :-	1	-	QA1/2
EB6.90.175	. . Block, packing	1	-	QA1/3
AS1242/6C	. . Bolt, 2BA	12	-	QA1/4
EB6.90.167	. . Seal, 1/16" Linatex	1	-	QA1/5
EB6.90.173	. . MOUNTING, assembly	1	-	QA1/6
EB6.90.165	. . SEAL, skin, 3/64" Linatex	1	DTD900-4195	QA1/7
EB6.90.159	. AERIAL, LOWER, INSTALLATION Spares for :-	-	-	QA1/8
RRD 741790	. . AERIAL, omni, type 100B Attaching parts for Ref. 10B/4280400 :-	1	-	QA1/9
EB6.90.163	. . Block, packing	1	-	QA1/10
AS1242/6C	. . Bolt, 2BA	12	-	QA1/11
EB6.90.167	. . Seal, 1/16" Linatex	1	-	QA1/12
EB6.90.161	. . MOUNTING, assembly	1	-	QA1/13
EB6.90.165	. . SEAL, skin, 3/64" Linatex	1	DTD900-4195	QA1/14
SCA78015/86	. CONNECTOR, from ECP and control unit to pressure bulkhead (SRIM.3533) (Mod 4799)	1	-	QA1/15
SCA78015/89	. CONNECTOR, from switching unit to upper aerial (SRIM.3533) (Mod 4799)	1	-	QA1/16
SCA78015/88	. CONNECTOR, from switching unit to transmitter/ receiver (SRIM.3533) (Mod 4799)	1	-	QA1/17
SCA78015/90	. CONNECTOR, from switching unit to lower aerial (SRIM.3533) (Mod 4799)	1	-	QA1/18
EB6.90.187	. GUARD, AERIAL, INSTALLATION Spares for :-	-	-	QA1/19
EB6.90.197	. . BRACKET, attachment Attaching parts for EB6.90.197 :-	4	-	QA1/20
A25/1B	. . Bolt, 4BA	4	-	QA1/21
AGS2001B1	. . Nut, 4BA	4	-	QA1/22
SP13B	. . Washer	4	-	QA1/23
EB6.90.189	. . GUARD, assembly Attaching parts for EB6.90.189 :-	1	-	QA1/24
A25/6C	. . Bolt, 2BA	4	-	QA1/25
AGS2001C1/66	. . Nut, 2BA	4	-	QA1/26
SP13C	. . Washer	4	-	QA1/27

RADAR

A.R.I.23134, I.F.F./SSR, INSTALLATION

Part Number	Description	No. Off	Matl. Spec.	Plate No.					
				1	2	3	4	5	6
EG4.82.1121	. SWITCH UNIT AND PLUG BREAK, INSTALLATION (MOD 4799)	-	-						QA2/1
EG4.82.911	. . BRACKET, plug break, 28 volt DC test supply (Mod 4864) 18 SWG	1	L72						QA2/2
EA3.82.5639	. . BRACKET, plug break, alt./trans. test, 115 volt test supply	1	-						QA2/3
ZA2401/1	. . GUARD, switch (SRIM.3533) (Mod 4799) (Pre-Mod 5100)	1	-						
AS10512L-1	. . PLATE, adapter (Alt. R60/61-Mod 5100)	1	-						QA2/4
AS10512M-1	. . SHROUD, terminal (Alt. R60/61-Mod 5100)	1	-						QA2/5
5CW1047694	. . SWITCH, tumbler (SRIM.3533) (Mod 4799) (Pre-Mod 5100)	1	-						
A32B16	. . Attaching parts for Ref. 5CW/1047694 :- . . Screw, 4BA	2	-						
AS10512B-6	. . SWITCH (Alt. R60/61-Mod 5100)	1	-						QA2/6
EG4.82.915	. . TOP-HAT (Mod 4864) 18 SWG	1	L72						
A32B16	. . Attaching parts for EG4.82.915 :- . . Screw, 4BA	4	-						QA2/7
5895-99-1071521	. . UNIT, switching, Type 16941 (SRIM.3533) (Mod 4799)	1	-						QA2/8
A32B24	. . Attaching parts for Ref. 5895-99-107-1521 :- . . Screw, 4BA	3	-						QA2/9
EG4.82.1119	. TRAY, STRUCTURE, TRANSMITTER/RECEIVER, INSTALLATION (MOD 4799)	-	-						QA2/10
SCB79726/5	. . Spares for :- . . BONDING, strip (SRIM.3533) (Mod 4799)	2	-						QA2/11
10AJ1201999	. . MOUNTING, A.V, 6 lbs., outboard (SRIM.3533) (Mod 4799)	2	-						QA2/12
5340-99-9453709	. . MOUNTING, A.V, 14 lbs., inboard (SRIM.3533) (Mod 4799)	2	-						QA2/13
A25/1C	. . Attaching parts for mounting :- . . Bolt, 2BA	4	-						QA2/14
AGS2001C1/66	. . Nut, 2BA	4	-						QA2/15
SP13C	. . Washer	4	-						QA2/16
SCD77039	. . PLATFORM, adapter assembly for T/R tray (SRIM.3533) (Mod 4799)	1	-						QA2/17
A25/8E	. . Attaching parts for SCD77039 :- . . Bolt, 1/4" BSF	4	-						QA2/18
AGS2001E1/77	. . Nut, 1/4" BSF	4	-						QA2/19
SP13E	. . Washer	8	-						QA2/20
10AC1053243	. . Washer, check	4	-						QA2/21
10D9563378	. . TRANSMITTER/RECEIVER, Type 16928 (SRIM.3533) (Mod 4799)	1	-						QA2/22
5820-99-1075637	. . TRAY, mounting, T/R, Type 16946 (SRIM.3533) (Mod 4799)	1	-						QA2/23
A25/1E	. . Attaching parts for Ref. 5820-99-107-5637 :- . . Bolt, 1/4" BSF	4	-						QA2/24
AGS2001E1/77	. . Nut, 1/4" BSF	4	-						QA2/25
SP13E	. . Washer	8	-						QA2/26
10L9563379	. UNIT, control, transponder, Type 16929 at navigator's station, port wall (NHA-SCD.78927) (SRIM.3533) (Mod 4799)	RF	-						QA1/28

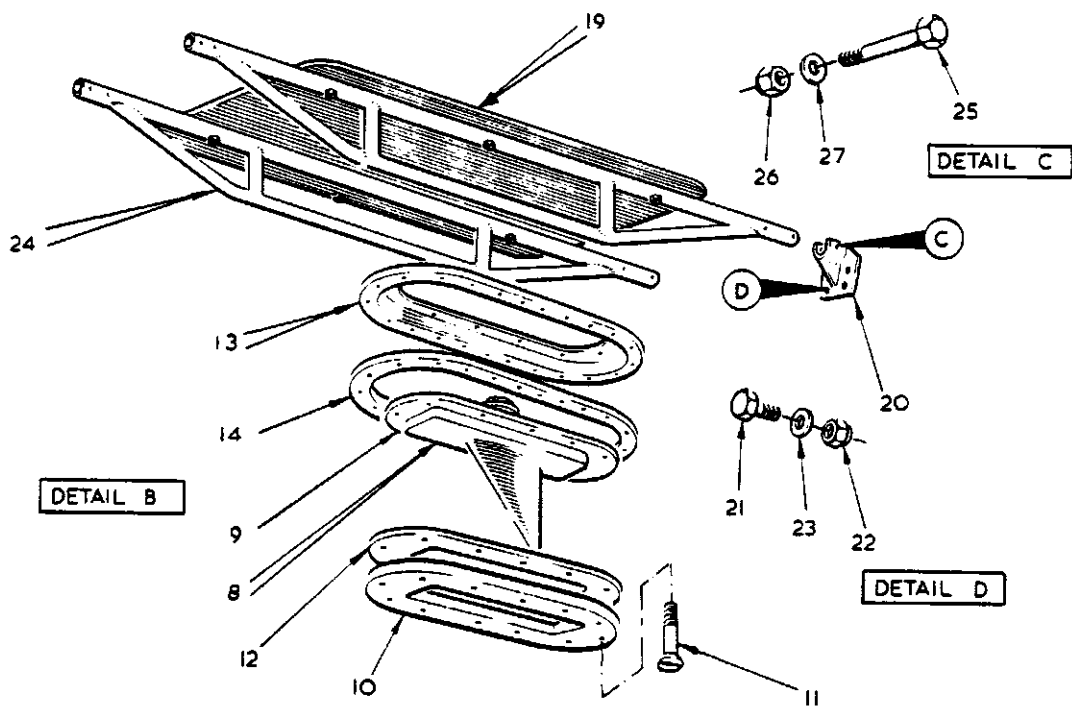
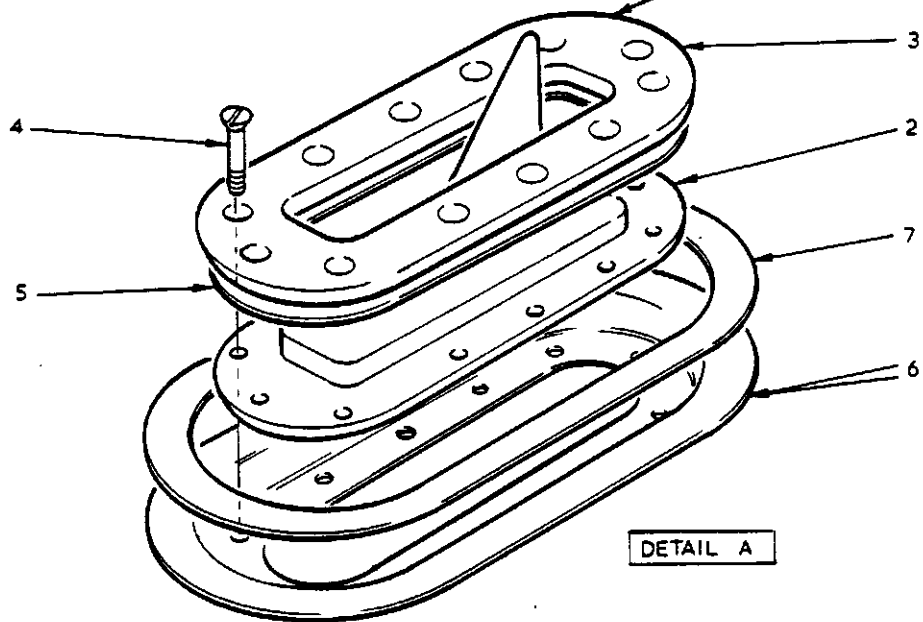
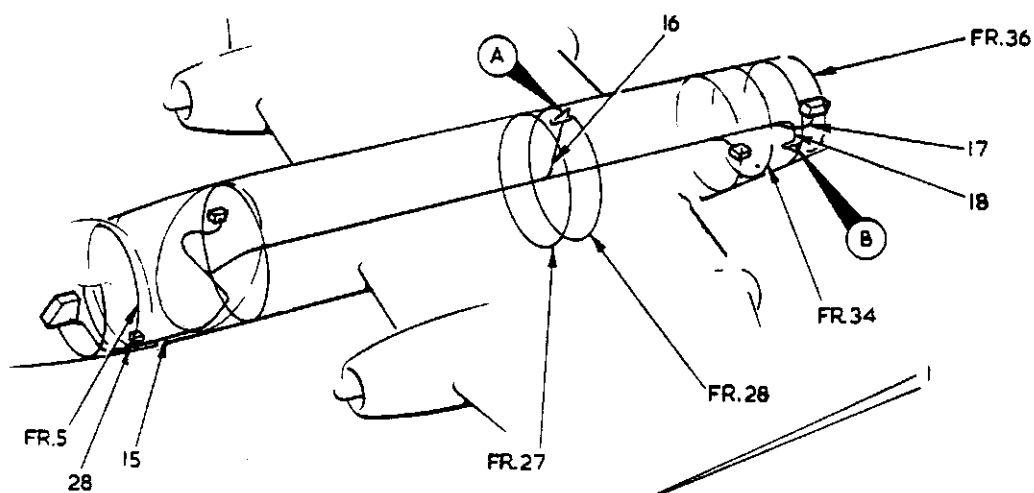


FIG.1 RADAR, ARI 23134 IFF/SSR INSTALLATION

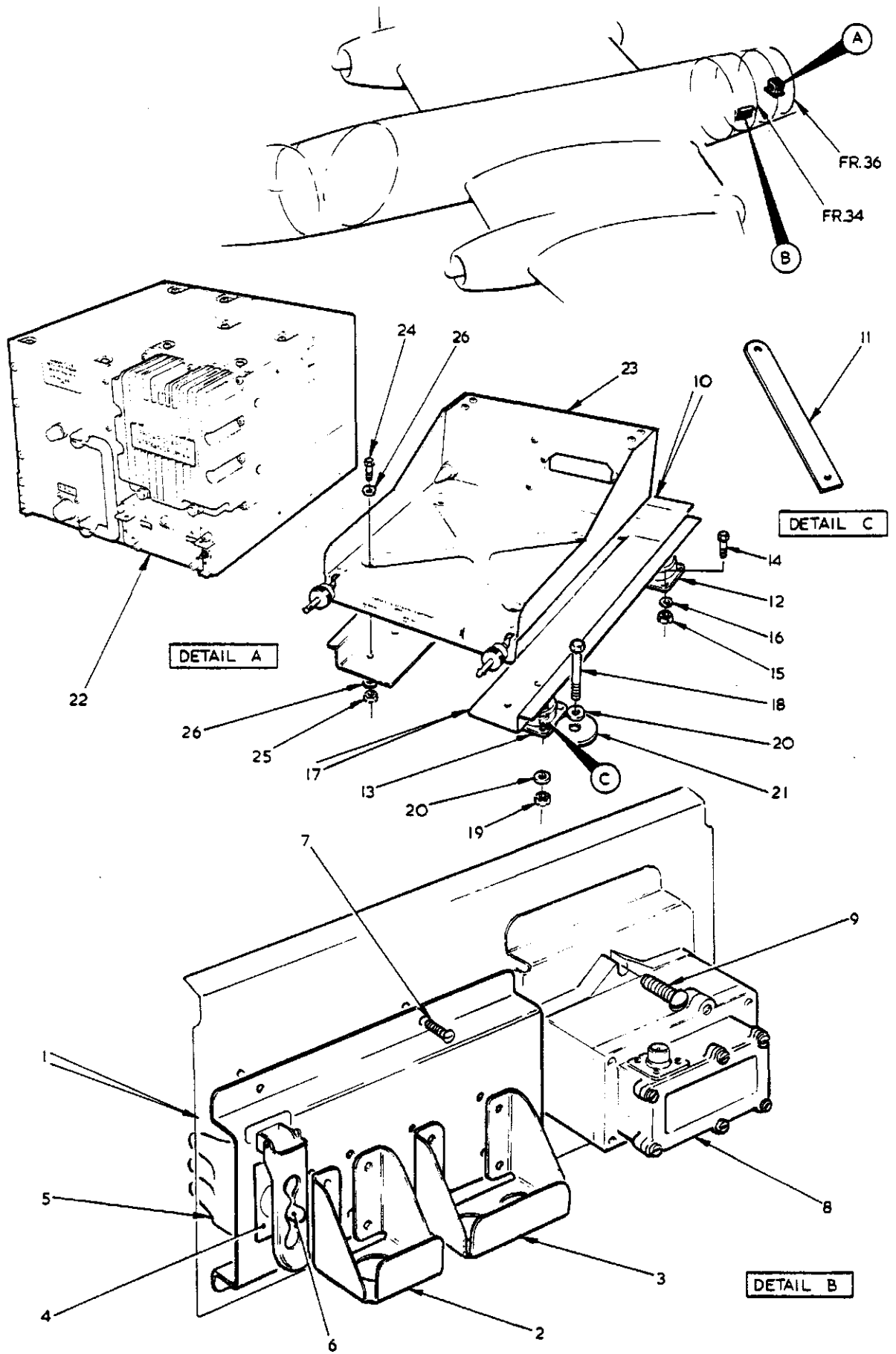


FIG.2 RADAR, ARI 23134 IFF/SSR INSTALLATION

This file was downloaded
from the RTFM Library.

Link: www.scottbouch.com/rtfm

Please see site for usage terms,
and more aircraft documents.



LIGHTNING MK. 1
COVER PITOT HEAD
EB2-88-511