

RADAR

A.R.I. 18107/3, TACAN, INSTALLATION

Part Number	Description	No. Off	Mati. Spec.	Plate No.
EG4.82.1009	A.R.I. 18107/3, TACAN, INSTALLATION (SRIM.3533) (MOD 4799) Spares for :-	-	-	
SCD77020	. AERIAL, INSTALLATION, LOWER SURFACE, FORWARD OF FRAME 1 (SRIM.3533) (MOD 4799) Spares for :-	-	-	QB1/1
R RRD 741790	. . AERIAL, omni, type 100B Attaching parts for Ref. 10B/4280400 :-	1	-	QB1/2
AGS2001C1/66	. . Nut, 2BA	12	-	QB1/3
SCD77020/2	. . Piece, distance, packing, 3 SWG	1	L72	QB1/4
A33C28	. . Screw, 2BA	12	-	QB1/5
SP26C	. . Washer	12	-	QB1/6
SCA78015/31	. CONNECTOR, from pilot's electrical indicator to coupling unit (SRIM.3533) (Mod 4799)	1	-	QB1/7
SCA78015/32	. CONNECTOR, from navigator's electrical indicator to coupling unit (SRIM.3533) (Mod 4799)	1	-	QB1/8
SCA78015/33	. CONNECTOR, from coupling unit, PL4 to pressure bulkhead (SRIM.3533) (Mod 4799)	1	-	QB1/9
SCA78015/34	. CONNECTOR, from coupling unit, PL2 to pressure bulkhead (SRIM.3533) (Mod 4799)	1	-	QB1/10
SCA78015/35	. CONNECTOR, from control unit to intercom. distribution box and pressure bulkhead (SRIM.3533) (Mod 4799)	1	-	QB1/11
SCA78015/36	. CONNECTOR, from aerial to pressure bulkhead (SRIM.3533) (Mod 4799)	1	-	QB1/12
SCA78015/37	. CONNECTOR, from pressure bulkhead, TAC4 to transmitter/receiver (SRIM.3533) (Mod 4799)	1	-	QB1/13
SCA78015/38	. CONNECTOR, from pressure bulkhead, Red, TAC3 to transmitter/receiver (SRIM.3533) (Mod 4799)	1	-	QB1/14
SCA78015/39	. CONNECTOR, from pressure bulkhead, TAC2 to transmitter/receiver (SRIM.3533) (Mod 4799)	1	-	QB1/15
SCA78015/40	. CONNECTOR, from pressure bulkhead, TAC1 to transmitter/receiver and 1600 distribution box (SRIM.3533) (Mod 4799)	1	-	QB1/16
SCA78015/41	. CONNECTOR, from transmitter/receiver PL2 to 1600 distribution box, F93 (SRIM.3533) (Mod 4799)	1	-	QB1/17
EG4.82.1115	. EQUIPMENT IN UPPER EQUIPMENT BAY, INSTALLATION (MOD 4799) Spares for :-	-	-	QB1/18
110D6914896	. . TRANSMITTER/RECEIVER, Type RT220C/ARN 21 (SRIM.3533) (Mod 4799)	1	-	QB1/19
10AJ4306051	. . TRAY, mounting, Type 9274 (SRIM.3533) (Mod 4799) Attaching parts for Ref. 10AJ/4306051 :-	1	-	QB1/20
A25/16E	. . Bolt, 1/4" BSF	4	-	QB1/21
10AC1053243	. . Washer, check	4	-	QB1/22

A.R.I. 18107/3, TACAN, INSTALLATION

Part Number	Description	No. Off	Matl. Spec.	Plate No.
SCC.79403	. FAIRLEAD, AT FRAME No. 1, INSTALLATION (SRIM.3533) (MOD 4799) Spares for :-	-	-	QB1/23
SCC.79403/2	. . FAIRLEAD, half (Make from Ref. 5F/9400953) Attaching parts for SCC79403/2 :-	2	-	QB1/24
A25/4C	. . Bolt, 2BA	2	-	QB1/25
10Q4280389	. INDICATOR, electrical, Type 9547, navigator's (SRIM.3533) (Mod 4799)	1	-	QB1/26
10Q4280389	. INDICATOR, electrical, Type 9547, pilot's (NHA- EG4.80.1183) (SRIM.3533) (Mod 4799)	RF	-	QB1/27
10AJ4280393	. TRAY, mounting, Type 9545 for coupling unit (SRIM.3533) (Mod 4799)	1	-	QB1/28
10L4280401	. UNIT, control, Type 9273 (SRIM.3533) (Mod 4799)	1	-	QB1/29
10D4280416	. UNIT, coupling, Type 9546 (SRIM.3533) (Mod 4799)	1	-	QB1/30

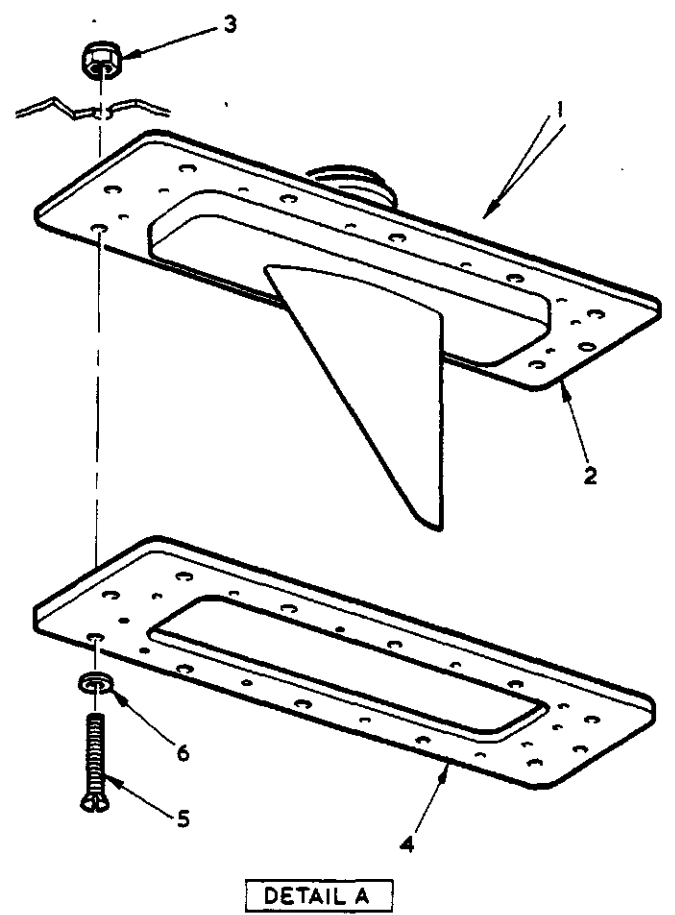
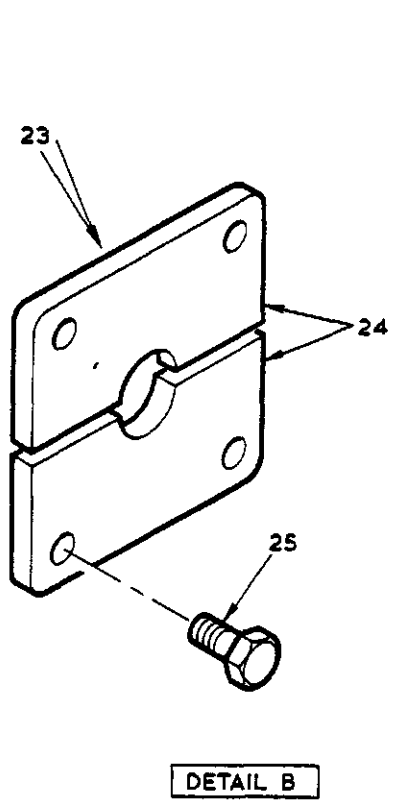
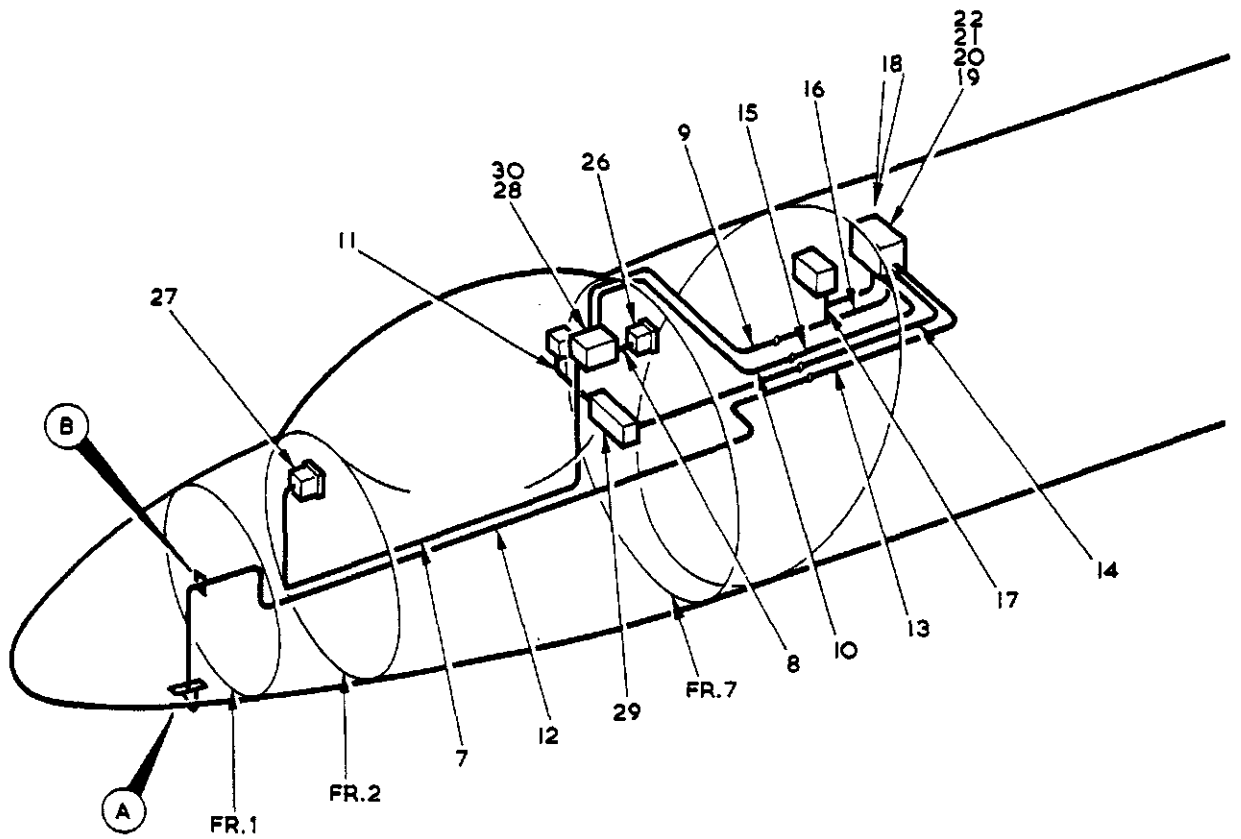


FIG. 1 RADAR, A.R.I.18107/3, TACAN, INSTALLATION

This file was downloaded
from the RTFM Library.

Link: www.scottbouch.com/rtfm

Please see site for usage terms,
and more aircraft documents.

