

AP101B-0415-3A

Page RB.1

RADIO

A.R.I. 20376, DECCA Mk. 1 (AIR) INSTALLATION

Part Number	Description	No. Off						Matl. Spec.	Plate No.	
		1	2	3	4	5	6			
EG4.82.1011	A.R.I. 23076, DECCA Mk. 1 (AIR) INSTALLATION (SRIM.3533) (MOD 4799) Spares for :-							-	-	RB1/1
90G/29816	. AERIAL, IN PORT BOMB DOOR, INSTALLATION (SRIM.3775) (MOD 4799) Spares for :-							-	-	
10B9565490	. . AERIAL, Type 880/A							1	-	RB1/2
90G29816/19	. . Attaching parts for Ref. 10B/9565490 :-							1	-	RB1/3
A33C20	. . Gasket, rubber (Make from Ref. 32C/1206557)							30	-	RB1/4
90G29769	. . Screw, 2BA									
	. AMPLIFIER, AERIAL IN PORT BOMB DOOR, INSTALLATION (SRIM.3775) (MOD 4799) Spares for :-							-	-	RB1/5
10U6195515	. . AMPLIFIER, aerial, Type M108							1	-	RB1/6
AGS2001C/66	. . Attaching parts for Ref. 10U/6195515 :-							4	-	RB1/7
SP13C	. . Nut, 2BA							4	-	RB1/8
	. . Washer									
5975-99-9703104	. BACKPLATE, assembly, power unit (SCD.78952) (SRIM.3533) (Mod 4799)							1	-	RB1/9
5841-99-9526654	. BLOWER, assembly, Type 1610-E (SRIM.3533) (Mod 4799)							1	-	RB1/10
SCB79802	. CHANNEL, mounting, control unit (Ref. 5975-99-947-9458 modified) (SRIM.3533) (Mod 4799)							1	-	RB1/11
SCA78015/71	. CONNECTOR, from ECP to power unit and blower relay (SRIM.3533) (Mod 4799)							RF	-	RB1/12
SCA78015/72	. CONNECTOR, from power unit to blower relay and receiver unit 'B' (SRIM.3533) (Mod 4799)							1	-	RB1/13
SCA78015/73	. CONNECTOR, from receiver unit 'B' to electrical indicator plug break (SRIM.3533) (Mod 4799)							1	-	RB1/14
SCA78015/74	. CONNECTOR, from electrical indicators to plug break (SRIM.3533) (Mod 4799)							1	-	RB1/15
SCA78015/75	. CONNECTOR, between receiver units 'A' and 'B' (SRIM.3533) (Mod 4799)							1	-	RB1/16
SCA78015/76	. CONNECTOR, between receiver units 'A' and 'B' (SRIM.3533) (Mod 4799)							1	-	RB1/17
SCA78015/77	. CONNECTOR, from power unit to receiver unit 'A' (SRIM.3533) (Mod 4799)							1	-	RB1/18
SCA78015/78	. CONNECTOR, from receiver unit 'A' to aerial amplifier (SRIM.3533) (Mod 4799)							1	-	RB1/19
SCA78015/79	. CONNECTOR, from receiver unit 'A' to control unit (SRIM.3533) (Mod 4799)							1	-	RB1/20
SCA78015/80	. CONNECTOR, from aerial amplifier to aerial (SRIM.3533) (Mod 4799)							1	-	RB1/21
EG4.82.1091	. COOLING SYSTEM FOR RECEIVER UNITS (SRIM.3808) (MOD 4799) Spares for :-							-	-	RB1/22
SP91L	. . CLIP, hose							10	-	RB1/23
BELL'S ASBESTOS	. . HOSE, flexible, Type BAS.160-2/3/32/12,2" i/d (SRIM.3533) (Mod 4799)							QR	-	
BAS2/3/32/12										

R

A.R.I. 23076, DECCA Mk. 1 (AIR) INSTALLATION

Part Number	Description	No. Off						Mati. Spec.	Plate No.
		1	2	3	4	5	6		
5826-99-9553416	. INDICATOR, electrical, Type A274ZF, Green (SRIM.3533) (Mod 4799)						1	-	RB1/24
5826-99-9553417	. INDICATOR, electrical, Type A274ZF, Red (SRIM.3533) (Mod 4799)						1	-	RB1/25
5826-99-9553419	. INDICATOR, electrical, Type A274ZF, Purple (SRIM.3533) (Mod 4799)						1	-	RB1/26
5826-99-9553418	. INDICATOR, electrical, Type A274ZF, Lane Indent (SRIM.3533) (Mod 4799)						1	-	RB1/27
SCC.79914	. MOUNTING ASSEMBLY, RECEIVER SUB-ASSY 'A' (SRIM.3533) (MOD 4799) Spares for :-						-	-	RB1/28
5841-99-9526656	. . DUCT, air						1	-	RB1/29
SCB79916/1	. . DUCT, assembly Attaching parts for SCB79916/1 :-						2	-	RB1/30
AS1246/½C	. . Bolt, 2BA						4	-	RB1/31
AGS2001C1/66	. . Nut, 2BA						4	-	RB1/32
SP13C	. . Washer						4	-	RB1/33
SCC79341	. . MOUNTING, rack, assembly						1	-	RB1/34
or									
5824-99-9565017	. . RACK, electrical equipment						1	-	RB1/35
SCC79915	. MOUNTING ASSEMBLY, RECEIVER SUB-ASSY 'B' (SRIM.3533) (MOD 4799) Spares for :-						-	-	RB1/36
5841-99-9526657	. . DUCT, air						1	-	RB1/37
SCB79916/2	. . DUCT, assembly Attaching parts for SCB79916/2 :-						1	-	RB1/38
AS1246/½C	. . Bolt, 2BA						4	-	RB1/39
AGS2001C1/66	. . Nut, 2BA						4	-	RB1/40
SP13C	. . Washer						4	-	RB1/41
SCC79342	. . MOUNTING, rack, assembly						1	-	RB1/42
or									
5826-99-9565018	. . RACK, electrical equipment						1	-	RB1/43
10P4798510	. RECEIVER, sub-assy. 'A' (SRIM.3533) (Mod 4799)						1	-	RB1/44
10P4698511	. RECEIVER, sub-assy. 'B' (SRIM.3533) (Mod 4799)						1	-	RB1/45
5945-99-9565110	. RELAY, assembly, blower (SRIM.3808) (Mod 4799)						1	-	RB1/46
10L4704179	. UNIT, control, at navigator's station (SRIM.3533) (Mod 4799)						1	-	RB1/47
10K6195529	. UNIT, power, Type M37 (SRIM.3533) (Mod 4799) (For mounting tray see Part No. SCD78952 on Page RH.1)						1	-	RB1/48

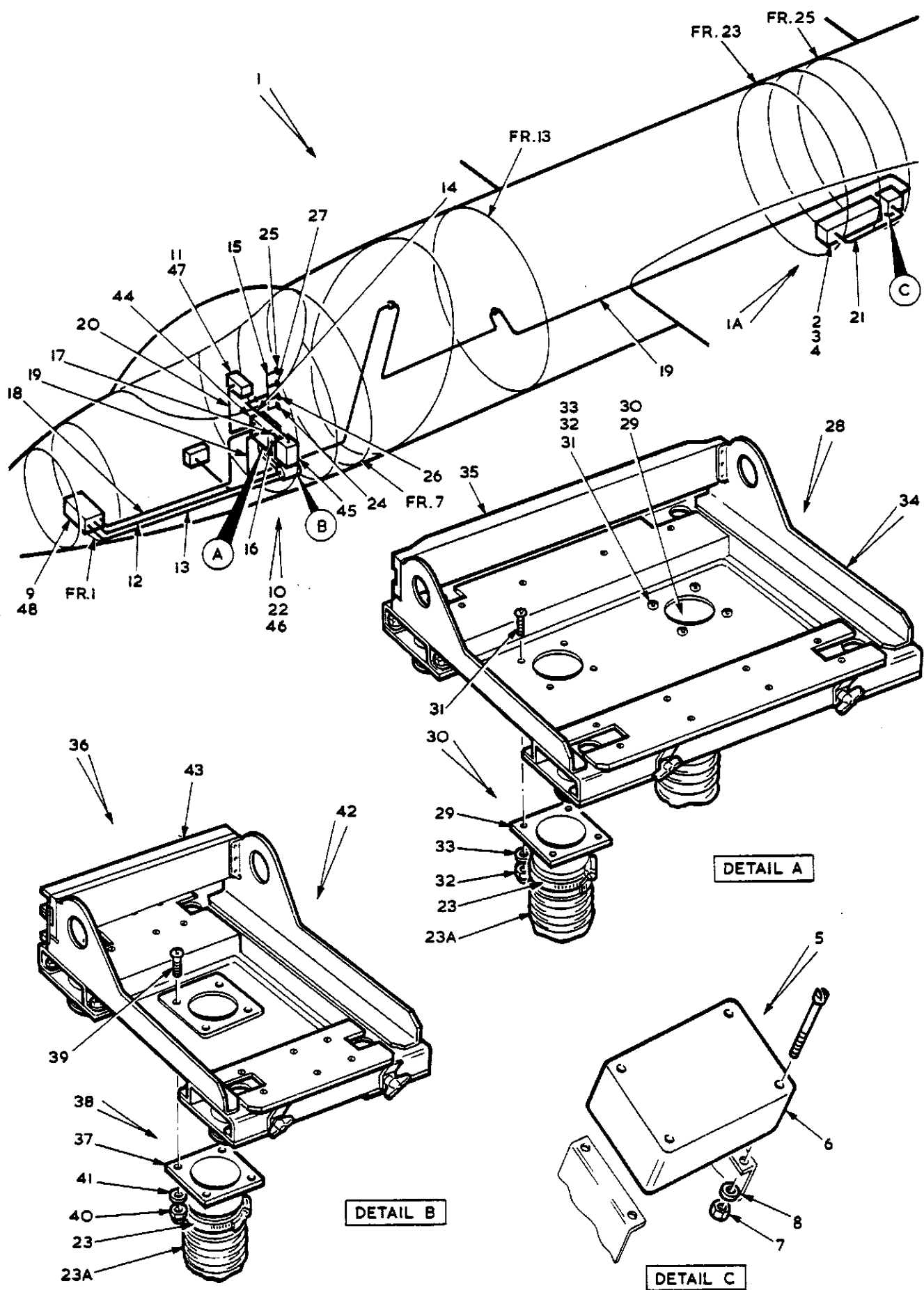


FIG. 1 RADIO, A.R.I.20376, DECCA MK.1 (AIR) INSTALLATION
CODE Z SECT. RB



This file was downloaded from the RTFM Library.

Link: www.scottbouch.com/rtfm

Please see site for usage terms, and more aircraft documents.

