

RADIO

A.R.I. 23090/9, COLLINS, H.F. INSTALLATION

Part Number	Description	No. Off	Mati. Spec.	Plate No.
EG4.82.1007	A.R.I. 23090/9, COLLINS, H.F. INSTALLATION (SRIM.3533) (MOD 4799) Spares for :-	-	-	RE2/1
EC3.82.67	. AERIAL, ATTACHMENT, FITTINGS ON FIN, INSTALLATION Consisting of :-	-	-	RE2/2
EC3.82.71	. . BAR, toggle	1	-	
A25/2C	. . Bolt, 2BA	2	-	RE2/3
EC3.82.69	. . EYE-BOLT	1	-	RE2/4
EC3.82.77	. . NUT, special	1	-	RE2/5
A27CS	. . NUT, 2BA	2	-	RE2/6
EC3.82.81	. . PLATE, adaptor	2	-	RE2/10
EC3.82.79	. . PIN	1	-	RE2/7
SP90C5	. . PIN, split	2	-	RE2/8
SP90E8	. . PIN, split	1	-	RE2/9
EC3.82.73	. . WASHER	1	-	RE2/13
EC3.82.75	. . WASHER	1	-	RE2/14
SP15C	. . WASHER	2	-	RE2/15
CHELTON Z5485	. AERIAL-MAST, type 69 Attaching parts for Z5484 :-	1	-	RE2/18
AS1248/6C	. Bolt, 2BA	12	-	RE2/19
AGS2001C1/66	. Nut, 2BA	12	-	RE2/21
EB6.82.1149	. Seal	1	-	RE2/20
SP13C	. Washer	12	-	RE2/22
-	. AERIAL WIRE, ASSEMBLY Spares for :-	-	-	RE2/11
CHELTON 3505	. . CAP, insulating	1	-	RE2/12
5399	. . CAP, insulating	1	-	RE2/16
5398	. . CHUCK, assembly	1	-	RE2/17
3510	. . CHUCK, assembly	1	-	RE2/23
CHELTON AS467/205	. . PIN, weak, link	1	-	RE2/24
CHELTON 1JWC4063	. . UNIT, tension, type 8 or S	1	-	RE2/25
CHELTON 5048	. . WIRE, aerial	QR	-	RE2/26
EG4.82.1079	. BOX, DISTRIBUTION, H.F., ASSEMBLY (SRIM.3533) (MOD 4799) Spares for :-	1	-	RE2/27
CZ23212/1	. . BLOCK, terminal, 20-way Attaching parts for CZ23712/1 :-	1	-	RE2/28
A31B24	. . Screw, 4BA	2	-	RE2/29
SP47B	. . Washer	2	-	RE2/30
EG4.82.1081	. . BOX, sub-assembly	1	-	RE2/31
5E9993757	. . CABLE, Uninyvin 8	QR	-	
5E9993578	. . CABLE, Uninyvin 12	QR	-	
5E9467424	. . CABLE, Uninyvin 20	QR	-	
5E9568884	. . CABLE, Uninyvinmetsheath 16	QR	-	
EG4.82.1083	. . COVER, ASSEMBLY (SRIMS.3533, 3872) (MOD 4799) Spares for :-	1	-	RE2/32
EEAS117/1	. . . SCREW, 4BA	6	-	RE2/33
R 32C/614	. . . SEAL, synthetic rubber, 0.14" dia	QR	DTD552	RE2/60

RADIO

A.R.I. 23090/9, COLLINS, H.F. INSTALLATION

Part Number	Description	No. Off	Matl. Spec.	Plate No.
EEAS28/2CU	. . . WASHER, special	12	S514	RE2/34
EEAS42	. . . WASHER, leather	6	-	RE2/35
Z50210	. . . LINK, 2-way	1	-	RE2/36
Z50211	. . . LINK, 3-way	2	-	RE2/37
508/1/05602/002	. . . PIN, contact	73	-	
508/1/09373/002	. . . PIN, contact	6	-	
508/1/09375/002	. . . PIN, contact	2	-	
508/1/09376/002	. . . PIN, contact	6	-	
508/1/09377/002	. . . PIN, contact	2	-	
508/1/04585/002	. . . PIN, contact	1	-	
508/1/05602/002	. . . PIN, contact (SRIM.3872) (Mod 4799)	4	-	
508/2/03547/002	. . . PIN, contact	1	-	
508/2/09360/002	. . . PIN, contact	7	-	
508/2/05604/002	. . . PIN, contact	44	-	
UK-AN8000-32-7P	. . . PLUG	1	-	RE2/38
UK-AN8000-20-29P	. . . PLUG	1	-	RE2/39
508/1/05577/001	. . . PLUG, filler	21	-	
508/1/05577/004	. . . PLUG, filler	9	-	
508/1/05577/008	. . . PLUG, filler	4	-	
508/1/05577/010	. . . PLUG, filler	2	-	
508/2/15670	. . . SLEEVE, packing, Brown	2	-	
508/2/15663	. . . SLEEVE, packing, Pink	98	-	
508/2/15667	. . . SLEEVE, packing, White	6	-	
UK-AN8000-16-1S(Z)	. . . SOCKET	1	-	RE2/39
UK-AN8000-24-11S	. . . SOCKET	1	-	RE2/40
UK-AN8000-16-1S(W)	. . . SOCKET	1	-	RE2/41
UK-AN8000-16S-1S	. . . SOCKET	1	-	RE2/42
UK-AN8000-32-6S	. . . SOCKET	1	-	RE2/43
UK-AN8000-28-21S	. . . SOCKET	1	-	RE2/44
UK-AN8000-14S-6S	. . . SOCKET (SRIM.3872) (Mod 4799)	1	-	RE2/45
HC490	. . . TAG (SRIM.3872) (Mod 4799)	QR	-	
HC500	. . . TAG	QR	-	
HC510	. . . TAG	QR	-	
508/2/15592/002	. . . WASHER, packing	1	-	
508/2/15593/002	. . . WASHER, packing	3	-	
508/2/15595/002	. . . WASHER, packing	1	-	
508/2/15597/002	. . . WASHER, packing	1	-	
508/2/15598/002	. . . WASHER, packing	1	-	
954-1963	. . . WASHER, packing	2	-	
5E9100179	. . . WIRE, equipment, Type 2	QR	-	
5E9424163	. . . WIRE, equipment, Type 2S	QR	-	
	Attaching parts for EG4.82.1079 :-			
A25/2C	. Bolt, 2BA	4	-	RE2/46
SP13C	. Washer	4	-	RE2/47

AP 101B-0415-3A

RADIO

A.R.I.23090/9, COLLINS, H.F. INSTALLATION

Part Number	Description	No. Off	Matl. Spec.	Plate No.
SCA78015/21	. CONNECTOR, from pilot's starboard coaming panel and dimmer switch panel, switches to HF distribution box (SRIM.3533) (Mod 4799)	1	-	RE2/48
SCA78015/22	. CONNECTOR, from control unit to HF distribution box (SRIM.3533) (Mod 4799)	1	-	RE2/49
SCA78015/23	. CONNECTOR, from HF distribution box to pre-amplifier Type UA6002 (SRIM.3533) (Mod 4799)	1	-	RE2/50
SCA78015/24	. CONNECTOR, from HF distribution box to aerial tuner Type 490T/1 (SRIM.3533) (Mod 4799)	1	-	RE2/51
SCA78015/25	. CONNECTOR, from HF distribution box to trans receiver Type 618T (SRIM.3533) (Mod 4799)	1	-	RE2/52
SCA78015/26	. CONNECTOR, from trans receiver Type 618T to aerial tuner Type 490T/1 (SRIM.3533) (Mod 4799)	1	-	RE2/53
R SCA78015/27	. CONNECTOR, from trans receiver Type 618T to aerial tuner Type 490T/1 (SRIM.3533) (Mod 4799)	1	-	RE2/54
SCA78015/28	. CONNECTOR, from HF distribution box to i/c distribution box Type UA6043 (SRIM.3533) (Mod 4799)	1	-	RE2/55
SCA78015/29	. CONNECTOR, from HF distribution box to 1600 distribution box and ECP (SRIM.3533) (Mod 4799)	RF	-	RE2/56
SCA78015/30	. CONNECTOR, from aerial to aerial tuner Type 490T/1 (SRIM.3533) (Mod 4799)	1	-	RE2/57
R 10F1047561	. KEY, telegraph (SRIM.3872) (Mod 4799)	1	-	RE2/58
R 10AJ9451643	. MOUNTING, resilient, Type 3905/1, trans receiver (SRIM.3533) (Mod 4799)	1	-	RE1/1
	Attaching parts for Ref. 10AJ/9451643:-			
AS1242/3C	. Bolt, 2BA	16	-	RE1/2
AGS2001C1/66	. Nut, 2BA	16	-	RE1/3
SP26C	. Washer	16	-	
R 10U/9148966	. PRE-AMPLIFIER, Type UA6002 (SRIM.3533) (Mod 4799)	1	-	RE1/4
	Attaching parts for Ref. 10U/9148966:-			
A125C66	. Nut, 8 UNC	2	-	RE1/5
SP122C	. Washer	2	-	RE1/6
R 110D/6043307	. TRANS-RECEIVER, Type 618T/3 (SRIM.3533) (Mod 4799)	1	-	RE1/7
SCD79005	. UNIT, AERIAL TUNER, INSTALLATION (SRIM.3533) (MOD 4799)	-	-	RE1/8
	Spares for:-			
EH8.82.363	. . CONDUIT, assembly, HF cable	1	-	RE1/9
EH8.82.183	. . CONDUIT, assembly, HF cable	1	-	RE1/10
SCB79006	. . FAIRLEAD, assembly (Make from Ref. 5F/9400956)	1	-	RE1/11
SCB79038	. . FAIRLEAD, assembly (Make from Ref. 5F/9400956)	1	-	RE1/12
	Attaching parts for SCB79006 or SCB79038:-			
A25/5B	. . Bolt, 4BA	2	-	RE1/13
A25/10C	. . Bolt, 2BA	1	-	RE1/14
AGS2001B1	. . Nut, 4BA	2	-	RE1/15
AGS200C1/66	. . Nut, 2BA	1	-	RE1/16
SP13C	. . Washer	1	-	RE1/17

RADIO

A.R.I.23090/9, COLLINS, H.F. INSTALLATION

Part Number	Description	No. Off	Matl. Spec.	Plate No.
SCC79033	. . FAIRLEAD, INSTALLATION Spares for:—	—	—	RE1/18
SCB79036	. . . FAIRLEAD, assembly (Make from Ref. 5F/9400956) Attaching parts for SCB79036:—	1	—	RE1/19
R A25/16B	. . . Bolt, 4BA	2	—	RE1/20
A25/16C	. . . Bolt, 2BA	1	—	RE1/21
AGS2001B1	. . . Nut, 4BA	2	—	RE1/22
AGS2001C1/66	. . . Nut, 2BA	1	—	RE1/23
SP13B	. . . Washer	2	—	RE1/24
SP13C	. . . Washer	1	—	RE1/25
SCD78916	. . INSULATOR . . MOUNTING, structure assembly for aerial tuning unit Attaching parts for SCD78916:—	1 1	— —	RE1/26 RE1/27
AGS2105/403	. . Pin, quick release	2	—	RE1/28
AGS2105A418	. . Pin, quick release	2	—	RE1/29
R 5980-99-871-9123	. . MOUNTING, resilient, Type 790Y/2 for aerial tuning unit Attaching parts for Ref. 5980-00-871-9123:—	1	—	RE1/30
A25/2C	. . Bolt, 2BA	16	—	RE1/31
SP13C	. . Washer	16	—	RE1/32
EH8.82.181	. . SLEEVE, HF cable conduit	1	—	RE1/33
EG7.82.2807	. . SPARK-GAP, ASSEMBLY Consisting of:—	1	—	RE1/34
EG7.82.2811	. . . BLOCK, base, assembly	1	—	RE1/35
EG7.82.191	. . . CABLE, ASSEMBLY, HF3, from spark-gap to aerial post	1	—	RE1/36
EG7.82.199	. . . CABLE, ASSEMBLY, earth, from spark-gap to earth	1	—	RE1/37
BULGIN				
P92	. . . CAP, valve	2	—	RE1/39
EC3.82.419	. . . COVER Attaching parts for EC3.82.419:—	1	—	RE1/40
AS1242/9B	. . . Bolt, 4BA	3	—	RE1/41
AGS2001B1	. . . Nut, 4BA	3	—	RE1/42
SP15B	. . . Washer	3	—	RE1/43
EG7.82.2809	. . . SPACER	1	LFS	RE1/44
E.E. CO. LTD. ZD32664	. . . SPARK-GAP, Type BS142 Attaching parts for EG7.82.2807:—	1	—	RE1/45
A25/3C	. . Bolt, 2BA	2	—	RE1/46
SP13C	. . Washer	2	—	RE1/47
R 110D8726847	. . UNIT, aerial tuning, Type 490T-1	1	—	RE1/48
R 10L0198405	. . UNIT, control, Type 714E-3, on pilot's starboard coaming panel (SRIM.3533) (Mod 4799)	1	—	RE1/49

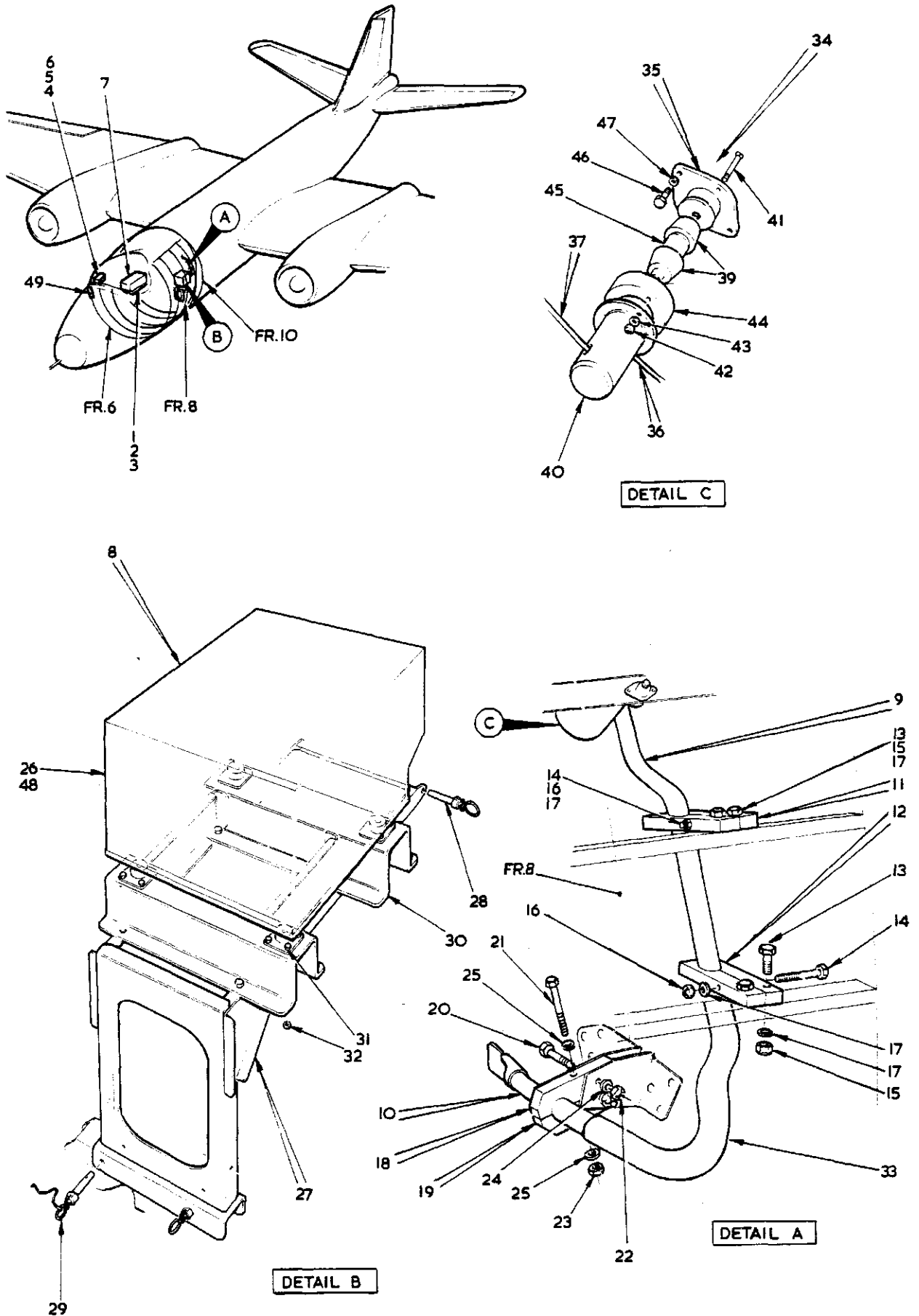


FIG.1 RADIO H.F. INSTALLATION

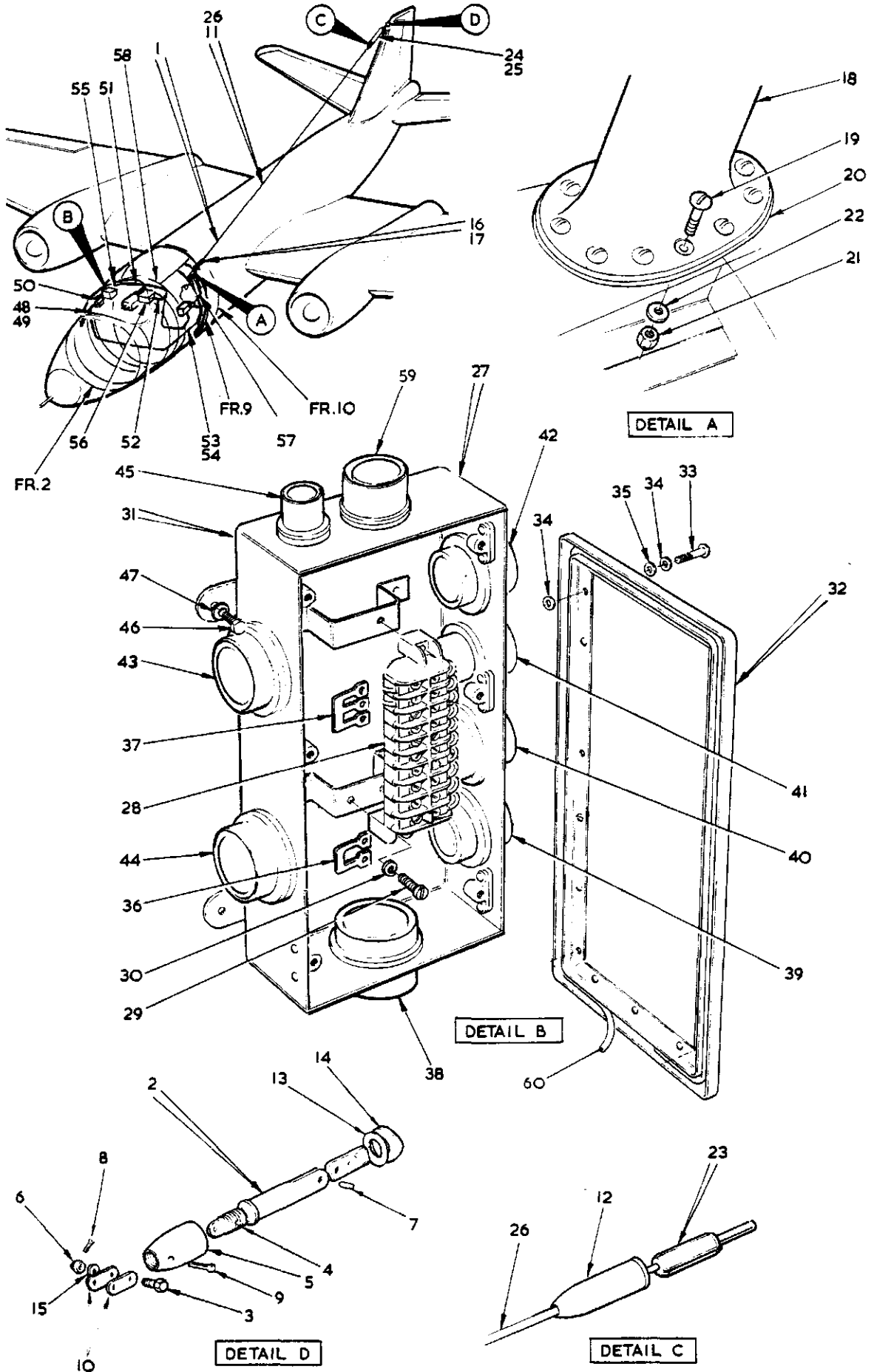


FIG.2 RADIO H.F. INSTALLATION

CODE Z

SECT RE

This file was downloaded
from the RTFM Library.

Link: www.scottbouch.com/rtfm

Please see site for usage terms,
and more aircraft documents.

