

ZERO READER INSTALLATION

Ref. No.	Part No.	Description	No. off	Matl. Spec.	Cl. of Equip M.R. L.M.	Plate No.
	EG4.82.1067	ZERO READER, INSTALLATION (SRIM.3533) (MOD 4799) Spares for:—	—	—	—	RG1/1
6A/6126	†	. BOX, junction, Type E	1	—	A	RG1/2
28S/9997545	A31C16	. Attaching parts for Ref. 6A/6126:—	2	—	C	RG1/3
28W/9419402	SP13C	. Screw	2	—	C	RG1/4
	EB6.80.637	. MOUNTING BOX JUNCTION FOR FLIGHT INSTRUMENT, ASSEMBLY Spares for:—	—	—	—	RG1/5
26413	EB6.80.639	. ANGLE, mounting, assembly	1	—	C	RG1/6
28D/1010658	A25/1B	. Attaching parts for EB6.80.639:— . Bolt, 4BA	3	—	C	RG1/7
26412	EB6.80.643	. PLATE, mounting assembly	1	—	C	RG1/8
28D/1010658	A25/1B	. Attaching parts for EB6.80.643:— . Bolt, 4BA	6	—	C	RG1/9
28M/1278189	AGS2001B1	. Nut, 4BA	6	—	C	RG1/10
28W/9419465	SP13B	. Washer	6	—	C	RG1/11
	SCD78951	. MOUNTING AND COMPUTER, INSTALLATION (SRIM.3533) (MOD 4799) Spares for:—	—	—	—	RG1/12
6A/3122	†	. COMPUTER, Type ZL2	1	—	A	RG1/13
	SCD78952	. TRAY, MOUNTING, ASSEMBLY (SRIM.3533) (MOD 4799) Spares for:—	1	—	—	RG1/14
6A/3359	†	. . . BACKPLATE, assembly	1	—	A	RG1/15
28S/9419435	A31B12	. . . Attaching parts for Ref. 6A/3359:— . . . Bolt, 4BA	6	—	C	RG1/16
28M/1278189	AGS2001B1	. . . Nut, 4BA	6	—	C	RG1/17
28W/9419465	SP13B	. . . Washer	6	—	C	RG1/18
	SCB79728/2 MARCONI	. . . BONDING, strip (SRIM.3533) (Mod 4799)	2	—	—	RG1/19
10AS/9469287	R.I.D. 1004A	. . . DEVICE, lock	3	—	C	RG1/20
10AJ/1201981	†	. . . MOUNTING, AV, 8 lbs (SRIM3533) (Mod 4799)	2	—	C	RG1/21
10AJ/9433711	†	. . . MOUNTING, AV, 14 lbs (SRIM3533) (Mod 4799) Attaching parts for Ref. 10AJ/1201981 or 10AJ/9433711:—	2	—	C	RG1/22
28D/9436920	A25/1C	. . . Bolt, 2BA	4	—	C	RG1/23
28M/1012015	AGS2001C1/66	. . . Nut, 2BA	4	—	C	RG1/24
28D/1010132	A25/12E	. . . Attaching parts for SCD78952:— . . . Bolt, 1/4" BSF	4	—	C	RG1/25
10AC/1053243	†	. . . Washer, check	4	—	C	RG1/26

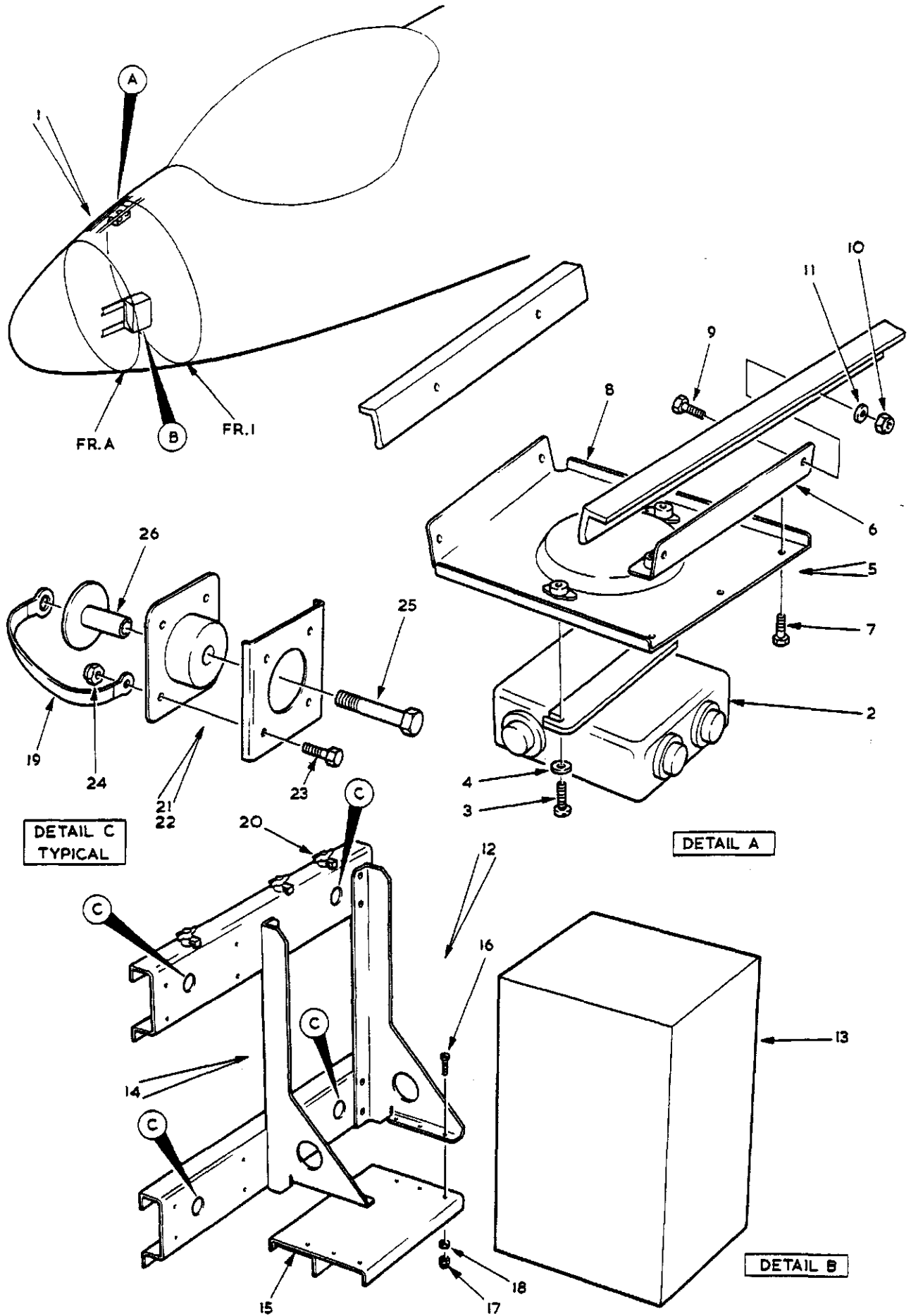


FIG. 1 RADIO, ZERO READER INSTALLATION

CODE Z

SECT. RG

This file was downloaded
from the RTFM Library.

Link: www.scottbouch.com/rtfm

Please see site for usage terms,
and more aircraft documents.

