

## CABIN PRESSURE SYSTEM IN FRONT FUSELAGE

| Part Number      | Description  | No. Off | Matl. Spec. | Plate No. |
|------------------|--|---------|-------------|-----------|
|                  |  |         |             |           |
| EG4.75.403       | CABIN PRESSURE SYSTEM IN FRONT FUSELAGE,<br>ASSEMBLY<br>Spares for:—                                 | —       | —           |           |
| EA3.75.83        | . ADAPTOR, non-return valve mounting<br>Attaching parts for EA3.75.83:—                              | 1       | —           | SB1/1     |
| A25/1C           | . Bolt, 2BA  | 1       | —           | SB1/2     |
| A25/5C           | . Bolt, 2BA  | 5       | —           | SB1/3     |
| AGS2001C1/66     | . Nut, 2BA   | 5       | —           | SB1/4     |
| EA3.75.95        | . Washer, sealing  | 2       | —           | SB1/5     |
| EA3.75.139       | . Washer, retaining, forward of pressure bulkhead  | 1       | —           | SB1/6     |
| SP47C            | . Washer   | 1       | —           | SB1/7     |
| GODFREY<br>22688 | . ADAPTOR, water extractor, drain  | 1       | —           | SB1/8     |
| EA3.75.177       | . BRACKET, pipe support, clip  | 4       | —           | SB2/1     |
| EA3.75.283       | . BRACKET<br>Attaching parts for EA3.75.283:—  | 1       | —           | SB2/2     |
| A25/2C           | . Bolt, 2BA  | 3       | —           | SB2/3     |
| AGS2001C1/66     | . Nut, 2BA   | 3       | —           | SB2/4     |
| SP15C            | . Washer   | 3       | —           | SB2/5     |
| EA3.75.547       | . BRACKET  | 1       | —           | SB2/6     |
| EEAS136          | . BRACKET, pipe support, clip  | 1       | —           | SB2/7     |
| EB6.75.369       | . BRACKET, assembly, support forward water extractor   | 1       | —           | SB1/9     |
| EB6.75.591       | . BRACKET, assembly, support aft, water extractor<br>Attaching parts for EB6.75.369 and EB6.75.591:— | 1       | —           | SB1/10    |
| A25/11C          | . Bolt, 2BA  | 4       | —           | SB1/11    |
| AGS2001C1/66     | . Nut, 2BA   | 4       | —           | SB1/12    |
| AS2811/5/093     | . Piece, distance  | 4       | —           | SB1/13    |
| SP15C            | . Washer   | 4       | —           | SB1/14    |
| EB6.75.621       | . BRACKET, assembly<br>Attaching parts for EB6.75.621:—  | 1       | —           | SB2/8     |
| AS1246/1/2B      | . Bolt, 4BA  | 2       | —           | SB2/9     |
| AGS2001B2        | . Nut, 4BA   | 2       | —           | SB2/10    |
| EB6.75.697       | . BRACKET, pipe support, frame 12A<br>Attaching parts for EB6.75.697:—                               | 1       | —           | SB1/15    |
| A25/1C           | . Bolt, 2BA  | 2       | —           | SB1/16    |
| AGS2001C1/66     | . Nut, 2BA   | 2       | —           | SB1/17    |
| SP15C            | . Washer   | 2       | —           | SB1/18    |
| EA1.75.105       | . CLIP, pipe, at frames 2 and 6  | 2       | —           | SB2/11    |
| EA2.75.37        | . CLIP, pipe<br>Attaching parts for EA1.75.105 and EA2.75.37:—                                       | 5       | —           | SB2/12    |
| A25/1C           | . Bolt, 2BA  | 2       | —           | SB2/13    |
| AGS2001C1/66     | . Nut, 2BA   | 2       | —           | SB2/14    |
| SP15C            | . Washer   | 2       | —           | SB2/15    |
| EB7.75.507       | . CLIP, lagging, between frames A and I<br>Attaching parts for EB7.75.507:—                          | 3       | Glass cloth | SB2/16    |
| A61/2B           | . Bolt, 4BA  | 1       | —           | SB2/17    |
| AGS2001B3        | . Nut, 4BA   | 1       | —           | SB2/18    |
| SP15B            | . Washer   | 1       | —           | SB2/19    |

## CABIN PRESSURE SYSTEM IN FRONT FUSELAGE

| Part Number                  | Description  | No. Off | Matl. Spec. | Plate No. |
|------------------------------|--|---------|-------------|-----------|
|                              |  |         |             |           |
| EB6.75.623                   | . CLIP, pipe<br>Attaching parts for EB6.75.623:-   | 1       | -           | SB2/20    |
| AS1246/1/2B                  | . Bolt, 4BA  | 2       | -           | SB2/21    |
| AGS2001B2                    | . Nut, 4BA   | 2       | -           | SB2/22    |
| AS4525/3                     | . CLIP   | 5       | -           | SB1/19    |
| AS4525/16                    | . CLIP<br>Attaching parts for AS4525/3 and AS4525/16:-   | 1       | -           | SB1/20    |
| A25/1C                       | . Bolt   | 1       | -           | SB1/21    |
| AGS2001C1/66                 | . Nut  | 1       | -           | SB1/22    |
| EEAS237/3A                   | . Washer, 'D'  | 1       | -           | SB1/23    |
| AGS1104A                     | . CONE, adaptor<br>Attaching parts for AGS1104A:-  | 2       | -           | SB1/24    |
| AGS567A                      | . Washer, jointing   | 1       | Fibre       | SB1/25    |
| AGS1169                      | . CONE, cap  | 1       | -           | SB1/26    |
| EA3.75.145                   | . CONNECTION, rubber<br>Attaching parts for EA3.75.145:-   | 5       | Silastic    | SB2/23    |
| SP91J                        | . Clip, hose   | 2       | -           | SB2/24    |
| R EA3.75.147<br>or<br>DUNLOP | . CONNECTION, rubber 2.5" I/D x 3.0" LONG  | 5       | Silastic    | SB1/27    |
| R DAS582/40/3.0              | . CONNECTOR, tubing<br>Attachments for EA3.75.147 or DAS582/40/3.0:-   | QR      | -           |           |
| R SP91L                      | . Clip, hose   | 2       | -           | SB1/28    |
| SP91P                        | . Clip, hose   | 2       | -           | SB1/29    |
| EB7.75.415A                  | . Lagging  | 2       | -           | SB1/30    |
| EEAS66/14                    | . Ring, clamping   | 2       | -           | SB1/31    |
| EB7.75.125                   | . CONNECTOR, flanged, for main pipe at frame 3, LH   | 1       | Glass cloth | SB4/1     |
| EB7.75.126                   | . CONNECTOR, flanged, for main pipe at frame 4, RH   | 1       | Glass cloth | SB4/2     |
| EB7.75.127                   | . CONNECTOR, flanged, for main pipe at frame 5<br>Attaching parts for EB7.75.125, EB7.75.126 and<br>EB7.75.127:- | 1       | -           | SB4/3     |
| A25/2B                       | . Bolt, 4BA  | 6       | -           | SB4/4     |
| SP91L                        | . Clip   | 6       | -           | SB4/5     |
| AGS2001B1                    | . Nut, 4BA   | 6       | -           | SB4/6     |
| EB7.75.129                   | . Ring, half, bolt at frames 3 and 4   | 2       | L59         | SB4/7     |
| EB7.75.131                   | . Ring, half, bolt at frame 5  | 2       | L59         | SB4/8     |
| SP15B                        | . Washer   | 6       | -           | SB4/9     |
| EB6.75.379                   | . COUPLING, water extractor, drain pipe outlet aft of frame 10   | 1       | DTD423      | SB1/32    |
| EB7.75.23                    | . DIFFUSER, assembly, navigator  | 1       | -           | SB4/10    |
| EB7.75.63                    | . DIFFUSER, PILOT'S, ASSEMBLY<br>Spares for:-  | -       | -           | SB4/11    |
| EB7.75.29                    | . BRACKET, diffuser mounting<br>Attaching parts for EB7.75.29:-  | 1       | L59         | SB4/12    |
| AS1246/1B                    | . Bolt, 4BA  | 2       | -           | SB4/13    |
| AGS2001B1                    | . Nut, stiff, 4BA  | 2       | -           | SB4/14    |
| SP13B                        | . Washer   | 2       | -           | SB4/15    |

AP 101B-0415-3A

## SERVICES

## CABIN PRESSURE SYSTEM IN FRONT FUSELAGE

| Part Number          | Description   | No. Off | Matl. Spec. | Plate No. |   |
|----------------------|---|---------|-------------|-----------|---|
|                      |   |         |             |           | 1 |
| EB7.75.23            | . . DIFFUSER, assembly<br>Attaching parts for EB7.75.23:—               | 1       | —           | SB4/16    |   |
| A25/10C              | . . Bolt, 2BA   | 1       | —           | SB4/17    |   |
| EB7.75.31            | . . Clip  | 1       | L59         | SB4/18    |   |
| AGS2001C1/66         | . . Nut, stiff, 2BA   | 1       | —           | SB4/19    |   |
| AS2811/5/095         | . . Tube, distance  | 1       | —           | SB4/20    |   |
| SP13C                | . . Washer  | 1       | —           | SB4/21    |   |
| GODFREY<br>22697/B   | . . EXTRACTOR, water, Type W.E. Mk. 2B<br>Attaching parts for 22697/B:— | 1       | —           | SB1/33    |   |
| EB6.75.397A          | . . Lagging   | 1       | —           | SB1/34    |   |
| EB6.75.399A          | . . Lagging   | 1       | —           | SB1/35    |   |
| AGS2001C1/66         | . . Nut, 2BA  | 2       | —           | SB1/36    |   |
| AS2811/5/093         | . . Piece, distance   | 2       | L62         | SB1/37    |   |
| EB6.75.381           | . . Rod, tension  | 2       | S92         | SB1/38    |   |
| EB6.75.377           | . . Strap, securing   | 2       | L72         | SB1/39    |   |
| EB6.75.383           | . . Trunnion  | 2       | S92         | SB1/40    |   |
| SP15C                | . . Washer  | 2       | —           | SB1/41    |   |
| EG4.75.23            | . . FISHTAIL, navigator's diffuser<br>Attaching parts for EG4.75.23:—   | 1       | —           | SB4/22    |   |
| A25/3C               | . . Bolt, 2BA   | —       | —           | SB4/23    |   |
| AGS2001C1/66         | . . Nut, stiff, 2BA   | —       | —           | SB4/24    |   |
| SP13C                | . . Washer  | —       | —           | SB4/25    |   |
| EB7.75.59            | . . FISHTAIL, PILOT'S, ASSEMBLY<br>Spares for:—                         | —       | —           | SB2/25    |   |
| EB7.75.21            | . . FISHTAIL, pilot's diffuser<br>Attaching parts for EB7.75.21:—       | 1       | —           | SB2/26    |   |
| A25/1B               | . . Bolt, 4BA   | 4       | —           | SB2/27    |   |
| AS3360C6C            | . . LEAD, bonding<br>Attaching parts for AS3360C6C:—                    | 2       | —           | SB4/26    |   |
| A25/1C               | . . Bolt, 2BA   | 3       | —           | SB4/27    |   |
| AS4525/16            | . . Clip  | 2       | —           | SB4/28    |   |
| AS4525/12            | . . Clip  | 1       | —           | SB4/29    |   |
| AGS2001C1/66         | . . Nut, stiff, 2BA   | 3       | —           | SB4/30    |   |
| EEAS237/4A           | . . Washer, 'D'   | 3       | —           | SB4/31    |   |
| THERMO TANKS<br>DAR2 | . . LOUVRE, punkah, navigator's<br>Attaching parts for DAR2:—           | 1       | —           | SB4/32    |   |
| AS1246/4B            | . . Bolt, 4BA   | 3       | —           | SB4/33    |   |
| AGS2001B1            | . . Nut, 4BA  | 3       | —           | SB4/34    |   |
| SP13B                | . . Washer  | 3       | —           | SB4/35    |   |
| EB7.75.61            | . . LOUVRE, PILOT'S (PEDAL GUARD), ASSEMBLY<br>Spares for:—             | —       | —           | SB5/1     |   |
| EB7.75.41            | . . BRACKET, punkah louvre mounting<br>Attaching parts for EB7.75.41:—  | 1       | L72         | SB5/2     |   |
| AS1246/1C            | . . Bolt, 2BA   | 3       | —           | SB5/3     |   |
| AGS2001C1/66         | . . Nut, 2BA  | 3       | —           | SB5/4     |   |

R  
R

## SERVICES

## CABIN PRESSURE SYSTEM IN FRONT FUSELAGE

| Part Number             | Description  | No. Off |   |   |   |   |   | Matl. Spec. | Plate No. |
|-------------------------|--|---------|---|---|---|---|---|-------------|-----------|
|                         |  | 1       | 2 | 3 | 4 | 5 | 6 |             |           |
| THERMO TANK<br>K1259/43 | . . LOUVRE, punkah, type DAR2<br>Attaching parts for K1259/43:—  |         |   |   |   |   | 1 | —           | SB5/5     |
| AS2922/4B               | . . Bolt, 4BA  |         |   |   |   |   | 3 | —           | SB5/6     |
| AGS2001B1               | . . Nut, 4BA   |         |   |   |   |   | 3 | —           | SB5/7     |
| SP14B                   | . . Washer   |         |   |   |   |   | 3 | —           | SB5/8     |
| EG4.75.315              | . LOUVRE, PILOT'S (STARBOARD SIDE), ASSEMBLY<br>(MOD 3564)<br>Spares for:—   |         |   |   |   |   | — | —           | SB5/9     |
| EG4.75.311              | . . BOX, louvre, assembly<br>Attaching parts for EG4.75.311:—  |         |   |   |   |   | 1 | —           | SB5/10    |
| A25/6C                  | . . Bolt, 2BA  |         |   |   |   |   | 2 | —           | SB5/11    |
| AGS2001C1/66            | . . Nut, 2BA   |         |   |   |   |   | 2 | —           | SB5/12    |
| AS2811/5/046            | . . Piece, distance  |         |   |   |   |   | 2 | —           | SB5/13    |
| EB7.75.35               | . . BRACKET, punkah louvre mounting  |         |   |   |   |   | 1 | —           | SB5/14    |
| EB7.75.37               | . . BRACKET, punkah louvre mounting<br>Attaching parts for EB7.75.35 and EB7.75.37:—                                 |         |   |   |   |   | 1 | —           | SB5/15    |
| 4101/10R3/8             | . . Screw, P.K.  |         |   |   |   |   | 1 | —           | SB5/16    |
| EB7.75.523              | . . BRACKET, demand, oxygen hose clip attachments<br>Attaching parts for EB7.75.523:—                                |         |   |   |   |   | 1 | —           | SB5/17    |
| A25/1B                  | . . Bolt, 4BA  |         |   |   |   |   | 2 | —           | SB5/18    |
| AGS2001B1               | . . Nut, 4BA   |         |   |   |   |   | 2 | —           | SB5/19    |
| SP13B                   | . . Washer   |         |   |   |   |   | 2 | —           | SB5/20    |
| EB7.75.55               | . . LOUVRE, punkah, type DAR2<br>Attaching parts for EB7.75.55:—   |         |   |   |   |   | 1 | —           | SB5/21    |
| AS2922/3B               | . . Bolt, 4BA  |         |   |   |   |   | 3 | —           | SB5/22    |
| SP14B                   | . . Washer   |         |   |   |   |   | 3 | —           | SB5/23    |
| AGS1142B                | . NIPPLE, adapter  |         |   |   |   |   | 2 | —           | SB1/42    |
| EA3.75.167              | . NOZZLE, hot air, bomb aimer's window   |         |   |   |   |   | 1 | —           | SB2/28    |
| EA3.75.279              | . PIPE, bend, between nose frames A and B  |         |   |   |   |   | 1 | L54         | SB2/29    |
| EA3.75.281              | . PIPE, bend, at nose frame B  |         |   |   |   |   | 1 | L54         | SB2/30    |
| EB6.75.367              | . PIPE, assembly, water extractor drain  |         |   |   |   |   | 1 | L56         | SB1/43    |
| EB6.75.687              | . PIPE, bend, between Normalair non-return valve and<br>hose coupling at frame 9<br>Attaching parts for EB6.75.687:— |         |   |   |   |   | 1 | Glass cloth | SB1/44    |
| SP91N                   | . Clip   |         |   |   |   |   | 2 | —           | SB1/45    |
| EB6.75.385              | . Lagging  |         |   |   |   |   | 1 | —           | SB1/46    |
| EB6.75.387              | . Lagging  |         |   |   |   |   | 1 | —           | SB1/47    |
| SP90C3                  | . PIN, split   |         |   |   |   |   | 1 | —           | SB1/48    |
| EB6.75.689              | . PIPE, bend, from water extractor forward coupling to<br>hose coupling at frame 9<br>Attachments for EB6.75.689:—   |         |   |   |   |   | 1 | Glass cloth | SB1/49    |
| SP91P                   | . Clip   |         |   |   |   |   | — | —           | SB1/50    |
| EB6.75.389              | . Lagging  |         |   |   |   |   | 1 | —           | SB1/51    |
| EB6.75.391              | . Lagging  |         |   |   |   |   | 1 | —           | SB1/52    |

## CABIN PRESSURE SYSTEM IN FRONT FUSELAGE

| Part Number | Description   | No. Off | Mati. Spec. | Plate No. |
|-------------|---|---------|-------------|-----------|
|             |   |         |             |           |
| EB6.75.691  | . PIPE, bend, from hose coupling between frames 11 and 12A, to coupling aft of frame 12A<br>Attachments for EB6.75.691 :- | 1       | Glass cloth | SB1/53    |
| 32B1250460  | . Lagging, fibre glass blanket  | QR      | -           | SB1/54    |
| 32B2203354  | . Tape, adhesive  | QR      | -           | SB1/55    |
| EB6.75.693  | . PIPE, from water extractor aft coupling to coupling between frames 11 and 12A<br>Attachments for EB6.75.693 :-          | 1       | Glass cloth | SB1/56    |
| SP91N       | . Clip  | 2       | -           | SB1/57    |
| EB6.75.393  | . Lagging   | 1       | -           | SB1/58    |
| EB6.75.395  | . Lagging   | 1       | -           | SB1/59    |
| EB6.75.695  | . PIPE, main continuation between frames 3 and 4<br>Attachments for EB6.75.695 :-   | 1       | Glass cloth | SB4/36    |
| A61/2B      | . Bolt, 4BA   | 2       | -           | SB4/37    |
| EB7.75.505  | . Clip  | 2       | -           | SB4/38    |
| EB7.75.203A | . Lagging   | 2       | -           | SB4/39    |
| AGS2001B3   | . Nut, 4BA  | 2       | -           | SB4/40    |
| SP15B       | . Washer  | 4       | -           | SB4/41    |
| EB7.75.69   | . PIPE, branch, assembly, for pilot's louvre, navigator's diffuser and canopy demisting<br>Attachments for EB7.75.69 :-   | 1       | L54         | SB2/31    |
| SP91L       | . Clip  | 6       | -           | SB2/32    |
| EB7.75.209A | . Lagging   | 1       | -           | SB2/33    |
| EB7.75.211A | . Lagging   | 1       | -           | SB2/34    |
| EB7.75.213A | . Lagging   | 1       | -           | SB2/35    |
| EB7.75.215A | . Lagging   | 1       | -           | SB2/36    |
| EB7.75.597A | . Lagging   | 2       | -           | SB2/27    |
| EB7.75.71   | . PIPE, branch, for pilot's louvre (pedal guard)  | 1       | L54         | SB2/38    |
| EB7.75.79   | . PIPE, flanged, canopy demisting at frame 2<br>Attachments for EB7.75.79 :-  | 1       | L54         | SB2/39    |
| SP91J       | . Clip  | 3       | -           | SB2/40    |
| EB7.75.219A | . Lagging   | 1       | -           | SB2/41    |
| EB7.75.805A | . Lagging   | 1       | -           | SB2/42    |
| EB7.75.89   | . PIPE, branch, main, between frames 1 and 2, for diffusers and canopy demisting<br>Attachments for EB7.75.89 :-          | 1       | L54         | SB2/43    |
| SP91L       | . Clip  | 2       | -           | SB2/44    |
| SP91N       | . Clip  | 3       | -           | SB2/45    |
| EB7.75.205A | . Lagging   | 2       | -           | SB2/46    |
| EB7.75.511A | . Lagging   | 1       | -           | SB2/47    |
| EB7.75.513A | . Lagging   | 1       | -           | SB2/48    |
| EG4.75.309  | . PIPE, flexible, from branch pipe to pilot's louvre (Pre-Mod 5236)   | 1       | -           | SB2/49    |
| EG4.75.409  | . PIPE, flexible from branch pipe to pilot's louvre (Mod 5236)<br>Attaching parts for EG4.75.309 and EG4.75.409 :-        | -       | -           |           |
| SP144/028   | . Clip  | 2       | -           | SB2/50    |

## SERVICES

## CABIN PRESSURE SYSTEM IN FRONT FUSELAGE

| Part Number  | Description  | No. Off | Mati. Spec.       | Plate No. |
|--------------|--|---------|-------------------|-----------|
|              |  |         |                   |           |
| EG4.74.313   | . PIPE, assembly<br>Attaching parts for EG4.74.313 :-  | 1       | -                 | SB4/42    |
| AS3181/128   | . Clip, 'P'  | 1       | -                 | SB4/43    |
| SP144/028    | . Clip   | 1       | -                 | SB4/44    |
| 4104/6/¼     | . Screw, N.P.K.  | 1       | -                 | SB4/45    |
| EB6.75.1059  | . PIPE, branch, pilot's diffuser, navigator's louvre and fishtail  | 1       | -                 | SB4/46    |
| EB7.75.233   | . PIPE, flexible, from branch pipe to pilot's louvre (Pre-Mod 5236)  | 1       | -                 | SB2/51    |
| EA3.75.677   | . PIPE, flexible, from branch pipe to pilot's louvre (Mod 5236)  | 1       | -                 |           |
| SP144/028    | Attaching parts for EB7.75.233 and EA3.75.677 :-<br>. Clip   | 2       | -                 | SB2/52    |
| EB6.75.1105  | . PIPE, flexible, to navigator's louvre (Pre-Mod 5236)   | 1       | -                 | SB4/47    |
| EA3.75.701   | . PIPE, flexible, to navigator's louvre (Mod 5236)   | 1       | -                 |           |
| SP144/028    | Attaching parts for EB6.75.1105 and EA3.75.701 :-<br>. Clip  | 2       | -                 | SB4/48    |
| EB6.75.1103  | . PIPE, flexible, to pilot's diffuser (Pre-Mod 5236)   | 1       | -                 | SB4/49    |
| EG4.75.407   | . PIPE, flexible, to pilot's diffuser (Mod 5236)   | 1       | -                 |           |
| SP144/028    | Attaching parts for EB7.75.1103 and EG4.75.407 :-<br>. Clip  | 2       | -                 | SB4/50    |
| EB6.75.1053  | . PIPE, branch, to pilot's diffuser and navigator's louvre<br>Attaching parts for EB6.75.1053 :-                           | 1       | L54               | SB4/51    |
| A25/1C       | . Bolt, 2BA (as required)  | 1       | -                 | SB4/52    |
| A25/9C       | . Bolt, 2BA (as required)  | 1       | -                 | SB4/53    |
| AS4525/16    | . Clip   | 2       | -                 | SB4/54    |
| AGS2001C1/66 | . Nut, stiff, 2BA (as required)  | 1       | -                 | SB4/55    |
| AS2810/5/08  | . Tube, distance (as required)   | 1       | -                 | SB4/56    |
| EEAS237/4A   | . Washer, 'D' (as required)  | 1       | -                 | SB4/57    |
| SCC79989     | . PIPE, from branch pipe to navigator's fishtail (SRIM 3533) (Mod 4799) ¾" o/d x 22 SWG<br>Attaching parts for SCC79989 :- | 1       | L56               | SB4/58    |
| SP144/028    | . Clip   | 1       | -                 | SB4/59    |
| SP91C        | . Clip   | 1       | -                 | SB4/60    |
| EB7.75.223   | . PIPE, flexible, for pilot's fishtail (Pre-Mod 5236)  | 1       | Bells<br>Asbestos | SB2/53    |
| EA3.75.685   | . PIPE, flexible, from pilot's fishtail (Mod 5236)<br>Attaching parts for EB7.75.223 and EA3.75.685 :-                     | 1       | -                 |           |
| SP144/028    | . Clip   | 2       | -                 | SB2/54    |
| EB7.75.239   | . PIPE, flexible, from branch pipe to navigator's diffuser (Pre-Mod 5236)  | 1       | -                 | SB4/61    |
| EA3.75.681   | . PIPE, flexible, from branch pipe to navigator's diffuser (Mod 5236)  | -       | -                 |           |
| SP144/028    | Attaching parts for EB7.75.239 and EA3.75.681 :-<br>. Clip   | 2       | -                 | SB4/62    |
| AS3181/20C   | . Clip   | 2       | -                 | SB4/63    |
| 8R x 5/16"   | . Screw  | 2       | -                 | SB4/64    |

## SERVICES

## CABIN PRESSURE SYSTEM IN FRONT FUSELAGE

| Part Number   | Description  | No. Off | Mati. Spec. | Plate No. |
|---------------|--|---------|-------------|-----------|
|               |  |         |             |           |
| EB6.75.1445   | . PIPE, flexible, from main branch at frame 2 (Pre-Mod 5236)<br>(Make from Ref. 13016)                       | 1       | -           | SB2/56    |
| EA3.75.711    | . PIPE, flexible, from main branch at frame 2 (Mod 5236)<br>Attaching parts for EB6.75.1445 and EA3.75.711:- | -       | -           |           |
| A25/1C        | . Bolt (as required)   | 1       | -           | SB2/56    |
| SP144/028     | . Clip   | 2       | -           | SB2/57    |
| AS3181/18C    | . Clip   | 1       | -           | SB2/58    |
| AS3181/24C    | . Clip   | 1       | -           | SB2/59    |
| AGS2001C1/66  | . Nut (as required)  | 1       | -           | SB2/60    |
| EB7.75.781    | . PIPE, main, continuation, between frames 5 and 6<br>Attachments for EB7.75.781:-                           | 1       | Glass cloth | SB4/65    |
| SP91N         | . Clip   | 3       | -           | SB4/66    |
| EB7.75.195A   | . Lagging  | 1       | -           | SB4/67    |
| EB7.75.197A   | . Lagging  | 1       | -           | SB4/68    |
| EB7.75.199A   | . Lagging  | 2       | -           | SB4/69    |
| EB7.75.783    | . PIPE, flanged, main, at forward face of pressure bulkhead<br>Attachments for EB7.75.783:-                  | 1       | Glass cloth | SB1/60    |
| SP91N         | . Clip   | 2       | -           | SB1/61    |
| SP91R         | . Clip   | 1       | -           | SB1/62    |
| EB7.75.155A   | . Lagging  | 1       | -           | SB1/63    |
| EB7.75.157A   | . Lagging  | 1       | -           | SB1/64    |
| EB7.75.159A   | . Lagging  | 1       | -           | SB1/65    |
| EB7.75.525A   | . Lagging  | 1       | -           | SB1/66    |
| EB7.75.509A   | . Lagging  | 1       | -           | SB1/67    |
| EB7.75.697A   | . Lagging  | 1       | -           | SB1/68    |
| EB7.75.791    | . PIPE, branch, pilot's fishtail<br>Attachments for EB7.75.791:-   | 1       | Glass cloth | SB2/61    |
| R 32B/1250460 | . Lagging, fibre glass blanket   | QR      | -           | SB2/62    |
| EB7.75.793    | . PIPE, main, continuation, between frames 4 and 5<br>Attachments for EB7.75.793:-                           | 1       | Glass cloth | SB4/70    |
| A61/2B        | . Bolt, 4BA  | 2       | -           | SB4/71    |
| EB7.75.505    | . Clip   | 2       | -           | SB4/72    |
| EB7.75.201A   | . Lagging  | 2       | -           | SB4/73    |
| AGS2001B3     | . Nut, 4BA   | 2       | -           | SB4/74    |
| SP15B         | . Washer   | 4       | -           | SB4/75    |
| EB6.75.1049   | . PIPE, assembly, from pressure control valve  | 1       | L54         | SB1/69    |
| EB6.75.1047   | . PIPE, assembly, intermediate, between pressure control<br>valve and master unit                            | 1       | L54         | SB1/70    |
| EB6.75.1045   | . PIPE, assembly, connecting master unit to pressure<br>control valve line                                   | 1       | L54         | SB1/71    |
| EB6.75.1063   | . PIPE, bend, from branch pipe to coupling aft of frame 3  | -       | -           | SB4/76    |
| EB7.75.613    | . SEAL, canopy demister pipe flange at frame 2<br>Attaching parts for EB7.75.613:-                           | 2       | Asbestos    | SB4/77    |
| A25/3C        | . Bolt, 2BA  | 6       | -           | SB4/78    |
| AGS2001C1/66  | . Nut, 2BA   | 6       | -           | SB4/79    |
| SP15C         | . Washer   | 6       | -           | SB4/80    |

## CABIN PRESSURE SYSTEM IN FRONT FUSELAGE

| Part Number         | Description   | No.<br>Off | Mati. Spec.          | Plate No. |
|---------------------|---|------------|----------------------|-----------|
|                     |   |            |                      |           |
| AGS904A             | . SLEEVE, outer   | 1          | —                    | SB1/72    |
| EB6.75.1107         | . SLEEVE, pipe connecting   | 3          | Silastic             | SB4/81    |
| EB6.75.1109         | . SLEEVE, pipe  | 1          | Asbestos<br>Silastic | SB4/82    |
| EEAS20/2DR          | . TAB, locking  | 1          | —                    | SB1/73    |
| AGS1102A            | . UNION, body   | 2          | —                    | SB1/74    |
| NORMALAIR<br>500326 | . UNIT, master<br>Attaching parts for 500326:—                                  | 1          | —                    | SB1/75    |
| A25/2E              | . Bolt, 1/4" BSF  | 2          | —                    | SB1/76    |
| AGS2001E1/66        | . Nut, 1/4" BSF   | 2          | —                    | SB1/77    |
| SP15E               | . Washer  | 2          | —                    | SB1/78    |
| NORMALAIR<br>500457 | . VALVE, non-return<br>Attaching parts for 500457:—                             | 1          | —                    | SB1/79    |
| A25/3C              | . Bolt, 2BA   | 2          | —                    | SB1/80    |
| A25/5C              | . Bolt, 2BA   | 10         | —                    | SB1/81    |
| AGS2001C1/66        | . Nut, 2BA  | 10         | —                    | SB1/82    |
| EB7.75.133          | . Ring, half bolt   | 2          | L59                  | SB1/83    |
| EA1.75.131          | . Washer, jointing  | 2          | Langite              | SB1/84    |
| SP15C               | . Washer  | 12         | —                    | SB1/85    |
| SP47C               | . Washer  | 2          | —                    | SB1/86    |
| NORMALAIR<br>493020 | . VALVE, pressure control (Pre-Mod 3955)  | 1          | —                    |           |
| NORMALAIR<br>527060 | . VALVE, pressure control (Mod 3955)<br>Attaching parts for 527060 and 493020:— | 1          | —                    | SB1/87    |
| A25/2E              | . Bolt, 1/4" BSF  | 7          | —                    | SB1/88    |
| A27ET               | . Nut, 1/4" BSF   | 1          | —                    | SB1/89    |
| EA3.75.573          | . Stud  | 1          | S92                  | SB1/90    |
| SP15E               | . Washer  | 11         | —                    | SB1/91    |
| SP47E               | . Washer  | 11         | —                    | SB1/92    |

## SERVICES

## CABIN PRESSURE SYSTEM IN CENTRE FUSELAGE

| Part Number  | Description   | No. Off               | Matl. Spec.                         | Plate No.                                      |
|--|---|-----------------------|-------------------------------------|--|
|  |   |                       |                                     |  |
| EB6.75.5   | CABIN, PRESSURE SYSTEM IN CENTRE FUSELAGE, ASSEMBLY<br>Spares for :-  | -                     | -                                   |  |
| EB6.75.639   | . BRACKET, for starboard cabin pressure wing to fuselage pipe between frames 16 and 17<br>Attaching parts for EB6.75.639 :-   | 1                     | L59                                 | SB6/1  |
| A25/5C<br>AGS2001C1/66<br>SP15C                              | . Bolt, 2BA<br>. Nut, stiff, 2BA<br>. Washer  | 2<br>2<br>2           | -<br>-<br>-                         | SB6/2<br>SB6/3<br>SB6/4                        |
| EA1.75.121<br>EB6.11.1533<br>EA1.75.106                      | . BRACKET<br>. BRACKET<br>. CLIP, pipe, between frames 12 to 17<br>Attaching parts for EA1.75.106 :-  | 4<br>1<br>4           | -<br>-<br>L72                       | SB6/5<br>SB6/6<br>SB6/7                        |
| A25/1C<br>AGS2001C1/66<br>SP15C                              | . Bolt<br>. Nut<br>. Washer   | 2<br>2<br>2           | -<br>-<br>-                         | SB6/8<br>SB6/9<br>SB6/10                       |
| EA2.75.37  | . CLIP, pipe, for port and starboard elbows and transverse pipe at frame 16<br>Attaching parts for EA2.75.37 :-   | 4                     | L72                                 | SB6/11   |
| A25/2C<br>A25/3C<br>A25/4C<br>AGS2001C1/66<br>SP15C          | . Bolt, 2BA (as required)<br>. Bolt, 2BA (as required)<br>. Bolt, 2BA (as required)<br>. Nut, 2BA<br>. Washer   | 2<br>2<br>2<br>2<br>2 | -<br>-<br>-<br>-<br>-               | SB6/12<br>SB6/13<br>SB6/14<br>SB6/15<br>SB6/16 |
| EB6.75.181   | . CLIP, pipe, for transverse pipe at frame 16<br>Attaching parts for EB6.75.181 :-  | 4                     | L72                                 | SB6/17   |
| A25/2C<br>AGS2001C1/66<br>SP15C                              | . Bolt, 2BA (as required)<br>. Nut, stiff, 2BA<br>. Washer  | 2<br>2<br>2           | -<br>-<br>-                         | SB6/18<br>SB6/19<br>SP6/20                     |
| EB6.75.183<br>AGS1661M<br>AGS952J<br>AGS1104/B<br>EA3.75.147 | . CLIP, special, for lagging on transverse pipe on frame 16<br>. CLIP, bonding<br>. COLLAR, pipe<br>. CONE, adaptor<br>. CONNECTION, rubber, 2."5 i/d x 3/32" x 3.0" long | 6<br>3<br>1<br>1<br>7 | -<br>-<br>-<br>-<br>Silastic<br>150 | SB6/21<br>SB6/22<br>SB6/23<br>SB6/24<br>SB6/25 |
| or<br>DUNLOP<br>DAS582/40/ 3.0                               | . CONNECTOR, tubing<br>Attaching parts for EA3.75.147 and DAS582/40/ 3.0:-  | QF.                   | -                                   |  |
| SP91L  | . Clip  | 2                     |                                     | SB6/26   |
| EA4.75.321<br>EA9.75.567                                     | . CONNECTOR, straight (Mod 5257)<br>. FAIRLEAD, for port cabin pressure wing to fuselage pipe, between frames 16 and 17<br>Attaching parts for EA9.75.567 :-              | 1<br>1                | -<br>LFS21                          | †<br>SB6/27                                    |
| A25/5C<br>AGS2001C1/66<br>SP15/C                             | . Bolt, 2BA<br>. Nut, stiff, 2BA<br>. Washer  | 6<br>6<br>6           | -<br>-<br>-                         | SB6/28<br>SB6/29<br>SB6/30                     |

## CABIN PRESSURE SYSTEM IN CENTRE FUSELAGE

| Part Number | Description  | No. Off | Matl. Spec. | Plate No. |   |   |   |   |        |
|-------------|--|---------|-------------|-----------|---|---|---|---|--------|
|             |  |         |             | 1         | 2 | 3 | 4 | 5 | 6      |
| R AS336084B | . LEAD, bonding  | 1       | —           |           |   |   |   |   | SB6/31 |
| A25/16B     | . Attaching parts for AS336084B :-   | 1       | —           |           |   |   |   |   | SB6/32 |
| A278P       | . Bolt   | 1       | —           |           |   |   |   |   | SB6/33 |
| EB6.75.643  | . Nut  | 1       | —           |           |   |   |   |   | SB6/34 |
| AGS1170K    | . NIPPLE, special (Make from AGS1142/1)  | 1       | —           |           |   |   |   |   | SB6/35 |
| R SP91L     | . NIPPLE   | 1       | —           |           |   |   |   |   | SB6/36 |
| EB6.75.179A | . Attachments for AGS1170K :-  | 2       | —           |           |   |   |   |   | SB6/37 |
| AGS1142K    | . Clip   | 2       | —           |           |   |   |   |   | SB6/38 |
| AGS1140B    | . Lagging  | 2       | —           |           |   |   |   |   | SB6/39 |
| EB6.75.595  | . NIPPLE, adaptor  | 4       | —           |           |   |   |   |   | SB6/40 |
| EB6.75.157  | . NIPPLE, plug (Pre-Mod 5257)  | 1       | —           |           |   |   |   |   | SB6/41 |
| SP90C5      | . PACKING  | 2       | —           |           |   |   |   |   | SB6/42 |
| EA3.75.55   | . PIECE, four-way, bombsight and cabin pressure air supply at frame 16 (Pre-Mod 5257)  | 1       | DTD683      |           |   |   |   |   | SB6/43 |
| R SP91N     | . PIN, split (Pre-Mod 5257)  | 1       | —           |           |   |   |   |   | SB6/44 |
| EB6.75.129A | . PIPE, from rubber joint at frame 13 to rubber joint at frame 12, 2 1/2" o/d x 20 SWG | 1       | L54         |           |   |   |   |   | SB6/45 |
| EB6.75.131A | . Attachments for EA3.75.55 :-   | 2       | —           |           |   |   |   |   | SB6/46 |
| EA3.75.57   | . Clip   | 1       | —           |           |   |   |   |   | SB6/47 |
| R SP91N     | . Lagging  | 1       | —           |           |   |   |   |   | SB6/48 |
| EB6.75.133A | . Lagging  | 1       | —           |           |   |   |   |   | SB6/49 |
| EB6.75.135  | . Lagging  | 1       | —           |           |   |   |   |   | SB6/50 |
| EB6.75.137A | . Lagging  | 1       | —           |           |   |   |   |   | SB6/51 |
| EB6.75.139A | . Lagging  | 1       | —           |           |   |   |   |   | SB6/52 |
| EB6.75.141A | . Lagging  | 1       | —           |           |   |   |   |   | SB6/53 |
| EB6.75.143A | . Lagging  | 1       | —           |           |   |   |   |   | SB6/54 |
| EA3.75.59   | . Pipe, from rubber joint at frame 15 to rubber joint at frame 16                      | 1       | L54         |           |   |   |   |   | SB6/55 |
| R SP91N     | . Attachments for Pipe, EA3.75.59 :-   | 2       | —           |           |   |   |   |   | SB6/56 |
| EB6.75.707A | . Clip   | 1       | —           |           |   |   |   |   | SB6/57 |
| EB6.75.709A | . Lagging  | 1       | —           |           |   |   |   |   | SB6/58 |
| EA3.75.61   | . Lagging  | 1       | L54         |           |   |   |   |   | SB6/59 |
| 32B1250460  | . PIPE, from rubber joint at frame 16 to rubber joint at elbow                         | 1       | L54         |           |   |   |   |   | SB6/60 |
| EB6.75.151  | . Attachments for Pipe, EA3.75.61 :-   | QR      | —           |           |   |   |   |   | SB6/61 |
| 32B1250460  | . Lagging, fibre glass blanket   | 1       | L56         |           |   |   |   |   | SB6/62 |
|             | . PIPE, assembly, from coupling forward of frame 16 to rear camera bay tee-piece       | 1       | L56         |           |   |   |   |   | SB6/61 |
|             | . Attachments for Pipe, EB6.75.151 :-  | QR      | —           |           |   |   |   |   | SB6/62 |
|             | . Lagging, fibre glass blanket   | QR      | —           |           |   |   |   |   | SB6/62 |

## SERVICES

## CABIN PRESSURE SYSTEM IN CENTRE FUSELAGE

| Part Number | Description  | No. Off | Mati. Spec. | Plate No. |   |
|-------------|--|---------|-------------|-----------|---|
|             |  |         |             |           | 1 |
| EB6.75.153  | . PIPE, assembly, transverse from special 4-way union to joint forward of frame 16 | 1       | L54         | SB6/63    |   |
|             | Attachments for Pipe, EB6.75.153 :-  |         |             |           |   |
| R SP91L     | . Clip   | 2       | -           | SB6/64    |   |
| EB6.75.167A | . Lagging  | 2       | -           | SB6/65    |   |
| EB6.75.169A | . Lagging  | 2       | -           | SB6/66    |   |
| EB6.75.175A | . Lagging  | 2       | -           | SB6/67    |   |
| EB6.75.177A | . Lagging  | 1       | -           | SB6/68    |   |
| EB6.75.813A | . Lagging  | 1       | -           | SB6/69    |   |
| 32B1250460  | . Lagging, fibre glass blanket   | QR      | -           | SB6/70    |   |
| EB6.75.503  | . PIPE, assembly, from port wing connection to special 4-way piece                 | 1       | L56         | SB6/71    |   |
|             | Attachments for Pipe, EB6.75.503 :-  |         |             |           |   |
| 32B1250460  | . Lagging, fibre glass blanket   | QR      | -           | SB6/72    |   |
| EB6.75.777  | . Lagging  | 1       | -           | SB6/73    |   |
| EB6.75.779  | . Lagging  | 1       | -           | SB6/74    |   |
| EB6.75.505  | . PIPE, assembly, from starboard wing connection to rear camera bay tee-piece      | 1       | L56         | SB6/75    |   |
|             | Attachments for Pipe, EB6.75.505 :-  |         |             |           |   |
| R SP91L     | . Clip   | 3       | -           | SB6/76    |   |
| R SP91J     | . Clip   | 1       | -           | SB6/77    |   |
| EB6.75.163A | . Lagging  | 1       | -           | SB6/78    |   |
| EB6.75.165A | . Lagging  | 1       | -           | SB6/79    |   |
| EB6.75.541A | . Lagging  | 1       | -           | SB6/80    |   |
| EB6.75.543A | . Lagging  | 1       | -           | SB6/81    |   |
| EB6.75.507  | . PIPE, elbow joint between port wing and fuselage                                 | 1       | L59         | SB6/82    |   |
|             | Attachments for Pipe, EB6.75.507 :-  |         |             |           |   |
| 32B1250460  | . Lagging, fibre glass blanket   | QR      | -           | SB6/83    |   |
| AGS904B     | . SLEEVE, outer (Pre-Mod 5257)   | 1       | -           | SB6/84    |   |
| AGS1533G    | . STRIP, bonding   | 1       | -           | SB6/85    |   |
| EB6.75.823  | . UNION, reducing, special, aft of frame 16 for rear camera bay air supply         | 1       | DTD683      | SB6/86    |   |
| AGS1121/4   | . UNION, tee, special  | 1       | -           | SB6/87    |   |
| AGS1105B    | . UNION, adaptor (Pre-Mod 5257)  | 1       | -           | SB6/88    |   |
| AGS1186B    | . WASHER, jointing (Pre-Mod 5257)  | 1       | -           | SB6/89    |   |

CABIN PRESSURE SYSTEM IN CENTRE FUSELAGE

| Part Number | Description<br>1 2 3 4 5 6 | No.<br>Off | Mati. Spec. | Plate No. |
|-------------|----------------------------|------------|-------------|-----------|
|             |                            |            |             |           |

## SERVICES

## STATIC PIPE RUN IN CABIN PRESSURE SYSTEM

| Part Number                          | Description  | No. Off | Mati. Spec. | Plate No. |
|--------------------------------------|--|---------|-------------|-----------|
|                                      |  |         |             |           |
| EG4.75.421                           | . CABIN PRESSURE, STATIC LINE, ASSEMBLY (MOD 4799)<br>Spares for:--                                  | -       | -           | SB3/1     |
| AS4525/5                             | . . CLIP, pipe<br>Attaching parts for AS4525/5:--  | 16      | -           | SB3/2     |
| A25/2C                               | . . Bolt, 2BA  | 1       | -           | SB3/3     |
| A25/3C                               | . . Bolt,  | 1       | -           | SB3/4     |
| AGS2001C1/66                         | . . Nut, 2BA   | 1       | -           | SB3/5     |
| 4104/8 <sup>1</sup> / <sub>4</sub> " | . . Screw (Cad. plated)  | 1       | -           | SB3/6     |
| SP13C                                | . . Washer   | 1       | -           | SB3/7     |
| SP16C                                | . . Washer   | 1       | -           | SB3/8     |
| R AGS838/13                          | . . NUT, union assembly  | 20      | -           | SB3/9     |
| R AGS838/12                          | . . Bush   | 20      | -           | SB3/9A    |
| EA3.80.1649                          | . . PIPE, drain tap  | 2       | L54         | SB3/10    |
| EB6.80.171                           | . . PIPE, from tee aft of frame A to coupling aft of frame 2   | 1       | L54         | SB3/11    |
| EB6.80.173                           | . . PIPE, from coupling aft of frame 2, to coupling aft of frame 4                                   | 1       | L54         | SB3/12    |
| EB6.80.3617                          | . . PIPE, from coupling aft of frame 4, to coupling aft of frame 6                                   | 1       | L54         | DB3/13    |
| EB6.80.3619                          | . . PIPE, from coupling aft of frame 6, to tee coupling at pressure bulkhead                         | 1       | L54         | DB3/14    |
| EG4.80.417                           | . . PIPE, from coupling at frame A, to port connection at side of fuselage                           | 1       | L54         | SB3/15    |
| EG4.80.409                           | . . PIPE, continuation, on frame A, from tee-piece starboard side to coupling                        | 1       | L54         | SB3/16    |
| EB6.80.5479                          | . . PIPE, from drain tap tee, to tee aft of frame A,   | 1       | L54         | SB3/17    |
| EB6.80.5481                          | . . PIPE, from nose tee-piece at frame A, to starboard connection at side of fuselage (Pre-Mod 5197) | 1       | L54         | SB3/18    |
| EG4.80.1503                          | . . PIPE, from nose tee-piece at frame A, to starboard connection at side of fuselage (Mod 5197)     | 1       | L54         | SB3/19    |
| EA3.80.1965                          | . . PIPE, static assembly  | 1       | -           | SB3/23    |
| R AGS838/3                           | . . UNION, elbow   | 2       | -           | SB3/20    |
| AGS838/1                             | . . UNION, straight  | 4       | -           | SB3/21    |
| AGS838/2                             | . . UNION, tee   | 3       | -           | SB3/22    |

SERVICES  
STATIC PIPE RUN IN CABIN PRESSURE SYSTEM

| Part Number | Description<br>1 2 3 4 5 6 | No.<br>Off | Matl. Spec. | Plate No. |
|-------------|----------------------------|------------|-------------|-----------|
|             |                            |            |             |           |

## SERVICES

## CABIN PRESSURE AND COLD AIR SYSTEM IN PORT WING

| Part Number                   | Description  | No. Off | Mtl. Spec.      | Plate No. |
|-------------------------------|--|---------|-----------------|-----------|
|                               |  |         |                 |           |
| EB6.75.825                    | CABIN PRESSURE AND COLD AIR SYSTEM IN PORT WING, ASSEMBLY<br>Spares for :-                                   | -       | -               |           |
| EB6.75.501<br>GODFREY<br>G43B | . ADAPTOR, oil vapour breather pipe (Pre-Mod 2316)   | 1       | -               | SB7/1     |
| or<br>EB6.75.1557             | . CLAMP, half  | 16      | -               |           |
| EB6.75.1557                   | . CLAMP, assembly (Replacement spare)<br>Attaching parts for 50002 or EB6.75.1557 :-                         | 8       | -               | SB7/2     |
| A25/15E                       | . Bolt, 1/4" BSF   | 2       | -               | SB7/3     |
| AGS2001E2/66                  | . Nut, stiff, 1/4" BSF   | 2       | -               | SB7/4     |
| SP13E                         | . Washer   | 2       | -               | SB7/5     |
| GODFREY<br>G45B               | . CLAMP, pipe jointing (segmental) at Marston cooler   | 4       | -               | SB7/6     |
| AS4525/4                      | . CLIP, pipe, single   | 1       | L72             | SB7/7     |
| EB6.75.833                    | . COLLECTOR, WASTE OIL, ASSEMBLY (MOD 2316)<br>Consisting of :-  | 1       | -               | SB7/8     |
| EB6.75.849                    | . BRACKET, mounting<br>Attaching parts for EB6.75.849 :-   | 1       | -               | SB7/9     |
| A25/2C                        | . Bolt, 2BA  | 2       | -               | SB7/10    |
| AGS2002C1/66                  | . Nut, 2BA   | 2       | -               | SB7/11    |
| SP15C                         | . Washer   | 2       | -               | SB7/12    |
| EB6.75.843                    | . COLLECTOR, top, assembly   | 1       | -               | SB7/13    |
| EB6.75.847                    | . CONTAINER, waste oil   | 1       | DTD339          | SB7/14    |
| EB6.75.845                    | . WIRE, retaining, assembly<br>Attaching parts for EB6.75.833 :-   | 1       | -               | SB7/15    |
| AGS1148B                      | . Nut, 1/4" BSP  | 2       | -               | SB7/16    |
| AGS1149/2                     | . Washer, plate  | 1       | -               | SB7/17    |
| AGS1111B                      | . CONE, union body, flanged bulkhead (Mod 2316)  | 1       | -               | SB7/18    |
| EB6.75.461                    | . CONNECTION, duct, tapered, from cold air unit junction<br>pipe<br>Attachments for connection EB6.75.461 :- | 1       | L59             | SB7/19    |
| EB6.75.523                    | . Lagging  | 2       | -               | SB7/20    |
| EA3.75.145                    | . CONNECTION, rubber   | 2       | Glass<br>Fabric | SB7/21    |
| EB6.75.315                    | . DUCTS AND AIR COOLER, ASSEMBLY<br>Spares for :-  | -       | -               | SB8/1     |
| EB6.75.323                    | . DUCT, air inlet, assembly (Pre-Mod 4793)   | 1       | -               | SB8/2     |
| EB6.75.1553                   | . DUCT, air inlet, assembly (Mod 4793)<br>Attaching parts for EB6.75.323 or EB6.75.1553 :-                   | 1       | -               |           |
| EEAS1/1C                      | . Screw, 2BA   | 17      | S96             | SB8/3     |
| EB6.75.735                    | . DUCT, air outlet, assembly<br>Attaching parts for EB6.75.735 :-  | 1       | -               | SB8/4     |
| EEAS1/1C                      | . Screw, 2BA   | 2       | S96             | SB8/5     |
| EB6.75.341                    | . FAIRING, outlet (Supplied undrilled)   | 1       | -               | SB8/6     |

## SERVICES

## CABIN PRESSURE AND COLD AIR SYSTEM IN PORT WING

| Part Number     | 1 2 3 4 5 6 | Description  | No. Off | Mati. Spec. | Plate No. |
|-----------------|-------------|--|---------|-------------|-----------|
|                 |             |  |         |             |           |
| EB6.75.317      |             | INSTALLATION OF MARSTON COOLER (SECONDARY)   | -       | -           | SB8/7     |
| EB6.75.343      |             | Spares for :-<br>BRACKET, bottom support, assembly   | 2       | -           | SB8/8     |
| A25/16C         |             | Attaching parts for EB6.75.343 :-<br>Bolt, 2BA   | 2       | -           | SB8/9     |
| AGS2001C1/66    |             | Nut, stiff, 2BA  | 2       | -           | SB8/10    |
| AS2809/4/139    |             | Piece, distance  | 2       | L62         | SB8/11    |
| SP15C           |             | Washer   | 2       | -           | SB8/12    |
| EB6.75.345      |             | BRACKET, top, attachment, assembly   | 1       | -           | SB8/13    |
| A25/16C         |             | Attaching parts for EB6.75.345 :-<br>Bolt, 2BA   | 3       | -           | SB8/14    |
| AGS2001C1/66    |             | Nut, stiff, 2BA  | 3       | -           | SB8/15    |
| AS2809/4/139    |             | Piece, distance  | 3       | L62         | SB8/16    |
| SP15C           |             | Washer   | 2       | -           | SB8/17    |
| MARSTON D106/6A |             | COOLER, air (EB6.75.321)   | 1       | -           | SB8/18    |
| A25/5E          |             | Attaching parts for D106/6A :-<br>Bolt, 1/4" BSF   | 1       | -           | SB8/19    |
| EB6.75.351      |             | Washer, felt on support brackets   | 2       | -           | SB8/20    |
| SP15E           |             | Washer   | 1       | -           | SB8/21    |
| EB6.75.335      |             | STRAP, JOINT, FOR ATTACHMENT OF AIR DUCTS TO MARSTON COOLER                                  | 2       | -           | SB8/22    |
| A25/8C          |             | Consisting of :-<br>BOLT, 2BA  | 2       | -           | SB8/23    |
| AGS2001C1/66    |             | NUT, 2BA   | 2       | -           | SB8/24    |
| EB6.75.337      |             | STRAP, jointing  | 1       | -           | SB8/25    |
| EB6.75.339      |             | STRAP, clamping  | 1       | -           | SB8/26    |
| AGS1142B        |             | NIPPLE, adaptor  | 3       | -           | SB7/22    |
| AGS1142K        |             | NIPPLE, adaptor  | 2       | -           | SB7/23    |
| AGS1170K        |             | NIPPLE   | 3       | -           | SB7/24    |
| EA9.75.133      |             | PIPE, assembly, breather, oil vapour outlet (Pre-Mod 2316)                                   | 1       | L56         | †         |
| EB6.75.835      |             | PIPE, assembly, from coupling to waste oil collector adjacent to rib 1 (Mod 2316)            | 1       | L56         | SB7/25    |
| EB6.75.837      |             | PIPE, assembly, from cold air unit to coupling adjacent to rib 1 (Mod 2316)                  | 1       | L56         | SB7/26    |
| EA9.75.447      |             | PIPE, assembly, continuation, from non-return valve and mixing valve tee-piece through rib 2 | 1       | L56         | SB7/27    |
| EA9.75.455      |             | PIPE, assembly, intermediate, from cold air unit pipe to mixing valve pipe                   | 1       | T26         | SB7/28    |
| SP91L           |             | Attachments for EA9.75.455 :-<br>Clip  | 2       | -           | SB7/29    |
| EA9.75.457A     |             | Lagging  | 1       | -           | SB7/30    |
| EA9.75.459A     |             | Lagging  | 1       | -           | SB7/31    |
| EB6.75.509A     |             | Lagging  | 1       | -           | SB9/35    |
| EB6.75.511A     |             | Lagging  | 1       | -           | SB9/36    |
| EB6.75.457      |             | PIPE, assembly, continuation, from non-return valve and mixing valve tee-piece through rib 1 | 1       | L56         | SB7/32    |
| SP91L           |             | Attachments for Pipe, EB6.75.457 :-<br>Clip  | 2       | -           | SB7/33    |
| EB6.75.625A     |             | Lagging  | 1       | -           | SB7/34    |
| EB6.75.627A     |             | Lagging  | 1       | -           | EB7/35    |
| EA9.75.705A     |             | Lagging  | 1       | -           | SB7/36    |
| EA9.75.707A     |             | Lagging  | 1       | -           | SB7/37    |

## SERVICES

## CABIN PRESSURE AND COLD AIR SYSTEM IN PORT WING

| Part Number  | Description   | No. Off | Matl. Spec. | Plate No. |
|--------------|---|---------|-------------|-----------|
|              |   |         |             |           |
| EB6.75.459   | . PIPE, assembly, junction, from cold air unit Attachments for Pipe, EB6.75.459 :-  | 1       | L54         | SB7/38    |
| SP91L        | . Clip  | 2       | -           | SB7/39    |
| EB6.75.519A  | . Lagging   | 1       | -           | SB7/40    |
| EB6.75.521A  | . Lagging   | 1       | -           | SB7/41    |
| EB6.75.467   | . PIPE, assembly, from cold air unit compressor connection to rib 1   | 1       | L54         | SB7/42    |
| EB6.75.469   | . PIPE, assembly, from cold air unit turbine connection to rib 1  | 1       | L54         | SB7/43    |
| EB6.75.471   | . PIPE, assembly, from Marston cooler to connection at rib 1  | 1       | L54         | SB7/44    |
| EB6.75.475   | . PIPE, assembly, from non-return valve and mixing valve tee-piece to connection between ribs 2 and 3 Attachments for Pipe, EB6.75.475 :- | 1       | L54         | SB7/45    |
| SP91L        | . Clip  | 2       | -           | SB7/46    |
| EA9.75.451A  | . Lagging   | 1       | -           | SB7/47    |
| EA9.75.453A  | . Lagging   | 1       | -           | SB7/48    |
| EA9.75.783   | . PIPE, assembly, from cold air unit compressor connection, to pipe joint at rib 2 Attachments for Pipe, EA9.75.783 :-                    | 1       | L54         | SB7/49    |
| SP91L        | . Clip  | 2       | -           | SB7/50    |
| EA9.75.471A  | . Lagging   | 1       | -           | SB7/51    |
| EA9.75.473A  | . Lagging   | 1       | -           | SB7/52    |
| EB6.75.19    | . PIPE, RUN IN PORT WHEEL WELL BAY, ASSEMBLY Spares for :-  | -       | -           | SB9/1     |
| EB6.75.207   | . . ADAPTOR, bulkhead, mixing valve pipe connection Attaching parts for EB6.75.207 :-   | 1       | DTD683      | SB9/2     |
| A25/2C       | . . Bolt, 2BA   | 6       | -           | SB9/3     |
| AGS2001C1/66 | . . Nut, stiff, 2BA   | 6       | -           | SB9/4     |
| AGS1115/13   | . . Washer, plate   | 1       | -           | SB9/5     |
| AS3181/20B   | . . CLIP Attaching parts for AS3181/20B :-  | 4       | -           | SB9/6     |
| A25/3C       | . . Bolt, 2BA (as required)   | 2       | -           | SB9/7     |
| A25/8C       | . . Bolt, 2BA (as required)   | 1       | -           | SB9/8     |
| A25/16C      | . . Bolt, 2BA (as required)   | 1       | -           | SB9/9     |
| AGS2001C1    | . . Nut, 2BA  | 4       | -           | SB9/10    |
| AS2811/5/049 | . . Piece, distance (as required)   | 1       | -           | SB9/11    |
| AS2808/5/150 | . . Piece, distance (as required)   | 1       | -           | SB9/12    |
| SP13C        | . . Washer (as required)  | 1       | -           | SB9/13    |
| AGS1142J     | . . NIPPLE, adaptor   | 2       | -           | SB9/14    |
| AGS2120J     | . . NIPPLE  | 2       | -           | SB9/15    |
| EB6.75.201   | . . PIPE, assembly, from fuselage bulkhead adaptor to pipe joint in wheel well  | 1       | L56         | SB9/16    |
| EB6.75.203   | . . PIPE, assembly, between ribs A and E  | 1       | L56         | SB9/17    |
| EB6.75.205   | . . PIPE, assembly, from mixing valve bulkhead adaptor to pipe joint on rib E   | 1       | L56         | SB9/18    |
| EEAS20/1DR   | . . TAB, locking  | 2       | L72         | SB9/19    |
| EEAS66/1     | . RING, clamping (Pre-Mod 2316)   | 1       | L72         | SB7/53    |
| BELLS        |   |         |             |           |
| ASBESTOS     |   |         |             |           |
| AS5402       | . RING, sealing, type A, between pipe flanges   | 10      | -           | SB7/54    |
| EEAS20/1CR   | . TAB, locking  | 1       | -           | SB7/55    |
| EEAS20/2CR   | . TAB, locking  | 2       | -           | SB7/56    |

## CABIN PRESSURE AND COLD AIR SYSTEM IN PORT WING

| Part Number   | Description  | No. Off                | Matl. Spec.           | Plate No. |   |   |   |   |  |
|---|--|------------------------|-----------------------|-----------|---|---|---|---|--|
|   |  |                        |                       | 1         | 2 | 3 | 4 | 5 | 6  |
| EB6.75.187  | . UNIT, COLD AIR, INSTALLATION   | -                      | -                     |           |   |   |   |   | SB7/57   |
| EB6.75.199  | . . UNIT, COLD AIR ASSEMBLY<br>Spares for :-<br>Consisting of :-   | 1                      | -                     |           |   |   |   |   | SB7/58   |
| GODFREY<br>23421/HX<br>27UA4612829                                  | . . . DIPSTICK and filter, oil level<br>. . . UNIT, cold air, A.C.R.E.9, Mk. 10EX<br>Attaching parts for EB6.75.199 :- | 1<br>1                 | -<br>-                |           |   |   |   |   | SB7/59<br>SB7/60                               |
| A25/1C<br>SP55C<br>SP16C  | . . . Bolt, 2BA<br>. . . Washer, 2BA<br>. . . Washer   | 16<br>16<br>16         | -<br>-<br>-           |           |   |   |   |   | SB7/61<br>SB7/62<br>SB7/63                     |
| EA9.75.469  | . VALVE, CONSTANT FLOW, INSTALLATION<br>Spares for :-  | -                      | -                     |           |   |   |   |   | SB9/20   |
| EB6.75.487<br>28E9708192  | . . BRACKET, support at rib 2<br>. . CLIP, hose  | 1<br>2                 | -<br>-                |           |   |   |   |   | SB9/21<br>SB9/22                               |
| AGS1142K<br>EB6.75.481  | . . NIPPLE, adaptor<br>. . VALVE, CONSTANT FLOW, ASSEMBLY<br>Spares for :-   | 1<br>1                 | -<br>-                |           |   |   |   |   | SB9/23<br>SB9/24                               |
| EB6.75.579  | . . . ADAPTOR, special<br>Attaching parts for EB6.75.579 :-  | 1                      | OTD683                |           |   |   |   |   | SB9/25   |
| AGS1186H  | . . . Washer, jointing   | 1                      | -                     |           |   |   |   |   | SB9/26   |
| EB6.75.491  | . . . PIPE, assembly, flanged<br>Attaching parts for EB6.75.491 :-   | 1                      | -                     |           |   |   |   |   | SB9/27   |
| A25/2C  | . . . Bolt, 2BA  | 12                     | -                     |           |   |   |   |   | SB9/28   |
| SP91L<br>EB6.75.517A<br>EB6.75.629A<br>SP13C<br>NORMALAIR<br>497776 | . . . CLIP, hose<br>. . . Lagging<br>. . . Lagging<br>. . . Washer<br>. . . Washer, sealing                            | 2<br>1<br>1<br>12<br>1 | -<br>-<br>-<br>-<br>- |           |   |   |   |   | SB9/29<br>SB9/30<br>SB9/31<br>SB9/32<br>SB9/33 |
| NORMALAIR<br>502090   | . . . VALVE, constant flow   | 1                      | -                     |           |   |   |   |   | SB9/34   |
| EB6.75.727  | . VALVE, RELIEF AND PIPES, COLD AIR UNIT, IN PORT<br>WING, INSTALLATION<br>Spares for :-                               | -                      | -                     |           |   |   |   |   | SB9/37   |
| EB6.75.733  | . . BRACKET, assembly, pipe support on cooler<br>Attaching parts for EB6.75.733 :-                                     | 1                      | -                     |           |   |   |   |   | SB9/38   |
| A25/6C<br>A25/1E<br>AGS2001C1/66<br>SP13E<br>SP13C                  | . . . Bolt, 2BA<br>. . . Bolt, 1/4" BSF<br>. . . Nut, stiff, 2BA<br>. . . Washer<br>. . . Washer                       | 4<br>2<br>4<br>2<br>4  | -<br>-<br>-<br>-<br>- |           |   |   |   |   | SB9/39<br>SB9/40<br>SB9/41<br>SB9/42<br>SB9/43 |
| GODFREY<br>G43B<br>or<br>EB6.75.1557                                | . . CLAMP, half<br>. . CLAMP, assembly (Replacement spare)<br>Attaching parts for G43B or EB6.75.1557 :-               | 6<br>3                 | -<br>-                |           |   |   |   |   | SB9/44   |
| A25/15E<br>AGS2001E1/66<br>SP13E                                    | . . . Bolt, 1/4" BSF<br>. . . Nut, stiff, 1/4" BSF<br>. . . Washer   | 2<br>2<br>2            | -<br>-<br>-           |           |   |   |   |   | SB9/45<br>SB9/46<br>SB9/47                     |

## CABIN PRESSURE AND COLD AIR SYSTEM IN PORT WING

| Part Number  | Description |  |   |   |   |   | No. Off | Mati. Spec.       | Plate No. |
|--|-------------|--|---|---|---|---|---------|-------------------|-----------|
|  | 1           | 2  | 3 | 4 | 5 | 6 |         |                   |           |
| EB6.75.731   | . .         | COVER, valve, assembly   |   |   |   |   | 1       | -                 | SB9/48    |
| SP91L  | . .         | Attaching parts for EB6.75.731 :-<br>Clip  |   |   |   |   | 2       | -                 | SB9/49    |
| EB6.75.737   | . .         | PIPE, assembly, bend, relief valve pipe joint  |   |   |   |   | 1       | L59               | SB9/50    |
| EB6.75.739   | . .         | PIPE, assembly, from relief valve pipe joint to inlet tee-piece  |   |   |   |   | 1       | L54               | SB9/51    |
| EB6.75.741   | . .         | PIPE, assembly, inlet tee-piece from pipe joint at rib 1 to Marston cooler   |   |   |   |   | 1       | L54               | SB9/52    |
| BELLS<br>ASBESTOS<br>AS5402<br>EB6.75.729          | . .         | RING, sealing, between pipe flanges  |   |   |   |   | 3       | -                 | SB9/53    |
|  | . .         | VALVE, relief  |   |   |   |   | 1       | -                 | SB9/54    |
| EB6.75.827   | . .         | VALVES AND PIPING, INSTALLATION<br>Spares for :-   |   |   |   |   | -       | -                 | SB10/1    |
| EB6.75.257<br>GODFREY<br>G43B<br>or<br>EB6.75.1557 | . .         | BRACKET, support for non-return valve  |   |   |   |   | 1       | -                 | SB10/2    |
|  | . .         | CLAMP, half  |   |   |   |   | 10      | -                 |           |
| A25/15E<br>AGS2001E1/66<br>SP13E                   | . .         | CLAMP, assembly (Replacement spare)<br>Attaching parts for G43B or EB6.75.1557 :-<br>Bolt, 1/4" BSF                      |   |   |   |   | 5       | -                 | SB10/3    |
|  | . .         | Nut, stiff, 1/4" BSF   |   |   |   |   | 2       | -                 | SB10/4    |
|  | . .         | Washer   |   |   |   |   | 2       | -                 | SB10/5    |
| GODFREY<br>50270<br>EB6.75.261                     | . .         | CLAMP, segmental   |   |   |   |   | 3       | -                 | SB10/7    |
|  | . .         | CONNECTOR, flanged, non-return valve end fitting<br>Attaching parts for EB6.75.261 :-                                    |   |   |   |   | 1       | OTD683            | SB10/8    |
| A25/1C<br>A25/3C<br>AGS2001C1/66<br>SP13C          | . .         | Bolt, 2BA  |   |   |   |   | 3       | -                 | SB10/9    |
|  | . .         | Bolt, 2BA  |   |   |   |   | 3       | -                 | SB10/10   |
|  | . .         | Nut, stiff, 2BA  |   |   |   |   | 3       | -                 | SB10/11   |
|  | . .         | Washer   |   |   |   |   | 6       | -                 | SB10/12   |
| EB6.75.255   | . .         | ELBOW, from engine connection to non-return valve<br>Attachments for Elbow, EB6.75.255 :-                                |   |   |   |   | 1       | -                 | SB10/13   |
| A25/1C   | . .         | Bolt, 2BA  |   |   |   |   | 3       | -                 | SB10/14   |
| A25/2C   | . .         | Bolt, 2BA  |   |   |   |   | 6       | -                 | SB10/15   |
| A25/3C   | . .         | Bolt, 2BA  |   |   |   |   | 3       | -                 | SB10/16   |
| SP91L  | . .         | Clip   |   |   |   |   | 2       | -                 | SB16/17   |
| EB6.75.447A  | . .         | Lagging  |   |   |   |   | 1       | -                 | SB10/18   |
| EB6.75.449A  | . .         | Lagging  |   |   |   |   | 1       | -                 | SB10/19   |
| AGS2001C1/66<br>SP13C                              | . .         | Nut, stiff, 2BA  |   |   |   |   | 9       | -                 | SB10/20   |
|  | . .         | Washer   |   |   |   |   | 12      | -                 | SB10/21   |
| EB7.50.25<br>EB6.75.669                            | . .         | FITTING, end, for pipe connection to hot air valve   |   |   |   |   | 1       | DTD683            | SB10/22   |
|  | . .         | GASKET, non-return valve joint   |   |   |   |   | 2       | Aero<br>Permanite | SB10/23   |
| EB6.75.675   | . .         | GASKET, hot air valve joint  |   |   |   |   | 3       | Aero<br>Permanite | SB10/24   |
| EB6.75.231   | . .         | PIPE, assembly, from non-return valve on inboard engine rib to tee-piece at rib 3<br>Attachments for Pipe, EB6.75.231 :- |   |   |   |   | 1       | T26               | SB10/25   |
| SP91L  | . .         | Clip   |   |   |   |   | 2       | -                 | SB10/26   |
| EB6.75.275A  | . .         | Lagging  |   |   |   |   | 1       | -                 | SB10/27   |
| EB6.75.277A  | . .         | Lagging  |   |   |   |   | 1       | -                 | SB10/28   |

## CABIN PRESSURE AND COLD AIR SYSTEM IN PORT WING

| Part Number   | Description  | No. Off | Mati. Spec. | Plate No. |
|---------------|--|---------|-------------|-----------|
|               |  |         |             |           |
| EB6.75.233    | . . . PIPE, assembly, from mixing valve to constant flow valve       | 1       | T26         | SB10/29   |
| SP91L         | . . . Attachments for Pipe, EB6.75.233 :-                            | 2       | -           | SB10/30   |
| EB6.75.279A   | . . . Clip   | 1       | -           | SB10/31   |
| EB6.75.281A   | . . . Lagging  | 1       | -           | SB10/32   |
| EB6.75.237    | . . . PIPE, assembly, from mixing valve to tee-piece at rib 3        | 1       | T26         | SB10/33   |
| SP91L         | . . . Attachments for Pipe, EB6.75.237 :-                            | 3       | -           | SB10/34   |
| EB6.75.287A   | . . . Clip   | 1       | -           | SB10/35   |
| EB6.75.289A   | . . . Lagging  | 1       | -           | SB10/36   |
| EB6.75.239    | . . . PIPE, assembly, from mixing valve to wheel well bay connection | 1       | T26         | SB10/37   |
| SP91L         | . . . Attachments for Pipe, EB6.75.239 :-                            | 4       | -           | SB10/38   |
| EB6.75.295A   | . . . Clip   | 1       | -           | SB10/39   |
| EB6.75.297A   | . . . Lagging  | 1       | -           | SB10/40   |
| EB6.75.631A   | . . . Lagging  | 1       | -           | SB10/41   |
| EB6.75.633A   | . . . Lagging  | 1       | -           | SB10/42   |
| EA9.75.461    | . . . PIPE, assembly, from mixing valve to connection at rib 3       | 1       | T28         | SB10/43   |
| SP91L         | . . . Attachments for Pipe, EA9.75.461 :-                            | 2       | -           | SB10/44   |
| EA9.75.463A   | . . . Clip   | 1       | -           | SB10/45   |
| EA9.75.465A   | . . . Lagging  | 1       | -           | SB10/46   |
| BELLS         |  |         |             |           |
| ASBESTOS      |  |         |             |           |
| AS5402        | . . . RING, sealing, type 'A', between pipe flanges                  | 8       | -           | SB10/47   |
| EB6.75.259    | . . . TEE-PIECE, mixing valve and hot air valve at rib 3             | 1       | -           | SB10/48   |
| A25/2C        | . . . Attaching parts for EB6.75.259 :-                              | 3       | -           | SB10/49   |
| AGS2001C1/66  | . . . Bolt   | 3       | -           | SB10/50   |
| SP13C         | . . . Nut  | 3       | -           | SB10/51   |
| EB7.50.31     | . . . VALVE, HOT AIR, ASSEMBLY                                       | 1       | -           | SB10/52   |
| E.E. CO. LTD. | . . . Consisting of :-   |         |             |           |
| BRADFORD      | . . . ACTUATOR   | 1       | -           | SB10/53   |
| TEDDINGTON    | . . . VALVE  | 1       | -           | SB10/54   |
| FKHA16        | . . . Attachments for Valve, EB7.50.31 :-                            | 1       | -           | SB10/55   |
| EB6.75.443A   | . . . Lagging  | 1       | -           | SB10/56   |
| EB6.75.445A   | . . . Lagging  | 1       | -           | SB10/57   |
| AGS2001E1/66  | . . . Nut, stiff, 1/4" BSF   | 8       | -           | SB10/58   |
| SP13E         | . . . Washer   | 8       | -           | SB10/58   |
| NORMALAIR     |  |         |             |           |
| 501670        | . . . VALVE, non-return  | 1       | -           | SB10/59   |
| EB6.75.243    | . . . VALVE, 2-WAY MIXING, INSTALLATION                              | -       | -           | SB10/60   |
| EB6.75.245    | . . . Spares for :-  | 1       | L72         | SB10/61   |
| EB6.75.246    | . . . BRACKET, valve support, outboard                               | 1       | L72         | SB10/62   |
| EB6.75.247    | . . . BRACKET, Desynn transmitter mounting                           | 1       | L72         | SB10/63   |

## CABIN PRESSURE AND COLD AIR SYSTEM IN STARBOARD WING

| Part Number       | Description  | No. Off | Mati. Spec. | Plate No. |   |
|-------------------|--|---------|-------------|-----------|---|
|                   |  |         |             |           | 1 |
| EB6.75.781        | CABIN PRESSURE AND COLD AIR SYSTEM IN STARBOARD WING, ASSEMBLY | -       | -           |           |   |
|                   | Spares for :-  |         |             |           |   |
| EB6.75.258        | . BRACKET, support, non-return valve                           | 1       | L72         | SB11/1    |   |
| EB6.75.789        | . BRACKET  | 1       | -           | SB11/2    |   |
| GODFREY<br>G43B   | . CLAMP, half  | 2       | -           | SB11/3    |   |
| or<br>EB6.75.1557 | . CLAMP, assembly (Replacement spare)                          | 1       | -           |           |   |
|                   | Attaching parts for G43B or EB6.75.1557 :-                     |         |             |           |   |
| A25/15E           | . Bolt, 1/4" BSF   | 2       | -           | SB11/4    |   |
| AGS2001E1/66      | . Nut, stiff, 1/4" BSF   | 2       | -           | SB11/5    |   |
| SP13E             | . Washer   | 2       | -           | SB11/6    |   |
| GODFREY<br>G45B   | . CLAMP, pipe, jointing (segmental) at Marston cooler          | 2       | -           | SB11/7    |   |
| EA2.75.37         | . CLIP, pipe, at rib 3   | 1       | L72         | SB11/8    |   |
| EB6.75.791        | . CLIP, pipe, at rib 2   | 1       | L72         | SB11/9    |   |
|                   | Attaching parts for EA2.75.37 or EB6.75.791 :-                 |         |             |           |   |
| A25/1C            | . Bolt, 2BA  | 2       | -           | SB11/10   |   |
| AGS2001C1/66      | . Nut, 2BA   | 2       | -           | SB11/11   |   |
| SP13C             | . Washer   | 2       | -           | SB11/12   |   |
| EB6.75.261        | . CONNECTOR, flanged, non-return valve end fitting             | 1       | DTD5044     | SB11/13   |   |
|                   | Attaching parts for EB6.75.261 :-                              |         |             |           |   |
| A25/1C            | . Bolt, 2BA  | 3       | -           | SB11/14   |   |
| A25/4C            | . Bolt, 2BA  | 3       | -           | SB11/15   |   |
| AGS2001C1/66      | . Nut, 2BA   | 3       | -           | SB11/16   |   |
| SP13C             | . Washer   | 3       | -           | SB11/17   |   |
| SP47C             | . Washer   | 3       | -           | SB11/18   |   |
| EB6.75.316        | . DUCTS AND AIR COOLER, ASSEMBLY                               | -       | -           | SB11/19   |   |
|                   | Spares for :-  |         |             |           |   |
| EB6.75.324        | . . DUCT, air inlet, assembly (Pre-Mod 4793)                   | 1       | -           | SB11/20   |   |
| EB6.75.1554       | . . DUCT, air inlet, assembly (Mod 4793)                       | 1       | -           |           |   |
|                   | Attaching parts for EB6.75.324 or EB6.75.1554 :-               |         |             |           |   |
| EEAS1/1C          | . . Screw, 2BA   | 17      | S96         | SB11/21   |   |
| EB6.75.329        | . . DUCT, air outlet, assembly                                 | 1       | -           | SB11/22   |   |
|                   | Attaching parts for EB6.75.329 :-                              |         |             |           |   |
| EEAS1/1C          | . . Screw, 2BA   | 2       | S96         | SB11/23   |   |
| EB6.75.342        | . . FAIRING (Supplied undrilled)                               | 1       | -           | SB11/24   |   |
| EB6.75.318        | . . INSTALLATION OF MARSTON COOLER (PRIMARY)                   | -       | -           | SB11/25   |   |
|                   | Spares for :-  |         |             |           |   |
| EB6.75.344        | . . . BRACKET, bottom support, assembly                        | 2       | -           | SB11/26   |   |
|                   | Attaching parts for EB6.75.344 :-                              |         |             |           |   |
| A25/16C           | . . . Bolt, 2BA  | 2       | -           | SB11/27   |   |
| AGS2001C1/66      | . . . Nut, stiff, 2BA  | 2       | -           | SB11/28   |   |
| AS2809/4/139      | . . . Piece, distance  | 2       | L62         | SB11/29   |   |
| SP15C             | . . . Washer   | 2       | -           | SB11/30   |   |
| EB6.75.346        | . . . BRACKET, top, attachment, assembly                       | 1       | -           | SB11/31   |   |
|                   | Attaching parts for EB6.75.346 :-                              |         |             |           |   |
| A25/16C           | . . . Bolt, 2BA  | 3       | -           | SB11/32   |   |
| AGS2001C1/66      | . . . Nut, stiff, 2BA  | 3       | -           | SB11/33   |   |
| AS2809/4/139      | . . . Piece, distance  | 3       | L62         | SB11/34   |   |
| SP15C             | . . . Washer   | 3       | -           | SB11/35   |   |

## CABIN PRESSURE AND COLD AIR SYSTEM IN STARBOARD WING

| Part Number        | Description   | No. Off | Mati. Spec.      | Plate No. |   |   |   |   |         |
|--------------------|---|---------|------------------|-----------|---|---|---|---|---------|
|                    |   |         |                  | 1         | 2 | 3 | 4 | 5 | 6       |
| MARSTON<br>D106/8A | . . . COOLER, air (EB6.75.319)<br>Attaching parts for D106/8A:--  | 1       | -                |           |   |   |   |   | SB11/36 |
| A25/5E             | . . . Bolt, 1/4" BSF  | 1       | -                |           |   |   |   |   | SB11/37 |
| EB6.75.351         | . . . Washer, felt, on support brackets   | 2       | DTD590           |           |   |   |   |   | SB11/38 |
| SP15E              | . . . Washer  | 1       | -                |           |   |   |   |   | SB11/39 |
| EB6.75.335         | . . STRAP, JOINT, FOR ATTACHMENT OF AIR DUCTS<br>TO MARSTON COOLER<br>Consisting of:--                                    | 2       | -                |           |   |   |   |   | SB11/40 |
| EB6.75.337         | . . . STRAP, joint  | 1       | -                |           |   |   |   |   | SB11/41 |
| EB6.75.339         | . . . STRAP, clamping<br>Attaching parts for EB6.75.339 and EB6.75.337:--   | 1       | -                |           |   |   |   |   | SB11/42 |
| A25/8C             | . . . Bolt, 2BA   | 2       | -                |           |   |   |   |   | SB11/43 |
| AGS2001C1/66       | . . . Nut, stiff, 2BA   | 2       | -                |           |   |   |   |   | SB11/44 |
| EB6.75.255         | . ELBOW, from engine connection to non-return valve<br>Attachments for Elbow, EB6.75.255:--                               | 1       | -                |           |   |   |   |   | SB11/45 |
| A25/1C             | . Bolt, 2BA   | 2       | -                |           |   |   |   |   | SB11/46 |
| A25/2C             | . Bolt, 2BA   | 7       | -                |           |   |   |   |   | SB11/47 |
| A25/4C             | . Bolt, 2BA   | 3       | -                |           |   |   |   |   | SB11/48 |
| SP91L              | . Clip  | 2       | -                |           |   |   |   |   | SB11/49 |
| EB6.75.447A        | . Lagging   | 1       | -                |           |   |   |   |   | SB11/50 |
| EB6.75.449A        | . Lagging   | 1       | -                |           |   |   |   |   | SB11/51 |
| AGS2001C1/66       | . Nut, stiff, 2BA   | 9       | -                |           |   |   |   |   | SB11/52 |
| SP13C              | . Washer  | 9       | -                |           |   |   |   |   | SB11/53 |
| SP47C              | . Washer  | 3       | -                |           |   |   |   |   | SB11/54 |
| EA2.75.345         | . FAIRLEAD, pipe support at rib 1<br>Attaching parts for EA2.75.345:--  | 2       | BS2572           |           |   |   |   |   | SB11/55 |
| A25/3C             | . Bolt, 2BA   | 2       | -                |           |   |   |   |   | SB11/56 |
| AGS2001C1/66       | . Nut, stiff, 2BA   | 2       | -                |           |   |   |   |   | SB11/57 |
| SP13C              | . Washer  | 2       | -                |           |   |   |   |   | SB11/58 |
| EB7.50.25          | . FITTING, end, for pipe connection to hot air valve  | 1       | DTD683           |           |   |   |   |   | SB11/59 |
| EB6.75.669         | . GASKET, non-return valve joint  | 2       | Aero             |           |   |   |   |   | SB11/60 |
| EB6.75.675         | . GASKET, hot air valve joint   | 2       | Permanite        |           |   |   |   |   | SB11/61 |
| AGS1142K           | . NIPPLE, adaptor   | 4       | -                |           |   |   |   |   | SB11/62 |
| EB6.75.403         | . PIPE, assembly, from Marston air cooler to engine<br>and fuselage pipe tee-piece<br>Attachments for pipe, EB6.75.403:-- | 1       | T26              |           |   |   |   |   | SB11/63 |
| SP91L              | . Clip  | 3       | -                |           |   |   |   |   | SB11/64 |
| EB6.75.427A        | . Lagging   | 1       | -                |           |   |   |   |   | SB11/65 |
| EB6.75.429A        | . Lagging   | 1       | -                |           |   |   |   |   | SB11/66 |
| EB6.75.405         | . PIPE, assembly, from wheel well bulkhead fitting to<br>Marston air cooler   | 1       | T26              |           |   |   |   |   | SB11/67 |
| EB6.75.785         | . PIPE, flexible, from connection between ribs 2 and 3<br>to pipe coupling between ribs 1 and 2<br>(Pre-Mod 5448)         | 1       | Metallic<br>Hose |           |   |   |   |   | SB11/68 |
| EB6.75.1565        | . PIPE, flexible (Mod 5448)<br>Attachments for pipe, EB6.75.785 or EB6.75.1565:--   | 1       | -                |           |   |   |   |   |         |
| SP91L              | . Clip  | 4       | -                |           |   |   |   |   | SB11/69 |
| SP91N              | . Clip  | 2       | -                |           |   |   |   |   | SB11/70 |
| EB6.75.803A        | . Lagging   | 1       | -                |           |   |   |   |   | SB11/71 |
| EB6.75.805A        | . Lagging   | 1       | -                |           |   |   |   |   | SB11/72 |
| EB6.75.807A        | . Lagging   | 1       | -                |           |   |   |   |   | SB11/73 |
| EB6.75.809A        | . Lagging   | 1       | -                |           |   |   |   |   | SB11/74 |



CABIN PRESSURE AND COLD AIR SYSTEM IN STARBOARD WING

| Part Number            | Description   | No. Off | Matl. Spec. | Plate No. |
|------------------------|---|---------|-------------|-----------|
|                        |   |         |             |           |
| TEDDINGTON<br>FKH/A/18 | . . VALVE<br>Attachments for Valve, EB7.50.31 :-        | 1       | -           | SB11/91   |
| EB6.75.443A            | . Lagging   | 1       | -           | SB11/92   |
| EB6.75.445A            | . Lagging   | 1       | -           | SB11/93   |
| AGS2001E1/66           | . Nut, stiff, 1/4" BSF                                  | 8       | -           | SB11/94   |
| SP13E                  | . Washer  | 8       | -           | SB11/95   |
| NORMALAIR<br>501670    | . VALVE, non-return<br>Attachments for Valve, 501670 :- | 1       | -           | SB11/96   |
| SP91L                  | . Clip  | 2       | -           | SB11/97   |
| EB6.75.439A            | . Lagging   | 1       | -           | SB11/98   |
| EB6.75.441A            | . Lagging   | 1       | -           | SB11/99   |

R

## CABIN PRESSURE SYSTEM

| Ref. No.    | Part No.     | Description<br>1 2 3 4 5 6  | No.<br>off | Matl. Spec.            | Cl. of<br>Equip<br>M.R.<br>L.M. | Plate<br>No. |
|-------------|--------------|---|------------|------------------------|---------------------------------|--------------|
|             |              |   |            |                        |                                 |              |
|             | EG4.75.17    | C.A.U. SYSTEM ACROSS BOMB BAY, AT FRAME 21,<br>INSTALLATION       | —          | —                      | —                               |              |
| 33834       | EB6.75.1347  | Spares for:—<br>. CLIP, pipe, special                             | 4          | L72                    | C                               | SB13/1       |
| 28D/9133011 | A25/2C       | Attaching parts for EB6.75.1347 and<br>. Bolt, 2BA                | 2          | —                      | C                               | SB13/2       |
| 28M/1012015 | AGS2001C1/66 | . Nut, 2BA  | 2          | —                      | C                               | SB13/3       |
| 28W/9419475 | SP15C        | . Washer  | 2          | —                      | C                               | SB13/4       |
| 5K/2231768  | AS4525/20    | . CLIP, handing<br>Attaching parts for AS4525/20:—                | 3          | —                      | C                               | SB13/5       |
| 28D/9133011 | A25/2C       | . Bolt, 2BA   | 1          | —                      | C                               | SB13/6       |
| 28M/1012015 | AGS2001C1/66 | . Nut, 2BA  | 1          | —                      | C                               | SB13/7       |
|             | EEAS237/7A   | . Washer, 'D'   | 1          | —                      | C                               | SB13/8       |
| 28W/9419475 | SP15C        | . Washer  | 1          | —                      | C                               | SB13/9       |
| 5K/1037444  | AS3360C4C    | . LEAD, bonding   | 3          | —                      | C                               | SB13/10      |
| 28F/4051887 | AGS1170J     | . NIPPLE  | 1          | —                      | C                               | SB13/11      |
| 28F/9486111 | AGS1142H     | . NIPPLE, adapter   | 1          | —                      | C                               | SB13/12      |
| 28F/9513420 | AGS1142J     | . NIPPLE, adapter   | 3          | —                      | C                               | SB13/13      |
| 15183       | EB6.75.219   | . PIPE, assembly, from port wing union to coupling on<br>frame 21 | 1          | L56                    | C                               | SB13/14      |
| 33367       | EB6.75.1009  | . PIPE, assembly, continuation across frame 21 to tee-piece       | 1          | T26                    | C                               | SB13/15      |
| 33368       | EB6.75.1011  | . PIPE, assembly, from tee-piece to starboard wing union          | 1          | L56                    | C                               | SB13/16      |
| 980         | EEAS20/1DR   | . TAB, locking  | 4          | L72                    | C                               | SB13/17      |
| 28F/9517916 | AGS1112J     | . UNION, bulkhead, flanged<br>Attaching parts for AGS1112J:—      | 2          | —                      | C                               | SB13/18      |
| 28D/9133012 | A25/3C       | . Bolt, 2BA   | 6          | —                      | C                               | SB13/19      |
| 28M/1012015 | AGS2001C1/66 | . Nut, 2BA  | 6          | —                      | C                               | SB13/20      |
| 28475       | EB6.75.597   | . Shim (if required)  | 1          | Laminated<br>Aluminium | —                               | SB13/21      |
| 28F/4051810 | AGS1115/12   | . Washer, plat <sup>n</sup>                                       | 1          | —                      | C                               | SB13/22      |
| 28F/4051879 | AGS1121/3    | . UNION, tee  | 1          | —                      | C                               | SB13/23      |



## COLD AIR SUPPLY TO PILOT

| Ref. No.    | Part No.   | Description   | No. off | Matl. Spec. | Cl. of Equip<br>M.R.<br>L.M. | Plate No. |
|-------------|------------|---|---------|-------------|------------------------------|-----------|
|             |            |   |         |             |                              |           |
|             | EA3.74.21  | COLD AIR SUPPLY TO PILOT, ASSEMBLY<br>Spares for:—  | —       | —           | —                            |           |
| 7240        | EA3.74.45  | . BRACKET, non-return valve mounting  | 1       | L72         | C                            | SB14/1    |
| 7725        | EEAS133    | . BRACKET   | 1       | —           | C                            | SB14/2    |
|             |            | Attaching parts for EEAS133:—   |         |             |                              |           |
| 28D/1212964 | A61/1B     | . Bolt, 4BA   | 1       | —           | C                            | SB14/3    |
| 28M/9129524 | A29BP      | . Nut, 4BA  | 1       | —           | C                            | SB14/4    |
| 28W/9416642 | SP47B      | . Washer  | 1       | —           | C                            | SB14/5    |
| 5K/1037287  | AS4525/3   | . CLIP, pipe, 3/16" o/d   | 5       | L16         | C                            | SB14/6    |
| 5K/2231767  | AS4525/16  | . CLIP, pipe, 1" o/d  | 6       | L16         | C                            | SB14/7    |
|             |            | Attaching parts for AS4525/3 and AS4525/16:—  |         |             |                              |           |
| 28D/1212964 | A61/1B     | . Bolt, 4BA   | 1       | —           | C                            | SB14/8    |
| 28M/9129524 | A29BP      | . Nut, 4BA  | 1       | —           | C                            | SB14/9    |
| 28W/9416642 | SP47B      | . Washer  | 1       | —           | C                            | SB14/10   |
| 8995        | EA3.74.47  | . CLIP, for non-return valve mounting<br>Attaching parts for EA3.74.47:—                                    | 2       | L54         | C/MR                         | SB14/11   |
| 28D/1013250 | A61/15C    | . Bolt, 2BA   | 2       | —           | C                            | SB14/12   |
| 28W/9419475 | SP15C      | . Washer  | 2       | —           | C                            | SB14/13   |
| 8990        | EA3.74.53  | . COUPLING, drain pipe outlet   | 1       | DTD423      | C/MR                         | SB14/14   |
| 8992        | EA3.74.63  | . HOSE, connection, between air pipe sections<br>(Make from 32C/376)<br>Attaching parts for EA3.74.63:—     | 5       | DTD625      | LM                           | SB14/15   |
| 28E/8211233 | SP144/028  | . Clip  | 2       | —           | C                            | SB14/16   |
| 8993        | EA3.74.67  | . HOSE, connection, from water trap to drain pipe<br>Attaching parts for EA3.74.67:—                        | 1       | DTD625      | LM                           | SB14/17   |
| 28E/8211228 | SP144/013  | . Clip  | 2       | —           | C                            | SB14/18   |
|             | THERMOTANK |   |         |             |                              |           |
| 5042        | K1259/43   | . LOUVRE, 'punkah', air, type DAR.2   | 1       | —           | B                            | SB14/19   |
| 12990       | EA2.74.33  | . PIPE, cold air, from non-return valve to hose connection on<br>frame 1                                    | 1       | T9          | C                            | SB14/20   |
| 5633        | EA3.74.111 | . PIPE, cold air, continuation from hose connection on frame<br>1 to hose connection between frames 1 and 2 | 1       | T9          | C                            | SB14/21   |
| 5634        | EA3.74.113 | . PIPE, cold air, from hose connection between frames 1<br>and 2 to louvre                                  | 1       | T9          | C                            | SB14/22   |
| 5635        | EA3.74.115 | . PIPE, assembly, drain   | 1       | T9          | C                            | SB14/23   |
| 8991        | EA3.74.51  | . RING, louvre mounting   | 1       | DTD36       | C/MR                         | SB14/24   |
| 3681        | EA3.74.49  | . SCOOP, cold air   | 1       | L59         | C                            | SB14/25   |
| 981         | EEAS20/2DR | . TAB, locking, for water drain pipe  | 1       | L72         | C                            | SB14/26   |
| 20814       | EA3.74.43  | . TRAP, water<br>Attaching parts for EA3.74.43:—  | 1       | —           | B                            | SB14/27   |
| 28M/1086175 | AGS2001A3  | . Nut, stiff, 6BA   | 10      | —           | C                            | SB14/28   |
| 28S/1200060 | A33A16     | . Screw, 6BA  | 10      | —           | C                            | SB14/29   |
| 28W/9419473 | SP15A      | . Washer  | 10      | —           | C                            | SB14/30   |
| 5638        | EA3.74.23  | . VALVE, NON-RETURN, ASSEMBLY<br>Consisting of:—  | 1       | —           | A                            | SB14/31   |
|             | EA3.74.39  | . ADAPTOR   | 2       | DTD683      | —                            | SB14/32   |
|             | EA3.74.41  | . BODY, non-return valve  | 1       | DTD683      | —                            | SB14/33   |
| 5639        | EA3.74.25  | . PLUNGER, VALVE SEAL, ASSEMBLY<br>Spares for:—   | 1       | —           | C                            | SB14/34   |
| 28D/1213253 | AS4565/1B  | . BOLT, rd. hd., 4BA  | 1       | —           | C                            | SB14/35   |
| 28M/1956039 | AGS2001B3  | . NUT, stiff, 4BA   | 1       | —           | C                            | SB14/36   |

SERVICES  
COLD AIR SUPPLY TO PILOT

| Ref. No. | Part No.  | Description                  | No.<br>off | Matl. Spec.        | Cl. of<br>Equip<br>M.R.<br>L.M. | Plate<br>No. |
|----------|-----------|------------------------------|------------|--------------------|---------------------------------|--------------|
|          |           |                              |            |                    |                                 |              |
| 5640     | EA3.74.29 | . . . SEAL                   | 1          | Hallprene<br>21    | C                               | SB14/37      |
| 5060     | EA3.74.27 | . . . WASHER, seal retaining | 1          | DTD683             | —                               | SB14/38      |
|          | EA3.74.35 | . . . SHIM, laminated        | 1          | Laminated<br>Alum. | C                               | SB14/39      |
| 5059     | EA3.74.37 | . . . SPRING, compression    | 1          | DTD215             | C                               | SB14/40      |
| 5043     | EA3.74.33 | . . . WASHER, sealing        | 1          | DTD378A            | C                               | SB14/41      |

## SERVICES

## AIR VENTILATED SUIT SYSTEM

| Part Number   | Description   | No. Off | Matl. Spec. | Plate No. |
|---------------|---|---------|-------------|-----------|
|               |   |         |             |           |
| EG4.75.425    | AIR VENTILATED SUIT SYSTEM (MOD 4799)   | -       | -           |           |
| EG4.75.405    | Spares for :-<br>SUIT, VENTILATED, FRONT FUSELAGE, INSTALLATION<br>(MOD 4799) | -       | -           | SB15/1    |
| EB6.75.877    | Spares for :-<br>BULKHEAD, PRESSURE PIPE CONNECTION,<br>ASSEMBLY              | -       | -           | SB15/2    |
| AGS1142H      | Spares for :-<br>NIPPLE, adaptor  | 2       | -           | SB15/3    |
| EEAS20/3DU    | TAB, locking  | 2       | -           | SB15/4    |
| AGS1112H      | UNION, body, flanged bulkhead   | 1       | -           | SB15/5    |
| A25/4C        | Attaching parts for AGS1112H :-<br>Bolt, 2BA                                  | 6       | -           | SB15/6    |
| AGS2001C1/66  | Nut, 2BA  | 6       | -           | SB15/7    |
| SP13C         | Washer  | 6       | -           | SB15/8    |
| AGS1115/10    | Washer, plate   | 1       | -           | SB15/9    |
| EA4.75.253    | Washer, sealing   | 1       | -           | SB15/10   |
| EB6.75.1041   | BULKHEAD, PRESSURE, 4-WAY PIECE<br>ASSEMBLY                                   | -       | -           | SB15/11   |
| EB6.75.1033   | Spares for :-<br>ADAPTOR, pilot's supply line                                 | 1       | L85         | SB15/12   |
| AGS904H       | Attaching parts for EB6.75.1033 :-<br>Sleeve, outer                           | 1       | -           | SB15/13   |
| EB6.75.1043   | CLIP, bridge, for 4-way union   | 2       | -           | SB15/14   |
| A25/16C       | Attaching parts for EB6.75.1043 :-<br>Bolt, 2BA                               | 2       | -           | SB15/16   |
| SP13C         | Washer  | 2       | -           | SB15/16   |
| EB6.75.1039   | PLATE, mounting, assembly   | 1       | L72         | SB15/17   |
| A25/1C        | Attaching parts for EB6.75.1039 :-<br>Bolt, 2BA                               | 4       | -           | SB15/18   |
| SP13C         | Washer  | 4       | -           | SB15/19   |
| AGS1126/3     | UNION, piece, 4-way   | 1       | -           | SB15/20   |
| EEAS.21/2ER   | WASHER, 'D'   | 1       | L72         | SB15/21   |
| AS3181/16C    | CLIP  | 1       | -           | SB15/22A  |
| A25/3C        | Attaching parts for AS3181/1C :-<br>Bolt                                      | 1       | -           | SB15/23A  |
| AGS2001C1/66  | Nut   | 1       | -           | SB15/24A  |
| SP15C         | Washer  | 1       | -           | SB15/25A  |
| EB6.75.879    | INSTALLATION AT FRAME 12  | -       | -           | SB15/22   |
| EB6.75.881    | Spares for :-<br>BODY, union  | 1       | -           | SB15/23   |
| A25/3C        | Attaching parts for EB6.75.881 :-<br>Bolt, 2BA                                | 6       | -           | SB15/24   |
| AGS20001C1/66 | Nut, 2BA  | 6       | -           | SB15/25   |
| SP13C         | Washer  | 6       | -           | SB15/26   |
| EB6.75.883    | Washer  | 1       | S510        | SB15/27   |
| AGS1142H      | NIPPLE, adaptor   | 2       | -           | SB15/28   |
| EEAS20/3DU    | TAB, locking  | 2       | -           | SB15/29   |
| AGS2120H      | NIPPLE  | 4       | -           | SB15/30   |
| AGS1142E      | NIPPLE, adaptor   | 4       | -           | SB15/31   |

R

R

R

R

## AIR VENTILATED SUIT SYSTEM

| Part Number                                    | Description  | No. Off     | Mati. Spec. | Plate No.          |
|--|--|-------------|-------------|--------------------|
|  |  |             |             |                    |
| AGS1142H<br>EB6.75.917                         | . . . NIPPLE, adaptor<br>. . . PIPE, INSTALLATION, FOR BOMB AIMER'S VENTILATED SUIT<br>Spares for :-   | 2<br>-      | -<br>-      | SB15/32<br>SB15/33 |
| AS3180/12E                                     | . . . CLIP<br>Attaching parts for AS3180/12E :-  | 1           | -           | SB15/34            |
| AGS2001E1/66<br>SP13E                          | . . . Nut<br>. . . Washer  | 1<br>1      | -<br>-      | SB15/35<br>SB15/36 |
| EB6.75.975                                     | . . . PIPE, assembly, flexible, for bomb aimer's suit connection   | 1           | -           | SB15/37            |
| MBEU/1664<br>or<br>O/MBEU/1748/C<br>EB6.75.919 | . . . PLATE, base, for pipe clip<br>. . . PLATE, base, for pipe clip<br>. . . PIPE, INSTALLATION, FOR PILOT'S AND NAVIGATOR'S VENTILATED SUIT<br>Spares for :- | 1<br>1<br>- | -<br>-      | SB15/38<br>SB15/39 |
| AS3180/12E                                     | . . . CLIP<br>Attaching parts for AS3180/12E :-  | 2           | -           | SB15/40            |
| AGS2001E1/66<br>SP13E                          | . . . Nut<br>. . . Washer  | 1<br>1      | -<br>-      | SB15/41<br>SB15/42 |
| EB6.75.975                                     | . . . PIPE, assembly, flexible, pilot's and navigator's suit connection (Mod 2685)   | 2           | -           | SB15/43            |
| EG4.75.303                                     | . . . PIPE, assembly, from 4-way piece on pressure bulkhead to pipe connection on pressure bulkhead (Mod 4799)   | 1           | L54         | SB15/44            |
| EG4.75.305                                     | . . . PIPE, assembly, continuation on pressure bulkhead to pipe connection on starboard side of pressure bulkhead (Mod 4799)                                   | 1           | L54         | SB15/45            |
| EB6.75.873                                     | . . . PIPE, assembly, from starboard side of pressure bulkhead to pressure bulkhead connection   | 1           | L54         | SB15/46            |
| SCD.79437/1                                    | . . . PIPE, assembly, from pressure bulkhead connection to coupling aft of frame 10 (SRIM.3533) (Mod 4799)   | 1           | L54         | SB15/47            |
| EB6.75.925                                     | . . . PIPE, assembly, continuation, between couplings, frames 10 and 12<br>Modify as required (SRIM.3533) (Mod 4799)   | 1           | L54         | SB15/48            |
| EB6.75.927                                     | . . . PIPE, assembly, from 4-way piece on pressure bulkhead to bomb aimer's valve  | 1           | L54         | SB15/49            |
| EB6.75.929                                     | . . . PIPE, assembly, from 4-way piece on pressure bulkhead, to navigator's valve  | 1           | L54         | SB15/50            |
| EB6.75.1037                                    | . . . PIPE, 'flexfytte', from adaptor on 4-way piece on pressure bulkhead, to pilot's valve  | 1           | -           | SB15/51            |
| AGS1105H<br>EB6.75.885                         | . . . UNION, adaptor (SRIM.3533) (Mod 4799)<br>. . . VALVES, BOMB AIMER AND NAVIGATOR, INSTALLATION<br>Spares for :-   | 1<br>-      | -<br>-      | SB15/52<br>SB15/53 |
| EB6.75.1091                                    | . . . PLATE, mounting, assembly<br>Attaching parts for EB6.75.1091 :-  | 1           | L72         | SB15/54            |
| A25/1C   | . . . Bolt, 2BA  | 5           | -           | SB15/55            |
| EB6.75.871                                     | . . . PACKING, for navigator's valve, 10 SWG   | 1           | L72         | SB15/56            |

## SERVICES

## AIR VENTILATED SUIT SYSTEM

| Part Number                   | 1 2 3 4 5 6 | Description  | No. Off | Matl. Spec. | Plate No. |
|-------------------------------|-------------|--|---------|-------------|-----------|
|                               |             |  |         |             |           |
| EC4.75.19                     | . . . .     | VALVE, COMPLETE, ASSEMBLY<br>Spares for :-   | 2       | -           | SB15/57   |
| DUNLOP<br>ACO23654            | . . . .     | SOCKET, quick release  | 1       | -           | SB15/58   |
| NORMALAIR<br>513390           | . . . .     | VALVE, control, manual   | 1       | -           | SB15/59   |
| R. TRIST & Co.<br>R.T.S.Q.S13 | . . . .     | WASHER, sealing, for quick release socket<br>Attaching parts for EC4.75.19 :-                | 1       | -           | SB15/60   |
| A25/2C                        | . . . .     | Bolt, 2BA, for bomb aimer's valve  | 2       | -           | SB15/61   |
| A25/3C                        | . . . .     | Bolt, 2BA, for navigator's valve   | 2       | -           | SB15/62   |
| EB6.75.867                    | . . .       | VALVE, PILOT'S CONTROL, INSTALLATION<br>Spares for :-  | -       | -           | SB15/63   |
| AS3180/13C                    | . . . .     | CLIP   | 3       | -           | SB15/64   |
| AS3181/14C                    | . . . .     | CLIP<br>Attaching parts for AS3180/13C and<br>AS3181/14C :-                                  | 1       | -           | SB15/65   |
| A25/1C                        | . . . .     | Bolt   | 1       | -           | SB15/66   |
| AGS2001C1/66                  | . . . .     | Nut  | 1       | -           | SB15/67   |
| SP13C                         | . . . .     | Washer   | 1       | -           | SB15/68   |
| EB6.75.1099                   | . . . .     | PIPE, taper, assembly, for connecting pipe 'flexflyte' to<br>control valve (3/4" x 5/8" o/d) | 1       | L54         | SB15/69   |
| AGS1142E                      | . . . .     | NIPPLE, adaptor  | 1       | -           | SB15/70   |
| EC4.75.19                     | . . . .     | VALVE, COMPLETE, ASSEMBLY<br>Spares for :-   | 1       | -           | SB15/71   |
| DUNLOP<br>ACO.23654           | . . . .     | SOCKET, quick release  | 1       | -           | SB15/72   |
| NORMALAIR<br>513390           | . . . .     | VALVE, control, manual   | 1       | -           | SB15/73   |
| R. TRIST & Co.<br>RT.SQ.S.13  | . . . .     | WASHER, sealing, for quick release socket<br>Attaching parts for EC4.75.19 :-                | 1       | -           | SB15/74   |
| A25/2C                        | . . . .     | Bolt, 2BA  | 2       | -           | SB15/75   |
| SP13C                         | . . . .     | Washer   | 2       | -           | SB15/76   |
| R EB6.75.933                  | . . .       | SUIT, VENTILATED, CENTRE FUSELAGE, INSTALLATION<br>Spares for :-                             | -       | -           | SB16A/1   |
| R EA3.75.643                  | . . .       | BRACKET, for pipe clips on frame 28  | 2       | -           | SB16A/2   |
| R EEAS136                     | . . .       | BRACKET  | 1       | -           | SB16A/3   |
| R AS3181/16B                  | . . .       | CLIP   | 3       | -           | SB16A/4   |
| R AS3181/18B                  | . . .       | CLIP   | 1       | -           | SB16A/5   |
| R AS3181/18C                  | . . .       | CLIP   | 3       | -           | SB16A/6   |
| R AS4525/12                   | . . .       | CLIP, bonding  | 2       | -           | SB16A/7   |

## SERVICES

## AIR VENTILATED SUIT SYSTEM

| Part Number           | Description  | No. Off | Mati. Spec. | Plate No. |   |   |   |   |          |
|-----------------------|--|---------|-------------|-----------|---|---|---|---|----------|
|                       |  |         |             | 1         | 2 | 3 | 4 | 5 | 6        |
| R AS4525/16           | . . . CLIP, bonding<br>Attaching parts for AS3181/16B, AS3181/18B,<br>AS3181/18C, AS4525/12 and AS4525/16 :- | 8       | -           |           |   |   |   |   | SB16A/8  |
| R A25/9B              | . . . Bolt (as required)   | 1       | -           |           |   |   |   |   | SB16A/9  |
| R A25/12B             | . . . Bolt (as required)   | 1       | -           |           |   |   |   |   | SB16A/10 |
| R A25/1C              | . . . Bolt (as required)   | 1       | -           |           |   |   |   |   | SB16A/11 |
| R A25/3C              | . . . Bolt (as required)   | 1       | -           |           |   |   |   |   | SB16A/12 |
| R A25/4C              | . . . Bolt (as required)   | 1       | -           |           |   |   |   |   | SB16A/13 |
| R A25/9C              | . . . Bolt (as required)   | 1       | -           |           |   |   |   |   | SB16A/14 |
| R A25/10C             | . . . Bolt (as required)   | 1       | -           |           |   |   |   |   | SB16A/15 |
| R AGS2002B1           | . . . Nut (as required)  | 1       | -           |           |   |   |   |   | SB16A/16 |
| R AGS2002C1           | . . . Nut (as required)  | 1       | -           |           |   |   |   |   | SB16A/17 |
| R AS2809/4/050        | . . . Tube, distance (as required)   | 1       | -           |           |   |   |   |   | SB16A/18 |
| R EEAS21/2ER          | . . . Washer, 'D' (as required)  | 1       | -           |           |   |   |   |   | SB16A/19 |
| R EEAS237/7A          | . . . Washer, 'D' (as required)  | 1       | -           |           |   |   |   |   | SB16A/20 |
| R SP13C               | . . . Washer (as required)   | 1       | -           |           |   |   |   |   | SB16A/21 |
| R EB6.75.903          | . . . CONNECTION, GROUND SUPPLY, VALVE, REDUCING<br>AND PRESSURE RELIEF VALVE, GROUP<br>Spares for :-        | -       | -           |           |   |   |   |   | SB16B/22 |
| R EB6.75.955          | . . . BLOCK, three way adaptor for pressure relief<br>valve<br>Attaching parts for EB6.75.955 :-             | 1       | L64         |           |   |   |   |   | SB16B/23 |
| R A25/20C             | . . . Bolt, 2BA  | 2       | -           |           |   |   |   |   | SB16B/24 |
| R SP13C               | . . . Washer   | 2       | -           |           |   |   |   |   | SB16B/25 |
| R AS4525/12           | . . . CLIP   | 3       | -           |           |   |   |   |   | SB16B/26 |
| R AS4525/16           | . . . CLIP   | 1       | -           |           |   |   |   |   | SB16B/27 |
| R A25/1C              | . . . Bolt (as required)   | 1       | -           |           |   |   |   |   | SB16B/28 |
| R A27/7C              | . . . Bolt (as required)   | 1       | -           |           |   |   |   |   | SB16B/30 |
| R AGS2001C1/66        | . . . Nut (as required)  | 1       | -           |           |   |   |   |   | SB16B/29 |
| R 8R x 1/4"           | . . . Screw (as required)  | 1       | -           |           |   |   |   |   | SB16B/31 |
| R AS2802/4/050        | . . . Tube, distance (as required)   | 1       | -           |           |   |   |   |   | SB16B/32 |
| R EEAS237/7A          | . . . Washer, 'D' (as required)  | 1       | -           |           |   |   |   |   | SB16B/33 |
| R SP13C               | . . . Washer (as required)   | 1       | -           |           |   |   |   |   | SB16B/34 |
| R NORMALAIR<br>512070 | . . . CONNECTION, charging break-away  | 1       | -           |           |   |   |   |   | SB16B/35 |
| R EB6.75.1429         | . . . FAIRLEAD, ASSEMBLY, FOR PRESSURE REDUCING<br>VALVE<br>Consisting of :-                                 | 1       | -           |           |   |   |   |   | SB16B/36 |
| EB6.75.951            | . . . FAIRLEAD, half (top)   | 1       | BS2572      |           |   |   |   |   |          |
| EB6.75.953            | . . . FAIRLEAD, half (bottom)  | 1       | BS2572      |           |   |   |   |   |          |
| R A25/25C             | . . . Bolt, 2BA  | 2       | -           |           |   |   |   |   | SB16B/37 |
| R AGS2001C1/66        | . . . Nut, stiff, 2BA  | 2       | -           |           |   |   |   |   | SB16B/38 |
| R SP13C               | . . . Washer   | 2       | -           |           |   |   |   |   | SB16B/39 |
| R AGS1170F            | . . . NIPPLE   | 2       | -           |           |   |   |   |   | SB16B/40 |
| R AGS1142F            | . . . NIPPLE, adaptor  | 2       | -           |           |   |   |   |   | SB16B/41 |
| R AGS1142H            | . . . NIPPLE, adaptor  | 9       | -           |           |   |   |   |   | SB16B/42 |

AP101B-0415-3A

## SERVICES

## AIR VENTILATED SUIT SYSTEM

| Part Number                   | Description   | No. Off | Matl. Spec. | Plate No. |
|-------------------------------|---|---------|-------------|-----------|
|                               |   |         |             |           |
| R EB6.75.939                  | . . . PIPE, assembly, from aft connection frame 12, to non-return valve   | 1       | L54         | SB16B/43  |
| R EB6.75.941                  | . . . PIPE, assembly, from non-return valve adjacent to frame 12 and stringer 31, to breakaway charging valve tee-union | 1       | L54         | SB16B/44  |
| R EB6.75.943                  | . . . PIPE, taper assembly, from break-away charging valve tee-union  | 1       | L54         | SB16B/45  |
| R EB6.75.945                  | . . . PIPE, assembly, from break-away charging valve tee-union, to non-return valve at longeron datum, frame 13         | 1       | L54         | SB16B/46  |
| R EB6.75.947                  | . . . PIPE, assembly, from non-return valve at longeron datum frame 13, to pressure relief valve mounting block         | 1       | L54         | SB16B/47  |
| R EB6.75.949                  | . . . PIPE, assembly, from pressure relief valve mounting block, to pressure reducing valve                             | 1       | L54         | SB16B/48  |
| R EB6.75.959                  | . . . PIPE, assembly, from pressure reducing valve to connection at frame 13, centre of fuselage                        | 1       | L54         | SB16B/49  |
| R EB6.75.961                  | . . . PIPE, assembly, from centre of fuselage frame 13 to connection on port side                                       | 1       | L54         | SB16B/50  |
| R EB6.75.963                  | . . . PIPE, assembly, from connection forward of frame 13 to connection aft of frame 13                                 | 1       | L54         | SB16B/51  |
| R EB6.75.1361                 | . . . PLATE, mounting assembly, for pressure relief valve mounting block  | 1       | L72         | SB16B/52  |
| R AGS904C                     | . . . SLEEVE, outer   | 1       | -           | SB16B/53  |
| R AGS1121/2                   | . . . UNION, tee  | 1       | -           | SB16B/54  |
| R HYMATIC PAS. 148-074        | . . . VALVE, reducing (to E.E.Spec. EA4.S1)   | 1       | -           | SB16B/55  |
| R HYMATIC RAV.158/002         | . . . VALVE, pressure relief (to E.E.Spec. EA4.S1)  | 1       | -           | SB16B/56  |
| R FLIGHT REFUELLING 9811125/H | . . . VALVE, non-return   | 2       | -           | SB16B/57  |
| R EB6.75.931                  | . . . CUT IN, SUIT VENTILATED, AT FRAME 12 GROUP<br>Spares for :-   | -       | -           |           |
| R EB6.75.1347                 | . . . CLIP, pipe, special<br>Attaching parts for EB6.75.1347 :-   | 4       | L72         |           |
| R A25/2C                      | . . . Bolt, 2BA   | 2       | -           |           |
| R AGS2001C1/86                | . . . Nut, stiff, 2BA   | 2       | -           |           |
| R SP15C                       | . . . Washer  | 2       | -           |           |
| R AS4525/20                   | . . . CLIP, pipe, bonding<br>Attaching parts for AS4525/20 :-   | 3       | -           |           |
| R A25/2C                      | . . . Bolt, 2BA   | 1       | -           |           |
| R AGS2001C1/66                | . . . Nut, stiff, 2BA   | 1       | -           |           |
| R EEAS237/7A                  | . . . Washer, 'D'   | 1       | L72         |           |
| R SP15C                       | . . . Washer  | 1       | -           |           |
| R AGS2120J                    | . . . NIPPLE  | 1       | -           |           |
| R AGS1142H                    | . . . NIPPLE, adaptor   | 1       | -           |           |
| R AGS1142J                    | . . . NIPPLE, adaptor   | 3       | -           |           |
| R EB6.75.219                  | . . . PIPE, assembly, from port wing connection to connection on frame 21   | 1       | L56         |           |
| R EB6.75.1009                 | . . . PIPE, assembly, continuation across frame 21 to tee joint   | 1       | T26         |           |
| R EB6.75.1011                 | . . . PIPE, assembly, from tee joint to starboard wing connection   | 1       | L56         |           |

## SERVICES

## AIR VENTILATED SUIT SYSTEM

| Part Number         | Description   | No. Off | Mati. Spec. | Plate No. |
|---------------------|---|---------|-------------|-----------|
|                     |   |         |             |           |
| R AGS1121/3         | . . . UNION, tee  | 1       | -           |           |
| R AGS1170/F         | . . . NIPPLE  | 2       | -           | SB16A/58  |
| R AGS2120/H         | . . . NIPPLE  | 8       | -           | SB16A/59  |
| R EB6.75.1003       | . . . PIPE, assembly, from connection aft of frame 13 to connection between frames 17 and 18 port side of fuselage                | 1       | L54         | SB16A/60  |
| R EB6.75.1005       | . . . PIPE, assembly, from connection between frames 17 and 18 to forward connection of water separator                           | 1       | L54         | SB16A/61  |
| R EB6.75.1007       | . . . PIPE, taper, assembly, aft connection of water separator  | 1       | -           | SB16A/62  |
| R EB6.75.1013       | . . . PIPE, assembly, from connection forward of frame 20 to connection between frames 22 and 23, port side of fuselage           | 1       | L54         | SB16A/63  |
| R EB6.75.1015       | . . . PIPE, assembly, from connection between frames 22 and 23, to connection between frames 24 and 25, port side of fuselage     | 1       | L54         | SB16A/64  |
| R EB6.75.1017       | . . . PIPE, assembly, from connection between frames 24 and 25 to connection between frames 27 and 28, port side of fuselage      | 1       | L54         | SB16A/65  |
| R EB6.75.1019       | . . . PIPE, assembly, from connection between frames 27 and 28 to connection, centre of fuselage between frames 28 and 29         | 1       | L54         | SB16A/66  |
| R EB6.75.1021       | . . . PIPE, assembly, continuation from centre fuselage connection to connection, starboard side of fuselage, frames 28 and 29    | 1       | L54         | SB16A/67  |
| R EB6.75.1023       | . . . PIPE, assembly, from connection between frames 28 and 29 to connection between frames 24 and 25, starboard side of fuselage | 1       | L54         | SB16A/68  |
| R EB6.75.1025       | . . . PIPE, assembly, from connection between frames 24 and 25 to connection between frames 21 and 22, starboard side of fuselage | 1       | L54         | SB16A/69  |
| R EB6.75.1027       | . . . PIPE, assembly, from connection between frames 21 and 22 to tee joint forward of frame 21, starboard side of fuselage       | 1       | L54         | SB16A/70  |
| R EB6.75.977        | . . . SEPARATOR, WATER, INSTALLATION<br>Spares for :-   | -       | -           | SB16B/71  |
| R EB6.75.979.       | . . . BRACKET, assembly, for water separator  | 1       | L72         | SB16B/72  |
| R EB6.75.995        | . . . CLIP, attachment for water separator<br>Attaching parts for EB6.75.995 :-   | 1       | -           | SB16B/73  |
| R A25/2C            | . . . Bolt, 2BA   | 2       | -           | SB16B/74  |
| R SP13C             | . . . Washer  | 2       | -           | SB16B/75  |
| R AGS1104/A         | . . . CONE, adaptor, for water vent pipe connection to separator  | 1       | -           | SB16B/76  |
| R EB6.75.993        | . . . CONNECTOR, water vent pipe to fuselage  | 1       | L85         | SB16B/77  |
| R AGS1142F          | . . . NIPPLE, adaptor   | 2       | -           | SB16B/78  |
| R EB6.75.997        | . . . PACKING   | 2       | -           | SB16B/79  |
| R EB6.75.999        | . . . PAD, felt, for clip attachment to water separator   | 1       | DTD590      | SB16B/80  |
| R EB6.75.991        | . . . PAD, stress, for clip attachment bolts  | 2       | L72         | SB16B/81  |
| R EB6.75.989        | . . . PIPE, assembly, water vent  | 1       | L54         | SB16B/82  |
| R GODFREY<br>119013 | . . . SEPARATOR, water WE.5, Mk. 4  | 1       | -           | SB16B/83  |
| R EEAS20/2DR        | . . . TAB, locking, for water vent pipe   | 1       | L72         | SB16B/84  |
| R AGS164E           | . . . WASHER, jointing, for water vent pipe adaptor   | 1       | Fibre       | SB16B/85  |

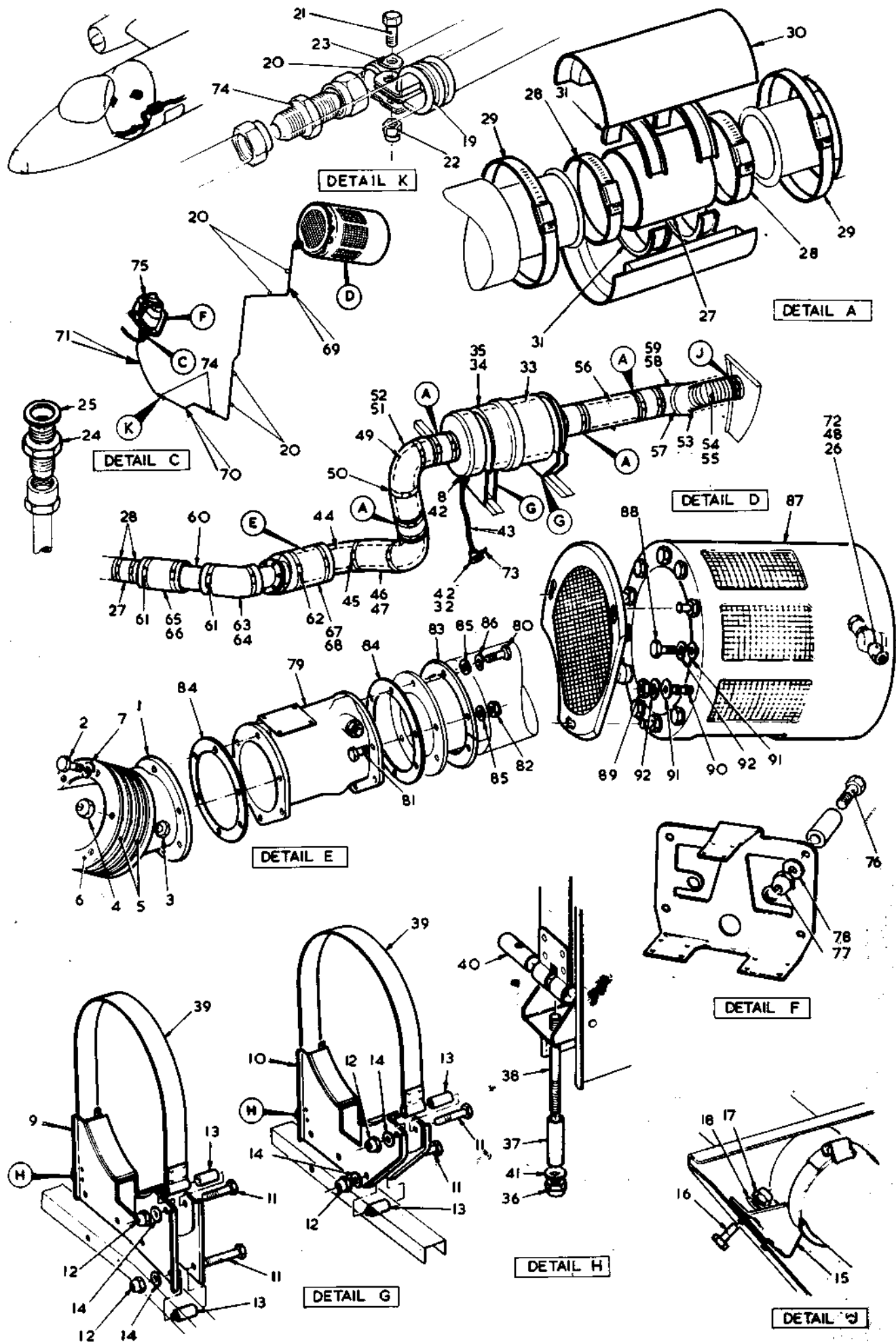


FIG. I. CABIN PRESSURE SYSTEM FRONT FUSELAGE

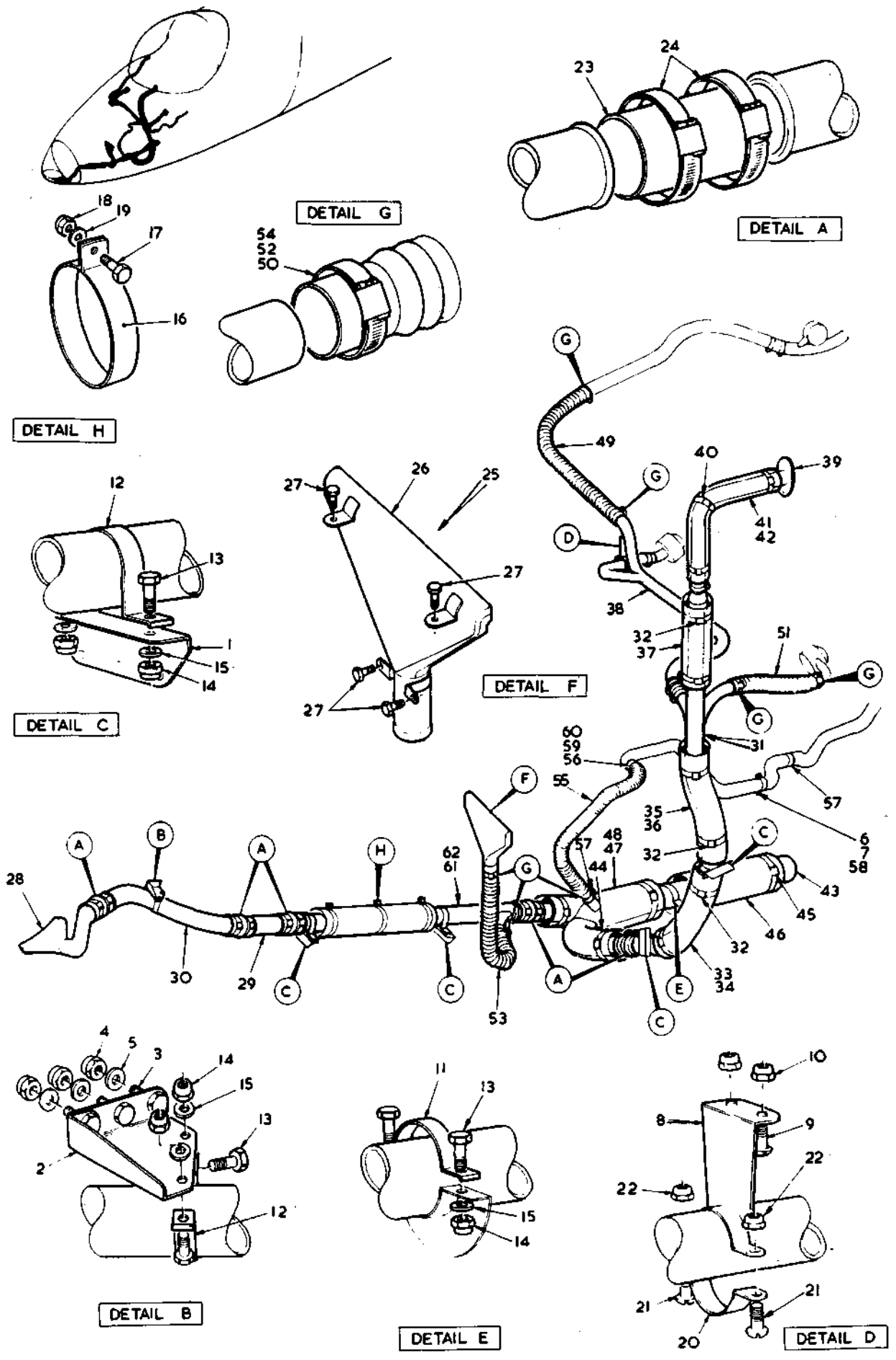


FIG. 2. CABIN PRESSURE SYSTEM IN FRONT FUSELAGE

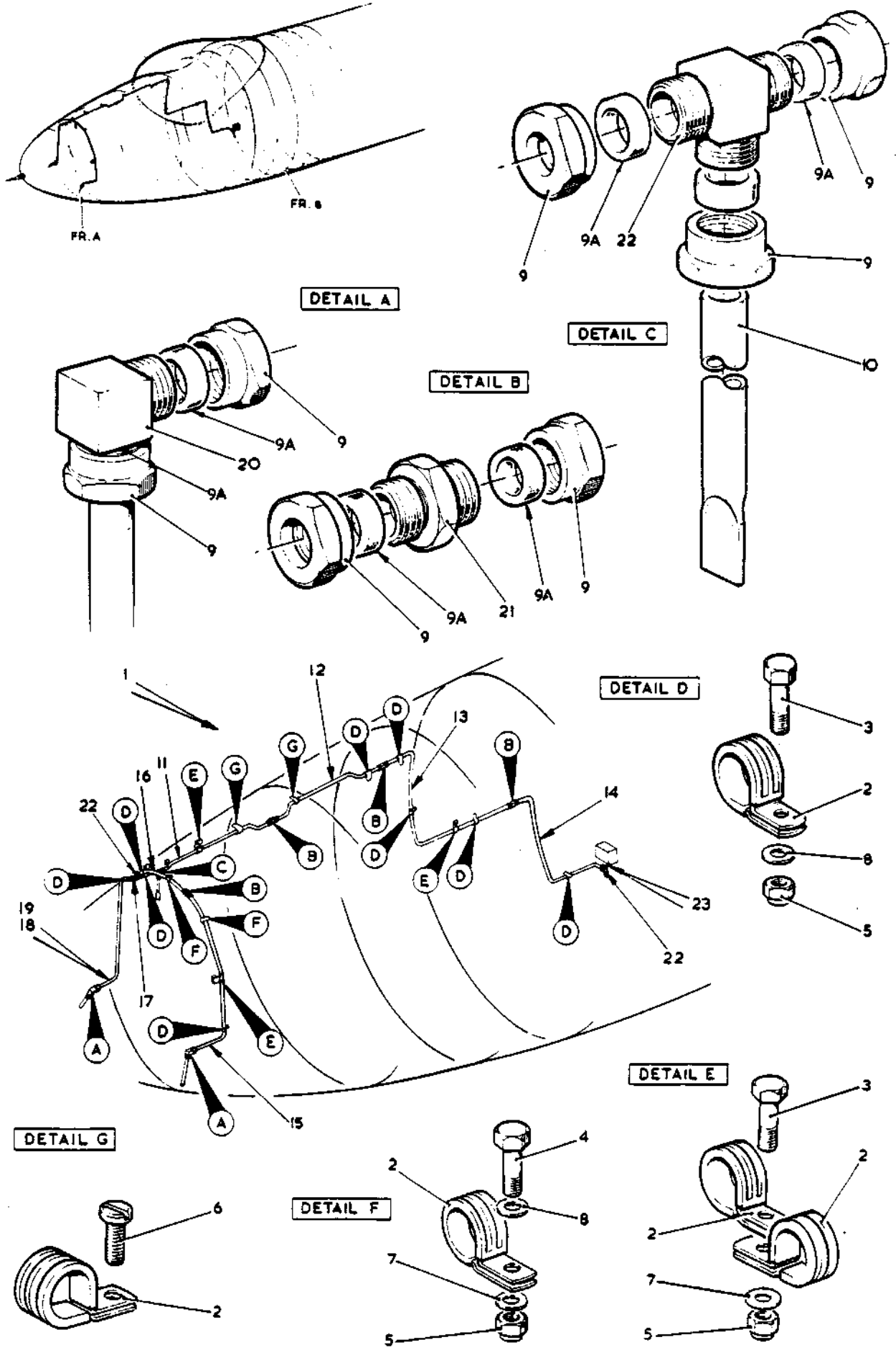


FIG. 3. CABIN PRESSURE STATIC LINE ASSEMBLY

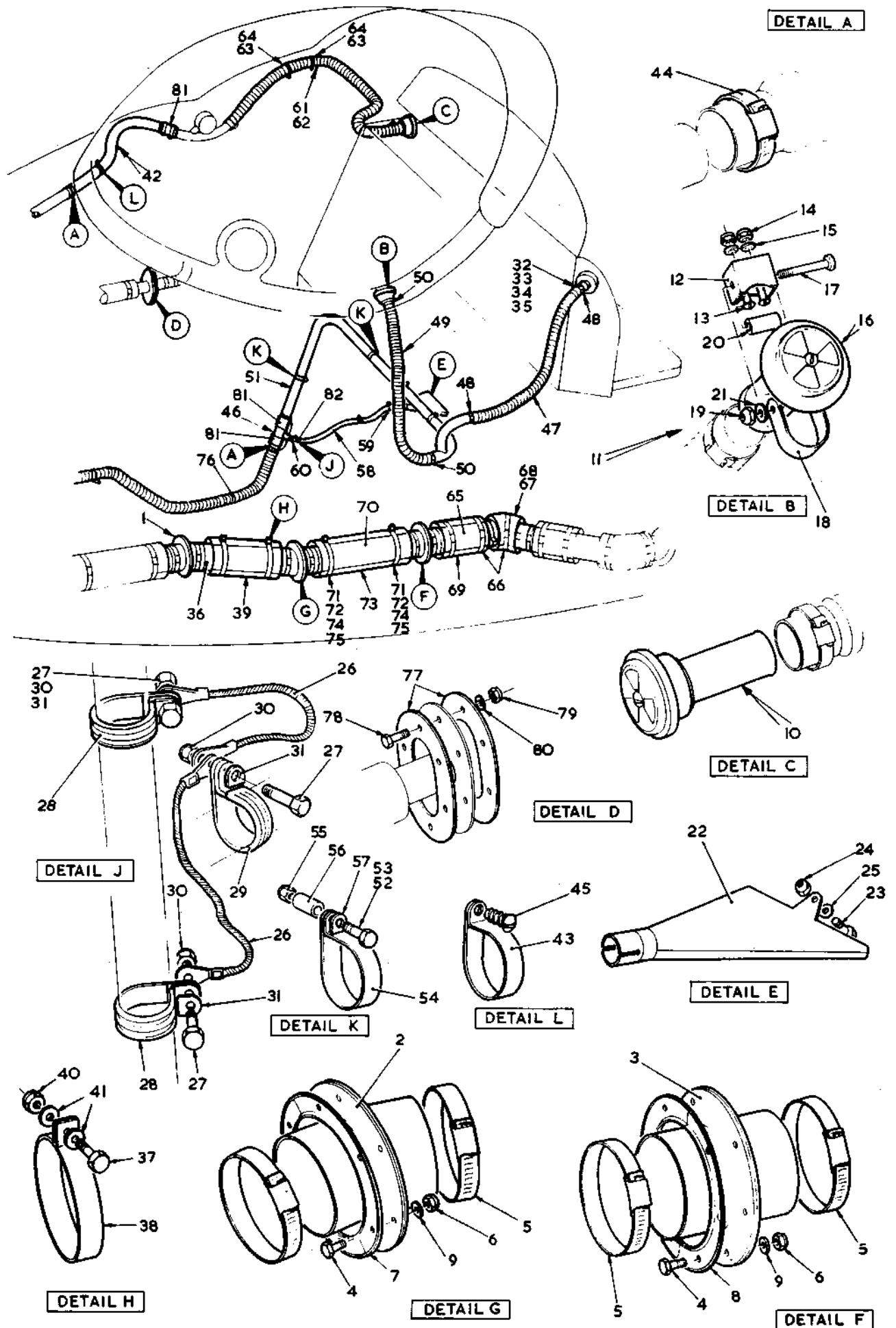


FIG. 4. CABIN PRESSURE SYSTEM IN FRONT FUSELAGE

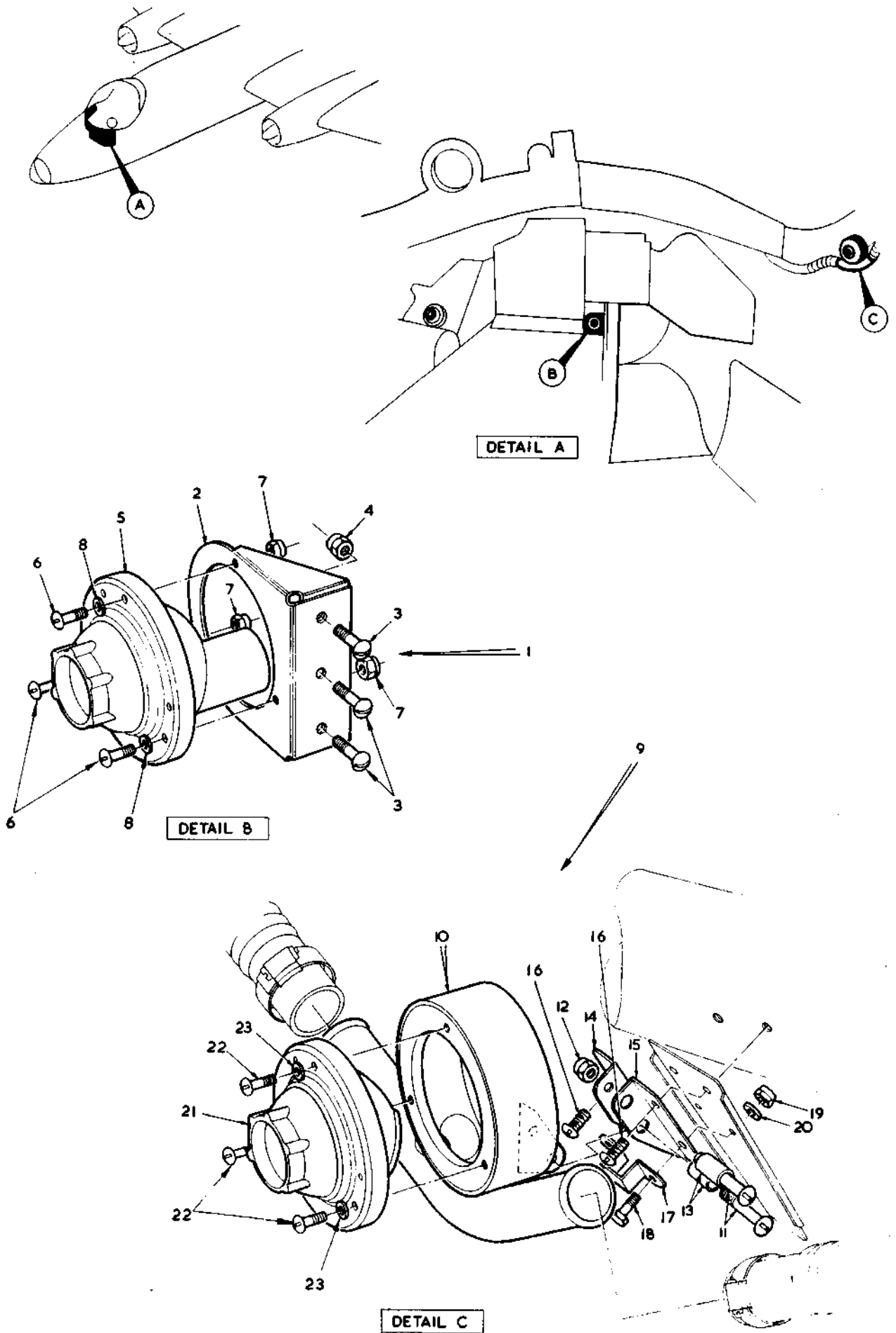


FIG. 5. CABIN PRESSURE SYSTEM FRONT FUSELAGE

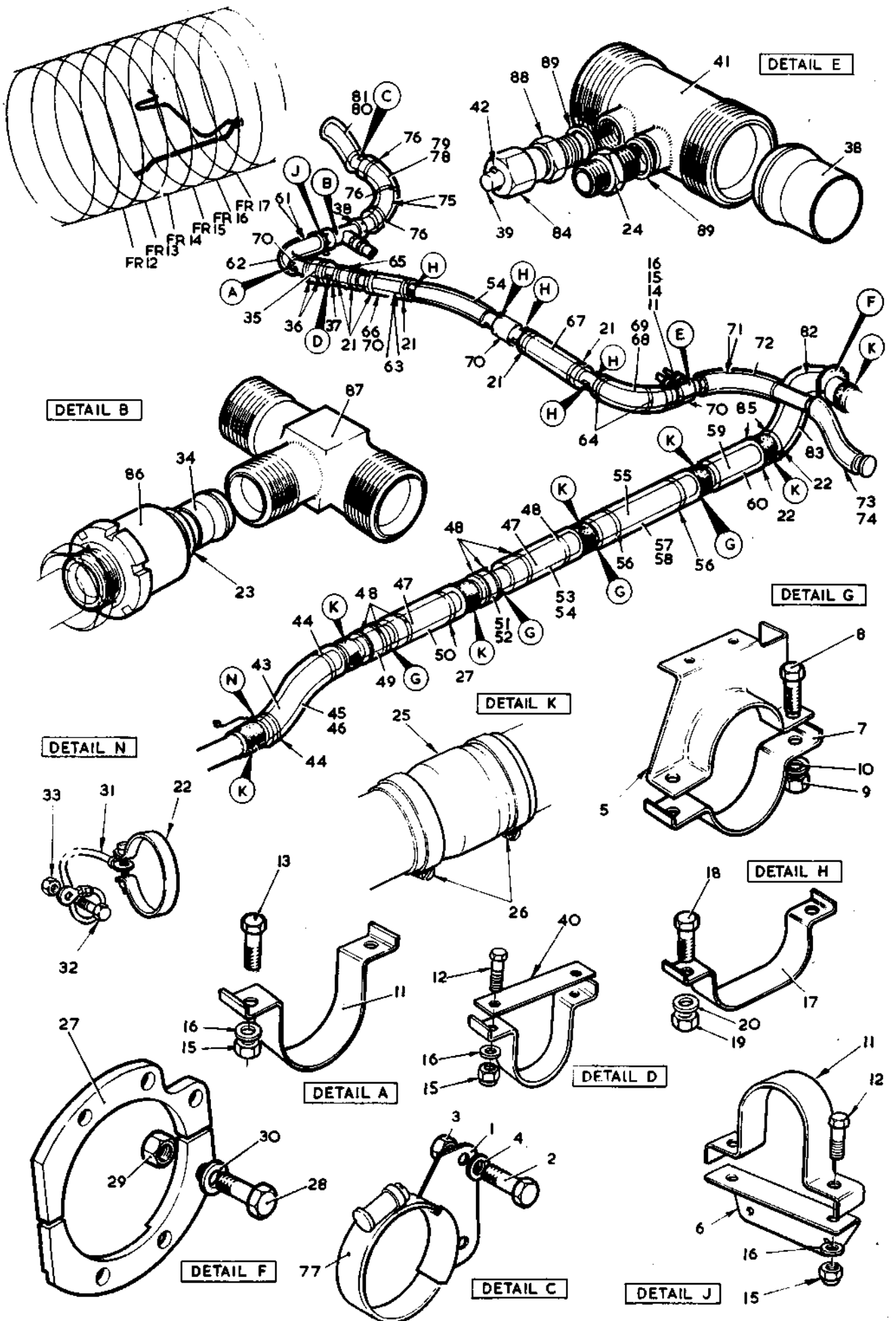


FIG. 6 CABIN PRESSURE SYSTEM IN CENTRE FUSELAGE

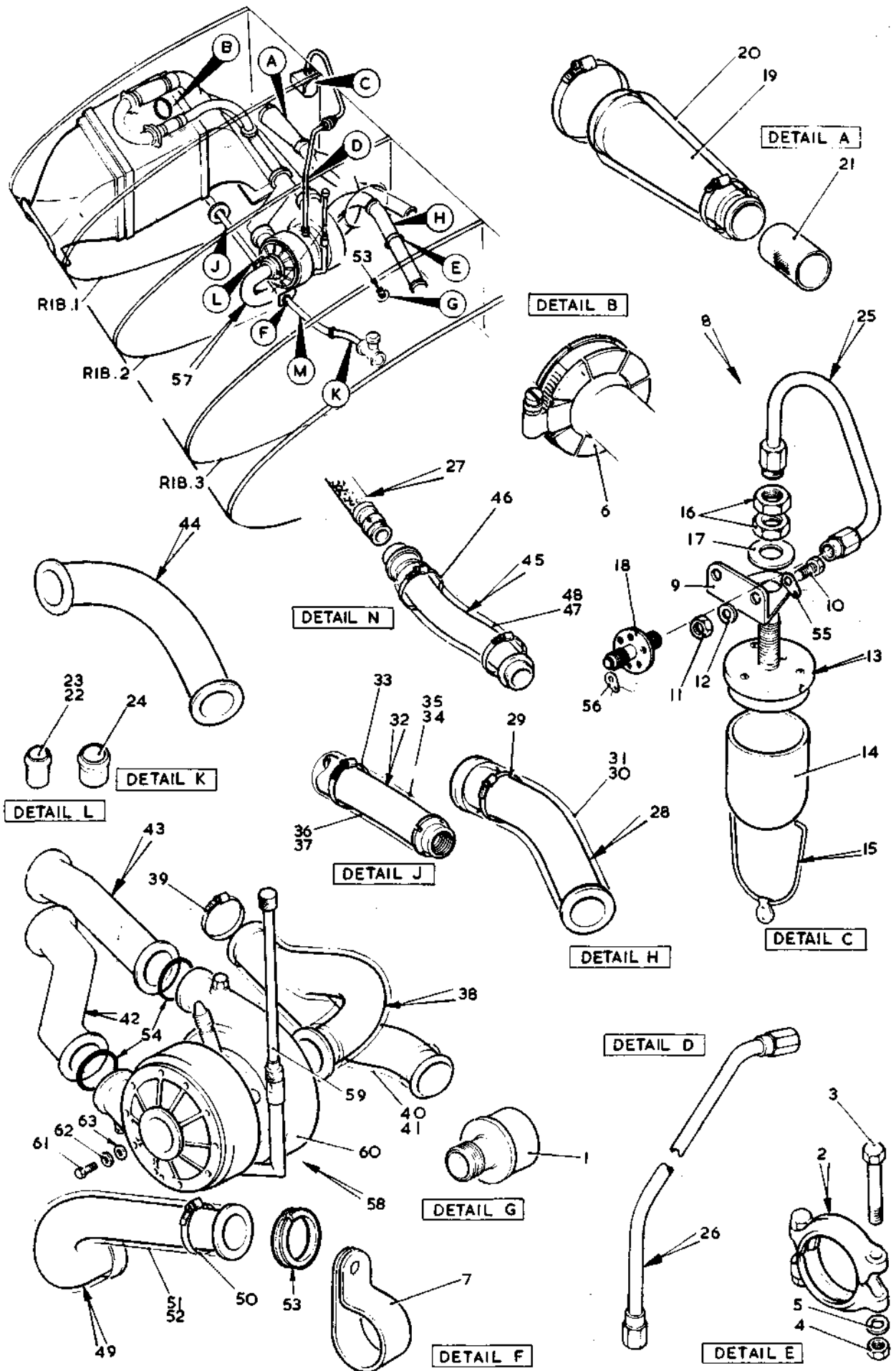


FIG. 7. CABIN PRESSURE AND COLD AIR SYSTEM IN PORT WING

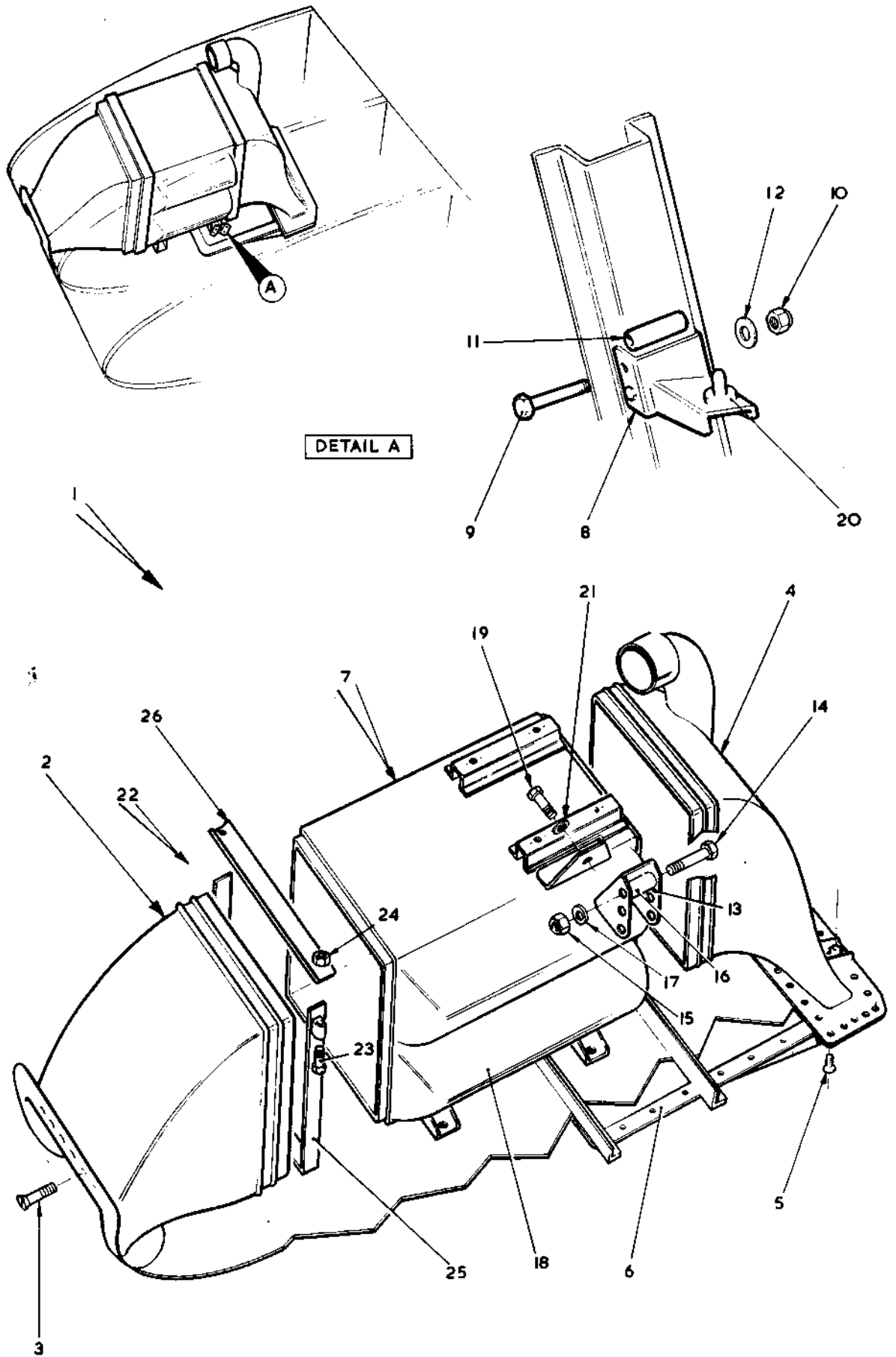


FIG. 8. CABIN PRESSURE AND COLD AIR SYSTEM IN PORT WING

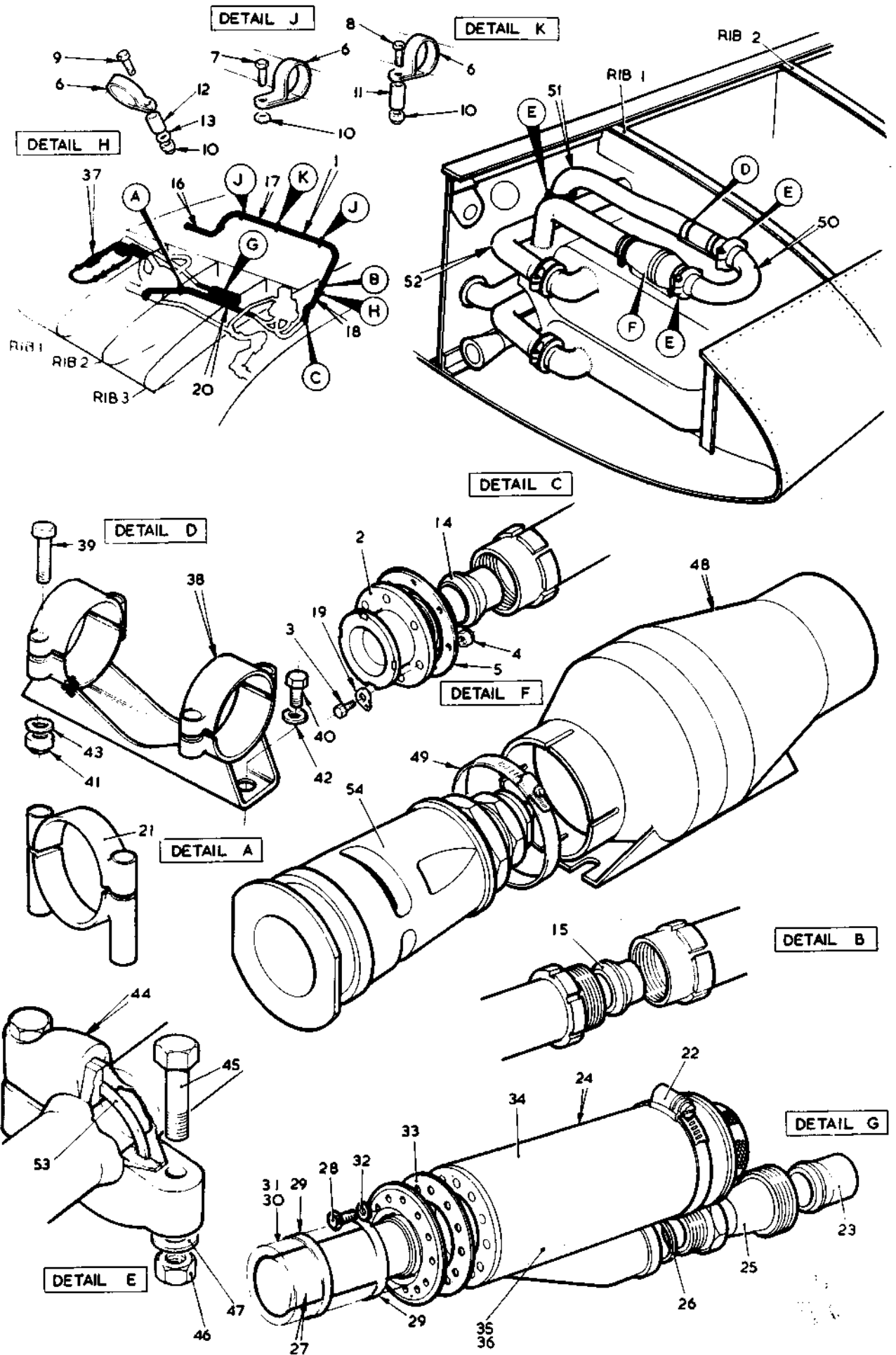


FIG. 9. CABIN PRESSURE AND COLD AIR SYSTEM IN PORT WING

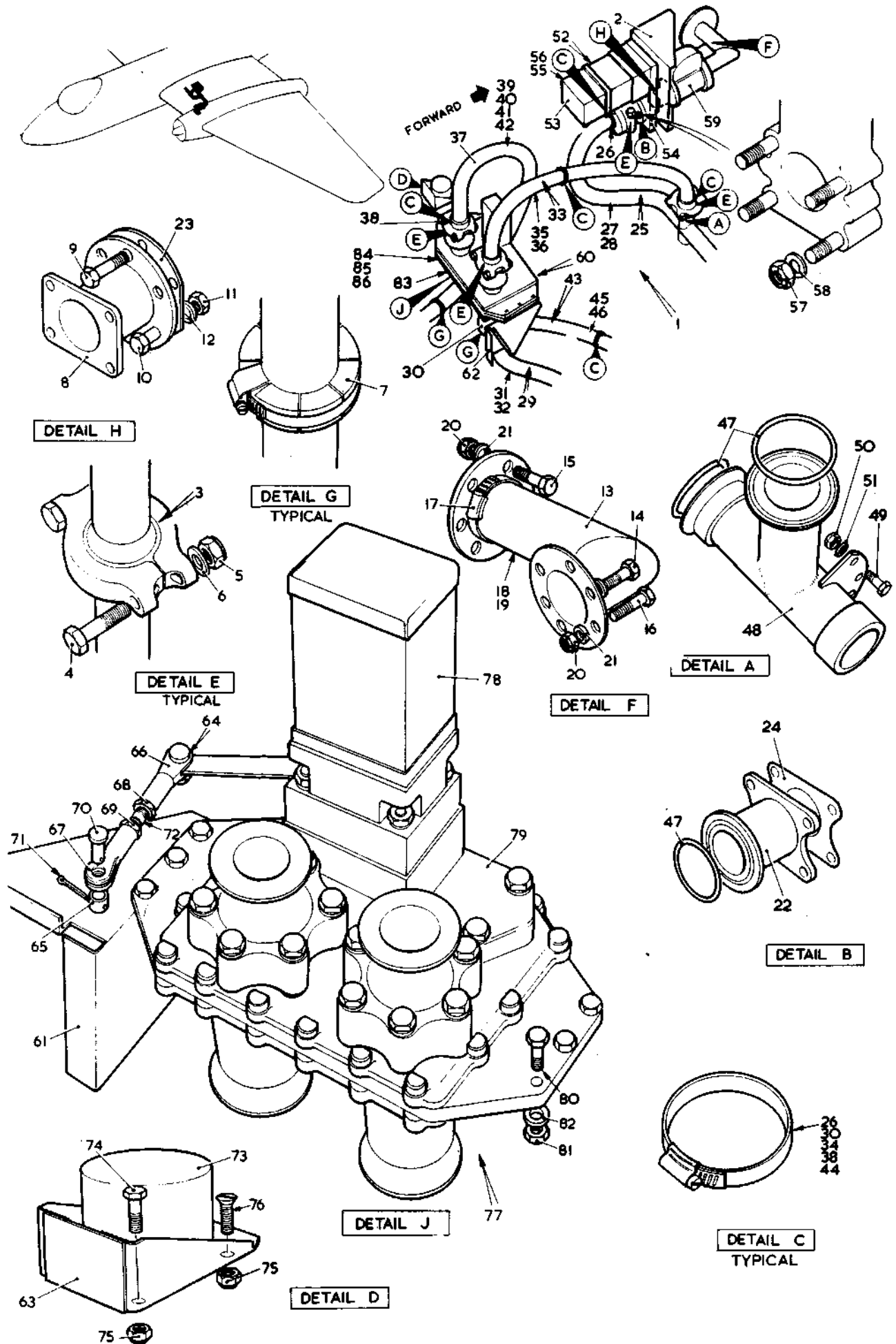


FIG.10 CABIN PRESSURE AND COLD AIR SYSTEM IN PORT WING

CODE Z

SECT. 58

## SERVICES

## CABIN PRESSURE AND COLD AIR SYSTEM IN PORT WING

| Part Number   | 1 2 3 4 5 6 | Description  | No.<br>Off | Matl. Spec. | Plate No. |
|---|-------------|--|------------|-------------|-----------|
|   |             |  |            |             |           |
| EB6.75.649  | . . .       | ROD, ADJUSTING, MIXING VALVE AND DESYNN<br>TRANSMITTER, GROUP<br>Consisting of:— | 1          | —           | SB10/64   |
| AGS899/2  | . . . .     | COLLAR   | 2          | —           | SB10/65   |
| EB6.75.653  | . . . .     | FORK, R.H.   | 1          | —           | SB10/66   |
| EB6.75.655  | . . . .     | FORK, L.H.   | 1          | —           | SB10/67   |
| A27CT   | . . . .     | NUT, 2BA   | 1          | —           | SB10/68   |
| A27CTL  | . . . .     | NUT, 2BA   | 1          | —           | SB10/69   |
| SP4Y/B4   | . . . .     | PIN, shackle   | 2          | —           | SB10/70   |
| SP90C7  | . . . .     | PIN, split   | 2          | —           | SB10/71   |
| EB6.75.651  | . . . .     | ROD, screwed, 2BA  | 1          | —           | SB10/72   |
| 132FL   | . . .       | TRANSMITTER, Desynn<br>Attaching parts for 132FL:—                               | 1          | —           | SB10/73   |
| A25/1C  | . . .       | Bolt, 2BA  | 2          | —           | SB10/74   |
| AGS2001C1/66  | . . .       | Nut, stiff, 2BA  | 4          | —           | SB10/75   |
| EEAS1/1C  | . . .       | Screw, 2BA   | 2          | S96         | SB10/76   |
| EB7.75.103  | . . .       | VALVE, DOUBLE, HOT AIR AND ACTUATOR,<br>ASSEMBLY<br>Consisting of:—              | 1          | —           | SB10/77   |
| E. E. CO. LTD.<br>BRADFORD<br>TYPE 233<br>TEDDINGTON<br>FKH/A15 | . . . .     | ACTUATOR   | 1          | —           | SB10/78   |
|   | . . . .     | VALVE<br>Attaching parts for EB7.75.103:—  | 1          | —           | SB10/79   |
| A25/4C  | . . .       | Bolt, 2BA  | 6          | —           | SB10/80   |
| AGS2001C1/66  | . . .       | Nut, stiff, 2BA  | 6          | —           | SB10/81   |
| SP15C   | . . .       | Washer   | 6          | —           | SB10/82   |
|   |             | Attachments for Valve, EB6.75.243:—  |            |             |           |
| EB6.75.299A   | . .         | Lagging  | 1          | —           | SB10/83   |
| EB6.75.301A   | . .         | Lagging  | 1          | —           | SB10/84   |
| EB6.75.635A   | . .         | Lagging  | 1          | —           | SB10/85   |
| EB6.75.637A   | . .         | Lagging  | 1          | —           | SB10/86   |

SERVICES

CABIN PRESSURE AND COLD AIR SYSTEM IN PORT WING

| Part Number | Description<br>1 2 3 4 5 6 | No.<br>Off | Matl. Spec. | Plate No. |
|-------------|----------------------------|------------|-------------|-----------|
|             |                            |            |             |           |

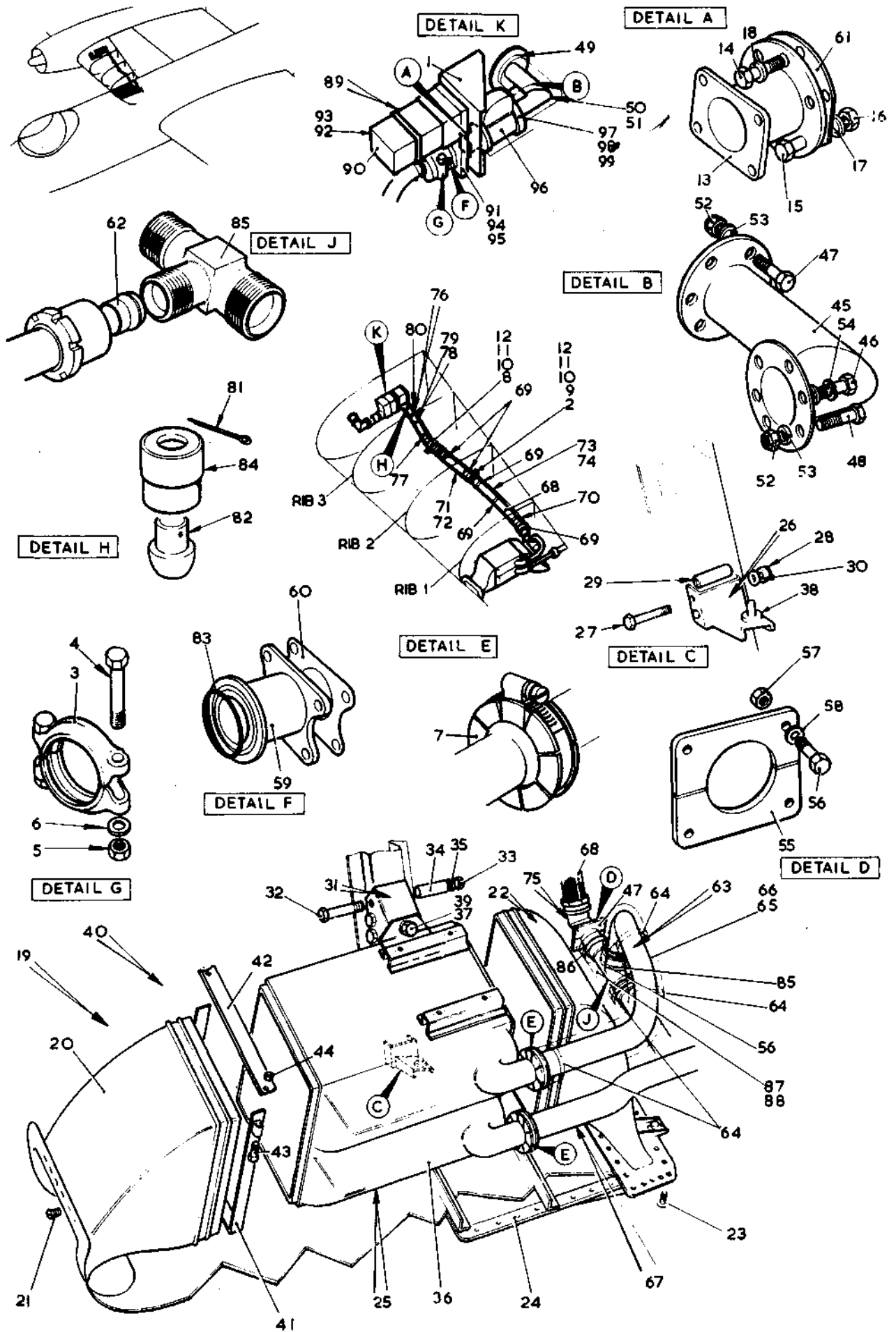


FIG. 11. CABIN PRESSURE AND COLD AIR SYSTEM IN STARBOARD WING

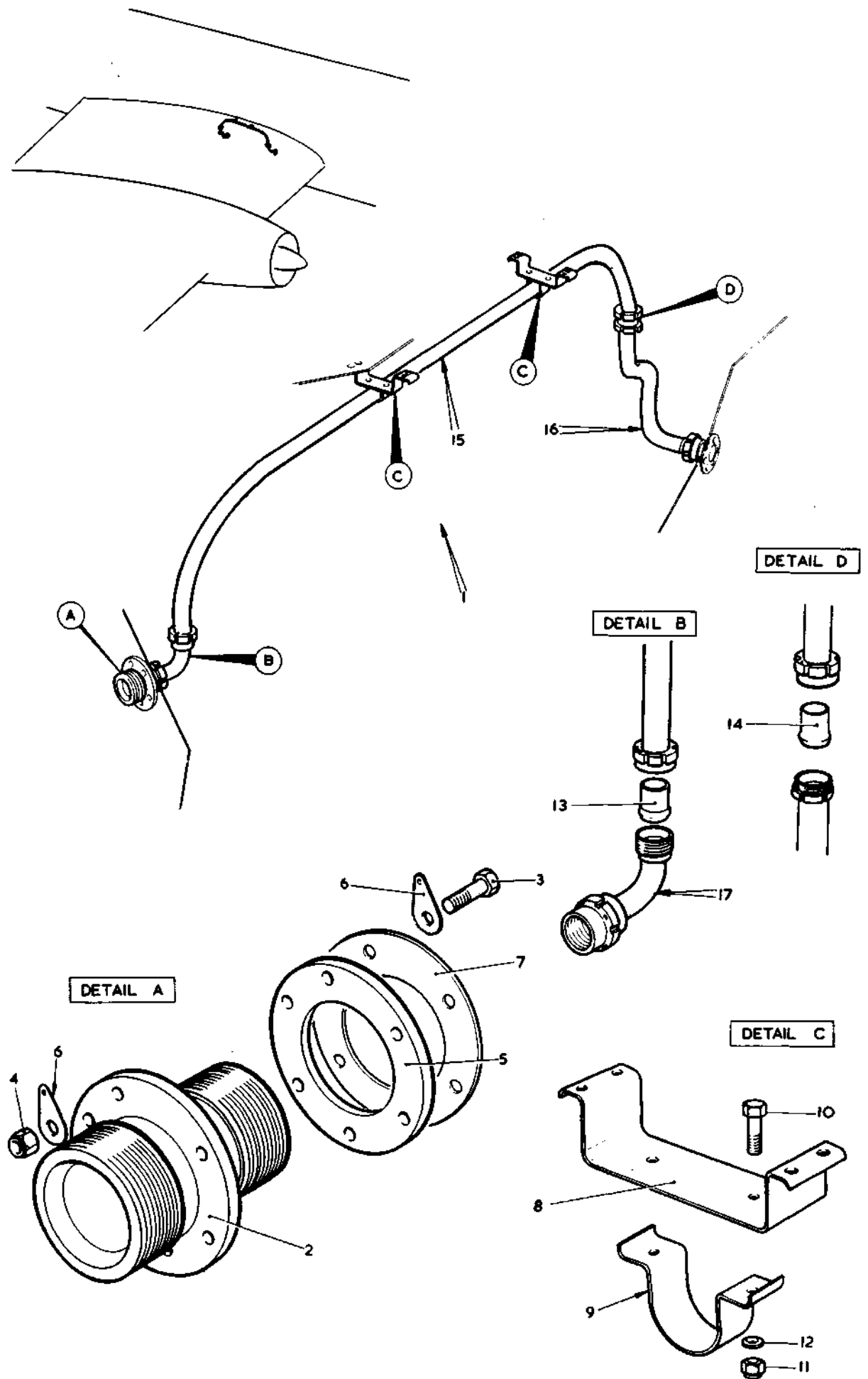


FIG. 12. PIPE RUN IN WHEEL BAY ASSEMBLY

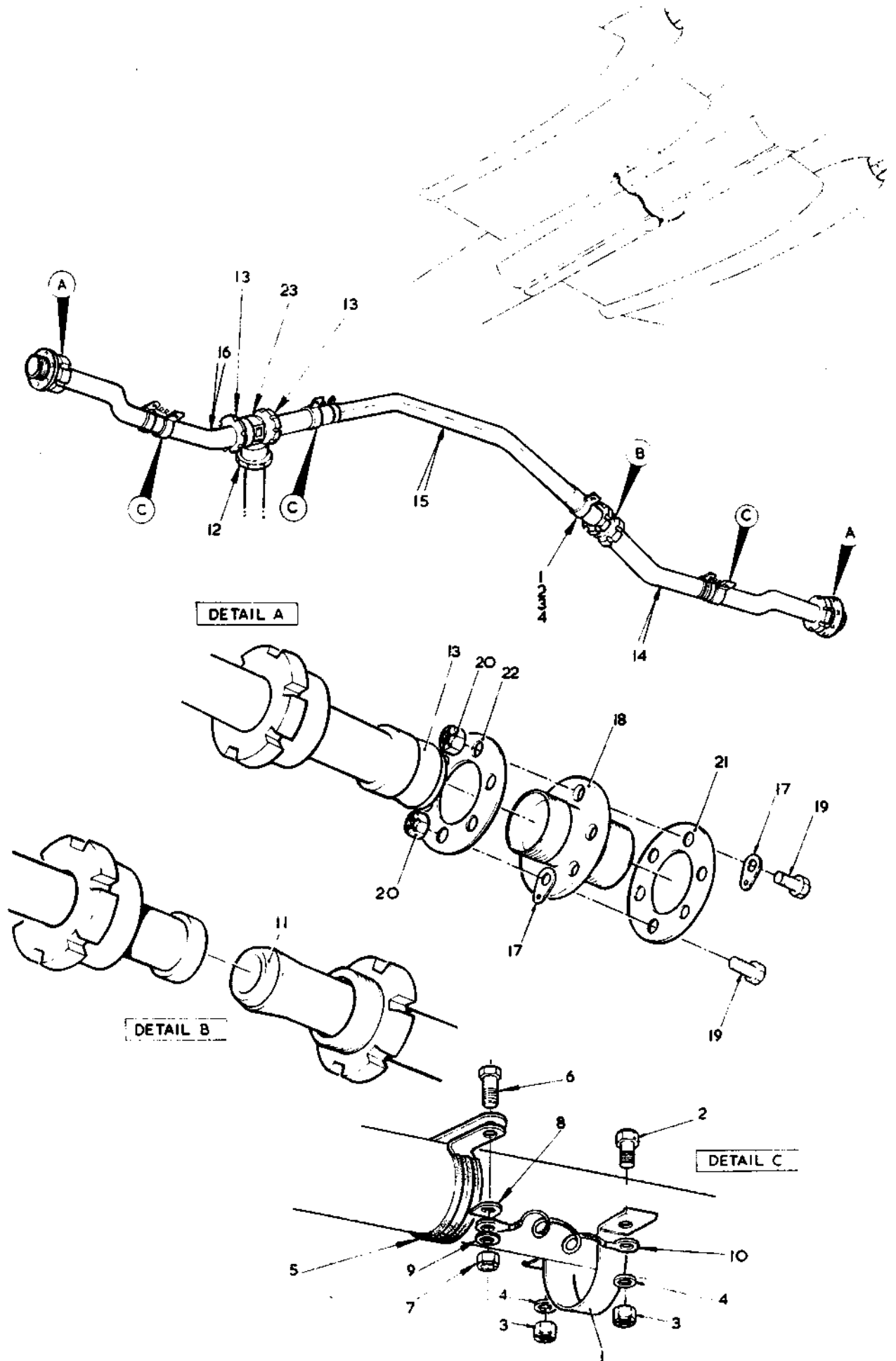


FIG. 13 CAU. SYSTEM IN BOMB BAY ASSEMBLY

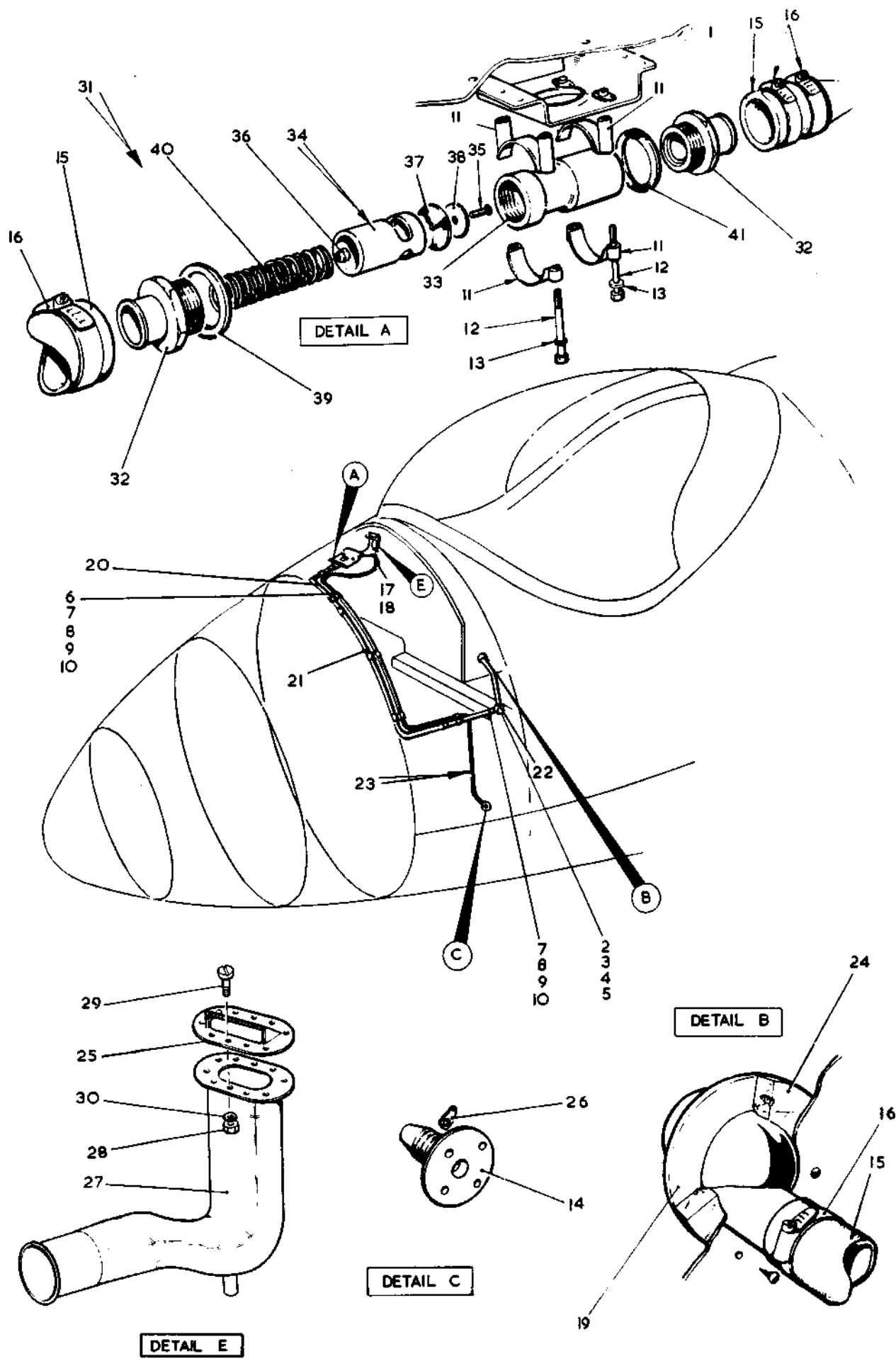


FIG. 14. COLD AIR SUPPLY TO PILOT

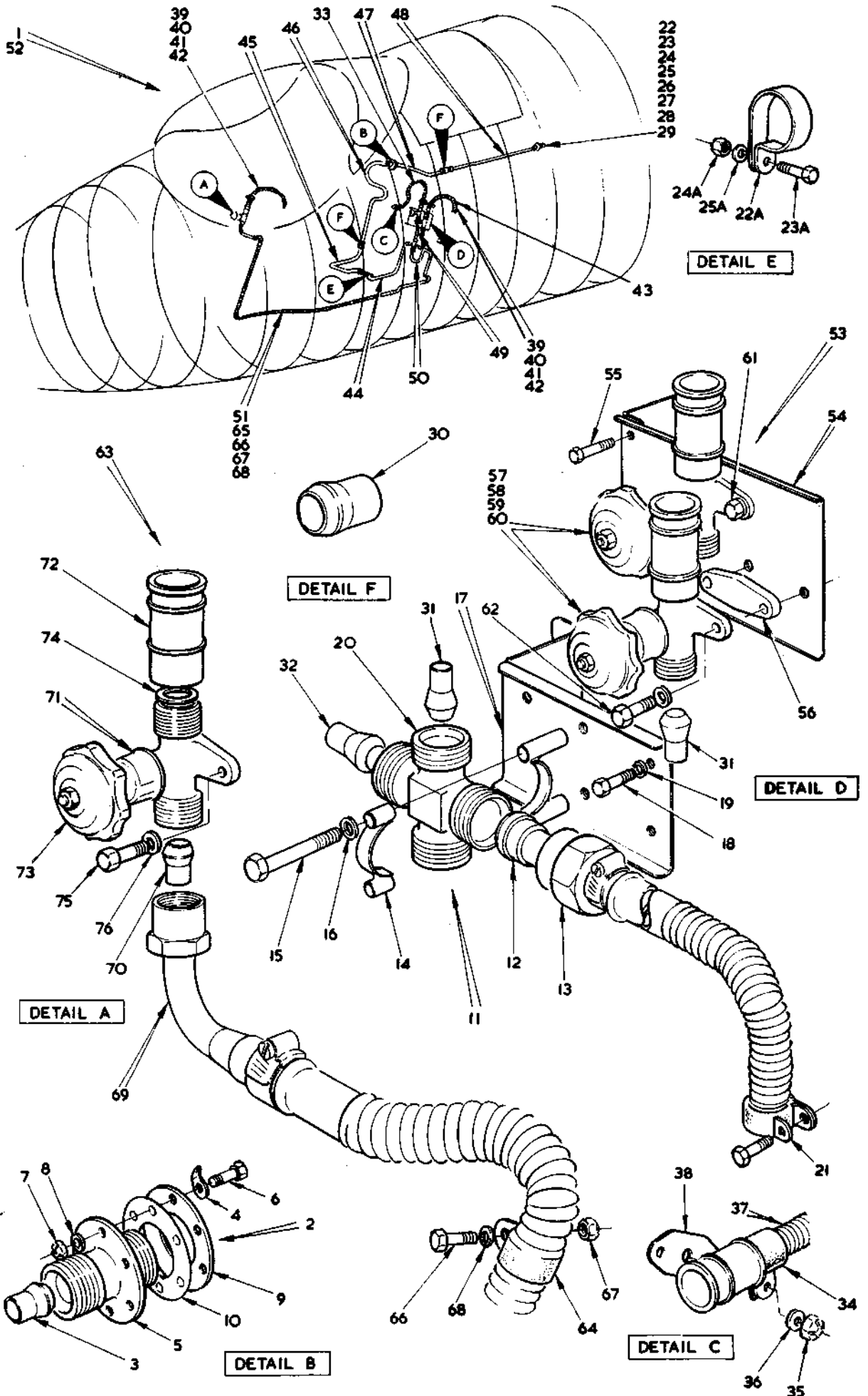


FIG. 15 AIR VENTILATED SUIT SYSTEM FRONT FUSELAGE

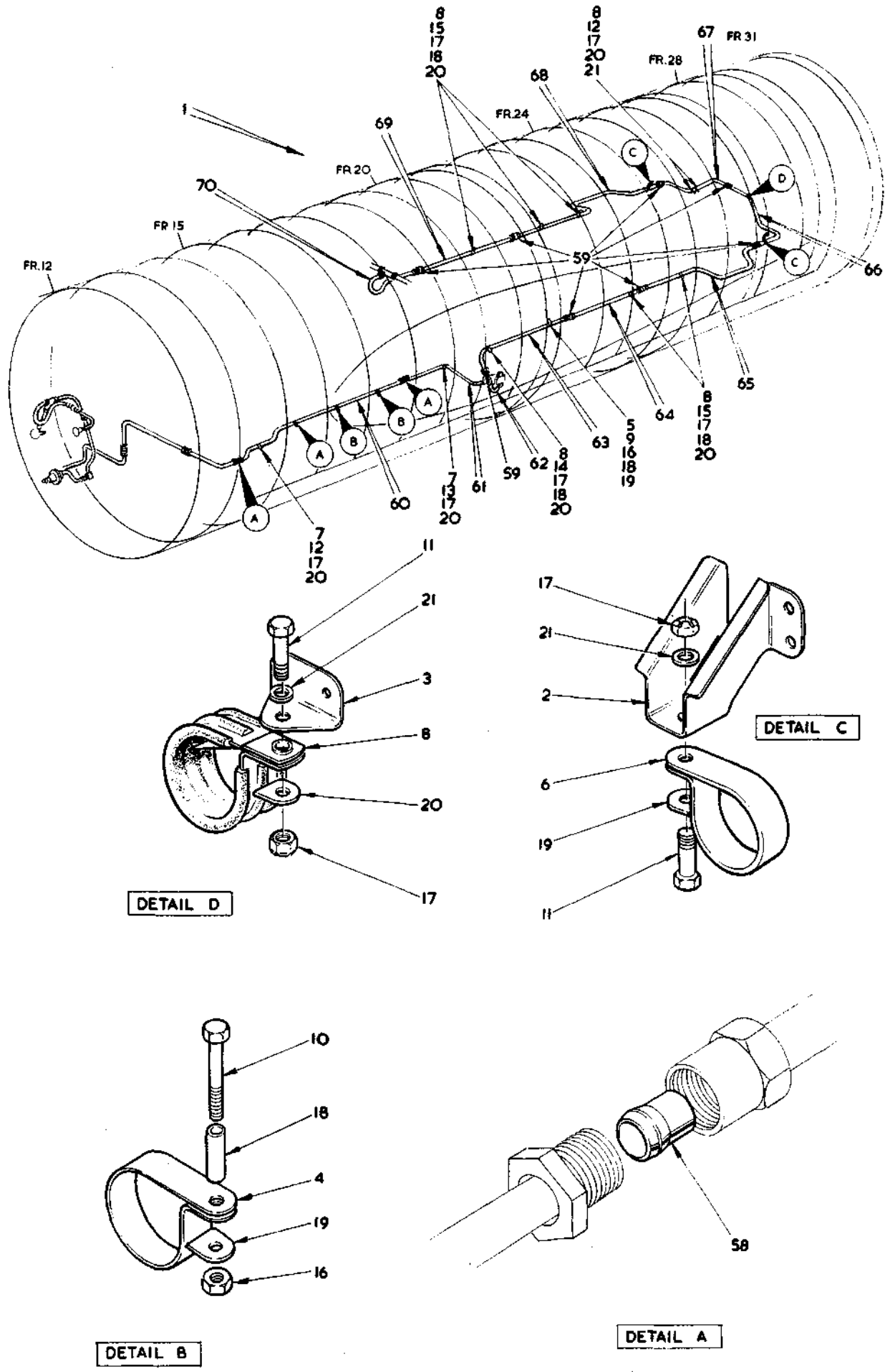


FIG.16A AIR VENTILATED SUIT SYSTEM CENTRE FUSELAGE

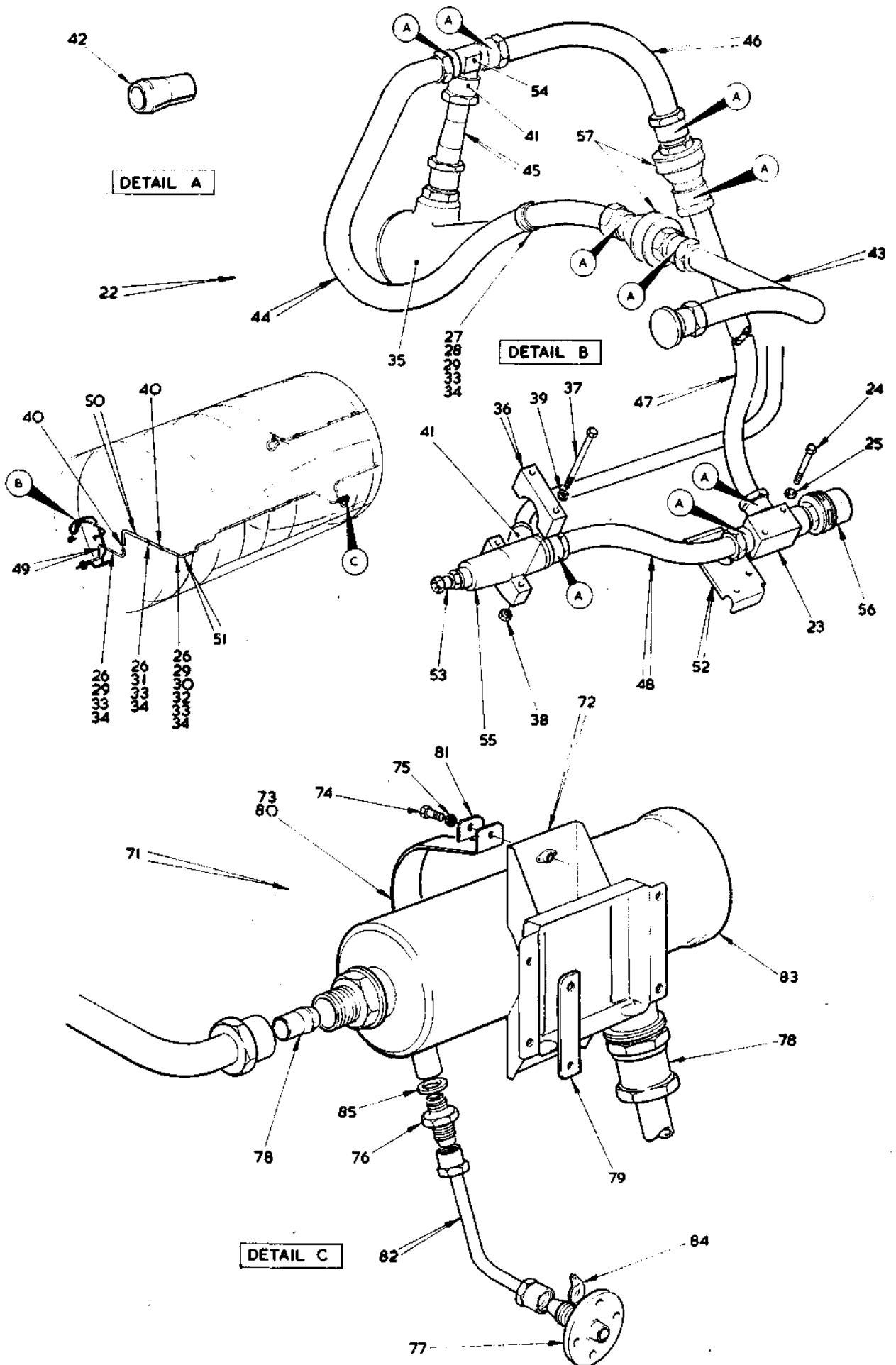


FIG.16B AIR VENTILATED SUIT SYSTEM CENTRE FUSELAGE

This file was downloaded  
from the RTFM Library.

Link: [www.scottbouch.com/rtfm](http://www.scottbouch.com/rtfm)

Please see site for usage terms,  
and more aircraft documents.

