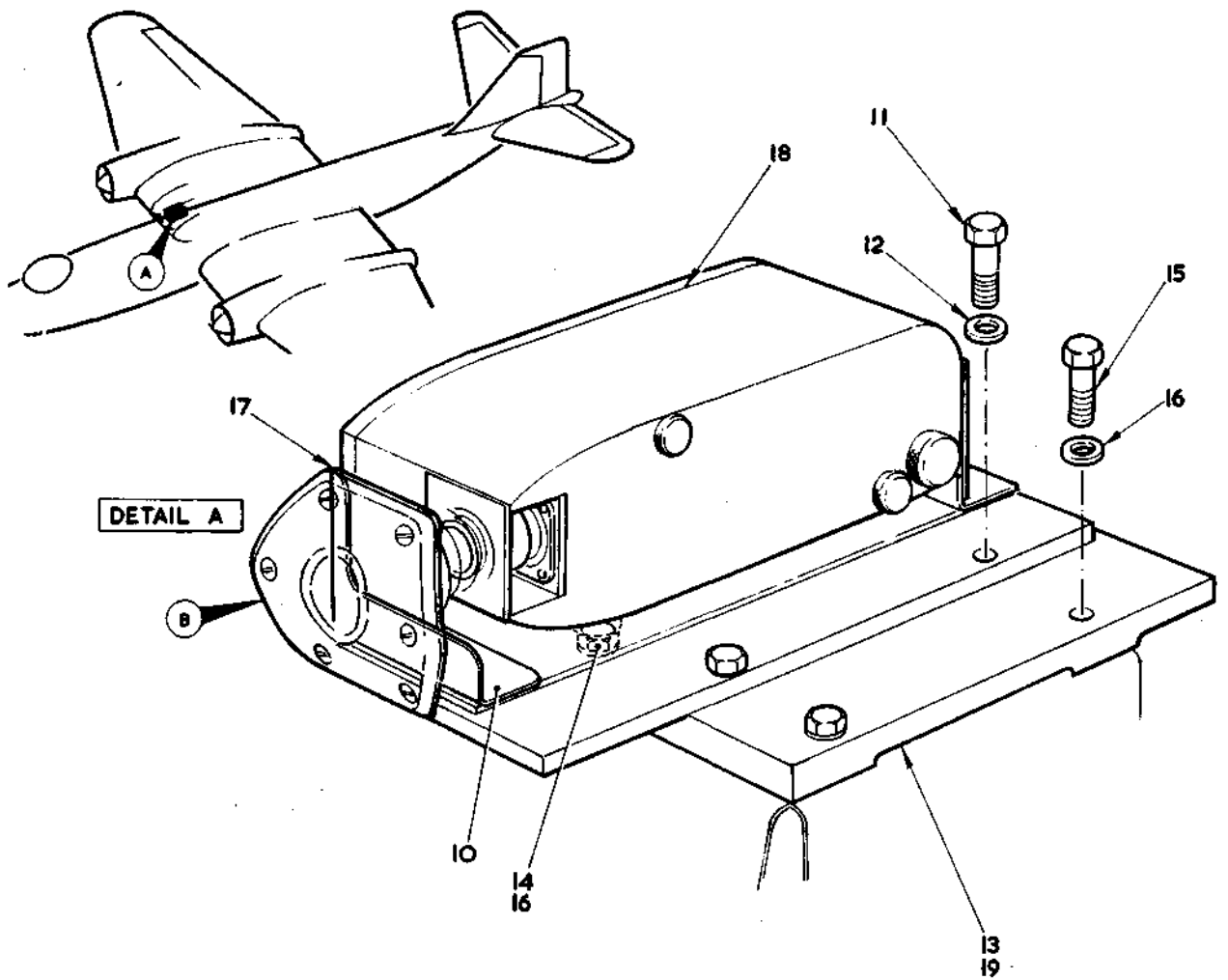


SERVICES

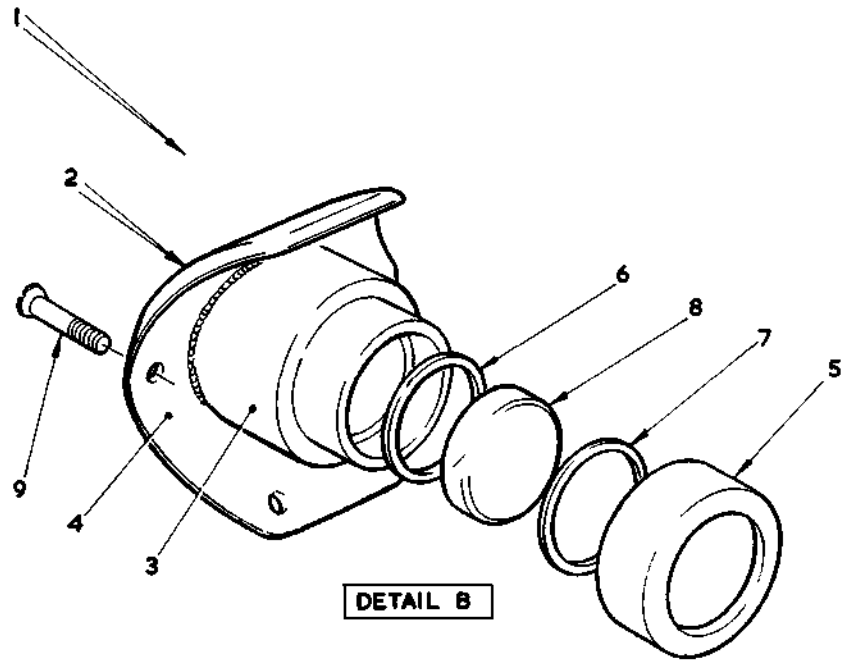
CAMERA AND CAMERA CONTROLS

Part Number	Description	No. Off	Mtl. Spec.	Plate No.
EG4.83.317	CAMERA, G.90, INSTALLATION (MOD 4799) Spares for:—	—	—	
EG4.83.63	. APERTURE, CAMERA, ASSEMBLY (MOD 3930) Spares for:—	1	—	SC1/1
EG4.83.65	. . PLATE, MOUNTING, ASSEMBLY Spares for:—	1	—	SC1/2
EG4.83.65A	. . . MOUNTING	1	—	SC1/3
EG4.83.65B	. . . PLATE	1	S521	SC1/4
EG4.83.73	. . RING, retaining window	1	S61	SC1/5
EG4.83.71	. . SEAL, window joint	1	—	SC1/6
EG4.83.67	. . SEAL, window, rear	1	—	SC1/7
EG4.83.69	. . WINDOW, camera	1	Plate Glass	SC1/8
AS2920/3C	Attaching parts for EG4.83.63:— . Bolt, 2BA	6	—	SC1/9
378-13A	. MOUNTING, G.90 camera Attaching parts for 378-13A:—	1	—	SC1/10
A25/1E	. Bolt, 1/4" BSF	4	—	SC1/11
SP15E	. Washer	4	—	SC1/12
EG4.83.75	. PLATE, mounting Attaching parts for EG4.83.75:—	1	DT03030	SC1/13
A25/3E	. Bolt, 1/4" BSF	2	—	SC1/14
A25/6E	. Bolt, 1/4" BSF	2	—	SC1/15
SP15E	. Washer	4	—	SC1/16
EG4.83.83	. SEAL, camera aperture, 1/16" thick	1	—	SC1/17
EG4.83.81	. SHIM, laminated, between camera and camera mounting (As required)	1	LA3	SC1/18
EG4.83.79	. SHIM, laminated (As required)	2	—	SC1/19
EG4.83.313	CAMERA INSTALLATION (MOD 4799) Spares for:—	—	—	SC2/1
EB6.83.31	. MOUNTING, CAMERA, ASSEMBLY Spares for:—	1	—	SC2/2
EA3.83.91	. . RAIL, camera guide Attaching parts for EB6.83.31:—	4	—	SC2/3
A25/1E	. Bolt	2	—	SC2/4
A25/4E	. Bolt	4	—	SC2/5
AGS2001E1/77	. Nut	6	—	SC2/6
EA3.10.2661	. Packing	2	—	SC2/7



DETAIL A

DETAIL B



This file was downloaded
from the RTFM Library.

Link: www.scottbouch.com/rtfm

Please see site for usage terms,
and more aircraft documents.

