

AP101B-0415-3A

Page SD.1

SERVICES
DE-MISTING SYSTEM

Part Number	Description	No. Off	Mati. Spec.	Plate No.
EG4.76.101	DE-MISTING SYSTEM ASSEMBLY (MOD 4799)	—	—	SD1/1
EA3.76.15	Spares for :— · BLOCK, mounting	2	—	SD3/32
R 4R x 1/4"	· Attaching parts for EA3.76.15 :— · Screw	4	—	SD3/33
X 1625	· BLOWER, type 1	1	—	SD1/2
EA1.10.1653	· BRACKET, support, air drier, port	1	—	SD1/50
EA1.10.1655	· BRACKET, support, air drier, port	1	—	SD1/51
A25/2C	· Attaching parts for EA1.10.1653 and EA1.10.1655 :—	2	—	SD1/52
AGS2001C1/66	· Bolt, 2BA	2	—	SD1/53
SP16C	· Nut, 2BA	2	—	SD1/54
	· Washer	2	—	
EB6.76.175	· CANOPY, INNER DE-MISTING, ASSEMBLY	—	—	SD2/1
SP144/028	Spares for :— · CLIP, jubilee	2	—	SD2/2
EEAS143/25	· CLIP, pipe 3/8" o/d	1	—	SD2/2A
R 10R x 5/16"	· Attaching parts for EEAS143-25 :— · Screw	1	—	SD2/2B
EA3.76.241	· FLANGE, assembly	1	—	SD2/3
A25/3C	· Attaching parts for EA3.76.241 :—	6	—	SD2/4
AGS2001C1/66	· Bolt, 2BA	6	—	SD2/5
EB7.75.613	· Nut, 2BA	1	Asbestos	SD2/6
SP15C	· Seal	6	—	SD2/7
	· Washer, 2BA	6	—	
EA3.76.243	· PACKING	1	—	SD2/7A
EB6.76.173	· PIPE, de-misting, assembly	1	—	SD2/8
R 4M x 1/4"	· Attaching parts for EB6.76.173 :—	1	—	SD2/9
R 10R x 5/16"	· Screw	3	—	SD2/10
	· Screw	3	—	
EA3.76.223	· VALVE, butterfly type	1	—	SD2/11
AS4525/8	· CLIP, pipe, single	1	—	SD2/12
A25/1B	· Attaching parts for AS4525/8 :—	1	—	SD2/13
AGS2001B1	· Bolt, 4BA	1	—	SD2/14
SP16B	· Nut, 4BA	1	—	SD2/15
	· Washer	1	—	
EEAS143/22	· CLIP, pipe, single	1	—	SD2/16
A25/1C	· Attaching parts for EEAS143/22 :—	1	—	SD2/17
AGS2001C1/66	· Bolt, 2BA	1	—	SD2/18
SP15C	· Nut, 2BA	1	—	SD2/19
	· Washer, 2BA	1	—	
SP91A	· CLIP, hose	8	—	SD2/20
SP91N	· CLIP, jubilee	2	—	SD2/21
AS2294/2	· CLIP, spring	2	—	SD2/22
R 2R x 3/16"	· Attaching parts for AS2294/2 :— · Screw	1	—	SD2/22A
AS4525/8	· CLIP, pipe	11	—	SD1/28

SERVICES
DE-MISTING SYSTEM

Part Number	Description	No. Off	Mati. Spec.	Plate No.
A25/2C AGS2001C1/66 EEAS239/1A	Attaching parts for AS4525/8 :- • Bolt, 2BA • Nut, 2BA • Washer, 'D'	1 1 1	— — —	SD1/29 SD1/30 SD1/31
R R AGS.3924/1 AGS.3924/2	• CLIP (Mod 5238) • CLIP (Mod 5238)	2 15	— —	
EG4.76.39 EA3.76.47	• ELBOW (Mod 3833) • FILTER, AIR, ASSEMBLY Consisting of :-	1 1	— —	SD3/1 SD3/2
EA3.76.69 EA3.76.51 EA3.76.49 PUROLATER	• BOLT • CAP, end • CASE, outer	3 1 1	S95 — —	SD3/3 SD3/4 SD3/5
MFA36A AGS113B EA3.76.67 EA3.76.75 EA3.76.71 EA3.76.73 AGS163B PLESSEY Z1757	• ELEMENT, filter • NUT, wing, 4BA • PLUG, sealing • SPRING • WASHER, sealing element, rubber • WASHER, sealing cap, rudder • WASHER	1 3 1 1 2 1 3	— — DTD683 DTD215 Shore 30 Shore 30 —	SD3/6 SD3/7 SD3/8 SD3/9 SD3/10 SD3/11 SD3/12
R EA3.76.21	• GROMMET • HOSE, connecting, 3/8" o/d x 1/4" i/d x 4 1/2" long (Pre-Mod 5238) (Make from 32C/4382964)	1 1	— Natural Rubber	SD2/23 SD2/24
R EA3.76.25	• HOSE, connecting, 9/16" o/d x 7/16" i/d x 19" long (Make from 32C/4696768) (Pre-Mod 5238)	1	Natural Rubber	SD2/25
R EA3.76.27	• HOSE, connecting, 9/16" o/d x 7/16" i/d x 4" long (Make from 32C/4696768) (Pre-Mod 5238)	1	Natural Rubber	SD2/26
R EA3.76.31	• HOSE, connecting, 9/16" o/d x 7/16" i/d x 2" long (Make from 32C/4696768) (Pre-Mod 5238)	1	Natural Rubber	SD2/27
R EA3.76.33	• HOSE, connecting, 9/16" o/d x 7/16" i/d x 1 1/2" long (Make from 32C/4696768) (Pre-Mod 5238)	3	Natural Rubber	SD2/28
R EA3.76.175	• HOSE, connecting, 9/16" o/d x 7/16" i/d x 20" long (Make from 32C/4696768) (Pre-Mod 5238)	1	Natural Rubber	SD2/29
R EA3.76.209	• HOSE, connecting, 9/16" o/d x 7/16" i/d x 3" long (Make from 32C/4696768) (Pre-Mod 5238)	1	Natural Rubber	SD2/30
R EB6.76.39	• HOSE, connecting 9/16" o/d x 7/16" i/d x 48" long (Make from 32C/4696768) (Pre-Mod 5238)	1	Natural Rubber	SD2/31
32C4382964	• HOSE	QR	Natural Rubber	SD2/35
32C4696768	• HOSE	QR	Natural Rubber	SD2/35A
EG4.76.103	• INSTALLATION, BLOWER MOTOR (MOD 4799) Spares for :-	1	—	SD1/3
EB6.76.157 SCC79242/2	• ANGLE, stiffening • BRACKET, mounting, 18 SWG (SRIM.3533) (Mod 4799)	1 1	— —	SD1/4 SD1/5
A25/6C AGS2001C1/66 EA3.76.91 SP15C	Attaching parts for SCC79242/2 :- • Bolt, 2BA • Nut, 2BA • Washer, rubber • Washer	4 4 12 4	— — — —	SD1/6 SD1/7 SD1/8 SD1/9
EA3.76.81	• CLIP, blower, mounting Attaching parts for EA3.76.81 :-	1	—	SD1/10
A25/19C AGS2001C1/66 SP15C	• Bolt, 2BA • Nut, 2BA • Washer, 2BA	4 4 4	— — —	SD1/11 SD1/12 SD1/13

SERVICES
DE-MISTING SYSTEM

Part Number	Description	No. Off	Mati. Spec.	Plate No.
EA3.76.95	. . CONNECTOR, inlet blower Attaching parts for EA3.76.95 :-	1	-	SD1/14
A25/33C	. . Bolt, 2BA	2	-	SD1/15
AGS2001C1/66	. . Nut, 2BA	2	-	SD1/16
SP15C	. . Washer, 2BA	2	-	SD1/17
EA3.76.161	. . Washer, joint	1	-	SD1/18
EA3.76.131	. . CONNECTOR, outlet blower Attaching parts for EA3.76.131 :-	1	-	SD1/19
A32A8	. . Screw, 6BA	4	-	SD1/20
SP15A	. . Washer, 6BA, spring	4	-	SD1/21
AS336085E	. . LEAD, bonding Attaching parts for AS336085E :-	1	-	SD1/22
AGS2001B1	. . Nut, 4BA	1	-	SD1/23
A32B10	. . Screw, 4BA	1	-	SD1/24
EEAS28/2CP	. . Washer	1	-	SD1/25
EA3.76.41	. MOUNTING, FILTER, AIR, ASSEMBLY Spares for :-	1	-	SD3/13
EA3.76.85	. . BRACKET, MOUNTING, L.H. C/W STRAP Spares for :-	1	-	SD3/14
EA1.10.1663	. . . NUT, knurled finger	1	L40	SD3/15
SP55C	. . . WASHER, spring	1	-	SD3/15A
EA3.76.86	. . BRACKET, MOUNTING, R.H. C/W STRAP Spares for :-	1	-	SD3/16
EA1.10.1663	. . . NUT, knurled finger	1	L40	SD3/17
SP55C	. . . WASHER, spring	1	-	SD3/17A
A25/1C	. . Attaching parts for EA3.76.85 and EA3.76.86 :-	2	-	SD3/18
AGS2001C1/66	. . Bolt, 2BA	2	-	SD3/19
EA3.76.5	. TEE, connecting piece, for navigator's window hose	1	-	SD1/32
EA3.76.19	. TEE, connecting piece, at nose air drier tube (Pre-Mod 3833)	1	-	SD2/60
EA3.76.165	. TUBE, alloy, continuation between frames 1 and 4, port side	1	L56	SD2/32
EA3.76.167	. TUBE, alloy, from air filter to hose connection aft of frame 1	1	L56	SD2/33
EA3.76.169	. TUBE, alloy, from air filter to canopy hose connection	1	L56	SD2/34
SCC79576/3	. TUBE, alloy, continuation, between frames 3 and 4, 1/2" o/d x 20 SWG (SRIM.3533) (Mod 4799)	1	L56	SD2/36
SCC79576/2	. TUBE, alloy, from portside connection at frame 4 to blower, 1/2" o/d x 20 SWG (SRIM.3533) (Mod 4799)	1	L56	SD1/26
SCC79576/1	. TUBE, alloy, from blower to air drier, port side, 1/2" o/d x 20 SWG (SRIM.3533) (Mod 4799)	1	L56	SD1/27
EA3.76.201	. TUBE, AIR DRIER, PORT, ASSEMBLY Consisting of :-	1	-	SD1/33
EA3.76.187	. . BOLT, clamping cover	3	-	SD1/34
EA3.76.207	. . CAP, end, assembly	1	-	SD1/35
EA3.76.199	. . CONTAINER, body assembly	1	-	SD1/36

R

SERVICES
DE-MISTING SYSTEM

Part Number	Description	No. Off	Matl. Spec.	Plate No.					
				1	2	3	4	5	6
EA3.76.79	. . . FILTER, ASSEMBLY Spares for :-	1	-						SD1/37
EA3.76.77 FILTER, pad (34 SWG - 40 mesh)	1	-						SD1/38
EA1.76.19 MOUNTING, filter Attaching parts for EA1.76.19 :-	1	-						SD1/39
A27AP Nut, 6BA	6	-						SD1/40
A32A8 Screw, round head, 6BA	6	-						SD1/41
EA3.76.21 PLATE, retaining	1	L72						SD1/42
AGS113B NUT, wing	3	-						SD1/43
EA1.76.25 WASHER, rubber, sealing container and cap	2	Shore 40-45						SD1/44
SP55B WASHER, spring Attaching parts for EA3.76.201 :-	3	-						SD1/45
EA1.10.1657 Clip, top half	2	DTD124						SD1/46
EA1.10.1659 Clip, bottom half	2	DTD124						SD1/47
EA1.10.1663 Nut, knurled, finger	4	L40						SD1/48
SP47C Washer, spring	4	-						SD1/49
EA3.76.101	. . . TUBE, AIR DRIER, STARBOARD, ASSEMBLY Spares for :-	1	-						SD2/37
EA3.76.159 ADAPTOR	1	-						SD2/38
EA3.76.103 CONTAINER, body	1	-						SD2/39
VOKES									
A12681 FILTER	2	-						SD2/40
or									
EK5.76.65 FILTER	2	-						SD2/41
EA3.76.105 HOSE, connecting, 3 1/8" o/d x 3" i/d x 2" long Attaching parts for EA3.76.105 :-	1	Rubber						SD2/41
SP91N Clip, hose	2	-						SD2/42
EA3.76.107 VALVE, ASSEMBLY Spares for :-	1	-						SD2/43
EA3.76.139 BODY, valve, inlet	1	-						SD2/44
EA3.76.137 BODY, valve, outlet	1	-						SD2/45
EA3.76.135 CAP, end Attaching parts for EA3.76.135 :-	1	-						SD2/46
A27CS Nut, 2BA	6	-						SD2/47
SP13C Washer	6	-						SD2/48
AGS2030/39 CIRCLIP, filter, retaining	1	-						SD2/49
EA3.76.153 FILTER	1	-						SD2/50
EA3.76.143 NUT, lock, valve adjusting screw	2	-						SD2/51
EA3.76.155 SCREW, valve adjusting	2	-						SD2/52
EA3.76.147 SEAL, rubber	1	-						SD2/53
EA3.76.119 SEATING, valve	1	-						SD2/54
EA3.76.149 SPRING, valve	2	-						SD2/55
EA3.76.151 VALVE	2	-						SD2/56
AGS11388B WASHER	1	-						SD2/56A
EB6.76.43	. . . TUBE, AIR DRIER MOUNTING, STARBOARD ASSEMBLY Spares for :-	-	-						SD2/57
EB6.76.47 BRACKET, mounting, aft	1	L59						SD2/58
EB6.76.45 BRACKET, mounting, forward	1	L59						SD2/59

SERVICES
DE-MISTING SYSTEM

Part Number	Description	No. Off	Mtl. Spec.	Plate No.
EA1.76.3	. TUBE, AIR DRIER, NOSE, ASSEMBLY Consisting of :-	1	-	SD3/20
EA1.76.7	. . . CAP, container	1	-	SD3/21
EA1.76.9	. . . CAP, container, hose coupling end	1	-	SD3/22
EA1.76.5	. . . CONTAINER, body	1	-	SD3/23
EA1.76.17	. . . FILTER, ASSEMBLY Spares for :-	2	-	SD3/24
EA1.76.23 FILTER, pad	1	Felt	SD3/25
EA1.76.19 MOUNTING, filter Attaching parts for EA1.76.19 :-	1	-	SD3/25A
A27AP Nut, 6BA	6	-	SD3/25B
A32A8 Screw, round head, 6BA	6	-	SD3/25C
EA1.76.21 PLATE, filter, felt retaining	1	L72	SD3/26
EA1.76.25	. . . WASHER, rubber, sealing, cap, container Attaching parts for EA1.76.3 :-	2	Shore 40-45	SD3/27
A25/1C	. Bolt, 2BA	4	-	SD3/28
EA3.76.13	. Clip	2	L72	SD3/29
AGS2001C1/66	. Nut, 2BA	4	-	SD3/30
EA3.76.17	. Washer, pad	4	L72	SD3/31
R EA3.76.299	. TUBE, 0.25" i/d x 0.37" o/d x 4.5" (Mod 5238)	1	DTD 818 L3 Black	
EA3.76.303	. TUBE, 0.5" i/d x 0.62" o/d x 19.0" (Mod 5238)	1	DTD 818 L3 Black	
R EA3.76.305	. TUBE, 0.5" i/d x 0.62" o/d x 4.0" (Mod 5238)	1	DTD 818 L3 Black	
R EA3.76.309	. TUBE, 0.5" i/d x 0.62" o/d x 2.0" (Mod 5238)	1	DTD 818 L3 Black	
R EA3.76.311	. TUBE, 0.5" i/d x 0.62" o/d x 1.5" (Mod 5238)	1	DTD 818 L3 Black	
R EA3.76.313	. TUBE, 0.5" i/d x 0.62" o/d x 20.0" (Mod 5238)	1	DTD 818 L3 Black	
R EA3.76.315	. TUBE, 0.5" i/d x 0.62" o/d x 3.0" (Mod 5238)	1	DTD 818 L3 Black	
R EG4.76.135	. TUBE, 0.5" i/d x 0.62" o/d x 48.0" (Mod 5238)	1	DTD 818 L3 Black	

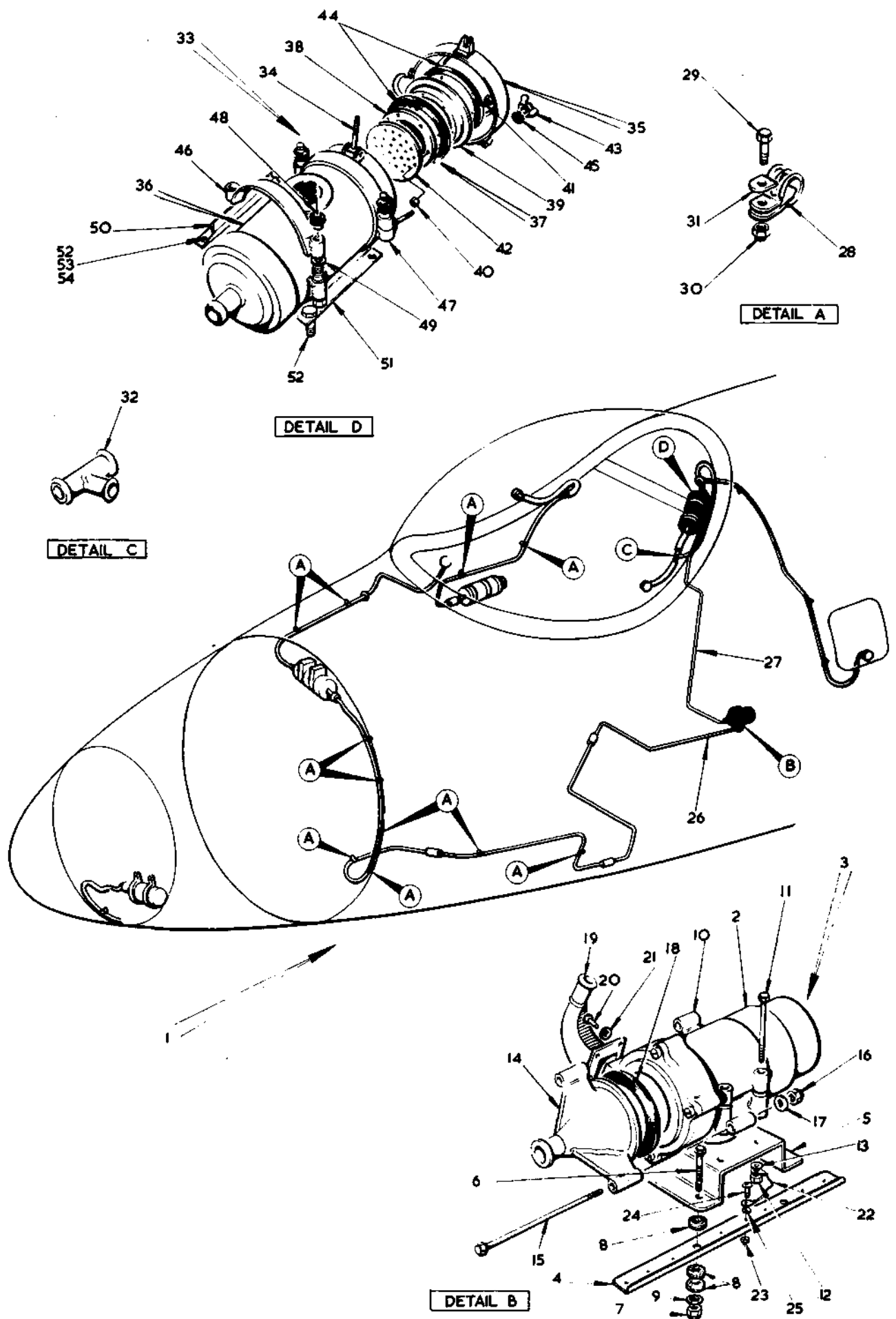


FIG.1 DE-MISTING SYSTEM

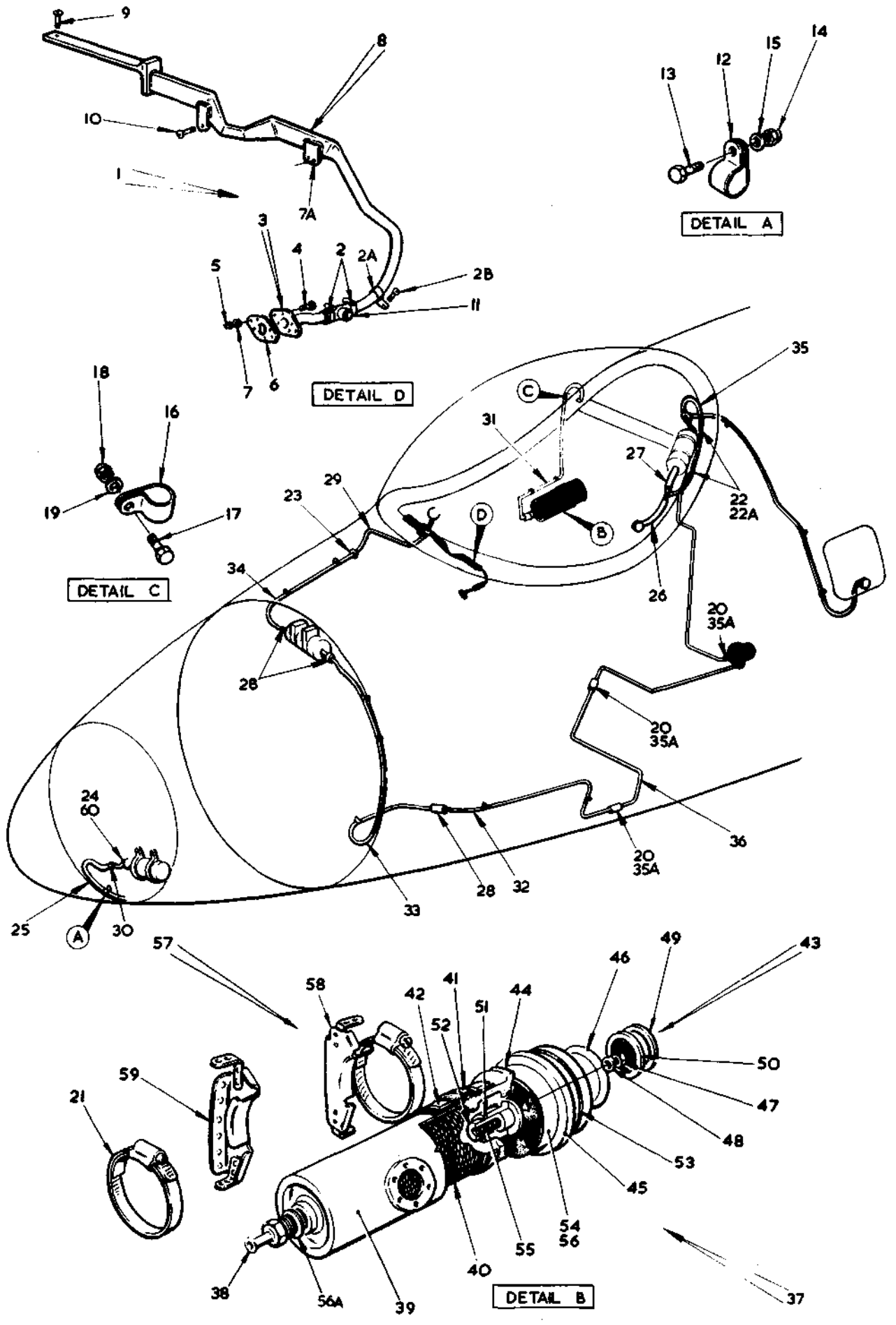


FIG. 2 DE-MISTING SYSTEM

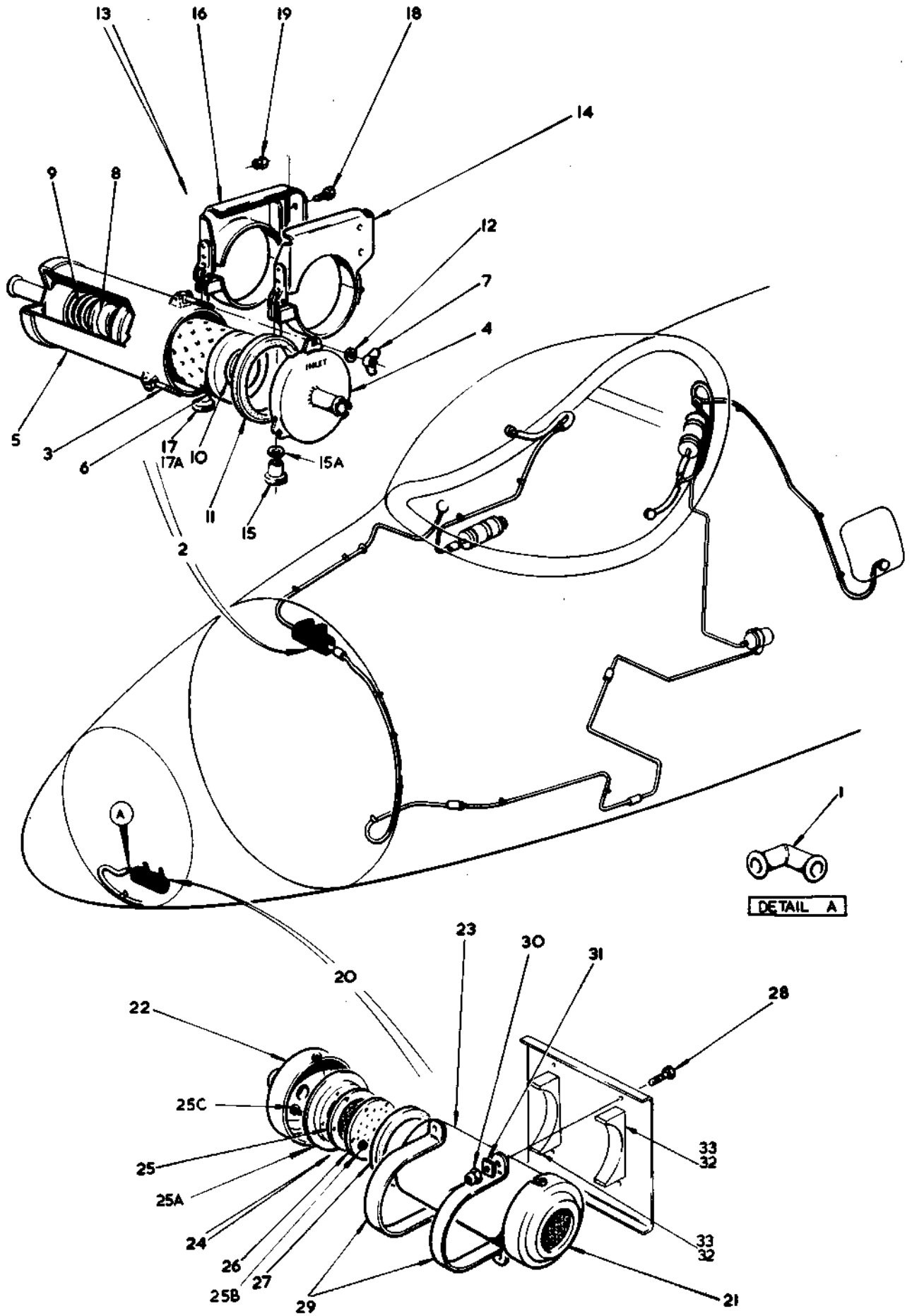


FIG. 3. DE-MISTING SYSTEM

This file was downloaded
from the RTFM Library.

Link: www.scottbouch.com/rtfm

Please see site for usage terms,
and more aircraft documents.

