

SERVICES
FIRE PROTECTION

Part Number	Description	No. Off	Matl. Spec.	Plate No.
	FIRE PROTECTION SYSTEM			
	Consisting of :-			
EA1.60.5	. FIRE PROTECTION IN ENGINE BAY, PORT	1	-	SF2/27
EA1.60.6	. FIRE PROTECTION IN ENGINE BAY, STARBOARD	1	-	SF2/28
	Spares for :-			
EA1.60.51	. . BRACKET, starboard only	1	-	SF2/29
GRAVINER 150D/01/300(2)	. . UNIT, fire detector (Mod 4303)	6	-	SF2/30
	Attaching parts for 150D/01/300(2) :-			
A25/11C	. . Bolt, 2BA	2	-	SF2/31
AGS2002/C/1	. . Nut, stiff, 2BA	2	-	SF2/32
SP15/C	. . Washer	2	-	SF2/33
GRAVINER 150D/01/300(2)	. . UNIT, fire detector (Mod 4303)	1	-	SF2/34
	Attaching parts for 150D/01/300(2) :-			
A25/11C	. . Bolt, 2BA	1	-	SF2/35
A25/21C	. . Bolt, 2BA	1	-	SF2/36
AGS2002/C/1	. . Nut, stiff, 2BA	2	-	SF2/37
EA1.60.43	. . Tube, distance	1	-	SF2/38
SP15/C	. . Washer	2	-	SF2/39
EG4.60.1	. FIRE PROTECTION IN FUSELAGE	-	-	SF1/1
	Spares for :-			
GRAVINER 58311/004	. . CARTRIDGE, electric, No. 1 Mk. 3, 2 pin	1	-	SF1/2
AS4525/8	. . CLIP	4	-	SF1/36
	Attaching parts for AS4525/8:-			
A25/1B	. . Bolt, 4BA	1	-	SF1/37
AGS2001/B/1	. . Nut, stiff, 4BA	1	-	SF1/38
SP15/B	. . Washer	1	-	SF1/39
R AS4525/6	. . CLIP	20	-	SF1/40
	Attaching parts for AS4525/6:-			
A25/2B	. . Bolt, 4BA	1	-	SF1/41
A25/1B	. . Bolt, 4BA	1	-	SF1/42
AGS2001/B/1	. . Nut, stiff, 4BA	1	-	SF1/43
SP47/B	. . Washer, spring	1	-	SF1/44
SP15/B	. . Washer	1	-	SF1/45
AGS1116/C	. . CONE, elbow	1	-	SF1/3
AGS1120/10	. . CONE, tee	1	-	SF1/4
AGS1102/C	. . CONE, union	2	-	SF1/4A
AGS1102/D	. . CONE, union	3	-	SF1/5

SERVICES
FIRE PROTECTION

Part Number	Description	No. Off	Matl. Spec.	Plate No.
AGS1111/C	. . CONE, flanged union Attaching parts for AGS1111/C :-	2	-	SF1/6
A25/1C	. . Bolt, 2BA	3	-	SF1/7
AGS2001/C/1/66	. . Nut, stiff, 2BA	3	-	SF1/8
EA1.60.13	. . Washer, plate	1	-	SF1/9
GRAVINER 57313/001	. . EXTINGUISHER, fire Attaching parts for 57313/001 :-	1	-	SF1/10
A25/15B	. . Bolt, 4BA	4	-	SF1/11
AGS2001/B/1	. . Nut, stiff, 4BA	4	-	SF1/12
A31/C48	. . Screw, 2BA	2	-	SF1/13
EA2.60.25	. . Strap, front	4	-	SF1/14
EA2.60.27	. . Strap, rear	4	-	SF1/15
EA2.60.11	. . Trunnion	2	DTD126A	SF1/16
EA2.60.13	. . Trunnion	2	DTD126A	SF1/17
EA1.60.49	. . FAIRLEAD, assembly, wing support at fuselage Attaching parts for EA1.60.49 :-	2	LFS21	SF1/18
A25/3B	. . Bolt, 4BA	4	-	SF1/19
AGS2001/B/1	. . Nut, stiff, 4BA	4	-	SF1/20
SP15/B	. . Washer	4	-	SF1/21
AGS1142/F	. . NIPPLE, adaptor	2	-	SF1/22
EA1.60.137	. . PIPE, assembly, on bulkhead frame 12 in centre of fuselage	1	-	SF1/23
EA1.60.139	. . PIPE, assembly, from coupling at frame 12 to coupling at frame 13	1	L56	SF1/24
EB6.60.3	. . PIPE, assembly, from coupling at frame 13 to coupling at frame 17	1	-	SF1/25
EB6.60.11	. . PIPE, assembly, from coupling at frame 17 to 4-way coupling	1	-	SF1/25A
EB6.60.15	. . PIPE, assembly, from 4-way coupling to coupling at frame 18	1	-	SF1/26
EB6.60.7	. . PIPE, assembly, from coupling at frame 18 to elbow aft of frame 27	1	-	SF1/26A
EA1.60.165	. . PIPE, assembly, from elbow to tee piece at frame 27	1	L56	SF1/27
EB7.60.15	. . PIPE, assembly, from tee coupling to reducing union at frame 27	1	L56	SF1/28
EB7.60.17	. . PIPE, assembly, from reducing union to fire extinguisher at frame 27	1	L56	SF1/29
EA1.60.167	. . PIPE, assembly, from tee piece to blanking union at frame 27	1	L56	SF1/30
EB6.60.9	. . PIPE, assembly, from 4-way coupling to coupling in wing, port	1	-	SF1/31
EB6.60.13	. . PIPE, assembly, from 4-way coupling to joint coupling	1	-	SF1/32
EB6.60.5	. . PIPE, assembly, from joint coupling to coupling in wing, starboard	1	-	SF1/32A
AGS1143/C	. . PLUG, blanking	2	-	SF1/33
AGS1125/10	. . UNION, 4-way coupling	1	-	SF1/34
AGS1108/C	. . UNION, reducing	1	-	SF1/35

SERVICES
FIRE PROTECTION

Ref. No.	Part No.	Description	No. off	Matl. Spec.	Cl. of Equip M.R. L.M.	Plate No.
	EA1.60.3	. FIRE PROTECTION IN WING, PORT	—	—	—	SF2/1
	EA1.60.4	. FIRE PROTECTION IN WING, STARBOARD	—	—	—	SF2/2
		Spares for:—				
	EA1.60.47	. . . BOTTLE, 12LB. DUAL HEAD EXTINGUISHER, PORT	1	—	A	SF2/40
	EA1.60.48	. . . BOTTLE, 12LB. DUAL HEAD EXTINGUISHER, STARBOARD	1	—	A	SF2/41
		Spares for:—				
12K/9535263	GRAVINER CARTRIDGE, electric, No. 1 Mk. 3, 2 pin	1	—	C	SF2/7
12K/9231213	GRAVINER CARTRIDGE, electric, No. 1 Mk. 3, 3 pin	1	—	C	SF2/8
27N/100	GRAVINER 57325/001 EXTINGUISHER, fire, dual head	1	—	C	SF1/10
3410	EA1.60.121 Bolt, strap	1	S92	C	SF2/11
28D/1010658	A25/1B Bolt, 4BA	6	—	C	SF2/12
28M/1278189	AGS2001/B/1 Nut, stiff, 4BA	6	—	C	SF2/13
1703	EA1.60.33 Strap assembly	1	—	C	SF2/14
1704	EA1.60.21 Trunnion, screwed, 2BA	1	DTD126A	C	SF2/15
1705	EA1.60.23 Trunnion, pin	1	DTD126A	C	SF2/16
3411	EEAS28/2EU Washer	6	—	C	SF2/17
3624	EA1.60.41 BRACKET, support, fire extinguisher	1	—	C	SF2/3
		Attaching parts for EA1.60.41:—				
28D/1010658	A25/1B Bolt, 4BA	4	—	C	SF2/4
28M/1278189	AGS2001/B/1 Nut, stiff, 4BA	4	—	C	SF2/5
3411	EEAS28/2EU Washer	4	—	C	SF2/6
512	EA1.60.39 ELBOW, connection, fire extinguisher bottle	1	—	C	SF2/9
	EB7.60.19 FIRE PROTECTION SYSTEM, ZONE 2, ENGINE BAY, PORT	—	—	—	SF3/1
	EB7.60.20 FIRE PROTECTION SYSTEM, ZONE 2, ENGINE BAY, STARBOARD	—	—	—	SF3/2
		Spares for:—				
21507	EA1.60.117 BLOCK, location, fire bottle head	1	—	C	SF3/3
		Attaching parts for EA1.60.117:—				
28D/1214866	AS1246/4B Bolt, 4BA	4	—	C	SF3/4
28M/1278189	AGS2001/B/1 Nut, stiff, 4BA	4	—	C	SF3/5
28W/9419474	SP15/B Washer	4	—	C	SF3/6
13002	EB7.60.35 BRACKET, FIRE EXTINGUISHER BOTTLE MOUNTING ASSEMBLY	2	—	C	SF3/7
		Spares for:—				
13003	EB7.60.45 STRAP, mounting	2	L72	C	SF3/8
		Attaching parts for EB7.60.45:—				
28D/1212276	A25/15B Bolt, 4BA	2	—	C	SF3/9
28M/1278189	AGS2001/B/1 Nut, stiff, 4BA	2	—	C	SF3/10
28S/1011481	A31/C48 Screw, 2BA	1	—	C	SF3/11
1704	EA1.60.21 Trunnion, screwed, 2BA	1	DTD126A	C	SF3/12
1705	EA1.60.23 Trunnion, plain	1	DTD126A	C	SF3/13
		Attaching parts for EB7.60.35:—				
28D/1010658	A25/1B Bolt, 4BA	14	—	C	SF3/14
28M/1278189	AGS2001/B/1 Nut, stiff, 4BA	14	—	C	SF3/15
28W/9419474	SP15/B Washer	14	—	C	SF3/16

SERVICES
FIRE PROTECTION

Ref. No.	Part No.	Description	No. off	Matl. Spec.	Cl. of Equip M.R. L.M.	Plate No.
25564	EB7.60.37	. . . BRACKET, location block support	1	—	C	SF3/17
25565	EB7.60.38	. . . BRACKET, location block support	1	—	C	SF3/18
		Attaching parts for EB7.60.37 and EB7.60.38:—				
28D/1010658	A25/1B	. . . Bolt, 4BA	3	—	C	SF3/19
28M/1278189	AGS2001/B/1	. . . Nut, stiff, 4BA	3	—	C	SF3/20
28W/9419474	SP15/B	. . . Washer	3	—	C	SF3/21
	GRAVINER					
12K/9635263	58311/004	. . . CARTRIDGE, No. 1 Mk. 3	1	—	C	SF3/22
17529	EEAS143/23	. . . CLIP, pipe, 5/8" o/d	2	L72	C	SF3/23
		Attaching parts for EEAS143/23:—				
28D/9436920	A25/1C	. . . Bolt, 2BA	1	—	C	SF3/24
28M/1012015	AGS2001/C/1/66	. . . Nut, stiff, 2BA	1	—	C	SF3/25
18852	EEAS21/2DR	. . . Washer	1	L72	C	SF3/26
13004	EB7.60.29	. . . CLIP, pipe, special	1	—	C	SF3/27
13005	EB7.60.31	. . . CLIP, pipe, special	3	—	C	SF3/28
		Attaching parts for EB7.60.29 and EB7.60.31:—				
28D/9435710	A25/11C	. . . Bolt, 2BA	2	—	C	SF3/29
28M/1012015	AGS2001/C/1/66	. . . Nut, stiff, 2BA	2	—	C	SF3/30
28W/9419402	SP13/C	. . . Washer	2	—	C	SF3/31
	GRAVINER					
27N/100	57313/001	. . . EXTINGUISHER, fire, type 12A	1	—	A	SF3/32
28F/9439897	AGS1142/E	. . . NIPPLE, adaptor	3	—	C	SF3/33
28F/8011897	AGS1142/F	. . . NIPPLE, adaptor	4	—	C	SF3/34
13006	EB7.60.21	. . . PIPE, assembly, from fire extinguisher bottle to bulkhead connection, port	1	—	C	SF3/35
13012	EB7.60.22	. . . PIPE, assembly, from fire extinguisher bottle to bulkhead connection, starboard	1	—	C	SF3/36
13007	EB7.60.23	. . . PIPE, assembly, top spray, from bulkhead connection to reducing union, port	1	—	C	SF3/37
13013	EB7.60.24	. . . PIPE, assembly, top spray, from bulkhead connection to reducing union, starboard	1	—	C	SF3/38
13008	EB7.60.25	. . . PIPE, assembly, side spray, from reducing union to pipe coupling, port	1	—	C	SF3/39
13014	EB7.60.26	. . . PIPE, assembly, side spray, from reducing union to pipe coupling, starboard	1	—	C	SF3/40
13009	EB7.60.27	. . . PIPE, assembly, bottom spray, from pipe coupling, port	1	—	C	SF3/41
13015	EB7.60.28	. . . PIPE, assembly, bottom spray, from pipe coupling, starboard	1	—	C	SF3/42
21501	EA1.60.135	. . . PLATE	1	DTD610	C	SF3/49
28E/4664042	AGS1143/E	. . . PLUG, cone	1	—	C	SF3/50

FIRE PROTECTION

Ref. No.	Part No.	Description 1 2 3 4 5 6	No. off	Matl. Spec.	Cl. of	Plate No.
					Equip M.R. L.M.	
25566	EA1.60.55	. . . UNION, bulkhead, inboard engine rib (Make from ref. 28F/9157486) Attaching parts for EA1.60.55:—	1	—	C	SF3/43
28D/9133011	A25/2C	. . . Bolt, 2BA	3	—	C	SF3/44
28M/1012015	AGS2001C1/66	. . . Nut, stiff, 2BA	3	—	C	SF3/45
28W/9419402	SP13C	. . . Washer	3	—	C	SF3/46
13010	EB7.60.39	. . . UNION, special reducing	1	S110	C	SF3/47
13011	EB7.60.41	. . . UNION, pipe coupling	1	S110	C	SF3/48
513	EA1.60.3A	. . . PIPE assembly, from wing/fuselage joint to fire extinguisher bottle, port	1	L56	C	SF2/18
21403	EA1.60.163	. . . PIPE assembly, from wing/fuselage joint to fire extinguisher bottle, starboard	1	L56	C	SF2/19
27422	EB7.60.11	. . . PIPE assembly, from fire extinguisher bottle to inboard engine rib connection, port	1	L56	C	SF2/20
27423	EB7.60.12	. . . PIPE assembly, from fire extinguisher bottle to inboard engine rib connection, starboard	1	L56	C	SF2/21
25566	EA1.60.55	. . . UNION, bulkhead, inboard engine rib (Make from ref. 28F/9157486) Attaching parts for EA1.60.55:—	1	—	C	SF2/22
28D/9133011	A25/2C	. . . Bolt, 2BA	3	—	C	SF2/23
28M/1012015	AGS2001C1/66	. . . Nut, stiff, 2BA	3	—	C	SF2/24
7779	EA1.60.13	. . . Tab, locking	2	—	C	SF2/26
28W/9419475	SP15C	. . . Washer	3	—	C	SF2/25

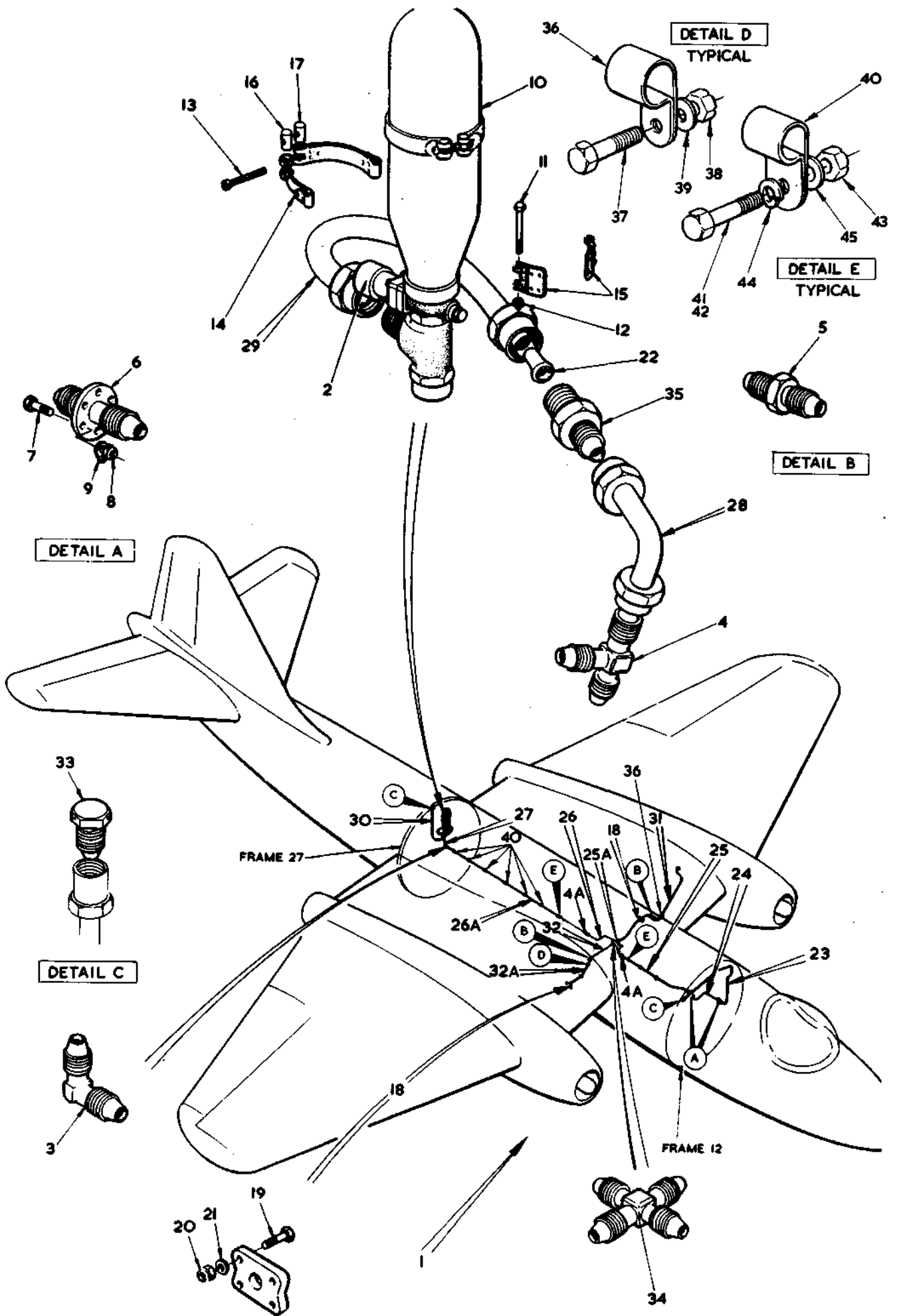


FIG. 1. FIRE PROTECTION SYSTEM

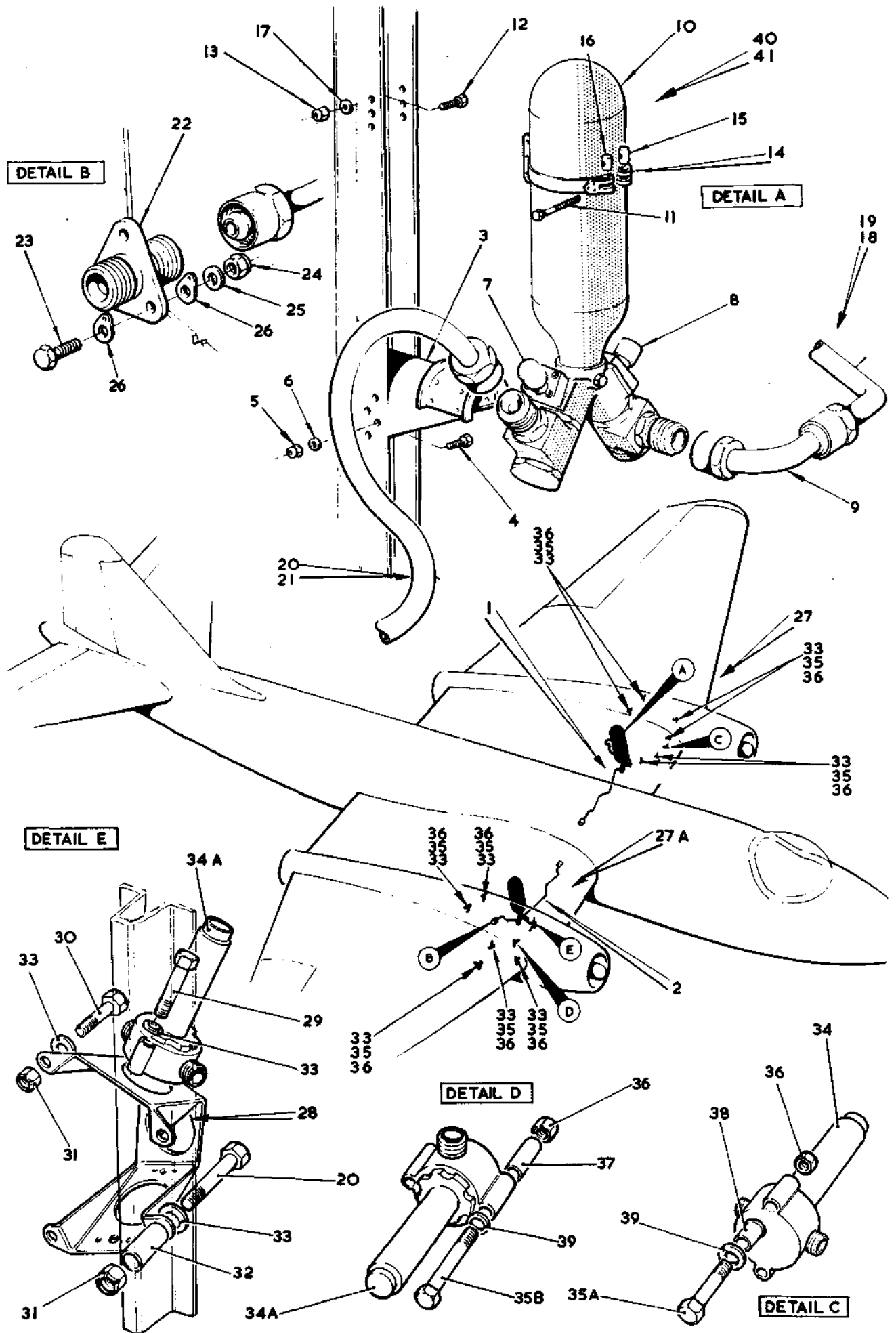


FIG. 2. FIRE PROTECTION SYSTEM

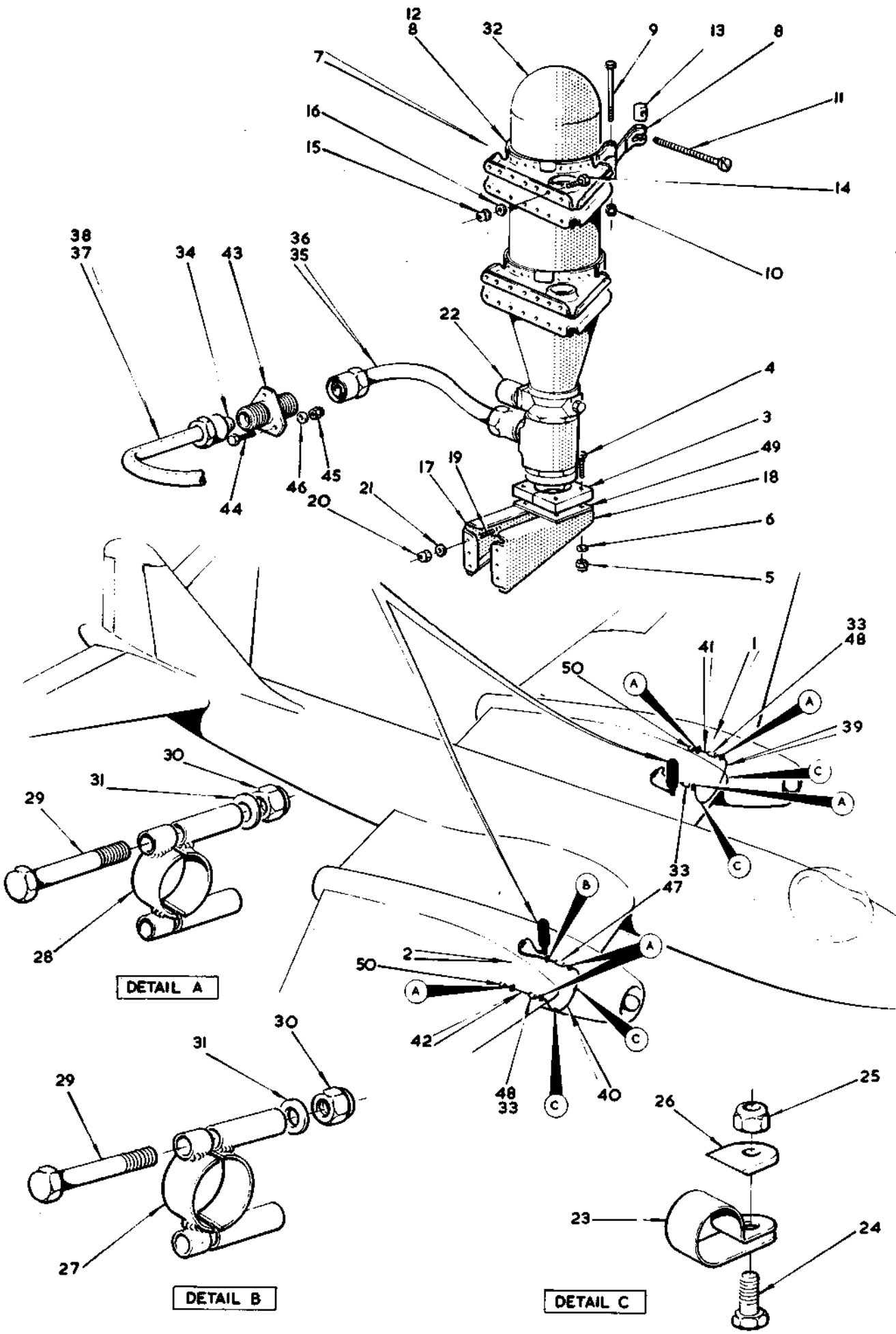


FIG.3 FIRE PROTECTION SYSTEM

This file was downloaded
from the RTFM Library.

Link: www.scottbouch.com/rtfm

Please see site for usage terms,
and more aircraft documents.

