

AP101B-0415-3A

SERVICES  
FUEL SYSTEM

Part Number	Description	No. Off	Matl. Spec.	Plate No.	
					1
—	FUEL SYSTEM INSTALLATION	—	—		
	Consisting of:—				
EA3.57.67	FUEL SYSTEM IN CENTRE FUSELAGE, ASSEMBLY	—	—		
	Spares for:—				
AS3360B5C	CABLE, bonding (Mod. 5339)	3	—	SG10/42	
EA3.57.435	CAP, FILLER, No. 1 AND No 2 FUEL TANK ASSEMBLY	2	—	SG1/32	
	Spares for:—				
EA1.57.133	ADAPTOR, filler cap, drain	1	L40 or L64	SG1/33	
AS2590	CAP, FILLER, ASSEMBLY	1	—	SG1/34	
	Consisting of:—				
AS2591	BASE	1	—	SG1/35	
AS2592	CAP	1	—	SG1/36	
AS5364	RING, sealing	1	—	SG1/37	
	Attaching parts for AS2590:—				
A25-2C	Bolt, 2BA	10	—	SG1/38	
AGS2002C1	Nut, 2BA	10	—	SG1/39	
EA1.57.131	Ring, sealing	1	Neo-K-Tex	SG1/40	
EA2.56.71	Screw, csk. head, 2BA	15	S11	SG1/41	
SP16C	Washer	10	—	SG1/39A	
GMA2070	CHAIN, brass link (SEM 047)	QR	—		
SP91A	CLIP	1	—	SG1/42	
EEAS164-4-35	HOSE, ribber, 1-4" i/d x 1-2" o/d x 3 1-2" long	1	DTD625	SG1/43	
AS3033	PACKING	1	—	SG1/44	
EA1.60.13	PLATE	1	—	SG1/45	
AGS566C	PLUG	1	—	SG1/46	
EA1.57.125	RING, filler cap attachment	1	L59	SG1/47	
	Attaching parts for EA1.57.125:—				
AGS2002C1	Nut, 2BA	16	—	SG1/48	
EA1.57.129	Ring, sealing	1	Neo-K-Tex	SG1/49	
SP16C	Washer	16	—	SG1/49A	
TERRY					
169-5-8	RING, split (SEM 047)	2	—		
AGS164F	WASHER, jointing	1	—	SG1/50	
AGS164A	WASHER, jointing	1	—	SG1/51	
EA3.57.437	CAP, FILLER, No 3 FUEL TANK, ASSEMBLY	1	—	SG1/52	
	Spares for:—				
EA1.57.133	ADAPTOR, filler cap, drain	1	L40 or L64	SG1/33	
AS2590	CAP, FILLER, ASSEMBLY	1	—	SG1/34	
	Consisting of:—				
AS2591	BASE	1	—	SG1/35	
AS2592	CAP	1	—	SG1/36	
AS5364	RING, sealing	1	—	SG1/37	
	Attaching parts for AS2590:—				
A25-2C	Bolt, 2BA	10	—	SG1/38	
AGS2002C1	Nut, 2BA	10	—	SG1/39	
EA1.57.131	Ring, sealing	1	Neo-K-Tex	SG1/40	
EA2.56.71	Screw, csk. head, 2BA	15	S11	SG1/41	
SP16C	Washer	10	—	SG1/39A	
GMA2070	CHAIN, brass link (SEM 047)	QR	—		

SERVICES  
FUEL SYSTEM

Part Number	Description	No. Off	Matl. Spec.	Plate No.
SP91A	. . . CLIP	1	—	SG1/42
EEAS.164/4/35	. . . HOSE, rubber, ¼" i/d x ½" o/d x 3¾" long	1	OTD625	SG1/43
AS3033	. . . PACKING	1	—	SG1/44
EA1.60.13	. . . PLATE	1	—	SG1/45
AGS566C	. . . PLUG	1	—	SG1/46
EA1.57.127	. . . RING, filler cap attachment Attaching parts for EA1.57.127 :—	1	L59	SG1/53
AGS2002C1	. . . Nut, 2BA	16	—	SG1/48
EA1.57.129	. . . Ring, sealing	1	Neo-K-Tex	SG1/49
SP16C	. . . Washer	16	—	SG1/49A
TERRY 169 — 5/8	. . . RING, split, filler cap restraint (SEM 047)	2	—	SG1/54
AGS164F	. . . WASHER, jointing	1	—	SG1/50
AGS164A	. . . WASHER, jointing	1	—	SG1/51
AGS1661E	. . . CLIP, bonding (Mod. 5339)	1	—	SG10/1
AGS1661H	. . . CLIP, bonding	3	—	SG10/2
AGS1661K	. . . CLIP, bonding	2	—	SG10/3
SP91J	. . . CLIP, hose	4	—	SG10/5
SP91L	. . . CLIP, hose	2	—	SG10/6
EA3.57.401	. . . CLIP, VENT PIPE, Assembly Spares for :—	1	—	SG10/7
EA3.57.403	. . . BRACKET	1	—	SG10/8
EA3.57.405	. . . BRACKET	1	—	SG10/8A
EA3.57.407	. . . CLIP, half	1	—	SG10/9
EA3.57.409	. . . CLIP, half Attaching parts for EA3.57.407 and EA3.57.409 :—	1	—	SG10/9A
A25/3C	. . . Bolt, 2BA	2	—	SG10/10
EA3.57.115	. . . CLIP, venting pipe Attaching parts for EA3.57.115 :—	2	—	SG10/11
A25/1C	. . . Bolt	4	—	SG10/11A
A25/4C	. . . Bolt	1	—	SG10/12
AGS2001C1/66	. . . Nut, stiff, 2BA	1	—	SG10/13
EA3.57.421	. . . Washer, packing	2	L72	SG10/14
EA3.57.253	. . . DUCT, venting, No. 1 tank	1	—	SG10/17
EA3.57.255	. . . DUCT, venting, No. 2 tank	1	—	SG10/18
or EA3.57.427	. . . DUCT, venting, No. 2 tank	1	—	
EA3.57.103	. . . ELBOW, venting, No. 1 fuel tank Attaching parts for EA3.57.103:—	1	L52	SG10/20
AGS2001C1/66	. . . Nut, stiff, 2BA	8	—	SG10/21
EA1.57.59	. . . Washer, joint	1	Neo-K-Tex	SG10/22

SERVICES  
FUEL SYSTEM

Part Number	Description	No. Off	Mati. Spec.	Plate No.
EA3.57.521	FELTING PROTECTION, NO. 3 FUEL TANK ASSEMBLY Spares for :-	-	-	SG2/1
EA1.57.373	PAD, 3/16" thick x 4.5" dia (Make from DTD590 RS4)	24	-	SG2/2
EA1.57.829	PAD, 1/4" thick x 4" dia (Make from DTD590 RS4)	1	-	SG2/3
EA3.57.521A	PAD (Make from DTD590 RS4)	1	-	SG2/4
EA3.57.521B	PAD (Make from DTD590 RS4)	1	-	SG2/5
EA3.57.521C	PAD (Make from DTD590 RS4)	1	-	SG2/6
EA3.57.521D	PAD (Make from DTD590 RS4)	2	-	SG2/7
EA3.57.521E	PAD (Make from DTD590 RS4)	1	-	SG2/8
EA3.57.521F	PAD (Make from DTD590 RS4)	4	-	SG2/9
EA3.57.521G	PAD (Make from DTD590 RS4)	2	-	SG2/10
EA3.57.521H	PAD (Make from DTD590 RS4)	1	-	SG2/11
EB6.57.3	FUEL, DELIVERY SYSTEM, ASSEMBLY Spares for :-	-	-	
SELF PRIMING ENG. CO. LTD. SPE1235	BOX, JUNCTION, ASSEMBLY Spares for :-	2	-	SG3/3
SPE1238	ADAPTOR, testing (Pre-Mod 3295)	1	-	SG3/4
EB6.57.143	ADAPTOR, testing (Mod 3295)	1	-	
SPE1229	GASKET, jointing	1	-	SG3/5
SPE1230	WASHER, drain valve	1	-	
AGS2001C3	Attaching parts for SPE1235 :- Nut, stiff, 2BA	4	-	SG6/8
EEAS20/1DR	Tab, locking	4	L72	SG6/9
SP15C	Washer	4	-	SG6/9A
EA1.57.1317	CLIP, half top, fuel pipe Attaching parts for EA1.57.1317 :-	12	L72	SG6/10
A25/2B	Bolt, 4BA	2	-	SG6/11
AGS2001B1	Nut, stiff, 4BA	2	-	SG6/12
SP15B	Washer	2	-	SG6/12A
R AS4525/20	CLIP, bonding	16	-	SG6/13
SP91J	CLIP, hose	16	-	SG6/14
EA1.57.201	CLIP, hose, lower, fuel pipe at floor girder 16, port side	1	L59	SG6/15
EA1.57.202	CLIP, hose, lower, fuel pipe at floor girder 16, starboard side	1	L59	SG6/16
EA1.57.203	CLIP, hose, fuel pipe at floor girders 17, 19, and 20	6	L59	SG6/17
EA1.57.205	CLIP, hose, fuel pipe at frame 21, port side	1	L59	SG6/18
EA1.57.206	CLIP, hose, fuel pipe at frame 21, starboard side	1	L59	SG6/19
EA1.57.207	CLIP, hose, fuel pipe at frame 22, port side	1	L59	SG6/20
EA1.57.208	CLIP, hose, fuel pipe at frame 22, starboard side	1	L59	SG6/21
A25/1B	Attaching parts for EA1.57.201, EA1.57.202, EA1.57.203, EA1.57.205, EA1.57.206, EA1.57.207 and EA1.57.208 :- Bolt, 4BA	2	-	SG6/22
AGS2001B1	Nut, stiff, 4BA	2	-	SG6/23
SP15B	Washer	2	-	SG6/23A

SERVICES  
FUEL SYSTEM

Part Number	Description						No. Off	Matl. Spec.	Plate No.
	1	2	3	4	5	6			
EEAS164/20/30	. . .	. . .	. . .	. . .	. . .	. . .	8	DTD625	SG6/24
AGS1142J	. . .	. . .	. . .	. . .	. . .	. . .	10	-	SG6/25
SP90C5	. . .	. . .	. . .	. . .	. . .	. . .	2	-	SG6/25A
EA1.57.105	. . .	. . .	. . .	. . .	. . .	. . .	1	L54	SG6/26
EA1.57.107	. . .	. . .	. . .	. . .	. . .	. . .	2	L56	SG6/27
EA1.57.109	. . .	. . .	. . .	. . .	. . .	. . .	1	L56	SG6/28
EA1.57.110	. . .	. . .	. . .	. . .	. . .	. . .	1	L56	SG6/29
EA1.57.715	. . .	. . .	. . .	. . .	. . .	. . .	1	L56	SG6/32
EA1.57.717	. . .	. . .	. . .	. . .	. . .	. . .	1	L56	SG6/33
EA1.57.1267	. . .	. . .	. . .	. . .	. . .	. . .	1	L56	SG6/35
EA1.57.1269	. . .	. . .	. . .	. . .	. . .	. . .	1	L56	SG6/34
EA3.57.117	. . .	. . .	. . .	. . .	. . .	. . .	1	L56	SG6/30
EB6.57.63	. . .	. . .	. . .	. . .	. . .	. . .	1	L54	SG6/31
EB6.57.65	. . .	. . .	. . .	. . .	. . .	. . .	1	L54	SG6/39
AGS565B	. . .	. . .	. . .	. . .	. . .	. . .	2	-	SG6/36
AGS1140C	. . .	. . .	. . .	. . .	. . .	. . .	2	-	SG6/37
EA3.57.207	. . .	. . .	. . .	. . .	. . .	. . .	1	-	SG3/1
E.E.CO. LTD. BRADFORD TYPE 201 Mk. 8	. . . . .	. . . . .	. . . . .	. . . . .	. . . . .	. . . . .	1	-	SG3/2
AE200160	. . . . .	. . . . .	. . . . .	. . . . .	. . . . .	. . . . .	1	-	SG3/3
5W4489229	. . . . .	. . . . .	. . . . .	. . . . .	. . . . .	. . . . .	1	-	SG3/4
SAUNDERS E.42.F.10	. . . . .	. . . . .	. . . . .	. . . . .	. . . . .	. . . . .	1	-	SG3/5
AGS2001C1/66	. . . . .	. . . . .	. . . . .	. . . . .	. . . . .	. . . . .	2	-	SG3/6
A25/1C	. . . . .	. . . . .	. . . . .	. . . . .	. . . . .	. . . . .	2	-	SG3/7
SP47C	. . . . .	. . . . .	. . . . .	. . . . .	. . . . .	. . . . .	2	-	SG3/7A
SP15C	. . . . .	. . . . .	. . . . .	. . . . .	. . . . .	. . . . .	2	-	SG3/7B
EA1.57.191	. . . . .	. . . . .	. . . . .	. . . . .	. . . . .	. . . . .	1	L40	SG3/8
EA1.57.617	. . . . .	. . . . .	. . . . .	. . . . .	. . . . .	. . . . .	1	-	SG3/9
A27CP	. . . . .	. . . . .	. . . . .	. . . . .	. . . . .	. . . . .	16	-	SG3/10
SP47C	. . . . .	. . . . .	. . . . .	. . . . .	. . . . .	. . . . .	16	-	SG3/10A

SERVICES  
FUEL SYSTEM

Part Number	Description						No. Off	Matl. Spec.	Plate No.
	1	2	3	4	5	6			
EA1.57.1315	.	.	.	.	.	.	1	L72	SG3/11
EA1.57.561	.	.	.	.	.	.	2	—	SG3/12
SP47C	.	.	.	.	.	.	2	—	SG3/12A
SP15C	.	.	.	.	.	.	2	—	SG3/12B
EA1.57.621	.	.	.	.	.	.	1	L72	SG3/13
A25/1C	.	.	.	.	.	.	14	—	SG3/14
A25/2C	.	.	.	.	.	.	1	—	SG3/15
AGS2001C1/66	.	.	.	.	.	.	5	—	SG3/16
SP15C	.	.	.	.	.	.	15	—	SG3/16A
EA1.57.601	.	.	.	.	.	.	1	DTD687	SG3/17
EA1.57.605	.	.	.	.	.	.	4	DTD126	SG3/18
AGS2001E1/66	.	.	.	.	.	.	4	—	SG3/19
SP15E	.	.	.	.	.	.	4	—	SG3/19A
EEAS143/6	.	.	.	.	.	.	1	L72	SG3/20
A25/2B	.	.	.	.	.	.	1	—	SG3/21
AGS2001/B/1	.	.	.	.	.	.	1	—	SG3/22
SP13B	.	.	.	.	.	.	1	—	SG3/22A
AGS952B	.	.	.	.	.	.	1	—	SG3/23
EEAS164/4/15	.	.	.	.	.	.	1	DTD625	SG3/24
AGS1142/B	.	.	.	.	.	.	1	—	SG3/25
EA1.57.627	.	.	.	.	.	.	1	L56	SG3/26
SPE21456	.	.	.	.	.	.	1	—	SG3/27
or									
R SPE21442	.	.	.	.	.	.			
AGS2002C1	.	.	.	.	.	.	14	—	SG3/28
EEAS28/4BU	.	.	.	.	.	.	2	—	SG3/29
SP15C	.	.	.	.	.	.	12	—	SG3/29A
AGS904B	.	.	.	.	.	.	1	—	SG3/30
AGS1132B	.	.	.	.	.	.	1	—	SG3/31
AGS1135B	.	.	.	.	.	.	1	—	SG3/32
AGS164F	.	.	.	.	.	.	2	—	SG3/32A
EA1.57.31	.	.	.	.	.	.	1	Neo-K-Tex	SG3/33
EA1.57.29	.	.	.	.	.	.	1	Neo-K-Tex	SG3/34
EA3.57.527	.	.	.	.	.	.	1	L17	SG3/35
EA3.57.529	.	.	.	.	.	.	1	L17	SG3/36

## SERVICES

## FUEL SYSTEM

Part Number	1 2 3 4 5 6	Description	No. Off	Mati. Spec.	Plate No.
EA3.57.209		PUMP, FUEL, No. 1, STARBOARD, ASSEMBLY (FIG. 3) Spares for:-	1	-	SG3/37
E.E.Co. LTD. BRADFORD TYPE201.MK.8		ACTUATOR AND FUEL COCK, ASSEMBLY Consisting of:-	1	-	SG3/2
AE200160		ACTUATOR, type 200 MK.1	1	-	SG3/3
R 5W/4489229 SAUNDERS		ADAPTOR, c/w label	1	-	SG3/4
E.42.F10		COCK, fuel	1	-	SG3/5
AGS2001C1/66		NUT, stiff, 2BA Attaching parts for TYPE 201.MK.8:-	2	-	SG3/6
A25/1C		Bolt, 2BA	2	-	SG3/7
SP47C		Washer, spring	2	-	SG3/7A
SP15C		Washer	2	-	SG3/7B
EB6.57.125		ADAPTOR, fuel pump cock	1	L40	SG3/8
EA1.57.617		ADAPTOR, fuel pump mounting Attaching parts for EA1.57.617:-	1	-	SG3/9
A27CP		Nut, 2BA	16	-	SG3/10
SP47C		Washer, spring	16	-	SG3/10A
EA1.57.607		BRACKET, actuator support Attaching parts for EA1.57.607:-	1	L72	SG3/38
EA1.57.611		Bolt, assembly, special	1	-	SG3/39
AGS2001C1/66		Nut, stiff, 2BA	1	-	SG3/40
SP15C		Washer	1	-	SG3/40A
EA1.57.603		BRACKET, channel, fuel pump mounting Attaching parts for EA1.57.603:-	1	L72	SG3/41
A25/1C		Bolt, 2 BA	5	-	SG3/14
A25/2C		Bolt, 2BA	10	-	SG3/15
AGS2001C1/66		Nut, stiff, 2BA	10	-	SG3/16
SP15C		Washer	15	-	SG3/16A
EA1.57.601		BRACKET, plate, fuel pump mounting Attaching parts for EA1.57.601:-	1	DTD687	SG3/17
EA1.57.605		Bolt, 1/4" BSF	4	DTD126	SG3/18
AGS2001E1/66		Nut, stiff, 1/4" BSF	4	-	SG3/19
EEAS.28/30ER		Washer	4	-	SG3/19A
EA1.57.609		CHANNEL, assembly	1	-	SG3/19B
EEAS143/6		CLIP, pipe, single Attaching parts for EEAS143/6:-	1	L72	SG3/20
A25/1B		Bolt, 4BA	1	-	SG3/21
AGS2001B1		Nut, stiff, 4BA	1	-	SG3/22
SP13B		Washer	1	-	SG3/22A
AGS952B		COLLAR	1	-	SG3/23
EEAS164/4/15		HOSE, rubber, 1/4" i/d x 1/2" o/d x 1 1/2" long	1	DTD625	SG3/24

SERVICES  
FUEL SYSTEM

Part Number	Description						No. Off	Mati. Spec.	Plate No.
	1	2	3	4	5	6			
AGS1142/B	.	.	.	.	.	.	1	—	SG3/25
EA1.57.625	.	.	.	.	.	.	1	L56	SG3/42
SPE21456	.	.	.	.	.	.	1	—	SG3/27
or									
SPE21442	.	.	.	.	.	.			
	.	.	.	.	.	.			
AGS2002C1	.	.	.	.	.	.	14	—	SG3/28
EEAS28/48U	.	.	.	.	.	.	2	—	SG3/29
SP15C	.	.	.	.	.	.	12	—	SG3/29A
AGS904B	.	.	.	.	.	.	1	—	SG3/30
AGS1132B	.	.	.	.	.	.	1	—	SG3/31
	.	.	.	.	.	.			
AGS1135B	.	.	.	.	.	.	1	—	SG3/32
AGS164F	.	.	.	.	.	.	2	—	SG3/32A
EA1.57.31	.	.	.	.	.	.	1	Neo-K-Tex	SG3/33
EA1.57.29	.	.	.	.	.	.	1	Neo-K-Tex	SG3/34
EA3.57.527	.	.	.	.	.	.	1	L17	SG3/35
	.	.	.	.	.	.			
EA3.57.529	.	.	.	.	.	.	1	L17	SG3/36
EA3.57.211	.	.	.	.	.	.	1	—	SG4/43
	.	.	.	.	.	.			
E.E.Co. LTD.									
BRADFORD									
TYPE.201MK.8	.	.	.	.	.	.	1	—	SG4/2
	.	.	.	.	.	.			
AE200160	.	.	.	.	.	.	1	—	SG4/3
AEC201349	.	.	.	.	.	.	1	—	SG4/4
SAUNDERS									
E42.F10	.	.	.	.	.	.	1	—	SG4/5
AGS2001C1/66	.	.	.	.	.	.	2	—	SG4/6
	.	.	.	.	.	.			
A25/1C	.	.	.	.	.	.	2	—	SG4/7
SP47C	.	.	.	.	.	.	2	—	SG4/7A
SP15C	.	.	.	.	.	.	2	—	SG4/7B
	.	.	.	.	.	.			
EB6.57.125	.	.	.	.	.	.	1	L40	SG4/8
EA1.57.571	.	.	.	.	.	.	1	—	SG4/44
	.	.	.	.	.	.			
A27CP	.	.	.	.	.	.	16	—	SG4/10
SP47C	.	.	.	.	.	.	16	—	SG4/10A
	.	.	.	.	.	.			
EA1.57.709	.	.	.	.	.	.	1	—	SG4/45
	.	.	.	.	.	.			
AS1242/1C	.	.	.	.	.	.	3	—	SG4/46
AGS2001C1/66	.	.	.	.	.	.	3	—	SG4/47
SP15C	.	.	.	.	.	.	3	—	SG4/47A

SERVICES  
FUEL SYSTEM

Part Number	Description						No. Off	Mati. Spec.	Plate No.
	1	2	3	4	5	6			
EA1.57.576	.	.	.	.	BRACKET, channel assembly, fuel pump mounting	1	—	SG4/48	
A25/1C	.	.	.	.	Attaching parts for EA1.57.576:—				
AGS2001C1/66	.	.	.	.	Bolt, 2BA	12	—	SG4/49	
SP15C	.	.	.	.	Nut, stiff, 2BA	12	—	SG4/50	
	.	.	.	.	Washer	12	—	SG4/50A	
EA1.57.589	.	.	.	.	BRACKET, plate, angle, fuel pump mounting	1	DTD687	SG4/51	
EA1.57.605	.	.	.	.	Attaching parts for EA1.57.589:—				
AGS2001E1/66	.	.	.	.	Bolt, 1/4" BSF	4	DTD126	SG4/18	
SP15E	.	.	.	.	Nut, stiff, 1/4" BSF	1	—	SG4/19	
	.	.	.	.	Washer	4	—	SG4/19A	
EEAS143/6	.	.	.	.	CLIP, pipe, single	1	L72	SG4/20	
AS1242/1B	.	.	.	.	Attaching parts for EEAS143/6:—				
AGS2001B1	.	.	.	.	Bolt, 4BA	1	—	SG4/21	
SP13B	.	.	.	.	Nut, stiff, 4BA	1	—	SG4/22	
	.	.	.	.	Washer	1	—	SG4/22A	
AGS952/B	.	.	.	.	COLLAR	1	—	SG4/23	
EEAS164/4/15	.	.	.	.	HOSE, rubber, 1/4" i/d x 1/2" o/d x 1 1/2" long	1	DTD625	SG4/24	
AGS1142B	.	.	.	.	NIPPLE, adaptor	1	—	SG4/25	
EA1.57.629	.	.	.	.	PIPE, drain, 1/4" o/d x 20 SWG	1	L56	SG4/52	
R SPE21456	.	.	.	.	PUMP, fuel, type PUL1003.Mk.5	1	—	SG4/27	
or									
R SPE21442	.	.	.	.	PUMP, fuel, type SPE1003.Mk.4				
	.	.	.	.	Attaching parts for SPE21456 or SPE21442:—				
AGS2002C1	.	.	.	.	Nut, stiff, 2BA	14	—	SG4/28	
EEAS28/4BU	.	.	.	.	Washer	2	—	SG4/29	
SP15C	.	.	.	.	Washer	12	—	SG4/29A	
AGS904B	.	.	.	.	SLEEVE, outer	1	—	SG4/30	
AGS1132B	.	.	.	.	UNION, banjo body	1	—	SG4/31	
	.	.	.	.	Attaching parts for AGS1132B:—				
AGS1135B	.	.	.	.	Bolt, banjo	1	—	SG4/32	
AGS164F	.	.	.	.	Washer	2	—	SG4/32A	
EA1.57.31	.	.	.	.	WASHER, under fuel pump mounting adaptor	1	Neo-K-Tex	SG4/33	
EA1.57.29	.	.	.	.	WASHER, between fuel pump and mounting	1	Neo-K-Tex	SG4/34	
EA3.57.527	.	.	.	.	WASHER, between fuel pump and fuel cock	1	L17	SG4/35	
	.	.	.	.	adaptor				
EA3.57.529	.	.	.	.	WASHER, between fuel cock and adaptor	1	L17	SG4/36	

## SERVICES

## FUEL SYSTEM

Part Number	1 2 3 4 5 6	Description	No. Off	Mati. Spec.	Plate No.
EA3.57.213	. . . . .	PUMP, FUEL No. 2, STARBOARD, ASSEMBLY (FIG. 4) Spares for:—	1	—	SG4/53
TYPE201.MK.8	. . . . .	ACTUATOR AND FUEL COCK, ASSEMBLY Consisting of:—	1	—	SG4/2
AE200160	. . . . .	ACTUATOR, type 200.MK.1	1	—	SG4/3
AEC201349	. . . . .	ADAPTOR, c/w label	1	—	SG4/4
E.42.F10	. . . . .	COCK, fuel	1	—	SG4/5
AGS2001C1/66	. . . . .	NUT, stiff, 2BA Attaching parts for Type 201.MK.8:—	2	—	SG4/6
A25/1C	. . . . .	Bolt, 2BA	3	—	SG4/7
SP47C	. . . . .	Washer, 2BA, spring	3	—	SG4/7A
SP15C	. . . . .	Washer, 2BA	3	—	SG4/7B
EB6.57.125	. . . . .	ADAPTOR, fuel pump cock	1	L40	SG4/8
EA1.57.571	. . . . .	ADAPTOR, fuel pump mounting Attaching parts for EA1.57.571:—	1	—	SG4/44
A27CP	. . . . .	Nut, 2BA	16	—	SG4/10
SP47C	. . . . .	Washer	16	—	SG4/10A
EA1.57.591	. . . . .	BRACKET, actuator support Attaching parts for EA1.57.591:—	1	—	SG4/54
A25/1C	. . . . .	Bolt, 2BA	1	—	SG4/58
AGS2001C1/66	. . . . .	Nut, 2BA	1	—	SG4/58A
SP15C	. . . . .	Washer	1	—	SG4/58B
EA1.57.575	. . . . .	BRACKET, channel, assembly, fuel pump mounting Attaching parts for EA1.57.575:—	1	—	SG4/55
A25/1C	. . . . .	Bolt, 2BA	12	—	SG4/49
AGS2001C1/66	. . . . .	Nut, stiff, 2BA	12	—	SG4/50
SP15C	. . . . .	Washer	12	—	SG4/50A
EA1.57.649	. . . . .	BRACKET, plate, fuel pump mounting Attaching parts for EA1.57.649:—	1	—	SG4/56
EA1.57.605	. . . . .	Bolt, 1/4" BSF	4	DTD126	SG4/18
AGS2001E1/66	. . . . .	Nut, stiff, 1/4" BSF	4	—	SG4/19
EEAS28/30ER	. . . . .	Washer	4	—	SG4/19A
EA1.57.599	. . . . .	CHANNEL, joggled, fuel cock bracket mounting Attaching parts for EA1.57.599:—	1	—	SG4/57
A25/3C	. . . . .	Bolt, 2BA	2	—	SG4/59
AGS2001C1/66	. . . . .	Nut, stiff, 2BA	2	—	SG4/60
SP15C	. . . . .	Washer	2	—	SG4/60A

R

SERVICES  
FUEL SYSTEM

Part Number	Description						No. Off	Mati. Spec.	Plate No.
	1	2	3	4	5	6			
EEAS143/6	.	.	.	.	.	CLIP, single pipe	1	L72	SG4/20
	.	.	.	.	.	Attaching parts for EEAS143/6:-			
AS1242/18	.	.	.	.	.	Bolt, csk. head, 48A	1	-	SG4/21
AGS2001B1	.	.	.	.	.	Nut, stiff, 48A	1	-	SG4/22
SP13B	.	.	.	.	.	Washer	1	-	SG4/22A
AGS952B	.	.	.	.	.	COLLAR	1	-	SG4/23
EEAS164/4/15	.	.	.	.	.	HOSE, rubber, 1/4" i/d x 1/2" o/d x 1 1/2" long	1	DTD625	SG4/24
AGS1142/B	.	.	.	.	.	NIPPLE, adaptor	1	-	SG4/25
EA1.57.631	.	.	.	.	.	PIPE, drain, 1/4" o/d x 20 SWG	1	L56	SG4/61
SPE21456	.	.	.	.	.	PUMP, fuel, type PUL1003 Mk.5	1	-	SG4/27
or									
SPE21442	.	.	.	.	.	PUMP, fuel, type SPE1003 Mk.4			
	.	.	.	.	.	Attaching parts for SPE21456 or SPE21442:-			
AGS2002C1	.	.	.	.	.	Nut, stiff, 2BA	14	-	SG4/28
EEAS28/4BU	.	.	.	.	.	Washer	2	-	SG4/29
SP15C	.	.	.	.	.	Washer	12	-	SG4/29A
AGS904B	.	.	.	.	.	SLEEVE, outer	1	-	SG4/30
AGS1132B	.	.	.	.	.	UNION, banjo body	1	-	SG4/31
	.	.	.	.	.	Attaching parts for AGS1132B:-			
AGS1135B	.	.	.	.	.	Bolt, banjo	1	-	SG4/32
AGS164F	.	.	.	.	.	Washer	2	-	SG4/32A
EA1.57.31	.	.	.	.	.	WASHER, under fuel pump mounting adaptor	1	Neo-K-Tex	SG4/33
EA1.57.29	.	.	.	.	.	WASHER, between fuel pump and mounting adaptor	1	Neo-K-Tex	SG4/34
EA3.57.527	.	.	.	.	.	WASHER, between fuel pump and fuel cock adaptor	1	L17	SG4/35
EA3.57.529	.	.	.	.	.	WASHER, between fuel cock and adaptor	1	L17	SG4/36
EA1.57.1299	.	.	.	.	.	WASHER, packing	2	-	SG4/62
EA3.57.215	.	.	.	.	.	PUMP, FUEL, No. 3, PORT, ASSEMBLY (FIG. 5)	1	-	SG5/63
	.	.	.	.	.	Spares for:-			
TYPE201 Mk.8	.	.	.	.	.	ACTUATOR AND FUEL COCK ASSEMBLY	1	-	SG5/2
	.	.	.	.	.	Consisting of:-			
AE200160	.	.	.	.	.	ACTUATOR, type 200, Mk. 1	1	-	SG5/3
5W/4489229	.	.	.	.	.	ADAPTOR, c/w label	1	-	SG5/4
E42F10	.	.	.	.	.	COCK, fuel	1	-	SG5/5
AGS2001C1/66	.	.	.	.	.	NUT, stiff, 2BA	2	-	SG5/6
	.	.	.	.	.	Attaching parts for TYPE201 Mk.8:-			
A25/1C	.	.	.	.	.	Bolt, 2BA	1	-	SG5/7
SP47C	.	.	.	.	.	Washer, spring	1	-	SG5/7A
EB6.57.125	.	.	.	.	.	ADAPTOR, fuel pump cock	1	L40	SG5/8
EA1.57.571	.	.	.	.	.	ADAPTOR, fuel pump mounting	1	-	SG5/44
	.	.	.	.	.	Attaching parts for EA1.57.571:-			
A27CP	.	.	.	.	.	Nut, stiff, 2BA	16	-	SG5/10
SP47C	.	.	.	.	.	Washer, spring	16	-	SG5/10A

SERVICES  
FUEL SYSTEM

Part Number	Description						No. Off	Matl. Spec.	Plate No.
	1	2	3	4	5	6			
EA1.57.39	.	.	.	.	.	.	1	L72	SG5/64
A25/1C	.	.	.	.	.	.	12	-	SG5/49
AGS2001C1/66	.	.	.	.	.	.	12	-	SG5/50
SP15C	.	.	.	.	.	.	12	-	SG5/50A
EEAS143/6	.	.	.	.	.	.	1	L72	SG5/20
A25/1B	.	.	.	.	.	.	1	-	SG5/21
AGS2001B1	.	.	.	.	.	.	1	-	SG5/22
SP13B	.	.	.	.	.	.	1	-	SG5/22A
AGS952B	.	.	.	.	.	.	1	-	SG5/23
EEAS164/4/15	.	.	.	.	.	.	1	DTD625	SG5/24
AGS1142B	.	.	.	.	.	.	1	-	SG5/25
EA3.57.53	.	.	.	.	.	.	1	L56	SG5/65
SPE21456	.	.	.	.	.	.	1	-	SG5/27
or									
SPE21442	.	.	.	.	.	.			
AGS2002C1	.	.	.	.	.	.	14	-	SG5/28
EEAS28/4BU	.	.	.	.	.	.	2	-	SG5/29
SP15C	.	.	.	.	.	.	12	-	SG5/29A
AGS904B	.	.	.	.	.	.	1	-	SG5/30
EA1.57.1079	.	.	.	.	.	.	1	-	SG5/32B
A25/1C	.	.	.	.	.	.	2	-	SG5/32C
AGS2001C1/66	.	.	.	.	.	.	1	-	SG5/32D
SP47C	.	.	.	.	.	.	1	-	SG5/32E
SP15C	.	.	.	.	.	.	1	-	SG5/32F
AGS1132B	.	.	.	.	.	.	1	-	SG5/31
AGS1135B	.	.	.	.	.	.	1	-	SG5/32
AGS164F	.	.	.	.	.	.	2	-	SG5/32A
EA1.57.31	.	.	.	.	.	.	1	Neo-K-Tex	SG5/33
EA1.57.29	.	.	.	.	.	.	1	Neo-K-Tex	SG5/34
EA3.57.527	.	.	.	.	.	.	1	L17	SG5/35
EA3.57.529	.	.	.	.	.	.	1	L17	SG5/36

R  
R

## SERVICES

## FUEL SYSTEM

Part Number	Description	No. Off	Matl. Spec.	Plate No.
EA3.57.217	PUMP, FUEL, No. 3 STARBOARD, ASSEMBLY (FIG. 5) Spares for:—	1	—	SG5/66
E.E.Co. LTD. BRADFORD TYPE 201.Mk.8	ACTUATOR AND FUEL COCK ASSEMBLY Consisting of:—	1	—	SG5/2
AE200160	ACTUATOR, Type 200.Mk.1	1	—	SG5/3
5W/4489229	ADAPTOR, c/w label	1	—	SG5/4
SAUNDERS E42.F10	COCK, fuel	1	—	SG5/5
AGS2001C1/66	NUT, stiff, 2BA Attaching parts for TYPE201 Mk. 8:—	2	—	SG5/6
A25/1C	Bolt, 2BA	1	—	SG5/7
SP47C	Washer, spring	1	—	SG5/7A
EB6.57.125	ADAPTOR, fuel pump cock	1	L40	SG5/8
EA1.57.571	ADAPTOR, fuel pump mounting Attaching parts for EA1.57.571:—	1	—	SG5/44
A27CP	Nut, 2BA	16	—	SG5/10
SP47C	Washer, spring	16	—	SG5/10A
EA1.57.41	BRACKET, fuel pump mounting Attaching parts for EA1.57.41:—	1	L72	SG5/67
A25/1C	Bolt, 2BA	12	—	SG5/49
AGS2001C1/66	Nut, stiff, 2BA	12	—	SG5/50
SP15C	Washer, 2 BA	12	—	SG5/50A
EEAS143/6	CLIP, pipe, single Attaching parts for EEAS143/6:—	1	L72	SG5/20
A25/1B	Bolt, 4BA	1	—	SG5/21
AGS2001B1	Nut, stiff, 4BA	1	—	SG5/22
SP13B	Washer, 4BA	1	—	SG5/22A
AGS952B	COLLAR	1	—	SG5/23
EEAS164/4/15	HOSE, rubber, $\frac{1}{4}$ " i/d x $\frac{1}{2}$ " o/d x $1\frac{1}{2}$ " long	1	DTD625	SG5/24
AGS1142B	NIPPLE, adaptor	1	—	SG5/25
EA1.57.647	PIPE, drain, $\frac{1}{4}$ " o/d x 20 SWG	1	L56	SG5/68
SELF PRIMING ENG. SPE1003.Mk.4	PUMP, fuel Attaching parts for SPE1003.Mk.4:—	1	—	SG5/27
AGS2002C1	Nut, stiff, 2BA	14	—	SG5/28
EEAS28/4BU	Washer	2	—	SG5/29
SP15C	Washer	12	—	SG5/29A
AGS904B	SLEEVE, outer	1	—	SG5/30
AGS1132B	UNION, banjo body Attaching parts for AGS1132B:—	1	—	SG5/31
AGS1135B	Bolt, banjo	1	—	SG5/32
AGS164F	Washer	2	—	SG5/32A

## SERVICES

## FUEL SYSTEM

Part Number	Description	No. Off	Mati. Spec.	Plate No.
EA1.57.31	. . . . WASHER, under fuel pump mounting adaptor	1	Neo-K-Tex	SG3/33
EA1.57.29	. . . . WASHER, between fuel pump and mounting adaptor	1	Neo-K-Tex	SG3/34
EA3.57.527	. . . . WASHER, between fuel pump and fuel cock adaptor	1	L17	SG3/35
EA3.57.529	. . . . WASHER, between fuel cock and adaptor	1	L17	SG3/36
AGS904C	. . . . SLEEVE, outer	2	-	SG6/38
AGS164F	. . . . WASHER	2	-	SG6/38A
EEAS164/24/30	. . HOSE, rubber, 1 1/2" x 1 7/8" o/d x 3" long	3	DTD625	SG10/24
EA3.57.185	. . HOSE, rubber, venting pipe joint	1	Silastic	SG10/25
AS3360B5B	. . LEAD, bonding	1	-	SG10/27

## SERVICES

## FUEL SYSTEM

Part Number	Description	No. Off	Mati. Spec.	Plate No.
EA3.11.141	. . . PANEL, detachable, No. 1 fuel tank Attaching parts for EA3.11.141:-	1	-	SG1/57
EEAS1/1 $\frac{1}{2}$ C	. . . Screw, 2BA	56	S96	SG1/58
EEAS1/3C	. . . Screw, 2BA	2	S96	SG1/59
EA3.11.233	. . . PANEL, detachable, No. 2 fuel tank Attaching parts for EA3.11.233:-	1	-	SG1/60
EEAS1/1 $\frac{1}{2}$ C	. . . Screw, 2BA	38	S96	SG1/61
EA3.57.83	. . . PANEL, detachable, No. 3 fuel tank Attaching parts for EA3.57.83:-	1	-	SG1/62
EEAS1/2C	. . . Screw, 2BA	18	S96	SG1/63
EA3.57.501	. . . PIPES, FUEL AND VENT, AUXILIARY FUEL TANK ASSEMBLY Spares for:-	-	-	
E.E.CO.LTD. TYPE 219Mk1	. . . . ACTUATOR AND FUEL COCK ASSEMBLY Consisting of:-	2	-	SG8/1
AE200160 SAUNDERS	. . . . ACTUATOR, Type 200Mk1	1	-	SG8/2
E.42.A10	. . . . COCK, fuel	1	-	SG8/3
AEA.219012	. . . . LABEL	1	-	SG8/4
AGS2001C1/66	. . . . NUT, stiff, 2BA Attaching parts for Type 219Mk1:-	2	-	SG8/5
AGS2001C1/66	. . . Nut, stiff, 2BA	3	-	SG8/6
AGS8848	. . . Stud	3	-	SG8/7
SP13C	. . . Washer	3	-	SG8/7A
EA3.57.259	. . . BRACKET assembly, fuel cock, port	1	-	SG8/8
EA3.57.261	. . . BRACKET assembly, fuel cock, starboard Attaching parts for EA3.57.259 and EA3.57.261:-	1	-	SG8/9
A25/1C	. . . Bolt, 2BA	6	-	SG8/10
AGS2001C1/66	. . . Nut, stiff, 2BA	6	-	SG8/11
SP13C	. . . Washer	6	-	SG8/11A
EA3.57.447	. . . BRACKET	2	-	SG8/11B
EA1.57.267	. . . BRACKET assembly, float valve Attaching parts for EA1.57.267:-	1	-	SG8/12
A61/1C	. . . Bolt, 2BA	3	-	SG8/13
A61/6C	. . . Bolt, 2BA	3	-	SG8/14
AGS2001C3	. . . Nut, stiff, 2BA	6	-	SG8/15
AS2809/4/060	. . . Tube, distance	3	-	SG8/16
SP13C	. . . Washer	6	-	SG8/16A

SERVICES  
FUEL SYSTEM

Part Number	1 2 3 4 5 6	Description	No. Off	Mati. Spec.	Plate No.
AS4525/20	. . .	CLIP, bonding	10	--	SG8/17
SP91J	. . .	CLIP, hose	20	--	SG8/18
EA1.57.317	. . .	CLIP, pipe, fuel	8	L72	SG8/19
		Attaching parts for EA1.57.317 :-			
A61/1B	. . .	Bolt, 4BA	2	--	SG8/20
AGS2001B3	. . .	Nut, stiff, 4BA	2	--	SG8/21
SP13B	. . .	Washer	2	--	SG8/21A
EA3.57.285	. . .	CLIP, pipe, vent	1	L72	SG8/22
		Attaching parts for EA3.57.285 :-			
A25/1B	. . .	Bolt, 4BA	2	--	SG8/23
AGS2001B1	. . .	Nut, stiff, 4BA	2	--	SG8/24
SP13B	. . .	Washer	2	--	SG8/24A
EA3.57.481	. . .	FAIRLEAD, frame 27	2	LFS21	SG8/25
		Attaching parts for EA3.57.481 :-			
A25/3B	. . .	Bolt, 4BA	4	--	SG8/26
AGS2001B1	. . .	Nut, stiff, 4BA	4	--	SG8/27
SP13B	. . .	Washer	4	--	SG8/27A
EA3.57.491	. . .	FILTER, float valve	1	--	SG8/28
EEAS164/4/15	. . .	HOSE, rubber, 1 1/2" i/d x 1 5/8" o/d x 3" long	9	DTD625	SG8/29
AGS1142J	. . .	NIPPLE, adaptor	7	--	SG8/30
SP90C16	. . .	PIN, split	2	--	SG8/55
EA1.57.271	. . .	PIPE, assembly, fuel, from hose connection at frame 27 to float valve connection, No. 3 fuel tank	1	L54	SG8/39
EA1.57.1127	. . .	PIPE, assembly, fuel from port and starboard non-return valve to flexible couplings	2	L56	SG8/37
EA3.57.441	. . .	PIPE, fuel, from branch pipe to hose coupling centre port, frame 27	1	L54	SG8/31
EA3.57.445	. . .	PIPE, fuel, between hose couplings centre of frame 27	1	L54	SG8/32
EA3.57.451	. . .	PIPE, fuel, between hose couplings branch pipe and No. 3 fuel tank pipe, port	1	L54	SG8/38
EA3.57.493	. . .	PIPE, assembly, fuel from branch pipe to fuel cock, port	1	L54	SG8/33
EA3.57.495	. . .	PIPE, assembly, fuel, from branch pipe to fuel cock, starboard	1	L54	SG8/34
EA3.57.497	. . .	PIPE, assembly, fuel, 4-way branch at frame 27, port	1	T26	SG8/35
EA3.57.499	. . .	PIPE, assembly, branch, between non-return valve and hose connection	1	L54	SG8/36
AGS1140J	. . .	PLUG, nipple, fuel cock	2	--	SG8/41
EEAS66/5	. . .	RING, clamping, fuel pipe hose clips	18	L72	SG8/42

SERVICES  
FUEL SYSTEM

Part Number	Description						No. Off	Matl. Spec.	Plate No.
	1	2	3	4	5	6			
AGS904J	.	.	.	SLEEVE, outer, fuel cock			2	—	SG8/44
EA1.81.429	.	.	.	TERMINAL, earth			1	—	SG8/45
AGS1103J	.	.	.	UNION, body, float valve			1	—	SG8/46
SELF PRIMING ENG. CO. LTD.									
FV1250 SMK. 7	.	.	.	VALVE, float, 1½" BSP (Pre-Mod 3906)			1	—	
FV1250 SMK. 8	.	.	.	VALVE, float 1½" BSP (Mod 3906)			1	—	SG8/47
				Attaching parts for FV 1250 SMK. 7 and FV1250 SMK. 8 :-					
AGS2001C3	.	.	.	Nut, stiff, 2BA			12	—	SG8/48
EA3.57.455	.	.	.	Ring, sealing			2	Neo-K-Tex	SG8/49
EEAS20/1/DU	.	.	.	Tab, locking			1	DTD124	SG8/50
SP13C	.	.	.	Washer			12	—	SG8/50A
SELF PRIMING ENG. CO. LTD. SPE2706									
	.	.	.	VALVE, non-return, Type P24A, Mk. 3			2	—	SG8/51
				Attaching parts for SPE2706 :-					
A25/4C	.	.	.	Bolt, 2BA			4	—	SG8/52
AGS2001C1/66	.	.	.	Nut, stiff, 2BA			4	—	SG8/53
EEAS20/1DU	.	.	.	Tab, locking			2	—	SG8/54
EA1.57.249	.	.	.	PIPES, AIR AND BLOW-OFF VALVE, FORWARD, OF FRAME 22, ASSEMBLY			—	—	
				Spares for :-					
AS4525/8	.	.	.	CLIP, pipe, single			4	L72	SG11/1
				Attaching parts for AS4525/8:-					
AS1246/1B	.	.	.	Bolt, round head, 4BA			1	—	SG11/2
AGS2001B1	.	.	.	Nut, stiff, 4BA			1	—	SG11/3
EA1.57.1179	.	.	.	FAIRLEAD			4	LES21	SG11/4
				Attaching parts for EA1.57.1179 :-					
A25/8C	.	.	.	Bolt, 2BA			1	—	SG11/5
AGS2001C1/66	.	.	.	Nut, stiff, 2BA			1	—	SG11/6
SP15C	.	.	.	Washer			1	—	SG11/6A
EEAS164/8/20	.	.	.	HOSE, rubber, ½" i/d x ¾" o/d x 2" long			8	DTD625	SG11/7
EA1.57.1147	.	.	.	PIPE, air, from connection at starboard side, to blow-off valve, side, forward connection			1	L56	SG11/8
EA1.57.1149	.	.	.	PIPE, air, from connection at starboard side to blow-off valve, side, aft connection			1	L56	SG11/9
EA1.57.1151	.	.	.	PIPE, air, from connection at port side, to blow-off valve, side, aft connection			1	L56	SG11/10
EA1.57.1153	.	.	.	PIPE, air, from connection at port side, to blow-off valve, side, forward connection			1	L56	SG11/11

SERVICES  
FUEL SYSTEM

Ref. No.	Part No.	Description 1 2 3 4 5 6	No. off	Matl. Spec.	Cl. of Equip M.R. L.M.	Plate No.
7220	EA1.57.1131	VALVE, BLOW-OFF, ASSEMBLY Spares for:—	1	—	A	SG11/12
1722	EA1.57.1171	BODY, valve	1	—	C	SG11/13
1648	EA1.57.1073	VALVE, AIR RELIEF, ASSEMBLY Consisting of:—	3	—	A	SG11/14
	EA1.57.1071	BODY, relief valve	1	—	—	SG11/15
1649	EA1.57.1143	BOLT, relief valve spring mounting	1	DTD883	C	SG11/16
28M/4095802	AGS2001C3	NUT, stiff, 2BA	2	—	C	SG11/17
1650	EA1.57.1039	SPRING, relief valve operating	1	DTD215	C	SG11/18
1658	EA1.57.1027	WASHER, spring retaining	1	L72	C	SG11/19
1659	EA1.57.1029	WASHER, rubber seal, seating	1	L72	C	SG11/20
1651	EA1.57.1031	WASHER, rubber seating	1	—	C	SG11/21
1660	EA1.57.1033	WASHER, rubber seal seating	1	L72	C	SG11/22
28W/9419475	SP15C	WASHER	2	—	C	SG11/23
1723	EA1.57.1173	WASHER, sealing, valve body Attaching parts for EA1.57.1131:—	3	Petrolite	C	SG11/24
	A25/1C	Bolt, 2BA	4	—	C	SG11/25
28M/1012015	AGS2001C1/66	Nut, stiff, 2BA	4	—	C	SG11/26
28W/9419402	SP13C	Washer	4	—	C	SG11/26A
	EB6.57.95	PIPES, RECUPERATOR, ASSEMBLY Spares for:—	—	—	—	
41868	EB7.57.205	BRACKET	1	—	C	SG9/2A
5K/1037287	AS4525/3	CLIP, bonding	11	—	C	SG9/1
5K/4345964	AS4525/6	CLIP, bonding Attaching parts for AS4525/3 and AS4525/6:—	9	—	C	SG9/2
28D/1010658	A25/1B	Bolt, 4BA	1	—	C	SG9/3
28D/1008149	A25/2B	Bolt, 4BA	1	—	C	SG9/4
28D/9140638	A25/4B	Bolt, 4BA	1	—	C	SG9/5
28M/1278189	AGS2001B1	Nut, stiff, 4BA	1	—	C	SG9/6
12889	EEAS21/8CRH	Washer, 'D'	1	—	—	SG9/7
28E/4062064	AS5418/20	CLIP, 'P'	2	—	C	SG9/8
28E/9482116	AS5418/6	CLIP, 'P'	16	—	C	SG9/9
28E/1052524	AS5418/3	CLIP, 'P' Attaching parts for AS5418/20, AS5418/6 and AS5418/3:—	16	—	C	SG9/10
28D/1010658	A25/1B	Bolt, 4BA	1	—	C	SG9/11
28D/1008149	A25/2B	Bolt, 4BA	1	—	C	SG9/12
28D/9419452	A25/3B	Bolt, 4BA	1	—	C	SG9/13
28D/9133011	A25/2C	Bolt, 2BA	1	—	C	SG9/14
28M/1278189	AGS2001B1	Nut, stiff, 4BA	1	—	C	SG9/15
28M/1012015	AGS2001C1/66	Nut, stiff, 2BA	1	—	C	SG9/16
28W/9419465	SP13B	Washer	1	—	C	SG9/16A
12888	EEAS21/8CR	Washer, 'D'	1	—	—	SG9/17
18852	EEAS21/2DR	Washer, 'D'	1	—	—	SG9/18
28F/1034376	AGS1131A	CONE, banjo body Attaching parts for AGS.1131A:—	1	—	C	SG9/19
28F/1053723	AGS1213A	Bolt, banjo body	1	—	C	SG9/20
28F/1202394	AGS1138A	Washer, jointing	2	—	C	SG9/20A

SERVICES  
FUEL SYSTEM

Ref. No.	Part No.	Description	No. off	Matl. Spec.	Cl. of Equip M.R. L.M.	Plate No.
28F/9440883	AGS1131C	. . . CONE, banjo body Attaching parts for AGS1131C:—	1	—	C	SG9/21
28D/9140977	AGS1213C	. . . Bolt, banjo body	1	—	C	SG9/22
28F/1202393	AGS1139C	. . . Washer, jointing	2	—	C	SG9/22A
28F/9129085	AGS1102A	. . . CONE, union body	6	—	C	SG9/23
28F/9471001	AGS1102C	. . . CONE, union body	6	—	C	SG9/24
28F/1036556	AGS1111A	. . . CONE, union body, flanged Attaching parts for AGS1111A:—	2	—	C	SG9/25
28D/1008149	A25/2B	. . . Bolt, 4BA	3	—	C	SG9/26
28M/9403519	A27BP	. . . Nut, 4BA	3	—	C	SG9//27
981	EEAS20/2DR	. . . Tab, locking	2	—	C	SG9/28
28F/9152415	AGS1115/1	. . . Washer, plate	1	—	C	SG9/29
28W/9416642	SP47B	. . . Washer, spring	3	—	C	SG9/29A
28F/1036557	AGS1111C	. . . CONE, union body, flanged Attaching parts for AGS1111C:—	2	—	C	SG9/30
28D/9133011	A25/2C	. . . Bolt, 2BA	3	—	C	SG9/31
28M/9403520	A27CP	. . . Nut, 2BA	3	—	C	SG9/32
38736	EB7.57.123	. . . Tab, locking	2	—	C	SG9/33
28F/9128929	AGS1115/4	. . . Washer, plate	1	—	C	SG9/34
28W/9416643	SP47C	. . . Washer, spring	3	—	C	SG9/34A
5K/7000206	AS3360B4B	. . . LEAD, bonding	4	—	C	SG9/35
38992	EB6.57.87	. . . PIPE, assembly, from wing fuselage connection to coupling between frames 22 and 23, fuel bleed line, port	1	DTD323	LM	SG9/36
38993	EB6.57.89	. . . PIPE, assembly, from coupling between frames 22 and 23 to coupling forward of frame 27 fuel bleed line, port	1	DTD323	LM	SG9/37
38994	EB6.57.91	. . . PIPE, assembly, from coupling forward of frame 27 to coupling at frame 27, fuel bleed line, port	1	DTD323	LM	SG9/38
	EB6.57.99	. . . PIPE, assembly, continuation on frame 27 to banjo union at frame 27, fuel bleed line, port	1	DTD323	LM	SG9/39
38845	EB6.57.93	. . . PIPE, assembly, from wing fuselage connection to coupling between frames 22 and 23, fuel bleed line, starboard	1	DTD323	LM	SG9/40
38846	EB6.57.95	. . . PIPE, assembly, from coupling between frames 22 and 23 to coupling forward of frame 27, fuel bleed line, starboard	1	DTD323	C	SG9/41
41231	EB6.57.97	. . . PIPE, assembly, from coupling forward of frame 27 to coupling at frame 27, fuel bleed line, starboard	1	DTD323	C	SG9/42
40420	EB6.57.101	. . . PIPE, assembly, continuation on frame 27 to banjo union at frame 27, fuel bleed line, starboard	1	DTD323	C	SG9/43

## SERVICES

## FUEL SYSTEM

Part Number	Description	No. Off	Matl. Spec.	Plate No.
EB6.57.103	. . . PIPE assembly, from wing fuselage connection to coupling between frame 22 and 23, air balance line, port	1	L56	SG9/44
EB6.57.105	. . . PIPE assembly, from coupling between frames 22 and 23 to coupling forward of frame 27, air balance line, port	1	L56	SG9/45
EB6.57.107	. . . PIPE assembly, frame coupling forward of frame 27 to coupling at frame 27, air balance line, port	1	L56	SG9/46
EB6.57.115	. . . PIPE assembly, from frame 27 to banjo union on vent pipe, air balance line, port	1	L56	SG9/47
EB6.57.109	. . . PIPE assembly, from wing fuselage connection to coupling between frames 22 and 23, air balance line, starboard	1	L56	SG9/48
EB6.57.111	. . . PIPE assembly, from coupling between frames 22 and 23 to coupling forward of frame 27, air balance line, starboard	1	L56	SG9/49
EB6.57.113	. . . PIPE assembly, from coupling forward of frame 27 to coupling at frame 27, air balance line, starboard	1	L56	SG9/50
EB6.57.117	. . . PIPE assembly, from frame 27 to banjo union on vent pipe, air balance line, starboard	1	L56	SG9/51
R EA3.57.5087	. . PLATE, blanking (Mod. 5339) (Make from 30A9610468) Attaching parts for EA3.57.5087:—	2	S515-14 SWG	SG10/43
R AGS2001/C/1	. . Nut, stiff, 2BA	8	—	SG10/44
R SP15C	. . Washer	8	—	SG10/45
R EA1.57.59	. . Washer, joint	2	—	SG10/46
EEAS66/7	. . RING, clamping, No. 2 tank, vent pipe	6	L72	SG10/32
EEAS66/11	. . RING, clamping, No. 3 tank, vent pipe	2	L72	SG10/33
EA3.57.231	. . RING, half joint, No. 3 tank, venting connection	2	DTD683	SG12/40A
EA3.57.233	. . RING, half joint, No. 3 tank, venting connection	2	DTD683	SG12/40B
AGS2001B1	. . Nut, stiff, 4BA	2	—	
EA3.57.227	. . Ring, sealing	1	Synthetic Rubber	SG12/40
EA1.56.247	. . TANK, FUEL, No. 1, ASSEMBLY Spares for:—	1	—	SG1/1
SMITH WAYMOUTH JCB1A	. . . BOX, terminal	1	—	SG1/2
SMITH WAYMOUTH TB44A	. . . UNIT, tank	1	—	SG1/3
SMITH WAYMOUTH TB45A	. . . UNIT, tank	1	—	SG1/4
SMITH WAYMOUTH TB46A	. . . UNIT, tank	1	—	SG1/5
SMITH WAYMOUTH TB47A	. . . UNIT, tank	1	—	SG1/6

SERVICES  
FUEL SYSTEM

Part Number	1 2 3 4 5 6	Description	No. Off	Matl. Spec.	Plate No.
EA1.56.243	. . .	TANK, FUEL, No. 2 ASSEMBLY Spares for:—	1	—	SG1/7
SMITH WAYMOUTH JCB1A	. . .	BOX, terminal	1	—	SG1/8
SMITH WAYMOUTH TB48A	. . .	UNIT, tank	1	—	SG1/9
SMITH WAYMOUTH TB49A	. . .	UNIT, tank	1	—	SG1/10
SMITH WAYMOUTH TB50A	. . .	UNIT, tank	1	—	SG1/11
SMITH WAYMOUTH TB51A	. . .	UNIT, tank	1	—	SG1/12
EA3.00.513	. . .	TANK, FUEL, No. 3 ASSEMBLY (Spares Condition) (Ref. Dwg. EA3.56.445) (PRE-MODS 3367 and 3391)	1	—	SG1/13
EA3.00.1055	. . .	TANK, FUEL, No. 3 ASSEMBLY (Spares Condition) (Ref. Dwg. EA3.56.695) (MODS 3367 and 3391) Spares for:—	1	—	SG1/13
SMITH WAYMOUTH JCB1A	. . .	BOX, terminal	1	—	SG1/14
SMITH WAYMOUTH PS30	. . .	CABLE, assembly (Mods 3367 and 3391)	1	—	SG1/15
SMITH WAYMOUTH PS54	. . .	CABLE, assembly (Mods 3367 and 3391)	2	—	SG1/16
SMITH WAYMOUTH PS73	. . .	CABLE, assembly (Mods 3367 and 3391)	2	—	SG1/17
SP144-028	. . .	CLIP, hose	1	—	SG1/17A
EA3.57.457	. . .	PIPE, vent	2	—	SG1/18
EA1.56.257	. . .	PLATE, attachment	1	—	SG1/18A
EB7.57.361	. . .	PLATE, blanking (Mod 5339) (Make from 30A/9610468) Attaching parts for EB7.57.361:—	1	S515-14 SWG	SG1/64
AGS2001/C1/66	. . .	Nut, stiff, 2 BA	4	—	SG1/65
SP15C	. . .	Washer, 2 BA	4	—	SG1/66
EA3.57.463	. . .	RING, rubber, for vent pipe clip	2	—	SG1/19

R

R

R

SERVICES  
FUEL SYSTEM

Part Number	Description	No. Off	Mati. Spec.	Plate No.
SMITH WAYMOUTH TC17	. . . UNIT, tank (Supplied separately)	2	-	SG1/20
SMITH WAYMOUTH TC18	. . . UNIT, tank (Supplied separately)	2	-	SG1/21
EA1.56.255	. . . WASHER, sealing	1	-	SG1/19A
EA3.57.101	. . . TEE, vent, No. 2 fuel tank Attaching parts for EA3.57.101:-	1	L72	SG10/35
AGS2001C1/66	. . . Nut, stiff, 2 BA	8	-	SG10/36
EA1.57.59	. . . Washer	1	Neo-K-Tex	SG10/37
EA1.57.23	. . . TRANSMITTER, FUEL GAUGE, INSTALLATION Spares for:-	-	-	
SMITH WAYMOUTH XA	. . . BRACKET, attachment	3	-	SG1/28
SMITH WAYMOUTH F.A.A.	. . . GAUGE, fuel Attaching parts for XA and F.A.A.:-	3	-	SG1/31
AS1242/2C	. . . Bolt, c'sk head, 2 BA	4	-	SG1/29
AGS2001C1/66	. . . Nut, stiff, 2 BA	4	-	SG1/30
SP16C	. . . Washer	4	-	SG1/30A
EB6.57.145	. . . VENTING, FUEL, BETWEEN BULKHEAD FRAME 27A AND FRAME 30, ASSEMBLY (MOD. 1728) Spares for:-	-	-	
EB7.57.315	. . . BRACKET, vent pipe, at frame 28 and 29	2	L59	SG12/12
EA1.57.165	. . . BRACKET, vent valve Attaching parts for EA1.57.165:-	1	DTD390	SG12/12A
A25/1E	. . . Bolt, 1/4" BSF	4	-	SG12/12B
A27EP	. . . Nut, 1/4" BSF	4	-	SG12/12C
SP47E	. . . Washer	4	-	SG12/12D
EB7.57.317	. . . CLIP, vent pipe, at frame 28 and 29 Attaching parts for EB7.57.315 and EB7.57.317:-	2	L59	SG12/13
A25/3C	. . . Bolt, 2 BA	2	-	SG12/14
AGS2001C1/66	. . . Nut, stiff, 2 BA	2	-	SG12/15
EB7.57.319	. . . Washer, corner	2	L72	SG12/16
SP13C	. . . Washer	2	-	SG12/16A

SERVICES  
FUEL SYSTEM

Part Number	1 2 3 4 5 6	Description	No. Off	Mati. Spec.	Plate No.
EA1.57.159 or EA3.57.411	. . .	ELBOW, moulded rubber connecting at bulkhead frame 27A	1	—	SG12/17
EEAS164/32/26 EEAS164/40/45	. . .	HOSE, rubber 2" i/d x 2 1/2" o/d x 2 5/8" long	2	DTD625	SG12/20
EA3.57.23	. . .	HOSE, rubber, 2 1/2" i/d x 3" o/d x 4 1/2" long	2	DTD625	SG12/21
EB6.57.119	. . .	PIPE, vent, at frame 27A	1	—	SG12/22
EB6.57.147	. . .	PIPE, branch vent, at frame 27A	1	L54	SG12/23
EB7.57.339	. . .	PIPE, assembly, vent from frame 27A to hose coupling between frames 28 and 29	1	—	SG12/24
EEAS66/11 EEAS66/12	. . .	PIPE, vent, from hose couplings forward of frame 29 to aft of frame 30	1	L56	SG12/25
EA3.57.69	. . .	RING, clamping, 2 7/8" dia	2	L72	SG12/27
	. . .	RING, clamping, 2 1/2" dia	4	L72	SG12/28
	. . .	VENT PIPES AND TROUGH FOR No. 3 FUEL TANK ASSEMBLY	—	—	
		Spares for:—			
EA3.57.143	. . .	BLOCK, packing, venting	4	LFS21	SG12/2
EA3.57.197	. . .	BRACKET, lacing	1	—	SG12/3
EA3.57.201	. . .	BRACKET, lacing	1	—	SG12/4
		Attaching parts for EA3.57.201:—			
A25/1C	. . .	Bolt, 2 BA	1	—	SG12/5
AGS2001C1/66	. . .	Nut, stiff, 2 BA	1	—	SG12/6
EA3.57.189	. . .	CLIP, pipe, venting	4	L72	SG12/7
		Attaching parts for EA3.57.189:—			
A25/1C	. . .	Bolt, 2 BA	2	—	SG12/10
EA3.57.107	. . .	DUCT, venting, No. 3 fuel tank between main spar and frame 27 (Pre-Mod. 2531)	1	—	
EA3.57.525	. . .	DUCT, venting, No. 3 fuel tank between main spar and frame 27 (Mod. 2531)	1	—	SG12/11
EA3.11.129	. . .	WASHER, fuel contents gauge terminal box	3	L72	SG12/29A
EA3.57.161	. . .	WIRE SUPPORT, No. 3 FUEL TANK, ASSEMBLY	—	—	
		Spares for:—			
EA1.57.377	. . .	GROMMET, tank support, nylon cord	24	Shore 50	SG1/22
EA1.57.371	. . .	PLATE, spreader, fuel tank	124	L72	SG1/23
TERRY 169 <sup>3/4</sup>	. . .	RING, split	22	—	SG1/24
EA1.57.1175	. . .	SUPPORT, end, nylon cord	4	—	SG1/25
EA1.57.1177	. . .	SUPPORT, intermediate, nylon cord	20	—	SG1/26

R  
R  
R

SERVICES  
FUEL SYSTEM

Part Number	Description	No. Off	Mtl. Spec.	Plate No.	
					1
EB6.57.17	FUEL SYSTEM IN PORT WING, ASSEMBLY	-	-		
EB6.57.18	FUEL SYSTEM IN STARBOARD WING, ASSEMBLY	-	-		
EB6.57.71	FUEL DELIVERY SYSTEM, PORT INNER WING ASSEMBLY	-	-		
EB6.57.151	FUEL DELIVERY SYSTEM, STARBOARD INNER WING, ASSEMBLY	-	-		
EA1.57.259	CLIP, pipe at ribs 1, 2 and 3, port Attaching parts for EA1.57.259 :-	3	L72	SG13/1	
A25/2C	Bolt, 2BA	2	-	SG13/2	
AGS2001C1/66	Nut, stiff, 2BA	2	-	SG13/3	
SP13C	Washer	2	-	SG13/3A	
EA1.57.183	CLIP, half, base, fuel pipe at ribs 2 and 3, starboard	2	L59	SG13/4	
EA1.57.185	CLIP, half, top, fuel pipe, at ribs 2 and 3, starboard	2	L72	SG13/5	
A25/1C	Bolt, 2BA	2	-	SG13/6	
AGS2001C1/66	Nut, stiff, 2BA	2	-	SG13/7	
SP13C	Washer	2	-	SG13/7A	
AS4525/20	CLIP, bonding	QR	-	SG13/8	
SP91J	CLIP, hose	8	-	SG13/10	
EA3.57.535	ELBOW, connection on engine rib, port (Mod 5237)	1	-	SG13/11	
EA3.57.536	ELBOW, connection on engine rib, starboard (Mod 5237)	1	-	SG13/12	
A25/3C	Bolt, 2BA	4	-	SG13/13	
AGS2001C1/66	Nut, stiff, 2BA	4	-	SG13/14	
EEAS20/1DR	Tab, locking, starboard only	4	L72	SG13/15	
SP13C	Washer, port only	4	-	SG13/15A	
EEAS164/20/53	HOSE, rubber, 1 1/4" i/d x 1 5/8" o/d x 5 1/4" long	2	DTD625	SG13/16	
AS3360C4C	LEAD, bonding	QR	-	SG13/17	
A25/2C	Bolt, 2BA, port only	2	-	SG13/18	
A25/1C	Bolt, 2BA, starboard only	2	-	SG13/19	
AGS2001C1/66	Nut, stiff, 2BA	2	-	SG13/20	
EEAS21/2ERH	Washer	2	L72	SG13/21	
SP13C	Washer, port only	2	-	SG13/21A	
AGS1142J	NIPPLE, adaptor	2	-	SG13/22	
EB6.57.67	PIPE, assembly, fuel, from fuselage connection to hose joint at rib 1, port	1	L56	SG13/23	
EA1.57.556	PIPE, assembly, fuel from fuselage connection to hose joint at rib 1, starboard	1	-	SG13/24	
EB6.57.77	PIPE, fuel, continuation between hose joints 1 1/4" o/d x 20 SWG, port	1	L56	SG13/25	
EA9.57.21	PIPE, fuel, continuation between hose joints 1 1/4" o/d x 20 SWG, starboard	1	L56	SG13/26	
EB7.57.131	PIPE, assembly, fuel, from hose joint between ribs 2 and 3 to engine rib elbow connection, port	1	L56	SG13/27	
EA9.57.19	PIPE, assembly, fuel, from hose joint between ribs 2 and 3 to engine rib elbow connection, starboard	1	L56	SG13/28	

SERVICES  
FUEL SYSTEM

Part Number	1 2 3 4 5 6	Description	No. Off	Mati. Spec.	Plate No.
AGS566B	. . .	PLUG	1	-	SG13/29
EEAS66/5	. . .	RING, clamping, for hose clips	8	L72	SG13/30
EB6.57.75	. . .	SUPPORT, fuel, pipe, at rib 3, port	1	-	SG13/31
EB7.57.137	. . .	SUPPORT, fuel, pipe, at rib 2, port	1	-	SG13/32
A25/1B	. . .	Attaching parts for EB6.57.75 and EB7.57.137 :-			
AGS2001B1	. . .	Bolt, 4BA	2	-	SG13/33
SP15B	. . .	Nut, stiff, 4BA	2	-	SG13/34
	. . .	Washer	2	-	SG13/34A
EB6.57.73	. . .	SUPPORT, port	1	-	SG13/34B
EA1.57.209	. . .	SUPPORT, fuel pipe, 1 off port, 4 off starboard	QR	-	SG13/35
A25/3B	. . .	Attaching parts for EA1.57.209 :-			
AGS2001B1	. . .	Bolt, 4BA	6	-	SG13/36
EA1.57.199	. . .	Nut, stiff, 4BA	6	-	SG13/37
SP13B	. . .	Plate, connecting, starboard only	2	L72	SG13/38
	. . .	Washer	6	-	SG13/38A
AGS164F	. . .	WASHER, fibre	1	-	SG13/39
EA1.57.245	. . .	PIPES, FUEL, TRANSFER, RIB 1, INNER WING	-	-	
	. . .	DROP TANK ASSEMBLY, PORT			
EA1.57.246	. . .	PIPES, FUEL TRANSFER, RIB 1, INNER WING	-	-	
	. . .	DROP TANK ASSEMBLY, STARBOARD			
	. . .	Spares for :-			
SP91J	. . .	CLIP, hose	4	-	SG17/1
AS4525/20	. . .	CLIP, bonding	4	-	SG17/1A
EA1.57.259	. . .	CLIP, pipe, special	5	L72	SG17/1B
EEAS164/20/30	. . .	HOSE, rubber, 1 1/2" i/d x 1 5/8" o/d x 3" long	2	DTD625	SG17/2
EA1.57.1257	. . .	PIPE, fuel, 1 1/2" o/d x 20 SWG, port	1	L56	SG17/3
EA1.57.1258	. . .	PIPE, fuel, 1 1/2" o/d x 20 SWG, starboard	1	L56	SG17/4
EA1.57.1259	. . .	PIPE, fuel, 1 1/2" o/d x 20 SWG, port	1	L56	SG17/5
EA1.57.1260	. . .	PIPE, fuel, 1 1/2" o/d x 20 SWG, starboard	1	L56	SG17/6
EEAS66/5	. . .	RING, clamping, 1 5/8" i/d	4	L72	SG17/7
EA1.57.247	. . .	PIPES, FUEL TRANSFER AND AIR IN INNER	-	-	
	. . .	WING DROP TANK ASSEMBLY, PORT			
EA1.57.248	. . .	PIPES, FUEL TRANSFER AND AIR IN INNER	-	-	
	. . .	WING DROP TANK ASSEMBLY,			
	. . .	STARBOARD			
	. . .	Spares for :-			
EA1.57.1043	. . .	BRACKET	2	-	SG17/7A
AS4525/8	. . .	CLIP, pipe, single, 1/2" o/d	4	L16	SG17/8
	. . .	Attaching parts for EEAS112/10 :-			
A25/1B	. . .	Bolt, 4BA	1	-	SG17/8A
AGS2001B1	. . .	Nut, 4BA	1	-	SG17/8B
SP16B	. . .	Washer	1	-	SG17/8C
EA1.57.317	. . .	CLIP, pipe, special	2	L72	SG17/9
	. . .	Attaching parts for EA1.57.317 :-			
A25/2B	. . .	Bolt, 4BA	2	-	SG17/9A
AGS2001B1	. . .	Nut, 4BA	2	-	SG17/9B
SP15B	. . .	Washer	1	-	SG17/9C

SERVICES  
FUEL SYSTEM

Part Number	1 2 3 4 5 6	Description	No. Off	Matl. Spec.	Plate No.
EEAS164/8/20	. . .	HOSE, rubber, 1/2" i/d x 3/4" o/d x 2" long	1	DTD625	SG17/10
EEAS164/20/30	. . .	HOSE, rubber, 1 1/4" i/d x 1 5/8" o/d x 3" long	1	DTD625	SG17/2
EA6.57.103	. . .	PIPE, fuel, 1 1/4" o/d x 20 SWG, port	1	L56	SG17/11
EA6.57.104	. . .	PIPE, fuel, 1 1/4" o/d x 20 SWG, starboard	1	L56	SG17/12
EA6.57.105	. . .	PIPE, air, 1/2" o/d x 20 SWG, port	1	L56	SG17/13
EA6.57.106	. . .	PIPE, air, 1/2" o/d x 20 SWG, starboard	1	L56	SG17/14
EA6.57.107	. . .	PIPE, air, 1/2" o/d x 20 SWG, port	1	L56	SG17/15
EA6.57.108	. . .	PIPE, air, 1/2" o/d x 20 SWG, starboard	1	L56	SG17/16
EEAS66/5	. . .	RING, clamping, 1 5/8" i/d	2	L72	SG17/17
EA6.57.51	. . .	PIPES, FUEL AND AIR IN ENGINE NACELLE, ASSEMBLY, PORT	-	-	
EA6.57.52	. . .	PIPES, FUEL AND AIR IN ENGINE NACELLE, ASSEMBLY, STARBOARD	-	-	
		Spares for :-			
AGS1142C	. . .	ADAPTOR, nipple	2	-	SG17/36
AGS1142D	. . .	ADAPTOR, nipple	3	-	SG17/37
AGS1142J	. . .	ADAPTOR, nipple	3	-	SG17/38
AS4525/20	. . .	CLIP, bonding	2	-	SG17/39
SP91J	. . .	CLIP, hose	2	-	SG17/40
EA1.57.259	. . .	CLIP, pipe	3	L72	SG17/1B
		Attaching parts for EA1.57.259 :-			
A25/1C	. . .	Bolt, 2BA	2	-	SG17/1C
AGS2001C1/66	. . .	Nut, stiff, 2BA	2	-	SG17/1D
SP15C	. . .	Washer	2	-	SG17/1E
EA3.57.417	. . .	CLIP, pipe	1	L72	SG17/18
EEAS143/21	. . .	CLIP, pipe, 1/2" o/d	3	L16	SG17/19
		Attaching parts for EEAS143/21 :-			
A25/1C	. . .	Bolt, 2BA	1	-	SG17/19A
A25/8C	. . .	Bolt, 2BA	1	-	SG17/19B
AGS2001C1/66	. . .	Nut, stiff	2	-	SG17/19C
AS2811/5/065	. . .	Tube, distance	1	L62	SG17/19D
EEAS164/20/30	. . .	HOSE, rubber, 1 1/4" i/d x 1 5/8" o/d x 3" long	1	DTD625	SG17/2
EA3.57.37	. . .	PIPE, assembly, fuel, continuation from coupling in inner wing to coupling in engine nacelle, port	1	T26	SG17/22
EA3.57.38	. . .	PIPE, assembly, fuel, continuation from coupling in inner wing to coupling in engine nacelle, starboard	1	T26	SG17/23
EA3.57.41	. . .	PIPE, assembly, air, continuation from coupling in inner wing to coupling union in engine nacelle, port	1	T26	SG17/26
EA3.57.42	. . .	PIPE, assembly, air, continuation from coupling in inner wing to coupling union in engine nacelle, starboard	1	T26	SG17/27
EA3.57.43	. . .	PIPE, assembly, air, continuation from coupling union in engine nacelle to coupling in outer wing, port	1	T26	SG17/28
EA3.57.44	. . .	PIPE, assembly, air, continuation from coupling union in engine nacelle to coupling in outer wing, starboard	1	T26	SG17/29

SERVICES  
FUEL SYSTEM

Part Number	Description	No. Off	Matl. Spec.	Plate No.
EA3.57.45	. . . PIPE, assembly, air, continuation from coupling in inner wing to reducing union in engine bay, port	1	T26	SG17/30
EA3.57.46	. . . PIPE, assembly, air, continuation from coupling in inner wing to reducing union in engine bay, starboard	1	T26	SG17/31
EA3.57.35	. . . PIPE, assembly, from non-return valve to reducing union, port	1	T26	SG17/32
EA3.57.36	. . . PIPE, assembly, air, from non-return valve to reducing union, starboard	1	T26	SG17/33
EEAS66/5	. . . RING, clamping, 1 5/8" i/d	1	L72	SG17/34
AGS949J	. . . UNION	1	-	SG17/41
AGS949D	. . . UNION	1	-	SG17/42
A5287C	. . . VALVE, non-return (Vickers)	1	-	SG17/35
EA1.57.255	. . . PIPES FUEL TRANSFER AND AIR IN OUTER WING, DROP TANK ASSEMBLY, PORT	-	-	
EA1.57.256	. . . PIPES, FUEL TRANSFER AND AIR IN OUTER WING, DROP TANK ASSEMBLY STARBOARD	-	-	
	Spares for :-			
AGS1142J	. . . ADAPTOR, nipple	1	-	SG20/1
EA1.57.319	. . . CHANNEL	1	-	SG20/2
EA1.57.320	. . . CHANNEL	1	-	SG20/3
EA6.57.101	. . . CHANNEL	1	-	SG20/4
EA6.57.102	. . . CHANNEL	1	-	SG20/5
	Attaching parts for EA1.57.319, EA1.57.320, EA6.57.101 and EA6.57.102 :-			
A28/1C	. . . Bolt, 2BA	2	-	SG20/6
AGS2001C3	. . . Nut, 2BA	2	-	SG20/7
SP15C	. . . Washer	2	-	SG20/8
EA1.57.317	. . . CLIP, pipe, special	5	L72	SG20/9
AS4525/8	. . . CLIP, pipe	5	-	SG20/9A
	Attaching parts for EA1.57.317 and AS4525/8:-			
A25/1B	. . . Bolt, 4BA	1	-	SG20/10
A25/2B	. . . Bolt, 4BA	1	-	SG20/11
A25/3B	. . . Bolt, 4BA	1	-	SG20/12
A25/4B	. . . Bolt, 4BA	1	-	SG20/13
AGS2001B1	. . . Nut, 4BA	2	-	SG20/14
SP15B	. . . Washer, 4BA	2	-	SG20/15
SP01J	. . . CLIP, hose	2	-	SG20/16
SP91C	. . . CLIP, hose	4	-	SG20/17
SP91A	. . . CLIP, bonding	4	-	SG20/18
AS4525/20	. . . CLIP, bonding	2	-	SG20/19
EEAS164/8/20	. . . HOSE, rubber, 1/2" i/d x 3/4" o/d x 2" long	2	DTD625	SG20/20
EEAS164/20/30	. . . HOSE, rubber, 1/4" i/d x 1 5/8" o/d x 3" long	1	DTD625	SG20/21

SERVICES  
FUEL SYSTEM

Part Number	1 2 3 4 5 6	Description	No. Off	Mati. Spec.	Plate No.
EA6.57.93	. . .	PIPE, fuel, 1 1/2" o/d x 20 SWG	1	L56	SG20/22
EA6.57.95	. . .	PIPE, fuel, 1 1/2" o/d x 20 SWG	1	L56	SG20/23
EA6.57.97	. . .	PIPE, air, 1/2" o/d x 20 SWG	1	L56	SG20/24
EA6.57.99	. . .	PIPE, air, 1/2" o/d x 20 SWG, port	1	L56	SG20/25
EA6.57.100	. . .	PIPE, air, 1/2" o/d x 20 SWG, starboard	1	L56	SG20/26
EEAS66/5	. . .	RING, clamping, 1 5/8" i/d	2	L72	SG20/27
EEAS20/1DU	. . .	TAB, locking	1	DTD124	SG20/28
SELF PRIMING ENG. CO. LTD. SPE1706	. . .	VALVE, non-return, P24AMk. 2 (Pre-Mod 2690)	1	-	
SPE2706	. . .	VALVE, non-return, Type P24AMk. 3 (Mod 2690)	1	-	SG20/29
EB7.57.21	. .	PIPES, AIR, IN ENGINE NACELLE, ASSEMBLY PORT	-	-	
EB7.57.22	. .	PIPES, AIR, IN ENGINE NACELLE, ASSEMBLY STARBOARD	-	-	
		Spares for :-			
AGS1142C	. . .	ADAPTOR, nipple	6	-	SG18/20
AGS1130C	. . .	BANJO, body, connection to recuperator	1	-	SG18/1
		Attaching parts for AGS1130C :-			
AGS1213C	. . .	Bolt, banjo	1	-	SG18/2
AGS1138C	. . .	Washer	2	-	SG18/3
AGS1617/7	. . .	CLEAT	5	-	SG18/4
		Attaching parts :-			
AGS2001B4	. . .	Nut, stiff, 4BA	AR	-	SG18/4A
AGS564/21	. . .	Screw, round head, 4 BA x 3/8" long	AR	-	SG18/5
AGS564/23	. . .	Screw, round head, 4BA x 1/2" long	AR	-	SG18/5A
6R x 5/8"	. . .	Screw, P.K.	AR	-	SG18/6
AS2808-4-02	. . .	Tube, distance	AR	-	SG18/6A
SP15B	. . .	Washer	AR	-	SG18/7
SP16B	. . .	Washer	AR	-	SG18/7A
SP91C	. . .	CLIP	1	-	SG18/21
SP144/028	. . .	CLIP	1	-	SG18/22
EA1.57.861	. . .	COUPLING, pipe	1	DTD126	SG18/8
		Attaching parts for EA1.57.861 :-			
A25/1C	. . .	Bolt, 2BA	2	-	SG18/8A
AGS2001C1/66	. . .	Nut, 2BA	2	-	SG18/8B
LOCKHEED MPA30068/4	. . .	FILTER, PUROLATOR, ASSEMBLY	1	-	SG18/9
		Spares for :-			
MPA30110	. . .	ELEMENT, complete	1	-	SG18/10
MPA29540	. . .	GASKET	2	-	SG18/11

R

SERVICES  
FUEL SYSTEM

Part Number	Description	No. Off	Matl. Spec.	Plate No.
EB6.57.55	. . . PIPE, assembly, from hose coupling joint to running coupling at purolator, port	1	-	SG18/12
EB6.57.56	. . . PIPE, assembly, from hose coupling joint to running coupling at purolator, starboard	1	-	SG18/13
EA3.57.471	. . . PIPE, assembly, from restrictor coupling forward of main spar to non-return valve, connection, port	1	T26	SG18/14
EA3.57.472	. . . PIPE, assembly, from restrictor coupling forward of main spar to non-return valve connection, starboard	1	T26	SG18/15
EB7.57.211	. . . PIPE, assembly, from purolator to fuel recuperator banjo connection, port	1	-	SG18/16
EB7.57.212	. . . PIPE, assembly, from purolator to fuel recuperator banjo connection, starboard	1	-	SG18/17
EB7.57.213	. . . PIPE, assembly, from recuperator banjo connection to coupling forward of main spar, port	1	-	SG18/18
EB7.57.214	. . . PIPE, assembly, from recuperator banjo connection to coupling forward of main spar, starboard	1	-	SG18/19
EA1.57.351	. . . RESTRICTOR	1	-	SG18/23
EB7.57.187	. . PIPES, RECUPERATOR, AFT OF SPAR, ASSEMBLY, PORT	-	-	
EB7.57.188	. . PIPES, RECUPERATOR, AFT OF SPAR, ASSEMBLY, STARBOARD	-	-	
EB7.57.265	. . . BRACKET, port	1	-	SG16/1
EB7.57.266	. . . BRACKET, starboard	1	-	SG16/2
AGS2080/3	. . . CLIP, pipe	8	-	SG16/3
AGS2080/6	. . . CLIP, pipe	8	-	SG16/4
AGS2080/8	. . . CLIP, pipe	2	-	SG16/5
AS4525/3	. . . CLIP, pipe	3	-	SG16/6
AGS2081/6	. . . CLIP, pipe	3	-	SG16/7
	Attaching parts for AGS2080/3, AGS2080/6, AGS2080/8, AS4525/3 and AGS2081/6 :-			
A25/1C	. . . Bolt, 2BA	1	-	SG16/8
A25/2C	. . . Bolt, 2BA	1	-	SG16/9
AGS2001C1/66	. . . Nut, stiff, 2BA	1	-	SG16/10
EEAS21A8CR	. . . Washer, 'D'	1	-	SG16/11
EEAS21A8CRH	. . . Washer, 'D'	1	-	SG16/12
SP13C	. . . Washer	1	-	SG16/12A
AGS1102A	. . . CONE, union body	1	-	SG16/13
AGS1102C	. . . CONE, union body	1	-	SG16/14
AGS1111A	. . . CONE, union body, flanged	2	-	SG16/15
	Attaching parts for AGS1111A :-			
A25/2B	. . . Bolt, 4BA	3	-	SG16/16
A27BP	. . . Nut, 4BA	3	-	SG16/17
AGS1115/1	. . . Washer, plate	1	-	SG16/18
SP13B	. . . Washer	3	-	SG16/18A

SERVICES  
FUEL SYSTEM

Ref. No.	Part No.	Description	No. off	Mater. Spec.	Cl. of Equip M.R. L.M.	Plate No.
28F/1036557	AGS1111C	. . . CONE, union body, flanged Attaching parts for AGS1111C:—	2	—	C	SG16/19
28D/9133011	A25/2C	. . . Bolt, 2BA	3	—	C	SG16/20
28M/9403520	A27CP	. . . Nut, 2BA	3	—	C	SG16/21
28F/9128929	AGS1115/4	. . . Washer, plate	1	—	C	SG16/22
28W/9419402	SP13C	. . . Washer	3	—	C	SG16/22A
46371	EB7.57.249	. . . PIPE, assembly, air balance, from connection aft of main spar to connection at outer wing, rib 1, port	1	—	—	SG16/23
6101337	EB7.57.250	. . . PIPE, assembly, air balance, from connection aft of main spar to connection at outer wing, rib 1, starboard	1	—	—	SG16/24
28585	EB7.57.251	. . . PIPE, assembly, air balance, across engine nacelle, from connection at outer wing rib 1 to connection at inner wing rib 7, port	1	—	C	SG16/25
31534	EB7.57.252	. . . PIPE, assembly, air balance, across engine nacelle, from connection at outer wing rib 1 to connection at inner wing rib 7, starboard	1	—	C	SG16/26
24675	EB7.57.253	. . . PIPE, assembly, air balance, from connection at rib 7, to connection between ribs 4 and 5 inner wing, port	1	—	C	SG16/27
38737	EB7.57.254	. . . PIPE, assembly, air balance, from connection at rib 7, to connection between ribs 4 and 5 inner wing, starboard	1	—	C	SG16/28
24676	EB7.57.255	. . . PIPE, assembly, air balance, from connection between ribs 4 and 5 to fuselage connection, port	1	—	C	SG16/29
6101272	EB7.57.256	. . . PIPE, assembly, air balance, from connection between ribs 4 and 5 to fuselage connection, starboard	1	—	—	SG16/30
24677	EB7.57.257	. . . PIPE, assembly, fuel bleed line, from connection between ribs 4 and 5 to fuselage connection, port	1	—	C	SG16/31
38738	EB7.57.258	. . . PIPE, assembly, fuel bleed line, from connection between ribs 4 and 5 to fuselage connection, starboard	1	—	C	SG16/32
24678	EB7.57.259	. . . PIPE assembly, fuel bleed line, from connection aft of main spar to connection at outer wing rib 1, port	1	—	C	SG16/33
38739	EB7.57.260	. . . PIPE, assembly, fuel bleed line, from connection aft of main spar to connection at outer wing rib 1, starboard	1	—	C	SG16/34

SERVICES  
FUEL SYSTEM

Ref. No.	Part No.	Description	No. off	Matl. Spec.	Cl. of Equip M.R. L.M.	Plate No.
24679	EB7.57.261	. . . PIPE, assembly, fuel bleed line, across engine nacelle from connection at outer wing rib 1 to connection at inner wing rib 7, port	1	—	C	SG16/35
38740	EB7.57.262	. . . PIPE, assembly, fuel bleed line, across engine nacelle from connection at outer wing rib 1 to connection at inner wing rib 7, starboard	1	—	C	SG16/36
24680	EB7.57.263	. . . PIPE, assembly, fuel bleed line, from connection at rib 7 to connection between ribs 4 and 5, inner wing, port	1	—	C	SG16/37
38741	EB7.57.264	. . . PIPE, assembly, fuel bleed line, from connection at rib 7 to connection between ribs 4 and 5, inner wing, starboard	1	—	C	SG16/38
	EB7.57.9	. . PIPES, FUEL, DELIVERY INTEGRAL TANK, PORT, ASSEMBLY	—	—	—	
	EB7.57.10	. . PIPES, FUEL, DELIVERY INTEGRAL TANK, STARBOARD, ASSEMBLY	—	—	—	
41888	EA9.20.47 or EA9.20.2767	. . . ADAPTOR, drain	1	—	MR/C	SG14/42
5917	EA6.57.81	. . . ADAPTOR, nipple, non-return valve to rear fuel cock actuator	1	S94	C	SG14/43
24670	EB6.57.45	. . . BRACKET, support, actuated fuel cock, front, port	1	L72	—	SG14/6
24671	EB6.57.47	. . . BRACKET, support, actuated fuel cock, front, starboard	1	L72	—	SG14/7
24669	EB6.57.43	. . . BRACKET, support, actuated fuel cock, rear, port	1	L72	C	SG14/44
24672	EB6.57.49	. . . BRACKET, support, actuated fuel cock, rear, starboard	1	L72	C	SG14/45
		Attaching parts for EB6.57.43, EB6.57.45, EB6.57.47 and EB6.57.49:—				
28D/9436920 28W/9419402	A25/1C SP13C	. . . Bolt, 2BA	4	—	C	SG14/8
		. . . Washer	4	—	C	SG14/8A
1255	EA1.57.259	. . . CLIP, pipe, adjacent to rib 2A	1	L72	C	SG14/9
24673	EB6.57.51	. . . CLIP, pipe, through rib 2A, port	1	L72	—	SG14/10
24674	EB6.57.52	. . . CLIP, pipe, through rib 2A, starboard	1	L72	—	SG14/11
		Attaching parts for EA1.57.259, EB6.57.51 and EB6.57.52:—				
28D/9436920 28M/1012015 28W/9419402	A25/1C AGS2001C1/66 SP13C	. . . Bolt, 2BA	2	—	C	SG14/12
		. . . Nut, stiff, 2BA	2	—	C	SG14/13
		. . . Washer	2	—	C	SG14/14
5K/2231768	AS4525/20	. . . CLIP, bonding	QR	—	C	SG14/46

## SERVICES

## FUEL SYSTEM

Part Number	Description					No. Off	Matl. Spec.	Plate No.
	1	2	3	4	5			
E.E.CO.LTD. BRADFORD TYPE 219 Mk.1	.	.	.	.	COCK, FUEL, ACTUATED, ASSEMBLY Consisting of:—	2	—	SG14/18
5W/4511895	.	.	.	.	ACTUATOR, Type 200, Mk.1	1	—	SG14/19
5W/4489235 SAUNDERS EA2.A.10 AGS2001C1/66	.	.	.	.	ADAPTOR, c/w label	1	—	SG14/20
	.	.	.	.	COCK	1	—	SG14/21
	.	.	.	.	NUT, stiff, 2BA	2	—	SG14/22
	.	.	.	.	Attaching parts for Type 219 Mk1:—			
A25 <sup>1</sup> / <sub>2</sub> C SP47C	.	.	.	.	Bolt, 2BA	3	—	SG14/23
	.	.	.	.	Washer, spring	3	—	SG14/23A
AS3360B4B	.	.	.	.	LEAD, bonding	OR	—	SG14/24
AGS2120J	.	.	.	.	NIPPLE	4	—	SG14/26
AGS1142J	.	.	.	.	NIPPLE, adaptor	9	—	SG14/25
AGS1142B	.	.	.	.	NIPPLE, adaptor	1	—	
EB6.57.25	.	.	.	.	PACKING, fireproof, for fuel pipe, through rib 1	1	Bells Millboard	SG14/27
	.	.	.	.	Attaching parts for EB6.57.25:—			
A25/3B	.	.	.	.	Bolt, 4BA	8	—	SG14/47
AGS2001B1	.	.	.	.	Nut, stiff, 4BA	8	—	SG14/48
EB6.57.23	.	.	.	.	Ring, half	2	S84	SG14/49
EB6.57.27	.	.	.	.	Ring, stiffening	1	DTD124	SG14/1
SP138	.	.	.	.	Washer	8	—	SG14/2
EB6.57.13	.	.	.	.	PIPE, assembly, branch, from actuated fuel cock and non-return valve to tank connection at rib 2, port	1	T26	SG14/3
EB6.57.14	.	.	.	.	PIPE, assembly, branch, from actuated fuel cock and non-return valve to tank connection at rib 2, starboard	1	T26	SG14/4
EB6.57.31	.	.	.	.	PIPE, assembly, drain, integral tank fuel pump at rib 2, port	1	L54	SG14/5
EB6.57.33	.	.	.	.	PIPE, assembly, drain, integral tank fuel pump at rib 2, starboard	1	L54	SG14/15
EB6.57.35	.	.	.	.	PIPE, assembly, from rib 1 to actuated fuel cock connection, port	1	L56	SG14/28
EB6.57.36	.	.	.	.	PIPE, assembly, from rib 1 to actuated fuel cock connection, starboard	1	L56	SG14/29
EB6.57.37	.	.	.	.	PIPE, assembly, from rib 1 to coupling in engine bay, port	1	T26	SG14/30
EB6.57.38	.	.	.	.	PIPE, assembly, from rib 1 to coupling in engine bay, starboard	1	T26	SG14/31
EB6.57.39	.	.	.	.	PIPE, assembly, branch, from fuel cock and non-return valve to recuperator, port	1	L54	SG14/32
EB6.57.41	.	.	.	.	PIPE, assembly, branch, from fuel cock and non-return valve to recuperator, starboard	1	L54	SG14/33

## SERVICES

## FUEL SYSTEM

Part Number	1 2 3 4 5 6	Description	No. Off	Matl. Spec.	Plate No.
EB6.57.149	. . .	PIPE, assembly, branch, from non-return valve to main and wing tank pipe connections port	1	T26	SG14/16
EB6.57.150	. . .	PIPE, assembly, branch, from non-return valve to main and wing tank pipe connections, starboard	1	T26	SG14/17
EA1.57.703	. . .	PIPE, assembly, from non-return valve branch pipe to coupling in engine nacelle, port	1	T26	SG14/34
EA1.57.704	. . .	PIPE, assembly, from non-return valve branch pipe to coupling in engine nacelle, starboard	1	T26	SG14/35
EA1.57.705	. . .	PIPE, assembly, from non-return valve branch pipe to connection at rib 2B	1	L56	SG14/36
AGS1140B	. . .	PLUG, nipple	1	-	SG14/37
EA6.57.83	. . .	SLEEVE, screwed, 1 <sup>1</sup> / <sub>4</sub> " BSP, non-return valve	1	DTD683	SG14/38
AGS904B	. . .	SLEEVE	1	-	SG14/39
SELF PRIMING SPE1706	. . .	VALVE, non-return, type P24A, Mk2 (Pre-Mod 2690)	2	-	
SPE2706	. . .	VALVE, non-return, type P24A, Mk3 (Mod 2960)	2	-	SG14/40
EEAS21/8DRH	. . .	WASHER, 'D', bonding	QR	L72	SG14/41
EB7.57.97	. . .	PIPES, FUEL, RECUPERATOR, OUTER WING ASSEMBLY, PORT	-	-	
EB7.57.98	. . .	PIPES, FUEL, RECUPERATOR, OUTER WING ASSEMBLY, STARBOARD Spares for:-	-	-	
EA9.20.47 or	. . .	ADAPTOR, drain	1	-	SG15/1
EA9.20.2767	. . .	ADAPTOR, drain	1	-	
AGS1129C	. . .	BANJO, body Attaching parts for AGS1129C:-	1	-	SG15/2
AGS1213C	. . .	Bolt, banjo	1	-	SG15/3
AGS1138C	. . .	Washer	2	-	SG15/4
EB7.57.95	. . .	BRACKET, port	1	-	SG15/4A
EB7.57.96	. . .	BRACKET, starboard	1	-	SG15/4B
EB7.57.185	. . .	BRACKET	1	-	SG15/4C
EB7.57.41	. . .	BRACKET, recuperator mounting, port	1	-	SG15/5
EB7.57.42	. . .	BRACKET, recuperator mounting, starboard Attaching parts for EB7.57.41 and EB7.57.42:-	1	-	SG15/6
A25/8C	. . .	Bolt, 2BA	4	-	SG15/7
AS2809/4/050	. . .	Tube, distance	4	-	SG15/8
SP13C	. . .	Washer	4	-	SG15/8A

SERVICES  
FUEL SYSTEM

Ref. No.	Part No.	Description	No. off	Matl. Spec.	Cl. of Equip M.R. L.M.	Plate No.
28E/9482116	AS5418/6	. . . . CLIP, 'P'	5	—	C	SG15/9
28E/4062064	AS5418/20	. . . . CLIP, 'P'	4	—	C	SG15/10
28E/1052524	AS5418/3	. . . . CLIP, 'P'	2	—	C	SG15/11
28E/7106271	AS5418/4	. . . . CLIP, 'P'	1	—	C	SG15/12
28E/9996125	AS5418/8	. . . . CLIP, 'P'	2	—	C	SG15/13
		Attaching parts for 'P' Clips:—				
28D/9436920	A25/1C	. . . . Bolt, 2BA	1	—	C	SG15/16
28D/9133011	A25/2C	. . . . Bolt, 2BA	1	—	C	SG15/17
28M/1012015	AGS2001C1/66	. . . . Nut, stiff, 2BA	1	—	C	SG15/18
28W/9419402	SP13C	. . . . Washer	1	—	C	SG15/18A
41419	EEAS21A8DR	. . . . Washer, 'D'	1	—	—	SG15/19
41420	EEAS21A8DRH	. . . . Washer, 'D'	1	—	—	SG15/20
28F/9489323	AGS1120/10	. . . . CONE, tee	1	—	C	SG15/21
28F/9129085	AGS1102A	. . . . CONE, union body	1	—	C	SG15/22
28F/9471001	AGS1102C	. . . . CONE, union body	1	—	C	SG15/23
28F/1013401	AGS1107A	. . . . CONE, union body	2	—	C	SG15/24
28F/9513028	AGS1107E	. . . . CONE, union reducing	1	—	C	SG15/25
5K/4346034	AS3360C9C	. . . . LEAD, bonding	1	—	C	SG15/26
5K/9471004	AS3360B6B	. . . . LEAD, bonding	1	—	C	SG15/27
28F/1013599	AGS1142A	. . . . NIPPLE, adaptor	1	—	C	SG15/28
28F/8011885	AGS1142B	. . . . NIPPLE, adaptor	2	—	C	SG15/29
28F/8011896	AGS1142C	. . . . NIPPLE, adaptor	5	—	C	SG15/30
28F/8011886	AGS1142D	. . . . NIPPLE, adaptor	1	—	C	SG15/31
28567	EB7.57.89	. . . . PANEL, assembly, port	1	—	C	SG15/32
38736	EB7.57.90	. . . . PANEL, assembly, starboard	1	—	C	SG15/33
12398	EB7.57.103	. . . . PIPE, assembly, air balance, from reducing union to tee piece in air line, port	1	—	C	SG15/34
12412	EB7.57.104	. . . . PIPE, assembly, air balance, from reducing union to tee piece in air line, starboard	1	—	C	SG15/35
12399	EB7.57.105	. . . . PIPE, assembly, from recuperator non-return bleed valve to reducing union connection, port	1	—	C	SG15/36
12413	EB7.57.106	. . . . PIPE, assembly, from recuperator non-return bleed valve to reducing union connection, starboard	1	—	C	SG15/37
12400	EB7.57.107	. . . . PIPE, assembly, fuel bleed line, from reducing union to coupling aft of main spar, port	1	—	C	SG15/38
12414	EB7.57.108	. . . . PIPE, assembly, fuel bleed line, from reducing union to coupling aft of main spar, starboard	1	—	C	SG15/39
12401	EB7.57.109	. . . . PIPE, assembly, drain, from recuperator to reducing union connection, port	1	—	C	SG15/40
12415	EB7.57.110	. . . . PIPE, assembly, drain, from recuperator to reducing union connection, starboard	1	—	C	SG15/41

SERVICES  
FUEL SYSTEM

AP101B-0415-3A

Ref. No.	Part No.	Description	No. off	Matl. Spec.	Cl. of Equip M.R. L.M.	Plate No.
12402	EB7.57.113	PIPE, assembly, air balance, from recuperator air inlet to reducing tee connection, port	1	—	C	SG15/42
12416	EB7.57.114	PIPE, assembly, air balance, from recuperator air inlet to reducing tee connection, starboard	1	—	C	SG15/43
12403	EB7.57.115	PIPE, assembly, air balance, from reducing tee to connection aft of main spar, port	1	—	C	SG15/44
12417	EB7.57.116	PIPE, assembly, air balance, from reducing tee to connection aft of main spar, starboard	1	—	C	SG15/45
12404	EB7.57.117	PIPE, assembly, air supply, from banjo fitting on rib 1 to non-return valve in recuperator air supply line, port	1	—	C	SG15/46
12418	EB7.57.118	PIPE, assembly, air supply, from banjo fitting on rib 1 to non-return valve in recuperator air supply line, starboard	1	—	C	SG15/47
12405	EB7.57.119	PIPE, assembly, air supply, from reducing valve to recuperator air inlet, port	1	—	C	SG15/48
12419	EB7.57.120	PIPE, assembly, air supply, from reducing valve to recuperator air inlet, starboard	1	—	C	SG15/49
26644	EB7.57.151	PIPE, assembly, drain, from reducing union to outlet adaptor, port	1	—	C	SG15/50
26645	EB7.57.152	PIPE, assembly, drain from reducing union to outlet adaptor, starboard	1	—	C	SG15/51
12406	EB7.57.167	PIPE, assembly, air balance, from reducing valve to reducing union, port	1	—	C	SG15/52
12420	EB7.57.168	PIPE, assembly, air balance, from reducing valve to reducing union, starboard	1	—	C	SG15/53
12407	EB7.57.277	PIPE, assembly, recuperator air supply from non-return valve to reducing valve, port	1	—	C	SG15/54
12421	EB7.57.278	PIPE, assembly, recuperator air supply from non-return valve to reducing valve, starboard	1	—	C	SG15/55
27F/2868	SELF PRIMING PRC40 Mk3	RECUPERATOR, type PRC40 Mk3 (Pre-Mod 4714)	1	—	A	SG15/56
	PRC40 Mk4	RECUPERATOR, type PRC40 Mk4 (Mod 4714)	1	—	A	
28F/9707349	AGS1114C	SLEEVE, screwed, flanged Attaching parts for AGS1114C:—	1	—	C	SG15/57
28D/9133011	A25/2C	Bolt, 2BA	3	—	C	SG15/58
28M/9403520	A27CP	Nut, stiff, 2BA	3	—	C	SG15/59
28F/4051652	AGS1115/5	Washer, plate	1	—	C	SG15/60
28W/9419402	SP13C	Washer	3	—	C	SG15/60A

SERVICES  
FUEL SYSTEM

Part Number	1 2 3 4 5 6	Description	No. Off	Matl. Spec.	Plate No.
EB7.57.77	. . .	STRAP, RECUPERATOR MOUNTING ASSEMBLY Spares for :-	1	-	SG15/61
EB7.57.69	. . . . .	PAD	2	DTD789	SG15/61A
AS2381	. . . . .	ROD, tension, 1/2" BSF	1	-	SG15/62
EB7.57.57	. . . . .	TRUNNION, L.H.	1	-	SG15/63
EB7.57.63	. . . . .	TRUNNION, R.H.	1	-	SG15/64
HYMATIC ENG. CO. C51690	. . .	VALVE, reducing, type PS29/16 (EB7.57.183) Attaching parts for C51690 :-	1	-	SG15/65
AGS2001B1	. . .	Nut, stiff, 4BA	4	-	SG15/66
SP13B	. . .	Washer	4	-	SG15/66A
SAUNDERS 703AA04 or VICKERS A5494MK. C EA1.57.257	. . .	VALVE, non-return, 3/8"	1	-	SG15/67
EA1.57.258	. . .	VALVE, non-return, 3/8" PIPES, FUEL AND AIR, DELIVERY, WING TIP, PORT, ASSEMBLY	-	-	
EA1.57.258	. . .	PIPES, FUEL AND AIR, DELIVERY, WING TIP, STARBOARD, ASSEMBLY Spares for :-	-	-	
AGS1617/9	. . .	CLEAT Attaching parts for AGS1617/9 :-	1	-	SG19/12
A25/2B	. . .	Bolt, 4BA	1	-	SG19/13
AGS2001B3	. . .	Nut	1	-	SG19/14
SP15B	. . .	Washer	1	-	SG19/14A
EA1.57.317	. . .	CLIP, pipe Attaching parts for EA1.57.317 :-	1	L72	SG19/1
A25/2B	. . .	Bolt, 4BA	2	-	SG19/15
AGS2001B1	. . .	Nut	2	-	SG19/16
SP15B	. . .	Washer	2	-	SG19/16A
EA1.57.343	. . .	CLIP, pipe Attaching parts for EA1.57.343 :-	1	L72	SG19/17
A61/3C	. . .	Bolt, 2BA	2	-	SG19/18
EA1.57.345	. . .	CLIP, pipe Attaching parts for EA1.57.345 :-	1	L72	SG19/19
A28/6C	. . .	Bolt, 2BA	1	-	SG19/20
AGS2001C3	. . .	Nut	1	-	SG19/21
EA1.57.257G	. . .	Tube, distance, 1/4" o/d x 0.528" long x 22 SWG	1	DTD310	SG19/22
SP15C	. . .	Washer	1	-	SG19/22A
SP91J	. . .	CLIP	6	-	SG19/23
SP91C	. . .	CLIP	6	-	SG19/24
SP91A	. . .	CLIP, bonding	5	-	SG19/25
AS4525/20	. . .	CLIP, bonding	5	-	SG19/26

SERVICES  
FUEL SYSTEM

Part Number	Description	No. Off	Mati. Spec.	Plate No.
EA1.57.265	. . . ELBOW, fuel pipe	1	DTD625	SG19/27
EA1.57.1243	. . . ELBOW, fuel pipe	1	DTD625	SG19/28
EEAS164/8/20	. . . HOSE, rubber, ½" i/d x ¾" o/d x 2" long	2	DTD625	SG19/2
EEAS164/20/30	. . . HOSE, rubber, 1½" i/d x 1 5/8" o/d x 3" long	2	DTD625	SG19/3
EA1.57.347	. . . PIECE, packing	1	—	SG19/29
EA1.57.257A	. . . PIPE, fuel delivery, from drop tank to wing tip joint, port	1	DTD310	SG19/30
EA1.57.258A	. . . PIPE, fuel delivery, from drop tank to wing tip joint, starboard	1	DTD310	SG19/31
EA1.57.257B	. . . PIPE, fuel delivery, from wing tip joint to main plane	1	DTD310	SG19/32
EA1.57.257C	. . . PIPE, air delivery, from drop tank to wing tip joint	1	DTD310	SG19/33
EA1.57.257D	. . . PIPE, air delivery, from wing tip joint to main plane	1	DTD310	SG19/34
EEAS66/5	. . . RING, clamping, for pipe clips 1 5/8" i/d	6	L72	SG19/35
EA1.57.1245	. . . RING, clamping, for pipe clips ½" i/d	2	L72	SG19/36
EB7.57.293	. . . VENTING, FUEL BETWEEN FRAME 30 AND FRAME 40, REAR FUELAGE, ASSEMBLY Spares for :-	—	—	
EB7.57.315	. . . BRACKET, fuel vent pipes	9	L59	SG12/12
EB7.57.317	. . . CLIP, for vent pipes Attaching parts for EB7.57.315 and EB7.57.317 :-	9	L59	SG12/13
A25/3C	. . . Bolt, 2BA	2	—	SG12/14
AGS2001C1/66	. . . Nut, stiff, 2BA	2	—	SG12/15
EB7.57.319	. . . Washer, corner	2	L72	SG12/16
SP15C	. . . Washer	2	—	SG12/16A
SP91J	. . . CLIP	16	—	SG12/30
AGS1661M	. . . CLIP, bonding	11	—	SG12/31
EEAS164/40/45	. . . HOSE, rubber, 2½" i/d x 3" o/d x 4½" long	4	DTD625	SG12/21
AS3360C7C	. . . LEAD, bonding	4	—	SG12/32
EG4.57.7	. . . MAST, OUTLET, INSTALLATION Spares for :-	—	—	
EG4.57.5	. . . OUTLET, mast Attaching parts for EG4.57.5 :-	1	—	SG12/33
EB7.57.303	. . . Gasket	1	—	SG12/34
EEAS1/2C	. . . Screw, 2BA	6	—	SG12/35
EB7.57.305	. . . PIPE, vent, from hose couplings, between frames 30 and 33	1	L56	SG12/36
EB7.57.307	. . . PIPE, vent, from hose couplings, between frames 32 and 36	1	L56 or L54	SG12/37
EB7.57.309	. . . PIPE, vent, from hose couplings between frames 35 and 38	1	L56	SG12/38
EB7.57.311	. . . PIPE, vent, from hose coupling between frames 37 and 41	1	L56	SG12/39

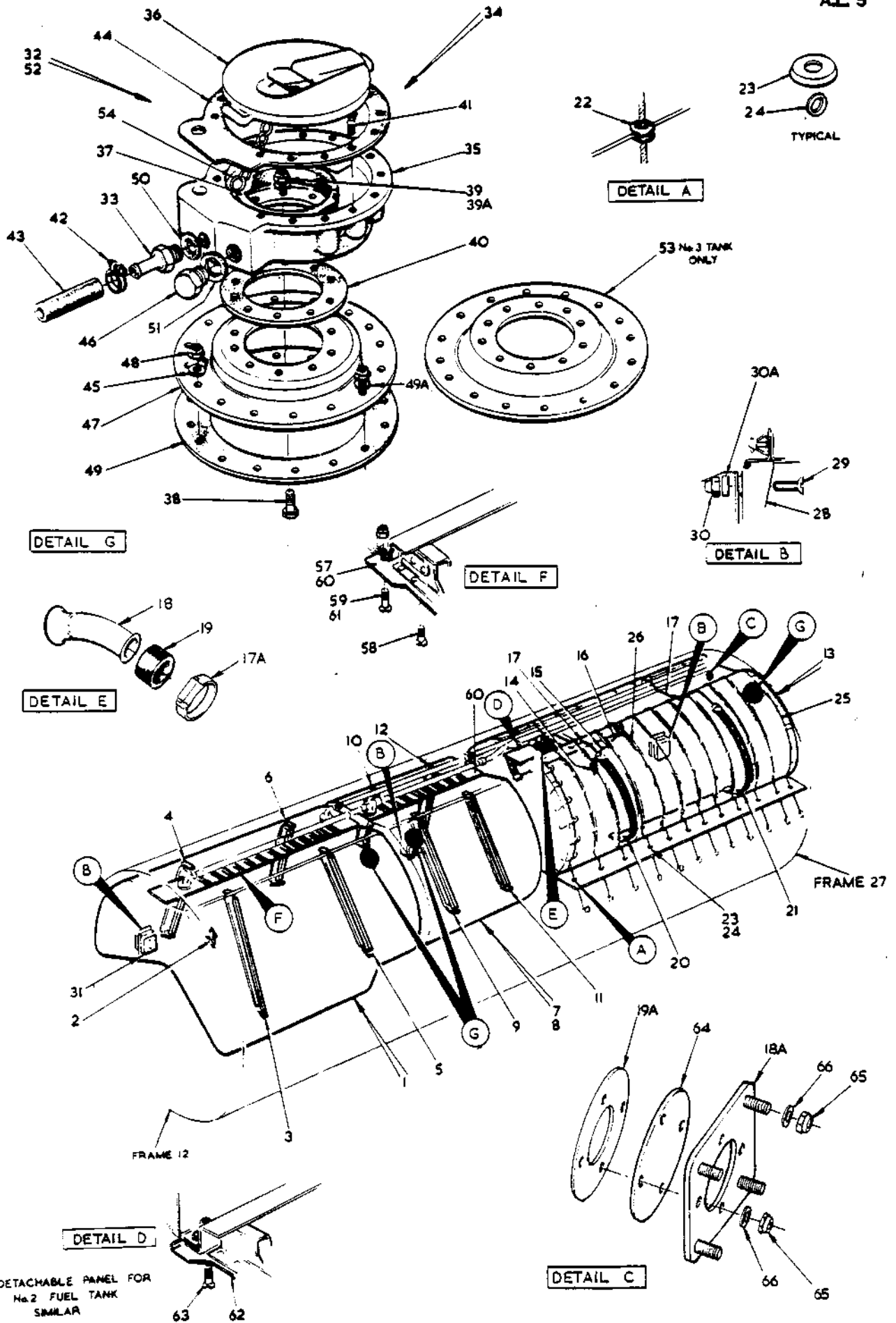


FIG. 1 FUEL SYSTEM

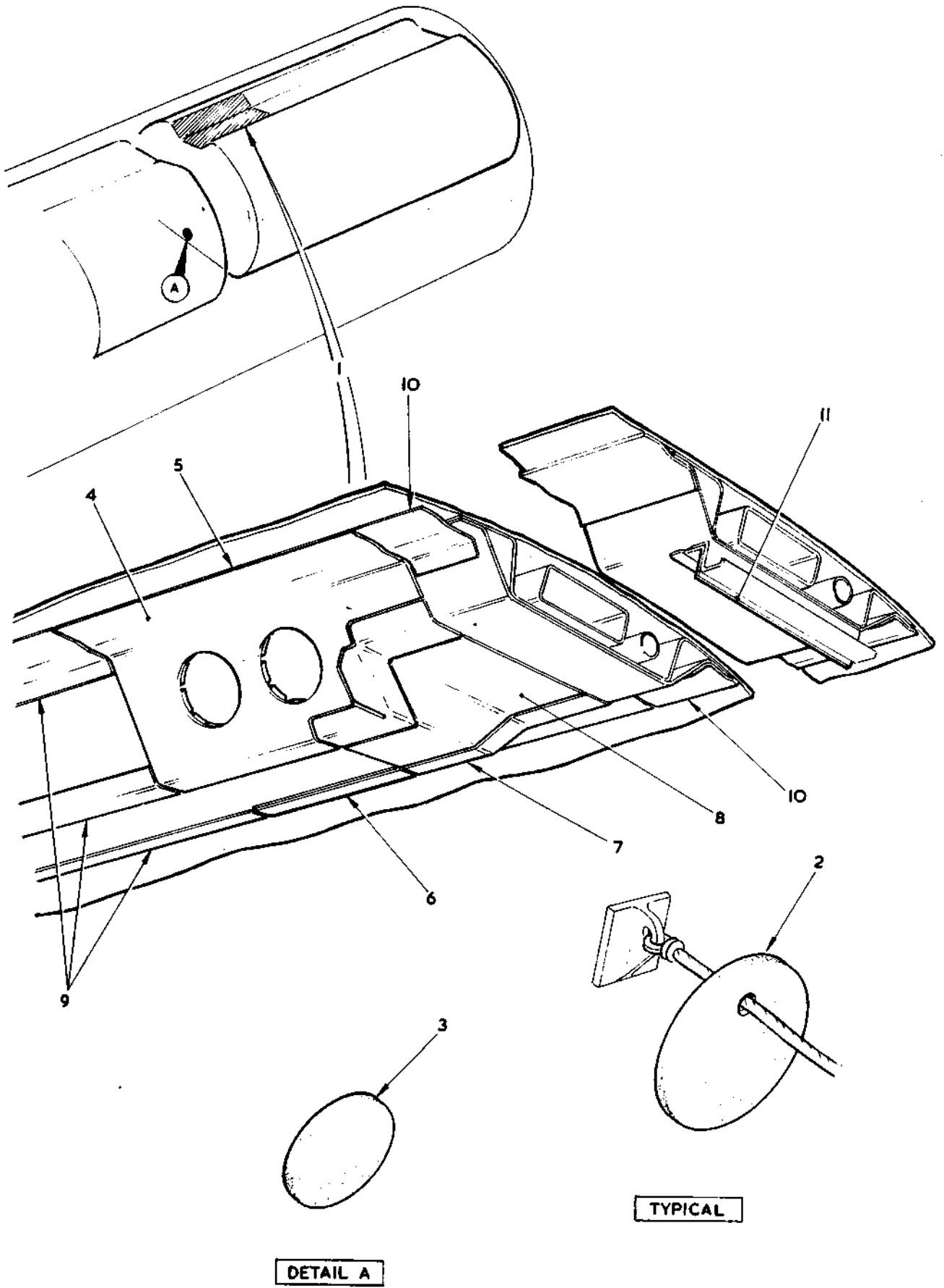


FIG.2 FUEL SYSTEM

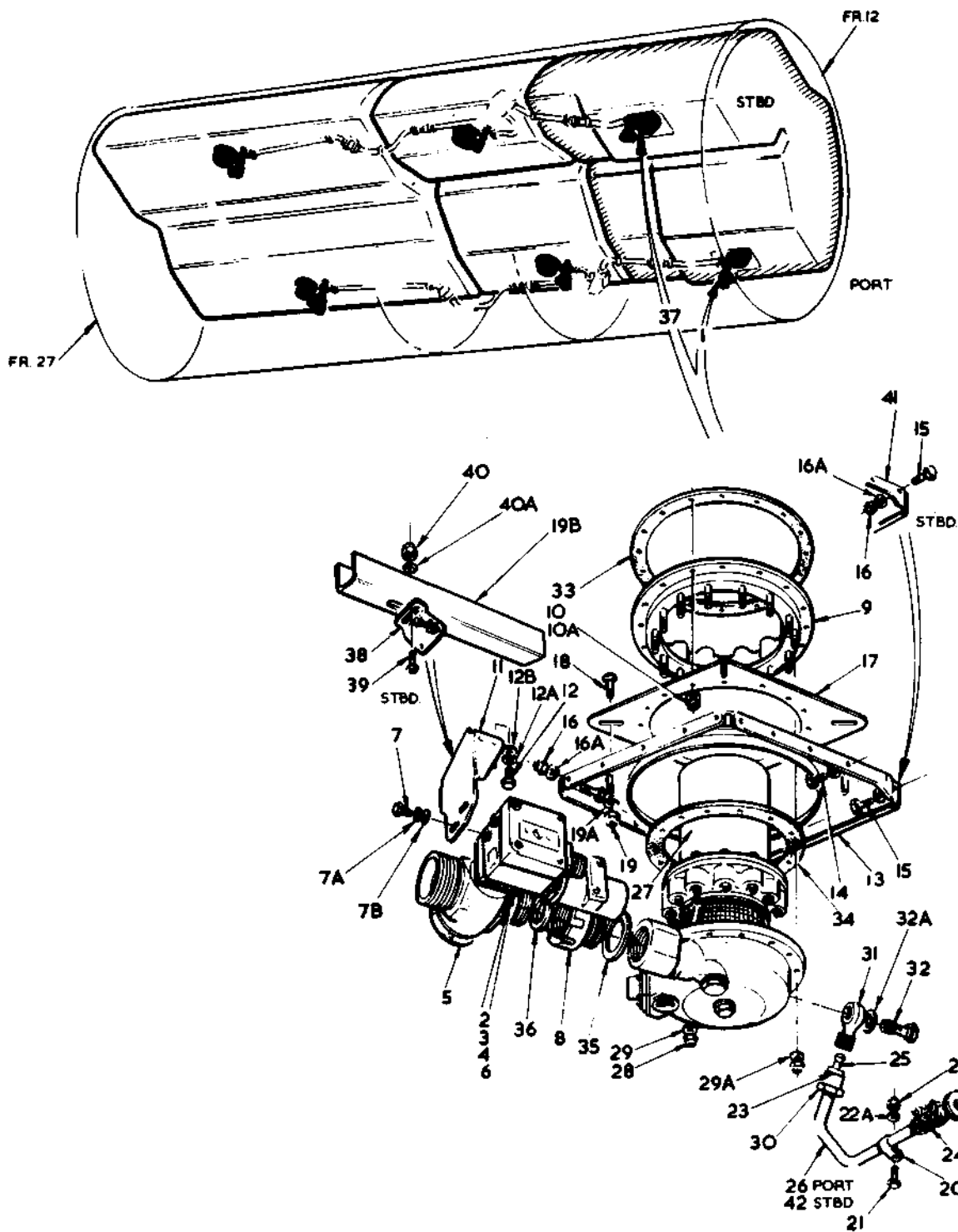


FIG.3 FUEL SYSTEM TANK No 1 P.&S.



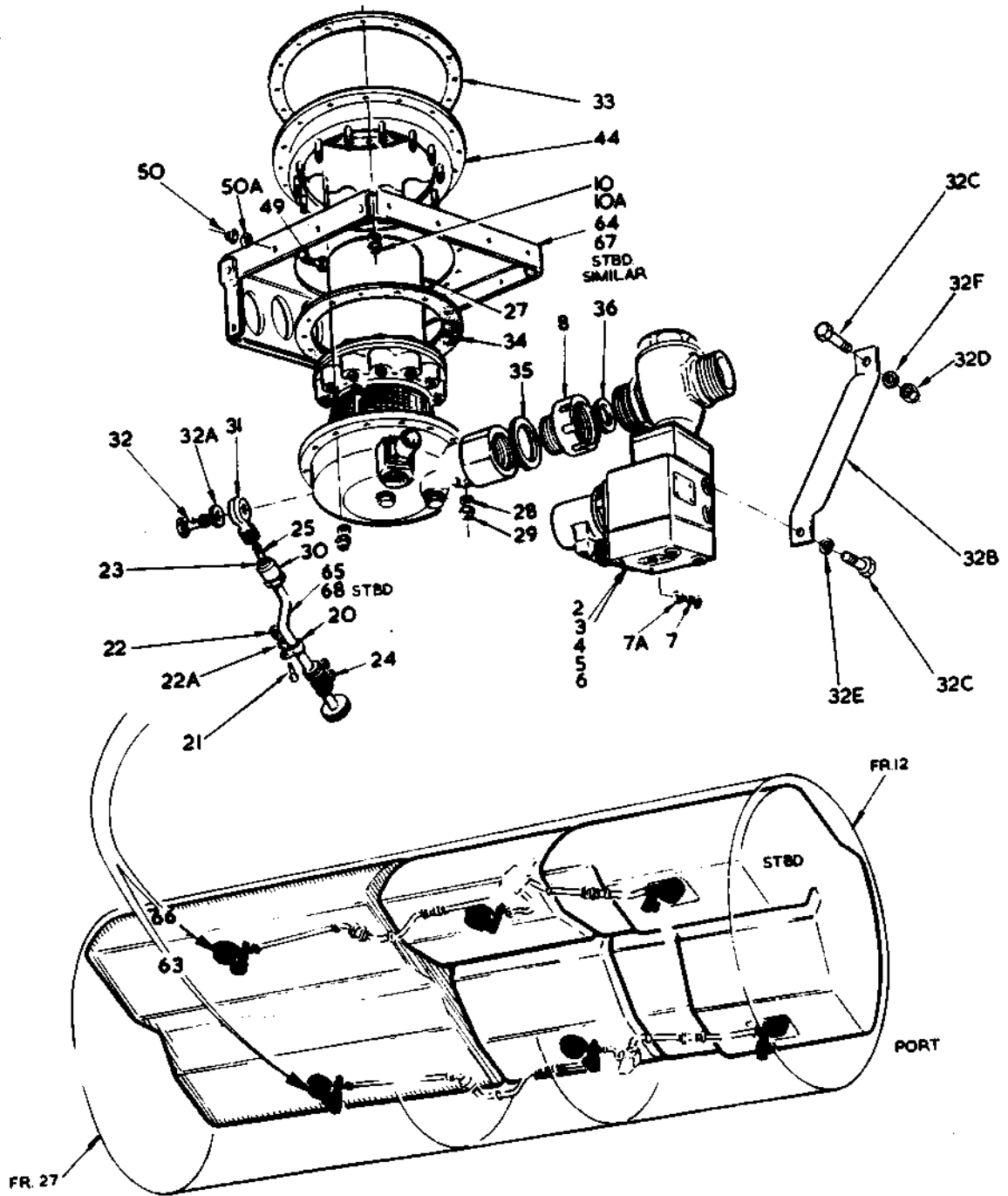


FIG 5 FUEL SYSTEM TANK No 3 PORT & STBD

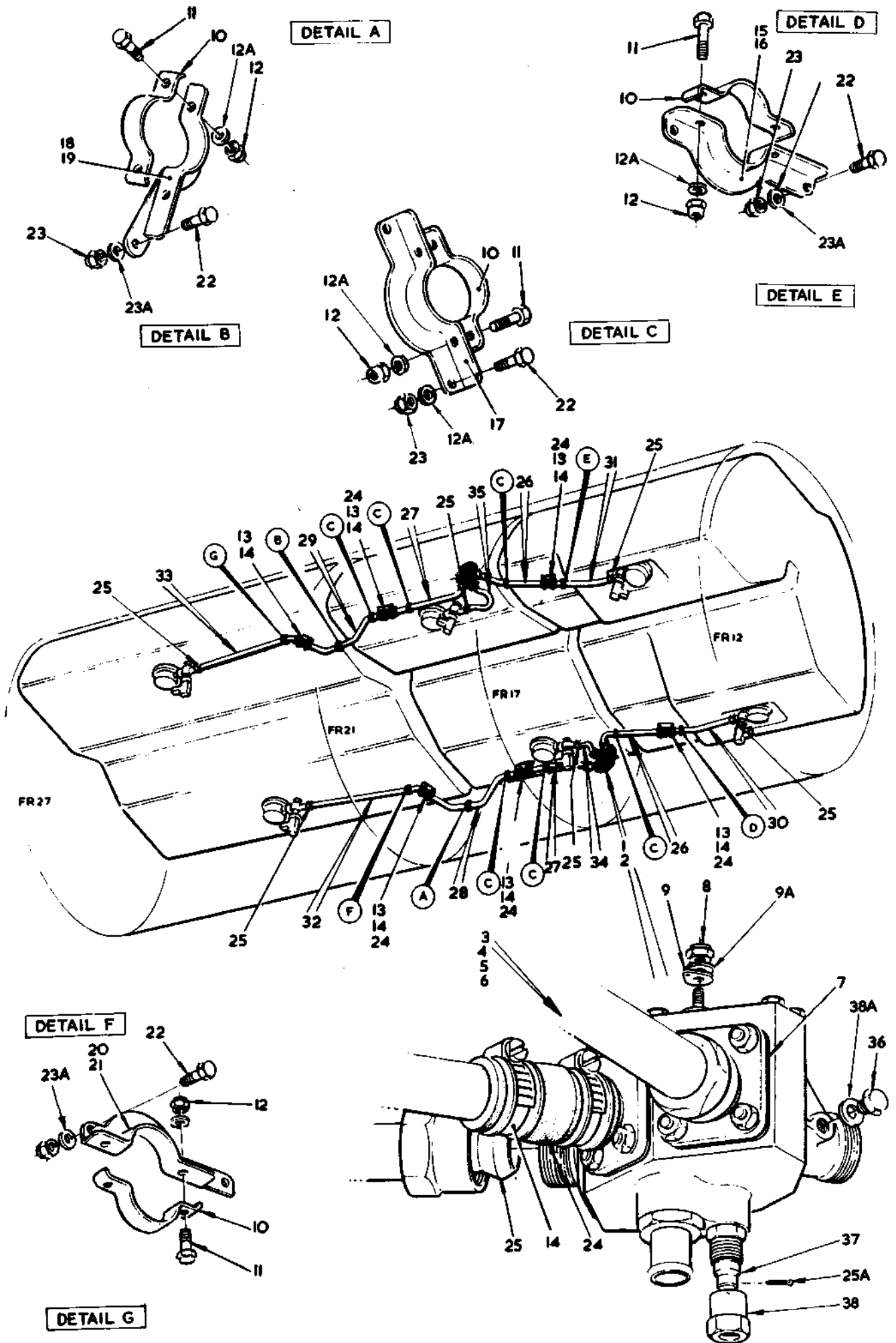


FIG. 6. FUEL SYSTEM

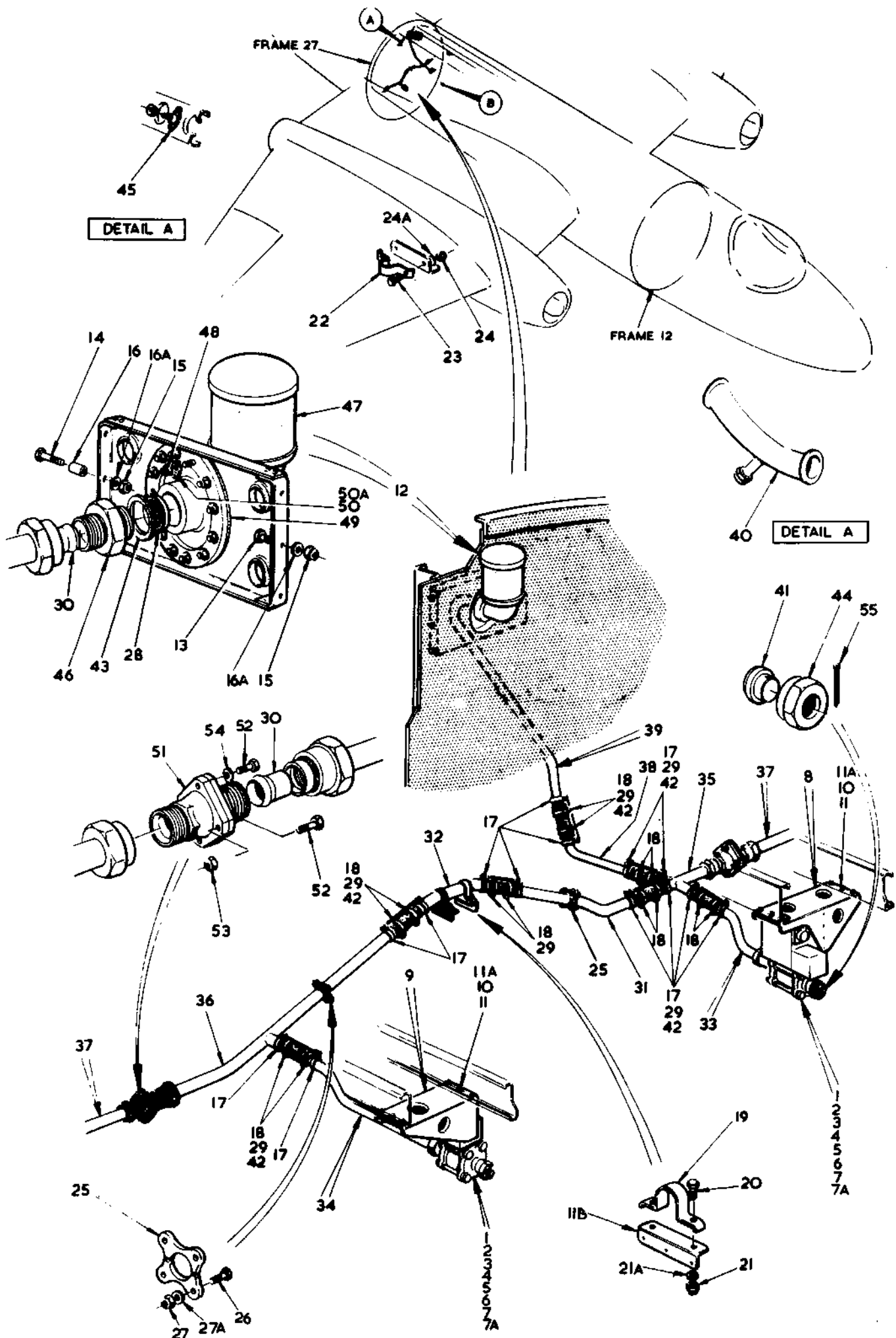


FIG.8 FUEL SYSTEM



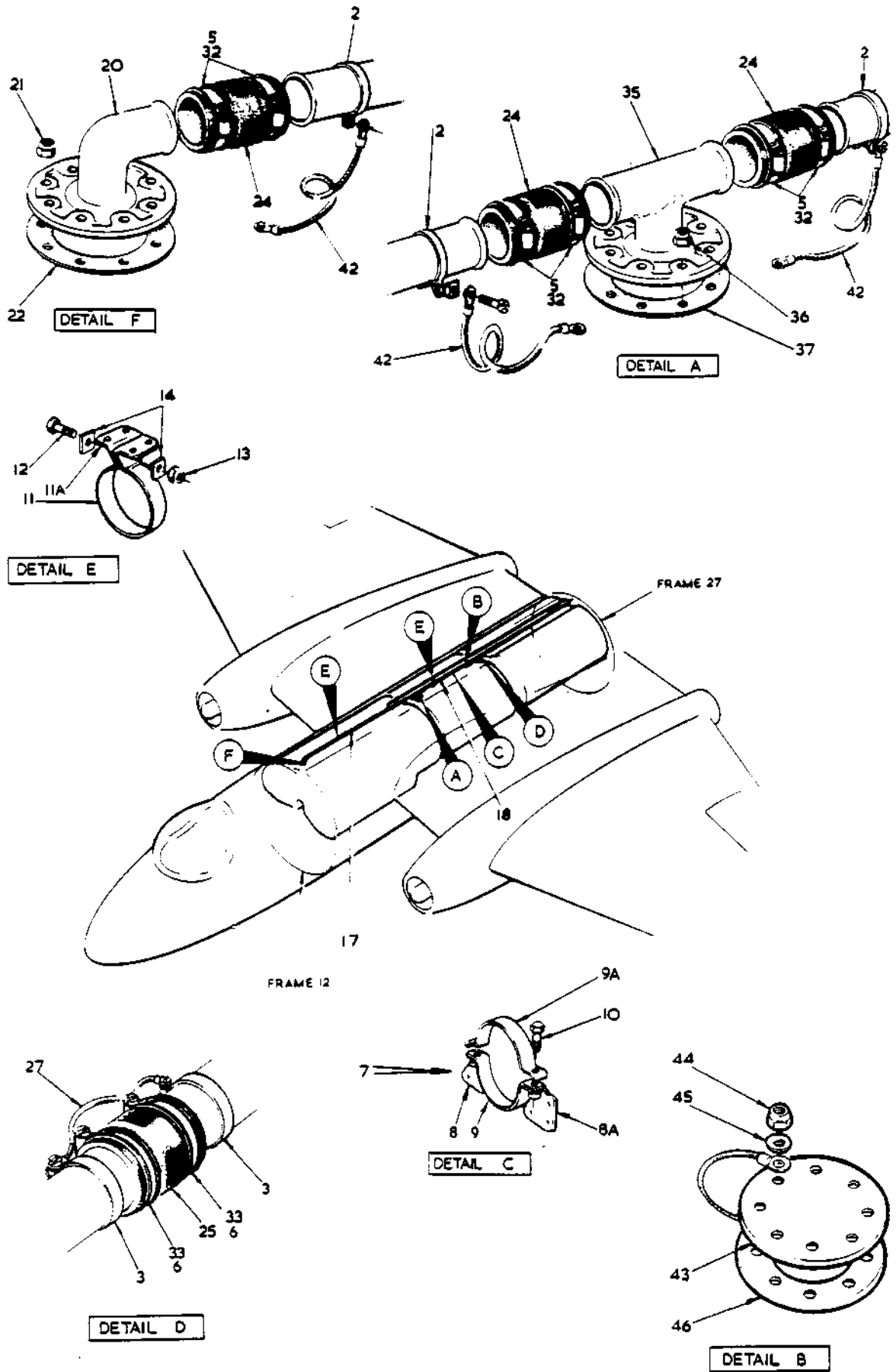
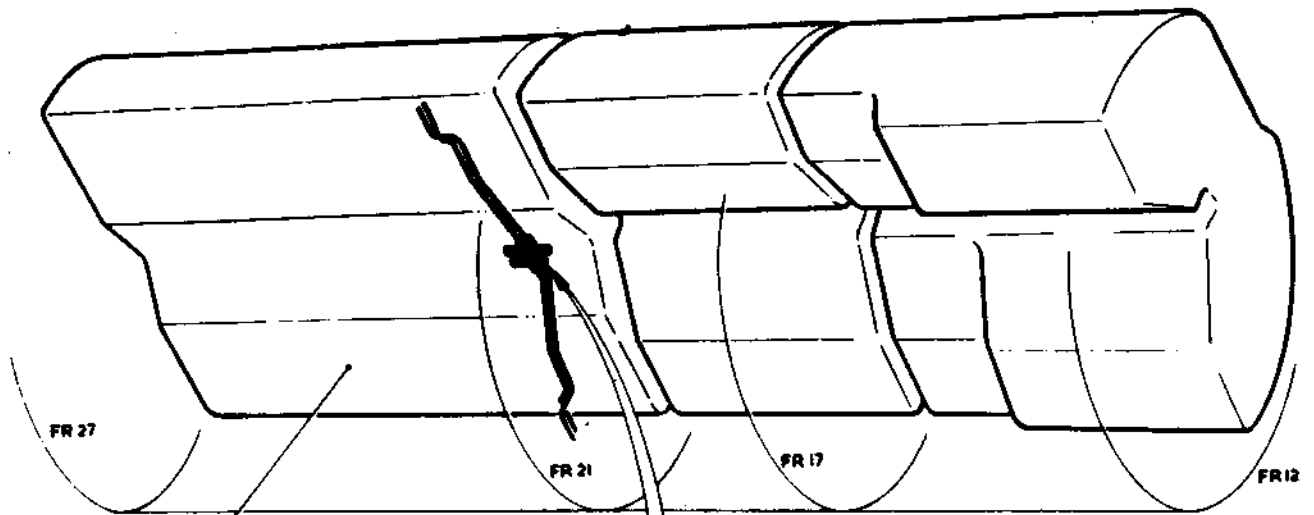


FIG. 10 FUEL SYSTEM



NO 3 TANK

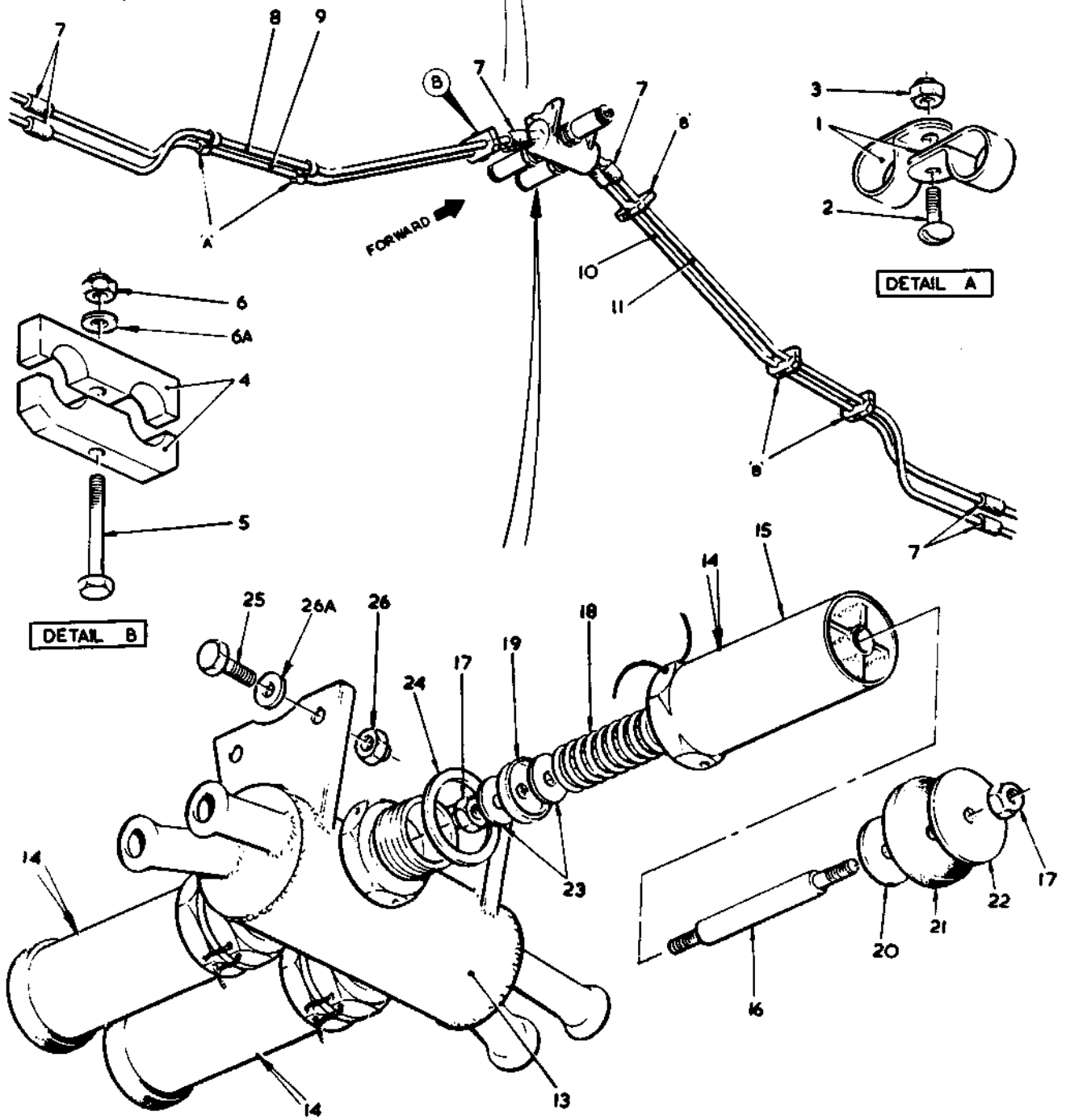


FIG.11 FUEL SYSTEM



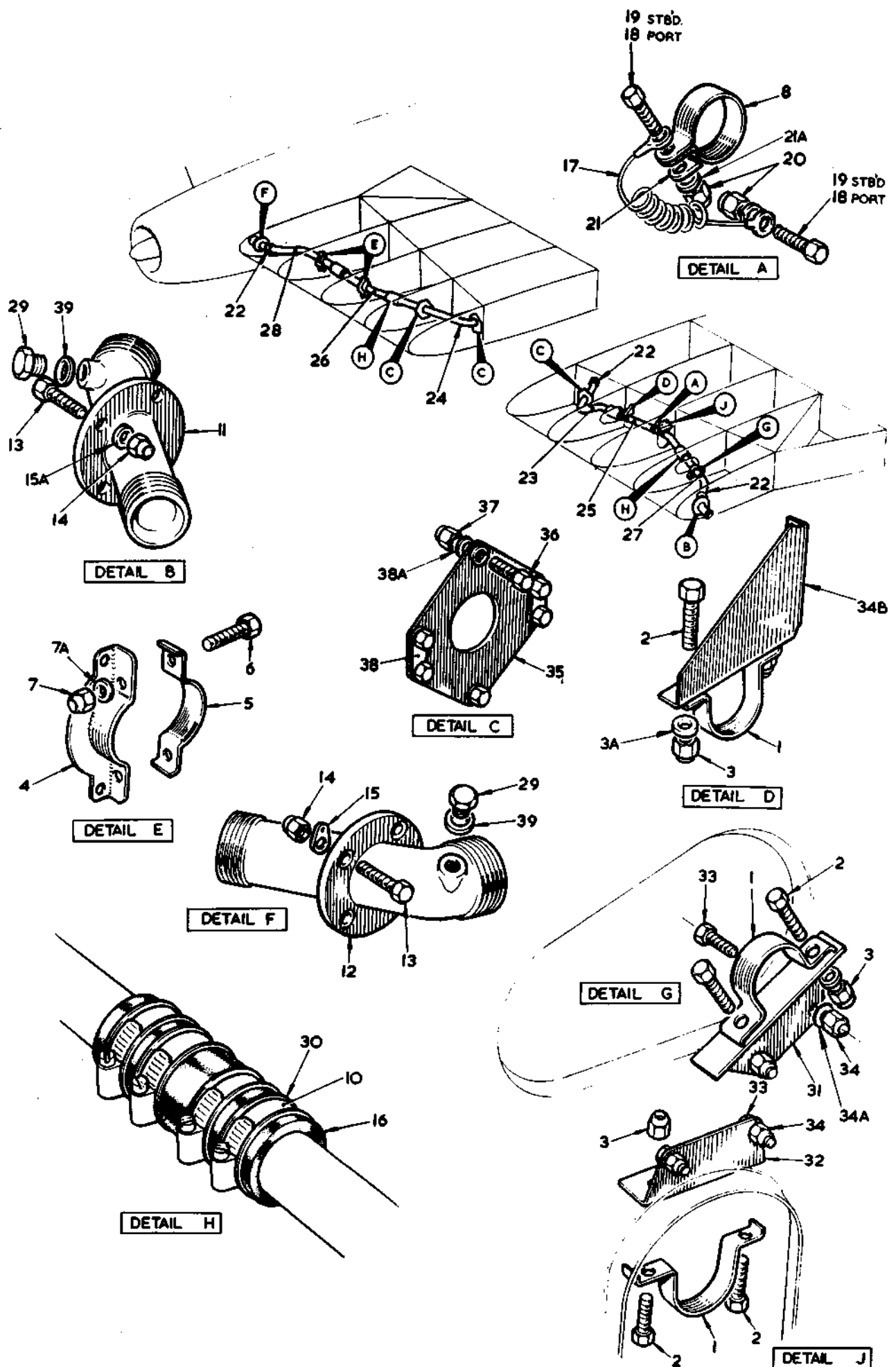
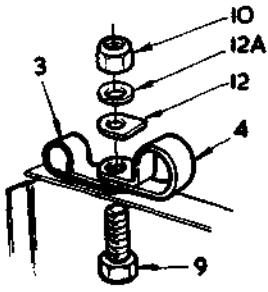


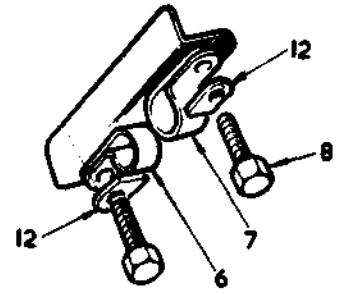
FIG. 13 FUEL SYSTEM



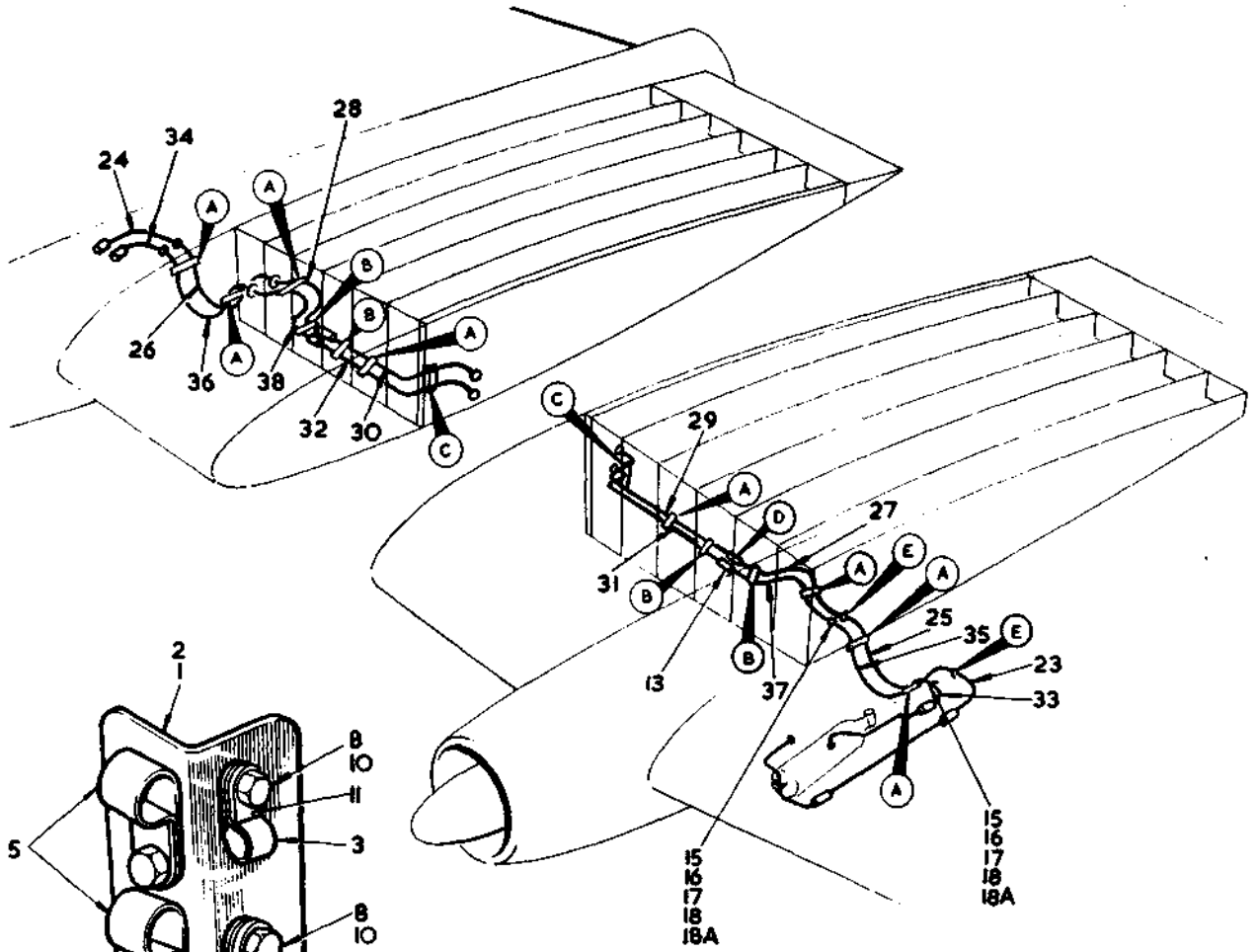




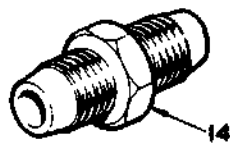
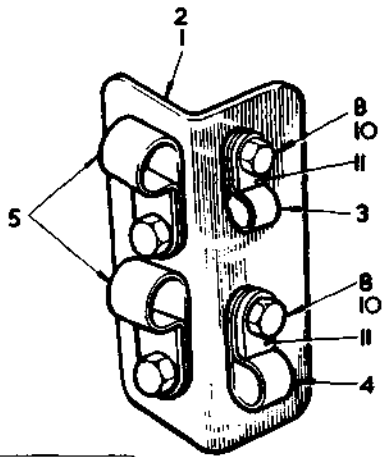
DETAIL A



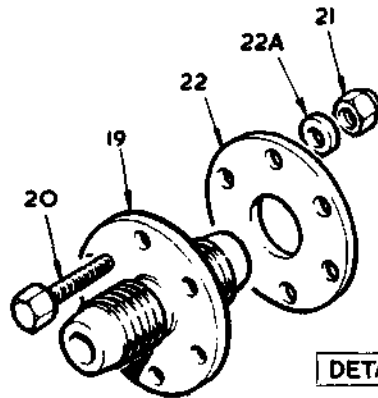
DETAIL B



DETAIL C



DETAIL D



DETAIL E

FIG.16 FUEL SYSTEM



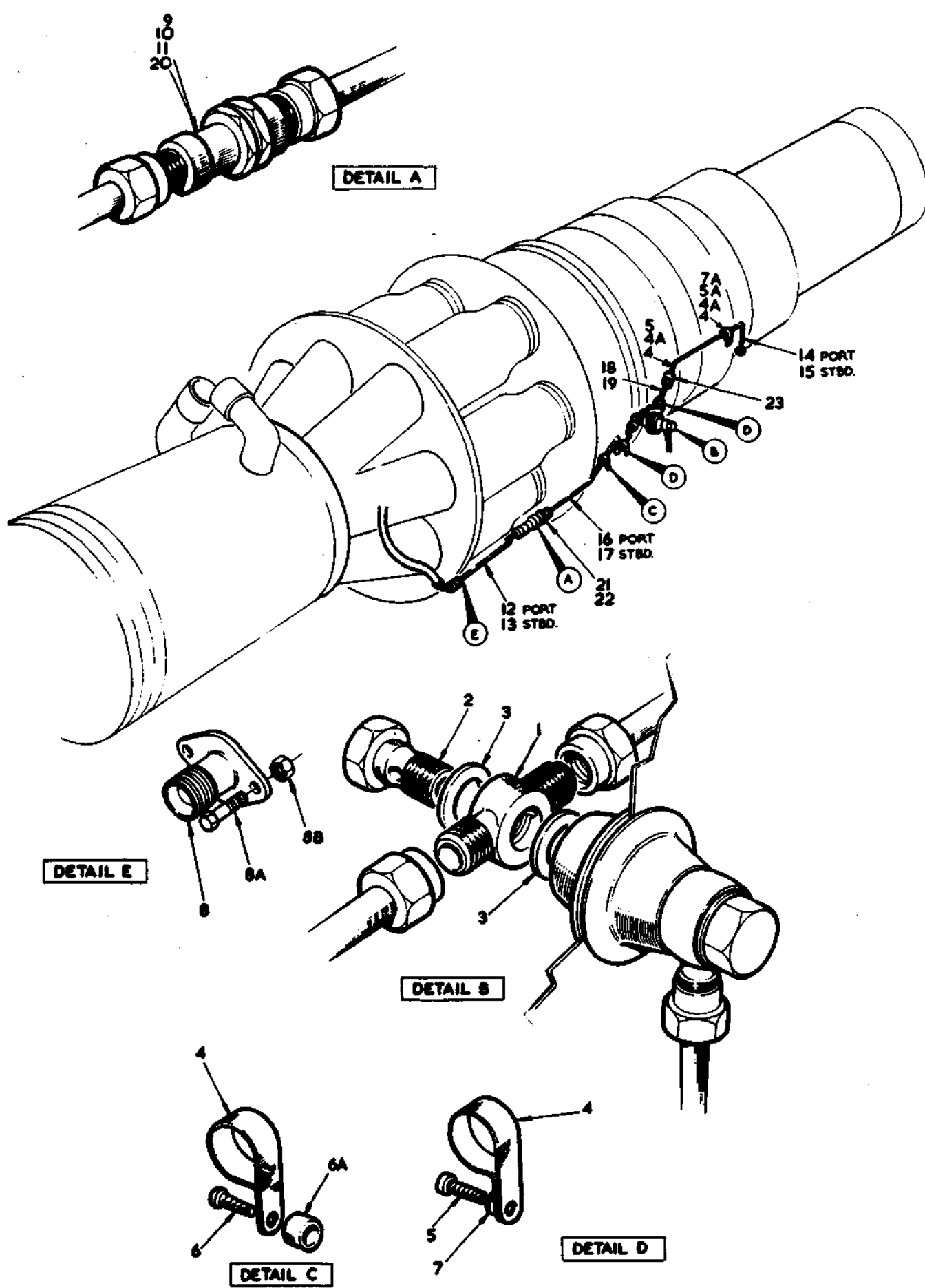


FIG. 18 FUEL SYSTEM

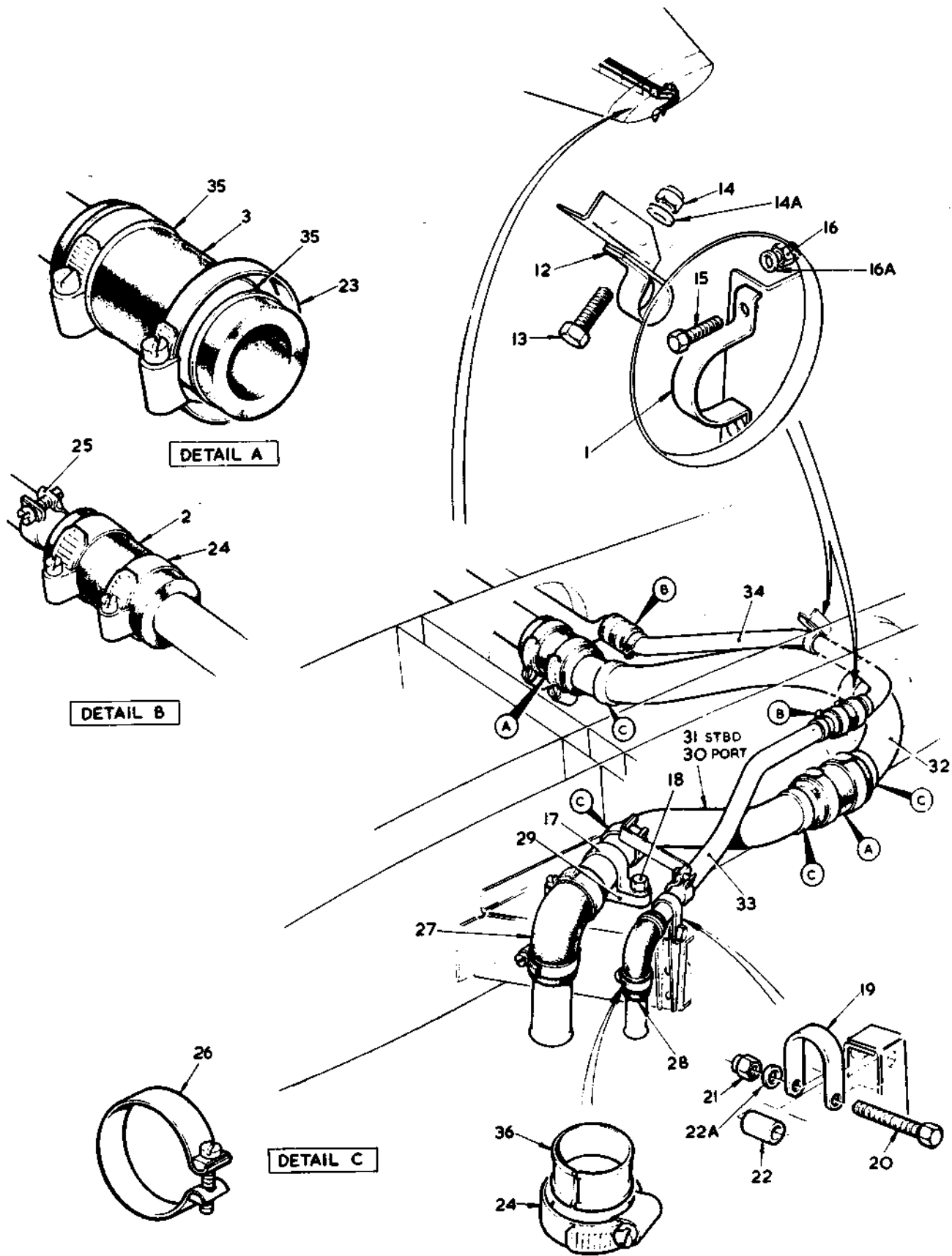


FIG. 19 FUEL SYSTEM

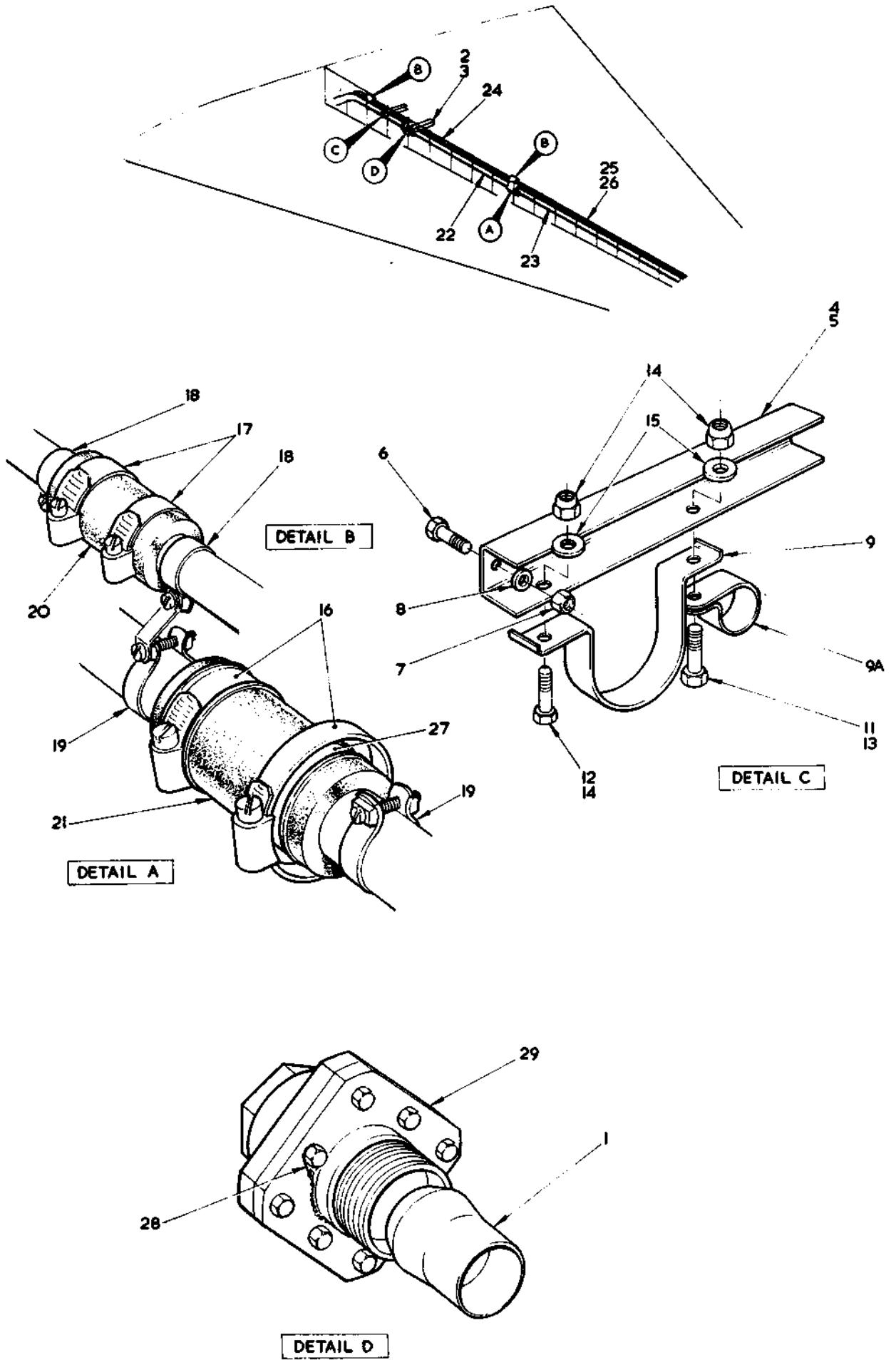


FIG. 20 FUEL SYSTEM

This file was downloaded  
from the RTFM Library.

Link: [www.scottbouch.com/rtfm](http://www.scottbouch.com/rtfm)

Please see site for usage terms,  
and more aircraft documents.

