

## SERVICES

## OXYGEN SYSTEM

| Part Number     | Description   | No. Off | Mati. Spec. | Plate No. |   |
|-----------------|---|---------|-------------|-----------|---|
|                 |   |         |             |           | 1 |
| EG4.71.301      | OXYGEN SYSTEM, INSTALLATION (MOD 4799)<br>Spares for:—  | —       | —           |           |   |
| EG4.71.315      | . NAVIGATOR, No. 2, OXYGEN SYSTEM (MOD 4799)<br>Spares for:—  | —       | —           | SJ1/1     |   |
| 6D/1648         | . . ADAPTOR, inlet, banjo type, oxygen regulator  | 2       | —           | SJ1/2     |   |
| EEAS136         | . . BRACKET   | 6       | —           | SJ1/3     |   |
| AS4525/3        | . . CLIP, support (Mod 4799)  | 8       | —           | SJ1/4     |   |
| AS4525/5        | . . CLIP, support (Mod 4799)  | 4       | —           | SJ1/5     |   |
| AS4525/14       | . . CLIP, support (Mod 4799)<br>Attaching parts for clips:—   | 14      | —           | SJ1/6     |   |
| A25/1C          | . . Bolt, 2 BA  | QR      | —           | SJ1/7     |   |
| A25/2C          | . . Bolt, 2 BA  | QR      | —           | SJ1/8     |   |
| AGS2001C1       | . . Nut, stiff, 2 BA  | QR      | —           | SJ1/9     |   |
| AGS2002C1       | . . Nut, stiff, 2 BA  | QR      | —           | SJ1/10    |   |
| SP13C           | . . Washer  | QR      | —           | SJ1/11    |   |
| SP15C           | . . Washer  | QR      | —           | SJ1/12    |   |
| EEAS239/1A      | . . Washer 'D'  | QR      | —           | SJ1/13    |   |
| EEAS239/2A      | . . Washer 'D'  | QR      | —           | SJ1/13A   |   |
| SP91E           | . . CLIP, hose (SRIM 3533) (Mod 4799)   | QR      | —           | SJ1/14    |   |
| EB7.71.53       | . . FAIRLEAD, half, at frames A and 1<br>Attaching parts for EB7.71.53:—  | 4       | BS2572      | SJ1/15    |   |
| A25/3B          | . . Bolt, 4BA   | 2       | —           | SJ1/16    |   |
| AGS2001B1       | . . Nut, 4BA  | 2       | —           | SJ1/17    |   |
| EB7.71.55       | . . HOSE, connection  | 6       | —           | SJ1/18    |   |
| EB7.71.73       | . . MOUNTING, OXYGEN REGULATOR<br>Spares for:—  | 1       | —           | SJ1/19    |   |
| EB6.71.99       | . . . BRACKET, mounting   | 1       | —           | SJ1/20    |   |
| †               | . . . PACKING, 1/32" thick<br>Attaching parts for EB7.71.73:—   | QR      | Langite     | SJ1/21    |   |
| AS1248/1B       | . . Bolt, 4BA   | 6       | —           | SJ1/22    |   |
| 1660.99.2243528 | . . PIECE, connecting, 2-way  | 2       | —           | SJ1/23    |   |
| AGS1102BB       | . . PIECE, connecting, 2-way  | 1       | —           | SJ1/24    |   |
| 1660-99-2243645 | . . PIECE, connecting, 3-way  | 2       | —           | SJ1/25    |   |
| SCD79548/4      | . . PIPE, oxygen demand, from aft regulator to<br>hose connection (SRIM3533)<br>(Mod 4799) 7/8" o/d x 20 SWG                      | 1       | L56         | SJ1/26    |   |
| EB6.71.223      | . . PIPE, oxygen demand, between hose connections<br>at frame 8, and pressure bulkhead 7/8" o/d<br>x 22 SWG                       | 1       | L56         | SJ1/27    |   |
| EB6.71.225      | . . PIPE, oxygen demand, between hose connections<br>at pressure bulkhead and flexible hose<br>bracket, 7/8" o/d x 22 SWG         | 1       | L56         | SJ1/28    |   |
| EB7.71.91       | . . PIPE, oxygen demand, from nose regulator to hose<br>connection aft of frame A, 7/8" o/d x<br>22 SWG                           | 1       | L54         | SJ1/29    |   |
| EB7.71.93       | . . PIPE, oxygen demand, from hose connection aft of<br>frame A, to flexible pipe connection aft<br>of frame 2, 7/8" o/d x 22 SWG | 1       | L56         | SJ1/30    |   |
| EB6.71.157      | . . PIPE, assembly H.P., from oxygen gauge tee to<br>coupling connection  | 1       | T51         | SJ1/31    |   |
| EB6.71.159      | . . PIPE, assembly, H.P., from tee forward of<br>frame 2, to forward oxygen gauge   | 1       | T51         | SJ1/32    |   |

R  
R  
R  
R  
R  
R  
R  
R  
R

## SERVICES

## OXYGEN SYSTEM

| Part Number  | Description   | No. Off | Mati. Spec. | Plate No. |
|--------------|---|---------|-------------|-----------|
|              |   |         |             |           |
| EB6.71.161   | . . . PIPE, assembly, H.P., from rear oxygen gauge to tee connection  | 1       | T51         | SJ1/33    |
| SCD79548/5   | . . . PIPE, assembly, L.P., from aft regulator to coupling (SRIM3533) (Mod 4799) $\frac{5}{16}$ " o/d x 22 SWG                    | 1       | L56         | SJ1/34    |
| SCD79548/6   | . . . PIPE, assembly, L.P., continuation, from coupling to reducing valve tee (SRIM 3533) (Mod 4799) $\frac{5}{16}$ " o/d x 22SWG | 1       | L56         | SJ1/35    |
| EB6.71.195   | . . . PIPE, assembly, H.P., from stop valve on pressure bulkhead starboard, to coupling aft of frame 6                            | 1       | T51         | SJ1/36    |
| EB6.71.217   | . . . PIPE, assembly, H.P., from tee coupling forward of frame 5 to coupling aft of frame 6, starboard                            | 1       | T51         | SJ1/37    |
| EB6.71.219   | . . . PIPE, assembly, H.P., from tee coupling forward of frame 5 to coupling forward of frame 4, starboard                        | 1       | T51         | SJ1/38    |
| EB7.71.95    | . . . PIPE, assembly, L.P., from nose regulator to coupling aft of frame A  | 1       | L54         | SJ1/39    |
| EB7.71.97    | . . . PIPE, assembly, L.P., from coupling aft of frame A, starboard, to coupling tee frame 1                                      | 1       | L54         | SJ1/40    |
| EB7.71.99    | . . . PIPE, assembly, H.P., from rear oxygen gauge tee to reducing valve tee forward of frame 2                                   | 1       | T51         | SJ1/41    |
| EG4.71.309   | . NAVIGATOR'S STATION, OXYGEN SYSTEM (MOD 4799)<br>Spares for:—   | —       | —           | SJ2/1     |
| R 6D/1647    | . . . ADAPTOR, straight, oxygen regulator   | 1       | —           | SJ3/1     |
| EEAS136      | . . . ANGLE   | 3       | —           | SJ3/2     |
| EA3.71.127   | . . . CABLE, EMERGENCY RELEASE, ASSEMBLY<br>Spares for:—  | 1       | —           | SJ2/2     |
| AGS796B      | . . . EYEBOLT   | 1       | —           | SJ2/3     |
| EA1.71.131   | . . . KNOB  | 1       | —           | SJ2/4     |
| AGS2002C4    | . . . NUT, stiff, 2BA   | 2       | —           | SJ2/5     |
| EA1.71.133   | . . . TUBE, distance  | 1       | —           | SJ2/6     |
| SP15C        | . . . WASHER  | 2       | —           | SJ2/7     |
| EA1.71.137   | . . . WIRE, flexible  | 1       | —           | SJ2/8     |
| EA3.71.129   | . . . CABLE, EMERGENCY RELEASE, ASSEMBLY<br>Spares for:—  | 1       | —           | SJ2/9     |
| AGS796B      | . . . EYEBOLT   | 1       | —           | SJ2/10    |
| EA1.71.131   | . . . KNOB  | 1       | —           | SJ2/11    |
| AGS2002C4    | . . . NUT, stiff, 2BA   | 2       | —           | SJ2/12    |
| EA1.71.133   | . . . TUBE, distance  | 1       | —           | SJ2/13    |
| SP15C        | . . . WASHER  | 2       | —           | SJ2/14    |
| EA1.71.139   | . . . WIRE, flexible  | 1       | —           | SJ2/15    |
| R 6D/1463    | . . . CABLE, operating  | 2       | —           | SJ2/16    |
| SP144/028    | . . . CLIP, hose  | 14      | —           | SJ2/17    |
| AS4525/3     | . . . CLIP, pipe<br>Attaching parts for AS4525/3:—  | 8       | —           | SJ3/3     |
| A25/1C       | . . . Bolt, 2BA   | QR      | —           | SJ3/4     |
| AGS2001C1/66 | . . . Nut, stiff, 2BA   | QR      | —           | SJ3/5     |
| EEAS239/1A   | . . . Washer, 'D'   | QR      | —           | SJ3/6     |

SERVICES  
OXYGEN SYSTEM

| Part Number     | 1 2 3 4 5 6 | Description                               | No. Off | Matl. Spec. | Plate No. |
|-----------------|-------------|---|---------|-------------|-----------|
|                 |             |   |         |             |           |
| AS4525/5        | . . .       | CLIP, pipe                                | 2       | -           | SJ3/7     |
| 6R x 7/8"       | . . .       | Attaching parts for AS4525/5:-            | 1       | -           | SJ3/8     |
| AS2810/5/050    | . . .       | Screw, P.K., 7/8" long                    | 1       | -           | SJ3/9     |
|                 | . . .       | Tube, distance                            |         |             |           |
| AS4525/14       | . . .       | CLIP, pipe                                | 6       | -           | SJ3/10    |
|                 | . . .       | Attaching parts for AS4525/14:-           |         |             |           |
| A25/1C          | . . .       | Bolt, 2BA                                 | QR      | -           | SJ3/11    |
| A25/12C         | . . .       | Bolt, 2BA                                 | QR      | -           | SJ3/12    |
| AGS2001C1/66    | . . .       | Nut, stiff, 2BA                           | QR      | -           | SJ3/13    |
| AS2811/5/10     | . . .       | Tube, distance                            | QR      | -           | SJ3/14    |
| EEAS239/2A      | . . .       | Washer, 'D'                               | QR      | -           | SJ3/15    |
| AS3181/14B      | . . .       | CLIP (Mod 4105)                           | 1       | -           | SJ3/16    |
|                 | . . .       | Attaching parts for AS3181/14B:-          |         |             |           |
| 6R x 1/2"       | . . .       | Screw, P.K., 1/2" long                    | 1       | -           | SJ3/17    |
| AGS1118BB       | . . .       | CONE, tee                                 | 1       | -           | SJ3/18    |
| AGS796C         | . . .       | EYE-BOLT, regulator mounting              | 2       | -           | SJ3/19    |
| EG4.71.13       | . . .       | FITTING ON PRESSURE BULKHEAD, ASSEMBLY    | -       | -           | SJ3/20    |
|                 |             | Spares for:-                              |         |             |           |
| EB7.71.21       | . . .       | BRACKET, flexible hose connection         | 2       | -           | SJ2/18    |
|                 | . . .       | Attaching parts for EB7.71.21:-           |         |             |           |
| A25/1C          | . . .       | Bolt, 2BA                                 | 4       | -           | SJ2/19    |
| AGS2001C1/66    | . . .       | Nut, stiff, 2BA                           | 4       | -           | SJ2/20    |
| SP15C           | . . .       | Washer                                    | 4       | -           | SJ2/21    |
| EB6.81.1729     | . . .       | BRACKET, mounting                         | 1       | -           | SJ2/22    |
|                 | . . .       | Attaching parts for EB6.81.1729:-         |         |             |           |
| EB6.71.507      | . . .       | Block, packing                            | 1       | -           | SJ2/23    |
| A25/5B          | . . .       | Bolt, 4BA                                 | 2       | -           | SJ2/24    |
| A25/7B          | . . .       | Bolt, 4BA                                 | 2       | -           | SJ2/25    |
| EEAS72/7        | . . .       | Wedge, packing                            | 4       | L72         | SJ2/26    |
| EA3.57.21       | . . .       | BRACKET, H.P. valve mounting              | 2       | -           | SJ3/21    |
| EEAS69/2        | . . .       | GASKET                                    | 2       | Neo-K-Tex   | SJ3/22    |
| EB6.10.495      | . . .       | PIECE, packing                            | 2       | -           | SJ2/27    |
| AGS1112B        | . . .       | UNION, bulkhead                           | 2       | -           | SJ3/23    |
|                 | . . .       | Attaching parts for AGS1112B:-            |         |             |           |
| A25/2B          | . . .       | Bolt, 4BA                                 | 6       | -           | SJ3/24    |
| AGS2001B1       | . . .       | Nut, stiff, 4BA                           | 6       | -           | SJ3/25    |
| AGS1115/2       | . . .       | Washer, plate                             | 1       | -           | SJ3/26    |
| EB7.71.55       | . . .       | HOSE, connection                          | 7       | BSF67       | SJ2/28    |
| EA1.71.91       | . . .       | LABEL                                     | 1       | -           |           |
|                 | . . .       | Attaching parts for:-                     |         |             |           |
| 4101/4          | . . .       | SCREW, PK 3/16"                           | 2       | -           |           |
| EB7.71.77       | . . .       | LABEL                                     | 1       | -           |           |
| EB6.71.571      | . . .       | OXYGEN, EMERGENCY FITTINGS ON SEAT, GROUP | -       | -           |           |
|                 |             | Spares for:-                              |         |             |           |
| IN14286-1       | . . .       | CABLE, operating, socket anchor           | 1       | -           | SJ1/43    |
| 6D1698          | . . .       | CLIP, aerolex, type D                     | 1       | -           | SJ1/44    |
| SP144/028       | . . .       | CLIP, hose                                | 2       | -           | SJ1/45    |
| 6D1464          | . . .       | HOUSING, socket anchor, outer             | 1       | -           | SJ1/46    |
| 1660-99-2243028 | . . .       | OXYGEN-SET, emergency                     | 1       | -           | SJ1/47    |
| 1660-99-2243622 | . . .       | SOCKET, Mk. 9                             | 1       | -           | SJ1/48    |
| 6D2203310       | . . .       | TUBE, upper, assembly                     | 1       | -           | SJ1/49    |
| 6D1579          | . . .       | TUBING, L.P., demand type                 | 1       | -           | SJ1/50    |
| 1660-99-2243528 | . . .       | PIECE, connecting, 2 way                  | 1       | -           | SJ3/27    |
| 1660-99-2243645 | . . .       | PIECE, connecting, 3 way                  | 2       | -           | SJ3/28    |

R  
R  
R  
RR  
RR  
R

SERVICES  
OXYGEN SYSTEM

| Part Number | Description   | No. Off | Matl. Spec. | Plate No. |
|-------------|---|---------|-------------|-----------|
|             |   |         |             |           |
| SCC79518/6  | . . PIPE, assembly, H.P. from stop valve to pressure bulkhead, port side (SRIM.3533) (Mod 4799) 3/16" o/d x 22 SWG                          | 1       | T51         | SJ3/29    |
| †           | . . PIPE, assembly, H.P. from stop valve to tee piece at frame 5 (SRIM.3533) (Mod 4799) (Make from part No. EB6.71.175, Ref. No. 33608)     | 1       | T51         | SJ3/30    |
| EB6.71.177  | . . PIPE, assembly, H.P. from tee piece at frame 5 to pipe coupling at frame 5  | 1       | T51         | SJ3/31    |
| EB6.71.179  | . . PIPE, assembly, H.P. from coupling at frame 5 to tee piece at coaming tube  | 1       | T51         | SJ3/32    |
| EB6.71.181  | . . PIPE, assembly, from tee connector to reducing valve  | 1       | -           | SJ3/33    |
| EB6.71.185  | . . PIPE, assembly, H.P., across coaming tube from tee piece to coupling  | 1       | T51         | SJ3/34    |
| SCD79548/8  | . . PIPE, assembly, L.P. from tee piece to reducing valve (SRIM.3533) (Mod 4799) 5/16" o/d x 22 SWG   | 1       | L56         | SJ3/35    |
| SCD79548/7  | . . PIPE, assembly, L.P. from tee piece to regulator (SRIM.3533) (Mod 4799) 5/16" o/d x 22 SWG  | 1       | L56         | SJ3/36    |
| SCD79548/1  | . . PIPE, oxygen demand, from regulator to hose connection (SRIM.3533) (Mod 4799) 7/8" o/d x 20 SWG   | 1       | L56         | SJ1/51    |
| SCD79548/2  | . . PIPE, oxygen demand, continuation between hose connections (SRIM.3533) (Mod 4799) 7/8" o/d x 20 SWG                                     | 1       | L56         | SJ2/29    |
| SCD79548/3  | . . PIPE, oxygen demand, continuation between hose connections (SRIM.3533) (Mod 4799) 7/8" o/d x 20 SWG                                     | 1       | L56         | SJ2/30    |
| EB6.71.235  | . . PIPE, oxygen demand, continuation between hose connections, 7/8" o/d x 22 SWG   | 1       | L56         | SJ2/31    |
| EB6.71.237  | . . PIPE, oxygen demand, continuation from hose connection, between frame 6 and pressure bulkhead, flexible hose bracket, 7/8" o/d x 22 SWG | 1       | L56         | SJ1/52    |
| EB6.71.253  | . . PIPE, ASSEMBLY, H.P., from stop valve to pressure bulkhead, starboard side  | 1       | T51         | SJ3/37    |
| EA3.71.539  | . . PLATE, adaptor, assembly (Mod 5202) Attaching parts for EA3.71.539 :-   | 2       | -           |           |
| A25/1C      | . . Bolt  | 4       | -           |           |
| 6D1464      | . . SOCKET, anchor  | 2       | -           | SJ2/32    |
| EB6.71.207  | . . VALVE, H.P. OXYGEN, INSTALLATION<br>Spares for :-   | -       | -           | SJ3/38    |
| 6D1892      | . . ADAPTOR, base plate   | 1       | -           | SJ3/39    |
| EB6.71.239  | . . BRACKET, assembly (Less loose angle)  | 1       | -           | SJ3/40    |
|             | . . VALVE, oxygen, Mk. 10   | 1       | -           | SJ3/41    |
| 6D2313      | . . VALVE, oxygen, Mk. 10A<br>Attaching parts for Ref. 6D/1872 or 6D/2313 :-  | 1       | -           | SJ3/42    |
| A25/2C      | . . Bolt, 2BA   | 4       | -           | SJ3/43    |
| EB6.71.205  | . . VALVE, REDUCING, INSTALLATION<br>Spares for :-  | -       | -           | SJ3/44    |
| EB6.71.203  | . . BRACKET, assembly   | 1       | L72         | SJ3/45    |
| EB7.71.49   | . . CLAMP, reducing, valve mounting<br>Attaching parts for EB7.71.49 :-   | 1       | -           | SJ3/46    |
| A25/17B     | . . Bolt, 4BA   | 2       | -           | SJ3/47    |

SERVICES  
OXYGEN SYSTEM

| Part Number | Description  | No. Off | Mati. Spec. | Plate No. |
|-------------|--|---------|-------------|-----------|
|             |  |         |             |           |
| EG4.71.327  | . PILOT'S STATION OXYGEN SYSTEM (MOD 4799)<br>Spares for :-                              | -       | -           | SJ4/1     |
| 6D1647      | . . ADAPTOR, straight, oxygen regulator  | 1       | -           | SJ4/2     |
| EEAS136     | . . ANGLE  | 5       | -           | SJ4/3     |
| EB7.71.43   | . . BRACKET, assembly, pipe clip support under pilot's platform                          | 1       | -           | SJ4/4     |
| EB7.71.47   | . . BRACKET  | 1       | -           | SJ4/5     |
| EB6.71.247  | . . BRACKET, MOUNTING, FLEXIBLE HOSE CONNECTOR, INSTALLATION<br>Spares for :-            | -       | -           | SJ4/6     |
| EB6.71.243  | . . BRACKET  | 1       | L72         | SJ4/7     |
| EB7.71.49   | . . CLAMP, reducing, valve mounting<br>Attaching parts for EB7.71.49 :-                  | 1       | -           | SJ4/8     |
| A25/17B     | . . Bolt, 4BA  | 2       | -           | SJ4/9     |
| AGS2002B1   | . . Nut, 4BA   | 2       | -           | SJ4/10    |
| SP15B       | . . Washer   | 2       | -           | SJ4/11    |
| EB7.71.169  | . . CLIP, half, pipe support under pilot's platform<br>Attaching parts for EB7.71.169 :- | 1       | S514        | SJ4/12    |
| A25/1B      | . . Bolt, 4BA  | 2       | -           | SJ4/13    |
| AGS2002B1   | . . Nut, stiff, 4BA  | 2       | -           | SJ4/14    |
| SP15B       | . . Washer   | 2       | -           | SJ4/15    |
| SP144/028   | . . CLIP, hose   | 10      | -           | SJ4/16    |
| AS4525/3    | . . CLIP, pipe   | 8       | -           | SJ4/17    |
| AS4525/5    | . . CLIP, pipe<br>Attaching parts for AS4525/3 and AS4525/5 :-                           | 7       | -           | SJ4/18    |
| A25/2C      | . . Bolt, 2BA  | QR      | -           | SJ4/19    |
| AGS2002C1   | . . Nut, stiff, 2BA  | QR      | -           | SJ4/20    |
| EEAS239/1A  | . . Washer, 'D'  | QR      | -           | SJ4/21    |
| AS4525/14   | . . CLIP, pipe<br>Attaching parts for AS4525/14 :-                                       | 3       | -           | SJ4/22    |
| A25/1B      | . . Bolt, 4BA  | QR      | -           | SJ4/23    |
| A25/2C      | . . Bolt, 2BA  | QR      | -           | SJ4/24    |
| AGS2001B1   | . . Nut, stiff, 4BA  | QR      | -           | SJ4/25    |
| AGS2002C1   | . . Nut, stiff, 2BA  | QR      | -           | SJ4/26    |
| SP13B       | . . Washer   | QR      | -           | SJ4/27    |
| EEAS239/2A  | . . Washer, 'D'  | QR      | -           | SJ4/28    |
| AGS1102BB   | . . CONE, union, 2-way   | 3       | -           | SJ4/29    |
| AGS11188B   | . . CONE, tee  | 1       | -           | SJ4/29A   |
| EB7.71.171  | . . FAIRLEAD, regulator pipes at pilot's console<br>Attaching parts for EB7.71.171 :-    | 1       | BS2572      | SJ4/30    |
| A25/2B      | . . Bolt, 4BA  | 4       | -           | SJ4/31    |
| AGS2001B1   | . . Nut, 4BA   | 4       | -           | SJ4/32    |
| EG7.71.141  | . . GUARD, PIPE, ASSEMBLY, INSTALLATION<br>Spares for :-                                 | -       | -           | SJ4/33    |
| EG7.71.147  | . . GUARD, pipe<br>Attaching parts for EG7.71.147 :-                                     | 1       | -           | SJ4/34    |
| 7R x 3/8"   | . . Screw, P.K. 3/8" long  | 5       | -           | SJ4/35    |
| IN 14291-1  | . . HOUSING, socket anchor, outer  | 1       | -           | SJ4/36    |

R

SERVICES  
OXYGEN SYSTEM

| Part Number | Description   | No. Off | Mtl. Spec.      | Plate No. |   |   |   |   |        |
|-------------|---|---------|-----------------|-----------|---|---|---|---|--------|
|             |   |         |                 | 1         | 2 | 3 | 4 | 5 | 6      |
| EB7.71.55   | . . HOSE, connecting, 7/8" i/d x 1 1/4" o/d x 3" long<br>(Make from Ref. 32C/1275037)   | 5       | BSF67<br>Type 1 |           |   |   |   |   | SJ4/37 |
| EB7.71.51   | . . MOUNTING, OXYGEN REGULATOR<br>Spares for :-   | 1       | -               |           |   |   |   |   | SJ4/38 |
| EB6.71.105  | . . BRACKET, mounting assembly  | 1       | -               |           |   |   |   |   | SJ4/39 |
| ↑           | . . PACKING, 1/32" thick  | QR      | Langite         |           |   |   |   |   | SJ4/40 |
| EB7.71.505  | . . PANEL<br>Attaching parts for EB7.71.505 :-  | 1       | -               |           |   |   |   |   | SJ4/41 |
| AS1246/2B   | . . Bolt, 4BA   | 2       | -               |           |   |   |   |   | SJ4/42 |
| EB7.71.503  | . . Plate   | 1       | -               |           |   |   |   |   | SJ4/43 |
| EB7.71.501  | . . Strip, rubber   | 2       | -               |           |   |   |   |   | SJ4/44 |
| SP15B       | . . Washer  | 2       | -               |           |   |   |   |   | SJ4/45 |
| 6D2243528   | . . PIECE, connecting, 2-way  | 1       | -               |           |   |   |   |   | SJ4/46 |
| 6D2243645   | . . PIECE, connecting, 3-way  | 2       | -               |           |   |   |   |   | SJ4/47 |
| EB6.71.123  | . . PIPE, assembly, L.P. from prone position and<br>reducing valve tee starboard side, to<br>connection at pilot's console                            | 1       | L54             |           |   |   |   |   | SJ1/53 |
| EB6.71.125  | . . PIPE, assembly, H.P. from gauge and reducing<br>valve tee, starboard side to connection<br>at pilot's console                                     | 1       | T51             |           |   |   |   |   | SJ1/54 |
| EB6.71.229  | . . PIPE, oxygen demand, from flexible hose<br>connector bracket, to hose connection<br>frame 3, 7/8" o/d x 22 SWG                                    | 1       | L54             |           |   |   |   |   | SJ4/48 |
| EB7.71.31   | . . PIPE, assembly, L.P. from regulator to connection<br>at frame 3   | 1       | L54             |           |   |   |   |   | SJ4/49 |
| EB7.71.35   | . . PIPE, assembly, H.P. from tee piece at frame 5,<br>to connection at pilot's console   | 1       | T51             |           |   |   |   |   | SJ4/50 |
| EB7.71.151  | . . PIPE, assembly, H.P. from supply line tee to<br>reducing valve  | 1       | T51             |           |   |   |   |   | SJ4/51 |
| EB7.71.153  | . . PIPE, assembly, H.P. between port and starboard<br>supply line tees forward of frame 2,<br>starboard side   | 1       | T56             |           |   |   |   |   | SJ4/52 |
| EB7.71.155  | . . PIPE, assembly, L.P. from reducing valve to pilot's<br>and prone position supply tee, starboard<br>side   | 1       | L54             |           |   |   |   |   | SJ4/53 |
| EB7.71.173  | . . PIPE, assembly, L.P. from connection at pilot's<br>console to connection at frame 3, port<br>side   | 1       | L54             |           |   |   |   |   | SJ4/54 |
| EB7.71.179  | . . PIPE, oxygen demand, under pilot's platform,<br>between hose connections at frame 3,<br>7/8" o/d x 22 SWG   | 1       | L54             |           |   |   |   |   | SJ4/55 |
| EB7.71.269  | . . PIPE, oxygen demand, from hose connection under<br>pilot's platform under hose connection above<br>pilot's platform at frame 3, 7/8" o/d x 22 SWG | 1       | L54             |           |   |   |   |   | SJ4/56 |
| EB7.71.271  | . . PIPE, oxygen demand, from regulator to hose<br>connection at frame 3, 7/8" o/d x 22 SWG   | 1       | L54             |           |   |   |   |   | SJ4/57 |

AP101B-0415-3A

SERVICES  
OXYGEN SYSTEM

| Part Number     | Description  | No. Off | Matl. Spec. | Plate No.                  |
|-----------------|--|---------|-------------|----------------------------|
|                 |  |         |             |                            |
| EG5.71.25       | . . . RELEASE, EMERGENCY OXYGEN, PILOT'S<br>INSTALLATION (MOD 4105)      | -       | -           | SJ4/58                     |
| EG5.71.27       | . . . . . RELEASE, EMERGENCY OXYGEN, ASSEMBLY<br>Spares for :-           | 1       | -           | SJ4/59                     |
| EB6.71.591      | . . . . . CABLE, release, assembly<br>Spares for :-                      | 1       | -           | SJ4/60                     |
| EB6.71.587      | . . . . . KNOB   | 1       | -           | SJ4/61                     |
| AGS2002C1       | . . . . . NUT, stiff, 2BA  | 1       | -           | SJ4/62                     |
| EB6.71.589      | . . . . . PIECE, distance  | 1       | -           | SJ4/63                     |
| SP13C           | . . . . . WASHER   | 1       | -           | SJ4/64                     |
| EB6.71.585      | . . . . . WIRE, flexible   | 1       | -           | SJ4/65                     |
| EG5.71.29       | . . . . . TUBE and bracket, assembly<br>Attaching parts for EG5.71.27 :- | 1       | -           | SJ4/66                     |
| A25/1C          | . . . . . Bolt, 2BA  | 4       | -           | SJ4/67                     |
| AGS2001C1/66    | . . . . . Nut, stiff, 2BA  | 4       | -           | SJ4/68                     |
| SP13C           | . . . . . Washer   | 4       | -           | SJ4/69                     |
| IN14291-1       | . . . . . SOCKET, anchor   | 1       | -           | SJ4/70                     |
| EG4.71.307      | . . . OXYGEN EQUIPMENT CIRCUIT (MOD 4799)<br>Spares for :-               | -       | -           |                            |
| 6D1698          | . . . CLIP, Aerolex, type D  | 3       | -           | SJ1/55                     |
| SP144/028       | . . . CLIP, hose   | 5       | -           | SJ1/56<br>SJ4/71<br>SJ4/72 |
| 1660-99-2242861 | . . . CONNECTOR, flanged   | 3       | -           | SJ1/57<br>SJ4/73           |
| 188618          | . . . CYLINDER, gas, oxygen, Mk. 5D, 750 litres                          | 10      | -           | SJ6/48                     |
| 6D574           | . . . FILTER, Mk. 1  | 1       | -           | SJ5/45                     |
| 6D2237          | . . . GAUGE, contents, Mk. 4   | 2       | -           | SJ1/58                     |
| 6D1580          | . . . HOSE, L.P. 7/8" i/d x 6" long                                      | 1       | -           | SJ1/59                     |
| 6D1579          | . . . HOSE, L.P. 7/8" i/d x 4" long                                      | 3       | -           | SJ1/60<br>SJ4/74           |
| 1660-99-2243528 | . . . PIECE, connecting, 2-way   | 1       | -           | SJ5/46                     |
| 6D1797          | . . . PLATE, cup, assembly   | 3       | -           | SJ1/61<br>SJ4/75           |
| 6D2671          | . . . REGULATOR, oxygen, Mk. 17  | 4       | -           | SJ1/62<br>SJ3/48<br>SJ4/76 |
| IN 1002         | . . . SET, emergency oxygen, Mk. 2A                                      | 1       | -           | SJ1/63                     |
| 1660-99-2243622 | . . . SOCKET, quick release, Mk. 9, with cut-off valve                   | 3       | -           | SJ1/64                     |
| 6D1817          | . . . SOCKET, quick release, Mk. 10A, with cut-off<br>valve              | 1       | -           | SJ1/65                     |
| GA3030          | . . . VALVE, charging (Mod 5202)   | 1       | -           | SJ5/47                     |
| GA3150.ISSUE A  | . . . VALVE, check   | 4       | -           | SJ1/66<br>SJ3/49           |
| GA3070          | . . . VALVE, line (Mod 5202)   | 2       | -           | SJ3/51                     |
| 6D1616          | . . . VALVE, reducing, Mk. 1   | 2       | -           | SJ4/76<br>SJ3/50           |

SERVICES  
OXYGEN SYSTEM

| Part Number  | Description  | No. Off | Matl. Spec. | Plate No. |   |   |   |   |        |
|--------------|--|---------|-------------|-----------|---|---|---|---|--------|
|              |  |         |             | 1         | 2 | 3 | 4 | 5 | 6      |
| EG4.71.101   | OXYGEN SYSTEM, FROM PRESSURE BULKHEAD TO FRAME 12 (MOD 3833) (Mod 4799)<br>Spares for :- | -       | -           |           |   |   |   |   |        |
| AS4525/3     | CLIP, pipe<br>Attaching parts for AS4525/3 :-  | 8       | -           |           |   |   |   |   | SJ3/52 |
| A25/1C       | Bolt, 2BA  | 1       | -           |           |   |   |   |   | SJ3/53 |
| SP15C        | Washer   | 1       | -           |           |   |   |   |   | SJ3/54 |
| EEAS69/2     | GASKET   | 2       | -           |           |   |   |   |   | SJ3/55 |
| 6D2243528    | PIECE, connecting, Mk. 3A, 2-way   | 1       | -           |           |   |   |   |   | SJ3/56 |
| EG4.71.103   | PIPE, assembly, from pressure bulkhead to frame 12, port                                 | 1       | -           |           |   |   |   |   | SJ3/57 |
| EG4.71.107   | PIPE, assembly, from pressure bulkhead to union, starboard                               | 1       | -           |           |   |   |   |   | SJ3/58 |
| EG4.71.105   | PIPE, assembly, from union to frame 12, starboard  | 1       | -           |           |   |   |   |   | SJ3/59 |
| EEAS20/2DR   | PLATE, locking   | 4       | -           |           |   |   |   |   | SJ3/60 |
| AGS1112B     | BODY, union<br>Attaching parts for AGS1112/B :-  | 2       | -           |           |   |   |   |   | SJ3/61 |
| A25/2B       | Bolt, 4BA  | 6       | -           |           |   |   |   |   | SJ3/62 |
| AGS2001B1    | Nut, 4BA   | 6       | -           |           |   |   |   |   | SJ3/63 |
| AGS1115/2    | WASHER, plate  | 2       | -           |           |   |   |   |   | SJ3/64 |
| EG4.71.121   | OXYGEN SYSTEM, IN CENTRE FUSELAGE (MOD 4799)<br>Spares for :-                            | -       | -           |           |   |   |   |   | SJ5/1  |
| EC3.71.79    | CLEAT  | 1       | -           |           |   |   |   |   | SJ5/2  |
| EEAS136      | CLEAT  | 5       | -           |           |   |   |   |   | SJ5/3  |
| AS4525/3     | CLIP, pipe<br>Attaching parts for AS4525/3 :-  | 47      | -           |           |   |   |   |   | SJ5/4  |
| A25/2C       | Bolt, 2BA  | QR      | -           |           |   |   |   |   | SJ5/5  |
| A25/3C       | Bolt, 2BA  | QR      | -           |           |   |   |   |   | SJ5/6  |
| A25/4C       | Bolt, 2BA  | QR      | -           |           |   |   |   |   | SJ5/7  |
| A25/6C       | Bolt, 2BA  | QR      | -           |           |   |   |   |   | SJ5/8  |
| AGS2001C1/66 | Nut, 2BA   | QR      | -           |           |   |   |   |   | SJ5/9  |
| AS2810/5/04  | Tube, distance   | QR      | L62         |           |   |   |   |   | SJ5/10 |
| SP15C        | Washer   | QR      | -           |           |   |   |   |   | SJ5/11 |
| SP16C        | Washer   | QR      | -           |           |   |   |   |   | SJ5/12 |
| AS3181/3B    | CLIP, pipe<br>Attaching parts for AS3181/3B :-   | 3       | -           |           |   |   |   |   | SJ5/13 |
| A25/1B       | Bolt, 4BA  | QR      | -           |           |   |   |   |   | SJ5/14 |
| SP15B        | Washer   | QR      | -           |           |   |   |   |   | SJ5/15 |
| AGS1112B     | CONNECTOR, bulkhead<br>Attaching parts for AGS1112/B :-                                  | 4       | -           |           |   |   |   |   | SJ5/16 |
| EEAS20/2DR   | Tab, locking   | 2       | -           |           |   |   |   |   | SJ5/17 |
| AGS1115/2    | Washer, plate  | 1       | -           |           |   |   |   |   | SJ5/18 |

SERVICES  
OXYGEN SYSTEM

| Part Number       | 1 2 3 4 5 6 | Description  | No. Off | Matl. Spec. | Plate No. |
|-------------------|-------------|--|---------|-------------|-----------|
|                   |             |  |         |             |           |
| EEAS69/2          |             | . . . GASKET   | 4       | -           | SJ5/19    |
| EA3.71.589        |             | . . . MOUNTING, OXYGEN CHARGING VALVE (Mod 5202)<br>Spares for :-  | 1       | -           | SJ5/20    |
| A25/1C            |             | . . . BOLT, 2BA  | 2       | -           | SJ5/21    |
| EA3.71.539        |             | . . . PLATE, adaptor, assembly<br>Attaching parts for EA3.71.589 :-                                      | 1       | -           | SJ5/22    |
| A25/1C            |             | . . . Bolt   | 4       | -           | SJ5/23    |
| AGS2002C1         |             | . . . Nut  | 4       | -           | SJ5/24    |
| SP15C             |             | . . . Washer   | 4       | -           | SJ5/25    |
| R 1660-99-2243528 |             | . . . PIECE, connecting, Mk. 3A, 2-way   | 11      | -           | SJ5/26    |
| R 1660-99-2243645 |             | . . . PIECE, connecting, Mk. 3A, 3-way   | 1       | -           | SJ5/27    |
| EG4.71.149        |             | . . . PIPE, assembly, oxygen charging, from charging<br>valve to connection at frame 12                  | 1       | -           | SJ5/28    |
| EG4.71.147        |             | . . . PIPE, assembly, oxygen charging from frame 12,<br>to frame 14                                      | 1       | -           | SJ5/29    |
| EG4.71.145        |             | . . . PIPE, assembly, oxygen charging from frame<br>14 to between frames 15 and 16                       | 1       | -           | SJ5/30    |
| EG4.71.143        |             | . . . PIPE, assembly, oxygen charging from between<br>frames 15 and 16 to frame 19                       | 1       | -           | SJ5/31    |
| EG4.71.141        |             | . . . PIPE, assembly, oxygen charging, from frame 19<br>to frame 22                                      | 1       | -           | SJ5/32    |
| EG4.71.115        |             | . . . PIPE, assembly, oxygen charging, transverse frame<br>22 to fuselage skin, port                     | 1       | -           | SJ5/33    |
| EC3.71.63         |             | . . . PIPE, assembly, oxygen charging, transverse frame<br>22 to fuselage skin, starboard                | 1       | -           | SJ5/34    |
| EG4.71.113        |             | . . . PIPE, assembly, oxygen supply from fuselage skin<br>port, to connecting piece at frame 21B         | 1       | -           | SJ5/35    |
| EC3.71.59         |             | . . . PIPE, assembly, oxygen supply from fuselage skin<br>starboard, to connecting piece at<br>frame 21B | 1       | -           | SJ5/36    |
| EC3.71.57         |             | . . . PIPE, assembly, oxygen supply, from frame 21B,<br>port, to frame 19, port                          | 1       | -           | SJ5/37    |
| EC3.71.55         |             | . . . PIPE, assembly, oxygen supply, from frame 21B,<br>to frame 19, starboard                           | 1       | -           | SJ5/38    |
| EC3.71.53         |             | . . . PIPE, assembly, oxygen supply, from frame 19 to<br>frame 16, port                                  | 1       | -           | SJ5/39    |
| EC3.71.51         |             | . . . PIPE, assembly, oxygen supply, from frame 19 to<br>frame 17, starboard                             | 1       | -           | SJ5/40    |
| EC3.71.49         |             | . . . PIPE, assembly, oxygen supply, from frame 16 to<br>frame 14, port                                  | 1       | -           | SJ5/41    |
| EC3.71.47         |             | . . . PIPE, assembly, oxygen supply, from frame 17 to<br>frame 14, starboard                             | 1       | -           | SJ5/42    |
| EC3.71.45         |             | . . . PIPE, assembly, oxygen supply, from frame 14 to<br>frame 12, port                                  | 1       | -           | SJ5/43    |
| EG4.71.125        |             | . . . PIPE, assembly, oxygen supply, from frame 14 to<br>frame 12, starboard                             | 1       | -           | SJ5/44    |
| EG4.71.171        |             | . . . OXYGEN SYSTEM IN PORT MAINPLANE<br>(MOD 4799)  | 1       | -           | SJ6/1     |
| EG4.71.172        |             | . . . OXYGEN SYSTEM IN STARBOARD<br>MAINPLANE (MOD 4799)<br>Spares for :-                                | -       | -           | SJ6/2     |
| EB8.20.3063       |             | . . . BOLT, tie  | 10      | -           | SJ6/3     |
| EB8.71.241        |             | . . . BRACKET<br>Attaching parts for EB8.71.241 :-   | 3       | -           | SJ6/4     |
| A25/1B            |             | . . . Bolt, 4BA  | 3       | -           | SJ6/5     |
| AGS2001B1         |             | . . . Nut, 4BA   | 3       | -           | SJ6/6     |
| SP13B             |             | . . . Washer   | 3       | -           | SJ6/7     |

SERVICES  
OXYGEN SYSTEM

| Part Number     | Description  | No. Off | Mati. Spec. | Plate No. |
|-----------------|--|---------|-------------|-----------|
|                 |  |         |             |           |
| EB8.20.3065     | . . CHANNEL, assembly  | 10      | -           | SJ6/8     |
| AS4525/3        | . . CLIP, pipe   | 6       | -           | SJ6/9     |
|                 | Attaching parts for AS4525/3 :-  |         |             |           |
| A25/1C          | . . Bolt, 2BA  | 1       | -           | SJ6/10    |
| AGS2001C1/66    | . . Nut, 2BA   | 1       | -           | SJ6/11    |
| SP13C           | . . Washer   | 1       | -           | SJ6/12    |
| EC3.71.35       | . . PAD  | 6       | -           | SJ6/13    |
| 1660-99-2243528 | . . PIECE, connecting, Mk.3A, 2-way  | 2       | -           | SJ6/14    |
| EG4.71.117      | . . PIPE, assembly, oxygen charging from fuselage coupling to rib 2, port  | 1       | T51         | SJ6/15    |
| EC3.71.16       | . . PIPE, assembly, oxygen charging, from fuselage coupling to rib 2, starboard                                      | 1       | T51         | SJ6/16    |
| EC3.71.31       | . . PIPE, assembly, oxygen charging from rib 2 to forward bottle, port   | 1       | T51         | SJ6/17    |
| EC3.71.32       | . . PIPE, assembly, oxygen charging, from rib 2 to forward bottle, starboard   | 1       | T51         | SJ6/18    |
| EC3.71.19       | . . PIPE, assembly, oxygen, from forward bottle to central bottle, between ribs 3 and 4                              | 2       | T51         | SJ6/19    |
| EC3.71.21       | . . PIPE, assembly, oxygen, from central bottle to rear bottle, between ribs 3 and 4                                 | 2       | -           | SJ6/20    |
| EC3.71.25       | . . PIPE, assembly, oxygen charging, from rear bottle, between ribs 3 and 4 to bottle between ribs 4 and 5, port     | 1       | T51         | SJ6/21    |
| EC3.71.26       | . . PIPE, assembly, oxygen charging, from rear bottle between ribs 3 and 4 to bottle between ribs 4 and 5, starboard | 1       | T51         | SJ6/22    |
| EC3.71.27       | . . PIPE, assembly, oxygen charging, from bottle at ribs 4 - 5 to bottle at ribs 5 - 6, port                         | 1       | T51         | SJ6/23    |
| EC3.71.28       | . . PIPE, assembly, oxygen charging from bottle between ribs 4 and 5 to bottle between ribs 5 and 6, starboard       | 1       | T51         | SJ6/24    |
| EC3.71.29       | . . PIPE, assembly, oxygen supply, from bottle at ribs 5 - 6 to bottle at ribs 4 - 5, port                           | 1       | T51         | SJ6/25    |
| EC3.71.30       | . . PIPE, assembly, oxygen supply, from bottle between ribs 5 and 6 to bottle between ribs 4 and 5, starboard        | 1       | T51         | SJ6/26    |
| EC3.71.23       | . . PIPE, assembly, oxygen supply, from bottle at ribs 4 - 5 to rear bottle, between ribs 3 and 4, port              | 1       | T51         | SJ6/27    |
| EC3.71.24       | . . PIPE, assembly, oxygen supply, from bottle between ribs 4 and 5 to rear bottle between ribs 3 and 4, starboard   | 1       | T51         | SJ6/28    |
| EC3.71.33       | . . PIPE, assembly, oxygen supply from forward bottle rib 3 - 4 to rib 2, port                                       | 1       | T51         | SJ6/29    |
| EC3.71.34       | . . PIPE, assembly, oxygen supply from forward bottle between ribs 3 and 4 to rib 2, starboard                       | 1       | T51         | SJ6/30    |
| EG4.71.119      | . . PIPE, assembly, oxygen supply, from ribs 2 to fuselage coupling, port  | 1       | T51         | SJ6/31    |

SERVICES  
OXYGEN SYSTEM

| Ref. No.    | Part No.     | Description  | No.<br>off | Matl. Spec. | Cl. of                | Plate  |
|-------------|--------------|--|------------|-------------|-----------------------|--------|
|             |              |  |            |             | Equip<br>M.R.<br>L.M. |        |
|             |              | 1 2 3 4 5 6  |            |             |                       |        |
| 34614       | EC3.71.18    | . . . PIPE, assembly, oxygen supply, from rib<br>2 to fuselage coupling, starboard | 1          | TS1         | C                     | SJ6/32 |
| 30044       | EB8.20.3011  | . . . STRAP, ASSEMBLY<br>Spares for:—  | 10         | —           | C                     | SJ6/33 |
| 28537       | EB8.20.3081  | . . . . BLOCK, clamp   | 1          | —           | —                     | SJ6/34 |
|             | EB8.20.3055  | . . . . PAD  | 2          | —           | —                     | SJ6/35 |
|             | EB8.20.5169  | . . . . STRAP  | 1          | —           | —                     | SJ6/36 |
| 28D/1011247 | A25/13E      | . . . . Bolt, 1/4" BSF   | 1          | —           | C                     | SJ6/37 |
| 28M/9480017 | AGS2001E1/66 | . . . . Nut, stiff, 1/4" BSF   | 1          | —           | C                     | SJ6/38 |
| 40354       | AS2811/6/100 | . . . . Tube, distance   | 1          | —           | C                     | SJ6/39 |
| 28W/9418921 | SP13E        | . . . . Washer   | 1          | —           | C                     | SJ6/40 |
| 30045       | EB8.20.3053  | . . . STRAP, ASSEMBLY<br>Spares for:—  | 10         | —           | C                     | SJ6/41 |
| 28539       | EB8.20.3137  | . . . . NUT, clamp   | 1          | —           | —                     | SJ6/42 |
|             | EB8.20.3055  | . . . . PAD  | 2          | —           | —                     | SJ6/43 |
|             | EB8.20.5169  | . . . . STRAP  | 1          | —           | —                     | SJ6/44 |
| 28D/1011247 | A25/13E      | . . . . Bolt, 1/4" BSF   | 1          | —           | C                     | SJ6/37 |
| 28M/9480017 | AGS2001E1/66 | . . . . Nut, stiff, 1/4" BSF   | 1          | —           | C                     | SJ6/38 |
| 40354       | AS2811/6/100 | . . . . Tube, distance   | 1          | —           | C                     | SJ6/39 |
| 28W/9418921 | SP13E        | . . . . Washer   | 1          | —           | C                     | SJ6/40 |
| 6D/1497     | †            | . . . UNION, blanking, Mk. 3   | 2          | —           | C                     | SJ6/45 |

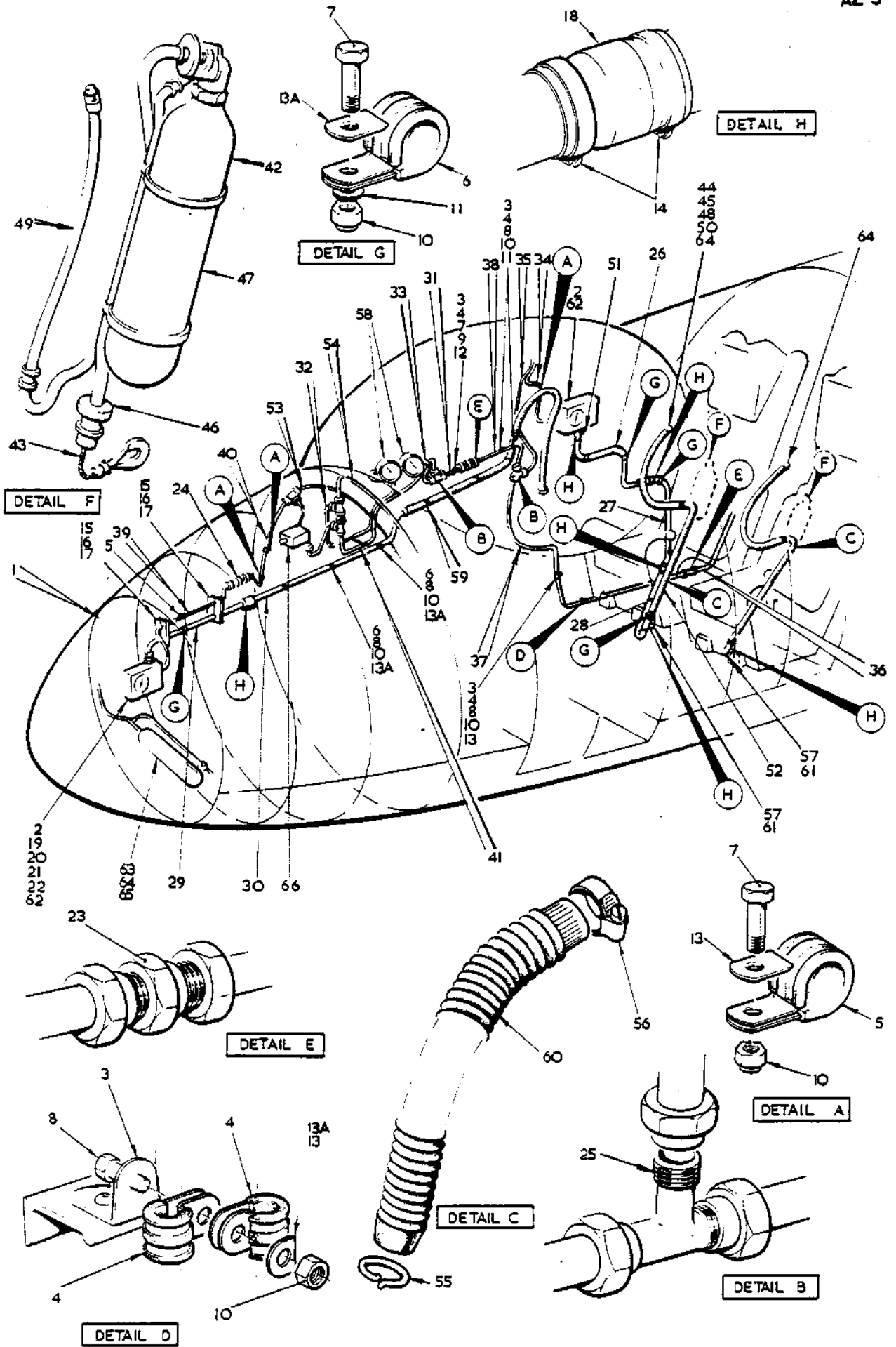


FIG.1 OXYGEN SYSTEM

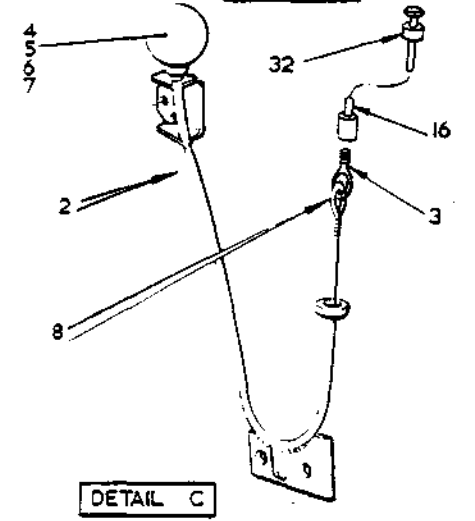
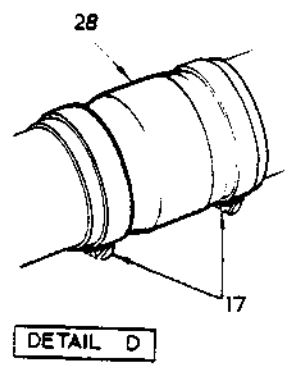
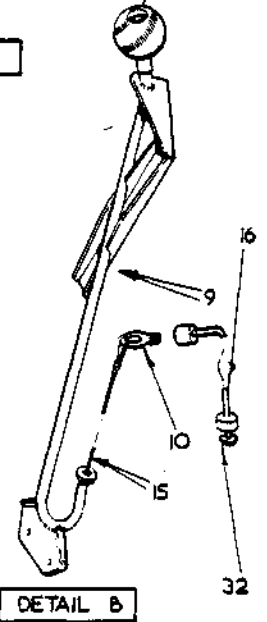
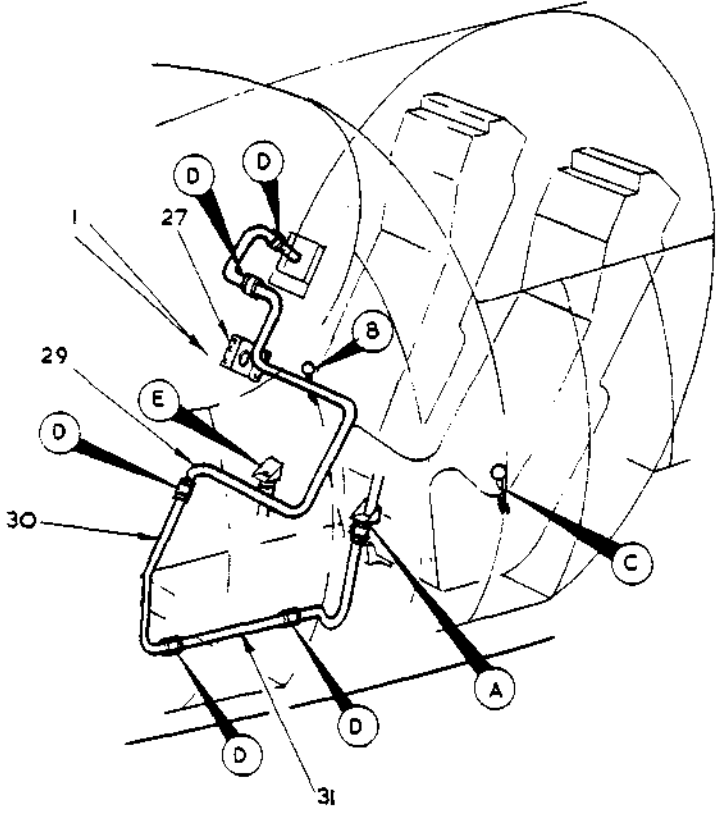
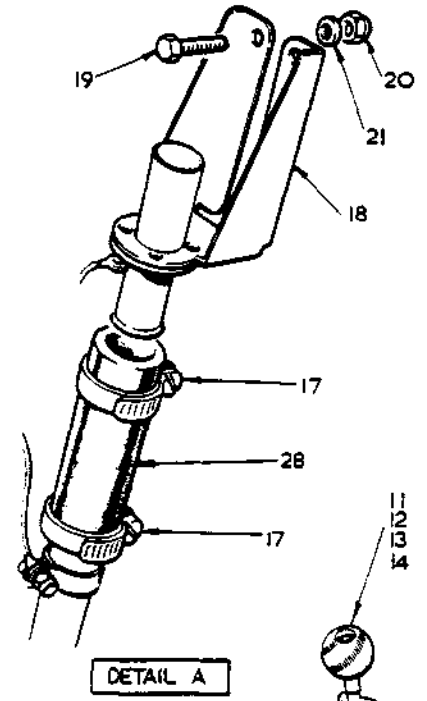
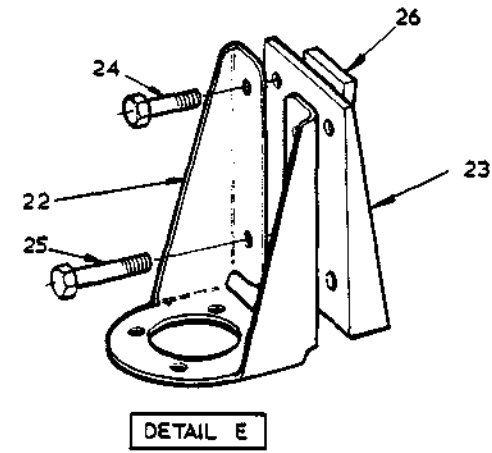


FIG. 2 OXYGEN SYSTEM

CODE Z

SECT SJ

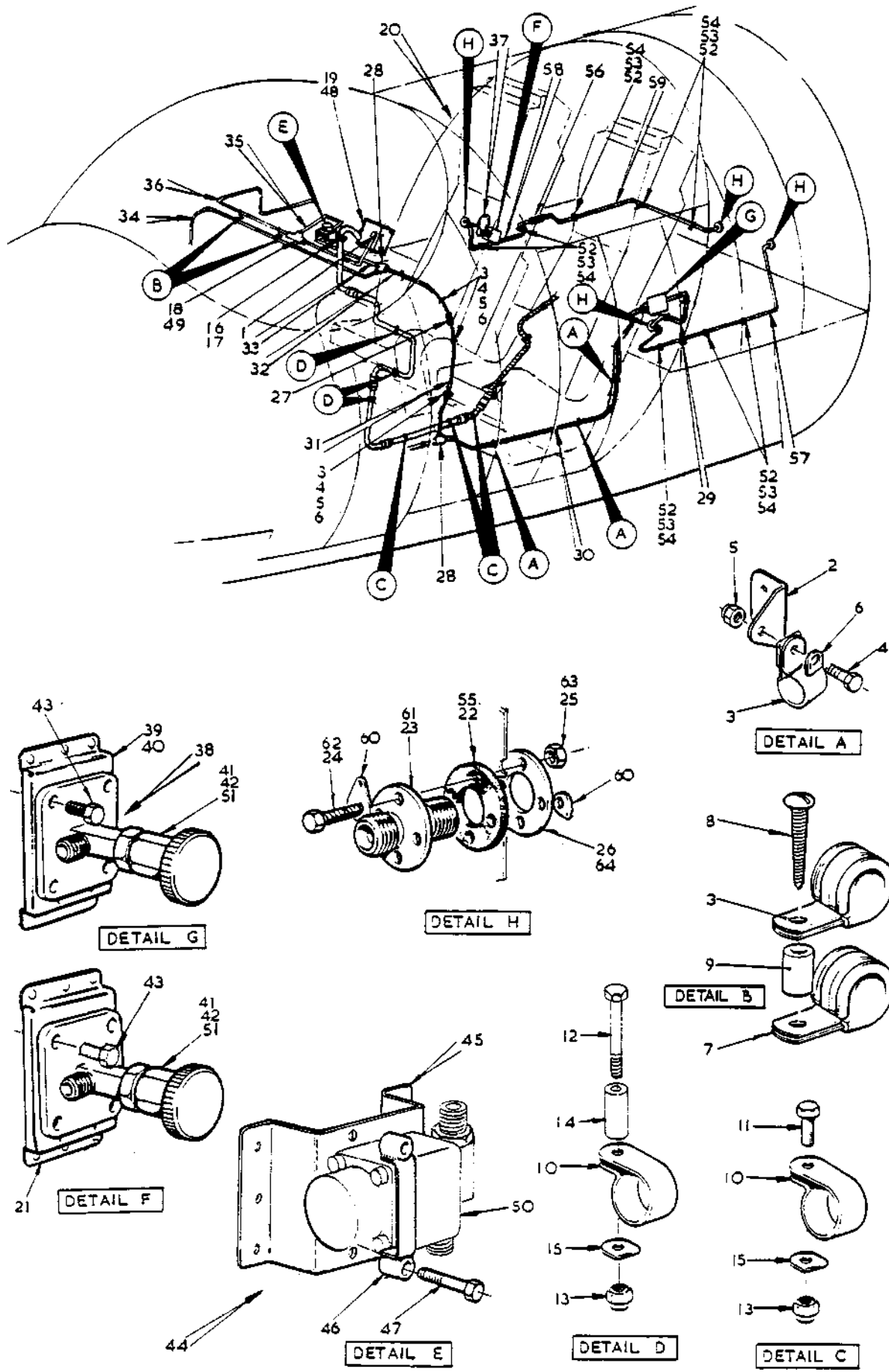


FIG. 3 OXYGEN SYSTEM

CODE Z

SECT SJ

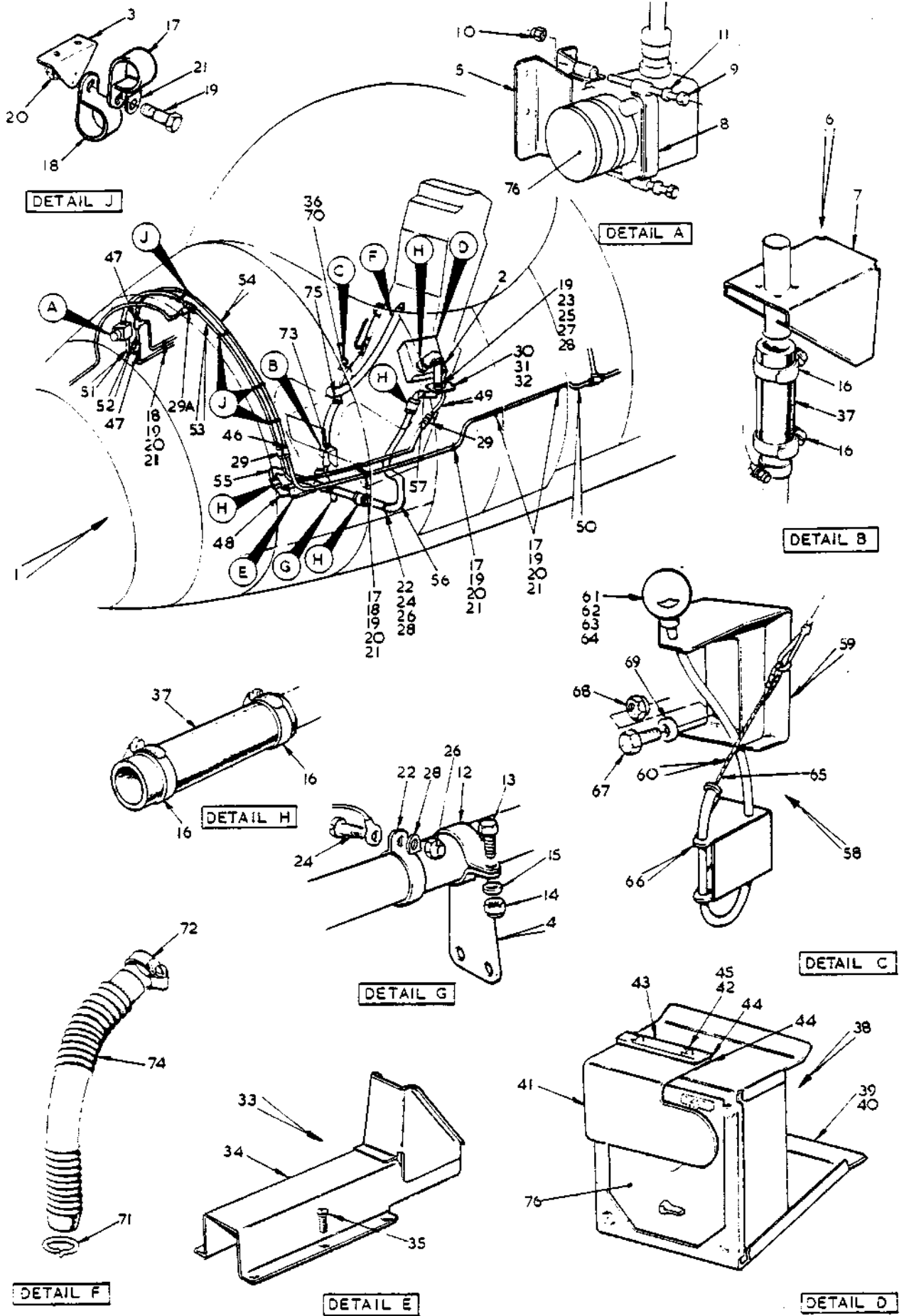


FIG. 4 OXYGEN SYSTEM

CODE Z

SECT SJ

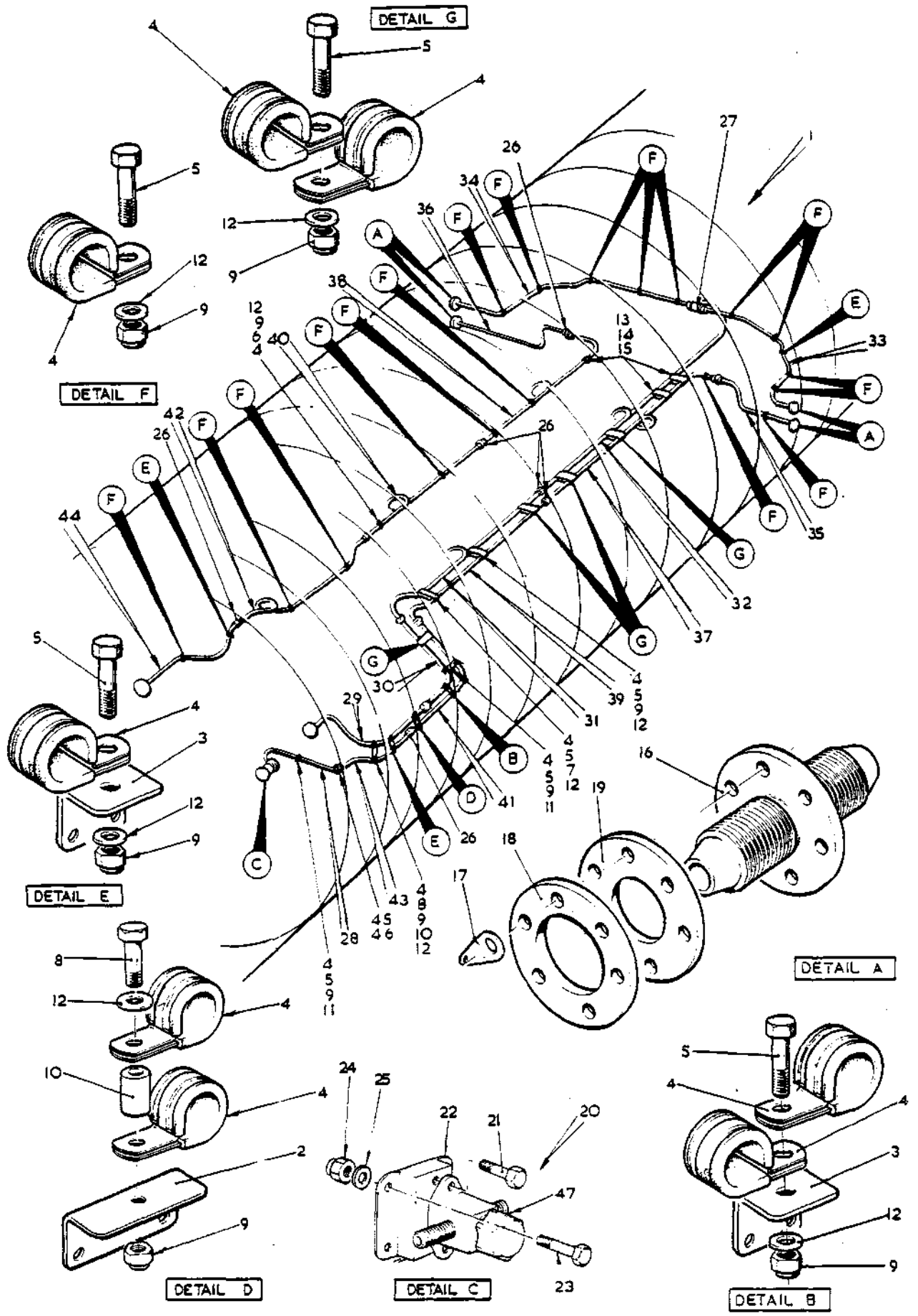


FIG. 5 OXYGEN SYSTEM

CODE Z

SECT SJ

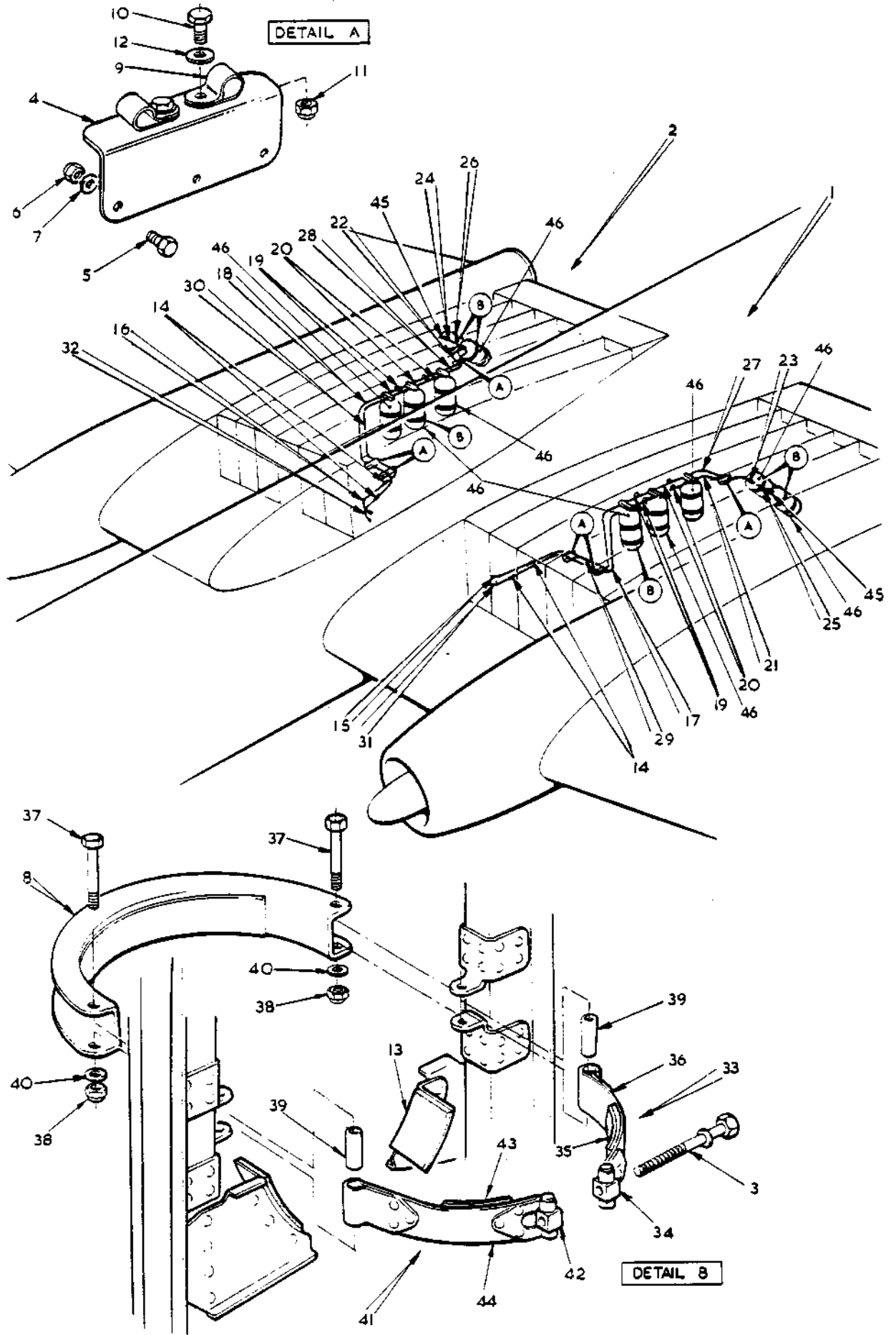


FIG. 6 OXYGEN SYSTEM

CODE Z

SECT SJ

This file was downloaded  
from the RTFM Library.

Link: [www.scottbouch.com/rtfm](http://www.scottbouch.com/rtfm)

Please see site for usage terms,  
and more aircraft documents.

