

SERVICES

PITOT AND STATIC SYSTEM

Part Number	Description	No. Off	Matl. Spec.	Plate No.	
					1
EB6.80.169	PITOT AND STATIC SYSTEM IN CENTRE FUSELAGE Spares for :-	-	-		
AGS838/5	. BUSH, rubber (Pre-Mod 5198)	11	-	SK5/1	
EEAS91/2	. CLEAT, double pipe (Pre-Mod 5198) Attaching parts for EEAS91/2 :-	1	-	SK5/2	
EEAS21/2ER/H	. Washer, 'D' (Pre-Mod 5198)	1	-	SK5/3	
EEAS91/2	. CLEAT, double pipe (Pre-Mod 5198) Attaching parts for EEAS91/2 :-	1	-	SK5/4	
A25/1B	. Bolt, 4BA (Pre-Mod 5198)	1	-	SK5/5	
AGS2001B1	. Nut, stiff, 4BA (Pre-Mod 5198)	1	-	SK5/6	
EEAS21/2ER/H	. Washer, 'D' (Pre-Mod 5198)	1	-	SK5/7	
EA1.80.891	. FAIRLEAD Attaching parts for EA1.80.891 :-	2	-	SK5/8	
A25/13B	. Bolt, 4BA	2	-	SK5/9	
AGS2001B1	. Nut, stiff, 4BA	2	-	SK5/10	
SP15B	. Washer	2	-	SK5/11	
EA1.80.891	. FAIRLEAD Attaching parts for EA1.80.891 :-	1	-	SK5/12	
A25/15B	. Bolt, 4BA	2	-	SK5/13	
AGS2001B1	. Nut, stiff, 4BA	2	-	SK5/14	
EA3.80.1651	. Packing	1	-	SK5/15	
SP15B	. Washer	2	-	SK5/16	
EA3.80.1655	. FAIRLEAD Attaching parts for EA3.80.1655 :-	1	-	SK5/17	
A25/13B	. Bolt, 4BA	2	-	SK5/18	
AGS2001B1	. Nut, stiff, 4BA	2	-	SK5/19	
SP15B	. Washer	2	-	SK5/20	
AGS838/6	. NUT, blanking (Pre-Mod 5198)	1	-	SK5/21	
AGS838/4	. NUT, union (Pre-Mod 5198)	11	-	SK5/22	
EA3.80.1649	. PIPE, drain (Pre-Mod 5198)	2	-	SK5/23	
EB6.80.149	. PIPE, pitot, from drain connection aft of frame 15 to tee piece aft of frame 17 (Pre-Mod 5198)	1	-	SK5/24	
EB6.80.151	. PIPE, pitot, from bulkhead to drain connection aft of frame 15 (Pre-Mod 5198)	1	-	SK5/25	
EA3.80.1643	. PIPE, pitot, from tee piece aft of frame 17 to wing (Pre-Mod 5198)	1	-	SK5/26	
EB6.80.145	. PIPE, static, from bulkhead to drain connection aft of frame 15 (Pre-Mod 5198)	1	-	SK5/27	
EB6.80.147	. PIPE, static, from drain connection aft of frame 15 towing (Pre-Mod 5198)	1	-	SK5/28	
AGS838/1	. UNION, straight, low pressure (Pre-Mod 5198)	1	-	SK5/29	
AGS838/2	. UNION, tee (Pre-Mod 5198)	3	-	SK5/30	
AGS838/7	. WASHER (Pre-Mod 5198)	1	-	SK5/31	

SERVICES
PITOT AND STATIC SYSTEM

Part Number	Description	No. Off	Matl. Spec.	Plate No.
EG4.80.1317	PITOT AND STATIC SYSTEM IN FRONT FUSELAGE (MOD 4799) Spares for :-	-	-	
6D2243640	. ADAPTOR, outlet	2	-	SK4/1
EF2.70.27	. ADAPTOR, 4-way (Pre-Mod 5198)	2	-	SK4/2
EF2.70.27	. ADAPTOR, 4-way (Mod 5198)	1	-	
AS8680	. BANJO, body, pitot (Mod 4864)	1	-	SK4/4
AS8682	. Attaching parts for AS8680 :-			
AGS3098	. Bolt, banjo (Mod 4864)	1	-	SK4/5
AS8681	. Gasket, 'O' ring (Mod 4864)	2	-	SK4/6
AS8681	. BANJO, body, static (Mod 4864)	3	-	SK4/7
AS8683	. Attaching parts for AS8681 :-			
AGS3099	. Bolt, banjo (Mod 4864)	1	-	SK4/8
AGS3099	. Gasket, 'O' ring (Mod 4864)	2	-	SK4/9
AGS838/1	. BODY, union straight	15	-	SK4/10
AGS838/2	. BODY, union tee	21	-	SK4/11
AGS838/3	. BODY, union elbow	10	-	SK4/12
EEAS29/1ER	. BRACKET (Mod 4864)	2	-	SK2/1
EEAS136	. BRACKET	17	-	SK2/2
EA3.80.1665	. CLAMP, pipes half at frames 6, 7 and 8	6	-	SK2/3
A25/6B	. Attaching parts for EA3.80.1665 (per pair) :-			
A25/7B	. Bolt, 4BA	QR	-	SK2/4
AGS2001B1	. Bolt, 4BA	QR	-	SK2/5
SP13B	. Nut, 4BA	2	-	SK2/6
SP15B	. Washer, 4BA	1	-	SK2/7
SP15B	. Washer, 4BA	1	-	SK2/8
SP91B	. CLIP, bonding	1	-	SK2/9
AS4525/5	. CLIP, pipe (Pre-Mod 5198)	67	-	SK2/10
AS4525/5	. CLIP, pipe (Mod 5198)	70	-	
EEAS552/6	. Attaching parts for AS4525/5 :-			
EEAS552/7	. Bobbin	QR	-	SK2/11
A25/1C	. Bobbin	QR	-	SK2/12
A25/6C	. Bolt, 2BA	QR	-	SK2/13
AGS2001C1-66	. Bolt, 2BA	QR	-	SK2/14
8R x 1/4"	. Nut, 2BA	QR	-	SK2/15
SP15C	. Screw	QR	-	SK2/16
EEAS21/2D0H	. Washer	QR	-	SK2/17
EEAS239/1A	. Washer, 'D'	QR	-	SK2/18
EEAS239/1AH	. Washer, 'D'	QR	-	SK2/19
EEAS239/1AH	. Washer, 'D'	QR	-	SK2/20
EEAS91/2	. CLIP, pipe, double (Pre-Mod 5198)	6	-	SK2/21
EEAS91/2	. CLIP, pipe, double (Mod 5198)	2	-	
SP91A	. CLIP, hose	12	-	SK3/60
AGS3094	. CONNECTOR, screwed static (Mod 5228)	1	-	SK4/15

SERVICES

PITOT AND STATIC SYSTEM

Part Number	Description	No. Off	Mtl. Spec.	Plate No.
AGS838/6	. DRAIN, tap (Pre-Mod 5198)	7	-	SK4/16
AGS838/6	. DRAIN, tap (Mod 5198)	8	-	
AGS838/9	. Attaching parts for AGS838/6 :-	7	-	SK4/17
AGS838/9	. Washer (Pre-Mod 5198)	8	-	
SCC79869/5	. Washer (Mod 5198)	1	-	SK2/22
A25/5C	. FAIRLEAD, at navigator's station (SRIM.3833) (Mod 4799)	1	-	
AGS2001C1/66	. Attaching parts for SCC79869/5 :-	1	-	SK2/23
SP15C	. Bolt, 2BA	1	-	SK2/24
SCD79165/5	. Nut, stiff, 2BA	1	-	SK2/25
SCD79165/5	. Washer	1	-	
SCD79165/6	. FAIRLEAD, half, at zero reader (SRIM.3833) (Mod 4799)	1	-	SK2/26
SCD79165/6	. FAIRLEAD, half, at zero reader (SRIM.3833) (Mod 4799)	1	-	SK2/27
AS1246/14B	. Attaching parts for SCD79165/5 and SCD79165/6 :-	2	-	SK2/28
AGS3099	. Bolt, 4BA	1	-	SK4/19
WF130-27	. GASKET, 'O' ring at climb indicator, pilot's panel	1	-	SK1/1
or	. HEAD, pressure, Mk. 8W	1	-	
6A2176	. HEAD, pressure, Mk. 8M	1	-	
A36B8	. Attaching parts for WF130-27 or 6A/2176 :-	8	-	SK1/2
DUNLOP	. Screw, 4BA	1	-	SK3/61
HD58043A0-0782AA	. HOSE, flexible, zero reader computer	1	-	SK2/29
AS3360B5C	. LEAD, bonding	1	-	
A36B8	. Attaching parts for AS3360/B6C :-	1	-	SK2/30
SP13B	. Screw, 4BA	1	-	SK2/31
AS3360B3C	. Washer, 4B A	3	-	SK2/32
AS1242/10C	. LEAD, bonding	2	-	SK2/33
AGS2001C1/66	. Attaching parts for AS3360/C3C :-	2	-	SK2/34
KOLLSMAN	. Bolt, 2BA csk.	1	-	SK4/18
L84340/00/080	. Nut, 2BA	1	DTD683	SK1/3
EA3.80.2375	. MODULE, correction (Mod 4864)	1		
EA3.80.2901	. MOUNTING, pressure head	1		
EA3.80.2379	. Attaching parts for EA3.80.2375 :-	1	DTD683	SK1/4
EA3.80.2381	. Nut	1	Shore 70	SK1/5
EA3.80.2391	. Sleeve, rubber	2	L72	SK1/6
EA3.80.2383	. Washer, inner seal retaining	1	L72	SK1/7
	. Washer, outer sealing	1	Shore 70	SK1/8
	. Washer, rubber, inner sealing	1		

SERVICES
PITOT AND STATIC SYSTEM

Part Number	Description	No. Off	Matl. Spec.	Plate No.	1 2 3 4 5 6					
EG9.80.1175	MOUNTING, P.E.C.U. INSTALLATION (MOD 4864)	—	—	SK1/9						
	Spares for :-									
EG4.80.1117	ANGLE, 18 SWG	1	L72	SK1/10						
EG9.80.1177	BRACKET, assembly, 18 SWG	1	L72	SK1/11						
AGS838/13	NUT, union (Pre-Mod 5198)	116	—	SK4/20						
AGS838/13	NUT, union (Mod 5198)	110	—							
AS8599	NUT, union (Mod 4864)	2	—	SK4/21						
AS44444	NUT, union, assembly (Mod 5228)	1	—							
EG4.80.419	PACKING, (Mod 3833)	2	—	SK4/22						
EB2.70.1037	PIECE, distance at drain traps and 4-way connectors (Mod 4864)	7	—	SK4/23						
AGS1115/3	PLATE, reinforcing	3	—	SK4/24						
EA3.80.1649	PIPE, drain, reservoir	7	—	SK3/1						
EB6.80.4601	PIPE, pitot, head connection	1	L54	SK3/2						
EB6.80.4603	PIPE, pitot, continuation to tee piece	1	L54	SK3/3						
EB6.80.681	PIPE, pitot, continuation to connection	1	L54	SK3/4						
EB6.80.4649	PIPE, pitot, continuation to connection	1	L54	SK3/5						
EB6.80.4647	PIPE, pitot, continuation to drain trap	1	L54	SK3/6						
EB6.80.4633	PIPE, pitot, drain trap connection to connection of frame 1	1	L5	SK3/7						
EB6.80.125	PIPE, pitot, continuation to tee piece, between frames 1 and 2	1	L54	SK3/8						
EA3.80.2751	PIPE, pitot, tee piece to connection aft of frame 4	1	—	SK3/9						
EB6.80.5407	PIPE, pitot, continuation to drain trap	1	—	SK3/10						
EB6.80.3621	PIPE, pitot, tee piece between frames 5 and 6 to bulkhead connection (Mod 4864)	1	L54	SK3/11						
EG4.80.519	PIPE, pitot, from bulkhead connection to tee piece aft of frame 11 (Mod 4864)	1	L54	SK3/12						
EG4.80.517	PIPE, pitot, from tee piece aft of frame 11 to centre fuselage (Pre-Mod 5198)	1	L54	SK3/13						
EB6.80.4621	PIPE, pitot, from tee piece between frames 1 and 2, and tee piece at pilot's instrument panel, to rubber tube	2	L54	SK3/14						
†	PIPE, pitot, from tee piece to A.S.I. (Com-Mod 0517) (Mod 4799)	1	L56	SK3/15						
†	PIPE, pitot, from tee piece to machmeter (Com-Mod 0517) (Mod 4799)	1	L56	SK3/16						
SCC79869/1	PIPE, pitot, from tee piece between frames 5 and 6 to rubber tube on navigator's A.S.I. (SR1M.3533) (Mod 4799)	1	L56	SK3/17						
EG4.80.1155	PIPE, pitot, from tee piece aft of frame 11 to P.E.C.U. (Mod 4864)	1	L54	SK3/18						
EG4.80.413	PIPE, static, starboard vent to connection at centre (Pre-Mod 5197)	1	L54							
EG4.80.1501	PIPE, static, starboard vent to connection at centre (Mod 5197)	1	L54	SK3/19						
EG4.80.411	PIPE, static, centre connection to tee piece (Mod 3833)	1	L54	SK3/20						

SERVICES
PITOT AND STATIC SYSTEM

Part Number	Description	No. Off	Mati. Spec.	Plate No.
EB6.80.5467	. PIPE, static, from port vent to drain pipe tee piece	1	L54	SK3/21
EB6.80.5471	. PIPE, static, drain pipe tee piece to tee piece aft of frame A	1	L54	SK3/22
EB6.80.4645	. PIPE, static, tee piece aft of frame A to tee piece between frames A and 1	1	L54	SK3/23
EB6.80.4643	. PIPE, static, tee piece to connector between frames A and 1	1	L54	SK3/24
EB6.80.4635	. PIPE, static, connection between frame A and 1 to connection at frame 1	1	L54	SK3/25
EB6.80.123	. PIPE, static, connection at frame 1 to tee piece between frames 1 and 2	1	L54	SK3/26
EA3.80.2747	. PIPE, static, tee piece between frames 1 and 2 to connection aft of frame 4	1	L54	SK3/27
EB6.80.5409	. PIPE, static, connection aft of frame 4 to tee piece between frames 5 and 6	1	L54	SK3/28
EB6.80.3629	. PIPE, static, tee piece between frames 5 and 6 to bulkhead connection (Pre-Mod 5198)	1	L54	SK3/29
EA3.80.1603	. PIPE, static, bulkhead connection to centre fuselage (Pre-Mod 5198)	1	L54	SK3/30
EB6.80.4641	. PIPE, static, tee piece between frames A and 1 to drain pipe at frame 1	1	L54	SK3/31
SCD79165/10	. PIPE, static, drain pipe at frame 1 to rubber tube forward of frame 1 (SRIM.3533) (Mod 4799)	1	L56	SK3/32
EB6.80.4621	. PIPE, static, tee piece between frames 1 and 2 to rubber tube	1	L54	SK3/33
EG4.80.1201	. PIPE, static, rubber tube to tee piece at pilot's instrument panel	1	L54	SK3/34
R EG4.80.1057	. PIPE, static, stepped (Mod 4864) (Pre-Mod 5228)	1	L54	SK3/35
R EG4.80.1057	. PIPE, static (Mod 4864) (Mod 5228)	3	-	
†	. PIPE, static, to pilot's A.S.I. (Com-Mod 0517) (Mod 4799)	1	L56	SK3/36
†	. PIPE, static, to pilot's machmeter (Com-Mod 0517) (Mod 4799)	1	L56	SK3/37
†	. PIPE, static, to pilot's R.O.C. indicator (Com-Mod 0517) (Mod 4799)	1	L56	SK3/38
or				
R EG4.80.1507	. PIPE, static, to pilot's R.O.C. indicator (Mod 5228)	1	L54	
SCC79869/1	. PIPE, static, from tee piece between frames 5 and 6 to rubber tube on navigator's A.S.I. (SRIM.3533) (Mod 4799)	1	L56	SK3/39
EG4.80.1073	. PIPE, static, port vent to connection forward of frame 11 (Mod 4799)	1	L54	SK3/40
EG4.80.1095	. PIPE, static, connection forward of frame 11 to connection aft of frame 11 (Mod 4799)	1	L54	SK3/41

SERVICES
PITOT AND STATIC SYSTEM

Part Number	Description	No. Off	Mati. Spec.	Plate No.	
					1
EG4.80.1059	. PIPE, static, connection aft of frame 11 to connection at centre (Mod 4799)	1	L54	SK3/42	
EG4.80.1075	. PIPE, static, starboard vent to connection forward of frame 11 (Mod 4799)	1	L54	SK3/43	
EG4.80.1071	. PIPE, static, connection forward of frame 11 to connection aft of frame 11 (Mod 4799)	1	L54	SK3/44	
EG4.80.1083	. PIPE, static, connection aft of frame 11 to connection at centre (Mod 4799)	1	L54	SK3/45	
EG4.80.1051	. PIPE, static, connection at centre to connection forward of frame 11 (Mod 4799)	1	L54	SK3/46	
EG4.80.1149	. PIPE, static, connection forward of frame 11 to tee piece between frames 9 and 10 (Mod 4799)	1	L54	SK3/47	
EG4.80.1153	. PIPE, static, tee piece between frames 9 and 10 to bulkhead connection (Mod 4799)	1	L54	SK3/48	
EG4.80.1159	. PIPE, static, bulkhead connections to connection forward of frame 8 (Mod 4799)	1	L54	SK3/49	
EG4.80.1157	. PIPE, static, connection forward of frame 8 to drain trap (Mod 4799)	1	L54	SK3/50	
EG4.80.1085	. PIPE, static, drain trap to connection forward of frame 5 (Mod 4799)	1	L54	SK3/51	
EG4.80.1087	. PIPE, static, connection forward of frame 5 to rubber tube at navigator's altimeter (Mod 4799)	1	L54	SK3/52	
R EA1.80.713	. RING, sealing	3	-	SK4/25	
R AGS3099	. SEAL, 'O' ring (Mod 5228)	1	-	-	
EA3.80.1671	. TUBE, adaptor (Pre-Mod 5198)	2	L54	SK3/53	
EA3.80.1671	. TUBE, adaptor (Mod 5198)	1	L54	-	
EB6.80.5897	. TUBE, flexible, pitot line	1	-	SK3/54	
EB6.80.5899	. TUBE, flexible, static line	1	-	SK3/55	
EG4.80.1199	. TUBE, flexible, static line	1	-	SK3/56	
EB6.80.5901	. TUBE, flexible, pitot line, navigator's A.S.I.	1	-	SK3/57	
EG4.80.1099	. TUBE, flexible, static line, navigator's altimeter (Mod 4864)	1	-	SK3/58	
EG4.80.1107	. TUBE, flexible, static line, pilot's altimeter (Mod 4864)	1	-	SK3/59	
R EA1.80.711	. UNION, bulkhead	3	-	SK4/26	
R A25/2B	. Attaching parts for EA1.80.711 :-	6	-	SK4/27	
R Bolt, 4BA		6	-	SK4/28	
R AGS2001B1	. Nut, 4BA	6	-	SK4/29	
R SP13B	. Washer, 4BA	6	-	SK4/29	
AS6712	. UNION, elbow	1	-	SK4/30	
AGS838/3	. UNION, elbow (Pre-Mod 5228)	9	-	-	
AGS838/3	. UNION, elbow (Mod 5228)	10	-	-	
EB7.80.769	. VENT, STATIC, PORT, ASSEMBLY	1	-	SK1/12	
	Spares for :-				
EB7.80.777	. . PACKING	1	Neo-K-Tex	SK1/13	
EB7.80.773	. . PLATE, clamping	1	OTD124A	SK1/14	
EB7.80.775	. . SEAL	1	Neo-K-Tex	SK1/15	
EB7.80.771	. . VENT, static assembly	1	-	SK1/16	

PITOT AND STATIC SYSTEM

Part Number	1 2 3 4 5 6	Description	No. Off	Mati. Spec.	Plate No.
EB7.80.779	.	VENT, STATIC, STARBOARD, ASSEMBLY (PRE-MOD 5197) Spares for :-	1	-	SK1/17
EB7.80.787	.	. . PACKING	1	Neo-K-Tex	SK1/18
EB7.80.783	.	. . PLATE, clamping	1	DTD124A	SK1/19
EB7.80.785	.	. . SEAL	1	Neo-K-Tex	SK1/20
EB7.80.781	.	. . VENT, static assembly	1	-	SK1/21
EA9.80.1273	.	Attaching parts for EB7.80.769 and EB7.80.779 :-			
AGS2001B4	.	. Bolt, 4BA	4	DTD319	SK1/22
AGS1582C	.	. Nut, 4BA	4	-	SK1/23
	.	. Washer, 4BA	4	-	SK1/24
EB7.80.770	.	VENT, STATIC, FORWARD OF FRAME A, STARBOARD ASSEMBLY (MOD 5197) Consisting of :-	1	-	
EB7.80.777	.	. . PACKING	1	Neo-K-Tex	
EB7.80.774	.	. . PLATE, clamping, 18 SWG	1	DTD124A	
EB7.80.775	.	. . SEAL	1	Neo-K-Tex	
EB7.80.772	.	. . VENT, static, assembly	1	-	
EA9.80.1273	.	Attaching parts for EB7.80.770 :-			
AGS2001B4	.	. Bolt, 4BA	4	DTD319	
AGS1582C	.	. Nut, 4BA	4	-	
	.	. Washer	4	-	
EG4.80.1061	.	VENT, STATIC BETWEEN FRAMES 10 AND 11, PORT, INSTALLATION (MOD 4864) Spares for :-	-	-	SK1/25
EG4.80.1063	.	. . PLATE, static vent assembly Attaching parts for EG4.80.1063 :-	1	-	SK1/26
EB8.10.7870	.	. . Bolt, special	8	-	SK1/27
AGS2001C1/66	.	. . Nut, stiff, 2BA	8	-	SK1/28
SP15C	.	. . Washer	8	-	SK1/29
SP16C	.	. . Washer	8	-	SK1/30
EG4.80.1062	.	VENT, STATIC, BETWEEN FRAMES 10 AND 11, STARBOARD, INSTALLATION (MOD 4864) Spares for :-	-	-	SK1/31
EG4.80.1064	.	. . PLATE, static, vent assembly Attaching parts for EG4.80.1064 :-	1	-	SK1/32
EB8.10.7870	.	. . Bolt, special	8	-	SK1/33
AGS2001C1/66	.	. . Nut, stiff, 2BA	8	-	SK1/34
SP15C	.	. . Washer	8	-	SK1/35
SP16C	.	. . Washer	8	-	SK1/36
EEAS21/2ER	.	. WASHER, 'D'	1	-	SK2/35
AGS1115/3	.	. WASHER, plate	2	-	SK2/36
EEAS20/2CR	.	. WASHER, tab	1	-	SK2/37

SERVICES
PITOT AND STATIC SYSTEM

Part Number	Description	No. Off	Matl. Spec.	Plate No.
EG4.80.1341	PITOT AND STATIC SYSTEM IN PORT WING (PRE-MOD 5198) Spares for :-	-	-	
AGS838/8	. BUSH, rubber	14	-	SK6/1
EEAS91/2	. CLIP, double pipe	7	-	SK6/2
A25/1B	Attaching parts for EEAS91/2 :-	QR	-	SK6/3
AGS2001B2	. Bolt, 4BA	QR	-	SK6/4
EA1.80.781	. MOUNTING, A.M.U.	1	-	SK6/5
	Spares for :-			
KH2/061	. UNIT, air mileage Mk. 4A	1	-	SK6/6
	Attaching parts for KH2/061 :-			
A25/3C	. Bolt, 2BA	6	-	SK6/7
EEAS88	. Packing	2	-	SK6/8
EA3.80.1799	. MOUNTING, V.G. RECORDER AND VALVES	1	-	SK6/9
	Spares for :-			
EA3.80.1891	. ADAPTOR	2	-	SK6/10
A25/1C	. BOLT	4	-	SK6/11
EA3.80.1801	. BRACKET	1	-	SK6/12
EA3.80.1803	. BRACKET	2	-	SK6/13
AGS838/5	. BUSH	2	-	SK6/14
SP91A	. CLIP	4	-	SK6/15
EEAS91/2	. CLIP	1	-	SK6/16
	Attaching parts for EEAS91/2 :-			
A25/1B	. Bolt, 4BA	1	-	SK6/17
AGS2001B2	. Nut, stiff, 4BA	1	-	SK6/18
AGS952B	. COLLAR	4	-	SK6/19
AGS1142B	. NIPPLE, adaptor	4	-	SK6/20
AGS838/4	. NUT, union	2	-	SK6/21
EA3.80.1809	. PACKING	1	-	SK6/22
EA3.80.1813	. PIPE	1	-	SK6/23
EA3.80.1815	. PIPE	1	-	SK6/24
EA3.80.1899	. PIPE	2	-	SK6/25
EA3.80.1805	. PIPE, pitot	1	-	SK6/26
EA3.80.1807	. PIPE, static	1	-	SK6/27
EA3.20.2189	. PLATE, A.M.U. blanking (SCB79974)	1	-	
EA3.80.1845	. PLUG	2	-	SK6/29
AGS904B	. SLEEVE	2	-	SK6/30
EA3.80.1827	. VALVE, stop	2	-	SK6/31
	Attaching parts for EA3.80.1827 :-			
A25/1B	. Bolt, 4BA	4	-	SK6/32
AGS2001B2	. Nut, stiff, 4BA	4	-	SK6/33
D517	. VALVE, 3-way	2	-	SK6/34
AGS838/4	. NUT, union	14	-	SK6/35
EA3.80.1823	. PIPE, pitot	1	-	SK6/36
EA3.80.1817	. PIPE, pitot, to A.M.U.	1	-	SK6/37
EA3.80.1821	. PIPE, static	1	-	SK6/38
EA3.80.1819	. PIPE, static, to A.M.U.	1	-	SK6/39
EA3.80.659E	. RESERVOIR, drain trap	2	-	SK6/40
AGS838/2	. UNION, tee	4	-	SK6/28

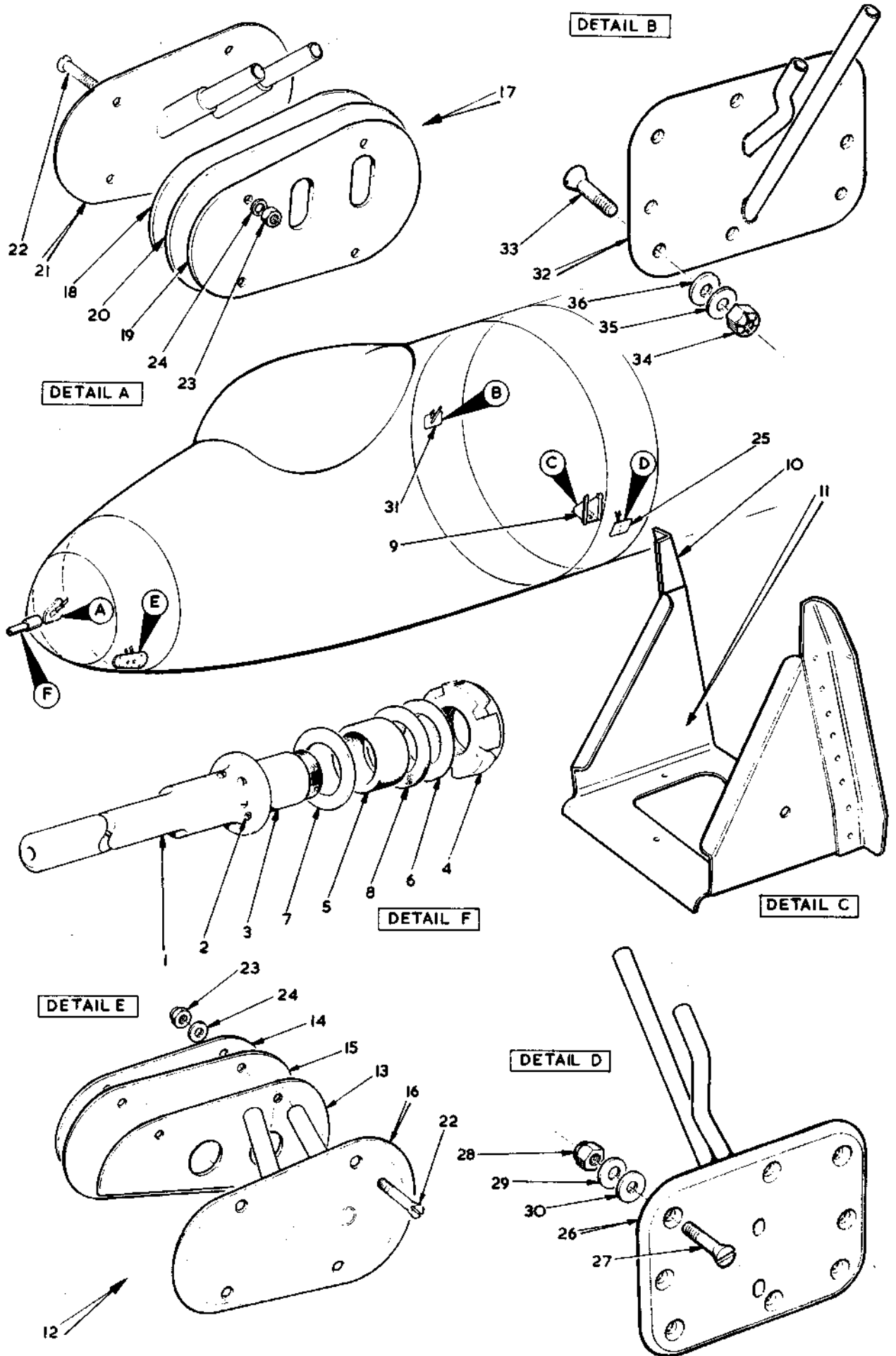


FIG. I. PITOT AND STATIC SYSTEM

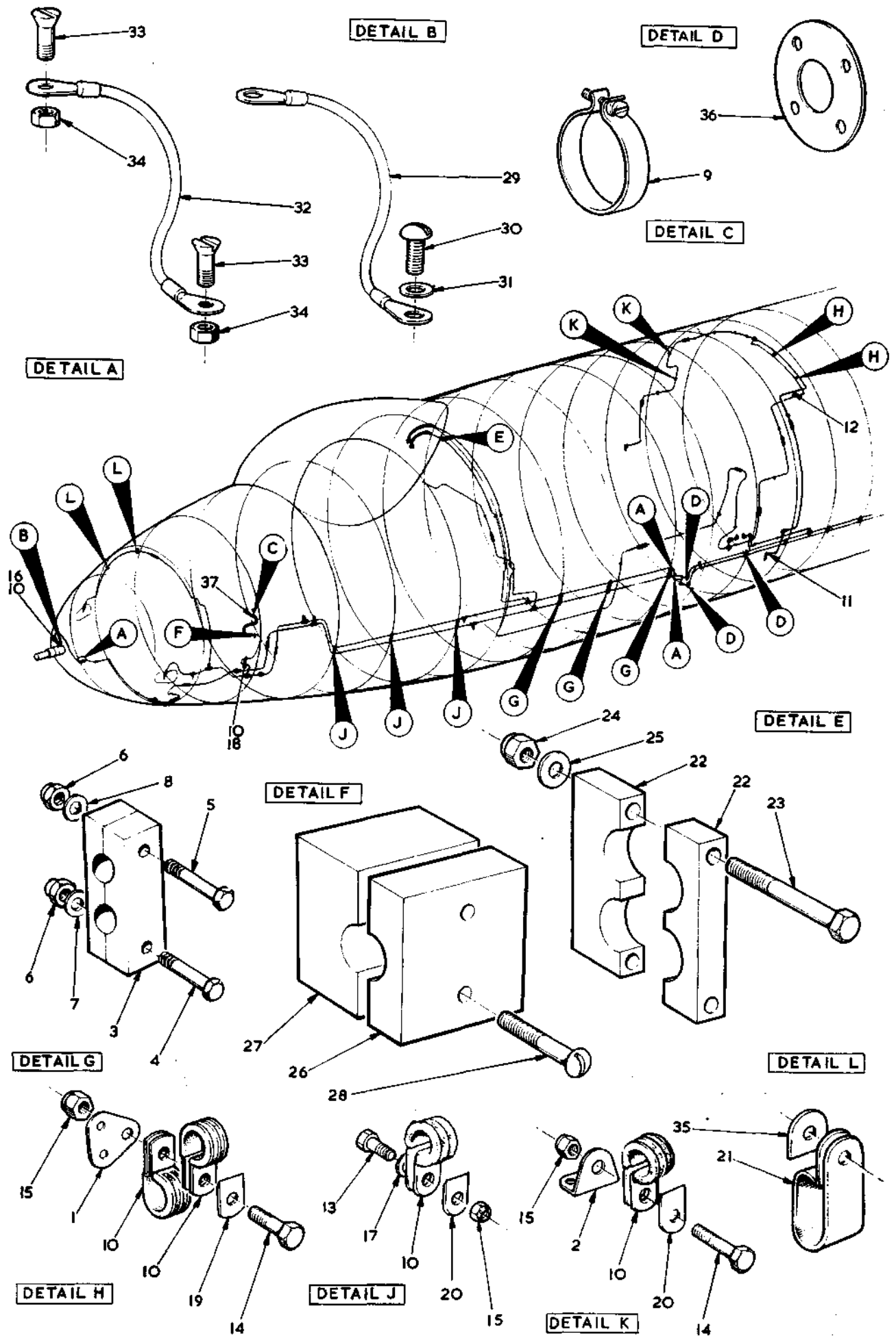


FIG. 2. PITOT AND STATIC SYSTEM

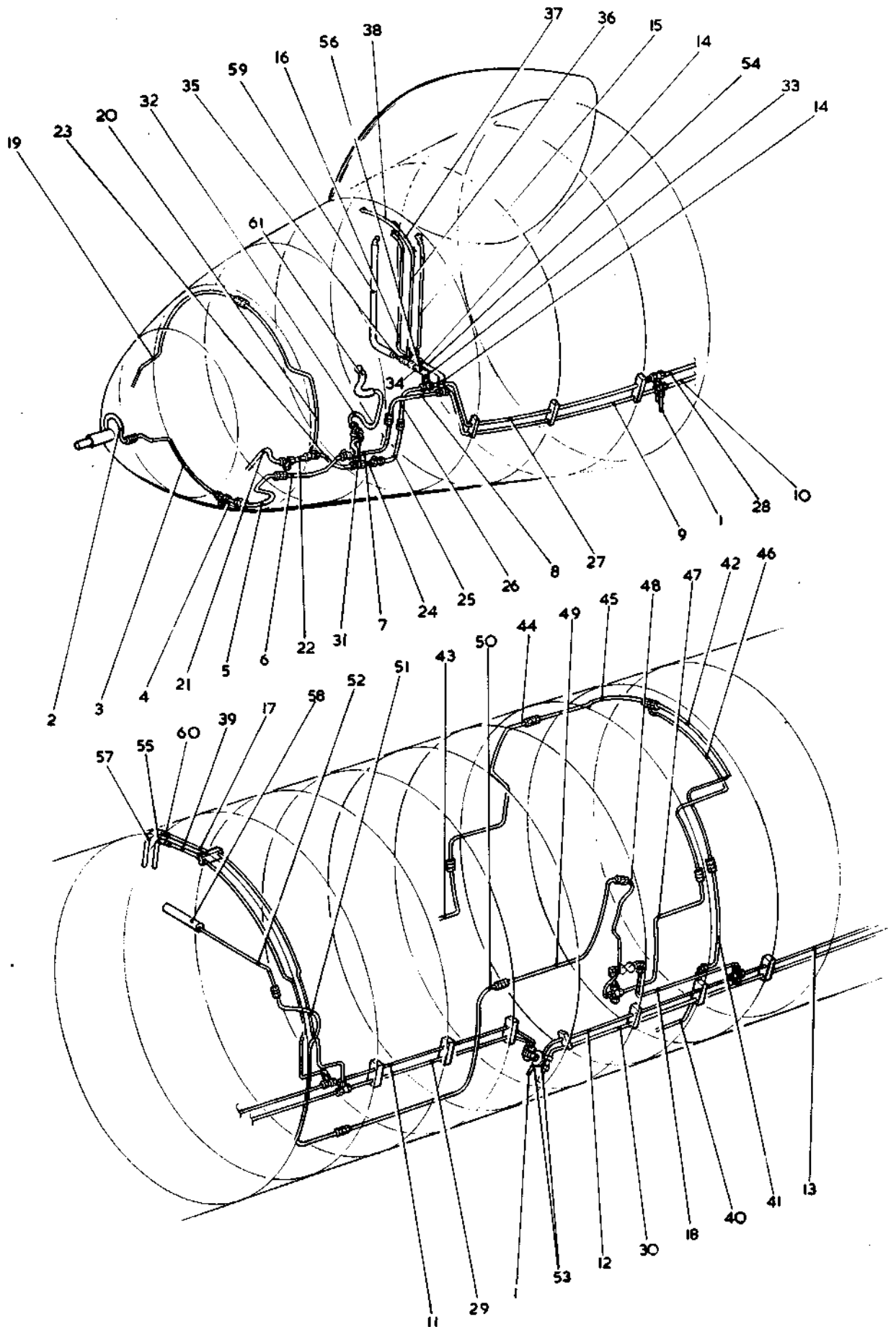


FIG. 3. PITOT AND STATIC SYSTEM

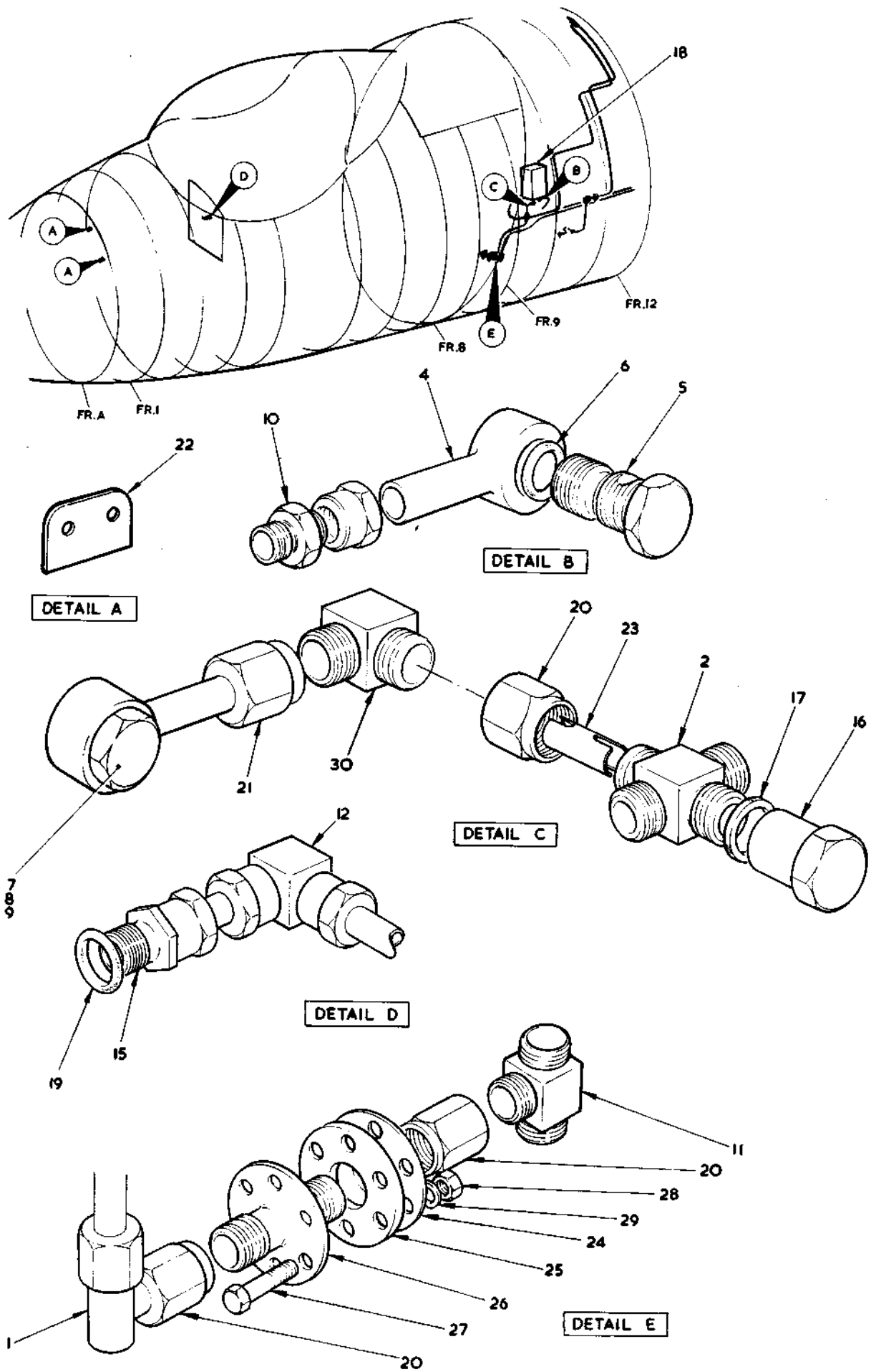


FIG. 4 PITOT AND STATIC SYSTEM

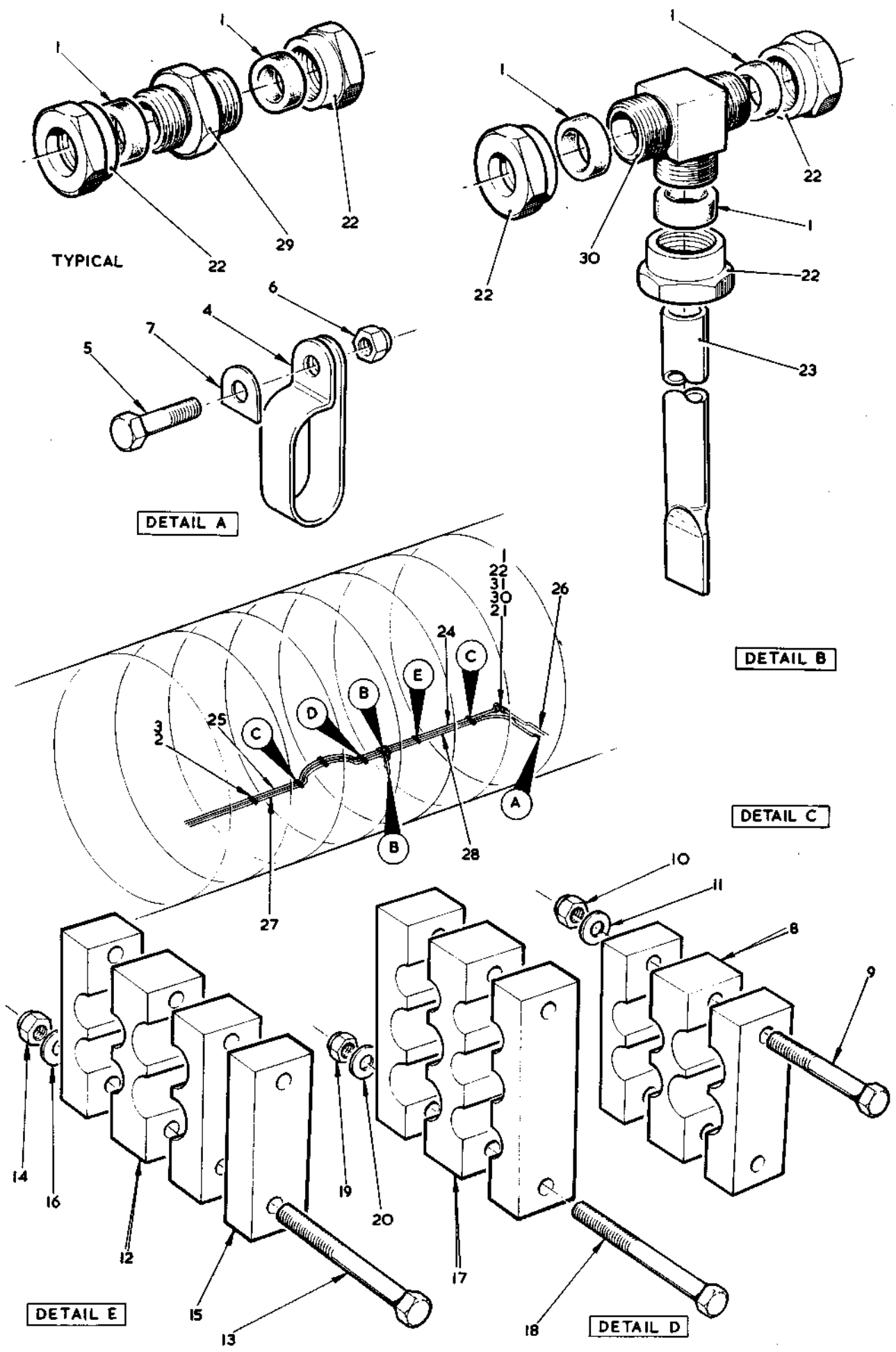
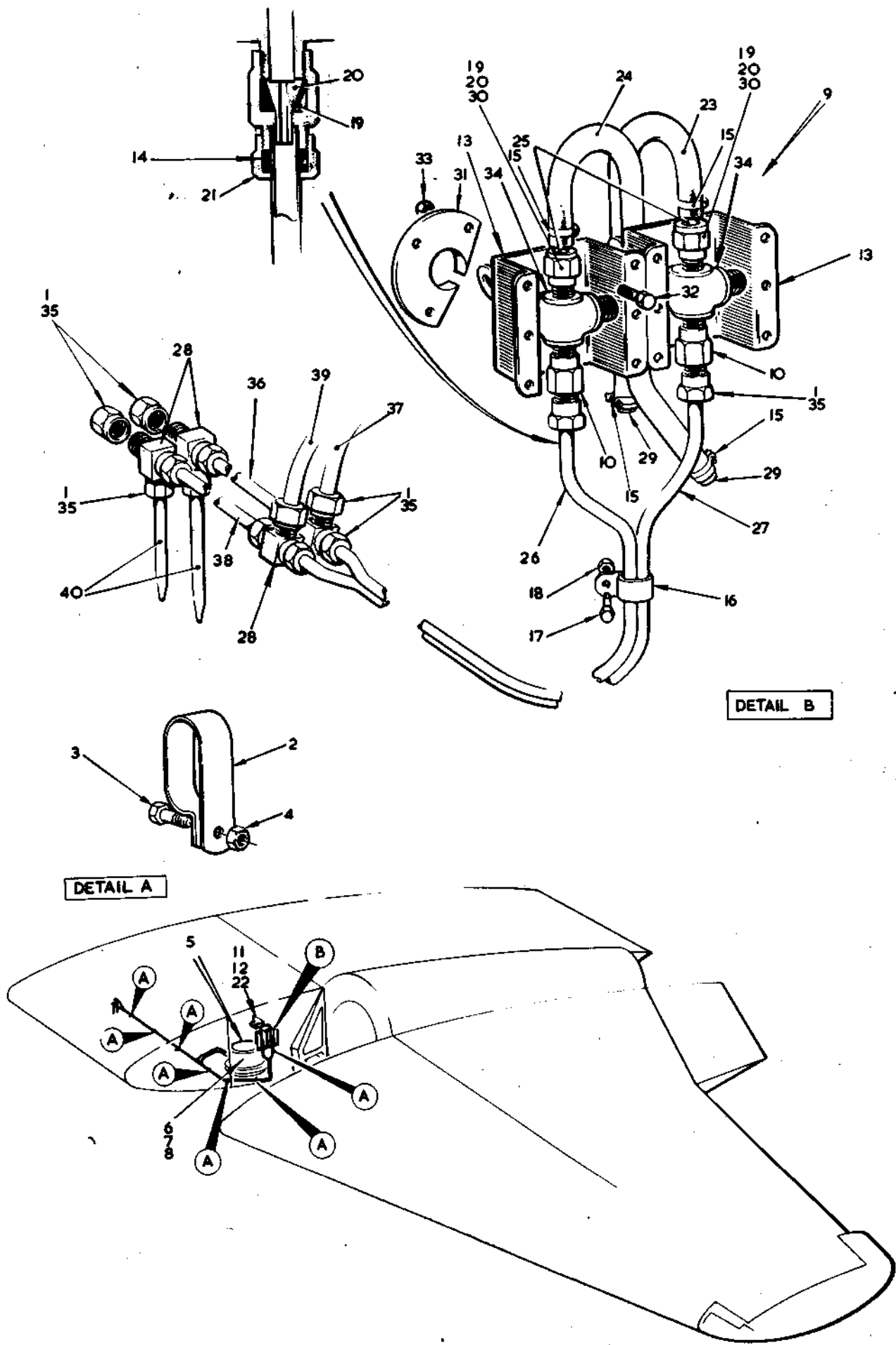


FIG.5. PITOT & STATIC SYSTEM



DETAIL A

DETAIL B

FIG. 6 PITOT & STATIC SYSTEM

This file was downloaded
from the RTFM Library.

Link: www.scottbouch.com/rtfm

Please see site for usage terms,
and more aircraft documents.

