

AP101B-0415-3A

TAIL UNIT
TAILPLANE AND ELEVATORS

Part Number	Description	No. Off	Mati. Spec.	Plate No.
EA9.00.21	TAILPLANE AND ELEVATORS, ASSEMBLY (PRE-MOD 5100)	-	-	TB1/1
EG4.00.417	TAILPLANE AND ELEVATORS, ASSEMBLY (ALT. R60/13-MOD 5100)	-	-	
EEAS13/1	Spares for:-			
EA1.30.335	. BOLT, special, 1/4" BSF	1	S11	TB6/2
EA3.31.47	. BUFFER, rubber	2	Shore 45	TB9/8A
EG4.00.609	. BUSH, serrated	1	-	TB6/3
	. ELEVATOR, C/W TAB PORT, ASSEMBLY (EA9.31.111) (MOD 5119)	1	-	
	(PRE-MOD 5347)			
EG4.00.629	. ELEVATOR, C/W TAB PORT, ASSEMBLY (Spares for EA9.31.107, EA9.31.111) (MOD 5347)	1	-	TB1/2
	Spares for:-			
EA1.31.709	. . . ARM, MASS BALANCE, ASSEMBLY Consisting of:-	1	-	TB1/3
EA1.31.713 ARM, balance weight	1	S95	TB1/4
EA1.31.705 PIN, special, locking balance weight to arm	1	S95	TB1/5
EA1.31.707 PLUG, screwed, end fitting	1	S95	TB1/6
EA1.31.711 WEIGHT, mass balance	1	GEC	TB1/7
EA1.31.129 WEIGHT, balance make-up	1	Heavy Metal GEC	TB1/8
	Attaching parts for EA1.31.129:-		Heavy Metal	
EA1.31.133	. . . Bolt, special	2	MS	TB1/9
	Attaching parts for EA1.31.709:-			
A27JS	. . . Nut, 3/8" BSF	1	-	TB1/10
SP90C7	. . . Pin, split, 1/16" dia	1	-	TB1/10A
EEAS28/34JR	. . . Washer	1	-	TB1/11
SKEFKO	. . . BALLRACE, elevator tab 1	1	-	TB5/1
CBA2	. . . BALLRACE, tab control lever at tab torque mounting	1	-	TB5/2
SKEFKO	. . . BOLT, special, bearing tab hinge	1	S11	TB5/3
T.T.S8 1/2	. . . BRACKET, link mounting	1	L40	TB1/12
EA1.31.63	Attaching parts for EA1.31.157:-			
EA1.31.157	. . . Bolt, 1/4" BSF	2	-	TB1/13
A25/5E	. . . Nut, 1/4" BSF	2	-	TB1/14
A27EP				

TAIL UNIT
TAILPLANE AND ELEVATORS

Part Number	1 2 3 4 5 6	Description	No. Off	Mati. Spec.	Plate No.
AGS2031/22		. . . CIRCLIP, external, 1 ¹ / ₁₆ " dia	1	—	TB5/4
AGS2030/22		. . . CIRCLIP, internal 23 m/m	1	—	TB5/5
EB7.82.5669		. . . DISCHARGER, STATIC, INSTALLATION (MOD 5119) Spares for:—	—	—	
10AD/1071416	 BASE, mounting, Type 2/23	5	—	TB1/38
EB7.82.5679	 BASE, mounting (Make from Ref. 10AD/1071416)	1	—	TB1/39
10AD/7103934	 DISCHARGER, static type 2/11	5	—	TB1/40
10AD/7103935	 DISCHARGER, static type 2/12	1	—	TB1/41
EA1.31.11		. . . ELEVATOR, PORT, ASSEMBLY (PRE-MOD 5100)	1	—	TB3/1
EA3.31.5025		. . . ELEVATOR, PORT, ASSEMBLY (ALT. R60/50-MOD 5100) Spares for:—	1	—	
EA1.31.79	 BRACKET, hinge Attaching parts for EA1.31.79:—	3	—	TB3/2
A25/3C	 Bolt, 2BA	2	—	TB3/3
AS1242/3C	 Bolt, 2BA	1	—	TB3/4
A25/4C	 Bolt, 2BA	2	—	TB3/5
AS1242/4C	 Bolt, 2BA	1	—	TB3/5A
ASG2001C1/66	 Nut, 2BA	3	—	TB3/6
SP125C	 Washer	3	—	TB3/7
EA1.31.485	 COVER, hand hole Attaching parts for EA1.31.485:—	2	L72	TB3/8
AS1242/1C	 Bolt, 2BA	8	—	TB3/9
EA1.31.7	 HORN, ELEVATOR, PORT, ASSEMBLY (PRE-MOD 5100)	1	—	TB3/10
EA3.31.5033	 HORN, ELEVATOR, PORT, ASSEMBLY (ALT. R60/50-MOD 5100) Spares for:—	1	—	
EA1.31.51	 BRACKET, horn (Pre-Mod 5100)	1	L53	TB3/11
EA3.31.5009	 BRACKET, horn (Alt. R60/50-Mod 5100)	1	DTD300	
EEAS1/2C	 SCREW, 2BA	3	S96	TB3/12
EEAS1/4C	 SCREW, 2BA	8	S96	TB3/13
EEAS1/4 ¹ / ₂ E	 SCREW, 1/4" BSF	16	S96	TB3/14
EA1.31.91	 SPIGOT, hinge	1	S96	TB3/15

R
R
R

AP101B-0415-3A

TAIL UNIT
TAILPLANE AND ELEVATORS

Part Number	Description						No. Off	Matl. Spec.	Plate No.
	1	2	3	4	5	6			
EA3.31.25	1	-	TB3/16
EA3.31.29	1	MS	TB3/17
EA3.31.27	1	DTD126A	TB3/18
EA1.31.333	QR	L64	TB3/19
EA1.31.339	1	-	TB3/20
SP42J	1	-	TB3/21
SP15J	QR	-	TB3/22
EA3.31.39	1	S92	TB3/23
EA3.31.41	QR	S92	TB3/24
EA1.31.83	1	L40	TB3/25
A27CT	4	-	TB3/25A
EEAS1/2C	4	-	TB3/28
SP16C	4	-	TB3/28A
EA1.31.679	1	L72	TB3/26
EA1.31.325	8	Balsa Wood	TB3/27
EEAS1/2½E	6	S11	TB3/29
EA1.31.15	1	-	TB1/15
EA3.31.5035	1	-	
EA1.31.249	1	-	TB6/17B
A25/10C	2	-	TB6/17C
A27CP	2	-	TB6/17D
SP16C	2	-	TB6/17E
EA1.31.169	1	-	TB1/16
T.T.58½	1	-	TB1/17
EEAS3K	1	-	TB1/18
EA1.31.169A	1	L40	TB1/19
AS1246/4E	2	-	TB1/20
A27EP	2	-	TB1/21
SP15E	2	-	TB1/22

TAIL UNIT
TAILPLANE AND ELEVATORS

Part Number	Description						No. Off	Matl. Spec.	Plate No.
	1	2	3	4	5	6			
EA1.31.53	BRACKET, hinge, elevator, centre (Pre-Mod 5100)	1	L53	TB6/4
EA3.31.5007	BRACKET, hinge, elevator, centre (Alt.R60/72-Mod 5100)	1	DTD300	
	Attaching parts for EA1.31.53 or EA3.31.5007 :-			
A25/4C	Bolt, 2BA	2	-	TB6/5
AS1242/5C	Bolt, 2BA (Pre-Mod 5100)	4	-	TB6/6
A27CP	Nut, 2BA	6	-	TB6/7
EEAS41/8	Pin, sealing	2	-	
EEAS1/5C	Screw, 2BA (Alt.R60/72-Mod 5100)	4	S96	
EA9.31.89	Shim (Mod 4160) (Make from 30B/2443)	2	-	TB6/11
EA9.31.91	Shim (Mod 4160) (Make from 30B/2443)	2	-	TB6/12
EA3.31.421	BUSH, balance weight arm	1	S95	TB1/23
EA1.31.149	HINGE, elevator inboard	1	L45	TB1/24
	Attaching parts for EA1.31.149 :-			
EEAS37/8A	Nipple	8	S11	TB1/25
EEAS38/2A	Spoke, 4BA (Make from Ref. 28R/6124)	4	S11	TB1/26
EA1.31.317	MOUNTING, TAB TORQUE TUBE ASSEMBLY	1	-	TB6/13
	Spares for :-			
EA1.31.215	LEVER, stop pin	1	S11	TB6/14
SP90C9	PIN, split	1	-	TB6/15
	Attaching parts for EA1.31.317 :-			
A25/2C	Bolt, 1/4" BSF	1	-	TB6/16
A29ES	Nut, 1/4" BSF	1	-	TB6/17
SP90A7	Pin, split, 1/32" dia	1	-	TB6/17A
EA1.31.303	Shim	1	Alum	TB6/18
SP15E	Washer	1	-	TB6/19
EA1.31.91	SPIGOT, hinge	1	S11	TB6/20
	Attaching parts for EA1.31.91 :-			
A29NS	Nut, 1/2" BSF	1	-	TB6/8
SP90E8	Pin, split, 3/32" dia	1	-	TB6/10
EA1.31.159	LEVER, elevator, coupling assembly (Pre-Mod 2705)	1	-	TB1/28
EA9.31.45	LEVER, elevator, coupling assembly (Mod 2705)	1	-	
	Spares for :-			
SKEFKO	BEARING, ballrace, for lever EA1.31.159	1	-	TB1/28A
CBA 3	BEARING, ballrace, for lever EA9.31.45	1	-	TB1/28B
FAFNIR	Attaching parts for EA1.31.159 or EA9.31.45 :-			
KSP 6	Bolt, 1/4" BSF	4	-	TB1/29
A25/7E	Bolt, 1/4" BSF	5	-	TB1/30
A25/8E	Nut, 1/4" BSF	9	-	TB1/31
A27EP				

TAIL UNIT
TAILPLANE AND ELEVATORS

Part Number	1 2 3 4 5 6	Description	No. Off	Mati. Spec.	Plate No.
EA1.31.691		LEVER, elevator tab operating Attaching parts for EA1.31.691:--	1	L40	TB5/7
A25/8C		Bolt, 2BA	1	-	TB5/9
AGS2001C1/66		Nut, 2BA	1	-	TB5/10
EA1.31.155		LINK, restricting, operating lever travel Attaching parts for EA1.31.155:--	2	L72	TB1/32
AGS899/6		Collar, 5/16" i/d	2	-	TB1/33
SP4YF11		Pin	1	-	TB1/34
SP4YF13		Pin	1	-	TB1/35
SP90E6		Pin, split, 3/32" x 3/4"	2	-	TB1/36
SP15G		Washer	2	-	TB1/37
A27GT		NUT, 5/16" BSF	1	-	TB5/21
EA1.31.211		NUT, special clamp torque tube	1	S1	TB5/14
EA1.31.363		PLUG, elevator mechanism inspection	2	-	TB5/15
EA3.30.273		ROD, CONNECTING, BETWEEN ELEVATOR TAB OPERATING LEVER ASSEMBLY (PRE-MOD 4930)	1	-	TB5/16
EA3.30.411		ROD, CONNECTING, BETWEEN ELEVATOR TAB OPERATING LEVER ASSEMBLY (MOD 4930) (PRE-MOD 5473)	1	-	
EA3.30.475		ROD, CONNECTING, ASSEMBLY (MOD 5473) Spares for:--	1	-	
EA1.31.99		ROD-END (PRE-MOD 5473)	1	DTD683	TB5/17
EA3.30.479		ROD-END (MOD 5473)	1	-	
EA1.31.101		ROD-END, assembly (PRE-MOD 5473)	1	-	TB5/18
EA3.30.481		ROD-END (MOD 5473) Attaching parts for EA3.30.273 or EA3.30.411:--	1	-	
EA1.31.65		Bolt, special connecting rod bearing	2	S65	TB5/19
A27CS		Nut, 2BA	2	-	TB5/20
SP90C7		Pin, split, 1/16" dia	2	-	TB5/11
EEAS27/8/4		Shim, washer	1	-	TB5/22
SP15C		Washer	2	-	TB5/23
SP16C		Washer	2	-	TB5/24
HOFFMANN CF2		ROD-END, assembly	1	-	TB5/6
or RANSOME & MARLES CM3/16C EG4.00.605		ROD-END, ASSEMBLY TAB ELEVATOR, PORT, ASSEMBLY (EA9.31.109) (MOD 5111) (PRE-MOD 5347)	1	-	
EG4.00.631		TAB, ELEVATOR, PORT, ASSEMBLY (Spares for EA9.31.109) (MOD 5347) Spares for:--	1	-	TB4/2
EA3.31.53		ARM, support balance weight Attaching parts for EA3.31.53:--	4	L40	TB4/3
A29EP		Nut, 1/4" BSF	1	-	TB4/4
EA1.31.269		Tube, distance	1	-	TB4/4A
SP16E		Washer	1	-	TB4/5
SP25E		Washer	1	-	TB4/6

R
R
R
R

TAIL UNIT

TAILPLANE AND ELEVATORS

Part Number	Description	No. Off	Mtl. Spec.	Plate No.
EA9.31.9	. . . FITTING, tab hinge, inter, inboard	1	L65	TB4/7
EA9.31.11	. . . FITTING, tab hinge, inter, outboard	1	L65	TB4/8
EA1.31.57	. . . FITTING, tab hinge, inboard end	1	-	TB4/9
EA3.31.23	. . . FITTING, tab hinge, outboard end	1	L40	TB4/10
EA1.31.61	. . . PIN, special tab bearing	3	S11	TB4/11
A27ET	Attaching parts for EA1.31.61:- . . . Nut, 1/4" BSF	1	-	TB4/11A
EA9.31.13	. . . WEIGHT, balance	2	-	TB4/12
EA1.45.49	Attaching parts for EA9.31.13:- . . . Bolt, special	2	S1	TB4/13
EEAS27/8/4	. . . Shim	2	Alum	TB4/14
EA9.31.27	. . . TORQUE, TUBE AND BLOW BACK ROD ASSEMBLY	1	-	TB5/25
	Consisting of:-			
EA1.31.167	. . . BRACKET, torque tube bearing	1	-	TB5/26
EA1.31.443	. . . LEVER, operating	1	-	TB5/27
	Attaching parts for EA1.31.443:-			
EEAS1/5C	. . . Bolt, 2BA	4	S11	TB5/28
A27CS	. . . Nut, 2BA	4	MS	TB5/29
SP90C7	. . . Pin, split, 1/16" dia	4	-	TB5/29A
SP15C	. . . Washer	4	-	TB5/30
EA1.31.199	. . . TUBE, torsion, assembly	1	-	TB5/31
EA9.31.19	. . . ROD, blow back, assembly	1	-	TB5/32
	Attaching parts for EA9.31.19:-			
A29JS	. . . Nut, 3/8" BSF	1	-	TB5/33
SP90C7	. . . Pin, split, 1/16" dia	1	-	TB5/33A
	Attaching parts for EA9.31.27:-			
A25/5E	. . . Bolt, 1/4" BSF	2	-	TB5/34
A27ES	. . . Nut, 1/4" BSF	2	-	TB5/35
SP90C7	. . . Pin, split, 1/16" dia	2	-	TB5/35A
EB7.00.5217	. . . ELEVATOR, C/W TAB, STARBOARD, ASSEMBLY	1	-	
	(EA3.31.5043) (MOD 5119) (PRE-MOD 5347)			
EB7.00.5247	. . . ELEVATOR, C/W TAB, STARBOARD, ASSEMBLY	1	-	TB2/1
	(Spares for EA3.31.5043) (MOD 5347)			
EA1.31.710	. . . ARM, MASS BALANCE ELEVATOR, ASSEMBLY	1	-	TB2/2
	Consisting of:-			
EA1.31.713	. . . ARM, balance weight	1	S95	TB2/3
EA1.31.705	. . . PIN, special, locking balance weight to arm	1	S95	TB2/4
EA1.31.707	. . . PLUG, screwed end fitting	1	S95	TB2/5
EA1.31.712	. . . WEIGHT, mass balance	1	GEC	TB2/6
EA1.31.129	. . . WEIGHT, balance make-up	1	Heavy Metal GEC	TB2/7
	Attaching parts for EA1.31.129:-			
EA1.31.133	. . . Bolt, special	2	MS	TB2/8
	Attaching parts for EA1.31.710:-			
A27JS	. . . Nut, 7/4" BSF	1	-	TB2/9
SP90C7	. . . Pin, split, 1/16" dia	1	-	TB2/9A
EEAS28/34JF	. . . Washer	1	-	TB2/10

R
R

AP101B-0415-3A

TAIL UNIT
TAILPLANE AND ELEVATORS

Part Number	Description	No. Off	Matl. Spec.	Plate No.
SKEFKO				
CBA2	. . . BALLRACE, elevator tab	1	-	TB5/1
EA1.31.63	. . . BOLT, special, bearing tab hinge	1	S11	TB5/3
EA1.31.275	. . . BOLT, special stop	1	L40	TB2/11
AGS2030/22	. . . CIRCLIP, internal, 23 m/m	1	-	TB5/5
EB7.82.5670	. . . DISCHARGER, STATIC, INSTALLATION (MOD 5119)	-	-	
	Spares for :-			
R 10AD1071416 BASE, mounting, type 2/23	5	-	TB2/39
R EB7.82.5679 BASE, mounting (Make from Ref. 10AD/1071416)	1	-	TB2/40
R 10AD7103934 DISCHARGER, static type 2/11	5	-	TB2/41
R 10AD7103935 DISCHARGER, static type 2/12	1	-	TB2/42
EA1.31.13	. . . ELEVATOR, STARBOARD, ASSEMBLY (PRE-MOD 5100)	1	-	TB2/12
EA3.31.5027	. . . ELEVATOR, STARBOARD, ASSEMBLY (ALT.R60/50-MOD 5100)	1	-	
	Spares for :-			
EA1.31.79 BRACKET, hinge	3	-	TB3/2
	Attaching parts for EA1.31.79 :-			
A25/3C Bolt, 2BA	1	-	TB3/3
AS1242/3C Bolt, 2BA	1	-	TB3/4
AGS2001C1/66 Nut, 2BA	2	-	TB3/5
SP16C Washer	1	-	TB3/7
SP15C Washer	1	-	TB3/6
EA1.31.485 COVER, hand hole	1	L72	TB3/8
	Attaching parts for EA1.31.485 :-			
AS1242/1C Bolt, 2BA	8	-	TB3/9
EA1.31.8 HORN, ELEVATOR, ASSEMBLY (PRE-MOD 5100)	1	-	TB3/30
EA3.31.5034 HORN, ELEVATOR, ASSEMBLY (ALT.R60/50-MOD 5100)	1	-	
	Spares for :-			
EA1.31.52 BRACKET, horn (Pre-Mod 5100)	1	L53	TB3/31
EA3.31.5010 BRACKET, horn (Alt.R60/50-Mod 5100)	1	DTD300	
EEAS1/2C SCREW, 2BA	3	S96	TB3/12
EEAS1/4C SCREW, 2BA	8	S96	TB3/13
EA1.31.91 SPIGOT, hinge	1	S11	TB3/15
EA3.31.25 WEIGHT, ELEVATOR, HORN BALANCE ASSEMBLY	1	-	TB3/16
	Consisting of :-			
EA3.31.29 BOLT, special	1	MS	TB3/17
EA3.31.27 DISC, balance weight	1	DTD126A	TB3/18
EA1.31.333 DISC, balance weight	QR	L64	TB3/19
EA1.31.339 HOUSING, balance weight	1	-	TB3/20
SP42J WASHER, tab	1	-	TB3/21
SP15J WASHER	QR	-	TB3/22
EA3.31.39 WEIGHT, mass balance	1	S92	TB3/23
EA3.31.41 WEIGHT, mass balance	QR	S92	TB3/24
EA1.31.83 HOUSING, bearing tab spar	1	L40	TB3/25
	Attaching parts for EA1.31.83 :-			
A27CT Nut, 2BA	4	-	TB3/25A
EEAS1/2C Screw, 2BA	4	-	TB3/28
SP16C Washer	4	-	TB3/28A

TAIL UNIT
TAILPLANE AND ELEVATORS

Part Number	Description	No. Off	Matl. Spec.	Plate No.
EA1.31.679 MEMBER, trailing edge	1	L72	TB3/26
EA1.31.325 PACKING, trailing edge	8	Balsa Wood	TB3/27
EEAS1/2½E SCREW, ¼" BSF	6	S11	TB3/29
EA1.31.17 SPAR, ELEVATOR, MAIN, STARBOARD ASSEMBLY (PRE-MOD 5100)	1	-	TB2/13
EA3.31.5037 SPAR, ELEVATOR, MAIN STARBOARD ASSEMBLY (ALT R60/72-MOD 5100)	1	-	
EA1.31.53 Spares for :- BRACKET, hinge elevator centre (Pre-Mod 5100)	1	L53	TB6/4
EA3.31.5007 BRACKET, hinge elevator centre (Alt R60/72-Mod 5100)	1	DTD300	
A25/4C Attaching parts for EA1.31.53 or EA3.31.5007 :- Bolt, 2BA	2	-	TB6/5
AS1242/5C Bolt, 2BA (Pre-Mod 5100)	4	-	TB6/6
A27CP Nut, 2BA	6	-	TB6/7
EEAS41/8 Pin, sealing	2	-	
EEAS1/5C Screw, 2BA (Alt R60/72-Mod 5100)	4	S96	
EA9.31.89 Shim (Mod 4160) (Make from 30B/2443)	2	-	TB6/11
EA9.31.91 Shim (Mod 4160) (Make from 30B/2443)	2	-	TB6/12
EA1.31.421 BUSH, balance weight arm	1	S951	TB2/14
EA1.31.151 HINGE, elevator, inboard	1	L45	TB2/15
EEAS37/8A Attaching parts for EA1.31.151 :- Nipple, 4BA	8	S11	TB2/16
EEAS38/2A Spoke, 4BA (Make from Ref. 28R/6124)	4	S11	TB2/17
EA1.31.91 SPIGOT, hinge	1	S11	TB6/20
A29NS Attaching parts for EA1.31.91 :- Nut, ½" BSF	1	-	TB6/8
SP90E8 Pin, split, 3/32" dia	1	-	TB6/10
EA1.31.351 LEVER, stop, coupling arm attachment	1	DTD683	TB2/18
A25/5G Attaching parts for EA1.31.351 :- Bolt, 5/16" BSF	3	-	TB2/19
A27GT Nut, 5/16" BSF	3	-	TB2/20
EA1.31.271 LEVER, COUPLING, CONTROL, ASSEMBLY (PRE-MOD 2705)	1	-	TB2/31
EA9.31.47 LEVER, COUPLING, CONTROL, ASSEMBLY (MOD 2705)	1	-	
EA1.31.275 Consisting of :- BOLT, special stop	1	L40	TB2/32
EA1.31.159 LEVER, elevator coupling (Pre-Mod 2705)	1	-	TB2/33
EA9.31.45 LEVER, elevator coupling (Mod 2705)	1	-	
SKEFKO Spares for :- BEARING, ballrace, for lever EA1.31.159	1	-	TB2/34
CBA 3 BEARING, ballrace, for lever EA9.31.45	1	-	TB2/34A
FAFNIR NUT, 3/8" BSF	1	-	TB2/30
KSP 6 Attaching parts for EA1.31.271 or EA9.31.47 :- Bolt, ¼" BSF	4	-	TB2/35
A27JT Bolt, ¼" BSF	5	-	TB2/36
A25/7E Nut, ¼" BSF	9	-	TB2/37
A25/8E NUT, 3/8" BSF	1	-	TB2/37A
A27EP				
A27JT				

TAIL UNIT
TAILPLANE AND ELEVATORS

Part Number	Description	No. Off	Matl. Spec.	Plate No.
EA1.31.363	. . . PLUG, elevator, mechanism inspection	2	-	TB2/38
EA1.31.105	. . . ROD, connecting, elevator tab gear Attaching parts for EA1.31.105:-	1	-	TB6/21
EA1.31.65	. . . Bolt, special, connecting rod bearing	1	-	TB6/22
A27CS	. . . Nut, 2BA	1	-	TB6/23
SP90C5	. . . Pin, split, 1/16" dia	1	-	TB6/24
EEAS27/8/4	. . . Shim, washer	1	-	TB6/25
SP15C	. . . Washer	1	-	TB6/26
SP16C	. . . Washer	1	-	TB6/27
EA3.00.5507	. . . TAB, ELEVATOR, STARBOARD, ASSEMBLY (EA3.31.5053) (MOD 5111) (PRE-MOD 5347)	1	-	
EA3.00.5733	. . . TAB, ELEVATOR, STARBOARD, ASSEMBLY (Spares for EA3.31.5053) (MOD 5347) Spares for:-	1	-	TB4/16
EA3.31.53	. . . ARM, support, balance weight Attaching parts for EA3.31.53:-	12	L40	TB4/3
A29EP	. . . Nut, 1/4" BSF	1	-	TB4/4
SP15E	. . . Washer	1	-	TB4/5
SP16E	. . . Washer	1	-	TB4/6
EA1.31.50	. . . FITTING, tab hinge, inter, inboard	1	L40	TB4/17
EA1.31.55	. . . FITTING, tab hinge, inter, outboard	1	L40	TB4/18
EA3.31.23	. . . FITTING, tab hinge, outboard end	1	-	TB4/10
EA1.31.449	. . . FITTING, tab hinge, inboard end	1	-	TB4/19
EA1.31.61	. . . PIN, special, tab bearing	3	S11	TB4/11
EA1.31.355	. . . WEIGHT, balance, inboard	2	-	TB4/20
EA1.31.353	. . . WEIGHT, balance, outboard	4	-	TB4/21
EA1.45.49	. . . Bolt, special	2	S1	TB4/13
EEAS27/8/4	. . . Shim, washer	1	-	TB4/14
EA9.00.377	. . . FAIRING, DETACHABLE, PORT, ASSEMBLY (EA1.30.1147) Spares for:-	1	-	TB7/1
EA1.30.1107	. . . PANEL, access Attaching parts for EA1.30.1107:-	1	L72	TB7/3
A33B12	. . . Screw, 4BA	8	-	TB7/4

R
R

TAIL UNIT
TAILPLANE AND ELEVATORS

Part Number	Description	No. Off	Matl. Spec.	Plate No.
EA3.30.267	. . PLATE, insert	1	—	TB7/5
EA9.30.39	. . SEAL, spring	1	—	TB7/7
EA9.00.378	. FAIRING, DETACHABLE, STARBOARD, ASSEMBLY (EA1.30.1148) Spares for:—	1	—	TB7/2
EA1.30.1107	. . PANEL, access Attaching parts for EA1.30.1107:—	1	L72	TB7/3
A33B12	. . Screw, 4BA	8	—	TB7/4
EA3.30.268	. . PLATE, insert	1	—	TB7/6
EA9.30.40	. . SEAL, spring Attaching parts for EA9.00.377 and EA9.00.378:—	1	—	TB7/8
A25/3C	. Bolt, 2BA	2	—	TB7/9
A33C16	. Screw, 2BA	4	—	TB7/10
EA3.31.43	. LINK, connecting Attaching parts for EA3.31.43:—	1	DTD683	TB6/28
A25/14J	. Bolt, $\frac{3}{8}$ " BSF	1	—	TB6/29
EA3.31.45	. Bolt, special	1	S95	TB6/1
A27JS	. Nut, $\frac{3}{8}$ " BSF	2	—	TB6/30
SP90C7	. Pin, split, $\frac{1}{16}$ " dia	2	—	TB6/30A
SP16J	. Washer	1	—	TB6/31
EA1.31.165	. Washer	2	—	TB6/31A
A27JT	. NUT, $\frac{3}{8}$ " BSF	1	—	TB6/34A
A27JTL	. NUT, $\frac{3}{8}$ " BSF	1	—	TB6/34B
A27NC	. NUT, $\frac{1}{2}$ " BSF	2	—	TB9/32
A58ES	. NUT, $\frac{1}{4}$ " BSF	1	—	TB6/38
SP90C7	. PIN, split, $\frac{1}{16}$ " dia	1	—	TB6/39
SP90E8	. PIN, split, $\frac{3}{32}$ " dia	2	—	TB9/33
EA3.31.49	. PLATE, locking Attaching parts for EA3.31.49:—	1	S95	TB6/32
A33C16	. Screw, 2BA	1	—	TB6/33
EA1.31.279	. ROD-END, assembly (Pre-Mod 5100)	1	—	TB6/34
EK5.31.607	. ROD-END, assembly (Alt. R60/14-Mod 5100)	—	—	—
EB8.31.31	. SCREW, special, connecting	1	—	TB6/35

AP101B-0415-3A

Page TB.11

TAIL UNIT

TAILPLANE AND ELEVATORS

Part Number	Description	No. Off	Matl. Spec.	Plate No.
R R R EK5.30.601	. TAILPLANE, ASSEMBLY (Pre-Mod 5261)	1	-	TB7/35
EA3.00.5519	. TAILPLANE, ASSEMBLY (Mod 5261)	1	-	
EA3.00.5521	. TAILPLANE, ASSEMBLY (This tailplane re-worked to Dwg. EA3.03.427 will fit Canberra Mk. 15) (Mod 5261) Spares for :-	1	-	
EA9.30.9	. . . BLOCK	1	-	TB7/36
EA9.30.10	. . . BLOCK	1	-	TB7/37
EA9.30.11	. . . BLOCK	1	-	TB7/38
EA9.30.12	. . . BLOCK	1	-	TB7/39
EA9.30.17	. . . BLOCK	1	-	TB7/40
EA9.30.18	. . . BLOCK	1	-	TB7/41
EA9.30.19	. . . BLOCK	1	-	TB7/42
EA9.30.20	. . . BLOCK	1	-	TB7/43
EA9.30.13	. . . PACKING	1	-	TB7/44
EA9.30.14	. . . PACKING	1	-	TB7/45
EA9.30.15	. . . PACKING	1	-	TB7/46
EA9.30.16	. . . PACKING	1	-	TB7/47
EA9.30.21	. . . PACKING	1	-	TB7/48
EA9.30.22	. . . PACKING	1	-	TB7/49
EA9.30.23	. . . PACKING	1	-	TB7/50
EA9.30.24	. . . PACKING	1	-	TB7/51
EA3.30.265	. . . PLATE, insert	1	-	TB7/52
EA3.30.266	. . . PLATE, insert	1	-	TB7/53
EA9.30.35	. . . SEAL, spring, assembly	1	-	TB7/54
EA9.30.36	. . . SEAL, spring, assembly	1	-	TB7/55
EB6.30.1	. . . TAILPLANE, ASSEMBLY Spares for :-	1	-	TB7/11
EA1.30.297	. . . BOLT, special, mounting between main spar and tailplane structure bottom port and starboard	4	S65	TB7/12
EA1.30.299	. . . BOLT, special, mounting between main spar and tailplane structure top port and starboard	4	S65	TB7/13
A25/10L	. . . BOLT, special jointing, at rib 1 to main spar bracket	4	-	TB7/14
EA1.30.323	. . . BOLT, special jointing, at rib 1 to main spar bracket	4	S11	TB7/15
EA1.30.413	. . . BRACKET, TAILPLANE ACTUATOR CHANNEL ASSEMBLY Spares for :-	1	-	TB8/1
EA1.30.407 BLOCK, bearing	1	-	TB8/2
EA1.30.408 BLOCK, bearing Attaching parts for EA1.30.407 and EA1.30.408 :-	1	-	TB8/3
EA1.30.379 Bolt, special 1/4" BSF	2	S65	TB8/4
A27EP Nut, 1/4" BSF	2	-	TB8/5
SP16E Washer	2	-	TB8/6

TAIL UNIT
TAILPLANE AND ELEVATORS

Part Number	Description						No. Off	Mati. Spec.	Plate No.
	1	2	3	4	5	6			
R EA1.30.279	BUSH, bearing	2	S1	TB8/7	
R EA1.30.409	CHANNEL	1	-	TB8/7A	
EA1.30.411	CHANNEL	1	-	TB8/7B	
EA1.30.277	PIN, attachment	1	S11	TB8/8	
SP90H7	PIN, split, 5/32" dia	1	-	TB8/8A	
EA1.30.5	EDGE, LEADING, TAILPLANE, PORT ASSEMBLY (Supplied to drg. EA9.00.23 for spares purposes) (Pre-Mod 5261)	1	-	TB7/15	
R EA3.30.433	EDGE, LEADING, TAILPLANE, PORT ASSEMBLY (Mod 5261)	1	-		
EA1.30.6	EDGE, LEADING, TAILPLANE, STARBOARD ASSEMBLY (Supplied to drg. EA9.00.24 for spares purposes) (Pre-Mod 5261)	1	-	TB7/18	
R EA3.30.434	EDGE, LEADING, TAILPLANE, STARBOARD ASSEMBLY (Mod 5261)	1	-		
EA1.30.7	EDGE, TRAILING, TAILPLANE, PORT, ASSEMBLY	1	-	TB8/9	
EA1.30.49	BRACKET, HINGE, ELEVATOR OUTBOARD, ASSEMBLY Spares for :-	1	-	TB8/10	
SKEFKO	BALLRACE	1	BSS292	TB8/11	
BAL½	HOUSING, ballrace	1	DTD683	TB8/12	
EA1.30.401	WASHER, packing, 20 SWG	1	L72	TB8/13	
EEAS4/20G	Attaching parts for EA1.30.49 :-				
A25/4C	Bolt, 2BA	2	-	TB8/14	
AS1242/5E	Bolt, ¼" BSF	4	-	TB8/15	
A27CP	Nut, 2BA	2	-	TB8/16	
A27EP	Nut, ¼" BSF	4	-	TB8/17	
EA1.30.257	Washer, packing	4	-	TB8/17A	
EA1.30.117	BRACKET, HINGE, ELEVATOR, CENTRE PORT, ASSEMBLY Spares for :-	1	-	TB8/18	
SKEFKO	BALLRACE	1	BSS292	TB8/19	
BAL½	HOUSING, ballrace	1	DTD683	TB8/20	
EA1.30.399	Attaching parts for EA1.30.117 :-				
EA1.30.121	Bolt, special	2	S11	TB8/21	
A27ES	Nut, ¼" BSF	2	-	TB8/22	
SP90C7	Pin, split, 1/16" dia	2	-	TB8/22A	
EA1.30.383	CUP, sealing, elevator lock recess	2	L40	TB8/23	

TAILPLANE AND ELEVATORS

Part Number	Description	No. Off	Mati. Spec.	Plate No.
EA1.30.8 EDGE, TRAILING, TAILPLANE STARBOARD ASSEMBLY	1	-	TB8/24
EA1.30.49 BRACKET, HINGE, ELEVATOR OUTBOARD, ASSEMBLY Spares for :- Consisting of :-	1	-	TB8/10
SKEFKO BALLRACE	1	BSS292	TB8/11
BAL½ HOUSING, ballrace	1	DTD683	TB8/12
EA1.30.401 WASHER, packing	1	L72	TB8/13
EEAS4/20G Attaching parts for EA1.30.49 :-			
A25/4C Bolt, 2BA	2	-	TB8/14
AS1242/5E Bolt, ¼" BSF	4	-	TB8/15
A27CP Nut, 2BA	2	-	TB8/16
A27EP Nut, ¼" BSF	4	-	TB8/17
EA1.30.257 Washer, packing	4	-	TB8/17A
EA1.30.117 BRACKET, HINGE, ELEVATOR CENTRE, STARBOARD, ASSEMBLY Consisting of :-	1	-	TB8/18
SKEFKO BALLRACE	1	BSS292	TB8/19
BAL½ HOUSING, ballrace	1	DTD683	TB8/20
EA1.30.399 Attaching parts for EA1.30.117 :-			
EA1.30.121 Bolt, special	2	S11	TB8/21
A27ES Nut, ¼" BSF	2	-	TB8/22
SP90C7 Pin, split, 1/16" dia	2	-	TB8/22A
EA1.30.315 BRACKET, operating tab Attaching parts for EA1.30.315 :-	1	-	TB9/1
EA1.30.313 Bolt, special	2	S11	TB9/2
A27ES Nut, ¼" BSF	2	-	TB9/3
SP90C7 Pin, split, 1/16" dia	2	-	TB9/3A
EA1.30.291 BRACKET, stop, elevator, lower Attaching parts for EA1.30.291 :-	1	-	TB9/4
AS1246/3C Bolt, 2BA	4	-	TB9/5
AGS2001C1/66 Nut, 2BA	4	-	TB9/6
SP16C Washer	4	-	TB9/7
EA1.30.293 BRACKET, stop, elevator, upper Attaching parts for EA1.30.293 :-	1	-	TB9/8
AS1246/3C Bolt, 2BA	4	-	TB9/9
AGS2001C1/66 Nut, 2BA	4	-	TB9/10
SP16C Washer	4	-	TB9/11
EA1.30.383 CUP, sealing elevator lock recess	2	L40	TB8/23
EA1.30.389 FAIRING, assembly, port	1	-	TB8/28
EA1.30.390 FAIRING, assembly, starboard Attaching parts for EA1.30.389 and EA1.30.390 :-	1	-	TB8/29
No12Cx½" Screw, self tapping, type Z4100	8	-	TB8/30
EA1.30.393 Washer, plate	8	-	TB8/31

TAIL UNIT
TAILPLANE AND ELEVATORS

Part Number	1 2 3 4 5 6	Description	No. Off	Matl. Spec.	Plate No.
EA1.31.307		HOUSING, BEARING, CENTRE, CONTROL PORT, ASSEMBLY (PRE-MOD 5100)	1	-	TB9/12
EK5.31.603		HOUSING, BEARING, CENTRE, CONTROL PORT, ASSEMBLY (ALT R60/13-MOD 5100) Spares for :-	1	-	
SKEFKO					
CBA5		BALLRACE	1	-	TB9/13
AGS2030/57		CIRCLIP, internal, 50 m/m	1	-	TB9/14
EA1.31.45		HOUSING, bearing (Pre-Alt. R60/13-Mod 5100)	1	-	TB9/15
EK5.31.605		HOUSING, bearing (Alt.R60/13-Mod 5100) Attaching parts for EA1.31.307 or EK5.31.603 :-	1	-	
A25/4G		Bolt, 5/16" BSF	3	-	TB9/16
A27GS		Nut, 5/16" BSF	3	-	TB9/17
SP90C7		Pin, split, 1/16" dia	3	-	TB9/17A
EA1.31.308		HOUSING, BEARING, CENTRE, CONTROL STARBOARD, ASSEMBLY (PRE-MOD 5100)	1	-	TB9/18
EK5.31.604		HOUSING, BEARING, CENTRE, CONTROL STARBOARD, ASSEMBLY (ALT R60/13-MOD 5100) Spares for :-	1	-	
SKEFKO					
CBA5		BALLRACE	1	-	TB9/13
AGS2030/57		CIRCLIP, internal, 50 m/m	1	-	TB9/14
EA1.31.46		HOUSING, bearing (Pre-Alt.R60/13-Mod 5100)	1	-	TB9/19
EK5.31.606		HOUSING, bearing (Alt.R60/13-Mod 5100) Attaching parts for EA1.31.308 or EK5.31.604 :-	1	-	
A25/4G		Bolt, 5/16" BSF	3	-	TB9/16
A27GS		Nut, 5/16" BSF	3	-	TB9/17
SP90C7		Pin, split, 1/16" dia	3	-	TB9/17A
AGS759G		NUT, 7/16" BSF	8	LA	TB7/32
AGS59H		NUT, 1/2" BSF	4	LA	TB7/33
AGS759J		NUT, 9/16" BSF	4	LA	TB7/34
EEAS65		PLATE, serial record	1	-	TB8/25
EA3.30.107		PLATE, tappet	1	DTD683	TB8/26
EA3.30.108		PLATE, tappet	1	DTD683	TB8/27
EA1.30.33		SPAR, MAIN TAILPLANE CENTRE SECTION, ASSEMBLY Spares for :-	1	-	TB7/20
EA3.30.145		BUSH, hinge	4	S99	TB7/21
EA1.30.263		FORK, bottom	2	S65	TB7/22
EA1.30.265		FORK, top	2	S65	TB7/23
EA1.30.267		SHIM	4	Alum	TB7/24
EEAS28/15JR		WASHER	8	L72	TB7/25
EEAS28/34JR		WASHER	4	L72	TB7/26
EEAS28/38JR		WASHER	4	L72	TB7/27
SP16N		WASHER	4	LA	TB7/28
SP16P		WASHER	4	LA	TB7/29
SP16Q		WASHER	4	LA	TB7/30
SP16S		WASHER	4	LA	TB7/31

TAIL UNIT
TAILPLANE AND ELEVATORS

Part Number	Description	No. Off	Mati. Spec.	Plate No.
R EB6.30.21	. TAPPET, MICRO SWITCH, TAILPLANE TRAVEL LIMIT, ASSEMBLY Spares for:—	1	—	TB9/18A
R EB6.30.25	. . . BODY, tappet	1	L40	TB9/19A
EA1.30.371	. . . COLLAR	1	L56	TB9/20
EB6.30.23	. . . PIN, tappet	1	L40	TB9/21
SP65E4	. . . PIN, taper	1	LA	TB9/22
EB6.30.27	. . . SPRING, compression	1	DTD215	TB9/23
A27JT	Attaching parts for EB6.30.21:— . Nut, $\frac{3}{8}$ " BSF	1	—	TB9/24
EB6.30.19	. TAPPET, MICRO SWITCH, TAILPLANE TRAVEL LIMIT, ASSEMBLY Spares for:—	2	—	TB9/25
EB6.30.25	. . . BODY, tappet	1	L40	TB9/26
EA1.30.371	. . . COLLAR	1	L56	TB9/27
EA3.30.271	. . . PIN, tappet	1	L64 or L65	TB9/28
EB6.30.27	. . . SPRING, compression	1	DTD215	TB9/29
A27JT	Attaching parts for EB6.30.19:— . Nut, $\frac{3}{8}$ " BSF	1	—	TB9/30
EA1.31.361	. WASHER, special	2	L72	TB9/31
SP15E	. WASHER	2	—	TB6/36
SP16E	. WASHER	1	—	TB6/37

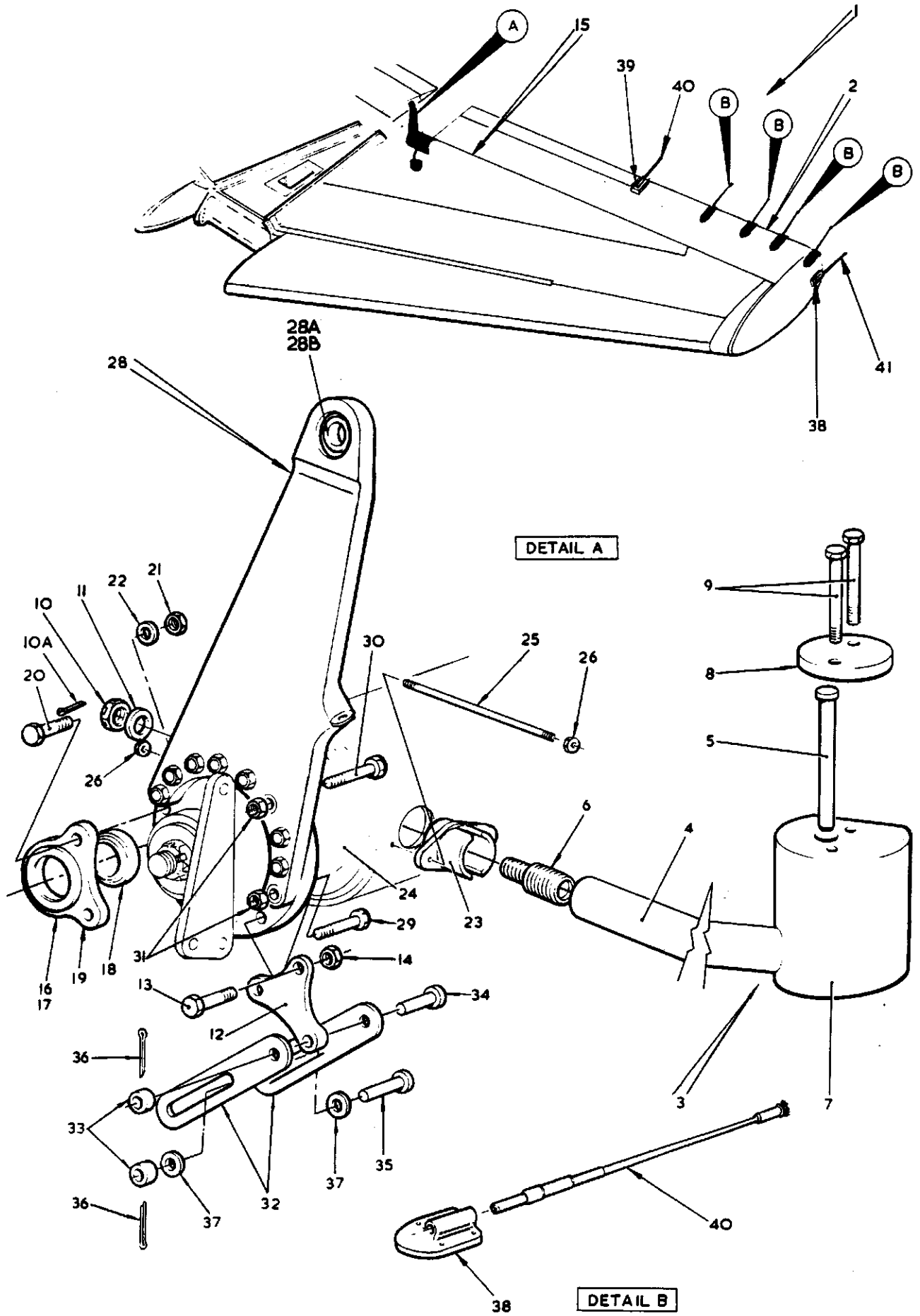


FIG.1 TAIL UNIT

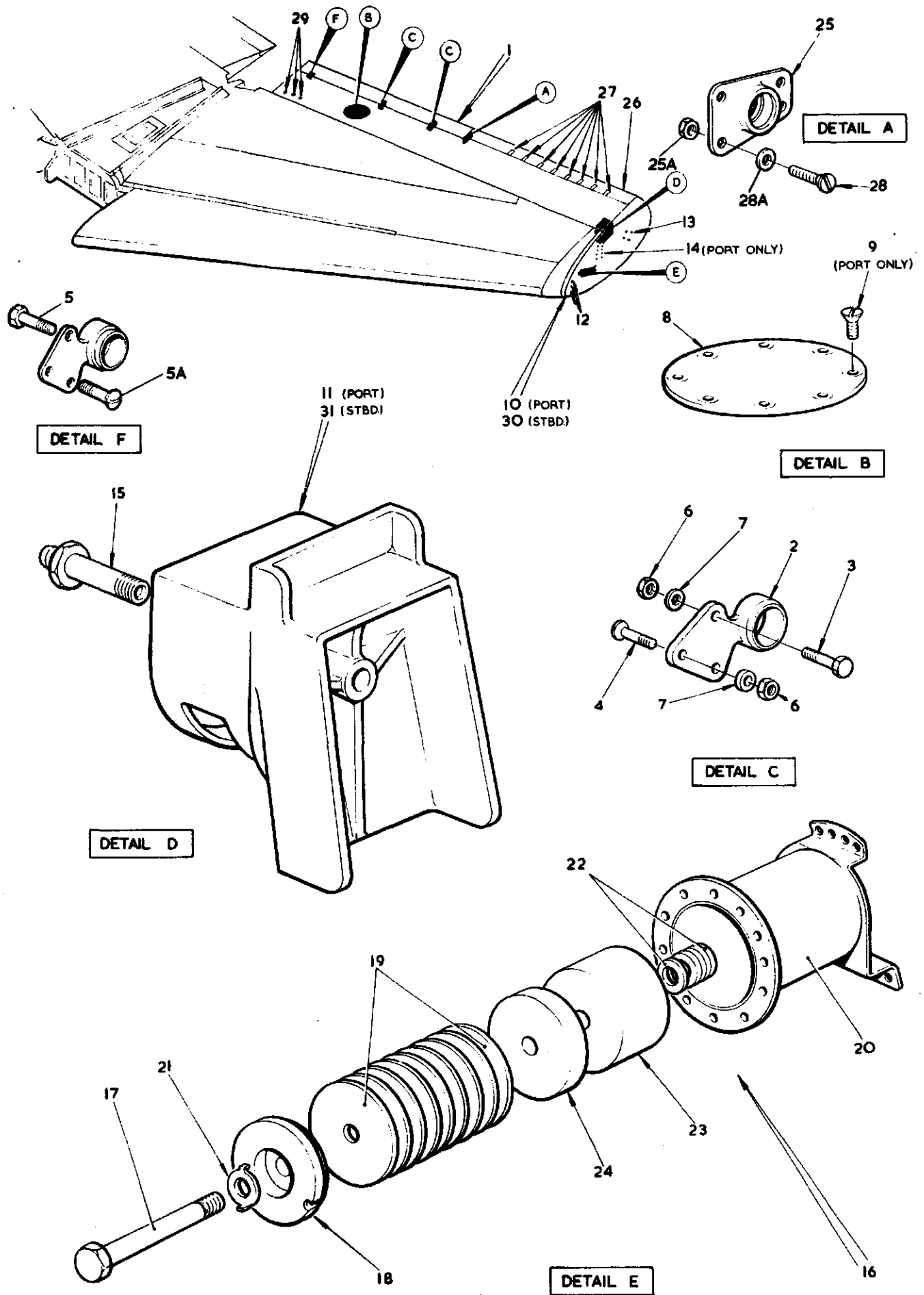


FIG 3 TAIL UNIT

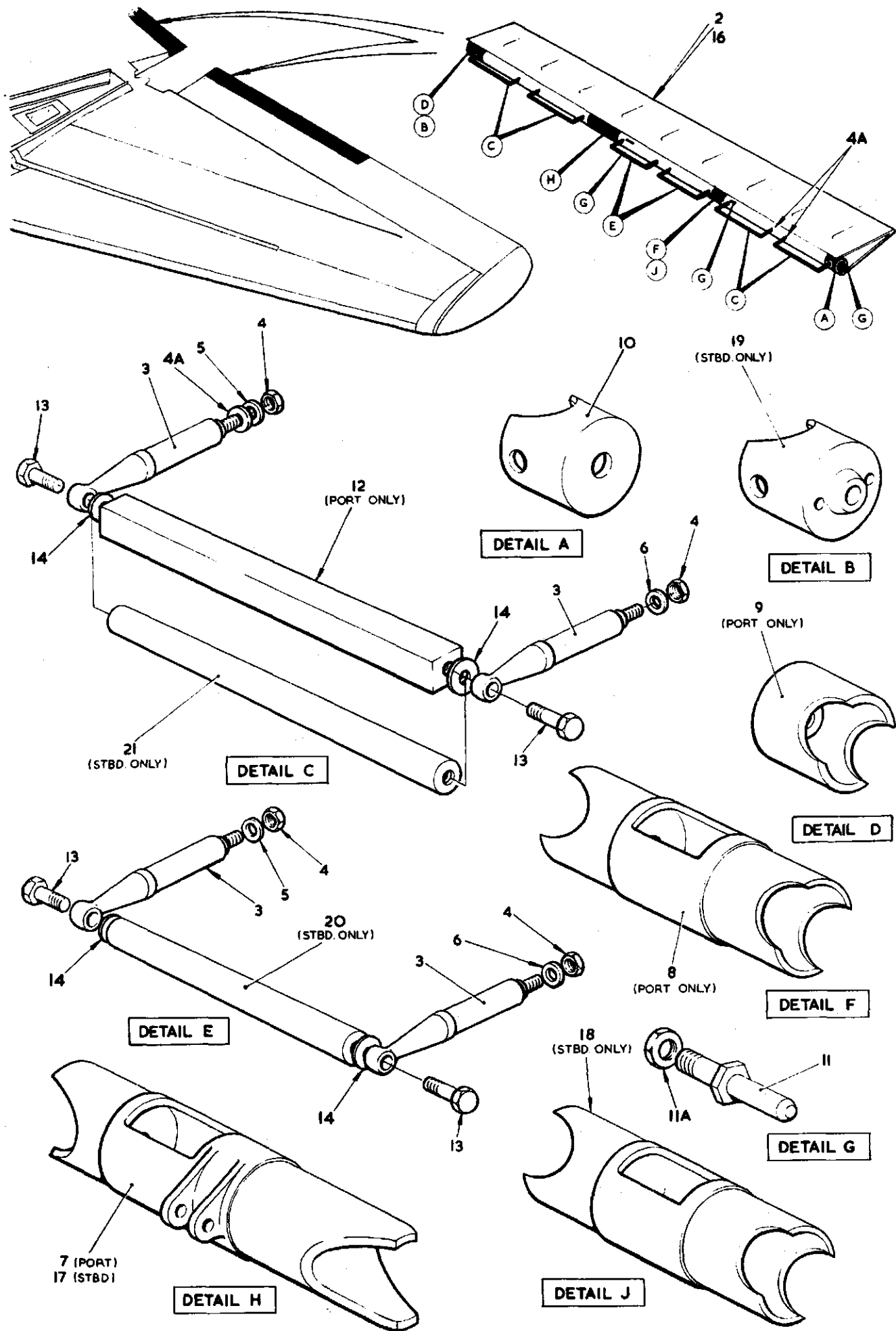


FIG. 4 TAIL UNIT

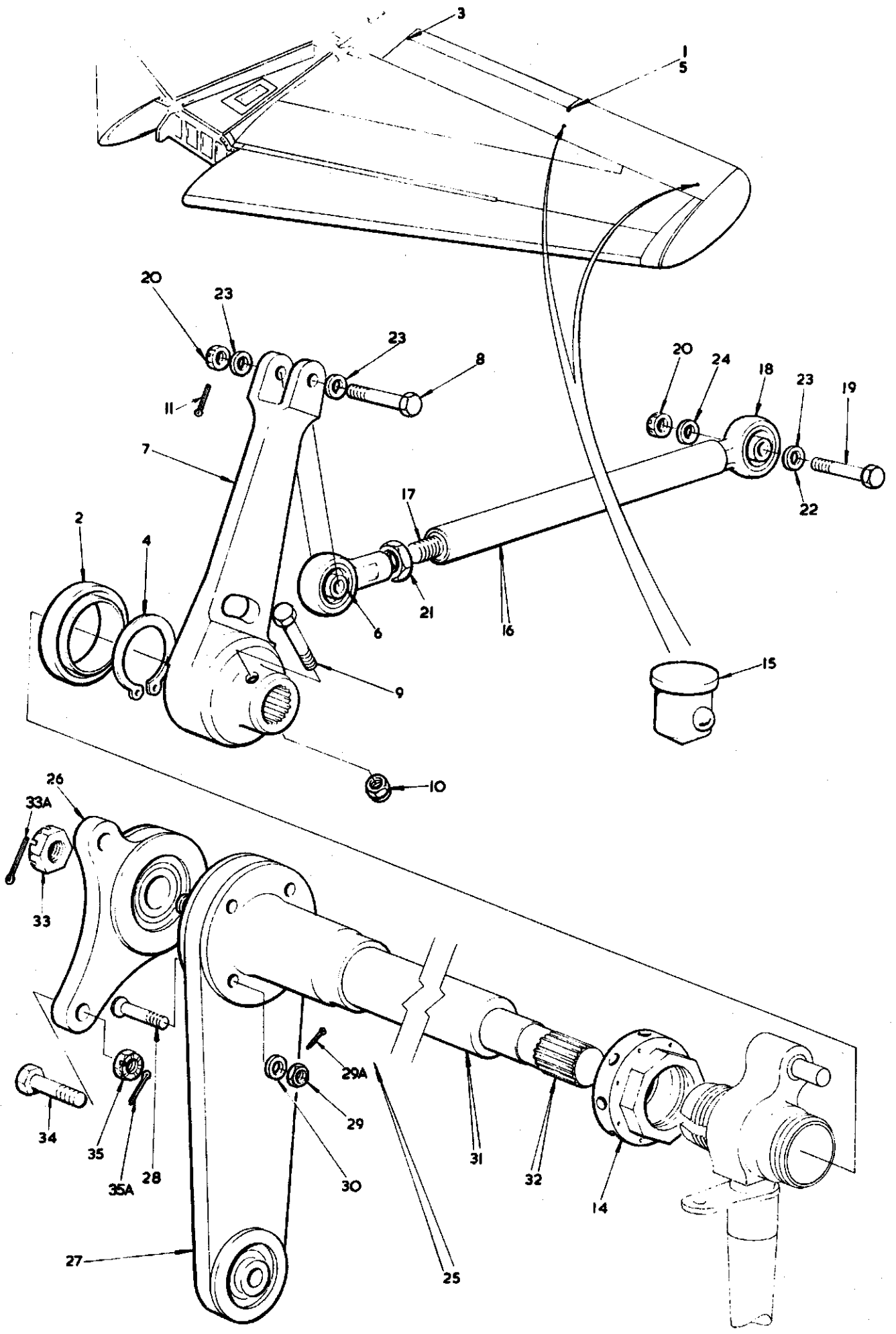


FIG.5 TAIL UNIT

CODE R5TZ

SECT TB

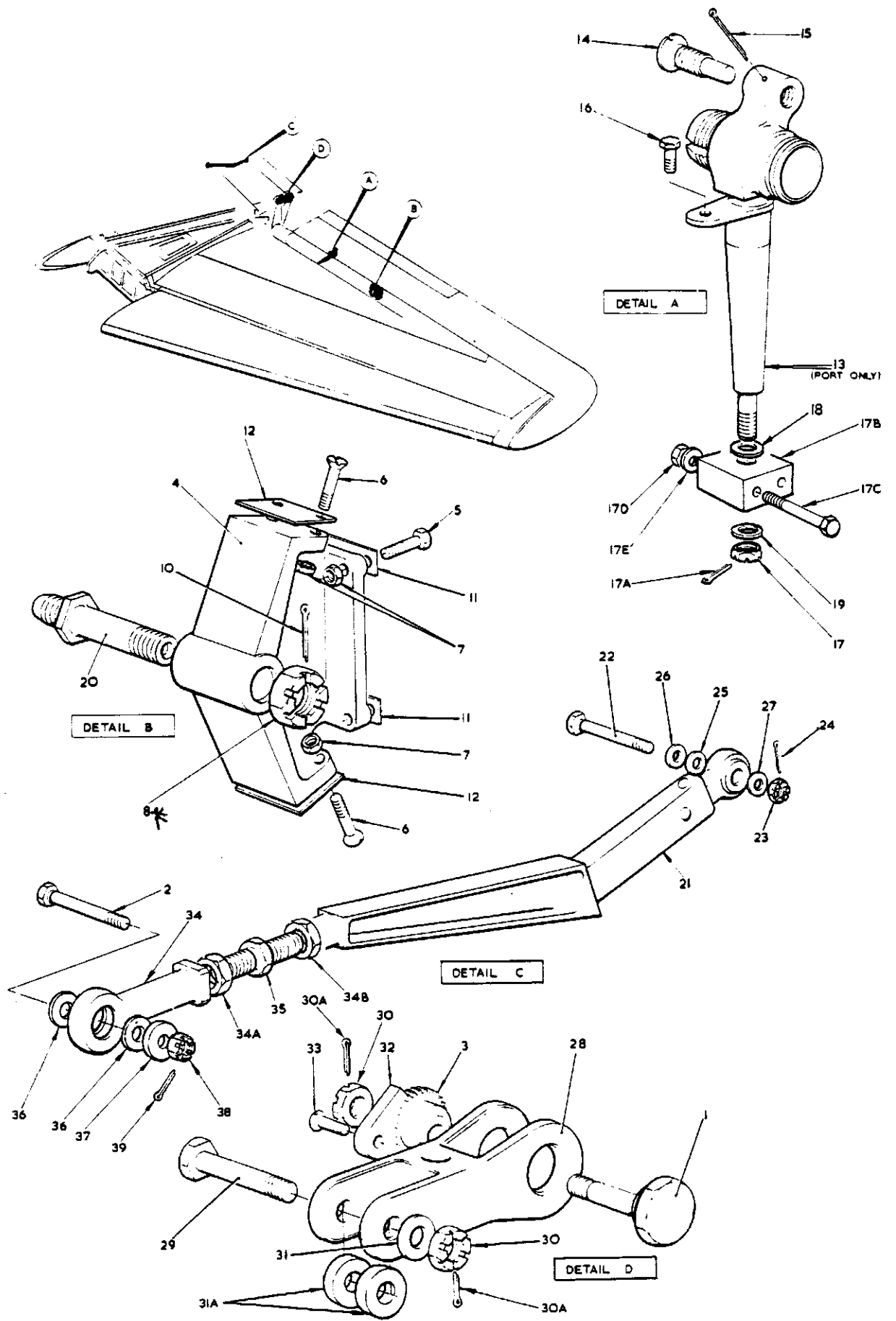


FIG 6 TAIL UNIT

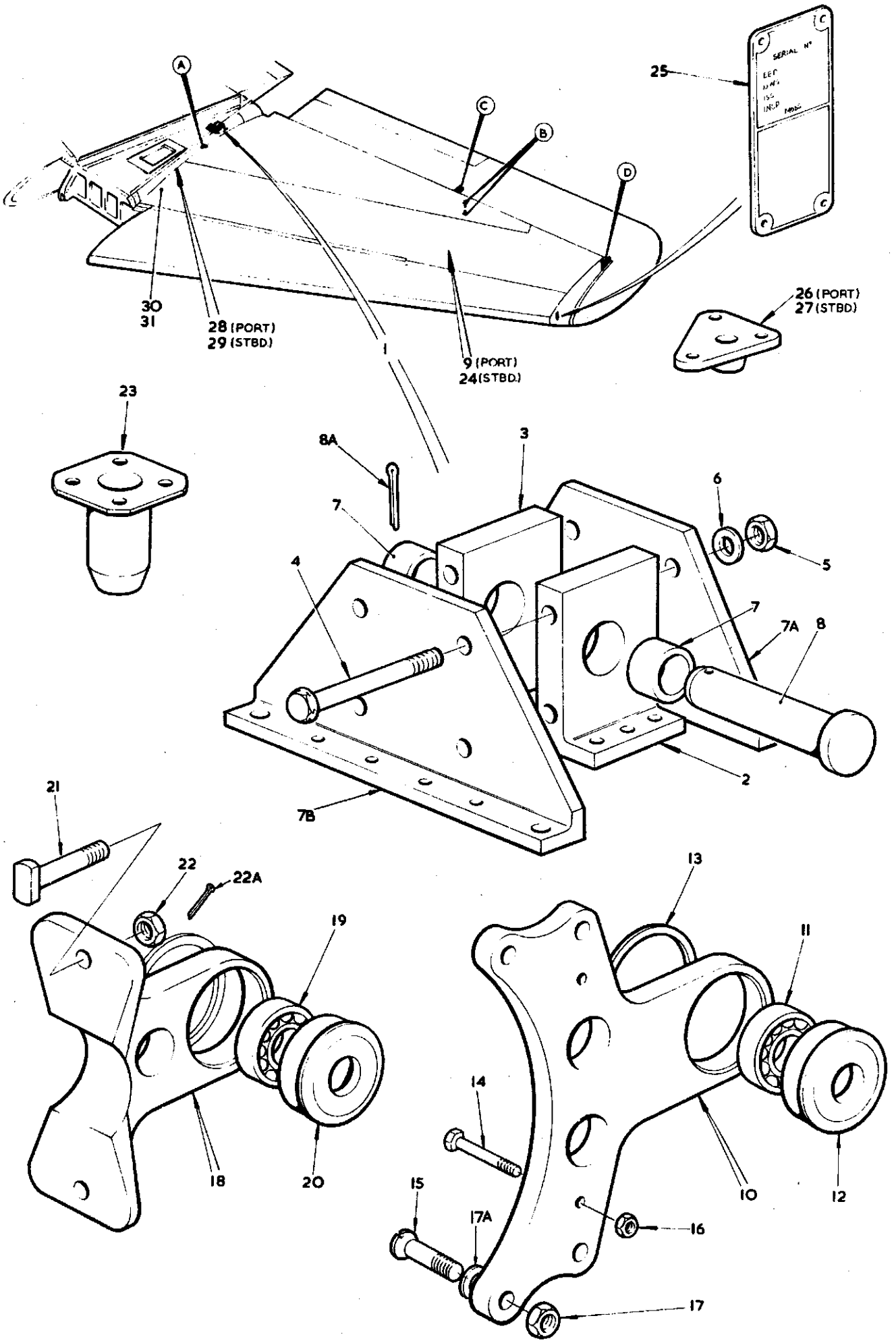


FIG 8 TAILPLANE AND ELEVATORS

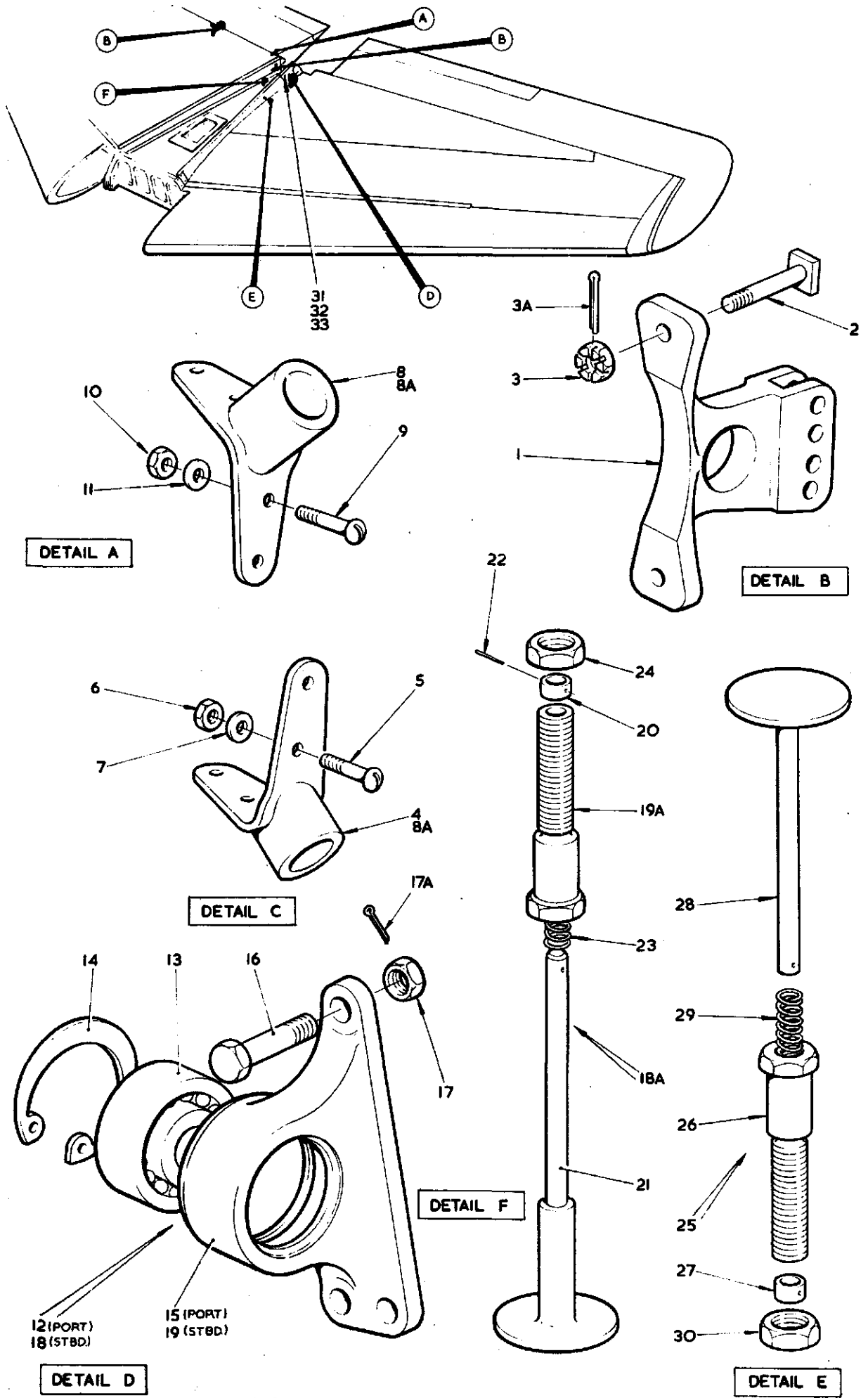


FIG 9 TAILPLANE AND ELEVATORS

This file was downloaded
from the RTFM Library.

Link: www.scottbouch.com/rtfm

Please see site for usage terms,
and more aircraft documents.

