

TANKS  
JETTISON WING FUEL TANK

Part Number	Description	No. Off	Matl. Spec.	Plate No.
EA3.00.505	TANK, 250 GALLON, JETTISONABLE, WING FUEL INSTALLATION, PORT (PRE-MOD 2395)	-	-	
EB6.00.347	TANK, 250 GALLON, JETTISONABLE, WING FUEL INSTALLATION, PORT (MOD 2395)	-	-	
EA3.00.506	TANK, 250 GALLON, JETTISONABLE, WING FUEL INSTALLATION, STARBOARD (PRE-MOD 2395)	-	-	
R EB6.00.348	TANK, 250 GALLON, JETTISONABLE, WING FUEL INSTALLATION, STARBOARD (MOD 2395)	-	-	
EA1.00.81	. ATTACHMENT DETAILS, DROP TANK TO WING, PORT	-	-	
EA1.00.82	. ATTACHMENT DETAILS, DROP TANK TO WING, STARBOARD	-	-	
EA1.20.2031	Consisting of :-			
EA1.81.317	. . . BOLT, explosive	3	DTD683	UA1/1
	. . . DETONATOR, FORWARD, EXPLOSIVE, BOLT ASSEMBLY	1	-	UA1/10
	Consisting of :-			
EA3.81.353	. . . . DETONATOR	1	-	UA1/2
EA1.81.939	. . . . PLUG, detonator	1	-	UA1/3
R H15	. . . . SLEEVE, 1/2" long	2	-	UA1/4
R H50	. . . . SLEEVE, 1/2" long	1	-	UA1/5
EA1.81.938	. . . . SPRING	1	-	UA1/6
703-2-00315-020	. . . . TAG, quick release	2	-	UA1/7
703-2-00339-021	. . . . THIMBLE	2	-	UA1/8
EA1.81.428	. . . . TUBE, detonator	1	-	UA1/9
R BS2848/3/85T	. . . . TUBE, rubber	QR	-	UA1/9A
EA1.81.318	. . . DETONATOR, REAR, OUTBOARD, EXPLOSIVE BOLT, ASSEMBLY	1	-	UA1/11
	Consisting of :-			
EA3.81.353	. . . . DETONATOR	1	-	UA1/2
EA1.81.939	. . . . PLUG, detonator	1	-	UA1/3
R H15	. . . . SLEEVE, 1/2" long	2	-	UA1/4
R H50	. . . . SLEEVE, 1/2" long	1	-	UA1/5
EA1.81.938	. . . . SPRING	1	-	UA1/6
R 703-2-00315-020	. . . . TAG, quick release	2	-	UA1/7
R 703-2-00339-020	. . . . THIMBLE	2	-	UA1/8
EA1.81.428	. . . . TUBE, detonator	1	-	UA1/9
R BS2848/3/85T	. . . . TUBE, rubber	QR	-	UA1/9A
EA1.81.599	. . . DETONATOR, REAR, INBOARD, EXPLOSIVE BOLT, ASSEMBLY	1	-	UA1/12
	Consisting of :-			
EA3.81.353	. . . . DETONATOR	1	-	UA1/2
EA1.81.939	. . . . PLUG, detonator	1	-	UA1/3
R H15	. . . . SLEEVE, 1" x 1/2"	2	-	UA1/4
R H50	. . . . SLEEVE, 3" x 1/2"	1	-	UA1/5
EA1.81.938	. . . . SPRING	1	-	UA1/6
R 703-2-00315-020	. . . . TAG, quick release	2	-	UA1/7
R 703-2-00339-020	. . . . THIMBLE	2	-	UA1/8
EA1.81.428	. . . . TUBE, detonator	1	-	UA1/9
R BS2848/3/85T	. . . . TUBE, rubber	QR	-	UA1/9A
AGS2002Q1	. . . . NUT, stiff, 5/8" BSF	3	-	UA1/9B
EA1.57.1239	. . . . PIPE, air break, c/w stop	1	-	UA1/13
EA1.57.1241	. . . . PIPE, fuel break, c/w stop	1	-	UA1/14
EA1.20.10505	. . . . WASHER, special, explosive bolt	3	DTD124	UA1/15
EA1.20.8833	. . . . WASHER, special, explosive bolt	3	DTD683	UA1/16

TANKS  
JETTISON WING FUEL TANK

Part Number	Description	No. Off	Mati. Spec.	Plate No.					
				1	2	3	4	5	6
EA3.62.175 EA3.62.217 or BRISTOL A/C 75-04-0001 EA3.62.176	. TANK, DROP, PORT ASSEMBLY (PRE-MOD 2395) . TANK, DROP, PORT ASSEMBLY (MOD 2395)	1 1	- -						UA1/17
EA3.62.218 or BRISTOL A/C 75-04-0002	. TANK, DROP, STARBOARD, ASSEMBLY (PRE-MOD 2395) . TANK, DROP, STARBOARD, ASSEMBLY	1 1	- -						UA1/18
EA3.62.113 A33B16	Spares for :- . . BLOCK, contact, navigation light Attaching parts for EA3.62.113 :- . . Screw, csk. head, 4BA	1 2	- -						UA1/19 UA1/19A
EA3.62.151 AS1242/1C EA2.62.57 EA2.62.71	. . BODY, adaptor for filler cap Attaching parts for EA3.62.151 :- . . Bolt, csk. head 2BA . . Ring, nut . . Washer, sealing	1 18 1 1	- - - -						UA1/20 UA1/20A UA1/20B UA1/20C
EA3.62.191	. . CAP, FILLER, C/W INBOARD VENT VALVE, ASSEMBLY Spares for :-	1	-						UA1/21
R EA3.62.219 EA2.62.143 EA3.62.197	. . . RING, locking (Mod 5239) . . . WASHER, sealing, filler cap assembly . . . WASHER, sealing, vent valve head	1 1 1	- - Hycatrol 257						UA1/21A UA1/22 UA1/22A
5L9952431 5CX4330018 5CX1043420	. . FILAMENT, lamp . . LAMP, navigation, type B, port . . LAMP, navigation, type B, starboard Attaching parts for Ref. 5CX/4330018 and 5CX/1043420 :-	1 1 1	- - -						UA1/36 UA1/37 UA1/37A
AGS2002A1	. . Nut, stiff, 6BA	4	-						UA1/38
EA3.62.77 AS1248/1C EA2.62.57 EA2.62.71	. . PANEL, access, top skin Attaching parts for EA3.62.77 :- . . Bolt, mush. head 2BA . . Ring, nut . . Washer, sealing	1 18 1 1	- - - -						UA1/39 UA1/40 UA1/41 UA1/42
EA2.62.73 EA2.62.74	. . PIPE AND MOUNTING, FUEL, PORT, ASSEMBLY . . PIPE AND MOUNTING, FUEL, STARBOARD ASSEMBLY Spares for :-	- -	- -						UA1/23 UA1/24
EA2.62.227 EA2.62.229 SP91C SP91J EEAS77/84	. . . CLIP, bottom, air pipe . . . CLIP, bottom, fuel pipe . . . CLIP, top, air pipe . . . CLIP, top, fuel pipe . . . HOSE, connection, for fuel break pipe, 1 1/2" i/d x 1 5/8" o/d x 3" long	1 1 1 1 1	- - - - DTD625						UA1/25 UA1/26 UA1/25A UA1/26A UA1/27
EEAS77/32	. . . HOSE, connection, for fuel break pipe, 1/2" i/d x 3/4" o/d x 2 3/4" long	1	DTD625						UA1/28
AS4566/1B EA3.62.189	. . SCREW, 4BA mush head . . SOCKET, EARTHING, ASSEMBLY Consisting of :-	50 1	- -						UA1/47 UA1/29
EA3.62.181 EA3.62.177 EA3.62.183	. . . CAP, sealing . . . SOCKET, earth plug . . . SPRING Attaching parts for EA3.62.189 :-	1 1 1	DTD683 DTD683 DTD215						UA1/30 UA1/31 UA1/32
No. 4 x 3/8" EA3.62.185	. . Screw, self tapping, type Z . . Washer, sealing	6 1	- Nec-K-Tax						UA1/33A UA1/33

TANKS

JETTISON WING FUEL TANK

Ref. No.	Part No.	Description 1 2 3 4 5 6	No. off	Matl. Spec.	Cl. of Equip M.R. L.M.	Plate No.
5511	EA3.62.115	. . . STRIP, sealing on tank flange, 72" long	1	—	LM	UA1/34
	EA1.20.10897	. . . VALVE, DRAIN, ASSEMBLY Spares for:—	1	—	B	UA1/35
	EA1.20.10901	. . . PLUG, DRAIN, ASSEMBLY Spares for:—	1	—	—	UA1/43
5512 12335 12904 3458	EA1.20.10903	. . . . PLUG, housing	1	L40	—	UA1/44
	EA1.20.10907	. . . . PLUG	1	L40	C	UA1/45
	EA1.20.10905	. . . . RING, Hycatrol	1	Grade HE/4	C	UA1/46
	EA3.62.117	. . . WASHER, special	50	Petrolite	C	UA1/48
	EA1.20.2903	. . . WASHER, sealing	2	Neo-K-Tex	C	UA1/49

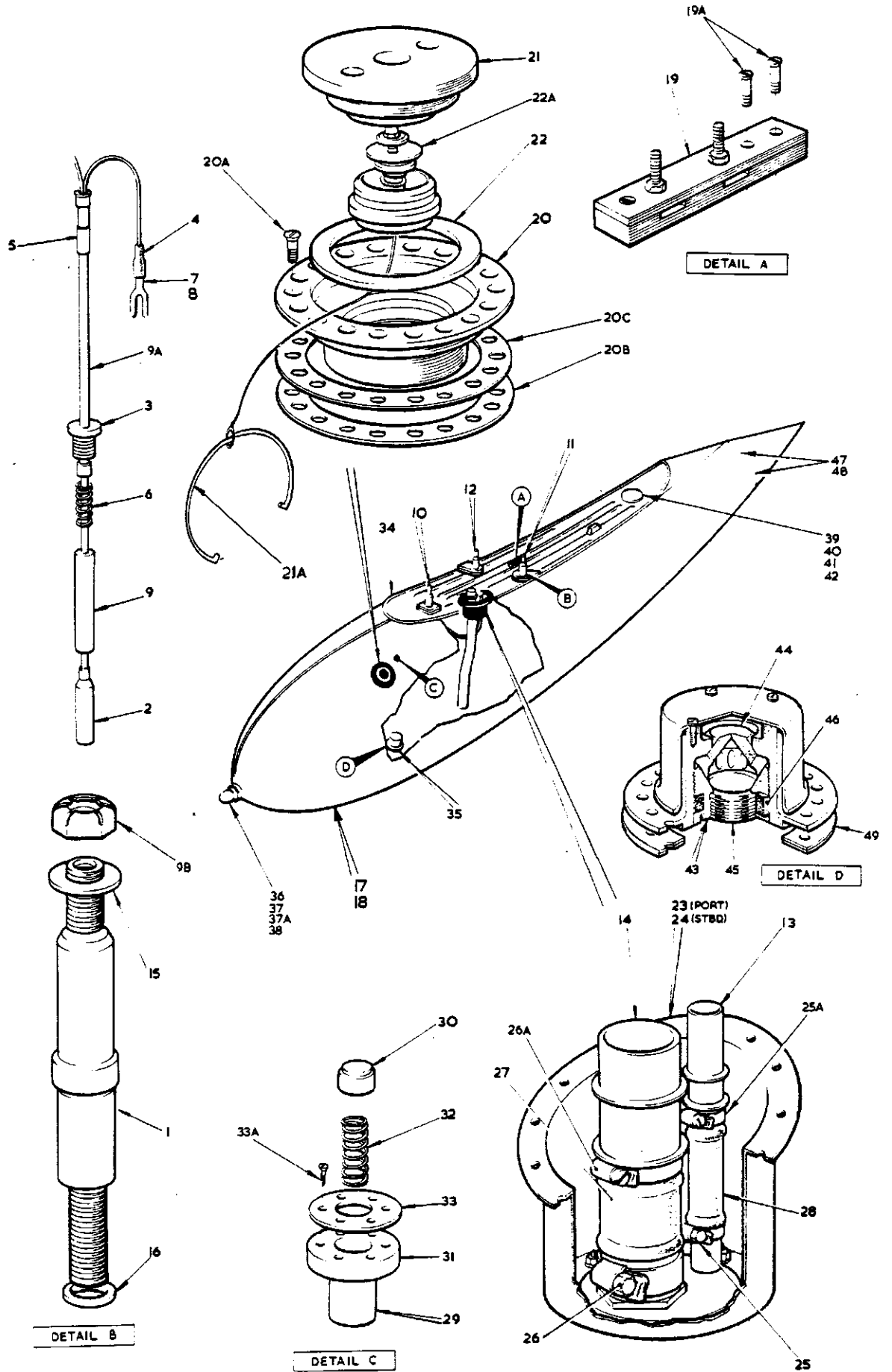


FIG. 1 JETTISONABLE WING FUEL TANK

This file was downloaded  
from the RTFM Library.

Link: [www.scottbouch.com/rtfm](http://www.scottbouch.com/rtfm)

Please see site for usage terms,  
and more aircraft documents.



**TELEBRIEF  
CONNECTIONS**

**E**