

TANKS  
VENTRAL TANK

Part Number	Description	No. Off						Matl. Spec.	Plate No.
		1	2	3	4	5	6		
EA3.56.453	TANK, VENTRAL, FUEL, CENTRE FUSELAGE, AFT POSITION INSTALLATION (MOD 432-S.O.O.) Spares for:-								
EA3.56.221	. TANK, FUEL, 300 GALLON, INSTALLATION Spares for:-								UB1/1
EA3.56.261	. . BRACKET AND STRAP, ASSEMBLY Spares for:-								UB1/2
EA3.56.361	. . . BRACKET, sub-assembly								UB1/3
EA3.56.363	. . . STRAP, tank Attaching parts for EA3.56.361 & EA3.56.363:-								UB1/4
A25/47N	. . . Bolt, 1/2" BSF (Make from A25/48N)								UB1/5
EA3.56.465	. . . Bush								UB1/6
EA3.56.467	. . . Link-plate								UB1/7
A27NS	. . . Nut, slotted, 1/2" BSF								UB1/8
EA3.56.463	. . . Tube, distance								UB1/9
SP13N	. . . Washer								UB1/10
	Attaching parts for EA3.56.261:-								
A25/38 1/2 J	. . Bolt, 7/8" BSF (Make from A25/39J)								UB1/11
A25/38 1/2 L	. . Bolt, 1/16" BSF (Make from A25/39L)								UB1/12
A27JS	. . Nut, slotted, 7/8" BSF								UB1/13
A27LS	. . Nut, slotted, 1/16" BSF								UB1/14
SP90C7	. . Pin, split								UB1/15A
SP90E8	. . Pin, split								UB1/16A
SP13J	. . Washer								UB1/15
SP13L	. . Washer								UB1/16
AGS1661/E or AS4525/16 AGS605/1 EEAS164/16/25	. . CLIP, bonding								UB2/26
	. . CLIP, hose								UB2/1A
	. . HOSE, rubber, 1" i/d x 2.5" long, vent pipe							DTD625	UB2/1
	. . MESH, brass gauge, 40 x 30 SWG, cadmium plated								UB2/27
EA3.56.245	. . PIPE, assembly, fuel, from non-return to fuel cock, starboard side							L54 or L56	UB2/2
EA3.56.247	. . PIPE, assembly, fuel, from non-return valve to fuel cock, port side							L54 or L56	UB2/3
EA3.56.249	. . PIPE, assembly, venting, from pipe elbow joint to No. 3 fuel tank junction pipe							L56	UB2/4
EA3.56.251	. . PIPE, elbow, venting, 1" o/d x 20 SWG							L56	UB2/5
EEAS66/3	. . RING, clamping							L56	UB2/6
EA3.56.45	. . SCREW, trunnion							S95	UB1/17
	. . STRIP, bonding, 1/4" wide x 22 SWG							Copper	UB2/28
EA3.56.243	. . TANK, ASSEMBLY Spares for:-								UB2/7
EA3.81.2689/2	. . . CABLE, ASSEMBLY, CS.3 from aft fuel pump to suppressor								UB2/8
EA3.81.2691/2	. . . CABLE, ASSEMBLY, CS.4, from forward fuel pump to suppressor								UB2/9
EA3.81.2527/2	. . . CABLE ASSEMBLY, CS.2A, from suppressor to plug bracket								UB2/10

TANKS  
VENTRAL TANK

Part Number	Description	No. Off	Matl. Spec.	Plate No.
AS2398	. . . CAP, filler assembly Attaching parts for AS2398:—	1	—	UB1/18
AGS2001/C/1/66	. . . Nut, stiff, 2 BA	12	—	UB1/19
EA3.56.291	. . . Ring, sealing	1	—	UB1/20
SP15/C	. . . Washer, 2 BA	12	—	UB1/21
EA3.56.119	. . . CARTRIDGE, moisture absorber	1	—	UB1/22
EA3.56.107	. . . CLIP, fuel pipe Attaching parts for EA3.56.107:—	2	L72	UB2/11
A25/2C	. . . Bolt, 2 BA	2	—	UB2/12
SP13C	. . . Washer, 2 BA	2	—	UB2/13
AGS1104/B	. . . CONE, adaptor, for drain pipes	2	—	UB2/14
EA3.56.171	. . . CONTAINER, cartridge Attaching parts for EA3.56.171:—	1	L59	UB1/23
A25/3C	. . . Bolt, 2 BA	10	—	UB1/24
EA3.56.117	. . . Ring, sealing	2	Neo-K-Tex	UB1/25
DOWTY SP815/2	. . . Seal	10	—	UB1/26
EA3.56.81	. . . COVER, access, tank end Attaching parts for EA3.56.81:—	2	L72	UB1/27
AGS2001/C/1/66	. . . Nut, stiff, 2 BA	14	—	UB1/28
EA3.56.83	. . . Ring, sealing	2	Neo-K-Tex	UB1/29
SP15C	. . . Washer, 2 BA	14	—	UB1/30
AGS1142J	. . . NIPPLE, adaptor	2	—	UB2/15
EA3.56.283	. . . PIPE, assembly, from port non-return valve to aft fuel pump	1	L56	UB2/16
EA3.56.285	. . . PIPE, assembly, from starboard non-return valve to forward fuel pump	1	L56	UB2/17
EA3.56.433 SELF PRIMING ENG. SPE1003Mk.4	. . . PIPE, drain	2	L56	UB2/18
	. . . PUMP, fuel Attaching parts for SPE1003Mk.4:—	2	—	UB2/19
AGS2001/C/1/66	. . . Nut, stiff, 2 BA	14	—	UB2/20
EA3.56.83	. . . Ring, sealing	1	Neo-K-Tex	UB2/21
SP15C	. . . Washer	14	—	UB2/22
EA3.56.477	. . . SUMP, tank, assembly Attaching parts for EA3.56.477:—	1	—	UB1/31
A25/4C DOWTY SP815/2	. . . Bolt, 2 BA	34	—	UB1/32
EA3.56.479	. . . Seal	34	—	UB1/33
SP15C	. . . Seal, tank, sump	1	Neo-K-Tex	UB1/34
	. . . Washer	34	—	UB1/35

## TANKS

## VENTRAL TANK

Part Number	1 2 3 4 5 6	Description	No. Off	Matl. Spec.	Plate No.
TYPE 'O' No.2		. . . SUPPRESSOR, type O, No. 2	2	—	UB2/23
A39B20		Attaching parts for Type 'O' No 2:— . . . Screw, 4BA	4	—	UB2/24
AGS1105J		. . . UNION	2	—	UB2/19B
AS2573		. . . VALVE, drain, assembly Attaching parts for AS2573:—	1	—	UB1/36
AGS2001/C/1/66		. . . Nut, stiff, 2BA	8	—	UB1/37
SP15C		. . . Washer	8	—	UB1/38
AS410		. . . Washer, sealing	1	Neo-K-Tex	UB1/39
K.A.C. LTD.					
C3191		. . . VALVE, drain, water sediment	1	—	UB1/40
AGS568J		. . . WASHER, jointing	2	—	UB2/19A
EA3.56.47		. . TRUNNION, strap, R.H.	2	S95	UB1/41
EA3.56.49		. . TRUNNION, strap, L.H.	2	S95	UB1/42
SELF PRIMING ENG. SPE1706		. . VALVE, non-return, type P24A, Mk. 2	2	—	UB2/25

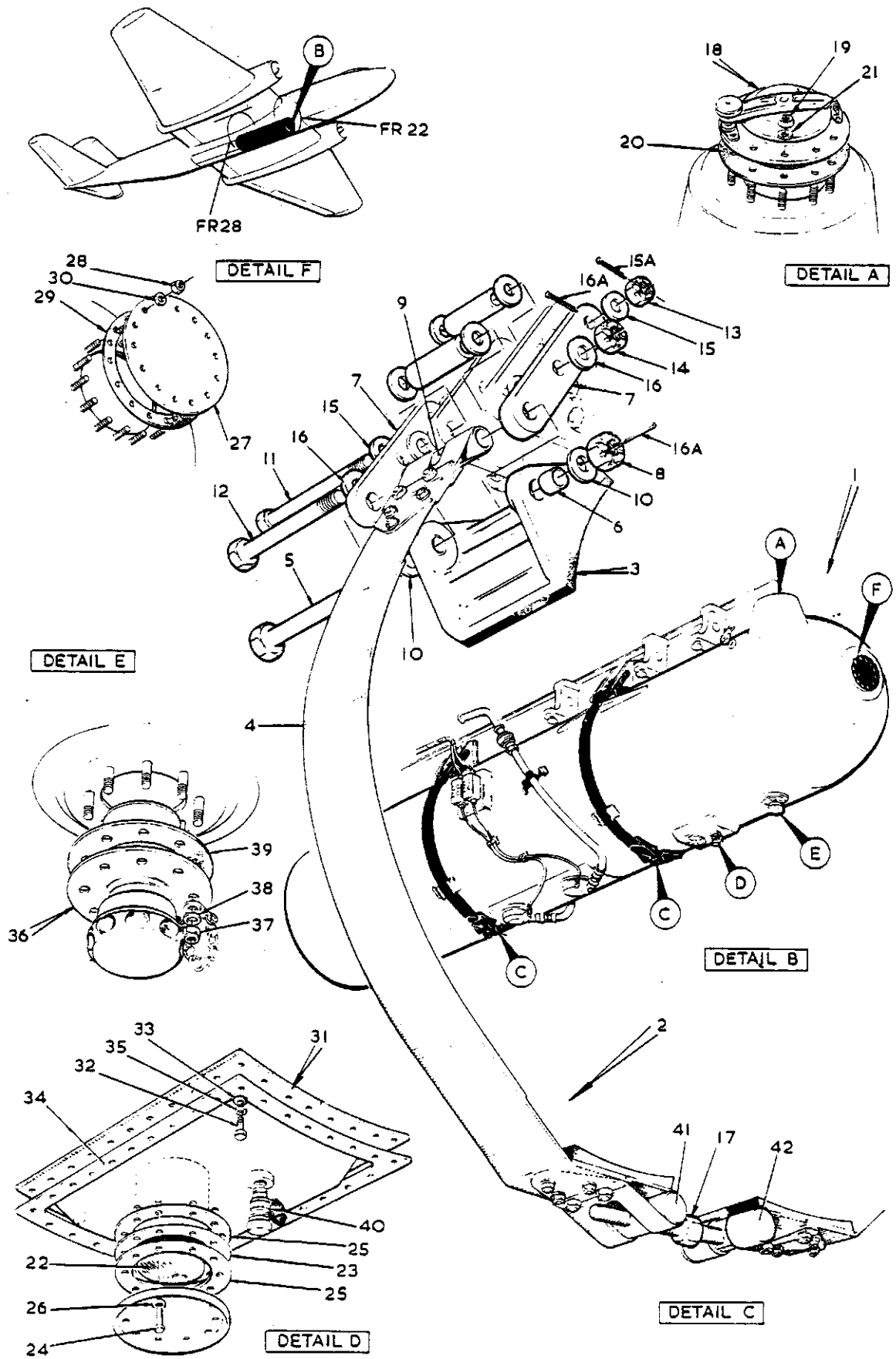


FIG 1 VENTRAL TANK TO FUSELAGE

CODE Z

SECT UB

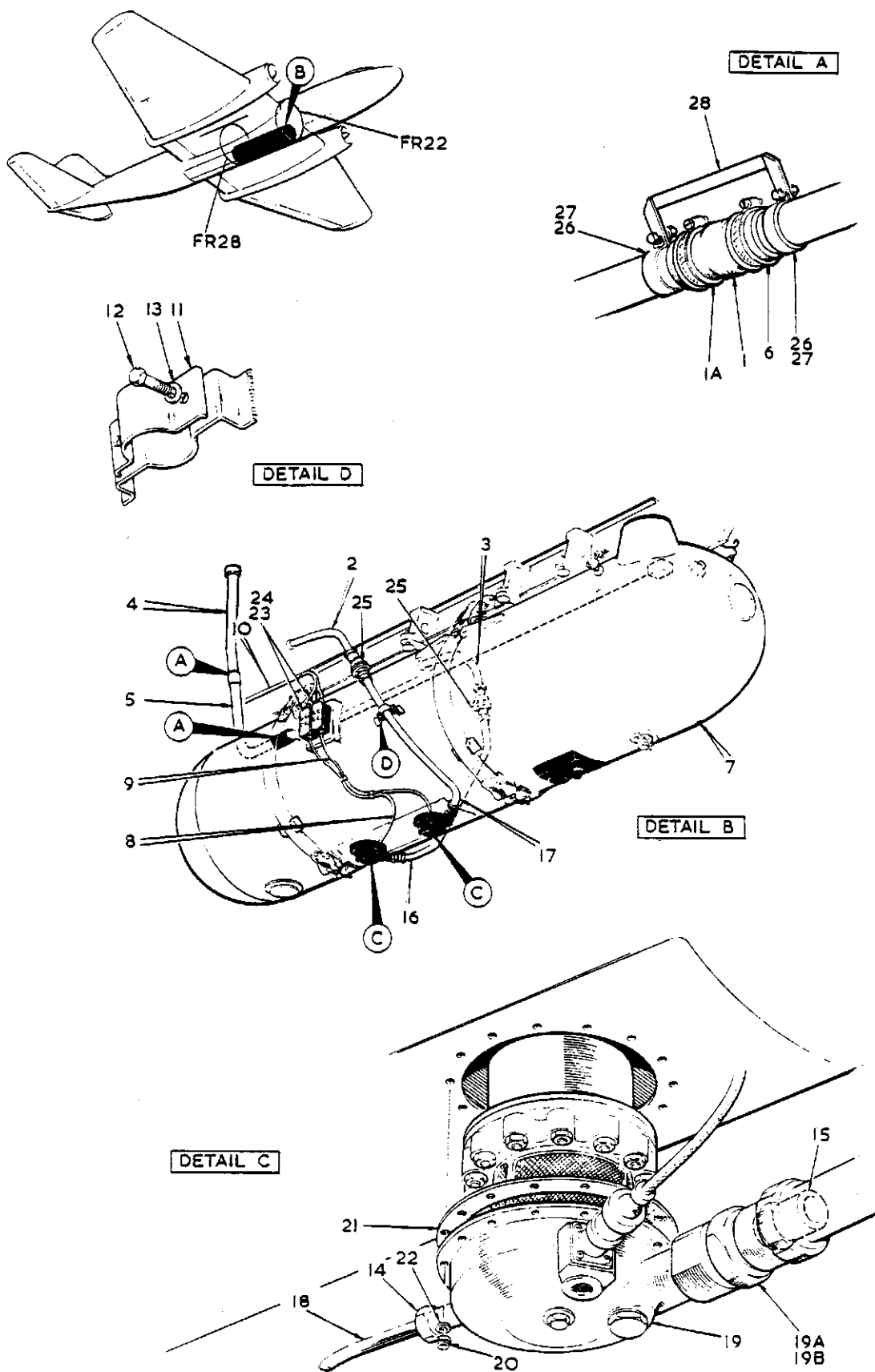


FIG 2 VENTRAL TANK TO FUSELAGE

This file was downloaded  
from the RTFM Library.

Link: [www.scottbouch.com/rtfm](http://www.scottbouch.com/rtfm)

Please see site for usage terms,  
and more aircraft documents.

