

## INTEGRAL FUEL TANKS

Ref. No.	Part No.	Description	No. off	Mater. Spec.	Cl. of Equip M.R. L.M.	Plate No.
12099	EB7.00.109	TANK, INTEGRAL, PORT, ASSEMBLY (SPARES CONDITION) (Ref. Drg. EA1.20.3505) (For Non-Interchangeable A/C)	1	—	A/MR	
12100	EB7.00.110	TANK, INTEGRAL, STARBOARD, ASSEMBLY (SPARES CONDITION) (Ref. Drg. EA1.20.3606) (For Non-Interchangeable A/C)	1	—	A/MR	
17748	EB7.00.111	TANK, INTEGRAL, PORT, ASSEMBLY (SPARES CONDITION) (Ref. Drg. EA1.20.3505) (For Interchangeable A/C)	1	—	—	
17749	EB7.00.112	TANK, INTEGRAL, STARBOARD, ASSEMBLY (SPARES CONDITION) (Ref. Drg. EA1.20.3506) (For Interchangeable A/C)	1	—	—	
21016	EA1.20.5067	. BLOCK, rubber, inboard	1	—	C	UC1/1
21017	EA1.20.5068	. BLOCK, rubber, inboard	1	OTD560	C	UC1/2
21018	EA1.20.5069	. BLOCK, rubber, outboard	1	Shore 50-61	C	UC1/3
21019	EA1.20.5070	. BLOCK, rubber, outboard	1	—	C	UC1/4
1439044	EA1.20.5003	. BLOCK, sealing rubber (Pre—Mod 1463)	6	—	C	UC1/5
21020	EB6.20.751 or EB6.20.769	. BLOCK, rubber, sealing (Mod 1463)	6	—	C	
3523	EEAS134/1½C SMITHS INSTRUMENTS JKB1	. BLOCK, rubber, sealing . BOLT, special sealing, 2BA	6 525	— S91	C C	UC1/6 UC1/7
6A/3020		. BOX, terminal Attaching parts for JKB1:—	2	—	B	UC1/8
28D/1200119	A25/4C	. Bolt, 2BA	8	—	C	UC1/9
28F/9429636	AGS1186/3	. Seal, bonded	8	—	C	UC1/10
28E/8211233	SP144/028	. CLIP, hose connection, securing	10	—	C	UC1/11
2163	EEAS112/15	. CLIP, pipe securing	3	—	C	UC1/12
12333	EA1.20.5201	. CLIP, pipe securing (Pre—Mod 3432)	1	L72	C	UC1/13
28E/1009753	AS3180/3C	. CLIP, cable securing, port only Attaching parts for EEAS112/15, EA1.20.5201 and AS3180/3C:—	1	—	C	UC1/14
28D/9446920	A25/1C	. Bolt, 2BA	QR	—	C	UC1/15
28D/1200119	A25/4C	. Bolt, 2BA	QR	—	C	UC1/16
28D/7002428	A25/6C	. Bolt, 2BA	QR	—	C	UC1/17
28M/1278190	AGS2001C1/66	. Nut, stiff, 2BA	QR	—	C	UC1/18
28M/9433473	AGS2002C1	. Nut, stiff, 2BA	QR	—	C	UC1/19
28F/9429636	AGS1186/3	. Seal, bonded	QR	—	C	UC1/20
18856	EEAS27/56JR	. Washer, sealing	QR	—	C	UC1/21

TANKS  
INTEGRAL FUEL TANKS

Ref. No.	Part No.	Description	No. off	Matl. Spec.	Cl. of	Plate
					Equip M.R. L.M.	
		1 2 3 4 5 6				
18638	EA1.57.353	. ELBOW, special nitrogen connection (Pre—Mod 3432)	1	DTD133C	C	UC1/22
18637	EA1.57.354	. ELBOW, special nitrogen connection (Pre—Mod 3432)	1	DTD133C	C	UC1/23
		Attaching parts for EA1.57.353 & EA1.57.354:—				
28D/1200119	A25/4C	. Bolt, 2BA	7	—	C	UC1/24
28D/1011021	A25/16C	. Bolt, 2BA	2	—	C	UC1/25
28D/1214311	A25/17C	. Bolt, 2BA	1	—	C	UC1/26
28F/9429636	AGS1186/3	. Seal, bonded	10	—	C	UC1/27
	EEAS77/72	. HOSE, connection (Make from 32C/1275034)	4	DTD625	LM	UC1/28
21334	EA1.57.783	. HOSE, rubber, blanking tube connection	1	DTD625	—	UC1/29
12334	EA1.20.5073	. JOINT, tee, through main spar, nitrogen system, port (Pre—Mod 3432)	1	L54	C	UC1/340
12344	EA1.20.5074	. JOINT, tee, through main spar, nitrogen system, starboard (Pre—Mod 3432)	1	L54	C	UC1/31
6928	EA1.20.4423	. PANEL, FUEL PUMP, ACCESS, PORT, ASSEMBLY	1	—	B	UC2/1
6929	EA1.20.4424	. PANEL, FUEL PUMP, ACCESS, STARBOARD, ASSEMBLY	1	—	B	UC2/2
		Spares for:—				
5511	EA1.20.10897	. VALVE, DRAIN, ASSEMBLY	1	—	B	UC2/3
		Consisting of:—				
	EA1.20.10909	. . . DISH, syphon	1	—	C	UC2/4
		Attaching parts for EA1.20.10909:—				
	EA1.20.10911	. . . Screw, special, 4BA	4	—	C	UC2/5
1439044	EA1.20.10899	. . . HOUSING, drain plug	1	—	C	UC2/6
21522	EA1.20.10901	. . . PLUG, VALVE, ASSEMBLY	1	—	C	UC2/7
		Consisting of:—				
	EA1.20.10903	. . . . PLUG, drain valve	1	L40	—	UC2/8
5512	EA1.20.10907	. . . . PLUG, 3/4" BSP	1	L40	C	UC2/9
12335	EA1.20.10905	. . . . RING, resilient	1	—	C	UC2/10
3458	EA1.20.2903	. WASHER, sealing	1	Neo-K-Tex	C	UC2/11
		Attaching parts for EA1.20.4423 and EA1.20.4424:—				
6218	EEAS1/1 1/2E	. Screw, 1/4" BSF	44	S96	C	UC2/12
16106	EA1.20.5311	. PANEL, ACCESS, REAR WALL, ASSEMBLY	1	—	B	UC2/13
16107	EA1.20.5313	. PANEL, ACCESS, REAR WALL, ASSEMBLY	2	—	B	UC2/14
16028	EA1.20.4801	. PANEL, ACCESS, REAR WALL, ASSEMBLY	1	—	B	UC2/15
		Spares for:—				
21040	EA1.20.4927	. RING, seal	1	—	C	UC2/16
		Attaching parts for EA1.20.5311, EA1.20.5313 and EA1.20.4801:—				
28M/7002430	AGS2002E1	. Nut, stiff, 1/4" BSF	28	—	C	UC2/17
28W/9419405	SP15E	. Washer	28	—	C	UC2/18

TANKS  
INTEGRAL FUEL TANKS

Part Number	Description	No. Off						Mati. Spec.	Plate No.
		1	2	3	4	5	6		
EA1.20.5155	. PIPE, from outer elbow connection to tee piece (Pre-Mod 3432)						1	L56	UC1/32
EA1.20.5157	. PIPE, from inner elbow connection to tee piece (Pre-Mod 3432)						1	L56	UC1/33
EB6.20.149	. PLATE, clamping assembly						3	-	UC4/48
EB6.20.150	. PLATE, clamping assembly						3	-	UC4/49
EEAS99/4E	. Attaching parts for EB6.20.149, EB6.20.150 :- . Bolt, sealing 1/2" BSF 120° csk. head						7	-	UC4/50
PULSOMETER PUL907MK4	. PUMP, fuel Attaching parts for PUL907MK4 :-						1	-	UC2/19
A25/6C	. Bolt, 2BA						14	-	UC2/20
AGS2001C1/66	. Nut, stiff, 2BA						14	-	UC2/21
AGS1186/3	. Seal, bonded						14	-	UC2/22
SP15C	. Washer						14	-	UC2/23
EA1.20.5265	. RING, nut						1	-	UC2/24
EA1.20.5195	. RING, packing, between rear wall elbow connection and tank (Pre-Mod 3432)						2	DTD118	UC1/34
EA1.57.1145	. RING, sealing, at flanged elbow connection (Pre-Mod 3432)						2	Hycar rubber	UC1/35
EA1.20.4153	. SEAL						1	Neo-K-Tex	UC2/25
EA6.20.251	. SEAL						1	Petrolite	UC2/26
EA3.20.2611	. SPIGOT Attaching parts for EA3.20.2611 :-						3	-	UC2/27
EA3.20.2617	. Bolt, special						4	-	UC2/28
EA3.20.2615	. Shim, packing						1	-	UC2/29
EA1.20.3507	. STRUCTURE, MAIN INTEGRAL TANK, PORT ASSEMBLY						-	-	UC2/30
EA1.20.3508	. STRUCTURE, MAIN INTEGRAL TANK, STARBOARD, ASSEMBLY Spares for :-						-	-	UC2/31
EEAS134/3 1/2 C	. . BOLT, special, sealing, 2BA						8	S97	UC2/32
EA1.20.5151	. . BRACKET, pipe clip support						5	-	UC2/33

R

TANKS  
INTEGRAL FUEL TANKS

Part Number	Description	No. Off	Mati. Spec.	Plate No.
EA1.20.5152	. . . BRACKET, pipe clip support Attaching parts for EA1.20.5151 and EA1.20.5152 :-	AR	—	UC2/34
A25/2B	. . . Bolt, 4BA	2	—	UC2/35
AGS2002B1	. . . Nut, stiff, 4BA	2	—	UC2/36
SP15B	. . . Washer	2	—	UC2/37
SMITHS PLT9T	. . . CABLE, fuel contents gauge tank unit	2	—	UC3/1
EB7.57.139	. . . CAP, FILLER, ASSEMBLY, INBOARD Consisting of :-	1	—	UC3/2
AS2590	. . . CAP, FILLER, ASSEMBLY Consisting of :-	1	—	UC3/3
AS2591	. . . . . BASE	1	—	UC3/4
AS2592	. . . . . CAP	1	—	UC3/5
AS5364	. . . . . RING, sealing	1	—	UC3/6
R GMA 2070	. . . . . CHAIN, brass link (SEM 047)	QR	—	
TERRY 169-5/8	. . . . . RING, split (SEM 047)	2	—	
R EB6.57.139	. . . CAP, FILLER, ASSEMBLY, OUTBOARD Consisting of :-	1	—	UC3/8
AS2590	. . . CAP, FILLER, ASSEMBLY Consisting of :-	1	—	UC3/9
AS2591	. . . . . BASE	1	—	UC3/10
AS2592	. . . . . CAP	1	—	UC3/11
AS5364	. . . . . RING, sealing	1	—	UC3/12
R GMA 2070	. . . . . CHAIN, brass link (SEM 047)	QR	—	
TERRY 169-5/8	. . . . . RING, split (SEM 047)	2	—	
EA1.20.4869	. . . . . Attaching parts for EB7.57.139 and EB6.57.139 :-	5	—	UC3/14
EEAS1/1C	. . . Bolt, special, 2BA	10	—	UC3/15
EEAS112/15	. . . CLIP	7	—	UC3/16
EA1.20.4829	. . . CLIP	2	—	UC3/17
EA1.20.5153	. . . CLIP	12	L16	UC3/18
EB6.20.747	. . . CLIP (PRE-MOD 3432) Attaching parts for EEAS112/15, EA1.20.4829, EA1.20.5153 and EB6.20.747 :-	1	L72	UC3/19
A25/1B	. . . Bolt, 4BA	QR	—	UC3/20
A25/2B	. . . Bolt, 4BA	QR	—	UC3/21
A25/7B	. . . Bolt, 4BA (Pre-Mod 3432)	QR	—	UC3/22
A25/1C	. . . Bolt, 2BA	QR	—	UC3/23
AGS2002B1	. . . Nut, stiff, 4BA	QR	—	UC3/24
AGS2002C1	. . . Nut, stiff, 2BA	QR	—	UC3/25
R EA3.20.1973	. . . Piece, distance (Pre-Mod 3432)	QR	—	UC3/26
SP15B	. . . Washer	QR	—	UC3/27
SP16B	. . . Washer	QR	—	UC3/28
SP15C	. . . Washer	QR	—	UC3/29
R EA1.20.5045	. . . Washer, packing (Pre-Mod 3432)	QR	—	UC3/30

TANKS  
INTEGRAL FUEL TANKS

Ref. No.	Part No.	Description	No. off	Matl. Spec.	Cl. of Equip M.R. L.M.	Plate No.
16031	EA1.20.4819	. . CONDUIT, vent heater, bay No. 3, port	1	—	C	UC3/31
16032	EA1.20.4820	. . CONDUIT, vent heater, bay No. 3, starboard	1	—	C	UC3/32
16170	EA1.20.11031	. . CONDUIT, vent heater, bay No. 5, port	1	—	C/MR	UC3/33
16171	EA1.20.11032	. . CONDUIT, vent heater, bay No. 5, starboard	1	—	C/MR	UC3/34
16466	EA6.57.21	. . CONNECTOR, rigid, tank unit, rib 5A to rib 5, port	1	—	C	UC3/35
16467	EA6.57.22	. . CONNECTOR, rigid, tank unit, rib 5A to rib 5, starboard	1	—	C	UC3/36
16468	EA6.57.23	. . CONNECTOR, rigid, tank unit, rib 3A to rib 3, port	1	—	C	UC3/37
16469	EA6.57.24	. . CONNECTOR, rigid, tank unit, rib 3A to rib 3, starboard	1	—	C	UC3/38
20786	EA6.57.31	. . CONNECTOR, rigid, tank unit, cable to rib 3A	1	—	C	UC3/39
16472	EA6.57.33	. . CONNECTOR, rigid, tank unit, cable to rib 4B, port	1	—	C	UC3/40
16473	EA6.57.34	. . CONNECTOR, rigid, tank unit, cable to rib 4B, starboard	1	—	C	UC3/41
16474	EA6.57.35	. . CONNECTOR, rigid, tank unit, rib 5 to unit, port	1	—	C	UC3/42
16475	EA6.57.36	. . CONNECTOR, rigid, tank unit, rib 5 to unit, starboard	1	—	C	UC3/43
16476	EA6.57.37	. . CONNECTOR, rigid, tank unit, rib 3 to unit, port	1	—	C	UC3/44
16477	EA6.57.38	. . CONNECTOR, rigid, tank unit, rib 3 to unit, starboard	1	—	C	UC3/45
21725	EB7.57.281	. . CONNECTOR, rigid, tank unit, rib 5A to rib 5B	1	—	C	UC3/46
21726	EB7.57.283	. . CONNECTOR, rigid, tank unit, rib 3A to rib 3B	1	—	C	UC3/47
21728	EB7.57.291	. . CONNECTOR, rigid, tank unit, rib 4B to rib 5A, port	1	—	C	UC3/48
21729	EB7.57.292	. . CONNECTOR, rigid, tank unit, rib 4B to rib 5A, starboard	1	—	C	UC3/49
		Attaching parts for EA6.57.21, EA6.57.22, EA6.57.23, EA6.57.24, EA6.57.31, EA6.57.33, EA6.57.34, EA6.57.35, EA6.57.36, EA6.57.37, EA6.57.38, EB7.57.281, EB7.57.283, EB7.57.291 and EB7.57.292:—				
28D/9436920	A25/1C	. . Bolt, 2BA	QR	—	C	UC3/50
28D/9133011	A25/2C	. . Bolt, 2BA	QR	—	C	UC3/51
28D/9133012	A25/3C	. . Bolt, 2BA	QR	—	C	UC3/52
28M/1278190	AGS2001C/1/66	. . Nut, stiff, 2BA	QR	—	C	UC3/53
28M/9433473	AGS2002C1	. . Nut, stiff, 2BA	QR	—	C	UC3/54
28W/9419475	SP15C	. . Washer	QR	—	C	UC3/55
16240	EB6.20.31	. . EXTENSION, nitrogen purging pipe, bay No. 5, port (Pre—Mod 3432)	2	—	C	UC3/56
16241	EB6.20.32	. . EXTENSION, nitrogen purging pipe, bay No. 5, starboard (Pre—Mod 3432)	2	—	C	UC3/57
16244	EB6.20.35	. . EXTENSION, vent pipe, bay No. 3, port	1	—	C	UC3/58
16245	EB6.20.36	. . EXTENSION, vent pipe, bay No. 3, starboard	1	—	C	UC3/59
16248	EB6.20.39	. . EXTENSION, vent pipe, bay No. 4, port	1	—	C	UC3/60
16249	EB6.20.40	. . EXTENSION, vent pipe, bay No. 4, starboard	1	—	C	UC3/61

TANKS  
INTEGRAL FUEL TANKS

Ref. No.	Part No.	Description	No. off	Matl. Spec.	Cl. of Equip M.R. L.M.	Plate No.	
							1
28D/1008149 28M/1086618 28W/9419474	EB7.57.275	. . . FAIRLEAD, at ribs 3A, 3B, 5A and 5 (Mod 1491)	4	LFS21	—	UC4/1	
	EB7.57.289	. . . FAIRLEAD, at rib 3	1	LFS21	—	UC4/2	
	A25/2B	. . . Attaching parts for EB7.57.275 and EB7.57.289:—	2	—	C	UC4/3	
	AGS2002B1	. . . Bolt, 4BA	2	—	C	UC4/4	
	SP15B	. . . Nut, stiff, 4BA	2	—	C	UC4/5	
15987 16266 16267	EEAS77/72	. . . HOSE, rubber, coupling nitrogen purging pipes	7	DTD625	LM	UC4/6	
	EA1.20.5409	. . . PIPE, drain, assembly, inboard filler cap to fuel vent drain pipe tee, starboard	1	—	—	UC4/7	
	EA1.20.5410	. . . PIPE, drain, assembly, inboard filler cap to fuel vent drain pipe tee, starboard	1	—	—	UC4/8	
	EA1.20.5417	. . . PIPE, drain, assembly, outboard filler cap to fuel vent, drain pipe tee, port	1	—	—	UC4/9	
	EA1.20.5418	. . . PIPE, drain, assembly, outboard filler cap to fuel vent, drain pipe tee, starboard	1	—	—	UC4/10	
	EA1.20.4279	. . . PIPE, fuel pump compartment to bay No. 3	1	—	—	UC4/11	
	EB6.20.387	. . . PIPE, fuel, in bay No. 3, port	1	—	C	UC4/12	
	EB6.20.388	. . . PIPE, fuel, in bay No. 3, starboard	1	—	C	UC4/13	
	EA1.20.5401	. . . PIPE, fuel, vent drain, assembly, upper bay No. 3, port	1	—	—	UC4/14	
	EA1.20.5402	. . . PIPE, fuel, vent drain, assembly, upper bay No. 3, starboard	1	—	—	UC4/15	
	EA1.20.5405	. . . PIPE, fuel, vent drain, assembly, lower bay No. 3, port	1	—	—	UC4/16	
	21749	EA1.20.5406	. . . PIPE, fuel, vent drain, assembly, lower bay No. 3, starboard	1	—	C	UC4/17
	21756	EA1.20.5421	. . . PIPE, fuel, vent drain, assembly, upper bay No. 5, port	1	—	C	UC4/18
	21757	EA1.20.5422	. . . PIPE, fuel, vent drain, assembly, upper bay No. 5, starboard	1	—	C	UC4/19
	21752	EA1.20.5413	. . . PIPE, fuel, vent drain, assembly, lower bay No. 5, port	1	—	C	UC4/20
21753	EA1.20.5414	. . . PIPE, fuel, vent drain, assembly, lower bay No. 5, starboard	1	—	C	UC4/21	
16234	EB6.20.25	. . . PIPE, nitrogen purging, bay No. 2, port (Pre—Mod 3432)	1	—	C	UC4/22	
16235	EB6.20.26	. . . PIPE, nitrogen purging, bay No. 2, starboard (Pre—Mod 3432)	1	—	C	UC4/23	
16236	EB6.20.27	. . . PIPE, nitrogen purging, bay No. 2, port (Pre—Mod. 3432)	1	—	C	UC4/24	
16237	EB6.20.28	. . . PIPE, nitrogen purging, bay No. 2, starboard (Pre—Mod. 3432)	1	—	C	UC4/25	
16238	EB6.20.29	. . . PIPE, nitrogen purging, bay No. 2, port (Pre—Mod 3432)	1	—	C	UC4/26	
16239	EB6.20.30	. . . PIPE, nitrogen purging, bay No. 2, starboard (Pre—Mod. 3432)	1	—	C	UC4/27	

## INTEGRAL FUEL TANKS

Part Number	Description	No. Off	Matl. Spec.	Plate No.
EB6.20.37	. . PIPE, nitrogen purging, bay No. 4, port (Pre-Mod 3432)	1	-	UC4/28
EB6.20.38	. . PIPE, nitrogen purging, bay No. 4, starboard (Pre-Mod 3432)	1	-	UC4/29
EB6.20.43	. . PIPE, nitrogen purging, bay No. 4, port (Pre-Mod 3432)	1	-	UC4/30
EB6.20.44	. . PIPE, nitrogen purging, bay No. 4, starboard (Pre-Mod 3432)	1	-	UC4/31
EB6.20.33	. . PIPE, vent, bay No. 3, port	1	-	UC4/32
EB6.20.34	. . PIPE, vent, bay No. 3, starboard	1	-	UC4/33
EB6.20.41	. . PIPE, vent, bay No. 5, port	1	-	UC4/34
EB6.20.42	. . PIPE, vent, bay No. 5, starboard	1	-	UC4/35
EA1.20.5103	. . PLUG, screwed, slinging point blanking	3	-	UC4/36
AGS566B	. . PLUG, vent valve blanking	1	-	UC3/62
EB6.20.1157	. . RING, bolt, half filler cap	2	S510	UC3/63
EA1.20.4153	. . SEAL	2	Neo-K-Tex	UC4/37
EA1.20.5099	. . SEAL	3	Neo-K-Tex	UC4/38
EA1.20.4831	. . SEAL, filler cap	2	Neo-K-Tex	UC3/64
EA1.20.4833	. . SEAL, vent valve	2	Neo-K-Tex	UC4/39
EA1.20.4413	. . SKIN, LEADING EDGE, INTEGRAL TANK BAY No. 2, PORT, ASSEMBLY	1	-	UC4/40
EA1.20.4414	. . SKIN, LEADING EDGE, INTEGRAL TANK BAY No. 2, STARBOARD, ASSEMBLY	1	-	UC4/41
	Spares for:-			
EA1.20.5131	. . . PLATE, nut fuel pump access cover attachment	2	-	UC4/42
EA1.20.5129	. . . RING, nut fuel pump access cover attachment	2	-	UC4/43
EEAS104	. . . VALVE, water, drain	3	-	UC4/44
	Attaching parts for EEAS104:-			
EEAS134/2C	. . . Bolt, 2BA	2	-	UC4/45
A27CT	. . . Nut, thin 2BA	2	-	UC4/46
SP16C	. . . Washer	2	-	UC4/47
EA6.57.29	. . SUPPORT, cable	2	-	UC5/1
	Attaching parts for EA6.57.29:-			
A25/3B	. . Bolt, 4BA	2	-	UC5/2
AGS2002B1	. . Nut, stiff, 4BA	2	-	UC5/3
SP15B	. . Washer	2	-	UC5/4
EA6.57.27	. . SUPPORT, connector	2	-	UC5/5
	Attaching parts for EA6.57.27:-			
A25/2B	. . Bolt, 4BA	3	-	UC5/6
AGS2002B1	. . Nut, stiff 4BA	3	-	UC5/7
SP15B	. . Washer, 4BA	3	-	UC5/8
AGS1118B	. . TEE, connection, vent drain pipes	2	-	UC5/9

## TANKS

## INTEGRAL FUEL TANKS

Part Number	Description	No. Off	Matl. Spec.	Plate No.
EB6.20.1153	. . TUBE, fuelling Attaching parts for EB6.20.1153:—	1	—	UC3/62
A25/2C	. . Bolt, 2BA	9	—	UC3/63
A27CT	. . Nut, thin, 2BA	5	—	UC3/64
AGS2002C1	. . Nut, stiff, 2BA	9	—	UC3/65
SP13C	. . Washer	5	—	UC3/66
EB6.20.1159	. . Washer, clamping, bolt ring	4	—	UC3/67
EA1.20.4821	. . TUBE, static, vent, port, assembly	1	—	UC5/10
EA1.20.4822	. . TUBE, static, vent, starboard, assembly	1	—	UC5/11
SMITH WAYMOUTH TB113	. . UNIT, tank, fuel contents at rib 3A	1	—	UC5/12
SMITH WAYMOUTH TB112	. . UNIT, tank, fuel contents at rib 3B	1	—	UC5/13
SMITH WAYMOUTH TB111	. . UNIT, tank, fuel contents at rib 5A	1	—	UC5/14
SMITH WAYMOUTH TB110	. . UNIT, tank, fuel contents, at rib 5B	1	—	UC5/15
EA1.20.4533	. . VALVE, NON-RETURN, ASSEMBLY Spares for:—	1	—	UC5/16
EB6.20.1151	. . . BOLT, special (Make from A25/2C)	1	—	UC5/25
A61/27C	. . . BOLT	1	—	UC5/17
AGS2002C3	. . . NUT, stiff	1	—	UC5/18
A27/CP	. . . NUT	1	—	UC5/19
EA1.20.5117	. . . PLATE	1	—	UC5/20
EA1.20.5123	. . . TUBE, distance	1	—	UC5/21
EA1.20.5119	. . . WASHER, $\frac{1}{32}$ " NEO-LANGITE SB210 (TO BS.F66) OR $\frac{1}{32}$ " PETROLITE	1	—	UC5/26
EA1.20.5121	. . . WASHER, retaining	1	—	UC5/22
SP15E	. . . WASHER	2	—	UC5/23
SP15C	. . . WASHER	1	—	UC5/24
A25/2C	. . Bolt, 2BA	8	—	UC5/27
AGS2002C1	. . Nut, stiff, 2BA	8	—	UC5/28
SP15C	. . Washer	6	—	UC5/29
EB6.20.795	. . VALVE, NON-RETURN, ASSEMBLY Spares for:—	1	—	UC5/30
EB6.20.1157	. . . BOLT, special (Make from A25/2C)	1	—	UC5/25
A61/27C	. . . BOLT	1	—	UC5/17
AGS2002C3	. . . NUT, stiff	1	—	UC5/18
A27CP	. . . NUT	1	—	UC5/19
EA1.20.5117	. . . PLATE	1	—	UC5/20
EA1.20.5123	. . . TUBE, distance	1	—	UC5/21

R

TANKS  
INTEGRAL FUEL TANKS

Part Number	Description	1 2 3 4 5 6						No. Off	Matl. Spec.	Plate No.
EA1.20.5119	. . . WASHER, Petrolite							1	—	UC5/26
EA1.20.5121	. . . WASHER, retaining							1	—	UC5/22
SP15E	. . . WASHER							2	—	UC5/23
SP15C	. . . WASHER							1	—	UC5/24
	Attaching parts for EB6.20.795 :—									
A25/3C	. . . Bolt, 2BA							6	—	UC5/31
AS1246/3C	. . . Bolt, rd. head							2	—	UC5/32
AGS2002C1	. . . Nut, stiff, 2BA							8	—	UC5/33
SP15C	. . . Washer							2	—	UC5/34
SP16C	. . . Washer							2	—	UC5/35
EA2.57.745	. . . VALVE, non-return, nitrogen purging pipe lines (Pre—Mod 3432)							2	—	UC5/36
EA1.57.663	. . . VALVE, VENT, PORT, ASSEMBLY							2	—	UC6/1
EA1.57.664	. . . VALVE, VENT, STARBOARD, ASSEMBLY							2	—	UC6/2
	Spares for :—									
EA1.57.919	. . . ARM, float pivot							1	—	UC6/3
	Attaching parts for EA1.57.919 :—									
A25/7C	. . . Bolt, 2BA							1	—	UC6/4
A27CS	. . . Nut, slotted, 2BA							1	—	UC6/5
SP15C	. . . Washer							2	—	UC6/6
EA1.57.913	. . . BALL-JOINT, ASSEMBLY							1	—	UC6/7
EA1.57.1337	. . . BOLT, special, vent valve top and bottom element housing (Make from A25/2C)							6	—	UC6/8
5E1934440	. . . CABLE, uniminyvin 20 (Mod 5218)							QR	—	
EA1.57.891	. . . CONNECTION, screwed, vent heater cable							1	—	UC6/9
EA1.57.887	. . . COVER, valve							1	L72	UC6/10
	Attaching parts for EA1.57.887 :—									
A33B8	. . . Screw, csk. head 4BA							7	—	UC6/11
EA1.57.1121	. . . FLOAT, ASSEMBLY							1	—	UC6/12
	Attaching parts for EA1.57.1121 :—									
A25/7B	. . . Bolt, 4BA							1	—	UC6/13
AGS2001B1	. . . Nut, stiff, 4BA							1	—	UC6/14
SP13B	. . . Washer							1	—	UC6/15
EA1.57.885	. . . GASKET, 3.5" o/d (Pre—Mod 2720)							1	Hycar-Shore 45-50	
EB6.57.135	. . . GASKET, 3.5" o/d (Mod 2720)							1	Hycar HE/4	UC6/16
HC304	. . . LUG, vent heater cable							4	—	UC6/17
EA1.57.923	. . . PLATE, rubber washer, retaining							1	L72	UC6/18
	Attaching parts for EA1.57.923 :—									
AGS2002C1	. . . Nut, stiff, 2BA							1	—	UC6/19
SP15C	. . . Washer							1	—	UC6/20
EA1.57.895	. . . RING, joint (Pre—Mod 2720)							1	Hycar-Shore 45-50	
EB6.57.131	. . . RING, joint (Mod 2720)							1	Hycar HE/4 Shore 62	UC6/21

R

TANKS  
INTEGRAL FUEL TANKS

Part Number	Description	No. Off	Matl. Spec.	Plate No.
EEAS20/¾	. . . . SLEEVE (Mod 5218)	2	—	
EA1.57.899	. . . . SOCKET, plug, vent heater cable	2	—	UC6/22
HC294	. . . . TAG, R.T.	2	—	
EA3.57.523	. . . . VALVE, VENT, SUB-ASSEMBLY (PRE-MOD 2721)	1	—	
EB6.57.141	. . . . VALVE, VENT, SUB-ASSEMBLY (MOD 2721) Consisting of :—	1	—	UC6/23
EA1.57.893	. . . . GASKET, 3.5" o/d (Pre-Mod 2721)	1	Hycar Shore 50	
EB6.57.137	. . . . GASKET, 3.5" o/d (Mod 2721)	1	Hycar SH50	UC6/24
EA1.57.1097	. . . . GASKET, 1.8" o/d (Pre-Mod 2721)	1	Hycar Shore 50	
EB6.57.133	. . . . GASKET, 1.8" o/d (Mod 2721)	1	Hycar SH50	UC6/25
EA1.57.889	. . . . GUIDE, plug	1	LFS21	UC6/26
EA1.57.881	. . . . HEAD, valve	1	DTD276	UC6/27
EA1.57.1191	. . . . HEATER, vent valve	1	—	UC6/28
EA1.57.877	. . . . HOUSING, element, bottom half	1	L51 or DTD276	UC6/29
EA1.57.879	. . . . HOUSING, element, top half	1	L51 or DTD276	UC6/30
AGS2001C1/66	. . . . NUT, stiff, 2BA	1	—	UC6/31
SP90C5	. . . . PIN, cotter, split	1	—	UC6/32
EA1.57.903	. . . . PLATE, retaining, valve	1	L72	UC6/33
EA1.57.907	. . . . PLATE, spring, retaining	2	—	UC6/34
EA1.57.897	. . . . PLUG	2	—	UC6/35
EA1.57.905	. . . . RING, valve	1	—	UC6/36
A33C8	. . . . SCREW, csk. head 2BA	3	—	UC6/37
A33B12	. . . . SCREW, csk. head 4BA	2	—	UC6/38
EB6.57.81	. . . . SPRING, 20 SWG	1	DTD215	UC6/39
EA1.57.1103	. . . . SPRING, 18 SWG	1	DTD215	UC6/40
EA1.57.1099	. . . . STEM, valve	1	DTD625	UC6/41
EA1.57.901	. . . . WASHER, valve, 1.35" o/d	1	Hycar	UC6/42
EA1.57.921	. . . . WASHER, rubber	1	Hycar Shore 50	UC6/43
EA1.57.1321	. . . . WASHER, sealing	1	Hycar Shore 50	UC6/44
EA1.20.3987	. . . . WALL, END, ASSEMBLY, INBOARD, PORT	1	—	UC6/45
EA1.20.3988	. . . . WALL, END, ASSEMBLY, INBOARD, STARBOARD	1	—	UC6/46
EA1.20.5275	. . . . PLATE, MOUNTING, ASSEMBLY Spares for :—	1	—	UC6/47
EA1.20.5265	. . . . RING, nut	1	—	UC6/48
AGS568B	. . . . WASHER, jointing	1	—	UC3/68
EEAS20/3CU	. . . . TAB, locking	4	—	UC1/36
EEAS1/¾E	Attaching parts for EB7.00.111 and EB7.00.112 :— Screw, ¾" BSF	522	—	UC1/37
EEAS1/5G	Screw, 5/16" BSF	22	—	UC1/38

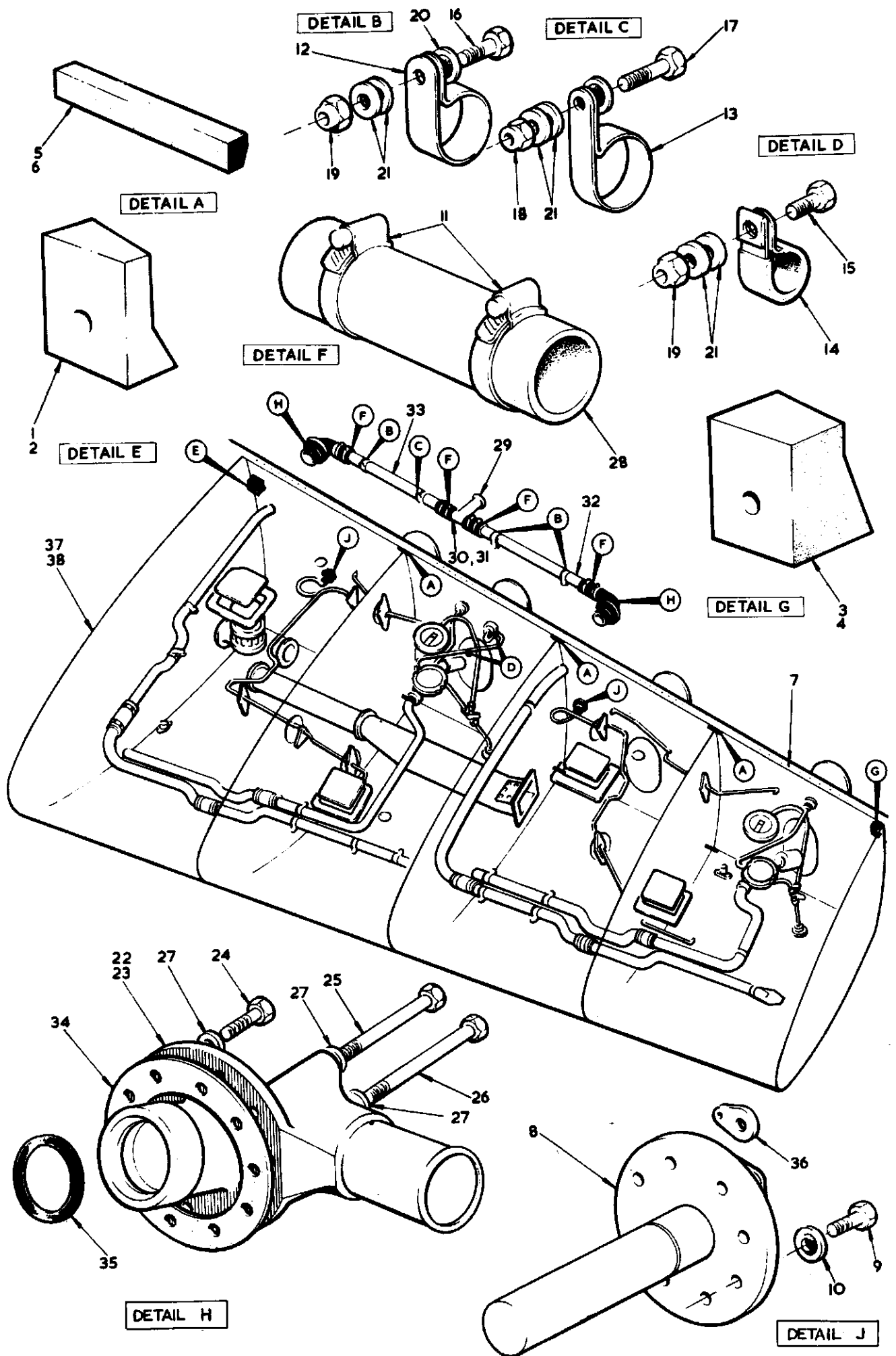


FIG.1 INTEGRAL FUEL TANKS

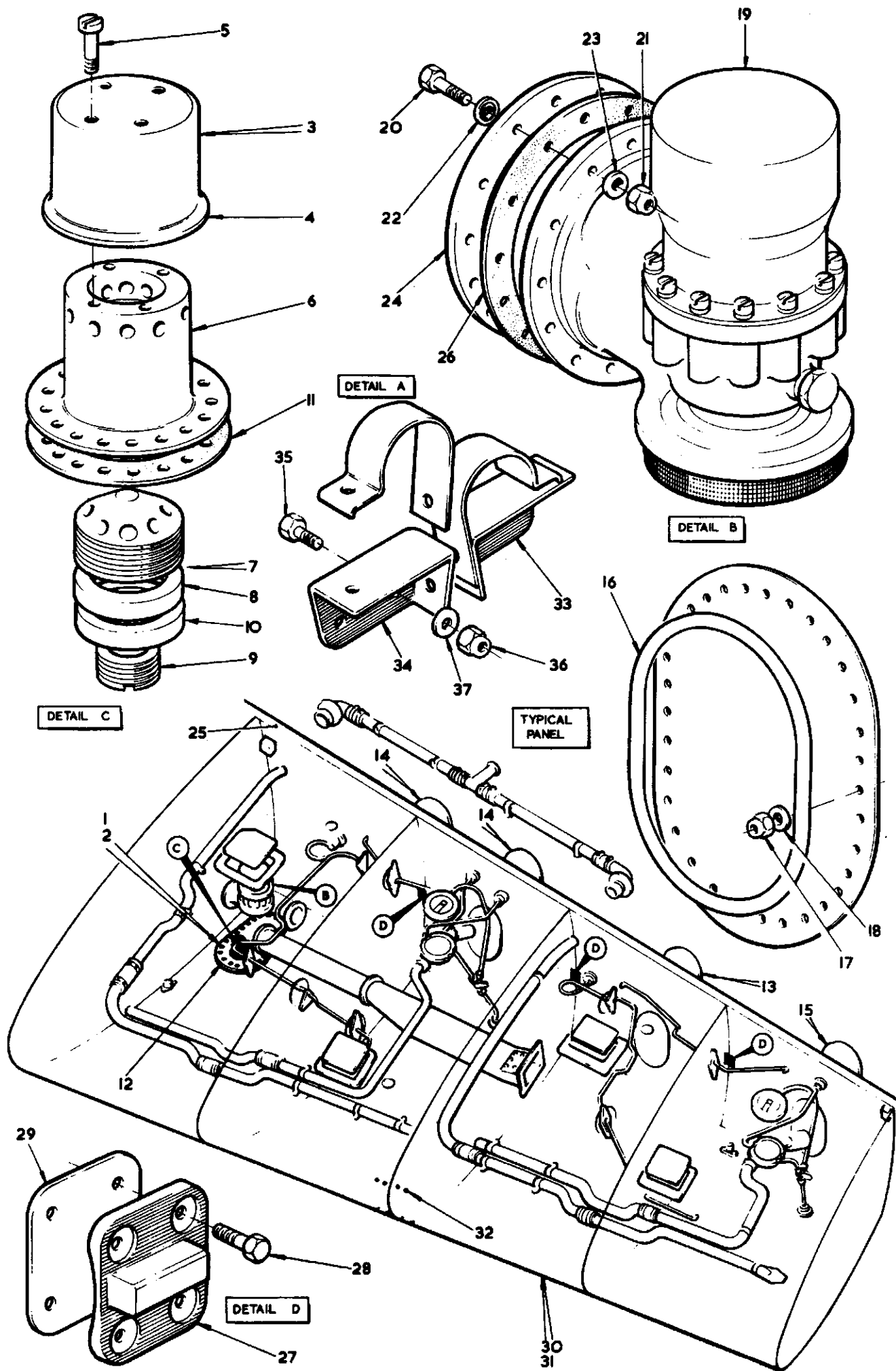


FIG.2 INTEGRAL FUEL TANKS



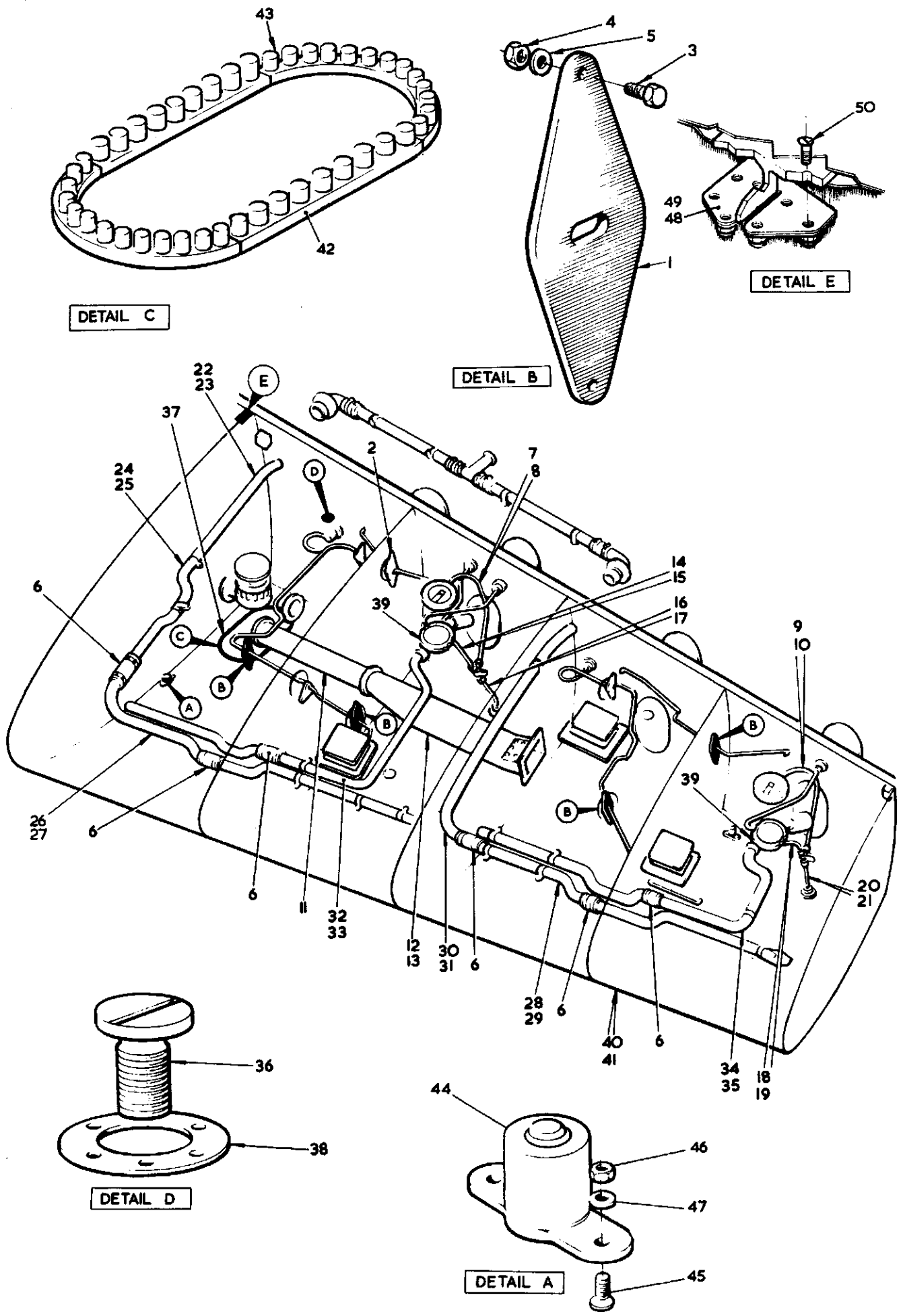


FIG.4 INTEGRAL FUEL TANK

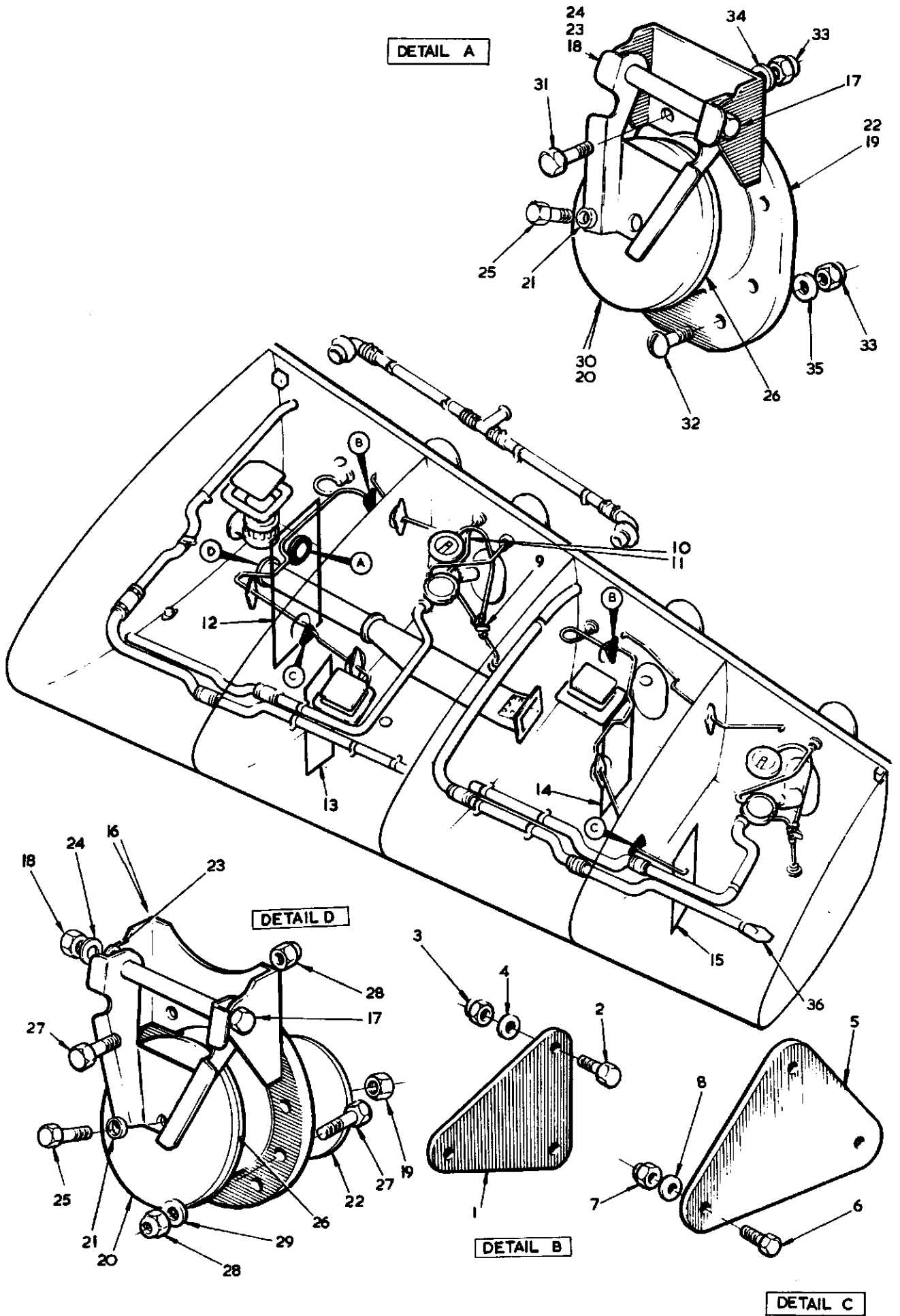


FIG.5 INTEGRAL FUEL TANKS

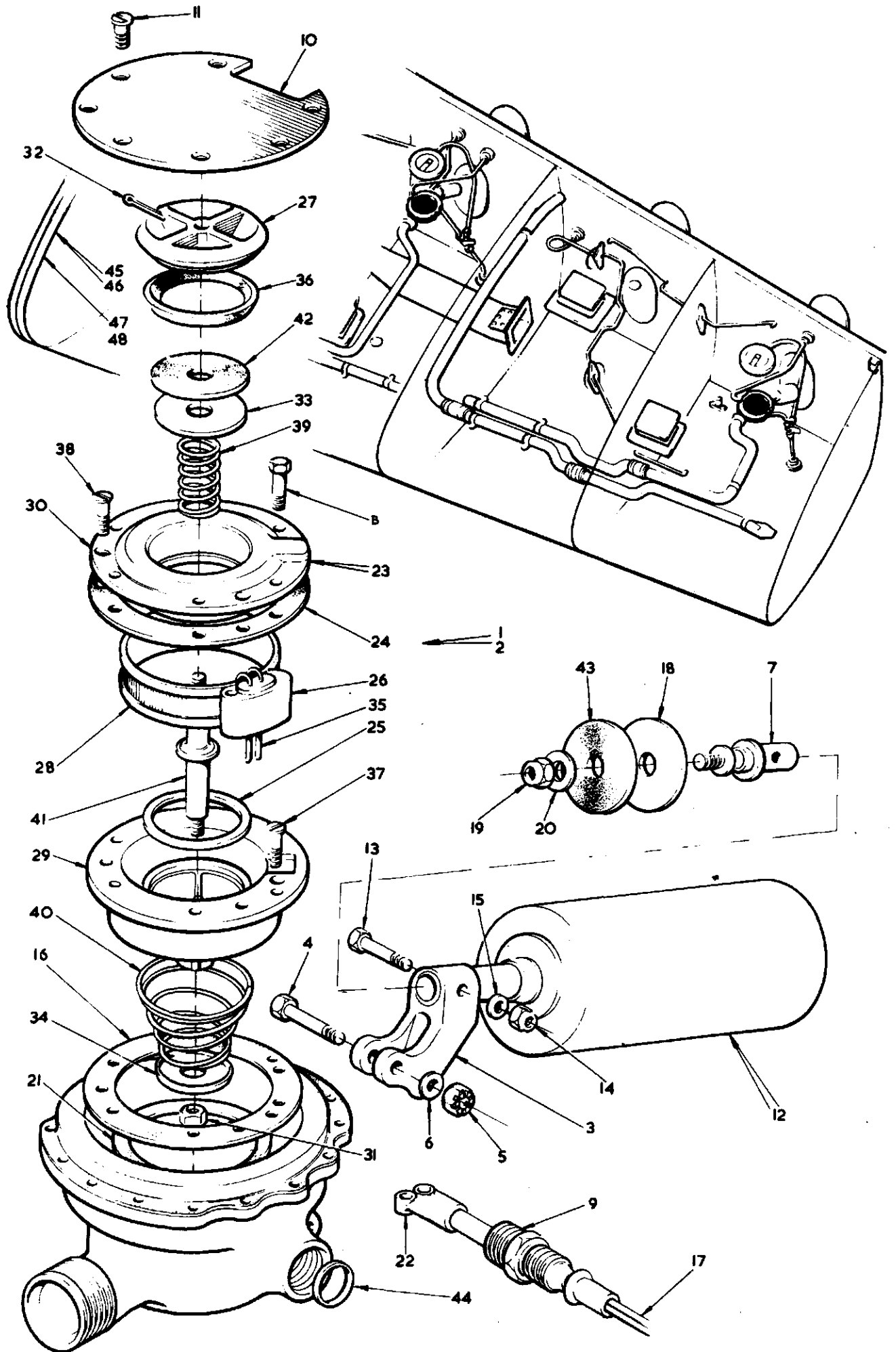


FIG.6 INTEGRAL FUEL TANKS

This file was downloaded  
from the RTFM Library.

Link: [www.scottbouch.com/rftm](http://www.scottbouch.com/rftm)

Please see site for usage terms,  
and more aircraft documents.

