

CONTROLS
ENGINE CONTROLS IN CENTRE FUSELAGE

Ref. No.	Part No.	Description	No. off	Matl Spec.	Cl. of Equip. M.R. L.M.	Plate No.
	E.B6.74.297	CONTROLS, ENGINE, IN CENTRE FUSELAGE, ASSEMBLY	—	—	—	
	E.A1.47.203	CONTROLS, AT FRAME 13, ASSEMBLY ... Spares for:—	1	—	—	
7748	E.A1.47.177	BRACKET , fairlead attachment, L.H. ...	1	—	C	
7749	E.A1.47.179	BRACKET , fairlead attachment, R.H. ...	1	—	C	
7755	E.A3.47.61	BRACKET , lever attachment, L.H., upper ...	1	—	C	
7754	E.A3.47.63	BRACKET , lever attachment, L.H., lower ...	1	—	C	
7756	E.A3.47.57	BRACKET , lever attachment, R.H., upper ...	1	—	C	
7757	E.A3.47.59	BRACKET , lever attachment, R.H., lower ...	1	—	C	
3209	E.A1.47.309	FAIRLEAD , half, for transverse control tubes ... Attaching parts for E.A1.47.309 (per pair):—	4	BS.2572	C	C.3
28D/9140645	A25/10C	Bolt, 2 BA ...	2	—	C	
28M/9403520	A27/CP	Nut, 2 BA ...	2	—	C	
3208	E.A1.47.307	FAIRLEAD , half, for L.H. control tubes ... Attaching parts for E.A1.47.307 (per pair):—	2	BS.2572	C	C.3
28D/9140645	A25/10C	Bolt, 2 BA ...	2	—	C	
28M/1278190	AGS.2001/C/1	Nut, 2 BA ...	2	—	C	
2040	E.A3.47.65	LEVER , throttle control, L.H. (Pre-Mod. 5028) ...	1	—	B	C.3
6119125	E.A3.47.119	LEVER , throttle control, L.H. (Mod. 5028) ...	1	—	B	
2038	E.A3.47.67	LEVER , cut out valve control, L.H. (Pre-Mod. 5028) ...	1	—	B	C.3
6119127	E.A3.47.121	LEVER , cut out valve control, L.H. (Mod. 5028) ... Attaching parts for E.A3.47.65 and E.A3.47.67 or E.A3.47.119 and E.A3.47.121 (per pair):—	1	—	B	
3088	EEAS.13/5	Bolt, special ...	1	S.96	C	C.3
28M/1011467	A27/ES	Nut, 3" BSF ...	1	—	C	
28P/9527619	SP.90/C7	Pin, split ...	1	—	C	
28W/9419487	SP.16/E	Washer ...	1	—	C	
2041	E.A3.47.66	LEVER , throttle control, R.H. (Pre-Mod. 5028) ...	1	—	B	C.3
6119126	E.A3.47.120	LEVER , throttle control, R.H. (Mod. 5028) ...	1	—	B	
2039	E.A3.47.68	LEVER , cut out valve control, R.H. (Pre-Mod. 5028) ...	1	—	B	C.3
6119128	E.A3.47.122	LEVER , cut out valve control, R.H. (Mod. 5028) ... Attaching parts for E.A3.47.66 and E.A3.47.68 or E.A3.47.120 and E.A3.47.122 (per pair):—	1	—	B	
2042	E.A3.47.73	Bolt, special ...	1	S.96	C	C.3
28M/1011467	A27/ES	Nut, 3" BSF ...	1	—	C	
28P/9419528	SP.9/C8	Pin, split ...	1	—	C	
28W/9419487	AS.2811/6/020 SP.16/E	Tube, distance ... Washer ...	2 1	L.62 —	LM C	
3210	E.A1.47.305	FAIRLEAD , half, for control tubes ... Attaching parts for E.A1.47.305 (per pair):—	16	BS.2572	C	C.3
28D/9419397	A25/12C	Bolt, 2 BA (as required) ...	2	—	C	
28D/1214037	AS.1242/15C	Bolt, 2 BA (as required) ...	2	—	C	
28M/1278190	AGS.2001/C/1	Nut, 1 BA ...	2	—	C	
7738	E.A1.47.535	Packing (as required) ...	1	—	C	
7739	E.A1.47.537	Packing (as required) ...	1	—	C	
7740	E.A1.47.539	Packing (as required) ...	1	—	C	
28W/9419475	SP.15/C	Washer ...	2	—	C	

CONTROLS
ENGINE CONTROLS IN CENTRE FUSELAGE

Ref. No.	Part No.	Description	No. off	Matl Spec.	Cl. of Equip.		Plate No.
					M.R.	L.M.	
	E.B6.47.299	LEVER, CONTROL, AT FRAME 16, L.H., ASSEMBLY (PRE-MOD. 5028) Spares for:—	1	—	—		
2A/9500412	HOFFMANN CS.3	BEARING, ballrace	2	—	C	C.3	
7743	E.A1.47.105	BRACKET, top	1	L.72	C	C.3	
7745	E.A1.47.107	BRACKET, bottom	1	DTD.160	C	C.3	
7747	E.A1.47.123	HOUSING, ballrace	2	—	C	C.3	
22760	E.A9.47.131	LEVER, SUB-ASSEMBLY Spares for:—	1	—	B	C.3	
28N/13510	HOFFMANN C.J.0	BEARING, spherical	2	—	C	C.3	
25772	E.A3.47.151	EYE-END, assembly	2	—	C	C.3	
28M/1007404	A27/JT	NUT, 1/2" BSF	2	—	C	C.3	
	E.B6.47.31	LEVER, CONTROL, AT FRAME 16, L.H. ASSEMBLY (MOD. 5028) Spares for:—	1	—	—		
2A/9500412	HOFFMANN CS.3	BEARING, ballrace	2	—	C	C.3	
7743	E.A1.47.105	BRACKET, top	1	L.72	C	C.3	
7745	E.A1.47.107	BRACKET, bottom	1	DTD.160	C	C.3	
6119183	E.A3.47.125	HOUSING, ballrace	2	—	C		
	E.A9.47.211	LEVER, SUB-ASSEMBLY Spares for:—	1	—	—		
28N/13510	HOFFMANN C.J.0	BEARING, spherical	2	—	C	C.3	
6119130	E.A3.47.123	EYE-END, assembly	2	—	C	C.3	
28M/1007404	A27/JT	NUT, 1/2" BSF	2	—	C	C.3	
	E.B6.47.300	LEVER, CONTROL, AT FRAME 16, R.H., ASSEMBLY (PRE-MOD. 5028) Spares for:—	1	—	—		
2A/9500412	HOFFMANN CS.3	BEARING, ballrace	2	—	C	C.3	
7744	E.A1.47.106	BRACKET, top	1	L.72	C	C.3	
7746	E.A1.47.108	BRACKET, bottom	1	DTD.160	C	C.3	
7747	E.A1.47.123	HOUSING, ballrace	2	—	C	C.3	
22761	E.A9.47.132	LEVER, SUB-ASSEMBLY Spares for:—	1	—	B	C.3	
28N/13510	HOFFMANN C.J.0	BEARING, spherical	2	—	C	C.3	
25772	E.A3.47.151	EYE-END, assembly	2	—	C	C.3	
28M/1007404	A27/JT	NUT, 1/2" BSF	2	—	C	C.3	
	E.B6.47.32	LEVER, CONTROL, AT FRAME 16, R.H., ASSEMBLY (MOD. 5028) Spares for:—	1	—	—		
2A/9500412	HOFFMANN CS.3	BEARING, ballrace	2	—	C	C.3	
7744	E.A1.47.106	BRACKET, top	1	L.72	C	C.3	
7746	E.A1.47.108	BRACKET, bottom	1	DTD.160	C	C.3	
6119183	E.A3.47.125	HOUSING, ballrace	2	—	C		
	E.A9.47.212	LEVER, SUB-ASSEMBLY Spares for:—	1	—	—		
28N/13510	HOFFMANN C.J.0	BEARING, spherical	2	—	C	C.3	
6119130	E.A3.47.123	EYE-END, assembly	2	—	C	C.3	
28M/1007404	A27/JT	NUT, 1/2" BSF	2	—	C	C.3	

**CONTROLS
ENGINE CONTROLS IN CENTRE FUSELAGE**

Ref. No.	Part No.	Description						No. off	Matl Spec.	Cl. of Equip. M.R. L.M.	Plate No.
		1	2	3	4	5	6				
226	E.A1.47.223	TUBE,	CONTROL,	SHUT OFF	COCK AND	THROTTLE,	ASSEMBLY (PRE-MOD. 2621)	2	—	C	
32390	E.A9.47.209	TUBE,	CONTROL,	SHUT OFF	COCK AND	THROTTLE,	ASSEMBLY (MOD. 2621)	2	—	C	C.3
	E.A1.47.219	Spares for:—									
	E.A1.47.219	EYE-END	1	—	—	C.3
		Attaching parts for E.A1.47.219:—									
28P/9524884	SP.28/G6	Pin, taper	2	—	C	
34096	E.A3.47.53	FORK-END	1	—	C	C.3
32079	EEAS.234	PLUG-END	1	—	C	C.3
		Attaching parts for EEAS.234:—									
28P/9524884	SP.28/G6	Pin, taper	2	—	C	
227	E.A1.47.225	TUBE,	CONTROL,	INTERMEDIATE,	AFT OF	FRAME 13,	ASSEMBLY (PRE-MOD. 5028)	2	—	C	C.3
6119119	E.A3.47.115	TUBE,	CONTROL,	INTERMEDIATE,	AFT OF	FRAME 13,	ASSEMBLY (MOD. 5028)	2	—	C	
		Spares for:—									
	E.A1.47.219	EYE-END	1	—	—	C.3
1118	EEAS.53	EYE-END,	assembly (Pre-Mod. 5028)	1	—	C	C.3
	E.A3.47.163	EYE-END,	assembly (Mod. 5028)	1	—	MR	
		Attaching parts for eye-end:—									
28P/9524884	SP.28/G6	Pin, taper	2	—	C	
228	E.A1.47.227	TUBE,	CONTROL,	INTERMEDIATE,	THROTTLE	AND SHUT-OFF	COCK, ASSEMBLY (PRE-MOD. 5028)	4	—	C	C.3
6119120	E.A3.47.117	TUBE,	CONTROL,	INTERMEDIATE,	THROTTLE	AND SHUT-OFF	COCK, ASSEMBLY (MOD. 5028)	4	—	C	
		Spares for:—									
1118	EEAS.53	EYE-END,	assembly (Pre-Mod. 5028)	1	—	C	C.3
	E.A3.47.163	EYE-END,	assembly (Mod. 5028)	1	—	MR	
1116	EEAS.51	FORK END	1	—	C	C.3
		Attaching parts for eye/fork-end:—									
28P/9524884	SP.28/G6	Pin, taper	2	—	C	
229	E.A1.47.229	TUBE,	CONTROL,	CONNECTING,	AT FRAME 16,	ASSEMBLY (PRE-MOD. 2621)		4	—	C	
32391	E.A4.47.535	TUBE,	CONTROL	CONNECTING,	TO LEVER AT	FRAME 16,	ASSEMBLY (MOD. 2621)	4	—	C	C.3
		Spares for:—									
1115	EEAS.50	FORK-END,	adjustable	1	—	C	C.3
1116	EEAS.51	FORK-END,	fixed	1	—	C	C.3
32079	EEAS.234	PLUG, end	1	—	C	C.3
		Attaching parts for EEAS.51 and EEAS.234:—									
28P/9524884	SP.28/G6	Pin, taper	2	—	C	
230	E.A1.47.231	TUBE,	CONTROL,	TRANSVERSE,	LEVER CON-	NECTING (PRE-MOD. 2621)		4	—	C	
32392	E.A4.47.529	TUBE,	CONTROL,	TRANSVERSE,	LEVER CON-	NECTING (MOD. 2621) (PRE-MOD. 5028)		4	—	C	C.3
6119133	E.A4.47.575	TUBE,	CONTROL,	TRANSVERSE,	LEVER CON-	NECTING (MOD. 5028)		4	—	C	
		Spares for:—									
1118	EEAS.53	EYE-END	(Pre-Mod. 5028)	1	—	C	C.3
	E.A3.47.163	EYE-END	(Mod. 5028)	1	—	MR	
		Attaching parts for EEAS.53 or E.A3.47.163:—									
28P/9524884	SP.28/G6	Pin, taper	2	—	C	

CONTROLS
ENGINE CONTROLS IN CENTRE FUSELAGE

Ref. No.	Part No.	Description						No. off	Matl Spec.	Cl. of Equip. M.R. L.M.	Plate No.
		1	2	3	4	5	6				
1115	EEAS.50	FORK-END						1	—	C	C.3
32079	EEAS.234	PLUG, end						1	—	C	C.3
28P/9524884	SP.28/G6	Attaching parts for EEAS.234:— Pin, taper						2	—	C	
231	E.A1.47.233	TUBE, CONTROL, TRANSVERSE, CENTRE, AT FRAME 13, ASSEMBLY Spares for:—						2	—	C	C.3
1116	EEAS.51	FORK-END						2	—	C	C.3
28P/9524884	SP.28/G6	Attaching parts for EEAS.51:— Pin, taper						2	—	C	
232	E.A1.47.249	TUBE, CONTROL, BETWEEN OPERATING LEVER AND INTERMEDIATE CONTROL TUBE (PRE-MOD. 2621)						2	—	C	
32393	E.A4.47.531	TUBE, CONTROL, BETWEEN OPERATING LEVER AND INTERMEDIATE CONTROL TUBE (MOD. 2621) (PRE-MOD. 5028)						2	—	C	C.3
6119134	E.A4.47.577	TUBE, CONTROL, BETWEEN OPERATING LEVER AND INTERMEDIATE CONTROL TUBE (MOD. 5028) Spares for:—						2	—	C	
1118	EEAS.53	EYE-END (Pre-Mod. 5028)						1	—	C	C.3
	E.A3.47.163	EYE-END (Mod. 5028)						1	—	MR	
28P/9524884	SP.28/G6	Attaching parts for EEAS.53 or E.A3.47.163:— Pin, taper						2	—	C	
34096	E.A3.47.53	FORK-END, adjustable						1	—	C	C.3
32079	EEAS.234	PLUG, end						1	—	C	C.3
28P/9524884	SP.28/G6	Attaching parts for EEAS.234:— Pin, taper						2	—	C	
220	EEAS.12/1	Attaching parts for control tubes:— Bolt, special						2	S.96	C	C.3
1122	EEAS.63	Nut, special						2	S.96	C	C.3
28P/9486478	SP.90/C5	Pin, split						2	—	C	
7732	EEAS.28/3DU	Washer						2	—	C	C.3
28W/9419475	SP.15/C	Washer						2	—	C	

**CONTROLS
ENGINE CONTROLS IN NOSE FUSELAGE**

Ref. No.	Part No.	Description	No. off	Matl Spec.	Cl. of Equip.	Plate No.
					M.R. L.M.	
	E.G4.47.103	CONTROLS, ENGINE IN NOSE FUSELAGE ASSEMBLY (MOD. 4799)	—	—	—	
	E.G4.47.113	BOX, THROTTLE CONTROL (MOUNTING) (MOD. 4799)	—	—	—	
	E.G4.47.105	BOX, THROTTLE CONTROL, ASSEMBLY (SRIM 3533) (MOD. 4799) (Make from E.B7.47.29 Ref. 32917)	1	—	—	
20622	E.B7.81.1589	BRACKET, cable clip Attaching parts for E.B7.81.1589:—	1	—	C	C.2
28D/1010658	A25/1B	Bolt, 4 BA	2	—	C	
28M/1278189	AGS.2001/B/1	Nut, 4 BA	2	—	C	
6197	E.A1.47.165	BRACKET, microswitch Attaching parts for E.A1.47.165:—	1	—	C	
28D/1008149	A25/2B	Bolt, 4 BA	4	—	C	
28M/1278189	AGS.2001/B/1	Nut, 4 BA	4	—	C	
28W/9419474	SP.15/B	Washer	4	—	C	
121	E.A1.47.173	BUSH, tapped, shut off cock, lever locking ...	1	DTD.126A	C	C.2
122	E.A1.47.293	BUSH, tapped, throttle, lever locking ...	1	DTD.126A	C	C.2
	—	CABLE, FROM RELIGHT AND U/C WARNING SWITCHES ASSEMBLY	1	—	—	
		Consisting of:—				
5E/4182	†	CABLE, Uninyvin 22	QR	—	C	
5E/4183	†	CABLE, Uninyvin 20	QR	—	C	
5617	EEAS.111/4	FERRULE	1	—	C	
10H/0970060	†	GASKET	1	—	C	
10H/0560400	†	PLUG, Mk. 4, 25-way	1	—	C	
10H/0970067	†	OUTLET, straight	1	—	C	
5X/6488	CZ.23144/B	RING, clamp	1	—	C	
10H/0970090	†	RING, sealing	1	—	C	
	E.A1.47.137	CASTING, throttle box	1	Mag. Alloy	—	C.2
28E/1201828	AS.3180/11B	CLIP, cable	1	—	C	
		Attaching parts for AS.3180/11B:—				
28M/1278189	AGS.2001/B/1	Nut, 4 BA	1	—	C	
28S/9419435	A31/B12	Screw, 4 BA	1	—	C	
6195	E.A1.47.159	KNOB, shut off, cock lever, locking ...	1	L.62	C	C.2
6194	E.A1.47.157	KNOB, throttle lever, locking ...	1	L.62	C	C.2
20124	E.A3.81.1971	KNOB, shut off, cock lever, L.H. (Red) ...	1	—	C/MR	C.2
20125	E.A3.81.1972	KNOB, shut off, cock lever, R.H. (Green) ...	1	—	C/MR	C.2
		Attaching parts for E.A3.81.1971 and E.A3.81.1972:—				
28S/9535715	A33/B16	Screw, 4 BA	1	—	C	
28S/9435717	A33/C20	Screw, 2 BA	1	—	C	
21309	AS.1908/C	KNOB, throttle control lever, R.H. (Red) ...	1	—	C	C.2
		Attaching parts for AS.1908/C:—				
28M/1006473	A27/CT	Nut, 2 BA	1	—	C	
28S/9135205	A33/C2B	Screw, 2 BA	1	—	C	
3373	E.A3.47.99	LEVER, shut off cock, control, L.H. (Pre-Mod. 5028)	1	—	C	
	E.A3.47.139	LEVER, shut off cock, control, L.H. (Mod. 5028)	1	—	MR	C.2
3374	E.A3.47.100	LEVER, shut off cock, control, R.H. (Pre-Mod. 5028)	1	—	C	
	E.A3.47.140	LEVER, shut off cock, control, R.H. (Mod. 5028)	1	—	MR	C.2

CONTROLS

ENGINE CONTROLS IN NOSE FUSELAGE

Ref. No.	Part No.							Description	No. off	Matl Spec.	Cl. of Equip.	Plate No.
		1	2	3	4	5	6				M.R. L.M.	
3371	E.A3.47.77							LEVER, throttle control, L.H. (Pre-Mod. 5028)	1	—	C	
6119129	E.A3.47.137							LEVER, throttle control, L.H. (Mod. 5028) ...	1	—	C	C.2
3372	E.A3.47.78							LEVER, throttle control, R.H. (Pre-Mod. 5028)	1	—	C	
6119153	E.A3.47.138							LEVER, throttle control, R.H. (Mod. 5028) ...	1	—	C	C.2
28M/9403520	A27/CP							NUT, 2 BA, for lever stop screw ...	8	—	C	
5618	E.A1.47.295							PIN, special, shut off, cock control lever clamp	1	L.65	C	C.2
								Attaching parts for E.A1.47.295:—				
28M/1011477	A27/NP							Nut, 1/2" BSF (Drill for split pin) ...	1	—	C	
28P/9560929	SP.90/E8							Pin, split ...	1	—	C	
28W/9419479	SP.15/N							Washer ...	1	—	C	
6198	E.A1.47.297							PIN, special, throttle lever control clamp ...	1	L.65	C	C.2
25923	E.A1.47.303							PLATE, guard ...	1	—	C	C.2
								Attaching parts for E.A1.47.303:—				
28S/1200080	A32/B8							Screw, 4 BA ...	6	—	C	
28S/9992522	A32/B16							Screw, 4 BA ...	3	—	C	
28W/9416642	SP.47/B							Washer, spring ...	9	—	C	
3380	E.A3.47.91							PLATE, reaction, shut off cock, assembly ...	1	—	C	C.2
3381	E.A3.47.93							PLATE, reaction, shut off cock ...	1	—	C	C.2
3379	E.A3.47.87							PLATE, reaction, throttle control, assembly ...	1	—	C	C.2
3382	E.A3.47.101							PLATE, reaction, throttle control ...	1	—	C	C.2
								Attaching parts for E.A3.47.91, E.A3.47.93, E.A3.47.87 and E.A3.47.101:—				
28D/1010658	A25/1B							Bolt, 4 BA ...	1	—	C	
28M/1278189	AGS.2001/B/1							Nut, 4 BA ...	1	—	C	
28W/9419474	SP.15/B							Washer ...	1	—	C	
21233	E.A3.47.145							PLATE, locking, for bush ...	1	—	MR	C.2
								Attaching parts for E.A3.47.145:—				
28D/1007319	AS.1242/4B							Bolt, 4 BA ...	2	—	C	
28M/1086618	AGS.2002/B/1							Nut, 4 BA ...	2	—	C	
28W/9419465	SP.13/B							Washer ...	2	—	C	
20126	E.A3.81.1997							PLATE, switch protection ...	2	—	C	C.2
								Attaching parts for E.A3.81.1997:—				
28S/1013103	A44/Z8							Screw, 8 BA ...	3	—	C	
29C/1206039	AGS.2035/AA							Washer, shakeproof ...	3	—	C	
28S/1011492	A32/C28							SCREW, stop for levers ...	6	—	C	
28S/1220007	A32/C40							SCREW, stop for levers ...	2	—	C	
3377	E.A3.47.85							SHIM, at throttle levers (As required) ...	2	Lam. Alum.	C	C.2
3378	E.A3.47.103							SHIM, at shut off cock levers (As required) ...	2	Lam. Alum.	C	C.2
6173	E.A3.81.1995							SLEEVE, at relight switches ...	2	—	C	C.2
5CW/2007871	C.5162Y							SWITCH, relight, shut off cock levers ...	2	—	B	C.2
								Attaching parts for C.5162Y:—				
28S/1006961	A33/Z10							Screw, 8 BA ...	2	—	C	
29C/1206039	AGS.2035/AA							Washer, shakeproof ...	2	—	C	
5CW/9438275	†							SWITCH, micro, type 1A (Pre-Mod. 3562) ...	1	—	C	
5CW/9504373	†							SWITCH, micro (Mod. 3562) (Pre-Mod. 4080)	1	—	C	
5CW/1085884	†							SWITCH, limit, type 1.HY.1 (Mod. 4080) ...	1	—	B	
								Attaching parts for micro or limit switch:—				
28D/1011011	A25/8B							Bolt, 4 BA ...	2	—	C	
28M/1278189	AGS.2001/B/1							Nut, 4 BA ...	2	—	C	
29W/9419474	SP.15/B							Washer ...	2	—	C	

**CONTROLS
ENGINE CONTROLS IN NOSE FUSELAGE**

Ref. No.	Part No.	Description						No. off	Mati Spec.	Cl. of Equip. M.R. L.M.	Plate No.
		1	2	3	4	5	6				
	—	SWITCH, INTER-COM., ASSEMBLY, ON INBOARD THROTTLE LEVER						—	—	—	
		Spares for:—									
12819	E.B6.81.2345	COVER , switch						1	—	C	C.2
28D/1007319	AS.1242/4B	Attaching parts for E.B6.81.2345:— Bolt 4 BA						1	—	C	C.2
	SCC.78702/1	HOUSING , switch (SRIM.3533) (Mod. 4799) (Make from E.B6.81.2343 Ref. 12820)						1	—	—	C.2
	SCC.78702/2	PLATE , end (SRIM.3533) (Mod. 4799) ...						1	—	—	C.2
28S/9435715	A33/B16	Attaching parts for SCC.78702/2:— Screw, 4 BA						2	—	C	C.2
5CW/1933296	PAGE ENG. B1640	SWITCH , push (SRIM.3533) (Mod. 4799) ...						1	—	C	C.2
28S/9435715	A33/B16	Attaching parts for switch assembly:— Screw, 4 BA						1	—	C	C.2
28S/1200053	A33/C16	Screw, 2 BA						1	—	C	C.2
6206	E.A3.47.83	TUBE , bearing, at throttle levers						1	—	C	C.2
3375	E.A3.47.89	WASHER , special, friction, at shut off cock levers						2	Ferodo F.F.	C	C.2
3376	E.A3.47.81	WASHER , special, friction, at throttle levers ...						2	Ferodo F.F.	C	C.2
		Attaching parts for E.G4.47.105:—									
28D/9133011	A25/2C	Bolt, 2 BA						3	—	C	
28D/9137409	AS.1246/2C	Bolt, 1 BA						2	—	C	
28D/9140203	AS.1246/3C	Bolt, 2 BA						9	—	C	
28D/9710453	AS.1246/4C	Bolt, 2 BA						2	—	C	
28M/1278190	AGS.2001/C/1	Nut, 2 BA						5	—	C	
115	E.A1.47.245	CLAMP , grommet retaining, at pressure bulkhead						4	L.65	C	C.1
		Attaching parts for E.A1.47.245:—									
28D/9133012	A25/3C	Bolt, 2 BA						2	—	C	
28M/1278190	AGS.2001/C/1	Nut, 2 BA						2	—	C	
1023	E.A1.47.357	CLEAT , engine control support						2	L.65	C	C.1
		Attaching parts for E.A1.47.357:—									
28D/1010030	A25/7C	Bolt, 2 BA						3	—	C	
28M/1278190	AGS.2001/C/1	Nut, 2 BA						3	—	C	
2142	SIMMONDS CORSEY SP.15/7	CLIP , rigid, engine controls						28	—	C	C.1
		Attaching parts for SP.15/7:—									
28D/9140644	A25/9C	Bolt, 2 BA						1	—	C	
28M/1278190	AGS.2001/C/1	Nut, 2 BA						1	—	C	
8552	E.B6.47.5	Packing (at frame 10 only)						1	—	C	
8553	E.B6.47.7	Packing (at frame 10 only)						1	—	C	
2143	SIMMONDS CORSEY SP.15/10	CLIP , rigid, engine controls						2	—	C	C.1
		Attaching parts for SP.15/10:—									
28D/1011245	A25/10E	Bolt, 1" BSF						1	—	C	
28M/9480017	AGS.2001/E/1/66	Nut, 1" BSF						1	—	C	
116	E.A1.47.251	CONTROL , engine, fuel, shut off cock, L.H. (Simmonds Corsey, No. 7)						1	—	C	C.1
117	E.A1.47.253	CONTROL , engine, throttle, L.H. (Simmonds Corsey, No. 7)						1	—	C	C.1

**CONTROLS
ENGINE CONTROLS IN NOSE FUSELAGE**

Ref. No.	Part No.	Description						No. off	Matl Spec.	Cl. of Equip. M.R. L.M.	Plate No.
		1	2	3	4	5	6				
118	E.A1.47.255	CONTROL , engine, fuel, shut off cock, R.H. (Simmonds Corsey, No. 7)						1	—	C	C.1
119	E.A1.47.257	CONTROL , engine, throttle, R.H. (Simmonds Corsey, No. 7)						1	—	C	C.1
		Attaching parts for E.A1.47.251, E.A1.47.253, E.A1.47.255 and E.A1.47.257:—									
28N/9153393	AGS.899/4	Collar	1	—	C	
28P/867	SP.4Y/D9	Pin, shackle	1	—	C	
28P/9527619	SP.90/C7	Pin, split	1	—	C	
5X/4491348	Z.11809	GROMMET , at pressure bulkhead						4	—	C	C.1
	E.A1.47.217	SUPPORT , engine control, frame 12						1	—	C	C.1

**CONTROLS
ENGINE CONTROLS IN WING, PORT**

Ref. No.	Part No.	Description	No. off	Matl Spec.	Cl. of Equip.	Plate No.
					M.R. L.M.	
		1 2 3 4 5 6				
	E.B6.47.293	CONTROLS, ENGINE, IN WING, PORT, ASSEMBLY	—	—	—	
		Spares for:—				
27275	E.B7.47.41	LEVER, CONTROL, CONNECTING, ENGINE CONTROLS, ASSEMBLY (PRE-MOD. 5028)	1	—	B	C.4
	E.B7.47.103	LEVER, CONTROL, CONNECTING, ENGINE CONTROLS, ASSEMBLY (MOD. 5028)	1	—	—	
		Spares for:—				
2A/9501177	SKEFKO EE.4	BEARING, ballrace	1	—	C	
2A/9501178	SKEFKO EE.5	BEARING, ballrace	1	—	C	
28N/13510	HOFFMANN CJ.0	BEARING, spherical	2	—	C	C.4
	E.A1.47.61	COVER, bearing	1	L.64	—	
	E.A1.47.57	CUP, lever mounting	1	L.64	—	
	E.A1.47.63	CUP, lever mounting	1	—	—	
	E.B7.47.39	LEVER, control (Pre-Mod. 5028)	1	L.88	—	C.4
	E.B7.47.107	LEVER, control (Mod. 5028)	1	—	—	
	E.A9.47.123	LEVER, control (Pre-Mod. 5028)	1	L.88	—	C.4
	E.B7.47.105	LEVER, control (Mod. 5028)	1	—	—	
28M/1011467	A27/ES	NUT, 1/4" BSF	1	—	C	
28P/9527619	SP.90/C7	PIN, split	1	—	C	
	E.A1.47.55	PLATE, bearing cover	1	L.64	—	
	E.A1.47.59	SLEEVE, spacing	1	L.64	—	C.4
21659	E.A1.47.53	SPINDLE, control	1	L.65	C	C.4
25997	E.A1.47.65	WASHER, clamping	1	L.64	C	C.4
		Attaching parts for E.B7.47.41 or E.B7.47.103:—				
28P/19241	SP.90/G16	Pin, split	1	—	C	
	13203	LEVER, CONTROL, CONNECTING, ENGINE CONTROLS, ASSEMBLY (PRE-MOD. 5028)	1	—	B	C.4
	E.B7.47.95	LEVER, CONTROL, CONNECTING, ENGINE CONTROLS, ASSEMBLY (MOD. 5028)	1	—	—	
		Spares for:—				
22754	E.A9.47.103	BOLT, special	1	DTD.683	C	C.4
22749	E.A9.47.97	BRACKET, mounting	1	L.53	C	C.4
22756	E.A9.47.107	BUSH, tapped	1	S.1	C	C.4
27276	E.B7.47.45	LEVER, CONTROL, ASSEMBLY (PRE-MOD. 5028)	1	—	B	C.4
	E.B7.47.97	LEVER, CONTROL, ASSEMBLY (MOD. 5028) ...	1	—	—	
		Spares for:—				
2A/9501178	SKEFKO EE.5	BEARING, ballrace	2	—	C	C.4
28N/13510	HOFFMANN CJ.0	BEARING, spherical	2	—	C	C.4
28N/2001691	AGS.2030/23	CIRCLIP, internal	1	—	C	
	E.A9.47.111	HOUSING, bearing	1	S.1	—	
	E.A9.47.119	LEVER (Pre-Mod. 5028)	1	S.514	—	
	E.B7.47.99	LEVER (Mod. 5028)	1	S.514	—	
	E.B7.47.43	LEVER (Pre-Mod. 5028)	1	S.514	—	
	E.B7.47.101	LEVER (Mod. 5028)	1	S.514	—	
28N/9156370	SP.21	NIPPLE, lubrication	1	—	C	
	E.A9.47.21	PIECE, distance	1	DTD.683	—	C.4
22750	E.A9.47.99	LEVER, CONTROL, ASSEMBLY (PRE-MOD. 5028)	1	—	B	C.4
	E.B7.47.109	LEVER, CONTROL, ASSEMBLY (MOD. 5028) ...	1	—	—	
		Spares for:—				
2A/9501178	SKEFKO EE.5	BEARING, ballrace	2	—	C	C.4
28N/13510	HOFFMANN CJ.0	BEARING, spherical	2	—	C	C.4
28N/2001691	AGS.2030/23	CIRCLIP, internal	1	—	C	

CONTROLS
ENGINE CONTROLS IN WING, PORT

Ref. No.	Part No.						Description	No. off	Matl Spec.	Cl. of Equip. M.R. L.M.	Plate No.
		1	2	3	4	5					
	E.A9.47.111							S.1	—		
	E.A9.47.113							S.514	—		
	E.B7.47.111							S.514	—		
	E.A9.47.115							S.514	—		
	E.B7.47.113							S.514	—		
28N/9156370	SP.21							—	C		
	E.A9.47.121							DTD.683	—	C.4	
28W/14183	AS.1503/E12							—	C		
28R/16133	AGS.575/A							—	C		
22755	E.A9.47.105							DTD.683	C	C.4	
22757	E.A9.47.109							DTD.683	C	C.4	
5621	E.A6.47.139							—	B	C.4	
28D/1200119	A25/4C							—	C		
28D/1011238	A25/3E							—	C		
28D/1008151	A25/4E							—	C		
28M/1278190	AGS.2001/C/1							—	C		
28M/1011467	A27/ES							—	C		
28P/9527619	SP.90/C7							—	C		
28W/9419405	SP.15/E							—	C		
22765	E.A9.47.169							L.72	C	C.4	
13201	E.B7.47.31							—	B		
34096	E.A3.47.53							—	C		
28M/1007404	A.27/JT							—	C		
32398	E.B7.47.83							—	C	C.4	
34096	E.A3.47.53							—	C	C.4	
32079	EEAS.234							—	C	C.4	
13202	E.B7.47.37							—	B	C.4	
	E.B7.47.89							—	—		
28N/13510	HOFFMANN CJ.0							—	C	C.4	
	E.A3.47.49							—	—	C.4	
28M/1007403	A27/ET							—	C		
12165	E.A9.47.89							—	C	C.4	
12166	E.A9.47.91							—	C	C.4	
220	EEAS.12/1							S.96	C	C.4	
12162	E.A9.47.173							—	C	C.4	
1122	EEAS.63							S.96	C	C.4	
28P/9527619	SP.90/C7							—	C		
28W/9419476	SP.15/G							—	C		
7732	EEAS.28/3/DU							—	C	C.4	

CONTROLS
ENGINE CONTROLS IN WING, STARBOARD

Ref. No.	Part No.	Description						No. off	Matl Spec.	Cl. of Equip. M.R. L.M.	Plate No.
		1	2	3	4	5	6				
	E.B6.47.295	CONTROLS, ENGINE, IN WING, STARBOARD, ASSEMBLY						—	—	—	
		Spares for:—									
27275	E.B7.47.41	LEVER, CONTROL, CONNECTING, ENGINE CONTROLS, ASSEMBLY (PRE-MOD. 5028)						1	—	B	C.5
	E.B7.47.103	LEVER, CONTROL, CONNECTING, ENGINE CONTROLS, ASSEMBLY (MOD. 5028)						1	—	—	
		Spares for:—									
2A/9501177	SKEFKO EE.4	BEARING, ballrace						1	—	C	
2A/9501178	SKEFKO EE.5	BEARING, ballrace						1	—	C	
	HOFFMANN										
28N/13510	CJ.0	BEARING, spherical						2	—	C	C.5
	E.A1.47.61	COVER, bearing						1	L.64	—	
	E.A1.47.57	CUP, lever mounting						1	L.64	—	
	E.A1.47.63	CUP, lever mounting						1	—	—	
	E.B7.47.39	LEVER, control (Pre-Mod. 5028)						1	L.88	—	C.5
	E.B7.47.107	LEVER, control (Mod. 5028)						1	—	—	
	E.A9.47.123	LEVER, control (Pre-Mod. 5028)						1	L.88	—	C.5
	E.B7.47.105	LEVER, control (Mod. 5028)						1	—	—	
28M/1011467	A27/ES	NUT, 1/4" BSF						1	—	C	
28P/9527619	SP.90/C7	PIN, split						1	—	C	
	E.A1.47.55	PLATE, bearing cover						1	L.64	—	
	E.A1.47.59	SLEEVE, spacing						1	L.64	—	C.5
	E.A1.47.53	SPINDLE, control						1	L.65	—	C.5
25997	E.A1.47.65	WASHER, clamping						1	L.64	C	C.5
		Attaching parts for E.B7.47.41 or E.B7.47.103:—									
28P/19241	SP.90/G16	Pin, split						1	—	C	
659	E.A1.47.18	LEVER, ASSEMBLY, CONTROLS, INBOARD ENGINE RIB (PRE-MOD. 5028)						1	—	B	C.5
	E.A3.47.177	LEVER, ASSEMBLY, CONTROLS, INBOARD ENGINE RIB (MOD. 5028)						1	—	—	
		Spares for:—									
2A/9500415	HOFFMANN CS.5	BEARING, ballrace, outboard						2	—	C	
2A/9500420	HOFFMANN T.21	BEARING, ballrace, inboard						2	—	C	
	E.A1.47.35	BOSS, throttle lever						1	—	—	
	E.A1.47.20	BRACKET, assembly						1	—	—	
28N/13510	HOFFMANN CJ.0	JOINT, self aligning						4	—	C	
	E.A1.47.25	LEVER, control, shut-off cock (Pre-Mod. 5028)						1	L.72	—	
	E.A3.47.179	LEVER, control, shut-off cock (Mod. 5028)						1	L.72	—	
	E.A1.47.27	LEVER, control, shut-off cock (Pre-Mod. 5028)						1	L.72	—	
	E.A3.47.181	LEVER, control, shut-off cock (Mod. 5028)						1	L.72	—	
	E.A1.47.21	LEVER, control, throttle (Pre-Mod. 5028)						1	L.72	—	
	E.A3.47.183	LEVER, control, throttle (Mod. 5028)						1	L.72	—	
4142	E.A1.47.23	LEVER, control, throttle (Pre-Mod. 5028)						1	L.72	C	
	E.A3.47.185	LEVER, control, throttle (Mod. 5028)						1	L.72	—	
	E.A1.47.33	SLEEVE, bearing						1	—	—	
	E.A1.47.31	SLEEVE, flanged						1	—	—	
	E.A1.47.29	SPINDLE, main						1	—	—	
		Attaching parts for E.A1.47.18 or E.A3.47.177:—									
28D/7002428	A25/6C	Bolt, 2 BA						2	—	C	
28D/1008151	A25/4E	Bolt, 1/4" BSF						1	—	C	
28D/1011242	A25/7E	Bolt, 1/4" BSF						1	—	C	
1122	EEAS.63	Nut, special						2	S.96	C	C.5
28M/1011467	A27/ES	Nut, 1/4" BSF						2	—	C	
28P/9527619	SP.90/C7	Pin, split						4	—	C	
28W/9419475	SP.15/C	Washer						2	—	C	
28W/9419405	SP.15/E	Washer						2	—	C	

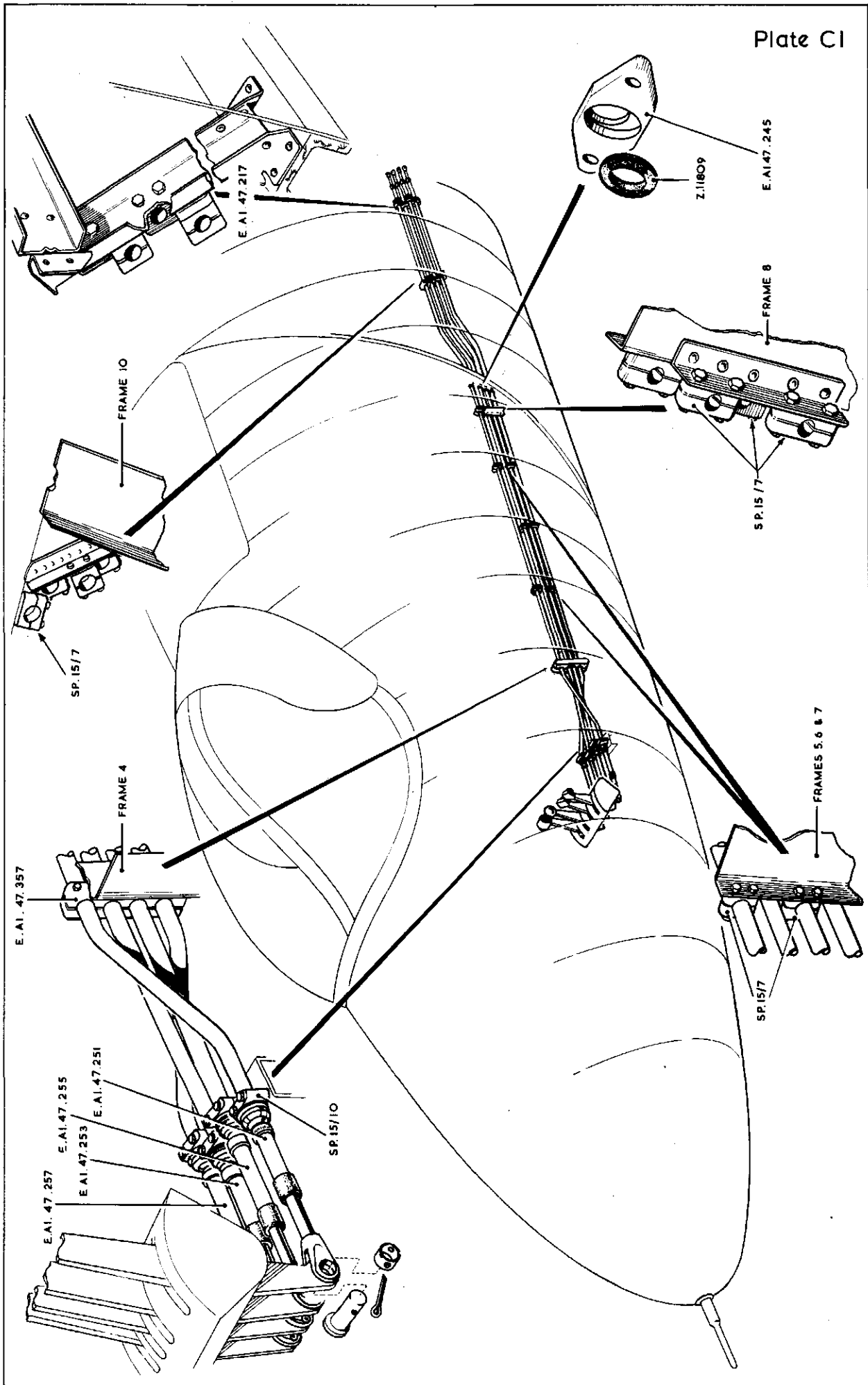
**CONTROLS
ENGINE CONTROLS IN WING, STARBOARD**

Ref. No.	Part No.	Description						No. off	Matl Spec.	Cl. of Equip. M.R. L.M.	Plate No.
		1	2	3	4	5	6				
22747	E.A9.47.82	LEVER, CONTROL, CONNECTING, ENGINE CONTROLS, ASSEMBLY (PRE-MOD. 5028)					1	—	B	C.5	
	E.B7.47.116	LEVER, CONTROL, CONNECTING, ENGINE CONTROLS, ASSEMBLY (MOD. 5028)					1	—	—		
		Spares for:—									
22754	E.A9.47.103	BOLT, special					1	DTD.683	C	C.5	
38050	E.A9.47.98	BRACKET, mounting					1	DTD.300	C	C.5	
22756	E.A9.47.107	BUSH, capped					1	S.1	C	C.5	
22751	E.A9.47.100	LEVER, CONTROL, ASSEMBLY (PRE-MOD. 5028)					1	—	B	C.5	
	E.B7.47.110	LEVER, CONTROL, ASSEMBLY (MOD. 5028) ...					1	—	—		
		Spares for:—									
2A/9501178	SKEFKO EE.5	BEARING, ballrace					2	—	C	C.5	
	HOFFMANN										
28N/13510	CJ.0	BEARING, spherical					2	—	C	C.5	
28N/2011691	AGS.2030/23	CIRCLIP, internal					1	—	C		
	E.A9.47.112	HOUSING, bearing					1	S.1	—		
	E.A9.47.114	LEVER, control (Pre-Mod. 5028)					1	S.514	—		
	E.B7.47.112	LEVER, control (Mod. 5028)					1	S.514	—		
	E.A9.47.116	LEVER, control (Pre-Mod. 5028)					1	S.514	—		
	E.B7.47.114	LEVER, control (Mod. 5028)					1	S.514	—		
28N/9156370	SP.21	NIPPLE, lubrication					1	—	C		
	E.A9.47.121	PIECE, distance					1	DTD.683	—	C.5	
28W/14183	AS.1903/E12	WASHER, saddle					1	—	C		
	22753	LEVER, CONTROL, ASSEMBLY (PRE-MOD. 5028)					1	—	B	C.5	
	E.B7.47.118	LEVER, CONTROL, ASSEMBLY (MOD. 5028) ...					1	—	—		
		Spares for:—									
2A/9501178	SKEFKO EE.5	BEARING, ballrace					2	—	C	C.5	
	HOFFMANN										
28N/13510	CJ.0	BEARING, spherical					2	—	C	C.5	
28N/2011691	AGS.2030/23	CIRCLIP, internal					1	—	C		
	E.A9.47.112	HOUSING, bearing					1	S.1	—		
	E.A9.47.118	LEVER, control (Pre-Mod. 5028)					1	S.514	—		
	E.B7.47.120	LEVER, control (Mod. 5028)					1	S.514	—		
	E.A9.47.120	LEVER, control (Pre-Mod. 5028)					1	S.514	—		
	E.B7.47.100	LEVER, control (Mod. 5028)					1	S.514	—		
28N/9156370	SP.21	NIPPLE, lubrication					1	—	C		
	E.A9.47.121	PIECE, distance					1	DTD.683	—	C.5	
28W/14183	AGS.1903/E12	WASHER, saddle					1	—	C		
	22755	WASHER, clamping					2	DTD.683	C	C.5	
	22757	WASHER, distance					1	DTD.683	C	C.5	
		Attaching parts for E.A9.47.82 or E.B7.47.116:—									
28D/1200119	A25/4C	Bolt, 2 BA					4	—	C		
28M/1278190	AGS.2001/C/1	Nut, 2 BA					4	—	C		
	22765	Washer, packing					4	—	C	C.5	
13201	E.B7.47.31	TUBE, CONTROL, FROM FUSELAGE TO CONTROL LEVER ASSEMBLY AT RIB 2, ASSEMBLY (PRE-MOD. 2621)					2	—	B		
		Spares for:—									
34096	E.A3.47.53	FORK-END, adjustable					1	—	C		
28M/1007404	A27/JT	NUT, lock, 3/8" BSF					1	—	C		
32398	E.B7.47.83	TUBE, CONTROL, FROM FUSELAGE TO CONTROL LEVER ASSEMBLY AT RIB 2, ASSEMBLY (MOD. 2621)					2	—	C	C.5	
		Spares for:—									
34096	E.A3.47.53	FORK-END, adjustable					1	—	C	C.5	
32079	EEAS.234	PLUG, end					1	—	C	C.5	

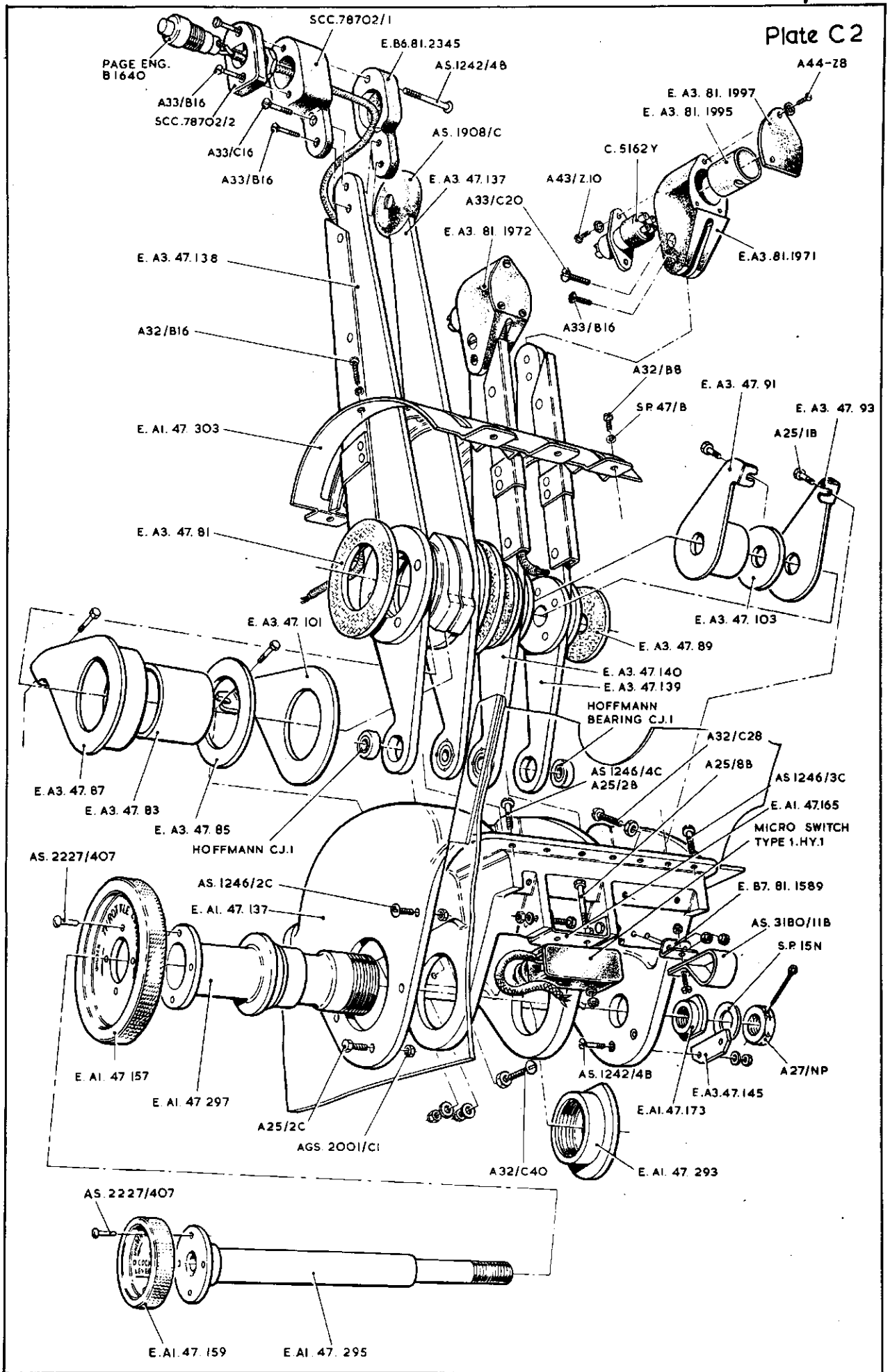
CONTROLS
ENGINE CONTROLS IN WING, STARBOARD

Ref. No.	Part No.	Description						No. off	Matl Spec.	Cl. of Equip. M.R. L.M.	Plate No.
		1	2	3	4	5	6				
12168	E.A9.47.93	TUBE	control, intermediate control lever to engine control					1	—	C	C.5
12169	E.A9.47.95	TUBE	control, intermediate control lever to engine control					1	—	C	C.5
13202	E.B7.47.37	TUBE	CONTROL, FROM CONTROL LEVER ASSEMBLY AT RIB 2 TO INTERMEDIATE CONTROL TUBE, ASSEMBLY (PRE-MOD. 5028)					2	—	B	C.5
	E.B7.47.89	TUBE	CONTROL, FROM CONTROL LEVER ASSEMBLY AT RIB 2 TO INTERMEDIATE CONTROL TUBE, ASSEMBLY (MOD. 5028)					2	—	—	
	HOFFMANN	Spares for:—									
28N/13510	CJ.0	BEARING	spherical					1	—	C	C.5
	E.A3.47.49	FORK-END	adjustable					1	—	—	C.5
28M/1007403	A27/ET	NUT	lock, 1/4" BSF					1	—	C	
	220	Attaching parts for control tubes:—									
	12162	Bolt, special	(as required)					2	S.96	C	C.5
	1122	Bolt, special	(as required)					2	—	C	C.5
	28P/9527619	Nut, special						2	S.96	C	C.5
	28W/9419475	Pin, split						2	—	C	
	7732	Washer						2	—	C	
	EEAS.28/3/DU	Washer						2	—	C	C.5

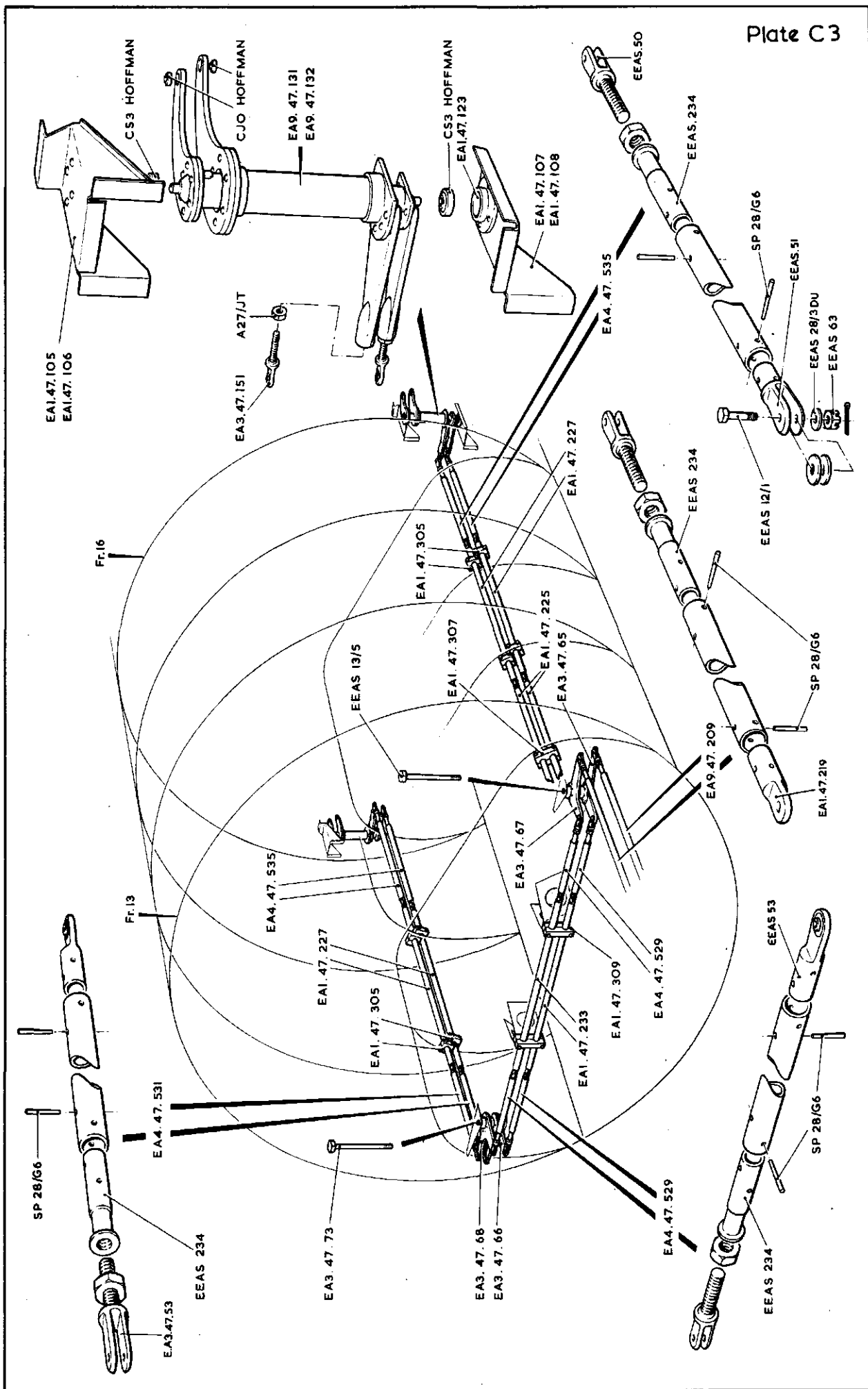
Plate CI



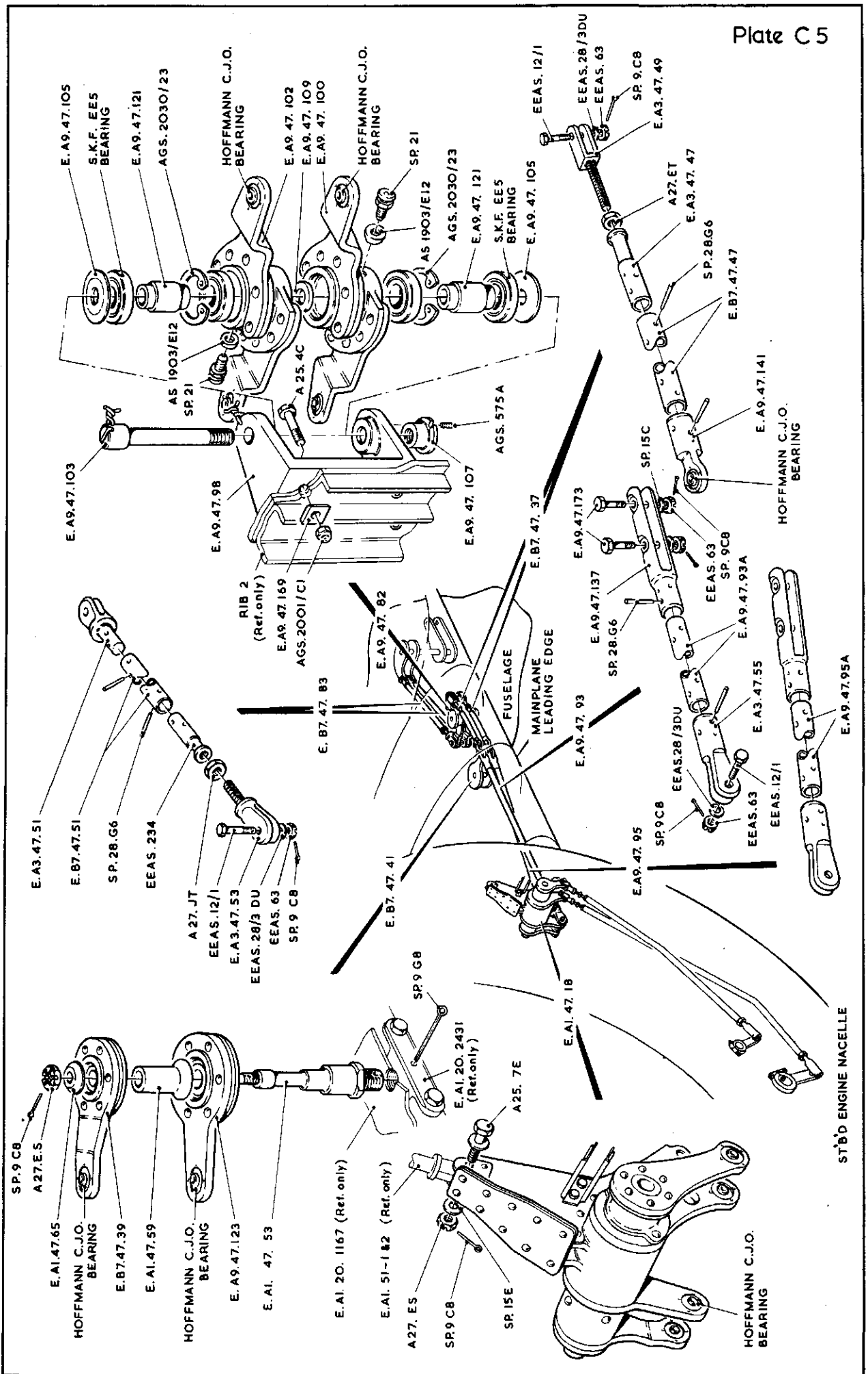
ENGINE CONTROLS- FRONT FUSELAGE



PILOT'S THROTTLE BOX



CONTROLS ENGINE, CENTRE FUSELAGE



CONTROLS ENGINE, STARBOARD MAIN PLANE

This file was downloaded
from the RTFM Library.

Link: www.scottbouch.com/rtfm

Please see site for usage terms,
and more aircraft documents.

