

**EQUIPMENT AIRCRAFT
PRESSURE CABIN EQUIPMENT**

| Ref. No. | Part No. | Description | | | | | | No. off | Matl Spec. | Cl. of Equip. M.R. L.M. | Plate No. |
|--------------|--------------|--|---|---|---|---|---|---------|------------|-------------------------------|-----------|
| | | 1 | 2 | 3 | 4 | 5 | 6 | | | | |
| | E.G4.80.1301 | PRESSURE CABIN EQUIPMENT, GROUP (MOD. 4799) | | | | | | — | — | — | |
| | | Spares for:— | | | | | | | | | |
| | E.A3.83.179 | BAGS, STOWAGE, FLAP AND UNDERCARRIAGE SWITCH LOCKS, GROUP | | | | | | — | — | — | |
| | | Spares for:— | | | | | | | | | |
| 8969 | E.A3.83.173 | BAG , stowage, flap switch locking pin | | | | | | 1 | — | C | |
| 22167 | E.A3.83.295 | BAG , stowage, undercarriage switch locking pin | | | | | | 1 | — | C | |
| | | Attaching parts for E.A3.83.173 or E.A3.83.295:— | | | | | | | | | |
| 28M/1278189 | AGS.2001/B/1 | Nut, 4 BA | | | | | | 1 | — | C | |
| 4202 | E.A3.81.1165 | Stud, assembly | | | | | | 1 | — | C | |
| 28W/9419474 | SP.15/B | Washer | | | | | | 1 | — | C | |
| 5CW/4400997 | E.A3.83.175 | LOCK, FLAP SWITCH, ASSEMBLY | | | | | | 1 | — | C | |
| | | Spares for:— | | | | | | | | | |
| 28FP/1200982 | AVDEL A.415 | PIN , quick release | | | | | | 1 | — | C | |
| 22168 | E.A3.83.299 | LOCK , undercarriage switch | | | | | | 1 | — | C | |
| | E.B6.83.111 | CAMERA CONTROL BOX MOUNTING, STRUCTURE | | | | | | — | — | — | |
| | | Spares for:— | | | | | | | | | |
| | E.B6.83.79 | CHANNEL , front, assembly | | | | | | 1 | L.72 | — | |
| | E.B6.83.113 | PLATE , mounting, assembly | | | | | | 1 | L.72 | — | |
| | E.G4.83.315 | CAMERA MOUNTING, INSTALLATION (MOD. 4799) | | | | | | — | — | — | |
| | | Spares for:— | | | | | | | | | |
| | E.B6.83.53 | MOUNTING, CAMERA, ASSEMBLY | | | | | | 1 | — | — | |
| | | Spares for:— | | | | | | | | | |
| 33387 | E.B6.83.65 | BRACKET , camera, left hand | | | | | | 1 | L.72 | C | |
| 33388 | E.B6.83.67 | BRACKET , camera, right hand | | | | | | 1 | L.72 | C | |
| | | Attaching parts for E.B6.83.65 or E.B6.83.67:— | | | | | | | | | |
| 28D/9133011 | A25/2C | Bolt, 2 BA | | | | | | 3 | — | C | |
| 28W/9419402 | SP.13/C | Washer | | | | | | 3 | — | C | |
| | E.B6.83.55 | SCREW, THUMB, ASSEMBLY | | | | | | 4 | — | — | |
| | | Consisting of:— | | | | | | | | | |
| 5K/2863 | † | BRAID , copper, 1/8" | | | | | | QR | — | C | |
| 33386 | E.B6.83.57 | SCREW , thumb, brass | | | | | | 1 | — | C | |
| 5X/6988 | † | TERMINAL , 4 BA | | | | | | 1 | — | C | |
| 30B/573 | † | WIRE , copper, 28 SWG | | | | | | QR | — | C | |
| | | Attaching parts for E.B6.83.55:— | | | | | | | | | |
| 28D/1007982 | AS.1248/1C | Bolt, 2 BA | | | | | | 7 | — | C | |
| | E.B6.83.103 | PANEL, ACCESS, FOR AIR DRIER TUBE, INSTALLATION (MOD. 3143) | | | | | | — | — | — | |
| | | Spares for:— | | | | | | | | | |
| | E.A3.10.1583 | PANEL, ACCESS | | | | | | 1 | — | — | |
| | | Attaching parts for E.A3.10.1583:— | | | | | | | | | |
| 28D/9436920 | A25/1C | Bolt, 2 BA | | | | | | 2 | — | C | |
| 28D/1007981 | AS.1248/1C | Bolt, 2 BA | | | | | | 4 | — | C | |
| 28W/9419475 | SP.15/C | Washer | | | | | | 2 | — | C | |
| 9/3572 | † | STOWAGE , flexible drive | | | | | | 3 | — | B | |
| 9/4376 | † | STOWAGE , electrical socket | | | | | | 1 | — | B | |
| 9/4372 | † | STOWAGE , gyro | | | | | | 1 | — | B | |

**EQUIPMENT AIRCRAFT
PRESSURE CABIN EQUIPMENT**

| Ref. No. | Part No. | Description | | | | | | No. off | Mati Spec. | Cl. of Equip. M.R. L.M. | Plate No. |
|--------------|--------------|---|---|---|---|---|---|---------|------------|-------------------------------|-----------|
| | | 1 | 2 | 3 | 4 | 5 | 6 | | | | |
| | E.B6.80.3391 | COMPASS, REPEATER, INSTALLATION | | | | | | — | — | — | |
| | | Spares for:— | | | | | | | | | |
| 5CZ/4335501 | † | BOX , junction | | | | | | 1 | — | C | |
| | | Attaching parts for Ref. 5CZ/4335501:— | | | | | | | | | |
| 28S/9419438 | A32/B10 | Screw, 4 BA | | | | | | 2 | — | C | |
| | 33336 | BRACKET, MOUNTING, COMPASS REPEATER | | | | | | 1 | — | C | |
| | | Consisting of:— | | | | | | | | | |
| | E.B6.80.3399 | ANGLE , attachment for aft diaphragm | | | | | | 1 | L.72 | — | |
| | E.B6.80.3401 | BRACKET , mounting, front | | | | | | 1 | L.72 | — | |
| | E.B6.80.3409 | BRACKET , mounting, for junction box | | | | | | 1 | L.72 | — | |
| | E.B6.80.3603 | CLEAT , top, aft attachment | | | | | | 1 | L.72 | — | |
| | E.B6.80.3605 | CLEAT , top, forward attachment | | | | | | 1 | L.72 | — | |
| | E.B6.80.3607 | CLEAT , bottom, aft attachment | | | | | | 1 | L.72 | — | |
| | E.B6.80.3609 | CLEAT , bottom, forward attachment | | | | | | 1 | L.72 | — | |
| | E.B6.80.3405 | DIAPHRAGM , aft | | | | | | 1 | L.72 | — | |
| | E.B6.80.3407 | DIAPHRAGM , forward | | | | | | 1 | L.72 | — | |
| 6B/6341553 | † | COMPASS , repeater | | | | | | 1 | — | A | |
| | | Attaching parts for Ref. 6B/6341553:— | | | | | | | | | |
| 28S/9435713 | A31/C20 | Screw, 2 BA | | | | | | 4 | — | C | |
| | E.G4.80.1339 | CONSOLE, PILOT'S, ASSEMBLY (MOD. 4799) | | | | | | — | — | — | |
| | | Spares for:— | | | | | | | | | |
| | E.B6.80.3055 | CHANNEL , mounting, for control, Type 705 | | | | | | 1 | L.72 | — | |
| | | Attaching parts for E.B6.80.3055:— | | | | | | | | | |
| 28D/9137408 | AS.1246/1B | Bolt, 4 BA | | | | | | 4 | — | C | |
| | 5628 | PANEL , forward, removable battery access (Pre-Mod. 5061) | | | | | | 1 | L.72 | C | |
| | | Attaching parts for E.B7.80.365:— | | | | | | | | | |
| 28D/9436920 | A25/1C | Bolt, 2 BA | | | | | | 8 | — | C | |
| 28W/9419475 | SP.15/C | Washer | | | | | | 8 | — | C | |
| | E.A3.80.6641 | PANEL, ASSEMBLY, FORWARD, ACCESS FOR EMERGENCY BATTERY (MOD. 5061) | | | | | | 1 | — | — | |
| | | Spares for:— | | | | | | | | | |
| 28FP/9488815 | DZUS A4-30 | FASTENER | | | | | | 1 | — | C | |
| | E.A3.80.6649 | FLAP , 18 SWG | | | | | | 1 | L.72 | — | |
| | DZUS | | | | | | | | | | |
| 28FP/9430915 | GA4-250 | GROMMET | | | | | | 1 | — | C | |
| | E.A3.80.6651 | HINGE (Make from AS.1878 Ref. 28N/9511950) | | | | | | 1 | — | LM | |
| | BULGIN | | | | | | | | | | |
| 5K/4346026 | T.102 | TERMINAL , red | | | | | | 1 | — | C | |
| 5K/4346027 | T.102 | TERMINAL , black | | | | | | 1 | — | C | |
| | | Attaching parts for T.102:— | | | | | | | | | |
| 28S/1200047 | A31/C24 | Screw, 2 BA | | | | | | 1 | — | C | |
| | 5625 | PANEL , removable assembly, snatch unit access | | | | | | 1 | — | C | |
| | | Attaching parts for E.B7.80.153:— | | | | | | | | | |
| 28D/9436920 | A25/1C | Bolt, 2 BA | | | | | | 11 | — | C | |
| 28W/9419475 | SP.15/C | Washer | | | | | | 11 | — | C | |
| | 5808 | PANEL , side, lower, removable controls access | | | | | | 1 | L.72 | C | |
| | | Attaching parts for E.B6.80.53:— | | | | | | | | | |
| 28D/1010658 | A25/1B | Bolt, 4 BA | | | | | | 7 | — | C | |
| 28W/9419465 | SP.13/B | Washer | | | | | | 7 | — | C | |

**EQUIPMENT AIRCRAFT
PRESSURE CABIN EQUIPMENT**

| Ref. No. | Part No. | Description | | | | | | No. off | Matl Spec. | Cl. of Equip. | Plate No. |
|-------------|--------------|---|---|---|---|---|---|---------|------------|---------------|-----------|
| | | 1 | 2 | 3 | 4 | 5 | 6 | | | M.R. L.M. | |
| 5626 | E.B7.80.161 | PANEL , side, forward, removable, controls access | | | | | | 1 | L.72 | C | |
| 5627 | E.B7.80.163 | PANEL , side, aft, removable, controls access ... | | | | | | 1 | L.72 | C | |
| 28D/9436920 | A25/1C | Attaching parts for E.B7.80.161 or E.B7.80.163:— | | | | | | | | | |
| 28W/9419475 | SP.15/C | Bolt, 2 BA | | | | | | 10 | — | C | |
| | | Washer: | | | | | | 10 | — | C | |
| 33430 | E.B6.80.3145 | PANEL , assembly, on control fairing | | | | | | 1 | L.72 | C | |
| 28D/1007981 | AS.1248/1/2C | Attaching parts for E.B6.80.3145:— | | | | | | | | | |
| 28D/1007982 | AS.1248/1C | Bolt, 2 BA | | | | | | 5 | — | C | |
| | | Bolt, 2 BA | | | | | | 3 | — | C | |
| 16709 | E.B6.80.47 | PLATE , cover, bent, above snatch unit removable panel | | | | | | 1 | — | MR | |
| 28D/1010658 | A25/1B | Attaching parts for E.B6.80.47:— | | | | | | | | | |
| 28W/9419465 | SP.13/B | Bolt, 4 BA | | | | | | 4 | — | C | |
| | | Washer: | | | | | | 4 | — | C | |
| | E.G5.80.183 | PLATE , cover | | | | | | 1 | L.72 | — | |
| 28D/9137409 | AS.1246/2C | Attaching parts for E.G5.80.183:— | | | | | | | | | |
| 28W/9419475 | SP.15/C | Bolt, 2 BA | | | | | | 2 | — | C | |
| | | Washer: | | | | | | 2 | — | C | |
| | E.B6.80.4883 | CONTAINER AND MOUNTING OF FIRST AID | | | | | | — | — | — | |
| | | Spares for:— | | | | | | | | | |
| 4683 | E.A3.81.1831 | BAG , stowage, inspection lamp | | | | | | 1 | — | B | |
| 2167 | E.A1.80.881 | CONTAINER , box, first aid equipment | | | | | | 1 | — | B | |
| 28D/1212800 | AS.1248/5C | Attaching parts for E.A1.80.881:— | | | | | | | | | |
| 28D/1212806 | AS.1248/6C | Bolt, 2 BA | | | | | | 1 | — | C | |
| 28W/9419404 | SP.16/C | Bolt, 2 BA | | | | | | 1 | — | C | |
| | | Washer: | | | | | | 2 | — | C | |
| | SCC.79624 | CONTAINER, URINE, INSTALLATION (SRIM.3533) (MOD. 4799) | | | | | | — | — | — | |
| | | Spares for:— | | | | | | | | | |
| | SCB.79625 | CLIP ASSEMBLY (SRIM.3533) (MOD. 4799) ... | | | | | | 1 | — | — | |
| | | Spares for:— | | | | | | | | | |
| 28E/6845 | AGS.584 | CLIP , assembly | | | | | | 1 | — | C | |
| | SCB.79625/1 | PLATE , base, 18 SWG | | | | | | 1 | L.72 | — | |
| 28D/1007975 | AS.1242/1C | Attaching parts for SCB.79625:— | | | | | | | | | |
| 28M/1278190 | AGS.2001/C/1 | Bolt, 2 BA | | | | | | 2 | — | C | |
| 28W/9419475 | SP.15/C | Nut, 2 BA | | | | | | 2 | — | C | |
| | | Washer: | | | | | | 2 | — | C | |
| 27H/4605582 | † | CONTAINER | | | | | | 1 | — | C | |
| 27H/4605567 | † | FUNNEL | | | | | | 1 | — | C | |
| | E.B6.80.4997 | CURTAINS, BLACKOUT, MAIN, INSTALLATION | | | | | | — | — | — | |
| | | Spares for:— | | | | | | | | | |
| 33598 | E.B6.80.5001 | CURTAIN , blackout, upper, complete (Pre-Mod. 4105) | | | | | | 1 | — | B | |
| 42381 | E.G4.80.161 | CURTAIN , blackout, upper, complete (Mod. 4105) | | | | | | 1 | — | B | |
| 29G/4171 | CARR 671 | Attaching parts for E.B6.80.5001 or E.G4.80.161:— | | | | | | | | | |
| 29G/4136 | CARR C.548 | Button | | | | | | 9 | — | C | |
| 29G/4173 | CARR 550 | Socket | | | | | | 9 | — | C | |
| | | Stud, clinch type | | | | | | 9 | — | C | |

**EQUIPMENT AIRCRAFT
PRESSURE CABIN EQUIPMENT**

| Ref. No. | Part No. | Description | | | | | | No. off | Matl Spec. | Cl. of Equip. | Plate No. |
|-------------|--------------|--|---|---|---|---|---|---------|------------|---------------|-----------|
| | | 1 | 2 | 3 | 4 | 5 | 6 | | | M.R. L.M. | |
| 33597 | E.B6.80.4999 | CURTAIN , blackout, starboard, complete ... | | | | | | 1 | — | B | |
| | | Attaching parts for E.B6.80.4999:— | | | | | | | | | |
| 29G/4171 | CARR 671 | Button ... | | | | | | 2 | — | C | |
| 29G/4174 | CARR 550A | Eyelet ... | | | | | | 1 | — | C | |
| 28M/1278189 | AGS.2001/B/1 | Nut, 4 BA ... | | | | | | 15 | — | C | |
| 28M/9433473 | AGS.2002/C/1 | Nut, 2 BA ... | | | | | | 1 | — | C | |
| 29G/1034153 | CARR 708A | Plate, clinch ... | | | | | | 14 | — | C | |
| 28S/9419438 | A33/B10 | Screw, 4 BA ... | | | | | | 15 | — | C | |
| 29G/4136 | CARR C.548 | Socket ... | | | | | | 2 | — | C | |
| 29G/1034156 | CARR N.608 | Socket, "lift the dot" ... | | | | | | 14 | — | C | |
| | E.B6.80.5741 | Strap, assembly ... | | | | | | 4 | — | — | |
| 29G/8089528 | CARR 248 | Stud ... | | | | | | 9 | — | C | |
| 29G/2163 | CARR 895 | Stud, clinch, two-prong ... | | | | | | 4 | — | C | |
| 29G/4173 | CARR 550 | Stud, clinch type ... | | | | | | 2 | — | C | |
| 29G/4074 | CARR 680 | Stud, "lift the dot" ... | | | | | | 1 | — | C | |
| 29G/2164 | CARR 295A | Washer ... | | | | | | 4 | — | C | |
| 6332 | E.A3.80.1753 | CURTAIN , navigator's window ... | | | | | | 1 | — | C | |
| | E.A3.85.15 | DESTRUCTOR, MOUNTING, ASSEMBLY ... | | | | | | — | — | — | |
| | | Spares for:— | | | | | | | | | |
| 8952 | E.A3.85.17 | BRACKET, MOUNTING, ASSEMBLY ... | | | | | | 1 | — | C | |
| | | Spares for:— | | | | | | | | | |
| | E.A3.85.25 | BAND , wire ... | | | | | | 1 | — | — | |
| | E.A3.85.27 | BAND , wire ... | | | | | | 1 | — | — | |
| | E.G4.80.359 | EQUIPMENT, SINGLE LEVER EJECTION ON PRESSURE BULKHEAD (MOD. 4468) (4469) EMBODYING (S.O.O.) (MOD. 3777) | | | | | | — | — | — | |
| | | Spares for:— | | | | | | | | | |
| 1439133 | E.A3.80.6409 | BOX , sealing cocking link ... | | | | | | 1 | — | C | |
| | | Attaching parts for Pt. No. E.A3.80.6409:— | | | | | | | | | |
| 28D/9133011 | A25/2C | Bolt, 2 BA ... | | | | | | 2 | — | C | |
| 28M/1278190 | AGS.2001/C/1 | Nut, 2 BA ... | | | | | | 2 | — | C | |
| 28W/9419402 | SP.13/C | Washer, 2 BA ... | | | | | | 2 | — | C | |
| | E.A3.10.6335 | BRACKET , torque switch ... | | | | | | 1 | — | — | |
| 6119310 | E.A3.80.6671 | CABLE , assembly, secondary firing, starboard side (Mod. 5093) | | | | | | 1 | — | C | |
| | | Attaching parts for E.A3.80.6671:— | | | | | | | | | |
| 28N/1046383 | SP.121/B | Collar ... | | | | | | 1 | — | C | |
| 28P/18534 | SP.113/B5½ | Pin, shear ... | | | | | | 1 | — | C | |
| 28P/9486478 | SP.90/C5 | Pin, split ... | | | | | | 1 | — | C | |
| 6051223 | E.A3.80.6609 | CABLE , assembly, secondary firing, port side, (Mod. 4949) | | | | | | 1 | — | C | |
| | | Attaching parts for E.A3.80.6609:— | | | | | | | | | |
| 28N/1046380 | SP.121/G | Collar ... | | | | | | 1 | — | C | |
| 28P/9140979 | SP.4/Z/B4 | Pin, shackle ... | | | | | | 1 | — | C | |
| 28P/16440 | SP.113/G5 | Pin, shear ... | | | | | | 1 | — | C | |
| 28P/1021104 | SP.90/C3 | Pin, split ... | | | | | | 1 | — | C | |
| 28P/9554984 | SP.90/E7 | Pin, split ... | | | | | | 1 | — | C | |
| 28W/9419402 | SP.13/C | Washer ... | | | | | | 1 | — | C | |

**EQUIPMENT AIRCRAFT
PRESSURE CABIN EQUIPMENT**

| Ref. No. | Part No. | Description | | | | | | No. off | Matl Spec. | Cl. of Equip. M.R. L.M. | Plate No. | |
|-------------|--------------|---|--|---|---|---|---|---------|------------|-------------------------------|-----------|--|
| | | 1 | 2 | 3 | 4 | 5 | 6 | | | | | |
| 5K/3026 | E.A3.80.6433 | CLEAT , attached at hydraulic reservoir mounting | | | | | | 1 | — | — | | |
| | AS.4525/14 | CLIP , at reservoir mounting | | | | | | 1 | — | C | | |
| | 28D/9436920 | A25/1C | Attaching parts for Pt. No. AS.4525/14:— | | | | | | | | | |
| | 28M/1278190 | AGS.2001/C/1 | Bolt, 2 BA | | | | | | 1 | — | C | |
| 28W/9419475 | SP.15/C | Nut, 2 BA | | | | | | 1 | — | C | | |
| | | Washer, 2 BA | | | | | | 1 | — | C | | |
| | E.B6.80.8023 | CONDUIT, CONVOLUTED ASSEMBLY, FROM MECHANISM TO PRESSURE BULK-HEAD, NAVIGATOR'S | | | | | | 1 | — | — | | |
| | | Consisting of:— | | | | | | | | | | |
| 5F/9700511 | SC001/24/11 | CONDUIT , superflexit | | | | | | 1 | — | C | | |
| 5X/9547422 | SCF.279-24 | CONNECTOR , bulkhead | | | | | | 2 | — | C | | |
| | E.A3.80.6435 | PLATE , attachment, 12 SWG | | | | | | 1 | L72 | LM | | |
| 5K/ | | SLEEVE , ident., 1½" long | | | | | | 1 | — | C | | |
| | | Attaching parts for Pt. No. E.B6.80.8023:— | | | | | | | | | | |
| 28D/1008149 | A25/2B | Bolt, 4 BA | | | | | | 8 | — | C | | |
| 28M/1278189 | AGS.2001/B/1 | Nut, 4 BA | | | | | | 8 | — | C | | |
| 34849 | E.A3.80.6429 | Seal | | | | | | 1 | Neoprene | C | | |
| 28W/9419465 | SP.13/B | Washer, 4 BA | | | | | | 8 | — | C | | |
| | E.B6.80.8025 | CONDUIT, CONVOLUTED ASSEMBLY, FROM MECHANISM TO PRESSURE BULK-HEAD, SECOND NAVIGATOR'S | | | | | | 1 | — | — | | |
| | | Consisting of:— | | | | | | | | | | |
| 5F/9700511 | SC001/24/26 | CONDUIT , superflexit | | | | | | 1 | — | C | | |
| 5X/9547422 | SCF.279-24 | CONNECTOR , bulkhead | | | | | | 2 | — | C | | |
| 5K/ | | SLEEVE , ident., 1½" long | | | | | | 1 | — | C | | |
| | E.A3.80.6407 | COVER , mechanism, assembly | | | | | | 2 | — | — | | |
| | | Attaching parts for Pt. No. E.A3.80.6407:— | | | | | | | | | | |
| 28D/1007976 | AS.1242/4C | Bolt, 2 BA (Starboard) | | | | | | 2 | — | C | | |
| 28D/9133011 | A25/2C | Bolt, 2 BA (Port) | | | | | | 1 | — | C | | |
| 28D/1200119 | A25/4C | Bolt, 2 BA | | | | | | 7 | — | C | | |
| 28M/1006473 | A27/CT | Nut, 2 BA | | | | | | 10 | — | C | | |
| | E.A3.80.6463 | Plate | | | | | | 2 | L72 | — | | |
| 34848 | E.A3.80.6421 | Seal, 2 7/8" thick | | | | | | 2 | Neoprene | C | | |
| 28W/9419475 | SP.15/C | Washer, 2 BA | | | | | | 10 | — | C | | |
| 34838 | E.A3.80.6417 | LEVER, COCKING, ASSEMBLY | | | | | | 2 | — | C | | |
| | | Spares for:— | | | | | | | | | | |
| | E.A3.80.6437 | LEVER , cocking | | | | | | 1 | — | — | | |
| 28P/1011099 | SP.28/G8 | PIN , taper | | | | | | 1 | — | C | | |
| | E.A3.80.6439 | SOCKET , piece | | | | | | 1 | — | — | | |
| 42531 | E.A3.80.6413 | LINK, COCKING | | | | | | 1 | — | C | | |
| | | Spares for:— | | | | | | | | | | |
| | E.A3.80.6461 | SOCKET | | | | | | 1 | — | — | | |
| | | Attaching parts for Pt. No. E.A3.80.6413:— | | | | | | | | | | |
| | E.A3.80.6411 | Bolt, special | | | | | | 3 | S.95 | — | | |
| 28M/9418396 | AGS.2001/C/1 | Nut, 2 BA | | | | | | 3 | — | C | | |
| 28P/1007739 | SP.90/ES | Pin, split | | | | | | 3 | — | C | | |
| 28W/9419454 | SP.10/C | Washer, 2 BA | | | | | | 1 | — | C | | |
| 28W/9419404 | SP.16/C | Washer | | | | | | 2 | — | C | | |
| 28W/9418921 | SP.13/E | Washer, 1/4" BSF | | | | | | 3 | — | C | | |

**EQUIPMENT AIRCRAFT
PRESSURE CABIN EQUIPMENT**

| Ref. No. | Part No. | | | | | | | Description | No. off | Matl Spec. | Cl. of Equip. | | Plate No. |
|-------------|--------------|---|---|---|---|---|---|--|---------|------------|---------------|------|-----------|
| | | 1 | 2 | 3 | 4 | 5 | 6 | | | | M.R. | L.M. | |
| 1439180 | E.A3.81.6523 | | | | | | | MECHANISM, ASSEMBLY, SINGLE LEVER EJECTION, SECOND NAVIGATOR'S STATION (MOD. 4468) Spares for this assembly are identical with those for assembly Part No. E.A3.81.6531 except for the following deletion and addition Delete:— | 1 | — | A | | |
| | E.A3.81.6065 | | | | | | | PLATE, MOUNTING, ASSEMBLY Add:— | 1 | — | — | | |
| | E.A3.81.6329 | | | | | | | PLATE, mounting | 1 | L.72 | — | | |
| 1439179 | E.A3.81.6531 | | | | | | | MECHANISM, ASSEMBLY, SINGLE LEVER EJECTION, NAVIGATOR'S STATION (MOD. 4469) Spares for:— | 1 | — | A | | |
| | E.A3.81.6061 | | | | | | | BLOCK, guide | 1 | L.64 | — | | |
| | E.A3.81.6063 | | | | | | | BLOCK, guide | 1 | L.64 | — | | |
| | E.A3.81.6043 | | | | | | | BODY | 1 | L.64 | — | | |
| 28D/1214046 | AS.1242/26C | | | | | | | BOLT, 2 BA | 2 | — | C | | |
| 28D/1011062 | A25/26C | | | | | | | BOLT, 2 BA | 3 | — | C | | |
| 28D/1214303 | AS.1242/10B | | | | | | | BOLT, 4 BA | 1 | — | C | | |
| 28D/9435711 | A25/10B | | | | | | | BOLT, 4 BA | 2 | — | C | | |
| 6051182 | E.A3.81.6553 | | | | | | | CAM, FOLLOWER, ARM ASSEMBLY (Ref. 42534 modified) Spares for:— | 1 | — | C | | |
| | E.A3.81.6555 | | | | | | | CAM, follower arm | 1 | L.64 | — | | |
| 28P/9517006 | SP.90/B3 | | | | | | | PIN, split | 1 | — | C | | |
| 28P/9710567 | SP.90/C4 | | | | | | | PIN, split | 1 | — | C | | |
| | E.A3.81.6055 | | | | | | | ROLLER | 1 | S.61 | — | | |
| | E.A3.81.6057 | | | | | | | SPINDLE | 1 | S.1 | — | | |
| | E.A3.81.6081 | | | | | | | SPINDLE | 1 | S.1 | — | | |
| 1439216 | E.A3.81.6551 | | | | | | | CAM, plunger | 1 | L.64 | C | | |
| 1439181 | E.A3.81.6527 | | | | | | | MASK, assembly | 1 | L.16 | C | | |
| 28M/9433473 | AG5.2002/C/1 | | | | | | | NUT, 2 BA | 5 | — | C | | |
| 28M/1006504 | A27/BT | | | | | | | NUT, 4 BA | 2 | — | C | | |
| 28P/4666856 | SP4/Z/A2 | | | | | | | PIN, clevis, shackle | 1 | — | C | | |
| 34842 | E.A3.81.6069 | | | | | | | PIN, cocking | 1 | S.1 | C | | |
| 34841 | E.A3.81.6067 | | | | | | | PIN, locating | 2 | S.1 | C | | |
| 28P/9710567 | SP.90/C4 | | | | | | | PIN, split | 2 | — | C | | |
| | E.A3.81.6065 | | | | | | | PLATE, MOUNTING, ASSEMBLY Spares for:— | 1 | — | — | | |
| | E.A3.81.6071 | | | | | | | PLATE | 1 | — | — | | |
| | E.A3.81.6425 | | | | | | | RING, reinforcing | 1 | — | — | | |
| | E.A3.81.6073 | | | | | | | TUBE, assembly | 1 | — | — | | |
| | E.A3.81.6039 | | | | | | | PLATE, back | 1 | — | — | | |
| | E.A3.81.6087 | | | | | | | PLATE, sealing x 18 SWG | 1 | L.72 | — | | |
| 5CW/10407 | 1077Z-136 | | | | | | | RING, retaining | 2 | — | C | | |
| 34844 | E.A3.81.6051 | | | | | | | ROLLER | 1 | — | C | | |
| | E.A3.81.6085 | | | | | | | SEAL, 1/2" thick, grade C2 | 1 | Neoprene | — | | |
| 1439215 | E.A3.80.6485 | | | | | | | SEAR, assembly | 1 | S.80 | C | | |
| 5CW/10406 | 1077Z-138 | | | | | | | SHROUD, cable entry | 1 | — | C | | |
| 1439217 | E.A3.81.6529 | | | | | | | SPINDLE | 1 | — | C | | |
| 34845 | E.A3.81.6041 | | | | | | | SPRING | 1 | — | C | | |
| 34846 | E.A3.81.6053 | | | | | | | SPRING, compression | 1 | — | C | | |

**EQUIPMENT AIRCRAFT
PRESSURE CABIN EQUIPMENT**

| Ref. No. | Part No. | Description | | | | | | No. off | Matl Spec. | Cl. of Equip. M.R. L.M. | Plate No. |
|-------------|----------------|-------------|---|---|---|---|---|---------|------------|-------------------------------|-----------|
| | | 1 | 2 | 3 | 4 | 5 | 6 | | | | |
| 5CW/1084481 | DN.1241Z | | | | | | | 1 | — | B | |
| | | | | | | | | | | | |
| 28D/1214046 | AS.1242/26C | | | | | | | 1 | — | C | |
| 28D/1011062 | A25/26C | | | | | | | 1 | — | C | |
| | | | | | | | | | | | |
| 28S/1214086 | 4104/4/3/8" | | | | | | | 2 | — | C | |
| | AS.2811/5/235 | | | | | | | 3 | L.62 | LM | |
| 28W/9419402 | SP.13/C | | | | | | | 5 | — | C | |
| 28W/9418921 | SP.13/E | | | | | | | 1 | — | C | |
| 28W/9419465 | SP.13/B | | | | | | | 3 | — | C | |
| | E.A3.10.6337 | | | | | | | 2 | — | — | |
| | E.A6.10.2181 | | | | | | | 4 | — | — | |
| | 6SP4/2BA | | | | | | | 4 | — | — | |
| | E.B6.10.1523 | | | | | | | 1 | L.72 | — | |
| | E.A3.10.6331 | | | | | | | 1 | L.72 | — | |
| | E.B6.10.1521 | | | | | | | 1 | — | — | |
| | E.A3.10.6333 | | | | | | | 1 | L.72 | — | |
| | E.B6.10.1517 | | | | | | | 1 | — | — | |
| | | | | | | | | | | | |
| 28D/9436920 | A25/1C | | | | | | | 9 | — | C | |
| 28D/1010658 | A25/1B | | | | | | | 6 | — | C | |
| 28M/1278190 | AGS.2001/C/1 | | | | | | | 9 | — | C | |
| 28M/1278189 | AGS.2001/B/1 | | | | | | | 6 | — | C | |
| 28W/9419402 | SP.13/C | | | | | | | 9 | — | C | |
| 28W/9419465 | SP.13/B | | | | | | | 6 | — | C | |
| | | | | | | | | | | | |
| | E.G4.80.1303 | | | | | | | — | — | — | |
| | | | | | | | | | | | |
| | E.B6.80.5773 | | | | | | | — | — | — | |
| | | | | | | | | | | | |
| 6B/4343641 | † | | | | | | | 1 | — | A | |
| | | | | | | | | | | | |
| 28D/1011029 | A25/1E | | | | | | | 4 | — | C | |
| 28M/1201610 | AGS.2001/E1/77 | | | | | | | 4 | — | C | |
| 28W/9418921 | SP.13/E | | | | | | | 4 | — | C | |
| | | | | | | | | | | | |
| 5X/1004088 | CZ.24285 | | | | | | | 1 | — | C | |
| | | | | | | | | | | | |
| 28M/1278189 | AGS.2001/B/1 | | | | | | | 2 | — | C | |
| 5X/9450403 | Z.28426 | | | | | | | 2 | — | C | |
| 28W/9480389 | SP.26/B | | | | | | | 2 | — | C | |
| | | | | | | | | | | | |
| 5CZ/1053794 | † | | | | | | | 2 | — | C | |
| | | | | | | | | | | | |
| 28M/1987493 | AGS.2001/A/1 | | | | | | | 2 | — | C | |
| 28S/1200062 | A33/A20 | | | | | | | 2 | — | C | |
| 28W/9419464 | SP.13/A | | | | | | | 2 | — | C | |
| | | | | | | | | | | | |
| | E.B6.80.5771 | | | | | | | — | — | — | |
| | | | | | | | | | | | |
| 6B/408 | † | | | | | | | 1 | — | A | |
| | | | | | | | | | | | |
| 28S/9992522 | A32/B16 | | | | | | | 4 | — | C | |

**EQUIPMENT AIRCRAFT
PRESSURE CABIN EQUIPMENT**

| Ref. No. | Part No | Description | | | | | | No. off | Matl Spec. | Cl. of Equip. M.R. L.M. | Plate No. |
|--------------|-----------------------------|---|---|---|---|---|---|---------|------------|-------------------------|-----------|
| | | 1 | 2 | 3 | 4 | 5 | 6 | | | | |
| 5X/3275 | CZ.26808 E.G.4.80.1335 | COVER , terminal block (SRIM.3533) (Mod. 4799) FLOOR AND FOOTREST, SECOND NAVIGATOR, INSTALLATION (MOD. 4799) Spares for:— | | | | | | 1 | — | C | |
| | SCD.78732 | FLOOR, ASSEMBLY (SRIM.3533) (MOD. 4799) Spares for:— | | | | | | 1 | — | — | |
| 27L/7002450 | MARTIN BAKER A/MBEU/3666 | BRACKET , leg restraint Attaching parts for A/MBEU/3666:— | | | | | | 2 | — | C | |
| 28D/9133011 | A25/2C | Bolt, 2 BA | | | | | | 4 | — | C | |
| 28M/1278190 | AGS.2001/C/1 | Nut, 2 BA | | | | | | 4 | — | C | |
| 28W/9403514 | SP.26/C | Washer | | | | | | 4 | — | C | |
| | SCD.78771 | FOOTSTEP, ASSEMBLY (SRIM.3533) (MOD. 4799) Spares for:— | | | | | | 1 | — | — | |
| 28FP/1200795 | DZUS No. 4 | CIRCLIP , wire | | | | | | 2 | — | C | |
| 28FP/1200973 | DZUS AJ4/45 | FASTENER | | | | | | 2 | — | C | |
| 5X/1004082 | Z.50210 † | LINK , 2-way (SRIM.3533) (Mod. 4799) | | | | | | 5 | — | C | |
| | | MOUNTING , assembly, morse key (SRIM.3872 Fig. 4A) (Mod. 4799) Attaching parts for mounting:— | | | | | | 1 | — | — | |
| 28M/1278190 | AGS.2001/C/1 | Nut, 4 BA | | | | | | 4 | — | C | |
| 28S/1011504 | A33/C32 | Screw, 4 BA | | | | | | 4 | — | C | |
| | BERCO L100/CB | RHEOSTAT , 10 ohms (Mod. 5026) Attaching parts for L100/CB:— | | | | | | 2 | — | C | |
| 28S/1214155 | AS.2992/6B † | Screw, 4 BA | | | | | | 3 | — | C | |
| | E.G.4.80.1329 | SCREW , special, 2 BA, knurled finger for morse key (SRIM.3872 Fig. 4A) (Mod. 4799) STRUCTURE, STARBOARD WALL, GROUP (MOD. 4799) Spares for:— | | | | | | 1 | — | — | |
| | SCD.78801/39 | FAIRLEAD , half (SRIM.3533) (Mod. 4799) (Make from Ref. 5F/9400953) Attaching parts for SCD.78801/39:— | | | | | | 2 | — | LM | |
| 28M/1987493 | AGS.2001/A/1 | Nut, 6 BA | | | | | | 4 | — | C | |
| 28S/9995324 | A32/A16 | Screw, 6 BA | | | | | | 4 | — | C | |
| 28W/9419464 | SP.13/A | Washer | | | | | | 4 | — | C | |
| | SCC.78909 | PLATE , mounting (SRIM.3533) (Mod. 4799) ... Attaching parts for SCC.78909:— | | | | | | 1 | L.72 | — | |
| 28D/9133013 | A25/SC | Bolt, 2 BA | | | | | | 4 | — | C | |
| | SCD.78801/24 | Spacer | | | | | | 4 | — | C | |
| 28D/9419402 | SP.13/C | Washer | | | | | | 4 | — | C | |
| | E.G.4.80.1417 | TRAY, TOP, STARBOARD WALL, ASSEMBLY (MOD. 4799) Spares for:— | | | | | | 1 | — | — | |
| | E.B.6.80.2277 | COVER , false Attaching parts for E.B.6.80.2277:— | | | | | | 1 | L.72 | — | |
| 28D/9128739 | AS.1248/†B | Bolt, 4 BA | | | | | | 6 | — | C | |
| 5CW/9255 | AS.10512C-1 | SWITCH , DP (Mod. 5026) | | | | | | 2 | — | B | |

**EQUIPMENT AIRCRAFT
PRESSURE CABIN EQUIPMENT**

| Ref. No. | Part No. | Description | | | | | | No. off | Matl Spec. | Cl. of Equip. M.R. L.M. | Plate No. |
|----------|--------------|--|---|---|---|---|------|---------|------------|-------------------------------|-----------|
| | | 1 | 2 | 3 | 4 | 5 | 6 | | | | |
| | E.G4.80.1305 | EQUIPMENT, NAVIGATOR'S COMPARTMENT (MOD. 4799) | | | | | | — | — | — | |
| | E.G4.80.1307 | Spares for:— EQUIPMENT, NAVIGATOR'S CONSOLE (MOD. 4799) | | | | | | — | — | — | |
| | † | Spares for:— BOARD, TERMINAL, ASSEMBLY (SRIM.3533) (MOD. 4799) | | | | | | 1 | — | — | |
| | 5X/9402803 | AS.2635 | BOARD, terminal, 5-way | | | | 1 | — | C | | |
| | 5X/9402794 | AS.2603 | COVER | | | | 1 | — | C | | |
| | 5X/9402799 | AS.2606 | TERMINAL, screwed head | | | | 5 | — | C | | |
| | 28M/1278189 | AGS.2001/B/1 | Attaching parts for terminal board:— | | | | | | | | |
| | 28S/1200034 | A31/B16 | Nut, 4 BA | | | | 2 | — | C | | |
| | 28VV/9480389 | SP.26/B | Screw, 4 BA | | | | 2 | — | C | | |
| | | | Washer | | | | 2 | — | C | | |
| | SCA.79261 | BRACKET, for Decca cable break (SRIM.3533) (Mod. 4799) | | | | | | 1 | L.72 | — | |
| | 28M/1278190 | AGS.2001/C/1 | Attaching parts for SCA.79261:— | | | | | | | | |
| | 28S/9997545 | A31/C16 | Nut, 2 BA | | | | 4 | — | C | | |
| | 28VV/9403514 | SP.26/C | Screw, 2 BA | | | | 4 | — | C | | |
| | | | Washer | | | | 4 | — | C | | |
| | E.G4.80.1337 | CONTROL, VARIABLE POWER SUPPLY, PILOT'S HEATED CLOTHING, INSTALLATION (MOD. 4799) | | | | | | — | — | — | |
| | | Spares for:— | | | | | | | | | |
| | 5CZ/5915 | BERCO L100/CB | RHEOSTAT, 10 ohms (Mod. 5026) | | | | 1 | — | C | | |
| | 28D/9128739 | AS.1248/1/2B | Attaching parts for L100/CB:— Bolt, 4 BA | | | | | | 3 | — | C |
| | 5CW/9255 | AS.10512C-1 | SWITCH, DP (Mod. 5026) | | | | 1 | — | B | | |
| | E.G4.80.1319 | G.A. NAVIGATOR'S INSTRUMENT PANELS (MOD. 4799) | | | | | | — | — | — | |
| | | Spares for:— | | | | | | | | | |
| | E.G4.80.1423 | BRACKET, COAMING PANEL ATTACHMENT, INSTALLATION (MOD. 4799) | | | | | | — | — | — | |
| | | Spares for:— | | | | | | | | | |
| | E.B6.80.1725 | ANGLE, L.H. centre, on coaming tube ... | | | | 1 | L.59 | — | | | |
| | E.B6.80.1726 | ANGLE, R.H. centre, on coaming tube ... | | | | 1 | L.59 | — | | | |
| | SCC.79310/2 | BLOCK, contour, centre bracket (SRIM.3533) (Mod. 4799) 10 SWG | | | | 1 | L.72 | — | | | |
| | SCC.79310/1 | BRACKET, centre (SRIM.3533) (Mod. 4799) 16 SWG | | | | | | 1 | L.72 | — | |
| | E.B6.80.1723 | BRACKET, assembly, L.H. | | | | 1 | L.72 | — | | | |
| | E.B6.80.1724 | BRACKET, assembly, R.H. | | | | 1 | L.72 | — | | | |
| | E.G4.80.1323 | PANEL, COAMING, ASSEMBLY, NAVIGATOR'S (MOD. 4799) | | | | | | 1 | — | — | |
| | | Spares for:— | | | | | | | | | |
| | SCB.78800 | BLOCK, mounting, indicator unit, type 208, Rebecca 4 (SRIM.3533) (Mod. 4799) (Make from Ref. 5F/2349) | | | | | | 1 | — | — | |
| | 28S/9992533 | A32/C20 | Attaching parts for SCB.78800:— Screw, 2 BA | | | | | | 4 | — | C |

**EQUIPMENT AIRCRAFT
PRESSURE CABIN EQUIPMENT**

| Ref. No. | Part No. | 1 2 3 4 5 6 | | | | | | Description | No. off | Matl Spec. | Cl. of Equip. | | Plate No. |
|--------------|---------------|-------------|--|------|--|--|---|-------------|---------|------------|---------------|--|-----------|
| | | M.R. | | L.M. | | | | | | | | | |
| | — | | | | | | | 4 | — | — | | | |
| | | | | | | | BOARD, TERMINAL, ASSEMBLY ... | | | | | | |
| | | | | | | | Consisting of:— | | | | | | |
| 5X/9402803 | AS.2635 | | | | | | BOARD , terminal, 5-way ... | 1 | — | | C | | |
| 5X/9402794 | AS.2603 | | | | | | COVER ... | 1 | — | | C | | |
| 5X/9994577 | AS.2605 | | | | | | TERMINAL , screwed ... | 5 | — | | C | | |
| | | | | | | | Attaching parts for terminal board:— | | | | | | |
| 28S/9992522 | A32/B16 | | | | | | Screw, 4 BA ... | 2 | — | | C | | |
| | E.G.4.81.821 | | | | | | FAN, ASSEMBLY (MOD. 3564) ... | 1 | — | | — | | |
| | | | | | | | Spares for:— | | | | | | |
| 34509 | E.G.4.81.843 | | | | | | BRACKET , mounting, assembly ... | 1 | — | | C | | |
| 34077 | E.G.5.80.115 | | | | | | BUSH , threaded ... | 1 | S.96 | | C | | |
| 34507 | E.G.4.81.829 | | | | | | CLAMP , half ... | 1 | S.96 | | C | | |
| 34508 | E.G.4.81.830 | | | | | | CLAMP , half ... | 1 | S.96 | | C | | |
| | G.E.C. LTD. | | | | | | | | | | | | |
| 5V/247 | SF.26021 | | | | | | FAN , 28 volt, type V93S ... | 1 | — | | B | | |
| 34817 | E.G.7.80.1381 | | | | | | NUT , knurled ... | 1 | — | | C | | |
| 34081 | E.G.5.80.121 | | | | | | PIN ... | 1 | S.96 | | C | | |
| | | | | | | | Attaching parts for E.G.4.81.821:— | | | | | | |
| 28M/1278190 | AGS.2001/C/1 | | | | | | Nut, 2 BA ... | 3 | — | | C | | |
| 28S/9137828 | A32/C32 | | | | | | Screw, 2 BA ... | 3 | — | | C | | |
| 28W/9403514 | SP.26/C | | | | | | Washer ... | 3 | — | | C | | |
| 28FP/9008677 | DZUS PRN3½ | | | | | | FASTENER , receptacle, for control units ... | 8 | — | | C | | |
| 5X/1874 | Z.1840 | | | | | | GROMMET ... | 1 | — | | C | | |
| 5CW/4222 | ZA2401/1 | | | | | | GUARD , switch, anti-dazzle lights ... | 1 | — | | C | | |
| 5CZ/5003 | † | | | | | | INDICATOR , magnetic ... | 3 | — | | C | | |
| | SCB.78798 | | | | | | PANEL, ACCESS, ASSEMBLY (SRIM.3533) (MOD. 4799) | 1 | L.72 | | — | | |
| | | | | | | | Spares for:— | | | | | | |
| 28FP/9137678 | DZUS No. 3 | | | | | | CIRCLIP ... | 2 | — | | C | | |
| 28FP/9434076 | DZUS AJ3/30 | | | | | | FASTENER ... | 2 | — | | C | | |
| 28N/9486470 | AS.1877 | | | | | | HINGE , 5½" long ... | 1 | — | | C | | |
| 5CW/8815 | AS.10512L-1 | | | | | | PLATE , adapter (Alt.R60/61—Mod. 5100) | 1 | — | | C | | |
| | SCB.79439 | | | | | | PLATE , mounting, assembly, L.H. for terminal boards (SRIM.3533) (Mod. 4799) | 1 | — | | — | | |
| | SCB.79440 | | | | | | PLATE , mounting, assembly, R.H. for terminal boards (SRIM.3533) (Mod. 4799) | 1 | — | | — | | |
| | | | | | | | Attaching parts for SCB.79439 or SCB.79440:— | | | | | | |
| 28M/1278189 | AGS.2001/B/1 | | | | | | Nut, 4 BA ... | 4 | — | | C | | |
| 28S/1007817 | A32/B24 | | | | | | Screw, 4 BA ... | 4 | — | | C | | |
| 28W/9480389 | SP.26/B | | | | | | Washer ... | 4 | — | | C | | |
| 5CW/4706404 | AS.10512M-1 | | | | | | SHROUD , terminal (Alt. R60/61 — Mod. 5100) | 3 | — | | C | | |
| 28FP/9434091 | DZUS S3/175 | | | | | | SPRING , for access panel ... | 2 | — | | C | | |
| 5CW/9235 | AS.10512A-2 | | | | | | SWITCH , toggle, HF Normal and Key (SRIM.3872) (Mod. 4799) | 1 | — | | B | | |
| 5CW/4400171 | NSF8804/B102 | | | | | | SWITCH , toggle, Press to Transmit ... | 1 | — | | C | | |
| | or | | | | | | | | | | | | |
| 5CW/9240 | AS.10512A-7 | | | | | | SWITCH (Alt. R60/61—Mod. 5100) ... | 1 | — | | B | | |
| 5CW/8337 | NSF8396/B114 | | | | | | SWITCH , toggle, emergency lights ... | 1 | — | | C | | |
| | or | | | | | | | | | | | | |
| 5CW/4408107 | AS.10512B-2 | | | | | | SWITCH (Alt. R60/61—Mod. 5100) ... | 1 | — | | B | | |
| 5CW/5515 | D5431-1 | | | | | | SWITCH , toggle, anti-dazzle lights ... | 1 | — | | B | | |
| | or | | | | | | | | | | | | |
| 5CW/4408107 | AS.10512B-2 | | | | | | SWITCH (Alt. R60/61—Mod. 5100) ... | 1 | — | | B | | |
| | | | | | | | Attaching parts for D5431-1:— | | | | | | |
| 28S/1200080 | A32/B8 | | | | | | Screw, 4 BA ... | 2 | — | | C | | |
| | | | | | | | Attaching parts for E.G.4.80.1323: | | | | | | |
| 28D/9436920 | A25/1C | | | | | | Bolt, 2 BA ... | 6 | — | | C | | |
| 28W/9419402 | SP.13/C | | | | | | Washer ... | 6 | — | | C | | |

**EQUIPMENT AIRCRAFT
PRESSURE CABIN EQUIPMENT**

| Ref. No. | Part No. | Description | | | | | | No. off | Matl Spec. | Cl. of Equip. M.R. L.M. | Plate No. |
|--------------|---------------------------|--|---|---|---|---|---|---------|------------|-------------------------------|-----------|
| | | 1 | 2 | 3 | 4 | 5 | 6 | | | | |
| | E.G.4.80.891 | PANEL, INSTRUMENT, NAVIGATOR'S ASSEMBLY (MOD. 4864) Spares for:— | | | | | | 1 | — | — | |
| 6A/1146374 | KOLLSMAN L83261-04-010 | ALTIMETER, Mk. 30A (Mod. 4864) ... Attaching parts for L83261-04-010:— | | | | | | 1 | — | A | |
| 6A/6204138 | KOLLSMAN L84380-0-100 | Plate, mooring (Mod. 4864) ... | | | | | | 1 | — | C | |
| 28S/1285524 | A219/B36 | Screw, No. 6 UNC ... | | | | | | 4 | — | C | |
| 6B/3931 | † | COMPASS, G.M., 4 B, indicator, type E ... Attaching parts for Ref. 6B/3931:— | | | | | | 1 | — | A | |
| 28S/9997545 | A31/C16 | Screw, 2 BA ... | | | | | | 3 | — | C | |
| 6A/4337742 | † | INDICATOR, air speed, Mk. 9M ... Attaching parts for Ref. 6A/4337742:— | | | | | | 1 | — | A | |
| 28S/9997545 | A31/C16 | Screw 2 BA ... | | | | | | 4 | — | C | |
| 6A/1037475 | † | INDICATOR, air temperature type B ... | | | | | | 1 | — | A | |
| 10Q/16314 | † | INDICATOR, bearing type 1630 ... Attaching parts for Ref. 6A/1037475 or 10Q/16314:— | | | | | | 1 | — | A | |
| 28S/1200034 | A31/B16 | Screw 4 BA ... | | | | | | 4 | — | C | |
| | E.G.4.80.883 | PANEL ASSEMBLY (MOD. 4864) ... Spares for:— | | | | | | 1 | — | — | |
| | E.G.4.80.1147 | PLATE, adapter, altimeter, 10 SWG ... Attaching parts for E.G.4.80.1147:— | | | | | | 1 | L.73 | LM | |
| 28S/9992523 | A45/C20 | Screw, 2 BA ... | | | | | | 4 | — | C | |
| 28D/1011244 | A25/9E | Attaching parts for E.G.4.80.891:— | | | | | | | | | |
| 28M/9480017 | AGS.2001/E1/66 | Bolt, 1/2" BSF ... | | | | | | 4 | — | C | |
| 28W/9418921 | SP.13/E | Nut, 1/4" BSF ... | | | | | | 4 | — | C | |
| 10A/17930 | † | Washer ... | | | | | | 4 | — | C | |
| | E.G.4.80.1333 | PANEL, ASSEMBLY, SIDE, NAVIGATOR'S (MOD. 4799) Spares for:— | | | | | | 1 | — | — | |
| 5CZ/5692 | C5165Y Mk.4 SCD.78845 | INDICATOR, magnetic ... | | | | | | 1 | — | C | |
| | | PANEL, SIDE, ASSEMBLY (SRIM.3533) (MOD. 4799) Spares for:— | | | | | | 1 | L.72 | — | |
| 28FP/9008677 | DZUS PRN3 1/2 | FASTENER, receptacle, intercom. box ... | | | | | | 4 | — | C | |
| 5CW/4706404 | AS.10512M-1 | SHROUD, terminal (Alt. R60/61 — Mod. 5100) | | | | | | 1 | — | C | |
| 5CW/2453 | † | SWITCH, dimmer, type R, Tacan, PTR.175 and IFF | | | | | | 2 | — | C | |
| 5CW/2531 | † | SWITCH, dimmer, type R, port and star-board, panel lights Attaching parts for Ref. 5CW/2453 or 5CW/2531:— | | | | | | 2 | — | C | |
| 28S/9419437 | A31/A16 | Screw, 6 BA ... | | | | | | 3 | — | C | |
| 5CW/1097575 | C180/C/7 | SWITCH, push button, IFF ... | | | | | | 1 | — | B | |
| 5CW/9268 | AS.10512D-7 | SWITCH, toggle, Tone and Transmit ... | | | | | | 1 | — | B | |
| 5CW/4400039 | NSF.8295/B3 | SWITCH, tumbler, fan ... | | | | | | 1 | — | C | |
| | or | | | | | | | | | | |
| 5CW/9235 | AS.10512A-2 | SWITCH (Alt. R60/61—Mod. 5100) ... Attaching parts for E.G.4.80.1333:— | | | | | | 1 | — | B | |
| 28D/1007981 | AS.1248/1/2 | Bolt, 2 BA ... | | | | | | 8 | — | C | |

**EQUIPMENT AIRCRAFT
PRESSURE CABIN EQUIPMENT**

| Ref. No. | Part No. | 1 2 3 4 5 6 | | | | | Description | No. off | Matl Spec. | Cl. of Equip. M.R. L.M. | Plate No. |
|--------------|---------------|-------------|--|--|--|--|--|---------|------------|-------------------------------|-----------|
| | | | | | | | | | | | |
| | E.G4.80.1321 | | | | | | STRUCTURE, NAVIGATOR'S CONSOLE (MOD. 4799) | — | — | — | |
| | E.G4.80.1325 | | | | | | Spares for:— BOX, RADIO RELAY, ASSEMBLY (MOD. 4799) (Less equipment and wiring) | 1 | — | — | |
| 33589 | E.B6.80.1821 | | | | | | Spares for:— PANEL, access, engraved | 1 | L.72 | C | |
| 28D/1007981 | AS.1248/1/2 C | | | | | | Attaching parts for E.B6.80.1821:— Bolt, 2 BA | 10 | — | C | |
| | E.G4.80.1347 | | | | | | PANEL, SWITCH, ASSEMBLY (Less equipment) | 1 | — | — | |
| 33590 | E.B6.80.1823 | | | | | | Spares for:— PANEL, switch | 1 | L.72 | C | |
| | E.G4.80.1345 | | | | | | PANEL, switch, engraved | 1 | L.72 | — | |
| 28D/1212806 | AS.1248/6C | | | | | | Attaching parts for E.G4.80.1347:— Bolt, 2 BA | 10 | — | C | |
| | SCB.79636 | | | | | | CLAMP, cable, on "A" frame (SRIM.3533) (Mod. 4799) 18 SWG | 1 | L.72 | — | |
| 28D/1007982 | AS.1248/1C | | | | | | Attaching parts for SCB.79636:— Bolt, 2 BA | 4 | — | C | |
| | SCD.79061 | | | | | | PLATFORM, LOWER, INSTALLATION (SRIM.3533) (MOD. 4799) | — | — | — | |
| | SCD.79186 | | | | | | Spares for:— FOOTREST, ASSEMBLY, NAVIGATOR'S (SRIM.3533) (MOD. 4799) | 1 | — | — | |
| 5K/2869 | SP.40/A24 | | | | | | Spares for:— GROMMET | 1 | — | C | |
| | SCD.79172 | | | | | | PANEL, ACCESS, ASSEMBLY (SRIM.3533) (MOD. 4799) | 1 | — | — | |
| 28FP/1200795 | DZUS No.4 | | | | | | Spares for:— CIRCLIP | 7 | — | C | |
| | SCD.79968 | | | | | | DUCT, air, 20 SWG | 1 | 5.510 | — | |
| 28FP/9001393 | DZUS AJ4/35 | | | | | | FASTENER | 7 | — | C | |
| | SCC.79175 | | | | | | GUARD, DEBRIS, ASSEMBLY (SRIM.3533) (MOD. 4799) | 1 | L.72 | — | |
| 28FP/1200795 | DZUS No.4 | | | | | | Spares for:— CIRCLIP | 7 | — | C | |
| 28FP/9144248 | DZUS A4/25 | | | | | | FASTENER | 7 | — | C | |
| | SCD.79111 | | | | | | GUARD, shin, assembly, navigator's (SRIM.3533) (Mod. 4799) | 1 | — | — | |
| | E.G7.80.313 | | | | | | SPRING, navigator's folding table (SRIM.3533) (Mod. 4799) | 1 | — | — | |
| | SCD.79464 | | | | | | STAY, NAVIGATOR'S FOLDING TABLE, INSTALLATION (SRIM.3533) (MOD. 4799) | — | — | — | |
| | SCA.79466 | | | | | | Spares for:— BLOCK, anchor, 1/4" thick | 2 | L.72 | — | |
| 28M/1278189 | AGS.2001/B/1 | | | | | | Attaching parts for SCA.79466:— Nut, 4 BA | 2 | — | C | |
| | SCD.79464/3 | | | | | | Packing, 18 SWG | 1 | L.72 | — | |
| 28S/1200066 | A33/B20 | | | | | | Screw, 4 BA | 2 | — | C | |
| 28VV/9419465 | SP.13/B | | | | | | Washer | 2 | — | C | |

**EQUIPMENT AIRCRAFT
PRESSURE CABIN EQUIPMENT**

| Ref. No. | Part No. | Description | | | | | | No. off | Matl Spec. | Cl. of Equip. M.R. L.M. | Plate No. |
|--------------|------------------------|-------------|---|---|---|---|---|---------|------------|-------------------------------|-----------|
| | | 1 | 2 | 3 | 4 | 5 | 6 | | | | |
| | SCB.79465 | | | | | | | | | | |
| 28D/9133011 | A25/2C | | | | | | | | | | |
| 28M/1278190 | AGS.2001/C/1 | | | | | | | | | | |
| 28W/9419402 | SP.13/C | | | | | | | | | | |
| | E.G.4.80.131 | | | | | | | | | | |
| | SCD.78757 | | | | | | | | | | |
| 28D/9436920 | A25/1C | | | | | | | | | | |
| 28M/1278190 | AGS.2001/C/1 | | | | | | | | | | |
| 28W/9403514 | SP.26/C | | | | | | | | | | |
| | SCC.78946 | | | | | | | | | | |
| 28D/9436920 | A25/1C | | | | | | | | | | |
| 28M/1278190 | AGS.2001/C/1 | | | | | | | | | | |
| 10AJ/1201979 | † | | | | | | | | | | |
| 28M/1278189 | AGS.2001/B/1 | | | | | | | | | | |
| 28S/1200034 | A31/B16 | | | | | | | | | | |
| 28W/9480389 | SCB.79726/2 SP.26/B | | | | | | | | | | |
| | SCD.78947/2 | | | | | | | | | | |
| 28S/9997545 | A31/C16 | | | | | | | | | | |
| | SCD.76890 | | | | | | | | | | |
| | SCD.76890/6 | | | | | | | | | | |
| 28S/9997545 | A31/C16 | | | | | | | | | | |
| | SCB.76888 | | | | | | | | | | |
| 6A/7398 | B/158/E | | | | | | | | | | |
| 28M/1278190 | AGS.2001/C/1 | | | | | | | | | | |
| 28W/9403514 | SP.26/C | | | | | | | | | | |
| | SCB.78759 | | | | | | | | | | |
| 28S/1200034 | A31/B16 | | | | | | | | | | |

**EQUIPMENT AIRCRAFT
PRESSURE CABIN EQUIPMENT**

| Ref. No. | Part No. | | | | | | | Description | No. off | Matl Spec. | Cl. of Equip. M.R. L.M. | Plate No. |
|--------------|--------------|---|---|---|---|---|---|--|---------|------------|-------------------------------|-----------|
| | | 1 | 2 | 3 | 4 | 5 | 6 | | | | | |
| | E.G7.80.69 | | | | | | | TABLE, FOLDING, ASSEMBLY, NAVIGATOR'S (SRIM.3533) (MOD. 4799) | 1 | — | — | |
| | E.G7.80.381 | | | | | | | Spares for:— CATCH, assembly | 1 | — | — | |
| 28D/9140202 | AS.1246/1C | | | | | | | Attaching parts for E.G7.80.381:— | | | | |
| 28M/9403520 | A27/CP | | | | | | | Bolt, 2 BA | 2 | — | C | |
| | E.G7.80.821 | | | | | | | Nut, 2 BA | 2 | — | C | |
| | | | | | | | | Plate, reinforcing | 1 | — | — | |
| | E.G7.80.101 | | | | | | | HINGE (Make from Ref. 28N/16453) ... | 1 | — | LM | |
| | † | | | | | | | SPRING, ATTACHMENT, ASSEMBLY ... | — | — | — | |
| | E.G7.80.123 | | | | | | | Consisting of:— | | | | |
| 28M/1278190 | AGS.2001/C/1 | | | | | | | BOLT, special | 1 | — | — | |
| | E.G7.80.125 | | | | | | | NUT, 2 BA | 1 | — | C | |
| | E.G7.80.127 | | | | | | | PIECE, distance | 1 | — | — | |
| 28W/1200071 | SP.23/C | | | | | | | WASHER, special | 1 | — | — | |
| | | | | | | | | WASHER | 1 | — | C | |
| | | | | | | | | Attaching parts for E.G7.80.69:— | | | | |
| 28D/9142406 | AS.1248/3C | | | | | | | Bolt, 2 BA | 21 | — | C | |
| 28M/1278190 | AGS.2001/C/1 | | | | | | | Nut, 2 BA | 21 | — | C | |
| 28W/9419402 | SP.13/C | | | | | | | Washer | 21 | — | C | |
| | E.G4.80.1309 | | | | | | | EQUIPMENT, NAVIGATOR'S, ON PORT WALL (MOD. 4799) | — | — | — | |
| | | | | | | | | Spares for:— | | | | |
| | SCD.78927 | | | | | | | PANEL, WALL, GROUP (SRIM.3533) (MOD. 4799) | — | — | — | |
| | | | | | | | | Spares for:— | | | | |
| 5X/1004088 | CZ.24285 | | | | | | | BLOCK, terminal, 10-way | 1 | — | C | |
| | | | | | | | | Attaching parts for CZ.24285:— | | | | |
| 28M/1278189 | AGS.2001/B/1 | | | | | | | Nut, 4 BA | 2 | — | C | |
| 5X/9450403 | Z.28426 | | | | | | | Pillar, fixing | 2 | — | C | |
| 28W/9480389 | SP.26/B | | | | | | | Washer | 2 | — | C | |
| | 5X/3275 | | | | | | | COVER, terminal block | 1 | — | C | |
| | SCA.79567 | | | | | | | LABEL, engraved, "caution" | 1 | L.72 | — | |
| | | | | | | | | Attaching parts for SCA.79567:— | | | | |
| 28S/1011490 | A32/C16 | | | | | | | Screw, 2 BA | 4 | — | C | |
| | 5X/1004082 | | | | | | | LINK, 2-way | 5 | — | C | |
| | 703-2-00251 | | | | | | | PANEL, TOP, HINGED, ASSEMBLY (SRIM. 3533) (MOD. 4799) | 1 | — | — | |
| | SCC.78930 | | | | | | | Spares for:— | | | | |
| 28FP/9008677 | DZUS PRN3½ | | | | | | | FASTENER, receptacle | 4 | — | C | |
| 28N/16453 | AS.1879 | | | | | | | HINGE, 12½" long | 1 | — | C | |
| | | | | | | | | Attaching parts for SCC.78930:— | | | | |
| | SCA.79059 | | | | | | | Screw, captive (Made from Ref. 28S/9141845) | 4 | — | — | |
| | SCD.78933 | | | | | | | PANEL, LOWER, ASSEMBLY (SRIM.3533) (MOD. 4799) | 1 | — | — | |
| | | | | | | | | Spares for:— | | | | |
| 14A/540 | † | | | | | | | PLATE, wedge, for control unit type 526 ... | 1 | — | C | |
| | | | | | | | | Attaching parts for Ref. 14A/540:— | | | | |
| 28M/1278190 | AGS.2001/C/1 | | | | | | | Nut, 2 BA | 4 | — | C | |
| 28S/1200053 | A33/C16 | | | | | | | Screw, 2 BA | 4 | — | C | |
| 28W/9403514 | SP.26/C | | | | | | | Washer | 4 | — | C | |

**EQUIPMENT, AIRCRAFT
PRESSURE CABIN EQUIPMENT**

| Ref. No. | Part No. | Description | No. off | Mati Spec. | Cl. of Equip. | Plate No. |
|-------------|-----------------------------|---|---------|------------|---------------|-----------|
| | | | | | M.R. L.M. | |
| | | 1 2 3 4 5 6 | | | | |
| 5X/6240 | † | TERMINAL, earth | 1 | — | C | |
| 5895-99-956 | † | UNIT, control, transponder, type 16929, IFF/SSR (SRIM.3533) (Mod. 4799) | 1 | — | A | |
| -3379 | — | EXTINGUISHER, FIRE, AT NAVIGATOR'S STATION, GROUP (MOD. 5087) Spares for:— | — | — | — | |
| | GRAVINER | | | | | |
| 27N/106 | † | BRACKET, hand extinguisher | 1 | — | C | |
| 27N/299 | † | EXTINGUISHER, fire, type 34H | 1 | — | B | |
| | E.B6.80.5009 | HANDLE, EMERGENCY HYDRAULIC PUMP, STOWAGE, INSTALLATION Spares for:— | — | — | — | |
| 3501 | E.A3.80.1989 | HANDLE, ASSEMBLY Spares for:— | 1 | — | B | |
| 6369 | ROMAC B80 | GRIP | 1 | — | C | |
| 13048 | ROMAC B79 | | Alt. | | | |
| 34110 | ROMAC 1001 | | Alt. | | | |
| | AUTOMOTIVE PRODUCTS UMC 529 | | Alt. | | | |
| 26TA/9665 | | Attaching parts for E.A3.80.1989:— | | | | |
| 28E/9128839 | TERRY 257 | Clip, spring | 2 | — | C | |
| | E.G4.80.1415 | HOLDER, CARD, ON PILOT'S L.H. COAMING TUBE, INSTALLATION (SRIM.3533) (MOD. 4799) Spares for:— | — | — | — | |
| 34824 | E.G7.80.1393 | ANGLE, forward, on coaming tube | 1 | — | C | |
| 34825 | E.G7.80.1395 | ANGLE, aft, on coaming tube | 1 | — | C | |
| | SCB.78837 | BRACKET, assembly, holder support Attaching parts for SCB.78837:— | 1 | L.72 | — | |
| 28D/1007982 | AS.1248/1C | Bolt, 2 BA | 4 | — | C | |
| 28M/1278190 | AGS.2001/C/1 | Nut, 2 BA | 4 | — | C | |
| 28W/9419475 | SP.15/C | Washer | 4 | — | C | |
| | SCB.78842 | BRACKET, lamp support | 1 | — | — | |
| 5L/9951271 | † | FILAMENT, 28 volt, 3.5 watt | 2 | — | C | |
| | SCB.78839 | HOLDER, card, 26 SWG | 3 | L.72 | C | |
| 28N/9486470 | AS.1877 | HINGE, 9" long | 1 | — | C | |
| 5CX/5133 | † | LAMP, cockpit flood, red, type D | 2 | — | C | |
| | SCB.78838 | PLATE, hinged, assembly | 1 | L.72 | — | |
| 5045 | E.A3.80.761 | SPRING, tension Attaching parts for spring:— | 2 | — | C | |
| 28D/9706373 | A25/2A | Bolt, 6 BA | 2 | — | C | |
| 28M/1200096 | A27/AT | Nut, 6 BA | 4 | — | C | |
| 28W/9416641 | SP.47/A | Washer | 2 | — | C | |
| | E.G4.80.1355 | MAP READER'S POSITION, FIRE AXE AND FIRE EXTINGUISHER STOWAGE, INSTALLATION (MOD. 4799) Spares for:— | — | — | — | |
| 27N/1 | † | AXE, fire Attaching parts for Ref. 27N/1:— | 1 | — | B | |
| 28E/9513854 | AS.2294/8 | Clip, 1" o/d | 1 | — | C | |
| 8596 | E.A3.80.1831 | Strap | 1 | — | C | |

**EQUIPMENT AIRCRAFT
PRESSURE CABIN EQUIPMENT**

| Ref. No. | Part No. | 1 | 2 | 3 | 4 | 5 | 6 | Description | No. off | Matl. Spec. | Cl. of Equip. | | Plate No. |
|---|---|---|---|---|---|---|---|---|-----------------------|-----------------------|-----------------------|------|----------------------|
| | | | | | | | | | | | M.R. | L.M. | |
| | E.B6.80.5586 | | | | | | | BRACKET , half, bottom forward (Made from EEDX-63, Ref. 26FZ/7033) Attaching parts for E.B6.80.5585 and E.B6.80.5586:— | 1 | — | — | — | GH.2 |
| 28M/9403520 28W/9416643 | E.A3.80.1255 A27/CP SP.47/C | | | | | | | Bolt; 2 BA Nut; 2 BA Washer | 2 2 2 | S.11 — — | — C C | — | GH.2 |
| | E.B6.80.293 | | | | | | | CATCH , bottom Attaching parts for E.B6.80.293:— | 1 | DTD.124 | — | — | GH.2 |
| 28D/ 28M/13121 28W/9419402 | A25/2½C A27/CS SP.13/C | | | | | | | Bolt; 2 BA (Make from A25/3C) Nut; 2 BA Washer | 1 1 1 | — — — | — C C | — | GH.2 |
| | E.A3.80.1285 | | | | | | | SADDLE , for attachment of lock control cable Attaching parts for E.A3.80.1285:— | 1 | — | — | — | GH.2 |
| 28D/1011006 28M/9403519 18859 | A25/5B A27/BP EEAS.28/6GR | | | | | | | Nut; 4 BA Bolt; 4 BA Washer | 1 1 4 | — — L.72 | C C C | — | GH.2 |
| 5066 | E.A3.80.1253 | | | | | | | SPRING , bottom lock Attaching parts for E.B6.80.4581:— | 1 | Spring Steel | C | — | GH.2 |
| 28M/10288 1028 28W/9419402 | AGS.2001/C/1 EEAS.1/3C SP.13/C | | | | | | | Nut; 2 BA Screw; 2 BA Washer | 6 6 6 | — — — | C C C | — | GH.2 |
| 14608 31528 33706 | E.B6.80.507 E.B6.80.505 E.B6.80.5609 | | | | | | | PAD , back, lower PAD , back, upper SEAT ASSEMBLY | 1 1 1 | — — — | C C A | — | GH.1 GH.1 GH.1 |
| 4537 | E.A3.80.1289 | | | | | | | Spares for:— CABLE, BOWDEN, ASSEMBLY Consisting of:— | 1 | — | B | — | GH.1 |
| | E.A3.80.1293 BOWDEN | | | | | | | BRACKET | 1 | L.72 | — | — | |
| 29H/2153 | P.19/52A BOWDEN | | | | | | | CABLE , "Bowdenite" non fray, inner ... | QR | — | C | — | |
| 29H/2184 | B.52 BOWDEN | | | | | | | CONDUIT , outer | QR | — | C | — | |
| 29H/1893 | PN.980 BOWDEN | | | | | | | FERRULE , plain | 2 | — | C | — | |
| 29H/2154 | PN.3341A BOWDEN | | | | | | | NIPPLE , spherical | 2 | — | C | — | |
| 29H/1901 | PN.1159 E.A3.80.1291 | | | | | | | STOP , plain, adjusting WASHER , tapped radiused | 1 1 | — S.11 | C — | — | |
| 28D/1010658 5542 28M/9403519 28S/6241 28W/9416642 | A25/1B EEAS.143/6 A27/BP 4101/6½" SP.47/B | | | | | | | Attaching parts for E.A3.80.1289:— Bolt; 4 BA Clip; Nut; Screw, self tapping Washer | 2 4 2 2 2 | — — — — — | C C C C C | — | |

**EQUIPMENT AIRCRAFT
PRESSURE CABIN EQUIPMENT**

| Ref. No. | Part No. | Description | No. off | Matl Spec. | Cl. of Equip. | Plate No. |
|-------------|-----------------------------|---|---------|------------|---------------|--------------|
| | | | | | M.R. L.M. | |
| | | 1 2 3 4 5 6 | | | | |
| 33324 | E.B6.80.305 E.A3.80.1275 | FORK-END , for backrest, attachment ... LEVER, HAND, ASSEMBLY FOR BOWDEN CONTROL CABLE | 2 1 | S.96 — | — C | GH.2 GH.1 |
| | E.A3.80.1277 | Spares for:— TRIGGER , assembly | 1 | — | — | |
| | A25/4½B | Attaching parts for E.A3.80.1277:— Bolt, 4 BA (Make from A25/5B) | 1 | — | LM | |
| 28D/1009984 | A25/7B | Bolt, 4 BA | 1 | — | C | |
| 28M/1278189 | AGS.2001/B/1 | Nut, 4 BA | 2 | — | C | |
| | E.B6.80.4953 | STRAP, SEAT STOWAGE, ASSEMBLY | 1 | — | — | |
| | E.B6.80.5595 | Spares for:— STRAP , leather | 1 | TG.34 | C | GH.1 |
| | AS.1242/3C | Attaching parts for E.B6.80.5595:— Bolt, 2 BA | 1 | — | C | |
| 28D/9709461 | AGS.2001/C/1 | Nut, 2 BA | 1 | — | C | |
| 28M/1278190 | E.A3.80.1961 | Plate, front (Make from Ref. 30B/9611210) | 1 | L.72 | LM | |
| | E.A3.80.1963 | Plate, reinforcing (Make from Ref. 30B/9611213) | 1 | L.72 | LM | |
| | E.B6.80.4707 | SUPPORT, MAP READERS SEAT AND FIRE AXE STOWAGE, ASSEMBLY | 1 | — | — | |
| | E.A3.80.1261 | Spares for:— ROLLER GUIDE, ASSEMBLY | 1 | — | C | |
| | E.A3.80.1259 | Consisting of:— BOLT , special | 1 | S.96 | — | |
| | E.A3.80.1257 | ROLLER | 1 | L.65 | — | |
| | AS.2811/6/020 | WASHER , distance, (Make from Ref. 30B/9611265) | 1 | L.62 | LM | |
| | A27/ET | Attaching parts for E.A3.80.1261:— Nut, ¼" BSF | 1 | — | C | |
| 28M/1007403 | AS.2811/6/028 | Plate, distance | 1 | L.62 | LM | |
| 28W/9416644 | SP.47/E | Washer | 1 | — | C | |
| | E.B6.80.4705 | SUPPORT , map, reader's seat | 1 | — | C | GH.1 |
| | A25/13C | Attaching parts for E.B6.80.4705:— Bolt, 2 BA | 1 | — | C | |
| 28D/9133014 | A25/20C | Bolt, 2 BA | 1 | — | C | |
| 28D/1011023 | A27/CS | Nut, 2 BA | 2 | — | C | |
| 28M/5808573 | SP.13/C | Washer | 2 | — | C | |
| 28W/9419402 | | | | | | |
| 33705 | E.B6.80.5615 | STUD , fixing, for expanding map case | 2 | L.65 | C | |
| | E.G4.80.1311 | PANELS, PILOT'S INSTRUMENT, INSTALLATION (MOD. 4799) | — | — | — | |
| | E.A1.81.401 | Spares for:— LEAD , bonding | 1 | — | C | |
| 18739 | AS.3360/B4B | LEAD , bonding | 1 | — | C | |
| 5K/7000206 | 100P4 | MOUNTING , anti-vibration, rubber, 4 lb. | 6 | — | C | |
| 27H/2952 | 150P10 | MOUNTING , anti-vibration, rubber, 10 lb. | 6 | — | C | |
| 27H/2785 | 150P8 | MOUNTING , anti-vibration, rubber, 8 lb. | 2 | — | C | |
| 27H/2784 | | Attaching parts for 100P4, 150P8 and 150P10:— Bolt, 4 BA (As required) | 4 | — | C | |
| 28D/1010658 | A61/1B | Bolt, 4 BA (As required) | 4 | — | C | |
| 28D/1212964 | A61/2B | Bolt, 4 BA (As required) | 4 | — | C | |
| 28D/1212965 | AGS.2001/B/1 | Nut, 4 BA (As required) | 4 | — | C | |
| 28M/1278189 | AGS.2001/B/3 | Nut, 4 BA (As required) | 4 | — | C | |
| 28M/1956039 | | | | | | |

**EQUIPMENT AIRCRAFT
PRESSURE CABIN EQUIPMENT**

| Ref. No. | Part No | Description | | | | | | No. off | Matl Spec. | Cl. of Equip. | | Plate No. |
|-------------|--------------|---|--|---|---|---|----|---------|------------|---------------|------|-----------|
| | | 1 | 2 | 3 | 4 | 5 | 6 | | | M.R. | L.M. | |
| | E.B6.80.31 | PANEL, ENGINE INSTRUMENT, ASSEMBLY ... | | | | | | — | — | — | | |
| | E.B7.80.43 | Spares for:— | | | | | | | | | | |
| | | BRACKET, mounting plug | | | | | | 2 | L.72 | — | | |
| | | Attaching parts for E.B7.80.43:— | | | | | | | | | | |
| 28M/1987493 | AGS.2001/A/1 | Nut, 6 BA | | | | | | 4 | — | C | | |
| 28S/9148119 | A43/A10 | Screw, 6 BA | | | | | | 4 | — | C | | |
| 28W/9419473 | SP.15/A | Washer | | | | | | 4 | — | C | | |
| | 5E/4183 | † | CABLE, Uninyvin 20 | | | | QR | — | C | | | |
| | 5E/4186 | † | CABLE, Uninyvin 14 | | | | QR | — | C | | | |
| 5CW/5252 | HV.3711 | CAP, Helvin, dolly | | | | | | 8 | — | C | | |
| | 18864 | EEAS.111/3 | FERRULE | | | | 1 | — | C | | | |
| | 5617 | EEAS.111/4 | FERRULE | | | | 1 | — | C | | | |
| | 5L/9951110 | † | FLAMENT, 6 volt, 24 watt | | | | 2 | — | C | | | |
| 10H/0970059 | Z.60668 | GASKET, outlet | | | | | | 1 | — | C | | |
| 10H/0970060 | Z.60669 | GASKET, outlet | | | | | | 1 | — | C | | |
| | 6A/3855 | SMITH AG.25 | GAUGE, fuel contents (Pre-Mod. 3391) | | | | 1 | — | A | | | |
| | 6A/7516 | SMITH AG.144 | GAUGE, fuel contents (Mod. 3391) | | | | 1 | — | A | | | |
| | 6A/3853 | SMITH AG.26 | GAUGE, fuel contents | | | | 1 | — | A | | | |
| | 6A/4333473 | SMITH AG.27 | GAUGE, fuel contents | | | | 1 | — | A | | | |
| | 6A/4333478 | SMITH AG.28 | GAUGE, fuel contents | | | | 2 | — | A | | | |
| | | Attaching parts for AG25, AG144, AG26, AG27 or AG28:— | | | | | | | | | | |
| 28S/9144116 | A43/B20 | Screw: | | | | | | 4 | — | C | | |
| | 6A/4333074 | SMITH IACR | GAUGE, oil pressure | | | | 2 | — | A | | | |
| | | Attaching parts for 1 ACR:— | | | | | | | | | | |
| 28S/9130752 | A43/B24 | Screw, 4 BA | | | | | | 4 | — | C | | |
| | 6A/1674 | S.I.S.3652 | INDICATOR, exhaust gas temperature | | | | 1 | — | C | | | |
| | | Attaching parts for S.I.S.3652:— | | | | | | | | | | |
| 28M/1278190 | AGS.2001/C/1 | Nut, 2 BA | | | | | | 4 | — | C | | |
| 28S/9992520 | A43/C20 | Screw, 2 BA | | | | | | 4 | — | C | | |
| | 6A/2801 | S.I.S.3596 | INDICATOR, tachometer, Mk. 10A | | | | 2 | — | A | | | |
| | | Attaching parts for S.I.S.3596:— | | | | | | | | | | |
| 28S/9130752 | A43/B24 | Screw, 4 BA | | | | | | 4 | — | C | | |
| | 5CX/1553 | S.I.S.2968 | LAMP, warning, type B | | | | 2 | — | C | | | |
| | 5K/4329334 | AGS.1658/0 | NUT, gland | | | | 2 | — | C | | | |
| 10H/0970065 | CZ.49182 | OUTLET, straight | | | | | | 1 | — | C | | |
| 10H/0970067 | CZ.49186 | OUTLET, straight | | | | | | 1 | — | C | | |
| | E.B6.80.33 | PANEL | | | | | | 1 | — | — | | |
| | 10H/22501 | CZ.66958 | PLUG, fixed, 9-way, 19 amp. | | | | 2 | — | B | | | |
| | 5X/6488 | CZ.23144/B | RING, clamp, screw type | | | | 1 | — | C | | | |
| | 5X/4491456 | CZ.23144/Z | RING, clamp, screw type | | | | 1 | — | C | | | |
| 10H/0970091 | Z.62231 | RING, sealing | | | | | | 1 | — | C | | |
| 10H/0970090 | Z.62233 | RING, sealing | | | | | | 1 | — | C | | |
| | 5K/4346876 | EEAS.146/16 | SLEEVE, cable, 3/4" long | | | | 60 | — | C | | | |
| | 5K/4346878 | EEAS.146/12 | SLEEVE, cable, 3/4" long | | | | 32 | — | C | | | |
| | 5K/4329286 | AGS.1651/3 | SLEEVE | | | | 2 | — | C | | | |
| | 5K/ | EEAS.118/2/16M | SLEEVE, identification | | | | 1 | — | LM | | | |
| | 5K/ | EEAS.118/3/16K | SLEEVE, identification | | | | 1 | — | LM | | | |
| 10H/0560220 | CZ.49070 | SOCKET, free, 25-way | | | | | | 1 | — | C | | |
| 10H/0560180 | CZ.49126 | SOCKET, free, 12-way | | | | | | 1 | — | C | | |

**EQUIPMENT AIRCRAFT
PRESSURE CABIN EQUIPMENT**

| Ref. No. | Part No. | Description | | | | | | No. off | Matl Spec. | Cl. of Equip. M.R. L.M. | Plate No. |
|-------------|------------------------------|--|---|---|---|---|---|---------|------------|-------------------------------|-----------|
| | | 1 | 2 | 3 | 4 | 5 | 6 | | | | |
| 5F/9434858 | HELLERMANN HV.3254 | STRAP , Helvin | | | | | | QR | — | C | |
| 5F/9138823 | HELLERMANN NY.3255 | STUD , Helvin | | | | | | 18 | — | C | |
| 5CW/1047693 | ROTAX S.I.S.5495 | SWITCH , C.O., S.P. | | | | | | 8 | — | C | |
| 28S/1012356 | A43/B12 | Attaching parts for S.I.S.5495:— | | | | | | | | | |
| 17517 | EEAS.28/2ER | Screw, 4 BA | | | | | | 2 | — | C | |
| 29C/1206041 | AGS.2035/B | Washer | | | | | | 4 | L.16 | C | |
| | | Washer, shakeproof | | | | | | 2 | — | C | |
| 5F/2030 | † | TUBE , P.V.C., 12.7 x 1.2 m/m | | | | | | QR | — | C | |
| 5F/2045 | † | TUBE , P.V.C., 15.8 x 1.2 m/m | | | | | | QR | — | C | |
| | | Attaching parts for E.B6.80.31:— | | | | | | | | | |
| 28D/1011011 | A25/8B | Bolt, 4 BA | | | | | | 2 | — | C | |
| 28D/9140639 | A25/11B | Bolt, 4 BA | | | | | | 1 | — | C | |
| 28M/1278189 | AGS.2001/B/1 | Nut, 4 BA | | | | | | 3 | — | C | |
| 18859 | EEAS.28/6GR | Washer | | | | | | 2 | — | C | |
| 2033 | E.A3.80.1789 | Washer, special | | | | | | 10 | L.72 | C | |
| | E.G4.80.1183 | PANEL, FLYING, ASSEMBLY (MOD. 4864) | | | | | | — | — | — | |
| | | Spares for:— | | | | | | | | | |
| 6A/6201976 | KOLLSMAN L82621-04-010 | ALTIMETER , Mk. 29B (Mod. 4864) | | | | | | 1 | — | A | |
| | | Attaching parts for L82621-04-010:— | | | | | | | | | |
| 6A/6204138 | KOLLSMAN L84380-00-100 | Plate, mooring (Mod. 4864) | | | | | | 1 | — | C | |
| 28S/1285524 | A219/B36 | Screw, 6 UNC (Alternative) | | | | | | 4 | — | C | |
| | A221/B36 | Screw, 6 UNC (Alternative) | | | | | | 4 | — | — | |
| 5CZ/4329841 | WARD BROOKE WB/UN/1146/S/3/W | BLOCK , terminal (Mod. 4864) | | | | | | 1 | — | C | |
| | E.B7.80.473 | BRACKET , shock absorber (Made from EEDX41) | | | | | | 4 | DTD.683 | — | |
| | | Attaching parts for E.B7.80.473:— | | | | | | | | | |
| 28D/1212941 | A61/3C | Bolt, 2 BA | | | | | | 2 | — | C | |
| 28M/10281 | AGS.2001/C/3 | Nut, 2 BA | | | | | | 2 | — | C | |
| 28W/9457834 | SP.124/D | Washer | | | | | | 2 | — | C | |
| | E.G4.81.2677 | CABLE, ASSEMBLY, L3A1 , between terminal blocks on pilot's coaming and flying panels (Mod. 4864) | | | | | | 1 | — | LM | |
| 6A/2197 | S.I.S.2802 | CLOCK , fluorescent, Mk. 4 | | | | | | 1 | — | A | |
| | or | | | | | | | | | | |
| 6A/2958 | S.I.S.2802 | CLOCK , fluorescent, Mk. 4B | | | | | | 1 | — | A | |
| | | (Screws supplied with clock) | | | | | | | | | |
| | WARD BROOKE WB/UN/NY/1110/3 | COVER , terminal block (Mod. 4864) | | | | | | 1 | — | — | |
| 5L/9959118 | † | FLAMENT , 28 volt, 0.04 amp. (Mod. 3529) | | | | | | 2 | — | C | |
| 5L/9959122 | † | FLAMENT , 28 volt, 2 watt | | | | | | 1 | — | C | |
| 5CW/4222 | † | GUARD , switch | | | | | | 1 | — | C | |
| 6B/1054118 | † | HOLDER , deviation card, Mk. 4 | | | | | | 1 | — | C | |
| | | Attaching parts for Ref. 6B/1054118:— | | | | | | | | | |
| 28S/9019735 | 4101 No.4 | Screw, self tapping, 1/8" long | | | | | | 4 | — | C | |

**EQUIPMENT AIRCRAFT
PRESSURE CABIN EQUIPMENT**

| Ref. No. | Part No | Description | | | | | | No. off | Matl Spec. | Cl. of Equip. M.R. L.M. | Plate No. |
|-------------|-------------------------|---|---|---|---|---|---|---------|------------|-------------------------------|-----------|
| | | 1 | 2 | 3 | 4 | 5 | 6 | | | | |
| 6A/3360 | † | INDICATOR, air speed, Mk. 15A (Mod. 3555) | | | | | | 1 | — | A | |
| 28S/1214166 | A44/B28 | Attaching parts for Ref. 6A/3360:— Screw, 4 BA | | | | | | 4 | — | C | |
| 10Q/16355 | † | INDICATOR, Tacan, type 9547 | | | | | | 1 | — | A | |
| 28S/9474082 | A44/B16 | Attaching parts for 10Q/16355:— Screw, 4 BA | | | | | | 4 | — | C | |
| 10Q/16314 | † | INDICATOR, bearing, DF1630 | | | | | | 1 | — | A | |
| 28S/1017078 | A44/B24 | Attaching parts for Ref. 10Q/16314:— Screw, 4 BA | | | | | | 4 | — | C | |
| 10Q/4049193 | S.I.S.5686 | INDICATOR, azimuth deviation | | | | | | 1 | — | A | |
| 28S/1214166 | A44/B28 | Attaching parts for S.I.S.5686:— Screw, 4 BA | | | | | | 4 | — | C | |
| 29C/1200328 | AGS.2037/B | Washer, shakeproof | | | | | | 4 | — | C | |
| 5CZ/5074 | † | INDICATOR, electro magnetic, type B | | | | | | 1 | — | B | |
| 5CZ/5003 | C.5165Y | INDICATOR, magnetic | | | | | | 4 | — | B | |
| 6A/4339155 | † | INDICATOR, rate of climb, Mk. 3Q | | | | | | 1 | — | A | |
| 28S/1214166 | A44/B28 | Attaching parts for Ref. 6A/4339155:— Screw, 4 BA | | | | | | 4 | — | C | |
| 6A/4333225 | SMITH 430FL | INDICATOR, trim, aileron | | | | | | 1 | — | A | |
| 6A/4333226 | SMITH 431FL | INDICATOR, trim, rudder (Alternative) | | | | | | 1 | — | A | |
| 6A/3667 | SMITH 496FL | INDICATOR, trim, rudder (Alternative) | | | | | | 1 | — | A | |
| 6A/4338061 | SMITH 814FL | INDICATOR, trim, tail | | | | | | 1 | — | A | |
| 28S/1017078 | A44/B24 | Attaching parts for indicator trim:— Screw, 4 BA | | | | | | 4 | — | C | |
| 6A/3953 | † | INDICATOR, turn and slip, Mk. 2A (Alternative) | | | | | | 1 | — | A | |
| 6A/5546 | † | INDICATOR, turn and slip, Mk. 3 (Alternative) | | | | | | 1 | — | A | |
| 28S/1214166 | A44/B28 | Attaching parts for Ref. 6A/3953 or 6A/5546:— Screw, 4 BA | | | | | | 4 | — | C | |
| 29C/1200328 | AGS.2037/B | Washer, shakeproof | | | | | | 4 | — | C | |
| 6A/3119 | † | INDICATOR, zero reader | | | | | | 1 | — | A | |
| 28S/1013430 | A44/B20 | Attaching parts for Ref. 6A/3119:— Screw, 4 BA | | | | | | 4 | — | C | |
| 5Q/4347747 | † | INDICATOR, phase failure (Mod. 3529) | | | | | | 1 | — | C | |
| 28M/1987493 | AGS.2001/A/1 | Attaching parts for Ref. 5Q/4347747:— Nut, 6 BA | | | | | | 3 | — | C | |
| 28S/9474096 | A45/A18 | Screw, 6 BA | | | | | | 3 | — | C | |
| 28W/1990896 | SP.124/A | Washer | | | | | | 3 | — | C | |
| 5CX/5363 | THORN 80/10/0678 | LAMPHOLDER, red pillar (Mod. 3529) | | | | | | 2 | — | C | |
| 5CX/5990 | PAGE ENG. A1660/C/15 | LAMP, warning, amber | | | | | | 1 | — | C | |
| 6A/3384 | S.I.S.6146 | MACHMETER, Mk. 2 | | | | | | 1 | — | A | |
| 28S/1214166 | A44/B28 | Attaching parts for S.I.S.6146:— Screw, 4 BA | | | | | | 4 | — | C | |
| 29C/1200328 | AGS.2037/B | Washer, shakeproof | | | | | | 4 | — | C | |

**EQUIPMENT AIRCRAFT
PRESSURE CABIN EQUIPMENT**

| Ref. No. | Part No. | Description | | | | | | No. off | Matl Spec. | Cl. of Equip. | Plate No. |
|-------------|-------------------------|-------------|---|---|---|---|---|---------|------------|---------------|-----------|
| | | 1 | 2 | 3 | 4 | 5 | 6 | | | M.R. L.M. | |
| 6A/4417 | † | | | | | | | 1 | — | A | |
| 28S/ | A44/B30 | | | | | | | 4 | — | C | |
| 33440 | E.G4.80.1185 | | | | | | | 1 | — | — | |
| 5CW/8815 | E.B6.81.5549 | | | | | | | 2 | — | C | |
| | AS.10512L-1 | | | | | | | 1 | — | C | |
| | E.G4.81.3207 | | | | | | | 1 | L.73 | LM | |
| | E.G4.81.2673 | | | | | | | 1 | — | LM | |
| 5E/1934441 | † | | | | | | | AR | — | C | |
| | CGS RESISTANCE Co. Ltd. | | | | | | | | | | |
| | HSA5/80/±5% | | | | | | | 1 | — | — | |
| 5K/4346887 | EEAS.146/20 | | | | | | | AR | — | C | |
| 5X/9462951 | HC.294 | | | | | | | 2 | — | C | |
| 28M/9403517 | A47/Z | | | | | | | 2 | — | C | |
| 28S/9132086 | A31/Z12 | | | | | | | 2 | — | C | |
| 28W/1011232 | SP.47/Z | | | | | | | 2 | — | C | |
| 5CW/4706404 | AS.10512M-1 | | | | | | | 1 | — | C | |
| | WARD BROOKE | | | | | | | | | | |
| 5CZ/1035663 | WB/1114/22 | | | | | | | 2 | — | C | |
| 5CW/6429 | S.I.S.5495 | | | | | | | 1 | — | C | |
| 28S/9145185 | A44/B12 | | | | | | | 2 | — | C | |
| 29C/1200328 | AGS.2037/B | | | | | | | 2 | — | C | |
| 5CW/9243 | AS.10512B-3 | | | | | | | 1 | — | B | |
| 6B/4343640 | † | | | | | | | 1 | — | A | |
| 28S/1214174 | A44/C28 | | | | | | | 4 | — | C | |
| 6A/5798 | † | | | | | | | 1 | — | A | |
| 28S/1011491 | A32/C24 | | | | | | | 3 | — | C | |
| 28D/1213235 | A61/14E | | | | | | | 4 | — | C | |
| 28M/9480017 | AGS.2001/E1/66 | | | | | | | 4 | — | C | |
| 6918 | EEAS.28/51FR | | | | | | | 10 | — | C | |
| 34344 | EEAS.28/51JR | | | | | | | 2 | — | C | |
| | E.G4.80.1401 | | | | | | | — | — | — | |
| | E.G4.80.1403 | | | | | | | — | — | — | |
| 6A/4333072 | † | | | | | | | 1 | — | A | |
| 28S/9130752 | A43/B24 | | | | | | | 4 | — | C | |
| 29C/1200328 | AGS.2037/B | | | | | | | 4 | — | C | |

**EQUIPMENT AIRCRAFT
PRESSURE CABIN EQUIPMENT**

| Ref. No. | Part No. | Description | | | | | | No. off | Matl Spec. | Cl. of Equip. | Plate No. |
|-------------|--------------|-------------|---|---|---|---|---|---------|------------|---------------|-----------|
| | | 1 | 2 | 3 | 4 | 5 | 6 | | | M.R. L.M. | |
| 5CW/9258 | AS.10512C-4 | | | | | | | 1 | — | B | |
| 5CW/4400123 | NSF.8810/K6 | | | | | | | 2 | — | C | |
| | or | | | | | | | | | | |
| 5CW/9235 | AS.10512A-2 | | | | | | | 2 | — | B | |
| 5CW/5818 | NSF.8812/K7 | | | | | | | 1 | — | C | |
| | or | | | | | | | | | | |
| 5CW/9234 | AS.10512A-1 | | | | | | | 1 | — | B | |
| 5CW/6311 | † | | | | | | | 2 | — | C | |
| | | | | | | | | | | | |
| 28S/9145185 | A44/B12 | | | | | | | 4 | — | C | |
| 29C/1200328 | AGS.2037/B | | | | | | | 4 | — | C | |
| | | | | | | | | | | | |
| | DOWTY | | | | | | | | | | |
| 5CW/9438526 | C.5162Y Mk.3 | | | | | | | 1 | — | B | |
| | | | | | | | | | | | |
| 28M/1006962 | A53/Z | | | | | | | 2 | — | C | |
| 28S/9147229 | A43/Z12 | | | | | | | 2 | — | C | |
| 29C/1206050 | AGS.2037/AA | | | | | | | 2 | — | C | |
| | | | | | | | | | | | |
| 5CW/1047692 | † | | | | | | | 2 | — | C | |
| | or | | | | | | | | | | |
| 5CW/9240 | AS.10512A-7 | | | | | | | 2 | — | B | |
| 5CW/1047693 | † | | | | | | | 1 | — | C | |
| | or | | | | | | | | | | |
| 5CW/9235 | AS.10512A-2 | | | | | | | 1 | — | B | |
| | | | | | | | | | | | |
| 28S/9447551 | A44/B10 | | | | | | | 2 | — | C | |
| | | | | | | | | | | | |
| 5Q/4347793 | † | | | | | | | 1 | — | C | |
| | | | | | | | | | | | |
| 28M/10273 | AGS.2001/A/4 | | | | | | | 4 | — | C | |
| 28S/9141665 | A45/A16 | | | | | | | 4 | — | C | |
| | | | | | | | | | | | |
| 28D/9436920 | A25/1C | | | | | | | 2 | — | C | |
| 28D/9133011 | A25/2C | | | | | | | 6 | — | C | |
| 28D/1200119 | A25/4C | | | | | | | 4 | — | C | |
| 28M/1278190 | AGS.2001/C/1 | | | | | | | 6 | — | C | |
| 28W/9419402 | SP.13/C | | | | | | | 6 | — | C | |
| 28W/9419475 | SP.15/C | | | | | | | 6 | — | C | |
| | | | | | | | | | | | |
| | E.B.80.2927 | | | | | | | 1 | — | — | |
| | | | | | | | | | | | |
| 5CW/4831 | E.A3.81.2081 | | | | | | | 1 | — | C | |
| | HELLERMANN | | | | | | | | | | |
| | 4743 | | | | | | | 1 | — | — | |
| 5X/ | † | | | | | | | QR | — | C | |
| 5E/4183 | † | | | | | | | QR | — | C | |
| 5E/4182 | † | | | | | | | 1 | — | C | |
| 10H/0970296 | CZ.69738 | | | | | | | 1 | — | C | |
| | E.B7.80.35 | | | | | | | 1 | — | — | |
| | | | | | | | | | | | |
| 28D/1007971 | A25/1½B | | | | | | | 2 | — | C | |
| 28M/1278189 | AGS.2001/B/1 | | | | | | | 2 | — | C | |

**EQUIPMENT AIRCRAFT
PRESSURE CABIN EQUIPMENT**

| Ref. No. | Part No. | Description | | | | | | No. off | Mati Spec. | Cl. of Equip. M.R. L.M. | Plate No. |
|-------------|--------------|-------------|---|---|---|---|---|---------|------------|-------------------------------|-----------|
| | | 1 | 2 | 3 | 4 | 5 | 6 | | | | |
| 10H/0560870 | CZ.56746 | | | | | | | | | | |
| 5L/9951286 | † | | | | | | | | | | |
| 5L/9951284 | † | | | | | | | | | | |
| 10H/0970060 | Z.60669 | | | | | | | | | | |
| 10H/0970110 | Z.62239 | | | | | | | | | | |
| 5CW/5765 | † | | | | | | | | | | |
| 28S/9992525 | A32/B12 | | | | | | | | | | |
| | EEAS.28/2HP | | | | | | | | | | |
| 6A/2924 | SMITH 218FL | | | | | | | | | | |
| 28S/1212709 | A40/B20 | | | | | | | | | | |
| 5CX/4204 | † | | | | | | | | | | |
| or | | | | | | | | | | | |
| 5CX/5164 | † | | | | | | | | | | |
| 28S/1212709 | A40/B20 | | | | | | | | | | |
| 5CW/4401001 | E.A3.81.2075 | | | | | | | | | | |
| 28S/1005622 | A31/B28 | | | | | | | | | | |
| 29C/1007776 | AGS.2034/B | | | | | | | | | | |
| 20635 | E.B7.75.55 | | | | | | | | | | |
| 28D/1213214 | AS.2922/3B | | | | | | | | | | |
| 33852 | E.B6.75.1433 | | | | | | | | | | |
| 5X/4491651 | HC.1189 | | | | | | | | | | |
| 5X/9462951 | HC.294 | | | | | | | | | | |
| 10H/0970067 | CZ.49186 | | | | | | | | | | |
| 5CW/4408139 | AS.10512L-2 | | | | | | | | | | |
| 10H/0970239 | Z.67407 | | | | | | | | | | |
| 10H/0970098 | Z.49084 | | | | | | | | | | |
| 5CW/4408142 | AS.10512M-2 | | | | | | | | | | |
| 5K/1107826 | EEAS.146/00 | | | | | | | | | | |
| 5K/4346882 | EEAS.146/16 | | | | | | | | | | |
| 5F/9434858 | HV.3254 | | | | | | | | | | |
| 5F/9138823 | NY.3255 | | | | | | | | | | |
| | E.A3.81.5851 | | | | | | | | | | |
| 28S/1200055 | A33/A6 | | | | | | | | | | |
| 5CW/1047697 | † | | | | | | | | | | |
| 5CW/4401003 | E.A3.81.2073 | | | | | | | | | | |
| 28S/9419435 | A31/B12 | | | | | | | | | | |
| 29C/1206041 | AGS.2035/B | | | | | | | | | | |
| | EEAS.28/2HP | | | | | | | | | | |

**EQUIPMENT AIRCRAFT
PRESSURE CABIN EQUIPMENT**

| Ref. No. | Part No. | Description | | | | | | No. off | Matl Spec. | Cl. of Equip. M.R. L.M. | Plate No. |
|-------------|----------------------------|-------------|---|---|---|---|---|---------|------------|-------------------------------|-----------|
| | | 1 | 2 | 3 | 4 | 5 | 6 | | | | |
| 5CW/6435 | | | | | | | | | | | |
| 5CW/1047697 | † | | | | | | | | | | |
| | | | | | | | | | | | |
| 28S/9992522 | A32/B16 | | | | | | | | | | |
| | EEAS.28/2HP | | | | | | | | | | |
| 29C/1206041 | AGS.2035/B | | | | | | | | | | |
| 5CW/9263 | AS.10512D-2 | | | | | | | | | | |
| | E.B6.80.2931 | | | | | | | | | | |
| 28M/1278189 | AGS.2001/B/1 | | | | | | | | | | |
| 28S/9992522 | A32/B16 | | | | | | | | | | |
| 28D/9140202 | AS.1246/1C | | | | | | | | | | |
| 12611 | E.B7.80.497 | | | | | | | | | | |
| 8585 | E.A3.80.383 | | | | | | | | | | |
| | E.G4.80.1313 | | | | | | | | | | |
| 6A/4695406 | † | | | | | | | | | | |
| 28M/4342710 | AGS.2001/B/4 | | | | | | | | | | |
| 28S/9474082 | A44/B16 | | | | | | | | | | |
| 28W/9437455 | SP.25/B | | | | | | | | | | |
| 33437 | E.B6.81.5157 | | | | | | | | | | |
| 33436 | E.B6.81.5155 | | | | | | | | | | |
| 28Q/2005131 | AGS.2045/613 | | | | | | | | | | |
| 28S/9436890 | 4101/8/½ | | | | | | | | | | |
| 6B/1048857 | KELVIN HUGHES KCA.0104W | | | | | | | | | | |
| 28S/9144891 | A39/B12 | | | | | | | | | | |
| | E.G4.80.1405 | | | | | | | | | | |
| | SCC.79337 | | | | | | | | | | |
| | SCD.78609 | | | | | | | | | | |
| 28D/1213052 | AS.4566/1C | | | | | | | | | | |
| | E.G4.80.1407 | | | | | | | | | | |
| 5L/9959118 | † | | | | | | | | | | |
| | PAGE ENG. | | | | | | | | | | |
| 5CX/5384 | C500/C/7 | | | | | | | | | | |
| 5CX/5383 | C500/B/7 | | | | | | | | | | |

**EQUIPMENT AIRCRAFT
PRESSURE CABIN EQUIPMENT**

| Ref. No. | Part No. | Description | | | | | | No. off | Matl Spec. | Cl. of Equip. M.R. L.M. | Plate No. |
|--------------|---------------|---|---|---|---|---|---|---------|------------|-------------------------|-----------|
| | | 1 | 2 | 3 | 4 | 5 | 6 | | | | |
| | SCD.78603 | PANEL ENGRAVED, ASSEMBLY (SRIM.3533) (MOD. 4799) | | | | | | 1 | — | — | |
| | | Spares for:— | | | | | | | | | |
| 28FP/4069936 | DZUS PRC3½ | FASTENER , receptacle | | | | | | 8 | — | C | |
| 5CW/4706404 | AS.10512M-1 | SHROUD , terminal (Alt. R60/61—Mod. 5100) | | | | | | 2 | — | C | |
| | SCB.78699 | SHROUD , assembly, control boxes (SRIM.3533) (Mod. 4799) | | | | | | 2 | — | — | |
| | | Attaching parts for SCB.78699:— | | | | | | | | | |
| 28M/1278189 | AGS.2001/B/1 | Nut, 4 BA | | | | | | 2 | — | C | |
| 28S/1200036 | A31/B18 | Screw, 4 BA | | | | | | 2 | — | C | |
| 28W/9419465 | SP.13/B | Washer | | | | | | 2 | — | C | |
| 5CW/5839 | NSF.8810/B104 | SWITCH , intercom. and amplifier | | | | | | 2 | — | C | |
| | or | | | | | | | | | | |
| 5CW/4408107 | AS.10512B-2 | SWITCH , intercom. (Alt. R60/61—Mod. 5100) | | | | | | 1 | — | B | |
| 5CW/9235 | AS.10512A-2 | SWITCH , amplifier (Alt. R60/61—Mod. 5100) | | | | | | 1 | — | B | |
| | | Attaching parts for E.G4.80.1407:— | | | | | | | | | |
| 28D/1008149 | A25/2B | Bolt, 4 BA | | | | | | 2 | — | C | |
| 28D/1007982 | AS.1248/1C | Bolt, 2 BA | | | | | | 2 | — | C | |
| 28D/1213052 | AS.4566/1C | Bolt, 2 BA | | | | | | 2 | — | C | |
| 28W/9419465 | SP.13/B | Washer | | | | | | 2 | — | C | |
| | E.G4.80.1409 | PANEL, COAMING, LIGHT SWITCH, ASSEMBLY (MOD. 4799) | | | | | | — | — | — | |
| | | Spares for:— | | | | | | | | | |
| | SCC.79890 | BLOCK, TERMINAL, ASSEMBLY (SRIM.3533) (MOD. 4799) | | | | | | 1 | — | — | |
| | | Spares for:— | | | | | | | | | |
| 5X/1957037 | 703/1/00232 | BLOCK , terminal, 3-way | | | | | | 1 | — | C | |
| | SCC.79890/1 | BRACKET , 18 SWG | | | | | | 1 | L.72 | — | |
| 5X/1957036 | CZ.26802 | COVER | | | | | | 1 | — | C | |
| 5X/9450403 | Z.28426 | PILLAR , fixing | | | | | | 2 | — | C | |
| | | Attaching parts for SCC.79890:— | | | | | | | | | |
| 28M/1278189 | AGS.2001/B/1 | Nut, 4 BA | | | | | | 2 | — | C | |
| 28S/9435716 | A33/B12 | Screw, 4 BA | | | | | | 2 | — | C | |
| 28W/9419465 | SP.13/B | Washer | | | | | | 2 | — | C | |
| 5K/9560937 | SP.93/A8 | GROMMET | | | | | | 4 | — | C | |
| | SCC.79306 | PANEL , engraved (SRIM.3533) (Mod. 4799) ... | | | | | | 1 | L.72 | — | |
| 5CW/8815 | AS.10512L-1 | PLATE , adapter (Alt. R60/61—Mod. 5100) ... | | | | | | 1 | — | C | |
| 5CW/4706404 | AS.10512M-1 | SHROUD , terminal (Alt. R60/61—Mod. 5100) | | | | | | 2 | — | C | |
| 5CW/8337 | NSF.8396/B114 | SWITCH , emergency lights | | | | | | 1 | — | C | |
| | or | | | | | | | | | | |
| 5CW/4408107 | AS.10512B-2 | SWITCH (Alt. R60/61—Mod. 5100) | | | | | | 1 | — | B | |
| 5CW/5515 | D.5431/1 | SWITCH , anti-dazzle lights (Pre-Mod. 5100) ... | | | | | | 1 | — | B | |
| | | Attaching parts for D.5431/1:— | | | | | | | | | |
| 28S/1200080 | A32/B8 | Screw, 4 BA | | | | | | 2 | — | C | |
| 29C/1206041 | AGS.2035/B | Washer, shakeproof | | | | | | 2 | — | C | |
| | E.K5.81.929 | SWITCH, ASSEMBLY, ANTI-DAZZLE LIGHTS (ALT. R60/61—MOD. 5100) | | | | | | 1 | — | LM | |
| | | Spares for:— | | | | | | | | | |
| 5CW/14141 | DN.1260Z-74 | CAP , dolly | | | | | | 1 | — | C | |
| 5CW/14140 | 1260Z-164 | KNOB | | | | | | 1 | — | C | |
| 5CW/4408102 | AS.10512A-4 | SWITCH | | | | | | 1 | — | B | |
| 5CW/2453 | † | SWITCH , dimmer, type R, HF. UA60 and PTR.175 | | | | | | 2 | — | C | |
| 5CW/2451 | † | SWITCH , dimmer, type R, port UV | | | | | | 1 | — | C | |
| 5CW/2531 | † | SWITCH , dimmer, type R, port red | | | | | | 1 | — | C | |
| 5CW/5767 | † | SWITCH , dimmer, type R, E2B | | | | | | 1 | — | C | |

**EQUIPMENT AIRCRAFT
PRESSURE CABIN EQUIPMENT**

| Ref. No. | Part No. | Description | | | | | | No. off | Matl Spec. | Cl. of Equip. M.R. L.M. | Plate No. |
|-------------|--------------|-------------|---|---|---|---|---|---------|------------|-------------------------------|-----------|
| | | 1 | 2 | 3 | 4 | 5 | 6 | | | | |
| 5CW/2525 | † | | | | | | | 1 | — | C | |
| 5CW/2530 | † | | | | | | | 1 | — | C | |
| 28S/1011484 | A32/A20 | | | | | | | 3 | — | C | |
| 28D/1007982 | AS.1248/1C | | | | | | | 4 | — | C | |
| | E.G4.80.1411 | | | | | | | — | — | — | |
| | | | | | | | | | | | |
| | | | | | | | | | | | |
| | | | | | | | | | | | |
| 33452 | E.B6.80.4377 | | | | | | | 1 | L.72 | C | |
| 33456 | E.B6.80.5667 | | | | | | | 1 | S.521 | C | |
| | | | | | | | | | | | |
| 33457 | E.B6.80.5669 | | | | | | | 1 | S.521 | C | |
| | | | | | | | | | | | |
| 33459 | E.B6.80.5673 | | | | | | | 1 | S.521 | C | |
| | | | | | | | | | | | |
| 33445 | E.B6.80.3493 | | | | | | | 1 | L.72 | C | |
| 33449 | E.B6.80.3645 | | | | | | | 1 | L.72 | C | |
| | E.G4.80.387 | | | | | | | 1 | L.72 | — | |

**EQUIPMENT AIRCRAFT
PRESSURE CABIN EQUIPMENT**

| Ref. No. | Part No. | Description | | | | | | No. off | Matl Spec. | Cl. of Equip. M.R. L.M. | Plate No. |
|-------------|--------------------------------------|--|---|---|---|---|---|---------|------------|-------------------------------|-----------|
| | | 1 | 2 | 3 | 4 | 5 | 6 | | | | |
| 33451 | E.B6.80.4373 | CLEAT , No. 4, from inboard, between blast shield and diaphragm (Alternative) | | | | | | 1 | L.72 | C | |
| | E.G5.80.235 | CLEAT , No. 4, from inboard, between blast shield and diaphragm (Alternative) | | | | | | 1 | L.72 | — | |
| | SCC.78604 | DIAPHRAGM , No. 1, inboard (SRIM.3533) (Mod. 4799) 18 SWG | | | | | | 1 | L.72 | — | |
| | SCC.78605 | DIAPHRAGM , No. 2, from inboard (SRIM.3533) (Mod. 4799) 18 SWG | | | | | | 1 | L.72 | — | |
| 28D/1011333 | A26/1B | Attaching parts for SCC.78604 or SCC.78605:— | | | | | | | | | |
| 28M/9418217 | AGS.2001/B/2 | Bolt, 4 BA | | | | | | 9 | — | C | |
| 28W/9419474 | SP.15/B | Nut, 4 BA | | | | | | 9 | — | C | |
| | | Washer | | | | | | 9 | — | C | |
| 33448 | E.B6.80.3547 | DIAPHRAGM , No. 4, from inboard (Alternative) | | | | | | 1 | L.72 | C | |
| | E.G5.80.223 | DIAPHRAGM , No. 4, from inboard (Alternative) | | | | | | 1 | — | — | |
| | SCC.79260 | DIAPHRAGM , No. 4, from inboard (Alternative) (SRIM.3533) (Mod. 4799) 18 SWG | | | | | | 1 | L.72 | — | |
| 28D/1011333 | A26/1B | Attaching parts for No. 4 diaphragm:— | | | | | | | | | |
| 28M/9418217 | AGS.2001/B/2 | Bolt, 4 BA | | | | | | 7 | — | C | |
| 28W/9419474 | SP.15/B | Nut, 4 BA | | | | | | 7 | — | C | |
| | | Washer | | | | | | 7 | — | C | |
| 33453 | E.B6.80.5661 | PLATE , attachment, inboard, on coaming tube for angle assembly No. 1 | | | | | | 1 | L.72 | C | |
| 33454 | E.B6.80.5663 | PLATE , attachment, centre, on coaming tube for angle assembly No. 2 | | | | | | 1 | L.72 | C | |
| 33455 | E.B6.80.5665 | PLATE , attachment, outboard, on coaming tube for angle assembly No. 4 | | | | | | 1 | L.72 | C | |
| 5CW/6703 | NSF.8830-B105 | SWITCH , wing tank jettison (Pre-Mod. 5023) ... | | | | | | 1 | — | C | |
| 5CW/4408125 | DOWTY AS.10512D-3 E.G4.80.1353 | SWITCH , wing tank jettison (Mod. 5023) ... | | | | | | 1 | — | B | |
| | SCB.79640 | SEATING IN PRESSURE CABIN (MOD. 4799) ... | | | | | | — | — | — | GH.4 |
| | | Spares for:— | | | | | | | | | |
| | | BLOCK , distance, pipe (SRIM.3533) (Mod. 4799) (Make from Ref. 5F/2933) | | | | | | 1 | — | — | |
| | | Attaching parts for SCB.79640:— | | | | | | | | | |
| 28D/1011019 | A25/8C | Bolt, 2 BA | | | | | | 2 | — | C | |
| 28M/1278190 | AGS.2001/C/1 | Nut, 2 BA | | | | | | 2 | — | C | |
| 28W/9419475 | SP.15/C | Washer | | | | | | 2 | — | C | |
| | E.A2.80.5143 | BRACKET AND LINES, LEG RESTRAINT, PILOT'S, GROUP | | | | | | — | — | — | |
| | | Spares for:— | | | | | | | | | |
| | E.G5.80.157 | BRACKET, LEG RESTRAINT, INSTALLATION | | | | | | — | — | — | GH.4 |
| | | Spares for:— | | | | | | | | | |
| 27L/7002406 | MARTIN BAKER MBEU/3666 | BRACKET , floor | | | | | | 2 | — | C | GH.4 |
| | | Attaching parts for MBEU/3666: | | | | | | | | | |
| 28D/9140644 | A25/9C | Bolt, 2 BA | | | | | | 4 | — | C | |
| 41863 | E.G5.80.159 | CHANNEL , assembly, outboard | | | | | | 1 | — | MR | GH.4 |
| 41864 | E.G5.80.165 | CHANNEL , assembly, inboard | | | | | | 1 | — | MR | GH.4 |
| 27L/2729 | MARTIN BAKER B/MBEU/17353 | LINE , leg | | | | | | 2 | — | C | |
| 27L/1385 | MBEU/8921 | PIN | | | | | | 2 | — | C | |

**EQUIPMENT AIRCRAFT
PRESSURE CABIN EQUIPMENT**

| Ref. No. | Part No. | Description | No. off | Matl Spec. | Cl. of Equip. | Plate No. |
|-------------|-----------------------------|--|---------|------------|---------------|-----------|
| | | | | | M.R. L.M. | |
| | | BRACKET AND LINES, LEG RESTRAINT, REAR CREW MEMBERS, INSTALLATION (E.A3.80.2869) Spares for:— | | | | |
| 27L/7002406 | MARTIN BAKER MBEU/3666 | BRACKET , floor | 4 | — | C | |
| 27L/2729 | B/MBEU/17353 | LINE , leg | 4 | — | C | |
| 27L/1385 | MBEU/8921 | PIN | 4 | — | C | |
| | E.G5.80.181 | BRACKET , pipe clamp | 1 | — | — | GH.4 |
| | | Attaching parts for E.G5.80.181:— | | | | |
| 28D/1010658 | A25/1B | Bolt, 4 BA | 2 | — | C | |
| 28M/1278189 | AGS.2001/B/1 | Nut, 4 BA | 2 | — | C | |
| 28W/9419465 | SP.13/B | Washer | 2 | — | C | |
| | | BRACKETS, TRIP ROD, REAR CREW MEMBERS, SEATS, INSTALLATION (E.B6.80.5947) (E.B6.80.5949) Spares for:— | | | | |
| 41333 | E.B6.80.5051 | BRACKET | 2 | L.65 | MR | GH.4 |
| 41334 | E.B6.80.5955 | BRACKET | 6 | L.65 | MR | GH.4 |
| | E.B6.80.25 | BRACKET , top, pilot's seat rail attachment ... | 1 | S.95 | — | GH.4 |
| | E.B6.80.26 | BRACKET , top, pilot's seat rail attachment ... | 1 | S.95 | — | GH.4 |
| | | Attaching parts for E.B6.80.25 or E.B6.80.26:— | | | | |
| 5629 | E.B6.80.27 | Bolt, special, 2 BA | 2 | S.97 | C | GH.4 |
| 28M/9403520 | A27/CP | Nut, 2 BA | 2 | — | C | GH.4 |
| 16706 | E.B6.80.29 | Packing, fillet | 2 | L.72 | C | GH.4 |
| 12K/1433 | † | CARTRIDGE , No. 13, Mk. 1 (Mod. 4448) ... | 3 | — | C | GH.4 |
| | E.G5.80.177 | CLAMP, PIPE, ASSEMBLY | 1 | — | — | GH.4 |
| | | Spares for:— | | | | |
| | E.G5.80.179 | CLAMP , half | 2 | — | — | GH.4 |
| | | Attaching parts for E.G5.80.179:— | | | | |
| 28D/9435711 | A25/10B | Bolt, 4 BA | 2 | — | C | GH.4 |
| 28M/1278189 | AGS.2001/B/1 | Nut, 4 BA | 2 | — | C | GH.4 |
| 28W/9419465 | SP.13/B | Washer | 2 | — | C | GH.4 |
| | SCD.79620 | CLAMP, PIPE, AT PILOT'S CONSOLE, INSTALLATION (SRIM.3533) (MOD. 4799) Spares for:— | | | | |
| | SCD.79620/2 | BRACKET , 18 SWG | 1 | L.72 | — | |
| | SCD.79620/5 | CLAMP , 18 SWG | 1 | L.72 | — | |
| | SCD.79620/4 | FAIRLEAD , half (Make from Ref. 5F/9400956) Attaching parts for SCD.79620/5 and SCD.79620/4:— | | | | |
| 28D/1011013 | A25/13B | Bolt, 4 BA | 2 | — | C | |
| 28W/9419465 | SP.13/B | Washer | 2 | — | C | |
| 27L/1445245 | MARTIN BAKER MBEU/34679 | GUN , type 10, Mk. 1 (Mod. 4448) ... | 3 | — | C | |
| 27C/4486105 | † | PACK , personal survival, type M, Mk. 2 ... | 1 | — | B | |
| 15A/4177654 | † | PARACHUTE , type S, Mk. 18 (Mod. 4448) ... | 3 | — | A | |
| | MARTIN BAKER MBCJ/1983/2 | PIPE , assembly, from combined time release breech unit to coupling (SRIM.3533) (Mod. 4799) | 1 | — | — | GH.4 |
| | MBCJ/1984/1 | PIPE , assembly, intermediate (SRIM.3533) (Mod. 4799) | 1 | — | — | GH.4 |

**EQUIPMENT AIRCRAFT
PRESSURE CABIN EQUIPMENT**

| Ref. No. | Part No. | Description | | | | | | No. off | Matl Spec. | Cl. of Equip. M.R. L.M. | Plate No. |
|-------------|-----------------------------|--|---|---|---|---|---|---------|------------|-------------------------|-----------|
| | | 1 | 2 | 3 | 4 | 5 | 6 | | | | |
| 27L/5359 | MARTIN BAKER MBCJ/1765 | PIPE, assembly, from coupling to snatch unit (SRIM.3533) (Mod. 4799) | | | | | | 1 | — | C | GH.4 |
| | SCC.79604 | PLATE, cover, at pilot's console (SRIM.3533) (Mod. 4799) 18 SWG | | | | | | 1 | L.72 | — | |
| 27L/50131 | MARTIN BAKER MBEU/1964EE | RAIL, guide, second navigator's ... | | | | | | 1 | — | B | GH.4 |
| | | Attaching parts for MBEU/1964EE:— | | | | | | | | | |
| 28D/1008151 | A25/4E | Bolt, 1/2" BSF ... | | | | | | 9 | — | C | GH.4 |
| 28D/1011240 | A25/5E | Bolt, 1/2" BSF ... | | | | | | 8 | — | C | GH.4 |
| 28D/1008145 | A25/6E | Bolt, 1/2" BSF ... | | | | | | 3 | — | C | GH.4 |
| 28D/1018884 | A25/9G | Bolt, 1/2" BSF ... | | | | | | 2 | — | C | GH.4 |
| 28D/1213582 | A25/5L | Bolt, 1/2" BSF ... | | | | | | 5 | — | C | GH.4 |
| 28D/1013178 | AS.1242/5E | Bolt, 1/2" BSF ... | | | | | | 1 | — | C | GH.4 |
| 28M/1201610 | AGS.2001/E1/77 | Nut, 1/2" BSF ... | | | | | | 21 | — | C | GH.4 |
| 28M/4095807 | AGS.2001/G/1 | Nut, 1/2" BSF ... | | | | | | 2 | — | C | GH.4 |
| 28M/10293 | AGS.2001/L/1 | Nut, 1/2" BSF ... | | | | | | 5 | — | C | GH.4 |
| | 3802 | Packing, floor attachment ... | | | | | | 1 | — | C | |
| | 4885 | Packing, fillet ... | | | | | | 2 | — | C | |
| | 3897 | Packing, fillet ... | | | | | | 20 | — | C | |
| 27L/50130 | MARTIN BAKER MBEU/1963EE | RAIL, guide, navigator's ... | | | | | | 1 | — | B | GH.4 |
| | | Attaching parts for MBEU/1963EE:— | | | | | | | | | |
| 28D/1008145 | A25/6E | Bolt, 1/2" BSF ... | | | | | | 9 | — | C | GH.4 |
| 28D/1011242 | A25/7E | Bolt, 1/2" BSF ... | | | | | | 10 | — | C | GH.4 |
| 28D/1010031 | A25/8E | Bolt, 1/2" BSF ... | | | | | | 1 | — | C | GH.4 |
| 28D/1011257 | A25/7G | Bolt, 1/2" BSF ... | | | | | | 4 | — | C | GH.4 |
| 28D/1011258 | A25/8G | Bolt, 1/2" BSF ... | | | | | | 1 | — | C | GH.4 |
| 28D/1011259 | A25/10G | Bolt, 1/2" BSF ... | | | | | | 2 | — | C | GH.4 |
| 28D/1213582 | A25/5L | Bolt, 1/2" BSF ... | | | | | | 5 | — | C | GH.4 |
| 28D/1013179 | AS.1242/6E | Bolt, 1/2" BSF ... | | | | | | 1 | — | C | GH.4 |
| 28M/9480017 | AGS.2001/E1/66 | Nut, 1/2" BSF ... | | | | | | 21 | — | C | GH.4 |
| 28M/4095807 | AGS.2001/G/1 | Nut, 1/2" BSF ... | | | | | | 7 | — | C | GH.4 |
| 28M/10293 | AGS.2001/L/1 | Nut, 1/2" BSF ... | | | | | | 5 | — | C | GH.4 |
| | 16667 | Packing, ... | | | | | | 1 | — | C | GH.4 |
| | 3802 | Packing, floor, attachment ... | | | | | | 1 | — | C | GH.4 |
| | 4885 | Packing, fillet ... | | | | | | 2 | — | C | GH.4 |
| | 4886 | Packing, fillet ... | | | | | | 5 | — | C | GH.4 |
| | 3897 | Packing, fillet ... | | | | | | 20 | — | C | GH.4 |
| | 3935 | Shim, laminated, floor attachment ... | | | | | | 1 | — | C | GH.4 |
| 28W/9419405 | SP.15/E | Washer ... | | | | | | 20 | — | C | GH.4 |
| 28W/9419476 | SP.15/G | Washer ... | | | | | | 2 | — | C | GH.4 |
| 28W/9419478 | SP.15/L | Washer ... | | | | | | 5 | — | C | GH.4 |
| 28W/9419487 | SP.16/E | Washer ... | | | | | | 4 | — | C | GH.4 |
| 28W/9419488 | SP.16/G | Washer ... | | | | | | 4 | — | C | GH.4 |
| 27L/50129 | MARTIN BAKER MBEU/1902EE | RAIL, guide, pilot's ... | | | | | | 1 | — | B | GH.4 |
| | | Attaching parts for MBEU/1902EE:— | | | | | | | | | |
| 28D/1011256 | A25/5G | Bolt, 1/2" BSF ... | | | | | | 2 | — | C | GH.4 |
| 28D/1006583 | A25/5J | Bolt, 1/2" BSF ... | | | | | | 2 | — | C | |
| 28M/4095807 | AGS.2001/G/1 | Nut, 1/2" BSF ... | | | | | | 2 | — | C | |
| 28M/10292 | AGS.2001/J/1 | Nut, 1/2" BSF ... | | | | | | 2 | — | C | GH.4 |
| 28W/9419477 | SP.15/J | Washer ... | | | | | | 2 | — | C | GH.4 |

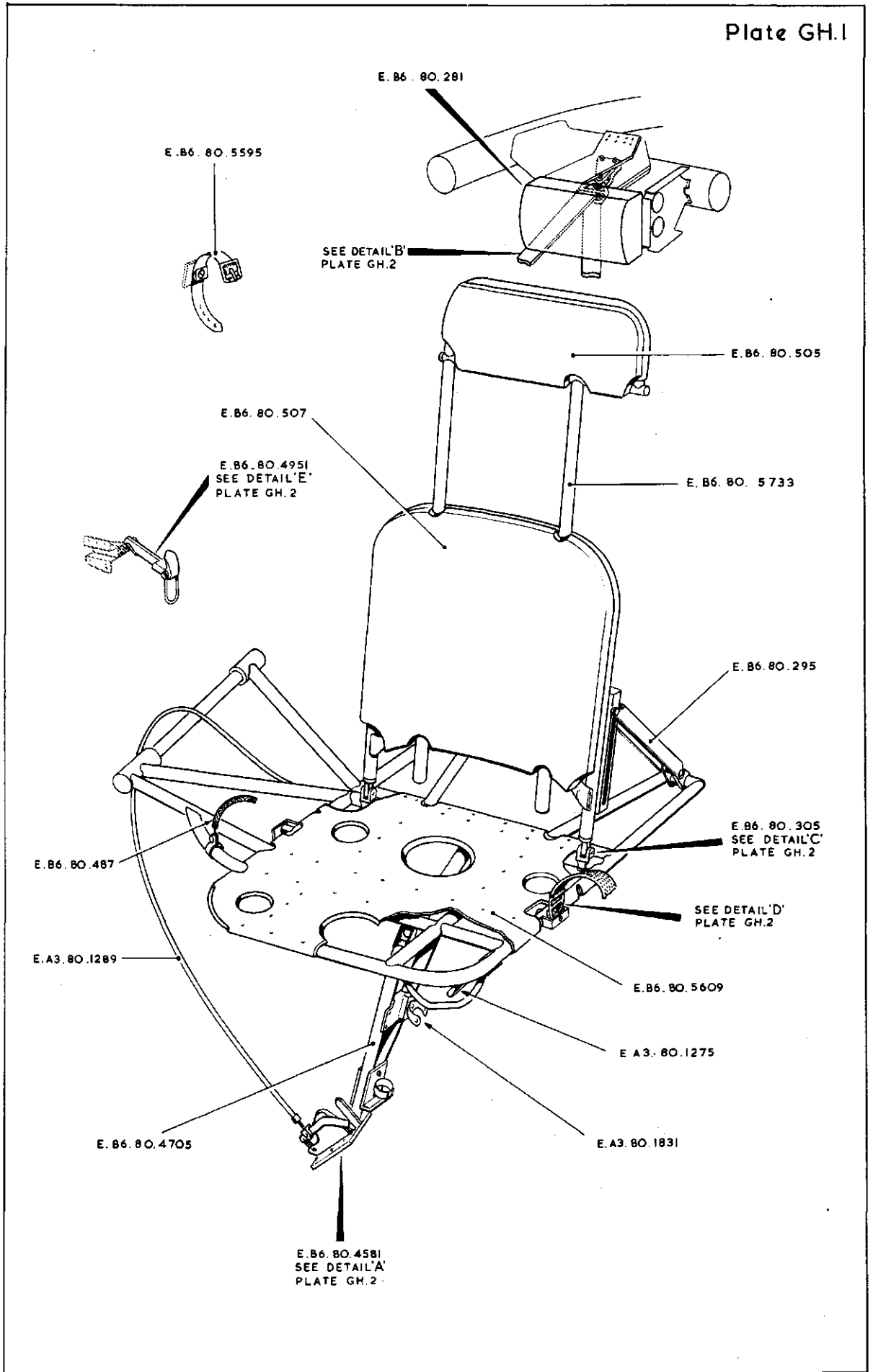
**EQUIPMENT AIRCRAFT
PRESSURE CABIN EQUIPMENT**

| Ref. No. | Part No | Description | | | | | | No. off | Matl Spec. | Cl. of Equip. M.R. L.M. | Plate No. |
|-------------|---|-------------|---|---|---|---|---|---------|------------|-------------------------------|-----------|
| | | 1 | 2 | 3 | 4 | 5 | 6 | | | | |
| 27L/1445204 | MARTIN BAKER † | | | | | | | | | | |
| 27L/1445203 | † | | | | | | | | | | |
| 27L/1445196 | MARTIN BAKER C76/HC/MB | | | | | | | | | | |
| 27L/5021 | MARTIN BAKER MBCJ/159 | | | | | | | | | | |
| 26DK/11172 | EEAS.239/1A E.G4.80.1421 | | | | | | | | | | |
| 6101183 | E.A3.80.6547 | | | | | | | | | | |
| 28D/1010030 | A25/7C | | | | | | | | | | |
| 28M/1278190 | AGS.2001/C/1 | | | | | | | | | | |
| 28W/9419475 | SP.15/C | | | | | | | | | | |
| 1438887 | E.A3.80.6173 — | | | | | | | | | | |
| 28D/1204937 | AS.1242/6C | | | | | | | | | | |
| 28M/1278190 | AGS.2001/C/1 | | | | | | | | | | |
| 28W/9419475 | SP.15/C | | | | | | | | | | |
| 1438542 | E.G4.80.261 E.B6.80.6055 E.B6.80.6059 E.B6.80.6075 E.B6.80.6077 | | | | | | | | | | |
| 28D/9436920 | A25/1C | | | | | | | | | | |
| 28M/1278190 | AGS.2001/C/1 | | | | | | | | | | |
| 28W/9419402 | SP.13/C | | | | | | | | | | |
| | E.A3.80.6643 | | | | | | | | | | |
| | E.A3.80.6655 | | | | | | | | | | |
| | E.G4.80.1419 | | | | | | | | | | |
| | E.B6.80.1201 | | | | | | | | | | |
| | E.B6.80.1269 | | | | | | | | | | |
| | E.B6.80.1275 | | | | | | | | | | |
| 10AT/41 | † | | | | | | | | | | |

**EQUIPMENT AIRCRAFT
PRESSURE CABIN EQUIPMENT**

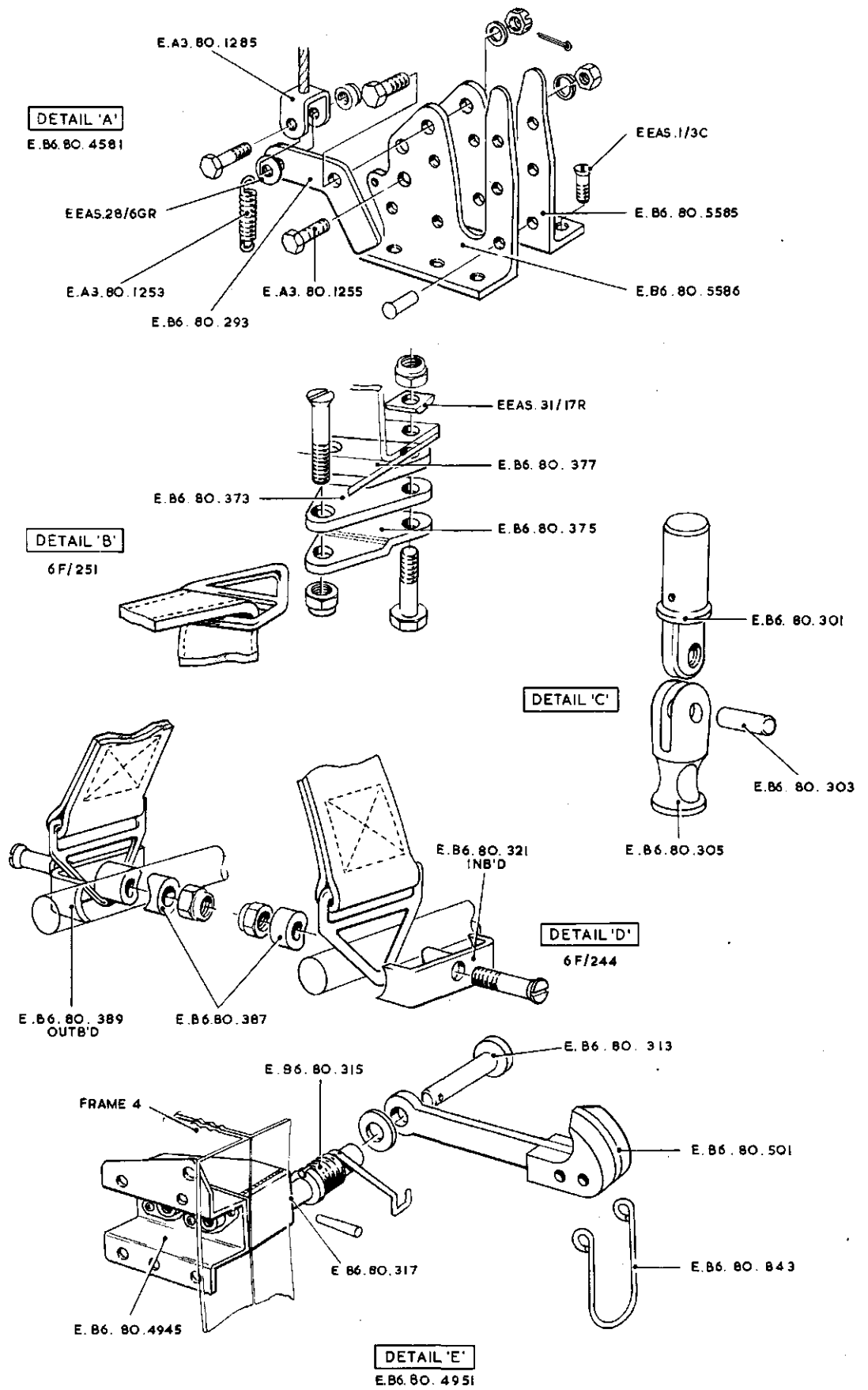
| Ref. No. | Part No. | Description | | | | | | No. off | Matl Spec. | Cl. of Equip. M.R. L.M. | Plate No. |
|-------------|--------------|---|---|---|---|---|---|---------|------------|-------------------------------|-----------|
| | | 1 | 2 | 3 | 4 | 5 | 6 | | | | |
| 41357 | E.G5.83.21 | SUNBLIND, PILOT'S, ASSEMBLY (MOD. 4105) | | | | | | 1 | — | B | GH.3 |
| | | Spares for:— | | | | | | | | | |
| | E.G5.83.51 | BRACKET, stop, port | | | | | | 1 | — | — | GH.3 |
| | E.G5.83.53 | BRACKET, stop, starboard | | | | | | 1 | — | — | GH.3 |
| 32A/155 | † | CORD, silk (Alternative) | | | | | | QR | DTD.67A | C | GH.3 |
| 32A/9008620 | † | CORD, nylon (Alternative) | | | | | | QR | DTD.481E | C | GH.3 |
| | E.G5.83.61 | FABRIC, nylon, green (Make from 32B/1029) ... | | | | | | 1 | DTD.793 | LM | GH.3 |
| | E.G5.83.59 | FABRIC, nylon, white (Make from 32B/1019) ... | | | | | | 1 | DTD.793 | LM | GH.3 |
| | E.G5.83.55 | FRAME, flexible | | | | | | 1 | — | — | GH.3 |
| | E.G5.83.27 | FRAME, INNER, ASSEMBLY | | | | | | 1 | — | — | GH.3 |
| | | Spares for:— | | | | | | | | | |
| | E.G5.83.31 | FRAME, wire | | | | | | 1 | — | — | GH.3 |
| | E.G5.83.29 | MEMBER, inner, frame | | | | | | 1 | — | — | GH.3 |
| | E.G5.83.33 | SOCKET, inner frame, port | | | | | | 1 | — | — | GH.3 |
| | E.G5.83.35 | SOCKET, inner frame, starboard | | | | | | 1 | — | — | GH.3 |
| 34436 | E.G5.83.63 | HANDLE, control | | | | | | 1 | — | C | GH.3 |
| | | Attaching parts for E.G5.83.63:— | | | | | | | | | |
| 28D/1007468 | AS.1242/3B | Bolt, 4 BA | | | | | | 4 | — | C | GH.3 |
| 28M/1278189 | AGS.2001/B/1 | Nut, 4 BA | | | | | | 4 | — | C | GH.3 |
| 28W/9419465 | SP.13/B | Washer | | | | | | 4 | — | C | GH.3 |
| | E.G5.83.45 | LEVER, assembly | | | | | | 1 | — | — | GH.3 |
| | E.G5.83.47 | PLATE, stop, assembly | | | | | | 1 | — | — | GH.3 |
| | E.G5.83.41 | SHAFT, inner | | | | | | 1 | — | — | GH.3 |
| | E.G5.83.37 | SOCKET, outer frame, port | | | | | | 1 | — | — | GH.3 |
| | E.G5.83.39 | SOCKET, outer frame, starboard | | | | | | 1 | — | — | GH.3 |
| 5631 | E.A3.83.205 | SPRING | | | | | | 1 | S.201 | C | GH.3 |
| | E.G5.83.23 | STAY, outer, port | | | | | | 1 | — | — | GH.3 |
| | E.G5.83.25 | STAY, outer, starboard | | | | | | 1 | — | — | GH.3 |
| | E.G5.83.57 | STIFFENER | | | | | | 1 | — | — | GH.3 |
| 8804 | E.A3.83.2111 | STIFFENER | | | | | | 2 | — | C | GH.3 |
| 8805 | E.A3.83.213 | STIFFENER | | | | | | 2 | — | C | GH.3 |
| 8806 | E.A3.83.215 | STIFFENER | | | | | | 2 | — | C | GH.3 |
| | E.G5.83.43 | TUBE, bearing | | | | | | 1 | — | — | GH.3 |
| 8800 | E.A3.83.201 | TUBE, spring, housing | | | | | | 1 | — | C | GH.3 |
| 8801 | E.A3.83.203 | TUBE, spring, housing | | | | | | 1 | — | C | GH.3 |
| | | Attaching parts for E.A3.83.201 and E.A3.83.203:— | | | | | | | | | |
| 28N/1045681 | AGS.899/1 | Collar | | | | | | 1 | — | C | GH.3 |
| 28P/814 | SP.4Y/A4 | Pin, shackle | | | | | | 1 | — | C | GH.3 |
| 28P/9710567 | SP.90/C4 | Pin, split | | | | | | 1 | — | C | GH.3 |
| | | Attaching parts for E.G5.83.21:— | | | | | | | | | |
| 8798 | E.A3.83.195 | Bearing, support, bottom | | | | | | 2 | — | C | GH.3 |
| 8799 | E.A3.83.197 | Bearing, support, bottom | | | | | | 2 | — | C | GH.3 |
| 28D/1214035 | AS.1242/13C | Bolt, 2 BA | | | | | | 4 | — | C | GH.3 |
| 28M/9433473 | AGS.2002/C/1 | Nut, 2 BA | | | | | | 4 | — | C | GH.3 |
| 28W/9419402 | SP.13/C | Washer | | | | | | 4 | — | C | GH.3 |
| 6B/4343721 | † | TRAY, for periscope sextant | | | | | | 1 | — | A | |
| | | Attaching parts for Ref. 6B/4343721:— | | | | | | | | | |
| 28D/1212372 | AS.1248/3E | Bolt, 1" BSF | | | | | | 4 | — | C | |
| 28W/9418921 | SP.13/E | Washer | | | | | | 4 | — | C | |

Plate GH.1



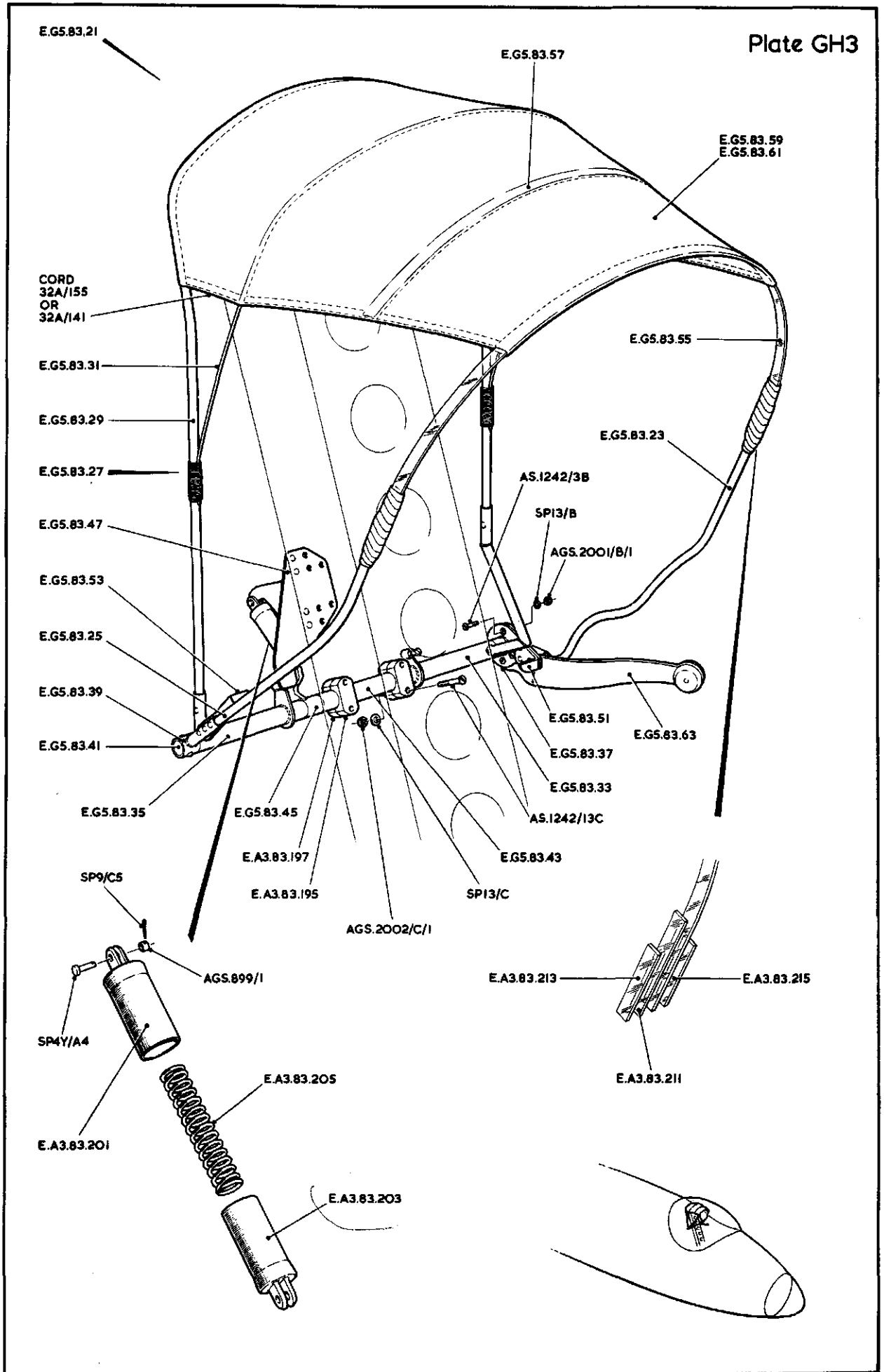
MAP READER'S SEAT

Plate GH 2

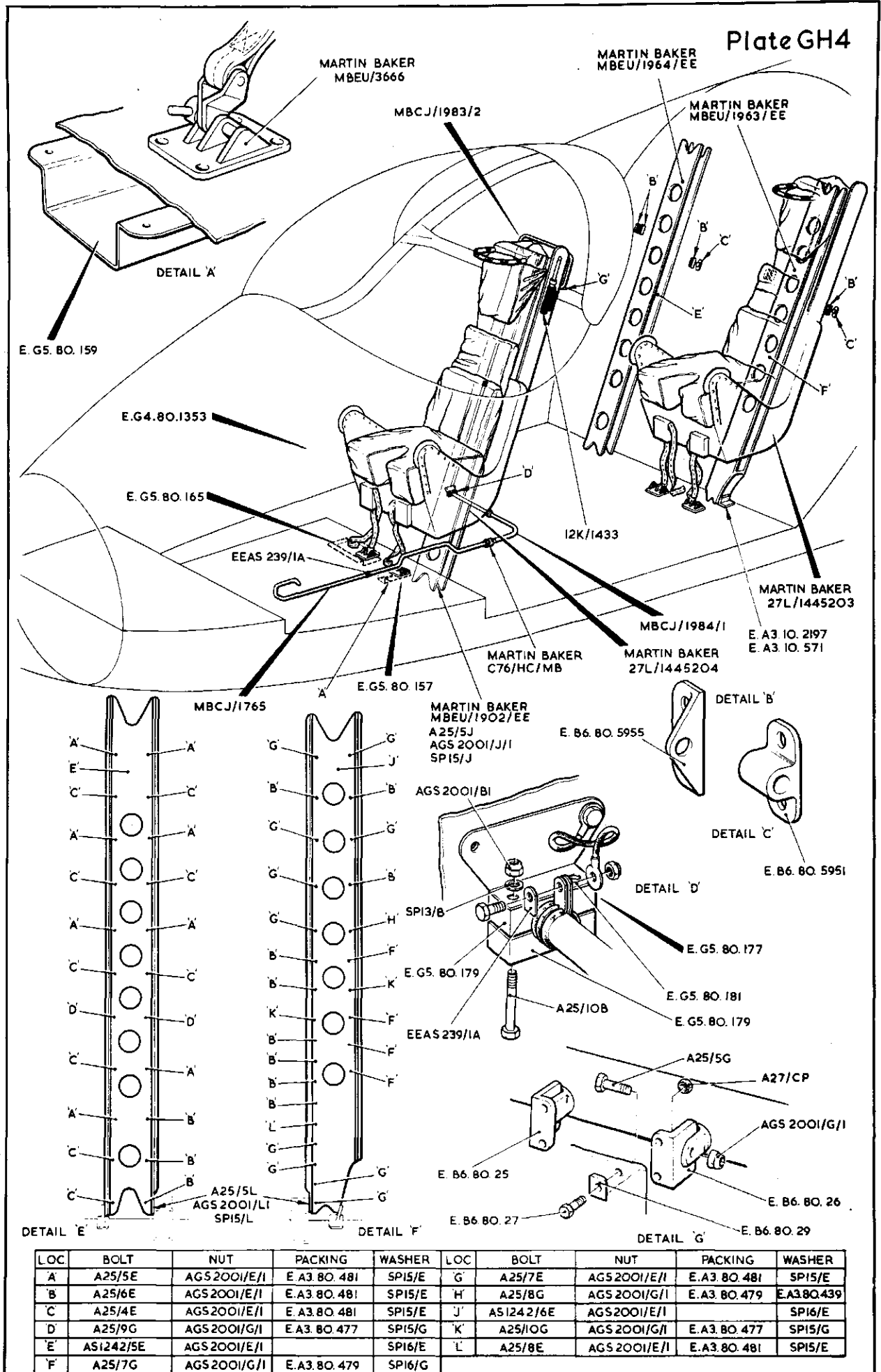


MAP READER'S SEAT - DETAIL

Plate GH3



A-1.



SEATING IN PRESSURE CABIN

This file was downloaded
from the RTFM Library.

Link: www.scottbouch.com/rtfm

Please see site for usage terms,
and more aircraft documents.

