

**SERVICES**  
**AIR VENTILATED SUIT SYSTEM**

Ref. No.	Part No.	Description						No. off	Matl Spec.	Cl. of Equip. M.R. L.M.	Plate No.
		1	2	3	4	5	6				
	E.G.475.425	<b>AIR VENTILATED SUIT SYSTEM (MOD. 4799</b> ...						—	—	—	
	E.G.475.405	Spares for:— <b>SUIT, VENTILATED, FRONT FUSELAGE, INSTALLATION (MOD. 4799)</b>						—	—	—	
	E.B.675.877	Spares for:— <b>BULKHEAD, PRESSURE PIPE CONNECTION ASSEMBLY</b>						—	—	—	
28F/9486111	AGS.1142/H	<b>NIPPLE, adaptor</b> ... ..						2	—	C	
26DK/4762	EEAS.20/3DU	<b>TAB, locking</b> ... ..						2	—	C	S.1
28F/9996122	AGS.1112/H	<b>UNION, body, flanged bulkhead</b> ... ..						1	—	C	
28D/1200119	A25/4C	Attaching parts for AGS.1112/H:—									
28M/1278190	AGS.2001/C/1	Bolt, 2 BA ... ..						6	—	C	
28W/9419402	SP.13/C	Nut, 2 BA ... ..						6	—	C	
28F/14657	AGS.1115/10	Washer ... ..						6	—	C	
37856	E.A.475.253	Washer, plate ... ..						1	—	C	S.1
	E.B.675.1041	Washer, sealing ... ..						1	—	C	
	E.B.675.1033	<b>BULKHEAD, PRESSURE, 4-WAY PIECE ASSEMBLY</b>						—	—	—	
33354	E.B.675.1033	Spares for:— <b>ADAPTOR, pilot's supply line</b> ... ..						1	L.85	C	S.1
28F/8011823	AGS.904/H	Attaching parts for E.B.675.1033:— Sleeve, outer ... ..						1	—	C	
33355	E.B.675.1043	<b>CLIP, bridge, for 4-way union</b> ... ..						2	—	C	S.1
28D/1011021	A25/16C	Attaching parts for E.B.675.1043:—									
28W/9419402	SP.13/C	Bolt, 2 BA ... ..						2	—	C	
	E.B.675.1039	Washer ... ..						2	—	C	
33353	E.B.675.1039	<b>PLATE, mounting, assembly</b> ... ..						1	L.72	C	S.1
28D/9136920	A25/1C	Attaching parts for E.B.675.1039:—									
28W/9419402	SP.13/C	Bolt, 2 BA ... ..						4	—	C	
28F/18997	AGS.1126/3	Washer ... ..						4	—	C	
12030	EEAS.21/2ER	<b>UNION, piece, 4-way</b> ... ..						1	—	C	
	E.B.675.879	<b>WASHER, "D"</b> ... ..						1	L.72	C	
33340	E.B.675.881	<b>INSTALLATION AT FRAME 12</b> ... ..						—	—	—	
28D/9133012	A25/3C	Spares for:— <b>BODY, union</b> ... ..						1	—	C	
28M/1278190	AGS.2001/C/1	Attaching parts for E.B.675.881:—									
28W/9419402	SP.13/C	Bolt, 2 BA ... ..						6	—	C	
33341	E.B.675.883	Nut, 2 BA ... ..						6	—	C	
28F/9486111	AGS.1142/H	Washer ... ..						6	—	C	
26DK/4762	EEAS.20/3DU	Washer ... ..						1	S.510	C	
28F/1036552	AGS.2120/H	<b>NIPPLE, adaptor</b> ... ..						2	—	C	
28F/9439897	AGS.1142/E	<b>TAB, locking</b> ... ..						2	—	C	
28F/9486111	AGS.1142/H	<b>NIPPLE</b> ... ..						4	—	C	
	E.B.675.917	<b>NIPPLE, adaptor</b> ... ..						4	—	C	
		<b>NIPPLE, adaptor</b> ... ..						2	—	C	
		<b>PIPE, INSTALLATION, FOR BOMB AIMER'S VENTILATED SUIT</b>						—	—	—	
33351	E.B.675.975	Spares for:— <b>PIPE, assembly, flexible, for bomb aimer's suit connection</b>						1	—	C	S.1

**SERVICES**  
**AIR VENTILATED SUIT SYSTEM**

Ref. No.	Part No	Description						No. off	Mati Spec.	Cl. of Equip. M.R. L.M.	Plate No.
		1	2	3	4	5	6				
27L/	MBEU/1664										
	or										
27L/1046	O/MBEU/1748/C										
	E.B6.75.919										
33351	E.B6.75.975										S.1
33352	E.B6.75.973										S.1
33351	E.B6.75.975										
34623	E.G4.75.303										S.1
34624	E.G4.75.305										S.1
33345	E.B6.75.873										S.1
	SCD.79437/1										S.1
33347	E.B6.75.925										S.1
33348	E.B6.75.927										S.1
33349	E.B6.75.929										S.1
33350	E.B6.75.1037										S.1
28F/9439105	AGS.1105/H										
	E.B6.75.885										
33342	E.B6.75.1091										S.1
28D/9436920	A25/1C										
	E.B6.75.871										
	E.C4.75.19										S.1
27VA/6330	DUNLOP										
	ACO.23654										S.1
	NORMALAIR										
27KD/989	513390										S.1
	R. TRIST & Co.										
32749	R.T.S.Q.513										S.1
28D/9133011	A25/2C										
28D/9133012	A25/3C										

**SERVICES  
AIR VENTILATED SUIT SYSTEM**

Ref. No.	Part No.	Description	No. off	Matl. Spec.	Cl. of Equip.	Plate No.
					M.R. L.M.	
		1 2 3 4 5 6				
	E.B6.75.867	<b>VALVE, PILOT'S CONTROL, INSTALLATION</b>	—	—	—	
		Spares for:—				
33339	E.B6.75.1099	<b>PIPE</b> , taper, assembly, for connecting pipe "flexflyte" to control valve (½" x ¾" o/d)	1	L.54	C	S.1
28F/8278	AGS.1142/E	<b>NIPPLE</b> , adaptor	1	—	C	
	E.C4.75.19	<b>VALVE, COMPLETE, ASSEMBLY</b>	1	—	—	
		Spares for:—				
27VA/6330	DUNLOP ACO.23654	<b>SOCKET</b> , quick release	1	—	C	S.1
27KD/989	NORMALAIR 513390	<b>VALVE</b> , control, manual	1	—	A	S.1
32749	R. TRIST & CO. RT.SQ. S.13	<b>WASHER</b> , sealing for quick release socket	1	—	C	S.1
		Attaching parts for E.C4.75.19:—				
28D/9133011	A25/2C	Bolt, 2 BA	2	—	C	
28W/9419402	SP.13/C	Washer	2	—	C	
	E.B6.75.933	<b>SUIT, VENTILATED, CENTRE FUSELAGE, INSTALLATION</b>	—	—	—	
		Spares for:—				
	E.A3.75.643	<b>BRACKET</b> , for pipe clips on frame 28	2	—	—	
	E.B6.75.903	<b>CONNECTION, GROUND SUPPLY, VALVE, REDUCING AND PRESSURE RELIEF VALVE, GROUP</b>	—	—	—	
		Spares for:—				
33379	E.B6.75.955	<b>BLOCK</b> , three-way adaptor for pressure relief valve	1	L.64	C	S.1
		Attaching parts for E.B6.75.955:—				
28D/1011023	A25/20C	Bolt, 2 BA	2	—	C	
28W/9419402	SP.13/C	Washer	2	—	C	
27KD/969	NORMALAIR 512070	<b>CONNECTION, charging break-away</b>	1	—	B	S.1
33378	E.B6.75.1429	<b>FAIRLEAD, ASSEMBLY FOR PRESSURE REDUCING VALVE</b>	1	—	C	
		Consisting of:—				
	E.B6.75.951	<b>FAIRLEAD</b> , half (top)	1	BS.2572	—	S.1
	E.B6.75.953	<b>FAIRLEAD</b> , half (bottom)	1	BS.2572	—	S.1
		Attaching parts for E.B6.75.1429:—				
28D/12985	A25/25C	Bolt, 2 BA	2	—	C	
28M/10288	AGS.2001/C/1	Nut, stiff, 2 BA	2	—	C	
28W/9419402	SP.13/C	Washer	2	—	C	
28F/10773	AGS.1170/F	<b>NIPPLE</b>	2	—	C	
28F/8235	AGS.1142/F	<b>NIPPLE</b> , adaptor	2	—	C	
28F/8280	AGS.1142/H	<b>NIPPLE</b> , adaptor	9	—	C	
33369	E.B6.75.939	<b>PIPE</b> , assembly, from aft connection frame 12, to non-return valve	1	L.54	C	S.1
33370	E.B6.75.941	<b>PIPE</b> , assembly, from non-return valve adjacent to frame 12 and stringer 31, to break-away charging valve tee-union	1	L.54	C	S.1

**SERVICES**  
**AIR VENTILATED SUIT SYSTEM**

Ref. No.	Part No.	Description	No. off	Matl. Spec.	Cl. of Equip.	Place No.
					M.R. L.M.	
33371	E.B6.75.943	PIPE, taper assembly, from break-away charging valve tee union (3/8" x 3/4" o/d)	1	L.54	C	S.1
33372	E.B6.75.945	PIPE, assembly, from break-away charging valve tee union, to non-return valve at longeron datum, frame 13	1	L.54	C	S.1
33373	E.B6.75.947	PIPE, assembly, from non-return valve at longeron datum frame 13, to pressure relief valve mounting block	1	L.54	C	S.1
33374	E.B6.75.949	PIPE, assembly, from pressure relief valve mounting block, to pressure reducing valve	1	L.54	C	S.1
33375	E.B6.75.959	PIPE, assembly, from pressure reducing valve to connection at frame 13, centre of fuselage	1	L.54	C	S.1
33376	E.B6.75.961	PIPE, assembly, from centre of fuselage frame 13 to connection on port side	1	L.54	C	S.1
33377	E.B6.75.963	PIPE, assembly, from connection forward of frame 13 to connection aft of frame 13	1	L.54	C	S.1
33841	E.B6.75.1361	PLATE, mounting assembly, for pressure relief valve mounting block	1	L.72	C	
28F/18338	AGS.1121/2	UNION, tee	1	—	C	
27VB/5732	PAS.148-074	VALVE, reducing (to E.E.Spec. EA4.S1)	1	—	B	S.1
27VB/5761	HYMATIC RAV.158/002	VALVE, pressure relief (to E.E.Spec. EA4.S1)	1	—	A	S.1
27FR/30867	FLIGHT REFUELLING 9811125/H	VALVE, non-return	2	—	B	S.1
	E.B6.75.931	CUT IN, SUIT VENTILATED, AT FRAME 12 GROUP	—	—	—	
		Spares for:—				
33834	E.B6.75.1347	CLIP, pipe, special	4	L.72	C	
		Attaching parts for E.B6.75.1347:—				
28D/9133011	A25/2C	Bolt, 2 BA	2	—	C	
28M/10288	AGS.2001/C/1	Nut, stiff, 2 BA	2	—	C	
28W/9419475	SP.15/C	Washer	2	—	C	
6879	EEAS.143/28H	CLIP, pipe, bonding	3	—	C	
		Attaching parts for EEAS.143/28H:—				
28D/9133011	A25/2C	Bolt, 2 BA	1	—	C	
28M/10288	AGS.2001/C/1	Nut, stiff, 2 BA	1	—	C	
12030	EEAS.21/2ER	Washer "D"	1	L.72	C	
28W/9419475	SP.15/C	Washer	1	—	C	
28F/19144	AGS.2120/J	NIPPLE	1	—	C	
28F/8280	AGS.1142/H	NIPPLE, adaptor	1	—	C	
28F/8216	AGS.1142/J	NIPPLE, adaptor	3	—	C	
15183	E.B6.75.219	PIPE, assembly, from port wing connection to connection on frame 21	1	L.56	C	S.1
33367	E.B6.75.1009	PIPE, assembly, continuation across frame 21 to tee joint	1	T.26	C	S.1

**SERVICES**  
**AIR VENTILATED SUIT SYSTEM**

Ref. No.	Part No.	Description						No. off	Matl Spec.	Cl. of Equip.	Plate No.
		1	2	3	4	5	6			M.R.	
33368	E.B6.75.1011	PIPE, assembly, from tee joint to starboard wing connection						1	L.56	C	S.1
	E.B6.75.597	SHIM, for port and starboard wing connection unions						2	Laminated Aluminium	—	
980	EEAS.20/1DR	TAB, locking ... ..						2	L.72	C	
28F/4051879	AGS.1121/3	UNION, tee ... ..						1	—	C	
	EEAS.237/7A	WASHER, "D", for bonding clips ... ..						3	—	—	
28F/4051592	AGS.1170/F	NIPPLE ... ..						2	—	C	
28F/1036552	AGS.2120/H	NIPPLE ... ..						8	—	C	
33356	E.B6.75.1003	PIPE, assembly, from connection aft of frame 13 to connection between frames 17 and 18, port side of fuselage						1	L.54	C	S.1
33357	E.B6.75.1005	PIPE, assembly, from connection between frames 17 and 18 to forward connection of water separator						1	L.54	C	S.1
33358	E.B6.75.1007	PIPE, taper assembly, aft connection of water separator (1" x 1/4" o/d.)						1	—	C	S.1
33359	E.B6.75.1013	PIPE, assembly, from connection forward of frame 20 to connection between frames 22 and 23, port side of fuselage						1	L.54	C	S.1
33360	E.B6.75.1015	PIPE, assembly, from connection between frames 22 and 23 to connection between frames 24 and 25, port side of fuselage						1	L.54	C	S.1
33361	E.B6.75.1017	PIPE, assembly, from connection between frames 24 and 25 to connection between frames 27 and 28, port side of fuselage						1	L.54	C	S.1
33362	E.B6.75.1019	PIPE, assembly, from connection between frames 27 and 28 to connection, centre of fuselage between frames 28 and 29						1	L.54	C	S.1
33363	E.B6.75.1021	PIPE, assembly, continuation from centre fuselage connection to connection, starboard side of fuselage, frames 28 and 29						1	L.54	C	S.1
33364	E.B6.75.1023	PIPE, assembly, from connection between frames 28 and 29 to connection between frames 24 and 25, starboard side of fuselage						1	L.54	C	S.1
33365	E.B6.75.1025	PIPE, assembly, from connection between frames 24 and 25 to connection between frames 21 and 22, starboard side of fuselage						1	L.54	C	S.1
33366	E.B6.75.1027	PIPE, assembly, from connection between frames 21 and 22 to tee joint forward of frame 21, starboard side of fuselage						1	L.54	C	S.1
	E.B6.75.977	SEPARATOR, WATER, INSTALLATION ... ..						—	—	—	S.1
		Spares for:—									
33382	E.B6.75.979	BRACKET, assembly, for water separator ... ..						1	L.72	C	S.1

**SERVICES  
AIR VENTILATED SUIT SYSTEM**

Ref. No.	Part No.	Description						No. off	Matl Spec.	Cl. of Equip. M.R. L.M.	Plate No.
		1	2	3	4	5	6				
33383	E.B6.75.995	<b>CLIP</b> , attachment for water separator ... ..						1	—	C	S.1
		Attaching parts for E.B6.75.995:—									
28D/9133011	A25/2C	<b>Bolt</b> , 2 BA ... ..						2	—	C	
28W/9419402	SP.13/C	<b>Washer</b> ... ..						2	—	C	
28F/1014970	AGS.1104/A	<b>CONE</b> , adaptor, for water vent pipe connection to separator						1	—	C	
33381	E.B6.75.993	<b>CONNECTOR</b> , water vent pipe to fuselage ...						1	L.85	C	S.1
28F/8011897	AGS.1142/F	<b>NIPPLE</b> , adaptor ... ..						2	—	C	
	E.B6.75.999	<b>PAD</b> , felt, for clip attachment to water separator						1	DTD.S90	—	
	E.B6.75.991	<b>PAD</b> , stress, for clip attachment bolts ... ..						2	L.72	—	
33380	E.B6.75.989	<b>PIPE</b> , assembly, water vent ... ..						1	L.54	C	S.1
	GODFREY										
27UA/1952	119013	<b>SEPARATOR</b> , water WE.5, Mk. 4 ... ..						1	—	A	S.1
981	EEAS.20/2DR	<b>TAB</b> , locking, for water vent pipe ... ..						1	L.72	C	
28W/1011696	AGS.164/E	<b>WASHER</b> , jointing, for water vent pipe adaptor						1	Fibre	C	
12030	EEAS.21/2ER	<b>WASHER</b> , "D" ... ..						6	L.72	C	

**SERVICES**  
**CABIN PRESSURE SYSTEM IN CENTRE FUSELAGE**

Ref. No.	Part No.	Description	No. off	Matl. Spec.	Cl. of Equip.	Plate No.
					M.R. L.M.	
	E.B6.75.5	<b>CABIN, PRESSURE SYSTEM IN CENTRE FUSELAGE, ASSEMBLY</b>	—	—	—	
11476	E.B6.75.639	<b>BRACKET</b> , for starboard cabin pressure wing to fuselage pipe between frames 16 and 17 Attaching parts for E.B6.75.639:—	1	L.59	C	S.6
28D/9133013	A25/5C	Bolt, 2 BA	2	—	C	
28M/10288	AGS.2001/C/1	Nut, stiff, 2 BA	2	—	C	
28W/9419475	SP.15/C	Washer	2	—	C	
1335	E.A1.75.105	<b>CLIP</b> , pipe, between frames 12 to 17	4	L.72	C	S.6
1707	E.A2.75.37	<b>CLIP</b> , pipe, for port and starboard elbows and transverse pipe at frame 16	4	L.72	C	S.6
	E.B6.75.181	<b>CLIP</b> , pipe, for transverse pipe at frame 16 Attaching parts for E.A1.75.105, E.A2.75.37 and E.B6.75.181:—	4	L.72	—	S.6
28D/9436920	A25/1C	Bolt, 2 BA (As required)	2	—	C	
28D/9133011	A25/2C	Bolt, 2 BA (As required)	2	—	C	
28D/9133012	A25/3C	Bolt, 2 BA (As required)	2	—	C	
28D/1200119	A25/4C	Bolt, 2 BA (As required)	2	—	C	
28M/10288	AGS.2001/C/1	Nut, stiff, 2 BA	2	—	C	
28W/9419475	SP.15/C	Washer	2	—	C	
5889	E.B6.75.183	<b>CLIP</b> , special, for lagging on transverse pipe on frame 16	6	—	C	S.6
28F/8011809	AGS.1104/B	<b>CONE</b> , adaptor	1	—	C	
1440	E.A3.75.147	<b>CONNECTION</b> , rubber, 2"5 i/d. x 1/2" x 2"5	6	SILASTIC 150	C	S.6
	DUNLOP					
33006	DAS.582/40/24	<b>CONNECTOR</b> , tubing	QR	—	C	
	E.A9.75.567	<b>FAIRLEAD</b> , for port cabin pressure wing to fuselage pipe, between frames 16 and 17 Attaching parts for E.A9.75.567:—	1	LFS.21	—	S.6
28D/1200119	A25/4C	Bolt, 2 BA	6	—	C	
28M/10288	AGS.2001/C/1	Nut, stiff, 2 BA	6	—	C	
28W/9419475	SP.15/C	Washer	6	—	C	
	E.B6.75.643	<b>NIPPLE</b> , special (Make from AGS.1142/1)	1	—	C	S.6
28F/12071	AGS.1170/K	<b>NIPPLE</b>	1	—	C	S.6
		Attachments for nipple. AGS.1170/K:—				
28E/9129562	AGS.605/3	Clip	2	—	C	
15179	E.B6.75.179A	Lagging	2	—	C	
28F/9517920	AGS.1142/K	<b>NIPPLE</b> , adaptor	1	—	C	
5890	E.B6.75.157	<b>PIECE</b> , four-way, bombsight and cabin pressure air supply at frame 16	1	DTD.683	C	S.6
1328	E.A3.75.55	<b>PIPE</b> , from rubber joint at frame 13 to rubber joint at frame 12, 2 1/2" o/d. x 20 SWG Attachments for Pipe, E.A3.75.55:—	1	L.54	C	S.6
28E/9130219	AGS.605/4	Clip	2	—	C	
15163	E.B6.75.129A	Lagging	1	—	C	
15164	E.B6.75.131A	Lagging	1	—	C	

**SERVICES**  
**CABIN PRESSURE SYSTEM IN CENTRE FUSELAGE**

Ref. No.	Part No.	Description	No. off	Matl. Spec.	Cl. of Equip.		Plate No.
					M.R.	L.M.	
1329	E.A3.75.57	PIPE, from rubber joint at frame 13 to rubber joint at frame 14 and frame 14 to frame 15, 2½" o/d. x 20 SWG	2	L.54	C		S.6
28E/9130219	AGS.605/4	Attachments for Pipe, E.A3.75.57:—					
15165	E.B6.75.133A	Clip	4	—	C		
39007	E.B6.75.135	Lagging	2	—	C		
15166	E.B6.75.137A	Lagging	1	—	C		
15167	E.B6.75.139A	Lagging	1	—	C		
15168	E.B6.75.141A	Lagging	1	—	C		
15169	E.B6.75.143A	Lagging	1	—	C		
1330	E.A3.75.59	Pipe, from rubber joint at frame 15 to rubber joint at frame 16, 2½" o/d. x 20 SWG	1	L.54	C		S.6
28E/9130219	AGS.605/4	Attachments for Pipe, E.A3.75.59:—					
40127	E.B6.75.707A	Clip	2	—	C		
40466	E.B6.75.709A	Lagging	1	—	C		
1331	E.A3.75.61	PIPE, from rubber joint at frame 16 to rubber joint at elbow, 2½" o/d. x 20 SWG	1	L.54	C		S.6
32B/1270	†	Attachments for Pipe, E.A3.75.61:—					
5891	E.B6.75.151	Lagging, fibre glass blanket	QR	—	LM		
5891	E.B6.75.151	PIPE, assembly, from coupling forward of frame 16 to rear camera bay tee piece	1	L.56	C		S.6
32B/1270	†	Attachments for Pipe, E.B6.75.151:—					
5892	E.B6.75.153	Lagging, fibre glass blanket	QR	—	LM		
5892	E.B6.75.153	PIPE, assembly, transverse from special 4-way union to joint forward of frame 16	1	L.54	C		S.6
28E/9129562	AGS.605/3	Attachments for Pipe, E.B6.75.153:—					
15174	E.B6.75.167A	Clip	6	—	C		
15175	E.B6.75.169A	Clip	2	—	C		
15177	E.B6.75.175A	Lagging	2	—	C		
15178	E.B6.75.177A	Lagging	2	—	C		
15196	E.B6.75.613A	Lagging	1	—	C		
32B/1270	†	Lagging, fibre glass blanket	QR	—	LM		
5893	E.B6.75.503	PIPE, assembly, from port wing connection to special 4-way piece	1	L.56	C		S.6
32B/1270	†	Attachments for Pipe, E.B6.75.503:—					
5894	E.B6.75.505	Lagging, fibre glass blanket	QR	—	LM		
5894	E.B6.75.505	PIPE, assembly, from starboard wing connection to rear camera bay tee piece	1	L.56	C		S.6
28E/9129562	AGS.605/3	Attachments for Pipe, E.B6.75.505:—					
28E/9129092	AGS.605/2	Clip	3	—	C		
15172	E.B6.75.163A	Clip	1	—	C		
15173	E.B6.75.165A	Lagging	1	—	C		
15188	E.B6.75.541A	Lagging	1	—	C		
15189	E.B6.75.543A	Lagging	1	—	C		

**SERVICES  
CABIN PRESSURE SYSTEM IN CENTRE FUSELAGE**

Ref. No.	Part No.	Description	No. off	Matl. Spec.	Cl. of Equip.		Plate No.
					M.R.	L.M.	
		1 2 3 4 5 6					
5895	E.B6.75.507	PIPE, elbow joint between port wing and fuselage ...	1	L59	C		S.6
32B/1234	†	Attachments for Pipe E.B6.75.507:—					
13220	E.B6.75.823	Lagging, fibre glass blanket ...	QR	—	LM		
28F/14773	AGS.1121/4	UNION, reducing, special, aft of frame 16 for rear camera bay air supply	1	DTD.683	C		S.6
		UNION, tee, special ...	1	—	C		

**SERVICES**  
**CABIN PRESSURE SYSTEM IN CENTRE FUSELAGE**

Ref. No.	Part No.	Description						No. off	Matl Spec.	Cl. of Equip. M.R. L.M.	Plate No.
		1	2	3	4	5	6				
	E.G4.75.17	<b>PIPES, COLD AIR UNIT, ACROSS BOMB BAY, AT FRAME 21, INSTALLATION</b>						—	—	—	
33834	E.B6.75.1347	Spares for:—									
		<b>CLIP</b> , pipe, special ... ..						4	L.72	C	S.1
		Attaching parts for E.B6.75.1347:—									
28D/9133011	A25/2C	Bolt, 2 BA ... ..						2	—	C	
28M/1278190	AGS.2001/C/1	Nut, 2 BA ... ..						2	—	C	
28W/9419475	SP.15/C	Washer ... ..						2	—	C	
5K/1037444	AS.3360/C4C	<b>LEAD</b> , bonding ... ..						3	—	C	
28F/11906	AGS.1170/J	<b>NIPPLE</b> ... ..						1	—	C	
28F/9486111	AGS.1142/H	<b>NIPPLE</b> , adapter ... ..						1	—	C	
28F/9513420	AGS.1142/J	<b>NIPPLE</b> , adapter ... ..						3	—	C	
15183	E.B6.75.219	<b>PIPE</b> , assembly, from port wing union to coupling on frame 21						1	L.56	C	S.1
33367	E.B6.75.1009	<b>PIPE</b> , assembly, continuation across frame 21 to tee piece						1	T.26	C	S.1
33368	E.B6.75.1011	<b>PIPE</b> , assembly, from tee piece to starboard wing union						1	L.56	C	S.1
980	EEAS.20/1DR	<b>TAB</b> , locking ... ..						4	L.72	C	
28F/9517916	AGS.1112/J	<b>UNION</b> , bulkhead, flanged ... ..						2	—	C	
		Attaching parts for AGS.1112/J:—									
28D/9133012	A25/3C	Bolt, 2 BA ... ..						6	—	C	
28M/1278190	AGS.2001/C/1	Nut, 2 BA ... ..						6	—	C	
	E.B6.75.597	Shim (if required) ... ..						1	Laminated Aluminium	—	
28F/4051810	AGS.1115/12	Washer, plate ... ..						1	—	C	
28F/4051879	AGS.1121/3	<b>UNION</b> , tee ... ..						1	—	C	
26DK/7871	EEAS.237/7A	<b>WASHER</b> , D, for bonding clips ... ..						3	—	C	

**SERVICES**  
**CABIN PRESSURE SYSTEM IN FRONT FUSELAGE**

Ref. No.	Part No.	Description	No. off	Matl Spec.	Cl. of Equip. M.R. L.M.	Plate No.
	E.G4.75.403	<b>CABIN PRESSURE SYSTEM IN FRONT FUSELAGE ASSEMBLY (Mod. 4799)</b>	—	—	—	
		Spares for:—				
1333	E.A3.75.83	<b>ADAPTOR</b> , non-return valve mounting ... ..	1	DTD.289	C	S.4/5
		Attaching parts for E.A3.75.83:—				
28D/9436920	A25/1C	Bolt, 2 BA ... ..	1	—	C	
28D/9133013	A25/5C	Bolt, 2 BA ... ..	5	—	C	
28M/1278190	AGS.2001/C/1	Nut, 2 BA ... ..	5	—	C	
1345	E.A3.75.95	Washer, sealing ... ..	2	LANGITE	C	S.5
1347	E.A3.75.139	Washer, retaining, forward of pressure bulkhead ...	1	L.72	C	S.5
28W/9416643	SP.47/C	Washer ... ..	1	—	C	
	GODFREY					
27UA/516	22688	<b>ADAPTOR</b> , water extractor drain ... ..	1	—	C	S.5
	E.A3.75.177	<b>BRACKET</b> , pipe support clip ... ..	4	L.72	C	S.4
6734	EEAS.136	<b>BRACKET</b> , pipe support clip ... ..	2	—	C	
	or					
5340-99-416	EEAS.136/A					
-3724						
16561	E.B6.75.369	<b>BRACKET</b> , assembly, support, forward, water ex- tractor	1	—	C	S.5
16590	E.B6.75.591	<b>BRACKET</b> , assembly, support, aft, water extractor	1	—	C	S.5
		Attaching parts for E.B6.75.369 and E.B6.75.591:—				
28D/9435710	A25/11C	Bolt, 2 BA ... ..	4	—	C	
28M/1278190	AGS.2001/C/1	Nut, 2 BA ... ..	4	—	C	
	AS.2811/5/093	Piece, distance ... ..	4	L.62	LM	
28W/9419475	SP.15/C	Washer ... ..	4	—	C	
	E.G4.75.421	<b>CABIN PRESSURE, STATIC LINE, ASSEMBLY</b> (See Page SY1)	—	—	—	
1335	E.A1.75.105	<b>CLIP</b> , pipe, special, at frame 2 and 6 ... ..	2	L.72	C	S.4
1707	E.A2.75.37	<b>CLIP</b> , pipe, special ... ..	3	L.72	C	S.4
		Attaching parts for E.A1.75.105 and E.A2.75.37:—				
28D/9436920	A25/1C	Bolt, 2 BA ... ..	2	—	C	
28M/1278190	AGS.2001/C/1	Nut, 2 BA ... ..	2	—	C	
28W/9419475	SP.15/C	Washer ... ..	2	—	C	
18683	E.B7.75.505	<b>CLIP</b> , lagging ... ..	4	—	C	
6616	E.B7.75.507	<b>CLIP</b> , lagging, between frame A and 1 ... ..	3	GLASS CLOTH	C	S.4
		Attaching parts for E.B7.75.505 and E.B7.75.507:—				
28D/1212965	A61/2B	Bolt, 2 BA ... ..	1	—	C	
28M/1956039	AGS.2001/B/3	Nut, 2 BA ... ..	1	—	C	
28W/9419474	SP.15/B	Washer ... ..	1	—	C	
	E.B6.75.623	<b>CLIP</b> , pipe ... ..	1	—	—	
		Attaching parts for E.B6.75.623:—				
28D/9137408	AS.1246/1B	Bolt, 4 BA ... ..	2	—	C	
28M/9418217	AGS.2001/B/2	Nut, 4 BA ... ..	2	—	C	
28F/1014970	AGS.1104/A	<b>CONE</b> , adaptor ... ..	2	—	C	
		Attaching parts for AGS.1104/A:—				
28W/9147639	AGS.567/A	Washer, jointing ... ..	1	FIBRE	C	
1708	E.A3.75.145	<b>CONNECTION</b> , rubber, 1½" i/d. ... ..	5	SILASTIC	C	S.4
1440	E.A3.75.147	<b>CONNECTION</b> , rubber, 2½" i/d. ... ..	5	SILASTIC	C	S.4
	or					
	DUNLOP					
33006	DAS.582/40/24	<b>CONNECTOR</b> , tubing ... ..	QR	—	C	

**SERVICES**  
**CABIN PRESSURE SYSTEM IN FRONT FUSELAGE**

Ref. No.	Part No	Description						No. off	Matl Spec.	Cl. of Equip. M.F. L.M.	Plate No.
		1	2	3	4	5	6				
6976	E.B7.75.125	<b>CONNECTOR</b> , flanged, for main pipe at frame 3, L.H.						1	GLASS CLOTH	C	S.4
6977	E.B7.75.126	<b>CONNECTOR</b> , flanged, for main pipe at frame 4, R.H.						1	GLASS CLOTH	C	S.4
6978	E.B7.75.127	<b>CONNECTOR</b> , flanged, for main pipe at frame 5 ... Attaching parts for E.B7.75.125, E.B7.75.126 or E.B7.75.127:—						1	—	C	S.4/5
28D/1008149	A25/2B	Bolt, 4 BA ...						6	—	C	
28E/9708192	SP.91/P	Clip ...						6	—	C	
16635	E.B7.75.415A	Lagging ...						2	—	C	
28M/1278189	AGS.2001/B/1	Nut, 4 BA ...						6	—	C	
18659	E.B7.75.129	Ring, half bolt, at frame 3 and 4 ...						2	L.59	C	S.4
18860	E.B7.75.131	Ring, half bolt, at frame 5 ...						2	L.59	C	S.4/5
28W/9419474	SP.15/B	Washer ...						6	—	C	
6504	E.B6.75.379	<b>COUPLING</b> , water extractor, drain pipe outlet aft of frame 10						1	DTD.423	C	S.5
6980	E.B7.75.23	<b>DIFFUSER</b> , assembly, navigator ...						1	—	C	S.4
	E.B7.75.63	<b>DIFFUSER, PILOT'S, ASSEMBLY</b> ... Spares for:—						—	—	—	
19913	E.B7.75.29	<b>BRACKET</b> , diffuser mounting ...						1	L.59	C	
	E.B7.75.31	<b>CLIP</b> , diffuser retaining ...						1	L.59	—	S.4
6980	E.B7.75.23	<b>DIFFUSER</b> , assembly ...						1	—	C	S.4
	GODFREY										
27UA/555	22697/B	<b>EXTRACTOR</b> , water, type WE30, Mk. 2 ... Attaching parts for 22697/B:—						1	—	B	S.4
16568	E.B6.75.397	Lagging ...						1	—	C	
16569	E.B6.75.399	Lagging ...						1	—	C	
28M/1278190	AGS.2001/C/1	Nut, 2 BA ...						2	—	C	
	AS.2811/5/093	Piede, distance ...						2	L.62	LM	S.5
16563	E.B6.75.381	Rod, tension ...						2	S.92	C	S.5
16562	E.B6.75.377	Strap, securing ...						2	L.72	C/MR	S.5
6617	E.B6.75.383	Trunnion ...						2	S.92	C	S.5
28W/9419475	SP.15/C	Washer ...						2	—	C	
	E.G4.75.23	<b>FISHTAIL</b> , navigator's diffuser ... Attaching parts for E.G4.75.23:—						1	—	—	S.4
28D/9133012	A25/3C	Bolt, 2 BA ...						2	—	C	
28M/1278190	AGS.2001/C/1	Nut, 2 BA ...						2	—	C	
28W/9419402	SP.13/C	Washer ...						2	—	C	
	E.B7.75.59	<b>FISHTAIL, PILOT'S, ASSEMBLY</b> ... Spares for:—						—	—	—	S.4
5722	E.B7.75.21	<b>FISHTAIL</b> , pilot's diffuser ... Attaching parts for E.B7.75.21:—						1	—	C	
28D/1010658	A25/1B	Bolt, 4 BA ...						4	—	C	
16635	E.B7.75.415A	<b>LAGGING</b> , special, for pipe joints ...						5	GLASS CLOTH	C	S.4
	THERMO-TANKS										
5042	DAR.2	<b>LOUVRE</b> , punkah, navigator's ... Attaching parts for DAR.2:—						1	—	B	S.4
28D/1214866	AS.1246/4B	Bolt, 4 BA ...						3	—	C	
28M/1278189	AGS.2001/B/1	Nut, 4 BA ...						3	—	C	
28W/9419465	SP.13/B	Washer ...						3	—	C	

**SERVICES**  
**CABIN PRESSURE SYSTEM IN FRONT FUSELAGE**

Ref. No.	Part No.	Description						No. off	Matl Spec.	Cl. of Equip. M.R. L.M.	Plate No.
		1	2	3	4	5	6				
	E.B7.75.61	<b>LOUVRE, PILOT'S (PEDAL GUARD), ASSEMBLY</b> ...						—	—	—	S.4
16606	E.B7.75.41	Spares for:— <b>BRACKET</b> , punkah, louvre, mounting ...						1	L.72	C	S.5
28D/9140202	AS.1246/1C	Attaching parts for E.B7.75.41:—									
28M/1278190	AGS.2001/C/1	Bolt, 2 BA ...						3	—	C	
		Nut, 2 BA ...						3	—	C	
5042	THERMO-TANKS DAR.2	<b>LOUVRE</b> , punkah ...						1	—	B	S.4/5
28D/1213215	AS.2922/4B	Attaching parts for DAR.2:—									
28M/1278189	AGS.2001/B/1	Bolt, 4 BA ...						3	—	C	
28W/9143227	SP.14/B	Nut, 4 BA ...						3	—	C	
		Washer ...						3	—	C	
	E.G4.75.315	<b>LOUVRE, PILOT'S (STARBOARD SIDE), ASSEMBLY</b> (MOD. 3564)						—	—	—	S.4
34504	E.G4.75.311	<b>BOX</b> , louvre, assembly ...						1	—	C	S.5
28D/7002428	A25/6C	Attaching parts for E.G4.75.311:—									
28M/1278190	AGS.2001/C/1	Bolt, 2 BA ...						2	—	C	
	AS.2811/5/046	Nut, 2 BA ...						2	—	C	
		Piece, distance ...						2	L.62	LM	
16604	E.B7.75.35	<b>BRACKET</b> , punkah, louvre, mounting ...						1	L.72	C	S.5
16605	E.B7.75.37	<b>BRACKET</b> , punkah, louvre, mounting ...						1	L.72	C	S.5
28D/1010658	A25/1B	Attaching parts for E.B7.75.35 and E.B7.75.37:—									
28M/1278189	AGS.2001/B/1	Bolt, 4 BA ...						1	—	C	
28W/9419465	SP.13/B	Nut, 4 BA ...						1	—	C	
		Washer ...						1	—	C	
16608	E.B7.75.523	<b>BRACKET</b> , demand, oxygen hose clip, attachment ...						1	L.72	C	S.5
20635	E.B7.75.55	<b>LOUVRE</b> , punkah, Type DAR.2 (May be made from Ref. 5042)						1	—	B	S.4
28D/1213214	AS.2922/3B	Attaching parts for E.B7.75.55:—									
28W/9143227	SP.14/B	Bolt, 4 BA ...						3	—	C	
		Washer ...						3	—	C	
28F/8011885	AGS.1142/B	<b>NIPPLE</b> , adaptor ...						2	—	C	
1730	E.A3.75.167	<b>NOZZLE</b> , hot air, bomb aimer's window ...						1	—	C	S.4
1738	E.A3.75.279	<b>PIPE</b> , bend, between nose frames A and B ...						1	L.54	C	S.4
1739	E.A3.75.281	<b>PIPE</b> , bend, at nose, frame B ...						1	L.54	C	S.4
5900	E.B6.75.367	<b>PIPE</b> , assembly, water extractor drain ...						1	L.56	C	S.5
20866	E.B6.75.687	<b>PIPE</b> , bend, between Normalair non-return valve and hose coupling at frame 9						1	GLASS CLOTH	C	S.4
28E/19826	SP.91/N	Attachments for E.B6.75.687:—									
28E/9708192	SP.91/P	Clip ...						2	—	C	
16564	E.B6.75.385	Clip ...						1	—	C	
16565	E.B6.75.387	Lagging ...						1	—	C	
		Lagging ...						1	—	C	
20867	E.B6.75.689	<b>PIPE</b> , bend, from water extractor forward coupling to hose coupling at frame 9						1	GLASS CLOTH	C	S.4
28E/9708192	SP.91/P	Attachments for Pipe, E.B6.75.689:—									
16566	E.B6.75.389	Clip ...						2	—	C	
16567	E.B6.75.391	Lagging ...						1	—	C	
		Lagging ...						1	—	C	

**SERVICES  
CABIN PRESSURE SYSTEM IN FRONT FUSELAGE**

Ref. No.	Part No	Description						No. off	Mat. Spec.	Cl. of Equip. M.R. L.M.	Plate No.
		1	2	3	4	5	6				
20868	E.B6.75.691	PIPE, bend, from hose coupling between frames 11 and 12A to coupling aft of frame 12A						1	GLASS CLOTH	C	S.4
32B/1234	†	Attachments for Pipe, E.B6.75.691:—									
32B/1000	†	Lagging, fibre glass blanket ... ..						QR	—	LM	
		Tape, adhesive ... ..						QR	—	C	
20869	E.B6.75.693	PIPE, from water extractor aft coupling, to coupling between frames 11 and 12A						1	GLASS CLOTH	C	S.4
		Attachments for Pipe, E.B6.75.693:—									
28E/19826	SP.91/N	Clip ... ..						2	—	C	
12058	E.B6.75.393	Lagging ... ..						1	—	C	
12059	E.B6.75.395	Lagging ... ..						1	—	C	
12243	E.B6.75.695	PIPE, main, continuation, between frames 3 and 4						1	GLASS CLOTH	C	S.4
		Attachments for Pipe, E.B6.75.695:—									
28D/1212965	A61/2B	Bolt, 4 BA ... ..						2	—	C	
18683	E.B7.75.505	Clip ... ..						2	—	C	
16615	E.B7.75.203A	Lagging ... ..						2	—	C	
28M/1956039	AGS.2001/B/3	Nut, 4 BA ... ..						2	—	C	
28W/9419474	SP.15/B	Washer ... ..						4	—	C	
5723	E.B7.75.69	PIPE, branch, assembly, for pilot's louvre, navigator's diffuser and canopy demisting						1	L.54	C	S.4
		Attachments for Pipe E.B7.75.69:—									
28E/2027591	SP.91/L	Clip ... ..						6	—	C	
18665	E.B7.75.209A	Lagging ... ..						1	—	C	
18666	E.B7.75.211A	Lagging ... ..						1	—	C	
18667	E.B7.75.213A	Lagging ... ..						1	—	C	
18668	E.B7.75.215A	Lagging ... ..						1	—	C	
18687	E.B7.75.597A	Lagging ... ..						2	—	C	
5724	E.B7.75.71	PIPE, branch, for pilot's louvre (Pedal guard) ...						1	L.54	C	S.4
5728	E.B7.75.79	PIPE, flanged, canopy demisting at frame 2 ...						1	L.54	C	S.4
		Attachments for Pipe E.B7.75.79:—									
28E/19824	SP.91/J	Clip ... ..						3	—	C	
18670	E.B7.75.219A	Lagging ... ..						1	—	C	
37441	E.B7.75.805A	Lagging ... ..						1	—	C	
5730	E.B7.75.89	PIPE, branch, main, between frames 1 and 2 for diffuser and canopy demisting						1	L.54	C	S.4
		Attachments for Pipe E.B7.75.89:—									
28E/2027591	SP.91/L	Clip ... ..						2	—	C	
28E/19826	SP.91/N	Clip ... ..						3	—	C	
16616	E.B7.75.205A	Lagging ... ..						2	—	C	
16638	E.B7.75.511A	Lagging ... ..						1	—	C	
18684	E.B7.75.513A	Lagging ... ..						1	—	C	
5737	E.B7.75.223	PIPE, flexible, for pilot's fishtail (Pre-Mod. 3707) ...						1	BELLS ASBESTOS	C	
34691	E.B7.75.5269	PIPE, flexible, for pilot's fishtail (Mod. 3707) ...						1	—	C	S.4
	E.B6.75.1445	PIPE, flexible, from main branch at frame 2 (Pre-Mod. 3707) (Made from Ref. 13016)						1	—	—	
34692	E.B7.75.5271	PIPE, flexible, from main branch pipe at frame 2 (Mod. 3707) (Made from Ref. 34324)						1	—	C	S.4

**SERVICES**  
**CABIN PRESSURE SYSTEM IN FRONT FUSELAGE**

Ref. No.	Part No.	Description	No. off	Matl Spec.	Cl. of Equip.	Plate No.
					M.R. L.M.	
		1 2 3 4 5 6				
5742	E.B7.75.233	PIPE, flexible, from branch pipe to pilot's louvre (Pre-Mod. 3707)	1	BELLS ASBESTOS	C	
34696	E.B7.75.5279	PIPE, flexible, from branch pipe to pilot's louvre (Mod. 3707)	1	—	C	S.4
34503	E.G4.75.309	PIPE, flexible, from branch pipe to pilot's louvre	1	BELLS ASBESTOS	C	S.4
34502	E.G4.75.313	PIPE, from flexible pipe to pilot's louvre ...	1	L.54	C	S.4
5744	E.B7.75.239	PIPE, flexible, from branch pipe to navigator's diffuser (Pre-Mod. 3707)	1	BELLS ASBESTOS	C	
34698	E.B7.75.5283	PIPE, flexible, from branch pipe to navigator's diffuser (Mod. 3707)	1	—	C	S.4
12249	E.B7.75.781	PIPE, main continuation between frames 5 and 6 ...	1	GLASS CLOTH	C	S.4
		Attachments for Pipe E.B7.75.781:—				
28E/19826	SP.91/N	Clip ...	3	—	C	
16611	E.B7.75.195A	Lagging ...	1	—	C	
16612	E.B7.75.197A	Lagging ...	1	—	C	
16613	E.B7.75.199A	Lagging ...	2	—	C	
12247	E.B7.75.783	PIPE, flanged, main, at forward face of pressure bulkhead	1	GLASS CLOTH	C	S.4/5
		Attachments for Pipe E.B7.75.783:—				
28E/19826	SP.91/N	Clip ...	2	—	C	
28E/4062142	SP.91/R	Clip ...	1	—	C	
16609	E.B7.75.155A	Lagging ...	1	—	C	
16610	E.B7.75.159A	Lagging ...	1	—	C	
18664	E.B7.75.157A	Lagging ...	1	—	C	
18686	E.B7.75.525A	Lagging ...	1	—	C	
19915	E.B7.75.509A	Lagging ...	1	—	C	
16642	E.B7.75.697A	Lagging ...	1	—	C	
12248	E.B7.75.791	PIPE, branch, pilot's fishtail ...	1	GLASS CLOTH	C	S.4
		Attachments for Pipe E.B7.75.791:—				
28D/1212965	A61/2B	Bolt, 4 BA ...	3	—	C	
6616	E.B7.75.507	Clip ...	3	—	C	
32B/1234	†	Lagging; fibre glass blanket ...	QR	—	LM	
28M/1956039	AGS.2001/B/3	Nut, 4 BA ...	3	—	C	
28W/9419474	SP.15/B	Washer ...	6	—	C	
12245	E.B7.75.793	PIPE, main continuation, between frames 4 and 5 ...	1	GLASS CLOTH	C	S.4
		Attachments for Pipe E.B7.75.793:—				
28D/1212965	A61/2B	Bolt, 4 BA ...	2	—	C	
18683	E.B7.75.505	Clip ...	2	—	C	
16614	E.B7.75.201A	Lagging ...	2	—	C	
28M/1956039	AGS.2001/B/3	Nut, 4 BA ...	2	—	C	
28W/9419474	SP.15/B	Washer ...	4	—	C	
33604	E.B6.75.1053	PIPE, branch, pilot's diffuser and navigator's louvre	1	L.54	C	
33602	E.B6.75.1059	PIPE, branch, pilot's diffuser, navigator's louvre and fishtail	1	L.54	C	S.4
	SCC.79989	PIPE, from branch pipe to navigator's fishtail (SRIM.3533) (Mod. 4799) 3/4" o/d x 22 SWG	1	L.56	LM	S.4

**SERVICES**  
**CABIN PRESSURE SYSTEM IN FRONT FUSELAGE**

Ref. No.	Part No	Description	No. off	Matl Spec.	Cl. of Equip.	Plate No.
					M.R. L.M.	
		1 2 3 4 5 6				
	E.B6.75.1049	PIPE, assembly, from pressure control valve ...	1	L.54	LM	S.4
	E.B6.75.1047	PIPE, assembly, intermediate, between pressure control valve and master unit	1	L.54	LM	S.4
	E.B6.75.1045	PIPE, assembly, connecting master unit to pressure control valve line	1	L.54	LM	S.4
39993	E.B6.75.1063	PIPE, bend from branch pipe to coupling aft of frame 3	1	L.54	C	S.4
	E.B6.75.1103	PIPE, flexible, to pilot's diffuser (Make from Ref. 13016)	1	BELLS ASBESTOS	LM	S.4
	E.B6.75.1105	PIPE, flexible, to navigator's louvre (Make from Ref. 13016)	1	BELLS ASBESTOS	LM	S.4
5901	E.B7.75.613	SEAL, canopy demister pipe flange at frame 2 ...	2	ASBESTOS	C	S.10
		Attaching parts for E.B7.75.613:—				
28D/9133012	A25/3C	Bolt, 2 BA	6	—	C	
28M/1278190	AGS.2001/C/1	Nut, 2 BA	6	—	C	
28W/9419475	SP.15/C	Washer	6	—	C	
	E.B6.75.1107	SLEEVE, pipe connecting	3	SILASTIC ASBESTOS	C	S.4
33601	E.B6.75.1109	SLEEVE, pipe connecting	1	SILASTIC ASBESTOS	C	S.4
	EEAS.20/2BR NORMALAIR	TAB, wire locking	1	—	—	
27KD/3	500326	UNIT, master	1	—	A	S.4
		Attaching parts for 500326:—				
28D/1011030	A25/2E	Bolt, 1" BSF	2	—	C	
28M/9480017	AGS.2001/E/1	Nut, 1" BSF	2	—	C	
28W/9419405	SP.15/E	Washer	2	—	C	
	NORMALAIR	VALVE, non-return	1	—	A	S.4/5
27KD/7	500457	Attaching parts for 500457:—				
28D/9133012	A25/3C	Bolt, 2 BA	2	—	C	
28D/9133013	A25/5C	Bolt, 2 BA	10	—	C	
28M/1278190	AGS.2001/C/1	Nut, 2 BA	10	—	C	
18661	E.B7.75.133	Ring, half bolt	2	L.59	C	S.4
1346	E.A1.75.131	Washer, jointing	2	LANGITE	C	S.5
28W/9419475	SP.15/C	Washer	12	—	C	
28W/9416643	SP.47/C	Washer	2	—	C	
	NORMALAIR	VALVE, pressure control (Pre-Mod. 3955)	1	—	A	S.4
27KD/4	493020	Attaching parts for 493020 or 527060:—				
27KD/2836	NORMALAIR 527060	VALVE, combined (Mod. 3955)	1	—	A	
		Attaching parts for 493020 or 527060:—				
28D/1011030	A25/2E	Bolt, 1/2" BSF	7	—	C	
28M/1007403	A27/ET	Nut, 1/2" BSF	1	—	C	
21927	E.A3.75.573	Stud	1	S.92	C	S.4
28W/9419405	SP.15/E	Washer	11	—	C	
28W/9416644	SP.47/E	Washer	11	—	C	
	EEAS.237/3A	WASHER, "D" for clips on pressure bulkhead	5	—	—	
	EEAS.237/4A	WASHER, "D", for pipe clips	6	—	—	

**SERVICES**  
**CABIN PRESSURE AND COLD AIR SYSTEM IN PORT WING**

Ref. No.	Part No.	Description	No. off	Matl Spec.	Cl. of Equip.		Plate No.
					M.R.	L.M.	
	E.B6.75.825	<b>CABIN PRESSURE AND COLD AIR SYSTEM IN PORT WING, ASSEMBLY</b>	—	—	—		
		Spares for:—					
6618	E.B6.75.501 GODFREY	<b>ADAPTER</b> , oil vapour breather pipe ... ..	1	L.85	C	S.7	
27UA/517	50002	<b>CLAMP</b> , half ... ..	16	—	C	S.7	
6119198	E.B6.75.1557	<b>CLAMP</b> , assembly (Replacement spare) ... ..	8	—	C		
		Attaching parts for 50002 or E.B6.75.1557:—					
28D/1212313	A25/15E	Bolt, 1/4" BSF ... ..	2	—	C		
28M/10299	AGS.2001/E/2	Nut, stiff, 1/4" BSF ... ..	2	—	C		
28W/9418921	SP.13/E	Washer ... ..	2	—	C		
	GODFREY						
27UA/518	G.45B	<b>CLAMP</b> , pipe, jointing (segmental) at Marston cooler	4	—	C	S.7	
17744	EEAS.143/17	<b>CLIP</b> , pipe, single, 1/4" o/d. ... ..	1	L.72	C		
37419	E.B6.75.833	<b>COLLECTOR, WASTE OIL, ASSEMBLY (MOD. 2316)</b>	1	—	B	S.7	
		Consisting of:—					
32552	E.B6.75.849	<b>BRACKET</b> , mounting ... ..	1	—	C	S.7	
		Attaching parts for E.B6.75.849:—					
28D/9133011	A25/2C	Bolt, 2 BA ... ..	2	—	C		
28M/4933473	AGS.2002/C/1	Nut, 2 BA ... ..	2	—	C		
28W/9419475	SP.15/C	Washer ... ..	2	—	C		
32549	E.B6.75.843	<b>COLLECTOR</b> , top, assembly ... ..	1	—	C	S.7	
32551	E.B6.75.847	<b>CONTAINER</b> , waste oil ... ..	1	DTD.339	C	S.7	
32550	E.B6.75.845	<b>WIRE</b> , retaining, assembly ... ..	1	—	C	S.7	
		Attaching parts for E.B6.75.833:—					
28F/1010558	AGS.1148/B	Nut, 1/4" BSP ... ..	2	—	C		
28F/9130664	AGS.1149/2	Washer, plate ... ..	1	—	C		
28F/1013402	AGS.1111/B	<b>CONE</b> , union body, flanged bulkhead (Mod. 2316)	1	—	C		
6619	E.B6.75.461	<b>CONNECTION</b> , duct, tapered, from cold air unit junction pipe	1	L.59	C	S.7	
		Attachments for connection E.B6.75.461:—					
16582	E.B6.75.523	Lagging ... ..	2	—	C		
1708	E.A3.75.145	<b>CONNECTION</b> , rubber ... ..	2	GLASS FABRIC	C	S.7	
	E.B6.75.315	<b>DUCTS AND AIR COOLER, ASSEMBLY</b>	—	—	—		
		Spares for:—					
6620	E.B6.75.323	<b>DUCT</b> , air inlet, assembly (Pre-Mod. 4793) ... ..	1	—	C	S.7	
6101007	E.B6.75.1553	<b>DUCT</b> , air inlet, assembly (Mod. 4793) ... ..	1	—	C		
		Attaching parts for E.B6.75.323 or E.B6.75.1553:—					
1025	EEAS.1/1C	Screw, 2 BA ... ..	17	S.96	C		
12896	E.B6.75.735	<b>DUCT</b> , air outlet, assembly ... ..	1	—	B	S.7	
		Attaching parts for E.B6.75.735:—					
1025	EEAS.1/1C	Screw, 2 BA ... ..	2	S.96	C		
	E.B6.75.317	<b>INSTALLATION OF MARSTON COOLER (SECONDARY)</b>	—	—	—		
		Spares for:—					
12390	E.B6.75.343	<b>BRACKET</b> , bottom support, assembly ... ..	2	—	C	S.7	
		Attaching parts for E.B6.75.343:—					
28D/1011021	A25/16C	Bolt, 2 BA ... ..	2	—	C		
28M/1278190	AGS.2001/C/1	Nut, stiff, 2 BA ... ..	2	—	C		
	AS.2809/4/139	Piece, distance ... ..	2	L.62	LM		
28W/9419475	SP.15/C	Washer ... ..	2	—	C		

**SERVICES**  
**CABIN PRESSURE AND COLD AIR SYSTEM IN PORT WING**

Ref. No.	Part No.	Description	No. off	Matl Spec.	Cl. of Equip.	Plate No.
					M.R. L.M.	
		1 2 3 4 5 6				
12391	E.B6.75.345	<b>BRACKET, top, attachment, assembly ...</b>	1	—	C	S.7
		Attaching parts for E.B6.75.345:—				
28D/1011021	A25/16C	Bolt, 2 BA ...	3	—	C	
28M/1278190	AGS.2001/C/1	Nut, stiff, 2 BA ...	3	—	C	
		Piece, distance ...	3	L.62	LM	
28W/9419475	SP.15/C	Washer ...	2	—	C	
27UA/491	MARSTON D.106/6A	<b>COOLER, air (E.B6.75.321) ...</b>	1	—	A	S.7
		Attaching parts for D.106/6A:—				
28D/1011240	A25/5E	Bolt, 1/2" BSF ...	1	—	C	
28W/9419405	SP.15/E	Washer ...	1	—	C	
6622	E.B6.75.351	Washer, felt, on support brackets ...	2	DTD.590	C	S.7
22273	E.B6.75.335	<b>STRAP, JOINT, FOR ATTACHMENT OF AIR DUCTS TO MARSTON COOLER</b>	2	—	C/MR	
		Consisting of:—				
12393	E.B6.75.339	<b>STRAP, clamping ...</b>	1	—	C/MR	S.7
12392	E.B6.75.337	<b>STRAP, joint ...</b>	1	—	C/MR	S.7
		Attaching parts for E.B6.75.339 and E.B6.75.337:—				
28D/1011019	A25/8C	Bolt, 2 BA ...	2	—	C	
28M/1278190	AGS.2001/C/1	Nut, stiff, 2 BA ...	2	—	C	
28F/8011885	AGS.1142/B	<b>NIPPLE, adaptor ...</b>	3	—	C	
28F/9517920	AGS.1142/K	<b>NIPPLE, adaptor ...</b>	2	—	C	
28F/4051694	AGS.1170/K	<b>NIPPLE, ...</b>	3	—	C	
13208	E.A9.75.133	<b>PIPE, assembly, breather, oil vapour outlet (Pre- Mod. 2316)</b>	1	L.56	C	
37477	E.B6.75.835	<b>PIPE, assembly, from coupling to waste oil collector adjacent to rib 1 (Mod. 2316)</b>	1	L.56	C	S.7
37478	E.B6.75.837	<b>PIPE, assembly, from cold air unit to coupling adjacent to rib 1 (Mod. 2316)</b>	1	L.56	C	S.7
13209	E.A9.75.447	<b>PIPE, assembly, continuation, from non-return valve and mixing valve tee piece through rib 2</b>	1	L.56	C	S.7
13210	E.A9.75.455	<b>PIPE, assembly, intermediate, from cold air unit pipe to mixing valve pipe</b>	1	T.26	C	S.7
		Attachments for E.A9.75.455:—				
28E/2027591	SP.91/L	Clip ...	2	—	C	
27279	E.A9.75.457A	Lagging ...	1	—	C	
27280	E.A9.75.459A	Lagging ...	1	—	C	
6758	E.B6.75.457	<b>PIPE, assembly, continuation, from non-return valve and mixing valve tee piece through rib 1</b>	1	L.56	C	S.7
		Attachments for Pipe E.B6.75.457:—				
28E/2027591	SP.91/L	Clip ...	2	—	C	
16594	E.B6.75.625	Lagging ...	1	—	C	
16595	E.B6.75.627	Lagging ...	1	—	C	
27291	E.A9.75.705A	Lagging ...	1	—	C	
27292	E.A9.75.707A	Lagging ...	1	—	C	

**SERVICES**  
**CABIN PRESSURE AND COLD AIR SYSTEM IN PORT WING**

Ref. No.	Part No.	Description	No. off	Matl Spec.	Cl. of Equip.	Plate No.
					M.R. L.M.	
		1 2 3 4 5 6				
6759	E.B6.75.459	PIPE, assembly, junction from cold air unit ...	1	L.54	C	S.7
		Attachments for Pipe E.B6.75.459:—				
28E/2027591	SP.91/L	Clip: ...	2	—	C	
16580	E.B6.75.519	Lagging ...	1	—	C	
16581	E.B6.75.521	Lagging ...	1	—	C	
6762	E.B6.75.467	PIPE, assembly, from cold air unit compressor connection to rib 1	1	L.54	C	S.7
6763	E.B6.75.469	PIPE, assembly, from cold air unit turbine connection to rib 1	1	L.54	C	S.7
6764	E.B6.75.471	PIPE, assembly, from Marston cooler to connection at rib 1	1	L.54	C	S.7
6765	E.B6.75.475	PIPE, assembly, from non-return valve and mixing valve tee piece to connection between ribs 2 and 3	1	L.54	C	S.7
		Attachments for Pipe E.B6.75.475:—				
28E/2027591	SP.91/L	Clip: ...	2	—	C	
27277	E.A9.75.451A	Lagging ...	1	—	C	
27278	E.A9.75.453A	Lagging ...	1	—	C	
12967	E.A9.75.783	PIPE, assembly, from cold air unit compressor connection, to pipe joint at rib 2	1	L.54	C	S.7
		Attachments for Pipe E.A9.75.783:—				
28E/2027591	SP.91/L	Clip: ...	2	—	C	
27285	E.A9.75.471A	Lagging ...	1	—	C	
27286	E.A9.75.473A	Lagging ...	1	—	C	
	E.B6.75.19	PIPE, RUN IN PORT WHEEL WELL BAY, ASSEMBLY	—	—	—	
		Spares for:—				
6753	E.B6.75.207	ADAPTER, bulkhead, mixing valve pipe connection	1	DTD.683	C	S.7
		Attaching parts for E.B6.75.207:—				
28D/9133011	A25/2C	Bolt, 2 BA ...	6	—	C	
28M/1278190	AGS.2001/C/1	Nut, stiff, 2 BA ...	6	—	C	
28F/14892	AGS.1115/13	Washer, plate ...	1	—	C	
28F/9513420	AGS.1142/J	NIPPLE, adaptor ...	2	—	C	
28F/4051887	AGS.2120/J	NIPPLE ...	2	—	C	
6754	E.B6.75.201	PIPE, assembly, from fuselage bulkhead adaptor to pipe joint in wheel well	1	L.56	C	S.7
6755	E.B6.75.203	PIPE, assembly, between ribs A and E ...	1	L.56	C	S.7
6756	E.B6.75.205	PIPE, assembly, from mixing valve bulkhead adaptor to pipe joint on rib E	1	L.56	C	S.7
980	EEAS.20/1DR	TAB, locking ...	2	L.72	C	S.7
1593	EEAS.66/1	RING, clamping ...	1	L.72	C	
	BELLS ASBESTOS					
28F/17675	AS.5402	RING, sealing, type A, between pipe flanges ...	10	—	C	
20453	EEAS.20/1CR	TAB, locking ...	1	—	C	
26DK/5039	EEAS.20/2CR	TAB, locking ...	2	—	C	

**SERVICES**  
**CABIN PRESSURE AND COLD AIR SYSTEM IN PORT WING**

Ref. No.	Part No.	Description	No. off	Matl Spec.	Cl. of Equip.		Plate No.
					M.R.	L.M.	
		1 2 3 4 5 6					
	E.B6.75.187	<b>UNIT, COLD AIR, INSTALLATION</b> ... ..	—	—	—		
	E.B6.75.199	Spares for:— <b>UNIT, COLD AIR, ASSEMBLY</b> ... ..	1	—	—		
	GODFREY 23421/HX	Consisting of:— <b>DIPSTICK</b> and filter, oil level ... ..	1	—	B		S.7
27UA/976	↑	<b>UNIT</b> , cold air, A.C.R.E.9, Mk. 10E (Pre-Mod. 2501)	1	—	A		S.7
27UA/382	↑	<b>UNIT</b> , cold air, A.C.R.E.9, Mk. 10EX (Mod. 2501)	1	—	A		
27UA/4060	↑	Attaching parts for E.B6.75.199:— Bolt, 2 BA ... ..	16	—	C		
28D/9436920	A25/1C	Washer, 2 BA ... ..	32	—	C		
28W/9464922	AGS.586/C	<b>VALVE, CDNSTANT FLOW, INSTALLATION</b> ... ..	—	—	—		
	E.A9.75.469	Spares for:— <b>NIPPLE</b> , adaptor ... ..	1	—	C		
28F/9517920	AGS.1142/K	<b>VALVE, CONSTANT FLOW, ASSEMBLY</b> ... ..	1	—	—		
	E.B6.75.481	Spares for:— <b>ADAPTER</b> , special ... ..	1	DTD.683	C		S.7
6751	E.B6.75.579	Attaching parts for E.B6.75.579:— Washer, jointing ... ..	1	—	C		
28F/1200996	AGS.1138/H	<b>PIPE</b> , assembly, flanged ... ..	1	—	C		S.7
6752	E.B6.75.491	Attaching parts for E.B6.75.491:— Bolt, 2 BA ... ..	12	—	C		
28D/9133011	A25/2C	Washer ... ..	12	—	C		
28W/9419402	SP.13/C	Washer, sealing ... ..	1	—	C		S.7
27KD/8	NORMALAIR 497776	<b>VALVE, constant flow</b> ... ..	1	—	A		S.7
27KD/5	NORMALAIR 502090	Attachments for Valve E.B6.75.481:— Clip ... ..	2	—	C		
28E/9708192	SP.91/P	Clip ... ..	2	—	C		
28E/2027591	SP.91/L	Lagging ... ..	1	—	C		
16575	E.B6.75.509	Lagging ... ..	1	—	C		
16576	E.B6.75.511	Lagging ... ..	1	—	C		
16579	E.B6.75.517	Lagging ... ..	1	—	C		
16596	E.B6.75.629	Lagging ... ..	1	—	C		
	E.B6.75.727	<b>VALVE, RELIEF AND PIPES, COLD AIR UNIT, IN PORT WING, INSTALLATION</b> ... ..	—	—	—		
	25568	Spares for:— <b>BRACKET</b> , assembly, pipe support on cooler ... ..	1	—	C		S.7
28D/7002428	A25/6C	Attaching parts for E.B6.75.733:— Bolt, 2 BA ... ..	4	—	C		
28D/1011029	A25/1E	Bolt, 1" BSF ... ..	2	—	C		
28M/1278190	AGS.2001/C/1	Nut, stiff, 2 BA ... ..	4	—	C		
28W/9418921	SP.13/E	Washer ... ..	2	—	C		
27UA/517	GODFREY 50002	<b>CLAMP</b> , half ... ..	6	—	C		S.7
6119198	or E.B6.75.1557	<b>CLAMP</b> , assembly (Replacement spare) ... ..	3	—	C		
28D/1212313	A25/15E	Attaching parts for 50002 or E.B6.75.1557:— Bolt, 1" BSF ... ..	2	—	C		
28M/9480017	AGS.2001/E1/66	Nut, stiff, 1" BSF ... ..	2	—	C		
28W/9418921	SP.13/E	Washer ... ..	2	—	C		

**SERVICES**  
**CABIN PRESSURE AND COLD AIR SYSTEM IN PORT WING**

Ref. No.	Part No.	Description	No. off	Matl Spec.	Cl. of Equip.	Plate No.
					M.R. L.M.	
		1 2 3 4 5 6				
12898	E.B6.75.731	<b>COVER</b> , valve, assembly ... ..	1	—	C	S.7
28D/1011029	A25/1E	Attaching parts for E.B6.75.731:— Bolt, 1/2" BSF ... ..	2	—	C	
12899	E.B6.75.737	<b>PIPE</b> , assembly, bend, relief valve pipe joint ...	1	L.59	C	S.7
12900	E.B6.75.739	<b>PIPE</b> , assembly, from relief valve pipe joint to inlet tee piece	1	L.54	C	S.7
12901	E.B6.75.741	<b>PIPE</b> , assembly, inlet tee piece from pipe joint at rib 1 to Marston cooler	1	L.54	C	S.7
28F/17675	BELLS ASBESTOS AS.5402	<b>RING</b> , sealing, between pipe flanges ... ..	3	—	C	
12902	E.B6.75.729	<b>VALVE</b> , relief ... ..	1	—	B	S.7
	E.B6.75.827	<b>VALVES AND PIPING, INSTALLATION</b> ... ..	—	—	—	
	E.B6.75.257	Spares for:— <b>BRACKET</b> , support for non-return valve ... ..	1	—	—	S.7
27UA/517	GODFREY 50002	<b>CLAMP</b> , half ... ..	10	—	C	S.7
6119198	or E.B6.75.1557	<b>CLAMP</b> , assembly (Replacement spare) ... ..	5	—	C	
28D/1212313	A25/15E	Attaching parts for 50002 or E.B6.75.1557:— Bolt, 1/2" BSF ... ..	2	—	C	
28M/9480017	AGS.2001/E1/66	Nut, stiff, 1/4" BSF ... ..	2	—	C	
28W/9418921	SP.13/E	Washer ... ..	2	—	C	
27UA/518	GODFREY 50270	<b>CLAMP</b> , segmental ... ..	3	—	C	S.7
6990	E.B6.75.261	<b>CONNECTER</b> , flanged, non-return valve end fitting	1	DTD.683	C	
28D/9436920	A25/1C	Attaching parts for E.B6.75.261:— Bolt, 2 BA ... ..	3	—	C	
28D/9133012	A25/3C	Bolt, 2 BA ... ..	3	—	C	
28M/1278190	AGS.2001/C/1	Nut, stiff, 2 BA ... ..	3	—	C	
28W/9419402	SP.13/C	Washer ... ..	6	—	C	
25922	E.B6.75.255	<b>ELBOW</b> , from engine connection to non-return valve	1	—	C	S.7
28D/9436920	A25/1C	Attachments for Elbow E.B6.75.255:— Bolt, 2 BA ... ..	3	—	C	
28D/9133011	A25/2C	Bolt, 2 BA ... ..	6	—	C	
28D/9133012	A25/3C	Bolt, 2 BA ... ..	3	—	C	
28E/2027591	SP.91/L	Clip ... ..	2	—	C	
12714	E.B6.75.447A	Lagging ... ..	1	—	C	
12369	E.B6.75.449A	Lagging ... ..	1	—	C	
28M/1278190	AGS.2001/C/1	Nut, stiff, 2 BA ... ..	9	—	C	
28W/9419402	SP.13/C	Washer ... ..	12	—	C	
28W/9416643	SP.47/C	Washer ... ..	3	—	C	
16448	E.B7.50.25	<b>FITTING</b> , end, for pipe connection to hot air valve	1	DTD.683	C	
12078	E.B6.75.669	<b>GASKET</b> , non-return valve joint ... ..	2	AERO PERMANITE	C	
12079	E.B6.75.675	<b>GASKET</b> , hot air valve joint ... ..	3	AERO PERMANITE	C	

**SERVICES**  
**CABIN PRESSURE AND COLD AIR SYSTEM IN PORT WING**

Ref. No.	Part No.	Description	No. off	Matl Spec.	Cl. of Equip. M.P. L.M.	Plate No.
13025	E.B6.75.231	PIPE, assembly, from non-return valve on inboard engine rib to tee piece at rib 3	1	T.26	C/MR	S.7
28E/2027591	SP.91/L	Attachments for Pipe E.B6.75.231:—	2	—	C	
26367	E.B6.75.275A	Clip ... ..	1	—	C	
26366	E.B6.75.277A	Lagging ... ..	1	—	C	
16556	E.B6.75.233	PIPE, assembly, from mixing valve to constant flow valve	1	T.26	C/MR	S.7
28E/2027591	SP.91/L	Attachments for Pipe E.B6.75.233:—	2	—	C	
26628	E.B6.75.279A	Clip ... ..	1	—	C	
26629	E.B6.75.281A	Lagging ... ..	1	—	C	
16557	E.B6.75.237	PIPE, assembly, from mixing valve to tee piece at rib 3	1	T.26	C/MR	S.7
28E/2027591	SP.91/L	Attachments for Pipe E.B6.75.237:—	3	—	C	
26632	E.B6.75.287A	Clip ... ..	1	—	C	
26633	E.B6.75.289	Lagging ... ..	1	—	C	
16558	E.B6.75.239	PIPE, assembly, from mixing valve to wheel well bay connection	1	T.26	C/MR	S.7
28E/2027591	SP.91/L	Attachments for Pipe E.B6.75.239:—	4	—	C	
26634	E.B6.75.295A	Clip ... ..	1	—	C	
26635	E.B6.75.297A	Lagging ... ..	1	—	C	
16597	E.B6.75.631	Lagging ... ..	1	—	C	
16598	E.B6.75.633	Lagging ... ..	1	—	C	
13207	E.A9.75.461	PIPE, assembly, from mixing valve to connection at rib 3	1	T.26	C	S.7
28E/2027591	SP.91/L	Attachments for Pipe E.A9.75.461:—	2	—	C	
27281	E.A9.75.463A	Clip ... ..	1	—	C	
27282	E.A9.75.465A	Lagging ... ..	1	—	C	
28F/17675	BELLS ASBESTOS AS.5402	RING, sealing, type "A", between pipe flanges ...	8	—	C	
16560	E.B6.75.259	TEE piece, mixing valve and hot air valve at rib 3	1	—	MR	S.7
	E.B7.50.31	VALVE, HOT AIR, ASSEMBLY ... ..	1	—	—	S.7
		Consisting of:—				
5W/400	E.E. CO. LTD. BRADFORD TYPE 234 TEDDINGTON	ACTUATOR ... ..	1	—	A	S.7
27V/4282	FKH/A/16	VALVE ... ..	1	—	A	S.7
		Attachments for Valve E.B7.50.31:—				
12125	E.B6.75.443A	Lagging ... ..	1	—	C	
12076	E.B6.75.445A	Lagging ... ..	1	—	C	
28M/9480017	AGS.2001/E1/66	Nut, stiff, 1/4" BSF ... ..	8	—	C	
28W/9418921	SP.13/E	Washer ... ..	8	—	C	

SERVICES

CABIN PRESSURE AND COLD AIR SYSTEM IN PORT WING

Ref. No.	Part No.	Description						No. off	Matl. Spec.	Cl. of Equip.		Plate No.
		1	2	3	4	5	6			M.R.	L.M.	
27KD/6	NORMALAIR											
	501670							1	—	A	S.7	
	E.B6.75.243							—	—	—		
	E.B6.75.245							1	L.72	—		
	E.B6.75.246							1	L.72	—		
	E.B6.75.247							1	L.72	—		
16602	E.B6.75.649							1	—	C	S.7	
28N/1045680	AGS.899/2							2	—	C		
	E.B6.75.653							1	—	—	S.7	
	E.B6.75.655							1	—	—	S.7	
28M/1006473	A27/CT							1	—	C		
28M/13253	A27/CTL							1	—	C		
28P/1207864	SP.4Y/B4							2	—	C		
28P/9527619	SP.90/C7							2	—	C		
	E.B6.75.651							1	—	—	S.7	
6A/2133	†							1	—	A	S.7	
28D/9436920	A25/1C							2	—	C		
28M/1278190	AGS.2001/C/1							4	—	C		
1025	EEAS.1/1C							2	S.96	C	S.7	
	E.B7.75.103							1	—	—		
	E. E. CO. LTD.											
	BRADFORD											
5W/409	TYPE 233							1	—	A	S.7	
	TEDDINGTON											
27V/4281	FKH/A/15							1	—	A		
28D/1200119	A25/4C							6	—	C		
28M/1278190	AGS.2001/C/1							6	—	C		
28W/9419475	SP.13/C							6	—	C		
26636	E.B6.75.299A							1	—	C	S.7	
13144	E.B6.75.301A							1	—	C		
16599	E.B6.75.635							1	—	C		
16600	E.B6.75.637							1	—	C		

**SERVICES**  
**CABIN PRESSURE AND COLD AIR SYSTEM IN STARBOARD WING**

Ref. No.	Part No.	Description	No. off	Matl Spec.	Cl. of Equip.	Plate No.
					M.R. L.M.	
	E.B6.75.781	<b>CABIN PRESSURE AND COLD AIR SYSTEM IN STARBOARD WING, ASSEMBLY</b>	—	—	—	
		Spares for:—				
16559	E.B6.75.258 GODFREY	<b>BRACKET</b> , support, non-return valve ... ..	1	L.72	C	S.8
27UA/517	50002	<b>CLAMP</b> , half ... ..	2	—	C	S.8
	or					
6119198	E.B6.75.1557	<b>CLAMP</b> , assembly (Replacement spare) ... ..	1	—	C	
		Attaching parts for 50002 or E.B6.75.1557:—				
28D/1212313	A25/15E	Bolt, 1/4" BSF ... ..	2	—	C	
28M/9480017	AGS.2001/E1/66	Nut, stiff, 1/4" BSF ... ..	2	—	C	
28W/9418921	SP.13/E	Washer ... ..	2	—	C	
	GODFREY					
27UA/518	G.45/B	<b>CLAMP</b> , pipe, jointing (segmental) at Marston cooler	2	—	C	S.8
	1707	<b>CLIP</b> , pipe, at rib 3 ... ..	1	L.72	C	S.8
	25720	<b>CLIP</b> , pipe, at rib 2 ... ..	1	L.72	C	S.8
		Attaching parts for E.A2.75.37 or E.B6.75.791:—				
28D/9436920	A25/1C	Bolt, 2 BA ... ..	2	—	C	
28M/1278190	AGS.2001/C/1	Nut, 2 BA ... ..	2	—	C	
28W/9419402	SP.13/C	Washer ... ..	2	—	C	
	6990	<b>CONNECTOR</b> , flanged, non-return valve end fitting	1	DTD.5044	C	S.8
		Attaching parts for E.B6.75.261:—				
28D/9436920	A25/1C	Bolt, 2 BA ... ..	3	—	C	
28D/1200119	A25/4C	Bolt, 2 BA ... ..	3	—	C	
28M/1278190	AGS.2001/C/1	Nut, 2 BA ... ..	3	—	C	
28W/9419402	SP.13/C	Washer ... ..	3	—	C	
28W/9416643	SP.47/C	Washer ... ..	3	—	C	
	E.B6.75.316	<b>DUCTS AND AIR COOLER, ASSEMBLY</b>	—	—	—	
		Spares for:—				
6767	E.B6.75.324	<b>DUCT</b> , air inlet, assembly (Pre-Mod. 4793) ... ..	1	—	C	S.8
6101008	E.B6.75.1554	<b>DUCT</b> , air inlet, assembly (Mod. 4793) ... ..	1	—	C	
		Attaching parts for E.B6.75.324 or E.B6.75.1554:—				
1025	EEAS.1/1C	Screw, 2 BA ... ..	17	S.96	C	
	6623	<b>DUCT</b> , air outlet, assembly ... ..	1	—	C	S.8
		Attaching parts for E.B6.75.329:—				
1025	EEAS.1/1C	Screw, 2 BA ... ..	2	S.96	C	S.8
	E.B6.75.318	<b>INSTALLATION OF MARSTON COOLER (PRIMARY)</b>	—	—	—	
		Spares for:—				
12395	E.B6.75.344	<b>BRACKET</b> , bottom support, assembly ... ..	2	—	C	S.8
		Attaching parts for E.B6.75.344:—				
28D/1011021	A25/16C	Bolt, 2 BA ... ..	2	—	C	
28M/1278190	AGS.2001/C/1	Nut, stiff, 2 BA ... ..	2	—	C	
	AS.2809/4/139	Piece, distance ... ..	2	L.62	LM	
28W/9419475	SP.15/C	Washer ... ..	2	—	C	
	12396	<b>BRACKET</b> , top, attachment, assembly ... ..	1	—	C	S.8
		Attaching parts for E.B6.75.346:—				
28D/1011021	A25/16C	Bolt, 2 BA ... ..	3	—	C	
28M/1278190	AGS.2001/C/1	Nut, stiff, 2 BA ... ..	3	—	C	
	AS.2809/4/139	Piece, distance ... ..	3	L.62	LM	
28W/9419475	SP.15/C	Washer ... ..	3	—	C	

**SERVICES**  
**CABIN PRESSURE AND COLD AIR SYSTEM IN STARBOARD WING**

Ref. No.	Part No.	Description	No. off	Matl Spec.	Cl. of Equip.	Plate No.
					M.R. L.M.	
		1 2 3 4 5 6				
27UA/492	MARSTON D.106/8A	<b>COOLER</b> , air (E.B6.75.319) ... ..	1	—	A	S.8
		Attaching parts for D.106/8A:—				
28D/1011240	A25/5E	Bolt, 1/2" BSF ... ..	1	—	C	
28W/9419405	SP.15/E	Washer ... ..	1	—	C	
6622	E.B6.75.351	Washer, felt, on support brackets ... ..	2	DTD.590	C	S.8
22273	E.B6.75.335	<b>STRAP, JOINT, FOR ATTACHMENT OF AIR DUCTS TO MARSTON COOLER</b>	2	—	C/MR	
		Consisting of:—				
12393	E.B6.75.339	<b>STRAP</b> , clamping ... ..	1	—	C/MR	S.8
12392	E.B6.75.337	<b>STRAP</b> , joint ... ..	1	—	C/MR	S.8
		Attaching parts for E.B6.75.339 and E.B6.75.337:—				
28D/1011019	A25/8C	Bolt, 2 BA ... ..	2	—	C	
28M/1278190	AGS.2001/C/1	Nut, stiff, 2 BA ... ..	2	—	C	
25922	E.B6.75.255	<b>ELBOW</b> , from engine connection to non-return valve	1	—	C	S.8
		Attachments for Elbow E.B6.75.255:—				
28D/9436920	A25/1C	Bolt, 2 BA ... ..	2	—	C	
28D/9133011	A25/2C	Bolt, 2 BA ... ..	7	—	C	
28D/1200119	A25/4C	Bolt, 2 BA ... ..	3	—	C	
28E/2027591	SP.91/L	Clip ... ..	2	—	C	
12714	E.B6.75.447A	Lagging ... ..	1	—	C	
12369	E.B6.75.449A	Lagging ... ..	1	—	C	
28M/1278190	AGS.2001/C/1	Nut, stiff, 2 BA ... ..	9	—	C	
28W/9419402	SP.13/C	Washer ... ..	12	—	C	
28W/9416643	SP.47/C	Washer ... ..	3	—	C	
15205	E.A2.75.345	<b>FAIRLEAD</b> , pipe support at rib 1 ... ..	2	BS.2572	C	S.8
		Attaching parts for E.A2. 75.345:—				
28D/9133012	A25/3C	Bolt, 2 BA ... ..	2	—	C	
28M/1278190	AGS.2001/C/1	Nut, stiff, 2 BA ... ..	2	—	C	
28W/9419402	SP.13/C	Washer ... ..	2	—	C	
16448	E.B7.50.25	<b>FITTING</b> , end, for pipe connection to hot air valve	1	DTD.683	C	S.8
12078	E.B6.75.669	<b>GASKET</b> , non-return valve joint ... ..	2	AERO	C	S.8
12079	E.B6.75.675	<b>GASKET</b> , hot air valve joint ... ..	2	PERMANITE	C	S.8
28F/9517920	AGS.1142/K	<b>NIPPLE</b> , adaptor ... ..	4	—	C	
6770	E.B6.75.403	<b>PIPE</b> , assembly, from Marston air cooler to engine and fuselage pipe tee piece	1	T.26	C	S.8
		Attachments for Pipe E.B6.75.403:—				
28E/2027591	SP.91/L	Clip ... ..	2	—	C	
28E/19826	SP.91/N	Clip ... ..	1	—	C	
26340	E.B6.75.427A	Lagging ... ..	1	—	C	
26341	E.B6.75.429A	Lagging ... ..	1	—	C	
6771	E.B6.75.405	<b>PIPE</b> , assembly, from wheel well bulkhead fitting to Marston air cooler	1	T.26	C	S.8
25710	E.B6.75.785	<b>PIPE</b> , flexible, from connection between ribs 2 and 3 to pipe coupling between ribs 1 and 2	1	METALIC HOSE	C	S.8
		Attachments for Pipe E.B6.75.785:—				
28E/2027591	SP.91/L	Clip ... ..	3	—	C	
28E/19826	SP.91/N	Clip ... ..	2	—	C	
25715	E.B6.75.803A	Lagging ... ..	1	—	C	
25713	E.B6.75.805A	Lagging ... ..	1	—	C	
25712	E.B6.75.807A	Lagging ... ..	1	—	C	
25714	E.B6.75.809A	Lagging ... ..	1	—	C	

**SERVICES**  
**CABIN PRESSURE AND COLD AIR SYSTEM IN STARBOARD WING**

Ref. No.	Part No.	Description	No. off	Matl Spec.	Cl. of Equip.	Plate No.
					M.F. L.M.	
		1 2 3 4 5 6				
27240	E.B6.75.817	PIPE, assembly, from connection between ribs 1 and 2, to tee piece	1	T.26	C	S.8
27241	E.B6.75.819	PIPE, assembly, from hot air valve to connection between ribs 2 and 3	1	T.26	C	S.8
		Attachments for Pipe E.B6.75.819:—				
28E/2027591	SP.91/L	Clip	3	—	C	
28E/19826	SP.91/N	Clip	1	—	C	
25718	E.B6.75.793A	Lagging	1	—	C	
25717	E.B6.75.795A	Lagging	1	—	C	
25716	E.B6.75.801A	Lagging	2	—	C	
		<b>PIPE, RUN IN STARBOARD WHEEL WELL BAY, ASSEMBLY</b>				
		Spares for:—				
6768	E.B6.75.401	ADAPTER, bulkhead, Marston air cooler (Pre-Mod. 3156)	1	DTD.5044	C	S.8
	E.B6.75.1203	ADAPTER, bulkhead, Marston air cooler (Mod. 3156) (Make from Ref. 6768)	1	—	—	
		Attaching parts for E.B6.75.401 or E.B6.75.1203:—				
28D/9133011	A25/1C	Bolt, 2 BA	6	—	C	
28M/1278190	AGS.2001/C/1	Nut, 2 BA	6	—	C	
16601	E.B6.75.647	Shim (Pre-Mod. 3156)	1	Laminated Aluminium	C	S.8
	E.B6.75.1205	Shim (Mod. 3156) (Make from Ref. 16601)	1	Laminated Aluminium	C	
28F/14892	AGS.1115/13	Washer, plate	1	—	C	
15181	E.B6.75.213	CLIP, pipe, in wheel well	2	L.72	C	S.8
		Attaching parts for E.B6.75.213:—				
28D/9133011	A25/2C	Bolt, 2 BA	2	—	C	
28M/1278190	AGS.2001/C/1	Nut, stiff, 2 BA	2	—	C	
28W/9419475	SP.15/C	Washer	2	—	C	
28F/4051887	AGS.2120/J	NIPPLE	1	—	C	
28F/9517920	AGS.1142/J	NIPPLE, adaptor	2	—	C	
6769	E.B6.75.209	PIPE, assembly, from Marston cooler, bulkhead elbow connection to pipe joint in wheel well bay	1	L.56	C	S.8
16591	E.B6.75.615	PIPE, assembly, from pipe joint in wheel well bay to fuselage bulkhead connection	1	L.56	C	S.8
980	EEAS.20/1DR	TAB, locking	2	L.56	C	S.8
28F/12399	AGS.1167/J	UNION, elbow, assembly	1	—	C	
		BELLS ASBESTOS				
28F/17675	AS.5402	RING, sealing, type "A", between pipe flanges	3	—	C	
28F/4051715	AGS.1119/K	UNION, tee, at Marston cooler	1	—	C	S.8
		Attachments for Union AGS.1119/K:—				
28E/19826	SP.91/N	Clip	2	—	C	
26395	E.B6.75.435A	Lagging	1	—	C	
26396	E.B6.75.437A	Lagging	1	—	C	
	E.B7.50.31	<b>VALVE, HOT AIR, ASSEMBLY</b>	1	—	—	S.8
		Consisting of:—				
SW/400	E.E. CO. LTD. BRADFORD TYPE 234	ACTUATOR	1	—	A	S.8

**SERVICES**  
**CABIN PRESSURE AND COLD AIR SYSTEM IN STARBOARD WING**

Ref. No.	Part No	Description						No. off	Matl Spec.	Cl. of Equip. M.R. L.M.	Plate No.
		1	2	3	4	5	6				
27V/4282	TEDDINGTON FKH/A/16							1	—	A	S.8
12125	E.B6.75.443A							1	—	C	
12076	E.B6.75.445A							1	—	C	
28M/9480017	AGS.2001/E1/66							8	—	C	
28W/9418921	SP.13/E							8	—	C	
27KD/6	NORMALAIR 501670							1	—	A	S.8
28E/2027591	SP.91/L							2	—	C	
12074	E.B6.75.439A							1	—	C	
12075	E.B6.75.441A							1	—	C	

**SERVICES**  
**COLD AIR SUPPLY TO PILOT**

Ref. No.	Part No.	Description	No. off	Matl. Spec.	Cl. of Equip.	Plate No.
					M.R. L.M.	
	E.A3.74.21	<b>COLD AIR SUPPLY TO PILOT, ASSEMBLY ...</b>	—	—	—	
		Spares for:—				
7240	E.A3.74.45	<b>BRACKET</b> , non-return valve mounting ...	1	L.72	C	S.9
2164	EEAS.112/5	<b>CLIP</b> , pipe, 3/8" o/d ...	5	L.16	C	S.9
2163	EEAS.112/15	<b>CLIP</b> , pipe, 1" o/d ...	6	L.16	C	S.9
		Attaching parts for EEAS.112/5 and EEAS.112/15:—				
28D/12953	A28/1B	Bolt, 4 BA ...	1	—	C	
28M/13479	A29/BP	Nut, 4 BA ...	1	—	C	
28W/3097	AGS.162/B	Washer ...	1	—	C	
8995	E.A3.74.47	<b>CLIP</b> , for non-return valve mounting ...	2	L.54	C/MR	S.9
		Attaching parts for E.A3.74.47:—				
28D/16067	A61/15C	Bolt, 2 BA ...	2	—	C	
28W/9419475	SP.15/C	Washer ...	2	—	C	
8990	E.A3.74.53	<b>COUPLING</b> , drain pipe outlet ...	1	DTD.423	C/MR	S.9
	E.A3.74.63	<b>HOSE</b> , connection 1" i/d x 3" long, between air pipe sections (make from Ref. 32C/376)	5	DTD.625	LM	S.9
	E.A3.74.67	<b>HOSE</b> , connection, 3/8" i/d x 1 1/4" long, from water trap to drain pipe (make from Ref. 32C/488)	1	DTD.625	LM	S.9
	<b>THERMOTANK</b>					
5042	K1259/43	<b>LOUVRE</b> , "punkah" air, type D.A.R.2 ...	1	—	B	S.9
12990	E.A2.74.33	<b>PIPE</b> , cold air, from non-return valve to hose connection on frame 1	1	T.9	C	
5633	E.A3.74.111	<b>PIPE</b> , cold air, continuation from hose connection on frame 1 to hose connection between frames 1 and 2	1	T.9	C	S.9
5634	E.A3.74.113	<b>PIPE</b> , cold air, from hose connection between frames 1 and 2 to louvre	1	T.9	C	S.9
5635	E.A3.74.115	<b>PIPE</b> , assembly, drain ...	1	T.9	C	S.9
8991	E.A3.74.51	<b>RING</b> , louvre mounting ...	1	DTD.36	C/MR	S.9
3681	E.A3.74.49	<b>SCOOP</b> , cold air ...	1	L.59	C	S.9
981	EEAS.20/2DR	<b>TAB</b> , locking, for water drain pipe ...	1	L.72	C	S.9
20814	E.A3.74.43	<b>TRAP</b> , water ...	1	—	B	S.9
		Attaching parts for E.A3.74.49 and E.A3.74.43:—				
28M/10279	AGS.2001/A3	Nut, stiff, 6 BA ...	10	—	C	
28S/1200060	A33/A16	Screw, 6 BA ...	10	—	C	
28W/9419473	SP.15/A	Washer ...	10	—	C	
5638	E.A3.74.23	<b>VALVE, NON-RETURN, ASSEMBLY ...</b>	1	—	A	S.9
		Consisting of:—				
	E.A3.74.39	<b>ADAPTOR</b> ...	2	DTD.683	—	S.9
	E.A3.74.41	<b>BODY</b> , non-return valve ...	1	DTD.683	—	S.9
5639	E.A3.74.25	<b>PLUNGER, VALVE SEAL, ASSEMBLY</b> ...	1	—	C	S.9
		Spares for:—				
5640	E.A3.74.29	<b>SEAL</b> ...	1	Halfprene 21	C	S.9
	E.A3.74.27	<b>WASHER</b> , seal retaining ...	1	DTD.683	—	S.9
5060	E.A3.74.35	<b>SHIM</b> , laminated ...	1	Laminated aluminium	C	S.9
5059	E.A3.74.37	<b>SPRING</b> , compression ...	1	DTD.215	C	S.9
5043	E.A3.74.33	<b>WASHER</b> , sealing ...	1	DTD.378A	C	S.9

**SERVICES  
DEMISTER SYSTEM IN CENTRE FUSELAGE**

Ref. No.	Part No.	Description						No. off	Matl Spec.	Cl. of Equip. M.R. L.M.	Plate No.
		1	2	3	4	5	6				
	E.G4.75.427	CAMERA, WINDOW DEMISTING PIPE RUN IN FUSELAGE, ASSEMBLY (MOD. 4799)						—	—	—	
		Spares for:—									
28F/9486111	AGS.1142/H	NIPPLE, adaptor ... ..						1	—	C	
15190	E.B6.75.583	PIPE, assembly, from cabin pressure system tee at frame 16 (Blanked off) (SRIM.3533) (Mod. 4799)						1	L.56	C	S.6
		Attachments for Pipe E.B6.75.583:—									
28E/19824	SP.91/J	Clip ... ..						4	—	C	
15151	E.B6.75.41A	Lagging: ... ..						1	—	C	
15152	E.B6.75.43A	Lagging: ... ..						1	—	C	
Pages SH.3 and SH.4 Not Issued											

**SERVICES  
DEMISTER SYSTEM IN FRONT FUSELAGE**

Ref. No.	Part No.	Description						No. off	Matl Spec.	Cl. of Equip. M.R. L.M.	Plate No.
		1	2	3	4	5	6				
	E.G.476.101	<b>DEMISTER SYSTEM, ASSEMBLY (MOD. 4799) ...</b>						—	—	—	
SUD/3310	†	Spares for:—									
		<b>BLOWER ...</b>						1	—	A	S.10
	E.G.476.103	<b>BLOWER, MOUNTING, ASSEMBLY (MOD. 4799 ...</b>						1	—	—	S.11
		Spares for:—									S.10
	SCC.79242/2	<b>BRACKET, mounting, 18 SWG (SRIM.3533) (Mod. 4799)</b>						1	L.72	—	S.11
		Attaching parts for SCC.79242/2									
28D/7002428	A25/6C	Bolt, 2 BA ...						4	—	C	
28M/1278190	AGS.2001/C/1	Nut, 2 BA ...						4	—	C	
	5070	Washer, rubber ...						12	—	C	S.11
28W/9419475	SP.15/C	Washer ...						4	—	C	
	9044	E.A.3.76.81								C	S.11
		CLIP, blower mounting ...						1	—	C	S.11
		Attaching parts for E.A.3.76.81:—									
28D/7002428	A25/6C	Bolt, 2 BA ...						4	—	C	
28M/1278190	AGS.2001/C/1	Nut, 2 BA ...						4	—	C	
28W/9419475	SP.15/C	Washer ...						4	—	C	
	8974	E.A.3.76.95								C	S.11
		CONNECTION, blower inlet ...						1	—	C	S.11
		Attaching parts for E.A.3.76.95:—									
28D/1212403	A25/33C	Bolt, 2 BA ...						2	—	C	
28M/1278190	AGS.2001/C/1	Nut, 2 BA ...						2	—	C	
	5049	Washer, joint ...						1	—	C	S.11
28W/9419475	SP.15/C	Washer ...						2	—	C	
	8975	E.A.3.76.131								C	S.11
		CONNECTION, blower outlet ...						1	—	C	S.11
		Attaching parts for E.A.3.76.131:—									
28S/1009108	A32/A4	Screw, 6 BA ...						4	—	C	
28W/9419473	SP.15/A	Washer ...						4	—	C	
		SCC.79242/3								L.M.	S.11
		PLATE, reinforcing, 14 SWG (SRIM.3533) (Mod. 4799)						1	L.72	LM	S.11
		E.B.6.76.175								—	
		CANOPY, INNER DEMISTING, ASSEMBLY						—	—	—	
		Spares for:—									
	5183	EEAS.143/25								C	S.10
	4612	E.A.3.76.241								C	S.10
		CLIP, pipe, 1/2" o/d. ...						1	L.72	C	S.10
		FLANGE, assembly ...						1	—	C	S.10
		Attaching parts for E.A.3.76.241:—									
28D/9133012	A25/3C	Bolt, 2 BA ...						6	—	C	
28M/1278190	AGS.2001/C/1	Nut, 2 BA ...						6	—	C	
	5901	E.B.7.75.613							ASBESTOS	C	
28W/9419475	SP.15/C	Washer ...						6	—	C	
	33624	E.B.6.76.173								C	S.10
	4614	E.A.3.76.223								B	S.10
	17525	EEAS.143/10								C	S.10
		PIPE, demisting, assembly ...						1	—	C	S.10
		VALVE, butterfly type ...						1	—	B	S.10
		CLIP, pipe, single ...						1	—	C	S.10
		Attaching parts for EEAS.143/10:—									
28D/1010658	A25/1B	Bolt, 4 BA ...						1	—	C	
28M/1278189	AGS.2001/B/1	Nut, 4 BA ...						1	—	C	
28W/9419486	SP.16/B	Washer ...						1	—	C	
		EEAS.143/22								—	
		CLIP, pipe, single ...						1	—	—	
		Attaching parts for EEAS.143/22:—									
28D/9436920	A25/1C	Bolt, 2 BA ...						1	—	C	
28M/1278190	AGS.2001/C/1	Nut, 2 BA ...						1	—	C	
28W/9419475	SP.15/C	Washer ...						1	—	C	

**SERVICES  
DEMISTER SYSTEM IN FRONT FUSELAGE**

Ref. No.	Part No	Description						No. off	Mati Spec.	Cl. of Equip. M.R. L.M.	Plate No.
		1	2	3	4	5	6				
34627	E.G4.76.39	<b>ELBOW</b> , (Post-Mod. 3833) ... ..						1	—	C	S.10
1815	E.A3.76.47	<b>FILTER AIR ASSEMBLY</b> ... ..						1	—	B	S.10
		Consisting of:—									
1816	E.A3.76.69	<b>BOLT</b> ... ..						3	S.95	C	S.11
1817	E.A3.76.51	<b>CAP</b> , end ... ..						1	—	C	S.11
	E.A3.76.49	<b>CASE</b> , outer ... ..						1	—	—	S.11
1892	†	<b>ELEMENT</b> , filter (Purolator MFA.36A) ... ..						1	—	C	S.11
28M/1013165	AGS.113/B	<b>NUT</b> , wing, 4 BA ... ..						3	—	C	S.11
8978	E.A3.76.67	<b>PLUG</b> , sealing ... ..						1	DTD.683	C	S.11
1818	E.A3.76.75	<b>SPRING</b> ... ..						1	S.201	C	S.11
1819	E.A3.76.71	<b>WASHER</b> , sealing element, rubber ... ..						2	Shore 30	C	S.11
1820	E.A3.76.73	<b>WASHER</b> , sealing cap, rubber ... ..						1	Shore 30	C	S.11
28W/1031013	AGS.163/B	<b>WASHER</b> ... ..						3	—	C	S.11
	E.A3.76.41	<b>FILTER AIR MOUNTING ASSEMBLY</b> ... ..						1	—	—	S.10 S.11
		Spares for:—									
9042	E.A3.76.85	<b>BRACKET MOUNTING, L.H., C/W STRAP</b> ... ..						1	—	C	S.11
		Spares for:—									
1004	E.A1.10.1663	<b>NUT</b> , knurled, finger ... ..						1	L.40	C	S.11
9043	E.A3.76.86	<b>BRACKET MOUNTING, R.H., C/W STRAP</b> ... ..						1	—	C	S.11
		Spares for:—									
1004	E.A1.10.1663	<b>NUT</b> , knurled, finger ... ..						1	L.40	C	S.11
		Attaching parts for E.A3.76.85 and E.A3.76.86:—									
28D/9436920	A25/1C	<b>Bolt</b> , 2 BA ... ..						2	—	C	S.11
28M/1278190	AGS.2001/C/1	<b>Nut</b> , 2 BA ... ..						2	—	C	S.11
	E.A3.76.21	<b>HOSE</b> , connecting, $\frac{3}{8}$ " o/d. x $\frac{1}{4}$ " i/d. x 4 $\frac{1}{2}$ " long (Pre-Mod. 3833) (Make from Ref. 32C/4382964)						1	Natural Rubber	LM	S.10
	E.A3.76.23	<b>HOSE</b> , connecting, $\frac{3}{8}$ " o/d. x $\frac{1}{4}$ " i/d. x 60" long (Make from Ref. 32C/4382964)						1	Natural Rubber	LM	S.10
	E.A3.76.25	<b>HOSE</b> , connecting, $\frac{3}{8}$ " o/d. x $\frac{1}{8}$ " i/d. x 19" long (Make from Ref. 32C/534)						1	Natural Rubber	LM	S.10
	E.A3.76.27	<b>HOSE</b> , connecting, $\frac{3}{8}$ " o/d. x $\frac{1}{8}$ " i/d. x 4" long (Make from Ref. 32C/534)						1	Natural Rubber	LM	S.10
	E.A3.76.31	<b>HOSE</b> , connecting, $\frac{3}{8}$ " o/d. x $\frac{1}{8}$ " i/d. x 2" long (Make from Ref. 32C/534)						1	Natural Rubber	LM	S.10
	E.A3.76.33	<b>HOSE</b> , connecting, $\frac{3}{8}$ " o/d. x $\frac{1}{8}$ " i/d. x 1 $\frac{1}{2}$ " long (Make from Ref. 32C/534)						5	Natural Rubber	LM	S.10
	E.A3.76.175	<b>HOSE</b> , connecting, $\frac{3}{8}$ " o/d. x $\frac{1}{8}$ " i/d. ... .. (Make from Ref. 32C/534)						1	Natural Rubber	LM	S.10
	E.A3.76.209	<b>HOSE</b> , connecting, $\frac{3}{8}$ " o/d. x $\frac{1}{8}$ " i/d. x 3" long (Make from Ref. 32C/534)						1	Natural Rubber	LM	S.10
	E.B6.76.39	<b>HOSE</b> , connecting, $\frac{3}{8}$ " o/d. x $\frac{1}{8}$ " i/d. x 48" long (Make from Ref. 32C/534)						1	Natural Rubber	LM	S.10
1372	E.A3.76.5	<b>TEE</b> , connecting piece, for navigator's window hose						1	—	C	S.10
1373	E.A3.76.19	<b>TEE</b> , connecting piece, at nose air drier tube (Pre-Mod. 3833)						1	—	C	S.10
8980	E.A3.76.165	<b>TUBE</b> , alloy, continuation between frames 1 and 4, port side, $\frac{1}{2}$ " o/d. x 22 SWG						1	L.56	C	S.10
8981	E.A3.76.167	<b>TUBE</b> , alloy, from air filter to hose connection aft of frame 1, $\frac{1}{2}$ " o/d. x 22 SWG						1	L.56	C	S.10
7142	E.A3.76.169	<b>TUBE</b> , alloy, from air filter to canopy hose connec- tion, $\frac{1}{2}$ " o/d. x 22 SWG						1	L.56	C	S.10

**SERVICES**  
**DEMISTER SYSTEM IN FRONT FUSELAGE**

Ref. No.	Part No.	Description	No. off	Matl Spec.	Cl. of Equip.	Plate No.
					M.R. L.M.	
		1 2 3 4 5 6				
	SCC.79576/3	<b>TUBE</b> , alloy, continuation, between frames 3 and 4, 1/2" o/d. x 20 SWG (SRIM.3533) (Mod. 4799)	1	L.56	—	S.10
	SCC.79576/2	<b>TUBE</b> , alloy, from port side connection at frame 4 to blower, 1/2" o/d. x 20 SWG (SRIM.3533) (Mod. 4799)	1	L.56	—	S.10
	SCC.79576/1	<b>TUBE</b> , alloy, from blower to air drier, port side, 1/2" o/d. x 20 SWG (SRIM.3533) (Mod. 4799)	1	L.56	—	S.10
2146	E.A3.76.201	<b>TUBE, AIR DRIER, CANOPY, PORT, ASSEMBLY</b> Consisting of:—	1	—	B	S.10,S.11
2840	E.A3.76.187	<b>BOLT</b> , special ... ..	3	S.95	C	S.11
2109	E.A3.76.207	<b>CAP</b> , container ... ..	1	L.54	C	S.11
	E.A3.76.199	<b>CONTAINER</b> , body ... ..	1	—	—	S.11
1821	E.A3.76.79	<b>FILTER, ASSEMBLY</b> ... ..	1	—	C	S.11
		Spares for:—				
	E.A3.76.77	<b>FILTER</b> , pad, complete ... ..	1	—	—	S.11
	E.A1.76.21	<b>PLATE</b> , retaining ... ..	1	L.72	—	S.11
28M/1013165	AGS.113/B	<b>NUT</b> , wing, 4 BA ... ..	3	—	C	
1378	E.A1.76.25	<b>WASHER</b> , rubber sealing, container end cap and filter plate	2	Shore 40-45	C	S.11
28W/1031013	AGS.163/B	<b>WASHER</b> , spring ... ..	3	—	C	
		Attaching parts for E.A3.76.201:—				
1000	E.A1.10.1657	<b>CLIP</b> , top half ... ..	2	S.514	C	S.11
1001	E.A1.10.1659	<b>CLIP</b> , bottom half ... ..	2	S.514	C	S.11
1004	E.A1.10.1663	<b>NUT</b> , knurled, finger ... ..	4	L.65	C	S.11
2841	E.A3.76.101	<b>TUBE, AIR DRIER, CANOPY, STARBOARD, ASSEMBLY</b> Spares for:—	1	—	B	S.10,S.11
	E.A3.76.159	<b>ADAPTOR</b> ... ..	1	—	—	S.11
	E.A3.76.103	<b>CONTAINER</b> , body ... ..	1	—	—	S.11
	VOKES					
27B/2900	A.12681	<b>FILTER</b> ... ..	2	—	B	S.11
2842	E.A3.76.105	<b>HOSE</b> , connecting, 3 1/2" o/d. x 3" i/d. x 2" long ...	1	Rubber	C	S.11
21254	E.A3.76.107	<b>VALVE, ASSEMBLY</b> ... ..	1	—	B	S.11
		Spares for:—				
2843	E.A3.76.147	<b>SEAL</b> ... ..	1	Rubber	C	S.11
2844	E.A3.76.149	<b>SPRING</b> ... ..	2	Spring Steel	C	S.11
	E.B6.76.43	<b>TUBE, AIR DRIER, CANOPY, STARBOARD, MOUNTING, ASSEMBLY</b> Spares for:—	—	—	—	S.10,S.11
	E.B6.76.47	<b>BRACKET</b> , mounting, aft ... ..	1	L.59	—	S.11
	E.B6.76.45	<b>BRACKET</b> , mounting, forward ... ..	1	L.59	—	S.11
1374	E.A1.76.3	<b>TUBE, AIR DRIER, NOSE, ASSEMBLY</b> Consisting of:—	1	—	B	S.10,S.11
1375	E.A1.76.7	<b>CAP</b> , container ... ..	1	—	C	S.11
1376	E.A1.76.9	<b>CAP</b> , container, hose coupling end ... ..	1	—	C	S.11
	E.A1.76.5	<b>CONTAINER</b> , body ... ..	1	—	—	S.11
1377	E.A1.76.17	<b>FILTER, ASSEMBLY</b> ... ..	2	—	C	S.11
		Spares for:—				
	E.A1.76.23	<b>FILTER</b> , pad, 1/8" thick ... ..	1	Felt	—	S.11
	E.A1.76.21	<b>PLATE</b> , filter, felt retaining ... ..	1	L.72	—	S.11
1378	E.A1.76.25	<b>WASHER</b> , rubber, sealing, cap container ... ..	2	Shore 40-45	C	S.11
		Attaching parts for E.A1.76.3:—				
29D/9436920	A25/1C	<b>Bolt</b> , 2 BA ... ..	4	—	C	
1369	E.A3.76.13	<b>Clip</b> ... ..	2	L.72	C	S.10,S.11
28M/1278190	AGS.2001/C/1	<b>Nut</b> , 2 BA ... ..	4	—	C	
1379	E.A3.76.17	<b>Washer</b> , pad ... ..	4	L.72	C	S.11
26DK/11172	EEAS.239/1A	<b>WASHER</b> , "D", for pipe clips ... ..	11	—	C	



**SERVICES  
EQUIPMENT IN INNER WING, LEADING EDGE, PORT**

Ref. No.	Part No.	Description	No. off	Matl. Spec.	Cl. of Equip.		Plate No.
					M.R.	L.M.	
	E.B6.00.363	<b>EQUIPMENT IN INNER WING, LEADING EDGE, PORT</b>	—	—	—	—	
	E.B6.20.959	Spares for:— <b>AIR INTAKE, FOR ZONE 2 COOLING IN INNER WING LEADING EDGE, PORT</b> (See page PC.2)	—	—	—	—	
	E.B6.61.1	<b>BOX, GEAR, ASSEMBLY</b> ... ..	—	—	—	—	S.2
399	E.A1.50.595	Spares for:— <b>ADAPTOR, for hydraulic pump drain pipe</b> ...	1	DTD.126	C	—	S.2
37L/189	PTG.3/25	<b>BOX, gear and adaptor</b> ... .. Attaching parts for PTG3/25:—	1	—	A	—	S.2
28W/9416646	E.B6.61.1A SP.47/J	<b>Nut, special (make from 28M/13295)</b> ... .. <b>Washer</b> ... ..	4 4	—	LM C	—	
3413	EEAS.91/4	<b>CLIP, pipe, double, for drain pipes</b> ... .. Attaching parts for EEAS.91/4:—	2	L.72	C	—	
28D/1010658	A25/1B	<b>Bolt, 4 BA</b> ... ..	1	—	C	—	
28M/10287	AGS.2001/B1	<b>Nut, stiff, 4 BA</b> ... ..	1	—	C	—	
28W/9419474	SP.15/B	<b>Washer</b> ... ..	1	—	C	—	
13177	E.A9.61.63	<b>CONNECTION, induction pipe outlet elbow, to generator</b>	1	—	C	—	S.2
13198	E.A9.61.27	<b>DUCT, air, leading edge entry</b> ... .. Attaching parts for E.A9.61.27:—	1	—	—	—	S.2
1025	EEAS.1/1C	<b>Screw, special, 2 BA</b> ... ..	15	S.96	C	—	
12376	E.A9.61.32	<b>DUCT, air generator exhaust</b> ... .. Attaching parts for E.A9.61.32:—	1	—	C	—	S.2
1025	EEAS.1/1C	<b>Screw, special, 2 BA</b> ... ..	8	S.96	C	—	
5UA/6446	E.E. CO. LTD. BRADFORD	<b>GENERATOR, type 519</b> ... ..	1	—	A	—	S.2
28F/1013599	AGS.1142/A	<b>NIPPLE, adaptor</b> ... ..	1	—	C	—	
28F/9486111	AGS.1142/H	<b>NIPPLE, adaptor</b> ... ..	1	—	C	—	
28F/11905	AGS.1170/H	<b>NIPPLE</b> ... ..	2	—	C	—	
13178	E.A9.61.35	<b>PIPE, assembly, engine induction air outlet, continuation through rib 3</b>	1	T.26	C	—	S.2
13196	E.A9.61.37	<b>PIPE, assembly, engine induction air outlet from connection at engine rib</b>	1	T.26	C	—	S.2
409	E.A1.61.41	<b>PIPE, assembly, hydraulic pump drain</b> ... ..	1	L.56	C	—	S.2
13200	E.A9.61.65	<b>PIPE, assembly, gear box drain</b> ... ..	1	—	C	—	S.2
37L/357	ROTOL LTD. GD.9/49	<b>SHAFT, drive</b> ... ..	1	—	B	—	S.2
12373	E.A9.61.41	<b>SLEEVE, connecting, air inlet</b> ... ..	1	Silastic Asbestos	C	—	S.2
12374	E.A9.61.43	<b>SLEEVE, connecting, air exhaust</b> ... ..	1	Silastic Asbestos	C	—	S.2
28F/9996122	AGS.1112/H E.B6.75.825	<b>UNION, body flanged bulkhead</b> ... .. <b>CABIN PRESSURE AND COLD AIR SYSTEM IN PORT WING (See page SE.1)</b>	1	—	C	—	
	E.B6.47.293	<b>CONTROLS, ENGINE, IN PORT WING (See page CC.1)</b>	—	—	—	—	
	E.B6.57.71	<b>FUEL DELIVERY SYSTEM IN PORT INNER WING (See page SO.7)</b>	—	—	—	—	
	E.B6.73.395	<b>HYDRAULICS IN PORT WING INNER LEADING EDGE (See page SV. 1)</b>	—	—	—	—	

**SERVICES**  
**EQUIPMENT IN INNER WING LEADING EDGE STARBOARD**

Ref. No.	Part No.	Description						No. off	Matl Spec.	Cl. of Equip. M.R. L.M.	Plate No.
		1	2	3	4	5	6				
	E.G4.00.513	<b>EQUIPMENT IN INNER WING LEADING EDGE STARBOARD (MOD. 4799)</b>						—	—	—	
	E.B6.20.960	<b>AIR INTAKE FOR ZONE 2 COOLING IN INNER WING LEADING EDGE, STARBOARD (See page PC.6)</b>						—	—	—	
	E.B6.61.2	<b>BOX, GEAR, ASSEMBLY</b> ... ..						—	—	—	
399	E.A1.50.595	<b>ADAPTOR, for hydraulic pump drain pipe</b> ...						1	DTD.126	C	S.3
37L/190	ROTOL LTD. P.T.G.3/26	<b>BOX, gear and adaptor</b> ... ..						1	—	A	S.3
	E.B6.61.1A	<b>Attaching parts for P.T.G.3/26:—</b>									
28W/9416646	SP.47/J	<b>Nut, special (Make from 28M/1011473)</b> ...						4	—	LM	
		<b>Washer</b> ... ..						4	—	C	
3413	EEAS.91/4	<b>CLIP, pipe, double, for drain pipes</b> ... ..						2	L.72	C	
28D/1010658	A25/1B	<b>Attaching parts for EEAS.91/4:—</b>									
28M/1278189	AGS.2001/B/1	<b>Bolt, 4 BA</b> ... ..						1	—	C	
28W/9419474	SP.15/B	<b>Nut, 4 BA</b> ... ..						1	—	C	
		<b>Washer</b> ... ..						1	—	C	
13197	E.A9.61.64	<b>CONNECTION, induction pipe outlet elbow to generator</b>						1	—	C	S.3
13199	E.A9.61.28	<b>DUCT, air, leading edge entry</b> ... ..						1	—	B	S.3
		<b>Attachments for E.A9.61.28:—</b>									
1025	EEAS.1/1C	<b>Screw, 2 BA</b> ... ..						11	S.96	C	
1026	EEAS.1/1½C	<b>Screw, 2 BA</b> ... ..						3	S.96	C	
1468	EEAS.1/2C	<b>Screw, 2 BA</b> ... ..						1	S.96	C	
12376	E.A9.61.32	<b>DUCT, air, generator exhaust</b> ... ..						1	—	C	S.3
		<b>Attaching parts for E.A9.61.32:—</b>									
1025	EEAS.1/1C	<b>Screw, 2 BA</b> ... ..						8	S.96	C	
SUA/	E. E. CO. LTD. BRADFORD	<b>GENERATOR, type S19</b> ... ..						1	—	A	S.3
28F/1013599	AGS.1142/A	<b>NIPPLE, adaptor</b> ... ..						1	—	C	
28F/9486111	AGS.1142/H	<b>NIPPLE, adaptor</b> ... ..						1	—	C	
28F/1036552	AGS.2120/H	<b>NIPPLE</b> ... ..						2	—	C	
13187	E.A9.61.36	<b>PIPE, assembly, engine induction air outlet continuation through rib 3</b>						1	T.26	C	S.3
13188	E.A9.61.38	<b>PIPE, assembly, engine induction air outlet from connection at engine rib</b>						1	T.26	C	S.3
410	E.A1.61.42	<b>PIPE, assembly, hydraulic pump drain</b> ...						1	L.56	C	S.3
13200	E.A9.61.65	<b>PIPE, assembly, gear box drain</b> ... ..						1	—	C	S.3
37L/356	ROTOL LTD. GD.9/50	<b>SHAFT, drive</b> ... ..						1	—	B	S.3
12373	E.A9.61.41	<b>SLEEVE, connecting air inlet</b> ... ..						1	SILASTIC ASBESTOS	C	S.3
12374	E.A9.61.43	<b>SLEEVE, connecting air exhaust</b> ... ..						1	SILASTIC ASBESTOS	C	S.3
28F/9996122	AGS.1112/H	<b>UNION, body, flanged bulkhead</b> ... ..						1	—	C	
	E.B6.75.781	<b>CABIN PRESSURE AND COLD AIR SYSTEM IN STARBOARD WING (See page SF.1)</b>						—	—	—	

**SERVICES  
EQUIPMENT IN INNER WING LEADING EDGE STARBOARD**

Ref. No.	Part No.	Description						No. off	Matl Spec.	Cl. of Equip. M.R. L.M.	Plate No.
		1	2	3	4	5	6				
	E.G4.83.317	<b>CAMERA, G.90, INSTALLATION (MOD. 4799)</b> ...						—	—	—	
43412	E.G4.83.63	Spares for:— <b>APERTURE, CAMERA, ASSEMBLY</b> ...						1	—	B	
	E.G4.83.65	Spares for:— <b>PLATE, MOUNTING, ASSEMBLY</b> ...						1	—	—	
	E.G4.83.65A	Spares for:— <b>MOUNTING</b> ...						1	—	—	
	E.G4.83.65B	<b>PLATE</b> ...						1	S.521	—	
	E.G4.83.73	<b>RING</b> , retaining window ...						1	S.61	—	
	E.G4.83.71	<b>SEAL</b> , window joint ...						1	—	—	
1438620	E.G4.83.67	<b>SEAL</b> , window, rear ...						—	—	—	
	E.G4.83.69	<b>WINDOW</b> , camera ...						1	PLATE GLASS	C	
28D/1214568	AS.2920/3C	Attaching parts for E.G4.83.63:— Bolt, 2 BA ...						6	—	C	
14A/4936	†	<b>MOUNTING</b> , G.90 camera ...						1	—	A	
28D/1011029	A25/1E	Attaching parts for Ref. 14A/4936:— Bolt, 1/2" BSF ...						4	—	C	
28W/9419405	SP.15/E	Washer ...						4	—	C	
43415	E.G4.83.85	<b>PLATE</b> , blanking, for use when camera not fitted Attaching parts for E.G4.83.85:—						1	L.72	B	
28D/1214568	AS.2920/3C	Bolt, 2 BA ...						6	—	C	
43416	E.G4.83.75	<b>PLATE</b> , mounting ...						1	DTD.3030	C	
28D/1011238	A25/3E	Attaching parts for E.G4.83.75: — Bolt, 1/2" BSF ...						2	—	C	
28D/1008145	A25/6E	Bolt, 1/2" BSF ...						2	—	C	
43418	E.G4.83.79	Shim, laminated (As required) ...						2	—	C	
28W/9419405	SP.15/E	Washer ...						2	—	C	
43417	E.G4.83.83	<b>SEAL</b> , camera aperture, 1/8" thick ...						1	—	C	
43419	E.G4.83.81	<b>SHIM</b> , laminated, between camera and camera mounting (As required)						1	LA.3	C	
43418	E.G4.83.79	<b>SHIM</b> , plate ...						2	—	C	
	E.B6.47.295	<b>CONTROLS, ENGINE, IN STARBOARD WING</b> (See page CD.1)						—	—	—	
	E.B6.57.151	<b>FUEL DELIVERY SYSTEM IN STARBOARD INNER WING</b> (See page SP.7)						—	—	—	
	E.B6.73.397	<b>HYDRAULICS IN STARBOARD WING LEADING EDGE</b> (See page SW.1)						—	—	—	

**SERVICES**  
**FIRE PROTECTION SYSTEM IN FUSELAGE**

Ref. No.	Part No.	Description						No. off	Matl Spec.	Cl. of Equip. M.R. L.M.	Plate No.
		1	2	3	4	5	6				
	E.G4.60.1	<b>FIRE PROTECTION SYSTEM IN FUSELAGE, ASSEMBLY</b>						—	—	—	
		Spares for:—									
5034	E.A1.60.15	<b>BUSH</b> (Pre-Mod. 2614) ... ..						86	—	C	
12K/1306	†	<b>CARTRIDGE</b> , electric No. 1. Mk. 2 ... ..						1	—	C	
28F/9446123	AGS.1116/C	<b>CONE</b> , elbow ... ..						1	—	C	
28F/9489323	AGS.1120/10	<b>CONE</b> , tee ... ..						1	—	C	
28F/9471001	AGS.1102/C	<b>CONE</b> , union ... ..						2	—	C	
28F/9439765	AGS.1102/D	<b>CONE</b> , union ... ..						3	—	C	
28F/1036557	AGS.1111/C	<b>CONE</b> , union, flanged ... ..						2	—	C	
		Attaching parts for AGS.1111/C:—									
28D/9436920	A25/1C	Bolt 2 BA ... ..						3	—	C	
28M/1278190	AGS.2001/C/1	Nut 2 BA ... ..						3	—	C	
	GRAVINER CO. LTD.										
27N/100 or 27N/152	†	<b>EXTINGUISHER</b> , fire ... ..						1	—	A	
		Attaching parts for Ref. 27N/100 or 27N/152:—									
28D/9015170	A25/16B	Bolt, 4 BA ... ..						4	—	C	
28M/1278189	AGS.2001/B/1	Nut, 4 BA ... ..						4	—	C	
28S/1011481	A31/C48	Screw, 2 BA ... ..						2	—	C	
11400	E.A2.60.25	Strap, front ... ..						4	—	C	
11401	E.A2.60.27	Strap, rear ... ..						4	—	C	
11394	E.A2.60.11	Trunnion ... ..						2	DTD.126A	C	
11395	E.A2.60.13	Trunnion ... ..						2	DTD.126A	C	
296	E.A1.60.49	<b>FAIRLEAD</b> , assembly, wing support at fuselage ...						2	BS.2572	C	
		Attaching parts for E.A1.60.49:—									
28D/9419452	A25/3B	Bolt, 4 BA ... ..						4	—	C	
28M/1278189	AGS.2001/B/1	Nut, 4 BA ... ..						4	—	C	
28W/9419474	SP.15/B	Washer ... ..						4	—	C	
	GRAVINER CO. LTD.										
27N/63	1087/E/H10 GRAVINER CO. LTD.	<b>HEAD</b> , flame detector switch (Pre-Mod. 2614) ...						1	—	B	
27N/62	1087/E/H15 GRAVINER CO. LTD.	<b>HEAD</b> , flame detector switch (Pre-Mod. 2614) ...						2	—	B	
27N/71	1087/E/H20	<b>HEAD</b> , flame detector switch (Pre-Mod. 2614) ...						1	—	B	
28F/8011897	AGS.1142/F	<b>NIPPLE</b> , adaptor ... ..						2	—	C	
297	E.A1.60.137	<b>PIPE</b> , assembly, on bulkhead frame 12 in centre of fuselage						1	L.56	C	
298	E.A1.60.139	<b>PIPE</b> , assembly, from coupling at frame 12 to coupling at frame 13						1	L.56	C	
12234	E.A1.60.165	<b>PIPE</b> , assembly, from elbow to tee piece at frame 27						1	L.56	C	
21572	E.A1.60.167	<b>PIPE</b> , assembly, from tee piece to blanking union at frame 27						1	L.56	C	
	E.B6.60.3	<b>PIPE</b> , assembly, from coupling at frame 13 to coupling at frame 17 (Ref. 299 modified)						1	L.56	LM	
	E.B6.60.5	<b>PIPE</b> , assembly, from starboard wing connection to coupling between frames 17 and 18 (Ref. 304 modified)						1	L.56	LM	
	E.B6.60.7	<b>PIPE</b> , assembly, from elbow at frame 27 to coupling at frame 18 (Ref. 300 modified)						1	L.56	LM	

**SERVICES  
FIRE PROTECTION SYSTEM IN FUSELAGE**

Ref. No.	Part No.	Description	No. off	Matl Spec.	Cl. of Equip.	Plate No.
					M.R. L.M.	
		1 2 3 4 5 6				
	E.B6.60.9	PIPE, assembly, from port wing coupling to four-way piece at frame 18 (Ref. 303 modified)	1	L.56	LM	
33497	E.B6.60.11	PIPE, assembly, from four-way piece to coupling at frame 17	1	L.56	C	
33499	E.B6.60.13	PIPE, assembly, from four-way piece to coupling between frames 17 and 18	1	L.56	C	
33501	E.B6.60.15	PIPE, assembly, from four-way piece to coupling at frame 18	1	L.56	C	
20787	E.B7.60.15	PIPE, assembly, from tee piece to reducing union at frame 27	1	L.56	C	
20788	E.B7.60.17	PIPE, assembly, from fire extinguisher to reducing union at frame 27	1	L.56	C	
28F/4051700	AGS.1125/10	UNION, piece, four-way ... ..	1	—	C	
28F/4051736	AGS.1108/C	UNION, reducing ... ..	1	—	C	
	GRAVINER CO. LTD.					
27N/61	D.132	UNIT, fire detector, continuous (Pre-Mod. 2614) ...	4	—	C	
27N/1930846	D.2660	UNIT, fire detector, continuous (supersedes 27N/61) (Pre-Mod. 2614)	4	—	C	
		Attaching parts for 27N/61 or 27N/1930846:—				
28D/9140202	AS.1246/1C	Bolt, 2 BA ... ..	4	—	C	
28M/1278190	AGS.2001/C/1	Nut, 2 BA ... ..	4	—	C	
28W/9419475	SP.15/C	Washer ... ..	4	—	C	
7782	EEAS.21/1ER	WASHER ... ..	4	—	C	

**SERVICES**  
**FIRE PROTECTION SYSTEM IN PORT WING**

Ref. No.	Part No.	Description	No. off	Matl. Spec.	Cl. of Equip.	Plate No.
					M.R. L.M.	
		1 2 3 4 5 6				
	E.A1.60.3	<b>FIRE PROTECTION SYSTEM IN WING, PORT, ASSEMBLY</b>	—	—	—	
		Spares for:—				
3624	E.A1.60.41	<b>BRACKET</b> , support, fire extinguisher (dual head) ...	1	—	C	
		Attaching parts for E.A1.60.41:—				
28D/1010658	A25/1B	Bolt, 4 BA ...	4	—	C	
28M/10287	AGS.2001/B/1	Nut, 4 BA ...	4	—	C	
3411	EEAS.28/2EU	Washer ...	4	—	C	
12K/1316	†	<b>CARTRIDGE</b> , electric, No. 1, Mk. 3, 2pin ...	1	—	C	
12K/1317	†	<b>CARTRIDGE</b> , electric, No. 1, Mk. 3, 3 pin ...	1	—	C	
512	E.A1.60.39	<b>ELBOW</b> , connection, at fire extinguisher bottle (dual head)	1	—	C	
	GRAVINER CO. LTD.					
27N/102	†	<b>EXTINGUISHER</b> , fire, dual head ...	1	—	A	
or						
27N/155	†					
		Attaching parts for 27N/102 or 27N/155:—				
3410	E.A1.60.121	Bolt, strap ...	1	5.92	C	
28D/1010658	A25/1B	Bolt, 4 BA ...	6	—	C	
28M/10287	AGS.0201/B/1	Nut, 4 BA ...	6	—	C	
1703	E.A1.60.33	Strap, assembly ...	1	—	C	
1704	E.A1.60.21	Trunnion, screwed, 2 BA ...	1	DTD.126A	C	
1705	E.A1.60.23	Trunnion, pin ...	1	DTD.126A	C	
3411	EEAS.28/2EU	Washer ...	6	—	C	
	E.B7.60.19	<b>FIRE PROTECTION SYSTEM, ZONE 2, ENGINE BAY, ASSEMBLY</b>	—	—	—	
		Spares for:—				
21507	E.A1.60.117	<b>BLOCK</b> , location, fire bottle head ...	1	—	C	
		Attaching parts for E.A1.60.117:—				
28D/1214866	AS.1246/4B	Bolt, 4 BA ...	4	—	C	
28M/10287	AGS.2001/B/1	Nut, 4 BA ...	4	—	C	
28W/9419474	SP.15/B	Washer ...	4	—	C	
13002	E.B7.60.35	<b>BRACKET, FIRE EXTINGUISHER BOTTLE MOUNTING, ASSEMBLY</b>	2	—	C	
		Spares for:—				
13003	E.B7.60.45	<b>STRAP</b> , mounting ...	2	L.72	C	
		Attaching parts for E.B7.60.45:—				
28D/1212276	A25/15B	Bolt, 4 BA ...	2	—	C	
28M/10287	AGS.2001/B/1	Nut, 4 BA ...	2	—	C	
285/1011481	A31/C48	Screw, 2 BA ...	1	—	C	
1704	E.A1.60.21	Trunnion, screwed, 2 BA ...	1	DTD.126A	C	
1705	E.A1.60.23	Trunnion, plain ...	1	DTD.126A	C	
		Attaching parts for E.B7.60.35:—				
28D/1010658	A25/1B	Bolt, 4 BA ...	14	—	C	
28M/10287	AGS.2001/B/1	Nut, 4 BA ...	14	—	C	
28W/9419474	SP.15/B	Washer ...	14	—	C	
	E.B7.60.37	<b>BRACKET</b> block location, support ...	1	—	—	
	E.B7.60.38	<b>BRACKET</b> block location, support ...	1	—	—	
		Attaching parts for E.B7.60.37 and E.B7.60.38:—				
28D/1010658	A25/1B	Bolt, 4 BA ...	3	—	C	
28M/10287	AGS.2001/B/1	Nut, 4 BA ...	3	—	C	
28W/9419474	SP.15/B	Washer ...	3	—	C	

**SERVICES**  
**FIRE PROTECTION SYSTEM IN PORT WING**

Ref. No.	Part No.	Description	No. off	Matl. Spec.	Cl. of Equip.		Plate No.
					M.R.	L.M.	
12K/1316	†	CARTRIDGE, No. 1, Mk. 3 ... ..	1	—		C	
17529	EEAS.143/23	CLIP, pipe, 1/2" o/d. ... ..	2	L.72		C	
		Attaching parts for EEAS.143/23:—					
28D/9436920	A25/1C	Bolt, 2 BA ... ..	1	—		C	
28M/10288	AGS.2001/C/1	Nut, 2 BA ... ..	1	—		C	
18852	EEAS.21/2DR	Washer ... ..	2	L.72		C	
13004	E.B7.60.29	CLIP, pipe, special ... ..	1	—		C	
13005	E.B7.60.31	CLIP, pipe, special ... ..	3	—		C	
		Attaching parts for E.B7.60.29 and E.B7.60.31:—					
28D/9435710	A25/11C	Bolt, 2 BA ... ..	2	—		C	
28M/10288	AGS.2001/C/1	Nut, 2 BA ... ..	2	—		C	
28W/9419402	SP.13/C	Washer ... ..	2	—		C	
27N/100	GRAVINER						
	TYPE 12A	EXTINGUISHER, fire ... ..	1	—		A	
or							
27N/152	†						
28F/9439897	AGS.1142/E	NIPPLE, adaptor ... ..	3	—		C	
28F/8011897	AGS.1142/E	NIPPLE, adaptor ... ..	4	—		C	
13006	E.B7.60.21	PIPE, assembly, from fire extinguisher bottle to bulkhead connection	1	DTD.323		C	
13007	E.B7.60.23	PIPE, assembly, top spray, from bulkhead connection to reducing union	1	L.55		C	
13008	E.B7.60.25	PIPE, assembly, side spray, from reducing union to pipe coupling	1	L.55		C	
13009	E.B7.60.27	PIPE, assembly, bottom spray, from pipe coupling	1	L.55		C	
	E.A1.60.55	UNION, bulkhead, inboard engine rib (Make from Ref. 28F/9157486)	1	—		LM	
		Attaching parts for E.A1.60.55:—					
28D/9133011	A25/2C	Bolt, 2 BA ... ..	3	—		C	
28M/10288	AGS.2001/C/1	Nut, 1 BA ... ..	3	—		C	
28W/9419402	SP.13/C	Washer ... ..	3	—		C	
13010	E.B7.60.39	UNION, special, reducing ... ..	1	S.110		C	
13011	E.B7.60.41	UNION, pipe, coupling ... ..	1	S.110		C	
28F/8011897	AGS.1142/F	NIPPLE, adapter ... ..	2	—		C	
513	E.A1.60.3A	PIPE, assembly, from wing fuselage joint to fire extinguisher bottle	1	L.56		C	
27422	E.B7.60.11	PIPE, assembly, from fire extinguisher bottle to inboard engine rib connection	1	L.56		C	
	E.A1.60.55	UNION, bulkhead, inboard engine rib (Make from Ref. 28F/9157486)	1	—		LM	
		Attaching parts for E.A1.60.55:—					
28D/9133011	A25/2C	Bolt, 2 BA ... ..	3	—		C	
28M/10288	AGS.2001/C/1	Nut, 2 BA ... ..	3	—		C	
28W/9419475	SP.15/C	Washer ... ..	3	—		C	

**SERVICES**  
**FIRE PROTECTION SYSTEM IN STARBOARD WING**

Ref. No.	Part No.	Description	No. off	Matl. Spec.	Cl. of Equip.		Plate No.
					M.R.	L.M.	
		1 2 3 4 5 6					
	E.A1.60.4	<b>FIRE PROTECTION SYSTEM IN WING, STARBOARD ASSEMBLY</b>	—	—	—		
		Spares for:—					
3624	E.A1.60.41	<b>BRACKET</b> , support, fire extinguisher (dual head)	1	—	C		
		Attaching parts for E.A1.60.41:—					
28D/1010658	A25/1B	Bolt, 4 BA	4	—	C		
28M/10287	AGS.2001/B/1	Nut, 4 BA	4	—	C		
3411	EEAS.28/2EU	Washer	4	—	C		
12K/1316	†	<b>CARTRIDGE</b> , No. 1, Mk. 3, 2 pin	1	—	C		
12K/1317	†	<b>CARTRIDGE</b> , No. 1, Mk. 3, 3 pin	1	—	C		
512	E.A1.60.39	<b>ELBOW</b> , connection, at fire extinguisher bottle (dual head)	1	—	C		
	GRAVINER CO. LTD.						
27N/102 or 27N/155	†	<b>EXTINGUISHER</b> , fire, dual head	1	—	A		
		Attaching parts for 27N/102 or 27N/155:—					
3410	E.A1.60.121	Bolt, strap	1	S.92	C		
28D/1010658	A25/1B	Bolt, 4 BA	6	—	C		
28M/10287	AGS.2001/B/1	Nut, 4 BA	6	—	C		
1703	E.A1.60.33	Strap, assembly	1	—	C		
1704	E.A1.60.21	Trunnion, screwed, 2 BA	1	DTD.126A	C		
1705	E.A1.60.23	Trunnion, plain	1	DTD.126A	C		
3411	EEAS.28/2EU	Washer	6	—	C		
	E.B7.60.20	<b>FIRE PROTECTION SYSTEM, ZONE 2, ENGINE BAY, ASSEMBLY</b>	—	—	—		
		Spares for:—					
21507	E.A1.60.117	<b>BLOCK</b> , location, fire bottle head	1	—	C		
		Attaching parts for E.A1.60.117:—					
28D/1214866	AS.1246/4B	Bolt, 4 BA	4	—	C		
28M/10287	AGS.2001/B/1	Nut, 4 BA	4	—	C		
28W/9419474	SP.15/B	Washer	4	—	C		
13002	E.B7.60.35	<b>BRACKET, FIRE EXTINGUISHER BOTTLE MOUNTING, ASSEMBLY</b>	2	—	B		
		Spares for:—					
13003	E.B7.60.45	<b>STRAP</b> , mounting	2	L.72,	C		
		Attaching parts for E.B7.60.45:—					
28D/1212276	A25/15B	Bolt, 4 BA	2	—	C		
28M/10287	AGS.2001/B/1	Nut, 4 BA	2	—	C		
28S/1011481	A31/C48	Screw, 2 BA	1	—	C		
1704	E.A1.60.21	Trunnion, screwed, 2 BA	1	DTD.126A	C		
1705	E.A1.60.23	Trunnion, plain	1	DTD.126A	C		
		Attaching parts for E.B7.60.35:—					
28D/1010658	A25/1B	Bolt, 4 BA	14	—	C		
28M/10287	AGS.2001/B/1	Nut, 4 BA	14	—	C		
28W/9419474	SP.15/B	Washer	14	—	C		
	E.B7.60.37	<b>BRACKET</b> , block location, support	1	—	—		
	E.B7.60.38	<b>BRACKET</b> , block location, support	1	—	—		
		Attaching parts for E.B7.60.37 and E.B7.60.38:—					
28D/1010658	A25/1B	Bolt, 4 BA	3	—	C		
28M/10287	AGS.2001/B/1	Nut, 4 BA	3	—	C		
28W/9419474	SP.15/B	Washer	3	—	C		

**SERVICES**  
**FIRE PROTECTION SYSTEM IN STARBOARD WING**

Ref. No.	Part No.	Description	No. off	Matl. Spec.	Cl. of Equip.	Plate No.
					M.R. L.M.	
12K/1316 17529	† EEAS.143/23	CARTRIDGE, No. 1, Mk. 3 ... .. CLIP, pipe, 1/8" o/d ... .. Attaching parts for EEAS.143/23:—	1 2	— L.72	C C	
28D/9436920 28M/10288 18852	A25/1C AGS.2001/C/1 EEAS.21/2DR	Bolt, 2 BA ... .. Nut, 2 BA ... .. Washer ... ..	1 1 2	— — L.72	C C C	
13004 13005	E.B7.60.29 E.B7.60.31	CLIP, pipe, special ... .. CLIP, pipe, special ... .. Attaching parts for E.B7.60.29 and E.B7.60.31:—	1 3	— —	B B	
28D/9435710 28M/10288 28W/9419402	A25/11C AGS.2001/C/1 SP.13/C	Bolt, 2 BA ... .. Nut, 2 BA ... .. Washer ... ..	2 2 2	— — —	C C C	
27N/100 or 27N/152 28F/9439897 28F/8011897 13012	GRAVINER TYPE 12A AGS.1142/E AGS.1142/F E.B7.60.22	EXTINGUISHER, fire ... ..  NIPPLE, adapter ... .. NIPPLE, adapter ... .. PIPE, assembly, from fire extinguisher bottle to bulkhead connection	1  3 4 1	—  — — DTD.323	A  C C C	
13013	E.B7.60.24	PIPE, assembly, top spray, from bulkhead connection to reducing union	1	L.55	C	
13014	E.B7.60.26	PIPE, assembly, side spray, from reducing union to pipe coupling	1	L.55	C	
13015	E.B7.60.28 E.A1.60.55	PIPE, assembly, bottom spray, from pipe coupling UNION, bulkhead, inboard engine rib (make from Ref. 28F/9157486)	1 1	L.55 —	C LM	
28D/9133011 28M/10288 28W/9419402	A25/2C AGS.2001/C/1 SP.13/C	Attaching parts for E.A1.60.55:— Bolt, 2 BA ... .. Nut, 2 BA ... .. Washer ... ..	3 3 3	— — —	C C C	
13010 13011	E.B7.60.39 E.B7.60.41	UNION, special, reducing ... .. UNION, pipe coupling ... ..	1 1	S.110 S.110	B B	
28F/8011897 21403	AGS.1142/F E.A1.60.163	NIPPLE, adapter ... .. PIPE, assembly, from fire extinguisher bottle to wing fuselage connection Spares for:—	2 1	— L.56	C C	
27423	E.B7.60.12 E.A1.60.55	PIPE, assembly, from fire extinguisher bottle to inboard engine rib connection UNION, bulkhead, inboard engine rib (make from Ref. 28F/9157486)	1 1	L.56 —	C LM	
28D/9133011 28M/10288 28W/9419475	A25/2C AGS.2001/C/1 SP.15/C	Attaching parts for E.A1.60.55:— Bolt, 2 BA ... .. Nut, 2 BA ... .. Washer ... ..	3 3 3	— — —	C C C	

**SERVICES**  
**FUEL SYSTEM IN CENTRE FUSELAGE**

Ref. No.	Part No.	Description	No. off	Matl Spec.	Cl. of Equip.	Plate No.
					M.R. L.M.	
	E.A3.57.67	<b>FUEL SYSTEM IN CENTRE FUSELAGE, ASSEMBLY</b>	—	—	—	
	E.A3.57.225	Spares for:—				
	E.A3.57.435	<b>CABLE</b> , bonding ... ..	3	—	—	
		<b>CAP, FILLER, NO. 1 AND NO. 2 FUEL TANK, ASSEMBLY</b>	2	—	—	S.12
		Spares for:—				
1140	E.A1.57.133	<b>ADAPTER</b> , filler cap drain ... ..	1	L.40 or L.64	C	S.12
1141	AS.2590	<b>CAP, FILLER, GROUP</b> ... ..	1	—	B	S.12
		Consisting of:—				
	AS.2591	<b>BASE</b> ... ..	1	—	—	
12876	AS.2592	<b>CAP</b> ... ..	1	—	C	S.12
28J/9432438	AS.5364	<b>RING</b> , sealing ... ..	1	—	C	
		Attaching parts for AS.2590:—				
28D/9133011	A25/2C	<b>Bolt</b> , 2 BA ... ..	10	—	C	
28M/1278190	AGS.2001/C/1	<b>Nut</b> , 2 BA ... ..	10	—	C	
	1142	<b>Ring</b> , sealing ... ..	1	Neo-K-Tex	C	S.12
	3141	<b>Screw</b> , 2 BA ... ..	15	S.11	C	
28W/9419404	SP.16/C	<b>Washer</b> ... ..	10	—	C	
	EEAS.77/13	<b>HOSE</b> , rubber, 1/4" i/d. x 1/2" o/d. x 3 1/2" long (Make from Ref. 32C/1275030)	1	BSF.67 Type 1	LM	
2172	E.A1.57.125	<b>RING</b> , filler cap, attachment ... ..	1	L.59	C	S.12
		Attaching parts for E.A1.57.125:—				
28M/1278190	AGS.2001/C/1	<b>Nut</b> , 2 BA ... ..	16	—	C	
	3142	<b>Ring</b> , sealing ... ..	1	Neo-K-Tex	C	
28W/9419404	SP.16/C	<b>Washer</b> ... ..	16	—	C	
	CSP71-08	<b>RING</b> , split ... ..	1	—	—	
5X/9450380	HC.312	<b>TAG</b> , ring tongue ... ..	1	—	C	
28W/9130226	AGS.164/F	<b>WASHER</b> , jointing, adaptor drain ... ..	1	—	C	
	E.A3.57.437	<b>CAP, FILLER, NO. 3 FUEL TANK, ASSEMBLY</b>	1	—	—	S.12
		Spares for:—				
1140	E.A1.57.133	<b>ADAPTER</b> , filler cap drain ... ..	1	L.40 or L.64	C	S.12
1141	AS.2590	<b>CAP, FILLER, GROUP</b> ... ..	1	—	B	S.12
		Consisting of:—				
	AS.2591	<b>BASE</b> ... ..	1	—	—	
12876	AS.2592	<b>CAP</b> ... ..	1	—	C	S.12
28J/9432438	AS.5364	<b>RING</b> , sealing ... ..	1	—	C	
		Attaching parts for AS.2590:—				
28D/9133011	A25/2C	<b>Bolt</b> , 2 BA ... ..	10	—	C	
28M/1278190	AGS.2001/C/1	<b>Nut</b> , 2 BA ... ..	10	—	C	
	1142	<b>Ring</b> , sealing ... ..	1	Neo-K-Tex	C	S.12
	3141	<b>Screw</b> , 2 BA ... ..	15	S.11	C	
28W/9419404	SP.16/C	<b>Washer</b> ... ..	10	—	C	
	EEAS.77/13	<b>HOSE</b> , rubber, 1/4" i/d. x 1/2" o/d. x 3 1/2" long (Make from Ref. 32C/1275030)	1	BSF.67 Type 1	LM	S.12
3180	E.A1.57.127	<b>RING</b> , filler cap, attachment ... ..	1	L.59	C	S.12
		Attaching parts for E.A1.57.127:—				
28M/1278190	AGS.2001/C/1	<b>Nut</b> , 2 BA ... ..	16	—	C	
	3142	<b>Ring</b> , sealing ... ..	1	Neo-K-Tex	C	S.12
28W/9419404	SP.16/C	<b>Washer</b> ... ..	16	—	C	
	CSP71-08	<b>RING</b> , split ... ..	1	—	—	
5X/9450380	HC.312	<b>TAG</b> , ring tongue ... ..	1	—	C	
28W/9130226	AGS.164/F	<b>WASHER</b> , jointing, adaptor drain ... ..	1	—	C	
	5K/4329352	<b>CLIP</b> , bonding ... ..	3	—	C	
	5K/9536774	<b>CLIP</b> , bonding ... ..	3	—	C	
	5K/4329356	<b>CLIP</b> , bonding ... ..	2	—	C	

**SERVICES**  
**FUEL SYSTEM IN CENTRE FUSELAGE**

Ref. No.	Part No.	Description						No. off	Matl Spec.	Cl. of Equip. M.R. L.M.	Plate No.
		1	2	3	4	5	6				
28E/20104	SP.91/F	CLIP, hose	...	...	...	...	...	4	—	C	
28E/19824	SP.91/J	CLIP, hose	...	...	...	...	...	6	—	C	
28E/2027591	SP.91/L	CLIP, hose	...	...	...	...	...	2	—	C	
	E.A3.57.401	<b>CLIP, VENT PIPE, ASSEMBLY</b>						1	—	—	
		Spares for:—									
	E.A3.57.407	CLIP, half	...	...	...	...	...	1	—	—	
	E.A3.57.409	CLIP, half	...	...	...	...	...	1	—	—	
		Attaching parts for E.A3.57.407 and E.A3.57.409:—									
28D/9133012	A25/3C	Bolt, 2 BA	...	...	...	...	...	2	—	C	
	E.A3.57.115	CLIP, venting pipe	...	...	...	...	...	2	—	—	S.12
		Attaching parts for E.A3.57.115:—									
28D/1200119	A25/4C	Bolt, 2 BA	...	...	...	...	...	1	—	C	
28M/1278190	AGS.2001/C/1	Nut, 2 BA	...	...	...	...	...	1	—	C	
	E.A3.57.421	Washer, packing	...	...	...	...	...	2	L.72	—	
4761	E.A3.57.249	CLIP, purging pipe	...	...	...	...	...	1	L.72	C	S.12
		Attaching parts for E.A3.57.249:—									
28D/9133011	A25/2C	Bolt, 2 BA	...	...	...	...	...	1	—	C	
4758	E.A3.57.253	DUCT, venting, No. 1 tank	...	...	...	...	...	1	—	C	S.12
4759	E.A3.57.255	DUCT, venting, No. 2 tank	...	...	...	...	...	1	—	C	S.12
	or										
	E.A3.57.427	DUCT, venting, No. 2 tank	...	...	...	...	...	1	—	—	S.12
1232	E.A1.57.63	ELBOW, nitrogen purging, No. 1 fuel tank	...	...	...	...	...	1	L.52	C	S.12
4760	E.A3.57.103	ELBOW, venting, No. 1 fuel tank	...	...	...	...	...	1	L.52	C	S.12
		Attaching parts for E.A1.57.63 and E.A3.57.103:—									
28M/1278190	AGS.2001/C/1	Nut, 2 BA	...	...	...	...	...	8	—	C	
1240	E.A1.57.59	Washer, joint	...	...	...	...	...	1	Neo-K-Tex	C	S.12
	E.A3.57.521	<b>FELTING PROTECTION, NO. 3 FUEL TANK, ASSEMBLY</b>						—	—	—	
		Spares for:—									
	E.A1.57.373	PAD, 1/2" thick x 4"5 dia.	...	...	...	...	...	24	—	—	
	E.A1.57.829	PAD, 1/2" thick x 4" dia. (Make from Ref. 32B/1250453)	...	...	...	...	...	1	—	—	
	E.B6.57.3	<b>FUEL DELIVERY SYSTEM, ASSEMBLY</b>						1	—	—	
		Spares for:—									
	SELF PRIMING ENG. CO. LTD.										
1645	SPE.1235	<b>BOX, FUEL, 3-WAY JUNCTION, ASSEMBLY</b>						2	—	A	
		Spares for:—									
31048	SPE.1238	ADAPTER, testing (Pre-Mod. 3295)	...	...	...	...	...	1	—	C	
38148	E.B6.57.143	ADAPTER, testing (Mod. 3295)	...	...	...	...	...	1	—	C	
31047	SPE.1229	GASKET, jointing	...	...	...	...	...	1	—	C	
13174	SPE.1230	WASHER, drain valve	...	...	...	...	...	1	—	C	
		Attaching parts for SPE.1235:—									
28M/10281	AGS.2001/C/3	Nut, 2 BA	...	...	...	...	...	8	—	C	
28W/9419475	SP.15/C	Washer	...	...	...	...	...	8	—	C	
8183	E.A1.57.1317	CLIP, half, top, fuel pipes (Make from Ref. 30B/9611218)	...	...	...	...	...	12	L.72	C	
		Attaching parts for E.A1.57.1317:—									
28D/1008149	A25/2B	Bolt, 4 BA	...	...	...	...	...	2	—	C	
28M/1278189	AGS.2001/B/1	Nut, 4 BA	...	...	...	...	...	2	—	C	
28W/9419474	SP.15/B	Washer	...	...	...	...	...	2	—	C	
3168	E.A1.57.201	CLIP, hose, lower fuel pipe at floor girder 16, port side	...	...	...	...	...	1	L.59	C	

**SERVICES**  
**FUEL SYSTEM IN CENTRE FUSELAGE**

Ref. No.	Part No.	Description	No. off	Matl. Spec.	Cl. of Equip.	Plate No.
					M.R. L.M.	
		1 2 3 4 5 6				
8192	E.A1.57.202	CLIP, hose, lower fuel pipe at floor girder 16, starboard side	1	L.59	C	
1168	E.A1.57.203	CLIP, hose, fuel pipe at floor girder 19 ...	6	L.59	C	
1169	E.A1.57.205	CLIP, hose, fuel pipe at frame 21, port side ...	1	L.59	C	
1170	E.A1.57.206	CLIP, hose, fuel pipe at frame 21, starboard side	1	L.59	C	
1171	E.A1.57.207	CLIP, hose, fuel pipe at frame 22, port side ...	1	L.59	C	
1172	E.A1.57.208	CLIP, hose, fuel pipe at frame 22, starboard side	1	L.59	C	
		Attaching parts for E.A1.57.201, E.A1.57.202, E.A1.57.203, E.A1.57.205, E.A1.57.206, E.A1.57.207 and E.A1.57.208:—				
28D/1010658	A25/1B	Bolt, 4 BA ...	2	—	C	
28M/10287	AGS.2001/B/1	Nut, 4 BA ...	2	—	C	
28W/9419474	SP.15/B	Washer ...	2	—	—	
	EEAS.77/81	HOSE, rubber, 1½" i/d. x 1½" o/d. x 3" long (Make from Ref. 32C/377)	8	DTD.625	LM	S.12
28F/9216	AGS.1142/J	NIPPLE, adaptor ...	10	—	C	
1173	E.A1.57.105	PIPE, assembly, from hose joint aft of frame 16, to fuel junction box, port	1	L.54	C	S.12
1174	E.A1.57.107	PIPE, assembly, from hose joint aft of frame 19, to fuel junction box, port and starboard	2	L.56	C	S.12
1175	E.A1.57.109	PIPE, from hose joint aft of frame 19, to hose joint forward of frame 22, port	1	L.56	C	S.12
1176	E.A1.57.110	PIPE, from hose joint aft of frame 19, to hose joint forward of frame 22, starboard	1	DTD.1073	C	S.12
1179	E.A1.57.715	PIPE, assembly, from fuel tank No. 3 pump, to hose joint forward of frame 22, port	1	L.56	C	S.12
1180	E.A1.57.717	PIPE, assembly, from fuel tank No. 3 pump, to hose joint forward of frame 22, starboard	1	L.56	C	S.12
2962	E.A1.57.1267	PIPE, assembly, from fuel tank No. 2 pump, to junction box, starboard	1	L.56	C	S.12
2963	E.A1.57.1269	PIPE, assembly, from fuel tank No. 2 pump, to junction box, port	1	L.56	C	S.12
5102	E.A3.57.117	PIPE, assembly, from fuel tank No. 1 pump, to hose joint aft of frame 16, port	1	L.56	C	S.12
20755	E.B6.57.63	PIPE, assembly, from fuel tank No. 1 pump, to hose joint aft of frame 16, starboard	1	L.54	C	S.12
15082	E.B6.57.65	PIPE, assembly, from hose joint aft of frame 16, to fuel junction box, starboard	1	L.54	C	S.12
28R/9456431	AGS.565/B	PLUG, ½" BSP, fuel junction box ...	2	—	C	
28F/8011884	AGS.1140/C	PLUG, nipple fuel junction box ...	2	—	C	
	E.A3.57.207	PUMP, FUEL NO. 1, PORT, ASSEMBLY ...	—	—	—	
		Spares for:—				
	E. E. CO. LTD. TYPE 201 Mk. 8	ACTUATOR AND FUEL COCK, ASSEMBLY ...	1	—	—	
		Consisting of:—				
5W/328	AED.200152	ACTUATOR, Type 200, Mk. 1 ...	1	—	A	
5W/337	†	ADAPTOR, C/W label ...	1	—	B	
	SAUNDERS					
27F/2206	E42.F10	COCK, fuel ...	1	—	A	
28M/10288	AGS.2001/C/1	NUT, 2 BA ...	2	—	C	
30A/3055	†	WIRE, locking, 22 SWG ...	QR	—	C	
		Attaching parts for Type 201, Mk. 8:—				
28D/9436920	A25/1C	Bolt, 2 BA ...	2	—	C	
28W/1007983	AGS.162/C	Washer ...	2	—	C	
28W/9419475	SP.15/C	Washer ...	2	—	C	

**SERVICES**  
**FUEL SYSTEM IN CENTRE FUSELAGE**

Ref. No.	Part No.	Description	No. off	Matl. Spec.	Cl. of Equip.		Plate No.
					M.R.	L.M.	
		1 2 3 4 5 6					
12635	E.B6.57.125	<b>ADAPTOR</b> , fuel pump cock ... ..	1	L.40		C	
8173	E.A1.57.617	<b>ADAPTOR</b> , fuel pump mounting ... ..	1	—		C	
28M/9403520	A27/CP	Attaching parts for E.A1.57.617:—					
28W/1007983	AGS.162/C	Nut, 2 BA ... ..	16	—		C	
		Washer ... ..	16	—		C	
1187	E.A1.57.1315	<b>BRACKET</b> , actuator support ... ..	1	L.72		C	
		Attaching parts for E.A1.57.1315:—					
1184	E.A1.57.561	Bolt ... ..	2	—		C	
28W/1007983	AGS.162/C	Washer ... ..	2	—		C	
28W/9419475	SP.15/C	Washer ... ..	2	—		C	
8168	E.A1.57.621	<b>BRACKET</b> , channel fuel pump mounting ... ..	1	L.72		C	
		Attaching parts for E.A1.57.621:—					
28D/9436920	A25/1C	Bolt, 2 BA ... ..	14	—		C	
28D/9133011	A25/2C	Bolt, 2 BA ... ..	1	—		C	
28M/10288	AGS.2001/C/1	Nut, 2 BA ... ..	5	—		C	
28W/9419475	SP.15/C	Washer ... ..	15	—		C	
8174	E.A1.57.601	<b>BRACKET</b> , plate fuel pump mounting ... ..	1	DTD.687		C	
		Attaching parts for E.A1.57.601:—					
1185	E.A1.57.605	Bolt, 3/4" BSF ... ..	4	DTD.126		C	
28M/9403520	A27/CP	Nut, 2 BA ... ..	16	—		C	
28M/10290	AGS.2001/E/1	Nut, 3/4" BSF ... ..	4	—		C	
28W/1007983	AGS.162/C	Washer ... ..	16	—		C	
28W/9419405	SP.15/E	Washer ... ..	4	—		C	
5542	EEAS.143/6	<b>CLIP</b> , pipe, single ... ..	1	L.72		C	
		Attaching parts for EEAS.143/6:—					
28D/1008149	A25/2B	Bolt, 4 BA ... ..	1	—		C	
28M/10287	AGS.2001/B/1	Nut, 4 BA ... ..	1	—		C	
28W/9419465	SP.13/B	Washer ... ..	1	—		C	
28F/9439531	AGS.952/B	<b>COLLAR</b> ... ..	1	—		C	
	EEAS.77/11	<b>HOSE</b> , rubber, 1/2" i/d. x 1/2" o/d. x 1 1/2" long (Make from Ref. 32C/407)	1	DTD.625		LM	
28F/8011885	AGS.1142/B	<b>NIPPLE</b> , adaptor ... ..	1	—		C	
8169	E.A1.57.627	<b>PIPE</b> , drain, 1/2" o/d. x 22 SWG ... ..	1	L.56		C	
5UE/6787	P.U.L.1003 Mk. 4	<b>PUMP</b> , fuel ... ..	1	—		A	
		Attaching parts for P.U.L.1003, Mk. 4:—					
28M/10328	AGS.2002/C/1	Nut, 2 BA ... ..	14	—		C	
12251	EEAS.28/4BU	Washer ... ..	2	—		C	
28W/9419475	SP.15/C	Washer ... ..	12	—		C	
28F/8011819	AGS.904/B	<b>SLEEVE</b> , outer ... ..	1	—		C	
28F/9423237	AGS.1132/B	<b>UNION</b> , banjo body ... ..	1	—		C	
		Attaching parts for AGS.1132/B:—					
28F/9423227	AGS.1135/B	Bolt, banjo ... ..	1	—		C	
28W/9130226	AGS.164/F	Washer ... ..	2	—		C	

**SERVICES**  
**FUEL SYSTEM IN CENTRE FUSELAGE**

Ref. No.	Part No.	Description						No. off	Matl. Spec.	Cl. of Equip.	Plate No.
		1	2	3	4	5	6			M.R. L.M.	
1190	E.A1.57.31							1	Neo-K-Tex	C	
1189	E.A1.57.29							1	Neo-K-Tex	C	
27537	E.A3.57.527							1	L.17	C	
27538	E.A3.57.529							1	L.17	C	
	E.A3.57.209							—	—	—	
	E.E. CO. LTD. TYPE 201 MK.8							1	—	—	
5W/328	AED.200152							1	—	A	
5W/337	†							1	—	B	
	SAUNDERS										
27F/2206	E.42.F10							1	—	A	
28M/10288	AGS.2001/C/1							2	—	C	
30A/3055	†							QR	—	C	
28D/9436920	A25/1C							2	—	C	
28W/3098	AGS.162/C							2	—	C	
28W/9419475	SP.15/C							2	—	C	
12635	E.B6.57.125							1	L.40	C	
8173	E.A1.57.617							1	—	C	
28M/9403520	A27/CP							16	—	C	
28W/3098	AGS.162/C							16	—	C	
1186	E.A1.57.607							1	L.72	C	
28D/12513	A25/2C							1	—	C	
28M/10288	AGS.2001/C/1							1	—	C	
28W/9419475	SP.15/C							1	—	C	
8175	E.A1.57.603							1	L.72	C	
28D/9436920	A25/1C							5	—	C	
28D/12513	A25/2C							10	—	C	
28M/10288	AGS.2001/C/1							10	—	C	
28W/9419475	SP.15/C							20	—	C	
8174	E.A1.57.601							1	DTD.687	C	
1185	E.A1.57.605							4	DTD.126	C	
28M/9403520	A27/CP							16	—	C	
28M/10290	AGS.2001/E/1							4	—	C	
28W/3098	AGS.162/C							16	—	C	
28W/9419405	SP.15/E							4	—	C	
5542	EEAS.143/6							1	L.72	C	
28D/12528	A25/1B							1	—	C	
28M/10287	AGS.2001/B/1							1	—	C	
28W/9419465	SP.13/B							1	—	C	

**SERVICES**  
**FUEL SYSTEM IN CENTRE FUSELAGE**

Ref. No.	Part No.	Description	No. off	Matl. Spec.	Cl. of Equip.	Plate No.
					M.R. L.M.	
		1 2 3 4 5 6				
28F/6353	AGS.952/B	<b>COLLAR</b> ... ..	1	—	C	
	EEAS.77/11	<b>HOSE</b> , rubber, ½" i/d x ½" o/d x 1½" long, (make from 32C/407)	1	DTD.625	LM	
28F/9501	AGS.1142/B	<b>NIPPLE</b> , adaptor ... ..	1	—	C	
8176	E.A1.57.625	<b>PIPE</b> , drain, ½" o/d x 22 SWG ... ..	1	L.56	C	
	PULSOMETER					
SUE/6787	PUL.1003 MK.4	<b>PUMP</b> , fuel ... .. Attaching parts for PUL.1003 Mk.4:—	1	—	A	
28D/10323	AGS.2002/C/1	Nut, 2 BA ... ..	14	—	C	
12251	EEAS.28/4BU	Washer ... ..	2	—	C	
28W/9419475	SP.15/C	Washer ... ..	12	—	C	
28F/5722	AGS.904/B	<b>SLEEVE</b> , outer ... ..	1	—	C	
28F/9423237	AGS.1132/B	<b>UNION</b> , banjo body ... .. Attaching parts for AGS.1132/B:—	1	—	C	
28F/9423227	AGS.1135/B	Bolt, banjo ... ..	1	—	C	
28W/6701	AGS.164/F	Washer ... ..	2	—	C	
1190	E.A1.57.31	<b>WASHER</b> , under fuel pump mounting adaptor	1	Neo-K-Tex	C	
1189	E.A1.57.29	<b>WASHER</b> , between, fuel pump, and mounting adaptor	1	Neo-K-Tex	C	
27537	E.A3.57.527	<b>WASHER</b> , between fuel pump and fuel cock adaptor	1	L.17	C	
27538	E.A3.57.529	<b>WASHER</b> , between, fuel cock and adaptor ...	1	L.17	C	
	E.A3.57.211	<b>PUMP, FUEL, NO. 2, PORT, ASSEMBLY</b> ...	—	—	—	
	E.E. CO.LTD.	Spares for:—				
	TYPE 201 MK.8	<b>ACTUATOR, AND FUEL COCK, ASSEMBLY...</b>	1	—	—	
		Consisting of:—				
5W/328	AED.200152	<b>ACTUATOR</b> , type 200 Mk. 1 ... ..	1	—	A	
5W/337	†	<b>ADAPTOR</b> , c/w label ... ..	1	—	B	
	SAUNDERS					
27F/2206	E.42.F10	<b>COCK</b> , fuel ... ..	1	—	A	
28M/10288	AGS.2001/C/1	<b>NUT</b> , 2 BA ... ..	2	—	C	
30A/3055	†	<b>WIRE</b> , locking, 22 SWG ... ..	QR	—	C	
		Attaching parts for TYPE 201 Mk. 8:—				
28D/9436920	A25/1C	Bolt, 2 BA ... ..	2	—	C	
28W/3098	AGS.162/C	Washer ... ..	2	—	C	
28W/9419475	SP.15/C	Washer ... ..	2	—	C	
12635	E.B6.57.125	<b>ADAPTOR</b> , fuel pump cock ... ..	1	L.40	C	
3175	E.A1.57.571	<b>ADAPTOR</b> , fuel pump mounting ... .. Attaching parts for E.A1.57.571:—	1	—	C	
28M/9403520	A27/CP	Nut, 2 BA ... ..	16	—	C	
28W/3098	AGS.162/C	Washer ... ..	16	—	C	
1194	E.A1.57.709	<b>BRACKET</b> , actuator support ... .. Attaching parts for E.A1.57.709:—	1	—	C	
28D/8306	AS.1242/1C	Bolt, 2 BA ... ..	3	—	C	
28M/10288	AGS.2001/C/1	Nut, 2 BA ... ..	3	—	C	
28W/9419475	SP.15/C	Washer ... ..	3	—	C	

**SERVICES**  
**FUEL SYSTEM IN CENTRE FUSELAGE**

Ref. No.	Part No.	Description	No. off	Matl. Spec.	Cl. of Equip.	Place No.
					M.R. L.M.	
		1 2 3 4 5 6				
8778	E.A1.57.576	<b>BRACKET</b> , channel, assembly, fuel pump mounting	1	—	C	
		Attaching parts for E.A1.57.576:—				
28D/9436920	A25/1C	Bolt, 2 BA ... ..	12	—	C	
28M/10288	AGS.2001/C/1	Nut, 2 BA ... ..	12	—	C	
28W/9419475	SP.15/C	Washer ... ..	12	—	C	
8171	E.A1.57.589	<b>BRACKET</b> , plate, angle, fuel pump mounting	1	DTD.687	C	
		Attaching parts for E.A1.57.589:—				
1185	E.A1.57.605	Bolt, 1/2" BSF ... ..	4	DTD.126	C	
28D/8306	AS.1242/1C	Bolt, 2 BA ... ..	3	—	C	
28M/9403520	A27/CP	Nut, 2 BA ... ..	16	—	C	
28M/10288	AGS.2001/C/1	Nut, 2 BA ... ..	3	—	C	
28M/10290	AGS.2001/E/1	Nut, 1/2" BSF ... ..	4	—	C	
28W/3098	AGS.162/C	Washer ... ..	16	—	C	
28W/9419475	SP.15/C	Washer ... ..	3	—	C	
28W/9419405	SP.15/E	Washer ... ..	4	—	C	
5542	EEAS.143/6	<b>CLIP</b> , pipe, single ... ..	1	L.72	C	
		Attaching parts for EEAS.143/6:—				
28D/8300	AS.1242/1B	Bolt, 4 BA ... ..	1	—	C	
28M/10287	AGS.2001/B/1	Nut, 4 BA ... ..	1	—	C	
28W/9419465	SP.13/B	Washer ... ..	1	—	C	
28F/6353	AGS.952/B	<b>COLLAR</b> ... ..	1	—	C	
	EEAS.77/11	<b>HOSE</b> , rubber, 1/2" i/d x 1/2" o/d x 1 1/2" long (Make from 32C/407)	1	DTD.625	LM	
28F/9501	AGS.1142/B	<b>NIPPLE</b> , adaptor ... ..	1	—	C	
8774	E.A1.57.629	<b>PIPE</b> , drain, 1/2" o/d x 20 SWG ... ..	1	L.56	C	
	PULSOMETER					
5UE/6787	PUL. 1003 MK.4	<b>PUMP</b> , fuel ... ..	1	—	A	
		Attaching parts for PUL.1003 Mk. 4:—				
28D/10328	AGS.2002/C/1	Nut, 2 BA ... ..	14	—	C	
12251	EEAS.28/4BU	Washer ... ..	2	—	C	
28W/9419475	SP.15/C	Washer ... ..	12	—	C	
28F/5722	AGS.904/B	<b>SLEEVE</b> , outer ... ..	1	—	C	
28F/9423237	AGS.1132/B	<b>UNION</b> , banjo, body ... ..	1	—	C	
		Attaching parts for AGS.1132/B:—				
28F/9423227	AGS.1135/B	Bolt, banjo ... ..	1	—	C	
28W/6701	AGS.164/F	Washer ... ..	2	—	C	
1190	E.A1.57.31	<b>WASHER</b> , under fuel pump mounting adaptor	1	Neo-K-Tex	C	
1189	E.A1.57.29	<b>WASHER</b> , between. fuel pump and mounting adaptor	1	Neo-K-Tex	C	
27537	E.A3.57.527	<b>WASHER</b> , between fuel pump and fuel cock adaptor	1	L.17	C	
27538	E.A3.57.529	<b>WASHER</b> , between, fuel cock and adaptor ...	1	L.17	C	
	E.A3.57.213	<b>PUMP, FUEL, NO. 2, STARBOARD, ASSEMBLY</b>	—	—	—	
		Spare for:—				
	E.E. CO. LTD. TYPE 201 MK.8	<b>ACTUATOR AND FUEL COCK, ASSEMBLY</b>	1	—	—	
		Consisting of:—				
5W/328	AED.200152	<b>ACTUATOR</b> , type 200, Mk. 1 ... ..	1	—	A	

**SERVICES**  
**FUEL SYSTEM IN CENTRE FUSELAGE**

Ref. No.	Part No.	Description	No. off	Matl. Spec.	Cl. of Equip.	Plate No.
					M.R. L.M.	
SW/337	† SAUNDERS	ADAPTOR, c/w label ... ..	1	—	B	
27F/2206	E.42.F10	COCK, fuel ... ..	1	—	A	
28M/10288	AGS.2001/C/1	NUT, 2 BA ... ..	2	—	C	
30A/3055	†	WIRE, locking, 22 SWG ... ..	QR	—	C	
28D/9436920	A25/1C	Attaching parts for TYPE 201 Mk. 8:—				
28W/3098	AGS.162/C	Bolt, 2 BA ... ..	3	—	C	
28W/9419475	SP.15/C	Washer ... ..	3	—	C	
		Washer ... ..	3	—	C	
12635	E.B6.57.125	ADAPTOR, fuel pump cock ... ..	1	L.40	C	
3175	E.A1.57.571	ADAPTOR, fuel pump mounting ... ..	1	—	C	
28M/9403520	A27/CP	Attaching parts for E.A1.57.571:—				
28W/3098	AGS.162/C	Nut, 2 BA ... ..	16	—	C	
		Washer ... ..	16	—	C	
1193	E.A1.57.591	BRACKET, actuator support ... ..	1	—	C	
28D/9436920	A25/1C	Attaching parts for E.A1.57.591:—				
28M/10288	AGS.2001/C/1	Bolt, 2 BA ... ..	1	—	C	
28W/9419475	SP.15/C	Nut, 2 BA ... ..	1	—	C	
		Washer ... ..	1	—	C	
	E.A1.57.575	BRACKET, channel, assembly, fuel pump mounting	1	—	—	
28D/9436920	A25/1C	Attaching parts for E.A1.57.575:—				
28M/10288	AGS.2001/C/1	Bolt, 2 BA ... ..	12	—	C	
28W/9419475	SP.15/C	Nut, 2 BA ... ..	12	—	C	
		Washer ... ..	12	—	C	
8172	E.A1.57.647	BRACKET, plate, fuel pump mounting ... ..	1	—	C	
1185	E.A1.57.605	Attaching parts for E.A1.57.649:—				
28M/9403520	A27/CP	Bolt, ½" BSF ... ..	4	DTD.126	C	
28M/10290	AGS.2001/E/1	Nut, 2 BA ... ..	16	—	C	
28W/3098	AGS.162/C	Nut, ½" BSF ... ..	4	—	C	
28W/9419405	SP.15/E	Washer ... ..	16	—	C	
		Washer ... ..	4	—	C	
8180	E.A1.57.599	CHANNEL, joggled, fuel cock bracket, mounting	1	—	C	
28D/12531	A25/3C	Attaching parts for E.A1.57.599:—				
28M/10288	AGS.2001/C/1	Bolt, 2 BA ... ..	2	—	C	
28W/9419475	SP.15/C	Nut, 2 BA ... ..	2	—	C	
		Washer ... ..	2	—	C	
5542	EEAS.143/6	CLIP, pipe, single ... ..	1	L.72	C	
28D/8300	AS.1242/1B	Attaching parts for EEAS.143/6:—				
28M/10287	AGS.2001/B/1	Bolt, 4 BA ... ..	1	—	C	
28W/9419465	SP.13/B	Nut, 4 BA ... ..	1	—	C	
		Washer ... ..	1	—	C	
28F/6353	AGS.952/B EEAS.77/11	COLLAR ... ..	1	—	C	
28F/9501	AGS.1142/B	HOSE, rubber, ½" i/d x ½" o/d x 1½" long (make from 32C/407)	1	DTD.625	LM	
8178	E.A1.57.631	NIPPLE, adaptor ... ..	1	—	C	
		PIPE, drain, ½" o/d x 20 SWG ... ..	1	L.56	C	

**SERVICES**  
**FUEL SYSTEM IN CENTRE FUSELAGE**

Ref. No.	Part No.	1	2	3	4	5	6	Description	No. off	Matl. Spec.	Cl. of Equip.		Plate No.
											M.R.	L.M.	
SUE/6787	PULSOMETER PUL. 1003 MK.4							PUMP, fuel ... ..	1	—		A	
								Attaching parts for PUL.1003 Mk.4:—					
28D/10328	AGS.2002/C/1							Nut, 2 BA ... ..	14	—		C	
12251	EEAS.28/4BU							Washer ... ..	2	—		C	
28W/9419475	SP.15/C							Washer ... ..	12	—		C	
28F/5722	AGS.904/B							SLEEVE, outer ... ..	1	—		C	
28F/9423237	AGS.1132/B							UNION, banjo, body ... ..	1	—		C	
								Attaching parts for AGS.1132/B:—					
28F/9423227	AGS.1135/B							Bolt, banjo ... ..	1	—		C	
28W/6701	AGS.164/F							Washer ... ..	2	—		C	
1190	E.A1.57.31							WASHER, under fuel pump mounting adaptor	1	Neo-K-Tex		C	
1189	E.A1.57.29							WASHER, between, fuel pump and mounting adaptor	1	Neo-K-Tex		C	
27537	E.A3.57.527							WASHER, between, fuel pump and fuel cock adaptor	1	L17		C	
27538	E.A3.57.529 E.A3.57.215							WASHER, between, fuel cock and adaptor ...	1	L17		C	
								PUMP, FUEL, NO. 3, PORT, ASSEMBLY ...	—	—		—	
								Spares for:—					
	E.E. CO. LTD. TYPE 201 MK8							ACTUATOR, AND FUEL COCK, ASSEMBLY ...	1	—		—	
								Consisting of:—					
5W/328	AED.200152							ACTUATOR, type 200 Mk. 1 ... ..	1	—		A	
5W/337	†							ADAPTOR, c/w label ... ..	1	—		B	
27F/2206	SAUNDERS E.42.F10							COCK, fuel ... ..	1	—		A	
28M/10288	AGS.2001/C/1							NUT, 2 BA ... ..	2	—		C	
30A/3055	†							WIRE, locking, 22 SWG ... ..	QR	—		C	
								Attaching parts for TYPE 201 Mk. 8:—					
28D/9436920	A25/1C							Bolt, 2 BA ... ..	1	—		C	
28W/3098	AGS.162/C							Washer ... ..	1	—		C	
12635	E.B6.57.125							ADAPTOR, fuel pump cock ... ..	1	L.40		C	
3175	E.A1.57.571							ADAPTOR, fuel pump mounting ... ..	1	—		C	
								Attaching parts for E.A1.57.571:—					
28M/9403520	A27/CP							Nut, 2 BA ... ..	16	—		C	
28W/3098	AGS.162/C							Washer ... ..	16	—		C	
3176	E.A1.57.39							BRACKET, fuel pump mounting ... ..	1	L.72		C	
								Attaching parts for E.A1.57.39:—					
28D/9436920	A25/1C							Bolt, 2 BA ... ..	12	—		C	
28M/10288	AGS.2001/C/1							Nut, 2 BA ... ..	12	—		C	
28W/9419475	SP.15/C							Washer ... ..	12	—		C	
5542	EEAS.143/6							CLIP, pipe, single ... ..	1	L.72		C	
								Attaching parts for EEAS.143/6:—					
28D/12528	A25/1B							Bolt, 4 BA ... ..	1	—		C	
28M/10287	AGS.2001/B/1							Nut, 4 BA ... ..	1	—		C	
28W/9419465	SP.13/B							Washer ... ..	1	—		C	

**SERVICES**  
**FUEL SYSTEM IN CENTRE FUSELAGE**

Ref. No.	Part No.	Description	No. off	Matl. Spec.	Cl. of Equip.	Plate No.
					M.R. L.M.	
		1 2 3 4 5 6				
28F/6353	AGS.952/B EEAS.77/11	<b>COLLAR</b> ... .. <b>HOSE</b> , rubber, ¼" i/d x ½" o/d x 1½" long (Make from 32C/407)	1 1	— DTD.625	C LM	
28F/9501 8775	AGS.1142/B E.A3.57.53	<b>NIPPLE</b> , adaptor ... .. <b>PIPE</b> , drain. ¼" o/d x 22 SWG ... ..	1 1	— L.56	C C	
5UE/6787	PULSOMETER PUL. 1003 MK.4	<b>PUMP</b> , fuel ... .. Attaching parts for PUL.1003 Mk. 4:—	1	—	A	
28D/10328 12251	AGS.2002/C/1 EEAS.28/4BU	Nut, 2 BA ... .. Washer ... ..	14 2	— —	C C	
28W/9419475	SP.15/C	Washer ... ..	12	—	C	
28F/5722 28F/9423237	AGS.904/B AGS.1132/B	<b>SLEEVE</b> , outer ... .. <b>UNION</b> , banjo, body ... .. Attaching parts for AGS.1132/B:—	1 1	— —	C C	
28F/9423227 28W/6701	AGS.1135/B AGS.164/F	Bolt, banjo ... .. Washer ... ..	1 2	— —	C C	
1190 1189	E.A1.57.31 E.A1.57.29	<b>WASHER</b> , under fuel pump mounting adaptor <b>WASHER</b> , between. fuel pump, and mounting adaptor	1 1	Neo-K-Tex Neo-K-Tex	C C	
27537	E.A3.57.527	<b>WASHER</b> , between, fuel pump and fuel cock adaptor	1	L.17	C	
27538	E.A3.57.529 E.A3.57.217	<b>WASHER</b> , between, fuel cock and adaptor ... <b>PUMP, FUEL, NO. 3, STARBOARD, ASSEMBLY</b> Spares for:—	1 —	L.17 —	C —	
	E.E. CO. LTD. TYPE 201 MK.9	<b>ACTUATOR, AND FUEL COCK, ASSEMBLY</b> ... Consisting of:—	1	—	—	
5W/328 5W/337	AED.200152 † SAUNDERS	<b>ACTUATOR</b> , type 200 Mk. 1 ... .. <b>ADAPTOR</b> , c/w label ... ..	1 1	— —	A B	
27F/2206 28M/10288 30A/3055	E.42.F10 AGS.2001/C/1 †	<b>COCK</b> , fuel ... .. <b>NUT</b> , 2 BA ... .. <b>WIRE</b> , locking, 22 SWG ... .. Attaching parts for TYPE 201 Mk. 8:—	1 2 QR	— — —	A C C	
28D/9436920 28W/3098	A25/1C AGS.162/C	Bolt, 2 BA ... .. Washer ... ..	1 1	— —	C C	
12635 3175	E.B6.57.125 E.A1.57.571	<b>ADAPTOR</b> , fuel pump cock ... .. <b>ADAPTOR</b> , fuel pump mounting ... .. Attaching parts for E.A1.57.571:—	1 1	L.40 —	C C	
28M/9403520 28W/3098	A27/CP AGS.162/C	Nut, 2 BA ... .. Washer ... ..	16 16	— —	C C	
3178	E.A1.57.41	<b>BRACKET</b> , fuel pump mounting ... .. Attaching parts for E.A1.57.41:—	1	L.72	C	
28D/9436920 28M/10288 28W/9419475	A25/1C AGS.2001/C/1 SP.15/C	Bolt, 2 BA ... .. Nut, 2 BA ... .. Washer ... ..	12 12 12	— — —	C C C	
5542	EEAS.143/6	<b>CLIP</b> , pipe, single ... .. Attaching parts for EEAS.143/6:—	1	L.72	C	
28D/12528 28M/10287 28W/9419465	A25/1B AGS.2001/B/1 SP.13/B	Bolt, 4 BA ... .. Nut, 4 BA ... .. Washer ... ..	1 1 1	— — —	C C C	

**SERVICES**  
**FUEL SYSTEM IN CENTRE FUSELAGE**

Ref. No.	Part No.	Description	No. off	Matl Spec.	Cl. of Equip.	Plate No.
					M.R. L.M.	
		1 2 3 4 5 6:				
28F/9439531	AGS.952/B EEAS.77/11	<b>COLLAR</b> ... .. <b>HOSE</b> , rubber, 1/2" i/d x 1/2" o/d x 1 1/2" long (Make from 32C/1275030)	1 1	— BSF.67 Type 1	C LM	
28F/8011885 3179	AGS.1142/B E.A1.57.647 PULSOMETER	<b>NIPPLE</b> , adaptor ... .. <b>PIPE</b> , drain, 1/2" o/d x 20 SWG ... ..	1 1	— L.56	C C	
5UE/6787	PUL. 1003 MK.4	<b>PUMP</b> , fuel ... .. Attaching parts for PUL.1003 Mk. 4:—	1	—	A	
28M/9433473 12251	AGS.2002/C/1 EEAS.28/4BU	Nut, 2 BA ... .. Washer ... ..	14 2	— —	C C	
28W/9419475	SP.15/C	Washer ... ..	12	—	C	
28F/9717654	AGS.2111	<b>SLEEVE</b> , outer ... ..	1	—	C	
28F/9423237	AGS.1132/B	<b>UNION</b> , banjo body ... .. Attaching parts for AGS 1132/B:—	1	—	C	
28F/9423227 28W/9130226	AGS.1135/B AGS.164/F	Bolt, banjo ... .. Washer ... ..	1 2	— —	C C	
1190	E.A1.57.31	<b>WASHER</b> , under fuel pump mounting adaptor	1	Neo-K-Tex	C	
1189	E.A1.57.29	<b>WASHER</b> , between, fuel pump and mounting adaptor	1	Neo-K-Tex	C	
27537	E.A3.57.527	<b>WASHER</b> , between, fuel pump and fuel cock adaptor	1	L.17	C	
27538	E.A3.57.529	<b>WASHER</b> , between, fuel cock and adaptor ...	1	L.17	C	
1446	EEAS.66/5	<b>RING</b> , clamping, for hose clips ... ..	16	L.72	C	
28F/9140970 980	AGS.904/C EEAS.20/1DR	<b>SLEEVE</b> , outer ... .. <b>TAB</b> , locking ... ..	2 8	— L.72	C C	
28W/9130226	AGS.164/F EEAS.77/72	<b>WASHER</b> ... .. <b>HOSE</b> , rubber, 1" i/d x 1 1/4" o/d x 2 1/2" long (Make from 32C/1275038)	2 1	— BSF.67 Type 1	C LM	
	EEAS.77/91	<b>HOSE</b> , rubber, 1 1/2" i/d x 1 7/8" o/d x 3" long (Make from 32C/1275044)	3	BSF.67 Type 1	LM	
4762	E.A3.57.185	<b>HOSE</b> , rubber, venting pipe joint ... ..	1	Silastic	C	
4763	E.A3.57.187	<b>HOSE</b> , rubber, purging pipe joint ... ..	1	Silastic	C	
4764	E.A3.11.141	<b>PANEL</b> , detachable, No. 1 fuel tank ... .. Attaching parts for E.A3.11.141:—	1	—	C	
1026	EEAS.1/1 1/2 C	Screw, 2 BA ... ..	56	S.96	C	
1028	EEAS.1/3C	Screw, 2 BA ... ..	2	S.96	C	
4765	E.A3.11.233	<b>PANEL</b> , detachable, No. 2 fuel tank ... .. Attaching parts for E.A3.11.233:—	1	—	C	
1026	EEAS.1/1 1/2 C	Screw, 2 BA ... ..	38	S.96	C	
4766	E.A3.57.83	<b>PANEL</b> , detachable, No. 3 fuel tank ... .. Attaching parts for E.A3.57.83:—	1	—	C	
1468	EEAS.1/2C	Screw, 2 BA ... ..	18	S.96	C	
	E.A3.57.501	<b>PIPES, FUEL AND VENT, AUXILIARY FUEL TANK, ASSEMBLY</b> Spares for:—	—	—	—	
	E.E. CO. LTD. BRADFORD TYPE 219 MK.1	<b>ACTUATOR AND FUEL COCK, ASSEMBLY</b> ... Consisting of:—	2	—	—	
5W/328	AED.200152	<b>ACTUATOR</b> , type 200 M.1 ... ..	1	—	A	

**SERVICES**  
**FUEL SYSTEM IN CENTRE FUSELAGE**

Ref. No.	Part No.	Description						No. off	Matl Spec.	Cl. of Equip. M.R. L.M.	Plate No.
		1	2	3	4	5	6				
27F/2206	SAUNDERS E.42.F10							1	—	A	
	A.E.A.219012							1	—	—	
28M/1278190	AGS.2001/C/1							2	—	C	
30A/9148334	†							QR	—	C	
28M/1278190	AGS.2001/C/1							3	—	C	
28T/2904	AGS.884/B							3	—	C	
28W/9419402	SP.13/C							3	—	C	
20470	E.A3.57.259							1	—	C	
20471	E.A3.57.261							1	—	C	
28D/9436920	A25/1C							6	—	C	
28M/1278190	AGS.2001/C/1							6	—	C	
28W/9419402	SP.13/C							6	—	C	
3107	E.A1.57.267							1	—	C	
28D/1212939	A61/1C							3	—	C	
28D/9434862	A61/6C							3	—	C	
28M/10281	AGS.2001/C/3							6	—	C	
	AS.2809/4/06							3	L.62	LM	
28W/9419402	SP.13/C							6	—	C	
1145	E.A1.57.317							8	L.72	C	
28D/1212964	A61/1B							2	—	C	
28M/1956039	AGS.2001/B/3							2	—	C	
28W/9419465	SP.13/B							2	—	C	
1438625	E.A3.57.285							1	L.72	C	
28D/1010658	A25/1B							2	—	C	
28M/1278189	AGS.2001/B/1							2	—	C	
28W/9419465	SP.13/B							2	—	C	
8190	E.A3.57.481							2	BS.2572 Type 3	C	
28D/9419452	A25/3B							4	—	C	
28M/1278189	AGS.2001/B/1							4	—	C	
28W/9419465	SP.13/B							4	—	C	
12231	E.A3.57.491							1	—	C	
	EEAS.77/81							9	BSF.67 Type 1	LM	
28F/9513420	AGS.1142/J							7	—	C	
1147	E.A1.57.271							1	L.54	C	S.12

**SERVICES**  
**FUEL SYSTEM IN CENTRE FUSELAGE**

Ref. No.	Part No.	Description	No. off	Matl Spec.	Cl. of Equip.	Plate No.
					M.R. L.M.	
		1 2 3 4 5 6				
1726	E.A1.57.1127	PIPE, assembly, fuel, from port and starboard non-return valve to flexible couplings	2	—	C	S.12
5999	E.A3.57.441	PIPE, fuel, from branch pipe to hose coupling centre port, frame 27	1	L.54	C	S.12
6501	E.A3.57.445	PIPE, fuel, between hose couplings, centre of frame 27	1	L.54	C	S.12
5998	E.A3.57.451	PIPE, fuel, between hose couplings, branch pipe and No. 3 fuel tank pipe, port	1	L.54	C	S.12
21170	E.A3.57.493	PIPE, assembly, fuel, from branch pipe to fuel cock, port	1	L.54	C	S.12
12976	E.A3.57.495	PIPE, fuel, from branch pipe to fuel cock, starboard	1	L.54	C	S.12
12974	E.A3.57.497	PIPE, assembly, fuel, 4-way branch at frame 27, port	1	T.26	C	S.12
12975	E.A3.57.499	PIPE, assembly, branch, fuel between non-return valve and hose connection, centre of frame 27, starboard	1	L.54	C	S.12
28F/9152509	AGS.1140/J	PLUG, nipple, fuel cock ... ..	2	—	C	
1446	EEAS.66/5	RING, clamping, fuel hose clips ... ..	18	L.72	C	
28F/9563150	AGS.904/J	SLEEVE, outer, fuel cock ... ..	2	—	C	
1729	EEAS.20/1DU	TAB, locking ... ..	5	DTD.124	C	
	E.A1.81.429	TERMINAL, earth ... ..	1	—	—	
28F/4051610	AGS.1103/J	UNION, body, float valve ... ..	1	—	C	
	SELF PRIMING ENG. CO. LTD.					
27F/2909	FV.1250S Mk. 6	VALVE, float, 1 1/2" BSP (Pre-Mod. 3763) ... ..	1	—	A	
27F/5854	FV.1250S Mk. 7	VALVE, float, 1 1/2" BSP (Mod. 3763, Pre-Mod. 3906)	1	—	A	
27F/6959	FV.1250S Mk. 8	VALVE, float, 1 1/2" BSP (Mod. 3906) ... ..	1	—	A	
		Attaching parts for FV.1250S:—				
28M/10281	AGS.2001/C/3	Nut, 2 BA ... ..	12	—	C	
6502	E.A3.57.455	Ring, sealing ... ..	2	Neo-K-Tex	C	
28W/9419402	SP.13/C	Washer ... ..	12	—	C	
	SELF PRIMING ENG. CO. LTD.					
27F/2152	SPE.1706	VALVE, non-return, type P24A, Mk. 2 (Pre-Mod. 2690)	2	—	A	S.12
27F/5178	SPE.1706	VALVE, non-return, type P24A, Mk. 3 (Mod. 2690)	2	—	A	
	E.B6.57.85	PIPES, RECUPERATOR, CENTRE FUSELAGE, ASSEMBLY (MOD. 1478)	—	—	—	
		Spare for:—				
28F/1034376	AGS.1131/A	CONE, banjo body ... ..	1	—	C	
		Attaching parts for AGS.1131/A:—				
28F/12852	AGS.1213/A	Bolt, banjo body ... ..	1	—	C	
28F/9428452	AGS.1186/A	Seal, bonded ... ..	2	—	C	
28F/9440883	AGS.1131/C	CONE, banjo body ... ..	1	—	C	
		Attaching parts for AGS.1131/C:—				
28F/9140977	AGS.1213/C	Bolt, banjo body ... ..	1	—	C	
28F/9429532	AGS.1186/C	Seal, bonded ... ..	2	—	C	

**SERVICES  
FUEL SYSTEM IN CENTRE FUSELAGE**

Ref. No.	Part No.	Description	No. off	Matl Spec	Cl. of Equip.	Plate No.
					M.R. L.M.	
		1 2 3 4 5 6				
28F/9129085	AGS.1102/A	<b>CONE</b> , union body ... ..	6	—	C	
28F/9471001	AGS.1102/C	<b>CONE</b> , union body ... ..	6	—	C	
28F/1036556	AGS.1111/A	<b>CONE</b> , union body, flanged ... ..	2	—	C	
		Attaching parts for AGS.1111/A:—				
28D/1008149	A25/2B	Bolt, 4 BA ... ..	3	—	C	
28M/9403519	A27/BP	Nut, 4 BA ... ..	3	—	C	
28F/9152415	AGS.1115/1	Washer, plate ... ..	1	—	C	
28W/9416642	SP.47/B	Washer ... ..	3	—	C	
28F/1036557	AGS.1111/C	<b>CONE</b> , union body, flanged ... ..	2	—	C	
		Attaching parts for AGS.1111/C:—				
28D/9133011	A25/2C	Bolt, 2 BA ... ..	3	—	C	
28M/9403520	A27/CP	Nut, 2 BA ... ..	3	—	C	
28F/9128929	AGS.1115/4	Washer, plate ... ..	1	—	C	
28W/9416643	SP.47/C	Washer ... ..	3	—	C	
38992	E.B6.57.87	<b>PIPE</b> , assembly, from wing fuselage connection to coupling between frames 22 and 23, fuel bleed line, port	1	DTD.5019	LM	S.12
38993	E.B6.57.89	<b>PIPE</b> , assembly, from coupling between frames 22 and 23, to coupling forward of frame 27, fuel bleed line, port	1	DTD.5019	LM	S.12
38994	E.B6.57.91	<b>PIPE</b> , assembly, from coupling forward of frame 27, to coupling at frame 27, fuel bleed line, port	1	DTD.5019	LM	S.12
36845	E.B6.57.93	<b>PIPE</b> , assembly, from wing fuselage connection to coupling between frames 22 and 23, fuel bleed line, starboard	1	DTD.5019	LM	S.12
36846	E.B6.57.95	<b>PIPE</b> , assembly, from coupling between frames 22 and 23, to coupling forward of frame 27, fuel bleed line, starboard	1	DTD.5019	LM	S.12
41231	E.B6.57.97	<b>PIPE</b> , assembly, from coupling forward of frame 27, to coupling at frame 27, fuel bleed line, starboard	1	DTD.5019	LM	S.12
	E.B6.57.99	<b>PIPE</b> , assembly, continuation, on frame 27 to banjo union at frame 27, fuel bleed line, port	1	DTD.5019	LM	S.12
40420	E.B6.57.101	<b>PIPE</b> , assembly, continuation, on frame 27 to banjo union at frame 27, fuel bleed line, starboard	1	DTD.5019	LM	S.12
27419	E.B6.57.103	<b>PIPE</b> , assembly, from wing fuselage connection to coupling between frames 22 and 23, air balance line, port	1	L.56	LM	S.12
28589	E.B6.57.105	<b>PIPE</b> , assembly, from coupling between frames 22 and 23, to coupling forward of frame 27, air balance line, port	1	L.56	LM	S.12

**SERVICES**  
**FUEL SYSTEM IN CENTRE FUSELAGE**

Ref. No.	Part No.	Description						No. off	Matl. Spec.	Cl. of Equip.		Plate No.
		1	2	3	4	5	6			M.R.	L.M.	
34791	E.B6.57.107	PIPE, assembly, from coupling forward of frame 27, to coupling at frame 27, air balance line, port						1	L.56	C		S.12
43264	E.B6.57.109	PIPE, assembly, from wing fuselage connection to coupling between frames 22 and 23, air balance line, starboard						1	L.56	LM		S.12
40656	E.B6.57.111	PIPE, assembly, from coupling between frames 22 and 23, to coupling forward of frame 27, air balance line, starboard						1	L.56	LM		S.12
39281	E.B6.57.113	PIPE, assembly, from coupling forward of frame 27, to coupling at frame 27, air balance line, starboard						1	L.56	LM		S.12
41977	E.B6.57.115	PIPE, assembly, from frame 27 to banjo union on vent pipe, air balance line, port						1	L.56	LM		S.12
	E.B6.57.117	PIPE, assembly, from frame 27 to banjo union on vent pipe, air balance line, starboard						1	L.56	LM		S.12
38736	E.B7.57.123	TAB, locking (wire) (Made from Ref. No. 980) ...						4	L.72	C		
981	EEAS.20/2DR	TAB, locking (wire) ...						4	—	C		
18852	EEAS.21/2DR	WASHER, "D" ...						2	L.72	C		
12888	EEAS.21/8CR	WASHER, "D" ...						15	L.72	C		
12889	EEAS.21/8CRH	WASHER, "D", bonding ...						17	L.72	C		
	E.A1.57.249	<b>PIPES, AIR, AND BLOW-OFF VALVE, FORWARD OF FRAME 22, ASSEMBLY</b>						—	—	—		
		Spares for:—										
17525	EEAS.143/10	CLIP, pipe, single ...						4	L.72	C		
		Attaching parts for EEAS.143/10:—										
28D/1007979	AS.1246/1B	Bolt, 4 BA ...						1	—	C		
28M/1278189	AGS.2001/B/1	Nut, 4 BA ...						1	—	C		
7223	E.A1.57.1179	<b>FAIRLEAD</b> ...						4	LFS.21	C		
		Attaching parts for E.A1.57.1179:—										
28D/1011019	A25/8C	Bolt, 2 BA ...						1	—	C		
28M/1278190	AGS.2001/C/1	Nut, 2 BA ...						1	—	C		
28W/9419475	SP.15/C	Washer ...						1	—	C		
	EEAS.77/33	<b>HOSE</b> , rubber, 1/2" i/d. x 3/4" o/d. x 2" long (Make from 32C/408)						8	DTD.625	LM		
1605	E.A1.57.1147	PIPE, air, from connection at starboard side, to blow-off valve, side, forward, connection						1	L.56	C		S.12
1606	E.A1.57.1149	PIPE, air, from connection at starboard side, to blow-off valve, side, aft, connection						1	L.56	C		S.12
1603	E.A1.57.1151	PIPE, air, from connection at port side, to blow-off valve, side, aft, connection						1	L.56	C		S.12
1604	E.A1.57.1153	PIPE, air, from connection at port side, to blow-off valve, side, forward, connection						1	L.56	C		S.12

**SERVICES**  
**FUEL SYSTEM IN CENTRE FUSELAGE**

Ref. No.	Part No.	Description	No. off	Matl. Spec.	Cl. of Equip.	Plate No.
					M.R. L.M.	
	E.A1.57.1131	<b>VALVE, BLOW-OFF, ASSEMBLY</b> ... ..	1	—	—	S.12
		Spares for:—				
1722	E.A1.57.1171	<b>BODY, valve</b> ... ..	1	—	C	S.12
1648	E.A1.57.1073	<b>VALVE, AIR RELIEF, ASSEMBLY</b> ... ..	3	—	A	S.12
		Consisting of:—				
	E.A1.57.1071	<b>BODY, relief valve</b> ... ..	1	—	—	S.12
1649	E.A1.57.1143	<b>BOLT, relief valve spring mounting</b> ... ..	1	DTD.683	C	S.12
28M/10281	AGS.2001/C/3	<b>NUT, 2 BA</b> ... ..	2	—	C	
1650	E.A1.57.1039	<b>SPRING, relief valve operating</b> ... ..	1	DTD.215	C	S.12
1658	E.A1.57.1027	<b>WASHER, spring retaining</b> ... ..	1	L.72	C	S.12
1659	E.A1.57.1029	<b>WASHER, rubber seal seating</b> ... ..	1	L.72	C	S.12
1651	E.A1.57.1031	<b>WASHER, rubber, seating</b> ... ..	1	—	C	S.12
1660	E.A1.57.1033	<b>WASHER, rubber seal seating</b> ... ..	1	L.72	C	
28W/9419475	SP.15/C	<b>WASHER, 2 BA</b> ... ..	2	—	C	S.12
1723	E.A1.57.1173	<b>WASHER, sealing, valve body</b> ... ..	3	Petrolite	C	
		Attaching parts for E.A1.57.1131:—				
28D/9436920	A25/1C	<b>Bolt, 2 BA</b> ... ..	4	—	C	
28M/1278190	AGS.2001/C/1	<b>Nut, 2 BA</b> ... ..	4	—	C	
28W/9419402	SP.13/C	<b>Washer</b> ... ..	4	—	C	
6878	EEAS.66/2	<b>RING, clamping, No. 3 tank purging pipe</b> ... ..	2	L.72	C	
1444	EEAS.66/3	<b>RING, clamping, No. 2 tank purging pipe</b> ... ..	2	L.72	C	
1443	EEAS.66/7	<b>RING, clamping, No. 2 tank vent pipe</b> ... ..	2	L.72	C	
1447	EEAS.66/11	<b>RING, clamping, No. 3 tank vent pipe</b> ... ..	6	L.72	C	
4768	E.A3.57.231	<b>RING, half joint, No. 3 tank venting connection</b> ... ..	2	DTD.683	C	
4769	E.A3.57.233	<b>RING, half joint, No. 3 tank venting connection</b> ... ..	2	DTD.683	C	
		Attaching parts for E.A3.57.231 and E.A3.57.233:—				
28M/1278189	AGS.2001/B/1	<b>Nut, 4 BA</b> ... ..	2	—	C	
4767	E.A3.57.227	<b>Ring, sealing</b> ... ..	1	Synthetic Rubber	C	
988	E.A1.56.247	<b>TANK, fuel, No. 1 (See page UB.1)</b> ... ..	1	—	B	S.12
987	E.A3.56.243	<b>TANK, fuel, No. 2 (See page UB.1)</b> ... ..	1	—	B	S.12
12994	E.A3.56.445	<b>TANK, fuel, No. 3 (See page UB.1)</b> ... ..	1	—	A	S.12
1236	E.A1.57.65	<b>TEE, nitrogen purging, No. 2 fuel tank</b> ... ..	1	DTD.300	C	S.12
4770	E.A3.57.101	<b>TEE, vent, No. 2 fuel tank</b> ... ..	1	L.52	C	
		Attaching parts for E.A1.57.65 and E.A3.57.101:—				
28M/1278190	AGS.2001/C/1	<b>Nut, 2 BA</b> ... ..	8	—	C	
1240	E.A1.57.59	<b>Washer</b> ... ..	1	Neo-K-Tex	C	
1238	E.A1.57.73	<b>TUBE, purging, between frames 20 and 22</b> ... ..	1	L.56	C	S.12
4771	E.A3.57.415	<b>TUBE, purging, from No. 1 fuel tank to connection at frame 20</b> ... ..	1	—	C	S.12
	SELF PRIMING ENG. CO. LTD.					
27F/2145	SPE.1705	<b>VALVE, non-return, No. 1 and 2 fuel tank purging pipe connections (Type P.23A)</b> ... ..	2	—	A	
		Attaching parts for SPE.1705:—				
1241	E.A1.57.93	<b>Washer, joint</b> ... ..	1	Fibre	C	

SERVICES

FUEL SYSTEM IN CENTRE FUSELAGE

Ref. No.	Part No.	Description	No. off	Matl. Spec.	Cl. of Equip.	Plate No.
					M.R. L.M.	
	E.B6.57.145	<b>VENTING, FUEL, BETWEEN BULKHEAD FRAME 27A AND FRAME 30, ASSEMBLY</b>	—	—	—	
		Spares for:—				
25546	E.B7.57.315	<b>BRACKET</b> , vent pipe, at frame 28 and 29 ... ..	2	L.59	C/MR	U.2
25547	E.B7.57.317	<b>CLIP</b> , vent pipe, at frame 28 and 29 ... ..	2	L.59	C/MR	U.2
		Attaching parts for E.B7.57.315 and E.B7.57.317:—				
28D/9133012	A25/3C	<b>Bolt</b> , 2 BA ... ..	2	—	C	
28M/1278190	AGS.2001/C/1	<b>Nut</b> , 2 BA ... ..	2	—	C	
25548	E.B7.57.319	<b>Washer</b> , corner ... ..	2	L.72	C/MR	
28W/9419402	SP.13/C	<b>Washer</b> ... ..	2	—	C	
1201	E.A1.57.159	<b>ELBOW</b> , moulded rubber connecting at bulk-head frame 27A	1	—	C	
	or					
1438597	E.A3.57.411	<b>ELBOW</b> , moulded rubber connecting at bulk-head frame 27A	1	—	C	
12890	E.B7.57.203	<b>FERRULE</b> , fuel bleed line, frame 27 ... ..	1	—	C	U.3
	EEAS.77/71	<b>HOSE</b> , rubber, 1" i/d. x 1 1/2" o/d. x 2 1/2" long (Make from Ref. 32C/376)	2	DTD.625	LM	U.3
	EEAS.77/121	<b>HOSE</b> , rubber, 2" i/d. x 2 1/2" o/d. x 2 1/2" long (Make from Ref. 32C/378)	2	DTD.625	LM	U.3
	EEAS.164/40/45	<b>HOSE</b> , rubber, 2 1/2" i/d. x 3" o/d. x 4 1/2" long (Make from Ref. 32C/380)	2	DTD.625	LM	U.2
20670	E.A3.57.23	<b>PIPE</b> , vent, at frame 27A ... ..	1	—	C	
20933	E.B6.57.119	<b>PIPE</b> , branch vent, at frame 27A ... ..	1	L.54	C	U.3
25536	E.B6.57.147	<b>PIPE</b> , assembly, vent, from frame 27A to hose coupling between frames 28 and 29	1	—	C	
25550	E.B7.57.339	<b>PIPE</b> , vent, from hose couplings forward of frame 29 to aft of frame 30	1	L.56	C	U.2
1444	EEAS.66/3	<b>RING</b> , clamping, 1 1/2" dia. ... ..	4	L.72	C	U.3
1447	EEAS.66/11	<b>RING</b> , clamping, 2 1/2" dia. ... ..	2	L.72	C	U.3
1442	EEAS.66/12	<b>RING</b> , clamping, 2 1/2" dia. ... ..	4	L.72	C	
	E.A3.57.69	<b>VENT PIPES AND TROUGH FOR No. 3 FUEL TANK, ASSEMBLY</b>	—	—	—	S.12
		Spares for:—				
	E.A3.57.141	<b>BLOCK</b> , packing, purging ... ..	4	LFS.21	—	
	E.A3.57.143	<b>BLOCK</b> , packing, venting ... ..	4	LFS.21	—	
	E.A3.57.197	<b>BRACKET</b> , lacing ... ..	1	—	—	
	E.A3.57.201	<b>BRACKET</b> , lacing ... ..	1	—	—	
		Attaching parts for E.A3.57.201:—				
28D/9436920	A25/1C	<b>Bolt</b> , 2 BA ... ..	1	—	C	
28M/1278190	AGS.2001/C/1	<b>Nut</b> , 2 BA ... ..	1	—	C	
4772	E.A3.57.139	<b>CLIP</b> , pipe purging ... ..	4	L.72	C	
	E.A3.57.189	<b>CLIP</b> , pipe venting ... ..	4	L.72	—	
		Attaching parts for E.A3.57.139 and E.A3.57.189:—				
28D/1007972	A25/1C	<b>Bolt</b> , 2 BA ... ..	1	—	C	
28D/9436920	A25/1C	<b>Bolt</b> , 2 BA ... ..	1	—	C	
13183	E.A3.57.107	<b>DUCT</b> , venting, No. 3 fuel tank, between main spar and frame 27 (Pre-Mod. 2531)	1	—	C	S.12
31530	E.A3.57.525	<b>DUCT</b> , venting, No. 3 fuel tank, between main spar and frame 27 (Mod. 2531)	1	—	C	S.12

**SERVICES**  
**FUEL SYSTEM IN CENTRE FUSELAGE**

Ref. No.	Part No.	Description						No. off	Matl. Spec.	Cl. of Equip.		Plate No.
		1	2	3	4	5	6			M.R.	L.M.	
4435	E.A3.57.413	TUBE, purging, between main spar and frame 27						1	—	—	—	
	E.A3.11.129	WASHER, fuel contents gauge terminal box ...						3	L.72	C		
	E.A3.57.161	WIRES, SUPPORT, No. 3 FUEL TANK, ASSEMBLY (See page UB.1)						—	—	—		

**SERVICES  
FUEL SYSTEM IN REAR FUSELAGE**

Ref. No.	Part No.	Description	No. off	Matl. Spec.	Cl. of Equip.		Plate No.
					M.R.	L.M.	
	E.B7.57.293	VENTING, FUEL, BETWEEN FRAME 30 AND FRAME 40, ASSEMBLY	—	—	—	—	
		Spares for:—					
25546	E.B7.57.315	BRACKET, for vent pipes ... ..	9	L.59	C/MR		U.2
25547	E.B7.57.317	CLIP, for vent pipes ... ..	9	L.59	C/MR		U.2
		Attaching parts for E.B7.57.315 and E.B7.57.317:—					
28D/9133012	A25/3C	Bolt, 2 BA ... ..	2	—	C		
28M/10288	AGS.2001/C/1	Nut, 2 BA ... ..	2	—	C		
	E.B7.57.319	Washer, corner ... ..	2	L.72	—		
28W/9419475	SP.15/C	Washer ... ..	2	—	C		
	EEAS.164/40/45	HOSE, rubber, 2½" i/d x 3" o/d x 4½" long ... (make from 32C/380)	4	DTD.625	LM		U.2
	E.G4.57.7	MAST, OUTLET, INSTALLATION (MOD.4112) ...	—	—	—		
		Spares for:—					
34533	E.G4.57.5	OUTLET, mast ... ..	1	—	C		
		Attaching parts for E.G4.57.5:—					
25541	E.B7.57.303	Gasket ... ..	1	—	C		
1468	EEAS.1/2C	Screw, ... ..	6	—	C		
25542	E.B7.57.305	PIPE, vent, from hose couplings, between frames. 30 and 33	1	L.56	C		U.2
25543	E.B7.57.307	PIPE, vent, from hose couplings, between frames. 32 and 36	1	L.56 or L.54	C		U.2
25544	E.B7.57.309	PIPE, vent, from hose couplings, between frames. 35 and 38	1	L.56	C		U.2
25545	E.B7.57.311	PIPE, vent, from hose couplings, between frames. 37 and 41	1	L.56	C		U.2

**SERVICES**  
**FUEL SYSTEM IN PORT WING**

Ref. No.	Part No.	Description	No. off	Matl Spec.	Cl. of Equip.	Plate No.
					M.R. L.M.	
		1 2 3 4 5 6				
	E.B6.57.17	<b>FUEL SYSTEM IN PORT WING, ASSEMBLY</b> ...	—	—	—	
	E.B7.57.21	Spares for:— <b>PIPES, AIR, IN ENGINE NACELLE, ASSEMBLY</b> ...	—	—	—	
28F/4051696	AGS.1130/C	Spares for:— <b>BODY</b> , banjo, double ...	1	—	C	
28F/9140977	AGS.1213/C	Attaching parts for AGS.1130/C:—	1	—	C	
28F/9429532	AGS.1186/C	Bolt, banjo ...	2	—	C	
	LOCKHEED	<b>FILTER, PUROLATOR, ASSEMBLY</b> ...	1	—	B	
27M/695	MPA.30068/4	Spares for:—				
27M/9671	MPA.30110	<b>ELEMENT</b> , complete ...	1	—	C	
27M/9672	MPA.29540	<b>GASKET</b> ...	2	—	C	
28F/8011896	AGS.1142/C	<b>NIPPLE</b> , adaptor ...	5	—	C	
17726	E.A3.57.471	<b>PIPE</b> , assembly, from restrictor connection to non-return valve connection	1	T.26	C	
5915	E.B6.57.55	<b>PIPE</b> , assembly, from flexible hose joint to purolator connection	1	T.26	C	
12886	E.B7.57.211	<b>PIPE</b> , assembly, from purolator to fuel recuperator banjo connection	1	T.26	C	
12887	E.B7.57.213	<b>PIPE</b> , assembly, from recuperator banjo connection to restrictor connection	1	T.26	C	
1291	E.A1.57.351	<b>RESTRICTOR</b> , drop tank air system ...	1	DTD.5044	C	
1292	E.A1.57.859	<b>WASHER</b> , sealing ...	1	BSF.2572	C	
	E.A6.57.51	<b>PIPES, FUEL AND AIR, IN ENGINE NACELLE, ASSEMBLY</b>	—	—	—	
		Spares for:—				
1255	E.A1.57.259	<b>CLIP</b> , pipe ...	3	L.72	C	
28D/9436920	A25/1C	Attaching parts for E A1 57.259:—				
28M/1278190	AGS.2001/C/1	Bolt, 2 BA ...	2	—	C	
28W/9419475	SP.15/C	Nut, 2 BA ...	2	—	C	
		Washer ...	2	—	C	
6383	E.A3.57.417	<b>CLIP</b> , pipe ...	1	L.72	C	
7136	EEAS.143/21	<b>CLIP</b> , pipe, 1/2" o/d. ...	3	L.16	C	
28D/9436920	A25/1C	Attaching parts for EEAS.143.21:—				
28D/1011019	A25/8C	Bolt, 2 BA (As required) ...	1	—	C	
28M/1278190	AGS.2001/C/1	Bolt, 2 BA (As required) ...	1	—	C	
	AS.2811/5/065	Nut, 2 BA ...	1	—	C	
		Piece, distance (As required) ...	1	L.62	LM	
	EEAS.77/81	<b>HOSE</b> , rubber, 1 1/2" i/d. x 1 3/8" o/d. x 3" long ... (make from 32C/1275041)	1	BSF.67 Type 1	LM	
28F/8011896	AGS.1142/C	<b>NIPPLE</b> , adaptor ...	2	—	C	
28F/8011886	AGS.1142/D	<b>NIPPLE</b> , adaptor ...	3	—	C	
28F/9513420	AGS.1142/J	<b>NIPPLE</b> , adaptor ...	1	—	C	
1669	E.A3.57.35	<b>PIPE</b> , assembly, air, from non-return valve to reducing union	1	T.26	C	
1661	E.A3.57.37	<b>PIPE</b> , assembly, fuel, from coupling in inner wing to coupling in engine nacelle	1	T.26	C	
1665	E.A3.57.41	<b>PIPE</b> , assembly, air, from coupling in inner wing to coupling union in engine nacelle	1	T.26	C	

**SERVICES  
FUEL SYSTEM IN PORT WING**

Ref. No.	Part No.	Description						No. off	Matl Spec.	Cl. of Equip.		Plate No.
		1	2	3	4	5	6			M.R.	L.M.	
1667	E.A3.57.43	PIPE, assembly, air, from coupling union in engine nacelle to coupling in outer wing						1	T.26	C		
1671	E.A3.57.45	PIPE, assembly, air, from coupling in inner wing to reducing union in engine bay						1	T.26	C		
1446	EEAS.66/5	RING, clamping, for hose clips ... ..						2	L.72	C		
28F/9439158	AGS.949/D	UNION, body ... ..						1	—	C		
28F/4051724	AGS.949/J	UNION, body ... ..						1	—	C		
28F/9439160	AGS.950/C	UNION, body ... ..						1	—	C		
	VICKERS											
27F/2743	A.5287C	VALVE, non-return, air supply line ... ..						1	—	C		
	E.B7.57.9	PIPES, FUEL DELIVERY, INTEGRAL TANK, ASSEMBLY						—	—	—		
		Spares for:—										
16116	E.A1.20.5399	ADAPTOR, drain (Pre-Mod. 1784) ... ..						1	—	C		
	or											
41888	E.A9.20.47	ADAPTOR, drain ... ..						1	—	C		
	or											
	E.A9.20.2767	ADAPTOR, drain (Mod. 1784) ... ..						1	—	—		
5917	E.A6.75.81	ADAPTOR, nipple, non-return valve to rear fuel cock actuator						1	S.95	C		
24669	E.B6.57.43	BRACKET, support, actuated fuel cock, rear ...						1	L.72	C		
24670	E.B6.57.45	BRACKET, support, actuated fuel cock, front ...						1	L.72	C		
		Attaching parts for E.B6.57.43 and E.B6.57.45:—										
28D/9436920	A25/1C	Bolt, 2 BA ... ..						4	—	C		
28W/9419402	SP.13/C	Washer ... ..						4	—	C		
1255	E.A1.57.259	CLIP, pipe, adjacent to rib 2A ... ..						1	L.72	C		
24673	E.B6.57.51	CLIP, pipe, through rib 2A ... ..						1	L.72	C		
		Attaching parts for E.A1.57.259 and E.B6.57.51:—										
28D/9436920	A25/1C	Bolt, 2 BA ... ..						2	—	C		
28M/1278190	AGS.2001/C/1	Nut, 2 BA ... ..						2	—	C		
28W/9419402	SP.13/C	Washer ... ..						2	—	C		
	E.E. CO. LTD. BRADFORD TYPE 219 MK.1	COCK, FUEL, ACTUATED, ASSEMBLY ... ..						2	—	—		
		Consisting of:—										
5W/328	†	ACTUATOR, type 200 ... ..						1	—	A		
5W/343	†	ADAPTOR, c/w label ... ..						1	—	B		
	SAUNDERS											
27F/2237	E.42.A.10	COCK ... ..						1	—	A		
28M/1278190	AGS.2001/C/1	NUT, 2 BA ... ..						2	—	C		
		Attaching parts for Type 219, Mk. 1:—										
28D/1007972	A25/1C	Bolt, 2 BA ... ..						3	—	C		
28W/9416643	SP.47/C	Washer ... ..						3	—	C		
28F/4051887	AGS.2120/J	NIPPLE ... ..						4	—	C		
28F/9513420	AGS.1142/J	NIPPLE, adaptor ... ..						9	—	C		
28F/8011885	AGS.1142/B	NIPPLE, adaptor ... ..						1	—	C		

**SERVICES  
FUEL SYSTEM IN PORT WING**

Ref. No.	Part No.	Description	No. off	Matl. Spec.	Cl. of Equip.		Plate No.
					M.R.	L.M.	
		1 2 3 4 5 6					
5904	E.B6.57.25	<b>PACKING</b> , fireproof, for fuel pipe through rib 1	1	Bellis Millboard		C	
		Attaching parts for E.B6.57.25:—					
28D/9419452	A25/3B	Bolt, 4 BA	8	—		C	
28M/10287	AGS.2001/B/1	Nut, 4 BA	8	—		C	
5912	E.B6.57.23	Ring, half	2	S.84		C	
5913	E.B6.57.27	Ring, stiffening	1	DTD.124		C	
28W/9419465	SP.13/B	Washer	8	—		C	
5905	E.B6.57.13	<b>PIPE</b> , branch assembly, from actuated fuel cock and non-return valve to tank connection at rib 2	1	T.26		C	
5906	E.B6.57.31	<b>PIPE</b> , assembly, drain integral tank fuel pump at rib 2	1	L.54		C	
12885	E.B6.57.35	<b>PIPE</b> , assembly, from rib 1 to actuated fuel cock connection	1	L.56		C	
12884	E.B6.57.37	<b>PIPE</b> , assembly, from rib 1 to coupling in engine bay	1	T.26		C	
12411	E.B6.57.39	<b>PIPE</b> , branch assembly, from fuel cock and non-return valve to recuperator connection	1	L.54		C	
27576	E.B6.57.149	<b>PIPE</b> , branch assembly, from non-return valve to main and wing tank pipe connections	1	T.26		C	
5910	E.A1.57.703	<b>PIPE</b> , assembly, from non-return valve branch pipe to coupling in engine nacelle	1	T.26		C	
5911	E.A1.57.705	<b>PIPE</b> , assembly, from non-return valve branch pipe to connection at rib 2B	1	L.56		C	
5914	E.A6.57.83	<b>SLEEVE</b> , screwed, 1½" BSP, non-return valve to rear fuel cock actuator	1	DTD.683		C	
	SELF PRIMING ENG. CO. LTD.						
27F/2152	SPE.1706	<b>VALVE</b> , non-return, type P.24A Mk. 2 (Pre-Mod. 2690)	2	—		A	
	or						
	SELF PRIMING ENG. CO. LTD.						
27F/5178	Type P.24AMK3	<b>VALVE</b> , non-return (Mod. 2690)	2	—		A	
28495	EEAS.21/8DRH	<b>WASHER</b> , "D", bonding	QR	L.72		C	
	E.A1.57.245	<b>PIPES, FUEL TRANSFER, RIB 1 IN INNER WING DROP TANK, ASSEMBLY</b>	—	—		—	
		Spares for:—					
1255	E.A1.57.259	<b>CLIP</b> , pipe	5	L.72		C	
	EEAS.77/81	<b>HOSE</b> , rubber, 1¼" i/d x 1½" o/d x 3" long (Make from 32C/377)	2	DTD.625		LM	
2725	E.A1.57.1257	<b>PIPE</b> , fuel, 1½" o/d x 20 SWG	1	L.56		C	
2723	E.A1.57.1259	<b>PIPE</b> , fuel, 1½" o/d x 20 SWG	1	L.56		C	
1446	EEAS.66/5	<b>RING</b> , clamping, for hose clips	4	L.72		C	
	E.A1.57.247	<b>PIPES, FUEL TRANSFER AND AIR IN INNER WING DROP TANK, ASSEMBLY</b>	—	—		—	
		Spares for:—					
17525	EEAS.143/10	<b>CLIP</b> , pipe, single, ½" o/d	4	L.72		C	
1145	E.A1.57.317	<b>CLIP</b> , pipe	2	L.72		C	
	EEAS.77/33	<b>HOSE</b> , rubber, ½" i/d x ¾" o/d x 2" long (Make from 32C/408)	2	DTD.625		LM	
	EEAS.77/81	<b>HOSE</b> , rubber, 1½" i/d x 1½" o/d x 3" long (Make from 32C/377)	1	DTD.625		LM	

**SERVICES  
FUEL SYSTEM IN PORT WING**

Ref. No.	Part No.	Description	No. off	Matl. Spec.	Cl. of Equip.		Place No.
					M.R.	L.M.	
		1 2 3 4 5 6					
1261	E.A6.57.103	PIPE, fuel, 1½" o/d x 20 SWG	1	L.56		C	
1675	E.A6.57.105	PIPE, air, ½" o/d. x 20 SWG	1	L.56		C	
1673	E.A6.57.107	PIPE, air, ½" o/d. x 20 SWG	1	L.56		C	
1446	EEAS.66/5	RING, clamping, for hose clips	2	L.72		C	
	E.A1.57.255	<b>PIPES, FUEL TRANSFER AND AIR IN OUTER WING DROP TANK, ASSEMBLY</b>	—	—		—	
		Spares for:—					
1145	E.A1.57.317	CLIP, pipe	5	L.72		C	
	EEAS.77/33	HOSE, rubber, ½" i/d x ½" o/d x 2" long (Make from 32C/408)	2	DTD.625		LM	
	EEAS.77/81	HOSE, rubber, 1½" i/d x 1½" o/d x 3" long (Make from 32C/377)	1	DTD.625		LM	
1284	E.A6.57.93	PIPE, fuel, 1½" o/d x 20 SWG	1	L.56		C	
1285	E.A6.57.95	PIPE, fuel, 1½" o/d x 20 SWG	1	L.56		C	
1286	E.A6.57.97	PIPE, air, ½" o/d x 20 SWG	1	L.56		C	
1287	E.A6.57.99	PIPE, air, ½" o/d x 20 SWG	1	L.56		C	
1446	EEAS.66/5	RING, clamping, for hose clips	2	L.72		C	
		SELF PRIMING ENG. CO. LTD.					
27F/2152	SPE.1706	VALVE, non-return, type P.24A Mk. 2 (Pre-Mod. 2690)	1	—		A	
27F/5178	† E.B7.57.187	VALVE, non-return, type P.24A Mk. 3 (Mod. 2690)	1	—		A	
		<b>PIPES, RECUPERATOR, AFT OF SPAR, ASSEMBLY</b>	—	—		—	
		Spares for:—					
28F/9703	AGS.1102/A	CONE, union body	1	—		C	
28F/9705	AGS.1102/C	CONE, union body	1	—		C	
28F/11852	AGS.1111/A	CONE, union body, flanged	2	—		C	
		Attaching parts for AGS.1111/A:—					
28D/1008149	A25/2B	Bolt, 4 BA	3	—		C	
28M/9403519	A27/BP	Nut, 4 BA	3	—		C	
28F/11903	AGS.1115/1	Washer, plate	1	—		C	
28W/9416642	SP.47/B	Washer	3	—		C	
28F/9714	AGS.1111/C	CONE, union body, flanged	2	—		C	
		Attaching parts for AGS.1111/C:—					
28D/9133011	A25/2C	Bolt, 2 BA	3	—		C	
28M/9403520	A27/CP	Nut, 2 BA	3	—		C	
28F/11949	AGS.1115/4	Washer, plate	1	—		C	
28W/9416643	SP.47/C	Washer	3	—		C	
	E.B7.57.249	PIPE, assembly, air balance, from connection aft of main spar to connection at outer wing, rib 1	1	L.56		LM	
28585	E.B7.57.251	PIPE, assembly, air balance across engine nacelle from connection at outer wing, rib 1, to connection at inner wing, rib 7	1	L.56		C	
	E.B7.57.253	PIPE, assembly, air balance, from connection at rib 7, to connection between ribs 4 and 5, inner wing	1	L.56		LM	

**SERVICES  
FUEL SYSTEM IN PORT WING**

Ref. No.	Part No.	Description	No. off	Matl Spec.	Cl. of Equip.	Plate No.
					M.R. L.M.	
		1 2 3 4 5 6				
	E.B7.57.255	PIPE, assembly, air balance, from connection between ribs 4 and 5 to fuselage connection	1	L.56	LM	
	E.B7.57.257	PIPE, assembly, fuel bleed line, from connection between ribs 4 and 5 to fuselage connection	1	L.56	LM	
	E.B7.57.259	PIPE, assembly, fuel bleed line, from connection aft of main spar to connection at outer wing rib 1	1	L.56	LM	
	E.B7.57.261	PIPE, assembly, fuel bleed line, across engine nacelle, from connection at outer wing rib 1, to connection at inner wing rib 7	1	L.56	LM	
	E.B7.57.263	PIPE, assembly, fuel bleed line, from connection at rib 7, to connection between ribs 4 and 5, inner wing	1	L.56	LM	
12888	EEAS.21/8CR	WASHER, "D", pipe clips ... ..	17	L.72	C	
12889	EEAS.21/8CRH	WASHER, "D", bonding ... ..	QR	L.72	C	
	E.B7.57.97	RECUPERATOR, FUEL, OUTER WING, INSTALLATION Spares for:—	—	—	—	
41888	E.A9.20.47 or E.A9.20.2767	ADAPTOR, drain ... ..	1	—	MR	
24667	E.B7.57.41	ADAPTOR, drain ... .. BRACKET, recuperator mounting ... .. Attaching parts for E.B7.57.41:—	1	—	C	
28D/1010030	A25/7C	Bolt, 2 BA ... ..	4	—	C	
	AS.2809/4/05	Piece, distance, 1/4" o/d. x 1/2" long ... ..	4	L.62	LM	
28W/9419402	SP.13/C	Washer ... ..	4	—	C	
28F/9140973	AGS.1129/C	CONE, banjo, body ... .. Attaching parts for AGS.1129/C:—	1	—	C	
28F/9140977	AGS.1213/C	Bolt, banjo ... ..	1	—	C	
28F/9429532	AGS.1186/C	Seal, bonded ... ..	2	—	C	
28F/9489323	AGS.1120/10	CONE, tee ... ..	1	—	C	
28F/9129085	AGS.1102/A	CONE, union, body ... ..	1	—	C	
28F/9471001	AGS.1102/C	CONE, union, body ... ..	1	—	C	
28F/1013401	AGS.1107/A	CONE, union, reducing ... ..	2	—	C	
28F/9710	AGS.1107/E	CONE, union, reducing ... ..	1	—	C	
28F/1013599	AGS.1142/A	NIPPLE, adaptor ... ..	1	—	C	
28F/8011885	AGS.1142/B	NIPPLE, adaptor ... ..	2	—	C	
28F/8011896	AGS.1142/C	NIPPLE, adaptor ... ..	5	—	C	
28F/8011886	AGS.1142/D	NIPPLE, adaptor ... ..	1	—	C	
12398	E.B7.57.103	PIPE, assembly, from reducing union to tee piece, in air line	1	L.56	C	
12399	E.B7.57.105	PIPE, assembly, from recuperator non-return bleed valve to reducing union connection	1	L.56	C	
12400	E.B7.57.107	PIPE, assembly, from reducing union connection, to coupling aft of main spar, fuel bleed line	1	L.56	C	
12401	E.B7.57.109	PIPE, assembly, drain, from recuperator to reducing union connection	1	L.56	C	

**SERVICES  
FUEL SYSTEM IN PORT WING**

Ref. No.	Part No.	Description						No. off	Matl Spec.	Cl. of Equip. M.R. L.M.	Plate No.
		1	2	3	4	5	6				
12402	E.B7.57.113	PIPE, assembly, air balance, from recuperator air inlet, to reducing tee						1	L.56	C	
12403	E.B7.57.115	PIPE, assembly, air balance from reducing tee, to connection at main spar						1	L.56	C	
12404	E.B7.57.117	PIPE, assembly, air supply, from banjo fitting on rib 1, to non-return valve in recuperator air supply line						1	L.56	C	
12405	E.B7.57.119	PIPE, assembly, air supply, from reducing valve to recuperator air inlet						1	L.56	C	
26644	E.B7.57.151	PIPE, assembly, drain, from reducing union to outlet adaptor						1	L.56	C	
12406	E.B7.57.167	PIPE, assembly, air balance, from reducing valve to reducing union						1	L.56	C	
12407	E.B7.57.277	PIPE, assembly, recuperator air supply from non-return valve to reducing valve						1	L.56	C	
	SELF PRIMING ENG. CO. LTD.										
27F/2868	PRC.40, Mk. 3	RECUPERATOR (E.B7.57.87) (Pre-Mod. 4714) ...						1	—	A	
27F/7866	PRC.40, Mk. 4	RECUPERATOR (E.B7.57.87) (Mod. 4714) ...						1	—	A	
28F/9707349	AGS.1114/C	SLEEVE, screwed, flanged ...						1	—	C	
		Attaching parts for AGS.1114/C:—									
28D/9133011	A25/2C	Bolt, 2 BA ...						3	—	C	
28M/9403520	A27/CP	Nut, 2 BA ...						3	—	C	
28F/4051652	AGS.1115/5	Washer, plate ...						1	—	C	
28W/9416643	SP.47/C	Washer ...						3	—	C	
12408	E.B7.57.77	STRAP, RECUPERATOR MOUNTING, ASSEMBLY						1	—	C	
		Spares for:—									
28U/14094	A5.2381	ROD, tension, 1/4" BSF ...						1	—	C	
12409	E.B7.57.57	TRUNNION, L.H. ...						1	S.95	C	
12410	E.B7.57.63	TRUNNION, R.H. ...						1	S.95	C	
38736	E.B7.57.123	TAB, locking, wire (Made from Ref. 980) ...						1	L.72	C	
	SAUNDERS VALVE CO. LTD										
27F/2853	703 A.A.04	VALVE, non-return, 1/2" ...						1	—	A	
	or VICKERS ARMSTRONG LTD.										
27F/	A.5494, Mk. C	VALVE, non-return, 1/2" ...						1	—	—	
	HYMATIC ENG. CO. LTD.										
27VB/5119	C.51690	VALVE, reducing, type P.S.29/16 (E.B7.57.183) ...						1	—	A	
		Attaching parts for C.51690:—									
28M/1278189	AGS.2001/B/1	Nut, 4 BA ...						4	—	C	
18852	EEAS.21/2DR	WASHER, "D", pipe clips ...						3	L.72	C	
	EEAS.21/8DR	WASHER, "D", pipe clips ...						10	L.72	—	
28495	EEAS.21/8DRH	WASHER, "D", bonding ...						QR	L.72	C	

**SERVICES**  
**FUEL SYSTEM IN PORT INNER WING**

Ref. No.	Part No.	Description						No. off	Matl. Spec.	Cl. of Equip.		Plate No.
		1	2	3	4	5	6			M.R.	L.M.	
	E.B6.57.71	<b>FUEL DELIVERY SYSTEM, INNER WING, PORT, ASSEMBLY</b>						—	—	—		
		Spares for:—										
1255	E.A1.57.259	CLIP, pipe, at ribs 1, 2 and 3... .. .						3	L.72	C		
		Attaching parts for E.A1.57.259:—										
28D/9133011	A25/2C	Bolt, 2 BA ... .. .						2	—	C		
28M/10288	AGS.2001/C/1	Nut, 2 BA ... .. .						2	—	C		
28W/9419402	SP.13/C	Washer ... .. .						2	—	C		
6879	EEAS.143/28H	CLIP, bonding ... .. .						2	—	C		
		Attaching parts for EEAS.43/28H:—										
28D/9133011	A25/2C	Bolt, 2 BA ... .. .						1	—	C		
28M/10288	AGS.2001/C/1	Nut, 2 BA ... .. .						1	—	C		
5259	EEAS.21/2ERH	Washer ... .. .						2	L.72	C		
28W/9419402	SP.13/C	Washer ... .. .						1	—	C		
1295	E.A1.57.173	ELBOW, connection, on engine rib ... .. .						1	DTD.304A	C		
		Attaching parts for E.A1.57.173:—										
28D/9133012	A25/3C	Bolt, 2 BA ... .. .						4	—	C		
28M/10288	AGS.2001/C/1	Nut, 2 BA ... .. .						4	—	C		
28W/9419402	SP.13/C	Washer ... .. .						4	—	C		
	EEAS.77/82	HOSE, connecting, 1½" i/d. x 1½" o/d. x 5½" long ... .. . (Make from 32C/377)						2	DTD.625	LM		
28F/8216	AGS.1142/J	NIPPLE, adaptor ... .. .						2	—	C		
6881	E.B6.57.67	PIPE, assembly, fuel, from fuselage connection to hose joint at rib 1						1	L.56	C		
6880	E.B6.57.77	PIPE, fuel continuation between hose joints, 1½" o/d. x 20 SWG						1	L.56	C		
5684	E.B7.57.131	PIPE, assembly, fuel, from hose joint between ribs 2 and 3 to engine rib elbow connection						1	L.56	C		
28R/9719126	AGS.566B	PLUG ... .. .						1	—	C		
1446	EEAS.66/5	RING, clamping, for hose clips ... .. .						8	L.72	C		
1304	E.A1.57.209	SUPPORT, fuel pipe, on diaphragm at rib 1 ... .. .						2	Bells Millboard	C		
		Attaching parts for E.A1.57.209:—										
28D/9419452	A25/3B	Bolt, 4 BA ... .. .						6	—	C		
28M/10287	AGS.2001/B/1	Nut, 4 BA ... .. .						6	—	C		
6384	E.A1.57.199	Plate, connecting ... .. .						2	L.72	C		
28W/9419465	SP.13/B	Washer ... .. .						2	—	C		
28W/9130226	AGS.164/F	WASHER, fibre ... .. .						1	—	C		

**SERVICES**  
**FUEL SYSTEM IN PORT WING TIP**

Ref. No.	Part No.	Description						No. off	Matl Spec.	Cl. of Equip. M.R. L.M.	Plate No.
		1	2	3	4	5	6				
	E.A1.57.257	<b>PIPES FUEL AND AIR, DELIVERY, ASSEMBLY</b> ...						—	—	—	
		Spares for:—									
1145	E.A1.57.317	<b>CLIP</b> , pipe ... ..						1	L.72	C	
1399	E.A1.57.343	<b>CLIP</b> , pipe ... ..						1	L.72	C	
1400	E.A1.57.345	<b>CLIP</b> , pipe ... ..						1	L.72	C	
1401	E.A1.57.265	<b>ELBOW</b> , fuel pipe ... ..						1	DTD.625	C	
2112	E.A1.57.1243	<b>ELBOW</b> , air pipe ... ..						1	DTD.625	C	
	EEAS.77/33	<b>HOSE</b> , rubber, ½" i/d x ¾" o/d x 2" long (make from 32C/1275034)						2	BSF.67 Type 1	LM	
	EEAS.77/81	<b>HOSE</b> , rubber, 1½" i/d x 1½" o/d x 3" long (make from 32C/1275041)						2	BSF.67 Type 1	LM	
1403	E.A1.57.257A	<b>PIPE</b> , fuel delivery, from drop tank to wing tip joint						1	L.56	C	
1404	E.A1.57.257B	<b>PIPE</b> , fuel delivery, from wing tip joint to main-plane						1	L.56	C	
1405	E.A1.57.257C	<b>PIPE</b> , air delivery, from drop tank to wing tip joint						1	L.56	C	
1406	E.A1.57.257D	<b>PIPE</b> , air delivery, from wing tip joint to main-plane						1	L.56	C	
1446	EEAS.66/5	<b>RING</b> , clamping, for pipe clips, 1½" i/d ... ..						6	L.72	C	
2170	E.A1.57.1245	<b>RING</b> , clamping, for pipe clips, ¾" i/d ... ..						2	L.72	C	

Ref. No.	Part No.	1 2 3 4 5 6						No. off	Matl Spec.	Cl. of Equip.		Plate No.
		M.R.		L.M.								

**SERVICES**  
**FUEL SYSTEM IN STARBOARD WING**

Ref. No.	Part No.	Description	No. off	Matl Spec.	Cl. of Equip.	Plate No.
					M.R. L.M.	
	E.B6.57.18	<b>FUEL SYSTEM IN STARBOARD WING, ASSEMBLY ...</b>	—	—	—	
	E.B7.57.22	Spares for:— <b>PIPES, AIR, IN ENGINE NACELLE, ASSEMBLY ...</b>	—	—	—	
		Spares for:—				
28F/4051696	AGS.1130/C	<b>BODY</b> , banjo, double ... ..	1	—	C	
28F/9140977	AGS.1213/C	Attaching parts for AGS.1130/C:—	1	—	C	
28F/9429532	AGS.1186/C	Bolt, banjo ... ..	2	—	C	
	LOCKHEED					
27M/695	MPA.30068/4	<b>FILTER, PUROLATOR, ASSEMBLY ... ..</b>	1	—	B	
		Spares for:—				
27M/9671	MPA.30110	<b>ELEMENT</b> , complete ... ..	1	—	C	
27M/9672	MPA.29540	<b>GASKET</b> ... ..	2	—	C	
28F/8011896	AGS.1142/C	<b>NIPPLE</b> , adaptor ... ..	5	—	C	
17727	E.A3.57.472	<b>PIPE</b> , assembly, from restrictor connection to non-return valve connection	1	T.26	C	
5925	E.B6.57.56	<b>PIPE</b> , assembly, from flexible hose joint to purolator connection	1	T.26	C	
12893	E.B7.57.212	<b>PIPE</b> , assembly, from purolator to fuel recuperator banjo connection	1	T.26	C	
12894	E.B7.57.214	<b>PIPE</b> , assembly, from recuperator banjo connection to restrictor connection	1	T.26	C	
1291	E.A1.57.351	<b>RESTRICTOR</b> , drop tank air system ... ..	1	DTD.683	C	
1292	E.A1.57.859	<b>WASHER</b> , sealing ... ..	1	BSF.2572	C	
	E.A6.57.52	<b>PIPES, FUEL AND AIR, IN ENGINE NACELLE, ASSEMBLY</b>	—	—	—	
		Spares for:—				
1255	E.A1.57.259	<b>CLIP</b> , pipe ... ..	3	L.72	C	
		Attaching parts for E.A1.57.259:—				
28D/9436920	A25/1C	Bolt, 2 BA ... ..	2	—	C	
28M/1278190	AGS.2001/C/1	Nut, 2 BA ... ..	2	—	C	
28W/9419475	SP.15/C	Washer ... ..	2	—	C	
6383	E.A3.57.417	<b>CLIP</b> , pipe ... ..	1	L.72	C	
7136	EEAS.143/21	<b>CLIP</b> , pipe, 1/2" o/d. ... ..	3	L.16	C	
		Attaching parts for EEAS.143/21:—				
28D/9436920	A25/1C	Bolt, 2 BA (As required) ... ..	1	—	C	
28D/1011019	A25/8C	Bolt, 2 BA (As required) ... ..	1	—	C	
28M/1278190	AGS.2001/C/1	Nut, 2 BA ... ..	1	—	C	
	AS.2811/5/065	Piece, distance (As required) ... ..	1	L.62	LM	
	EEAS.77/81	<b>HOSE</b> , rubber, 1 1/2" i/d. x 1 1/2" o/d. x 3" long ... (make from 32C/1275041)	1	BSF.67 Type 1	LM	
28F/8011896	AGS.1142/C	<b>NIPPLE</b> , adaptor ... ..	2	—	C	
28F/8011886	AGS.1142/D	<b>NIPPLE</b> , adaptor ... ..	3	—	C	
28F/8513420	AGS.1142/J	<b>NIPPLE</b> , adaptor ... ..	1	—	C	
1670	E.A3.57.36	<b>PIPE</b> , assembly, air, from non-return valve to reducing union	1	T.26	C	
1662	E.A3.57.38	<b>PIPE</b> , assembly, fuel, from coupling in inner wing to coupling in engine nacelle	1	T.26	C	
1666	E.A3.57.42	<b>PIPE</b> , assembly, air, from coupling in inner wing to coupling union in engine nacelle	1	T.26	C	

**SERVICES  
FUEL SYSTEM IN STARBOARD WING**

Ref. No.	Part No.	Description						No. off	Matl Spec.	Cl. of Equip. M.R. L.M.	Plate No.
		1	2	3	4	5	6				
1668	E.A3.57.44	PIPE, assembly, air, from coupling union in engine nacelle to coupling in outer wing						1	T.26	C	
1672	E.A3.57.46	PIPE, assembly, air, from coupling in inner wing to reducing union in engine bay						1	T.26	C	
1446	EEAS.66/5	RING, clamping, for hose clips ... ..						2	L.72	C	
28F/9439158	AGS.949/D	UNION, body ... ..						1	—	C	
28F/4051724	AGS.949/J	UNION, body ... ..						1	—	C	
28F/9439160	AGS.950/C	UNION, body ... ..						1	—	C	
	VICKERS										
27F/2743	A.5287C	VALVE, non-return, air supply line ... ..						1	—	C	
	E.B7.57.10	PIPES, FUEL DELIVERY, INTEGRAL TANK, ASSEMBLY						—	—	—	
		Spares for:—									
16116	E.A1.20.5399	ADAPTOR, drain (Pre-Mod. 1784) ... ..						1	—	C	
	or										
41888	E.A9.20.47	ADAPTOR, drain ... ..						1	—	C	
	or										
	E.A9.20.2767	ADAPTOR, drain (Mod. 1784) ... ..						1	—	—	
5917	E.A6.57.81	ADAPTOR, nipple, non-return valve to rear fuel cock actuator						1	S.95	C	
24671	E.B6.57.47	BRACKET, support, actuated fuel cock, front ...						1	L.72	C	
24672	E.B6.57.49	BRACKET, support, actuated fuel cock, rear ...						1	L.72	C	
		Attaching parts for E.B6.57.47 and E.B6.57.49:—									
28D/9436920	A25/1C	Bolt, 2 BA ... ..						4	—	C	
28W/9419402	SP.13/C	Washer ... ..						4	—	C	
1255	E.A1.57.259	CLIP, pipe, adjacent to rib 2A ... ..						1	L.72	C	
24674	E.B6.57.52	CLIP, pipe, through rib 2A ... ..						1	L.72	C	
		Attaching parts for E.A1.57.259 and E.B6.57.52:—									
28D/9436920	A25/1C	Bolt, 2 BA ... ..						2	—	C	
28M/1278190	AGS.2001/C/1	Nut, 2 BA ... ..						2	—	C	
28W/9419402	SP.13/C	Washer ... ..						2	—	C	
	E.E. CO. LTD. BRADFORD TYPE 219 Mk.1	COCK, FUEL, ACTUATED, ASSEMBLY ... ..						2	—	—	
		Consisting of:—									
5W/328		ACTUATOR, type 200 ... ..						1	—	A	
5W/343		ADAPTOR, c/w label ... ..						1	—	B	
	SAUNDERS										
27F/2237	E.42.A.10	COCK ... ..						1	—	A	
28M/1278190	AGS.2001/C/1	NUT, 2 BA ... ..						2	—	C	
		Attaching parts for Type 219, Mk. 1:—									
28D/1007972	A25/1C	Bolt, 2 BA ... ..						3	—	C	
28W/9416643	SP.47/C	Washer ... ..						3	—	C	
28F/4051887	AGS.2120/J	NIPPLE ... ..						4	—	C	
28F/9513420	AGS.1142/J	NIPPLE, adaptor ... ..						9	—	C	
28F/8011885	AGS.1142/B	NIPPLE, adaptor ... ..						1	—	C	

**SERVICES  
FUEL SYSTEM IN STARBOARD WING**

Ref. No.	Part No.	Description	No. off	Matl. Spec.	Cl. of Equip.		Plate No.
					M.R.	L.M.	
		1 2 3 4 5 6					
5904	E.B6.57.25	<b>PACKING</b> , fireproof, for fuel pipe through rib 1	1	Bells Millboard		C	
28D/9419452	A25/3B	Attaching parts for E.B6.57.25:— Bolt, 4 BA	8	—		C	
28M/10287	AGS.2001/B/1	Nut, 4 BA	8	—		C	
5912	E.B6.57.23	Ring, half	2	S.84		C	
5913	E.B6.57.27	Ring, Stiffening	1	DTD.124		C	
28W/9419465	SP.13/B	Washer	8	—		C	
5918	E.B6.57.14	<b>PIPE</b> , branch assembly, from actuated fuel cock connection and non-return valve to tank connection, at rib 2	1	T.26		C	
5924	E.B6.57.33	<b>PIPE</b> , assembly, drain, integral tank fuel pump at rib 2	1	L.54		C	
12892	E.B6.57.36	<b>PIPE</b> , assembly, from rib 1 to actuated fuel cock connection	1	L.56		C	
12891	E.B6.57.38	<b>PIPE</b> , assembly, from rib 1 to coupling in engine bay	1	T.26		C	
12422	E.B6.57.41	<b>PIPE</b> , branch assembly, from fuel cock and non-return valve to recuperator connection	1	L.54		C	
27577	E.B6.57.150	<b>PIPE</b> , branch assembly, from non-return valve to main and wing tank pipe connections	1	T.26		C	
5922	E.A1.57.704	<b>PIPE</b> , assembly, from non-return valve branch pipe to coupling in engine nacelle	1	T.26		C	
5911	E.A1.57.705	<b>PIPE</b> , assembly, from non-return valve branch pipe to connection at rib 2B	1	L.56		C	
5914	E.A6.57.83	<b>SLEEVE</b> , screwed, 1¼" BSP, non-return valve to rear fuel cock actuator	1	DTD.683		C	
27F/2152	SELF PRIMING ENG. CO. LTD. SPE.1706	<b>VALVE</b> , non-return, type P.24A Mk. 2 (Pre-Mod. 2690)	2	—		A	
27F/5178	SELF PRIMING ENG. CO. LTD. Type P24A Mk.3	<b>VALVE</b> , non-return (Mod. 2690)	2	—		A	
28495	EEAS.21/8DRH E.A1.57.246	<b>WASHER</b> , "D" bonding	QR	L.72		C	
		<b>PIPES, FUEL TRANSFER, RIB 1, INNER WING DROP TANK</b> Spares for:—	—	—		—	
1255	E.A1.57.259 EEAS.77/81	<b>CLIP</b> , pipe	5	L.72		C	
		<b>HOSE</b> , rubber, 1¼" i/d. x 1½" o/d x 3" long (Make from 32C/377)	2	DTD.625		LM	
2724	E.A1.57.1258	<b>PIPE</b> , fuel, 1½" o/d x 20 SWG	1	L.56		C	
2722	E.A1.57.1260	<b>PIPE</b> , fuel, 1½" o/d x 20 SWG	1	L.56		C	
1446	EEAS.66/5 E.A1.57.248	<b>RING</b> , clamping, for hose clips	4	L.72		C	
		<b>PIPES, FUEL TRANSFER AND AIR, IN INNER WING DROP TANK, ASSEMBLY</b> Spares for:—	—	—		—	
17525	EEAS.143/10	<b>CLIP</b> , pipe, single, ½" o/d	4	L.72		C	
1145	E.A1.57.317 EEAS.77/33	<b>CLIP</b> , pipe	2	L.72		C	
		<b>HOSE</b> , rubber, ½" i/d x ¾" o/d x 2" long (Make from 32C/408)	2	DTD.625		LM	
	EEAS.77/81	<b>HOSE</b> , rubber, 1¼" i/d x 1½" o/d x 3" long (Make from 32C/377)	1	DTD.625		LM	
1263	E.A6.57.104	<b>PIPE</b> , fuel, 1½" o/d x 20 SWG	1	L.56		C	

**SERVICES**  
**FUEL SYSTEM IN STARBOARD WING**

Ref. No.	Part No.	Description	No. off	Matl. Spec.	Cl. of Equip.		Plate No.
					M.R.	L.M.	
		1 2 3 4 5 6					
1676	E.A6.57.106	PIPE, air, 1/2" o/d x 20 SWG	1	L.56	C		
1674	E.A6.57.108	PIPE, air, 1/2" o/d x 20 SWG	1	L.56	C		
1446	EEAS.66/5	RING, clamping, for hose clips	2	L.72	C		
	E.A1.57.256	<b>PIPES, FUEL TRANSFER AND AIR, IN OUTER WING DROP TANK, ASSEMBLY</b>	—	—	—		
		Spares for:—					
1145	E.A1.57.317	CLIP, pipe	5	L.72	C		
	EEAS.77/33	HOSE, rubber, 1/2" i/d x 1/2" o/d x 2" long (Make from 32C/408)	2	DTD.625	LM		
	EEAS.77/81	HOSE, rubber, 1 1/4" i/d x 1 3/8" o/d x 3" long (Make from 32C/377)	1	DTD.625	LM		
1284	E.A6.57.93	PIPE, fuel, 1 1/4" o/d x 20 SWG	1	L.56	C		
1285	E.A6.57.95	PIPE, fuel, 1 1/4" o/d x 20 SWG	1	L.56	C		
1286	E.A6.57.97	PIPE, air, 1/2" o/d x 20 SWG	1	L.56	C		
1702	E.A6.57.100	PIPE, air, 1/2" o/d x 20 SWG	1	L.56	C		
1446	EEAS.66/5	RING, clamping, for hose clips	2	L.72	C		
	SELF PRIMING ENG. CO. LTD.						
27F/2152	SPE.1706	VALVE, non-return, type P.24A Mk. 2 (Pre-Mod. 2690)	1	—	A		
27F/5178	† E.B7.57.188	VALVE, non-return, type P.24A Mk. 3 (Mod. 2690)	1	—	A		
		<b>PIPES, RECUPERATOR, AFT OF SPAR, ASSEMBLY</b>	—	—	—		
		Spares for:—					
28F/9703	AGS.1102/A	CONE, union body	1	—	C		
28F/9705	AGS.1102/C	CONE, union body	1	—	C		
28F/11852	AGS.1111/A	CONE, union body, flanged	2	—	C		
		Attaching parts for AGS.1111/A:—					
28D/1008149	A25/2B	Bolt, 4 BA	3	—	C		
28M/9403519	A27/BP	Nut, 4 BA	3	—	C		
28F/11903	AGS.1115/1	Washer, plate	1	—	C		
28V/9416642	SP.47/B	Washer	3	—	C		
28F/9714	AGS.1111/C	CONE, union body, flanged	2	—	C		
		Attaching parts for AGS.1111/C:—					
28D/9133011	A25/2C	Bolt, 2 BA	3	—	C		
28M/9403520	A27/CP	Nut, 2 BA	3	—	C		
28F/11949	AGS.1115/4	Washer, plate	1	—	C		
28V/9416643	SP.47/C	Washer	3	—	C		
	E.B7.57.250	PIPE, assembly, air balance from connection aft of main spar to connection at outer wing, rib 1	1	L.56	LM		
31534	E.B7.57.252	PIPE, assembly, air balance, across engine nacelle from connection at outer wing, rib 1, to connection at inner wing, rib 7	1	L.56	C		
	E.B7.57.254	PIPE, assembly, air balance from connection at rib 7, to connection between ribs 4 and 5, inner wing	1	L.56	—		

**SERVICES**  
**FUEL SYSTEM IN STARBOARD WING**

Ref. No.	Part No.	Description						No. off	Mati Spec.	Cl. of Equip. M.R. L.M.	Plate No.
		1	2	3	4	5	6				
	E.B7.57.256	PIPE, assembly, air balance, from connection between ribs 4 and 5 to fuselage connection						1	L.56	LM	
38738	E.B7.57.258	PIPE, assembly, fuel bleed line, from connection between ribs 4 and 5 to fuselage connection						1	L.56	C	
	E.B7.57.260	PIPE, assembly, fuel bleed line, from connection aft of main spar to connection at outer wing rib 1						1	L.56	LM	
	E.B7.57.262	PIPE, assembly, fuel bleed line, across engine nacelle, from connection at outer wing rib 1, to connection at inner wing rib 7						1	L.56	LM	
	E.B7.57.264	PIPE, assembly, fuel bleed line, from connection at rib 7, to connection between ribs 4 and 5, inner wing						1	L.56	LM	
12888	EEAS.21/8CR	WASHER, "D", pipe clips ... ..						17	L.72	C	
12889	EEAS.21/8CRH	WASHER, "D", bonding ... ..						QR	L.72	C	
	E.B7.57.98	<b>RECUPERATOR, FUEL, OUTER WING, INSTALLATION</b> Spares for:—						—	—	—	
41888	E.A9.20.47 or E.A9.20.2767	ADAPTOR, drain ... ..						1	—	C	
24668	E.B7.57.42	ADAPTOR, drain ... ..						1	—	—	
		BRACKET, recuperator mounting ... ..						1	—	C	
		Attaching parts for E.B7.57.42:—									
28D/1010030	A25/7C	Bolt, 2 BA ... ..						4	—	C	
	AS.2809/4/05	Piece, distance, 1/2" o/d. x 1/2" long ... ..						4	L.72	LM	
28W/9419402	SP.13/C	Washer ... ..						4	—	C	
28F/9140973	AGS.1129/C	CONE, banjo, body ... ..						1	—	C	
		Attaching parts for AGS.1129/C:—									
28F/9140977	AGS.1213/C	Bolt, banjo ... ..						1	—	C	
28F/9429532	AGS.1186/C	Seal, bonded ... ..						2	—	C	
28F/9489323	AGS.1120/10	CONE, tee ... ..						1	—	C	
28F/9129085	AGS.1102/A	CONE, union, body ... ..						1	—	C	
28F/9471001	AGS.1102/C	CONE, union, body ... ..						1	—	C	
28F/1013401	AGS.1107/A	CONE, union, reducing ... ..						2	—	C	
28F/9710	AGS.1107/E	CONE, union, reducing ... ..						1	—	C	
28F/1013599	AGS.1142/A	NIPPLE, adaptor ... ..						1	—	C	
28F/8011895	AGS.1142/B	NIPPLE, adaptor ... ..						2	—	C	
28F/8011896	AGS.1142/C	NIPPLE, adaptor ... ..						5	—	C	
28F/8011886	AGS.1142/D	NIPPLE, adaptor ... ..						1	—	C	
12412	E.B7.57.104	PIPE, assembly, from reducing union to tee piece, in air line						1	—	C	
12413	E.B7.57.106	PIPE, assembly, from recuperator non-return bleed valve to reducing union connection						1	L.56	C	
12414	E.B7.57.108	PIPE, assembly, from reducing union connection, to coupling aft of main spar, fuel bleed line						1	L.56	C	
12415	E.B7.57.110	PIPE, assembly, drain, from recuperator to reducing union connection						1	L.56	C	

**SERVICES  
FUEL SYSTEM IN STARBOARD WING**

Ref. No.	Part No.	Description						No. off	Matl Spec.	Cl. of Equip. M.R. L.M.	Plate No.
		1	2	3	4	5	6				
12416	E.B7.57.114	PIPE, assembly, air balance, from recuperator air inlet, to reducing tee, connection						1	L.56	C	
12417	E.B7.57.116	PIPE, assembly, air balance from reducing tee, to connection at main spar						1	L.56	C	
12418	E.B7.57.118	PIPE, assembly, air supply, from banjo fitting on rib 1, to non-return valve in recuperator air supply line						1	L.56	C	
12419	E.B7.57.120	PIPE, assembly, air supply, from reducing valve to recuperator air inlet						1	L.56	C	
26645	E.B7.57.152	PIPE, assembly, drain, from reducing union to outlet adaptor						1	L.56	C	
12420	E.B7.57.168	PIPE, assembly, air balance, from reducing valve to reducing union						1	L.56	C	
12421	E.B7.57.278	PIPE, assembly, recuperator air supply from non-return valve to reducing valve						1	L.56	C	
	SELF PRIMING ENG. CO. LTD.										
27F/2868	PRC.40, Mk. 3	RECUPERATOR (E.B7.57.87) (Pre-Mod. 4714) ...						1	—	A	
27F/7866	PRC.40, Mk. 4	RECUPERATOR (E.B7.57.87) (Mod. 4714) ...						1	—	A	
28F/9707349	AGS.1114/C	SLEEVE, screwed, flanged ... ..						1	—	C	
		Attaching parts for AGS.1114/C:—									
28D/9133011	A25/2C	Bolt, 2 BA ... ..						3	—	C	
28M/9403520	A27/CP	Nut, 2 BA ... ..						3	—	C	
28F/4051652	AGS.1115/5	Washer, plate ... ..						1	—	C	
28W/9416643	SP.47/C	Washer ... ..						3	—	C	
12408	E.B7.57.77	STRAP, RECUPERATOR MOUNTING, ASSEMBLY						1	—	C	
		Spares for:—									
28U/14094	AS.2381	ROD, tension, 1/4" BSF ... ..						1	—	C	
12409	E.B7.57.57	TRUNNION, L.H. ... ..						1	S.95	C	
12410	E.B7.57.63	TRUNNION, R.H. ... ..						1	S.95	C	
38736	E.B7.57.123	TAB, locking, wire (Made from Ref. 980) ...						1	L.72	C	
	SAUNDERS VALVE CO. LTD.										
27F/2853	703 A.A.04	VALVE, non-return, 1/2" ... ..						1	—	A	
	or VICKERS ARMSTRONG LTD. A.5494, Mk. C HYMATIC ENG. CO. LTD.										
27VB/5119	C.51690	VALVE, reducing, type P.S.29/16 (E.B7.57.183) ...						1	—	A	
		Attaching parts for C.51690:—									
28M/1278189	AGS.2001/B/1	Nut, 4 BA ... ..						4	—	C	
18852	EEAS.21/2DR	WASHER, "D", pipe clips ... ..						3	L.72	C	
38742	EEAS.21/8DR	WASHER, "D", pipe clips ... ..						10	L.72	C	
28495	EEAS.21/8DRH	WASHER, "D", bonding ... ..						QR	L.72	C	

**SERVICES**  
**FUEL SYSTEM IN STARBOARD INNER WING**

Ref. No.	Part No.	Description	No. off	Matl. Spec.	Cl. of Equip.		Plate No.
					M.R.	L.M.	
		1 2 3 4 5 6					
	E.B6.57.151	<b>FUEL DELIVERY SYSTEM, INNER WING, STARBOARD, ASSEMBLY</b>	—	—	—		
		Spares for:—					
	1293 E.A1.57.183	CLIP, half, base, fuel pipe ... ..	2	L.59	C		
	1294 E.A1.57.185	CLIP, half, top, retaining ... ..	2	L.72	C		
		Attaching parts for E.A1.57.183 and E.A1.57.185:—					
28D/9436920	A25/1C	Bolt, 2 BA ... ..	2	—	C		
28M/10288	AGS.2001/C/1	Nut, 2 BA ... ..	2	—	C		
28W/9419402	SP.13/C	Washer ... ..	2	—	C		
	6879 EEAS.143/28H	CLIP, bonding ... ..	3	—	C		
		Attaching parts for EEAS.143/28H:—					
28D/9436920	A25/1C	Bolt, 2 BA ... ..	1	—	C		
28M/10288	AGS.2001/C/1	Nut, 2 BA ... ..	1	—	C		
	5259 EEAS.21/2ERH	Washer ... ..	2	L.72	C		
	1296 E.A1.57.174	ELBOW, connection, on engine rib ... ..	1	DTD.304A	C		
		Attaching parts for E.A1.57.174:—					
28D/12531	A25/3C	Bolt, 2 BA ... ..	4	—	C		
28M/10288	AGS.2001/C/1	Nut, 2 BA ... ..	4	—	C		
	980 EEAS.20/1DR	Tab, locking ... ..	4	L.72	C		
	EEAS.164/20/53	HOSE, connecting, 1½" i/d x 1½" o/d x 5½" long ... (make from 32C/377)	2	DTD.625	LM		
28F/8216	AGS.1142/J	NIPPLE, adaptor ... ..	2	—	C		
	1301 E.A1.57.556	PIPE, assembly, fuel, from fuselage connection to hose joint at rib 1	1	L.54	C		
	13205 E.A9.57.19	PIPE, assembly, fuel, from hose joint between ribs 2 and 3 to engine rib elbow connection	1	L.56	C		
	13206 E.A9.57.21	PIPE, fuel, continuation between hose joints, 1½" o/d x 20 SWG	1	L.56	C		
28R/6341	AGS.566/B	PLUG ... ..	1	—	C		
	1446 EEAS.66/5	RING, clamping, for hose clips ... ..	8	L.72	C		
	1304 E.A1.57.209	SUPPORT, fuel pipe, on diaphragm and rib 1 ...	4	Bells Millboard	C		
		Attaching parts for E.A1.57.209:—					
28D/9419452	A25/3B	Bolt, 4 BA ... ..	6	—	C		
28M/10287	AGS.2001/B/1	Nut, 4 BA ... ..	6	—	C		
	6384 E.A1.57.199	Plate, connecting ... ..	2	L.72	C		
28W/9419465	SP.13/B	Washer ... ..	8	—	C		
	28W/6701	WASHER, fibre ... ..	1	—	C		

**SERVICES  
FUEL SYSTEM IN STARBOARD WING TIP**

Ref. No.	Part No.	1	2	3	4	5	6	Description	No. off	Matl Spec.	Cl. of Equip.	Plate No.
											M.R.	
	E.A1.57.258							PIPES, FUEL AND AIR, DELIVERY, ASSEMBLY ...	—	—	—	
								Spares for:—				
1145	E.A1.57.317							CLIP, pipe ... ..	1	L.72	C	
1399	E.A1.57.343							CLIP, pipe ... ..	1	L.72	C	
1400	E.A1.57.345							CLIP, pipe ... ..	1	L.72	C	
1401	E.A1.57.265							ELBOW, fuel pipe ... ..	1	DTD.625	C	
2112	E.A1.57.1243							ELBOW, air pipe ... ..	1	DTD.625	C	
	EEAS.77/33							HOSE, rubber, 1/4" i/d x 3/4" o/d x 2" long (make from 32C/1275034)	2	BSF.67 Type 1	LM	
	EEAS.77/81							HOSE, rubber, 1/4" i/d x 1 1/8" o/d x 3" long (make from 32C/1275041)	2	BSF.67 Type 1	LM	
1407	E.A1.57.258A							PIPE, fuel delivery, from drop tank to wing tip joint	1	L.56	C	
1404	E.A1.57.257B							PIPE, fuel delivery, from wing tip joint to main-plane	1	L.56	C	
1405	E.A1.57.257C							PIPE, air delivery, from drop tank to wing tip joint	1	L.56	C	
1406	E.A1.57.257D							PIPE, air delivery, from wing tip joint to main-plane	1	L.56	C	
1446	EEAS.66/5							RING, clamping, for pipe clips, 1 1/8" i/d ... ..	6	L.72	C	
2170	E.A1.57.1245							RING, clampin, for pipe clips, 1/4" i/d ... ..	2	L.72	C	

Pages SQ Not Issued

Ref. No.	Part No.	1 2 3 4 5 6						No. off	Matl Spec.	Cl. of Equip.	Plate No.
										M.R.	

**SERVICES**  
**HYDRAULIC EQUIPMENT IN CENTRE FUSELAGE**

Ref. No.	Part No.	Description						No. off	Matl Spec.	Cl. of Equip. M.R. L.M.	Plate No.
		1	2	3	4	5	6				
	E B6.73.5	<b>HYDRAULIC EQUIPMENT IN CENTRE FUSELAGE, ASSEMBLY</b>						—	—	—	
	—	Consisting of:— <b>HYDRAULIC EQUIPMENT CIRCUIT, ASSEMBLY</b> (E.A6.73.283)						—	—	—	
		Spares for:—									
27QM/4170093	MESSIER 8076/52	<b>DIVIDER</b> , flow ... ..						2	—	A	S.18
27B/4557451	VOKES E30L/1"/7915	<b>FILTER</b> ... ..						1	—	A	S.17
27B/2620	or E30/1"/22537	<b>FILTER</b> ... ..						1	—	A	
6A/2237916	†	<b>GAUGE</b> , pressure, Mk. 14LL ... ..						1	—	C	S.17
27QM/4143452	DOWTY 1.00522.001	<b>JACK</b> , bomb door, front, assembly (E.A3.73.643) (For spares see A.P.4515B, Vol. 3)						1	—	A	S.17
27QM/4143473	DOWTY 1.00523.001	<b>JACK</b> , bomb door, rear, assembly (E.A3.73.641) (For spares see A.P.4515B, Vol. 3)						1	—	A	S.18
27VA/4136	DUNLOP 6/W3/101/8/8/11.2	<b>PIPE</b> , flexible, bomb doors "open" (Pre-Mod. 2121)						1	—	B	
27VA/4137	DUNLOP 6/W3/101/8/8/12	<b>PIPE</b> , flexible, bomb doors "closed" (Pre-Mod. 2121)						2	—	B	
27VA/3650	DUNLOP 6/W3/101/8/9/12.5	<b>PIPE</b> , flexible, bomb doors "open" (Pre-Mod. 2121)						1	—	B	
27Y/6326208	ELECTRO HYDRAULICS 7391	<b>RELAY, HYDRAULIC PRESSURE GAUGE</b> ...						1	—	A	S.17
27Y/6326320	9913	Consisting of:— <b>ADAPTOR</b> , outlet to gauge ... ..						1	—	C	
27Y/6326321	9938	<b>ADAPTOR</b> , hydraulic supply inlet ... ..						1	—	C	
27Y/6258899	73082	<b>BODY</b> ... ..						1	DTD.130B	—	
27Y/6326322	30M/36 x 4	<b>CIRCLIP</b> , nut to body ... ..						1	—	C	
27Y/6326322	73081	<b>CYLINDER</b> ... ..						1	S.I	—	
27Y/6326323	73039	<b>NUT</b> , cylinder to body ... ..						1	—	C	
27Y/6326324	73083	<b>PISTON</b> ... ..						1	L.I	—	
27Y/6324118	40044	<b>PLUG</b> , bleed ... ..						1	—	C	
27Y/6324119	7379	<b>RESTRICTOR</b> ... ..						1	—	C	
27Y/6325739	739112	<b>RING</b> , piston ... ..						1	—	C	
27Y/6288900	739113	<b>RING</b> , piston ... ..						1	—	C	
30A/9437135	739114	<b>RING</b> , sealing, cylinder to body ... ..						1	—	C	
27Q/1104	2M/14 x 10	<b>WASHER</b> , at adaptors and restrictor ... ..						3	—	C	
27Q/1104	†	<b>WIRE</b> , locking ... ..						QR	—	C	
27Q/1104	DOWTY 408Y Mk.AN	<b>SELECTOR</b> , and non-return valve, for flap and air brake isolation (Pre-Mod. 3937)						1	—	A	S.17
27QM/4681530	DOWTY 408Y Mk.BN	<b>SELECTOR</b> , and non-return valve, for flap and air brake isolation (Mod. 3937)						1	—	A	
28Y/9701165	H. PRESSURE COMPONENTS GYP A58	<b>VALVE</b> , charging ... ..						1	—	C	S.17
27W/10	LOCKHEED UMC.706	<b>VALVE</b> , non-return, 1/2" BSP (Pre-Mod. 3368) ...						1	—	A	S.17
27W/4619632	LOCKHEED UMC.706/4	<b>VALVE</b> , non-return, 1/2" BSP (Mod. 3368) ...						1	—	A	

**SERVICES  
HYDRAULIC EQUIPMENT IN CENTRE FUSELAGE**

Ref. No.	Part No.	Description	No. off	Matl Spec.	Cl. of Equip.	Plate No.
					M.R. L.M.	
		1 2 3 4 5 6				
27Q/1105	DOWTY 5240Y	VALVE, non-return, flap and air brake isolation	1	—	A	
27QM/4143123	DOWTY C.1034Y Mk.Q	VALVE, pressure relief, flaps "down" (For spares see AP.4515B, Vol. 3)	1	—	A	S.17
27QM/4143161	DOWTY D.657Y	VALVE, restrictor (For spares see AP.4515B, Vol. 3)	1	—	A	S.17
27Q/782	DOWTY C.1183Y Mk.B	VALVE, rotary control, nosewheel (For spares see AP.4515B, Vol. 3) (Pre-Mod. 3937)	1	—	A	S.17
27QM/4143282	DOWTY 01183Y Mk.BO2	VALVE, rotary control (Mod. 3937) ... ..	1	—	A	
27QM/4170015	BRITISH MESSIER 6330	VALVE, solenoid operated ... ..	1	—	A	S.17
27QM/4143197	DOWTY C.4603Y Mk.E E.A3.73.399	VALVE, thermal relief ... .. <b>MOUNTING OF ROTARY CONTROL VALVE AND ACTUATOR FOR WING FLAPS, ASSEMBLY</b> Spares for:—	7	—	A	S.17
	EE. CO. LTD. BRADFORD TYPE 205 Mk.6	<b>ACTUATOR AND HYDRAULIC VALVE FOR FLAPS, ASSEMBLY</b> Consisting of:—	1	—	—	
5W/4511895	AED.200152	ACTUATOR, type 200, Mk. 1 ... ..	1	—	A	
5W/339	↑	BRACKET, mounting, c/w label ... ..	1	—	B	
27QM/4143265	DOWTY 408Y Mk.L	VALVE (Pre-Mod. 3937) ... ..	1	—	A	
27QM/4143260	408YBL	VALVE (Mod. 3937) ... ..	1	—	A	
		Attaching parts for Type 205, Mk. 6:—				
28D/1214311	A25/17C	Bolt, 2 BA ... ..	2	—	C	
28M/9403520	A27/CP	Nut, 2 BA ... ..	2	—	C	
	AS.2811/5/149	Tube, distance ... ..	2	L.72	LM	
28W/9419475	SP.15/C	Washer, plain ... ..	2	—	C	
28W/9416643	SP.47/C	Washer, spring ... ..	2	—	C	
5526	EEAS.91/3	CLIP, pipe, double, 3/8" o/d. ... ..	1	L.72	C	S.18
5348	EEAS.143/8H or	CLIP, pipe, single, 3/8" o/d., bonding ... ..	20	L.72	C	S.18
5K/4345977	AS.4526/6	CLIP, 3/8" (Alt. R60/39—Mod. 5100) ... ..	17	—	C	
		Attaching parts for EEAS.91/3 and EEAS.143/8H:—				
28D/9419452	A25/3B	Bolt, 4 BA (As required) ... ..	1	—	C	
28D/1010658	A25/1B	Bolt, 4 BA (As required) ... ..	1	—	C	
28M/1278189	AGS.2001/B/1	Nut, 4 BA (As required) ... ..	1	—	C	
28W/9419474	SP.15/B	Washer, 4 BA (As required) ... ..	1	—	C	
5259	EEAS.21/2ERH	Washer, "D" (As required) ... ..	1	L.72	C	S.18
28F/9476124	AGS.1118/C	CONE, tee ... ..	3	—	C	
784	E.A3.73.423	PIPE, assembly, from selector to reducing union cone aft of frame 18, flaps "up" line	1	DTD.5019	C	S.17
785	E.A3.73.425	PIPE, assembly, from selector to reducing union cone aft of frame 18, flaps "down" line	1	DTD.5019	C	S.17
1718	E.A3.73.427	PIPE, assembly, from tee cone to adaptor cone (starboard) in pipe run connecting port and starboard undercarriage door jack "closed" line	1	DTD.5019	C	S.17

**SERVICES**  
**HYDRAULIC EQUIPMENT IN CENTRE FUSELAGE**

Ref. No.	Part No.	Description						No. off	Matl Spec.	Cl. of Equip. M.R. L.M.	Plate No.
		1	2	3	4	5	6				
172i	E.A3.73.429	PIPE, assembly, from flap selector tee cone (aft) to air brake tee in reservoir return line						1	DTD.5019	C	S.17
788	E.A3.73.431	PIPE, assembly, from flap selector tee (forward) to tee cone aft of frame 17 in reservoir return line						1	L.56	C	S.17
786	E.A3.73.433	PIPE, assembly, from flap selector to tee cone in reservoir return line						1	L.56	C	S.17
787	E.A3.73.437	PIPE, assembly, from flap selector to tee cone (aft)						1	DTD.5019	C	S.17
1720	E.A3.73.439	PIPE, assembly, from tee cone aft flap selector to air brake selector						1	DTD.5019	C	S.17
3495	E.A3.73.645	PIPE, assembly, from flap selector tee forward to 4-way union cone in reservoir return line						1	L.56	C	S.17
	EEAS.237/17CH E.B6.73.15	WASHER, "D" (Alt. R60/39—Mod. 5100) ...						17	S.511	—	S.17
		<b>MOUNTING OF ROTARY CONTROL VALVES AND ACTUATORS FOR UNDER-CARRIAGE AND BOMB DOORS, ASSEMBLY</b> Spares for:—						—	—	—	S.17
	EE. CO. LTD. BRADFORD TYPE 204 Mk.6	<b>ACTUATOR, UNDERCARRIAGE ROTARY CONTROL VALVE, ASSEMBLY</b> Consisting of:—						1	—	—	S.17
SW/4511895 5W/338	AED.200152 † DOWTY	ACTUATOR, type 200, Mk. 1 ...						1	—	A	
		BRACKET, mounting, c/w label ...						1	—	B	
27Q/779	408Y Mk.Q	VALVE (Pre-Mod. 3937) ...						1	—	A	
27QM/4143270	408YBQ	VALVE (Mod. 3937) ...						1	—	A	
		Attaching parts for type 204 Mk. 6:—									
28D/1214311	A25/17C	Bolt, 2 BA ...						2	—	C	
28M/9403520	A27/CP	Nut, 2 BA ...						2	—	C	
	AS.2811.5.149	Tube, distance ...						2	L.72	LM	
28W/9419475	SP.15/C	Washer, plain ...						2	—	C	
28W/9416643	SP.47/C	Washer, spring ...						2	—	C	
	EE. CO. LTD. BRADFORD TYPE 206 Mk.6	<b>ACTUATOR, BOMB DOOR ROTARY CONTROL VALVE, ASSEMBLY</b> Consisting of:—						1	—	—	S.17
SW/4511895 5W/340	AED.200152 † DOWTY	ACTUATOR, type 200, Mk. 1 ...						1	—	A	
		BRACKET, mounting, c/w label ...						1	—	B	
27Q/780	408Y Mk R	VALVE (Pre-Mod. 3937) ...						1	—	A	
27QM/4143276	408YBR	VALVE (Mod. 3937) ...						1	—	A	
		Attaching parts for type 206 Mk. 6:—									
28D/1214311	A25/17C	Bolt, 2 BA ...						2	—	C	
28M/9403520	A27/CP	Nut, 2 BA ...						2	—	C	
	AS.2811.5.149	Tube, distance ...						2	L.72	LM	
28W/9419475	SP.15/C	Washer, plain ...						2	—	C	
28W/9416643	SP.47/C	Washer, spring ...						2	—	C	
5260	EEAS.143/5H	CLIP, pipe, single, 1/4" o/d., bonding ...						8	L.72	C	S.18
5258	EEAS.143/6H	CLIP, pipe, single, 1/4" o/d., bonding ...						2	L.72	C	S.18
5348	EEAS.143/8H	CLIP, pipe, single, 3/8" o/d., bonding ...						7	—	C	S.18
5544	EEAS.143/21H	CLIP, pipe, single, 1/2" o/d., bonding ...						2	L.72	C	S.18
5521	EEAS 143/24H or	CLIP, pipe, single, 3/4" o/d., bonding ...						2	L.72	C	S.18
		Alternative clips (Alt. R60/39—Mod. 5100) ...									
5K/6323922	AS.4526/3	CLIP, 1/8" ...						5	—	C	
5K/4345976	AS.4526/4	CLIP, 1/4" ...						1	—	C	
5K/4345977	AS.4526/6	CLIP, 3/8" ...						6	—	C	
5K/4345978	AS.4526/8	CLIP, 1/2" ...						1	—	C	
5K/4345980	AS.4526/12	CLIP, 3/4" ...						1	—	C	

**SERVICES**  
**HYDRAULIC EQUIPMENT IN CENTRE FUSELAGE**

Ref. No.	Part No.	Description	No. off	Matl Spec.	Cl. of Equip. M.R. L.M.	Plate No.
		Attaching parts for EEAS.143/5H, EEAS.143/6H, EEAS.143.8H, EEAS.143/21H and EEAS.143/24H				
28D/1010658	A25/1B	Bolt, 4 BA (As required) ... ..	1	—	C	
28D/13284	A28/3C	Bolt, 2 BA (As required) ... ..	1	—	C	
28M/1278189	AGS.2001/B/1	Nut, 4 BA (As required) ... ..	1	—	C	
28M/1278190	AGS.2001/C/1	Nut, 2 BA (As required) ... ..	1	—	C	
28W/9419474	SP.15/B	Washer, plain (As required) ... ..	1	—	C	
28W/9419475	SP.15/C	Washer, plain (As required) ... ..	1	—	C	
5259	EEAS 21/2ERH	Washer, "D" (As required) ... ..	1	L.72	C	S.18
28F/9476124	AGS.1118/C	CONE, tee ... ..	2	—	C	
28F/4051566	AGS.1120/3	CONE, tee ... ..	2	—	C	
28F/9476127	AGS.1120/5	CONE, tee ... ..	1	—	C	
28F/8011883	AGS.1102/B	CONE, union body ... ..	1	—	C	
1699	E.A3.73.333	PIPE, assembly, from undercarriage selector to thermal relief valve tee cone, nosewheel "up" line	1	DTD.5019	C	S.17
	or					
	E.A3.73.1313	PIPE, assembly (Alt. R60/80—Mod. 5100) ... ..	1	DTD.5019	LM	
775	E.A3.73.337	PIPE, assembly, from undercarriage selector to thermal relief valve tee cone, nosewheel "down" line	1	DTD.5019	C	S.17
	or					
	E.A3.73.1315	PIPE, assembly (Alt. R60/80—Mod. 5100) ... ..	1	DTD.5019	LM	
776	E.A3.73.339	PIPE, assembly, from bomb door selector to forward bomb door jack thermal relief valve tee coupling, "closed" line	1	DTD.5019	C	S.17
778	E.A3.73.343	PIPE, assembly, from bomb door selector to forward bomb door jack thermal relief valve tee coupling, "open" line	1	DTD.5019	C	S.17
780	E.A3.73.347	PIPE, assembly, from undercarriage selector to tee cone, hand pump return line	1	L.56	C	S.17
781	E.A3.73.349	PIPE, assembly, between undercarriage bomb door selector tee cones in reservoir return line	1	L.56	C	S.17
782	E.A3.73.351	PIPE, assembly, from bomb door selector tee cone to tee cone at frame 15, reservoir return line	1	L.56	C	S.17
783	E.A3.73.353	PIPE, assembly, from bomb door selector to tee cone, reservoir return line	1	L.56	C	S.17
1701	E.A3.73.355	PIPE, assembly, from union body cone aft of frame 15 to union body cone aft of frame 19, port brake	1	DTD.5019	C	S.17
	or					
	E.A3.73.1317	PIPE, assembly (Alt. R60/80—Mod. 5100) ... ..	1	DTD.5019	LM	
5944	E.B6.73.65	PIPE, assembly, from bomb door selector to tee cone, pressure line	1	DTD.5019	C	S.17
5945	E.B6.73.67	PIPE, assembly, from undercarriage selector to tee cone, pressure line	1	DTD.5019	C	S.17
5946	E.B6.73.69	PIPE, assembly, from tee cone aft of frame 14 to undercarriage and bomb door selector tee, hand pump pressure line	1	DTD.5019	C	S.17
	or					
	E.A4.73.5069	PIPE, assembly (Alt. R60/80—Mod. 5100) ... ..	1	DTD.5019	LM	
5947	E.B6.73.73	PIPE, assembly, from bomb door selector to cone union body aft of frame 19, "closed" line	1	DTD.5019	C	S.17
16505	E.B6.73.121	PIPE, assembly, from undercarriage selector to tee cone aft of frame 17, "up" line	1	DTD.5019	C	S.17
16506	E.B6.73.123	PIPE, assembly, from undercarriage selector to tee cone aft of frame 19, "down" line	1	DTD.5019	C	S.17
16507	E.B6.73.125	PIPE, assembly, from bomb door selector to cone union body aft of frame 19, "open" line	1	DTD.5019	C	S.17

**SERVICES**  
**HYDRAULIC EQUIPMENT IN CENTRE FUSELAGE**

Ref. No.	Part No.	Description	No. off	Matl Spec.	Cl. of Equip.	Plate No.
					M.R. L.M.	
		1 2 3 4 5 6				
12124	E.B6.73.149	PIPE, assembly, from bomb door selector aft tee cone to undercarriage selector tee cone, pressure line	1	DTD.5019	C	S.17
26DK/24376	EEAS.237/17CH	WASHER, "D" (Alt. R60/39—Mod. 5100) ...	12	S.511	—	
	EEAS.239/1CH	WASHER, "D" (Alt. R60/39—Mod. 5100) ...	1	S.511	—	
	EEAS.239/2CH	WASHER, "D" (Alt. R60/39—Mod. 5100) ...	1	S.511	C	
	E.B6.73.163	MOUNTING OF ROTARY CONTROL VALVE AND ACTUATOR FOR AIR BRAKES, ASSEMBLY Spares for:—	—	—	—	S.17
	EE. CO. LTD. BRADFORD TYPE 217 Mk.1	ACTUATOR AND HYDRAULIC VALVE FOR AIR BRAKES, ASSEMBLY Consisting of:—	1	—	—	S.17
5W/4511895	AED.200152	ACTUATOR, type 200, Mk. 1 ...	1	—	A	
5W/342	—	BRACKET, mounting ...	1	—	B	
27QM/4143265	408Y Mk.L	VALVE (Pre-Mod. 3937) ...	1	—	A	
27QM/4143260	408YBL	VALVE, (Mod. 3937) ...	1	—	A	
		Attaching parts for type 217, Mk. 1:—				
28D/1214311	A25/17C	Bolt, 2 BA ...	2	—	C	
28M/9403520	A27/CP	Nut, 2 BA ...	2	—	C	
	AS.2811 S.149	Tube, distance ...	2	L.62	LM	
28W/9419475	SP.15/C	Washer, plain ...	2	—	C	
28W/9416643	SP.47/C	Washer, spring ...	2	—	C	
829	E.A1.73.181	CLIP, for thermal relief valve mounting at frame 19 Attaching parts for E.A1.73.181:—	2	—	C	
28D/9435710	A25/11C	Bolt, 2 BA ...	2	—	C	
28M/9403520	A27/CP	Nut, 2 BA ...	2	—	C	
28W/9416643	SP.47/C	Washer, spring ...	2	—	C	
5260	EEAS.143/5H	CLIP, pipe, single, 3/8" o/d., bonding ...	10	L.72	C	S.18
5258	EEAS.143/6H	CLIP, pipe, single, 1/4" o/d., bonding ...	2	L.72	C	S.18
5348	EEAS.143/8H	CLIP, pipe, single, 3/8" o/d., bonding ... Alternative clips (Alt. R60/39—Mod. 5100) ...	17	L.72	C	S.18
5K/6323922	AS.4526/3	CLIP, 3/8" ...	4	—	C	
5K/4345976	AS.4526/4	CLIP, 1/2" ...	1	—	C	
5K/4345977	AS.4526/6	CLIP, 3/8" ...	8	—	C	
		Attaching parts for EEAS.143/5H, EEAS.143/6H and EEAS.143/8H:—				
28D/1010658	A25/1B	Bolt, 4 BA (As required) ...	1	—	C	
28M/1278189	AGS.2001/B/1	Nut, 4 BA (As required) ...	1	—	C	
28W/9419474	SP.15/B	Washer, plain (As required) ...	1	—	C	
5259	EEAS.21/2ERH	Washer, "D" (As required) ...	1	L.72	C	S.18
28F/9476124	AGS.1118/C	CONE, tee ...	1	—	C	
28F/9463542	AGS.1120/6	CONE, tee ...	1	—	C	
28F/9129085	AGS.1102/A	CONE, union body ...	1	—	C	
28F/9471001	AGS.1102/C	CONE, union body ...	2	—	C	
845	E.A3.73.467	PIPE, assembly, from air brake selector to 4-way union piece forward of frame 19, return line	1	L.56	C	S.17
846	E.A3.73.469	PIPE, assembly, from thermal relief valve tee cone to 4-way union piece forward of frame 19, return line	1	DTD.5019	C	S.17
	or E.A3.73.1337	PIPE, assembly (Alt. R60/80—Mod. 5100) ...	1	DTD.5019	LM	

**SERVICES**  
**HYDRAULIC EQUIPMENT IN CENTRE FUSELAGE**

Ref. No.	Part No.	Description						No. off	Matl Spec.	Cl. of Equip. M.R. L.M.	Plate No.
		1	2	3	4	5	6				
847	E.A3.73.471	PIPE, assembly, from outer thermal relief valve to tee cone aft of frame 19						1	DTD.5019	C	S.17
848	E.A3.73.473	PIPE, assembly, from tee cone aft of frame 19 to inner thermal relief valve, return line						1	DTD.5019	C	S.17
849	E.A3.73.475	PIPE, assembly, from tee cone aft of frame 20 to inboard thermal relief valve, reservoir return line						1	DTD.5019	C	S.17
12052	E.B6.73.117	PIPE, assembly, from union cone at centre line of aircraft to union cone forward of frame 20, starboard, undercarriage "down" line						1	DTD.5019	C	S.17
12053	E.B6.73.119	PIPE, assembly, from cone tee forward of frame 20 to union cone at centre line of aircraft, undercarriage "down" line						1	DTD.5019	C	S.17
15142	E.B6.73.135	PIPE, assembly, from air brake actuator to tee cone forward of main spar, pressure line						1	DTD.5019	C	S.17
15144	E.B6.73.137	PIPE, assembly, from outer thermal relief valve to tee cone forward of main spar, return line						1	DTD.5019	C	S.17
15146	E.B6.73.147	PIPE, assembly, from airbrake selector to tee cone forward of main spar, return line						1	DTD.5019	C	S.17
	EEAS.237/17CH	WASHER, "D" (Alt. R60/39—Mod. 5100) ...						12	S.511	—	
	E.A3.73.395	<b>PIPES, HYDRAULIC, BETWEEN FRAMES 27 AND 28, ASSEMBLY</b>						—	—	—	S.18
		Spares for:—									
5259	EEAS.143/6H	CLIP, pipe, single, 1/4" o/d., bonding ...						12	L.72	C	S.18
	or										
5K/4345976	AS.4526/4	CLIP, 1" (Alt. R60/39—Mod. 5100) ...						7	—	C	
		Attaching parts for EEAS.143/6H:—									
28D/1010658	A25/1B	Bolt, 4 BA ...						1	—	C	
28M/1278189	AGS.2001/B/1	Nut, 4 BA ...						1	—	C	
28W/9419474	SP.15/B	Washer, plain ...						1	—	C	
5259	EEAS 21/2ERH	Washer, "D" ...						1	L.72	C	S.18
28F/8011811	AGS.1118/B	CONE, tee ...						2	—	C	
828	E.A1.73.205	FAIRLEAD, at pipe entry to port and starboard wing forward of frame 28, flaps "up" and "down"						2	BS.2572	C	S.18
		Attaching parts for E.A1.73.205:—									
28D/1212941	A61/3C	Bolt, 2 BA ...						4	—	C	
28M/4095911	A29/CP	Nut, 2 BA ...						4	—	C	
28W/9419474	SP.15/B	Washer, plain ...						4	—	C	
28W/9416643	SP.47/C	Washer, spring ...						4	—	C	
2003	E.A3.73.513	PIPE, assembly, from tee cone forward of frame 28 to union cone between wing ribs 1 and 2, flaps "down" line, starboard						1	DTD.5019	C	S.18
	or										
	E.A3.73.1345	PIPE, assembly, (Alt. R60/80—Mod. 5100) ...						1	DTD.5019	LM	
2004	E.A3.73.515	PIPE, assembly, from tee cone forward of frame 28 to union cone between wing ribs 1 and 2, flaps "down" line, port						1	DTD.5019	C	S.18
	or										
	E.A3.73.1347	PIPE, assembly, (Alt. R60/80—Mod. 5100) ...						1	DTD.5019	LM	
2005	E.A3.73.517	PIPE, assembly, from tee cone forward of frame 28 to union cone between wing ribs 1 and 2, flaps "up" line, starboard						1	DTD.5019	C	S.18
	or										
	E.A3.73.1349	PIPE, assembly, (Alt. R60/80—Mod. 5100) ...						1	DTD.5019	LM	

**SERVICES  
HYDRAULIC EQUIPMENT IN CENTRE FUSELAGE**

Ref. No.	Part No.	Description	No. off	Matl Spec.	Cl. of Equip.	Plate No.
					M.R. L.M.	
		1 2 3 4 5 6				
2006	E.A3.73.519	PIPE, assembly, from tee cone forward of frame 28 to union cone between wing ribs 1 and 2, flaps "up" line, port	1	DTD.5019	C	S.18
	or E.A3.73.1351 EEAS.237/17CH E.A3.73.404	PIPE, assembly (Alt. R60/80—Mod. 5100) ... WASHER, D (Alt. R60/39—Mod. 5100) ...	1 7	DTD.5019 S.511	LM —	S.17
		<b>PIPES, HYDRAULIC, BETWEEN FRAMES 17 AND 18, STARBOARD, ASSEMBLY</b> Spares for:—	—	—	—	S.17
5526	EEAS.91/3	CLIP, pipe, double, 1/2" o/d ...	2	L.72	C	S.18
5348	EEAS.143/8H	CLIP, pipe, single, 1/2" o/d, bonding ...	4	L.72	C	S.18
	or 5K/4345977 AS.4526/6	CLIP, 3/8" (Alt. R60/39—Mod. 5100) ...	4	—	C	
28D/1008149	A25/2B	Attaching parts for EEAS.91/3 and EEAS.143/8H:— Bolt, 4 BA (As required) ...	1	—	C	
28D/9419452	A25/3B	Bolt, 4 BA (As required) ...	1	—	C	
28M/1278189	AGS.2001/B/1	Nut, 4 BA ...	1	—	C	
28W/9419474	SP.15/B	Washer, 4 BA (As required) ...	1	—	C	
5259	EEAS.21/2ERH	Washer, "D" ...	1	L.72	C	S.18
28F/9140971	AGS.1104/C	<b>CONE</b> , adaptor ... Attaching parts for AGS.1104/C:—	1	—	C	
28F/9429532	AGS.1186/C	Seal, bonded ...	1	—	C	
28F/4051566	AGS.1120/3	<b>CONE</b> , tee ...	1	—	C	
19875	E.86.73.187	PIPE, assembly, between tee cones forward and aft of frame 17, flap "return" line	1	—	C	S.17
28F/9707349	AGS.1114/C	<b>SLEEVE</b> , screwed, flanged, bulkhead ... Attaching parts for AGS.1114/C:—	1	—	C	
28D/9436920	A25/1C	Bolt, 2 BA ...	3	—	C	
28M/9403520	A27/CP	Nut, 2 BA ...	3	—	C	
28F/11736	AGS.1115/5	Washer, plate ...	1	—	C	
28W/9416643	SP.47/C	Washer, spring ...	3	—	C	
980	EEAS.20/1DR EEAS.237/17CH E.A3.73.405	<b>TAB</b> , locking ... WASHER, "D" (Alt. R60/39—Mod. 5100) ...	1 4	L.72 S.511	C —	S.17
		<b>PIPES, HYDRAULIC, BETWEEN FRAMES 18 AND 19, ASSEMBLY</b> Spares for:—	—	—	—	S.17
805	E.A1.73.175	CLIP, pressure relief valve ... Attaching parts for E.A1.73.175:—	2	—	C	S.17
28D/9435710	A25/11C	Bolt, 2 BA (Aft end) ...	2	—	C	
28D/9419397	A25/12C	Bolt, 2 BA (Forward end) ...	2	—	C	
28M/9403520	A27/CP	Nut, 2 BA ...	2	—	C	
28W/9416643	SP.47/C	Washer, spring ...	2	—	C	
829	E.A1.73.181	CLIP, thermal relief valve ... Attaching parts for E.A1.73.181:—	1	—	C	S.17
28D/9435710	A25/11C	Bolt, 2 BA ...	2	—	C	
28M/9403520	A27/CP	Nut, 2 BA ...	2	—	C	
28W/9416643	SP.47/C	Washer, spring ...	2	—	C	
4965	EEAS.143/5	CLIP, pipe, single, 3/8" o/d ...	4	L.72	C	
5258	EEAS.143/6H	CLIP, pipe, single, 1/2" o/d, bonding ...	2	L.72	C	S.18
5348	EEAS.143/8H	CLIP, pipe, single, 1/2" o/d, bonding ...	6	L.72	C	S.18
	or	Alternative clips (Alt. R60/39—Mod. 5100) ...				
5K/6323922	AS.4526/3	CLIP, 3/8" ...	2	—	C	
5K/4345976	AS.4526/4	CLIP, 1/2" ...	3	—	C	
5K/4345977	AS.4526/6	CLIP, 1/2" ...	2	—	C	

**SERVICES**  
**HYDRAULIC EQUIPMENT IN CENTRE FUSELAGE**

Ref. No.	Part No.	Description						No. off	Matl Spec.	Cl. of Equip. M.R. L.M.	Plate No.
		1	2	3	4	5	6				
		Attaching parts for EEAS.143/5, EEAS.143/6, and EEAS.143/8H:—									
28D/1010658	A25/1B	Bolt, 4 BA	...	...	...	...	1	—	C		
28M/1278189	AGS.2001/B/1	Nut, 4 BA	...	...	...	...	1	—	C		
28W/9419474	SP.15/B	Washer, 4 BA	...	...	...	...	1	—	C		
5259	EEAS.21/2ERH	Washer, "D"	...	...	...	...	1	L.72	C	S.18	
28F/9463543	AGS.1120/1	CONE, tee						1	—	C	
28F/8011811	AGS.1118/B	CONE, tee						1	—	C	
28F/9513028	AGS.1107/E	CONE, union reducing						2	—	C	
28F/8011885	AGS.1142/B	NIPPLE, adaptor						1	—	C	
820	E.A3.73.443	PIPE, assembly, from reducing cone aft of frame 18 to restrictor valve, flaps "down" line						1	DTD.5019	C	S.17
	or	PIPE, assembly (Alt. R60/80—Mod. 5100)						1	DTD.5019	LM	
821	E.A3.73.445	PIPE, assembly, from restrictor valve to tee cone at frame 19, flaps "down" line						1	DTD.5019	C	S.17
	or	PIPE, assembly (Alt. R60/80—Mod. 5100)						1	DTD.5019	LM	
1997	E.A3.73.1321 E.A3.73.447	PIPE, assembly, from tee cone at frame 19 to tee cone aft of frame 27, flaps "down" line						1	DTD.5019	C	S.17
	or	PIPE, assembly (Alt. R60/80—Mod. 5100)						1	DTD.5019	LM	
822	E.A3.73.1323 E.A3.73.449	PIPE, assembly, from flaps "down" line tee cone at frame 19 to pressure relief valve						1	DTD.5019	C	S.17
	or	PIPE, assembly (Alt. R60/80—Mod. 5100)						1	DTD.5019	LM	
823	E.A3.73.1325 E.A3.73.451	PIPE, assembly, from reducing cone aft of frame 18 to thermal relief valve tee, flaps "up" line						1	DTD.5019	C	S.17
	or	PIPE, assembly (Alt. R60/80—Mod. 5100)						1	DTD.5019	LM	
1998	E.A3.73.1327 E.A3.73.453	PIPE, assembly, from thermal relief valve tee to tee cone aft of frame 27, flaps "up" line						1	DTD.5019	C	S.17
	or	PIPE, assembly (Alt. R60/80—Mod. 5100)						1	DTD.5019	LM	
824	E.A3.73.1329 E.A3.73.455	PIPE, assembly, from thermal relief valve to flaps "up" line tee cone						1	DTD.5019	C	S.17
4518	E.A3.73.657	PIPE, assembly, from 4-way union cone forward of frame 19 (port) to reducing cone forward of frame 20, port airbrake return line						1	L.56	C	S.17
	or	PIPE, assembly (Alt. R60/80—Mod. 5100)						1	L.56	LM	
4520	E.A3.73.1331 E.A3.73.659	PIPE, assembly, from pressure relief valve to 4-way union cone aft of frame 18, return line						1	L.56	C	S.17
	or	PIPE, assembly (Alt. R60/80—Mod. 5100)						1	L.56	LM	
4521	E.A3.73.1333 E.A3.73.661	PIPE, assembly, from 4-way union cone aft of frame 18 to tee cone aft of frame 17, return line						1	L.56	C	S.17
	or	PIPE, assembly (Alt. R60/80—Mod. 5100)						1	L.56	LM	
4517	E.A3.73.1335 E.A3.73.663	PIPE, assembly, from pressure relief valve to 4-way cone, return line						1	DTD.5019	C	S.17
4519	E.A3.73.665	PIPE, assembly, from 4-way cone aft of frame 18 to union cone forward of frame 20, return line						1	DTD.5019	C	S.17
28F/4051705	AGS.1125/1	UNION, piece, cone 4-way						1	—	C	
28F/9489760	AGS.1125/4	UNION, piece, cone 4-way						1	—	C	
	EEAS.237/17CH	WASHER, "D" (Alt. R60/39—Mod. 5100)						7	S.511	—	

**SERVICES  
HYDRAULIC EQUIPMENT IN CENTRE FUSELAGE**

Ref. No.	Part No.	Description						No. off	Matl Spec.	Cl. of Equip.		Plate No.
		1	2	3	4	5	6			M.R.	L.M.	
	E.A3.73.407	<b>PIPES, HYDRAULIC, FRAME 19 TO FRAME 28, BOMB BAY, ASSEMBLY</b>						—	—	—		S.18
		Spares for:—										
1880	EEAS.91/1	CLIP, pipe, double, 1/4" o/d ... ..						1	L.72	C		S.18
5526	EEAS.91/3	CLIP, pipe, double, 3/8" o/d ... ..						1	L.72	C		S.18
5258	EEAS.143/6H	CLIP, pipe, single, 1/4" o/d, bonding ... ..						20	L.72	C		S.18
5348	EEAS.143/8H	CLIP, pipe, single, 3/8" o/d, bonding ... ..						22	L.72	C		S.18
	or	Alternative clips (Alt.R60/39 — Mod. 5100) ... ..										
5K/4345976	AS.4526/4	CLIP, 1/4" ... ..						6	—	C		
5K/4345977	AS.4526/6	CLIP, 3/8" ... ..						6	—	C		
28E/9130611	AS.5419/4	CLIP, 1/4" ... ..						8	—	C		
28E/9130685	AS.5419/6	CLIP, 3/8" ... ..						10	—	C		
		Attaching parts for EEAS.91/1, EEAS.91/3, EEAS.143/6H, and EEAS.143/8H:—										
28D/1010658	A25/1B	Bolt, 4 BA (As required) ... ..						1	—	C		
28D/1008149	A25/2B	Bolt, 4 BA (As required) ... ..						1	—	C		
28D/9419452	A25/3B	Bolt, 4 BA (As required) ... ..						1	—	C		
28M/1278189	AGS.2001/B/1	Nut, 4 BA ... ..						1	—	C		
5259	EEAS.21/2ERH	Washer, "D" (As required) ... ..						1	L.72	C		S.18
28W/9419474	SP.15/B	Washer, plain (As required) ... ..						1	—	C		
28F/9471001	AGS.1102/C	<b>CONE</b> , union body ... ..						2	—	C		
13160	E.B6.73.333	<b>PIPE</b> , assembly, from union cone aft of frame 19 to union cone aft of frame 28, bomb doors "open" line						7	DTD.5019	C		S.17
13162	E.B6.73.335	<b>PIPE</b> , assembly, from union cone aft of frame 19 to union cone aft of frame 28, bomb doors "closed" line						1	DTD.5019	C		S.17
	EEAS.237/17CH	<b>WASHER</b> , "D" (Alt. R60/39—Mod. 5100) ... ..						30	S.511	—		S.18
	E.A3.73.485	<b>PIPES, HYDRAULIC, AIR BRAKE, BETWEEN FRAMES 21 AND 23, ASSEMBLY</b>						—	—	—		S.18
		Spares for:—										
5258	EEAS.143/6H	CLIP, pipe, single, 1/4" o/d, bonding ... ..						17	L.72	C		S.18
5348	EEAS.143/8H	CLIP, pipe, single, 3/8" o/d, bonding ... ..						4	L.72	C		S.18
	or	Alternative clips (Alt. R60/39—Mod 5100) ... ..										
5K/4345976	AS.4526/4	CLIP, 1/4" ... ..						11	—	C		
5K/4345977	AS.4526/6	CLIP, 3/8" ... ..						2	—	C		
		Attaching parts for EEAS.143/6H and EEAS.143/8H:—										
28D/1010658	A25/1B	Bolt, 4 BA (As required) ... ..						1	—	C		
28D/1008149	A25/2B	Bolt, 4 BA (As required) ... ..						1	—	C		
28M/1278189	AGS.2001/B/1	Nut, 4 BA ... ..						1	—	C		
5259	EEAS.21/2ERH	Washer, "D" (As required) ... ..						1	L.72	C		
28W/9419474	SP.15/B	Washer, plain (As required) ... ..						1	—	C		
28F/8011809	AGS.1104/B	<b>CONE</b> , adaptor ... ..						4	—	C		
		Attaching parts for AGS.1104/B:—										
28F/9428453	AGS.1186/B	Seal, bonded ... ..						1	—	C		
28F/9140971	AGS.1104/C	<b>CONE</b> , adaptor ... ..						2	—	C		
		Attaching parts for AGS.1104/C:—										
28F/9429532	AGS.1186/C	Seal, bonded ... ..						1	—	C		
28F/1013402	AGS.1111/B	<b>CONE</b> , union, body, flanged, bulkhead ... ..						4	—	C		
		Attaching parts for AGS.1111/B:—										
28D/1010658	A25/1B	Bolt, 4 BA ... ..						6	—	C		
28M/9403519	A27/BP	Nut, 4 BA ... ..						6	—	C		
28F/9128928	AGS.1115/2	Washer, plate ... ..						1	—	C		
28W/9416642	SP.47/B	Washer, spring ... ..						6	—	C		

**SERVICES**  
**HYDRAULIC EQUIPMENT IN CENTRE FUSELAGE**

Ref. No.	Part No.	Description						No. off	Matl Spec.	Cl. of Equip. M.R. L.M.	Plate No.
		1	2	3	4	5	6				
853	E.A3.73.489	PIPE, assembly, from inboard flow divider to flanged union cone at port wing joint, forward of frame 22, air brake "out" line						1	DTD.5019	C	S.18
	or										
854	E.A3.73.1353 E.A3.73.491	PIPE, assembly (Alt. R60/80—Mod. 5100) ... PIPE, assembly, from outboard flow divider to flanged union cone at port wing joint, aft of frame 22, air brake "in" line						1 1	DTD.5019 DTD.5019	LM C	S.18
	or										
2001	E.A3.73.1355 E.A3.73.493	PIPE, assembly (Alt. R60/80—Mod. 5100) ... PIPE, assembly, from inboard flow divider to flanged union cone at starboard wing joint, aft of frame 22, air brake "out" line						1 1	DTD.5019 DTD.5019	LM C	S.18
	or										
2002	E.A3.73.1357 E.A3.73.495	PIPE, assembly (Alt. R60/80—Mod. 5100) ... PIPE, assembly, from outboard flow divider to flanged union cone at starboard wing joint, aft of frame 22, air brake "in" line						1 1	DTD.5019 DTD.5019	LM C	S.18
	or										
981	E.A3.73.1359 EEAS.20/2DR EEAS.237/17CH E.B6.73.7	PIPE, assembly (Alt. R60/80—Mod. 5100) ... TAB, locking, 22 SWG ... WASHER, "D" (Alt. R60/39—Mod. 5100) ... <b>PIPES, HYDRAULIC, BETWEEN FRAMES 20 AND 21, ASSEMBLY</b> Spares for:—						1 8 13 —	DTD.5019 L.72 S.511 —	LM C — —	S.18
5260	EEAS.143/5H	CLIP, pipe, 1/8" o/d., bonding ...						19	L.72	C	S.18
5258	EEAS.143/6H	CLIP, pipe, 1/4" o/d., bonding ...						13	L.72	C	S.18
5348	EEAS.143/8H	CLIP, pipe, 3/8" o/d., bonding ... Alternative clips (Alt. R60/39—Mod. 5100) ...						16	L.72	C	S.18
	or										
5K/6323922	AS.4526/3	CLIP, 1/8" ...						9	—	C	
5K/4345976	AS.4526/4	CLIP, 1/4" ...						8	—	C	
5K/4345977	AS.4526/6	CLIP, 3/8" ...						6	—	C	
		Attaching parts for EEAS.143/5H, EEAS.143/6H and EEAS.143/8H:—									
28D/1010658	A25/1B	Bolt, 4 BA (As required) ...						1	—	C	
28D/1008149	A25/2B	Bolt, 4 BA (As required) ...						1	—	C	
28D/1007979	AS.1246/1B	Bolt, 4 BA (As required) ...						1	—	C	
28M/1278189	AGS.2001/B/1	Nut, 4 BA ...						1	—	C	
5259	EEAS.21/2ERH	Washer, "D" (As required) ...						1	L.72	C	S.18
28W/9419474	SP.15/B	Washer, plain (As required) ...						1	—	C	
28W/9416642	SP.47/B	Washer, spring (As required) ...						1	—	C	
28F/9140971	AGS.1104/C	CONE, adaptor ... Attaching parts for AGS.1104/C:—						2	—	C	
28F/9429532	AGS.1186/C	Seal, bonded ...						1	—	C	
28F/9476124	AGS.1118/C	CONE, tee ...						3	—	C	
28F/8011883	AGS.1102/B	CONE, union body ...						1	—	C	
806	E.A1.73.177	COUPLING, tee, 1/8" x 1/8" x 1/8" ...						2	—	C	
6520	E.A6.73.65	FAIRLEAD ... Attaching parts for E.A6.73.65:—						2	BS.2572	C	S.17
28D/1212941	A61/3C	Bolt, 2 BA ...						4	—	C	
28M/4095911	A29/CP	Nut, 2 BA ...						4	—	C	
28W/9419402	SP.13/C	Washer ...						4	—	C	
28W/9416643	SP.47/C	Washer, spring ...						4	—	C	

**SERVICES  
HYDRAULIC EQUIPMENT IN CENTRE FUSELAGE**

Ref. No.	Part No.	Description						No off	Matl Spec.	Cl. of Equip.	Plate No.
		1	2	3	4	5	6			M.R. L.M.	
4515	E.A3.73.653	PIPE, assembly, from union cone forward of frame 20 to union cone at starboard wing joint, brake return line						1	DTD.5019	C	S.17
4516	E.A3.73.655	PIPE, assembly, from union cone forward of frame 20 to union cone at port wing joint, brake return line						1	DTD.5019	C	S.17
12051	E.B6.73.85	PIPE, assembly, from union cone forward of main spar to union cone at starboard wing joint, brake pressure line						1	DTD.5019	C	S.17
	or										
15137	E.A4.73.5075 E.B6.73.115	PIPE, assembly (Alt. R60/80—Mod. 5100) ... PIPE, assembly, from union cone forward of frame 20 to starboard wing joint, undercarriage "down" line						1 1	DTD.5019 DTD.5019	LM C	S.17
15138	E.B6.73.127	PIPE, assembly, from tee cone forward of frame 20 to port wing joint, undercarriage "down" line						1	DTD.5019	C	S.17
15139	E.B6.73.129	PIPE, assembly, from tee cone forward of main spar to outboard flow divider aft of frame 22, return line						1	DTD.5019	C	S.18
15140	E.B6.73.131	PIPE, assembly, from union cone forward of main spar to union cone forward of frame 20, starboard brake pressure line						1	DTD.5019	C	S.17
	or										
15141	E.A4.73.5073 E.B6.73.133	PIPE, assembly (Alt. R60/80—Mod. 5100) ... PIPE, assembly, from tee cone forward of main spar to inboard flow divider aft of frame 22, air brake pressure line						1 1	DTD.5019 DTD.5019	LM C	S.18
12006	E.B6.73.145	PIPE, assembly, from union cone forward of frame 20 to union cone at port wing joint, brake pressure line						1	DTD.5019	C	S.17
	or										
12008	E.A4.73.5071 E.B6.73.153	PIPE, assembly (Alt. R60/80—Mod. 5100) ... PIPE, assembly, from solenoid operated valve to tee cone aft of frame 20						1 1	DTD.5019 DTD.5019	LM C	S.17
12009	E.B6.73.155	PIPE, assembly, from tee cone to non-return valve, aft of frame 20						1	DTD.5019	C	S.17
12010	E.B6.73.157	PIPE, assembly, from non-return valve to thermal relief valve tee, aft of frame 20						1	DTD.5019	C	S.17
12011	E.B6.73.159	PIPE, assembly, from thermal relief valve tee cone to solenoid operated valve tee cone, forward of main spar						1	DTD.5019	C	S.17
12012	E.B6.73.161	PIPE, assembly, from solenoid operated valve to tee cone forward of main spar, air brake pressure line						1	DTD.5019	C	S.17
	EEAS.237/17CH E.B6.73.9	WASHER, "D" (Alt. R60/39—Mod. 5100) ... <b>PIPES, HYDRAULIC, BETWEEN FRAMES 12 AND 13, PORT SIDE, ASSEMBLY</b> Spares for:—						22 —	S.511 —	— —	S.17
28F/1011798 835	AGS.1103/F E.A1.70.61	BODY, cone union ... CLAMP, pipe, forward face, frame 13 bulkhead ... Attaching parts for E.A1.70.61:—						1 1	— BS.2572	C C	S.17
28D/1011006 28M/9403519 28W/9416642	A25/5B A27/BP SP.47/B	Bolt, 4 BA ... Nut, 4 BA ... Washer, spring ...						2 2 2	— — —	C C C	
841	E.A1.73.257	CLAMP, pipe, at frame 13 bulkhead, starboard ... Attaching parts for E.A1.73.257:—						1	BS.2572	C	S.17
28D/9140645 28M/1006473 28W/9416643	A25/10C A27/CT SP.47/C	Bolt, 2 BA ... Nut, 2 BA ... Washer, spring ...						2 2 2	— — —	C C C	

**SERVICES**  
**HYDRAULIC EQUIPMENT IN CENTRE FUSELAGE**

Ref. No.	Part No.	Description	No. off	Mati Spec.	Cl. of Equip.	Plate No.
					M.R. L.M.	
1536	E.A1.73.325	<b>CLAMP</b> , pipe, at frame 13 bulkhead, port ...	1	BS.2572	C	S.17
28D/1010142	A25/9B	Attaching parts for E.A1.73.325:—				
28M/9403519	A27/BP	Bolt, 4 BA ...	2	—	C	
28W/9419474	SP.15/B	Nut, 4 BA ...	2	—	C	
28W/9416642	SP.47/B	Washer ...	2	—	C	
		Washer, spring ...	2	—	C	
1880	EEAS.91/1	<b>CLIP</b> , pipe, double, 1/2" o/d. ...	2	L.16	C	S.18
5258	EEAS.143/6H	<b>CLIP</b> , pipe, single, 3/8" o/d., bonding ...	7	L.72	C	S.18
5521	EEAS.143/24H	<b>CLIP</b> , pipe, single, 1/2" o/d., bonding ...	6	L.72	C	S.18
	or	Alternative clips (Alt. R60/39—Mod. 5100) ...				
5K/4345976	AS.4526/4	<b>CLIP</b> , 1/2" ...	6	—	C	
5K/4345980	AS.4526/12	<b>CLIP</b> , 1/2" ...	4	—	C	
		Attaching parts for EEAS.91/1, EEAS.143/6H and EEAS.143/24H:—				
28D/1010658	A25/1B	Bolt, 4 BA (As required) ...	1	—	C	
28D/9436920	A25/1C	Bolt, 2 BA (As required) ...	1	—	C	
28M/9403519	A27/BP	Nut, 4 BA (As required) ...	1	—	C	
28M/1278189	AGS.2001/B/1	Nut, 4 BA (As required) ...	1	—	C	
28M/1278190	AGS.2001/C/1	Nut, 2 BA (As required) ...	1	—	C	
5259	EEAS.21/2ERH	Washer "D" (As required) ...	1	L.72	C	S.18
28W/9416642	SP.47/B	Washer, spring (As required) ...	1	—	C	
28F/8011809	AGS.1104/B	<b>CONE</b> , adaptor ...	1	—	C	
28F/9463543	AGS.1120/1	<b>CONE</b> , tee ...	2	—	C	
28F/9129085	AGS.1102/A	<b>CONE</b> , union body ...	1	—	C	
28F/8011883	AGS.1102/B	<b>CONE</b> , union body ...	4	—	C	
5K/7000230	AS.3360/B3B	<b>LEAD</b> , bonding ...	1	—	C	
5K/7000227	AS.3360/B5B	<b>LEAD</b> , bonding ...	2	—	C	
6150-99-7135	AGS.2097/B3B	<b>LEAD</b> , bonding (Alt. R60/39—Mod. 5100) ...	1	—	C	
-745	AGS.2097/B5B	<b>LEAD</b> , bonding (Alt. R60/39—Mod. 5100) ...	2	—	LM	
7770	E.A1.73.129	<b>MOUNTING, "YOKES" FILTER, ON FRAME 13 BULKHEAD, ASSEMBLY</b>	1	—	B	
		Spares for:—				
1498	E.A1.73.377	<b>ADAPTOR</b> , engine suction line pipe to filter	2	DTD.693	C	
3393	E.A1.73.393	<b>CLIP</b> , filter mounting ...	1	L.72	C	
28F/1013599	AGS.1142/A	<b>NIPPLE</b> , adaptor ...	1	—	C	
28F/8011897	AGS.1142/F	<b>NIPPLE</b> , adaptor ...	4	—	C	
837	E.A1.73.331	<b>PIPE</b> , assembly, from ground selector to union cone, nosewheel "up" line	1	DTD.5019	C	S.17
	or					
	E.A3.73.1291	<b>PIPE</b> , assembly (Alt. R60/80—Mod. 5100) ...	1	DTD.5019	LM	
838	E.A1.73.333	<b>PIPE</b> , assembly, from ground selector to union cone, nosewheel "down" line	1	DTD.5019	C	S.17
	or					
	E.A3.73.1293	<b>PIPE</b> , assembly (Alt. R60/80—Mod. 5100) ...	1	DTD.5019	LM	
840	E.A1.73.337	<b>PIPE</b> , assembly, from ground selector to tee cone, hand pump pressure line	1	DTD.5019	C	S.17
1692	E.A3.73.223	<b>PIPE</b> , assembly, from hydraulic air pressure gauge to tee cone	1	DTD.5019	C	S.17
1609	E.A3.73.233	<b>PIPE</b> , assembly, from air pressure gauge tee cone to brake accumulator on frame 12	1	DTD.5019	C	S.17
	or					
	E.A3.73.1205	<b>PIPE</b> , assembly (Alt. R60/80—Mod. 5100) ...	1	DTD.5019	LM	
1693	E.A3.73.417	<b>PIPE</b> , assembly, from air pressure gauge tee cone to air charging valve on frame 13 bulkhead	1	DTD.5019	C	S.17
	or					
	E.A3.73.1297	<b>PIPE</b> , assembly (Alt. R60/80—Mod. 5100) ...	1	DTD.5019	LM	

**SERVICES  
HYDRAULIC EQUIPMENT IN CENTRE FUSELAGE**

Ref. No.	Part No.	Description						No. off	Matl Spec.	Cl. of Equip. M.R. L.M.	Plate No.
		1	2	3	4	5	6				
1694	E.A3.73.419	PIPE, assembly, from union cone aft of frame 12B to union cone aft of frame 15, port brake line						1	DTD.5019	C	S.17
	or										
1695	E.A3.73.1299 E.A3.73.421	PIPE, assembly (Alt. R60/80—Mod. 5100) ... PIPE, assembly, from union cone aft of frame 12B to union cone aft of frame 19, starboard brake line						1 1	DTD.5019 DTD.5019	LM C	S.17
	or										
2014	E.A3.73.1301 E.A3.73.625	PIPE, assembly (Alt. R60/80—Mod. 5100) ... PIPE, assembly, from oil filter to union at frame 12B, suction line						1 1	DTD.5019 L.56	LM C	S.17
3094	E.A3.73.637	PIPE, assembly, from nosewheel selector tee to tee cone aft of frame 12B, hand pump pressure line						1	DTD.5019	C	S.17
	or										
5949	E.A3.73.1295 E.A3.73.787	PIPE, assembly (Alt. R60/80—Mod. 5100) ... PIPE, assembly, from union cone aft of frame 12B to union cone forward of frame 15, pressure gauge line						1 1	DTD.5019 DTD.5019	LM C	S.17
2013	E.A3.73.623	PIPE, assembly, from union body at frame 13 to oil filter, suction line (To be used with pipe assembly Part No. E.B6.73.71)						1	L.56	C	S.17
	or										
21854	E.A9.73.651	PIPE, assembly, from union body at frame 13 to oil filter, suction line (To be used with pipe assembly Part No. E.A9.73.649)						1	L.56	C	S.17
28F/9128943	AGS.1114/B	SLEEVE, screwed, flanged bulkhead ... Attaching parts for AGS.1114/B:—						1	—	C	
28D/1010658	A25/1B	Bolt, 4 BA ...						6	—	C	
28M/9403519	A27/BP	Nut, 4 BA ...						6	—	C	
28F/9428453	AGS.1186/B	Seal, bonded ...						2	—	C	
28F/4051641	AGS.1115/3	Washer plate ...						1	—	C	
28W/9416642	SP.47/B	Washer spring ...						6	—	C	
981	EEAS.20/2DR EEAS.237/17CH	TAB, locking, 20 SWG ... WASHER, "D" (Alt. R60/39—Mod. 5100) ...						2 4	L.72 S.511	C —	S.18
26DK/24376	EEAS.239/2CH E.B6.73.11	WASHER, "D" (Alt. R60/39—Mod. 5100) ... PIPES, HYDRAULIC, BETWEEN FRAMES 13 AND 14 AND FOR FRONT BOMB DOOR JACK, ASSEMBLY						6 —	S.511 —	C —	S.17
		Spare parts for:—									
829	E.A1.73.181	CLIP, pipe, flexible (Pre-Mod. 2121) ... Attaching parts for E.A1.73.181:—						2	—	C	
28D/9140645	A25/10C	Bolt, 2 BA (As required) ...						2	—	C	
28D/9419397	A25/12C	Bolt, 2 BA (As required) ...						2	—	C	
28M/1278190	AGS.2001/C/1	Nut, 2 BA ...						2	—	C	
28W/9419402	SP.13/C	Washer, 2 BA ...						2	—	C	
5348	EEAS.143/8H	CLIP, pipe, single, 3/8" o/d., bonding (Pre-Mod. 2121)						2	L.72	C	S.18
	or										
5K/4345977	AS.4526/6	CLIP, 3/8" (Alt. R60/39—Mod. 5100) ... Attaching parts for EEAS.143/8H:—						1	—	C	
28D/1010658	A25/1B	Bolt, 4 BA ...						1	—	C	
28M/1278189	AGS.2001/B/1	Nut, 4 BA ...						1	—	C	
28W/9419474	SP.15/B	Washer, 4 BA ...						1	—	C	
5259	EEAS.21/2ERH	Washer, "D" ...						1	L.72	C	S.18
28F/9471001	AGS.1102/C	CONE, union body ...						2	—	C	

**SERVICES**  
**HYDRAULIC EQUIPMENT IN CENTRE FUSELAGE**

Ref. No.	Part No.	Description						No. off	Matl Spec.	Cl. of Equip. M.R. L.M.	Plate No.
		1	2	3	4	5	6				
5349	E.A1.73.323	<b>FAIRLEAD</b> (Pre-Mod. 2121) ... ..						2	BS.2572	C	
28D/1010142	A25/9B	Attaching parts for E.A1.73.323:—									
28M/1278189	AGS.2001/B/1	Bolt, 4 BA ... ..						2	—	C	
28W/9419465	SP.13/B	Nut, 4 BA ... ..						2	—	C	
		Washer, 4 BA ... ..						2	—	C	
1697	E.A3.73.411	<b>PIPE</b> , assembly, from union cone on front face of frame 13 bulkhead to connection with bomb door jack pipe, "closed" line						1	DTD.5019	C	S.17
1698	E.A3.73.413	<b>PIPE</b> , assembly, from union cone front face of frame 13 bulkhead to connection with bomb door jack pipe, "open" line						1	DTD.5019	C	S.17
	E.B6.73.253	<b>PIPES, SPIRAL, BOMB DOOR JACKS, ASSEMBLY (MOD. 2121)</b>						—	—	—	S.17
		Spares for:—									
28E/9713018	AS.3181/6C	<b>CLIP</b> , pipe, 3/8" o/d ... ..						4	—	C	
	or										
5K/4345977	AS.4526/6	<b>CLIP</b> , 3/8" (Alt. R60/39—Mod. 5100) ... ..						4	—	C	
		Attaching parts for AS.3181/6C or AS.4526/6:—									
28D/1009984	A25/7B	Bolt, 4 BA (As required) ... ..						1	—	C	
28D/9436920	A25/1C	Bolt, 2 BA (As required) ... ..						1	—	C	
28D/9133011	A25/2C	Bolt, 2 BA (As required) ... ..						1	—	C	
28M/9403520	A27/CP	Nut, 2 BA ... ..						1	—	C	
	27578	Piece, distance (As required) ... ..						1	—	LM	S.17
	26494	Washer, "D", bonding ... ..						1	L.72	C	
	or										
28W/9416643	EEAS.239/1CH	Washer, "D" (Alt. R60/39—Mod. 5100) ... ..						1	S.511	—	
	SP.47/C	Washer, spring ... ..						1	—	C	
26488	E.B6.73.613	<b>FAIRLEAD</b> ... ..						2	BS.2572	C	S.17
		Attaching parts for E.B6.73.613:—									
28D/9133014	A25/13C	Bolt, 2 BA (As required) ... ..						2	—	C	
28D/1011024	A25/21C	Bolt, 2 BA (As required) ... ..						2	—	C	
28M/1278190	AGS.2001/C/1	Nut, 2 BA (As required) ... ..						2	—	C	
	26489	Packing (As required) ... ..						1	—	LM	S.17
28W/9419475	SP.15/C	Washer, 2 BA ... ..						2	—	C	
5K/1037443	AS.3360/C6C	<b>LEAD</b> , bonding ... ..						4	—	C	
	or										
28F/8011896	AGS.2097/C6C	<b>LEAD</b> , bonding (Alt. R60/39—Mod. 5100) ... ..						2	—	LM	
	AGS.1142/C	<b>NIPPLE</b> , adaptor ... ..						3	—	C	
	26484	<b>PIPE</b> , assembly, coiled, front bomb door jack pipe, doors "closed" line						1	DTD.5019	C	S.17
	26485	<b>PIPE</b> , assembly, coiled, front bomb door jack pipe, doors "open" line						1	DTD.5019	C	S.17
28F/9439766	AGS.1106/C	<b>UNION</b> , body ... ..						2	—	C	
	EEAS.237/17CH	<b>WASHER</b> , "D" (Alt. R60/39—Mod. 5100) ... ..						1	S.511	—	
	E.B6.73.13	<b>PIPES, HYDRAULIC, BETWEEN FRAMES 14 AND 15, ASSEMBLY</b>						—	—	—	S.17
		Spares for:—									
5260	EEAS.143/5H	<b>CLIP</b> , pipe, single, 3/8" o/d, bonding ... ..						4	L.72	C	S.18
5258	EEAS.143/6H	<b>CLIP</b> , pipe, single, 3/8" o/d, bonding ... ..						3	L.72	C	S.18
5348	EEAS.143/8H	<b>CLIP</b> , pipe, single, 3/8" o/d, bonding ... ..						6	L.72	C	S.18
5544	EEAS.143/21H	<b>CLIP</b> , pipe, single, 3/8" o/d, bonding ... ..						2	L.72	C	S.18
5521	EEAS.143/24H	<b>CLIP</b> , pipe, single, 3/8" o/d, bonding ... ..						1	L.72	C	S.18
	or										
5K/6323922	AS.4526/3	<b>CLIP</b> , 3/8" ... ..						4	—	C	
5K/4345976	AS.4526/4	<b>CLIP</b> , 1/2" ... ..						3	—	C	
5K/4345977	AS.4526/6	<b>CLIP</b> , 3/4" ... ..						4	—	C	
5K/4345978	AS.4526/8	<b>CLIP</b> , 1/2" ... ..						1	—	C	
5K/4345980	AS.4526/12	<b>CLIP</b> , 3/4" ... ..						1	—	C	

**SERVICES**  
**HYDRAULIC EQUIPMENT IN CENTRE FUSELAGE**

Ref. No.	Part No.	Description						No. off	Matl Spec.	Cl. of Equip. M.R. L.M.	Plate No.
		1	2	3	4	5	6				
		Attaching parts for EEAS.143/5H, EEAS.143/6H, EEAS.143/8H, EEAS.143/21H and EEAS.143/24H:—									
28D/1010658	A25/1B	Bolt, 4	BA	(As required)	...	...	1	—	C		
28D/1008149	A25/2B	Bolt, 4	BA	(As required)	...	...	1	—	C		
28D/9133011	A28/2C	Bolt, 4	BA	(As required)	...	...	1	—	C		
28M/1278189	AGS.2001/B/1	Nut, 4	BA	(As required)	...	...	1	—	C		
28M/1278190	AGS.2001/C/1	Nut, 2	BA	(As required)	...	...	1	—	C		
5259	EEAS.21/2ERH	Washer, "D"	...	...	...	...	1	L.72	C	S.18	
28W/9419474	SP.15/B	Washer, 4	BA	...	...	...	1	—	C		
829	E.A1.73.181	<b>CLIP</b> , thermal relief valve mounting ... ..						4	—	C	
		Attaching parts for E.A1.73.181:—									
28D/9140645	A25/10C	Bolt, 2	BA	...	...	...	2	—	C		
28M/1006473	A27/CT	Nut, 2	BA	...	...	...	2	—	C		
28W/9416643	SP.47/C	Washer, spring	...	...	...	...	2	—	C		
28F/11018	AGS.1159/B	<b>CONE</b> , cap ... ..						2	—	C	
	or	<b>CONE</b> , cap (Alt. R60/80—Mod. 5100) ... ..						2	—	C	
28F/1013959	AGS.1236/B	<b>CONE</b> , tee ... ..						2	—	C	
28F/9440831	AGS.1118/A	<b>CONE</b> , tee ... ..						1	—	C	
28F/8011811	AGS.1118/B	<b>CONE</b> , tee ... ..						2	—	C	
28F/9463543	AGS.1120/1	<b>CONE</b> , union body ... ..						1	—	C	
28F/9129085	AGS.1102/A	<b>COUPLING</b> , tee, at thermal relief valve pipe junction with bomb door jack line						2	—	C	
806	E.A1.73.177	<b>FAIRLEAD</b> , between frames 14 and 15 ... ..						1	—	C	S.17
7764	E.A3.73.593	Attaching parts for E.A3.73.593:—									
28D/9140645	A25/10C	Bolt, 2	BA	...	...	...	2	—	C		
5259	EEAS.21/2ERH	Washer, "D"	...	...	...	...	2	L.72	C	S.18	
1987	E.A1.73.339	<b>PIPE</b> , assembly, from nosewheel rotary control valve to tee cone aft of frame 14, hand pump pressure line						1	DTD.5019	C	S.17
	or	<b>PIPE</b> , assembly (Alt. R60/80—Mod. 5100) ... ..						1	DTD.5019	LM	
1988	E.A1.73.343	<b>PIPE</b> , assembly, from nosewheel rotary control valve to tee cone aft of frame 14, nose-wheel "up" line						1	DTD.5019	C	S.17
	or	<b>PIPE</b> , assembly (Alt. R60/80—Mod. 5100) ... ..						1	DTD.5019	LM	
1989	E.A1.73.345	<b>PIPE</b> , assembly, from nosewheel rotary control valve to tee cone aft of frame 14, nose-wheel "down" line						1	DTD.5019	C	S.17
	or	<b>PIPE</b> , assembly (Alt. R60/80—Mod. 5100) ... ..						1	DTD.5019	LM	
808	E.A1.73.347	<b>PIPE</b> , assembly, from aft thermal relief valve to tee cone aft of frame 14 (port)						1	DTD.5019	C	S.17
809	E.A1.73.349	<b>PIPE</b> , assembly, from forward thermal relief valve to tee cone aft of frame 14 (port)						1	DTD.5019	C	S.17
1990	E.A1.73.351	<b>PIPE</b> , assembly, from tee cone aft of frame 14 to union body forward of frame 13, bomb door "open" line						1	DTD.5019	C	S.17
1991	E.A1.73.353	<b>PIPE</b> , assembly, from tee cone aft of frame 14 to union body forward of frame 13, bomb door "closed" line						1	DTD.5019	C	S.17
810	E.A1.73.355	<b>PIPE</b> , assembly, from forward thermal relief valve to tee cone aft of frame 14 (starboard)						1	DTD.5019	C	S.17

**SERVICES**  
**HYDRAULIC EQUIPMENT IN CENTRE FUSELAGE**

Ref. No.	Part No.	Description						No. off	Matl Spec.	Cl. of Equip. M.R. L.M.	Plate No.
		1	2	3	4	5	6				
811	E.A1.73.357	PIPE, assembly, from aft thermal relief valve to tee cone aft of frame 14 (starboard)						1	DTD.5019	C	S.17
813	E.A1.73.361	PIPE, assembly, from 4-way union to tee cone forward of frame 15, reservoir return line						1	L.56	C	S.17
	or										
814	E.A3.73.1309 E.A1.73.363	PIPE, assembly (Alt. R60/80—Mod. 5100) ... PIPE, assembly, from forward (port) thermal relief valve to tee cone, reservoir return line						1	L.56 DTD.5019	LM C	S.17
815	E.A1.73.365	PIPE, assembly, from aft (port) thermal relief valve to tee cone, reservoir return line						1	DTD.5019	C	S.17
816	E.A1.73.367	PIPE, assembly, from port thermal relief valves tee to 4-way union cone, reservoir return line						1	DTD.5019	C	S.17
817	E.A1.73.369	PIPE, assembly, from forward (starboard) thermal relief valve to tee cone, reservoir return line						1	DTD.5019	C	S.17
818	E.A1.73.371	PIPE, assembly, from aft (starboard) thermal relief valve to tee cone, reservoir return line						1	DTD.5019	C	S.17
819	E.A1.73.373	PIPE, assembly, from starboard thermal relief valves tee to 4-way union cone, reservoir return line						1	DTD.5019	C	S.17
1992	E.A1.73.375	PIPE, assembly, from tee cone at frame 15 to adaptor nipple at frame 12, reservoir return line						1	L.56	C	S.17
5950	E.A3.73.777	PIPE, assembly, from union cone forward of frame 15 to pressure gauge relay						1	DTD.5019	C	S.17
28F/9717654	AGS.2111	SLEEVE, outer, in 4-way union piece ...						2	—	C	
28F/4051705	AGS.1125/1	UNION PIECE, cone, 4-way ...						1	—	C	
	EEAS.237/17CH	WASHER, "D" (Alt. R60/39—Mod. 5100) ...						8	S.511	—	
	EEAS.239/1CH	WASHER, "D" (Alt. R60/39—Mod. 5100) ...						1	S.511	—	
26DK/24376	EEAS.239/2CH E.B6.73.17	WASHER, "D" (Alt. R60/39—Mod. 5100) ... <b>PIPES, HYDRAULIC, BETWEEN FRAMES 16 AND 17, PORT AND STARBOARD, ASSEMBLY</b>						1	S.511	C	S.17
		Spares for:—									
5522	EEAS.91/3H	CLIP, pipe, double, 3/8" o/d., bonding ...						1	L.72	C	
5348	EEAS.143/8H	CLIP, pipe, single, 3/8" o/d., bonding ...						4	L.72	C	S.18
5543	EEAS.143/10H	CLIP, pipe, single, 1/2" o/d., bonding ...						1	L.72	C	S.18
5523	EEAS.143/23H	CLIP, pipe, single, 3/8" o/d., bonding ...						10	L.72	C	S.18
28E/1059359	AGS.2081/6	CLIP, pipe, 3/8" dia., rubber covered ...						6	—	C	
	or	Alternative clips (Alt. R60/39—Mod. 5100) ...									
5K/4345977	AS.4526/6	CLIP, 3/8" ...						8	—	C	
5K/4345978	AS.4526/8	CLIP, 1/2" ...						1	—	C	
5K/4345979	AS.4526/10	CLIP, 3/4" ...						5	—	C	
28E/9130685	AS.5419/6	CLIP, 1/2" ...						2	—	C	
28E/9130754	AS.5419/10	CLIP, 3/4" ...						2	—	C	
		Attaching parts for EEAS.91/3H, EEAS.143/8H, EEAS.143/10H, EEAS.143/23H and AGS.2081/6:—									
28D/1010658	A25/1B	Bolt, 4 BA (As required) ...						1	—	C	
28D/9419452	A25/3B	Bolt, 4 BA (As required) ...						1	—	C	
28D/9436920	A25/1C	Bolt, 2 BA (As required) ...						1	—	C	
28D/1200119	A25/4C	Bolt, 2 BA (As required) ...						1	—	C	
28M/1278189	AGS.2001/B/1	Nut, 4 BA (As required) ...						1	—	C	
28M/1278190	AGS.2001/C/1	Nut, 2 BA (As required) ...						1	—	C	
28W/9419475	SP.15/C	Washer, 2 BA (As required) ...						1	—	C	
5259	EEAS.21/2ERH	Washer, "D" ...						1	L.72	C	S.18
28F/9476124	AGS.1118/C	CONE, tee ...						3	—	C	
28F/9489323	AGS.1120/10	CONE, tee ...						1	—	C	
30965	E.A3.73.915	COUPLING, pipe ...						3	S.91	C	S.17
803	E.A1.73.249	COUPLING, tee ...						1	DTD.5044	C	S.17

**SERVICES  
HYDRAULIC EQUIPMENT IN CENTRE FUSELAGE**

Ref. No.	Part No.	Description	No. off	Matl Spec.	Cl. of Equip.		Plate No.
					M.R.	L.M.	
		1 2 3 4 5 6					
16510	E.B6.73.197	<b>FAIRLEAD</b> , at starboard wing joint ... ..	1	BS.2572	C		S.17
		Attaching parts for E.B6.73.197:—					
28D/1200119	A25/4C	Bolt, 2 BA ... ..	4	—	C		
28M/9403520	A27/CP	Nut, 2 BA ... ..	4	—	C		
28W/9416643	SP.47/C	Washer, spring ... ..	4	—	C		
16512	E.B6.73.203	<b>FAIRLEAD</b> , at port wing joint ... ..	1	—	C		S.17
		Attaching parts for E.B6.73.203:—					
28D/1200119	A25/4C	Bolt, 2 BA ... ..	4	—	C		
28M/9403520	A27/CP	Nut, 2 BA ... ..	4	—	C		
28W/9416643	SP.47/C	Washer, spring ... ..	4	—	C		
16511	E.B6.73.199	<b>FAIRLEAD</b> , half, for pipes to starboard wing ...	2	BS.2572	C		S.17
		Attaching parts for E.B6.73.199:—					
28D/9140644	A25/9C	Bolt, 2 BA ... ..	3	—	C		
28M/1278190	AGS.2001/C/1	Nut, 2 BA ... ..	3	—	C		
28W/9419402	SP.13/C	Washer, 2 BA ... ..	3	—	C		
5K/7000230	AS.3360/B3B	<b>LEAD</b> , bonding ... ..	2	—	C		
5K/7001266	AS.3360/C3C	<b>LEAD</b> , bonding ... ..	5	—	C		
		or					
6150-99-7135-745	AGS.2097/B3B	<b>LEAD</b> , bonding (Alt. R60/39—Mod. 5100) ...	1	—	C		
	AGS.2097/C3C	<b>LEAD</b> , bonding (Alt. R60/39—Mod. 5100) ...	3	—	LM		
28F/9439897	AGS.1142/E	<b>NIPPLE</b> , adaptor ... ..	8	—	C		
28F/8011897	AGS.1142/F	<b>NIPPLE</b> , adaptor ... ..	2	—	C		
7758	E.A3.73.717	<b>PEG</b> ... ..	1	—	C		
		Attaching parts for E.A3.73.717:—					
28M/1278190	AGS.2001/C/1	Nut, 2 BA ... ..	1	—	C		
792	E.A3.73.375	<b>PIPE</b> , assembly, between union bodies aft of frame 16, port engine driven pump suction line	1	L.56	C		S.17
794	E.A3.73.383	<b>PIPE</b> , assembly, from union body to tee coupling, aft of frame 16, port engine driven pump suction line	1	L.56	C		S.17
801	E.A3.73.499	<b>PIPE</b> , assembly, from tee coupling to union body, aft of frame 16, engine driven pump suction line	1	L.56	C		S.17
3661	E.A3.73.703	<b>PIPE</b> , assembly, from tee cone forward to tee cone aft, pressure line	1	DTD.5019	C		S.17
3663	E.A3.73.705	<b>PIPE</b> , assembly, from tee cone to ground/flight selector, pressure line	1	DTD.5019	C		S.17
5959	E.A3.73.779	<b>PIPE</b> , assembly, from ground/flight selector to tee cone forward of frame 16	1	DTD.5019	C		S.17
5960	E.A3.73.811	<b>PIPE</b> , assembly, from tee cone to pressure relay gauge	1	DTD.5019	C		S.17
30957	E.A3.73.911	<b>PIPE</b> , assembly, between couplings aft of frame 16, port engine driven pump delivery line	1	DTD.743	C		S.17
30955	E.A3.73.913	<b>PIPE</b> , assembly, between couplings aft of frame 16, port engine driven pump delivery line	1	DTD.743	C		S.17
30975	E.A4.73.265	<b>PIPE</b> , assembly, from coupling aft of frame 16 to union body at rib 1, port wing, engine driven pump delivery line	1	DTD.743	C		S.17
30977	E.A4.73.271	<b>PIPE</b> , assembly, from coupling aft of frame 16 to connection at rib 1, starboard wing, port engine driven pump delivery line	1	DTD.743	C		S.17

**SERVICES**  
**HYDRAULIC EQUIPMENT IN CENTRE FUSELAGE**

Ref. No.	Part No.	Description						No. off	Matl Spec.	Cl. of Equip. M.R. L.M.	Plate No.
		1	2	3	4	5	6				
5951	E.B6.73.71	PIPE, assembly, from tee coupling aft of frame 16 to cone body aft of frame 13, engine driven pumps, suction line (To be used with pipe assembly Part No. E.A3.73.623)						1	L.56	C	S.17
21853	or E.A9.73.649	PIPE, assembly, from tee coupling aft of frame 16 to cone body aft of frame 13, engine driven pumps, suction line (To be used with pipe assembly Part No. E.A9.73.651)						1	L.56	C	S.17
5952	E.B6.73.75	PIPE, assembly, from rotary control valve to tee cone forward of frame 16, pressure line						1	DTD.5019	C	S.17
5955	E.B6.73.93	PIPE, assembly, from union body aft of frame 16 to connection at rib 1, starboard wing, port engine driven pump suction line						1	L.56	C	S.17
5957	E.B6.73.97	PIPE, assembly, from tee cone aft of frame 16 to non-return valve in starboard wing between fuselage and rib 1, engine driven pump pressure line						1	DTD.5019	C	S.17
5958	E.B6.73.99	PIPE, assembly, from tee cone aft of frame 16 to union cone in starboard wing between fuselage and rib 1, engine driven pump return line						1	DTD.5019	C	S.17
12050	E.B6.73.141	PIPE, assembly, from non-return valve forward of frame 16 to tee cone aft of frame 16, engine driven pump return line						1	L.56	C	S.17
16508	E.B6.73.143	PIPE, assembly, from tee cone forward of frame 16 to tee cone aft of frame 16, pressure line						1	DTD.5019	C	S.17
6999	E.B6.73.189	PIPE, assembly, from coupling aft of frame 16 to union body at rib 1, port wing engine driven pump suction line						1	DTD.5019	C	S.17
	AS.2809/4/05	TUBE, distance ... ..						2	L.62	LM	
28D/1011023	A25/20C	Attaching parts for AS 2809/4/05:—						2	—	C	
28M/1278190	AGS.2001/C/1	Bolt, 2 BA ... ..						2	—	C	
		Nut, 2 BA ... ..						2	—	C	
28F/4051569	AGS.1103/E	UNION, body ... ..						3	—	C	
	EEAS.237/17CH	WASHER, "D" (Alt. R60/39—Mod. 5100) ...						3	S.511	—	
	EEAS.239/1CH	WASHER, "D" (Alt. R60/39—Mod. 5100) ...						8	S.511	—	
26DK/24376	EEAS.239/2CH	WASHER, "D" (Alt. R60/39—Mod. 5100) ...						7	S.511	C	
	E.B6.73.19	<b>PIPES, HYDRAULIC, BETWEEN FRAMES 17 AND 18, PORT, ASSEMBLY</b>						—	—	—	S.17
		Spares for:—									
5348	EEAS.143/8H	CLIP, pipe, single, 3/8" o/d, bonding ... ..						2	L.72	C	S.18
5K/4345977	or AS.4526/6	CLIP, 3/8" (Alt. R60/39—Mod. 5100) ... ..						1	—	C	
		Attaching parts for EEAS.143/8H:—									
28D/1010658	A25/1B	Bolt, 4 BA ... ..						1	—	C	
28M/1278189	AGS.2001/B/1	Nut, 4 BA ... ..						1	—	C	
28W/9419474	SP.15/B	Washer, 4 BA ... ..						1	—	C	
5259	EEAS.21/2ERH	Washer, "D" ... ..						1	L.72	C	S.18
28F/9140971	AGS.1104/C	CONE, adaptor ... ..						1	—	C	
		Attaching parts for AGS.1104/C:—									
28F/1202393	AGS.1138/C	Washer, jointing ... ..						1	—	C	
804	E.A3.73.479	PIPE, assembly, from tee cone forward of frame 18 to cone adaptor at port wing joint, undercarriage door jacks, "closed" line						1	DTD.5019	C	S.17

**SERVICES**  
**HYDRAULIC EQUIPMENT IN CENTRE FUSELAGE**

Ref. No.	Part No.	Description						No. off	Matl Spec.	Cl. of Equip.	Plate No.
		1	2	3	4	5	6			M.R. L.M.	
28F/9707349	AGS.1114/C	<b>SLEEVE</b> , screwed flanged bulkhead ... ..						1	—	C	
		Attaching parts for AGS.1114/C:—									
28D/9436920	A25/1C	Bolt, 2 BA ... ..						3	—	C	
28M/9403520	A27/CP	Nut, 2 BA ... ..						3	—	C	
28F/4051652	AGS.1115/5	Washer, plate ... ..						1	—	C	
28W/9416643	SP.47/C	Washer, spring ... ..						3	—	C	
980	EEAS.20/1DR	<b>TAB</b> , locking, 20 SWG ... ..						1	L.72	C	
	EEAS.237/17CH	<b>WASHER</b> , "D" (Alt. R60/39—Mod. 5100) ...						1	S.511	—	
	E.B6.73.21	<b>PIPES, HYDRAULIC, BETWEEN FRAMES 18 AND 19, ASSEMBLY</b>						—	—	—	S.17
		Spares for:—									
5258	EEAS.143/6H	<b>CLIP</b> , pipe, single, 1/2" o/d, bonding ... ..						9	L.72	C	S.18
5348	EEAS.143/8H	<b>CLIP</b> , pipe, single, 3/8" o/d, bonding ... ..						5	L.72	C	S.18
	or	Alternative clips (Alt. R60/39—Mod. 5100) ...									
5K/4345976	AS.4526/4	<b>CLIP</b> , 1/2" ... ..						5	—	C	
5K/4345977	AS.4526/6	<b>CLIP</b> , 3/8" ... ..						4	—	C	
		Attaching parts for EEAS.143/6H and EEAS.143/8H:—									
28D/1010658	A25/1B	Bolt, 4 BA ... ..						1	—	C	
28M/1278189	AGS.2001/B/1	Nut, 4 BA ... ..						1	—	C	
28W/9419474	SP.15/B	Washer, 4 BA (As required) ... ..						1	—	C	
5259	EEAS.21/2ERH	Washer, "D" (As required) ... ..						1	L.72	C	S.18
28F/8011883	AGS.1102/B	<b>CONE</b> , union body ... ..						2	—	C	
28F/1013401	AGS.1107/A	<b>CONE</b> , union, reducing ... ..						9	—	C	
	EEAS.237/17CH	<b>WASHER</b> , "D" (Alt. R60/39—Mod. 5100) ...						9	S.511	—	
	E.B6.73.165	<b>PIPES, HYDRAULIC, AT REAR BOMB BAY DOOR OPERATING JACK, ASSEMBLY</b>						—	—	—	S.18
		Spares for:—									
5348	EEAS.143/8H	<b>CLIP</b> , pipe, single, 3/8" o/d, bonding ... ..						9	L.72	C	S.18
	or	Alternative clips (Alt. R60/39—Mod. 5100) ...									
5K/4345977	AS.4526/6	<b>CLIP</b> , 1/2" ... ..						4	—	C	
28E/9130685	AS.5419/6	<b>CLIP</b> , 3/8" ... ..						3	—	C	
		Attaching parts for EEAS.143/8H:—									
28D/1008149	A25/2B	Bolt, 4 BA (As required) ... ..						1	—	C	
28D/9419452	A25/3B	Bolt, 4 BA (As required) ... ..						1	—	C	
28M/1278189	AGS.2001/B/1	Nut, 4 BA ... ..						1	—	C	
28W/9419474	SP.15/B	Washer, 4 BA (As required) ... ..						1	—	C	
5259	EEAS.21/2ERH	Washer, "D" (As required) ... ..						1	L.72	C	S.18
28F/9471001	AGS.1102/C	<b>CONE</b> , union body ... ..						2	—	C	
28614	E.B6.73.621	<b>PIPE</b> , assembly, from union cone aft of frame 28 to rear bomb door operating jack pipe connection, doors "closed" line						1	—	C	S.18
28615	E.B6.73.623	<b>PIPE</b> , assembly, from union cone aft of frame 28 to rear bomb door operating jack pipe connection, doors "open" line						1	—	C	S.18
	E.B6.73.253	<b>PIPES, SPIRAL, BOMB DOOR JACKS, ASSEMBLY (MOD. 2121)</b>						—	—	—	S.17
		Spares for:—									
26486	E.B6.73.609	<b>ADAPTOR</b> , assembly ... ..						1	—	C	
		Attaching parts for E.B6.73.609:—									
28D/1011021	A25/16C	Bolt, 2 BA ... ..						2	—	C	
26487	E.B6.73.611	Piece, distance ... ..						2	—	C	
28W/9419475	SP.15/C	Washer, 2 BA ... ..						2	—	C	

**SERVICES**  
**HYDRAULIC EQUIPMENT IN CENTRE FUSELAGE**

Ref. No.	Part No.	Description	No. off	Matl Spec.	Cl. of Equip.	Plate No.
					M.R. L.M.	
		1 2 3 4 5 6				
28E/9713018	AS.3181/6C	CLIP, pipe, 3/8" o/d. ... ..	4	—	C	
or						
5K/4345977	AS.4526/6	CLIP, 3/8" (Alt. R60/39—Mod. 5100) ... ..	4	—	C	
		Attaching parts for AS.3181/6C:—				
28D/9436920	A25/1C	Bolt, 2 BA ... ..	1	—	C	
28M/9403520	A27/CP	Nut, 2 BA ... ..	1	—	C	
26494	EEAS.21/9BRH	Washer, "D" ... ..	1	L.72	C	
28W/9416643	SP.47/C	Washer, spring ... ..	1	—	C	
26488	E.B6.73.613	<b>FAIRLEAD</b> ... ..	1	BS.2572	C	
		Attaching parts for E.B6.73.613:—				
28D/1011021	A25/16C	Bolt, 2 BA ... ..	2	—	C	
28M/1278190	AGS.2001/C/1	Nut, 2 BA ... ..	2	—	C	
28W/9419475	SP.15/C	Washer, 2 BA ... ..	2	—	C	
5K/1037443	AS.3360/C6C	<b>LEAD</b> , bonding ... ..	4	—	C	
or						
28F/8011896	AGS.2097/C6C	<b>LEAD</b> , bonding (Alt. R60/39—Mod. 5100) ... ..	2	—	LM	
26482	AGS.1142/C	<b>NIPPLE</b> , adaptor ... ..	3	—	C	
	E.B6.73.601	<b>PIPE</b> , assembly, coiled, rear bomb door jack pipe, doors "open" line	1	DTD.5019	C	S.18
33022	E.B6.73.625	<b>PIPE</b> , assembly, coiled, rear bomb door jack pipe, doors "closed" line (Mod 3507)	1	DTD.5019	C	S.18
28F/9439766	EEAS.239/1CH	<b>WASHER</b> , "D" (Alt. R60/39—Mod. 5100) ... ..	4	S.511	—	
	AGS.1106/C	<b>UNION</b> , body ... ..	1	—	C	
	EEAS.237/17CH	<b>WASHER</b> , "D" (Alt. R60/39—Mod. 5100) ... ..	7	S.511	—	
	E.B6.73.171	<b>PIPES, HYDRAULIC, BETWEEN FRAMES 15 AND 16, STARBOARD, ASSEMBLY</b>	—	—	—	S.17
		Spares for:—				
2446	E.A3.73.221	<b>BRACKET</b> , relay valve mounting ... ..	1	T.45	C	
		Attaching parts for E.A3.73.221:—				
28D/9140647	A25/14C	Bolt, 2 BA ... ..	2	—	C	
28M/1278190	AGS.2001/C/1	Nut, 2 BA ... ..	2	—	C	
5348	EEAS.143/8H	<b>CLIP</b> , pipe, single, 3/8" o/d, bonding ... ..	1	L.72	C	S.18
5544	EEAS.143/21H	<b>CLIP</b> , pipe, single, 1/2" o/d, bonding ... ..	3	L.72	C	S.18
5521	EEAS.143/24H	<b>CLIP</b> , pipe, single, 3/8" o/d, bonding ... ..	2	L.72	C	S.18
	or	Alternative clips (Alt. R60/39—Mod. 5100) ... ..				
5K/4345977	AS.4526/6	<b>CLIP</b> , 3/8" ... ..	1	—	C	
5K/4345978	AS.4526/8	<b>CLIP</b> , 1/2" ... ..	1	—	C	
5K/4345980	AS.4526/12	<b>CLIP</b> , 3/4" ... ..	1	—	C	
28E/9130689	AS.5419/8	<b>CLIP</b> , 1/2" ... ..	1	—	C	
		Attaching parts for EEAS.143/8H, EEAS.143/21H, and EEAS.143/24H:—				
28D/1010658	A25/1B	Bolt, 4 BA (As required) ... ..	1	—	C	
28D/9436920	A25/1C	Bolt, 2 BA (As required) ... ..	1	—	C	
28D/9133012	A25/3C	Bolt, 2 BA (As required) ... ..	1	—	C	
28M/1278189	AGS.2001/B/1	Nut, 4 BA (As required) ... ..	1	—	C	
28M/1278190	AGS.2001/C/1	Nut, 2 BA (As required) ... ..	1	—	C	
28W/9419475	SP.15/C	Washer, 2 BA (As required) ... ..	1	—	C	
5259	EEAS.21/2ERH	Washer, "D" (As required) ... ..	1	L.72	C	S.18
15145	E.B6.73.139	<b>PIPE</b> , assembly, from tee cone forward of frame 15 to non-return valve between frames 15 and 16, bomb doors "return" line	1	L.56	C	S.17
		<b>WASHER</b> , "D" (Alt. R60/39—Mod. 5100) ... ..	1	S.511	—	
	EEAS.237/17CH	<b>WASHER</b> , "D" (Alt. R60/39—Mod. 5100) ... ..	2	S.511	—	
	EEAS.239/1CH	<b>WASHER</b> , "D" (Alt. R60/39—Mod. 5100) ... ..	1	S.511	C	
26DK/24376	EEAS.239/2CH	<b>WASHER</b> , "D" (Alt. R60/39—Mod. 5100) ... ..	1	S.511	C	

**SERVICES**  
**HYDRAULIC EQUIPMENT IN CENTRE FUSELAGE**

Ref. No.	Part No.	Description						No. off	Matl Spec.	Cl. of Equip. M.R. L.M.	Plate No.
		1	2	3	4	5	6				
	E.A1.73.113	<b>SELECTOR, NOSEWHEEL GROUND, ASSEMBLY</b>						—	—	—	
		Spares for:—									
3414	E.A1.73.395	<b>BRACKET, nosewheel selector mounting ...</b>						1	L.72	C	
		Attaching parts for E.A1.73.395:—									
28D/9436920	A25/1C	Bolt, 2 BA ... ..						5	—	C	
28D/9133011	A25/2C	Bolt, 2 BA ... ..						1	—	C	
28M/9403520	A27/CP	Nut, 2 BA ... ..						6	—	C	
28W/9416643	SP.47/C	Washer, spring ... ..						6	—	C	
3506	E.A1.73.391	<b>LEVER, GROUND SELECTOR, NOSEWHEEL ASSEMBLY</b>						1	—	C	
		Spares for:—									
858	E.A1.73.233	<b>SPRING, tension, 20 SWG ... ..</b>						1	—	C	

Restricted

Ref. No.	Part No.							Description	No. off	Matl Spec.	Cl. of Equip.			Plate No.
		1	2	3	4	5	6				M.R.	L.M.		

**SERVICES**  
**HYDRAULIC EQUIPMENT IN FRONT FUSELAGE**

Ref. No.	Part No.	Description	No. off	Matl Spec.	Cl. of Equip.	Plate No.
					M.R. L.M.	
	E.G4.73.103	<b>HYDRAULIC EQUIPMENT IN FRONT FUSELAGE, ASSEMBLY (MOD. 4799)</b>	—	—	—	
	—	Consisting of:— <b>HYDRAULIC EQUIPMENT, CIRCUIT, ASSEMBLY (E.A6.73.283)</b>	—	—	—	
	—	Spares for:—				
	LOCKHEED					
27M/461	AIR.40016	<b>ACCUMULATOR</b> , hydraulic ... ..	1	—	A	S.14
6A/2237916	†	<b>GAUGE</b> , pressure, Mk. 14LL ... ..	1	—	C	S.14
	DOWTY					
27QM/4143637	O.8214Y.CO1	<b>JACK</b> , nosewheel ... ..	1	—	A	S.15
27QM/4143591	O.8246Y.CO1	<b>JACK</b> , nosewheel door ... ..	1	—	A	S.15
	DUNLOP					
27VA/4619897	4/W3/101/8/8/ 11.2	<b>PIPE</b> , flexible, nosewheel door "closed" line (Pre-Mod. 5100 or 5190)	1	—	B	
27VA/6115869	4/W14/DAS 7005 /11.2	<b>PIPE</b> , flexible, nosewheel door, "closed" line (Alt. R60/32—Mod. 5100 or Mod. 5190)	1	—	B	
27VA/4619912	4/W3/101/8/9 /10	<b>PIPE</b> , flexible, nosewheel door, "open" line (Pre-Mod. 5100 or 5190)	1	—	B	
27VA/6115881	4/W14/DAS 7006 /10	<b>PIPE</b> , flexible, nosewheel door, "open" line (Alt. R60/32—Mod. 5100 or Mod. 5190)	1	—	B	
27VA/4619925	4/W3/101/8/9 /15	<b>PIPE</b> , flexible, nosewheel "up" line (Pre-Mod. 5100 or 5190)	1	—	B	
27VA/6115883	4/W14/DAS 7006 /15	<b>PIPE</b> , flexible, nosewheel, "up" line (Alt. R60/32—Mod. 5100 or Mod. 5190)	1	—	B	
27VA/6320154	4/W3/101/8/9 /28	<b>PIPE</b> , flexible, nosewheel, "down" line (For A/C not embodying Mod. 856) (Pre-Mod. 5100 or 5190)	1	—	B	
27VA/6115882	4/W14/DAS 7006 /28	<b>PIPE</b> , flexible, nosewheel, "down" line (For A/C not embodying Mod. 856) (Alt. R60/32—Mod. 5100 or Mod. 5190)	1	—	B	
27VA/4625931	4/W3/101/8/9 /24	<b>PIPE</b> , flexible, nosewheel, "down" line (For A/C embodying Mod. 856) (Pre-Mod. 5100 or 5190)	1	—	B	
27VA/6115887	4/W14/DAS 7006 /24	<b>PIPE</b> , flexible, nosewheel, "down" line (For A/C embodying Mod. 856) (Alt. R60/32—Mod. 5100 or Mod. 5190)	1	—	B	
	TURNER					
27Z/4420704	77C/1275	<b>PUMP</b> , hand, duplex ... ..	1	—	A	S.14
	ELECTRO					
27Y/6326208	HYDS.7391	<b>RELAY, HYDRAULIC PRESSURE GAUGE</b> ...	1	—	A	S.14
		Consisting of:—				
27Y/6326320	9913	<b>ADAPTER</b> , outlet to gauge ... ..	1	—	C	
27Y/6326321	9938	<b>ADAPTER</b> , hydraulic supply unit ... ..	1	—	C	
	73082	<b>BODY</b> ... ..	1	DTD.130B	—	
27Y/6258899	30M/36 x 4	<b>CIRCLIP</b> , nut to body ... ..	1	—	C	
	73081	<b>CYLINDER</b> ... ..	1	S.1	—	
27Y/6326322	73039	<b>NUT</b> , cylinder to body ... ..	1	—	C	
	73083	<b>PISTON</b> ... ..	1	L.1	—	
27Y/6326323	40044	<b>PLUG</b> , bleed ... ..	1	—	C	
27Y/6326324	7379	<b>RESTRICTOR</b> ... ..	1	—	C	
27Y/6324118	739112	<b>RING</b> , piston ... ..	1	—	C	
27Y/6324119	739113	<b>RING</b> , piston ... ..	1	—	C	
27Y/6325739	739114	<b>RING</b> , sealing, cylinder to body ... ..	1	—	C	
27Y/6288900	2M/14 x 10	<b>WASHER</b> , at adaptors and restrictor ... ..	3	—	C	
30A/9437135	—	<b>WIRE</b> , locking ... ..	QR	—	C	
	DOWTY					
27Q/4146632	C.2254Y	<b>UNIT</b> , oil filter ... ..	1	—	A	S.14
	DUNLOP					
27G/2585	AC.12734	<b>VALVE</b> , brake control (For Dunlop spares breakdown see AP.4515C, Vol. 3. Pt. 1, Section 2, Chap. 37 (Pre-Mod. 3962)	1	—	A	
27G/4618165	AC.61762	<b>VALVE</b> , brake control (Mod. 3962) ... ..	1	—	A	S.14

**SERVICES**  
**HYDRAULIC EQUIPMENT IN FRONT FUSELAGE**

Ref. No.	Part No.	Description						No. off	Matl Spec.	Cl. of Equip. M.R. L.M.	Plate No.
		1	2	3	4	5	6				
27QM/4143197	DOWTY C.4603Y Mk.E	VALVE,	thermal relief	...	...	...	...	2	—	A	S.15
27QM/4143183	DOWTY D.401Y Mk.G	VALVE,	sequence, nosewheel	...	...	...	...	1	—	A	S.15
27QM/4143189	D.401Y Mk.H	VALVE,	sequence, nosewheel door	...	...	...	...	1	—	A	S.15
27Q/4143142	DOWTY D.2568Y	VALVE,	pressure relief, reservoir (For Dowty spares see AP.4515B, Vol. 3)	...	...	...	...	1	—	A	S.14
27W/4619630	LOCKHEED UMC.704	VALVE,	non-return, 1/4" BSP	...	...	...	...	2	—	A	S.14
27BM/25	MESSIER 8557	VAEVE,	non-return, pressurisation	...	...	...	...	1	—	A	S.14
28Y/9701165	H.PRESSURE COMPS. GYP.A58 E.B6.73.27	VALVE,	charging	...	...	...	...	2	—	C	S.14
39003	E B6.73.303	<b>PIPES, HYDRAULIC, BETWEEN PRESSURE BULK- HEAD AND FRAME 12A, ASSEMBLY</b>						—	—	—	—
39004	E.B6.73.309	Spares for:—						—	—	—	—
28D/9140645	A25/10C	CLAMP,	pipe	...	...	...	...	3	—	C	S.14
28D/9435710	A25/11C	CLAMP,	pipe	...	...	...	...	1	—	C	S.14
28M/1278190	AGS.2001/C/1	Attaching parts for E.B6.73.303 and E.B6.73.309:—						—	—	—	—
1880	EEAS.91/1	Bolt,	2 BA	...	...	...	...	1	—	C	
5260	EEAS.143/5H	Bolt,	2 BA	...	...	...	...	1	—	C	
5258	EEAS.143/6H	Nut,	2 BA	...	...	...	...	2	—	C	
5K/6323922	AS.4526/3	CLIP,	pipe, special, double	...	...	...	...	3	L.16	C	
5K/4345976	AS.4526/4	CLIP,	pipe, single, 3/8" o/d., bonding	...	...	...	...	5	L.72	C	
28E/9130611	AS.5419/4	CLIP,	pipe, single, 1/2" o/d., bonding	...	...	...	...	4	L.72	C	
28D/1010658	A25/1B	Alternative clips (Alt. R60/39—Mod. 5100)						—	—	—	—
28M/1278189	AGS.2001/B/1	CLIP,	3/8"	...	...	...	...	5	—	C	
5259	EEAS.21/2ERH	CLIP,	1/2"	...	...	...	...	1	—	C	
5K/7000206	AS.3360/B4B	CLIP,	1/4"	...	...	...	...	2	—	C	
731	AGS.2097/B4B E.A3.73.237	Attaching parts for EEAS.91/1, EEAS.143/5H or EEAS.143/6H:—						—	—	—	—
734	E.A3.73.1185 E.A3.73.243	Bolt,	4 BA	...	...	...	...	1	—	C	
735	E.A3.73.1187 E.A3.73.245	Nut,	4 BA	...	...	...	...	1	—	C	
	or E.A3.73.1189	Washer,	special	...	...	...	...	1	L.72	C	
	or E.A3.73.1189	LEAD,	bonding	...	...	...	...	3	—	C	
	or E.A3.73.1189	LEAD,	bonding (Alt. R60/39—Mod. 5100)	...	...	...	...	2	—	LM	
	or E.A3.73.1189	PIPE,	assembly, from pressure bulkhead to non- return valve at frame 12, hand pump pressure line	...	...	...	...	1	DTD.5019	C	S.14
	or E.A3.73.1189	PIPE,	assembly (Alt. R60/80—Mod. 5100)	...	...	...	...	1	DTD.5019	LM	
	or E.A3.73.1189	PIPE,	assembly, from running coupling at nose- wheel selector to running coupling at wheel well wall, nosewheel jack "up" line	...	...	...	...	1	DTD.5019	C	S.14
	or E.A3.73.1189	PIPE,	assembly (Alt. R60/80—Mod. 5100)	...	...	...	...	1	DTD.5019	LM	
	or E.A3.73.1189	PIPE,	assembly, from running coupling at nose- wheel selector to running coupling at wheel well wall, nosewheel jack "down" line	...	...	...	...	1	DTD.5019	C	S.14
	or E.A3.73.1189	PIPE,	assembly (Alt. R60/80—Mod. 5100)	...	...	...	...	1	DTD.5019	LM	

**SERVICES  
HYDRAULIC EQUIPMENT IN FRONT FUSELAGE**

Ref. No.	Part No.	Description						No. off	Matl Spec.	Cl. of Equip. M.R. L.M.	Plate No.
		1	2	3	4	5	6				
1607	E.A3.73.247	PIPE, assembly, port brake, from pressure bulkhead to frame 12A						1	DTD.5019	C	S.14
	or										
1630	E.A3.73.1191 E.A3.73.249	PIPE, assembly (Alt. R60/80—Mod. 5100) ... PIPE, assembly, from coupling on frame 12 to pressure bulkhead, supply line						1 1	DTD.5019 DTD.5019	LM C	S.14
	or										
1631	E.A3.73.1193 E.A3.73.251	PIPE, assembly (Alt. R60/80—Mod. 5100) ... PIPE, assembly, starboard brake, from pressure bulkhead to frame 12A						1 1	DTD.5019 DTD.5019	LM C	S.14
	or										
1633	E.A3.73.1195 E.A3.73.255	PIPE, assembly (Alt. R60/80—Mod. 5100) ... PIPE, assembly, from reservoir tee under navigator's compartment floor to pressure bulkhead						1 1	DTD.5019 L.56	LM C	S.14
12979	E.B6.73.295	PIPE, assembly, from filter in hand pump suction line to pressure bulkhead						1	DTD.5019	C	S.14
12980	E.B6.73.297	PIPE, assembly, from reservoir tee under N.B.C. compartment floor to filter, hand pump suction line						1	L.54	C	S.14
12983	E.B6.73.299	PIPE, assembly, from tee to reservoir connection at N.B.C. compartment floor						1	L.54	C	S.14
839	E.A1.73.335	PIPE, assembly, from non-return valve forward of frame 12A to accumulator and selector tee, hand pump pressure line						1	DTD.5019	C	S.14
	or										
5928	E.A3.73.1197 E.A3.73.785	PIPE, assembly (Alt. R60/80—Mod. 5100) ... PIPE, assembly, hydraulic gauge, between pressure bulkhead and frame 12A						1 1	DTD.5019 DTD.5019	LM C	S.14
12981	E.B6.73.315	TEE, special, under N.B.C. floor for reservoir connection						1	—	C	S.14
	EEAS.237/17CH	WASHER, "D" (Alt. R60/39—Mod. 5100) ...						4	S.511	—	
	EEAS.239/1CH	WASHER, "D" (Alt. R60/39—Mod. 5100) ...						4	S.511	—	
	E.B6.73.29	PIPES, HYDRAULIC, ON FRAME 12, ASSEMBLY ...						—	—	—	
		Spares for:—									
12982	E.B6.73.301	BODY, banjo, special ...						1	L.85	C	
1880	EEAS.91/1	CLIP, pipe, double ...						1	L.16	C	
5258	EEAS.143/6H	CLIP, pipe, single, 1/2" o/d, bonding ...						10	L.72	C	
	or	Alternative clips (Alt. R60/39—Mod. 5100) ...									
5K/4345976	AS.4526/4	CLIP, 1/2" ...						4	—	C	
28E/9130611	AS.5419/4	CLIP, 1/2" ...						2	—	C	
		Attaching parts for EEAS.91/1 and EEAS.143/6H:—									
28D/1010658	A25/1B	Bolt, 4 BA ...						1	—	C	
28M/1278189	AGS.2001/B/1	Nut, 4 BA ...						1	—	C	
12030	EEAS.21/2/ER	Washer, special ...						1	L.72	C	
28F/8011809	AGS.1104/B	CONE, adaptor ...						1	—	C	
28F/8011811	AGS.1118/B	CONE, tee ...						1	—	C	
28F/8011883	AGS.1102/B	CONE, union, body ...						2	—	C	
28F/9513028	AGS.1107/E	CONE, union, reducing ...						1	—	C	
28F/8011896	AGS.1142/C	NIPPLE, adaptor ...						1	—	C	
28F/8011886	AGS.1142/D	NIPPLE, adaptor ...						1	—	C	
5K/7000230	AS.3360/B3B	LEAD, bonding ...						4	—	C	
	or										
6150-99-7135-745	AGS.2097/B3B	LEAD, bonding ...						1	—	C	

**SERVICES**  
**HYDRAULIC EQUIPMENT IN FRONT FUSELAGE**

Ref. No.	Part No.	Description						No. off	Matl Spec.	Cl. of Equip. M.R. L.M.	Plate No.
		1	2	3	4	5	6				
1634	E.A3.73.227	PIPE, assembly, from tee cone on frame 12 to non-return valve, hand pump pressure line						1	DTD.5019	C	S.14
	or										
1635	E.A3.73.1199 E.A3.73.229	PIPE, assembly (Alt. R60/80—Mod. 5100) ... PIPE, assembly, from accumulator tee cone to running coupling on frame 12, supply line						1 1	DTD.5019 DTD.5019	LM C	S.14
	or										
1608	E.A3.73.1201 E.A3.73.231	PIPE, assembly (Alt. R60/80—Mod. 5100) ... PIPE, assembly, from non-return valve to accumulator tee cone						1 1	DTD.5019 DTD.5019	LM C	S.14
	or										
1610	E.A3.73.1203 E.A3.73.235	PIPE, assembly (Alt. R60/80—Mod. 5100) ... PIPE, assembly, from tee cone to accumulator cone						1 1	DTD.5019 DTD.5019	LM C	S.14
	or										
28F/8011884	E.A3.73.1207	PIPE, assembly (Alt. R60/80—Mod. 5100) ...						1	DTD.5019	LM	
28F/9140970	AGS.1140/C	PLUG, nipple ...						1	—	C	
28F/9709685	AGS.904/C	SLEEVE, outer ...						1	—	C	
	AGS.1108/B	UNION, reducing ...						1	—	C	
	EEAS.237/17CH	WASHER, "D" (Alt. R60/39—Mod. 5100) ...						6	S.511	—	
	E.B6.73.355	PIPES, HYDRAULIC, FRAME 1 TO 3, ASSEMBLY (PRE-MOD. 3513)						—	—	—	
		Spares for:—									
2446	E.A3.73.221	BRACKET, relay valve mounting ...						1	T.45	C	S.14
		Attaching parts for E.A3.73.221:—									
28D/9140647	A25/14C	Bolt, 2 BA ...						2	—	C	
	1611	CLAMP, pipe, special ...						1	—	C	S.14
		Attaching parts for E.A3.73.157:—									
28D/1011019	A25/8C	Bolt, 2 BA ...						2	—	C	
	1727	CLAMP, pipe, special ...						1	—	C	S.14
		Attaching parts for E.A3.73.577:—									
28D/1011019	A25/8C	Bolt, 2 BA ...						2	—	C	
28M/9403520	A27/CP	Nut, 2 BA ...						2	—	C	
28W/1010155	AGS.162/B	Washer, spring ...						2	—	C	
	1880	CLIP, pipe, double ...						1	L.16	C	
	5260	CLIP, pipe, single, 3/8" o/d, bonding ...						21	L.72	C	
	5258	CLIP, pipe, single, 1/2" o/d, bonding ...						1	L.72	C	
	5348	CLIP, pipe, single, 3/4" o/d, bonding ...						3	L.72	C	
		Alternative clips (Alt. R60/39—Mod. 5100) ...									
5K/6323922	AS.4526/3	CLIP, 3/8" ...						8	—	C	
5K/4345976	AS.4526/4	CLIP, 1/2" ...						1	—	C	
5K/4345977	AS.4526/6	CLIP, 3/4" ...						1	—	C	
28E/9130610	AS.5419/3	CLIP, 3/8" ...						9	—	C	
28E/9130685	AS.5419/6	CLIP, 3/4" ...						1	—	C	
		Attaching parts for EEAS.91/1, EEAS.143/5H, EEAS.143/6H and EEAS.143/8H:—									
28D/1010658	A25/1B	Bolt, 4 BA ...						1	—	C	
	or										
28D/1008149	A25/8B	Bolt, 4 BA ...						1	—	C	
28M/1278189	AGS.2001/B/1	Nut, 4 BA ...						1	—	C	
	5259	EEAS.21/2/ERH						1	L.72	C	
		Washer, special ...						1	—	C	
28F/9129085	AGS.1102/A	CONE, union, body ...						1	—	C	
28F/9440881	AGS.1118/A	CONE, tee ...						1	—	C	
28F/9488812	AGS.1120/8	CONE, tee ...						1	—	C	

**SERVICES  
HYDRAULIC EQUIPMENT IN FRONT FUSELAGE**

Ref. No.	Part No.	Description						No. off	Matl Spec.	Cl. of Equip. M.R. L.M.	Plate No.
		1	2	3	4	5	6				
28F/1013401	AGS.1107/A	CONE, union, reducing ... ..						1	—	C	
28F/9513028	AGS.1107/E	CONE, union, reducing ... ..						1	—	C	
5K/7000230	AS.3360/B3B	LEAD, bonding ... ..						6	—	C	
5K/7000231	AS.3360/B3C	LEAD, bonding ... ..						1	—	C	
6150-99-7135-745	AGS.2097/B3B	LEAD, bonding (Alt. R60/39—Mod. 5100) ...						1	—	C	
	AGS.2097/B3C	LEAD, bonding (Alt. R60/39—Mod. 5100) ...						2	—	LM	
28F/1013599	AGS.1142/A	NIPPLE, adaptor ... ..						2	—	LM	
1613	E.A.3.73.259	PIPE, assembly, from relay valve to differential unit tee cone, supply line						1	DTD.5019	C	S.14
1614	E.A.3.73.261	PIPE, assembly, from union cone at frame 1 to differential unit, return line						1	DTD.5019	C	S.14
1615	or E.A.3.73.1157	PIPE, assembly (Alt. R60/80—Mod. 5100) ...						1	DTD.5019	LM	
	E.A.3.73.263	PIPE, assembly, from differential unit to tee cone supply line						1	DTD.5019	C	S.14
1616	or E.A.3.73.1159	PIPE, assembly (Alt. R60/80—Mod. 5100) ...						1	DTD.5019	LM	
	E.A.3.73.265	PIPE, assembly, from union cone at frame 1 to union cont at frame 3, return line						1	L.56	C	S.14
1617	E.A.3.73.267	PIPE, assembly, from differential unit to union cone at frame 3, port brake line						1	DTD.5019	C	S.14
1618	or E.A.3.73.1161	PIPE, assembly (Alt. R60/80—Mod. 5100) ...						1	DTD.5019	LM	
	E.A.3.73.269	PIPE, assembly, from differential unit tee cone to union cone at frame 3, supply line						1	DTD.5019	C	S.14
1619	or E.A.3.73.1163	PIPE, assembly (Alt. R60/80—Mod. 5100) ...						1	DTD.5019	LM	
	E.A.3.73.271	PIPE, assembly, from differential unit to union cone at frame 3, starboard brake line						1	DTD.5019	C	S.14
5838	or E.A.3.73.1165	PIPE, assembly (Alt. R60/80—Mod. 5100) ...						1	DTD.5019	LM	
	E.A.3.73.825	PIPE, assembly, from hydraulic pressure gauge tee cone to valve fitting on frame 1						1	DTD.5019	C	S.14
5837	E.A.3.73.829	PIPE, assembly, from hydraulic pressure gauge tee cone to union cone at frame 1						1	DTD.5019	C	S.14
5858	E.A.2.73.1137	PIPE, assembly, from union cone at frame 1 to union cone at frame 3-4, pressure gauge line						1	DTD.5019	C	S.14
27362	E.B.6.73.357	PIPE, assembly, from relay valve to pressure gauge (Pre-Mod. 3513)						1	DTD.5019	C	
27361	E.B.6.73.359	PIPE, assembly, from pressure gauge to tee cone						1	DTD.5019	C	S.14
28F/9128943	AGS.1114/B	SLEEVE, screwed, bulkhead ... ..						1	—	C	
Attaching parts for AGS.1114/B:—											
28F/9428453	AGS.1186/B	Seal, bonded ... ..						1	—	C	
28F/4051641	AGS.1115/3	Washer, plate ... ..						1	—	C	
981	EEAS.20/2DR	TAB, locking, 20 SWG ... ..						3	—	C	
	EEAS.237/17CH E.B.7.73.389	WASHER, "D" (Alt. R60/39—Mod. 5100) ...						14	S.511	—	
<b>PIPES, HYDRAULIC, FRAME 1 TO 3, ASSEMBLY (MOD. 3513)</b>											
Spares for this assembly are identical with those for assembly Part No. E.B.6.73.355 on page 55.3 except for the following deletion and additions											
Delete:—											
27362	E.B.6.73.357	PIPE, assembly, from relay valve to pressure gauge						1	DTD.5019	C	



**SERVICES**  
**HYDRAULIC EQUIPMENT IN FRONT FUSELAGE**

Ref. No.	Part No.	1	2	3	4	5	6	Description	No. off	Matl Spec.	Cl. of Equip.	Plate No.
											M.R. L.M.	
28F/1036557	AGS.1111/C							<b>CONE</b> , union body, flanged, bulkhead, pressure return line	1	—	C	
								Attaching parts for AGS.1111/C:—				
28D/9133011	A25/2C							Bolt, 2 BA ... ..	6	—	C	
1620	EEAS.69/4							Gasket, bulkhead ... ..	1	Neo-K-Tex	C	
28M/9403520	A27/CP							Nut, 2 BA ... ..	6	—	C	
28F/9128929	AGS.1115/4							Washer, plate ... ..	1	—	C	
28W/9416643	SP.47/C							Washer, spring ... ..	6	—	C	
28F/1059217	AGS.1111/D							<b>CONE</b> , union body, flanged, bulkhead, hand pump suction line	1	—	C	
								Attaching parts for AGS.1111/D:—				
28D/9133011	A25/2C							Bolt, 2 BA ... ..	6	—	C	
12985	EEAS.69/6							Gasket, bulkhead ... ..	1	Neo-K-Tex	C	
28M/9403520	A27/CP							Nut, 2 BA ... ..	6	—	C	
28F/10603	AGS.1115/6							Washer, plate ... ..	1	—	C	
28W/9416643	SP.47/C							Washer, spring ... ..	6	—	C	
13018	E.A3.73.183							<b>PIPE</b> , assembly, from union cone aft of frame 3 to union cone aft of frame 5, hand pump pressure line	1	DTD.5019	C	S.14
	or							<b>PIPE</b> , assembly (Alt. R60/80—Mod. 5100) ...	1	DTD.5019	LM	
760	E.A3.73.187							<b>PIPE</b> , assembly, from union cone aft of frame 5 to flanged cone at pressure bulkhead, hand pump pressure line	1	DTD.5019	C	S.14
	or							<b>PIPE</b> , assembly (Alt. R60/80—Mod. 5100) ...	1	DTD.5019	LM	
1621	E.A3.73.1171							<b>PIPE</b> , assembly, from union cone aft of frame 3 to union cone aft of frame 5, return line	1	L.56	C	S.14
	E.A3.73.283							<b>PIPE</b> , assembly, from union cone aft of frame 3 to union cone aft of frame 5, port brake line	1	DTD.5019	C	S.14
1623	E.A3.73.285							<b>PIPE</b> , assembly (Alt. R60/80—Mod. 5100) ...	1	DTD.5019	LM	
	or							<b>PIPE</b> , assembly, from union cone aft of frame 3 to union cone aft of frame 5, supply line	1	DTD.5019	C	S.14
1624	E.A3.73.1173							<b>PIPE</b> , assembly (Alt. R60/80—Mod. 5100) ...	1	DTD.5019	LM	
	E.A3.73.287							<b>PIPE</b> , assembly, from union cone aft of frame 3 to union cone aft of frame 5, starboard brake line	1	DTD.5019	C	S.14
1625	E.A3.73.1175							<b>PIPE</b> , assembly (Alt. R60/80—Mod. 5100) ...	1	DTD.5019	LM	
	or							<b>PIPE</b> , assembly, from union cone aft of frame 3 to union cone aft of frame 5, starboard brake line	1	DTD.5019	C	S.14
1625	E.A3.73.289							<b>PIPE</b> , assembly (Alt. R60/80—Mod. 5100) ...	1	DTD.5019	LM	
	or							<b>PIPE</b> , assembly, from union cone aft of frame 3 to union cone aft of frame 5, starboard brake line	1	DTD.5019	C	S.14
1626	E.A3.73.1177							<b>PIPE</b> , assembly (Alt. R60/80—Mod. 5100) ...	1	DTD.5019	LM	
	or							<b>PIPE</b> , assembly, from union cone aft of frame 3 to union cone aft of frame 5, starboard brake line	1	DTD.5019	C	S.14
1626	E.A3.73.291							<b>PIPE</b> , assembly, from union cone aft of frame 5 to flanged cone at pressure bulkhead, return line	1	L.56	C	S.14
1627	E.A3.73.293							<b>PIPE</b> , assembly, from union cone aft of frame 5 to flanged cone at pressure bulkhead, port brake line	1	DTD.5019	C	S.14
	or							<b>PIPE</b> , assembly (Alt. R60/80—Mod. 5100) ...	1	DTD.5019	LM	
1628	E.A3.73.1179							<b>PIPE</b> , assembly, from union cone aft of frame 5 to flanged cone at pressure bulkhead, supply line	1	DTD.5019	C	S.14
	or							<b>PIPE</b> , assembly (Alt. R60/80—Mod. 5100) ...	1	DTD.5019	LM	
1629	E.A3.73.1181							<b>PIPE</b> , assembly, from union cone aft of frame 5 to flanged cone at pressure bulkhead	1	DTD.5019	C	S.14
	or							<b>PIPE</b> , assembly (Alt. R60/80—Mod. 5100) ...	1	DTD.5019	LM	
1629	E.A3.73.297							<b>PIPE</b> , assembly, from union cone aft of frame 5 to flanged cone at pressure bulkhead	1	DTD.5019	C	S.14
	or							<b>PIPE</b> , assembly (Alt. R60/80—Mod. 5100) ...	1	DTD.5019	LM	
1629	E.A3.73.1183							<b>PIPE</b> , assembly (Alt. R60/80—Mod. 5100) ...	1	DTD.5019	LM	

**SERVICES**  
**HYDRAULIC EQUIPMENT IN FRONT FUSELAGE**

Ref. No.	Part No.	Description	No. off	Matl Spec.	Cl. of Equip.	Plate No.
					M.R. L.M.	
5942	E.A3.73.781	PIPE, assembly, from union cone aft of frame 3 to union cone aft of frame 5, pressure gauge	1	DTD.5019	C	S.14
5943	E.A3.73.783	PIPE, assembly, from union cone aft of frame 5 to flanged cone at pressure bulkhead, pressure gauge line	1	DTD.5019	C	S.14
12986	E.B6.73.267	PIPE, assembly, from union cone aft of frame 3 to union cone aft of frame 5, hand pump suction line	1	L.54	C	S.14
39992	E.B6.73.375	PIPE, assembly, from union cone aft of frame 5 to flanged cone at pressure bulkhead, hand pump suction line	1	L.54	C	S.14
980	EEAS.20/1DR	TAB, locking, 20 SWG	4	L.72	C	
981	EEAS.20/2DR	TAB, locking, 20 SWG	10	L.72	C	
	EEAS.237/17CH	WASHER, "D" (Alt. R60/39—Mod. 5100)	2	S.511	—	
	EEAS.239/1CH	WASHER, "D" (Alt. R60/39—Mod. 5100)	6	S.511	—	
	E.B6.73.259	<b>PIPES, HYDRAULIC, FROM HAND PUMP TO FRAMES 3-4, ASSEMBLY</b> Spares for:—	—	—	—	
761	E.A1.73.289	BODY, banjo, special	1	—	C	
12423	E.B6.73.263	BODY, banjo, special	1	L.85	C	S.14
		Attaching parts for E.A1.73.289 and E.B6.73.263:—				
28F/9423229	AGS.1135/C	Bolt, banjo	1	—	C	
28F/9429532	AGS.1186/C	Seal, bonded	2	—	C	
5258	EEAS.143/6H	CLIP, pipe, single, 1/2" o/d, bonding	2	L.72	C	S.15
5543	EEAS.143/10H	CLIP, pipe, single, 1/2" o/d, bonding	2	L.72	C	
	or	Alternative clips (Alt. R60/39—Mod. 5100)				
5K/4345976	AS.4526/4	CLIP, 1/2"	1	—	C	
5K/4345978	AS.4526/8	CLIP, 1/2"	1	—	C	
28E/9130611	AS.5419/4	CLIP, 1/2"	1	—	C	
28E/9130689	AS.5419/8	CLIP, 1/2"	1	—	C	
		Attaching parts for EEAS.143/6H and EEAS.143/10H:—				
28D/1010658	A25/1B	Bolt, 4 BA	1	—	C	
28M/1278189	AGS.2001/B/1	Nut, 4 BA	1	—	C	
20778	EEAS.20/2ER	Tab, locking	1	—	C	
28W/9419465	SP.13/B	Washer	1	—	C	
5K/7000230	AS.3360/B3B	LEAD, bonding	2	—	C	
	or					
6150-99-7135-745	AGS.2097/B3B	LEAD, bonding (Alt. R60/39—Mod. 5100)	2	—	C	
763	E.A3.73.301	PIPE, assembly, from hand pump to union cone aft of frame 3, pressure line	1	DTD.5019	C	S.14
	or					
	E.A3.73.1167	PIPE, assembly (Alt. R60/80—Mod. 5100)	1	DTD.5019	LM	
12988	E.B6.73.261	PIPE, assembly, from hand pump to union cone aft of frame 3, suction line	1	L.54	C	S.14
	EEAS.237/17CH	WASHER, "D" (Alt. R60/39—Mod. 5100)	3	S.511	—	
	E.A3.73.739	<b>PIPES, HYDRAULIC, IN NOSEWHEEL BAY, ASSEMBLY</b> (For Aircraft Not Embodying Mod. 5100)	—	—	—	
	E.A3.73.847	ADAPTOR, bulkhead connection	1	—	—	S.15
		Attaching parts for E.A3.73.847:—				
28D/9419452	A25/3B	Bolt, 4 BA	3	—	C	
28M/1278189	AGS.2001/B/1	Nut, 4 BA	3	—	C	
28W/9419474	SP.15/B	Washer	3	—	C	
	E.A3.73.849	Washer, plate	1	—	—	S.15

**SERVICES**  
**HYDRAULIC EQUIPMENT IN FRONT FUSELAGE**

Ref. No.	Part No.	Description	No. off	Matl Spec.	Cl. of Equip.		Plate No.
					M.R.	L.M.	
		1 2 3 4 5 6					
20796	E B6.73.249	<b>BRACKET</b> , thermal relief valve ... ..	1	—	C		S.15
5260	EEAS.143/5H	<b>CLIP</b> , pipe, single, 3/8" o/d., bonding ... ..	14	L.72	C		S.15
5258	EEAS.143/6H	<b>CLIP</b> , pipe, single, 1/2" o/d., bonding ... ..	5	L.72	C		
1242	E.A3.73.773	<b>CLIP</b> , pipe, special double, 1/2" BSP ... ..	4	L.72	C		S.15
		Attaching parts for EEAS.143/5H, EEAS.143/6H and E.A3.73.773:—					
28D/1010658	A25/1B	Bolt, 4 BA ... ..	1	—	C		
28M/1278189	AGS.2001/B/1	Nut, 4 BA ... ..	1	—	C		
5259	EEAS.21/2ERH	Washer, special ... ..	1	L.72	C		S.15
737	E.A1.73.179	<b>CLIP</b> , pipe, special, flexible, 1/2" BSP (Pre-Mod. 5190)	3	—	C		S.15
6119336	E.A3.73.1461	<b>CLIP</b> , pipe, flexible (Mod. 5190) ... ..	3	—	C		
		Attaching parts for E.A1.73.179:—					
28D/1011019	A25/8C	Bolt, 2 BA ... ..	2	—	C		
	or						
28D/9140644	A25/9C	Bolt, 2 BA ... ..	2	—	C		
28M/9403520	A27/CP	Nut, 2 BA ... ..	2	—	C		
28W/1007983	AGS.162/C	Washer, spring ... ..	2	—	C		
829	E.A1.73.181	<b>CLIP</b> , pipe, special, thermal relief valve ... ..	1	—	C		S.15
		Attaching parts for E.A1.73.181:—					
28D/9435710	A25/11C	Bolt, 2 BA ... ..	2	—	C		
28M/9403520	A27/CP	Nut, 2 BA ... ..	2	—	C		
28W/1007983	AGS.162/C	Washer ... ..	2	—	C		
738	E.A1.73.213	<b>CLIP</b> , pipe, special ... ..	1	—	C		S.15
		Attaching parts for E.A1.73.213:—					
28D/1212939	A61/1C	Bolt, 2 BA ... ..	1	—	C		
28M/4095911	A29/CP	Nut, 2 BA ... ..	1	—	C		
28W/1007983	AGS.162/C	Washer, spring ... ..	1	—	C		
739	E.A1.73.245	<b>CLIP</b> , pipe, special, flexible, 1/2" BSP (Pre-Mod. 5190)	1	—	C		S.15
6119337	E.A3.73.1459	<b>CLIP</b> , pipe, flexible (Mod. 5190) ... ..	1	—	C		
		Attaching parts for E.A1.73.245:—					
28D/9453970	A25/15C	Bolt, 2 BA ... ..	2	—	C		
28M/9403520	A27/CP	Nut, 2 BA ... ..	2	—	C		
28W/9419475	SP.15/C	Washer ... ..	2	—	C		
28W/1007983	AGS.162/C	Washer ... ..	2	—	C		
20797	E.B6.73.251	<b>CLIP</b> , thermal relief valve ... ..	1	L.72	C		S.15
28F/9440881	AGS.1118/A	<b>CONE</b> , tee ... ..	1	—	C		
28F/8011811	AGS.1118/B	<b>CONE</b> , tee ... ..	2	—	C		
28F/9463543	AGS.1120/1	<b>CONE</b> , tee ... ..	2	—	C		
28F/1013402	AGS.1111/B	<b>CONE</b> , union body, flanged ... ..	2	—	C		
		Attaching parts for AGS.1111/B:—					
28D/1010658	A25/1B	Bolt, 4 BA ... ..	6	—	C		
28M/1278189	AGS.2001/B/1	Nut, 4 BA ... ..	6	—	C		
28F/9128928	AGS.1115/2	Washer ... ..	2	—	C		
9207	E.A1.71.111	<b>FAIRLEAD</b> ... ..	1	—	C		S.15
		Attaching parts for E.A1.71.111:—					
28D/1008149	A25/2B	Bolt, 4 BA ... ..	4	—	C		
28M/9403519	A27/BP	Nut, 4 BA ... ..	4	—	C		
28W/1010155	AGS.162/B	Washer, spring ... ..	4	—	C		
5K/7000230	AS.3360/B3B	<b>LEAD</b> , bonding ... ..	8	—	C		
4512	E.A3.73.667	<b>PIPE</b> , assembly, from noseheel jack thermal relief valve, to nosewheel door jack thermal relief valve and return line tee cone	1	DTD.5019	C		S.15

**SERVICES  
HYDRAULIC EQUIPMENT IN FRONT FUSELAGE**

Ref. No.	Part No.	Description						No. off	Matl Spec.	Cl. of Equip. M.R. L.M.	Plate No.
		1	2	3	4	5	6				
4513	E.A3.73.669	PIPE, assembly, from thermal relief valve tee cone at wheel well wall, to hydraulic reservoir cone forward of frame 12, return line Modify as required (SCD.79437) (SRIM.3533) (Mod.4799)						1	DTD.5019	C	S.15
4514	E.A3.73.671	PIPE, assembly, from nosewheel door jack thermal relief valve to nosewheel jack thermal relief valve and return line tee cone						1	DTD.5019	C	S.15
4511	E.A3.73.673	PIPE, assembly, from sequence valve and nosewheel jack supply tee cone, to thermal relief valve nosewheel "up" line						1	DTD.5019	C	S.15
750	E.A3.73.741	PIPE, assembly, from flanged union cone at wheel well wall, to sequence valve and nosewheel undercarriage jack tee cone "down" line						1	DTD.5019	C	S.15
749	E.A3.73.743	PIPE, assembly, from flanged union cone at wheel well wall, to sequence valve and nosewheel undercarriage door jack tee cone "up" line						1	DTD.5019	C	S.15
740	E.A3.73.745	PIPE, assembly, from nosewheel "up" supply line to tee cone, to sequence valve						1	DTD.5019	C	S.15
741	E.A3.73.747	PIPE, assembly, from sequence valve, to thermal relief valve and nosewheel undercarriage jack tee cone "up" line						1	DTD.5019	C	S.15
751	E.A3.73.749	PIPE, assembly, from thermal relief valve and sequence valve tee cone, to nosewheel undercarriage jack "up" line						1	DTD.5019	C	S.15
752	E.A3.73.753	PIPE, assembly, from nosewheel undercarriage jack supply tee cone to sequence valve undercarriage "down" line						1	DTD.5019	C	S.15
4782	E.A3.73.755	PIPE, assembly, from supply tee cone to nosewheel jack bulkhead adaptor "down" line						1	DTD.5019	C	S.15
743	E.A3.73.757	PIPE, assembly, from sequence valve to nosewheel door jack and to thermal relief valve tee cone, doors "open" line						1	DTD.5019	C	S.15
745	E.A3.73.761	PIPE, assembly, from sequence valve and nosewheel door jack tee cone, to thermal relief valve, "open" line						1	DTD.5019	C	S.15
4783	E.A3.73.763	PIPE, assembly, from supply tee bulkhead adaptor to nosewheel undercarriage jack union body, "down" line						1	DTD.5019	C	S.15
4495	E.A3.73.769	PIPE, assembly, from supply and sequence valve tee cone, to nosewheel undercarriage door jack union body, doors "closed" line						1	DTD.5019	C	S.15
5516	E.A3.73.771	PIPE, assembly, from sequence valve and thermal relief valve tee cone, to nosewheel door jack union body, "open" line						1	DTD.5019	C	S.15
981	EEAS.20/2DR	TAB, locking 20 SWG						8	L.72	C	S.15
28F/1010341	AGS.1106/B	UNION, body						3	—	C	
28F/8011887	AGS.1113/B	UNION, body, flanged						1	—	C	
Attaching parts for AGS.1113/B:—											
28D/9419452	A25/3B	Bolt, 4 BA						3	—	C	
28M/1278189	AGS.2001/B/1	Nut, 4 BA						3	—	C	
28W/9419474	SP.15/B	Washer						3	—	C	
28F/9128928	AGS.1115/2	Washer, plate						1	—	C	
28F/1013743	AGS.1167/B	UNION, elbow, assembly, 90°						2	—	C	

**SERVICES**  
**HYDRAULIC EQUIPMENT IN FRONT FUSELAGE**

Ref. No.	Part No.	Description						No. off	Matl Spec.	Cl. of Equip. M.R. L.M.	Plate No.
		1	2	3	4	5	6				
	E.A3.73.1289	<b>PIPES, HYDRAULIC, IN NOSEWHEEL BAY, ASSEMBLY</b> (For Aircraft Embodying Mod. 5100) Spares for this assembly are identical to assembly Part No. E.A3.73.739 on page SS.8 except for the following deletions and additions Delete:—						—	—	—	
5260	EEAS.143/5H	CLIP	...	...	...	...	...	14	—	C	
5258	EEAS.143/6H	CLIP	...	...	...	...	...	5	—	C	
737	E.A1.73.179	CLIP, flexible pipe	...	...	...	...	...	3	—	C	
739	E.A1.73.245	CLIP, flexible pipe	...	...	...	...	...	1	—	C	
SK/7000230	AS.3360/B3B	LEAD, bonding	...	...	...	...	...	8	—	C	
750	E.A3.73.741	PIPE, assembly	...	...	...	...	...	1	—	C	
749	E.A3.73.743	PIPE, assembly	...	...	...	...	...	1	—	C	
740	E.A3.73.745	PIPE, assembly	...	...	...	...	...	1	—	C	
741	E.A3.73.747	PIPE, assembly	...	...	...	...	...	1	—	C	
751	E.A3.73.749	PIPE, assembly	...	...	...	...	...	1	—	C	
4495	E.A3.73.769	PIPE, assembly	...	...	...	...	...	1	—	C	
752	E.A3.73.753	PIPE, assembly	...	...	...	...	...	1	—	C	
4782	E.A3.73.755	PIPE, assembly	...	...	...	...	...	1	—	C	
743	E.A3.73.757	PIPE, assembly	...	...	...	...	...	1	—	C	
5516	E.A3.73.771	PIPE, assembly	...	...	...	...	...	1	—	C	
4783	E.A3.73.763	PIPE, assembly	...	...	...	...	...	1	—	C	
SK/7000230	AS.3360/B3B	LEAD, bonding	...	...	...	...	...	8	—	C	
5259	EEAS.21/2ERH	WASHER, "D"	...	...	...	...	...	33	—	C	
		Add:—									
SK/6323922	AS.4526/3	CLIP, $\frac{3}{8}$ "	(Alt. R60/39—Mod. 5100)	...	...	...	...	5	—	C	
SK/4345976	AS.4526/4	CLIP, $\frac{1}{2}$ "	(Alt. R6039—Mod. 5100)	...	...	...	...	4	—	C	
28E/9130610	AS.5419/3	CLIP, $\frac{3}{8}$ "	(Alt. R60/39—Mod. 5100)	...	...	...	...	6	—	C	
6119336	E.A3.73.1461	CLIP, flexible pipe	(Alt. R60/32—Mod. 5100)	...	...	...	...	3	S.97	C	
6119337	E.A3.73.1459	CLIP, flexible pipe	(Alt. R60/32—Mod. 5100)	...	...	...	...	1	S.97	C	
6150-99-7135-745	AGS.2097/B3B	LEAD, bonding	(Alt. R60/39—Mod. 5100)	...	...	...	...	4	—	C	
	E.A3.73.1209	PIPE, assembly, from nosewheel undercarriage supply tee to wheel well coupling, "down" line (Alt. R60/80—Mod. 5100)							1	DTD.5019	LM
	E.A3.73.1211	PIPE, assembly, from wheel well wall to sequence valve tee, undercarriage "up" line and nosewheel door "closed" line (Alt. R60/80—Mod. 5100)							1	DTD.5019	LM
	E.A3.73.1213	PIPE, assembly, from sequence valve to tee, nosewheel undercarriage "up" line (Alt. R60/80—Mod. 5100)							1	DTD.5019	LM
	E.A3.73.1215	PIPE, assembly, from sequence valve to thermal relief valve tee, nosewheel undercarriage "up" line (Alt. R60/80—Mod. 5100)							1	DTD.5019	LM
	E.A3.73.1217	PIPE, assembly, from thermal relief valve tee to nosewheel jack flexible pipe coupling, "up" line (Alt. R60/80—Mod. 5100)							1	DTD.5019	LM
	E.A3.73.1219	PIPE, assembly, from nosewheel undercarriage jack supply tee to sequence valve, undercarriage "down" line (Alt. R60/80—Mod. 5100)							1	DTD.5019	LM

**SERVICES**  
**HYDRAULIC EQUIPMENT IN FRONT FUSELAGE**

Ref. No.	Part No.	Description						No. off	Matl Spec.	Cl. of Equip. M.R. L.M.	Plate No.
		1	2	3	4	5	6				
	E.A3.73.1229	PIPE, assembly, from nosewheel undercarriage jack supply tee to jack bulkhead connection "down" line (Alt. R60/80 — Mod. 5100)						1	DTD.5019	LM	
	E.A3.73.1231	PIPE, assembly, from bulkhead connection to nose-wheel undercarriage jack flexible pipe coupling "down" line (Alt. R60/80—Mod. 5100)						1	DTD.5019	LM	
	E.A3.73.1223	PIPE, assembly, from thermal relief valve tee to sequence valve, nosewheel door jack "open" line (Alt. R60/80—Mod. 5100) ...						1	DTD.5019	LM	
	E.A3.73.1225	PIPE, assembly from sequence valve tee to nose-wheel door jack flexible pipe coupling, "closed" line (Alt. R60/80—Mod. 5100)						1	DTD.5019	LM	
	E.A3.73.1227	PIPE, assembly, from thermal relief valve tee to nosewheel door jack flexible pipe coupling, "open" line (Alt. R60/80—Mod. 5100)						1	DTD.5019	LM	
	EEAS.237/17CH E.G4.73.105	WASHER, "D" (Alt. R60/39—Mod. 5100) ...						15	S.511	—	
		<b>PIPES, HYDRAULIC, FROM RESERVOIR TO FRAME 12 AND PRESSURE BULKHEAD, ASSEMBLY (MOD. 4799)</b> Spares for:—						—	—	—	
12423	E.B6.73.263	BANJO, body, special ... ..						1	L.85	C	S.14
		Attaching parts for E.B6.73.263:—									
28F/9423229	AGS.1135/C	Bolt, banjo ... ..						1	—	C	
28F/9429636	AGS.1186/3	Seal, bonded ... ..						2	—	C	
9016	E.A2.73.507	BOX, oil collector ... ..						1	—	B/MR	S.14
5260	EEAS.143/5H	CLIP, pipe, single, 3/8" o/d, bonding ... ..						5	L.72	C	
5258	EEAS.143/6H	CLIP, pipe, single, 1/2" o/d, bonding ... ..						8	L.72	C	
5543	EEAS.143/10H	CLIP, pipe, single, 1/2" o/d, bonding ... ..						2	L.72	C	
5544	EEAS.143/21H	CLIP, pipe, single, 1/2" o/d, bonding ... ..						8	L.72	C	
5521	EEAS.143/24H	CLIP, pipe, single, 3/4" o/d, bonding ... ..						4	L.72	C	
	or	Alternative clips (Alt. R60/39—Mod. 5100) ... ..									
5K/6323922	AS.4526/3	CLIP, 3/8" ... ..						5	—	C	
5K/4345976	AS.4526/4	CLIP, 1/2" ... ..						5	—	C	
5K/4345978	AS.4526/8	CLIP, 1/2" ... ..						5	—	C	
5K/4345980	AS.4526/12	CLIP, 3/4" ... ..						4	—	C	
28E/9130689	AS.5419/8	CLIP, 1/2" ... ..						4	—	C	
		Attaching parts for EEAS.143/5H, EEAS.143/6H, EEAS.143/10H, EEAS.143/21H and EEAS.143/24H:—									
28D/1010658	A25/1B	Bolt, 4 BA (As required) ... ..						1	—	C	
28D/9436920	A25/1C	Bolt, 2 BA (As required) ... ..						1	—	C	
28M/1278189	AGS.2001/B/1	Nut, 4 BA (As required) ... ..						1	—	C	
28M/1278190	AGS.2001/C/1	Nut, 2 BA (As required) ... ..						1	—	C	
28W/9419465	SP.13/B	Washer (As required) ... ..						1	—	C	
28W/9419402	SP.13/C	Washer (As required) ... ..						1	—	C	
5259	EEAS.21/2ERH	Washer, special ... ..						1	L.72	C	
5929	E.A3.73.727	CONE, tee, 1/2" x 1/2" x 3/8" ... ..						1	—	C	S.14
28F/8011811	AGS.1118/B	CONE, tee ... ..						1	—	C	
28F/1014970	AGS.1104/A	CONE, adapter (SRIM.3533) (Mod. 4799) ... ..						1	—	C	
28F/8011808	AGS.1104/D	CONE, adapter (SRIM.3533) (Mod. 4799) ... ..						1	—	C	

**SERVICES  
HYDRAULIC EQUIPMENT IN FRONT FUSELAGE**

Ref. No.	Part No.	Description						No. off	Mati Spec.	Cl. of Equip.	Plate No.
		1	2	3	4	5	6			M.R. L.M.	
28F/9439765	AGS.1102/D							1	—	C	
28F/1089217	AGS.1111/D							2	—	C	
28D/9436920	A25/1C							6	—	C	
28M/1006473	A27/CT							6	—	C	
28F/10603	AGS.1115/6							1	—	C	
28W/9416643	SP.47/C							6	—	C	
40149	E.A3.73.313							1	—	C	S.14
6151	E.A1.73.225							1	—	C	
28D/9133011	A25/2C							4	—	C	
28M/9403520	A27/CP							4	—	C	
28W/9416643	SP.47/C							4	—	C	



**SERVICES**  
**HYDRAULIC EQUIPMENT IN FRONT FUSELAGE**

Ref. No.	Part No.	Description	No. off	Matl Spec.	Cl. of Equip.	Plate No.
					M.R. L.M.	
		1 2 3 4 5 6				
	E.B6.73.379	<b>FAIRLEAD</b> ... .. Attaching parts for E B6.73.379:—	2	—	—	S.14
28D/9419397	A25/12C	Bolt, 2 BA ... ..	2	—	C	
28M/1278190	AGS.2001/C/1	Nut, 2 BA ... ..	2	—	C	
28W/9419402	SP.13/C	Washer ... ..	4	—	C	
719	E.A1.73.239	<b>FILTER, CABIN BLOWER NON-RETURN VALVE, ASSEMBLY</b> Consisting of:—	1	—	B	S.14
	E.A1.73.241	<b>BODY</b> , filter ... ..	1	DTD.683	—	S.14
28N/2001711	AGS.2030/6	<b>CIRCEIP</b> , internal ... ..	1	—	C	
5036	E.A1.73.243	<b>GAUZE</b> , 200 mesh ... ..	1	Brass	C	S.14
28F/1013599	AGS.1142/A	<b>NIPPLE</b> , adapter (SRIM.3533) (Mod. 4799) ...	1	—	C	
28F/8011886	AGS.1142/D	<b>NIPPLE</b> , adapter (SRIM.3533) (Mod. 4799) ...	1	—	C	
28F/8011897	AGS.1142/F	<b>NIPPLE</b> , adapter ... ..	5	—	C	
28F/9708189	AGS.1170/A	<b>NIPPLE</b> , adapter (SRIM.3533) (Mod. 4799) ...	1	—	C	
28F/4051592	AGS.1170/F	<b>NIPPLE</b> , adapter (SRIM.3533) (Mod. 4799) ...	1	—	C	
28F/1037686	AGS.2120/D	<b>NIPPLE</b> , adapter (SRIM.3533) (Mod. 4799) ...	1	—	C	
5931	E.B6.73.43	<b>PIPE</b> , assembly, from hydraulic reservoir to tee cone	1	L.56	C	S.14
	or					
	E.G4.73.135	<b>PIPE</b> , assembly (Alt. R60/80—Mod. 5100) ...	1	L.56	LM	
5932	E.B6.73.45	<b>PIPE</b> , assembly, from pressure relief valve to tee cone overflow line	1	L.56	C	S.14
	or					
	E.G4.73.137	<b>PIPE</b> , assembly (Alt. R60/80—Mod. 5100) ...	1	L.56	LM	
5933	E.B6.73.47	<b>PIPE</b> , assembly, from hydraulic reservoir to pressure relief valve overflow line	1	L.56	C	S.14
	or					
	E.G4.73.139	<b>PIPE</b> , assembly (Alt. R60/80—Mod. 5100) ...	1	L.56	LM	
5934	E.B6.73.49	<b>PIPE</b> , assembly, from cabin blower non-return valve to hydraulic reservoir (Pre-Mod. 3390)	1	L.56	C	
40150	E.A3.73.737	<b>PIPE</b> , assembly, from cabin blower non-return valve to hydraulic reservoir (Mod. 3390)	1	DTD.5019	C	S.14
5935	E.B6.73.51	<b>PIPE</b> , assembly, from hydraulic reservoir to union cone forward of frame 10, return line	1	L.56	C	S.14
5936	E.B6.73.53	<b>PIPE</b> , assembly, from hydraulic reservoir to union body forward of frame 10, engine driven pump suction line	1	L.56	C	S.14
5938	E.B6.73.57	<b>PIPE</b> , assembly, from tee cone to oil collector box under N.B.C. compartment floor, overflow line	1	L.56	C	S.14
	or					
	E.G4.73.141	<b>PIPE</b> , assembly (Alt. R60/80—Mod. 5100) ...	1	L.56	LM	
5939	E.B6.73.59	<b>PIPE</b> , assembly, between union cone forward of frame 10, and tee cone forward of frame 12, return line Modify as required (SRIM.3533) (Mod. 4799)	1	L.56	C	S.14
	SCD.79437/4	<b>PIPE</b> , assembly, from tee piece forward of frame 12 to cone, return line (SRIM.3533) (Mod. 4799) 3/8" o/d. x 22 SWG	1	DTD.5019	—	S.14
	SCD.79437/3	<b>PIPE</b> , assembly, from tee piece forward of frame 12 to flanged union cone at frame 12, return line (SRIM.3533) (Mod. 4799) 1/2" o/d. x 20 SWG	1	L.56	—	S.14
	SCD.79437/2	<b>PIPE</b> , assembly, from flanged union cone at frame 12 to cone forward of frame 12, engine driven pump suction line (SRIM.3533) (Mod. 4799) 3/4" o/d. x 20 SWG	1	L.56	—	S.14

**SERVICES**  
**HYDRAULIC EQUIPMENT IN FRONT FUSELAGE**

Ref. No.	Part No.	Description						No. off	Matl Spec.	Cl. of Equip. M.R. L.M.	Plate No.
		1	2	3	4	5	6				
33435	E.B6.73.405	PIPE, assembly, from hydraulic reservoir to adapter nipple at bulkhead, hand pump suction line						1	L.54	C	S.14
33818	E.B6.73.385	PIPE, assembly, between union cones, forward of frame 12, engine driven pump suction line Modify as required (SRIM.3533) (Mod. 4799)						1	L.56	C	S.14
28F/1051097	AGS.1114/A	SLEEVE, screwed, flanged ... ..						1	—	C	
		Attaching parts for AGS.1114/A:—									
28D/1008149	A25/2B	Bolt, 4 BA ... ..						6	—	C	
1128	EEAS.69/2	Gasket, sealing, special ... ..						1	—	C	
28M/1006504	A27/BT	Nut, 4 BA ... ..						6	—	C	
28F/9428452	AGS.1186/A	Seal, bonded ... ..						2	—	C	
28F/9128928	AGS.1115/2	Washer, plate ... ..						1	—	C	
28W/9416642	SP.47/B	Washer, spring ... ..						6	—	C	
980	EEAS.20/1DR	TAB, locking ... ..						6	L.72	C	
981	EEAS.20/2DR	TAB, locking ... ..						2	L.72	C	
28F/1011798	AGS.1103/F	UNION, body ... ..						1	—	C	
28F/9439106	AGS.1105/A	UNION, adapter (SRIM.3533) (Mod. 4799) ... ..						1	—	C	
28F/8011908	AGS.1105/D	UNION, adapter (SRIM.3533) (Mod. 4799) ... ..						1	—	C	
28F/9439107	AGS.1105/F	UNION, adapter (SRIM.3533) (Mod. 4799) ... ..						1	—	C	
28F/9157486	AGS.1112/F	UNION, body, flanged ... ..						1	—	C	
		Attaching parts for AGS.1112/F:—									
28D/9436920	A25/1C	Bolt, 2 BA ... ..						6	—	C	
28M/1006473	A27/CT	Nut, 2 BA ... ..						6	—	C	
28F/11491	AGS.1115/8	Washer, plate ... ..						1	—	C	
28W/9416643	SP.47/C	Washer, spring ... ..						6	—	C	
28F/9439163	AGS.1109/K	UNION, reducing (Mod. 3390) ... ..						1	—	C	
	EEAS.237/17CH	WASHER, "D" (Alt. R60/39—Mod. 5100) ... ..						14	S.511	—	
	EEAS.239/1CH	WASHER, "D" (Alt. R60/39—Mod. 5100) ... ..						3	S.511	—	
26DK/24376	EEAS.239/2CH	WASHER, "D" (Alt. R60/39—Mod. 5100) ... ..						4	S.511	C	
	E.A3.73.37	<b>RESERVOIR, HYDRAULIC, MOUNTING, ASSEMBLY</b>						—	—	—	
		Spares for:—									
28F/11170	AGS.1129/D	BANJO, body cone ... ..						1	—	C	
		Attaching parts for AGS.1129/D:—									
28F/9423231	AGS.1135/D	Bolt, banjo ... ..						1	—	C	
28F/8011809	AGS.1104/B	CONE, adaptor ... ..						1	—	C	
2447	E.A1.73.49	COUPLING, pipe ... ..						1	—	C	S.16
6850	E.A3.73.607	<b>EXTENSION, HYDRAULIC RESERVOIR FILLER, ASSEMBLY</b>						1	—	B	S.16
		Spares for:—									
28F/8011809	AGS.1104/B	CONE, adaptor ... ..						1	—	C	
		Attaching parts for AGS.1104/B:—									
28F/9428453	AGS.1186/B	Seal, bonded ... ..						1	—	C	
9019	E.A3.73.29	EXTENSION, filler ... ..						1	—	C	S.16
9018	E.A3.73.605	GUARD, splash ... ..						1	—	C	S.16
		Attaching parts for E.A3.73.605:—									
28D/9133012	A25/3C	Bolt, 2 BA ... ..						1	—	C	
2125	E.A3.73.603	Circlip, special, 5"2 dia. ... ..						1	L.72	C	S.16
28M/1278190	AGS.2001/C/1	Nut, 2 BA ... ..						1	—	C	
2123	E.A3.73.609	Strip, rubber ... ..						1	Neoprene	C	S.16
5502	EEAS.21/2FR	Washer, "D" ... ..						2	L.72	C	S.16
		Attaching parts for E.A3.73.607:—									
28D/1212964	A61/1B	Bolt, 4 BA ... ..						8	—	C	
764	E.A1.73.41	Gasket, hydraulic reservoir filler neck ... ..						1	Neo-K-Tex	C	S.16
28M/9129524	A29/BP	Nut ... ..						8	—	C	
28W/9416642	SP.47/B	Washer, spring ... ..						8	—	C	

**SERVICES**  
**HYDRAULIC EQUIPMENT IN FRONT FUSELAGE**

Ref. No.	Part No.	Description	No. off	Matl Spec.	Cl. of Equip.	Plate No.
					M.R. L.M.	
		1 2 3 4 5 6				
9017	E.A3.73.885	<b>HARDFELT</b> , packing on reservoir straps, 1/2" x 3/4" x 26" long	2	—	C	
12905	E.B6.73.351	<b>RESERVOIR, HYDRAULIC, ASSEMBLY</b> ...	1	—	A	S.16
22234	E.B6.73.347	Spares for:— <b>ADAPTOR</b> , filler cap ...	1	S.95 or S.96	C	S.16
28S/9998146	A35/Z10	Attaching parts for E.B6.73.347:— Screw, 8 BA ...	4	—	C	
28N/3720	AGS.607	<b>CAP</b> , filler ...	1	DTD.424	C	S.16
1886	E.A1.73.381	<b>FILTER</b> , oil reservoir, 45 mesh, 34 SWG	1	—	C	S.16
22235	E.B6.73.349	<b>GASKET</b> , filler neck ...	1	Neo-K-Tex	C	S.16
28U/15632	SP.35/E	<b>RDD</b> , tension, reservoir mounting strap ...	2	—	C	S.16
2124	E.A3.73.611	<b>SEAL</b> , rubber ...	1	Neoprene	C	S.16
766	E.A1.73.39	<b>STRAP</b> , hydraulic reservoir mounting ...	4	L.72	C	S.16
28P/1012221	SP.47/B12	Attaching parts for E.A1.73.39:— Pin, shackle, 7/8" dia. ...	4	—	C	
28V/9419475	SP.15/C	Washer ...	4	—	C	
981	EEAS.20/2DR	<b>TAB</b> , locking, 20 SWG ...	1	L.72	C	S.16
767	E.A1.70.21	<b>TRUNNION</b> , R.H. thread ...	2	M.S.	C	S16
768	E.A1.70.22	<b>TRUNNION</b> , L.H. thread ...	2	M.S.	C	S16
28F/9439107	AGS.1105/F	<b>UNION</b> , adaptor ...	1	—	C	

**SERVICES  
HYDRAULIC EQUIPMENT IN PORT WING**

Ref. No.	Part No.	Description	No. off	Matl Spec.	Cl. of Equip.	Plate No.
					M.R. L.M.	
	E.G4.73.7	<b>HYDRAULIC EQUIPMENT IN PORT WING, ASSEMBLY</b>	—	—	—	
	—	Consisting of:— <b>HYDRAULIC EQUIPMENT CIRCUIT, ASSEMBLY</b> (E.A6.73.283) Spares for:—	—	—	—	
	LOCKHEED AVA.50E	<b>COUPLING, AVERY, ASSEMBLY</b> ... ..	1	—	—	S.20
		Consisting of:—				
27BA/4110940	AVA.1152E	<b>FLANGE</b> , half, medium ... ..	1	—	B	
27BA/4110827	AVA.62E	<b>NUT</b> , tube ... ..	1	—	B	
27BA/9508649	AVA.54E	<b>UNION</b> , half ... ..	1	—	B	
	LOCKHEED AVA.52C	<b>COUPLING, AVERY, ASSEMBLY</b> ... ..	1	—	—	S.20
		Consisting of:—				
27BA/9129632	AVA.57C	<b>COUPLING</b> , half union ... ..	1	—	B	
27BA/4110824	AVA 58C	<b>FLANGE</b> , half ... ..	1	—	B	
27BA/9157278	AVA.62C	<b>NUT</b> , tube ... ..	1	—	B	
	DOWTY O.7017Y.CO 1	<b>JACK</b> , operating, main undercarriage (For spares see AP.4515B, Vol. 3)	1	—	A	S.20
	O.7016Y.CO1	<b>JACK</b> , operating, flap (For spares see AP.4515B, Vol. 3)	2	—	A	S.20
	DOWTY O.8246Y.CO1	<b>JACK</b> , operating, main undercarriage door (For spares see AP.4515B, Vol. 3)	1	—	A	S.20
	E.B6.73.221	<b>JACK, FOR AIR BRAKE, ASSEMBLY</b> ... ..	1	—	—	
		Consisting of:—				
	MESSIER 5232	<b>JACK</b> , assembly (Pre-Mod. 4454) (For spares see AP.4515A, Vol. 3, Pt. 1, Section 2)	1	—	A	S.19
	DOWTY 1 03035 001 or MESSIER J.5076	<b>JACK</b> , assembly (Mod. 4454) ... ..	1	—	A	
27QM/4170076	DOWTY 1 03036 001	<b>JACK</b> , assembly (Mod. 4454) (For spares see AP.4515B, Vol. 3, Pt. 1, Section 2)	1	—	A	
	DUNLOP 2/W3/101/8/8/63	<b>PIPE</b> , flexible, maxaret unit (Pre-Mod. 5100 or 5190)	1	—	B	
	or 2/W14/DAS 7005 /63	<b>PIPE</b> , flexible, maxaret unit (Alt. R60/32—Mod. 5100 or Mod.5190)	1	—	B	
27VA/4629946	2/W3/101/8/10 /30	<b>PIPE</b> , flexible, maxaret unit (Pre-Mod. 5100 or 5190)	1	—	B	
27VA/6115885	2/W14/DAS 7007 /30	<b>PIPE</b> , flexible, maxaret unit (Alt. R60/32—Mod. 5100 or Mod.5190)	1	—	B	
27VA/4619898	4/W3/101/8/8 /14	<b>PIPE</b> , flexible, undercarriage door, "open" line (Pre-Mod. 5100 or 5190)	1	—	B	
27VA/6115870	4/W14/DAS 7005 /14	<b>PIPE</b> , flexible, undercarriage door, "open" line (Alt. R60/32—Mod.5100 or Mod.5190)	1	—	B	
27VA/4619899	4/W3/101/8/8 /18	<b>PIPE</b> , flexible, undercarriage door, "closed" line (Pre-Mod.5100 or 5190)	1	—	B	
27VA/6115871	4/W14/DAS 7005 /18	<b>PIPE</b> , flexible, undercarriage door, "closed" line (Alt. R60/32—Mod.5100 or Mod.5190)	1	—	B	

**SERVICES  
HYDRAULIC EQUIPMENT IN PORT WING**

Ref. No.	Part No.	Description						No. off	Mati Spec.	Cl. of Equip. M.R. L.M.	Plate No.
		1	2	3	4	5	6				
27VA/4619902	DUNLOP 4/W3/101/8/8/63	PIPE, flexible, hydraulic brake (Pre-Mod. 5100 or 5190)						1	—	B	
27VA/6115873	4/W14/DAS 7005 /63	PIPE, flexible, hydraulic brake (Alt. R60/32—Mod. 5100 or Mod. 5190)						1	—	B	
27VA/4611949	4/W3/101/8/10 /26.5	PIPE, flexible, hydraulic brake (Pre-Mod. 5100 or 5190)						1	—	B	
27VA/6115868	4/W14/DAS 7007 /26.5	PIPE, flexible, hydraulic brake (Alt. R60/32—Mod. 5100 or Mod. 5190)						1	—	B	
27VA/4619903	6/W3/101/8/8/ 18	PIPE, flexible, undercarriage "up" line (Pre-Mod. 5100 or 5190)						1	—	B	
27VA/6115874	6/W14/DAS 7005 /18	PIPE, flexible, undercarriage "up" line (Alt. R60/32—Mod. 5100 or Mod. 5190)						1	—	B	
27VA/4619904	6/W3/101/8/8/ /25	PIPE, flexible, undercarriage "down" line (Pre-Mod. 5100 or 5190)						1	—	B	
27VA/6115875	6/W14/DAS 7005 /25	PIPE, flexible, undercarriage "down" line (Alt. R60/32—Mod. 5100 or Mod. 5190)						1	—	B	
27VA/5298	6/W3/102/8/10 /40	PIPE, flexible, engine driven pump, delivery line (Pre-Mod. 2150 or 5100)						1	—	B	
27VA/6115863	6/W2/102/8/10 /40	PIPE, flexible, engine driven pump, delivery line (Alt. R60/32—Mod. 5100)						1	—	B	
27VA/4625955	6/W3/102/8/10 /42	PIPE, flexible, engine driven pump, delivery line (Mod. 2150) (Pre-Mod. 5100 or 5190)						1	—	B	
27VA/6115864	6/W2/102/8/10 /42	PIPE, flexible, engine driven pump, delivery line (Alt. R60/32—Mod. 5100 or Mod. 5190)						1	—	B	
27VA/3659	10/W3/121/8/10 /40	PIPE, flexible, engine driven pump, suction line (Pre-Mod. 5100 or 5190)						1	—	B	
27VA/6115862	10/W2/121/8/10 /40	PIPE, flexible, engine driven pump, suction line (Alt. R60/32—Mod. 5100 or Mod. 5190)						1	—	B	
37J/264	LOCKHEED AIR.41000	PUMP, engine driven (Pre-Mod. 2335) (For spares see AP.4515N, Vol. 3)						1	—	A	
37J/266	LOCKHEED AIR.68000	PUMP, engine driven (Mod. 2335) ... ..						1	—	A	S.20
27QM/4143197	DOWTY C.4603Y Mk.E	VALVE, thermal relief ... ..						2	—	A	S.19
27QM/4674311	DOWTY C.8697 Mk.A	VALVE, thermal relief (Mod. 3749) ... ..						1	—	A	
27QM/4143191	DOWTY D.401Y Mk.K	VALVE, sequence, undercarriage door ... ..						1	—	A	S.19
27QM/4143192	DOWTY D.401Y Mk.L	VALVE, sequence, undercarriage ... ..						1	—	A	S.20
27Q/919	DOWTY D.3371 Mk. E	VALVE, restriction (Pre-Mod. 3937) ... ..						1	—	A	S.20
27Q/70290	DOWTY O.3371Y BO6	VALVE, restrictor (Mod. 3937) ... ..						1	—	A	
27QM/4113203	DOWTY C.6790Y Mk.A	VALVE, transfer, undercarriage jack (For spares see AP.4515B, Vol. 3)						1	—	A	S.20
27Q/1506	DOWTY 6209Y	VALVE, restrictor, undercarriage door jack (Pre-Mod. 3937)						1	—	A	
27Q/4143176	DOWTY O.6209Y B01	VALVE, restrictor, undercarriage door jack (Mod. 3937)						1	—	A	

**SERVICES  
HYDRAULIC EQUIPMENT IN PORT WING**

Ref. No.	Part No.	Description						No. off	Matl Spec.	Cl. of Equip. M.R. L.M.	Plate No.
		1	2	3	4	5	6				
		<b>HIGH PRESSURE COMPONENTS</b>									
28Y/9701165	GYP.A.58 E.B6.73.353	<b>VALVE, charging</b> ... ..						1	—	C	S.20
		<b>PIPES, HYDRAULIC, ON MAIN SPAR, ASSEMBLY</b>						—	—	—	
		Spares for:—									
9787	E.A1.73.107	<b>BRACKET</b> ... ..						1	—	C	
		Attaching parts for E.A1.73.107:—									
28D/9436920	A25/1C	Bolt, 2 BA ... ..						4	—	C	
28M/9403520	A27/CP	Nut, 2 BA ... ..						4	—	C	
28W/9416643	SP.47/C	Washer, spring ... ..						4	—	C	
16500	E.A6.73.61	<b>BRACKET</b> ... ..						1	—	C	
		Attaching parts for E.A6.73.61:—									
28D/9436920	A25/1C	Bolt, 2 BA ... ..						4	—	C	
28M/9403520	A27/CP	Nut, 2 BA ... ..						4	—	C	
28W/9416643	SP.47/C	Washer, spring ... ..						4	—	C	
9772	E.A3.73.789	<b>BRACKET</b> ... ..						1	—	C	
		Attaching parts for E.A3.73.789:—									
28D/9436920	A25/1C	Bolt, 2 BA ... ..						4	—	C	
28M/9403520	A27/CP	Nut, 2 BA ... ..						4	—	C	
28W/9416643	SP.47/C	Washer, spring ... ..						4	—	C	
16498	E.A3.73.793	<b>BRACKET</b> ... ..						1	—	C	
		Attaching parts for E.A3.73.793:—									
28D/9436920	A25/1C	Bolt, 2 BA ... ..						4	—	C	
28M/9403520	A27/CP	Nut, 2 BA ... ..						4	—	C	
28W/9416643	SP.47/C	Washer, spring ... ..						4	—	C	
16502	E.A6.73.79	<b>BRACKET, pipe. flexible</b> ... ..						1	—	C	
		Attaching parts for E.A6.73.79:—									
28S/9992525	A32/B12	Screw, 4 BA ... ..						4	—	C	
28W/9416642	SP.47/B	Washer, spring ... ..						4	—	C	

Continued on Page ST.3

**SERVICES  
HYDRAULIC EQUIPMENT IN PORT WING**

Ref. No.	Part No.	Description	No. off	Matl Spec.	Cl. of Equip.	Plate No.
					M.R. L.M.	
		1 2 3 4 5 6				
829	E.A1.73.181	CLIP, thermal relief valve and flexible pipes ...	3	L.72	C	S.20
829	E.A1.73.181	CLIP, thermal relief valve and flexible pipes (Mod. 3749)	1	L.72	C	
5528	E.A3.73.797	CLIP, transfer valve ...	1	—	C	S.20
28E/1059357	AS.2081/3	CLIP, 1/8" i/d., with earthing tongue (Pre-Mod. 3749)	3	—	C	
28E/1059357	AS.2081/3	CLIP, 1/8" i/d., with earthing tongue (Mod. 3749)	1	—	C	
28E/1059358	AS.2081/4	CLIP, 1/8" i/d., with earthing tongue (Mod. 3749)	4	—	C	
28E/1059359	AS.2081/6	CLIP, 1/8" i/d., with earthing tongue (Mod. 3749)	7	—	C	
7136	EEAS.143/21	CLIP, pipe, single, 1/2" o/d. ...	3	L.72	C	S.20
6068	EEAS.143/24	CLIP, pipe, single, 3/4" o/d. ...	3	L.72	C	S.20
	or	Alternative clips (Alt. R60/39—Mod. 5100) ...				
5K/6323922	AS.4526/3	CLIP, 1/8" ...	4	—	C	
5K/4345976	AS.4526/4	CLIP, 1/8" ...	1	—	C	
5K/4345977	AS.4526/6	CLIP, 1/8" ...	7	—	C	
28E/9130689	AS.5419/8	CLIP, 1/8" ...	3	—	C	
28E/9130755	AS.5419/12	CLIP, 1/8" ...	3	—	C	
		Attaching parts for E.A1.73.181, E.A3.73.797, AS.2081/3, AS.2081/4, AS.2081.6, EEAS.143/21 and EEAS.143/24:—				
28D/1010658	A25/1B	Bolt, 4 BA (As required) ...	1	—	C	
28D/1008149	A25/2B	Bolt, 4 BA (As required) ...	1	—	C	
28D/9419452	A25/3B	Bolt, 4 BA (As required) ...	1	—	C	
28D/9133011	A25/2C	Bolt, 2 BA (As required) ...	1	—	C	
28D/1011019	A25/8C	Bolt, 2 BA (As required) ...	1	—	C	
28D/9140645	A25/10C	Bolt, 2 BA (As required) ...	2	—	C	
28D/9140647	A25/14C	Bolt, 2 BA (As required) ...	1	—	C	
28M/9403519	A27/BP	Nut, 4 BA (As required) ...	1	—	C	
28M/9403520	A27/CP	Nut, 2 BA (As required) ...	1	—	C	
6062	E.A1.70.73	Washer, special (As required) ...	1	—	C	S.20
12929	EEAS.21/9ER	Washer, special (As required) ...	1	—	C	S.20
28W/9419402	SP.13/C	Washer, (As required) ...	2	—	C	
28W/9416642	SP.47/B	Washer, spring (As required) ...	1	—	C	
28W/9416643	SP.47/C	Washer, spring (As required) ...	1	—	C	
806	E.A1.73.177	CONE, tee ...	1	DTD.683	C	S.20
28F/9129085	AGS.1102/A	CONE, union body ...	1	—	C	
28F/8011883	AGS.1102/B	CONE, union body ...	1	—	C	
28F/9471001	AGS.1102/C	CONE, union body (Pre-Mod. 3749) ...	1	—	C	
28F/9475460	AGS.1123/A	CONE, 4-way ...	1	—	C	
28F/9508223	AGS.1123/C	CONE, 4-way ...	1	—	C	
9789	E.A1.73.109	GUARD, pipe, flexible ...	1	—	C	
		Attaching parts for E.A1.73.109:—				
28D/1212940	A61/2C	Bolt, 2 BA ...	4	—	C	
28M/4095911	A29/CP	Nut, 2 BA ...	4	—	C	
28W/9416643	SP.47/C	Washer, spring ...	4	—	C	
923	E.A3.73.537	PIPE, assembly, from sequence valve, 4-way cone, to union body, undercarriage jack "down" line	1	DTD.5019	C	S.20
2009	E.A3.73.543	PIPE, assembly, from sequence valve, 4-way cone, to sequence valve connection on rib 3 wheel well wall bay, undercarriage door "open" line	1	—	C	S.19 S.20
2011	E.A3.73.549	PIPE, assembly, from union body on rib B, to union body inboard rib A, brake pressure line	1	DTD.5019	C	S.20
	or					
	E.A3.73.1233	PIPE, assembly (Alt R60/80—Mod. 5100) ...	1	DTD.5019	LM	

**SERVICES**  
**HYDRAULIC EQUIPMENT IN PORT WING**

Ref. No.	Part No.	Description						No. off	Matl Spec.	Cl. of Equip. M.R. L.M.	Plate No.
		1	2	3	4	5	6				
4522	E.A3.73.651	PIPE, assembly, from undercarriage and door jack thermal relief valve, to 4-way cone return line						1	DTD.5019	C	\$ 20
5529	E.A3.73.729	PIPE, assembly, from 4-way cone, to union cone inboard rib A return line						1	L.56	C	\$ 20
5530	E.A3.73.799	PIPE, assembly, from union cone inboard rib A, to transfer valve, undercarriage jack "up" line (Pre-Mod. 3749)						1	DTD.5019	C	\$ 20
41175	E.A3.73.5135	PIPE, assembly, from union cone inboard rib A, to transfer valve, undercarriage jack "up" line (Mod. 3749)						1	DTD.5019	C	
41177	E.A3.73.5139	PIPE, assembly, from thermal relief valve C.8697, to tee piece (Mod. 3749)						1	DTD.5019	C	
41173	E.A3.73.5133	PIPE, assembly, from thermal relief valve C.4603Y, to 4-way piece (Mod. 3749)						1	DTD.5019	C	
41179	E.A3.73.5141	PIPE, assembly, from thermal relief valve C.8697, to 4-way piece (Mod. 3749)						1	DTD.5019	C	
5531	E.A3.73.803	PIPE, assembly, from thermal relief valve tee cone, to transfer valve, undercarriage jack "up" line						1	DTD.5019	C	\$ 20
5532	E.A3.73.807	PIPE, assembly, from transfer valve, to union body at rib C, undercarriage jack "up" line						1	DTD.5019	C	\$ 20
5533	E.A3.73.809	PIPE, assembly, from tee cone, to thermal relief valve, undercarriage jack "up" line (Pre-Mod. 3749)						1	DTD.5019	C	\$ 20
13147	E.A3.73.887	PIPE, assembly, from union body on rib B, to 4-way cone maxaret unit return line						1	DTD.5019	C	\$ 20
9790	E.A1.73.297	PLATE, back (Used with E.A1.73.109) ... ..						1	—	C	
28F/9439766	AGS.1106/C	UNION, body ... ..						2	—	C	
28F/9504828	AGS.1147/A	UNION, body, hexagon ... ..						1	—	C	
Attaching parts for AGS.1147/A:—											
28F/9453689	AGS.1148/A	Nut, 1/4" BSP ... ..						1	—	C	
28F/9157965	AGS.1149/1	Washer, plate ... ..						2	—	C	
28F/9130662	AGS.1147/B	UNION, body, hexagon ... ..						1	—	C	
Attaching parts for AGS.1147/B:—											
28F/1010558	AGS.1148/B	Nut, 1/4" BSP ... ..						1	—	C	
28F/9130664	AGS.1149/2	Washer, plate ... ..						2	—	C	
28F/9489760	AGS.1125/4	UNION, piece, 4-way (Mod. 3749) ... ..						1	—	C	
	EEAS.239/1CH	WASHER, "D" (Alt. R60/39—Mod. 5100) ... ..						10	\$.511	—	
26DK/24376	EEAS.239/2CH	WASHER, "D" (Alt. R60/39—Mod. 5100) ... ..						3	\$.511	C	
	E.A6.73.41	<b>PIPES, HYDRAULIC, ON FIXED FAIRING, ASSEMBLY</b>						—	—	—	
Spares for:—											
1875	E.A3.73.601	ADAPTOR, special, charging valve and test gauge						1	—	C	
Attaching parts for E.A3.73.601:—											
28F/9428453	AGS.1186/B	Seal, bonded ... ..						1	—	C	
17735	E.A6.73.277	BRACKET, bonded, for flexible pipe connections						1	L.72	C	\$ 20
Attaching parts for E.A6.73.277:—											
5970	E.A6.73.93	Washer ... ..						2	—	C	\$ 20
4965	EEAS.143/5	CLIP, pipe, single, 3/8" o/d ... ..						1	L.72	C	\$ 20
5542	EEAS.143/6	CLIP, pipe, single, 1/2" o/d ... ..						1	L.72	C	\$ 20
Alternative clips (Alt. R60/39—Mod. 5100) ... ..											
5K/6323922	AS.4526/3	CLIP, 3/8" ... ..						1	—	C	
5K/4345976	AS.4526/4	CLIP, 1/2" ... ..						1	—	C	
Attaching parts for EEAS.143/5 and EEAS.143/6:—											
28D/1010658	A25/1B	Bolt, 4 BA ... ..						1	—	C	
28M/9403519	A27/BP	Nut, 4 BA ... ..						1	—	C	
28W/1010155	AGS.162/B	Washer, spring ... ..						1	—	C	

**SERVICES**  
**HYDRAULIC EQUIPMENT IN PORT WING**

Ref. No.	Part No.	Description						No. off	Matl Spec.	Cl. of Equip. M.R. L.M.	Plate No.
		1	2	3	4	5	6				
7136	EEAS.143/21							1	L.72	C	S.20
6068	EEAS.143/24							1	L.72	C	S.20
	or										
28E/9130689	AS.5419/8							1	—	C	
28E/9130755	AS.5419/12							1	—	C	
28D/9133011	A25/2C							1	—	C	
28W/9419404	SP.16/C							1	—	C	
28F/8011809	AGS.1104/B							1	—	C	
28F/9428453	AGS.1186/B							1	—	C	
5967	E.A.6.73.113							1	DTD.5019	C	S.20
	or										
	E.B.7.73.5207							1	DTD.5019	LM	
5968	E.A.6.73.115							1	DTD.5019	C	S.20
1876	E.A.3.73.599							1	DTD.683	C	
28F/9504828	AGS.1147/A							2	—	C	
28F/9453689	AGS.1148/A							1	—	C	
28F/9157965	AGS.1149/1							2	—	C	
28F/9130662	AGS.1147/B							1	—	C	
28F/1010558	AGS.1148/B							1	—	C	
28F/9130664	AGS.1149/2							2	—	C	
25585	E.A.6.73.275							2	—	C	
	EEAS.237/17CH							1	S.511	—	
26DK/24376	EEAS.239/2CH							1	S.511	C	
	E.A.1.73.91							—	—	—	
1880	EEAS.91/1							11	L.16	C	S.19
1242	E.A.3.73.773							3	L.72	C	S.19
28D/1010658	A25/1B							1	—	C	
28D/1011006	A25/5B							1	—	C	
28M/9403519	A27/BP							1	—	C	
	AS.2807/4/04							1	L.62	LM	
5259	EEAS.21/2/ERH							1	L.72	C	
28W/1010155	AGS.162/B							1	—	C	
5258	EEAS.143/6H							4	L.72	C	S.19
28D/1010658	A25/1B							1	—	C	
28M/1278189	AGS.2001/B/1							1	—	C	
28W/9419465	SP.13/B							1	—	C	
5259	EEAS.21/2/ERH							1	—	C	
28F/8011811	AGS.1118/B							2	—	C	
28F/8011883	AGS.1102/B							6	—	C	

**SERVICES**  
**HYDRAULIC EQUIPMENT IN PORT WING**

Ref. No.	Part No.	Description						No. off	Matl Spec.	Cl. of Equip. M.R. L.M.	Plate No.
		1	2	3	4	5	6				
859	E.A1.73.93	<b>FAIRLEAD</b> , at inboard wing, rib 7 ... ..						1	BS.2572	C	S.19
28D/1011013	A25/13B	Attaching parts for E.A1.73.93:—									
28M/9403519	A27/BP	Bolt, 4 BA ... ..						2	—	C	
28W/1010155	AGS.162/B	Nut, 4 BA ... ..						2	—	C	
		Washer, spring ... ..						2	—	C	
860	E.A1.73.91A	<b>PIPE</b> , assembly, from union cone between inboard wing ribs 1 and 2 to inboard flap jack tee cone "down" line						1	DTD.5019	C	S.19
861	E.A1.73.91B	<b>PIPE</b> , assembly, from union cone between inboard wing ribs 1 and 2 to inboard flap jack tee cone, "up" line						1	DTD.5019	C	S.19
862	E.A1.73.91C	<b>PIPE</b> , assembly, from tee to inboard flap jack, "down" line						1	DTD.5019	C	S.19
863	E.A1.73.91D	<b>PIPE</b> , assembly, from tee to inboard flap jack, "up" line						1	DTD.5019	C	S.19
864	E.A1.73.91E	<b>PIPE</b> , assembly, from inboard flap jack tee cone to union cone at inboard wing rib 7, "down" line						1	DTD.5019	C	S.19
865	E.A1.73.91F	<b>PIPE</b> , assembly, from inboard flap jack tee cone to union cone at inboard wing rib 7, "up" line						1	DTD.5019	C	S.19
866	E.A1.73.91G	<b>PIPE</b> , assembly, from union cone at inboard wing rib 7 to union cone at outboard wing rib 2A, "up" line						1	DTD.5019	C	S.19
867	E.A1.73.91H	<b>PIPE</b> , assembly, from union cone at inboard wing rib 7 to union cone at outboard wing rib 2A, "down" line						1	DTD.5019	C	S.19
868	E.A1.73.91J	<b>PIPE</b> , assembly, from union cone at outboard wing rib 2A to outboard flap jack, "up" line						1	DTD.5019	C	S.19
869	E.A1.73.91K	<b>PIPE</b> , assembly, from union cone at outboard wing rib 2A to outboard flap jack, "down" line						1	DTD.5019	C	S.19
	E.K5.73.17	<b>PIPES, HYDRAULIC, FLAP JACK, ASSEMBLY</b> ... .. (ALT. R60/313—MOD. 5100)						—	—	—	
		Spares for:—									
	E.A3.20.4003	<b>BRACKET</b> , fairlead support, inboard flap shroud, 18 SWG						1	L.72	—	
	E.A3.20.4004	<b>BRACKET</b> , fairlead support, inboard flap shroud, 18 SWG						5	L.72	—	
	E.A3.20.4005	<b>BRACKET</b> , fairlead support, outboard flap shroud, 18 SWG						3	L.72	—	
	E.A3.20.4007	<b>BRACKET</b> , fairlead support, outboard flap shroud, 18 SWG						2	L.72	—	
5K/4345976	AS.4526/4	<b>CLIP</b> , 1/2" (Alt. R60/39—Mod. 5100) ... ..						4	—	C	
5K/1037288	AS.4525/4	<b>CLIP</b> , 1/2" ... ..						6	—	C	
28F/9439531	AGS.952/B	<b>COLLAR</b> ... ..						2	—	C	
28F/8011811	AGS.1118/B	<b>CONE</b> , tee ... ..						2	—	C	
28F/8011883	AGS.1102/B	<b>CONE</b> , union body ... ..						2	—	C	
6101241	E.A3.20.3993	<b>FAIRLEAD</b> , assembly, pipe support, inboard flap shroud						6	BS.2572 Type F3	C	
6101242	E.A3.20.3997	<b>FAIRLEAD</b> , assembly, pipe support, outboard flap shroud						5	BS.2572 Type F3	C	
		Attaching parts for E.A3.20.3993 or E.A3.20.3997:—									
28D/1011019	A25/BC	Bolt, 2 BA ... ..						2	—	C	
28M/1278190	AGS.2001/C/1	Nut, 2 BA ... ..						2	—	C	
28W/9419475	SP.15/C	Washer ... ..						2	—	C	

CANBERRA E Mk. 15		<b>SERVICES</b>						Page ST.6A			
<b>HYDRAULIC EQUIPMENT IN PORT WING</b>											
Ref. No.	Part No.	Description						No. off	Matl Spec.	Cl. of Equip. M.R. L.M.	Plate No.
		1	2	3	4	5	6				
28D/1010030 28M/1278190	E.B4.73.713	<b>FAIRLEAD</b> , assembly, pipe support on engine arch						3	—	—	
	A25/7C	Attaching parts for E.B4.73.713:—									
	AGS.2001/C/1	Bolt, 2 BA ... ..						1	—	C	
		Nut, 2 BA ... ..						1	—	C	
28D/1010030 28M/1278190	E.A3.73.1115	<b>FAIRLEAD</b> , assembly, pipe support, ribs 7 and 1						2	BS 2572 Type F3	—	
	A25/7C	Attaching parts for E.A3.73.1115:—									
	AGS.2001/C/1	Bolt, 2 BA ... ..						4	—	C	
	AS.2811/5/060	Nut, 2 BA ... ..						4	—	C	
	28624	Tube, distance, 17 SWG ... ..						4	L.62	LM	
	EEAS.28/8ER	Washer ... ..						4	—	C	
28F/8011885 28F/1014650	AGS.2097/B3C	<b>LEAD</b> , bonding (Alt. R60/39—Mod. 5100) ...						4	—	LM	
	AGS.2097/C3C	<b>LEAD</b> , bonding ... ..						2	—	LM	
	AGS.2097/C6C	<b>LEAD</b> , bonding ... ..						2	—	LM	
	AGS.1142/B	<b>NIPPLE</b> , adapter ... ..						4	—	C	
	AGS.1170/B	<b>NIPPLE</b> ... ..						6	—	C	
	E.A3.73.1147	<b>PIPE</b> , assembly, from fuselage coupling to inboard jack tee, flaps "down" line						1	DTD.5019	LM	
	E.A3.73.1143	<b>PIPE</b> , assembly, from fuselage coupling to inboard jack tee, flaps "up" line						1	DTD.5019	LM	
	E.A3.73.1139	<b>PIPE</b> , assembly, from inboard jack tee to jack "down" connection						1	DTD.5019	LM	
	E.A3.73.1135	<b>PIPE</b> , assembly, from inboard jack tee to jack "up" connection						1	DTD.5019	LM	
	E.A3.73.1091	<b>PIPE</b> , assembly, from inboard jack tee to spar coupling, flaps "down" line						1	DTD.5019	LM	
	E.A3.73.1089	<b>PIPE</b> , assembly, from inboard jack tee to spar coupling, flaps "up" line						1	DTD.5019	LM	
	E.A3.73.1095	<b>PIPE</b> , assembly, from spar coupling, inboard wing to coupling inboard of rib 7, flaps "down" line						1	DTD.5019	LM	
	E.A3.73.1093	<b>PIPE</b> , assembly, from spar coupling, inboard wing to coupling inboard of rib 7, flaps "up" line						1	DTD.5019	LM	
	E.A3.73.1099	<b>PIPE</b> , assembly, transverse across engine arch, flaps "down" line						1	DTD.5019	LM	
	E.A3.73.1097	<b>PIPE</b> , assembly, transverse across engine arch, flaps "up" line						1	DTD.5019	LM	
	E.A3.73.1103	<b>PIPE</b> , assembly, from outer wing coupling, rib 1 to spar coupling, flaps "down" line						1	DTD.5019	LM	
	E.A3.73.1101	<b>PIPE</b> , assembly, from outer wing coupling, rib 1 to spar coupling, flaps "up" line						1	DTD.5019	LM	
	E.A3.73.1107	<b>PIPE</b> , assembly, from outer wing spar coupling to coupling, trailing edge rib 2A, flaps "down" line						1	DTD.5019	LM	
	E.A3.73.1105	<b>PIPE</b> , assembly, from outer wing spar coupling to coupling, trailing edge rib 2A, flaps "up" line						1	DTD.5019	LM	
	E.A3.73.1111	<b>PIPE</b> , assembly, from coupling, rib 2A to outer wing jack connection, flaps "down" line						1	DTD.5019	LM	
	E.A3.73.1109	<b>PIPE</b> , assembly, from coupling, rib 2A to outer wing jack connection, flaps "up" line						1	DTD.5019	LM	

**SERVICES**  
**HYDRAULIC EQUIPMENT IN PORT WING**

Ref. No.	Part No.	Description	No. off	Matl Spec.	Cl. of Equip.	Plate No.
					M.R. L.M.	
		1 2 3 4 5 6				
28F/9439527	AGS.954/B	SLEEVE, outer	2	—	C	
20778	EEAS.20/2ER	TAB, locking	4	—	C	
32B/1250505	†	TAPE, glasscloth	QR	—	C	
28F/8011887	AGS.1113/B	UNION, flanged, bulkhead	4	—	C	
		Attaching parts for AGS.1113/B:—				
28D/1008149	A25/2B	Bolt, 4 BA	6	—	C	
28M/9403519	A27/BP	Nut, 4 BA	6	—	C	
28W/9419465	SP.13/B	Washer	6	—	C	
28F/9128928	AGS.1115/2	Washer, plate	1	—	C	
	EEAS.239/1CH	WASHER, "D" for pipe clips (Alt. R60/39—Mod. 5100)	4	S.511	—	
	E.A1.73.281	PIPES, HYDRAULIC, FOR AIR BRAKE, CENTRE WING, ASSEMBLY	—	—	—	
		Spare for:—				
5258	EEAS.143/6H	CLIP, pipe, single, 1/4" o/d, bonding	14	L.72	C	S.19
	or					
5K/4345976	AS.4526/4	CLIP, 1/4" (Alt. R60/39—Mod. 5100)	14	—	C	
		Attaching parts for EEAS.143/6H:—				
28D/1010658	A25/1B	Bolt, 4 BA	1	—	C	
28M/1278189	AGS.2001/B/1	Nut, 4 BA, stiff	1	—	C	
5259	EEAS.21/2/ERH	Washer, special	1	L72	C	
28W/1010155	AGS.162/B	Washer, spring	1	—	C	
28F/8011883	AGS.1102/B	CONE, union body	4	—	C	
5K/7000230	AS.3360/B3B	LEAD, bonding	2	—	C	
	or					
	AGS.2097/B3C	LEAD, bonding (Alt. R60/39—Mod. 5100)	2	—	LM	
931	E.A1.73.281A	PIPE, assembly, between fuselage and union cone at centre wing ribs 3 and 4, "in" line	1	DTD.5019	C	S.19
	or					
	E.A3.73.1243	PIPE, assembly (Alt. R60/80—Mod. 5100)	1	DTD.5019	LM	
932	E.A1.73.281B	PIPE, assembly, between fuselage and union cone at centre wing ribs 3 and 4, "out" line	1	DTD.5019	C	S.19
	or					
	E.A3.73.1245	PIPE, assembly (Alt. R60/80—Mod. 5100)	1	DTD.5019	LM	
1636	E.A1.73.281E	PIPE, assembly, between union cone at ribs 3 and 4 to union cone between ribs 6 and 7, "in" line	1	DTD.5019	C	S.19
	or					
	E.A3.73.1247	PIPE, assembly (Alt. R60/80—Mod. 5100)	1	DTD.5019	LM	

**SERVICES  
HYDRAULIC EQUIPMENT IN PORT WING**

Ref. No.	Part No.	Description						No. off	Matl Spec.	Cl. of Equip. M.P. L.M.	Plate No.
		1	2	3	4	5	6				
1637	E.A1.73.281F	<b>PIPE</b> , assembly, between union cone at ribs 3 and 4 to union cone between ribs 6 and 7, "out" line						1	DTD.5019	C	S.19
	or										
	E.A3.73.1249	<b>PIPE</b> , assembly (Alt. R60/80—Mod. 5100) ...						1	DTD.5019	LM	
	EEAS.237/17CH	<b>WASHER</b> , "D" ...						12	S.511	—	
	EEAS.239/1CH	<b>WASHER</b> , "D" ...						2	S.511	—	
	E.G4.73.75	<b>PIPES, HYDRAULIC, FOR AIR BRAKE, OUTER WING, ASSEMBLY</b>						—	—	—	
		Spares for:—									
5258	EEAS.143/6H	<b>CLIP</b> , pipe, single, 1/4" o/d, bonding ...						18	L.72	C	
	or										
5K/4345976	AS.4526/4	<b>CLIP</b> , 1/4" (Alt. R60/39—Mod. 5100) ...						18	—	C	
		Attaching parts for EEAS.143/6H:—									
23D/1010658	A25/1B	Bolt 4 BA (As required) ...						1	—	C	
28D/1008149	A25/2B	Bolt 4 BA (As required) ...						1	—	C	
28M/9403519	A27/BP	Nut 4 BA (As required) ...						1	—	C	
28M/1278189	AGS 2001/B/1	Nut 4 BA (As required) ...						1	—	C	
5259	EEAS.21/2ERH	Washer, special (As required) ...						1	L.72	C	
28W/9416642	SP.47/B	Washer, spring (As required) ...						1	—	C	
28F/8011883	AGS.1102/B	<b>CONE</b> , union body ...						6	—	C	
5K/7000230	AS.3360/B3B	<b>LEAD</b> , bonding ...						2	—	C	
	or										
	AGS.2097/B3C	<b>LEAD</b> , bonding (Alt. R60/39—Mod. 5100) ...						2	—	LM	
939	E.A1.73.283C	<b>PIPE</b> , assembly, from union cone between outer wing ribs 1 and 2A to union cone between ribs 2 and 2B, "in" line						1	DTD.5019	C	S.19
	or										
	E.A3.73.1251	<b>PIPE</b> , assembly (Alt. R60/80—Mod. 5100) ...						1	DTD.5019	LM	
940	E.A1.73.283D	<b>PIPE</b> , assembly, from union cone between outer wing ribs 1 and 2A to union cone between ribs 2 and 2B, "out" line						1	DTD.5019	C	S.19
	or										
	E.A3.73.1253	<b>PIPE</b> , assembly, (Alt. 60/80—Mod. 5100) ...						1	DTD.5019	LM	
941	E.A1.73.283E	<b>PIPE</b> , assembly, from union cone between ribs 2 and 2B to union cone between ribs 3A and 3, "in" line						1	DTD.5019	C	S.19
	or										
	E.A3.73.1255	<b>PIPE</b> , assembly, (Alt. 60/80—Mod. 5100) ...						1	DTD.5019	LM	
942	E.A1.73.283F	<b>PIPE</b> , assembly, from union cone between ribs 2 and 2B to union cone between ribs 3A and 3, "out" line						1	DTD.5019	C	S.19
	or										
	E.A3.73.1257	<b>PIPE</b> , assembly, (Alt. 60/80—Mod. 5100) ...						1	DTD.5019	LM	
1983	E.A1.73.283J	<b>PIPE</b> , assembly, from union cone between centre wing ribs 6 and 7 to union cone between outer wing ribs 1 and 2A, "out" line						1	DTD.5019	C	S.19
	or										
	E.A3.73.1263	<b>PIPE</b> , assembly, (Alt. 60/80—Mod. 5100) ...						1	DTD.5019	LM	
1984	E.A1.73.283K	<b>PIPE</b> , assembly, from union cone between centre wing ribs 6 and 7 to union cone between outer wing ribs 1 and 2A, "in" line						1	DTD.5019	C	S.19
	or										
	E.A3.73.1265	<b>PIPE</b> , assembly, (Alt. 60/80—Mod. 5100) ...						1	DTD.5019	LM	
33300	E.B6.73.363	<b>PIPE</b> , assembly, from union cone between ribs 3A and 3, to bracket on rib 3, "out" line						1	—	C	S.19
	or										
	E.G4.73.143	<b>PIPE</b> , assembly, (Alt. 60/80—Mod. 5100) ...						1	DTD.5019	LM	

**SERVICES**  
**HYDRAULIC EQUIPMENT IN PORT WING**

Ref. No.	Part No.	Description	No. off	Matl Spec.	Cl. of Equip.	Plate No.
					M.R. L.M.	
		1 2 3 4 5 6				
33301	E.B6.73.365	Pipe, assembly, from union cone between ribs 3A and 3, to bracket on rib 3, "in" line	1	—	C	S.19
	or					
	E.G4.73.145	PIPE, assembly (Alt. R60/80—Mod. 5100) ...	1	DTD.5019	LM	
	EEAS.237/17CH	WASHER, "D" (Alt. R60/39—Mod. 5100) ...	16	S.511	—	
	EEAS.239/1CH	WASHER, "D" (Alt. R60/39—Mod. 5100) ...	2	S.511	—	
	E.A3.73.815	<b>PIPES, HYDRAULIC, ON FUSELAGE SIDE WHEEL WELL BAY, ASSEMBLY</b> Spares for:—	—	—	—	
911	E.A1.73.277	BOLT, special, banjo fitting variable flow valve pipe connection	1	S.96	C	S.20
737	E.A1.73.179	CLIP, pipe, flexible, 1/4" BSP	1	—	C	S.20
6119336	E.A3.73.1461	CLIP, pipe, flexible (Alt. R60/32—Mod. 5100 or Mod. 5190) Attaching parts for E.A1.73.179 or E.A3.73.1461:—	1	S.97	C	
28D/1010030	A25/7C	Bolt, 2 BA	2	—	C	
28M/9403520	A27/CP	Nut, 2 BA	2	—	C	
28W/9416643	SP.47/C	Washer, spring	2	—	C	
5348	EEAS.143/8H	CLIP, pipe, single, 3/8" o/d, bonding	5	L.72	C	S.20
	or					
5K/4345977	AS.4526/6	CLIP, 3/8" (Alt. R60/39—Mod. 5100)	5	—	C	
5526	EEAS.91/3	CLIP, pipe, double, 3/8" o/d	3	L.72	C	S.20
		Attaching parts for EEAS.143/8H and EEAS.91/3:—				
28D/1010658	A25/1B	Bolt, 4 BA	1	—	C	
28M/1278189	AGS.2001/B/1	Nut, 4 BA	1	—	C	
5259	EEAS.21/2ERH	Washer, special	1	L.72	C	
23F/9476124	AGS.1118/C	CONE, tee	1	—	C	
912	E.A1.73.183	FITTING, right angle, banjo body, special connection for undercarriage door jack and sequence valve connections	1	—	C	S.20
5K/7000230	AS.3360/B3B	LEAD, bonding	1	—	C	
	or					
	AGS.2097/B3C	LEAD, bonding (Alt. R60/39—Mod. 5100)	1	—	LM	
913	E.A3.73.551	PIPE, assembly, from special banjo fitting at undercarriage door jack hose to variable flow tee cone "closed" line	1	DTD.5019	C	S.20
914	E.A3.73.553	PIPE, assembly, from door sequence valve to thermal relief valve tee at wing main spar "closed" line	1	DTD.5019	C	S.20
916	E.A3.73.585	PIPE, assembly, from tee cone to variable flow valve, undercarriage door jack "closed" line	1	DTD.5019	C	S.20
5524	E.A3.73.817	PIPE, assembly, from sequence valve to 4-way cone at main spar undercarriage door "closed" line	1	DTD.5019	C	S.20
5525	E.A3.73.819	PIPE, assembly, from variable flow tee cone to thermal relief and transfer valve tee cone "closed" line	1	DTD.5019	C	S.20
20998	E.A3.73.855	PIPE, assembly, from variable flow valve to undercarriage jack hose connection "closed" line	1	DTD.5019	C	S.20
28F/9429532	AGS.1186/C	SEAL, bonding, between banjo fitting and banjo bolt, 3/8" BSP	2	—	C	
28F/8611809	AGS.1106/B	UNION, body, cone	1	—	C	
	EEAS.237/17CH	WASHER, "D" (Alt. R60/39—Mod. 5100)	4	S.511	—	
	EEAS.239/1CH	WASHER, "D" (Alt. R60/39—Mod. 5100)	1	S.511	—	

**SERVICES**  
**HYDRAULIC EQUIPMENT IN PORT WING**

Ref. No.	Part No.	Description						No. off	Matl Spec.	Cl. of Equip. M.R. L.M.	Plate No.
		1	2	3	4	5	6				
	E.B7.73.43	<b>PIPES, HYDRAULIC, ON RIB E, WHEEL WELL BAY, ASSEMBLY</b>									
		Spares for:—									
5258	EEAS.143/6H	<b>CLIP</b> , pipe, single, $\frac{1}{4}$ " o/d ... ..						2	L72	C	
	or										
5K/4345976	AS.4526/4	<b>CLIP</b> , $\frac{1}{2}$ " (Alt. R60/39—Mod. 5100) ... ..						2	—	C	
		Attaching parts for EEAS.143/6H:—									
28D/1010658	A25/1B	<b>Bolt</b> , 4 BA ... ..						1	—	C	
28M/1278189	AGS.2001/B1	<b>Nut</b> , 4 BA ... ..						1	—	C	
5259	EEAS.21/2ERH	<b>Washer</b> , special ... ..						1	L72	C	
5971	E.B7.73.39	<b>PIPE</b> , assembly, from undercarriage door jack sequence valve to union cone at wheel well diaphragm "open" line						1	DTD.5019	C	S.19
	or										
	E.B7.73.5209	<b>PIPE</b> , assembly (Alt. R60/80—Mod. 5100) ...						1	DTD 5019	LM	
	EEAS.237/17CH	<b>WASHER</b> , "D" (Alt. R60/39—Mod. 5100) ...						2	S.511	—	
	E.A3.73.531	<b>PIPES, HYDRAULIC, AT WHEEL WELL BAY DIAPHRAGM, ASSEMBLY</b>									
		Spares for:—									
829	E.A1.73.181	<b>CLIP</b> , thermal relief valve ... ..						1	—	C	
		Attaching parts for E.A1.73.181:—									
28D/9133014	A25/13C	<b>Bolt</b> , 2 BA ... ..						2	—	C	
28M/1278190	AGS.2001/C/1	<b>Nut</b> , 2 BA ... ..						2	—	C	
	AS.2307/030	<b>Tube</b> , distance ... ..						2	L72	LM	
5260	EEAS.143/5H	<b>CLIP</b> , pipe, single, $\frac{3}{8}$ " o/d., bonding ... ..						3	L72	C	S.19
5258	EEAS.143/6H	<b>CLIP</b> , pipe, single, $\frac{1}{4}$ " o/d., bonding ... ..						6	L72	C	S.19
	or										
		Alternative pipe clips (Alt. R60/39—Mod. 5100)									
5K/6323922	AS.4526/3	<b>CLIP</b> , $\frac{3}{8}$ " ... ..						3	—	C	
5K/4345976	AS.4526/4	<b>CLIP</b> , $\frac{1}{2}$ " ... ..						6	—	C	
		Attaching parts for EEAS.143/5H and EEAS.143/6H:—									
28D/1010658	A25/1B	<b>Bolt</b> , 4 BA ... ..						1	—	C	
28M/1278189	AGS.2001/B/1	<b>Nut</b> , 4 BA ... ..						1	—	C	
5259	EEAS.21/2ERH	<b>Washer</b> , special ... ..						1	L72	C	
28F/9463543	AGS.1120/1	<b>CONE</b> , tee ... ..						1	—	C	
5K/7000230	AS.3360/B3B	<b>LEAD</b> , bonding ... ..						1	—	C	
	or										
	AGS.2097/B3C	<b>LEAD</b> , bonding (Alt. R60/39—Mod. 5100) ...						1	—	LM	
905	E.A3.73.561	<b>PIPE</b> , assembly, from union cone at wheel well diaphragm to undercarriage door jack thermal relief valve tee cone, "open" line						1	DTD.5019	C	S.19
	or										
	E.A3.73.1241	<b>PIPE</b> , assembly (Alt. R60/80—Mod. 5100) ...						1	DTD.5019	LM	
4523	E.A3.73.647	<b>PIPE</b> , assembly, from thermal relief valve tee cone to thermal relief valve, "open" line						1	DTD.5019	C	S.19
4524	E.A3.73.649	<b>PIPE</b> , assembly, from thermal relief valve to undercarriage jack thermal return valve and relief line, 4-way cone						1	DTD.5019	C	S.19 S.20
	EEAS.237/17CH	<b>WASHER</b> , "D" (Alt. R60/39—Mod. 5100) ...						8	S.511	—	
	EEAS.239/1CH	<b>WASHER</b> , "D" (Alt. R60/39—Mod. 5100) ...						1	S.511	—	
	E.G4.73.77	<b>PIPES, HYDRAULIC, FOR AIR BRAKES ON OUTER WING RIB 3, ASSEMBLY</b>									
		Spares for:—									
28F/9439533	AGS.1129/B	<b>BANJO</b> , body, cone, flanged ... ..						1	—	C	
		Attaching parts for AGS.1129/B:—									
28F/9423227	AGS.1135/B	<b>Bolt</b> , banjo ... ..						1	—	C	
28F/9428453	AGS.1186/B	<b>Seal</b> , bonded ... ..						2	—	C	

**SERVICES**  
**HYDRAULIC EQUIPMENT IN PORT WING**

Ref. No.	Part No.	Description						No. off	Matl Spec.	Cl. of Equip. M.R. L.M.	Plate No.
		1	2	3	4	5	6				
5258	EEAS.143/6H or 5K/4345976	CLIP, pipe, single, 1/4" o/d., bonding ... ..						2	L.72	C	
	AS.4526/4	CLIP, 1/4" (Alt. R60/39—Mod. 5100) ... ..						2	—	C	
28D/1010658	A25/1B	Attaching parts for EEAS.143/6H:—									
28M/1278189	AGS.2001/B/1	Bolt, 4 BA ... ..						1	—	C	
5259	EEAS.21/2ERH	Nut, 4 BA ... ..						1	—	C	
		Washer, special ... ..						1	L.72	C	
28F/8011809	AGS.1104/B	CONE, adaptor ... ..						1	—	C	
		Attaching parts for AGS.1104/B:—									
28F/9428453	AGS.1186/B	Seal, bonded ... ..						1	—	C	
28F/1013402	AGS.1111/B	CONE, union, body ... ..						2	—	C	
		Attaching parts for AGS.1111/B:—									
28D/1010658	A25/1B	Bolt, 4 BA ... ..						3	—	C	
28M/9403519	A27/BP	Nut, 4 BA ... ..						3	—	C	
28F/9128928	AGS.1115/2	Washer, plate ... ..						1	—	C	
28W/9416642	SP.47/B	Washer, spring ... ..						3	—	C	
5K/7000231	AS.3360/B3C or AGS.2097/B3C	LEAD, bonding ... ..						2	—	C	
12504	E.A9.73.563	LEAD, bonding (Alt. R60/39—Mod. 5100) ... ..						2	—	LM	
		PIPE, coil, assembly, from bracket on rib 3 to airbrake hydraulic operating jack, "out" position						1	—	C	S.19
	or E.G4.73.147	PIPE, assembly (Alt. R60/80—Mod. 5100) ... ..						1	DTD.5019	LM	
12503	E.A9.73.561	PIPE, coil, assembly, from bracket on rib 3 to air brake hydraulic operating jack, "in" position						1	—	C	S.19
	or E.G4.73.149	PIPE, assembly (Alt. R60/80—Mod. 5100) ... ..						1	DTD.5019	LM	
	EEAS.239/1CH	WASHER, "D" (Alt. R60/39—Mod. 5100) ... ..						2	S.511	—	

**SERVICES**  
**HYDRAULIC EQUIPMENT IN STARBOARD WING**

Ref. No.	Part No.	Description						No. off	Matl Spec.	Cl. of Equip. M.R. L.M.	Plate No.
		1	2	3	4	5	6				
	E.G4.73.8	<b>HYDRAULIC EQUIPMENT IN STARBOARD WING, ASSEMBLY</b>						—	—	—	
	—	Consisting of:— <b>HYDRAULIC EQUIPMENT CIRCUIT, ASSEMBLY ... (E.A6.73.283)</b>						—	—	—	
		Spares for:—									
27M/461	LOCKHEED AIR.40016 LOCKHEED AVA.50E	<b>ACCUMULATOR, hydraulic ... ..</b>						1	—	A	S.20
		<b>COUPLING, AVERY, ASSEMBLY ... ..</b>						1	—	—	S.20
		Consisting of:—									
27BA/4110940	AVA.1152E	<b>FLANGE, half, medium ... ..</b>						1	—	B	
27BA/4110827	AVA.62/E	<b>NUT, tube ... ..</b>						1	—	B	
27BA/9508649	AVA.54E AVA.52C	<b>UNION, half ... ..</b>						1	—	B	
		<b>COUPLING, AVERY, ASSEMBLY ... ..</b>						1	—	—	S.20
		Consisting of:—									
27BA/9129632	AVA.57/C	<b>COUPLING, half union ... ..</b>						1	—	B	
27BA/4110824	AVA.58/C	<b>FLANGE, half ... ..</b>						1	—	B	
27BA/9157278	AVA.62/C	<b>NUT, tube ... ..</b>						1	—	B	
	DOWTY										
6A/2237916	↑ DOWTY	<b>GAUGE, pressure, Mk. 14LL ... ..</b>						1	—	A	S.20
27QM/4143616	O.7017Y.CO1	<b>JACK, operating main undercarriage (For spares see AP.4515B, Vol. 3)</b>						1	—	A	S.20
27QM/4143561	O.7016Y.CO1	<b>JACK, operating, flap (For spares see AP.4515B Vol. 3)</b>						2	—	A	S.20
	DOWTY										
27QM/4143591	O.8246Y.CO1	<b>JACK, operating, main undercarriage door (For spares see AP.4515B, Vol. 3)</b>						1	—	A	S.20
16504	E.B6.73.223	<b>JACK, FOR AIR BRAKE, ASSEMBLY ... ..</b>						1	—	A	S.19
		Spares for:—									
30780	E.A3.20.1195	<b>BLOCK, packing ... ..</b>						1	TUFNOL	LM	
4427	E.A3.20.1189	<b>BRACKET, micro switch mounting for two position brakes</b>						1	—	C	
	E.A3.20.1193	<b>CHANNEL ... ..</b>						1	L.72	—	
27QM/4170044	MESSIER 5232	<b>JACK, assembly (Pre-Mod. 4454) (For spares see AP.4515A, Vol. 3)</b>						1	—	A	S.19
	DOWTY										
27QM/1446726	103035001	<b>JACK, assembly (Mod. 4454) (For spares see AP.4515B, Vol. 3)</b>						1	—	A	
	or										
27QM/4170076	MESSIER J.5076	<b>JACK, assembly (Pre-Mod. 4454) (For spares see AP.4515A, Vol. 3)</b>						1	—	A	
	DOWTY										
27QM/1446725	103036001	<b>JACK, assembly (Mod. 4454) (For spares see AP.4515B, Vol. 3)</b>						1	—	A	
1642	E.A3.73.303	<b>NUT, special ... ..</b>						1	S.96	C	
4428	E.A3.20.1191	<b>SHOE, micro switch operating ... ..</b>						2	—	C	
25708	E.B6.20.819	<b>SLIDE, OPERATING, ASSEMBLY ... ..</b>						1	—	B	
		Spares for:—									
14715	E.B6.20.935	<b>BOLT, special (May be made from A25/6B)</b>						4	—	C	
5972	E.A3.20.1199	<b>PLATE, rubbing ... ..</b>						2	—	C	
1641	E.A3.73.505	<b>WASHER, tab ... ..</b>						1	—	C	
	DUNLOP										
27VA/4619945	2/W3/101/8/8/63	<b>PIPE, flexible, maxaret unit ... .. (Pre-Mod. 5100 or 5190)</b>						1	—	B	
27VA/6115884	2/W14/DAS 7005 /63	<b>PIPE, flexible, maxaret unit (Alt. R60/32—Mod. 5100 or Mod. 5190)</b>						1	—	B	

**SERVICES**  
**HYDRAULIC EQUIPMENT IN STARBOARD WING**

Ref. No.	Part No.	Description						No. off	Matl Spec.	Cl. of Equip. M.R. L.M.	Plate No.
		1	2	3	4	5	6				
27VA/4629946	DUNLOP 2/W3/101/8/10 /30	PIPE,	flexible,	maxaret	unit	...	...	1	—	B	
27VA/6115885	2/W14/DAS 7007 /30	PIPE,	flexible,	maxaret	unit	(Alt. R60/32—Mod. 5100 or Mod. 5190)		1	—	B	
27VA/4619898	4/W3/101/8/8 /14	PIPE,	flexible,	undercarriage	door,	"open" line	(Pre-Mod. 5100 or 5190)	1	—	B	
27VA/6115870	4/W14/DAS 7005 /14	PIPE,	flexible,	undercarriage	door,	"open" line	(Alt. R60/32—Mod. 5100 or Mod. 5190)	1	—	B	
27VA/4619899	4/W3/101/8/8 /18	PIPE,	flexible,	undercarriage	door,	"closed" line	(Pre-Mod. 5100 or 5190)	1	—	B	
27VA/6115871	4/W14/DAS 7005 /18	PIPE,	flexible,	undercarriage	door	"closed" line	(Alt. R60/32—Mod. 5100 or Mod. 5190)	1	—	B	
27VA/4619902	4/W3/101/8/8 /63	PIPE,	flexible,	hydraulic	brake	(Pre-Mod. 5100 or 5190)		1	—	B	
27VA/6115873	4/W14/DAS 7005 /63	PIPE,	flexible,	hydraulic	brake	(Alt. R60/32—Mod. 5100 or Mod. 5190)		1	—	B	
27VA/4611949	4/W3/101/8/10 /26 5	PIPE,	flexible,	hydraulic	brake	(Pre-Mod. 5100 or 5190)		1	—	B	
27VA/6115868	4/W14/DAS 7007 /26.5	PIPE,	flexible,	hydraulic	brake	(Alt. R60/32—Mod. 5100 or Mod. 5190)		1	—	B	
27VA/4619903	6/W3/101/8/8 /18	PIPE,	flexible,	undercarriage,	"up" line	...	...	1	—	B	
27VA/6115874	6/W14/DAS 7005 /18	PIPE,	flexible,	undercarriage,	"up" line	...	...	1	—	B	
27VA/4619904	6/W3/101/8/8 /25	PIPE,	flexible,	undercarriage,	"down" line	...	...	1	—	B	
27VA/6115875	6/W14/DAS 7005 /25	PIPE,	flexible,	undercarriage,	"down" line	...	...	1	—	B	
27VA/5298	6/W3/102/8/10 /40	PIPE,	flexible,	engine driven	pump,	delivery line	(Pre-Mod. 2150 or 5100)	1	—	B	
27VA/6115863	6/W2/102/8/10 /40	PIPE,	flexible,	engine driven	pump,	delivery line	(Alt. R60/32—Mod. 5100)	1	—	B	
27VA/4625956	6/W3/102/8/10 /44	PIPE,	flexible,	engine driven	pump,	delivery line	(Mod. 2150) (Pre-Mod. 5100 or Mod. 5190)	1	—	B	
27VA/6115865	6/W2/102/8/10 /44	PIPE,	flexible,	engine driven	pump,	delivery line	(Alt. R60/32—Mod. 5100 or Mod. 5190)	1	—	B	
27VA/3659	10/W3/121/8/10 /40	PIPE,	flexible,	engine driven	pump,	suction line	(Pre-Mod. 5100 or 5190)	1	—	B	
27VA/6115862	10/W2/121/8/10 /40	PIPE,	flexible,	engine driven	pump,	suction line	(Alt. R60/32—Mod. 5100 or Mod. 5190)	1	—	B	
37J/264	LOCKHEED AIR.41000	PUMP,	engine driven	(Pre-Mod. 2335)	(For spares see AP.4515N, Vol. 3)			1	—	A	
37J/266	LOCKHEED AIR.68000	PUMP,	engine driven	(Mod. 2335)	...	...	...	1	—	A	S.20
5CW/9438275	†	SWITCH,	micro,	type 1A,	3 terminal	...	...	2	—	B	
27QM/4143197	DOWTY C.4603Y Mk.E	VALVE,	thermal	type	...	...	...	2	—	A	S.19
27QM/4674311	DOWTY C.8697Y Mk.A	VALVE,	thermal	relief	(Mod. 3749)	...	...	1	—	A	

**SERVICES  
HYDRAULIC EQUIPMENT IN STARBOARD WING**

Ref. No.	Part No.							Description	No. off	Matl Spec.	Cl. of Equip. M.R. L.M.	Plate No.
		1	2	3	4	5	6					
27QM/4143190	DOWTY D.401Y Mk.J							VALVE, sequence, undercarriage door (For spares see AP.4515B, Vol. 3)	1	—	A	S.19
27Q/4143196	D.401Y Mk.M							VALVE, sequence, undercarriage (For spares see AP.4515B, Vol. 3)	1	—	A	S.20
27Q/919	DOWTY D.3371 Mk.E							VALVE, restrictor (Pre-Mod. 3937) ... ..	3	—	A	S.20
27Q/70290	O.3371Y BO6							VALVE, restrictor (Mod. 3937) ... ..	1	—	A	
27QM/4113203	DOWTY C.6790Y Mk.A							VALVE, transfer, undercarriage jack (For spares see AP.4515B, Vol. 3)	1	—	A	S.20
27Q/1506	DOWTY 6209Y							VALVE, restrictor, undercarriage door jack (Pre-Mod. 3937)	1	—	A	
27Q/4143176	DOWTY O.6209Y BO1							VALVE, restrictor, undercarriage door jack (Mod. 3937)	1	—	A	
28Y/9701165	H. PRESSURE COMPS. GYP.A.58							VALVE, charging ... ..	1	—	C	S.20
27M/615	LOCKHEED AIR.41158							VALVE, cut-out (Pre-Mod. 1265 and 4280) ...	1	—	A	S.20
27M/4600791	LOCKHEED AIR.43634							VALVE, cut-out (Mod. 1265 and 4280) ... ..	1	—	A	
27W/10	LOCKHEED U.M.C.706							VALVE, non-return (Pre-Mod. 3368) ... ..	3	—	A	S.20
27W/4619632	U.M.C.706/4 E.86.73.354							VALVE, non-return (Mod. 3368) ... ..	3	—	A	
9787	E.A1.73.107							PIPES, HYDRAULIC, ON MAIN SPAR, ASSEMBLY Spares for:—	—	—	—	
28D/9436920	A25/1C							BRACKET ... ..	1	—	C	
28M/9403520	A27/CP							Attaching parts for E.A1.73.107:—				
28W/9416643	SP.47/C							Bolt, 2 BA ... ..	4	—	C	
								Nut, 2 BA ... ..	4	—	C	
								Washer, spring ... ..	4	—	C	

Continued on Page SU.3

Ref. No.	Part No.							No. off	Matl Spec.	Cl. of Equip. M.R. L.M.	Plate No.
		1	2	3	4	5	6				

**SERVICES**  
**HYDRAULIC EQUIPMENT IN STARBOARD WING**

Ref. No.	Part No.	Description						No. off	Matl Spec.	Cl. of Equip. M.R. L.M.	Plate No.
		1	2	3	4	5	6				
16500	E.A6.73.61	<b>BRACKET</b> ... ..						1	—	C	
		Attaching parts for E.A6.73.61:—									
28D/9436920	A25/1C	Bolt, 2 BA ... ..						4	—	C	
28M/9403520	A27/CP	Nut, 2 BA ... ..						4	—	C	
28W/9416643	SP.47/C	Washer, spring ... ..						4	—	C	
9773	E.A3.73.790	<b>BRACKET</b> ... ..						1	—	C	
		Attaching parts for E.A3.73.790:—									
28D/9436920	A25/1C	Bolt, 2 BA ... ..						4	—	C	
28M/9403520	A27/CP	Nut, 2 BA ... ..						4	—	C	
28W/9416643	SP.47/C	Washer, spring ... ..						4	—	C	
16498	E.A3.73.793	<b>BRACKET</b> ... ..						1	—	C	
		Attaching parts for E.A3.73.793:—									
28D/9436920	A25/1C	Bolt, 2 BA ... ..						4	—	C	
28W/9403520	A27/CP	Nut, 2 BA ... ..						4	—	C	
28W/9416643	SP.47/C	Washer, spring ... ..						4	—	C	
16502	E.A6.73.79	<b>BRACKET, pipe, flexible</b> ... ..						1	—	C	
		Attaching parts for E.A6.73.79:—									
28S/9992525	A32/B12	Screw, 4 BA ... ..						4	—	C	
28W/9416642	SP.47/B	Washer, spring ... ..						4	—	C	
829	E.A1.73.181	<b>CLIP, thermal relief valves and flexible pipes (Pre-Mod. 3749)</b>						3	L.72	C	S.20
829	E.A1.73.181	<b>CLIP, thermal relief valves and flexible pipes (Mod. 3749)</b>						4	L.72	C	
5528	E.A3.73.797	<b>CLIP, transfer valve</b> ... ..						1	—	C	S.20
28E/1059357	AS.2081/3	<b>CLIP, 1/8" i/d., with earthing tongue (Pre-Mod. 3749)</b>						3	—	C	
28E/1059357	AS.2081/3	<b>CLIP, 1/8" i/d. with earthing tongue (Mod. 3749)</b>						4	—	C	
28E/1059358	AS.2081/4	<b>CLIP, 1/8" i/d., with earthing tongue (Mod. 3749)</b>						1	—	C	
28E/1059359	AS.2081/6	<b>CLIP, 1/8" i/d., with earthing tongue (Mod. 3749)</b>						7	—	C	
7136	EEAS.143/21	<b>CLIP, pipe, single, 1/2" o/d.</b> ... ..						3	L.72	C	S.20
6068	EEAS.143/24	<b>CLIP, pipe, single, 3/4" o/d.</b> ... ..						3	L.72	C	S.20
	or	Alternative pipe clips (Alt. R60/39—Mod. 5100)									
5K/6323922	AS.4526/3	<b>CLIP, 1/8"</b> ... ..						4	—	C	
5K/4345976	AS.4526/4	<b>CLIP, 1/8"</b> ... ..						1	—	C	
5K/4345977	AS.4526/6	<b>CLIP, 1/8"</b> ... ..						14	—	C	
28E/9130689	AS.5419/8	<b>CLIP, 1/8"</b> ... ..						3	—	C	
28E/9130755	AS.5419/12	<b>CLIP, 1/8"</b> ... ..						3	—	C	
		Attaching parts for E.A1.73.181, E.A3.73.797, AS.2081/3, AS.2081/4, AS.2081/6, EEAS.143/21 and EEAS.143/24:—									
28D/1010658	A25/1B	Bolt, 4 BA (As required) ... ..						1	—	C	
28D/1008149	A25/2B	Bolt, 4 BA (As required) ... ..						1	—	C	
28D/9419452	A25/3B	Bolt, 4 BA (As required) ... ..						1	—	C	
28D/9133011	A25/2C	Bolt, 2 BA (As required) ... ..						1	—	C	
28D/1011019	A25/8C	Bolt, 2 BA (As required) ... ..						1	—	C	
28D/9140645	A25/10C	Bolt, 2 BA (As required) ... ..						2	—	C	
28D/9140647	A25/14C	Bolt, 2 BA (As required) ... ..						1	—	C	
28M/9403519	A27/BP	Nut, 4 BA (As required) ... ..						1	—	C	
28M/9403520	A27/CP	Nut, 2 BA (As required) ... ..						1	—	C	
6062	E.A1.70.73	Washer, special (As required) ... ..						1	—	C	S.20
12030	EEAS.21/2ER	Washer, special (As required) ... ..						1	—	C	
12929	EEAS.21/9ER	Washer, special (As required) ... ..						1	—	C	S.20
28W/9419402	SP.13/C	Washer (As required) ... ..						2	—	C	
28W/9416642	SP.42/B	Washer, spring (As required) ... ..						1	—	C	
28W/9416643	SP.47/C	Washer, spring (As required) ... ..						1	—	C	

**SERVICES**  
**HYDRAULIC EQUIPMENT IN STARBOARD WING**

Ref. No.	Part No.	Description	No. off	Matl Spec.	Cl. of Equip.	Plate No.
					M.R. L.M.	
		1 2 3 4 5 6				
806	E.A1.73.177	<b>CONE</b> , tee ... ..	1	DTD.683	C	S.20
28F/9129085	AGS.1102/A	<b>CONE</b> , union body ... ..	1	—	C	
28F/8011883	AGS.1102/B	<b>CONE</b> , union body ... ..	1	—	C	
28F/9471001	AGS.1102/C	<b>CONE</b> , union body (Pre-Mod. 3749) ... ..	1	—	C	
28F/9475460	AGS.1123/A	<b>CONE</b> , 4-way ... ..	1	—	C	
28F/9508223	AGS.1123/C	<b>CONE</b> , 4-way ... ..	1	—	C	
9789	E.A1.73.109	<b>GUARD</b> , pipe, flexible ... ..	1	—	C	
		Attaching parts for E.A1.73.109:—				
28D/1212940	A61/2C	Nut, 2 BA ... ..	4	—	C	
28M/4095911	A29/CP	Nut, 2 BA ... ..	4	—	C	
28W/9416643	SP.47/C	Washer, spring ... ..	4	—	C	
927	E.A3.73.538	<b>PIPE</b> , assembly, from sequence valve 4-way cone, to union body undercarriage jack "down" line	1	DTD.5019	C	S.20
2010	E.A3.73.544	<b>PIPE</b> , assembly, from sequence valve 4-way cone, to sequence valve connection on rib 3 wheel well bay, undercarriage door "open" line	1	DTD.5019	C	S.19 S.20
1740	E.A3.73.550	<b>PIPE</b> , assembly, from union body on rib B, to union body inboard rib A, brake pressure line	1	DTD.5019	C	S.20
		or				
4525	E.A3.73.1234 E.A3.73.652	<b>PIPE</b> , assembly (Alt. R60/80—Mod. 5100) ... .. <b>PIPE</b> , assembly, from undercarriage and door jacks thermal relief valve, to 4-way cone return line	1 1	DTD.5019 DTD.5019	LM C	S.20
5536	E.A3.73.730	<b>PIPE</b> , assembly, from 4-way cone, to union cone inboard rib A, return line	1	DTD.5019	C	S.20
5537	E.A3.73.801	<b>PIPE</b> , assembly, from union cone inboard rib A, to transfer valve, undercarriage jack "up" line (Pre-Mod. 3749)	1	DTD.5019	C	S.20
41176	E.A3.73.5137	<b>PIPE</b> , assembly, from union cone inboard rib A, to transfer valve, undercarriage jack "up" line (Mod. 3749)	1	DTD.5019	C	
41178	E.A3.73.5140	<b>PIPE</b> , assembly, from thermal relief valve C 8697, to tee piece (Mod. 3749)	1	DTD.5019	C	
41180	E.A3.73.5142	<b>PIPE</b> , assembly, from thermal relief valve C 8697, to 4-way piece (Mod. 3749)	1	DTD.5019	C	
41174	E.A3.73.5134	<b>PIPE</b> , assembly, from thermal relief valve C.4603Y, to 4-way piece (Mod. 3749)	1	DTD.5019	C	
5538	E.A3.73.805	<b>PIPE</b> , assembly, from thermal relief valve tee cone, to transfer valve, undercarriage jack "up" line	1	DTD.5019	C	S.20
5539	E.A3.73.808	<b>PIPE</b> , assembly, from transfer valve, to union body at rib C, undercarriage jack "up" line	1	DTD.5019	C	S.20
5540	E.A3.73.810	<b>PIPE</b> , assembly, from tee cone to thermal relief valve, undercarriage jack "up" line (Pre-Mod. 3749)	1	DTD.5019	C	S.20
13148	E.A3.73.888	<b>PIPE</b> , assembly, from union body on rib B, to 4-way cone, maxaret unit return line	1	DTD.5019	C	S.20
9790	E.A1.73.297	<b>PLATE</b> , back (Used with E.A1.73.109) ... ..	1	—	C	
28F/9439766	AGS.1106/C	<b>UNION</b> , body ... ..	2	—	C	
28F/9504828	AGS.1147/A	<b>UNION</b> , body, hexagon ... ..	1	—	C	
		Attaching parts for AGS.1147/A:—				
28F/9453689	AGS.1148/A	Nut, 1" BSP ... ..	1	—	C	
28F/9157965	AGS.1149/1	Washer, plate ... ..	2	—	C	
28F/9130662	AGS.1147/B	<b>UNION</b> , body, hexagon ... ..	1	—	C	
		Attaching parts for AGS.1147/B:—				
28F/1010558	AGS.1148/B	Nut, 1" BSP ... ..	1	—	C	
28F/9130664	AGS.1149/2	Washer, plate ... ..	2	—	C	

**SERVICES**  
**HYDRAULIC EQUIPMENT IN STARBOARD WING**

Ref. No.	Part No.	Description						No. off	Matl Spec.	Cl. of Equip. M.R. L.M.	Plate No.
		1	2	3	4	5	6				
28F/9489760	AGS.1125/4							1	—	C	
	EEAS.239/1CH							10	S.511	—	
26DK/24376	EEAS.239/2CH							3	S.511	C	
	E.A6.73.42							—	—	—	
1875	E.A3.73.601							1	—	C	
28F/9428453	AGS.1186/B							1	—	C	
11736	E.A6.73.278							1	L.72	C	S.20
5970	E.A6.73.93							2	—	C	S.20
4965	EEAS.143/5							1	L.72	C	S.20
5542	EEAS.143/6							1	L.72	C	S.20
	or										
5K/6323922	AS.4526/3							1	—	C	
5K/4345976	AS.4526/4							1	—	C	
28D/1010658	A25/1B							1	—	C	
28M/9403519	A27/BP							1	—	C	
28W/1010155	AGS.162/B							1	—	C	
7136	EEAS.143/21							1	L.72	C	S.20
6068	EEAS.143/24							1	L.72	C	S.20
	or										
28E/9130689	AS.5419/8							1	—	C	
28E/9130755	AS.5419/12							1	—	C	
28D/9133011	A25/2C							1	—	C	
28W/9419404	SP.16/C							1	—	C	
28F/8011809	AGS.1104/B							1	—	C	
28F/9428453	AGS.1186/B							1	—	C	
5977	E.A6.73.114							1	DTD.5019	C	S.20
	or										
	E.B7.73.5208							1	DTD.5019	LM	
5978	E.A6.73.116							1	DTD.5019	C	S.20
1876	E.A3.73.599							1	DTD.5044	C	
28F/9504828	AGS.1147/A							2	—	C	
28F/9453689	AGS.1148/A							1	—	C	
28F/9157965	AGS.1149/1							2	—	C	
28F/9130662	AGS.1147/B							1	—	C	
28F/1010558	AGS.1148/B							1	—	C	
28F/9130664	AGS.1149/2							2	—	C	
25585	E.A6.73.275							2	—	C	
	EEAS.237/17CH							1	S.511	—	
26DK/24376	EEAS.239/2CH							1	S.511	C	

**SERVICES**  
**HYDRAULIC EQUIPMENT IN STARBOARD WING**

Ref. No.	Part No.	Description	No. off	Matl Spec.	Cl. of Equip.	Plate No.
					M.R. L.M.	
	E.A1.73.92	<b>PIPES, HYDRAULIC, FLAP JACK, ASSEMBLY ...</b> (For Aircraft Not Embodying Mod. 5100) Spares for:—	—	—	—	
1880	EEAS.91/1	<b>CLIP</b> , pipe, double, 1/2" o/d. ... ..	11	L.16	C	S.19
1242	E.A3.73.773	<b>CLIP</b> , pipe, double, 1/2" o/d. ... ..	3	L.72	C	S.19
		Attaching parts for EEAS.91/1 and E.A3.73.773:—				
28D/1010658	A25/1B	Bolt, 4 BA (As required) ... ..	1	—	C	
28D/1011006	A25/5B	Bolt, 4 BA (As required) ... ..	1	—	C	
28M/9403519	A27/BP	Nut, 4 BA (As required) ... ..	1	—	C	
	AS.2807/4/04	Tube, distance (As required) ... ..	1	L.62	LM	
5259	EEAS.21/2ERH	Washer, special (As required) ... ..	1	—	C	
28W/1010155	AGS.162/B	Washer, spring (As required) ... ..	1	—	C	
5258	EEAS.143/6H	<b>CLIP</b> , pipe, single, 1/2" o/d., bonding ... ..	4	L.72	C	S.19
		Attaching parts for EEAS.143/6H:—				
28D/1010658	A25/1B	Bolt, 4 BA ... ..	4	—	C	
28M/1278189	AGS.2001/B/1	Nut, 4 BA, aerotight ... ..	4	—	C	
28W/9419465	SP.13/B	Washer ... ..	4	—	C	
5259	EEAS.21/2ERH	Washer, special ... ..	4	L.72	C	
28F/8011811	AGS.1118/B	<b>CONE</b> , tee ... ..	2	—	C	
28F/8011883	AGS.1102/B	<b>CONE</b> , union body ... ..	6	—	C	
870	E.A1.73.94	<b>FAIRLEAD</b> , at inboard wing, rib 7 ... ..	1	BS.2572	C	S.19
		Attaching parts for E.A1.73.94:—				
28D/1011013	A25/13B	Bolt, 4 BA ... ..	2	—	C	
28M/9403519	A27/BP	Nut, 4 BA ... ..	2	—	C	
28W/1010155	AGS.162/B	Washer, spring ... ..	2	—	C	
871	E.A1.73.92A	<b>PIPE</b> , assembly, from union cone between inboard wing ribs 1 and 2 to inboard flap jack tee cone, "down" line	1	DTD.5019	C	S.19
872	E.A1.73.92B	<b>PIPE</b> , assembly, from union cone between inboard wing ribs 1 and 2 to inboard flap jack tee cone, "up" line	1	DTD.5019	C	S.19
873	E.A1.73.92C	<b>PIPE</b> , assembly, from tee to inboard flap jack, "up" line	1	DTD.5019	C	S.19
874	E.A1.73.92D	<b>PIPE</b> , assembly, from tee to inboard flap jack, "down" line	1	DTD.5019	C	S.19
875	E.A1.73.92E	<b>PIPE</b> , assembly, from inboard flap jack tee cone to union cone at inboard wing rib 7, "down" line	1	DTD.5019	C	S.19
876	E.A1.73.92F	<b>PIPE</b> , assembly, from inboard flap jack tee cone to union cone at inboard wing rib 7, "up" line	1	DTD.5019	C	S.19
877	E.A1.73.92G	<b>PIPE</b> , assembly, from union cone at inboard wing rib 7 to union cone at outboard wing rib 2A, "down" line	1	DTD.5019	C	S.19
878	E.A1.73.92H	<b>PIPE</b> , assembly, from union cone at inboard wing rib 7 to union cone at outboard wing rib 2A, "up" line	1	DTD.5019	C	S.19
879	E.A1.73.92J	<b>PIPE</b> , assembly, from union cone at outboard wing rib 2A to outboard flap jack, "down" line	1	DTD.5019	C	S.19
880	E.A1.73.92K	<b>PIPE</b> , assembly, from union cone at outboard wing rib 2A to outboard flap jack, "up" line	1	DTD.5019	C	S.19

**SERVICES**  
**HYDRAULIC EQUIPMENT IN STARBOARD WING**

Ref. No.	Part No.	Description						No. off	Matl Spec.	Cl. of Equip. M.R. L.M.	Plate No.
		1	2	3	4	5	6				
	E.K5.73.18	<b>PIPES, HYDRAULIC, FLAP JACK, ASSEMBLY ...</b> (ALT. R60/313—MOD. 5100)									
		Spares for:—									
	E.A3.20.4004	<b>BRACKET</b> , fairlead support, inboard flap shroud, 18 SWG						1	L.72	—	
	E.A3.20.4003	<b>BRACKET</b> , fairlead support, inboard flap shroud, 18 SWG						5	L.72	—	
	E.A3.20.4006	<b>BRACKET</b> , fairlead support, outboard flap shroud, 18 SWG						3	L.72	—	
	E.A3.20.4008	<b>BRACKET</b> , fairlead support, outboard flap shroud, 18 SWG						1	L.72	—	
5K/4345976	AS.4526/4	<b>CLIP</b> , 1/2" (Alt. R60/39—Mod. 5100) ... ..						4	—	C	
5K/1037288	AS.4525/4	<b>CLIP</b> , 1/2" ... ..						6	—	C	
28F/9439531	AGS.952/B	<b>COLLAR</b> ... ..						4	—	C	
28F/8011811	AGS.1118/B	<b>CONE</b> , tee ... ..						2	—	C	
28F/8011883	AGS.1102/B	<b>CONE</b> , union body ... ..						2	—	C	
6101241	E.A3.20.3993	<b>FAIRLEAD</b> , assembly, pipe support, inboard flap shroud						6	BS.2572 Type F3	C	
6101242	E.A3.20.3997	<b>FAIRLEAD</b> , assembly, pipe support, outboard flap shroud						4	BS.2572 Type F3	C	
		Attaching parts for E.A3.20.3993 or E.A3.20.3997:—									
28D/1011019	A25/8C	Bolt, 2 BA ... ..						2	—	C	
28M/1278190	AGS.2001/C/1	Nut, 2 BA ... ..						2	—	C	
28W/9419475	SP.15/C	Washer ... ..						2	—	C	
	E.A3.73.1115	<b>FAIRLEAD</b> , assembly, pipe support, ribs 7 and 1						2	BS.2572 Type F3	—	
		Attaching parts for E.A3.73.1115:—									
28D/1010030	A25/7C	Bolt, 2 BA ... ..						4	—	C	
28M/1278190	AGS.2001/C/1	Nut, 2 BA ... ..						4	—	C	
	AS.2811/5/060	Tube, distance, 17 SWG ... ..						4	L.72	LM	
28624	EEAS.28/8ER	Washer ... ..						4	—	C	
	E.B4.73.713	<b>FAIRLEAD</b> , assembly, pipe support on engine arch						3	—	—	
		Attaching parts for E.B4.73.713:—									
28D/1010030	A25/7C	Bolt, 2 BA ... ..						1	—	C	
28M/1278190	AGS.2001/C/1	Nut, 2 BA ... ..						1	—	C	
	AGS.2097/B3C	<b>LEAD</b> , bonding (Alt. R60/39—Mod. 5100) ...						4	—	LM	
	AGS.2097/C3C	<b>LEAD</b> , bonding ... ..						2	—	LM	
	AGS.2097/C6C	<b>LEAD</b> , bonding ... ..						2	—	LM	
28F/8011885	AGS.1142/B	<b>NIPPLE</b> , adapter ... ..						4	—	C	
28F/1014650	AGS.1170/B	<b>NIPPLE</b> : ... ..						6	—	C	
	E.A3.73.1149	<b>PIPE</b> , assembly, from fuselage coupling to inboard jack tee, flaps "down" line						1	DTD.5019	LM	
	E.A3.73.1145	<b>PIPE</b> , assembly, from fuselage coupling to inboard jack tee, flaps "up" line						1	DTD.5019	LM	
	E.A3.73.1141	<b>PIPE</b> , assembly, from inboard jack tee to jack "down" connection						1	DTD.5019	LM	
	E.A3.73.1137	<b>PIPE</b> , assembly, from inboard jack tee to jack "up" connection						1	DTD.5019	LM	
	E.A3.73.1129	<b>PIPE</b> , assembly, from inboard jack tee to spar coupling, flaps "down" line						1	DTD.5019	LM	
	E.A3.73.1127	<b>PIPE</b> , assembly, from inboard jack tee to spar coupling, flaps "up" line						1	DTD.5019	LM	

**SERVICES**  
**HYDRAULIC EQUIPMENT IN STARBOARD WING**

Ref. No.	Part No.	Description						No. off	Matl Spec.	Cl. of Equip. M.R. L.M.	Plate No.
		1	2	3	4	5	6				
	E.A3.73.1096	PIPE, assembly, from spar coupling, inboard wing to coupling inboard of rib 7, flaps "down" line						1	DTD.5019	LM	
	E.A3.73.1094	PIPE, assembly, from spar coupling, inboard wing to coupling inboard of rib 7, flaps "up" line						1	DTD.5019	LM	
	E.A3.73.1100	PIPE, assembly, transverse across engine arch, flaps "down" line						1	DTD.5019	LM	
	E.A3.73.1098	PIPE, assembly, transverse across engine arch, flaps "up" line						1	DTD.5019	LM	
	E.A3.73.1104	PIPE, assembly, from outer wing coupling, rib 1 to spar coupling, flaps "down" line						1	DTD.5019	LM	
	E.A3.73.1102	PIPE, assembly, from outer wing coupling, rib 1 to spar coupling, flaps "up" line						1	DTD.5019	LM	
	E.A3.73.1108	PIPE, assembly, from outer wing spar coupling to coupling, trailing edge rib 2A, flaps "down" line						1	DTD.5019	LM	
	E.A3.73.1106	PIPE, assembly, from outer wing spar coupling to coupling, trailing edge rib 2A, flaps "up" line						1	DTD.5019	LM	
	E.A3.73.1133	PIPE, assembly, from coupling, rib 2A to outer wing jack connection, flaps "down" line						1	DTD.5019	LM	
	E.A3.73.1131	PIPE, assembly, from coupling, rib 2A to outer wing jack connection, flaps "up" line						1	DTD.5019	LM	
28F/9439527	AGS.954/B	SLEEVE, outer ... ..						4	—	C	
20778	EEAS.20/2ER	TAB, locking ... ..						4	—	C	
32B/1250505	†	TAPE, glasscloth ... ..						QR	—	C	
28F/8011887	AGS.1113/B	UNION, flanged, bulkhead ... ..						4	—	C	
		Attaching parts for AGS.1113/B:—									
28D/1008149	A25/2B	Bolt, 4 BA ... ..						6	—	C	
28M/9403519	A27/BP	Nut, 4 BA ... ..						6	—	C	
28W/9419465	SP.13/B	Washer ... ..						6	—	C	
28F/9128928	AGS.1115/2	Washer, plate ... ..						1	—	C	
	EEAS.239/1CH	WASHER, "D" for pipe clips (Alt. R60/39—Mod. 5100)						4	S.511	—	

**SERVICES**  
**HYDRAULIC EQUIPMENT IN STARBOARD WING**

Ref. No.	Part No.	Description						No. off	Matl Spec.	Cl. of Equip. M.R. L.M.	Plate No.
		1	2	3	4	5	6				
	E.A1.73.282	<b>PIPES, HYDRAULIC, FOR AIR BRAKE, CENTRE WING, ASSEMBLY</b>						—	—	—	
		Spares for:—									
5258	EEAS.143/6H	<b>CLIP</b> , pipe, single, 1/2" o/d, bonding ... ..						14	L.72	C	S.19
	or										
5K/4345976	AS.4526/4	<b>CLIP</b> , 1/2" (Alt. R60/39—Mod. 5100) ... ..						14	—	C	
		Attaching parts for EEAS.143/6H:—									
28D/1010658	A25/1B	Bolt, 4 BA ... ..						1	—	C	
28M/1278189	AGS.2001/B/1	Nut, 4 BA ... ..						1	—	C	
	5259	Washer, special ... ..						1	L.72	C	
28W/9416642	EEAS.21/2ERH	Washer, spring ... ..						1	—	C	
	SP.47/B										
28F/8011883	AGS.1102/B	<b>CONE</b> , union body ... ..						4	—	C	
5K/7000230	AS.3360/B3B	<b>LEAD</b> , bonding ... ..						2	—	C	
	or										
	AGS.2097/B3C	<b>LEAD</b> , bonding (Alt. R60/39—Mod. 5100) ... ..						2	—	LM	
935	E.A1.73.282A	<b>PIPE</b> , assembly, between fuselage and union cone at centre wing ribs 3 and 4, "in" line						1	DTD.5019	C	S.19
	or										
	E.A3.73.1244	<b>PIPE</b> , assembly (Alt. R60/80—Mod. 5100) ... ..						1	DTD.5019	LM	
936	E.A1.73.282B	<b>PIPE</b> , assembly, between fuselage and union cone at centre wing ribs 3 and 4, "out" line						1	DTD.5019	C	S.19
	or										
	E.A3.73.1246	<b>PIPE</b> , assembly (Alt. R60/80—Mod. 5100) ... ..						1	DTD.5019	LM	
1638	E.A1.73.282E	<b>PIPE</b> , assembly, between union cone at ribs 3 and 4 to union cone between ribs 6 and 7, "in" line						1	DTD.5019	C	S.19
	or										
	E.A3.73.1248	<b>PIPE</b> , assembly (Alt. R60/80—Mod. 5100) ... ..						1	DTD.5019	LM	
1639	E.A1.73.282F	<b>PIPE</b> , assembly, between union cone at ribs 3 and 4 to union cone between ribs 6 and 7, "out" line						1	DTD.5019	C	S.19
	or										
	E.A3.73.1250	<b>PIPE</b> , assembly (Alt. R60/80—Mod. 5100) ... ..						1	DTD.5019	LM	
	EEAS.237/17CH	<b>WASHER</b> , "D" (Alt. R60/39—Mod. 5100) ... ..						12	S.511	—	
	EEAS.239/1CH	<b>WASHER</b> , "D" (Alt. R60/39—Mod. 5100) ... ..						2	S.511	—	
	E.G4.73.76	<b>PIPES, HYDRAULIC, FOR AIR BRAKE, OUTER WING, ASSEMBLY</b>						—	—	—	
		Spares for:—									
5258	EEAS.143/6H	<b>CLIP</b> , pipe, single, 1/2" o/d, bonding ... ..						18	L.72	C	
	or										
5K/4345976	AS.4526/4	<b>CLIP</b> , 1/2" (Alt. R60/39—Mod. 5100) ... ..						18	—	C	
		Attaching parts for EEAS.143/6H:—									
28D/1010658	A25/1B	Bolt, 4 BA (As required) ... ..						1	—	C	
28D/1008149	A25/2B	Bolt, 4 BA (As required) ... ..						1	—	C	
28M/9403519	A27/BP	Nut, 4 BA (As required) ... ..						1	—	C	
28M/1278189	AGS.2001/B/1	Nut, 4 BA (As required) ... ..						1	—	C	
	5259	Washer, special (As required) ... ..						1	L.72	C	
28W/9416642	EEAS.21/2ERH	Washer, spring (As required) ... ..						1	—	C	
	SP.47/B										
28F/8011883	AGS.1102/B	<b>CONE</b> , union, body ... ..						6	—	C	
5K/7000230	AS.3360/B3B	<b>LEAD</b> , bonding ... ..						2	—	C	
	or										
	AGS.2097/B3C	<b>LEAD</b> , bonding (Alt. R60/39—Mod. 5100) ... ..						2	—	LM	
945	E.A1.73.284C	<b>PIPE</b> , assembly, from union cone between outer wing ribs 1 and 2A to union cone between ribs 2 and 2B "in" line						1	DTD.5019	C	S.19
	or										
	E.A3.73.1252	<b>PIPE</b> , assembly (Alt. R60/80—Mod. 5100) ... ..						1	DTD.5019	LM	

**SERVICES**  
**HYDRAULIC EQUIPMENT IN STARBOARD WING**

Ref. No.	Part No.	Description	No. off	Matl Spec.	Cl. of Equip.	Plate No.
					M.R. L.M.	
		1 2 3 4 5 6				
946	E.A1.73.284D	<b>PIPE</b> , assembly, from union cone between outer wing ribs 1 and 2A to union cone between ribs 2 and 2B, "out" line	1	DTD.5019	C	S.19
	or					
947	E.A3.73.1254 E.A1.73.284E	<b>PIPE</b> , assembly (Alt. R60/80—Mod. 5100) ... <b>PIPE</b> , assembly, from union cone between ribs 2 and 2B to union cone between ribs 3A and 3, "in" line	1 1	DTD.5019 DTD.5019	LM C	S.19
	or					
948	E.A3.73.1256 E.A1.73.284F	<b>PIPE</b> , assembly (Alt. R60/80—Mod. 5100) ... <b>PIPE</b> , assembly, from union cone between ribs 2 and 2B to union cone between ribs 3A and 3, "out" line	1 1	DTD.5019 DTD.5019	LM C	S.19
	or					
1985	E.A3.73.1259 E.A1.73.284J	<b>PIPE</b> , assembly (Alt. R60/80—Mod. 5100) ... <b>PIPE</b> , assembly, from union cone between centre wing ribs 6 and 7 to union cone between outer wing ribs 1 and 2A, "out" line	1 1	DTD.5019 DTD.5019	LM C	S.19
	or					
1986	E.A3.73.1264 E.A1.73.284K	<b>PIPE</b> , assembly (Alt. R60/80—Mod. 5100) ... <b>PIPE</b> , assembly, from union cone between centre wing ribs 6 and 7 to union cone between outer wing ribs 1 and 2A, "in" line	1 1	DTD.5019 DTD.5019	LM C	S.19
	or					
33302	E.A3.73.1266 E.B6.73.364	<b>PIPE</b> , assembly (Alt. R60/80—Mod. 5100) ... <b>PIPE</b> , assembly, from union cone between ribs 3A and 3, to bracket on rib 3, "out" line	1 1	DTD.5019 —	LM C	S.19
	or					
33303	E.G4.73.144 E.B6.73.366	<b>PIPE</b> , assembly (Alt. R60/80—Mod. 5100) ... <b>PIPE</b> , assembly, from union cone between ribs 3A and 3, to bracket on rib 3, "in" line	1 1	DTD.5019 —	LM C	S.19
	or					
	E.G4.73.146 EEAS.237/17CH EEAS.239/1CH E.A3.73.816	<b>PIPE</b> , assembly (Alt. R60/80—Mod. 5100) ... <b>WASHER</b> , "D" (Alt. R60/39—Mod. 5100) ... <b>WASHER</b> , "D" (Alt. R60/39—Mod. 5100) ... <b>PIPES, HYDRAULIC, ON FUSELAGE SIDE WHEEL WELL BAY, ASSEMBLY</b> Spares for:—	1 16 2 —	DTD.5019 S.511 S.511 —	LM — — —	
911	E.A1.73.277	<b>BOLT</b> , special, banjo fitting, variable flow valve pipe connection	1	S.96	C	S.20
737	E.A1.73.179	<b>CLIP</b> , pipe, flexible ¼" BSP ...	1	—	C	S.20
6119336	or E.A3.73.1461	<b>CLIP</b> , pipe, flexible (Alt. R60/32—Mod. 5100 or Mod. 5190)	1	S.97	C	
28D/1010030	A25/7C	Attaching parts for E.A1.73.179 or E.A3.73.1461:— Bolt, 2 BA ...	2	—	C	
28M/9403520	A27/CP	Nut, 2 BA ...	2	—	C	
28W/9416643	SP.47/C	Washer, spring ...	2	—	C	
5348	EEAS.143/8H	<b>CLIP</b> , pipe, single, ¾" o/d, bonding ...	5	L.72	C	S.20
	or					
5K/4345977	AS.4525/6	<b>CLIP</b> , ¾" (Alt. R60/39—Mod. 5100) ...	5	—	C	
5526	EEAS.91/3	<b>CLIP</b> pipe, double, ¾" o/d ...	3	L.72	C	S.20
28D/1010658	A25/1B	Attaching parts for EEAS.143/8H and EEAS.91/3:— Bolt, 4 BA ...	1	—	C	
28M/1278189	AGS.2001/B/1	Nut, 4 BA ...	1	—	C	
5259	EEAS.21/2ERH	Washer, special ...	1	L.72	C	S.20
28F/9476124	AGS.1118/C	<b>CONE</b> , tee ...	1	—	C	

**SERVICES  
HYDRAULIC EQUIPMENT IN STARBOARD WING**

Ref. No.	Part No.	1	2	3	4	5	6	Description	No. off	Matl Spec.	Cl. of Equip.		Plate No.
											M.R.	L.M.	
912	E.A1.73.183							<b>FITTING</b> , right angle, banjo body, special connection for undercarriage door jack and sequence valve connections	1	—	C		S.20
5K/7000230	AS.3360/B3B or AGS.2097/B3C							<b>LEAD</b> , bonding ... ..	1	—	C		
919	E.A3.73.552							<b>LEAD</b> , bonding (Alt. R60/39—Mod. 5100) ... <b>PIPE</b> , assembly, from special banjo fitting at undercarriage door jack hose to variable flow tee cone "closed" line	1	—	LM		
918	E.A3.73.554							<b>PIPE</b> , assembly, from door sequence valve to thermal relief valve tee at wing main spar "closed" line	1	DTD.5019	C		S.20
921	E.A3.73.586							<b>PIPE</b> , assembly, from tee cone to variable flow valve, undercarriage door jack "closed" line	1	DTD.5019	C		S.20
5534	E.A3.73.818							<b>PIPE</b> , assembly, from sequence valve to 4-way cone at main spar undercarriage door "closed" line	1	DTD.5019	C		S.20
5535	E.A3.73.820							<b>PIPE</b> , assembly, from variable flow tee cone to thermal relief and transfer valve tee cone "closed" line	1	DTD.5019	C		S.20
20997	E.A3.73.856							<b>PIPE</b> , assembly, from variable flow valve to undercarriage jack hose connection "closed" line	1	DTD.5019	C		S.20
28F/9429532	AGS.1186/C							<b>SEAL</b> , bonding, between banjo fitting and banjo bolt, $\frac{1}{8}$ " BSP	2	—	C		
	EEAS.237/17CH							<b>WASHER</b> , "D" (Alt. R60/39—Mod. 5100) ...	4	S.511	—		
	EEAS.239/1CH							<b>WASHER</b> , "D" (Alt. R60/39—Mod. 5100) ...	1	S.511	—		
	E.B7.73.44							<b>PIPES, HYDRAULIC, ON RIB E, WHEEL WELL BAY, ASSEMBLY</b> Spares for:—	—	—	—		
5258	EEAS.143/6H or							<b>CLIP</b> , pipe, single, $\frac{1}{4}$ " o/d ... ..	2	L.72	C		
5K/4345976	AS.4526/4							<b>CLIP</b> , $\frac{1}{2}$ " (Alt. R60/39—Mod. 5100) ... Attaching parts for EEAS.143/6H:—	2	—	C		
28D/1010658	A25/1B							Bolt, 4 BA ... ..	1	—	C		
28M/1278189	AGS.2001/B/1							Nut, 4 BA ... ..	1	—	C		
5259	EEAS.21/2ERH							Washer, special ... ..	1	L.72	C		
5979	E.B7.73.41 or E.B7.73.5211 EEAS.237/17CH E.A3.73.532							<b>PIPE</b> , assembly, from undercarriage door jack sequence valve to union cone at wheel well diaphragm "open" line <b>PIPE</b> , assembly (Alt. R60/80—Mod. 5100) ... <b>WASHER</b> , "D" (Alt. R60/39—Mod. 5100) ...	1	DTD.5019	C		S.19
								<b>PIPES, HYDRAULIC, AT WHEEL WELL BAY DIAPHRAGM, ASSEMBLY</b> Spares for:—	—	—	—		
829	E.A1.73.181							<b>CLIP</b> , thermal relief valve ... .. Attaching parts for E.A1.73.181:—	1	—	C		
28D/9133014	A25/13C							Bolt, 2 BA ... ..	2	—	C		
28M/1278190	AGS.2001/C/1 AS.2307/030							Nut, 2 BA ... .. Tube, distance ... ..	2	—	C		
5260	EEAS.143/5H							<b>CLIP</b> , pipe, single, $\frac{3}{8}$ " o/d., bonding ... ..	3	L.72	LM		S.19
5258	EEAS.143/6H or							<b>CLIP</b> , pipe, single, $\frac{1}{2}$ " o/d., bonding ... .. Alternative pipe clips (Alt. R60/39—Mod. 5100)	6	L.72	C		S.19
5K/6323922	AS.4526/3							<b>CLIP</b> , $\frac{1}{4}$ " ... ..	3	—	C		
5K/4345976	AS.4526/4							<b>CLIP</b> , $\frac{1}{2}$ " ... ..	6	—	C		

**SERVICES**  
**HYDRAULIC EQUIPMENT IN STARBOARD WING**

Ref. No.	Part No.	Description						No. off	Matl Spec.	Cl. of Equip. M.R. L.M.	Plate No.
		1	2	3	4	5	6				
28D/1010658 28M/1278189 5259	A25/1B AGS.2001/B/1 EEAS.21/2ERH	Attaching parts for EEAS.143/5H and EEAS.143/6H:— Bolt, 4 BA ... .. 1 Nut, 4 BA ... .. 1 Washer, special ... .. 1						1 1 1	— — L.72	C C C	
28F/9463543 5K/7000230	AGS.1120/1 AS.3360/B3B or AGS.2097/B3C E.A3.73.562	CONE, tee ... .. 1 LEAD, bonding ... .. 1 LEAD, bonding (Alt. R60/39—Mod. 5100) ... 1 PIPE, assembly, from union cone at wheel well diaphragm to undercarriage door jack thermal relief valve tee cone, "open" line ... 1						1 1 1 1	— — — DTD.5019	C C LM C	S.19
4526	or E.A3.73.1242 E.A3.73.648	PIPE, assembly (Alt. R60/80—Mod. 5100) ... 1 PIPE, assembly, from thermal relief valve tee cone to thermal relief valve, "open" line ... 1						1 1	DTD.5019 DTD.5019	LM C	S.19
4527	E.A3.73.650	PIPE, assembly, from thermal relief valve to undercarriage jack thermal return valve and relief line, 4-way cone ... 1						1	DTD.5019	C	S.20
	EEAS.237/17CH EEAS.239/1CH E.G4.73.78	WASHER, "D" (Alt. R60/39—Mod. 5100) ... 8 WASHER, "D" (Alt. R60/39—Mod. 5100) ... 1 PIPES, HYDRAULIC, FOR AIR BRAKES ON OUTER WING RIB 3, ASSEMBLY						8 1 —	S.511 S.511 —	— — —	
28F/9439533	AGS.1129/B	Spares for:— BANJO, body, cone, flanged ... .. 1						1	—	C	
28F/9423227 28F/9428453	AGS.1135/B AGS.1186/B	Attaching parts for AGS.1129/B:— Bolt, banjo ... .. 1 Seal, bonded ... .. 2						1 2	— —	C C	
5258 5K/4345976	EEAS.143/6H or AS.4526/4	CLIP, pipe, single, 1/4" o/d., bonding ... .. 2 CLIP, 1/4" (Alt. R60/39—Mod. 5100) ... .. 2						2 2	L.72 —	C C	
28D/1010658 28M/1278189 5259	A25/1B AGS.2001/B/1 EEAS.21/2ERH	Attaching parts for EEAS.143/6H:— Bolt, 4 BA ... .. 1 Nut, 4 BA ... .. 1 Washer, special ... .. 1						1 1 1	— — L.72	C C C	
28F/8011809	AGS.1104/B	CONE, adaptor ... .. 1						1	—	C	
28F/9428453	AGS.1186/B	Attaching parts for AGS.1104/B:— Seal, bonded ... .. 1						1	—	C	
28F/1013402	AGS.1111/B	CONE, union, body ... .. 2						2	—	C	
28D/1010658 28M/9403519 28F/9128928 28W/9416642	A25/1B A27/BP AGS.1115/2 SP.47/B	Attaching parts for AGS.1111/B:— Bolt, 4 BA ... .. 3 Nut, 4 BA ... .. 3 Washer, plate ... .. 1 Washer, spring ... .. 3						3 3 1 3	— — — —	C C C C	
5K/7000231	AS.3360/B3C or AGS.2097/B3C E.A9.73.564	LEAD, bonding ... .. 2 LEAD, bonding (Alt. R60/39—Mod. 5100) ... 2 PIPE, coil, assembly, from bracket on rib 3 to airbrake hydraulic operating jack, "out" position ... 1						2 2 1	— — —	C LM C	S.19
12515	or E.G4.73.148 E.A9.73.562	PIPE, assembly (Alt. R60/80—Mod. 5100) ... 1						1	DTD.5019	LM	
12516	or E.G4.73.150 EEAS.239/1CH	PIPE, coil, assembly, from bracket on rib 3 to air brake hydraulic operating jack, "in" position ... 1 PIPE, assembly (Alt. R60/80—Mod. 5100) ... 1 WASHER, "D" (Alt. R60/39—Mod. 5100) ... 2						1 1 2	— DTD.5019 S.511	C LM —	S.19

**SERVICES**  
**HYDRAULIC EQUIPMENT IN INNER WING LEADING EDGE, PORT**

Ref. No.	Part No.	Description	No. off	Matl Spec.	Cl. of Equip.	Plate No.
					M.R. L.M.	
		1 2 3 4 5 6				
	E.B6.73.395	<b>HYDRAULIC EQUIPMENT IN INNER WING LEADING EDGE, PORT, ASSEMBLY</b>	—	—	—	
		Spares for:—				
881	E.A1.73.191	<b>BOLT</b> , special, banjo body fitting at Lockheed hydraulic pump, suction line	1	S.96	C	\$20
882	E.A1.73.193	<b>BOLT</b> , special, banjo body fitting at Lockheed hydraulic pump, delivery line	1	S.96	C	\$20
5348	EEAS.143/8H	<b>CLIP</b> , pipe, single, $\frac{3}{8}$ " o/d., bonding ... ..	1	L.72	C	\$20
	or					
5K/4345977	AS.4526/6	<b>CLIP</b> , $\frac{3}{8}$ " (Alt. R60/39—Mod. 5100) ... ..	1	—	C	
		Attaching parts for EEAS.143/8H:—				
28D/1010658	A25/1B	Bolt, 4 BA ... ..	1	—	C	
28M/1278189	AGS.2001/B/1	Nut, 4 BA ... ..	1	—	C	
	5259	Washer, special ... ..	2	—	C	\$20
	5523	<b>CLIP</b> , pipe, single, $\frac{3}{8}$ " o/d., bonding ... ..	1	L.72	C	\$20
	or					
5K/4345979	AS.4526/10	<b>CLIP</b> , $\frac{3}{8}$ " (Alt. R60/39—Mod. 5100) ... ..	1	—	C	
		Attaching parts for EEAS.143/23H:—				
28D/9436920	A25/1C	Bolt, 2 BA ... ..	1	—	C	
28M/1278190	AGS.2001/C/1	Nut, 2 BA ... ..	1	—	C	
	9763	Washer, special ... ..	2	—	C	\$20
	17529	<b>CLIP</b> , pipe, single, $\frac{3}{8}$ " o/d. ... ..	1	—	C	\$19
28E/1059359	AGS.2081/6	<b>CLIP</b> , pipe, single ... ..	1	—	C	
		Alternative pipe clips (Alt. R60/39—Mod. 5100) ...				
28E/9130685	AS.5419/6	<b>CLIP</b> , $\frac{3}{8}$ " ... ..	1	—	C	
28E/9130754	AS.5419/10	<b>CLIP</b> , $\frac{3}{8}$ " ... ..	1	—	C	
		Attaching parts for EEAS.143/23 and AGS.2081/6:—				
28D/9436920	A25/1C	Bolt, 2 BA ... ..	1	—	C	
28M/1278190	AGS.2001/C/1	Nut, 2 BA ... ..	1	—	C	
28W/9419475	SP.15/C	Washer, 2 BA ... ..	1	—	C	
	12436	<b>CLIP</b> , pipe, special, at diaphragm between ribs 2 and 3	1	—	C	\$20
		Attaching parts for E.A9.73.165:—				
28D/1212590	A25/29E	Bolt, $\frac{3}{4}$ " BSF ... ..	2	—	C	
28M/9480017	AGS.2001/E1/66	Nut, $\frac{3}{4}$ " BSF ... ..	2	—	C	
	22804	Washer, special ... ..	1	—	C	\$20
	22805	Washer, special ... ..	1	—	C	\$20
	30965	<b>COUPLING</b> , pipe ... ..	1	S.91	C	\$19
	22789	<b>FAIRLEAD</b> , rear, at diaphragm between ribs 2 and 3 for flexible suction and delivery pipes	2	BS.2572	C	\$19, \$20
		Attaching parts for E.A9.73.93:—				
28D/1017157	A25/25C	Bolt, 2 BA ... ..	4	—	C	
28M/1278190	AGS.2001/C/1	Nut, 2 BA ... ..	4	—	C	
	AS.2810/5/143	Tube, distance ... ..	4	L6.2	LM	
28W/9419402	SP.13/C	Washer, 2 BA ... ..	4	—	C	
	22802	<b>FAIRLEAD</b> , front, assembly, at diaphragm between ribs 2 and 3 for flexible suction and delivery pipes	1	BS.2572	C	\$19, \$20
		Attaching parts for E.A9.73.163:—				
28D/7002428	A25/6C	Bolt, 2 BA ... ..	4	—	C	
28W/9419402	SP.13/C	Washer, 2 BA ... ..	4	—	C	

**SERVICES**  
**HYDRAULIC EQUIPMENT IN INNER WING LEADING EDGE, PORT**

Ref. No.	Part No.	Description						No. off	Matl Spec.	Cl. of Equip. M.R. L.M.	Plate No.
		1	2	3	4	5	6				
886	E.A1.73.189	<b>FITTING</b> , banjo body, special connection to flexible hose at Lockheed hydraulic pump, delivery line						1	L.65	C	S.20
28F/9429527	AGS.1186/BB	Attaching parts for E.A1.73.189:— Seal, bonded ... ..						2	—	C	
885	E.A1.73.247	<b>FITTING</b> , banjo body, special connection to flexible hose at Lockheed hydraulic pump, suction line (Pre-Mod. 2701)						1	L.65	C	
37585	E.A1.73.403	<b>FITTING</b> , banjo body, special connection to flexible hose at Lockheed hydraulic pump, suction line (Mod. 2701)						1	—	C	S.20
28F/9428454	AGS.1186/CC	Attaching parts for E.A1.73.247 or E.A1.73.403:— Seal, bonded ... ..						2	—	C	
28F/8011896	AGS.1142/C	<b>NIPPLE</b> , adaptor ... ..						1	—	C	
28F/9439897	AGS.1142/E	<b>NIPPLE</b> , adaptor ... ..						3	—	C	
5K/7000230	AS.3360/B3B	<b>LEAD</b> , bonding ... ..						1	—	C	
6150-99-7135	AGS.2097/B3B	<b>LEAD</b> , bonding (Alt. R60/39—Mod. 5100) ... ..						1	—	C	
-745											
5K/7000228	AS.3360/B5C	<b>LEAD</b> , bonding ... ..						1	—	C	
	or										
	AGS.2097/B5C	<b>LEAD</b> , bonding (Alt. R60/39—Mod. 5100) ... ..						1	—	LM	
6888	E.B.73.191	<b>PIPE</b> , assembly, from coupling at rib 2 to union body inboard of rib 1, suction line						1	DTD.5019	C	S.19
30978	E.A4.73.283	<b>PIPE</b> , assembly, from coupling at rib 2 to union body inboard of rib 1, delivery line						1	DTD.743	C	S.19
981	EEAS.20/2DR	<b>TAB</b> , locking, 20 SWG ... ..						4	L.72	C	S.20
28F/4051569	AGS.1103/E	<b>UNION</b> , body ... ..						1	—	C	
	EEAS.237/17CH	<b>WASHER</b> , "D" (Alt. R60/39—Mod. 5100) ... ..						1	S.511	—	
26DK/24376	EEAS.239/2CH	<b>WASHER</b> , "D" (Alt. R60/39—Mod. 5100) ... ..						2	S.511	C	

**SERVICES**  
**HYDRAULIC EQUIPMENT IN INNER WING LEADING EDGE, STARBOARD**

Ref. No.	Part No.	Description	No. off	Mati Spec.	Cl. of Equip. M.R. L.M.	Plate No.
	E.B6.73.397	<b>HYDRAULIC EQUIPMENT IN INNER WING LEADING EDGE, STARBOARD, ASSEMBLY</b>	—	—	—	
		Spares for:—				
28F/9439533	AGS.1129/B	<b>BANJO</b> , body ... ..	1	—	C	
		Attaching parts for AGS.1129/B:—				
28F/9423227	AGS.1135/B	Bolt, banjo ... ..	1	—	C	
28F/9428453	AGS.1186/B	Seal, bonded ... ..	3	—	C	
881	E.A1.73.191	<b>BOLT</b> , special, banjo fitting, at Lockheed hydraulic pump, suction line	1	S.96	C	S.20
		Attaching parts for E.A1.73.191:—				
28F/9428454	AGS.1186/CC	Seal, bonded ... ..	2	—	C	
882	E.A1.73.193	<b>BOLT</b> , special, banjo fitting, at Lockheed hydraulic pump, pressure line	1	S.96	C	S.20
		Attaching parts for E.A1.73.193:—				
28F/9429527	AGS.1186/BB	Seal, bonded ... ..	2	—	C	
2340	E.A3.73.281	<b>CLIP</b> , half, accumulator mounting ... ..	2	—	C	S.20
		Attaching parts for E.A3.73.281:—				
28D/9133011	A25/2C	Bolt, 2 BA ... ..	4	—	C	
28W/9419402	SP.13/C	Washer, 2 BA ... ..	4	—	C	
12436	E.A9.73.165	<b>CLIP</b> , pipe, special, between ribs 2 and 3 ... ..	1	L.72	C	S.20
		Attaching parts for E.A9.73.165:—				
28D/1212590	A25/29E	Bolt, 1/4" BSF ... ..	2	—	C	
28M/9480017	AGS.2001/E1/66	Nut, 3/4" BSF ... ..	2	—	C	
22804	E.A9.73.167	Washer, special ... ..	1	—	C	S.20
22805	E.A9.73.168	Washer, special ... ..	1	—	C	S.20
5348	EEAS.143/8H or	<b>CLIP</b> , pipe, single, 3/8" o/d. ... ..	2	L.72	C	S.20
5K/4345977	AS.4526/6	<b>CLIP</b> , 3/8" (Alt. R60/39—Mod. 5100) ... ..	2	—	C	
		Attaching parts for EEAS.143/8H:—				
28D/1010658	A25/1B	Bolt, 4 BA ... ..	1	—	C	
28M/1278189	AGS.2001/B1	Nut, 4 BA ... ..	1	—	C	
5259	EEAS.21/2ERH	Washer, special ... ..	1	—	C	S.20
5523	EEAS.143/23H or	<b>CLIP</b> , pipe, single ... ..	2	—	C	S.20
5K/4345979	AS.4526/10	<b>CLIP</b> , 3/8" (Alt. R60/39—Mod. 5100) ... ..	1	—	C	
		Attaching parts for EEAS.143/23H:—				
28D/9436920	A25/1C	Bolt, 2 BA ... ..	1	—	C	
28M/1278190	AGS.2001/C/1	Nut, 2 BA ... ..	1	—	C	
9763	E.A3.73.55	Washer, special ... ..	1	—	C	S.20
28E/9713018	AS.3181/6C	<b>CLIP</b> , pipe, single, 1/2" o/d. ... ..	1	—	C	
		Attaching parts for AS.3181/6C:—				
28D/9140644	A25/9C	Bolt, 2 BA ... ..	2	—	C	
28M/1278190	AGS.2001/C/1	Nut, 2 BA ... ..	2	—	C	
28W/9419402	SP.13/C	Washer, 2 BA ... ..	2	—	C	
28F/8011809	AGS.1104/B	<b>CONE</b> , adaptor ... ..	1	—	C	
		Attaching parts for AGS.1104/B:—				
28F/9428453	AGS.1186/B	Seal, bonded ... ..	1	—	C	
28F/9140971	AGS.1104/C	<b>CONE</b> , adaptor ... ..	1	—	C	
		Attaching parts for AGS.1104/C:—				
28F/9429532	AGS.1186/C	Seal, bonded ... ..	1	—	C	

**SERVICES**  
**HYDRAULIC EQUIPMENT IN INNER WING LEADING EDGE, STARBOARD**

Ref. No.	Part No.	Description						No. off	Matl Spec.	Cl. of Equip. M.R. L.M.	Plate No.
		1	2	3	4	5	6				
28F/9476124	AGS.1118/C	CONE, tee ... ..						1	—	C	
28F/9463543	AGS.1120/1	CONE, tee ... ..						1	—	C	
30966	E.A3.73.905	CONE, tee, cut out valve junction pipe ... ..						1	—	C	
36815	E.A3.73.919	CONE, tee ... ..						1	—	C	S.20
28F/9471001	AGS.1102/C	CONE, union body ... ..						2	—	C	
30967	E.A3.73.907	COUPLING, bulkhead, rib 1, delivery line ... ..						1	S.91	C	
		Attaching parts for E.A3.73.907.—									
28D/9133011	A25/2C	Bolt, 2 BA ... ..						6	—	C	
28M/1278190	AGS.2001/C/1	Nut, 2 BA ... ..						6	—	C	
28W/9419402	SP.13/C	Washer, 2 BA ... ..						6	—	C	
28F/9128929	AGS.1115/4	Washer, plate ... ..						1	—	C	
2364	E.A2.73.111	ELBOW, union, special, pressure gauge connection						1	—	C	S.20
891	E.A1.73.199	FAIRLEAD, at rib 1 ... ..						1	BS.2572	C	S.20
		Attaching parts for E.A1.73.199.—									
28D/9133012	A25/3C	Bolt, 2 BA ... ..						6	—	C	
28M/1278190	AGS.2001/C/1	Nut, 2 BA ... ..						6	—	C	
28W/9419402	SP.13/C	Washer, 2 BA ... ..						6	—	C	
6889	E.A1.73.385	FAIRLEAD, at rib 2 ... ..						1	BS.2572	C	S.20
	or										
22788	E.A9.73.91	FAIRLEAD ... ..						1	BS.2572	C	
22789	E.A9.73.93	FAIRLEAD, rear, at diaphragm between ribs 2 and 3						2	BS.2572	C	S.20
		for flexible suction and delivery pipes									
		Attaching parts for E.A9.73.93.—									
28D/1017157	A25/25C	Bolt, 2 BA ... ..						4	—	C	
28M/1278190	AGS.2001/C/1	Nut, 2 BA ... ..						4	—	C	
28W/9419402	AS.2810/5/143	Tube, distance ... ..						4	L.62	LM	
	SP.13/C	Washer, 2 BA ... ..						4	—	C	
22803	E.A9.73.164	FAIRLEAD, front, at diaphragm between ribs 2 and 3						1	BS.2572	C	S.20
		for flexible suction and delivery pipes									
		Attaching parts for E.A9.73.164.—									
28D/7002428	A25/6C	Bolt, 2 BA ... ..						4	—	C	
28W/9419402	SP.13/C	Washer, 2 BA ... ..						4	—	C	
886	E.A1.73.189	FITTING, banjo body, special connection for flexible hose at Lockheed hydraulic pump, pressure line						1	L.65	C	S.20
885	E.A1.73.247	FITTING, banjo body, special connection for flexible hose at Lockheed hydraulic pump, suction line (Pre-Mod. 2701)						1	L.65	C	
37585	E.A1.73.403	FITTING, banjo body, special connection for flexible hose at Lockheed hydraulic pump, suction line (Mod. 2701)						1	—	C	S.20
5K/7000228	AS.3360/B5C	LEAD, bonding ... ..						4	—	C	
	or										
	AGS.2097/B5B	LEAD, bonding (Alt. R60/39—Mod. 5100) ... ..						1	—	LM	
	AGS.2097/B5C	LEAD, bonding (Alt. R60/39—Mod. 5100) ... ..						1	—	LM	
28F/1013599	AGS.1142/A	NIPPLE, adaptor ... ..						1	—	C	
		Attaching parts for AGS.1142/A.—									
28D/1008149	A25/2B	Bolt, 4 BA ... ..						4	—	C	
28M/1278189	AGS.2001/B/1	Nut, 4 BA ... ..						4	—	C	
28W/9419465	SP.13/B	Washer, 4 BA ... ..						4	—	C	
28F/9128928	AGS.1115/2	Washer, plate ... ..						1	—	C	
28F/9439897	AGS.1142/E	NIPPLE, adaptor ... ..						3	—	C	

**SERVICES**  
**HYDRAULIC EQUIPMENT IN INNER WING LEADING EDGE, STARBOARD**

Ref. No.	Part No.	Description	No. off	Matl Spec.	Cl. of Equip.	Plate No.
					M.R. L.M.	
6904	E.B6.73.175	PIPE, assembly, from coupling at rib 1 to charging valve and pressure gauge tee cone	1	DTD.5019	C	S.20
	or					
6903	E.B7.73.5217 E.B6.73.181	PIPE, assembly (Alt. R60/80—Mod. 5100) ... PIPE, assembly, from union cone at rib 1 to fuselage union cone, return line	1 1	DTD.5019 DTD.5019	LM C	S.20
6895	E.B6.73.183	PIPE, assembly, from cut-out valve to union cone at rib 1, return line	1	DTD.5019	C	S.20
6901	E.B6.73.185	PIPE, assembly, from accumulator tee cone to fuselage union cone non-return valve, pressure line	1	DTD.5019	C	S.20
32573	E.B6.73.399	PIPE, assembly, from accumulator to coupling at rib 1	1	DTD.5019	C	S.20
	or					
6896	E.G4.73.151 E.B7.73.61	PIPE, assembly (Alt. R60/80—Mod. 5100) ... PIPE, assembly, from cut-out valve to accumulator and non-return valve tee cone, pressure line	1 1	DTD.5019 DTD.5019	LM C	S.20
6897	E.B7.73.65	PIPE, assembly, from accumulator to tee cone, pressure line	1	DTD.5019	C	S.20
6898	E.B7.73.69	PIPE, assembly, from pressure gauge tee cone to pressure gauge	1	DTD.5019	C	S.20
6899	E.B7.73.71	PIPE, assembly, from pressure gauge tee cone to charging valve	1	DTD.5019	C	S.20
	or					
30987	E.B7.73.5213 E.B7.73.361	PIPE, assembly (Alt. R60/80—Mod. 5100) ... PIPE, assembly, from Avery coupling to non-return valve, delivery line	1 1	DTD.5019 DTD.743	LM C	S.20
30988	E.B7.73.363	PIPE, assembly, from non-return valve at rib 2 to non-return valve tee cone between ribs 1 and 2	1	DTD.743	C	S.20
30989	E.B7.73.365	PIPE, assembly, from non-return valve tee cone to cut-out valve, delivery line	1	DTD.743	C	S.20
30990	E.B7.73.367	PIPE, assembly, from non-return valve tee cone to non-return valve by rib 1	1	DTD.743	C	S.20
30991	E.B7.73.369	PIPE, assembly, from non-return valve by rib 1 to adaptor on rib 1	1	DTD.743	C	S.20
12439	E.A9.73.79	PIPE, assembly, from Avery coupling to coupling at rib 1, suction line	1	L.56	C	S.20
980	EEAS.20/1/DR	TAB, locking	4	—	C	S.20
981	EEAS.20/2/DR	TAB, locking	6	L.72	C	S.20
28F/9476128	AGS.1112/E	UNION BODY, flanged, bulkhead	1	—	C	
		Attaching parts for AGS.1112/E:—				
28D/9133011	A25/2C	Bolt, 2 BA	4	—	C	
28M/1278190	AGS.2001/C1	Nut, 2 BA	4	—	C	
28W/9419402	SP.13/C	Washer, 2 BA	4	—	C	
28F/8872	AGS.1115/7	Washer, plate	1	—	C	
	EEAS.237/17CH	WASHER, "D" (Alt R60/39—Mod. 5100)	1	S.511	—	
	EEAS.239/1CH	WASHER, "D" (Alt R60/39—Mod. 5100)	1	S.511	—	
26DK/24376	EEAS.239/2CH	WASHER, "D" (Alt R60/39—Mod. 5100)	1	S.511	C	

Ref. No.	Part No.							No. off	Matl Spec.	Cl. of Equip. M.R. L.M.	Plate No.
		1	2	3	4	5	6				

**SERVICES  
OXYGEN SYSTEM**

Ref. No.	Part No.	Description	No. off	Matl Spec.	Cl. of Equip.		Plate No.
					M.R.	L.M.	
	E.G4.71.301	<b>OXYGEN SYSTEM, INSTALLATION (MOD. 4799)</b>	—	—	—	—	
	E.G4.71.315	Spares for:— <b>NAVIGATOR, No. 2, OXYGEN SYSTEM (MOD. 4799)</b>	—	—	—	—	
	6D/1648	Spares for:— <b>ADAPTER</b> , inlet, banjo type, oxygen regulator ...	2	—	—	B	
	34094	<b>CLIP</b> , spring (Pre-Mod. 3792) (Mod. 4227) ...	3	—	—	—	
	28F/8294	<b>CLIP</b> , spring (Mod. 3792) ...	1	—	—	C	
	15117	<b>CONE</b> , union body ...	1	—	—	C	
	28D/9419452	<b>FAIRLEAD</b> , half, at frames A and I ...	4	BS.2572	—	C	S.21
	28M/1278189	Attaching parts for E.B7.71.53:— Bolt, 4BA ...	2	—	—	C	
		Nut, 4BA ...	2	—	—	C	
	E.B7.71.55	<b>HOSE</b> , connection, $\frac{3}{8}$ " i/d. x $1\frac{1}{4}$ " o/d. x 3" long (Make from 32C/1275037)	6	—	—	LM	S.21
	E.B6.71.571	<b>OXYGEN, EMERGENCY FITTINGS ON SEAT, GROUP</b>	—	—	—	—	
	6D/2055	Spares for:— <b>CABLE</b> , operating, socket anchor ...	1	—	—	C	
	6D/1698	<b>CLIP</b> , aerolex, type D ...	1	—	—	C	
	6D/1464	<b>HOUSING</b> , socket anchor, outer ...	1	—	—	C	
	6D/2678	<b>OXYGEN-SET</b> , emergency ...	1	—	—	A	
	6D/1652	<b>SOCKET</b> , Mk. 9 ...	1	—	—	C	
	6D/2203310	<b>TUBE</b> , upper, assembly ...	1	—	—	C	
	6D/1579	<b>TUBING</b> , L.P., demand type ...	1	—	—	C	S.21
	6D/575	<b>PIECE</b> , connecting, 2-way ...	2	—	—	C	S.21
	6D/603	<b>PIECE</b> , connecting, 3-way ...	2	—	—	C	S.21
	SCD.79548/4	<b>PIPE</b> , oxygen demand, from aft regulator to hose connection (SRIM.3533) (Mod. 4799) $\frac{3}{8}$ " o/d. x 20 SWG	1	L.56	—	LM	S.21
	33619	<b>PIPE</b> , oxygen demand, between hose connections at frame B, and pressure bulkhead. $\frac{3}{8}$ " o/d. x 22 SWG	1	L.56	—	C	S.21
	33620	<b>PIPE</b> , oxygen demand, between hose connections at pressure bulkhead and flexible hose bracket, $\frac{3}{8}$ " o/d. x 22 SWG	1	L.56	—	C	S.21
	5754	<b>PIPE</b> , oxygen demand, from nose regulator to hose connection aft of frame A, $\frac{7}{8}$ " o/d. x 22 SWG	1	L.54	—	C	S.21
	5755	<b>PIPE</b> , oxygen demand, from hose connection aft of frame A, to flexible pipe connection aft of frame 2, $\frac{7}{8}$ " o/d. x 22 SWG	1	L.56	—	C	S.21
	27360	<b>PIPE</b> , assembly, H.P., from oxygen gauge tee to coupling connection	1	T.51	—	C	S.21
	27359	<b>PIPE</b> , assembly, H.P., from tee forward of frame 2, to forward oxygen gauge	1	T.51	—	C	S.21
	27358	<b>PIPE</b> , assembly, H.P., from rear oxygen gauge to tee connection	1	T.51	—	C	S.21
	SCD.79548/5	<b>PIPE</b> , assembly, L.P., from aft regulator to coupling (SRIM.3533) (Mod.4799) $\frac{3}{8}$ " o/d. x 22 SWG	1	L.56	—	LM	S.21
	SCD.79548/6	<b>PIPE</b> , assembly, L.P., continuation, from coupling to reducing valve tee (SRIM.3533) (Mod. 4799) $\frac{3}{8}$ " o/d. x 22 SWG	1	L.56	—	LM	S.21

**SERVICES  
OXYGEN SYSTEM**

Ref. No.	Part No.	Description						No. off	Matl Spec.	Cl. of Equip. M.R. L.M.	Plate No.
		1	2	3	4	5	6				
33615	E.B6.71.195	PIPE, assembly, H.P., from stop valve on pressure bulkhead starboard, to coupling aft of frame 6						1	T.51	C	S.21
33616	E.B6.71.217	PIPE, assembly, H.P., from tee coupling forward of frame 5 to coupling aft of frame 7, starboard						1	T.51	C	S.21
33617	E.B6.71.219	PIPE, assembly, H.P., from tee coupling forward of frame 5 to coupling forward of frame 4, starboard						1	T.51	C	S.21
5756	E.B7.71.95	PIPE, assembly, L.P., from nose regulator to coupling aft of frame A						1	L.54	C	S.21
5757	E.B7.71.97	PIPE, assembly, L.P., from coupling aft of frame A, starboard, to coupling tee frame 1						1	L.54	C	S.21
5758	E.B7.71.99	PIPE, assembly, H.P., from rear oxygen gauge tee to reducing valve tee forward of frame 2						1	T.51	C	S.21
34351	E.B6.71.583	<b>RELEASE, EMERGENCY OXYGEN, ASSEMBLY</b>						1	—	C	
34485	E.B6.71.591	Spares for:—									
	E.B6.71.581	CABLE, release, assembly ... ..						1	—	C	
	E.B6.71.581	TUBE and bracket, assembly ... ..						1	—	—	
26DK/11172	EEAS.239/1A	WASHER, "D", clips on pressure pipes ... ..						11	—	C	S.21
26DK/9264	EEAS.239/2A	WASHER, "D", clips on oxygen demand pipes ... ..						9	—	C	S.21
	E.G4.71.309	<b>NAVIGATOR'S STATION, OXYGEN SYSTEM (MOD. 4799)</b>						—	—	—	
		Spares for:—									
6D/1647	†	ADAPTER, straight, oxygen regulator ... ..						1	—	B	
28D/9419397	A25/12C	BOLT, 2 BA (Mod. 4105) ... ..						1	—	C	
28E/9435724	AS.3181/14B	CLIP (Mod. 4105) ... ..						1	—	C	
28F/1061849	AGS.1118/BB	CONE, tee ... ..						1	—	C	
28G/4070228	AGS.796/C	EYE-BOLT, regulator mounting ... ..						2	—	C	
	E.B6.71.9	<b>FITTING ON PRESSURE BULKHEAD, ASSEMBLY</b>						—	—	—	
		Spares for:—									
18646	E.B7.71.21	BRACKET, flexible hose connection ... ..						2	—	C	
1835	E.A3.57.21	BRACKET, H.P. valve mounting ... ..						2	—	C	
		Attaching parts for E.A3.57.21:—									
	E.B6.71.507	Block, packing ... ..						1	—	—	S.21
28D/9419452	A25/3B	Bolt, 4 BA ... ..						2	—	C	
28D/1009984	A25/7B	Bolt, 4 BA ... ..						2	—	C	
	EEAS.72/7	Wedge, packing ... ..						4	—	—	S.21
1128	EEAS.69/2	<b>GASKET</b> ... ..						2	Neo-K-Tex	C	S.21
	E.B7.71.55	HOSE, connection, 7/8" i/d. x 1 1/2" o/d. x 3" long (Make from 32C/1275037)						6	BSF.67 TYPE 1	LM	S.21
	E.B6.71.571	<b>OXYGEN, EMERGENCY FITTINGS ON SEAT, GROUP</b>						—	—	—	
		Spares for:—									
6D/2055	†	CABLE, operating, socket anchor ... ..						1	—	C	
6D/1698	†	CLIP, aerolex, type D ... ..						1	—	C	
6D/1464	†	HOUSING, socket anchor, outer ... ..						1	—	C	
6D/2678	†	OXYGEN-SET, emergency ... ..						1	—	A	
6D/1652	†	SOCKET, Mk. 9 ... ..						1	—	C	
6D/2203310	†	TUBE, upper, assembly ... ..						1	—	C	
6D/1579	†	TUBING, L.P., demand type ... ..						1	—	C	S.21
6D/575	†	PIECE, connecting, 2-way ... ..						1	—	C	S.21
6D/603	†	PIECE, connecting, 3-way ... ..						2	—	C	S.21

**SERVICES  
OXYGEN SYSTEM**

Ref. No.	Part No.	Description						No. off	Matl Spec.	Cl. of Equip. M.R. L.M.	Plate No.
		1	2	3	4	5	6				
	SCC.79518/6	PIPE, assembly, H.P., from stop valve to pressure bulkhead, port side (SRIM.3533) (Mod. 4799) 3/8" o/d. x 22 SWG						1	T.51	LM	S.21
	†	PIPE, assembly, H.P., from stop valve to tee piece at frame 5 (SRIM.3533) (Mod. 4799) (Make from part No. E.B6.71.175, Ref. No. 33608)						1	T.51	LM	S.21
33609	E.B6.71.177	PIPE, assembly, H.P., from tee piece at frame 5 to pipe coupling at frame 5						1	T.51	C	S.21
33610	E.B6.71.179	PIPE, assembly, H.P., from coupling at frame 5 to tee piece at coaming tube						1	T.51	C	S.21
33612	E.B6.71.185	PIPE, assembly, H.P., across coaming tube from tee piece to coupling						1	T.51	C	S.21
	SCD.79548/8	PIPE, assembly, L.P., from tee piece to reducing valve (SRIM.3533) (Mod. 4799) 1/2" o/d. x 22 SWG						1	L.56	LM	S.21
	SCD.79548/7	PIPE, assembly, L.P. from tee piece to regulator (SRIM.3533) (Mod. 4799) 1/2" o/d. x 22 SWG						1	L.56	LM	S.21
	SCD.79548/1	PIPE, oxygen demand, from regulator to hose connection (SRIM.3533) (Mod. 4799) 3/8" o/d. x 20 SWG						1	L.56	LM	S.21
	SCD.79548/2	PIPE, oxygen demand, continuation between hose connections (SRIM.3533) (Mod. 4799) 3/8" o/d. x 20 SWG						1	L.56	LM	S.21
	SCD.79548/3	PIPE, oxygen demand, continuation between hose connections (SRIM.3533) (Mod. 4799) 3/8" o/d. x 20 SWG						1	L.56	LM	S.21
39995	E.B6.71.235	PIPE, oxygen demand, continuation between hose connections, 3/8" o/d. x 22 SWG						1	L.56	C	S.21
40467	E.B6.71.237	PIPE, oxygen demand, continuation from hose connection, between frame 6 and pressure bulkhead, flexible hose bracket 3/8" o/d. x 22 SWG						1	L.56	C	S.21
33606	E.B6.71.253	PIPE, assembly, H.P., from stop valve to pressure bulkhead, starboard side						1	T.51	C	S.21
34350	E.B6.71.579	<b>RELEASE, EMERGENCY OXYGEN, ASSEMBLY</b> ...						1	—	C	
		Spares for:—									
34485	E.B6.71.591	CABLE, release, assembly ... ..						1	—	C	
	E.B6.71.577	TUBE and bracket, assembly ... ..						1	—	—	
6D/1464	†	SOCKET, anchor ... ..						2	—	C	S.21
	AS.2811/5/10	TUBE, distance (Mod. 4105) ... ..						2	L.62	LM	
	E.B6.71.207	<b>VALVE, H.P., OXYGEN, INSTALLATION</b> ...						—	—	—	
		Spares for:—									
6D/1892	†	ADAPTER, base plate ... ..						1	—	C	
40501	E.B6.71.239	BRACKET, assembly (Less loose angle) ...						1	—	MR	
6D/1872	†	VALVE, oxygen, Mk. 10 ... ..						1	—	B	
or											
6D/2313	†	VALVE, oxygen, Mk. 10A ... ..						1	—	B	S.21
		Attaching parts for Ref. 6D/1872 or 6D/2313:—									
28D/9133011	A25/2C	Bolt, 2 BA ... ..						4	—	C	

**SERVICES  
OXYGEN SYSTEM**

Ref. No.	Part No	Description						No. off	Matl Spec.	Cl. of Equip. M.R. L.M.	Plate No.
		1	2	3	4	5	6				
	E.B6.71.205	<b>VALVE, REDUCING, INSTALLATION</b> ... ..						—	—	—	
		Spares for:—									
5780	E.B6.71.203	<b>BRACKET</b> , assembly ... ..						1	L.72	—	
	E.B7.71.49	<b>CLAMP</b> , reducing, valve mounting ... ..						1	—	C	
		Attaching parts for E.B7.71.49:—									
28D/1220052	A25/17B	<b>Bolt</b> , 4 BA ... ..						2	—	C	
26DK/11172	EEAS.239/1A	<b>WASHER</b> , "D", pipe clips oxygen pressure ... ..						7	—	C	
26DK/9264	EEAS.239/2A	<b>WASHER</b> , "D", pipe clips oxygen demand ... ..						5	—	C	
	E.G4.71.327	<b>PILOT'S STATION OXYGEN SYSTEM (MOD. 4799)</b>						—	—	—	
		Spares for:—									
6D/1647	†	<b>ADAPTER</b> , straight, oxygen regulator ... ..						1	—	B	
15114	E.B7.71.43	<b>BRACKET</b> , assembly, pipe clip support under pilot's platform						1	—	C	S.21
	E.B6.71.247	<b>BRACKET, MOUNTING, FLEXIBLE HOSE CONNECTOR, INSTALLATION</b>						—	—	—	
		Spares for:—									
	E.B6.71.243	<b>BRACKET</b> ... ..						1	L.72	—	S.21
6D/1465	†	<b>CABLE</b> , operating ... ..						1	—	C	
5780	E.B7.71.49	<b>CLAMP</b> , reducing, valve mounting ... ..						1	—	C	S.21
		Attaching parts for E.B7.71.49:—									
28D/1220052	A25/17B	<b>Bolt</b> , 4 BA ... ..						2	—	C	
28M/1086618	AGS.2002/B/1	<b>Nut</b> , 4 BA ... ..						2	—	C	
28W/9419474	SP.15/B	<b>Washer</b> ... ..						2	—	C	
	15120	<b>CLIP</b> , half, pipe support under pilot's platform ... ..						2	S.514	C	S.21
28F/4051548	AGS.1102/BB	<b>CONE</b> , union, 2-way ... ..						3	—	C	S.21
28F/1061849	AGS.1118/BB	<b>CONE</b> , tee ... ..						1	—	C	
	E.B7.71.171	<b>FAIRLEAD</b> , regulator pipes at pilot's console ... ..						1	BS.2572	—	S.21
		Attaching parts for E.B7.71.171:—									
28D/1008149	A25/2B	<b>Bolt</b> , 4 BA ... ..						4	—	C	
28M/1278189	AGS.2001/B/1	<b>Nut</b> , 4 BA ... ..						4	—	C	
	E.B7.71.55	<b>HOSE</b> , connecting, 3/8" i/d. x 1 1/4" o/d. x 3" long (Make from Ref. 32C/1275037)						5	BSF.67 Type 1	LM	
	E.G5.71.23	<b>OXYGEN FITTINGS ON CA1, MK. 2 EJECTOR SEAT, INSTALLATION (MOD. 4105)</b>						—	—	—	S.21
		Spares for:—									
6D/2055	†	<b>ANCHOR</b> , cable operating socket ... ..						1	—	C	S.21
6D/1698	†	<b>CLIP</b> , Type "D" ... ..						1	—	C	S.21
28E/20104	SP.91/F	<b>CLIP</b> , hose ... ..						1	—	C	S.21
6D/1464	†	<b>HOUSING</b> , socket anchor, outer ... ..						1	—	C	S.21
6D/2678	†	<b>OXYGEN</b> set, emergency, Mk. 7J ... ..						1	—	C	S.21
6D/1652	†	<b>SOCKET</b> , Mk. 9 ... ..						1	—	C	S.21
6D/2185	†	<b>TUBE</b> , assembly, upper, oxygen ... ..						1	—	C	S.21
6D/1579	†	<b>TUBING</b> , L.P., demand type ... ..						1	—	C	S.21
6D/575	†	<b>PIECE</b> , connecting, 2-way ... ..						1	—	C	S.21
6D/603	†	<b>PIECE</b> , connecting, 3-way ... ..						2	—	C	S.21
20812	E.B6.71.123	<b>PIPE</b> , assembly, L.P., from prone position and reducing valve tee starboard side, to connection at pilot's console						1	L.54	C	S.21
20813	E.B6.71.125	<b>PIPE</b> , assembly, H.P., from gauge and reducing valve tee, starboard side to connection at pilot's console						1	T.51	C	S.21

**SERVICES  
OXYGEN SYSTEM**

Ref. No.	Part No.	Description	No. off	Matl Spec.	Cl. of Equip.	Plate No.
					M.R. L.M.	
		1 2 3 4 5 6				
33908	E.B6.71.229	PIPE, oxygen demand, from flexible hose connector bracket, to hose connection frame 3, 3/4" o/d. x 22 SWG	1	L.54	C	S.21
5784	E.B7.71.31	PIPE, assembly, L.P., from regulator to connection at frame 3	1	L.54	C	S.21
5786	E.B7.71.35	PIPE, assembly, H.P., from tee piece at frame 5 to connection at pilot's console	1	T.51	C	S.21
5788	E.B7.71.151	PIPE, assembly, H.P., from supply line tee, to reducing valve	1	T.51	C	S.21
5789	E.B7.71.153	PIPE, assembly, H.P., between port and starboard supply line tees forward of frame 2, starboard side	1	T.56	C	S.21
5790	E.B7.71.155	PIPE, assembly, L.P., from reducing valve to pilot's and prone position supply tee, starboard side	1	L.54	C	S.21
5791	E.B7.71.173	PIPE, assembly, L.P., from connection at pilot's console to connection at frame 3, port side	1	L.54	C	S.21
12048	E.B7.71.179	PIPE, oxygen demand, under pilot's platform, between hose connections at frame 3, 3/4" o/d. x 22 SWG	1	L.54	C	S.21
12634	E.B7.71.269	PIPE, oxygen demand, from hose connection under pilot's platform to hose connection above pilot's platform at frame 3, 3/4" o/d. x 22 SWG	1	L.54	C	S.21
12633	E.B7.71.271	PIPE, oxygen demand, from regulator to hose connection at frame 3, 3/4" o/d. x 22 SWG	1	L.54	C	S.21
	E.G5.71.25	RELEASE, EMERGENCY OXYGEN, PILOT'S, INSTALLATION (MOD. 4105)	—	—	—	—
	E.G5.71.27	Spares for:— RELEASE, EMERGENCY OXYGEN, ASSEMBLY	1	—	—	—
		Spares for:—				
34485	E.B6.71.591	CABLE, release, assembly	1	—	C	—
34484	E.G5.71.29	TUBE and bracket, assembly	1	—	C	—
6D/1464	†	SOCKET, anchor	1	—	C	S.21
26DK/11172	EEAS.239/1A	WASHER, "D", pipe clips oxygen pressure	10	—	C	—
26DK/9264	EEAS.239/2A	WASHER, "D", pipe clips oxygen demand	3	—	C	—
	E.G4.71.307	OXYGEN EQUIPMENT CIRCUIT (MOD. 4799)	—	—	—	—
		Spares for:—				
6D/1892	†	ADAPTER, plate	3	—	C	—
6D/1698	†	CLIP, Aerolex, type D	3	—	C	—
6D/1650	†	CONNECTOR, flanged	3	—	C	—
6D/1797	†	CUP, plate, assembly	3	—	C	—
6D/9429896	†	CYLINDER, gas, oxygen, Mk. 5D, 750 litres	10	—	A	—
6D/574	†	FILTER, Mk. 1	1	—	A	—
6D/2237	†	GAUGE, contents, Mk. 4	2	—	A	—
6D/1580	†	HOSE, L.P., 3/4" i/d. x 6' long	1	—	A	—
6D/1579	†	HOSE, L.P., 3/4" i/d. x 4' long	3	—	C	—
6D/1644	†	OXYGEN SET, emergency, Mk. 2A	1	—	A	—
6D/575	†	PIECE, connecting, 2-way	1	—	C	—
6D/2294	†	REGULATOR, oxygen, Mk. 17	4	—	A	—
6D/1642	†	SOCKET, quick release, Mk. 7	2	—	C	—
6D/1652	†	SOCKET, quick release, Mk. 9, with cut-off valve	1	—	C	—
6D/1817	†	SOCKET, quick release, Mk. 10A, with cut-off valve	1	—	C	—
6D/1497	†	UNION, blanking, Mk. 3	5	—	C	—
6D/2204340	†	VALVE, check	4	—	C	—
6D/2313	†	VALVE, oxygen, Mk. 10A	3	—	B	—
6D/1616	†	VALVE, reducing, Mk. 1	2	—	A	—

**SERVICES  
OXYGEN SYSTEM**

Ref. No.	Part No	Description						No. off	Matl Spec.	Cl. of Equip. M.R. L.M.	Plate No.
		1	2	3	4	5	6				
	E.G.471.101	<b>OXYGEN SYSTEM, FROM PRESSURE BULKHEAD TO FRAME 12 (MOD. 3833) (MOD. 4799)</b>						—	—	—	S.22
		Spares for:—									
28F/9517962	AGS.1112/B	<b>BODY</b> , union ... ..						2	—	C	S.22
		Attaching parts for AGS.1112/B:—									
28D/1008149	A25/2B	Bolt, 4 BA ... ..						6	—	C	S.22
28M/1278189	AGS.2001/B/1	Nut, 4 BA ... ..						6	—	C	S.22
		<b>CLIP</b> , pipe ... ..						8	—	C	
		Attaching parts for AS.4525/3:—									
28D/9436920	A25/1C	Bolt, 2 BA ... ..						1	—	C	
28W/9419475	SP.15/C	Washer ... ..						1	—	C	
		<b>GASKET</b> ... ..						2	—	C	S.22
1128	EEAS.69/2	<b>PIECE</b> , connecting, Mk. 3A, 2-way ... ..						1	—	C	S.22
6D/575	†	<b>PIPE</b> , assembly, from pressure bulkhead to frame 12, port						1	—	C	S.22
34584	E.G.471.103	<b>PIPE</b> , assembly, from pressure bulkhead to union, starboard						1	—	C	S.22
34586	E.G.471.107	<b>PIPE</b> , assembly, from union to frame 12, starboard						1	—	C	S.22
34585	E.G.471.105	<b>PLATE</b> , locking ... ..						4	—	C	S.22
981	EEAS.20/2DR	<b>PLATE</b> , washer ... ..						2	—	C	S.22
28F/9128928	AGS.1115/2	<b>OXYGEN SYSTEM, IN CENTRE FUSELAGE (MOD. 3833) (MOD. 4799)</b>						—	—	—	S.22
		Spares for:—									
5K/1037287	AS.4525/3	<b>CLIP</b> , pipe ... ..						47	—	C	S.22
		Attaching parts for AS.4525/3:—									
28D/9133011	A25/2C	Bolt, 2 BA ... ..						QR	—	C	S.22
28D/9133012	A25/3C	Bolt, 2 BA ... ..						QR	—	C	S.22
28D/1200119	A25/4C	Bolt, 2 BA ... ..						QR	—	C	S.22
28D/7002428	A25/6C	Bolt, 2 BA ... ..						QR	—	C	S.22
28M/1278190	AGS.2001/C/1	Nut, 2 BA ... ..						11	—	C	S.22
28W/9419475	SP.15/C	Washer ... ..						QR	—	C	S.22
28W/9419404	SP.16/C	Washer ... ..						QR	—	C	S.22
		<b>CLIP</b> , pipe ... ..						3	—	C	S.22
		Attaching parts for AS.3181/3B:—									
28D/1010658	A25/1B	Bolt, 4 BA ... ..						1	—	C	S.22
28W/9419474	SP.15/B	Washer ... ..						1	—	C	S.22
		<b>GASKET</b> ... ..						4	—	C	S.22
1128	EEAS.69/2	<b>PIECE</b> , connecting, Mk. 3A, 2-way ... ..						11	—	C	S.22
6D/575	†	<b>PIECE</b> , connecting, Mk. 3A, 3-way ... ..						1	—	C	S.22
6D/603	†	<b>PIPE</b> , assembly, oxygen charging, from charging valve to connection at frame 12						1	—	C	S.22
34603	E.G.471.149	<b>PIPE</b> , assembly, oxygen charging, from frame 12 to frame 14						1	—	C	S.22
34602	E.G.471.147	<b>PIPE</b> , assembly, oxygen charging from frame 14 to between frames 15 and 16						1	—	C	S.22
34601	E.G.471.145	<b>PIPE</b> , assembly, oxygen charging from between frames 15 and 16 to frame 19						1	—	C	S.22
34600	E.G.471.143	<b>PIPE</b> , assembly, oxygen charging, from frame 19 to frame 22						1	—	C	S.22
34599	E.G.471.141	<b>PIPE</b> , assembly, oxygen charging, transverse frame 22 to fuselage skin, port						1	—	C	S.22
34598	E.G.471.115										

**SERVICES  
OXYGEN SYSTEM**

Ref. No.	Part No.	Description						No. off	Matl Spec.	Cl. of Equip. M.R. L.M.	Plate No.
		1	2	3	4	5	6				
34597	E.C3.71.63							1	—	C	S.22
34596	E.G4.71.113							1	—	C	S.22
34595	E.C3.71.59							1	—	C	S.22
34594	E.C3.71.57							1	—	C	S.22
34593	E.C3.71.55							1	—	C	S.22
34592	E.C3.71.53							1	—	C	S.22
34591	E.C3.71.51							1	—	C	S.22
34590	E.C3.71.49							1	—	C	S.22
34589	E.C3.71.47							1	—	C	S.22
34588	E.C3.71.45							1	—	C	S.22
34587	E.G4.71.125							1	—	C	S.22
28F/9128928	AGS.1115/2							4	—	C	S.22
28E/9485956	TERRY 169/3"							2	—	C	S.22
	AS.2810/5/04							3	L.62	LM	S.23
	E.G4.71.171							—	—	—	S.23
<b>OXYGEN SYSTEM IN PORT MAINPLANE (MOD. 3833) (MOD. 4799)</b>											
Spares for:—											
30046	E.B8.20.3063							10	—	C	S.23
30011	E.B8.71.241							3	—	C	S.23
Attaching parts for E.B8.71.241:—											
28D/1010658	A25/1B							3	—	C	S.23
28M/1278189	AGS.2001/B/1							3	—	C	S.23
28W/9419465	SP.13/B							3	—	C	S.23
30033	E.B8.20.3065							10	—	C	S.23
Attaching parts for E.B8.20.3065:—											
28D/1011247	A25/13E							2	—	C	S.23
28M/1201610	AGS.2001/E/1							2	—	C	S.23
28W/9418921	AS.2811/6/100							2	L.62	LM	S.23
	SP.13/E							2	—	C	S.23
5K/1037287	AS.4525/3							6	—	C	S.23
Attaching parts for AS.4525/3:—											
28D/9436920	A25/1C							1	—	C	S.23
28M/1278190	AGS.2001/C/1							1	—	C	S.23
28W/9419402	SP.13/C							1	—	C	S.23
	E.C3.71.35							6	—	C	S.23
6D/575	†							2	—	C	S.23
34620	E.G4.71.117							1	T.51	C	S.23
34615	E.C3.71.31							1	T.51	C	S.23

**SERVICES  
OXYGEN SYSTEM**

Ref. No.	Part No	Description						No. off	Matl Spec.	Cl. of Equip. M.R. L.M.	Plate No.
		1	2	3	4	5	6				
34604	E.C3.71.21	PIPE, assembly, oxygen, from central bottle to rear bottle, between rib 3 and 4						2	—	C	S.23
34607	E.C3.71.25	PIPE, assembly, oxygen charging, from rear bottle, between ribs 3 and 4 to bottle between ribs 4 and 5						1	T.51	C	S.23
34609	E.C3.71.27	PIPE, assembly, oxygen charging, from bottle at ribs 4-5 to bottle at ribs 5-6						1	T.51	C	S.23
34611	E.C3.71.29	PIPE, assembly, oxygen supply, from bottle at ribs 4-5 to bottle at ribs 5-6						1	T.51	C	S.23
34605	E.C3.71.23	PIPE, assembly, oxygen supply, from bottle at ribs 4-5 to rear bottle, between ribs 3 and 4						1	T.51	C	S.23
34618	E.C3.71.19	PIPE, assembly, oxygen, from central bottle to forward bottle, between ribs 3 and 4						2	T.51	C	S.23
34617	E.C3.71.33	PIPE, assembly, oxygen supply, from forward bottle rib 3-4 to rib 2						1	T.51	C	S.23
34621	E.G4.71.119	PIPE, assembly, oxygen supply, from rib 2 to fuselage coupling						1	T.51	C	S.23
30044	E.B8.20.3011	STRAP, ASSEMBLY ... .. Spares for:—						10	—	C	S.23
	E.B8.20.3061	BLOCK, clamp ... ..						1	—	—	S.23
	E.B8.20.3055	PAD ... ..						2	—	—	S.23
	E.B8.20.5169	STRAP ... ..						1	—	—	S.23
30045	E.B8.20.3053	STRAP, ASSEMBLY ... .. Spares for:—						10	—	C	S.23
	E.B8.20.3137	NUT, clamp ... ..						1	—	—	S.23
	E.B8.20.3055	PAD ... ..						2	—	—	S.23
	E.B8.20.5169	STRAP ... ..						1	—	—	S.23
6D/1497	†	UNION, blanking, Mk. 3						2	—	C	S.23
	E.G4.71.172	<b>OXYGEN SYSTEM IN STARBOARD MAINPLANE (MOD. 3833) (MOD. 4799)</b> Spares for:—						—	—	—	S.23
30046	E.B8.20.3063	BOLT, tie ... ..						10	—	C	S.23
	E.B8.71.241	BRACKET ... .. Attaching parts for E.B8.71.241:—						3	—	C	S.23
28D/1010658	A25/1B	Bolt, 4 BA ... ..						3	—	C	S.23
28M/1278189	AGS.2001/B/1	Nut, 4 BA ... ..						3	—	C	S.23
28W/9419465	SP.13/B	Washer ... ..						3	—	C	S.23
30033	E.B8.20.3065	CHANNEL, assembly ... .. Attaching parts for E.B8.20.3065:—						10	—	C	S.23
28D/1011247	A25/13E	Bolt, 1" BSF ... ..						2	—	C	S.23
28M/9480017	AGS.2001/E1/66	Nut, 1" BSF ... ..						2	—	C	S.23
	AS.2811/6/100	Tube, distance ... ..						2	L.62	LM	S.23
28W/9418921	SP.13/E	Washer ... ..						2	—	C	S.23
5K/1037287	AS.4525/3	CLIP, pipe ... .. Attaching parts for AS.4525/3:—						6	—	C	S.23
28D/9436920	A25/1C	Bolt, 2 BA ... ..						1	—	C	S.23
28M/1278190	AGS.2001/C/1	Nut, 2 BA ... ..						1	—	C	S.23
28W/9419402	SP.13/C	Washer ... ..						1	—	C	S.23

**SERVICES  
OXYGEN SYSTEM**

Ref. No.	Part No.	Description						No. off	Matl Spec.	Cl. of Equip. M.R. L.M.	Plate No.
		1	2	3	4	5	6				
	E.C3.71.35							6	—	—	S.23
6D/575	†							2	—	C	S.23
34613	E.C3.71.16							1	T.51	C	S.23
34616	E.C3.71.32							1	T.51	C	S.23
34618	E.C3.71.19							2	T.51	C	S.23
34604	E.C3.71.21							2	T.51	C	S.23
34608	E.C3.71.26							1	T.51	C	S.23
34610	E.C3.71.28							1	T.51	C	S.23
34612	E.C3.71.30							1	T.51	C	S.23
34606	E.C3.71.24							1	T.51	C	S.23
34619	E.C3.71.34							1	T.51	C	S.23
34614	E.C3.71.18							1	T.51	C	S.23
30044	E.B8.20.3011							10	—	C	S.23
	E.B8.20.3061							1	—	—	S.23
	E.B8.20.3055							2	—	—	S.23
	E.B8.20.5169							1	—	—	S.23
30045	E.B8.20.3053							10	—	C	S.23
	E.B8.20.3137							1	—	—	S.23
	E.B8.20.3055							2	—	—	S.23
	E.B8.20.5169							1	—	—	S.23
6D/1497	†							2	—	C	S.23

**SERVICES**  
**STATIC PIPE RUN IN CABIN PRESSURE SYSTEM**

Ref. No.	Part No.	Description	No. off	Matl Spec.	Cl. of Equip.		Plate No.
					M.R.	L.M.	
		1 2 3 4 5 6					
	E.G4.75.421	<b>CABIN PRESSURE, STATIC LINE, ASSEMBLY (MOD. 4799)</b>	—	—	—		
		Spares for:—					
5K/4345963	AS.4525/5	<b>CLIP</b> , pipe ... ..	16	—	C		
		Attaching parts for AS.4525/5:—					
28D/9133011	A25/2C	Bolt, 2 BA ... ..	1	—	C		
28M/1278190	AGS.2001/C/1	Nut, 2 BA ... ..	1	—	C		
28S/1214097	4104/8/1/4"	Screw (Cad. plated) ... ..	1	—	C		
28W/9419402	SP.13/C	Washer ... ..	1	—	C		
28F/1037653	AGS.838/13	<b>NUT</b> , union and bush ... ..	20	—	C		
3400	E.A3.80.1649	<b>PIPE</b> , drain trap ... ..	2	L.54	C		
	E.B6.80.171	<b>PIPE</b> , from tee aft of frame A to coupling aft of frame 2, 3/8" o/d. x 22 SWG	1	L.54	LM		S.4
	E.B6.80.173	<b>PIPE</b> , from coupling aft of frame 2, to coupling aft of frame 4, 3/8" o/d. x 22 SWG	1	L.54	LM		S.4
	E.B6.80.3617	<b>PIPE</b> , from coupling aft of frame 4, to coupling aft of frame 6, 3/8" o/d. x 20 SWG	1	L.54	LM		S.4
	E.B6.80.3619	<b>PIPE</b> , from coupling aft of frame 6, to tee coupling at pressure bulkhead, 3/8" o/d. x 20 SWG	1	L.54	LM		S.4
	E.G4.80.417	<b>PIPE</b> , from coupling at frame A, to port connection at side of fuselage, 3/8" o/d. x 20 SWG	1	L.54	LM		S.4
	E.G4.80.409	<b>PIPE</b> , continuation, on frame A, from tee piece, starboard side to coupling, 3/8" o/d. x 20 SWG	1	L.54	LM		S.4
	E.B6.80.5479	<b>PIPE</b> , from drain trap tee, to tee aft of frame A, 3/8" o/d. x 20 SWG	1	L.54	LM		S.4
	E.B6.80.5481	<b>PIPE</b> , from nose tee piece at frame A, to starboard connection at side of fuselage, 3/8" o/d. x 20 SWG (Pre-Mod. 5197)	1	L.54	LM		S.4
	E.G4.80.1503	<b>PIPE</b> , from nose tee piece at frame A, to starboard connection at side of fuselage, 3/8" o/d. x 22 SWG (Mod. 5197)	1	L.54	LM		
28F/1046309	AGS.838/1	<b>UNION</b> , elbow ... ..	2	—	C		
28F/1046307	AGS.838/1	<b>UNION</b> , straight ... ..	4	—	C		
28F/1046308	AGS.838/2	<b>UNION</b> , tee ... ..	3	—	C		
	EEAS.237/3A	<b>WASHER</b> , "D", pipe clips on pressure bulkhead ...	10	—	—		



**SERVICES**  
**PITOT AND STATIC PIPES IN FRONT FUSELAGE**

Ref. No.	Part No.	Description						No. off	Matl Spec.	Cl. of Equip. M.R. L.M.	Plate No.
		1	2	3	4	5	6				
	E.G4.80.1317	<b>PITOT AND STATIC SYSTEM IN NOSE FUSELAGE (MOD. 4799)</b>						—	—	—	
		Spares for:—									
6D/114	†	<b>ADAPTER</b> , forward of pressure bulkhead union ...						2	—	C	
26DK/11156	E.F2.70.27	<b>ADAPTER</b> , 4-way (Mod. 4864) (Pre-Mod. 5198) ...						2	—	C	
26DK/11156	E.F2.70.27	<b>ADAPTER</b> , 4-way (Post-Mod. 5198) ...						1	—	C	
28F/1367578	AS.8680	<b>BANJO</b> , body, pitot (Mod. 4864) ...						1	—	C	
		Attaching parts for AS.8680:—									
28F/1367580	AS.9682	Bolt, banjo ...						1	—	C	
28F/4051944	AGS.3098	Gasket, O-ring ...						2	—	C	
28F/1367579	AS.8681	<b>BANJO</b> , body, static (Mod. 4864) ...						3	—	C	
		Attaching parts for AS.8681:—									
28F/1367581	AS.8683	Bolt, banjo ...						1	—	C	
28F/19987	AGS.3099	Gasket, O-ring ...						2	—	C	
	EEAS.552/6	<b>BOBBIN</b> ...						1	—	—	
26DK/23436	EEAS.552/7	<b>BOBBIN</b> ...						1	—	C	
28F/1046309	AGS.838/3	<b>BODY</b> , union elbow, L.P. ...						8	—	C	
28F/1046307	AGS.838/1	<b>BODY</b> , union straight, L.P. ...						15	—	C	
28F/1046308	AGS.838/2	<b>BODY</b> , union tee, L.P. ...						21	—	C	
	EEAS.29/1ER	<b>BRACKET</b> (Mod. 4864) ...						2	—	—	
5340-99-4163724	EEAS.136A	<b>BRACKET</b> , pipe clip ...						6	—	C	
16582	E.A3.80.1665	<b>CLAMP</b> , pipe, half, at frames 6, 7 and 8 ...						6	—	C	
		Attaching parts for E.A3.80.1665:—									
28D/1010029	A25/6B	Bolt, 4 BA ...						1	—	C	
28D/1009984	A25/7B	Bolt, 4 BA ...						1	—	C	
28M/1278189	AGS.2001/B/1	Nut, 4 BA ...						2	—	C	
28W/9419465	SP.13/B	Washer ...						1	—	C	
28W/9419474	SP.15/B	Washer ...						1	—	C	
1823	EEAS.91/2	<b>CLIP</b> , pipe (Pre-Mod. 5198) ...						6	L.72	C	
1823	EEAS.91/2	<b>CLIP</b> , pipe (Post-Mod. 5198) ...						4	—	C	
32A/9429657	†	<b>CORD</b> , nylon ...						QR	—	C	
33599	E.B6.80.5457	<b>FAIRLEAD</b> , assembly, navigator's lower tray ...						1	—	C	
		Attaching parts for E.B6.80.5457:—									
28D/1011013	A25/13B	Bolt, 4 BA ...						2	—	C	
28M/1278189	AGS.2001/B/1	Nut, 4 BA ...						2	—	C	
28W/9419465	SP.13/B	Washer ...						2	—	C	
	SCC.79869/5	<b>FAIRLEAD</b> at navigator's station (SRIM.3833) (Mod. 4799)						1	—	—	
		Attaching parts for SCC.79869/5:—									
28D/9133013	A25/5C	Bolt, 2 BA ...						1	—	C	
28M/1278190	AGS.2001/C/1	Nut, 2 BA ...						1	—	C	
28W/9419475	SP.15/C	Washer ...						1	—	C	
	SCD.79165/5	<b>FAIRLEAD</b> , half, at zero reader (SRIM.3833) (Mod. 4799)						1	—	—	
	SCD.79165/6	<b>FAIRLEAD</b> , half, at zero reader (SRIM.3833) (Mod. 4799)						1	—	—	
		Attaching parts for SCD.79165/5 and SCD.79165/6:—									
28D/1214876	AS.1246/14B	Bolt, 4 BA ...						2	—	C	
6A/4333460	†	<b>HEAD</b> , pressure, Mk. 8W ...						1	—	B	
or											
6A/2176	†	<b>HEAD</b> , pressure, Mk. 8M ...						1	—	B	
		Attaching parts for Ref. 6A/2176 or 6A/4333460:—									
285/1213926	A38/A8	Screw, 4 BA ...						8	—	C	

**SERVICES**  
**PITOT AND STATIC PIPES IN FRONT FUSELAGE**

Ref. No.	Part No.	Description	No. off	Matl Spec.	Cl. of Equip.	Plate No.
					M.R. L.M.	
		1 2 3 4 5 6				
	E.B6.80.5897	<b>HOSE</b> , flexible, pitot, behind pitot's flying panel 0.3 i/d. x 1/8" o/d., Maricon type H	1	DTD.251	LM	
	E.G4.80.1199	<b>HOSE</b> , flexible, static, behind pilot's flying panel (Mod. 4864) 3/8" i/d. x 1/4" o/d., Maricon type H	1	DTD.251	LM	
	E.G4.80.1107	<b>HOSE</b> , flexible, static, pilot's altimeter (Mod. 4864) 3/8" i/d. x 1/4" o/d., Maricon type H	1	DTD.251	LM	
	E.B6.80.5899	<b>HOSE</b> , flexible, static, navigator's air speed indicator. 0.3 i/d. x 1/8" o/d., Maricon type H	1	DTD.251	LM	
	E.B6.80.5901	<b>HOSE</b> , flexible, pitot, navigator's air speed indicator 0.3 i/d. x 1/8" o/d., Maricon type H	1	DTD.251	LM	
	E.G4.80.1099	<b>HOSE</b> , flexible, static, navigator's altimeter (Mod. 4864) 3/8" i/d. x 1/4" o/d., Maricon type H	1	DTD.251	LM	
37300	DUNLOP AHO 32434/30/8	<b>HOSE</b> , flexible, for zero reader computer ... ..	1	—	C	
6A/6203323	KOLLSMAN L84340-00-080	<b>MODULE</b> , correction (Mod. 4864) ... ..	1	—	A	
4412	E.A3.80.2375	<b>MOUNTING</b> , pressure head ... ..	1	DTD.5044	C	
		Attaching parts for E.A3.80.2375:—				
13218	E.A3.80.2901	Nut ... ..	1	DTD.5044	C	
4415	E.A3.80.2379	Sleeve, rubber ... ..	1	Shore 70	C	
4416	E.A3.80.2381	Washer, inner seal, retaining ... ..	2	L.72	C	
4418	E.A3.80.2391	Washer, outer, sealing ... ..	1	L.72	C	
4417	E.A3.80.2303	Washer, rubber, inner sealing ... ..	1	Shore 70	C	
	E.G9.80.1175	<b>MOUNTING, P.E.C.U., INSTALLATION (MOD. 4864)</b> Spares for:—	—	—	—	
	E.G4.80.1117	<b>ANGLE</b> , 18 SWG ... ..	1	L.72	LM	
	E.G9.80.1177	<b>BRACKET</b> , assembly, 18 SWG ... ..	1	L.72	LM	
28F/1037452	AS.8599	<b>NUT</b> , union, assembly (Mod. 4864) ... ..	2	—	C	
28F/1037653	AGS.838/13	<b>NUT</b> , union and bush assembly, L.P. ... ..	116	—	C	
3400	E.A3.80.1649	<b>PIPE</b> , drain reservoir ... ..	7	L.54	C	
16687	E.A3.80.2751	<b>PIPE</b> , pitot continuation between frames 1 and 5 ...	1	—	C	
16718	E.B6.80.125	<b>PIPE</b> , pitot from connection forward of frame 1 to tee piece, between frames 1 and 2	1	—	C	
26430	E.B6.80.681	<b>PIPE</b> , pitot forward of frame A to drain trap reservoir, 1/8" o/d. x 22 SWG	1	L.54	C	
	E.B6.80.3621	<b>PIPE</b> , pitot, from tee piece aft of frame 5 to pressure bulkhead, 1/8" o/d. x 20 SWG	1	L.54	LM	
	E.B6.80.4601	<b>PIPE</b> , pitot, head connection, 1/8" o/d. x 20 SWG ...	1	L.54	LM	
	E.B6.80.4603	<b>PIPE</b> , pitot, between connections frames A and B, 1/8" o/d. x 20 SWG	1	L.54	LM	
	E.B6.80.4649	<b>PIPE</b> , pitot, between connections forward of frame A, port side, 1/8" o/d. x 20 SWG	1	L.54	LM	
	E.B6.80.5407	<b>PIPE</b> , pitot, from connection aft of frame 4, to tee piece aft of frame 5	1	—	LM	
	E.B6.80.4621	<b>PIPE</b> , pitot and static, end of hose, flexible, behind pilot's panel, 1/8" o/d. x 22 SWG	3	L.54	LM	
	E.B6.80.4647	<b>PIPE</b> , pitot, from drain trap and tee piece aft of frame B to coupling forward of frame A, 1/8" o/d. x 20 SWG	1	L.54	LM	

**SERVICES**  
**PITOT AND STATIC PIPES IN FRONT FUSELAGE**

Ref. No.	Part No.	Description						No. off	Matl Spec.	Cl. of Equip. M.R. L.M.	Plate No.
		1	2	3	4	5	6				
	E.B6.80.4633	PIPE						1	L.54	LM	
	†	PIPE						1	L.56	LM	
	†	PIPE						1	L.56	LM	
	SCC.79869/1	PIPE						1	L.56	LM	
	E.G4.80.517	PIPE						1	L.54	LM	
	E.G4.80.519	PIPE						1	L.54	LM	
	E.G4.80.1155	PIPE						1	L.54	LM	
	E.G4.80.1201	PIPE						1	L.54	LM	
7125	E.A3.80.1603	PIPE						1	L.54	C	
16686	E.A3.80.2747	PIPE						1	L.54	C	
16717	E.B6.80.123	PIPE						1	L.54	C	
	E.B6.80.3629	PIPE						1	L.54	LM	
	E.B6.80.4635	PIPE						1	L.54	LM	
	E.B6.80.4641	PIPE						1	L.54	LM	
	E.B6.80.4643	PIPE						1	L.54	LM	
	E.B6.80.4645	PIPE						1	L.54	LM	
	E.B6.80.5409	PIPE						1	L.54	LM	
	E.B6.80.5467	PIPE						1	L.54	LM	
	E.B6.80.5471	PIPE						1	L.54	LM	
	E.G4.80.413	PIPE						1	L.54	LM	
	E.G4.80.1501	PIPE						1	L.54	LM	

**SERVICES**  
**PITOT AND STATIC PIPES IN FRONT FUSELAGE**

Ref. No.	Part No.	Description						No. off	Matl Spec.	Cl. of Equip. M.R. L.M.	Plate No.																												
		1	2	3	4	5	6																																
E.G4.80.411		PIPE	static,	from	coupling	forward	of	frame	A	to	tee	piece	aft	of	frame	A	(Mod.	3833)	$\frac{5}{8}$ "	o/d.	x	20	SWG	1	L.54	LM													
SCD.79165/10		PIPE	static,	from	zero	reader	drain	trap	to	flexible	hose	(SRIM.	3833)	(Mod.	4799)	$\frac{5}{8}$ "	o/d.	x	22	SWG	1	L.56	LM																
	†	PIPE	static,	from	tee	piece	to	pilot's	machmeter	(Com.	Mod.	0517)	(Mod.	4799)	$\frac{5}{8}$ "	o/d.	x	22	SWG	1	L.56	LM																	
	†	PIPE	static,	from	tee	piece	to	pilot's	air	speed	indicator	(Com.	Mod.	0517)	(Mod.	4799)	$\frac{5}{8}$ "	o/d.	x	22	SWG	1	L.56	LM															
	†	PIPE	static,	from	tee	piece	to	pilot's	rate	of	climb	(Com.	Mod.	0517)	(Mod.	4799)	$\frac{5}{8}$ "	o/d.	x	22	SWG	1	L.56	LM															
E.G4.80.1057		PIPE	stepped,	static,	from	tee	piece	to	flexible	hose,	pilot's	altimeter	and	from	P.E.C.U.	4-way	coupling	to	banjo	elbow	(Mod.	4864)	$\frac{5}{8}$ "	o/d.	x	22	SWG,	$\frac{3}{4}$ "	o/d.	x	$\frac{1}{2}$ "	long	x	22	SWG	2	L.54	LM	
SCC.79869/1		PIPE	static,	from	tee	piece	to	navigator's	air	speed	indicator	rubber	hose	(SRIM.3833)	(Mod.	4799)	$\frac{5}{8}$ "	o/d.	x	20	SWG	1	L.56	LM															
E.G4.80.1087		PIPE	stepped,	static,	from	coupling	forward	of	frame	5	to	navigator's	altimeter	rubber	hose	(Mod.	4864)	$\frac{5}{8}$ "	o/d.	x	22	SWG,	$\frac{3}{4}$ "	o/d.	x	$\frac{1}{2}$ "	long	x	22	SWG	1	L.54	LM						
E.G4.80.1085		PIPE	static,	from	tee	piece	forward	of	frame	6	to	coupling	forward	of	frame	5	(Mod.	4864)	$\frac{5}{8}$ "	o/d.	x	22	SWG	1	L.54	LM													
E.G4.80.1157		PIPE	static,	from	tee	piece	forward	of	frame	6	to	coupling	forward	of	frame	8	(Mod.	4864)	$\frac{5}{8}$ "	o/d.	x	22	SWG	1	L.54	LM													
E.G4.80.1159		PIPE	static,	from	coupling	forward	of	frame	8	to	pressure	bulkhead	(Mod.	4864)	$\frac{5}{8}$ "	o/d.	x	22	SWG	1	L.54	LM																	
E.G4.80.1153		PIPE	static,	from	pressure	bulkhead	to	P.E.C.U.	4-way	adapter	(Mod.	4864)	$\frac{5}{8}$ "	o/d.	x	22	SWG	1	L.54	LM																			
E.G4.80.1149		PIPE	static,	from	P.E.C.U.	4-way	adapter	to	coupling	forward	of	frame	11	(Mod.	4864)	$\frac{5}{8}$ "	o/d.	x	22	SWG	1	L.54	LM																
E.G4.80.1051		PIPE	static,	from	coupling	forward	of	frame	11	to	central	tee-piece	forward	of	frame	12	(Mod.	4864)	$\frac{5}{8}$ "	o/d.	x	22	SWG	1	L.54	LM													
E.G4.80.1083		PIPE	static,	from	central	tee	piece	forward	of	frame	12	to	coupling	aft	of	frame	11,	starboard	side	(Mod.	4864)	$\frac{5}{8}$ "	o/d.	x	22	SWG	1	L.54	LM										

**SERVICES**  
**PITOT AND STATIC PIPES IN FRONT FUSELAGE**

Ref. No.	Part No.	Description						No. off	Matl Spec.	Cl. of Equip. M.R. L.M.	Plate No.
		1	2	3	4	5	6				
	E.G4.80.1071	PIPE, static, from coupling aft of frame 11 to coupling forward of frame 11, starboard side (Mod. 4864) $\frac{3}{8}$ " o/d. x 22 SWG						1	L.54	LM	
	E.G4.80.1075	PIPE, static, connecting starboard static vent between frames 10 and 11 (Mod. 4864) $\frac{3}{8}$ " o/d. x 22 SWG						1	L.54	LM	
	E.G4.80.1059	PIPE, static, from central tee piece forward of frame 12 to coupling aft of frame 11, port side (Mod. 4864) $\frac{3}{8}$ " o/d. x 22 SWG						1	L.54	LM	
	E.G4.80.1095	PIPE, static, from coupling aft of frame 11 to elbow union forward of frame 11, port side (Mod. 4864) $\frac{3}{8}$ " o/d. x 22 SWG						1	L.54	LM	
	E.G4.80.1073	PIPE, static, connecting port static vent between frames 10 and 11 (Mod. 4864) $\frac{3}{8}$ " o/d. x 22 SWG						1	L.54	LM	
26DK/7759	E.B2.70.1037	SPACER (Mod. 4864) ... ..						7	—	C	
26DK/5039	EEAS.20/CR	TAB, locking ... ..						1	—	C	
28F/1046323	AGS.838/6	TRAP, drain (Pre-Mod. 5198) ... ..						7	—	C	
28F/1046323	AGS.838/6	TRAP, drain (Post-Mod. 5198) ... ..						8	—	C	
4956	E.A3.80.1671	TUBE, adapter, between drain trap reservoir and pressure bulkhead connection aft, $\frac{3}{8}$ " o/d. x 20 SWG (Pre-Mod. 5198)						2	L.54	C	
4956	E.A3.80.1671	TUBE, adapter (Post-Mod. 5198) ... ..						1	L.54	C	
28F/7106548	AS.6712	UNION, elbow (Mod. 4864) ... ..						1	—	C	
2087	E.A1.80.711	UNION, pressure bulkhead ... ..						3	DTD.683	C	
		Attaching parts for E.A1.80.711:—									
28D/1008149	A25/2B	Bolt, 4 BA ... ..						6	—	C	
28M/1278189	AGS.2001/B/1	Nut, 4 BA ... ..						6	—	C	
2086	E.A1.80.713	Ring, sealing ... ..						2	Neo-K-Tex	C	
28W/9419465	SP.13/B	Washer ... ..						6	—	C	
28F/4051641	AGS.1115/3	Washer, plate ... ..						1	—	C	
	KOLLSMAN										
6A/6203321	L83271-00-000	UNIT, pressure error correction (Mod. 4864) ...						1	—	A	
13058	E.B7.80.769	VENT, STATIC, FORWARD OF FRAME A PORT, ASSEMBLY						1	—	C	
		Consisting of:—									
26523	E.B7.80.777	PACKING ... ..						1	Neo-K-Tex	C	
26521	E.B7.80.773	PLATE, clamping, 18 SWG ... ..						1	DTD.124A	C	
26522	E.B7.80.775	SEAL ... ..						1	Neo-K-Tex	C	
21998	E.B7.80.771	VENT, static, assembly ... ..						1	—	C	
13059	E.B7.80.779	VENT, STAT'C, FORWARD OF FRAME A STARBOARD, ASSEMBLY (PRE-MOD. 5197)						1	—	C	
		Consisting of:—									
26526	E.B7.80.787	PACKING ... ..						1	Neo-K-Tex	C	
26524	E.B7.80.783	PLATE, clamping, 18 SWG ... ..						1	DTD.124A	C	
26525	E.B7.80.785	SEAL ... ..						1	Neo-K-Tex	C	
21999	E.B7.80.781	VENT, static, assembly ... ..						1	—	C	
6119405	E.B7.80.770	VENT, STATIC, FORWARD OF FRAME A STARBOARD, ASSEMBLY (MOD. 5197)						1	—	C	
		Consisting of:—									
26523	E.B7.80.777	PACKING ... ..						1	Neo-K-Tex	C	
	E.B7.80.774	PLATE, clamping, 18 SWG ... ..						1	DTD.124A	—	
26522	E.B7.80.775	SEAL ... ..						1	Neo-K-Tex	C	
	E.B7.80.772	VENT, static, assembly ... ..						1	—	—	
		Attaching parts for static vent:—									
27113	E.A9.80.1273	Bolt, 4 BA ... ..						4	DTD.319	C	
28M/4342710	AGS.2001/B/4	Nut, 4 BA ... ..						4	—	C	
28W/9475793	AGS.1582/C	Washer ... ..						4	—	C	

**SERVICES  
PITOT AND STATIC PIPES IN FRONT FUSELAGE**

Ref. No.	Part No.	Description	No. off	Matl Spec.	Cl. of Equip.			
					M.R.	L.M.	Plate No.	
	E.G4.80.1061	<b>VENT, STATIC BETWEEN FRAMES 10 AND 11, PORT, INSTALLATION (MOD. 4864)</b>	—	—	—			
	E.G4.80.1063	Spares for:— <b>PLATE</b> , static vent, assembly ... ..	1	—	—	MR		
	E.B8.10.7870	Attaching parts for E.G4.80.1063:— Bolt, special ... ..	8	—	—	C		
38770	AGS.2001/C/1	Nut, 2 BA ... ..	8	—	—	C		
28M/1278190	SP.15/C	Washer ... ..	8	—	—	C		
28W/9419475	SP.16/C	Washer ... ..	8	—	—	C		
28W/9419404								
	E.G4.80.1062	<b>VENT, STATIC BETWEEN FRAMES 10 AND 11, STARBOARD, INSTALLATION (MOD. 4864)</b>	—	—	—			
	E.G4.80.1064	Spares for:— <b>PLATE</b> , static vent, assembly ... ..	1	—	—	MR		
	E.B8.10.7870	Attaching parts for E.G4.80.1064:— Bolt, special ... ..	8	—	—	C		
38770	AGS.2001/C/1	Nut, 2 BA ... ..	8	—	—	C		
28M/1278190	SP.15/C	Washer ... ..	8	—	—	C		
28W/9419475	SP.16/C	Washer ... ..	8	—	—	C		
28W/9419404								
	EEAS.21/2DO	<b>WASHER "D"</b> ... ..	1	L.59	—	C		
13141	EEAS.239/1A	<b>WASHER "D"</b> ... ..	31	—	—	C		
26DK/11172								

**SERVICES**  
**PITOT AND STATIC PIPES, CENTRE FUSELAGE**

Ref. No.	Part No.	Description						No. off	Matl Spec.	Cl. of Equip. M.R. L.M.	Plate No.
		1	2	3	4	5	6				
	E.B6.80.169	<b>PITOT AND STATIC PIPES IN CENTRE FUSELAGE, ASSEMBLY</b>						—	—	—	
		Spares for:—									
1823	EEAS.91/2	<b>CLIP</b> , pipe, double, 3/8" o/d. (Pre-Mod. 5198) ...						2	L.72	C	
		Attaching parts for EEAS.91/2:—									
28D/1010658	A25/1B	Bolt, 4 BA ... ..						1	—	C	
28M/1278189	AGS.2001/B/1	Nut, 4 BA ... ..						1	—	C	
5259	EEAS.21/2ERH	Washer, "D" ... ..						2	—	C	
6443	E.A1.80.891	<b>FAIRLEAD</b> , frames 14, 16, 17 ... ..						3	BS.2572	C/MR	
7796	E.A3.80.1655	<b>FAIRLEAD</b> , frame 15 ... ..						1	BS.2572	C/MR	
		Attaching parts for E.A1.80.891 and E.A3.80.1655:—									
28D/9419452	A25/3B	Bolt, 4 BA (frames 14, 15, and 17) ... ..						2	—	C	
28D/1011006	A25/5B	Bolt, 4 BA (frame 16) ... ..						2	—	C	
28M/1278189	AGS.2001/B/1	Nut, 4 BA ... ..						2	—	C	
7795	E.A3.80.1651	Piece, packing (frame 16) ... ..						1	—	C	
28W/9419474	SP.15/B	Washer ... ..						2	—	C	
28F/1037653	AGS.838/13	<b>NUT</b> , union and bush (Pre-Mod. 5198) ... ..						11	—	C	
3400	E.A3.80.1649	<b>PIPE</b> , drain, reservoir (Pre-Mod. 5198) ... ..						2	L.54	C	
28F/1046323	AGS.838/6	<b>TRAP</b> , drain (Pre-Mod. 5198) ... ..						1	—	C	
7794	E.A3.80.1643	<b>TUBE</b> , pitot, from coupling, frames 17-18 to fuselage, wing coupling (A.M.U.) (Pre-Mod. 5198)						1	L.54	C	
15334	E.B6.80.149	<b>TUBE</b> , pitot, from drain trap to coupling, frames 17-18 (Pre-Mod. 5198)						1	L.54	C	
15335	E.B6.80.151	<b>TUBE</b> , pitot, from front fuselage coupling to drain trap (Pre-Mod. 5198)						1	L.54	C	
15332	E.B6.80.145	<b>TUBE</b> , static, from front fuselage coupling to drain trap (Pre-Mod. 5198)						1	L.54	C	
15333	E.B6.80.147	<b>TUBE</b> , static, from drain trap to wing, fuselage coupling (A.M.U.) (Pre-Mod. 5198)						1	L.54	C	
28F/1046307	AGS.838/1	<b>UNION</b> , body, straight (Pre-Mod. 5198) ... ..						1	—	C	
28F/1046308	AGS.838/2	<b>UNION</b> , body, tee (Pre-Mod. 5198) ... ..						3	—	C	
28F/11697	AGS.838/7	<b>WASHER</b> , rubber (Pre-Mod. 5198) ... ..						1	—	C	

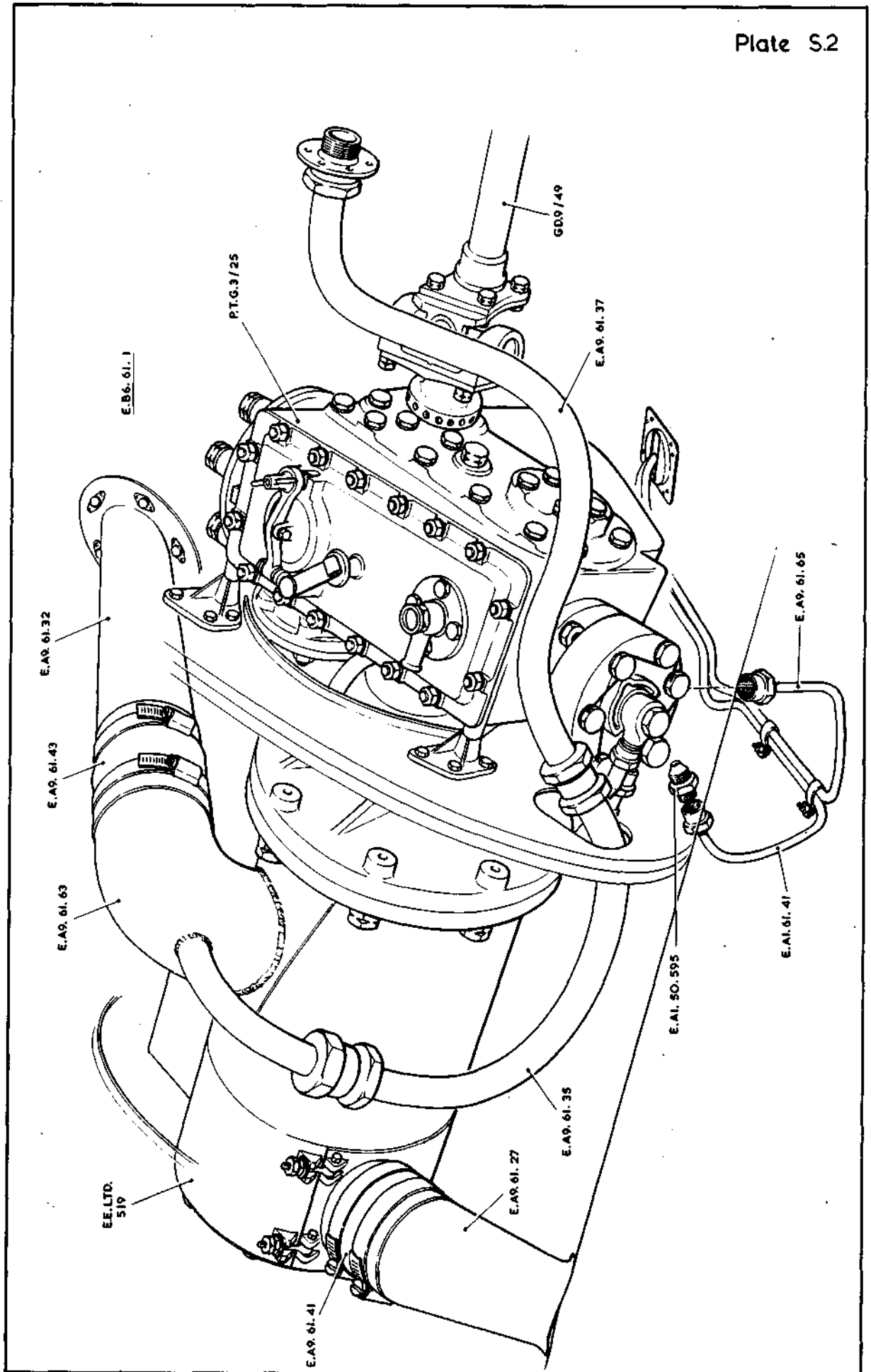
Ref. No.	Part No.	1 2 3 4 5 6	Description	No. off	Matl Spec.	Cl. of Equip. M.R. L.M.	Plate No.

**PITOT AND STATIC PIPES, PORT MAINPLANE**

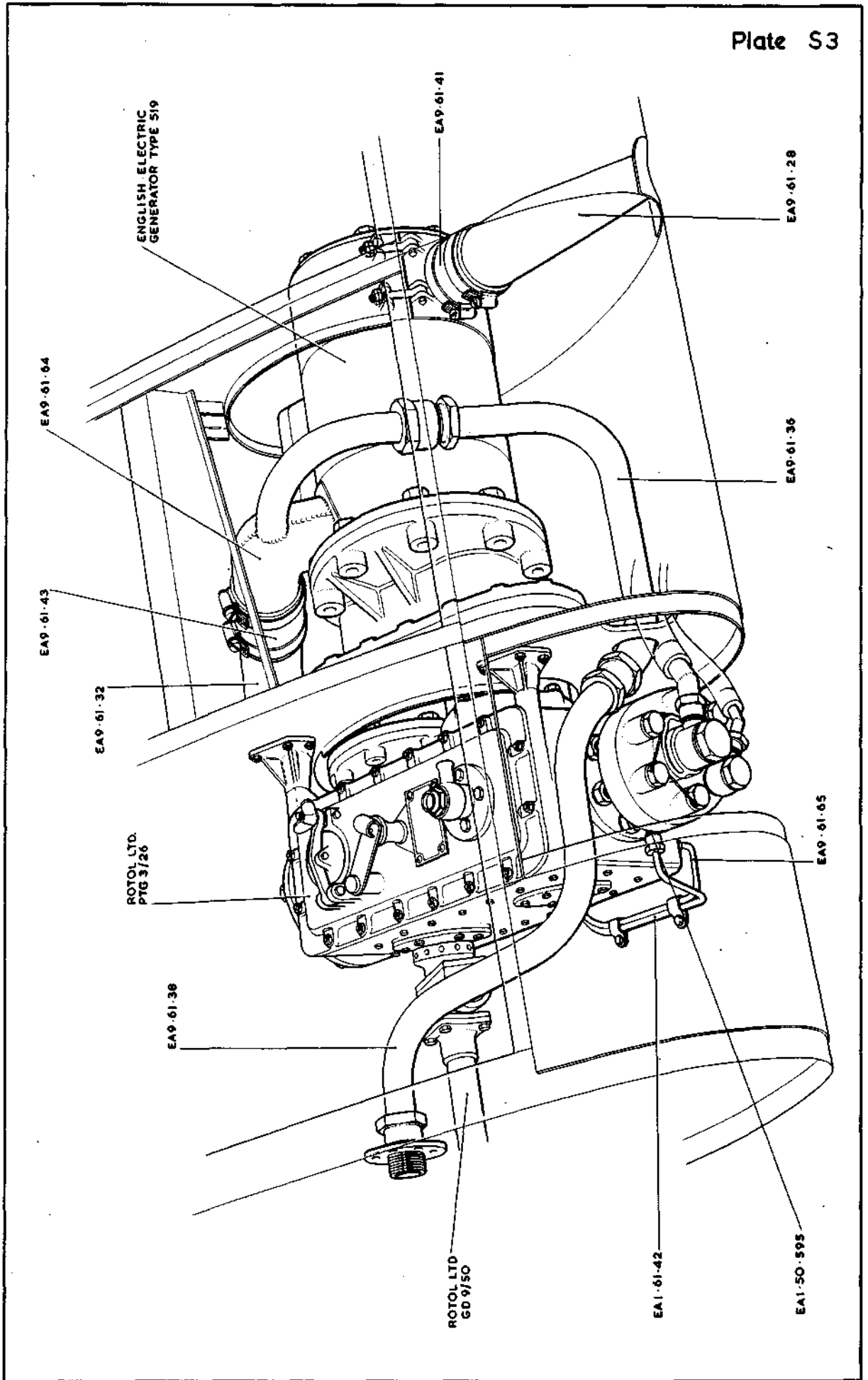
Ref. No.	Part No.	Description						No. off	Matl Spec.	Cl. of Equip. M.R. L.M.	Plate No.
		1	2	3	4	5	6				
	E.G4.80.1341	<b>PITOT AND STATIC PIPES, IN PORT MAINPLANE, ASSEMBLY (PRE-MOD. 5198)</b>						—	—	—	
	E.A3.80.1799	<b>MOUNTING OF V.G. RECORDER, AND VALVES, ASSEMBLY</b>						—	—	—	
		Spares for:—									
2623	E A3.80.1891	<b>ADAPTER</b> , valve body ... ..						2	—	C	
28F/9439531	AGS.952/B	<b>COLLAR</b> ... ..						4	—	C	
28F/8011885	AGS.1142/B	<b>NIPPLE</b> , adapter ... ..						4	—	C	
28F/1037653	AGS.838/13	<b>NUT</b> , union, and bush assembly ... ..						2	—	C	
4860	E A3.80.1827	<b>PLATE</b> , stop, valve ... ..						2	—	C	
		Attaching parts for E.A3.80.1827:—									
28D/1010658	A25/1B	<b>Bolt</b> , 4 BA ... ..						3	—	C	
28M/1086618	AGS.2002/B/1	<b>Nut</b> , 4 BA ... ..						3	—	C	
4859	E.A3.80.1899	<b>TUBE</b> , adapter ... ..						2	—	C	
9676	E A3.80.1805	<b>TUBE</b> , pitot, from drain trap to valve, $\frac{1}{8}$ " o/d. x 22 SWG						1	L.54	C	
9677	E.A3.80.1807	<b>TUBE</b> , static, from drain trap to valve, $\frac{1}{8}$ " o/d. x 22 SWG						1	L.54	C	
4858	E.A3.80.1813	<b>TUBE</b> , rubber ... ..						1	—	C	
4857	E.A3.80.1815	<b>TUBE</b> , rubber ... ..						1	—	C	
	VICKERS										
27F/4526649	D 517	<b>VALVE</b> , 3-way ... ..						2	—	B	
28F/1037653	AGS.838/13	<b>NUT</b> , union, and bush assembly ... ..						14	—	C	
7216	E.A3.80.659E	<b>PIPE</b> , drain, reservoir, $\frac{1}{8}$ " o/d. x 4" x 22 SWG ...						2	L.54	C	
7126	E.A3.80.1817	<b>TUBE</b> , pitot, from tee union to A.M.U. $\frac{1}{8}$ " o/d. x 22 SWG						1	L.54	C	
7129	E.A3.80.1823	<b>TUBE</b> , pitot, from drain trap to tee union, $\frac{1}{8}$ " o/d. x 22 SWG						1	L.54	C	
7127	E.A3.80.1819	<b>TUBE</b> , static, from tee union to A.M.U., $\frac{1}{8}$ " o/d. x 22 SWG						1	L.54	C	
7128	E.A3.80.1821	<b>TUBE</b> , static, from drain trap to tee union, $\frac{1}{8}$ " o/d. x 22 SWG						1	L.54	C	
28F/1046308	AGS.838/2	<b>UNION</b> , body, tee ... ..						2	—	C	

Ref. No.	Part No.							No. off	Matl Spec.	Cl. of Equip. M.R. L.M.	Plate No.
		1	2	3	4	5	6				





BOX. GEAR. PORT MAIN PLANE

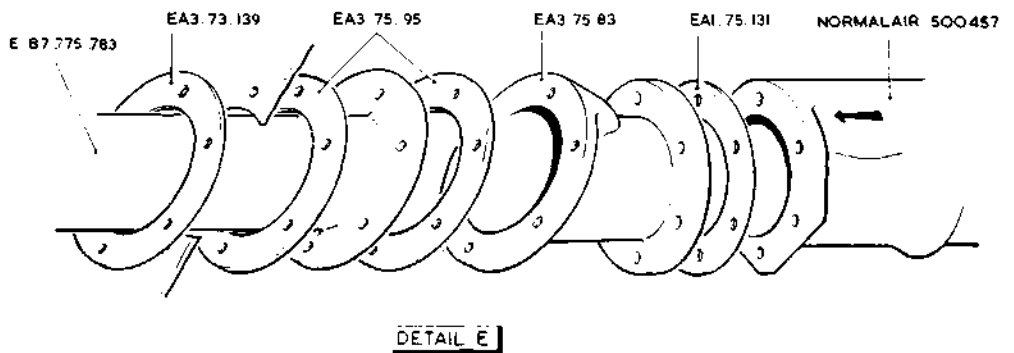
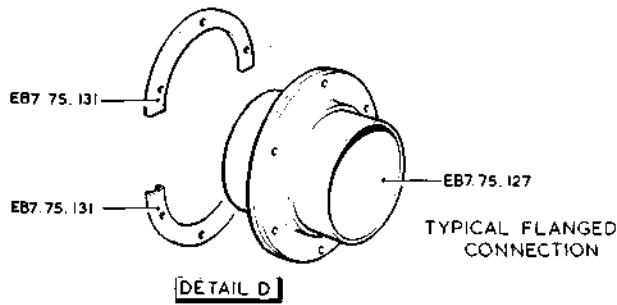
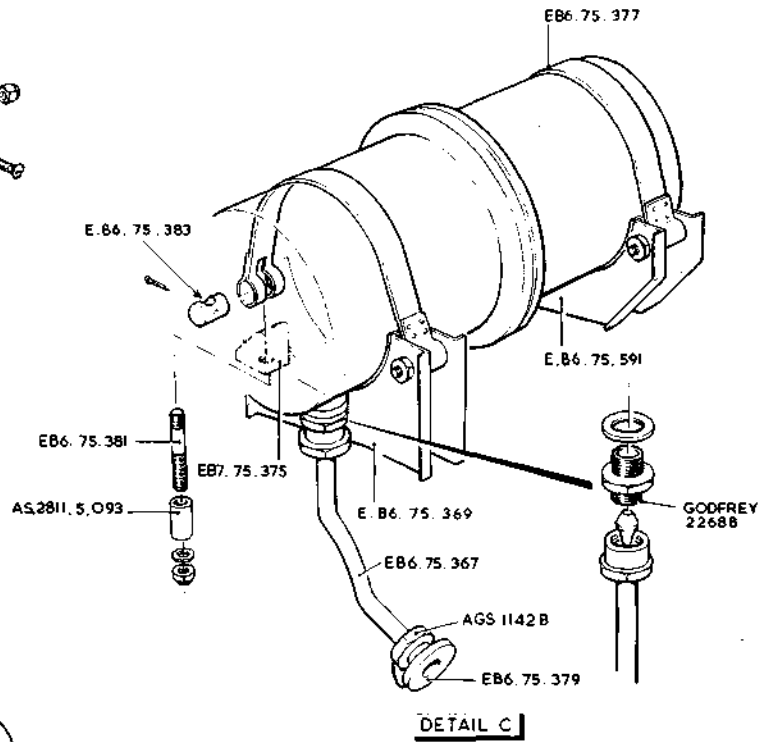
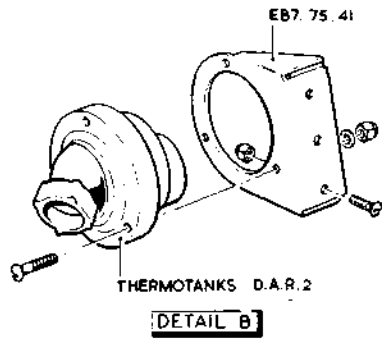
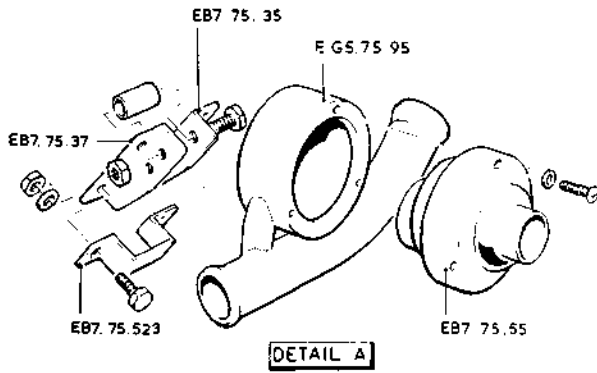


BOX, GEAR, STARBOARD MAIN PLANE

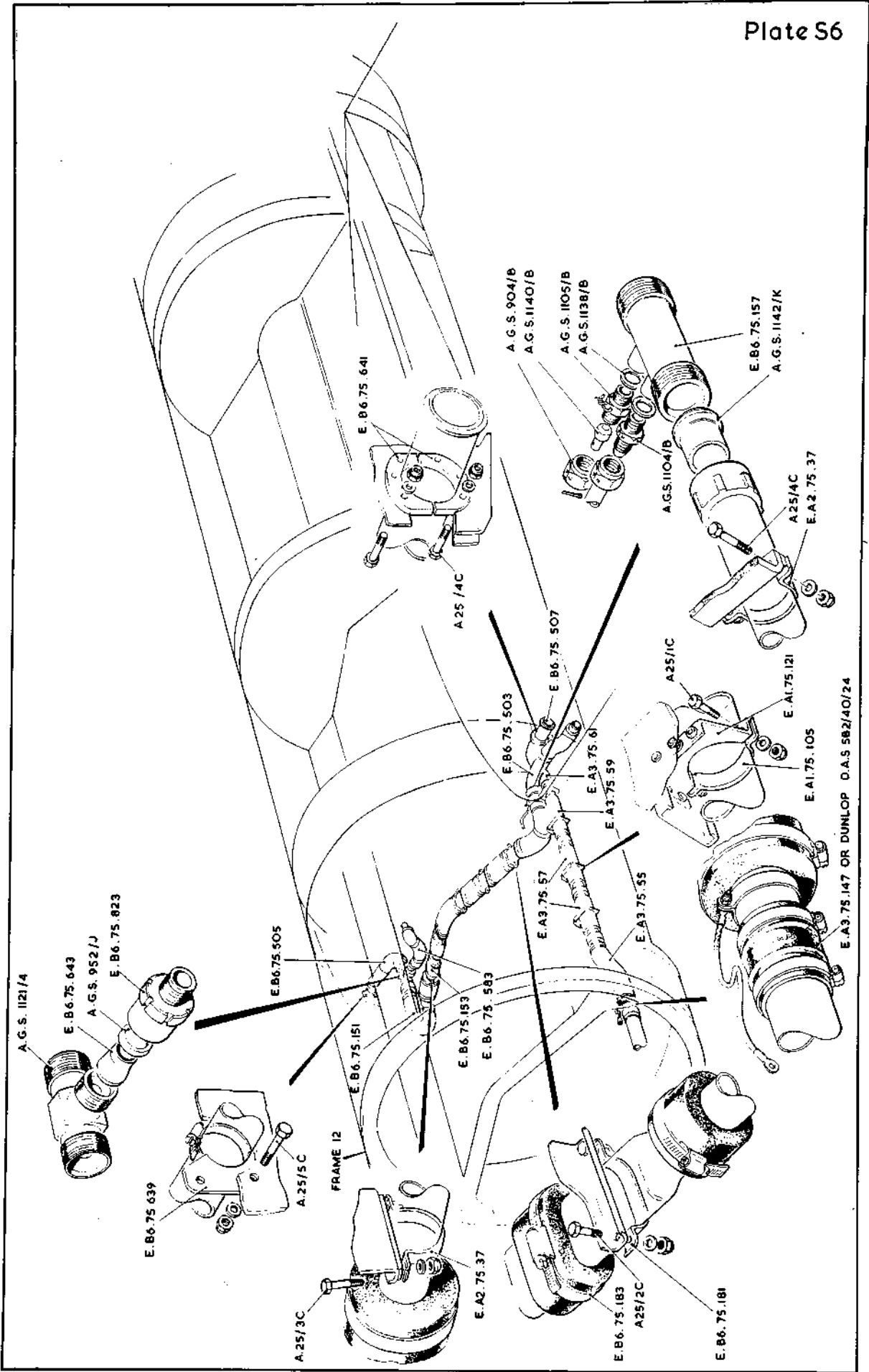


Plate S5

FOR LOCATION  
SEE PLATE S4



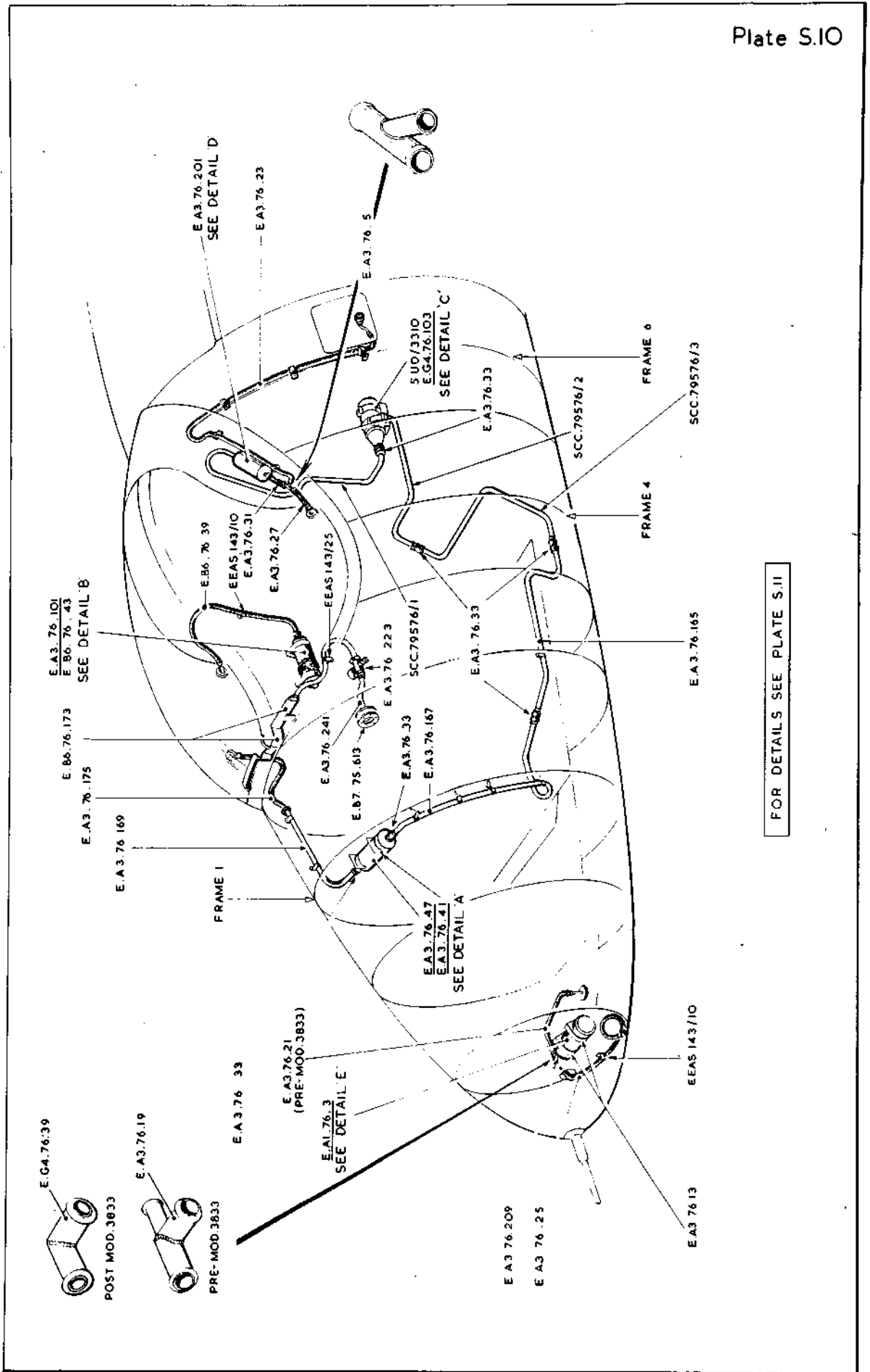
CABIN PRESSURE SYSTEM.DETAILS.FRONT FUSELAGE



CABIN PRESSURE SYSTEM, CENTRE FUSELAGE



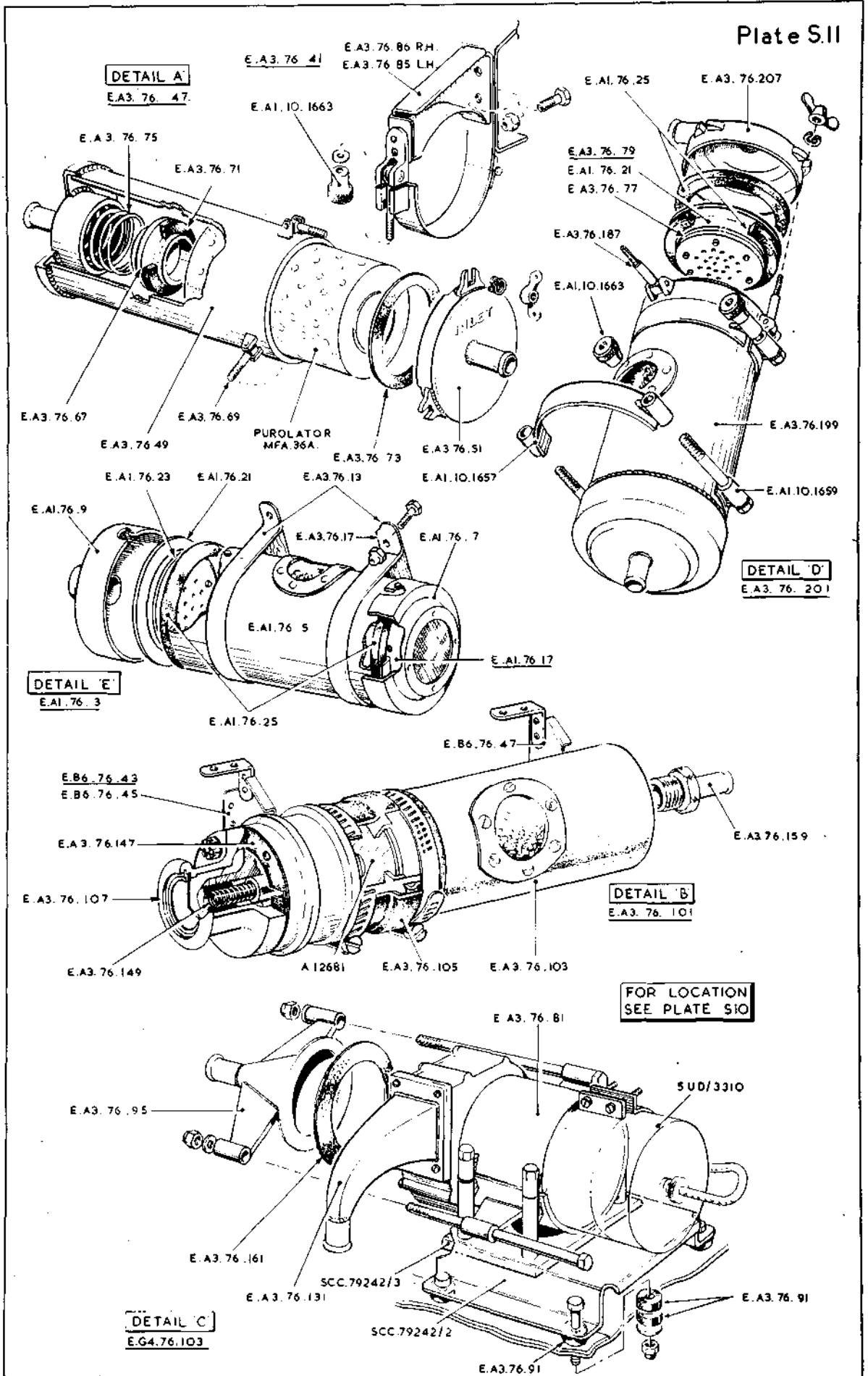




DEMISTER SYSTEM

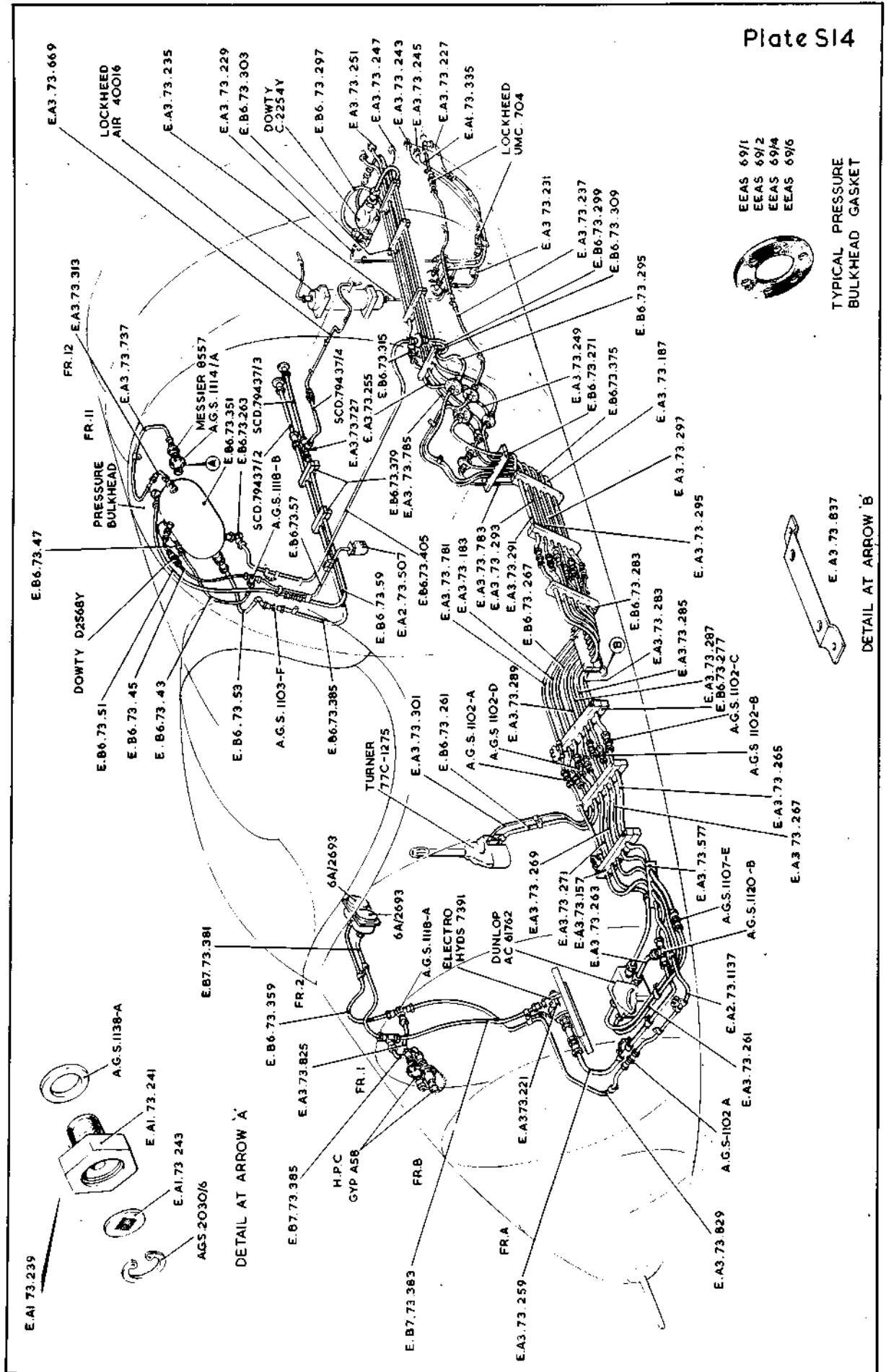
RESTRICTED

Plate S.II



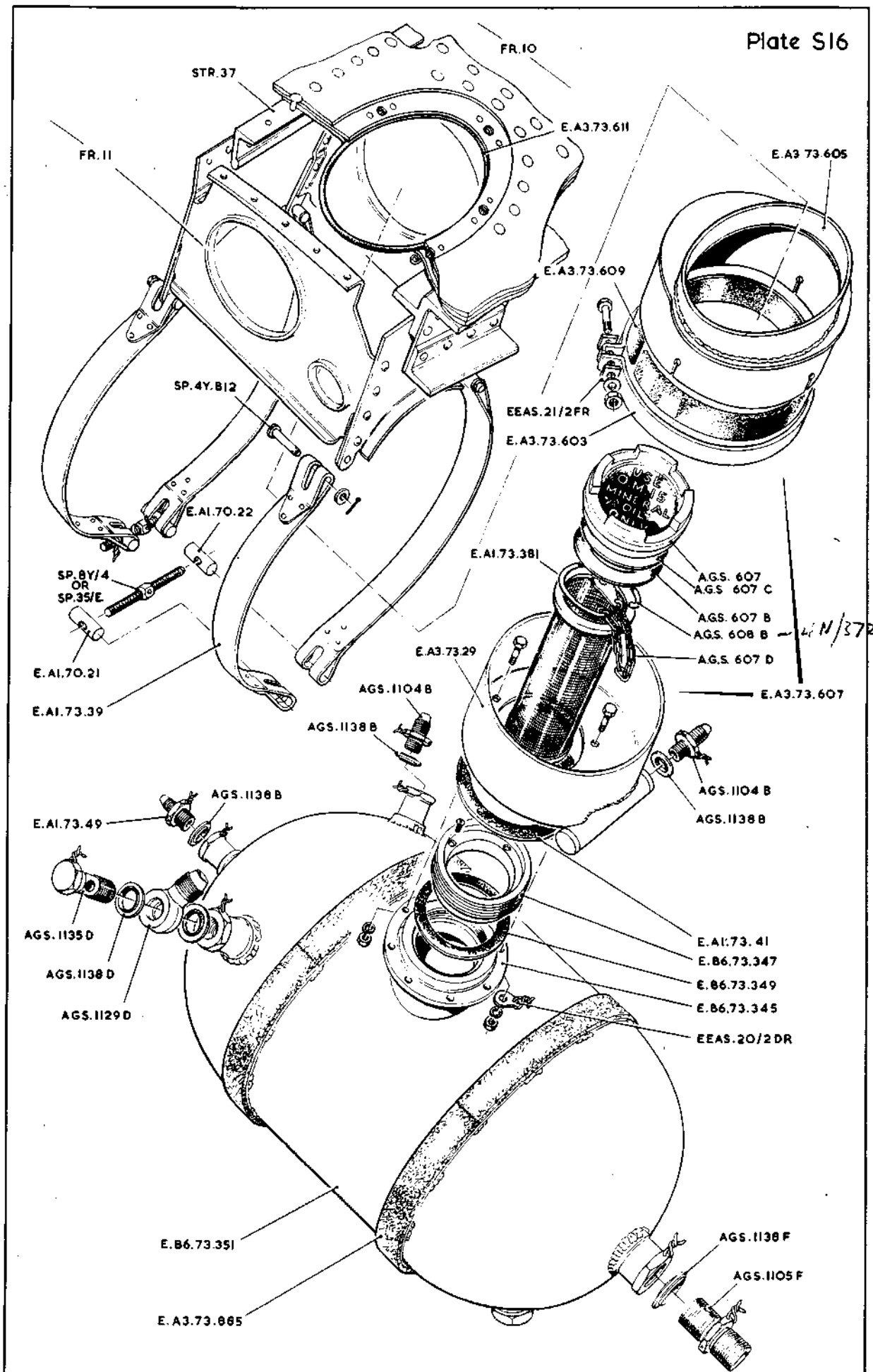
DEMISTER SYSTEM - DETAILS





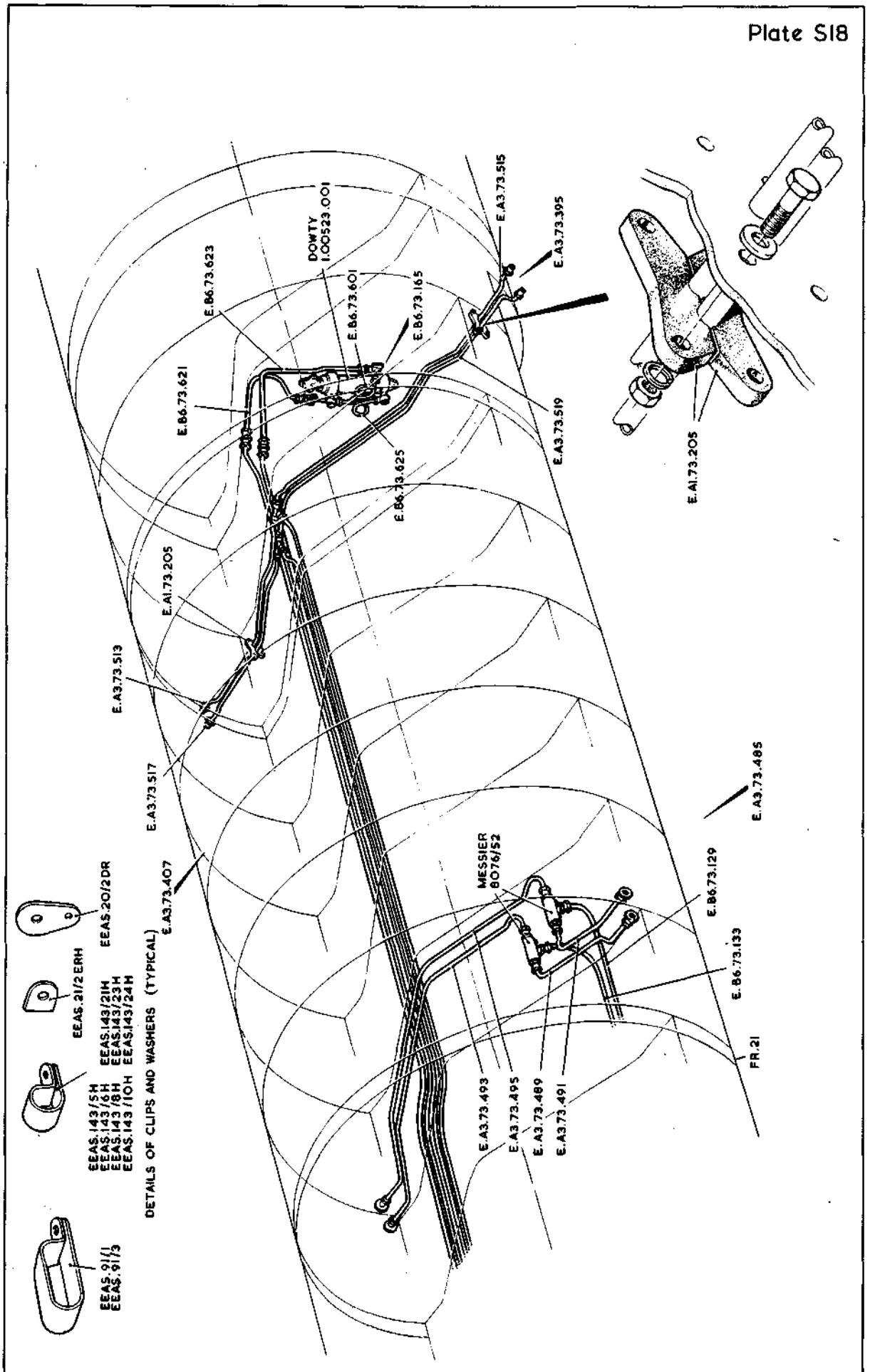
HYDRAULIC SYSTEM, FRONT FUSELAGE





HYDRAULIC RESERVOIR





HYDRAULIC SYSTEM , CENTRE FUSELAGE







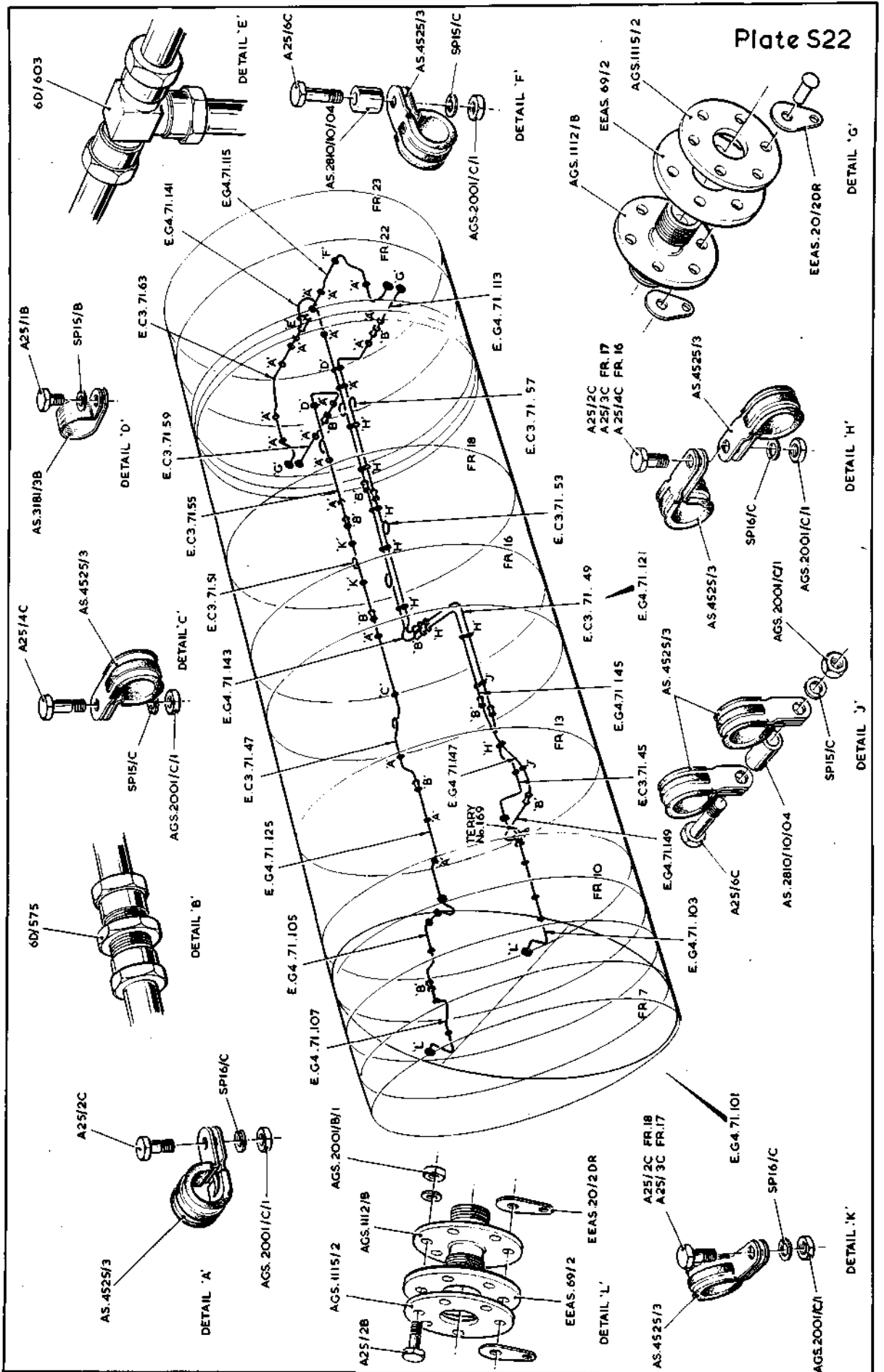
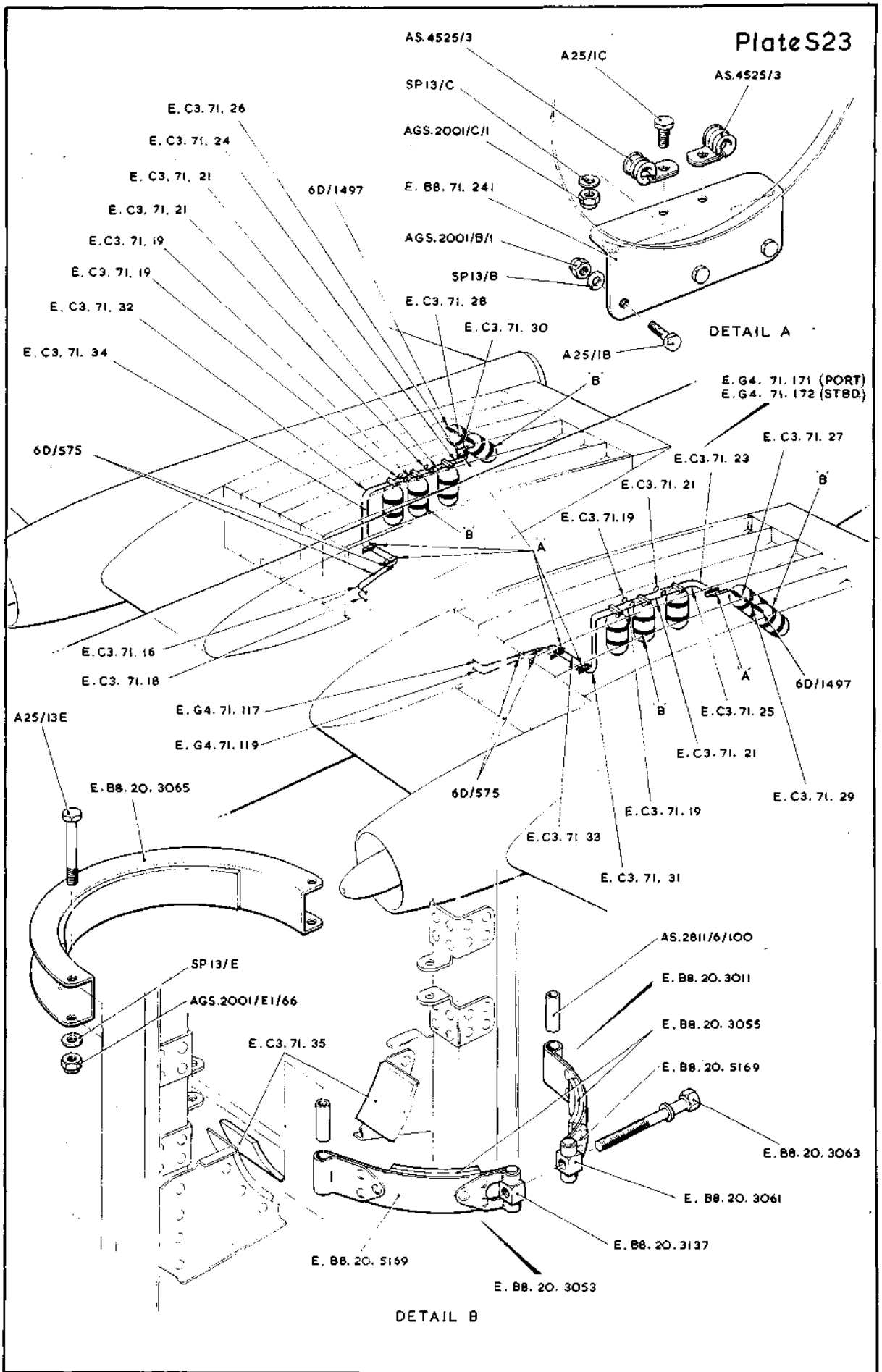


Plate S22

OXYGEN SYSTEM, PRESSURE BULKHEAD TO FRAME 23



OXYGEN SYSTEM IN MAIN PLANES

This file was downloaded  
from the RTFM Library.

Link: [www.scottbouch.com/rtfm](http://www.scottbouch.com/rtfm)

Please see site for usage terms,  
and more aircraft documents.

