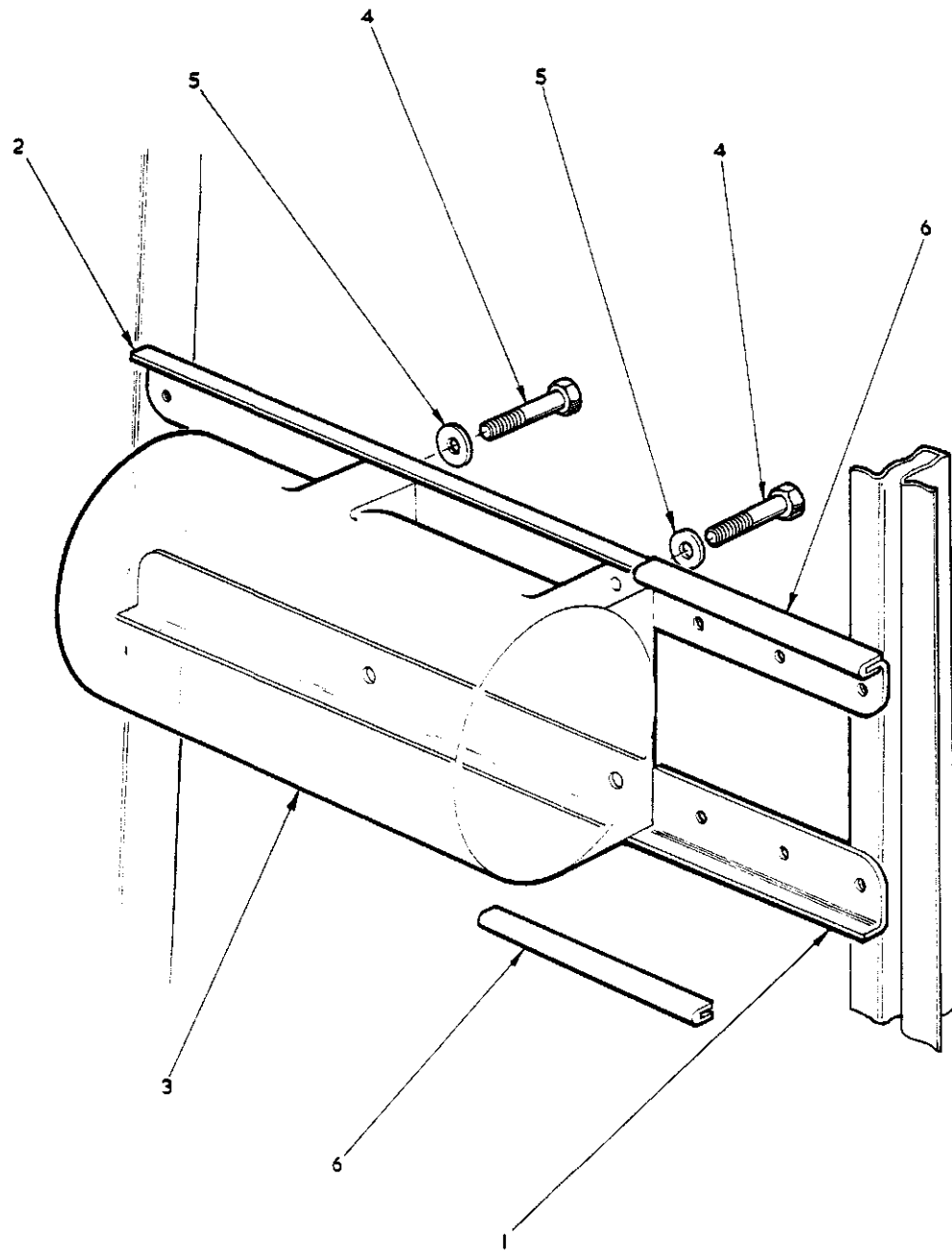
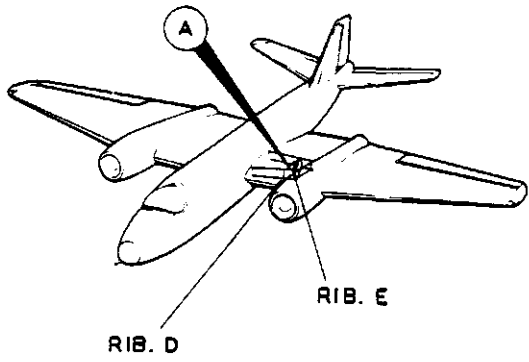


GENERAL ASSEMBLY OF AIRCRAFT

Part Number	Description	No. Off	Matl. Spec.	Plate No.
EG7.00.1	GENERAL ASSEMBLY OF AIRCRAFT Spares for:—	1	—	
R EA3.00.5807	. BONDING OF PIPELINES USING WOVEN WIRE MESH Spares for:—	—	—	
R 3089611377	. GAUZE, woven wire, tinned copper (40 mesh — 34 SWG) (SAS 4773)	QR	BS4109	
—	. CENTRE FUSELAGE, ASSEMBLY (See page HB1)	—	—	
—	. CENTRE FUSELAGE TO REAR FUSELAGE ATTACHMENT DETAILS (See page K1)	—	—	
—	. DROP TANK TO WING ATTACHMENT DETAILS, PORT (See page KA1)	—	—	
—	. DROP TANK TO WING ATTACHMENT DETAILS, STARBOARD (See page KB1)	—	—	
—	. ENGINE, MK.102, PORT, INSTALLATION (See page L1)	—	—	
—	. ENGINE, MK.102, STARBOARD, INSTALLATION (See page LA1)	—	—	
—	. FRONT FUSELAGE TO CENTRE FUSELAGE ATTACHMENT DETAILS (See page KD1)	—	—	
—	. JETTISON WING FUEL TANK, PORT, ASSEMBLY (See page Q1)	—	—	
—	. JETTISON WING FUEL TANK, STARBOARD, ASSEMBLY (See page QA1)	—	—	
—	. LAMPS, ANTI-COLLISION, INSTALLATION (EA3.00.1011) (See page EJ1)	—	—	
—	. MAIN SPAR COOLING, PORT, INSTALLATION (EA3.20.3299) (See page JP1)	—	—	
—	. MAIN SPAR COOLING, STARBOARD, INSTALLATION (EA3.20.3300) (See page JP1)	—	—	
—	. MOUNTING, SONAR LOCATOR BEACON (EA3.82.8103) (Mod.5441) Spares for:—	—	—	
EA3.82.8105	. ANGLE, mounting	1	—	1/1
EA3.82.8107	. ANGLE, mounting	1	—	1/2
8.201.00.001	. BEACON, sonar locator, type 17638 Attaching parts for beacon:—	1	—	1/3
LN29943K-06003	. Bolt, 6 mm dia.	4	—	1/4
SP124/E	. Washer	4	—	1/5
EE11/2	. EXTRUSION (Make from 32C/6216635) Attaching parts for EE11/2:—	2	—	1/6
EC1099	. Adhesive	QR	—	
—	. NOSE FUSELAGE ASSEMBLY (EG7.00.41) (See page H1)	—	—	
—	. REAR FUSELAGE AND TAIL UNIT ASSEMBLY (See page HD1)	—	—	
—	. UNDERCARRIAGE DOOR C/W MECHANISM, PORT, ASSEMBLY (See page JF1)	—	—	
—	. UNDERCARRIAGE DOOR C/W MECHANISM, STARBOARD ASSEMBLY (See page JG1)	—	—	
—	. WINDOW DISPENSING CONTAINER, PORT, ASSEMBLY (See page QB1)	—	—	
—	. WINDOW DISPENSING CONTAINER, STARBOARD, ASSEMBLY (See page QC1)	—	—	
—	. WING, PORT, ASSEMBLY (See page JH1)	—	—	
—	. WING, STARBOARD, ASSEMBLY (See page JJ1)	—	—	
—	. WING TO FUSELAGE ATTACHMENT DETAILS, PORT (See page K1)	—	—	
—	. WING TO FUSELAGE ATTACHMENT DETAILS, STARBOARD (See page K2)	—	—	

GENERAL ASSEMBLY OF AIRCRAFT

Part Number	Description 1 2 3 4 5 6	No. Off	Matl. Spec.	Plate No.
R -	. WING TIP CONTAINER TO WING ATTACHMENT DETAILS, PORT (See page K5)	-	-	
R -	. WING TIP CONTAINER TO WING ATTACHMENT DETAILS, STARBOARD (See page K6)	-	-	



DETAIL A

FIG. 1 GENERAL ASSEMBLY OF AIRCRAFT



This file was downloaded from the RTFM Library.

Link: www.scottbouch.com/rtfm

Please see site for usage terms, and more aircraft documents.

