

## BOMB BAY PACK

## BOMB BAY PACK INSTALLATION

Part Number	Description	No. Off	Matl. Spec.	Plate No.
-	PACKS, BOMB BAY, INSTALLATION (EG7.11.15) (Pre Mod 5466)	-	-	1/6
-	PACKS, BOMB BAY, INSTALLATION (EG7.11.5377) (Mod 5466)	-	-	
-	Spares for:- ALTS TO PACK BAY COOLING STRUCTURE (EG7.11.5021) (Mod 5466)	-	-	16/1
-	Spares for:-			
EG7.11.1519	. . . DISC, blanking assembly Spares for:-	7	-	16/2
EG7.11.1521	. . . DISC, blanking	1	-	16/3
EG7.11.1523	. . . PLATE, centre	1	-	16/4
AGS2007C1	. . . NUT, anchor, 2 BA	20	-	16/5
EG7.11.1515	. . . PLATE, clamping assembly Spares for:-	7	-	16/6
AGS2007E1	. . . NUT, anchor, 1/4" BSF	1	-	16/7
EG7.11.1517	. . . PLATE, clamping Attaching parts for EG7.11.1519 and EG7.11.1515 together:-	1	-	16/8
A25/5E	. . . Bolt, 1/4" BSF	1	-	16/9
EG7.11.1525	. . . Plate, clamping	1	-	16/10
AS2809-5-024	. . . Tube, distance	1	-	16/11
EG7.11.5123	. . . PLATE, end Attaching parts:-	1	-	16/12
A25/1C	. . . Bolt, 2 BA	4	-	16/13
AGS2001C1/66	. . . Nut, stiff, 2 BA	4	-	16/14
SP122D	. . . Washer	8	-	16/15
EG7.11.1375	. . . PLATE, end Attaching parts:-	3	-	16/16
A25/1C	. . . Bolt, 2 BA	3	-	16/17
AGS2001C1/66	. . . Nut, stiff, 2 BA	3	-	16/18
SP122D	. . . Washer	6	-	16/19
EG7.11.5129	. . . PLATE, blanking Attaching parts:-	1	-	16/20
A25/1C	. . . Bolt, 2 BA	6	-	16/21
SP122D	. . . Washer	6	-	16/22
EG7.11.5137	. . . STACKPIPE Attaching parts:-	1	-	16/23
EG7.11.5139	. . . Block, packing	1	-	16/24
A25/5C	. . . Bolt, 2 BA	4	-	16/25
SP122D	. . . Washer	4	-	16/26

## BOMB BAY PACK

## BOMB BAY PACK INSTALLATION

Part Number	1 2 3 4 5 6	Description	No.	Mati. Spec.	Plate No.
			Off		
R EG7.11.5135	. .	STACKPIPE	1	-	16/27
		Attaching parts:-			
R A25/1C	. .	Bolt, 2 BA	4	-	16/28
R SP122D	. .	Washer	4	-	16/29
R EG7.11.5127	. .	STACKPIPE	1	-	16/30
R EG7.11.5131	. .	STACKPIPE	1	-	16/31
		Attaching parts for EG7.11.5127 and EG7.11.5131:-			
R A25/1C	. .	Bolt, 2 BA	6	-	16/32
R SP122D	. .	Washer	6	-	16/33

## BOMB BAY PACK

## BOMB BAY PACK INSTALLATION

Part Number	Description	No. Off	Mati. Spec.	Plate No.	1 2 3 4 5 6					
—	. ATTACHMENTS, PACK, ASSEMBLY (EG7.11.21) Spares for:—	—	—	1/14						
EG7.11.405	. . . BOLT, 3/8" BSF shouldered, link to eye bolt, attachment	4	S95	2/25						
EA9.11.835	. . . CHANNEL, attachment, for centre stay at bomb beam, frame 20 Attaching parts for EA9.11.835:—	1	L40	2/5						
A25/6E	. . . Bolt, 1/4" BSF hex. head	12	—	2/4						
AGS2001/E/1	. . . Nut, stiff, 1/4" BSF	12	—	2/9						
SP15/E	. . . Washer, 1/4" BSF plain	12	—	2/7						
EG7.11.381	. . . EYE-BOLT, special, link to structure pick-up, frames 13 and 29	4	S95	2/1						
EG7.11.385	. . . EYE-BOLT, special, link to structure pick-up, frames 13 to 29	4	S95	2/11						
EA9.97.1231	. . . EYE-BOLT, PACK SUPPORT, ATTACHMENT AT FRAME 21, GROUP Consisting of:—	2	—	1/10						
EA9.97.435	. . . . EYE-BOLT, INNER, GROUP Spares for:—	1	—	1/13						
HOFFMANN CJ7	. . . . . JOINT, self aligning	1	—	1/16						
EA9.97.1108	. . . . . NUT, lock	1	—	1/5						
EA9.97.437	. . . . . NUT, special	1	S94	1/1						
EA9.97.1107	. . . . . SCREW, special adjusting	1	S93	1/8						
EG7.11.43	. . . FRAME, SUPPORT, BOMB BAY PACK, AT FRAME 21, GROUP Spares for:—	1	L73	1/3						
EA9.97.429	. . . . . ADJUSTER, ATTACHMENT TO PACK, GROUP Consisting of:—	2	—	1/24						
EA9.97.307	. . . . . ADJUSTER	1	S95	1/23						
EA9.97.309	. . . . . EYE-BOLT, ASSEMBLY Spares for:—	1	—	1/25						
HOFFMANN CJ5	. . . . . JOINT, self aligning	1	—	1/27						
EA9.97.430	. . . . . NUT, special	1	—	1/22						
EA9.97.306	. . . . . BLOCK, attachment	2	S95	1/20						
EA9.97.308	. . . . . BLOCK, attachment Attaching parts for EA9.97.306 and 308	2	S95	1/2						
A59/24G	. . . . . Bolt, 5/16" BSF hex. head	6	—	1/11						
A27/GP	. . . . . Nut, 5/16" BSF plain	6	—	1/17						
SP13/G	. . . . . Washer, 5/16" BSF plain	6	—	1/7						

## BOMB BAY PACK

## BOMB BAY PACK INSTALLATION

Part Number	Description	No. Off	Matl. Spec.	Plate No.
EG7.82.2001	. . . BRACKET, CABLE SUPPORT, ASSEMBLY Spares for:—	1	—	1/19
EG7.82.805	. . . . RETAINER, cable strap, assembly Attaching parts for EG7.11.43:—	4	—	1/18
EA9.97.438	. . . Bolt, special 5/8" BSF	2	S94	1/4
A27/QS	. . . Nut, 5/8" BSF slotted	2	—	1/12
SP90/G10	. . . Pin, split	2	—	1/15
SP13/Q	. . . Washer, 5/8" BSF plain	2	—	1/9
EG7.11.383	. . . LINK, pack stay connecting	8	L65	2/22
A27/QS	. . . NUT, 5/8" BSF slotted, special ball attachment, frames 13 and 29	4	—	2/2
EG7.11.409	. . . PIN, parallel, support frame attachment to pack frame 21	2	S95	1/26
SP90/G7	. . . PIN, split, for parallel pin	2	—	1/28
SP90/G10	. . . PIN, split, for slotted nut	4	—	2/8
S5134/611	. . . PIN, "pip", quick release, forward and aft pack locating, frame 21	2	—	1/21
EA9.97.305	. . . STAY, PACK SUPPORT, FRAME 21, GROUP Spares for:—	1	—	2/12
EA9.97.300	. . . . EYE-BOLT	1	S95	2/14
EA9.97.694	. . . . EYE-BOLT Attaching parts for EA9.97.305:—	1	S92	2/17
EG7.11.401	. . . Bolt, special, 3/8" BSF	1	S97	2/20
EA9.97.696	. . . Bolt, special, 9/16" BSF	1	S97	2/3
A27/JS	. . . Nut, 3/8" BSF slotted	1	—	2/27
A27/PS	. . . Nut, 9/16" BSF slotted	1	—	2/16
SP90/E8	. . . Pin, split	1	—	2/21
SP90/G12	. . . Pin, split	1	—	2/10
EA9.97.695	. . . Tube, distance	1	S94	2/6
SP13/P	. . . Washer, 9/16" BSF plain	2	—	2/15
EG7.11.387	. . . STRUT, SUPPORT, FRAMES 13 AND 29, ASSEMBLY Spares for:—	2	L62	2/26
EG7.11.393	. . . . END-FITTING, ASSEMBLY Consisting of:—	1	S95	3/35
EG7.11.395	. . . . . EYE-BOLT	1	S95	2/36
EG7.11.397	. . . . . NUT, adjusting	1	S95	2/38
A27/ES	. . . . . NUT, 1/4" BSF slotted	1	—	2/34
SP90/C5	. . . . . PIN, split Attaching parts for EG7.11.387	1	—	2/37
A25/3C	. . . Bolt, 2 BA hex. head	2	—	2/13
A27/CS	. . . Nut, 2 BA slotted	2	—	2/19
SP13/C	. . . Washer, 2 BA plain	2	—	2/18
SP90/C8	. . . Pin, split	2	—	

## BOMB BAY PACK INSTALLATION

Ref. No.	Part No.	Description	No. off	Matl. Spec.	Cl. of Equip. M.R. L.M.	Fig. and Index
		COOLING SYSTEM, ASSEMBLY (E.G7.11.25) .....	—	—	—	3/54
		Spares for:—				
	E.F3.75.1147	BLOCK, saddle, stack pipe support .....	1	Tufnol	—	4/41
42726	E.G7.11.423	BRACKET, stack pipe saddle clip .....	1	L73	C	4/44
26DK/5707	E.B2.75.1869	CLIP, saddle .....	1	DTD124	C	4/27
		Attaching parts:—				
28D/9133011	A25/2C	Bolt, 2 BA hex. head .....	2	—	C	4/17
28M/1278190	AGS.2001/C/1	Nut, stiff, 2 BA .....	2	—	C	4/35
28W/9419475	SP15/C	Washer, 2 BA plain .....	2	—	C	4/15
1438891	E.G7.11.1519	DISC, blanking, assembly .....	1	—	C	4/20
		Attaching parts for E.G7.11.1519:—				
28D/1911238	A25/3E	Bolt, 1/4" BSF, hex. head .....	1	—	C	4/21
1438894	AS.2809/5/024	Piece, distance .....	1	—	C	4/22
1438892	E.G7.11.1515	Plate, clamping .....	1	—	C	4/23
1438893	E.G7.11.1525	Plate, clamping .....	1	L72	C	4/24
42727	E.G7.11.421	PIPE, stack, assembly .....	1	L67	C	4/28
42728	E.G7.11.447	PIPE, flexible, coolant line .....	2	Fluoro Flex	C	4/34
42729	E.G7.11.449	PIPE, flexible, coolant line .....	2	Fluoro Flex	C	4/33
42730	E.G7.11.451	PIPE, flexible, coolant line .....	1	Fluoro Flex	C	4/31
42731	E.G7.11.453	PIPE, flexible, coolant line .....	1	Fluoro Flex	C	4/32
1438895	E.G7.11.1497	PIPE, stack, assembly .....	1	—	C	4/25
		Attaching parts for E.G7.11.1497:—				
1438897	E.G7.11.1507	Block, packing .....	1	BS.2572 F1	C	4/26
28D/9133013	A25/5C	Bolt, 2 BA hex. head .....	4	—	C	4/19
28W/9419475	SP15/C	Washer, 2 BA plain .....	4	—	C	4/18
1438896	E.G7.11.1499	PIPE, stack, assembly .....	1	—	C	4/30
		Attaching parts for E.G7.11.1499:—				
1438897	E.G7.11.1507	Block, packing .....	1	BS.2572 F1	C	4/26
28D/9133013	A25/5C	Bolt, 2 BA hex. head .....	4	—	C	4/19
28W/9419475	SP15/C	Washer, 2 BA plain .....	4	—	C	4/18
42732	E.G7.11.1375	PLATE, end, stack pipe, No. 5 mesh, 24 SWG .....	1	—	C	4/9
		Attaching parts for E.G7.11.1375:—				
28D/9436920	A25/1C	Bolt, 2 BA hex. head .....	3	—	C	4/8
28M/1278190	AGS.2001/C/1	Nut, stiff, 2 BA .....	3	—	C	4/14
28W/9419475	SP15/C	Washer, 2 BA plain .....	3	—	C	4/13
42733	E.G7.11.303	SCODP, INTAKE, ASSEMBLY .....	1	—	B	3/37
		Spares for:—				
	E.G7.11.665	SEAL (Make from 32C/485) .....	1	—	LM	3/48
		Attaching parts for E.G7.11.303:—				
28D/9133012	A25/3C	Bolt, 2 BA hex. head .....	2	—	C	3/53
1028	EEAS.1/3C	Screw, 2 BA, 120° c'sk head .....	24	S96	C	3/41
		SHUTTERS, INTAKE, ASSEMBLY (E.G7.49.1) .....	—	—	—	3/31
		Spares for:—				
1438540	E.G7.49.123	CABLE, assembly, 15 cwt. .....	1	W11	C	4/6
		Attaching parts for E.G7.49.123:—				
28P/1207864	SP4Y/B4	Pin, shackle .....	1	—	C	4/29
28P/1021104	SP90/C3	Pin, split .....	1	—	C	4/1
28W/9419402	SP13/C	Washer, 2 BA plain .....	1	—	C	4/2
42736	E.G7.49.13	CABLE, assembly, 15 cwt. .....	1	W11	C	4/45
		Attaching parts for E.G7.49.13:—				
28P/1207864	SP4Y/B4	Pin, shackle .....	1	—	C	4/48
28P/1021104	SP90/C3	Pin, split .....	1	—	C	4/37
28W/9419402	SP13/C	Washer, 2 BA plain .....	1	—	C	4/40

BOMB BAY PACK

BOMB BAY PACK INSTALLATION

Ref. No.	Part No.	Description							No. off	Matl. Spec.	Cl. of Equip. M.R. L.M.	Fig. and Index
		1	2	3	4	5	6	7				
42737	E.G7.49.15	CABLE, assembly, 15 cwt. ....							1	W11	C	3/44
		Attachments for E.G7.49.15:--										
28P/1207864	SP4Y/B4	Pin, shackle .....							1	-	C	3/46
28P/1021104	SP90/C3	Pin, split .....							1	-	C	3/35
28W/9419402	SP13/C	Washer, 2 BA plain .....							1	-	C	3/36
43112	E.G7.49.113	CABLE, assembly, 15 cwt. ....							1	W11	C	3/45
		Attaching parts for E.G7.49.113:--										
28P/1207864	SP4Y/B4	Pin, shackle .....							2	-	C	3/32
28P/1021104	SP90/C3	Pin, split .....							2	-	C	3/22
28W/9419402	SP13/C	Washer, 2 BA plain .....							2	-	C	3/23
	E.G7.49.3	SHUTTER, FORWARD SCOOP, FORWARD PACK, ASSEMBLY							1	-	-	4/3
		Spares for:--										
42739	E.G7.49.79	BLOCK, pivot .....							1	L65	C	3/51
42740	E.G7.49.81	BLOCK, pivot .....							1	L65	C	3/27
28D/9133014	A25/13C	BOLT, 2 BA hex. head .....							4	-	C	3/17
42741	E.G7.49.49	CONNECTOR, cable .....							1	S94	C	3/30
42742	E.G7.49.67	CONNECTOR, cable .....							1	S94	C	4/16
	E.G7.49.83	COVER .....							1	L72	-	3/52
42743	E.G7.49.87	EXTENSION, lubricating nipple .....							1	S114	C	3/38
28K/4070367	SP7/Y/CL	JOINT, fork, 2 BA, L.H. ....							1	-	C	4/11
42744	E.G7.49.19	LEVER .....							1	S94	C	4/4
28N/9156370	SP21	NIPPLE, lubricating .....							1	-	C	3/34
28M/1006473	A27/CT	NUT, 2 BA thin .....							1	-	C	4/6
28M/4095891	A27/CTL	NUT, 2 BA thin, L.H. ....							1	-	C	4/10
28M/5808573	A27/CS	NUT, 2 BA slotted .....							1	-	C	3/19
42745	E.G7.49.55	PACKING .....							4	L72	C	3/25
28P/9446312	SP4Y/B3	PIN, shackle .....							1	-	C	4/12
28P/1207864	SP4Y/B4	PIN, shackle .....							2	-	C	4/29
28P/1021104	SP90/C3	PIN, split .....							3	-	C	4/1
28P/9710567	SP90/C4	PIN, split .....							4	-	C	3/20
28U/7106525	SP35/C	ROD, tension .....							1	-	C	4/7
42746	E.G7.49.61	SPINDLE AND SHUTTER, ASSEMBLY							1	-	C	3/42
		Consisting of:--										
28P/9713614	SP28/K8	PIN, taper .....							3	-	C	3/50
	E.G7.49.23	SHUTTER .....							1	S514	-	3/10
	E.G7.49.21	SPINDLE .....							1	S98	-	3/40
28W/9419402	SP13/C	WASHER, 2 BA plain .....							3	-	C	3/18
	E.G7.49.5	SHUTTER, AFT SCOOP, FORWARD PACK, ASSEMBLY							1	-	-	4/39
		Spares for:--										
42739	E.G7.49.79	BLOCK, pivot .....							1	L65	C	3/51
42740	E.G7.49.81	BLOCK, pivot .....							1	L65	C	3/27
28D/9133014	A25/13C	BOLT, 2 BA hex. head .....							4	-	C	3/17
42747	E.G7.49.47	CONNECTOR, cable .....							1	S94	C	4/43
	E.G7.49.83	COVER .....							1	L72	-	3/52
42743	E.G7.49.87	EXTENSION, lubricating nipple .....							1	S114	C	3/38
28K/4070367	SP7/Y/CL	JOINT, fork .....							1	-	C	4/47
42744	E.G7.49.19	LEVER .....							1	S94	C	4/42
28N/9156370	SP21	NIPPLE, lubricating .....							1	-	C	3/34

## BOMB BAY PACK

## BOMB BAY PACK INSTALLATION

Part Number	Description						No. Off	Matl. Spec.	Plate No.
	1	2	3	4	5	6			
R A27/CT	.	.	.	.	.	.	1	-	4/36
A27/CTL	.	.	.	.	.	.	1	-	4/46
A27/CS	.	.	.	.	.	.	4	-	3/19
EG7.49.55	.	.	.	.	.	.	4	L72	3/35
SP4Y/B3	.	.	.	.	.	.	1	-	4/49
SP4Y/B4	.	.	.	.	.	.	1	-	4/28
SP90/C3	.	.	.	.	.	.	2	-	4/37
SP90/C4	.	.	.	.	.	.	4	-	3/20
R SP35/C	.	.	.	.	.	.	1	-	4/38
EG7.49.61	.	.	.	.	.	.	1	-	3/42
SP28/K8	.	.	.	.	.	.	3	-	3/50
EG7.49.23	.	.	.	.	.	.	1	S514	3/10
EG7.49.21	.	.	.	.	.	.	1	S98	3/40
SP13/C	.	.	.	.	.	.	2	-	3/18
EG7.49.111	.	.	.	.	.	.	1	-	3/47
EG7.49.79	.	.	.	.	.	.	1	L65	3/51
EG7.49.81	.	.	.	.	.	.	1	L65	3/27
A25/13C	.	.	.	.	.	.	4	-	3/17
EG7.49.49	.	.	.	.	.	.	2	S94	3/30
EG7.49.83	.	.	.	.	.	.	1	L72	3/52
EG7.49.87	.	.	.	.	.	.	1	S114	3/38
EG7.49.115	.	.	.	.	.	.	1	S95	3/49
SP21	.	.	.	.	.	.	1	-	3/34
A27/CS	.	.	.	.	.	.	4	-	3/19
EG7.49.55	.	.	.	.	.	.	4	L72	3/25
SP4Y/B4	.	.	.	.	.	.	2	-	3/39
SP90/C3	.	.	.	.	.	.	2	-	3/43
SP90/C4	.	.	.	.	.	.	4	-	3/20
EG7.49.61	.	.	.	.	.	.	1	-	3/42
SP28/K8	.	.	.	.	.	.	3	-	3/50
EG7.49.23	.	.	.	.	.	.	1	S514	3/10
EG7.49.21	.	.	.	.	.	.	1	S98	3/40
SP13/C	.	.	.	.	.	.	2	-	3/33

## BOMB BAY PACK

## BOMB BAY PACK INSTALLATION

Part Number	Description						No. Off	Mati. Spec.	Plate No.
	1	2	3	4	5	6			
—	. . . .	SPRING AND MICRO SWITCHES, INSTALLATION (EG7.49.99)	—	—	—	—	—	3/4	
		Spares for:—							
EG7.49.101	. . . .	BRACKET	1	L72	—	—	3/24		
		Attaching parts for EG7.49.101:—							
A25/2C	. . . .	Bolt, 2 BA hex. head	2	—	—	—	3/9		
AGS2001/C/1	. . . .	Nut, stiff, 2 BA	2	—	—	—	3/1		
EEAS21A/8HR	. . . .	Washer, "D"	2	L72	—	—	3/2		
EG7.49.102	. . . .	BRACKET	1	L72	—	—	3/26		
		Attaching parts for EG7.49.102:							
A25/2C	. . . .	Bolt, 2 BA hex. head	2	—	—	—	3/9		
AGS2001/C/1	. . . .	Nut, stiff, 2 BA	2	—	—	—	3/1		
EEAS21A/8HR	. . . .	Washer, "D"	2	L72	—	—	3/2		
EG7.49.109	. . . .	CONNECTOR, spring	1	S95	—	—	3/28		
EG7.49.107	. . . .	PLATE, mounting	2	L72	—	—	3/5		
		Attaching parts for EG7.49.107:—							
A25/1C	. . . .	Bolt, 2 BA hex. head	4	—	—	—	3/7		
SP13/C	. . . .	Washer, 2 BA plain	4	—	—	—	3/6		
EG7.49.103	. . . .	SPACER	1	L72	—	—	3/16		
EG7.49.59	. . . .	SPRING	1	DTD215	—	—	3/29		
		Attaching parts for EG7.49.59:—							
SP4Y/B4	. . . .	Pin, shackle	2	—	—	—	3/8		
SP90/C3	. . . .	Pin, split	2	—	—	—	3/21		
EG7.49.75	. . . .	Roller	2	L65	—	—	3/22		
SP13/C	. . . .	Washer, 2 BA plain	2	—	—	—	3/15		
HONEYWELL 1HY1 MK3	. . . .	SWITCH, micro	2	—	—	—	3/3		
		Attaching parts for 1HY1 MK3:—							
A25/9B	. . . .	Bolt, 4 BA hex. head	1	—	—	—	3/13		
A25/10B	. . . .	Bolt, 4 BA hex. head	1	—	—	—	3/28		
EG7.49.125	. . . .	Plate, anchor nut, 4 BA	1	L72	—	—	3/12		
SP13/B	. . . .	Washer, 4 BA plain	2	—	—	—	3/14		
EEAS238/1A	. . . .	WASHER, "D"	2	L72	—	—	3/11		
EG7.11.41	. . . .	PACK, BOMB BAY, ASSEMBLY (Pre Mod 5466)	1	—	—	—	5/30		
EG7.11.5379	. . . .	PACK, BOMB BAY, ASSEMBLY (Mod 5466)	1	—	—	—			
		Spares for:—							
—	. . . .	ALTS TO GA OF PACK STRUCTURE (EG7.11.5381) (Mod 5466)	—	—	—	—			
		Spares for:—							
—	. . . .	CHANGES TO PACK BAY TO SUIT ARI23363, PORT (EG7.11.5013) (Mod 5466)	—	—	—	—			
—	. . . .	CHANGES TO PACK BAY TO SUIT ARI23363, STARBOARD (EG7.11.5014) (Mod 5466)	—	—	—	—			
		Spares for:—							
EG7.11.5015	. . . .	ANGLE, port and stbd.	6	1.2 mm - L164	—	—	11/1		
EG7.11.609	. . . .	ANGLE, port and stbd.	2	—	—	—	11/2		
EG7.11.589	. . . .	BRACKET, port and stbd.	3	—	—	—	11/3		
EG7.11.583	. . . .	CHANNEL, port and stbd.	3	—	—	—	11/4		
		Attaching parts:—							
AS1242/3C	. . . .	Bolt, 2 BA	1	—	—	—	11/5		
A59/3C	. . . .	Bolt, 2 BA	2	—	—	—	11/6		
AGS2001C1/66	. . . .	Nut, stiff, 2 BA	3	—	—	—	11/7		
SP122D	. . . .	Washer	3	—	—	—	11/8		

## BOMB BAY PACK

## BOMB BAY PACK INSTALLATION

Part Number	Description	No. Off	Matl. Spec.	Plate No.
R EG7.11.591	. . . . . PLATE, bearing, port and stbd.	3	-	11/9
R EG7.11.597	. . . . . PLATE, bearing, port and stbd.	2	-	11/10
R A415	. . . . . PIN, pip, port and stbd.	3	-	11/11
R EG7.11.585	. . . . . STRIP, reinforcing, port and stbd.	3	-	11/12
R -	. . . . . CHANGES TO PACK BAY TO SUIT ARI23362 (EG7.11.5019) (Mod 5466) Spares for: -	-	-	
R EG7.11.587	. . . . . ANGLE	1	-	11/13
R EG7.11.588	. . . . . ANGLE	1	-	11/14
R AS1242/3C	. . . . . BOLT, 2 BA	1	-	11/15
R A59/3C	. . . . . BOLT, 2 BA	5	-	11/16
R EG7.11.589	. . . . . BRACKET	1	-	11/17
R EG7.11.583	. . . . . CHANNEL	1	-	11/18
R AGS2001C1/66	. . . . . NUT, stiff, 2 BA	6	-	11/19
R EG7.11.591	. . . . . PLATE, bearing	1	-	11/20
R EG7.11.585	. . . . . STRIP, reinforcing	1	-	11/21
R SP13C	. . . . . WASHER	9	-	11/22
R EEAS21A8EX	. . . . . WASHER, "D"	2	-	11/23
R -	. . . . . INSTALLATION OF CABLE SUPPORT (EG7.82.5861) (Mod 5466) Spares for: -	-	-	12/1
R EG7.82.5851	. . . . . ANGLE, support	1	-	12/2
R EG7.82.5853	. . . . . ANGLE, support	1	-	12/3
R EG7.82.5855	. . . . . ANGLE, support	1	-	12/4
R EG7.82.5857	. . . . . ANGLE, support	1	-	12/5
R EG7.82.5859	. . . . . CLEAT	1	-	12/6
R EG7.82.5847	. . . . . PIECE, joint assembly Attaching parts: -	1	-	12/7
R A25/1C	. . . . . Bolt, 2 BA	12	-	12/8
R EEAS1/1C	. . . . . Bolt, 2 BA	4	-	12/9
R SP124D	. . . . . Washer	12	-	12/10
R EEAS132/9	. . . . . STRAP, cable Attaching parts: -	3	-	12/11
R A25/2B	. . . . . Bolt, 4 BA	3	-	12/12
R EEAS73	. . . . . Clamp	3	-	12/13
R AGS2001B1	. . . . . Nut, stiff, 4 BA	3	-	12/14
R SP15B	. . . . . Washer	3	-	12/15
R -	. . . . . INSTALLATION OF LIQUID COOLING PACK STRUCTURE (EG7.11.5023) (Mod 5466) Spares for: -	-	-	13/1
R EG7.11.5091	. . . . . ANGLE Attaching parts: -	1	-	13/2
R A59/2C	. . . . . Bolt, 2 BA	1	-	13/3
R AGS2001C1/66	. . . . . Nut, stiff, 2 BA	1	-	13/4
R EG7.11.5143	. . . . . ANGLE	1	-	13/5
R EG7.11.5147	. . . . . ANGLE	2	-	13/6

## BOMB BAY PACK

## BOMB BAY PACK INSTALLATION

Part Number	Description						No. Off	Matl. Spec.	Plate No.
	1	2	3	4	5	6			
R EG7.11.5101	.	.	.	.	ANGLE, assembly	1	-	13/7	
					Spares for:-				
R EG7.11.5107	.	.	.	.	ANGLE	1	-	13/8	
R AGS2008C1	.	.	.	.	NUT, anchor, 2 BA	1	-	13/9	
					Attaching parts for EG7.11.5101:-				
R A59/2C	.	.	.	.	Bolt, 2 BA	2	-	13/10	
R AGS2001C1/66	.	.	.	.	Nut, stiff, 2 BA	2	-	13/11	
R EG7.11.5053	.	.	.	.	ANGLE	1	-	13/12	
					Attaching parts:-				
R A59/2C	.	.	.	.	Bolt, 2 BA	2	-	13/13	
R AGS2001C1/66	.	.	.	.	Nut, stiff, 2 BA	2	-	13/14	
R EG7.11.5159	.	.	.	.	ANGLE	1	-	13/15	
R EG7.11.5165	.	.	.	.	ANGLE	1	-	13/16	
R EG7.11.5103	.	.	.	.	BRACKET, support	1	-	13/17	
R EG7.11.5097	.	.	.	.	BRACKET, support assembly	1	-	13/18	
					Spares for:-				
R EG7.11.5121	.	.	.	.	BRACKET	1	-	13/19	
R LN29985A05	.	.	.	.	NUT, anchor, 2 BA	4	-	13/20	
R EG7.11.5093	.	.	.	.	BRACKET, support	1	-	13/21	
R EG7.11.5323	.	.	.	.	BRACKET	1	-	13/22	
R EG7.11.5329	.	.	.	.	BRACKET, "Z", assembly	2	-	13/23	
					Spares for:-				
R EG7.11.5327	.	.	.	.	BRACKET, "Z"	1	-	13/24	
R AGS2007C1	.	.	.	.	NUT, anchor, 2 BA	1	-	13/25	
R EG7.11.5331	.	.	.	.	BRACKET, assembly	1	-	13/26	
					Spares for:-				
R EG7.11.5325	.	.	.	.	BRACKET	1	-	13/27	
R AGS2007C1	.	.	.	.	NUT, anchor, 2 BA	1	-	13/28	
R EG7.11.5333	.	.	.	.	BRACKET, assembly	2	-	13/29	
					Spares for:-				
R EG7.11.5319	.	.	.	.	BRACKET	1	-	13/30	
R AGS2007C1	.	.	.	.	NUT, anchor, 2 BA	1	-	13/31	
R EG7.11.5335	.	.	.	.	BRACKET, "Z" assembly	3	-	13/32	
					Spares for:-				
R EG7.11.5337	.	.	.	.	BRACKET	1	-	13/33	
R AGS2007C1	.	.	.	.	NUT, anchor, 2 BA	1	-	13/34	
R EG7.11.5339	.	.	.	.	BRACKET, assembly	2	-	13/35	
					Spares for:-				
R EG7.11.5315	.	.	.	.	BRACKET	1	-	13/36	
R AGS2018C1	.	.	.	.	NUT, anchor, 2 BA	1	-	13/37	
R EG7.11.5341	.	.	.	.	BRACKET, assembly	1	-	13/38	
					Spares for:-				
R EG7.11.5317	.	.	.	.	BRACKET	1	-	13/39	
R AGS2018C1	.	.	.	.	NUT, anchor, 2 BA	1	-	13/40	

## BOMB BAY PACK

## BOMB BAY PACK INSTALLATION

Part Number	Description						No. Off	Matl. Spec.	Plate No.
	1	2	3	4	5	6			
R	EG7.11.5105	.	.	.	.	MEMBER, "T"	1	-	13/41
R	EG7.11.5151	.	.	.	.	PACKER	1	-	13/42
R	EG7.11.5161	.	.	.	.	PACKER	1	-	13/43
R	EG7.11.5163	.	.	.	.	PACKER	1	-	13/44
R	EG7.11.5087	.	.	.	.	PLATE	1	-	13/45
R	EG7.11.5095	.	.	.	.	PLATE	1	-	13/46
R	EG7.11.5153	.	.	.	.	UPRIGHT, side	1	-	13/47
R	EG7.11.5155	.	.	.	.	UPRIGHT, front	1	-	13/48
						Spares for:-			
R	EG7.11.5145	.	.	.	.	BLANK	1	-	13/49
R	LN65007/A/06	.	.	.	.	NUT, anchor	2	-	13/50
R	-	.	.	.	.	INSTALLATION OF HEAT EXCHANGER AND FAN MOUNTING STRUCTURE (EG7.11.5025) (Mod 5466)	-	-	14/1
						Spares for:-			
R	EG7.11.5307	.	.	.	.	BOX, heat exchanger, assembly	1	-	14/2
						Spares for:-			
R	EG7.11.5063	.	.	.	.	BOX, assembly	1	-	14/3
						Spares for:-			
R	EG7.11.5311	.	.	.	.	ANGLE	2	1.2 mm - L165	14/4
R	EG7.11.5065	.	.	.	.	DUCT, transition	1	-	14/5
						Spares for:-			
R	LN29983/06	.	.	.	.	NUT, anchor	1	-	14/6
R	EG7.11.5345	.	.	.	.	PACKING	1	S527	14/7
R	PAN5505/G/ 151426/T	.	.	.	.	PACKING	1	-	14/8
R	EG7.11.5041	.	.	.	.	PLATE, intake	1	1.2 mm - L165	14/9
R	EG7.11.5043	.	.	.	.	PLATE, exhaust	1	1.2 mm - L165	14/10
R	EG7.11.5057	.	.	.	.	PLATE, side	2	1.2 mm - L165	14/11
R	A59/2C	.	.	.	.	BOLT, 2 BA	2	-	14/12
R	AGS2009/C/1	.	.	.	.	NUT, anchor, 2 BA	1	-	14/13
R	AGS2020/C/1	.	.	.	.	NUT, anchor, 2 BA	1	-	14/14
R	EG7.11.5309	.	.	.	.	PLATE, base	1	1.6 mm - L165	14/15
R	EG7.11.5051	.	.	.	.	SEAL, "P"	2	-	14/16
						Attaching parts:-			
R	A59/2C	.	.	.	.	Bolt, 2 BA	3	-	14/17
R	EG7.11.5075	.	.	.	.	Clamp, plate	1	-	14/18
R	SP124/D	.	.	.	.	Washer	3	-	14/19
R	EG7.11.5067	.	.	.	.	SUPPORT, seal assembly	2	-	14/20
						Spares for:-			
R	AGS2007/C/1	.	.	.	.	NUT, anchor, 2 BA	3	-	14/21
R	EG7.11.5069	.	.	.	.	SUPPORT, seal	1	-	14/22
R	A25/2C	.	.	.	.	BOLT, 2 BA	44	-	14/23
R	A25/3C	.	.	.	.	BOLT, 2 BA	7	-	14/24
R	EEAS1/1C	.	.	.	.	BOLT, 2 BA	2	-	14/25

## BOMB BAY PACK

## BOMB BAY PACK INSTALLATION

Part Number	Description	No. Off	Matl. Spec.	Plate No.
R	—	—	—	15/1
R	EG7.11.5265	1	—	15/2
R	EG7.11.5289	1	1.2 mm - L165	15/3
R	AGS2012/C/11	5	—	15/4
R	EG7.11.5267	1	—	15/5
R	EG7.11.5291	1	1.2 mm - L165	15/6
R	AGS2012/C/11	5	—	15/7
R	EG7.11.5269	1	EEDX327	15/8
R	EG7.11.5271	1	EEDX327	15/9
R	EG7.11.5273	1	EEDX327	15/10
R	EG7.11.5275	1	EEDX327	15/11
R	EG7.11.5277	1	1.2 mm - L165	15/12
R	EG7.11.5279	1	1.2 mm - L165	15/13
R	EG7.11.5299	1	EEDX326	15/14
R	EG7.11.5301	1	EEDX327	15/15
R	A25/1C	10	—	15/16
R	A25/3C	5	—	15/17
R	EG7.11.5285	1	1.6 mm - L165	15/18
R	EG7.11.5287	1	2.5 mm - L165	15/19
R	EG7.11.5251	1	—	15/20
R	EG7.11.5253	1	1.2 mm - S515	15/21
R	EG7.11.5255	1	1.2 mm - S515	15/22
R	EG7.11.5257	1	1.2 mm - S515	15/23
R	EG7.11.5259	1	1.2 mm - S515	15/24
R	EG7.11.5261	1	1.2 mm - S515	15/25
R	EG7.11.5263	4	1.2 mm - S515	15/26
R	AGS2012/C/11	5	—	15/27
R	LN29983/06	2	—	15/28
R	EG7.11.5297	1	—	15/29
R	EG7.11.5347	1	—	15/30
R	PAN5505/C/ 201426T	2	—	15/31
R	SP122/D	15	—	15/32
R	AGS2001/C/1/66	2	—	14/26
R	AGS2007/C/1	29	—	14/27
R	AGS2008/C/1	16	—	14/28
R	AGS2002/C/2	6	—	14/29
R	EG7.11.5049	1	—	14/30
R	EG7.11.5305	4	1.2 mm - L164	14/31
R	EG7.11.5037	1	1.2 mm - L164	14/32
R	EG7.11.5055	1	1.2 mm - L164	14/33
R	SP124/C	35	—	14/34
R	SP122/D	2	—	14/35

BOMB BAY PACK  
BOMB BAY PACK INSTALLATION

Part Number	1 2 3 4 5 6	Description	No. Off	Matl. Spec.	Plate No.
R	-	. . . . . INSTALLATION OF EXHAUST DUCT COWL (EG7.11.5351) (Mod.5466) Spares for:-	-	-	19/1
R	AS1248/4C	. . . . . BOLT, 2 BA, mushroom hd.	14	-	19/2
R	EG7.11.5365	. . . . . COWL, assembly	1	-	19/3
R	EG7.11.5353	. . . . . NUTPLATE, assembly Spares for:-	1	-	19/4
R	AGS2008C1	. . . . . NUT, anchor, 2 BA	5	-	19/5
R	AGS2019C1	. . . . . NUT, anchor, 2 BA	1	-	19/6
R	EG7.11.5361	. . . . . PLATE	1	-	19/7
R	EG7.11.5355	. . . . . NUTPLATE, assembly Spares for:-	1	-	19/8
R	AGS2008C1	. . . . . NUT, anchor, 2 BA	5	-	19/9
R	EG7.11.5359	. . . . . PLATE	1	-	19/10
R	EG7.11.5357	. . . . . NUTPLATE, assembly Spares for:-	1	-	19/11
R	AGS2008C1	. . . . . NUT, anchor, 2 BA	3	-	19/12
R	EG7.11.5363	. . . . . PLATE	1	-	19/13

## BOMB BAY PACK

## BOMB BAY PACK INSTALLATION

Part Number	Description	No. Off	Matl. Spec.	Plate No.
R EG7.11.1229	. . . BRACKET, DUMMY STOWAGE, FORWARD PACK, STARBOARD ASSEMBLY (Pre Mod 5466) Spares for:--	1	L72	5/31
R EG7.11.1263	. . . . ANGLE	1	L72	5/20
R EG7.11.1259	. . . . BRACKET	1	EEDX243	5/9
R EG7.11.1261	. . . . BRACKET	1	EEDX284	5/23
R TYPE 382	. . . . COUPLING, quick release, size 16	1	-	5/19
R EG7.11.1235	. . . BRACKET, DUMMY STOWAGE, FORWARD PACK, PORT ASSEMBLY (Pre Mod 5466) Spares for:--	1	L72	5/21
R EG7.11.1263	. . . . ANGLE	2	L72	5/3
R EG7.11.1257	. . . . BRACKET	2	EEDX243	5/1
R EG7.11.1261	. . . . BRACKET	2	EEDX284	5/17
R TYPE 382	. . . . COUPLING, quick release, size 16	2	-	5/2
R EG7.11.1241	. . . BRACKET, DUMMY STOWAGE, AFT PACK, STARBOARD ASSEMBLY (Pre Mod 5466) Spares for:--	1	L71	5/32
EG7.11.1263	. . . . ANGLE	1	L72	5/20
EG7.11.1259	. . . . BRACKET	1	EEDX243	5/9
EG7.11.1261	. . . . BRACKET	1	EEDX284	5/23
TYPE 382	. . . . COUPLING, quick release, size 16	1	-	5/19
R EG7.11.1247	. . . BRACKET, DUMMY STOWAGE, AFT PACK, PORT ASSEMBLY (Pre Mod 5466) Spares for:--	1	L72	5/22
EG7.11.1263	. . . . ANGLE	2	L72	5/3
EG7.11.1257	. . . . BRACKET	2	EEDX243	5/1
EG7.11.1261	. . . . BRACKET	2	EEDX284	5/17
TYPE 382	. . . . COUPLING, quick release, size 16	2	-	5/2
	Attaching parts for EG7.11.1229, 1235, 1241, 1247:--			
R A25/2C	. . . Bolt, 2 BA hex. head (Pre Mod 5466)	4	-	5/7
R SP13/C	. . . Washer, 2 BA plain (Pre Mod 5466)	4	-	5/8
R EG7.82.919	. . . LABEL, "RECEIVER ARI.23165" (Pre Mod 5466)	2	-	5/11
EG7.82.925	. . . LABEL, "No.6 LIQUID COOLER ARI.23166"	1	-	5/15
EG7.82.927	. . . LABEL, "No.10 LIQUID COOLER ARI.23166"	1	-	5/4
R EG7.82.929	. . . LABEL, "No.11, GENERATOR ARI.23165" (Pre Mod 5466)	1	-	5/12
EG7.82.931	. . . LABEL, "No.8, TRANSMITTER ARI.23166"	1	-	5/14
R EG7.82.935	. . . LABEL, "No.4, POWER SUPPLY ARI.23165" (Pre Mod 5466)	1	-	5/16
EG7.82.939	. . . LABEL	1	-	5/13
EG7.82.941	. . . LABEL, "No.5, LIQUID COOLER, ARI.23166" or "POWER SUPPLY ARI.23167"	1	-	5/26
EG7.82.943	. . . LABEL, "No.7, TRANSMITTER ARI.23166" or "TRANSMITTER ARI.23167"	1	-	5/24
R EG7.82.945	. . . LABEL, "No.12, POWER SUPPLY ARI.23165" (Pre Mod 5466)	1	-	5/5
R EG7.82.947	. . . LABEL, "No.13, GENERATOR ARI.23165" (Pre Mod 5466)	1	-	5/27
R EG7.82.949	. . . LABEL, "No.14, TRANSMITTER ARI.23165" (Pre Mod 5466)	1	-	5/6
R EG7.82.951	. . . LABEL, "No.2, TRANSMITTER ARI.23165" (Pre Mod 5466)	1	-	5/18
R EG7.82.953	. . . LABEL, "No.1, TRANSMITTER ARI.18207" (Pre Mod 5466)	1	-	5/29
R EG7.82.955	. . . LABEL, "No.13, TRANSMITTER ARI.18207" (Pre Mod 5466)	1	-	5/10
EG7.82.995	. . . LABEL, "WARNING", CONNECTOR CR5	1	-	5/25

## BOMB BAY PACK

## BOMB BAY PACK INSTALLATION

Part Number	Description	No. Off	Matl. Spec.	Plate No.
EG7.11.17	STRUCTURE, FORWARD PACK, ASSEMBLY Spares for:—	1	—	6/16
EG7.11.131	FITTING, eye end, connecting aft pack, at main frame "B" Attaching parts for EG7.11.131:—	2	S95	6/3
A59/12E	Bolt, 1/4" BSF hex. head	9	—	6/2
AGS2001/E/1	Nut, stiff, 1/4" BSF	9	—	6/8
SP13/E	Washer, 1/4" BSF plain	9	—	6/9
—	FRAME A, MAIN, ASSEMBLY (EG7.11.27) Spares for:—	—	—	6/35
A25/8J	BOLT, 3/8" BSF hex. head, pulley axis	1	—	6/12
EG7.11.121	BRACKET, machined, link, connecting Attaching parts for EG7.11.121:—	2	L65	6/4
A59/23E	Bolt, 1/4" BSF hex. head	3	—	6/7
AGS2002/E/1	Nut, stiff, 1/4" BSF	3	—	6/10
SP13/E	Washer, 1/4" BSF plain	3	—	6/13
EG7.11.1315	BRACKET, pulley (Make from EEDX90 Ref. 26FZ/7046)	1	L65	6/5
EG7.11.1316	BRACKET, pulley (Make from EEDX90 Ref. 26FZ/7046)	1	L65	6/1
EG7.11.97	CHANNEL, support	2	L73	6/28
EG7.11.99	CHANNEL, support	1	L73	6/32
EG7.11.105	CHANNEL, support	2	L73	6/25
EG7.11.109	CHANNEL, support	2	L73	6/24
EG7.11.111	CHANNEL, support	2	L73	6/22
EG7.11.127	CHANNEL, support	2	L73	6/27
EG7.11.1349	CHANNEL, support	2	L73	6/30
EG7.11.325	GUSSET	2	L73	6/26
EG7.11.326	GUSSET	2	L73	6/29
EG7.11.327	PACKING	4	L72	6/18
SP90/C7	PIN, split	1	—	6/6
AS103	PULLEY, bearing	1	—	6/11
EEAS28/16/GU	WASHER, for pulley bolt	2	S515	6/21
—	FRAME B, MAIN, ASSEMBLY (EG7.11.29) Spares for:—	—	—	6/23
EG7.11.123	BRACKET, machined Attaching parts for EG7.11.123:—	2	L65	6/37
A59/23E	Bolt, 1/4" BSF hex. head	5	—	6/36
AGS2002/E/1	Nut, stiff, 1/4" BSF	5	—	6/33
SP13/E	Washer, 1/4" BSF plain	5	—	6/34
EG7.11.97	CHANNEL, support	2	L73	6/19
EG7.11.99	CHANNEL, support	2	L73	6/31

## BOMB BAY PACK

## BOMB BAY PACK INSTALLATION

Part Number	1 2 3 4 5 6	Description	No. Off	Mati. Spec.	Plate No.
EG7.11.111		CHANNEL, support	2	L73	6/20
EG7.11.115		CHANNEL, support	2	L73	6/17
EG7.11.127		CHANNEL, support	2	L73	6/14
EG7.11.471		CHANNEL, support	2	L73	6/15
-		LONGERON, UPPER, FORWARD PACK, PORT, ASSEMBLY (EG7.11.37)	-	-	7/9
		Spares for:-			
EG7.11.333		ANGLE	1	L73	7/7
EG7.11.335		ANGLE	1	L73	7/4
EG7.11.341		ANGLE	1	L73	7/10
EG7.11.941		PACKING	1	L72	7/3
-		LONGERON, UPPER, FORWARD PACK, STARBOARD, ASSEMBLY (EG7.11.38)	-	-	7/15
		Spares for:-			
EG7.11.342		ANGLE	1	L73	7/19
EG7.11.795		ANGLE	1	L73	7/16
EG7.11.797		ANGLE	1	L73	7/14
EG7.11.941		PACKING	1	-	7/18
A415		PIN, "pip", quick release, equipment trays locating (Pre Mod 5466)	16	-	2/39
A415		PIN, pip (Mod 5466)	12	-	
-		SKINNING, FORWARD PACK, ASSEMBLY (EG7.11.57)	-	-	7/27
		Spares for:-			
EG7.11.161		ANGLE	4	EEDX238	7/5
EG7.11.691		DOUBLER, main, forward pack	1	L73	7/38
EG7.11.695		DOUBLER, centre beam, forward	1	L73	7/28
EG7.11.735		PACKING, frame "A"	2	L73	7/30
EG7.11.737		PACKING, frame "B"	2	L73	7/21
EG7.11.741		PACKING, sub-frame	2	L73	7/25
EG7.11.987		PACKING, seal, frame "A"	1	L73	7/36
EEAS8/1D		PLATE, packing, anchor nut	4	L72	7/26
EEAS8/1F		PLATE, packing, anchor nut	28	L72	7/24
EG7.11.723		SKIN, forward pack	1	L73	7/33
EG7.11.727		SKIN, frame "A", port	1	L73	7/12
EG7.11.728		SKIN, frame "A", starboard	1	L73	7/22
EG7.11.729		SKIN, frame "B", port	1	L73	7/20
EG7.11.730		SKIN, frame "B", starboard	1	L73	7/23
EG7.11.687		STRIP, sealing, approx. 70" long (Make from Ref. 4431)	2	Synthetic Rubber	7/11
		Attaching parts for EG7.11.687:-			
AGS2002/B/1		Nut, stiff, 4 BA	25	-	7/8
A33/B16		Screw, 4 BA, c'sk head (10 off at frame "A")	25	-	7/1
A33/B18		Screw, 4 BA c'sk head (at frame "A" only)	14	-	7/2
SP13/B		Washer, 4 BA plain	25	-	7/6

## BOMB BAY PACK

## BOMB BAY PACK INSTALLATION

Part Number	1 2 3 4 5 6	Description	No. Off	Matl. Spec.	Plate No.
EG7.11.669		STRIP, capping, frame "A", centre	1	EEJ331	7/34
EG7.11.671		STRIP, capping, frame "A", port	1	EEJ331	7/37
EG7.11.672		STRIP, capping, frame "A", starboard	1	EEJ331	7/32
EG7.11.673		STRIP, capping, frame "A", port	1	EEJ331	7/35
EG7.11.674		STRIP, capping, frame "A", starboard	1	EEJ331	7/31
EG7.11.675		STRIP, capping, frame "A", port	1	EEJ331	7/13
EG7.11.676		STRIP, capping, frame "A", starboard	1	EEJ331	7/29
EG7.11.689		STRIP, seal retaining, main frame "B"	1	L73	7/17
EG7.11.19		STRUCTURE, AFT PACK, ASSEMBLY (Pre Mod 5466)	1	-	8/12
		Spares for:-			
EG7.11.133		FITTING, fork-end, attachment to forward pack, frame "C", port	1	S95	8/30
EG7.11.135		FITTING, fork-end, attachment to forward pack, frame "C", starboard	1	S95	8/31
		Attaching parts for EG7.11.133, 135:-			
A59/12E		Bolt, 1/4" BSF hex. head	9	-	8/33
AGS2001/E/1		Nut, stiff, 1/4" BSF	9	-	8/28
SP13/E		Washer, 1/4" BSF plain	9	-	8/29
EG7.11.499		FITTING, centre stay pick-up Attaching parts for EG7.11.499:-	1	L65	2/28
A59/5E		Bolt, 1/4" BSF hex. head	5	-	2/23
SP13/E		Washer, 1/4" BSF plain	5	-	2/24
-		FRAME "C", MAIN, ASSEMBLY (EG7.11.31)	-	-	8/16
		Spares for:-			
EG7.11.97		CHANNEL, support	2	L73	8/24
EG7.11.99		CHANNEL, support	2	L73	8/32
EG7.11.111		CHANNEL, support	2	L73	8/23
EG7.11.127		CHANNEL, support	2	L73	8/22
EG7.11.471		CHANNEL, support	2	L73	8/18
EG7.11.481		CHANNEL, support	2	L73	8/21
-		FRAME "D", MAIN, ASSEMBLY (EG7.11.33)	-	-	8/10
		Spares for:-			
EG7.11.121		BRACKET, machined, link connecting Attaching parts for EG7.11.121:-	2	L65	8/1
A59/23E		Bolt, 1/4" BSF hex. head	3	-	8/4
AGS2002/E/1		Nut, stiff, 1/4" BSF	3	-	8/2
SP13/E		Washer, 1/4" BSF plain	3	-	8/3
EG7.11.153		CHANNEL, support	1	L73	8/14
EG7.11.154		CHANNEL, support	1	L73	8/13
EG7.11.155		CHANNEL, support	2	L73	8/27
EG7.11.157		CHANNEL, support	1	L73	8/26
EG7.11.158		CHANNEL, support	1	L73	8/20
EG7.11.159		CHANNEL, support	2	L73	8/19
EG7.11.959		CHANNEL, support	2	L73	8/7

## BOMB BAY PACK

## BOMB BAY PACK INSTALLATION

Part Number	1 2 3 4 5 6	Description	No. Off	Matl. Spec.	Plate No.
EG7.11.961	. . . . .	DOUBLER	2	L73	8/5
EG7.11.349	. . . . .	GUSSET	2	L73	8/11
EG7.11.350	. . . . .	GUSSET	1	L73	8/17
EG7.11.327	. . . . .	PACKING	4	L72	8/9
EG7.11.699	. . . . .	PACKING, tapered	1	L65	8/25
EG7.11.700	. . . . .	PACKING, tapered	1	L65	8/6
EG7.11.939	. . . . .	PACKING, tapered	1	L65	8/15
EG7.11.940	. . . . .	PACKING, tapered	1	L65	8/8
-	. . . . .	LONGERON, UPPER, AFT PACK, PORT, ASSEMBLY (EG7.11.39) Spares for:-	-	-	9/18
EG7.11.337	. . . . .	ANGLE	1	L73	9/17
EG7.11.339	. . . . .	ANGLE	1	L73	9/10
EG7.11.343	. . . . .	ANGLE	1	L73	9/9
EG7.11.941	. . . . .	PACKING	1	L72	9/20
-	. . . . .	LONGERON, UPPER, AFT PACK, STARBOARD, ASSEMBLY (EG7.11.40) Spares for:-	-	-	9/26
EG7.11.340	. . . . .	ANGLE	1	L73	9/22
EG7.11.344	. . . . .	ANGLE	1	L73	9/31
EG7.11.799	. . . . .	ANGLE	1	L73	9/30
EG7.11.941	. . . . .	PACKING	1	L72	9/2
A415	. . . . .	PIN, "pip", quick release, equipment trays locating	12	-	C2/39
-	. . . . .	SKINNING, AFT PACK, ASSEMBLY (EG7.11.57) Spares for:-	-	-	9/36
EG7.11.161	. . . . .	ANGLE	2	EEDX238	9/6
EG7.11.163	. . . . .	ANGLE	2	EEDX238	9/23
EG7.11.693	. . . . .	DOUBLER, main, aft pack	1	L73	9/44
EG7.11.697	. . . . .	DOUBLER, centre beam aft	1	L73	9/45
EG7.11.737	. . . . .	PACKING, frame "C"	2	L73	9/39
EG7.11.739	. . . . .	PACKING, frame "D", port	1	L73	9/32
EG7.11.740	. . . . .	PACKING, frame "D", starboard	1	L73	9/34
EG7.11.741	. . . . .	PACKING, sub-frame	2	L73	9/38
EG7.11.847	. . . . .	PACKING, seal, frame "D"	1	L73	9/19
EEAS8/1F	. . . . .	PLATE, packing, amber nut	14	L72	9/43
EG7.11.725	. . . . .	SKIN, aft pack	1	L73	9/40
EG7.11.729	. . . . .	SKIN, frame "C", starboard	1	L73	9/37
EG7.11.730	. . . . .	SKIN, frame "C", port	1	L73	9/27
EG7.11.733	. . . . .	SKIN, frame "D", port	1	L73	9/21
EG7.11.734	. . . . .	SKIN, frame "D", starboard	1	L73	9/35

## BOMB BAY PACK

## BOMB BAY PACK INSTALLATION

Part Number	1 2 3 4 5 6	Description	No. Off	Matl. Spec.	Plate No.
EG7.11.167		STRIP, sealing, 1.30" long (Make from EEAS123 Ref. 4431)	2	Synthetic Rubber	9/16
		Attaching parts for EG7.11.167:—			
A25/1B		Bolt, 4 BA hex. head	2	—	9/13
AGS2002/B/1		Nut, stiff, 4 BA	2	—	9/15
SP13/E		Washer, 4 BA plain	2	—	9/14
EG7.11.685		STRIP, sealing, approx. 70" long (Make from EEAS123 Ref. 4431)	1	Synthetic Rubber	9/5
		Attaching parts for EG7.11.685:—			
AGS2002/B/1		Nut, stiff, 4 BA	24	—	9/12
A33/B16		Screw, 4 BA c'sk head	10	—	9/1
A33/B18		Screw, 4 BA c'sk head	14	—	9/4
SP13/B		Washer, 4 BA plain	24	—	9/11
EG7.11.687		STRIP, sealing, approx. 70" long (Make from EEAS123 Ref. 4431)	1	Synthetic Rubber	9/42
		Attaching parts for EG7.11.687:—			
AGS2002/B/1		Nut, stiff, 4 BA	25	—	9/12
A33/B16		Screw, 4 BA round head	25	—	9/1
SP13/B		Washer, 1/4" BSF plain	25	—	9/11
EG7.11.165		STRIP, seal retaining	2	L73	9/3
EG7.11.677		STRIP, capping, frame "D", centre	1	EEJ331	9/33
EG7.11.679		STRIP, capping, frame "D", port	1	EEJ331	9/28
EG7.11.680		STRIP, capping, frame "D", starboard	1	EEJ331	9/29
EG7.11.681		STRIP, capping, frame "D", port	1	EEJ331	9/24
EG7.11.682		STRIP, capping, frame "D", starboard	1	EEJ331	9/25
EG7.11.683		STRIP, capping, frame "D", port	1	EEJ331	9/7
EG7.11.684		STRIP, capping, frame "D", starboard	1	EEJ331	9/8
EG7.11.689		STRIP, seal retaining, frame "C"	1	L73	9/41
—		PANELS, ACCESS, ASSEMBLY (EG7.11.23) (Pre Mod 5466)	—	—	10/17
—		PANELS, ACCESS, ASSEMBLY (EG7.11.5243) (Mod 5466)	—	—	
		Spares for:—			
—		ANGLES, LANDING, ASSEMBLY (EG7.11.375)	—	—	10/13
		Spares for:—			
EG7.11.355		ANGLE, landing, forward, port	1	L73	10/32
EG7.11.357		ANGLE, landing, forward, starboard	1	L73	10/33
EG7.11.359		ANGLE, landing, aft, port, forward pack	1	L73	10/28
EG7.11.361		ANGLE, landing, aft, starboard, forward pack	1	L73	10/29
EG7.11.363		ANGLE, landing, forward, port, aft pack	1	L73	10/23
EG7.11.365		ANGLE, landing, forward, starboard, aft pack	1	L73	10/24
EG7.11.367		ANGLE, landing, aft, port	1	L73	10/6
EG7.11.369		ANGLE, landing, aft, starboard	1	L73	10/7
EG7.11.371		ANGLE, landing	3	L73	10/26
EG7.11.372		ANGLE, landing	3	L73	10/15
EG7.11.373		ANGLE, landing	1	L73	10/4

## BOMB BAY PACK

## BOMB BAY PACK INSTALLATION

Part Number	Description	No. Off	Mati. Spec.	Plate No.
EG7.11.374	ANGLE, landing	1	L73	10/3
EG7.11.351	BRACKET, fastener	18	L73	10/5
EG7.11.353	BRACKET, fastener	4	L73	10/8
EG7.11.761	BRACKET, fastener	3	L73	10/10
EG7.11.762	BRACKET, fastener	3	L72	10/11
EG7.11.437	PACKING	4	L73	10/2
EG7.11.407	PLATE, sealing, landing angles	16	L73	10/9
UTC/5 or URF/5	RECEPTACLE, dzus, panel mounting	264	-	10/1
R EG7.11.175	PANEL, ACCESS, FRAME "A" TO SUB-FRAME PORT AND STARBOARD, ASSEMBLY (Pre Mod 5466 Port side only)	2	-	10/34
R EG7.11.5237	PANEL, ACCESS, ASSEMBLY, PORT (Mod 5466) Spares for:-	1	-	11/24
R -	ALTS to access panel, assembly, port (EG7.11.5219) (Mod 5466) Spares for:-	-	-	
R EG7.11.5229	ANGLE, stiffener	1	-	11/25
R EG7.11.5225	DOUBLER, assembly Spares for:-	1	-	11/26
R EG7.11.5227	DOUBLER	1	16 SWG - L165	11/27
R S5/300	FASTENER, spring	8	-	11/28
R AS44445/J/600/J	LANYARD	1	-	11/29
R EG7.11.5221	PANEL, assembly Spares for:-	1	-	11/30
R EF5/40A	FASTENER	8	-	11/31
R EG7.11.5223	PANEL	1	-	11/32
UF5/T30	FASTENER, dzus	36	-	10/14
GH5/S	GROMMET, dzus	36	-	10/12
EG7.11.177	PANEL, ACCESS, FRAME "B" TO SUB-FRAME PORT AND STARBOARD, ASSEMBLY Spares for:-	2	-	10/20
UF5/T30	FASTENER, dzus	30	-	10/14
GH5/S	GROMMET, dzus	30	-	10/12
EG7.11.179	PANEL, ACCESS, FRAME "C" TO SUB-FRAME, PORT AND STARBOARD, ASSEMBLY Spares for:-	2	-	10/16
UF5/T30	FASTENER, dzus	30	-	10/14
GH5/S	GROMMET, dzus	30	-	10/12
EG7.11.181	PANEL, SUB-FRAME TO FRAME "D", PORT ASSEMBLY Spares for:-	1	-	10/18
UF5/T30	FASTENER, dzus	36	-	10/14
GH5/S	GROMMET, dzus	36	-	10/12
EG7.11.307	HOOD, outlet, assembly Attaching parts for EG7.11.307:-	1	L73	10/30
A25/1C	Bolt, 2 BA hex. head	4	-	10/25
A25/2C	Bolt, 2 BA hex. head	5	-	10/21
AS1248/1C	Bolt, 2 BA mushroom head	13	-	10/27
AS1248/2C	Bolt, 2 BA mushroom head	2	-	10/35
SP13/C	Washer, 2 BA plain	24	-	10/22

## BOMB BAY PACK

## BOMB BAY PACK INSTALLATION

Part Number	Description	No. Off	Matl. Spec.	Plate No.
EG7.11.182	. . . PANEL, ACCESS, SUB-FRAME TO FRAME "D", STARBOARD, ASSEMBLY Spares for:—	1	—	10/19
UF5/T30	. . . FASTENER, dzus	36	—	10/14
GH5/S	. . . GROMMET, dzus	36	—	10/12
EG7.11.308	. . . HOOD, outlet, assembly Attaching parts for EG7.11.308:—	1	L73	10/31
A25/1C	. . . Bolt, 2 BA hex. head	4	—	10/25
A25/2C	. . . Bolt, 2 BA hex. head	5	—	10/21
AS1248/1C	. . . Bolt, 2 BA mushroom head	13	—	10/27
AS1248/2C	. . . Bolt, 2 BA mushroom head	2	—	10/35
SP13/C	. . . Washer, 2 BA plain	24	—	10/22
EG7.11.1425	. SEAL, bomb bay pack to structure, 22'-3" long (Make from Ref. 4528)	2	Synthetic Rubber	2/29
EG7.11.1427	. SEAL, bomb bay pack to structure, 62" long (Make from Ref. 4528)	1	Synthetic Rubber	2/30
EG7.11.1429	. SEAL, bomb bay pack to structure, 51.5" long (Make from Ref. 4528) Attaching parts for EG7.11.1425, 1427 and 1429:—	1	Synthetic Rubber	2/31
AGS2001/B/1	. Nut, stiff, 4 BA	384	—	2/32
A33/B12	. Screw, 4 BA c'sk head	384	—	2/33

A.P.101B-0417-3A

## BOMB BAY PACK

## COOLING SYSTEM

Part Number	Description	No. Off	Matl. Spec.	Plate No.
-	G.A. OF COOLING SYSTEM (EG7.77.5065) (Mod 5466) Spares for:-	-	-	17/1
EG7.77.5051	. ADAPTER, bleed	1	-	17/2
A25/1E	. BOLT, 1/4" BSF	4	-	
A25/4C	. BOLT, 2 BA	3	-	
LN29943/06020	. BOLT	1	-	
LN29943/06011	. BOLT	1	-	
EG7.77.5041	. BUSH, threaded	1	-	17/3
754/1/36633/001	. CHAMBER, airtrap and bleed	1	-	17/4
AS4525/4	. CLIP, "P" Attaching parts:-	2	-	18/1
A25/1C	. Bolt, 2 BA	1	-	18/2
AGS2001/C/1/66	. Nut, stiff, 2 BA	1	-	18/3
SP124/D	. Washer	1	-	18/4
AS5418/11	. CLIP, "P" Attaching parts:-	12	-	18/5
A25/1C	. Bolt, 2 BA	1	-	18/6
SP124/D	. Washer	1	-	18/7
AS5418/11	. CLIP, "P" Attaching parts:-	1	-	18/8
A25/3C	. Bolt, 2 BA	1	-	18/9
AGS2001/C/1/66	. Nut, stiff, 2 BA	1	-	18/10
SP124/D	. Washer	1	-	18/11
AS5418/11	. CLIP, "P" Attaching parts:-	1	-	18/12
EEAS552/2	. Bobbin, 2 BA	1	-	18/13
A25/5C	. Bolt, 2 BA	1	-	18/14
SP124/D	. Washer	1	-	18/15
EG7.77.5033	. CONNECTOR, flanged Attaching parts:-	2	-	17/5
PAN3009/K/05/010	. Bolt	4	-	17/6
EG7.77.5035	. Gasket	1	-	17/7
LN9016/0510/K	. Washer	4	-	17/8
-	. Wire, lock	QR	DTD189	
HTE8459	. CONNECTIONS, ground assembly	1	-	17/9
EB6.75.379	. COUPLING, pipe	1	-	17/10
AE99653/K	. COUPLING, half, QR	1	-	17/11
AE99651/K	. COUPLING, half, QR	1	-	17/12
EG7.77.5047	. ELBOW, special	2	-	17/13
AS46739/06	. ELBOW	2	-	17/14
AS46739/14	. ELBOW	2	-	17/15
D3620/70A	. EXCHANGER, heat Attaching parts:-	1	-	18/16
LN29943/06020	. Bolt	3	-	18/17
LN9025/0610/K	. Washer	3	-	18/18

BOMB BAY PACK  
COOLING SYSTEM

Part Number	Description	No. Off	Matl. Spec.	Plate No.					
				1	2	3	4	5	6
EG7.11.5321	. FAIRLEAD Attaching parts:—	1	—						17/16
A25/3C	. Bolt, 2 BA	4	—						17/17
AGS2001C1/66	. Nut, stiff, 2 BA	4	—						17/18
SP124/D	. Washer	4	—						17/19
D89698	. FAN, Type 55 A0571 Attaching parts:—	1	—						18/19
LN29943/05/010	. Bolt	6	—						18/20
LN29931/M/5	. Nut	6	—						18/21
LN9025/0510/K	. Washer	6	—						18/22
R E29697	. GUARD, debris Attaching parts:—	1	—						18/23
LN29943/05/010	. Bolt	6	—						18/24
LN29931/M/5	. Nut	6	—						18/25
LN9025/0510/K	. Washer	7	—						18/26
R —	. LAGGING, temperature sensor adaptor unit (EG7.77.5063) Spares for:—	—	—						
R PAN8999-46	. . BARAFOAM, 6 mm thick	QR	—						
R SCOTCHN027-19MM	. . TAPE, Scotch 3/4" wide	QR	—						
AGS2097/B/6/C	. LEAD, bonding	1	—						18/27
AGS2097/C/9/C	. LEAD, bonding	2	—						18/28
AGS2097/C/12/C	. LEAD, bonding Attaching parts for leads:—	2	—						18/29
A25/1C	. Bolt, 2 BA	QR	—						18/30
AGS2001/C/1/66	. Nut, stiff, 2 BA	QR	—						18/31
SP124/D	. Washer	QR	—						18/32
EG7.77.5053	. LABEL	1	—						18/33
PAN4096	. NIPPLE, bleed	2	—						17/20
AS43026-06	. NIPPLE, blanking (Test flights only)	1	—						17/21
AGS2001/E/1/66	. NUT, stiff, 1/4" BSF	4	—						
A103/LT	. NUT, thin, plain	1	—						
PAN3056/M/06	. NUT	2	—						
EG7.77.5003	. PIPE, assembly	1	—						17/22
EG7.77.5005	. PIPE, assembly	1	—						17/23
EG7.77.5009	. PIPE, assembly Spares for:—	1	—						17/24
EG7.77.5046	. . PIECE, tee	1	—						17/25
EG7.77.5011	. PIPE, assembly Spares for:—	1	—						17/26
EG7.77.5043	. . ADAPTER, 4 way	1	—						17/27
EG7.77.5015	. PIPE, assembly Spares for:—	1	—						17/28
EG7.77.5045	. . PIECE, tee	1	—						17/29
EG7.77.5017	. PIPE, assembly Spares for:—	1	—						17/30
PAN4410/14	. . TEE	1	—						17/31
EG7.77.5021	. PIPE, assembly	1	—						17/32
EG7.77.5023	. PIPE, assembly Spares for:—	1	—						17/33
EG7.77.5039	. . ADAPTOR, special	1	—						17/34

A.P.101B-0417-3A

Page C17

## BOMB BAY PACK

## COOLING SYSTEM

Part Number	Description	No. Off	Mati. Spec.	Plate No.
R EG7.77.5025	. PIPE, assembly	1	-	17/35
R EG7.77.5027	. PIPE, assembly	1	-	17/36
R EG7.77.5029	. PIPE, assembly	1	-	17/37
R 568-1-25235-002	. PUMP	1	-	18/34
R B01A301288A	. RESERVOIR	1	-	18/35
R HE60040/1	. SENSOR, temperature	1	-	18/36
R HE12769/1	. SWITCH, differential pressure	1	-	18/37
R EG7.77.5049	. TEE, special	1	-	17/38
R NRAV134/040	. VALVE, pressure relief	1	-	18/38
R AGS1186/F	. WASHER, sealing	2	-	17/39
R AGS567/B	. WASHER, jointing	1	-	17/40
R AGS567/CC	. WASHER, jointing	1	-	17/41
R AGS2035/L	. WASHER, shake proof	1	-	17/42
R SP15/E	. WASHER	4	-	

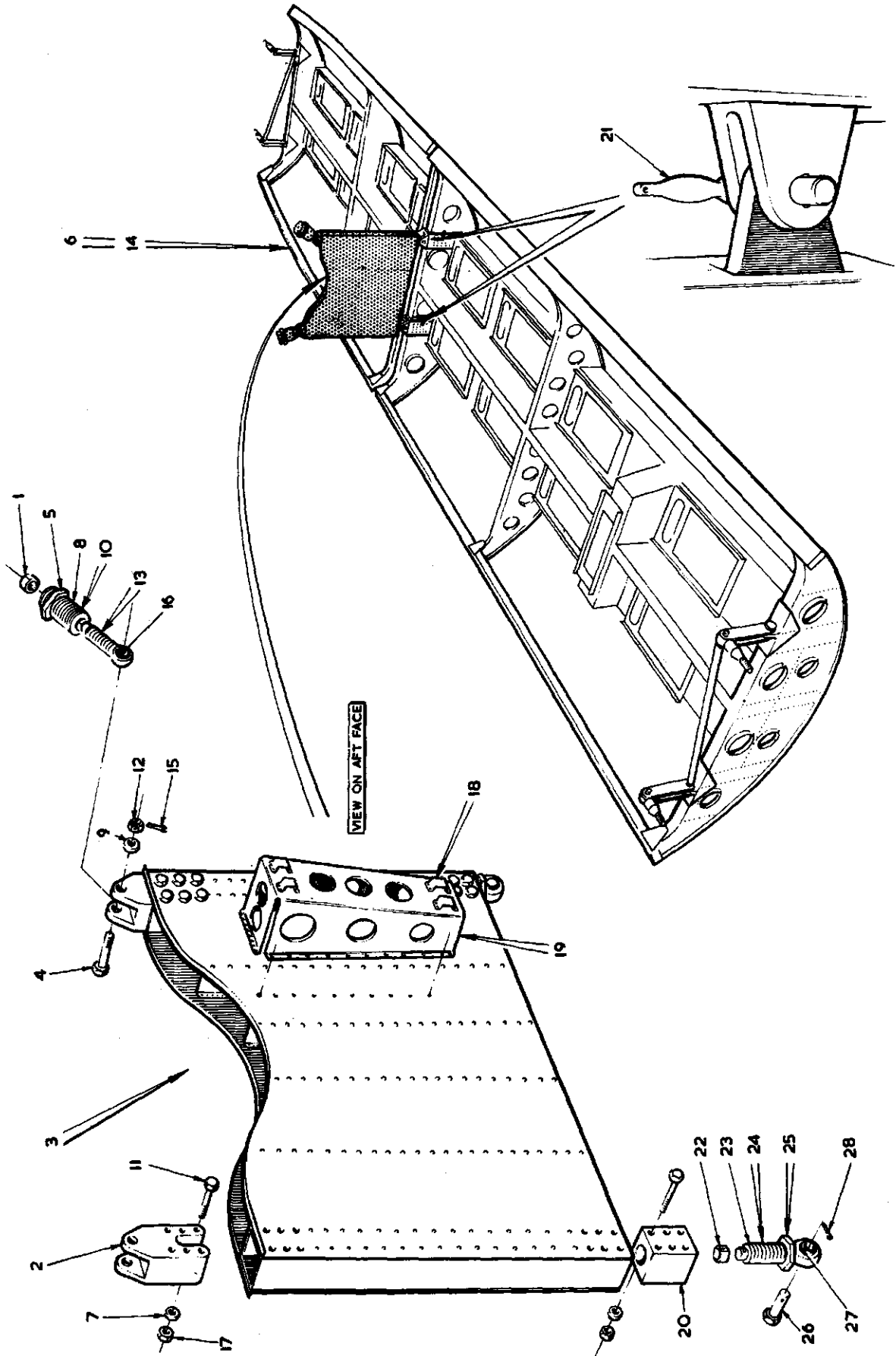


FIG 1. BOMB BAY PACK INSTALLATION  
Restricted

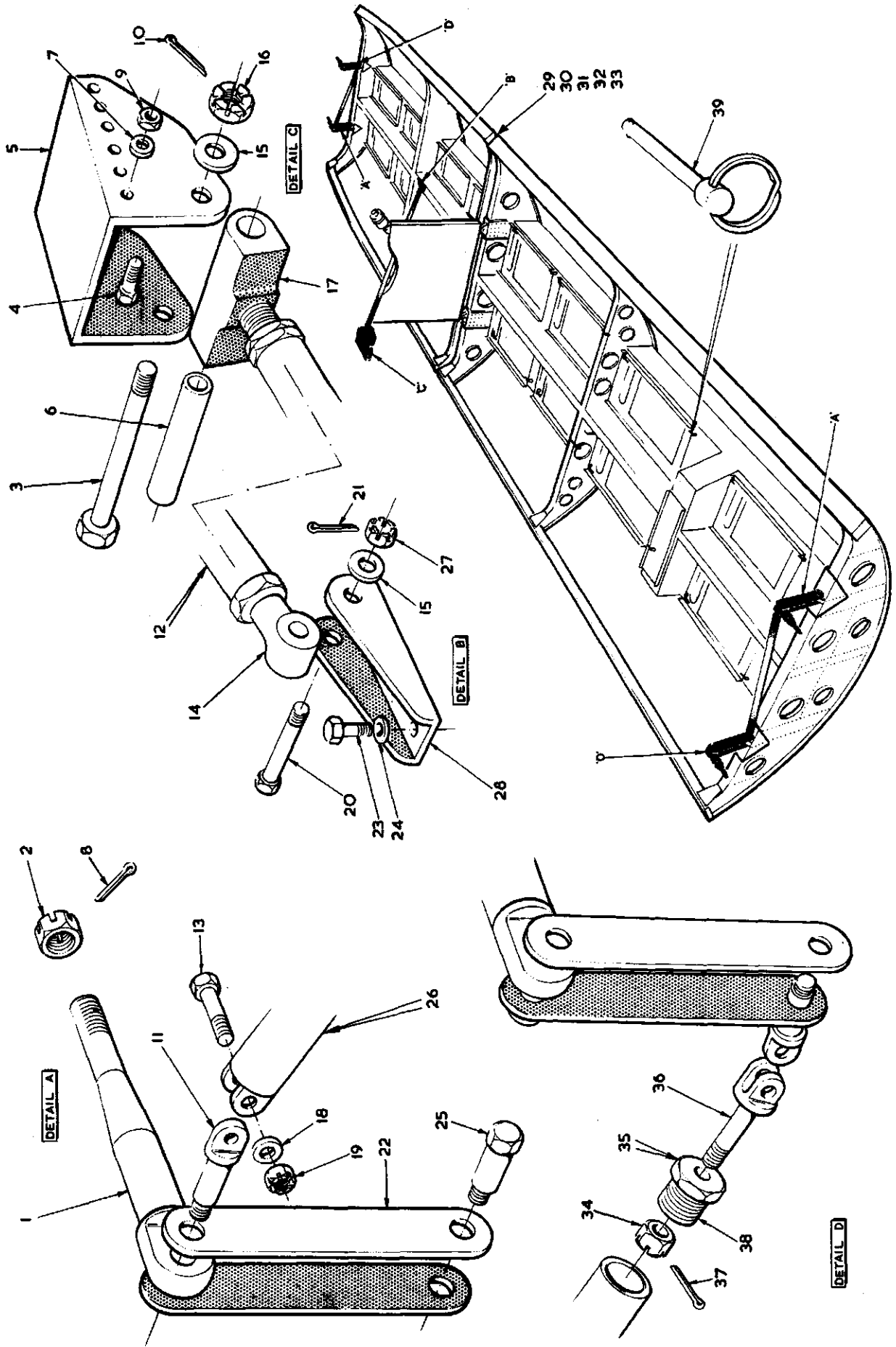


FIG 2. BOMB BAY PACK INSTALLATION  
Restricted

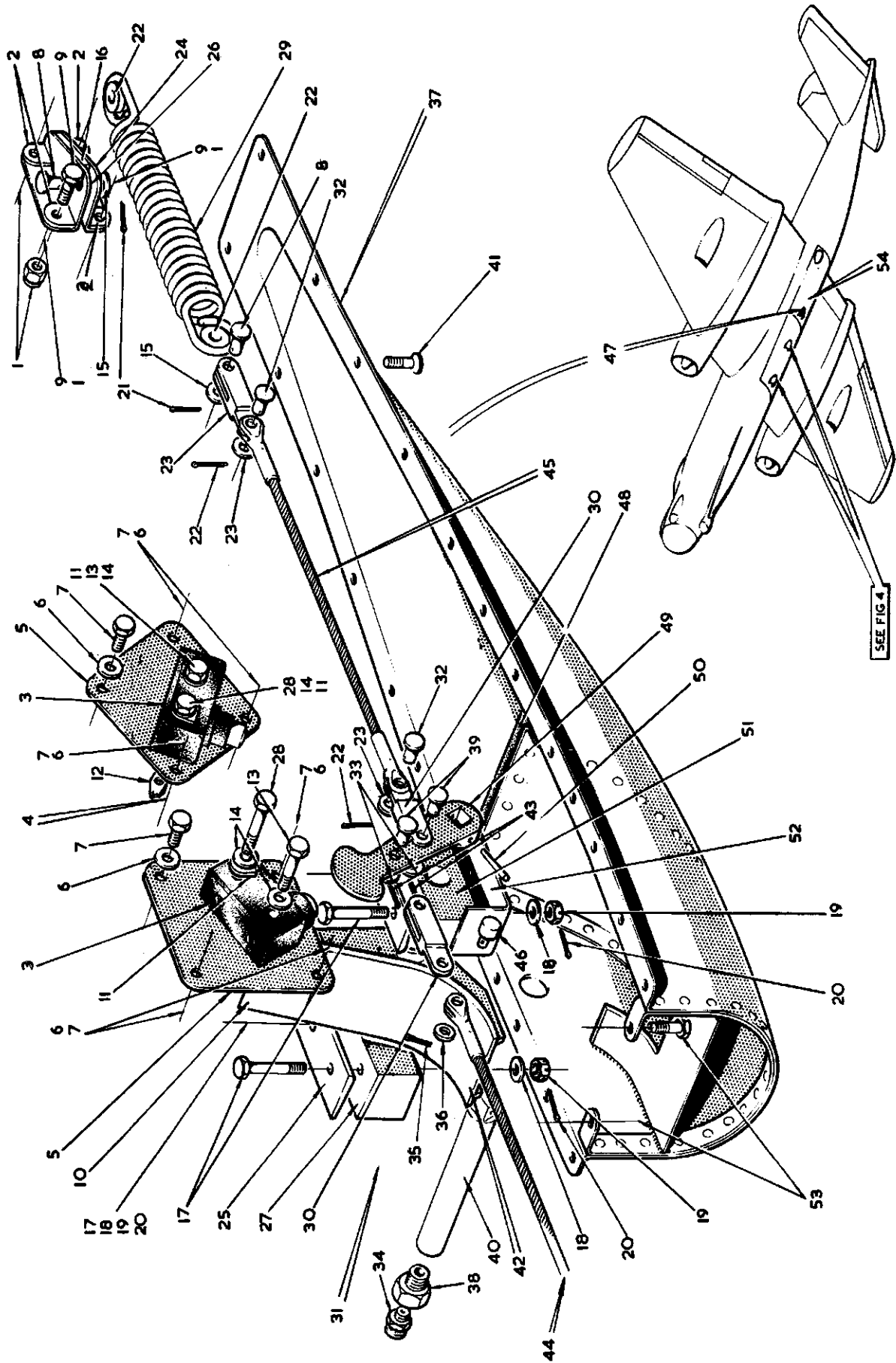


FIG.3 BOMB BAY PACK INSTALLATION  
Restricted

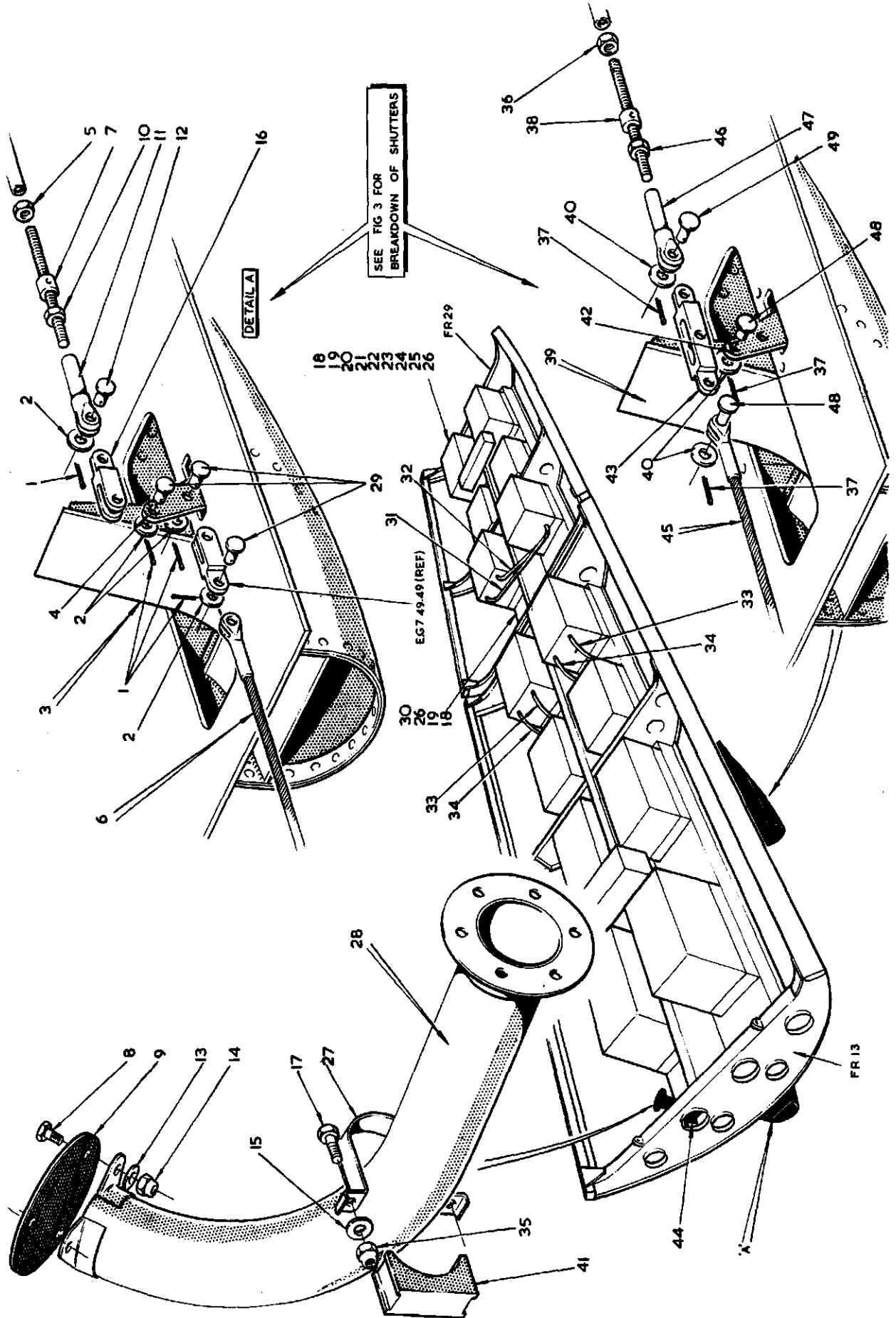


FIG 4. BOMB BAY PACK INSTALLATION  
Restricted

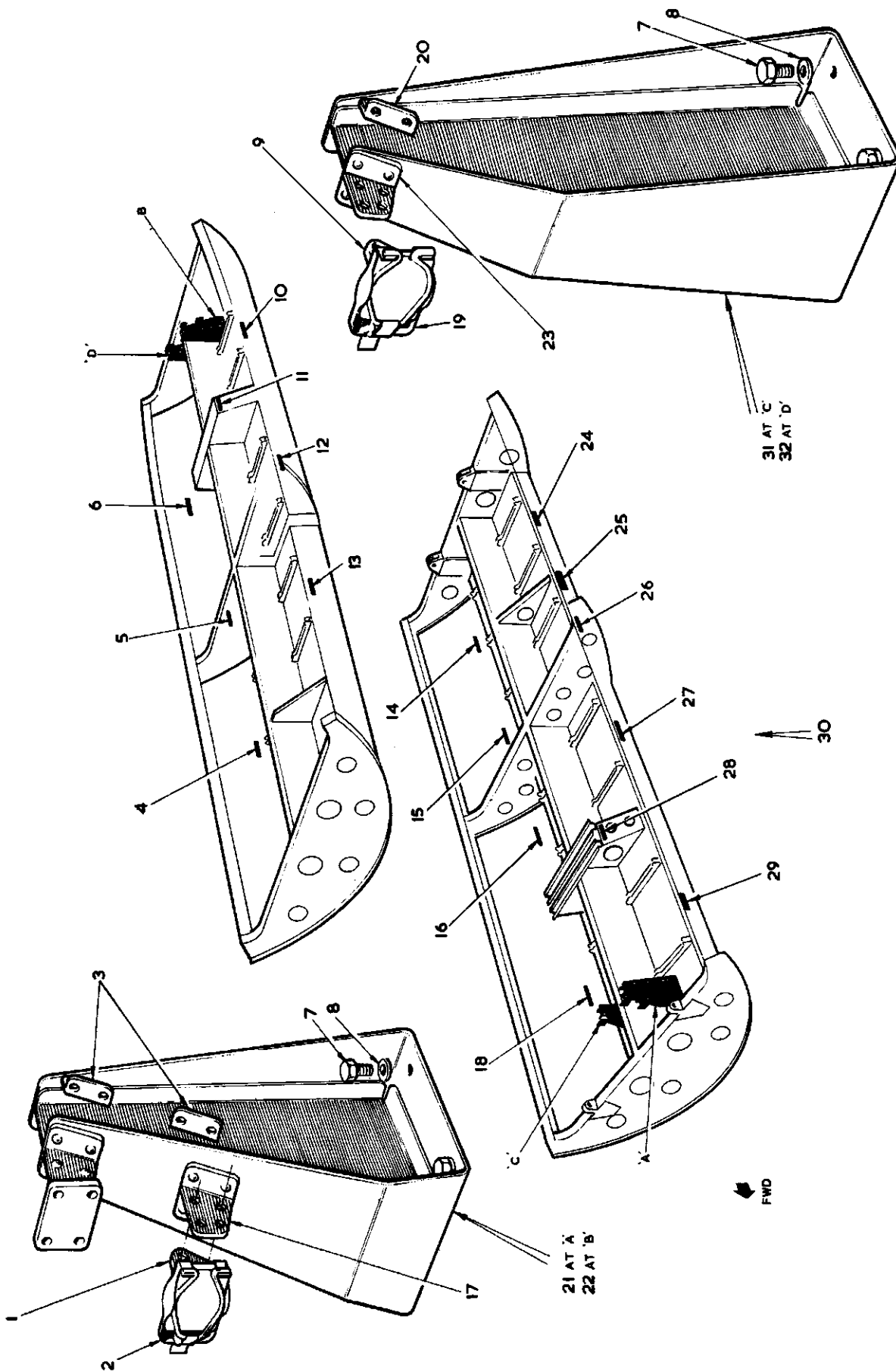


FIG 5. BOMB BAY PACK INSTALLATION  
Restricted

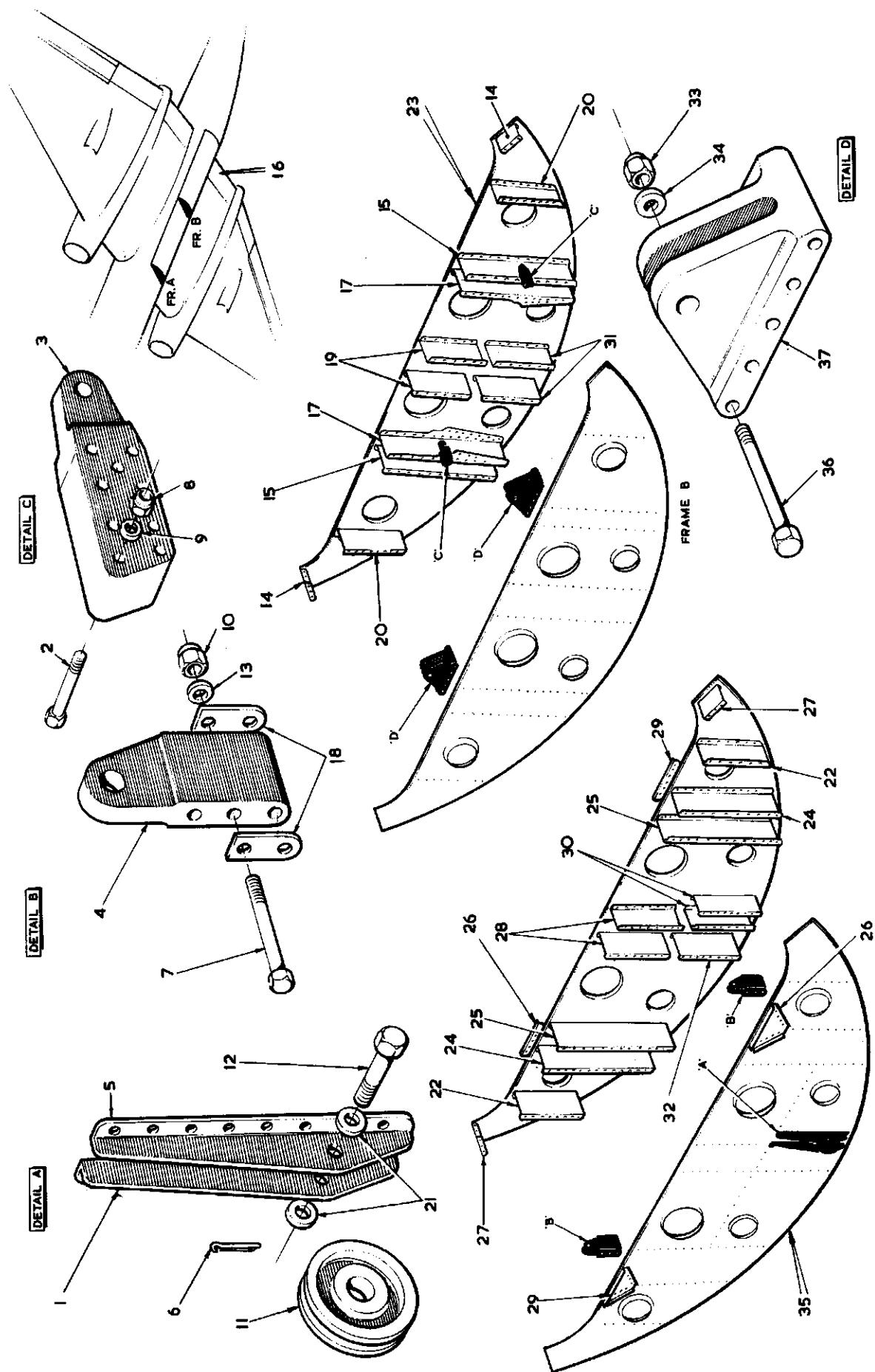


FIG.6 BOMB BAY PACK INSTALLATION

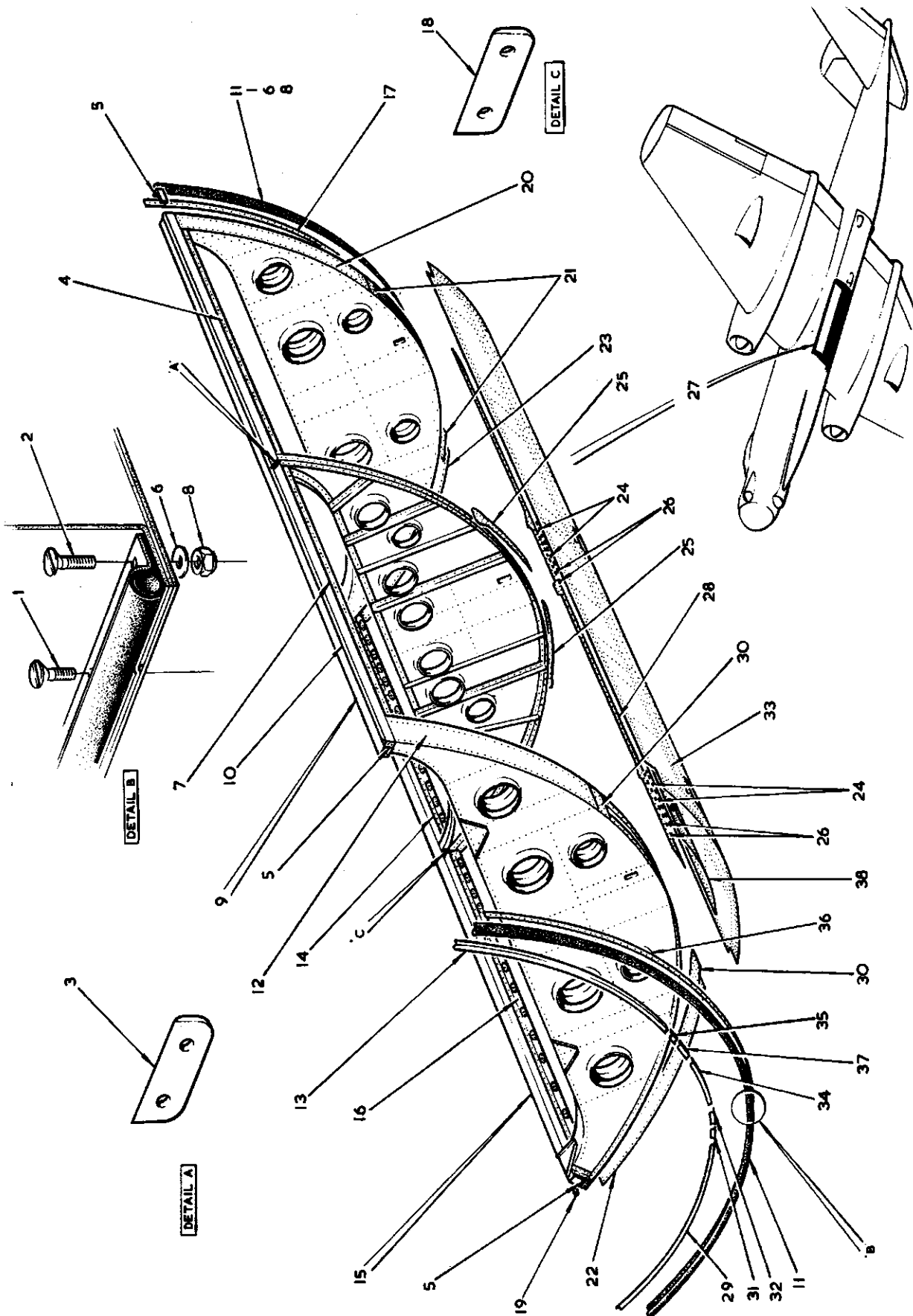


FIG7. BOMB BAY PACK INSTALLATION

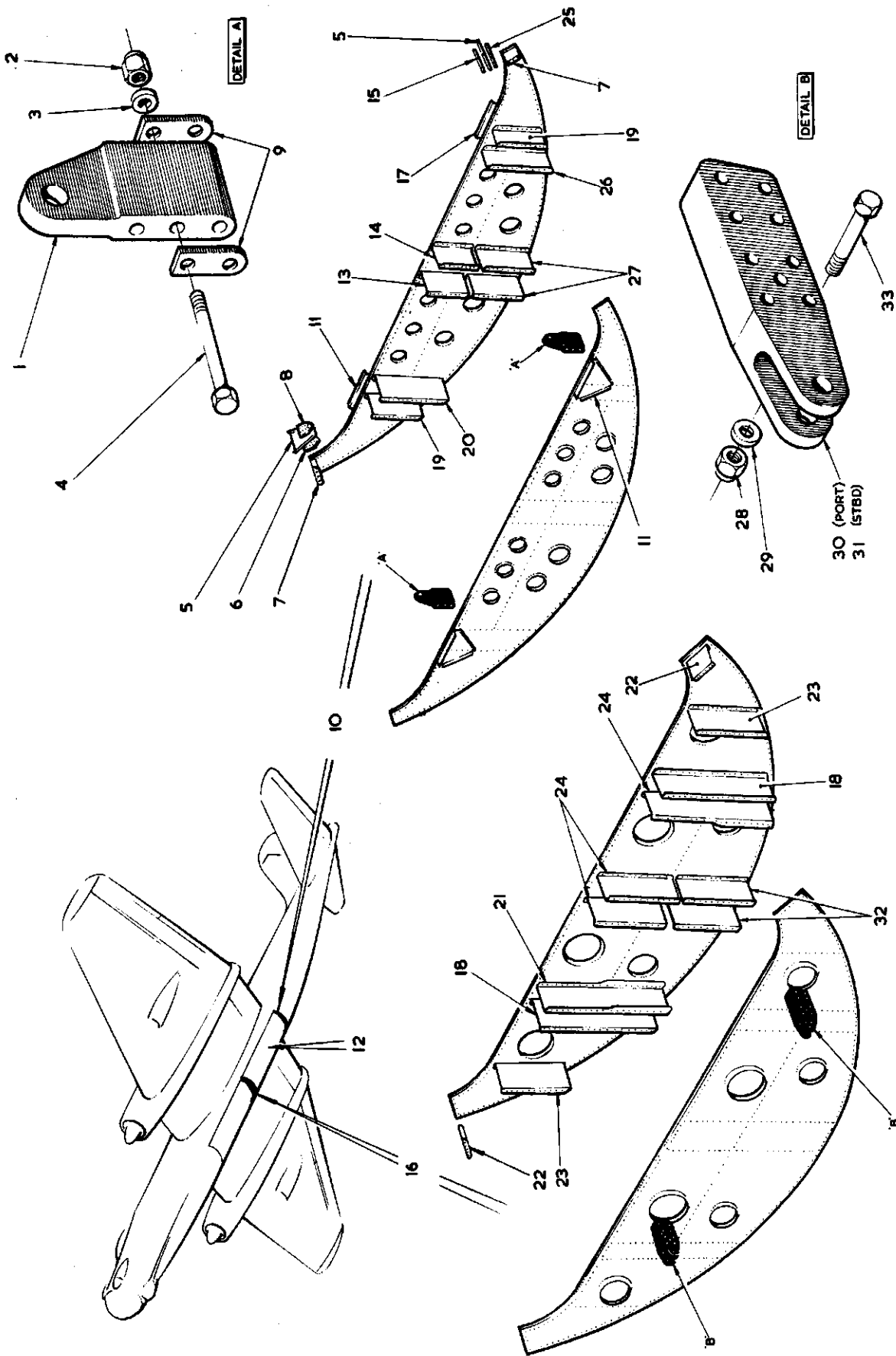


FIG 8. BOMB BAY BAY PACK INSTALLATION  
Restricted

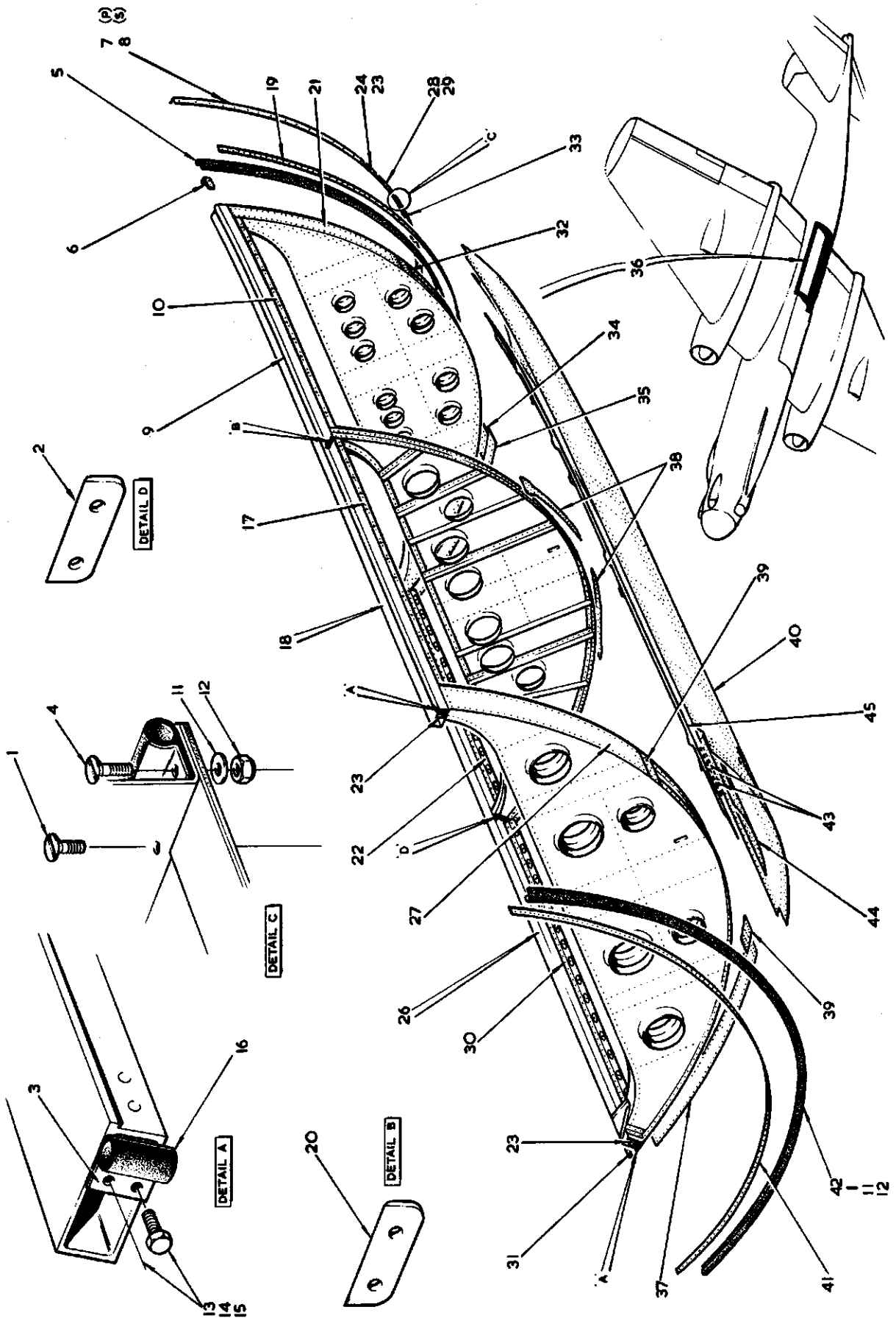
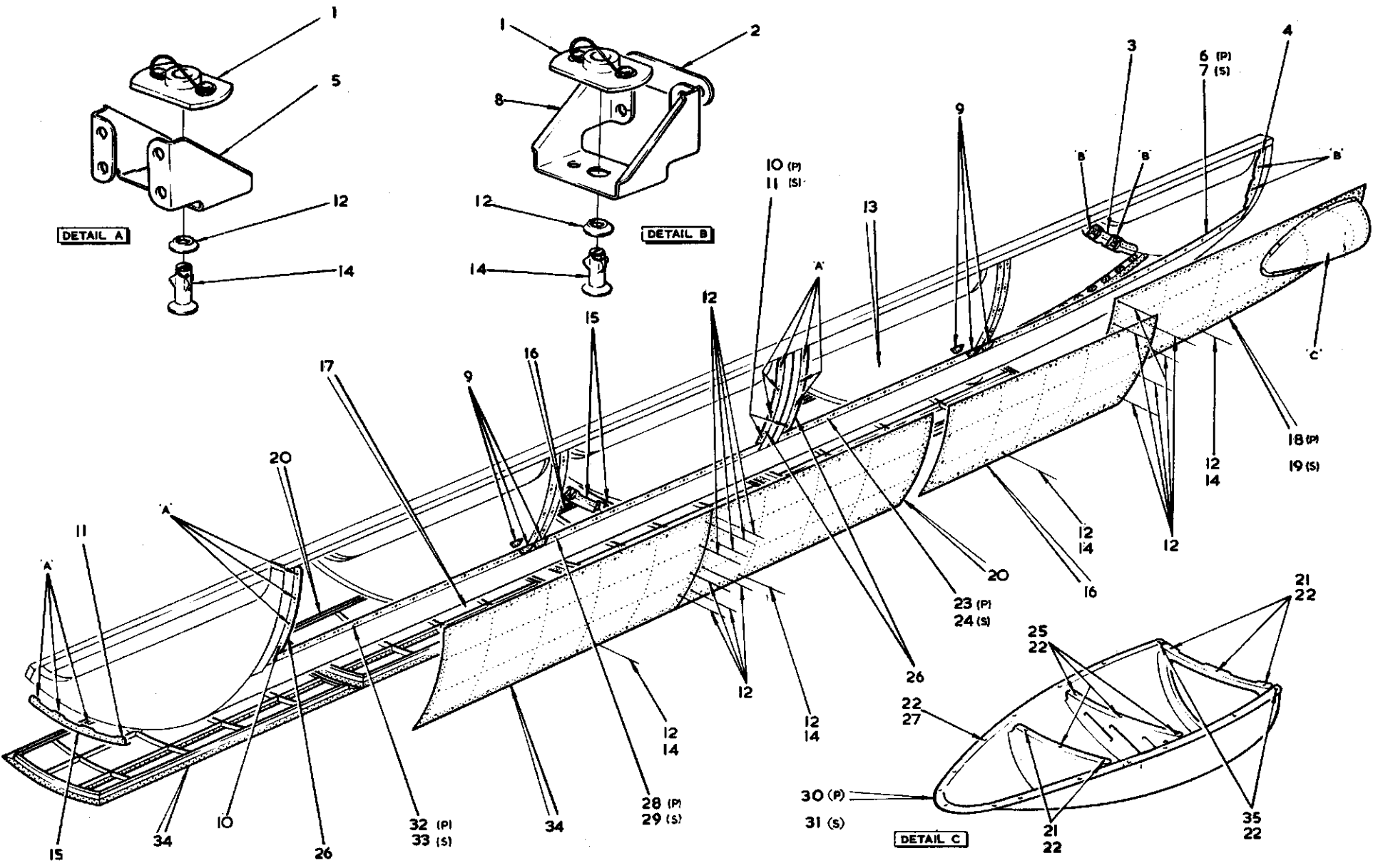


FIG.9 BOMB BAY PACK INSTALLATION  
Restricted

**FIG. 10 BOMB BAY PACK INSTALLATION**

Restricted



T.M.K. 17, SECT. C

Restricted

AL 8

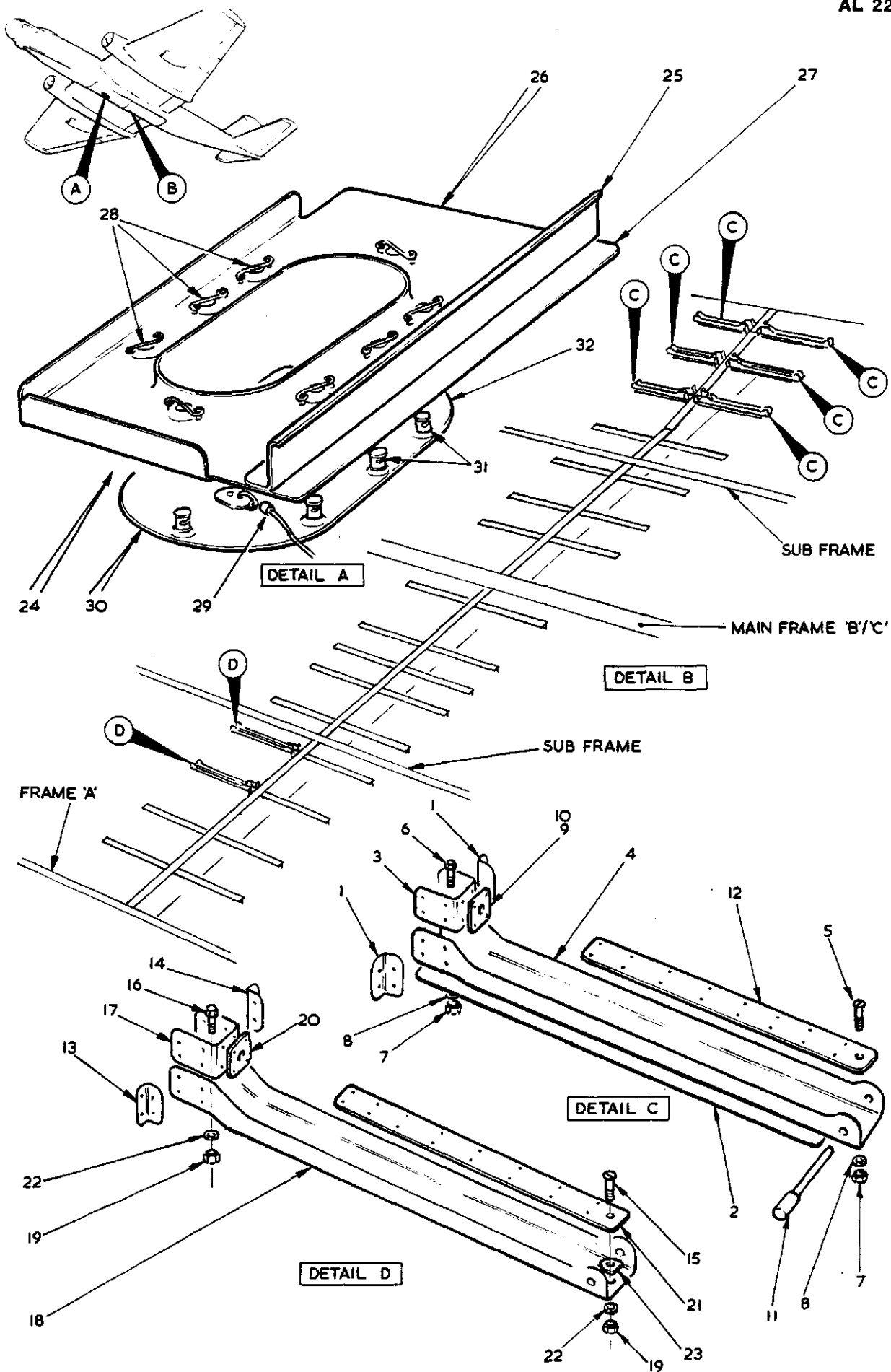


FIG.11 BOMB BAY PACK INSTALLATION

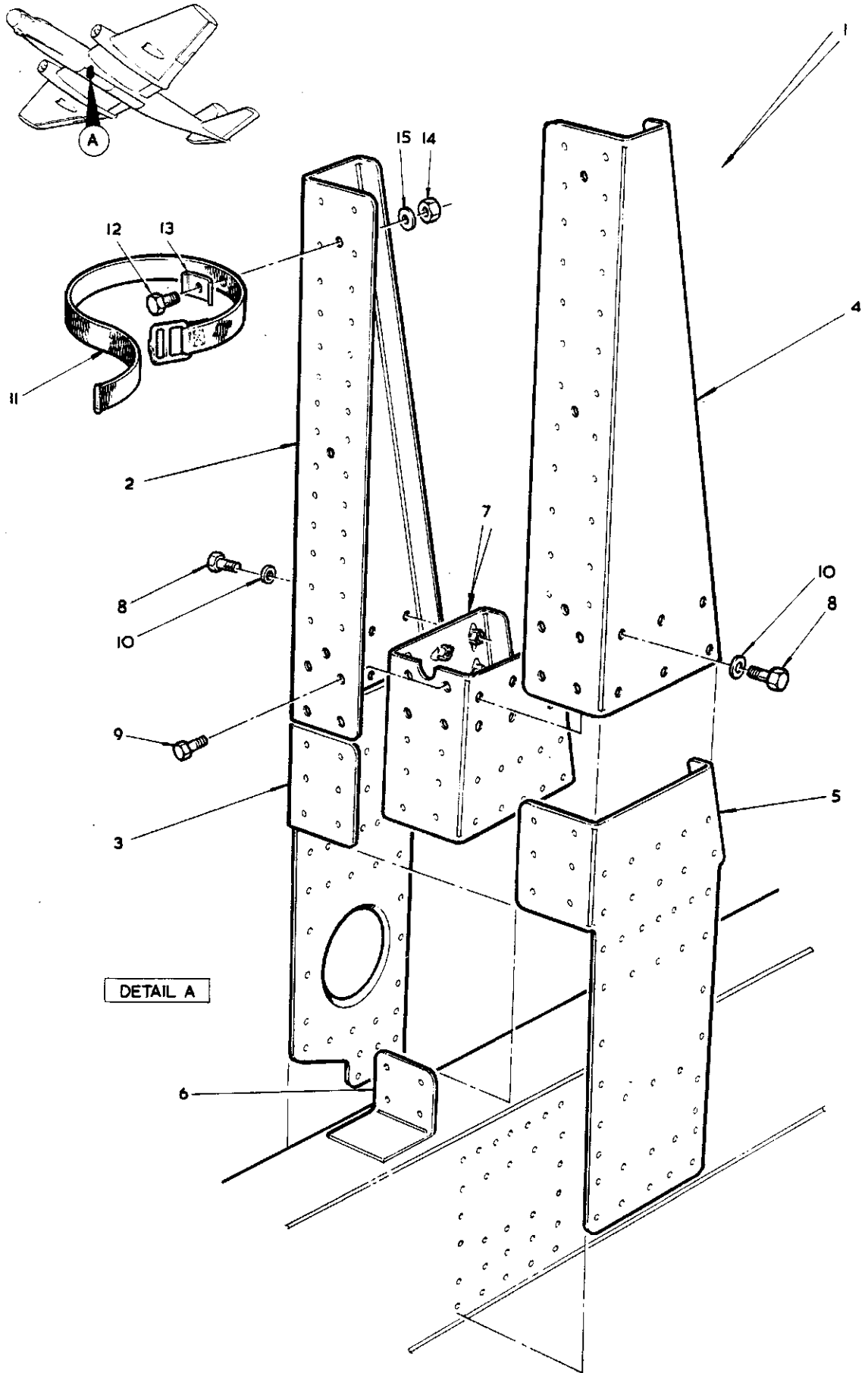


FIG.12 BOMB BAY PACK INSTALLATION

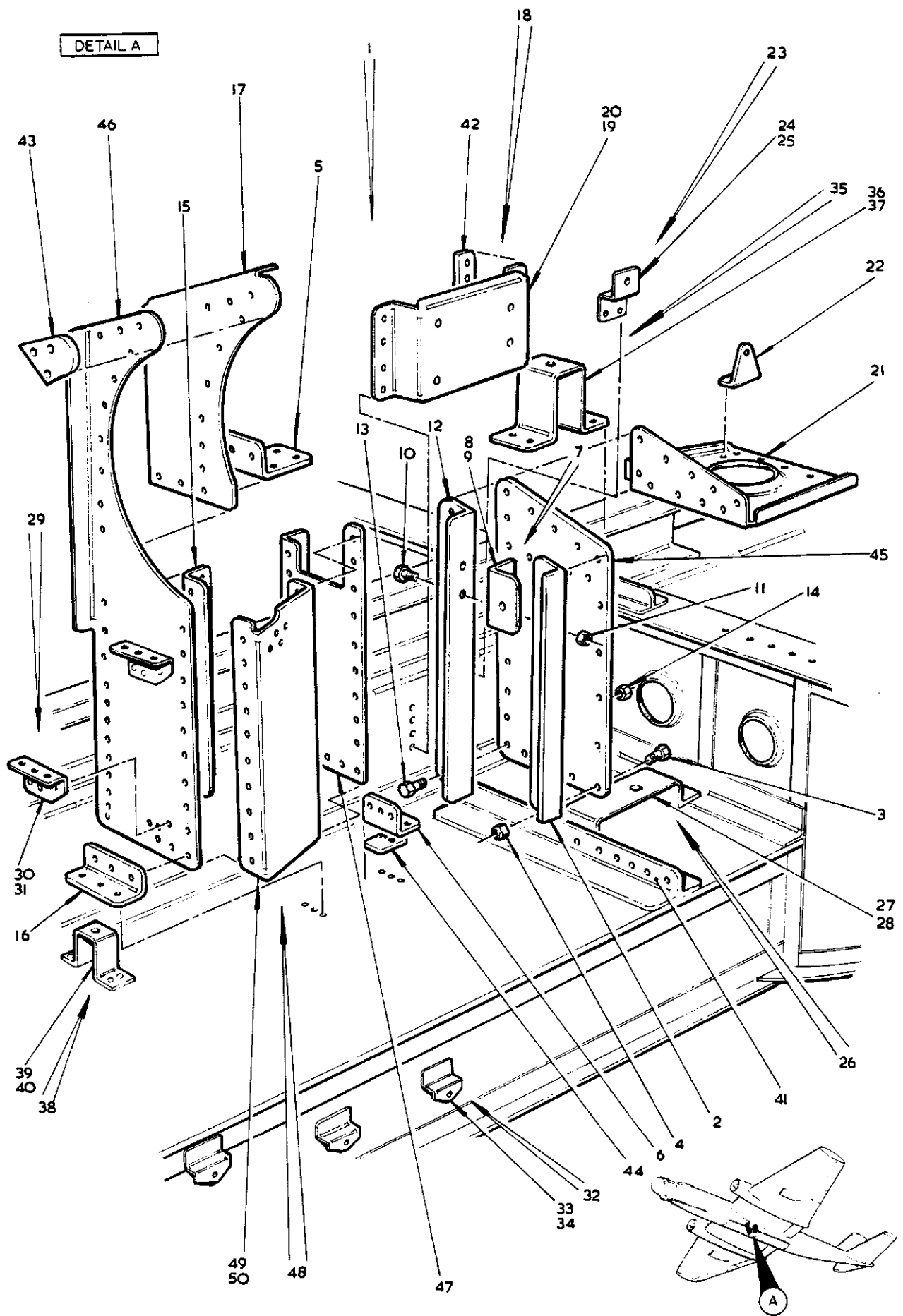


FIG. 13. BOMB BAY PACK INSTALLATION

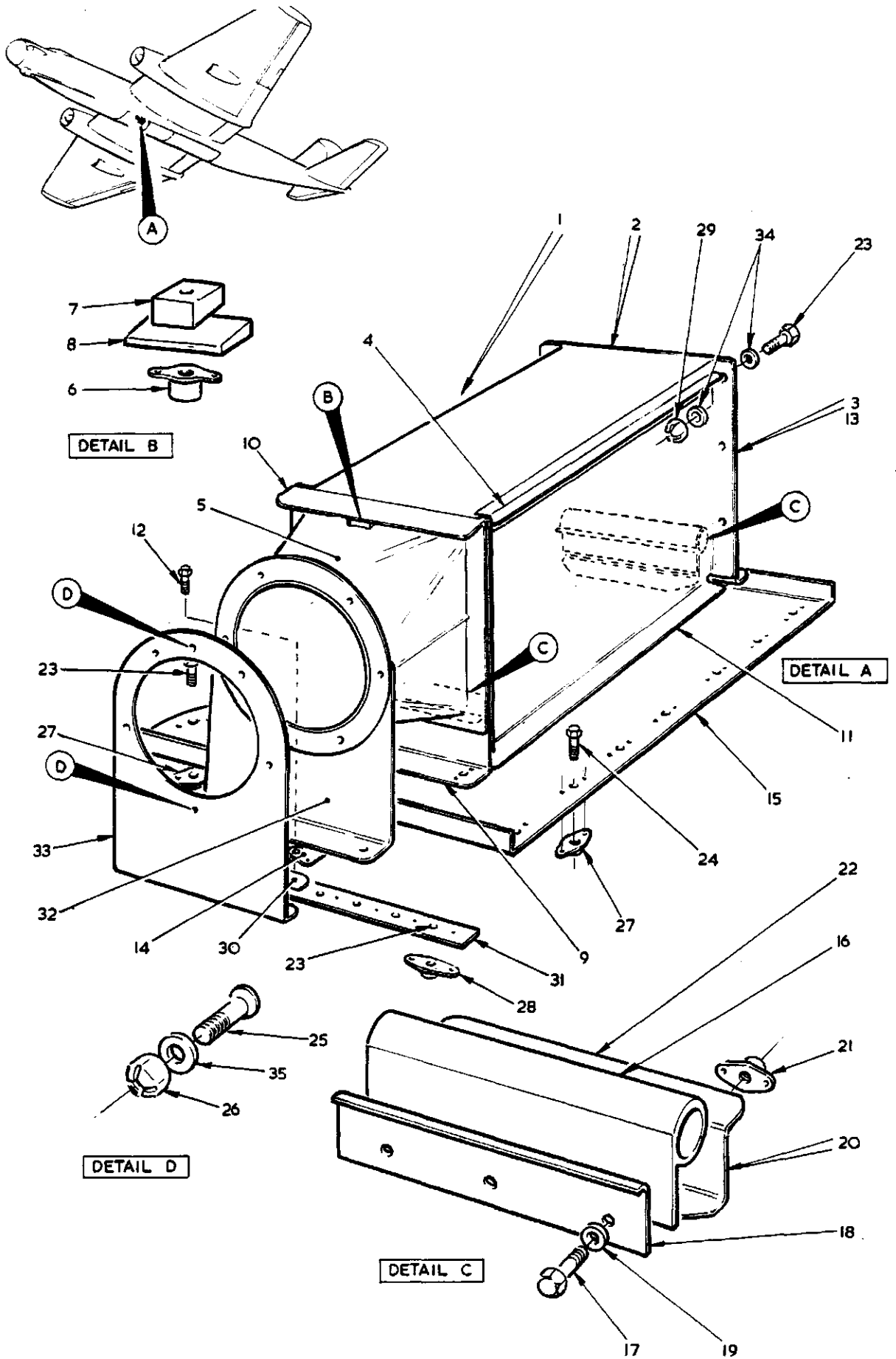


FIG.14 BOMB BAY PACK INSTALLATION

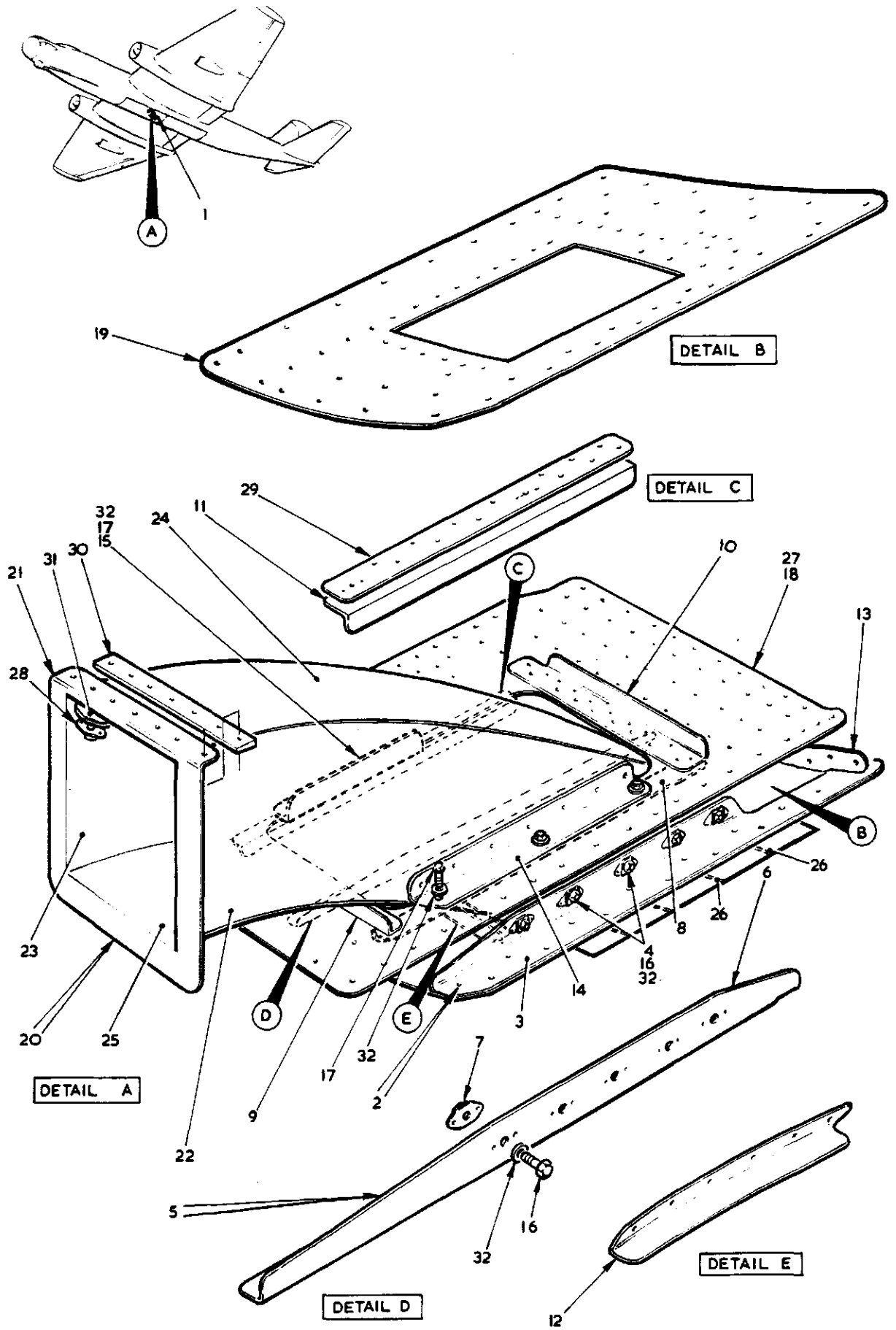


FIG.15 BOMB BAY PACK INSTALLATION

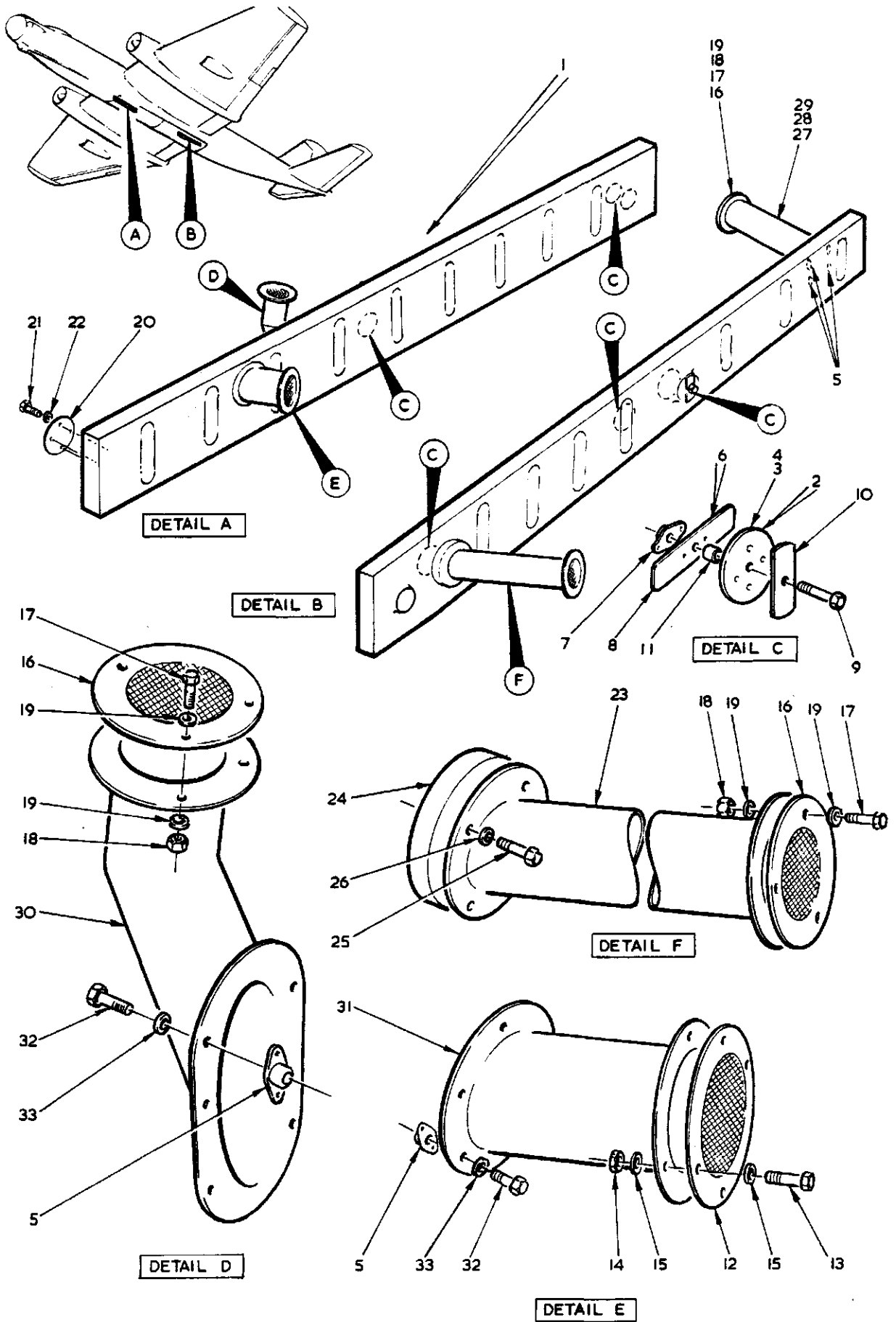


FIG.16 BOMB BAY PACK INSTALLATION

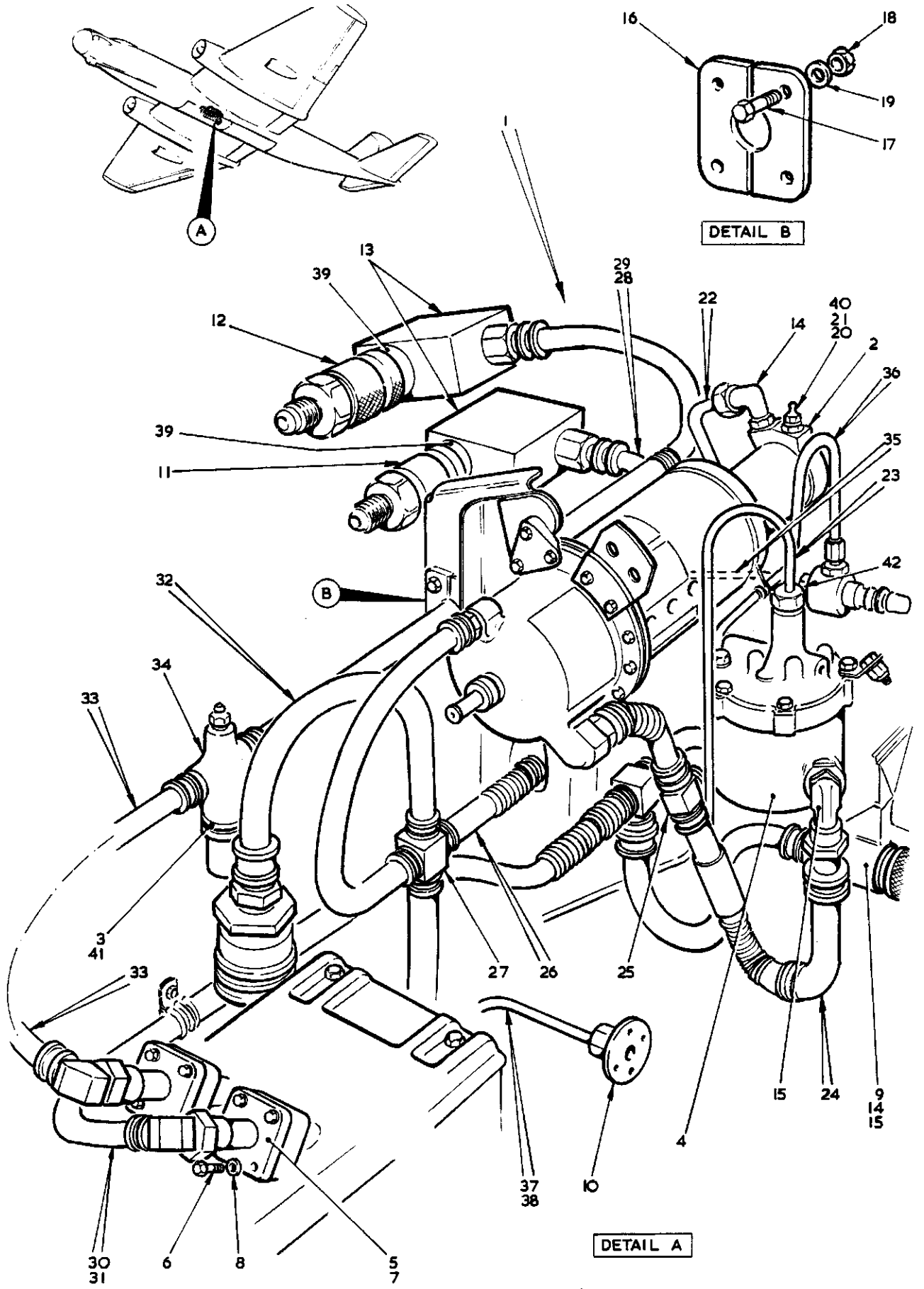


FIG.17 BOMB BAY PACK INSTALLATION

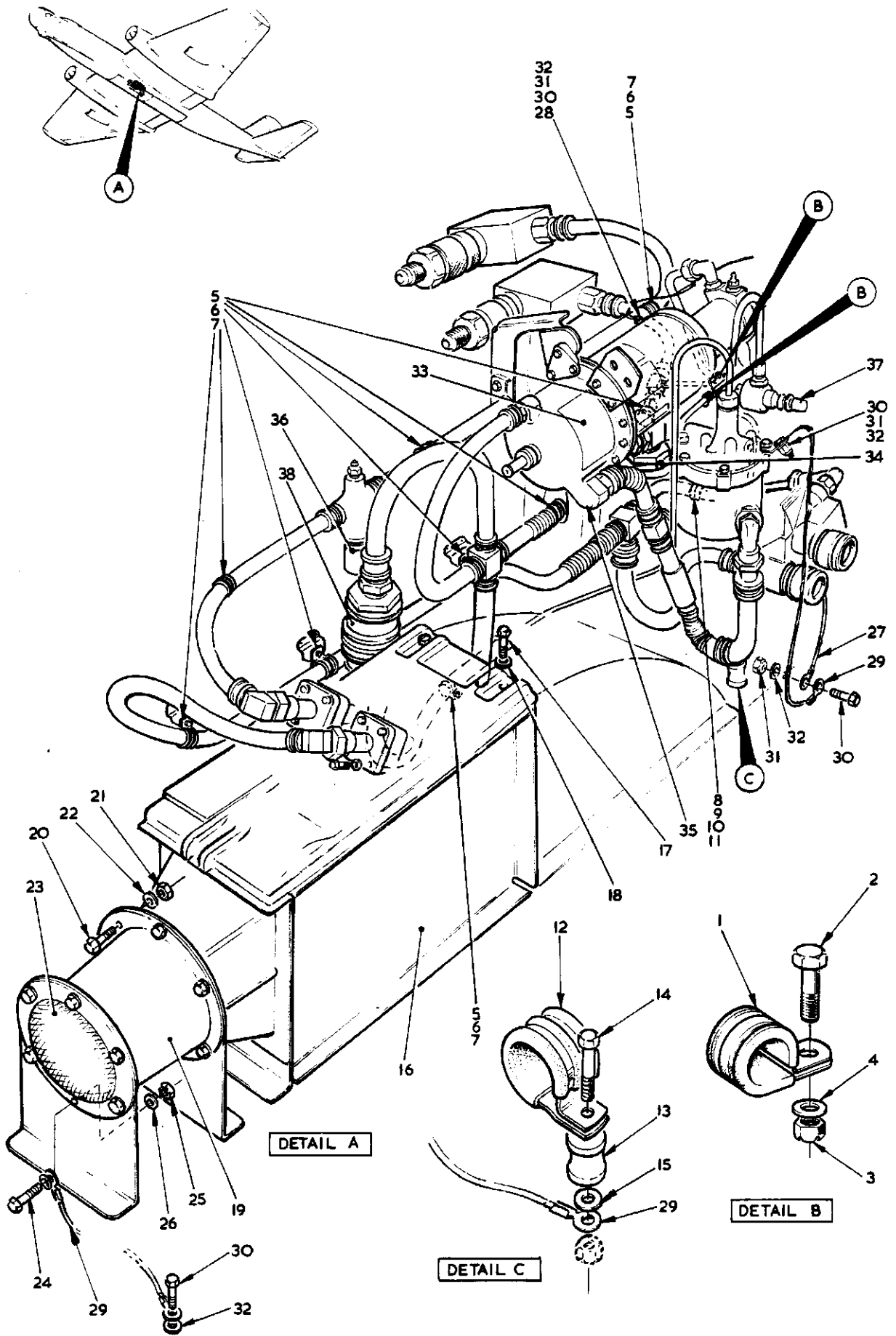
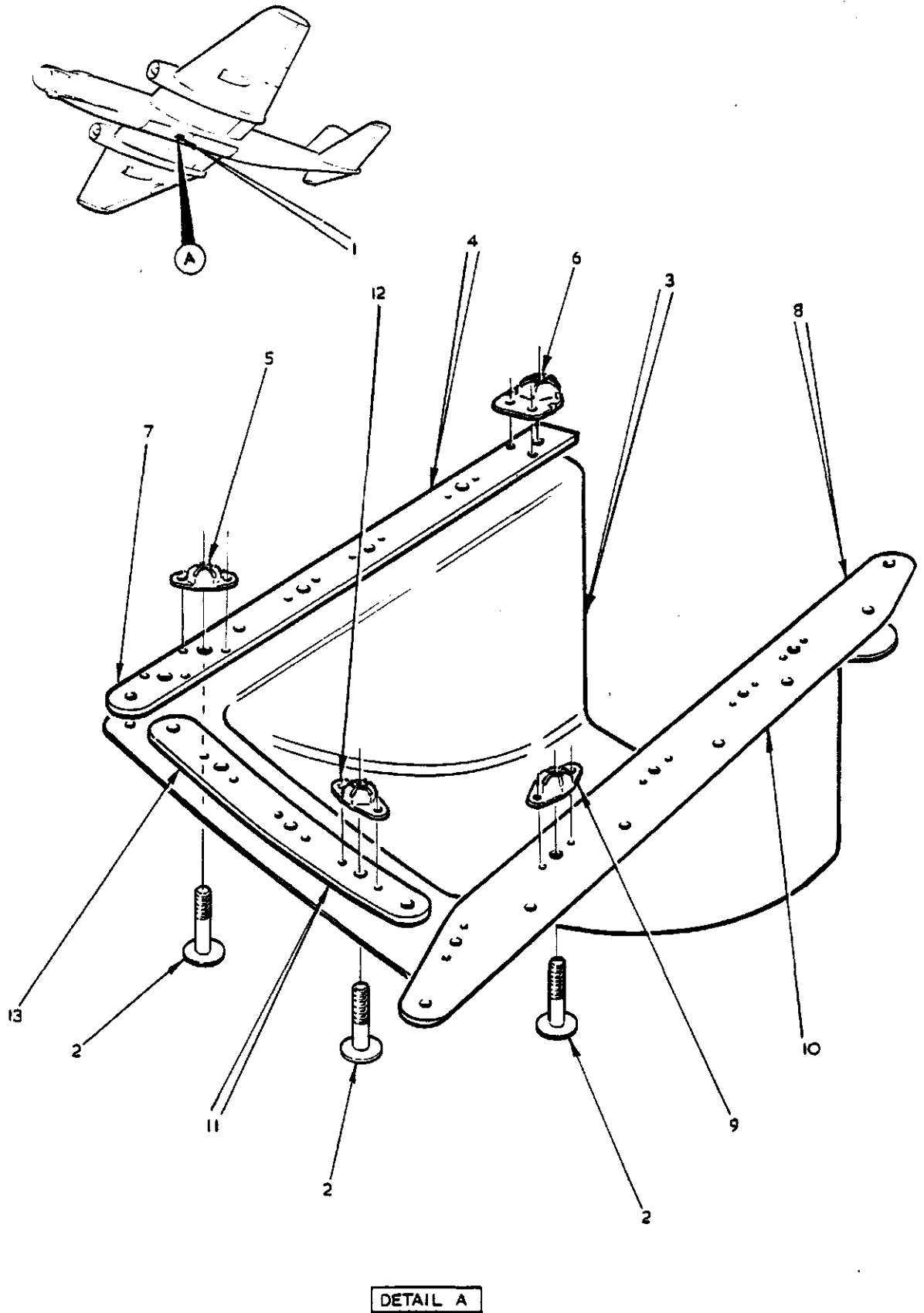


FIG.18 BOMB BAY PACK INSTALLATION



**FIG.19 BOMB BAY PACK INSTALLATION**

This file was downloaded  
from the RTFM Library.

Link: [www.scottbouch.com/rtfm](http://www.scottbouch.com/rtfm)

Please see site for usage terms,  
and more aircraft documents.

