

AILERON CONTROLS IN WING, PORT

Part Number	Description	No. Off	Matl. Spec.	Plate No.	
					1
—	CONTROLS, AILERON, IN WING, PORT ASSEMBLY (EA1.45.13) Consisting of:—	—	—	11/39	
R EA3.45.655	. TUBE, CONTROL' AILERON ASSEMBLY (Mod.4930) (Pre-Mod.5473)	1	—	11/41	
EA3.45.731	. TUBE, CONTROL, AILERON ASSEMBLY (Mod.5473) Spares for:—	1	—		
EA1.45.201	. . FORK-END	1	DTD126	11/7	
A27/NT	. . NUT, 1/2" BSF thin Attaching parts for EA3.45.321, EA3.45.655 or EA3.45.731:—	1	—	11/6	
EEAS.13/1	. Bolt, special	2	S96	11/1	
EEAS.14	. Bush, bearing	2	S96	11/3	
EEAS.63/E	. Nut, special	2	S96	11/8	
EAS.127	. Piece, distance	2	S96	11/2	
SP90/C7	. Pin, split	2	—	11/9	
R EA3.45.687	. TUBE, CONTROL, AT CENTRE WING, ASSEMBLY (Mod.4930) (Pre-Mod.5473)	1	—	11/4	
EA3.45.757	. TUBE, CONTROL, AT CENTRE WING, ASSEMBLY (Mod.5473) Spares for:—	1	—		
EEAS.47/2	. . FITTING, adjuster	1	L40	11/10	
EEAS.131/2	. . FORK-END (Pre-Mod.5473)	1	L40	11/18	
EA3.45.765	. . FORK-END (Mod.5473) Attaching parts for EEAS.131/2 or EA3.45.765:—	1	—		
EEAS.37/13A	. . Nipple	6	S96	11/5	
EEAS.38/1A	. . Spoke (Make from Ref. No. 28R/6123)	3	S94	11/15	
A29/NP	. . NUT, 1/2" BSF Attaching parts for EA3.45.397, EA3.45.687 or EA3.45.757:—	1	—	11/11	
EEAS.13/1	. Bolt, special	1	S96	11/16	
EEAS.14	. Bush, bearing	1	S96	11/17	
EEAS.63/E	. Nut, special	1	S96	11/14	
EEAS.127	. Piece, distance	1	S96	11/12	
SP90/C7	. Pin, split	1	—	11/13	
R EA3.45.689	. TUBE, CONTROL, AT CENTRE WING, ASSEMBLY (Mod.4930) (Pre-Mod.5473)	1	—	11/22	
EA3.45.759	. TUBE, CONTROL, AT CENTRE WING, ASSEMBLY (Mod.5473) Spares for:—	1	—		
EEAS.131/2	. . FORK-END (Pre-Mod.5473)	2	L40	11/37	
EA3.45.765	. . FORK-END (Mod.5473) Attaching parts for EEAS.131/2 or EA3.45.765:—	2	—		
EEAS.37/13A	. . Nipple	6	S96	11/25	
EEAS.38/1A	. . Spoke (Make from Ref. No. 28R/6123)	3	S94	11/26	

CONTROLS

AILERON CONTROLS IN WING, PORT

Part Number	Description	No. Off	Mati. Spec.	Plate No.
EEAS.13/1	Attaching parts for EA3.45.401, EA3.45.689 or EA3.45.759:—	2	S96	11/35
EEAS.14	. Bolt, special	2	S96	11/36
EEAS.63/E	. Bush, bearing	2	S96	11/38
EEAS.127	. Nut, special	2	S96	11/28
SP90/C7	. Piece, distance	2	—	11/27
	. Pin, split	2	—	11/27
R EA3.45.691	. TUBE, CONTROL, OUTER WING, ASSEMBLY (Mod.4930) (Pre-Mod.5473)	1	—	11/23
EA3.45.761	. TUBE, CONTROL, OUTER WING, ASSEMBLY (Mod.5473)	1	—	
	Spares for:—			
EEAS.131/2	. . FORK-END (Pre-Mod.5473)	2	L40	11/37
EA3.45.765	. . FORK-END (Mod.5473)	2	—	
	Attaching parts for EEAS.131/2 or EA3.45.765:—			
EEAS.37/13A	. . Nipple	6	S96	11/25
EEAS.38/1A	. . Spoke (Make from Ref. No.28R/6123)	3	S94	11/26
	Attaching parts for EA3.45.405, EA3.45.691 or EA3.45.761:—			
EEAS.13/1	. Bolt, special	2	S96	11/35
EEAS.14	. Bush, bearing	2	S96	11/36
EEAS.63/E	. Nut, special	2	S96	11/38
EEAS.127	. Piece, distance	2	S96	11/28
SP90/C7	. Pin, split	2	—	11/27
R EA3.45.693	. TUBE, CONTROL, OUTER WING, ASSEMBLY, PORT (Mod.4930) (Pre-Mod.5473)	1	—	11/19
EA3.45.763	. TUBE, CONTROL, OUTER WING, ASSEMBLY (Mod.5473)	1	—	
	Spares for:—			
EEAS.131/2	. . FORK-END (Pre-Mod.5473)	2	L40	11/31
EA3.45.765	. . FORK-END (Mod.5473)	2	—	
	Attaching parts for EEAS.131/2 or EA3.45.765:—			
EEAS.37/13A	. . Nipple	6	S96	11/29
EEAS.38/1A	. . Spoke (Make from Ref. No. 28R/6123)	3	S94	11/30
	Attaching parts for EA3.45.409:—			
EEAS.13/1	. Bolt, special	2	S96	11/21
EEAS.14	. Bush, bearing	2	S96	11/24
EEAS.63/E	. Nut, special	2	S96	11/33
EEAS.127	. Piece, distance	2	S96	11/32
SP90/C7	. Pin, split	2	—	11/34

AILERON CONTROLS IN WING, STARBOARD

Part Number	Description 1 2 3 4 5 6	No. Off	Matl. Spec.	Plate No.
-	CONTROLS, AILERON, IN WING, STARBOARD ASSEMBLY (EA1.45.14) Consisting of:-	-	-	11/40
R EA3.45.655	. TUBE, CONTROL, AILERON, ASSEMBLY (Mod.4930) (Pre-Mod.5473)	1	-	11/41
EA3.45.731	. TUBE, CONTROL, AILERON ASSEMBLY (Mod.5473) Spares for:-	1	-	
EA1.45.201	. . FORK-END	1	DTD126	11/7
A27/NT	. . NUT, 1/2" BSF thin Attaching parts for EA3.45.321, EA3.45.655 or EA3.45.731:-	1	-	11/6
EEAS.13/1	. Bolt, special	2	S96	11/1
EEAS.14	. Bush, bearing	2	S96	11/3
EEAS.63/E	. Nut, special	2	S96	11/8
EEAS.127	. Piece, distance	2	S96	11/2
SP90/C7	. Pin, split	2	-	11/9
R EA3.45.687	. TUBE, CONTROL, AT CENTRE WING, ASSEMBLY (Mod.4930) (Pre-Mod.5473)	1	-	11/4
EA3.45.757	. TUBE, CONTROL, AT CENTRE WING, ASSEMBLY (Mod.5473) Spares for:-	1	-	
EEAS.47/2	. . FITTING, adjuster	1	L40	11/10
EEAS.131/2	. . FORK-END (Pre-Mod.5473)	1	L40	11/18
EA3.45.765	. . FORK-END (Mod.5473) Attaching parts for EEAS.131/2 or EA3.45.765:-	1	-	
EEAS.37/13A	. . Nipple	6	S96	11/5
EEAS.38/1A	. . Spoke (Make from Ref. No. 28R/6123)	3	S94	11/15
A29/NP	. . NUT, 1/2" BSF plain Attaching parts for EA3.45.397, EA3.45.687 or EA3.45.757:-	1	-	11/11
EEAS.13/1	. Bolt, special	1	S96	11/16
EEAS.14	. Bush, bearing	1	S96	11/17
EEAS.63/E	. Nut, special	1	S96	11/14
EEAS.127	. Piece, distance	1	S96	11/12
SP90/C7	. Pin, split	1	-	11/13
R EA3.45.689	. TUBE, CONTROL, AT CENTRE WING, ASSEMBLY (Mod.4930) (Pre-Mod.5473)	1	-	11/22
EA3.45.759	. TUBE, CONTROL, AT CENTRE WING, ASSEMBLY (Mod.5473) Spares for:-	1	-	
EEAS.131/2	. . FORK-END (Pre-Mod.5473)	2	L40	11/37
EA3.45.765	. . FORK-END (Mod.5473) Attaching parts for EEAS.131/2 or EA3.45.765:-	2	-	
EEAS.37/13A	. . Nipple	6	S96	11/25
EEAS.38/1A	. . Spoke (Make from Ref. No.28R/6123)	3	S94	11/26

CONTROLS

AILERON CONTROLS IN WING, STARBOARD

Part Number	Description 1 2 3 4 5 6	No. Off	Mati. Spec.	Plate No.
EEAS.13/1	. Attaching parts for EA3.45.401, EA3.45.689 or EA3.45.759:-- . Bolt, special	2	S96	11/35
EEAS.14	. Bush, bearing	2	S96	11/36
EEAS.63/E	. Nut, special	2	S96	11/38
EEAS.127	. Piece, distance	2	S96	11/28
SP90/C7	. Pin, split	2	-	11/27
R EA3.45.691	. . TUBE, CONTROL, OUTER WING, ASSEMBLY (Mod.4930) (Pre-Mod.5473)	1	-	11/23
EA3.45.761	. TUBE, CONTROL, OUTER WING, ASSEMBLY (Mod.5473) Spares for:--	1	-	
EEAS.131/2	. . FORK-END (Pre-Mod.5473)	2	L40	11/37
EA3.45.765	. . FORK-END (Mod.5473) Attaching parts for EEAS.131/2 or EA3.45.765:--	2	-	
EEAS.37/13A	. . Nipple	6	S96	11/25
EEAS.38/1A	. . Spoke (Make from Ref. No. 26R/6123)	3	S95	11/26
EEAS.13/1	. Attaching parts for EA3.45.405, EA3.45.691 or EA3.45.761:-- . Bolt, special	2	S96	11/35
EEAS.14	. Bush, special	2	S96	11/36
EEAS.63/E	. Nut, special	2	S96	11/38
EEAS.127	. Piece, distance	2	S96	11/28
SP90/C7	. Pin, split	2	-	11/27
R EA3.45.694	. TUBE, CONTROL, OUTER WING, ASSEMBLY (Mod.4930) (Pre-Mod.5473)	1	-	11/20
EA3.45.764	. TUBE, CONTROL, OUTER WING ASSEMBLY (Mod.5473) Spares for:--	1	-	
EEAS.131/2	. . FORK-END (Pre-Mod.5473)	2	L40	11/31
EA3.45.765	. . FORK-END (Mod.5473) Attaching parts for EEAS.131/2:--	2	-	
EEAS.37/13A	. . Nipple	6	S96	11/29
EEAS.38/1A	. . Spoke (Make from Ref. No.28R/6123)	3	S94	11/30
EEAS.13/1	. Attaching parts for EA3.45.410:-- . Bolt, special	2	S96	11/21
EEAS.14	. Bush, bearing	2	S96	11/24
EEAS.63/E	. Nut, special	2	S96	11/33
EEAS.127	. Piece, distance	2	S96	11/32
SP90/C7	. Pin, split	2	-	11/34

ENGINE CONTROLS IN NOSE FUSELAGE

Part Number	Description	No. Off	Mtl. Spec.	Plate No.
-	CONTROLS ENGINE IN NOSE FUSELAGE ASSEMBLY (EG7.47.41) Spares for:-	-	-	
-	. BOX THROTTLE CONTROL MOUNTING ASSEMBLY (EG7.47.45) Spares for:-	-	-	2/25
EG7.47.1	. . . BOX THROTTLE CONTROL GROUP Spares for:-	1	-	2/26
EG7.47.25	. . . BRACKET retaining Attaching parts for EG7.47.25:	1	L72	2/57
A25/1B	. . . Bolt, 4BA hex head	4	-	2/55
AGS2001B1	. . . Nut, stiff 4BA	4	-	2/61
SP15B	. . . Washer, 4BA plain	4	-	2/59
EA1.47.165	. . . BRACKET, micro switch mounting Attaching parts for EA1.47.165:	1	L72	2/56
A25/2B	. . . Bolt, 4BA hex head	4	-	2/51
AGS2001B1	. . . Nut, stiff 4BA	4	-	2/52
SP15B	. . . Washer, 4BA plain	4	-	2/53
EB7.81.1589	. . . BRACKET, cable clip assembly Attaching parts for EB7.81.1589	1	L72	2/60
A25/1B	. . . Bolt, 4BA hex head	2	-	2/63
AGS2001B1	. . . Nut, stiff 4BA	2	-	2/62
EA1.47.173	. . . BUSH tapped shut-off cock lever locking	1	DTD126A	2/71
EA1.47.293	. . . BUSH, tapped, throttle lever locking	1	DTD126A	2/80
EA3.81.2645	. . . CABLE, ASSEMBLY N76A FROM U/C WARNING MICRO SWITCH PITOT SWITCH AND PORT STARBOARD RELIGHT SWITCHES TO SOCKET FORWARD ON CONSOLE, GROUP Consisting of:-	1	-	2/79
R UNIPREN4 CABLE, unipren 4	QR	-	
EEAS111/3 FERRULE	1	L59	
508/2/07706/200 GASKET, outlet	1	-	
508/1/07633/003 OUTLET, angle	1	-	
508/1/40029/320 PLUG, MK.4	1	-	
508/1/11778/002 RING, clamp	1	-	
508/2/07709/200 RING, sealing	1	-	
5K/9455173 SLEEVE, helsyn 3/4" long, white	2	-	
5K/9455173 SLEEVE, helsyn 3/4" long, red	2	-	
5K/9455173 SLEEVE, helsyn 3/4" long, blue	2	-	
EEAS146A SLEEVE, 1" long, yellow, identification	10	-	
EEAS146B SLEEVE, 1" long, yellow	1	-	
EEAS146C SLEEVE, 1" long, yellow, identification	2	-	
EEAS146H SLEEVE, identification	2	-	
R HELLMERMANN				
R SIZE B.P. TUBING, synthetic, (Black)	QR	-	
R E AND 1 659 ISS2 TUBING, PVC, 12.7mm (Black)	QR	-	
R DURAWIRE "S" WIRE, PVC, insulated flex, 7/36" gauge	QR	-	

CONTROLS

ENGINE CONTROLS IN NOSE FUSELAGE

Part Number	Description						No. Off	Matl. Spec.	Plate No.
	1	2	3	4	5	6			
EA1.47.137	1	Mag Alloy	2/70
AS3180/11B	1	-	2/64A
			
A25/1B	1	-	2/64B
EEAS237-6A	1	-	2/64
EA1.47.157	1	L40	2/68
EA1.47.159	1	L40	2/81
EA3.81.1971	1	L40	2/9
			
A33/B16	1	-	2/29
A33/C20	1	-	2/30
			
EA3.81.1972	1	L40	2/16
			
A33/B16	1	-	2/17
A33/C20	1	-	2/18
			
AS1908/B	1	-	2/3
			
A27/CT	1	-	2/13
A33/C28	1	-	2/20
			
AS1908/C	1	-	2/4
			
A27/CT	1	-	2/5
A33/C28	1	-	2/6
			
EG7.47.127	1	-	2/14
			
EG7.47.17	2	S96	2/12
EG7.47.9	1	S96	2/19
EG7.47.11	1	S96	2/2
HOFFMANN			
CJ1	1	-	2/41
EG7.47.129	1	-	
A27CT	2	-	2/11
EG7.47.15	1	DTD157	2/7
SP90/C4	1	-	2/1
EG7.47.13	1	S513	2/8
EG7.47.128	1	-	2/24
			
EG7.47.17	2	S96	2/12
EG7.47.9	1	S96	2/19
EG7.47.11	1	S96	2/2
HOFFMANN			
CJ1	1	-	2/41
EG7.47.129	1	-	
A27/CT	2	-	2/11
EG7.47.15	1	DTD197	2/7
SP90/C4	1	-	2/1
EG7.47.13	1	S513	2/8

CONTROLS

ENGINE CONTROLS IN NOSE FUSELAGE

Part Number	Description						No. Off	Mati. Spec.	Plate No.
	1	2	3	4	5	6			
E.A3.47.139	.	.	.				1	-	2/45
E.A4.47.140	.	.	.				1	-	2/44
A27/CP	.	.	.				8	-	2/49
E.A1.47.295	.	.	.				1	L40	2/82
E.A1.47.297	.	.	.				1	L40	2/69
E.G7.47.21	.	.	.				1	\$615	2/38
E.G7.47.23	.	.	.				1	\$515	2/39
E.G7.47.49	.	.	.				1	L73	2/35
A32/B8	.	.	.				6	-	2/33
A32/B16	.	.	.				3	-	2/28
SP47/B	.	.	.				9	-	2/32
E.A3.47.91	.	.	.				1	DTD124	2/27
E.A3.47.93	.	.	.				1	DTD124	2/31
E.A3.47.145	.	.	.				1	DTD124	2/75
AS.1242/4/B	.	.	.				2	-	2/67
AGS.2002/B/1	.	.	.				2	-	2/72
SP15/B	.	.	.				2	-	2/73
E.A3.81.1997	.	.	.				2	L72	2/15
A44/Z10	.	.	.				3	-	2/10
E.G7.47.31	.	.	.				2	\$96	2/34
A32/C28	.	.	.				6	-	2/48
A32/C40	.	.	.				2	-	2/54
E.A3.47.85	.	.	.				2	Lam.	2/40
								Alum.	
E.A3.47.103	.	.	.				2	Lam.	2/42
								Alum.	
E.A3.81.1995	.	.	.				2	LPT56	2/23
DOWTY	.	.	.				2	-	2/21
C.5162Y	.	.	.						
A43/Z12	.	.	.				2	-	2/22
MS.5752	.	.	.				1	-	2/58
A25/8B	.	.	.				2	-	2/50
AGS.2001/B/1	.	.	.				2	-	2/76
SP15/B	.	.	.				2	-	2/77
E.A3.47.83	.	.	.				1	T4	2/37
E.A3.47.81	.	.	.				2	Feroda	2/36
								FF	
E.A3.47.89	.	.	.				2	Feroda	2/43
								FF	

R

CONTROLS

ENGINE CONTROLS IN NOSE FUSELAGE

Part Number	1 2 3 4 5 6	Description	No. Off	Mati. Spec.	Plate No.
EEAS.238/1A	.	WASHER, "D", clip attachment	1	L72	2/78
	.	Attaching parts for E.G7.47.1:—			
A25/2C	.	Bolt, 2 BA hex. head	3	—	2/65
AS.1246/2C	.	Bolt, 2 BA round head	2	—	2/74
AS.2922/2-1/2C	.	Bolt, 2 BA round head	6	—	2/46
AS.2922/3C	.	Bolt, 2 BA round head	5	—	2/47
AGS2001/C/1	.	Nut, stiff, 2 BA	5	—	2/66
E.A1.47.245	.	CLAMP, grommet retaining at pressure bulkhead	4	L40	1/4
	.	Attaching parts for E.A1.47.245:—			
A25/2C	.	Bolt, 2 BA hex. head	2	—	1/3
AGS.2001/C/1	.	Nut, stiff, 2 BA	2	—	1/11
E.A1.47.357	.	CLEAT, engine control support, frame 4	2	L40	1/6
	.	Attaching parts for E.A1.47.357:—			
A25/7C	.	Bolt, 2 BA hex. head	3	—	1/12
AGS.2001/C/1	.	Nut, stiff, 2 BA	3	—	1/2
SIMMONDS CORSEY SP15/7	.	CLIP, rigid, engine control rods, at frames 5, 6, 7, 8, and 10 (in pairs)	28	—	1/18
	.	Attaching parts for SP15/7:—			
A25/7C	.	Bolt, 2 BA hex. head, at frames 5, 6, 7 and 8	2	—	1/16
A25/9C	.	Bolt, 2 BA hex. head, at frame 10	2	—	1/24
AGS.2001/C/1	.	Nut, stiff, 2 BA	2	—	1/15
SIMMONDS CORSEY SP15/10	.	CLIP, rigid, engine control rods, frame 3 (in pairs)	8	—	1/14
	.	Attaching parts for SP15/10:—			
A25/10E	.	Bolt, 1/4" BSF hex. head	2	—	1/5
AGS.2001/E/1	.	Nut, stiff, 1/4" BSF	2	—	1/17
E.A1.47.251	.	CONTROL, engine fuel shut-off cock L.H.	1	—	1/8
	.	(SIMMONDS CORSEY No. 7)			
E.A1.47.253	.	CONTROL, engine throttle, L.H.	1	—	1/7
	.	(SIMMONDS CORSEY No. 7)			
E.A1.47.255	.	CONTROL, engine fuel shut-off cock, R.H.	1	—	1/9
E.A1.47.257	.	CONTROL, engine throttle, R.H.	1	—	1/1
	.	(SIMMONDS CORSEY No. 7)			
	.	Attaching parts for E.A1.47.251, 253, 255 and 257:—			
AGS.899/4	.	Collar, shackle pin	1	—	1/19
SP4Y/D9	.	Pin, shackle	1	—	1/22
SP90/C7	.	Pin, split	1	—	1/21
Z.11809	.	GROMMET, at pressure bulkhead	4	—	1/10
E.B6.47.5	.	PACKING, for rigid clip, frame 10, 1-3/16" x 1/2" x 3/16"	2	LFS21	1/23
E.B6.47.7	.	PACKING, for rigid clip, frame 10	2	LFS21	1/25
E.A1.47.217	.	SUPPORT, ENGINE CONTROL RODS, FRAME 12, ASSEMBLY	1	—	1/20
	.	Spares for:—			
SIMMONDS CORSEY SP15/7	.	CLIP, rigid	4	—	1/13

CONTROLS

ENGINE CONTROLS IN WINGS, PORT

Part Number	Description	No. Off	Mati. Spec.	Plate No.	
					1
-	CONTROLS, ENGINE, IN WING, PORT, ASSEMBLY (E.A3.45.21) Spares for:-	-	-	12/17	
E.A1.47.81	. BLOCK, split, sealing, for controls at wing rib 1 Attaching parts for E.A1.47.81:-	1	Red Fibre	12/27	
A25/2B	. Bolt, 4 BA hex. head	6	-	12/31	
AGS.2001/B/1	. Nut, stiff, 4 BA	6	-	12/22	
SP.15/B	. Washer, 4 BA plain	6	-	12/25	
EEAS.12/1	. BOLT, special, connecting rod fork-end	10	S11	12/30	
R E.A3.47.187	. LEVER, CONTROL CONNECTING INTERMEDIATE, GROUP (Mod. 5028) Spares for:-	1	-	12/14	
HOFFMANN C.J.0	. . BEARING, spherical	4	-	12/6	
SKEFCO EE.4	. . Bearing, throttle	1	-	12/7	
SKEFCO EE.5	. . BEARING, shut-off cock	1	-	12/16	
R E.A3.47.189	. . LEVER, control, shut-off cock (Mod.5028)	1	-	12/12	
R E.A3.47.191	. . LEVER, control, throttle (Mod. 5028)	1	-	12/4	
E.A1.47.65	. . WASHER, special, clamping	1	L1	12/3	
R E.A3.47.175	. LEVER, CONTROL, THROTTLE VALVE AND SHUT-OFF COCK, GROUP (Mod 5028) (Pre-Mod. 5177)	1	-	12/41	
E.A3.47.279	. LEVERS, CONTROL AND MOUNTING ASSEMBLY (Mod. 5177) Spares for:-	1	-		
HOFFMANN C.J.0	. . BEARING, spherical	4	-	12/40	
HOFFMANN C.S.5	. . BEARING, shut-off cock	2	-	12/37	
HOFFMANN T.21	. . BEARING, throttle	2	-	12/36	
R E.A3.47.183	. . LEVER, control, throttle (Mod. 5028)	1	-	12/42	
R E.A3.47.185	. . LEVER, control, throttle (Mod. 5028)	1	-	12/35	
R E.A3.47.179	. . LEVER, control, shut-off cock (Mod. 5028)	1	-	12/39	
R E.A3.47.181	. . LEVER, control, shut-off cock (Mod. 5028) (Pre-Mod. 5177)	1	-	12/38	
R E.A3.47.253	. . LEVER, control, shut-off cock (Mod. 5177) Attaching parts for EA3.47.175 and 279:-	1	-		
A25/4E	. Bolt, 1/4" BSF hex. head	1	-	12/33	
A25/3E	. Bolt, 1/4" BSF hex. head	1	-	12/43	
A27/ES	. Nut, 1/4" BSF slotted	2	-	12/34	
SP90/C4	. Pin, split	2	-	12/28	
SP15/E	. Washer, 1/4" BSF plain	2	-	12/32	
EEAS.63	. NUT, special, 2 BA thin slotted	10	S96	12/24	
E.A3.47.25	. TUBE, control from intermediate lever to engine control connecting lever	1	-	12/19	
E.A3.47.29	. TUBE, control, from intermediate lever to engine control connecting lever	1	-	12/18	
E.A3.47.31	. TUBE, control, engine shut-off cock, assembly Spares for:-	1	-	12/23	
E.A1.47.359	. . TURNBUCKLE	1	-	12/20	
E.A3.47.33	. TUBE, control, engine throttle, assembly Spares for:-	1	-	12/29	
E.A1.47.359	. . TURNBUCKLE	1	-	12/21	
E.A4.47.551	. TUBE, control, from fuselage to intermediate lever	2	-	12/11	
EEAS.28/3DU	. WASHER, special	QR	S515	12/26	

CONTROLS

ENGINE CONTROLS IN NOSE FUSELAGE

Part Number	Description 1 2 3 4 5 6	No. Off	Matl. Spec.	Plate No.

CONTROLS

ENGINE CONTROLS IN WING, STARBOARD

Part Number	Description	No. Off	Mati. Spec.	Plate No.
	CONTROLS, ENGINE, IN WING, STARBOARD ASSEMBLY (E.A3.47.22)	-	-	12/2
	Spares for:-			
E.A1.47.81	. BLOCK, split, sealing, for controls at wing rib 1	1	Red Fibre	12/27
	Attaching parts for E.A1.47.81:-			
A25/2B	. Bolt, 4 BA hex. head	6	-	12/31
AGS.2001/B/1	. Nut, stiff, 4 BA	6	-	12/22
SP15/B	. Washer, 4 BA plain	6	-	12/25
EEAS.12/1	. BOLT, special, connecting rod fork-end	10	S11	12/30
R E.A3.47.188	. LEVER, CONTROL, CONNECTING, INTER-MEDIATE, GROUP (Mod.5028)	1	-	12/15
	Spares for:-			
HOFFMANN C.J.O.	. . BEARING, spherical	4	-	12/6
SKEFCO EE.4	. . BEARING, throttle	1	-	12/7
SKEFCO EE.5	. . BEARING, shut-off cock	1	-	12/16
R E.A3.47.190	. . LEVER, control, shut-off cock (Mod. 5028)	1	-	12/12
R E.A3.47.192	. . LEVER, control, throttle (Mod. 5028)	1	-	12/4
E.A1.47.65	. . WASHER, special clamping	1	L1	12/3
R E.A3.47.177	. LEVER, CONTROL, THROTTLE VALVE AND SHUT-OFF COCK, GROUP (Mod. 5028)	1	-	12/42
	Spares for:-			
HOFFMANN C.J.O.	. . BEARING, spherical	4	-	12/40
HOFFMANN CS.5	. . BEARING, shut-off cock	2	-	12/37
HOFFMANN T.21	. . BEARING, throttle	2	-	12/36
R E.A3.47.183	. . LEVER, control, throttle (Mod. 5028)	1	-	12/42
R E.A3.47.185	. . LEVER, control, throttle (Mod. 5028)	1	-	12/35
R E.A3.47.179	. . LEVER, control, shut-off cock (Mod. 5028)	1	-	12/39
R E.A3.47.181	. . LEVER, control, shut-off cock (Mod. 5028)	1	-	12/38
R E.A3.47.253	. . LEVER, control, shut-off cock (Mod. 5177)	1	-	
	Attaching parts for EA3.47.177:-			
A25/4E	. Bolt, 1/4" BSF hex. head	1	-	12/33
A25/3E	. Bolt, 1/4" BSF hex. head	1	-	12/43
A27/ES	. Nut, 1/4" BSF slotted	2	-	12/34
SP90/C4	. Pin, split	2	-	12/28
SP15/E	. Washer, 1/4" BSF plain	2	-	12/32
EEAS.63	. NUT, special, 2 BA thin slotted	10	S96	12/24
E.A1.47.9	. TUBE, control, from intermediate lever to engine control connecting lever	1	-	12/8
E.A3.47.27	. TUBE, control, from intermediate lever to engine control connecting lever	1	-	12/5
E.A3.47.35	. TUBE, control, engine, shut-off cock assembly	1	-	12/9
	Spares for:-			
E.A1.47.359	. . TURNBUCKLE	1	-	12/10
E.A1.47.519	. TUBE, control, engine throttle	1	-	12/13
E.A4.47.551	. TUBE, control, from fuselage to intermediate lever	2	-	12/1
EEAS.28/3DU	. WASHER, special	QR	S515	12/26

CONTROLS

ENGINE CONTROLS IN WING, STARBOARD

Part Number	Description 1 2 3 4 5 6	No. Off	Matl. Spec.	Plate No.

CONTROLS

ENGINE CONTROLS IN CENTRE FUSELAGE

Part Number	Description 1 2 3 4 5 6	No. Off	Mati. Spec.	Plate No.
E.A1.47.125	CONTROLS, ENGINE, IN CENTRE FUSELAGE ASSEMBLY Spares for:—	—	—	
EEAS.12/1	. BOLT, special, connecting control tube and lever	24	S11	13/9
E.A1.47.203	. CONTROLS, ENGINE AT FRAME 13, GROUP Spares for:—	1	—	14/15
EEAS.13/5	. . BOLT, special, pivot, for throttle and cut out valve control operating lever	1	S96	14/21
E.A3.47.73	. . BOLT, special pivot, for throttle and cut out valve control operating lever	1	—	14/7
E.A1.47.177	. . BRACKET, fairlead attachment, L.H.	1	—	13/13
E.A1.47.179	. . BRACKET, fairlead attachment, R.H.	1	—	13/12
E.A1.47.307	. . FAIRLEAD, half, for control tubes	2	LFS21	14/11
E.A1.47.309	. . FAIRLEAD, half, for control tubes Attaching parts for E.A1.47.307 and E.A1.47.309:—	4	LFS21	14/20
A25/10C	. . Bolt, 2 BA hex. head	2	—	14/19
AGS.2001/C/1	. . Nut, stiff, 2 BA	2	—	14/18
R E.A3.47.119	. . LEVER, throttle control L.H. (Mod. 5028)	1	—	13/16
R E.A3.47.120	. . LEVER, throttle control R.H. (Mod. 5028)	1	—	13/14
R E.A3.47.121	. . LEVER, cut-out valve control L.H. (Mod. 5028)	1	—	13/15
R E.A3.47.122	. . LEVER, cut-out valve control R.H. (Mod. 5028)	1	—	13/11
E.A1.47.305	. FAIRLEAD, half, for control tubes Attaching parts for E.A1.47.305:—	16	LFS21	14/12
A25/12C	. Bolt, 2 BA hex. head	2	—	14/27
AS.1242/14C	. Bolt, 2 BA c'sk head	2	—	14/14
AGS.2001/C/1	. Nut, stiff, 2 BA	2	—	14/9
E.A1.47.535	. Packing	1	—	14/25
E.A1.47.537	. Packing	1	—	14/13
E.A1.47.539	. Packing	1	—	14/31
SP15/C	. Washer, 2 BA plain	2	—	14/10
E.A3.47.113	. LEVER, ASSEMBLY AT FRAME 16 (Mod. 5028) Spares for:—	1	—	14/16
HOFFMANN CS.3	. . BEARING, ballrace	2	—	14/32
E.A1.47.105	. . BRACKET, top	1	L72	14/22
E.A1.47.107	. . BRACKET, bottom	1	L72	14/34
R E.A3.47.125	. . HOUSING, ballrace (Mod. 5028)	2	—	14/33
R E.A3.47.155	. . LEVER, SUB-ASSEMBLY (Mod. 5028) Spares for:—	1	—	14/29
HOFFMANN C.J.O.	. . . BEARING, spherical	2	—	14/24
R E.A3.47.123	. . . EYE-END, assembly (Mod. 5028) Spares for:—	2	—	14/28
HOFFMANN C.J.O. BEARING, spherical	1	—	14/28B
R E.A3.47.135 EYE-END	1	—	14/28A
R E.A3.47.157	. . . LEVER (Mod. 5028)	1	—	14/36
R E.A3.47.159	. . . LEVER (Mod. 5028)	1	—	14/37
R A27/J7	. . . NUT, 3/8" BSF thin	2	—	14/26

CONTROLS

ENGINE CONTROLS IN CENTRE FUSELAGE

Part Number	Description	No. Off	Mati. Spec.	Plate No.
R E.A3.47.114	LEVER, ASSEMBLY, AT FRAME 16 (Mod. 5028) Spares for:—	1	—	14/17
HOFFMANN CS.3	BEARING, ball-race	2	—	14/32
E.A1.47.106	BRACKET, top	1	L72	14/23
E.A1.47.108	BRACKET, bottom	1	L72	14/35
R E.A3.47.125	HOUSING, ballrace (Mod. 5028)	2	—	14/33
R E.A3.47.156	LEVERS, SUB-ASSEMBLY (Mod. 5028) Spares for:—	1	—	14/30
HOFFMANN C.J.O.	BEARING, spherical	2	—	14/24
R E.A3.47.123	EYE-END, assembly (Mod. 5028) Spares for:—	2	—	14/28
HOFFMANN C.J.O.	BEARING, spherical	1	—	14/28B
R EA3.47.135	EYE-END	1	—	14/28A
R E.A3.47.158	LEVER (Mod. 5028)	1	—	14/36
R E.A3.47.160	LEVER (Mod. 5028)	1	—	14/37
A27/JT EEAS.63	NUT, 3/8" BSF thin NUT, special, for control tube and lever connecting bolts	2 24	— S96	14/26 13/10
R E.A3.47.115	TUBE, CONTROL, INTERMEDIATE, AFT OF FRAME 13, ASSEMBLY (Mod. 5028) Spares for:—	2	—	14/2
R EA3.47.163	EYE-END, assembly (Mod. 5028) Attaching parts for EA3.47.163:—	1	—	14/8
R SP28/G6	Pin, taper	2	—	14/3
R E.A3.47.117	TUBE, CONTROL, INTERMEDIATE THROTTLE AND SHUT-OFF COCK, ASSEMBLY (Mod. 5028) Spares for:—	4	—	13/7
R E.A3.47.163	EYE-END, assembly (Mod. 5028)	1	—	13/6
E.A3.47.167	EYE-END (Mod. 5028)	1	—	—
EEAS.51	FORK-END Attaching parts for EEAS.51:—	1	L40	13/8
R SP28/G6	Pin, taper	4	—	13/2
E.A1.47.233	TUBE, CONTROL, TRANSVERSE, CENTRE, AT FRAME 16, ASSEMBLY Spares for:—	2	—	13/25
EEAS.51	FORK-END Attaching parts for EEAS.51:—	2	L40	13/23
SP28/G6	Pin, taper	4	—	13/22

CONTROLS

ENGINE CONTROLS IN CENTRE FUSELAGE

Part Number	Description	No. Off	Mati. Spec.	Plate No.
R E.A4.47.575	. TUBE, CONTROL, TRANSVERSE, LEVER CONNECTING, ASSEMBLY (Mod. 5028) Spares for:—	4	—	13/29
R E.A3.47.163	. . EYE-END (Mod. 5028)	1	—	13/28
R SP28/G6	. . Pin, taper	2	—	13/24
EEAS.50	. . FORK-END	1	L40	13/27
EEAS.234	. . PLUG, end	1	L40	13/30
SP28/G6	. . Pin, taper	2	—	13/26
R E.A4.47.577	. TUBE, CONTROL, BETWEEN OPERATING LEVER AND INTERMEDIATE CONTROL TUBE ASSEMBLY (Mod. 5028) Spares for:—	2	—	13/4
R E.A3.47.163	. . EYE-END (Mod. 5028)	1	—	13/3
R EEAS.234	. . PLUG, end	1	L40	13/5
SP28/G6	. . Pin, taper	4	—	13/1
E.A4.47.535	. TUBE, CONTROL, CONNECTING TO LEVER AT FRAME 16, ASSEMBLY Spares for:—	4	—	13/21
EEAS.50	. . FORK-END, adjustable	1	L40	13/20
EEAS.51	. . FORK-END	1	L40	13/18
EEAS.234	. . PLUG, end	1	L40	13/19
SP28/G6	. . Pin, taper	4	—	13/17
E.A9.47.209	. TUBE, CONTROL, SHUT-OFF COCK AND THROTTLE, ASSEMBLY Spares for:—	2	—	14/5
EEAS.234	. . PLUG, end	1	L40	14/4
SP28/G6	. . Pin, taper	2	—	14/1
EEAS.28/3/DU	. WASHER	QR	S515	14/6

CONTROLS

ENGINE CONTROLS IN CENTRE FUSELAGE

Part Number	Description 1 2 3 4 5 6	No. Off	Matl. Spec.	Plate No.

CONTROLS

FLAP OPERATING MECHANISM, PORT

Part Number	Description	No. Off	Matl. Spec.	Plate No.	
					1
—	FLAP OPERATING MECHANISM, PORT, ASSEMBLY (E.A1.20.701) Spares for:—	—	—	16/11	
E.A1.20.711	. BRACKET, flap operating jack unit support Attaching parts for E.A1.20.711:—	2	L40	16/6	
A25/10G SP15/G	. Bolt, 5/16" BSF hex. head . Washer, 5/16" BSF plain	2 2	— —	16/2 16/1	
E.A3.20.3991	. BRACKET, mounting, flap operating jack unit support (Mod. 4781) Attaching parts for E.A3.20.3991:—	4	S96	16/4	
A25/8G	. Bolt, 5/16" BSF hex. head	1	—	16/5	
E.A1.20.3129	. BRACKET, mounting, Desynn transmitter Attaching parts for E.A1.20.3129:—	1	L72	15/17	
A25/1B	. Bolt, 4 BA hex. head	6	—	15/15	
E.A3.20.1011	. LINK, CONNECTING, FLAP TO OPERATING MECHANISM, GROUP Spares for:—	4	—	16/16	
E.A3.20.1009	. . BEARING	2	—	16/16A	
E.A3.20.1007	. . BUSH	2	—	16/16B	
E.A3.20.1013	. . HOUSING, bearing	1	—	16/16C	
E.A3.20.1015	. . HOUSING, bearing	1	—	16/16D	
E.A1.20.797	. . PLATE, locking Attaching parts for E.A1.20.797:—	1	L72	16/25	
A25/9B	. . Bolt, 4 BA hex. head	2	—	16/23	
AGS2001/B/1 SP15/B	. . Nut, stiff, 4 BA . . Washer, 4 BA plain	2 2	— —	16/21 16/24	
E.A1.20.795	. . SCREW, adjusting	1	S11	16/17	
E.A1.20.791	. . WASHER, special	2	L72	16/30	
E.A3.20.2289	. PLATE, removable cover, at rib 3A for assembly of flap jack unit Attaching parts for E.A3.20.2289:—	1	L72	15/22	
A61/1C AGS2001/C/3 SP15/C	. Bolt, 2 BA hex. head . Nut, stiff, 2 BA . Washer, 2 BA plain	6 6 6	— — —	15/20 15/23 15/21	
E.A1.20.10777	. PLATE, removable cover, at rib 3 for assembly of flap jack unit Attaching parts for E.A1.20.10777:—	1	L72	15/32	
A61/1C AGS2001/C/3 SP15/C	. Bolt, 2 BA hex. head . Nut, stiff, 2 BA . Washer, 2 BA plain	6 6 6	— — —	15/30 15/33 15/31	
E.A1.20.10778	. PLATE, removable cover, at rib 3 for assembly of flap jack unit Attaching parts for E.A1.20.10778:—	1	L72	15/24	
A61/1C AGS2001/C/3 SP15/C	. Bolt, 2 BA hex. head . Nut, stiff, 2 BA . Washer, 2 BA plain	6 6 6	— — —	15/34 15/25 15/35	
E.A1.20.10779	. PLATE, removable cover at ribs 3 and 5 for assembly of flap jack unit Attaching parts for E.A1.20.10779:—	2	L72	15/11	
A61/1C AGS2001/C/3 SP15/C	. Bolt, 2 BA hex. head . Nut, stiff, 2 BA . Washer, 2 BA plain	7 7 7	— — —	15/5 15/12 15/6	

R

R
R
R
R

CONTROLS

FLAP OPERATING MECHANISM, PORT

Part Number	Description	No. Off	Matl. Spec.	Plate No.
E.A1.20.10780	. PLATE, removable cover, at rib 4 for assembly of flap jack unit Attaching parts for E.A1.20.10780:--	1	L72	15/28
A61/1C	. Bolt, 2 BA hex. head	7	—	15/26
AGS2001/C/3	. Nut, stiff, 2 BA	7	—	15/29
SP15/C	. Washer, 2 BA plain	7	—	15/27
E.A1.20.813	. ROD, PUSH, OUTBOARD FLAP CONTROL BETWEEN HINGE AND OPERATING JACK, GROUP Spares for:--	1	—	16/12
E.A1.20.839	. . BUSH, bearing	1	DTD197	16/14
E.A1.20.827	. . EYE-END, socket Attaching parts for E.A1.20.827:--	1	L40	16/13
EEAS.37/15A	. . Nipple	6	S96	16/28
EEAS.38/2A	. . Spoke	3	S94	16/22
E.A1.20.825	. . FORK-END, socket Attaching parts for E.A1.20.825:--	1	L40	16/18
EEAS.37/15A	. . Nipple	6	S96	16/28
EEAS.38/2A	. . Spoke	3	S94	16/22
AGS554	. . NIPPLE, lubricating	1	—	16/29
E.A1.20.805	. . PIN, special	1	S11	16/26
E.A1.20.807	. . PLATE, locking	1	L72	16/19
EEAS.5	. . WASHER, red fibre	1	BSS216	16/27
E.A1.20.815	. ROD, PUSH, OUTBOARD FLAP CONTROL, BETWEEN HINGE AND OPERATING JACK, GROUP Spares for this group are identical with those for group Part No. E.A1.20.813	2	—	16/7
E.A1.20.819	. ROD, PUSH, INBOARD FLAP CONTROL, BETWEEN HINGE AND OPERATING JACK CONNECTING ARM, GROUP Spares for this group are identical with those for group Part No. E.A1.20.813	1	—	16/8
E.A1.20.803	. Pin, special	1	S11	16/9
AGS.166/19	. Pin, split	1	—	16/10

FLAP OPERATING MECHANISM, PORT

Ref. No.	Part No.	Description							No. off	Matl. Spec.	Cl. of Equip. M.R. L.M.	Fig. and Index
		1	2	3	4	5	6	7				
6491	E.A1.20.3133	ROD, CONNECTING, FLAP INDICATOR							1	-	B	15/13
		MECHANISM, GROUP										
		Consisting of:-										
	28N/1045680	AGS.899/2	COLLAR					2	-	C	15/3	
		E.A1.20.881	FORK:END, R.H.					1	L1	-	15/2	
		E.A1.20.883	FORK:END, L.H.					1	L1	-	15/14	
	28M/1006473	A27/CT	NUT, 2 BA thin					1	-	C	15/1	
R	28M/4095891	A27/CTL	NUT, 2 BA thin					1	-	C	15/7	
	28P/1207864	SP.4Y/B4	PIN, shackle					2	-	C	15/9	
R	28P/1040788	SP90/C8	PIN, split					2	-	C	15/4	
	7094	E.A1.20.3157	ROD, screwed					1	L40	C	15/8	
R	6A/7101865	†	TRANSMITTER, Desynn					1	-	A	15/10	
			Attaching parts for 6A/7101865:-									
	28D/1212940	A61/2C	Bolt, 2 BA hex. head					4	-	C	15/16	
R	28M/4095802	AGS.2001/C/3	Nut, stiff, 2 BA					4	-	C	15/19	
	28W/9419475	SP15/C	Washer, 2 BA plain					3	-	C	15/18	

CONTROLS

FLAP OPERATING MECHANISM, STARBOARD

Part Number	Description	No. Off	Matl. Spec.	Plate No.
-	FLAP OPERATING MECHANISM, STARBOARD, ASSEMBLY (E.A1.20.700) Spares for:-	-	-	18/20
E.A1.20.711	. BRACKET, flap operating jack unit support Attaching parts for E.A1.20.711:-	2	L40	18/28
A25/10G SP15/G	. Bolt, 5/16" BSF hex. head . Washer, 5/16" BSF, plain	2 2	- -	18/23 18/22
E.A3.20.3991	. BRACKET, mounting, flap operating jack unit support (Mod. 4781) Attaching parts for E.A3.20.3991:-	2	S96	18/27
A25/8G	. Bolt, 5/16" BSF hex. head	1	-	18/24
E.A3.20.4009	. BRACKET, mounting, flap operating jack unit support (Mod. 4781) Attaching parts for E.A3.20.4009	2	S96	18/30
A25/8G	. Bolt, 5/16" BSF hex. head	1	-	18/25
E.A3.20.1011	. LINK, CONNECTING, FLAP TO OPERATING MECHANISM, GROUP Spares for:-	4	-	18/4
EA3.20.1009	. . BEARING	2	-	18/4A
EA3.20.1007	. . BUSH	2	-	18/4B
EA3.20.1013	. . HOUSING, Bearing	1	-	18/4C
EA3.20.1015	. . HOUSING, Bearing	1	-	18/4D
E.A1.20.797	. . PLATE, locking Attaching parts for E.A1.20.797:-	1	L72	18/12
A25/9B	. Bolt, 4 BA hex. head	2	-	18/7
AGS2001/B/1 SP15/B	. Nut, stiff, 4 BA . Washer, 4 BA plain	2 2	- -	18/9 18/8
E.A1.20.795	. . SCREW, adjusting	1	S11	18/5
E.A1.20.791	. . WASHER, special	2	L72	18/17
E.A3.20.2289	. PLATE, removable cover, at rib 3A for assembly of flap jack unit Attaching parts for E.A3.20.2289:-	1	L72	17/17
A61/1C AGS2001/C/3 SP15/C	. Bolt, 2 BA hex. head . Nut, stiff, 2 BA . Washer, 2 BA plain	6 6 6	- - -	17/15 17/18 17/16
E.A1.20.10777	. PLATE, removable cover, at rib 3 for assembly of flap jack unit Attaching parts for E.A1.20.10777:-	1	L72	17/21
A61/1C AGS.2001/C/3 SP15/C	. Bolt, 2 BA hex. head . Nut, stiff, 2 BA . Washer, 2 BA plain	6 6 6	- - -	17/19 17/22 17/20
E.A1.20.10778	. PLATE, removable cover, at rib 3 for assembly of flap jack unit Attaching parts for E.A1.20.10778:-	1	L72	17/13
A61/1C AGS2001/C/3 SP15/C	. Bolt, 2 BA hex. head . Nut, stiff, 2 BA . Washer, 2 BA plain	6 6 6	- - -	17/11 17/14 17/12
E.A1.20.10779	. PLATE, removable cover, at ribs 3, 4 and 5 for assembly of flap jack unit Attaching parts for E.A1.20.10779:-	2	L72	17/1
A61/1C AGS2001/C/3 SP15/C	. Bolt, 2 BA hex. head . Nut, stiff, 2 BA . Washer, 2 BA plain	7 7 7	- - -	17/4 17/6 17/5

CONTROLS

FLAP OPERATING MECHANISM, STARBOARD

Part Number	Description	No. Off	Mati. Spec.	Plate No.
E.A1.20.10780	PLATE, removable cover, at ribs 3, 4 and 5 for assembly of flap jack unit	1	L72	17/9
A61/1C	Attaching parts for E.A1.20.10780:—			
AGS2001/C/2	Bolt, 2 BA hex. head	7	—	17/7
SP15/C	Nut, stiff, 2 BA	7	—	17/10
	Washer, 2 BA plain	7	—	17/8
E.A1.20.817	ROD, PUSH, OUTBOARD FLAP CONTROL, BETWEEN FLAP HINGE AND OPERATING JACK, GROUP Spares for:—	1	—	18/1
E.A1.20.839	BUSH, bearing	1	DTD197	18/3
E.A1.20.827	EYE-END, socket	1	L40	18/2
	Attaching parts for E.A1.20.827:—			
EEAS.37/15A	Nipple	6	S96	18/16
EEAS.38/2A	Spoke	3	S94	18/11
E.A1.20.825	FORK-END, socket	1	L40	18/10
	Attaching parts for E.A1.20.825:—			
EEAS.37.15A	Nipple	6	S96	18/16
EEAS.38/2A	Spoke	3	S94	18/11
AGS.554	NIPPLE, lubricating	1	—	18/15
E.A1.20.805	PIN, special	1	S11	18/13
E.A1.20.807	PLATE, locking	1	L72	18/6
EEAS.5	WASHER, red fibre	1	BSS216	18/14
E.A1.20.869	ROD, PUSH, INBOARD FLAP CONTROL, BETWEEN HINGE AND OPERATING JACK CONNECTING ARM, GROUP Spares for this group are identical with those for group Part No. E.A1.20.817	1	—	18/19
E.A1.20.889	ROD, PUSH, INBOARD FLAP CENTRE WING, GROUP Spares for this group are identical with those for group Part No. E.A1.20.817	1	—	18/18
E.A1.20.891	ROD, PUSH, FLAP, OUTER WING, GROUP Spares for this group are identical with those for group Part No. E.A1.20.817	1	—	18/21
E.A1.20.803	Attaching parts for E.A1.20.817, 869, 889 and 891			
AGS166/19	Pin, special	1	S11	17/2
	Pin, split	1	—	17/3

CONTROLS
FLYING CONTROLS IN COCKPIT

Part Number	Description	No. Off	Matl. Spec.	Plate No.
-	CONTROLS, FLYING, IN COCKPIT, ASSEMBLY (EG7.45.3) Spares for:-	-	-	
EEAS13/1	. BOLT, special, control tube connecting	11	S96	3/1
EEAS14	. BUSH, special spacing, at control tube joints	11	S96	3/3
12G/9635203	. CHARGE H.E. emergency	1	-	3/2
-	CONTROLS, ON PILOT'S FLOOR, ASSEMBLY (EG7.45.5) Spares for:-	-	-	
R EA3.45.247	. . . AILERON BIAS, ASSEMBLY Spares for:-	1	-	6/13
R 5W/4520730 ACTUATOR, linear, type 259, Mk.2 Attaching parts for 5W/4520730:-	1	-	6/36
EA6.45.345 Bolt, shouldered	1	S42	6/25
A25/3E Bolt, 1/4" BSF hex. head	1	-	6/27
A27/ES Nut, 1/4" BSF, slotted	2	-	6/34
SP90/C7 Pin, split	2	-	6/30
EA6.45.337 ANGLE	1	L72	6/29
EA6.45.338 ANGLE Attaching parts for EA6.45.337 and EA6.45.338:-	1	L72	6/35
A25/2C Bolt, 2 BA hex. head	2	-	6/37
A25/1C Bolt, 2 BA hex. head	4	-	6/23
AGS2001/C/1 Nut, stiff, 2 BA	6	-	6/24
SP13/C Washer, 2 BA plain	4	-	6/28
R SP8Y/16 ROLLER	1	-	6/31
EA6.45.335 TUBE, torque and levers, assembly Attaching parts for EA6.45.335:-	1	DTD124	6/22
EA6.45.343 Bolt, shouldered	1	S42	6/20
EA6.45.341 Bush, oilite	2	Round Bar	6/26
A27/ES Nut, 1/4" BSF slotted	1	-	6/33
SP90/C7 Pin, split	1	-	6/32
SP42/G Washer, tab	1	-	6/21
EG7.45.69	. . . COLUMN, CONTROL, PILOT'S, GROUP (Mod.4956) Spares for:-	1	-	5/59
HOFFMANN T17 BEARING, ballrace, aileron control	1	-	5/58
HOFFMANN T25 BEARING, ballrace, pilot's hand grip	1	-	5/43
EA6.45.291 BLOCK, brake cable adjusting Attaching parts for EA6.45.291:-	1	L40	4/13
AS1242/8C Bolt, 2 BA c'sk head	1	-	4/12
A27/CS Nut, 2 BA slotted	1	-	4/19
SP90/C7 Pin, split	1	-	4/31
A33/C24 Screw, 2 BA c'sk head	2	-	4/22
SP15/C Washer, 2 BA plain	1	-	4/17

CONTROLS
FLYING CONTROLS IN COCKPIT

Part Number	1 2 3 4 5 6	Description	No. Off	Mati. Spec.	Plate No.
EA1.45.107	BUSH, main bearing at bottom casting	1	L40	4/30
EA3.45.473	CABLE, brake	1	-	5/32
		Spares for:-			
R ACO1352	NIPPLE, swaged (SAS4797)	2	-	5/32A
or					
R MPP1505	NIPPLE, swaged (SAS4797)	2	-	
		Attaching parts for EA3.45.473			
AGS899/2	Collar	1	-	5/3
SP47/B9	Pin,shackle	1	-	5/4
SP90C5	Pin,split	1	-	5/22
EG7.82.633	CABLE, ASSEMBLY, UA60, No.13, FROM 'PRESS TO TRANSMIT' SWITCH ON CONTROL COLUMN TO PILOT'S PITOT SWITCH T/B GROUP	1	-	6/15
		Consisting of:-			
UNIFLEXPREN 6	CABLE, uniflexpren 6	QR	-	
EEAS146/20	SLEEVE, 1/2" long	QR	-	
EEAS146/2	SLEEVE, 1-1/2" long	QR	-	
PAGE ENG.					
B1640	SWITCH, "press to transmit"	1	-	6/14
HC294	TAG, ring tongue	3	-	
R E1659	TUBING, 1/4" o/d x .040 wall	QR	-	
EA3.81.637/1	CABLE ASSEMBLY N69B	1	-	
or					
EA3.81.6779	CABLE ASSEMBLY N69B	1	-	
BOWDEN 6/40	CLIP, pliable, brake cable	1	-	5/62
EA6.45.245	COLUMN, CONTROL, SUB-ASSEMBLY	1	-	5/52
		Consisting of:-			
EA6.45.247	CASTING, top	1	DTD300	5/56
EA1.45.1021	TUBE, 2-1/4" o/d x 20 SWG	1	T45	5/61
EA1.45.91	YOKE, bottom casting	1	DTD300	5/70
EA3.45.539	CONTROL, ELEVATOR, GROUP (Mod.4491)	1	-	4/35
		Spares for:-			
HOFFMANN					
T.33	BEARING, ball, journal	1	-	4/8
EA1.45.177	DIAPHRAGM, ballrace housing mounting	1	DTD340	4/7
EA1.45.175	HOUSING, ballrace	1	L45	4/9
		Attaching parts for EA1.45.175:-			
AS1242/3C	Bolt, 2 BA c'sk head	8	-	4/5
A27/CS	Nut, 2 BA slotted	8	-	4/16
SP90/C5	Pin, split	8	-	4/20
EA3.45.515	Ring, clamp	1	L72	4/6
SP15/C	Washer, 2 BA plain	8	-	4/18
EA3.45.523	LEVER, ELEVATOR OPERATING, GROUP	1	-	4/2
		Consisting of:-			
SKEFCO CBA2	BEARING, ballrace	1	-	4/4
EEAS3/D	HOUSING, bearing	1	L40	4/1
EA3.45.519	LEVER	1	L40	4/14
EEAS4/20C	WASHER, packing	2	L72	4/3
		Attaching parts for EA3.45.523:-			
AS1242/5E	Bolt, 1/4" BSF c'sk head	8	-	4/10
A27/ES	Nut, 1/4" BSF, slotted	8	-	4/26
SP90/C5	Pin, split	8	-	4/27
EA3.45.517	Ring, clamp	1	L72	4/11
SP16/E	Washer, 1/4" BSF plain	8	-	4/21
EA1.45.173	SLEEVE, lever mounting	1	L40	4/25
		Attaching parts for EA1.45.173:-			
A59/22G	Bolt, 5/16" BSF hex. head	3	-	4/29
A27/GS	Nut, 5/16" BSF slotted	3	-	4/48
SP90/C7	Pin, split	3	-	4/49
AS1903/G16	Washer, saddle	6	-	4/46
SP16/G	Washer, 5/16" BSF plain	3	-	4/47

FLYING CONTROLS IN COCKPIT

Ref. No.	Part No.	Description	No. off	Matl. Spec.	Cl. of Equip. M.R. L.M.	Fig. and Index
6225	E.A1.45.105	SOCKET, mounting, elevator control to control column	1	L40	C	4/39
		Attaching parts for E.A1.45.105:-				
28D/1213439	A59/22G	Bolt, 5/16" BSF hex. head	3	-	C	4/24
28M/5808571	A27/GS	Nut, 5/16" BSF slotted	3	-	C	4/45
28P/9527619	SP90/C7	Pin, split	3	-	C	4/44
R 28W/46070850	AS1903/G16	Washer, saddle	6	-	C	4/40
28W/9419488	SP16/G	Washer, 5/16" BSF plain	3	-	C	4/43
	E.A1.45.171	TUBE, torque, connecting socket and lever, 2" o/d x 14 SWG	1	T4	-	4/28
		Attaching parts for E.A3.45.539:-				
1021	E.A1.45.1153	Bolt, special	1	S11	C	4/23
28M/1011467	A27/JS	Nut, 3/8" BSF slotted	1	-	C	4/34
28P/9527619	SP90/C7	Pin, split	1	-	C	4/37
77	E.A1.45.1025	FORK-END, control column	1	S94	C	5/68
		Attaching parts for E.A1.45.1025:-				
1572	EEAS.37/1A	Nipple, 6 BA	4	S96	C	5/66
1570	EEAS.38/1A	Spoke, 6 BA (Make from 28R/6123)	2	S94	LM	5/67
R 5CW/4408141	1320Z2	GROMMET	1	-	C	
	E.A6.45.267	GEAR, bevel (Supplied with tube, Ref. 38087)	1	S96	-	5/49
21214	E.A6.45.265	HOUSING, control column	1	S11	C	5/41
6190	E.A1.45.1059	LABEL, "quadrant to mesh centrally with control unit"	1	L72	C	5/42
1132	E.A6.45.215	LEVER, BRAKE CABLE OPERATING, GROUP	1	-	B	5/28
		Spares for:-				
1134	E.A6.45.217	CAP, collar member	1	DTD216	C	5/35
1133	E.A6.45.219	COLLAR, fulcrum pin retaining	1	L40	C	5/37
		Attaching parts for E.A6.45.215:-				
28N/1045680	AGS.899/2	Collar	2	-	C	5/2
28P/1013002	SP4Y/B9	Pin, shackle	2	-	C	5/5
28P/9486478	SP90/C5	Pin, split	2	-	C	5/1
6211	E.A6.45.289	LEVER, pilot's brake operating	1	Mag. Alloy	C	5/6
		Attaching parts for E.A6.45.289:-				
28N/1045680	AGS.899/2	Collar	2	-	C	5/8
R 28P/7119888	SP4Y/B14	Pin, shackle	1	-	C	5/9
R 28P/4666844	SP4Y/B15	Pin, shackle	1	-	C	5/13
28P/9486478	SP90/C5	Pin, split	2	-	C	5/23
28W/9419475	SP15/C	Washer, 2 BA plain	1	-	C	5/12
2890	E.A3.45.257	LUG, pilot's brake lever	1	L40	C	5/11
20667	E.A6.45.249	MECHANISM, BRAKE OPERATING, GROUP	1	-	B	5/69
		Consisting of:-				
1136	E.A6.45.285	PIN, fulcrum, brake lever cable operating	1	S92	C	5/53
1457	E.A6.45.255	PLUG, screwed, pin retaining	1	L40	C	5/60
	E.A6.45.253	PLUNGER	1	L40	-	5/55
	E.A6.45.251	SHAFT	1	S94	-	5/54
80	E.A1.45.679	SPRING	1	DTD215	C	5/57
	E.G7.45.41	MOUNTING, AIR BRAKE SWITCH OVER-SHOOT STOP, ASSEMBLY	1	-	-	5/24
		Spares for:-				
	E.B6.81.877	BRACKET, clip	1	L72	-	5/14

CONTROLS

FLYING CONTROLS IN COCKPIT

Ref. No.	Part No.	Description							No. off	Matl. Spec.	Cl. of Equip. M.R. L.M.	Fig. and Index
		1	2	3	4	5	6	7				
	E.86.81.2253								1	-	-	5/15
28M/1086618	AGS.2002/B/1											
28S/9419453	A31/B14								2	-	C	5/16
28W/9419465	SP13/B								3	-	C	5/17
									2	-	C	5/18
	E.G7.45.35								1	L72	-	5/19
	E.G7.45.89								1	L72	-	5/20
28S/1007469	A33/B14								2	-	C	5/21
1454	E.A6.45.263								1	L40	C	5/47
1455	E.A6.45.269								1	L40	C	5/46
1456	E.A6.45.271								1	L40	C	5/44
6226	E.A1.45.153								2	DTD390	C	4/15
28S/9419435	A31/B12								2	-	C	4/32
28W/9416642	SP47/B								2	-	C	4/33

CONTROLS
FLYING CONTROLS IN COCKPIT

Part Number	Description 1 2 3 4 5 6	No. Off	Mati. Spec.	Plate No.

CONTROLS
FLYING CONTROLS IN COCKPIT

Part Number	Description	No. Off	Matl. Spec.	Plate No.
EA3.45.259	. . . PLATE, brake locking	1	L72	5/29
EA3.45.261	. . . PLATE, brake mechanism retaining	1	L72	5/27
AS1248/8C	. . . Bolt, 2BA mushroom head	3	—	5/45
AGS2002/C/1	. . . Nut, stiff, 2BA	3	—	5/39
EEAS1/1C	. . . Screw, 2BA 120° c'sk head	2	S96	5/10
EA6.45.273	. . . PLATE, cover, brake mechanism	1	L40	5/51
EA6.45.287	. . . PLUNGER, brake mechanism operating	1	L65	5/25
EA3.45.265	. . . RING, brake mechanism locking	1	L40	5/31
EA1.31.277	. . . SHIM, brake mechanism cover plate	4	Lam Alum.	5/48
or				
EEAS27/8/4B				
EA1.45.123	. . . SOCKET, conduit, brake cable adjuster	1	L40	5/64
EA1.45.1029	. . . SPHERE, control column locating	1	DTD265	4/36
EA3.45.263	. . . SPRING, locking plate compression	1	DTD215	5/34
EB6.81.859	. . . STOP, air brake switch overshoot	1	—	5/33
R EA3.45.5097	. . . SUPPORT, CONTROL COLUMN CASTING, GROUP (Mod.4956) (Mod.5028) Spares for:	1	—	4/52
HOFFMANN T17	. . . BEARING, ballrace, control column	2	—	4/41
HOFFMANN T25	. . . BEARING, ballrace, between sleeve and support column	2	—	4/42
EA1.45.1033	. . . BOLT, special, aileron operating lever sprocket mounting sleeve fixing	3	S11	4/54
R EA3.45.711	. . . CASTING, control column support (Mod.5028)	1	—	4/50
EA1.45.1027	. . . FORK-END	1	S11	4/38
EA1.45.961	. . . LEVER, AILERON OPERATING, GROUP Consisting of:	1	—	4/57
SKEFCO				
CBA2	. . . BEARING, ballrace	1	—	4/64
EA1.45.483	. . . COLLAR, distance, between lever	1	L64	4/67
AGS798/E	. . . EYE-BOLT, 1/4" BSF	1	—	4/68
EEAS3/D	. . . HOUSING, ballrace	1	L65	4/59
EA1.45.959	. . . LEVER, operating	1	DTD683	4/65
A27/EP	. . . NUT, 1/4" BSF plain	1	—	4/66
EEAS4/20C	. . . WASHER, packing	2	DTD610	4/62
EEAS37/1A	. . . NIPPLE, 6BA	4	S96	4/60
A27/CP	. . . NUT, 2BA plain	4	—	4/58

CONTROLS

FLYING CONTROLS IN COCKPIT

Part Number	Description	No. Off	Matl. Spec.	Plate No.
A27/CT	NUT, 2BA thin	2	-	4/51
EA3.45.5099	SLEEVE, sprocket mounting (Mod.4956)	1	L40	4/63
EEAS38/1A	SPOKE, 6BA (Make from 28R/6123)	2	S94	4/61
EA1.45.619	SPROCKET	1	L40	4/56
EA1.45.165	STUD, mounting	2	DTD126A	4/53
EA1.45.993	TUBE, distance, between sprocket and casting, 22 swg	1	T4	4/55
D10001	SWITCH, 3-way	1	-	5/7
	Attaching parts for D10001:			
A32/B8	Screw, 4BA round head	2	-	5/30
or 1260-2-001C	SWITCH	1	-	
EA9.00.159	TUBE, INNER AILERON OPERATING, GROUP (EA1.45.971) Consisting of:	1	-	5/63
HOFFMANN T29	BEARING, ballrace	1	-	5/38
EEAS37/13A	NIPPLE, 6BA	4	S96	5/36
EEAS38/1A	SPOKE, 6BA	2	S94	5/50
EA1.45.1023	TUBE, operating, 1 1/4" o/d x 14 swg	1	T45	5/65
EA6.45.261	WASHER, special	1	L40	5/26
EA3.45.413	WASHER, special	1	Alum.	5/40
EG7.45.23	WHEEL, PILOT'S CONTROL, ASSEMBLY Spares for:-	1	-	6/8
EA3.81.351	CLAMP, intercom wiring Attaching parts for EA3.81.351:	2	L40	6/17
A32/A16	Screw, 6BA round head	2	-	6/19
A33/B12	Screw, 4BA c'sk head	1	-	6/11
AGS2035/A	Washer, 6BA shakeproof	2	-	6/18
EB6.45.65	COVER, switch mounting Attaching parts for EB6.45.65:	1	L72	6/3
A41/B8	Screw, 4BA cheese head	2	-	6/1
EB6.45.57	MOUNTING, tailplane trim and isolating switches Attaching parts for EB6.45.57	1	L65	6/5
A33/B14	Screw, 4BA c'sk head	2	-	6/7
EG7.45.27	PIECE, distance, for intercom switch	1	L54	6/10
EG7.45.33	PLATE, cover, intercom switch Attaching parts for EG7.45.33:	1	L59	6/6
A33/A8	Screw, 6BA c'sk head	2	-	6/9
5F/9143294	SLEEVE, PVC, 7mm x .5 mm wall	QR	-	6/16
DUNLOP ACM24484/7	SWITCH, isolating	1	-	6/4
DUNLOP AC14834/7	SWITCH, 2-way, tail trim	1	-	6/2
EB6.45.55	WHEEL, hand	1	DTD721	6/12
EA3.45.109	COVER, sealing pilot's control column	1	-	10/1

CONTROLS
FLYING CONTROLS IN COCKPIT

Part Number	Description	No. Off	Mtl. Spec.	Plate No.
EA3.45.5071 ALTS. TO PILOT'S RUDDER PEDALS	—	—	—
EA3.45.5227 PEDALS, PILOT'S RUDDER CONTROL, GROUP (Mod.4956)	1	—	8/34
	Consisting of:			
EA3.45.5085 BEARING, c/w housing and ballrace	1	—	8/31
A25/4E BOLT, 1/4" BSF hex. head	8	—	8/26
AS1242/3C BOLT, 2BA c'sk head	8	—	8/45
EEAS95/16G BOLT, special	2	—	8/46
— CABLE, RUN, BRAKES (EA3.45.457)	—	—	7/34
	Spares for:			
EA3.45.461 BLOCK, pulley support	1	L40	7/7
	Attaching parts for EA3.45.461:			
EA3.45.465 Block, tapped	1	S92	7/28
EA3.45.467 Block, tapped	1	S92	7/11
A25/1C Bolt, 2BA hex. head	4	—	7/5
EA3.45.171 BRACKET, lower pulley and cable guard	1	L72	7/36
	Attaching parts for EA3.45.171:			
A25/1C Bolt, 2BA hex. head	2	—	7/31
A27/CP Nut, 2BA plain	2	—	7/33
EA3.45.173 BRACKET, upper pulley	1	L72	7/26
	Attaching parts for EA3.45.173:			
A25/1C Bolt, 2BA hex. head	2	—	7/24
A27/CP Nut, 2BA plain	2	—	7/23
EA3.45.463 GUIDE, cable	1	S92	7/29
	Attaching parts for EA3.45.463:			
A25/1/2B Bolt, 4BA hex. head	1	—	7/10
A25/4B Bolt, 4BA hex. head	1	—	7/22
SP13/B Washer, 4BA plain	2	—	7/4
AS111 PULLEY, at brake control valve	1	—	7/27
	Attaching parts for AS111:			
A25/5E Bolt, 1/4" BSF hex. head	1	—	7/21
A27/ES Nut, 1/4" BSF slotted	1	—	7/38
SP90/C8 Pin, split	1	—	7/35
SP13/E Washer, 1/4" BSF plain	1	—	7/32
EA3.45.459 PULLEY, assembly	1	—	7/30
	Attaching parts for EA3.45.459:			
A25/7E Bolt, 1/4" BSF hex. head	1	—	7/6
EA3.45.469 Washer, thrust	2	L40	7/14
EA3.45.5089 CLAMP, ring	1	—	8/47
EA3.16.5037 DIAPHRAGM, lower	1	—	8/48
EA3.45.5073 LEVER AND SPROCKET ASSEMBLY	1	—	8/35
or				
EA3.45.5075 LEVER AND BOSS ASSEMBLY (Preferred alternative for spares)	1	—	8/36
	Spares for:			
EA3.45.5081 BOSS	1	—	8/37
EA3.45.5083 CLAMP, ring	1	—	8/38
EA3.45.5217 LEVER	1	—	8/39
EA3.45.5079 SPROCKET	1	—	8/40
	Attaching parts:			
AS1242/10C Bolt, 2BA c'sk head	10	—	8/41
A27/CS Nut, 2BA slotted	10	—	8/42
SP90/C5 Pin, split, 1/16" x 5/8" long	10	—	8/43
SP13/C Washer, 2BA plain	10	—	8/44

CONTROLS
FLYING CONTROLS IN COCKPIT

Ref. No.	Part No.	Description							No. off	Matl. Spec.	Cl. of Equip. M.R. L.M.	Fig. and Index
		1	2	3	4	5	6	7				
28M/5808573	A27/CS	NUT, 2 BA slotted							8	—	C	8/49
28M/5808571	A27/GS	NUT, 5/16" BSF slotted							2	—	C	8/50
28P/9486478	SP90/C5	PIN, split, 1/16" x 5/8" long							8	—	C	8/51
28P/1040788	SP90/C8	PIN, split, 1/16" x 1" long							2	—	C	8/52
28W/9486478	SP13/C	WASHER, 2 BA plain							8	—	C	8/53
28W/9419403	SP13/G	WASHER, 5/16" BSF plain							2	—	C	8/54
R 6119303	E.A3.45.5091	WASHER, saddle							4	—	C	8/56

FLYING CONTROLS IN COCKPIT

Part Number	Description						No. Off	Mati. Spec.	Plate No.
	1	2	3	4	5	6			
EA3.45.253	PEDALS, PILOT'S RUDDER CONTROL, GROUP					1	-	8/32
		Spares for:-							
HOFFMANN									
T21	BEARING, ballrace					1	-	8/24
AS2209	BOLT, pedal pivot					2	-	8/22
AS2203	BOLT, pivot					2	-	8/27
AS2202	BOLT, pivot					1	-	8/15
AS2196	BOLT, special					4	-	8/7
AS3399	BOLT, special taper					2	-	8/11
AS2226	BUSH, lower					1	-	8/14
AS2180	BUSH, upper					1	-	8/12
AS2178	COLLAR, for adjusting worm					1	-	8/9
AS2231	LINK					4	-	8/17
AS2206	LINK, bar					2	-	8/13
AS2224	NUT, cap					1	-	8/3
AS2197	NUT, special					4	-	8/20
A24/EP	NUT, 1/4" BSF plain					3	-	8/27B
A24/ES	NUT, 1/4" BSF slotted					2	-	8/4B
A24/JS	NUT, 3/8" BSF slotted					2	-	8/22A
A24/CS	NUT, 2BA slotted					3	-	8/27A
AS46745	PEDAL, GROUP (Alt.R60/49) (Mod.5101)					1	-	8/28
		Spares for:-							
AS46744	STIRRUP					1	-	8/16
AS46746	PEDAL, GROUP (Alt.R60/49) (Mod.5101)					1	-	8/2
		Spares for:-							
AS46744	STIRRUP					1	-	8/1
AS2191	PEDESTAL					1	-	8/29
AS2210	PIECE, distance					2	-	8/18
SP90/C5	PIN, split					7	-	8/27C
SP90/E10	PIN, split					1	-	8/3A
SP90/C7	PIN, split					4	-	8/4A
AS2189	PLATE, support					1	-	8/23
		Attaching parts for AS2189:-							
A25/1C	Bolt, 2BA hex. head					4	-	8/19
AS2242	Washer, tab					1	-	8/21
AS2179	PLATE, wheel adjustment					1	-	8/6
AS2181	SHIM, packing				QR		-	8/3B
AS2412	SLEEVE, screwed					1	-	8/8
SP14/C	WASHER					3	-	8/27D
SP15/E	WASHER					3	-	8/27E
AS2411	WORM, adjusting					1	-	8/10
AS2188	SPINDLE					1	-	8/25
AS3398	WASHER					2	-	8/4
AS2177	WHEEL, adjusting					1	-	8/5

CONTROLS
FLYING CONTROLS IN COCKPIT

Part Number	1 2 3 4 5 6	Description	No. Off	Matl. Spec.	Plate No.
R EA3.45.249	UNIT, BRAKE CONTROL, GROUP	2	—	7/39
		Spares for:			
R EA3.45.251	BRACKET, brake unit support	1	L72	7/40
		Attaching parts for EA3.45.251:			
R A25/1C	Bolt, 2BA, hex. head	6	—	7/37
R EA3.45.189	CAM, plate guide	2	L40	7/25
		Attaching parts for EA3.45.189:			
R A25/4C	Bolt, 2BA hex. head	2	—	7/20
R AS1242/4C	Bolt, 2BA c'sk. head	1	—	7/19
R SP47/C	Washer, 2BA spring	2	—	7/17
R EA3.45.191	LEVER, brake valve operating	1	S96	7/13
		Attaching parts for EA3.45.191:			
R A25/6C	Bolt, 2BA hex. head	1	—	7/15
R A27/CS	Nut, 2BA slotted	1	—	7/1
R SP90/C8	Pin, split	1	—	7/8
R EA3.45.193	LINK	1	S11	7/12
		Attaching parts for EA3.45.193:			
R AGS899/2	Collar, shackle pin	2	—	7/2
R EA3.45.195	Pin, special	1	S11	7/18
R SP4/Y/B11	Pin, shackle	1	—	7/3
R SP90/C8	Pin, split	2	—	7/9
R SP15/C	Washer, 2BA plain	1	—	7/16

CONTROLS
FLYING CONTROLS IN COCKPIT

Ref. No.	Part No.	1 2 3 4 5 6 7	Description	No. off	Matl. Spec.	Cl. of Equip. M.R. L.M.	Fig. and Index

CONTROLS

FLYING CONTROLS IN COCKPIT

Part Number	Description	No. Off	Matl. Spec.	Plate No.
EA1.45.351	. . . RING, sealing, outboard	1	L45	9/32
EA1.45.353	. . . RING, sealing, centre	1	L45	9/34
EA1.45.355	. . . RING, sealing, outboard	1	L45	9/35
	Attaching parts for EA3.45.537:			
A25/4C	. . Bolt, 2BA hex. head	2	-	9/16
A25/3C	. . Bolt, 2BA hex. head	6	-	9/17
AGS2001/C/1	. . Nut, stiff, 2BA	8	-	9/15
EA3.45.25	. . SEAL, rubber, between control lever casing and pressure bulkhead	1	-	9/38
EA3.45.543	. MOUNTING, ELEVATOR CONTROL LEVER, GROUP (Mod.4491) (Ref.8191 modified) Spares for:	1	-	3/28
HOFFMANN T17	. . BEARING, ballrace	2	-	3/14
EA3.45.103	. . BOBBIN, lever mounting	1	L40	3/23
EA1.45.267	. . HOUSING, ballrace, inboard control shaft Attaching parts for EA1.45.267:	1	L40	3/17
AS1242/3C	. . Bolt, 2BA c'sk head	6	-	3/18
EA3.45.513	. . Ring, clamp	1	L72	3/19
EA3.45.533	. . LEVER, ELEVATOR, OPERATING, GROUP (Ref.33182 modified) Consisting of:	1	-	3/33
SKEFCO CBA2	. . . BEARING, ballrace	2	-	3/7
EEAS3/D	. . . HOUSING, ballrace	2	L65	3/12
EA3.45.527	. . . LEVER	1	L40	3/27
EEAS4/20C	. . . WASHER, special, packing Attaching parts for EA3.45.533:	4	L72	3/16
AS1242/4E	. . Bolt, 1/4" BSF c'sk head	6	-	3/29
A27/ES	. . Nut, 1/4" BSF slotted	6	-	3/30
SP90/C5	. . Pin, split	6	-	3/31
SP16/E	. . Washer, 1/4" BSF plain	6	-	3/32
EEAS37/14A	. . NIPPLE, 4BA	4	S96	3/9
EEAS37/16A	. . NIPPLE, 2BA	2	S96	3/25
EA1.45.271	. . SHAFT, control mounting	1	L40	3/20
EEAS38/2A	. . SPOKE, 4BA (Make from 28R/6124)	2	S94	3/21
EEAS38/3A	. . SPOKE, 2BA (Make from 28R/6328)	1	S94	3/22
EEAS63/E	. NUT, special, control tube connecting bolt	11	S96	3/6
EEAS127	. PIECE, distance, control tube connecting	11	S96	3/5

R

CONTROLS

FLYING CONTROLS IN COCKPIT

Part Number	Description	No. Off	Mati. Spec.	Plate No.
-	. SNATCH-UNIT, INSTALLATION (EA3.45.545) (Mod.4435) Spares for:-	-	-	10/4
EA1.45.609	. . BRACKET	1	-	10/13
MARTIN BAKER D/MBEU/1806/EE	. . BUSH	1	-	10/10
or EA3.45.437	. . BUSH	1	T35	10/11
AGS2002/E/1	. . NUT, stiff, 1/4" BSF	2	-	10/7
SP90/C5	. . PIN, split	1	-	10/3
MARTIN BAKER MBCJ/2106	. . SNATCH-UNIT	1	-	10/2
MARTIN BAKER A/MBEU/1805/EE	. . STUD	1	-	10/8
or EA1.45.613	. . STUD	1	L40	10/9
EA1.45.611	. . SUPPORT Attaching parts for EA1.45.611:-	1	LFS26	10/6
A25/4C	. . Bolt, 2BA hex. head	4	-	10/5
AGS2001/C/1	. . Nut, stiff, 2BA	4	-	10/12
HELLERMAN INSULOID LKOX-HS-B	. . TIE, cable, insulox black	QR	-	
EA3.45.651	. TUBE, ELEVATOR, ASSEMBLY (Mod.4930) (Pre-Mod.5473)	1	-	3/26
EA3.45.727	. TUBE, CONTROL, ELEVATOR, ASSEMBLY (Mod.5473) Spares for:-	1	-	
EEAS.47/2	. . FITTING, adjuster	1	L40	3/4
EA3.45.665	. TUBE, RUDDER, ASSEMBLY (Mod.4930) (Pre-Mod.5473)	1	-	3/10
EA3.45.735	. TUBE, CONTROL, RUDDER, ASSEMBLY (Mod.5473)	1	-	
EA3.45.661	. TUBE, AILERON, ASSEMBLY (Mod.4930) (Pre-Mod.5473)	1	-	3/15
EA3.45.733	. TUBE, CONTROL, AILERON, ASSEMBLY (Mod.5473) Spares for:-	1	-	
EA3.45.657	. . TUBE, ASSEMBLY, FORWARD (Mod.4930) (Pre-Mod.5473)	1	-	
EA3.45.823	. . TUBE, ASSEMBLY, FORWARD (Mod.5473)	1	-	
EA3.45.659	. . TUBE, ASSEMBLY, AFT (Mod.4930) (Pre-Mod.5473)	1	-	3/11
EA3.45.825	. . TUBE, ASSEMBLY, AFT (Mod.5473) Spares for:-	1	-	
EA3.45.663	. . . TUBE, AFT (Mod.4930)	1	-	3/24

CONTROLS

FLYING CONTROLS IN COCKPIT

Part Number	Description	No. Off	Matl. Spec.	Plate No.
R EA3.45.667	. TUBE, CONTROL, ASSEMBLY (Mod.4930) (Pre-Mod.5473)	1	-	3/14
EA3.45.737	. TUBE, CONTROL, ASSEMBLY (Mod.5473) Spares for:-	1	-	
EEAS.47/2	. . FITTING, adjuster	1	L40	3/4
R EA3.45.669	. TUBE, CONTROL, ASSEMBLY (Mod.4930) (Pre-Mod.5473)	3	-	3/8
EA3.45.739	. TUBE, CONTROL, ASSEMBLY (Mod.5473) Spares for:-	3	-	
EEAS.47/2	. . FITTING, adjuster	1	L40	3/4

CONTROLS

FLYING CONTROLS IN COCKPIT

Part Number	Description 1 2 3 4 5 6	No. Off	Matl. Spec.	Plate No.

FLYING CONTROLS IN CENTRE FUSELAGE

Part Number	Description	No. Off	Mati. Spec.	Plate No.
R -	CONTROLS, FLYING, IN CENTRE FUSELAGE, ASSEMBLY (EA3.45.379) Spares for: -	-	-	19/1
R EA3.00.5427	. LEVER, AILERON MOUNTING, AT FRAME 22, ASSEMBLY (EA3.45.5105) (Mod.4956) Spares for: -	1	-	19/2
R EA3.45.5107	. . . LEVER ASSEMBLY Spares for: -	1	-	19/3
R T21	. . . BEARING	2	-	19/4
R EA3.45.5161	. . . GUARD Attaching parts for EA3.45.5161: -	1	-	19/11
R A25/1/2C	. . . Bolt, 2BA	4	-	19/12
R A25/1C	. . . Bolt, 2BA	4	-	19/13
R EA3.45.5153	. . . HOUSING Attaching parts for EA3.45.5153: -	2	-	19/14
R A25/2C	. . . Bolt, 2BA	8	-	19/15
R EA3.45.5109	. . . LEVER assembly, top Attaching parts for EA3.45.5109: -	1	-	19/5
R AS1242/4E	. . . Bolt, 1/4" BSF	4	-	19/16
R A27ES	. . . Nut, 1/4" BSF	4	-	19/17
R SP90C5	. . . Pin, split	4	-	19/18
R SP13E	. . . Washer	4	-	19/19
R EA3.45.5113	. . . LEVER assembly, bottom Attaching parts for EA3.45.5113: -	1	-	19/6
R AS1242/5E	. . . Bolt, 1/4" BSF	6	-	19/20
R A27ES	. . . Nut, 1/4" BSF	6	-	19/21
R SP90C5	. . . Pin, split	6	-	19/22
R EA3.45.5155	. . . Ring, clamp	1	L56	19/23
R SP13E	. . . Washer	6	-	19/24
R EA3.45.5121	. . . PLATE assembly, bottom	1	-	19/25
R EA3.45.5117	. . . PLATE assembly, top	1	-	19/26
R EA3.45.5151	. . . SPINDLE	1	S92	19/27
R EA3.45.5157	. . . SPOOL, retaining spindle Attaching parts for EA3.45.5157: -	1	L65	19/28
R EA3.45.5159	. . . Bolt, shouldered, 2BA	1	S97	19/29
R EEAS.95/16E	. . . Bolt, 1/4" BSF	1	-	19/30
R A27CS	. . . Nut, 2BA	1	-	19/31
R A27ES	. . . Nut, 1/4" BSF	1	-	19/32
R SP90C5	. . . Pin, split	2	-	19/33
R EA3.45.5167	. . . Washer, saddle (Make from AS1903E12)	4	-	19/34
R SP13C	. . . Washer (if required) Attaching parts for EA3.00.5427: -	1	-	19/35
R A25/1C	. Bolt, 2BA	14	-	19/36
R A25/2C	. Bolt, 2BA	10	-	19/37
R A25/11C	. Bolt, 2BA	2	-	19/38
R AGS2001C1/66	. Nut, 2BA	14	-	19/39
R EA3.45.5209	. Washer, profile, 12 SWG	2	L72	19/53
R SP13C	. Washer	28	-	19/54

CONTROLS

FLYING CONTROLS IN CENTRE FUSELAGE

Part Number	Description	No. Off	Mati. Spec.	Plate No.
R EA3.45.5181	. LEVER, AILERON IDLER, AT FRAME 22 ASSEMBLY (Mod.4956) Spares for:—	1	—	20/1
R T17	. . BEARING, ballrace	2	—	20/2
R EA3.45.5205	. . HOUSING, ballrace Attaching parts for EA3.45.5205:—	2	—	20/3
R AS1242/2C	. . Bolt, 2BA	8	—	20/4
R A25/2C	. . Bolt, 2BA	8	—	20/5
R AGS2001C1/66	. . Nut, 2BA	8	—	20/6
R EA3.45.5207	. . Ring, clamp	1	—	20/7
R EA3.45.5211	. . Shim, laminated	1	—	20/8
R SP13C	. . Washer	8	—	20/9
R EA3.45.5193	. . LEVER assembly Spares for:—	1	—	20/10
R CBA2	. . . BEARING, ballrace	2	—	20/11
R EEAS.3D	. . . HOUSING	2	—	20/12
R EA3.45.5195	. . . LEVER	1	—	20/13
R EEAS.4/20C	. . . WASHER, packing Attaching parts for EA3.45.5193:—	4	—	20/14
R AS1242/4E	. . Bolt, 1/4" BSF	6	—	20/15
R A27ES	. . Nut, 1/4" BSF	6	—	20/16
R SP90C5	. . Pin, split	6	—	20/17
R SP16E	. . Washer, thick	6	—	20/18
R EA3.45.5203	. . SPINDLE Attaching parts for EA3.45.5181:—	1	—	20/19
R A25/1C	. Bolt, 2BA	18	—	20/20
R AGS2001C1/66	. Nut, 2BA	18	—	20/21
R SP13C	. Washer	18	—	20/22
R EA1.45.485	. SUPPORT, CONTROL TUBE, BETWEEN FRAMES 12 AND 13, ASSEMBLY Spares for:—	1	—	19/40
R FS515	. . BEARING, roller	3	—	19/41
R EA1.45.545	. . EXTRUSION	1	—	19/42
R EA1.45.547	. . EXTRUSION	1	—	19/43
R EA1.45.463	. . SUPPORT Attaching parts for EA1.45.485:—	1	—	19/44
R A25/3C	. Bolt, 2BA	6	—	19/45
R A27CP	. Nut, 2BA	6	—	19/46
R EA1.45.487	. SUPPORT, CONTROL TUBE, AT FRAME 15, ASSEMBLY Spares for:—	1	—	19/47
R FS515	. . BEARING, roller	3	—	19/48
R EA1.45.465	. . SUPPORT Attaching parts for EA1.45.487:—	1	—	19/49
R A25/4C	. Bolt, 2BA	6	—	19/50
R A27CP	. Nut, 2BA	6	—	19/51
R EEAS.15-64-110HR	. Strip, packing	3	—	19/52

FLYING CONTROLS IN CENTRE FUSELAGE

Part Number	Description	No. Off	Matl. Spec.	Plate No.
EA1.45.489	. SUPPORT, CONTROL TUBE, AT FRAME 20 ASSEMBLY Spares for:—	1	—	20/23
FS515	. . BEARING, roller	3	—	20/24
EA1.45.467	. . SUPPORT Attaching parts for EA1.45.489:—	1	—	20/25
A25/3C	. Bolt, 2BA	6	—	20/26
A27CP	. Nut, 2BA	6	—	20/27
EEAS.15/64/110NF	. Strip, packing	3	—	20/28
EA1.45.491	. SUPPORT, CONTROL TUBE, AT FRAME 23 ASSEMBLY Spares for:—	1	—	20/29
FS515	. . BEARING, roller	2	—	20/30
EA1.45.469	. . SUPPORT Attaching parts for EA1.45.491:—	1	—	20/31
A25/4C	. Bolt, 2BA	4	—	20/32
A27CP	. Nut, 2BA	4	—	20/33
EA1.45.497	. SUPPORT, CONTROL TUBE, AT FRAME 30A ASSEMBLY Spares for:—	1	—	20/34
FS515	. . BEARING, roller	2	—	20/35
EA1.45.699	. SUPPORT, CONTROL TUBE, AT FRAME 27 ASSEMBLY Spares for:—	1	—	20/36
FS515	. . BEARING, roller	2	—	20/37
EA3.45.673	. TUBE, CONTROL, ELEVATOR AND RUDDER ASSEMBLY (Pre-Mod.5473)	6	—	20A/1
EA3.45.743	. TUBE, CONTROL, ELEVATOR AND RUDDER ASSEMBLY (Mod.5473) Spares for:—	6	—	
EEAS.130	. . END-FITTING, c/w ballrace (Pre-Mod.5473)	1	DTD683	20A/2
EA3.45.767	. . END-FITTING (Mod.5473)	1	—	
EEAS.131/2	. . FORK-END (Pre-Mod.5473)	1	—	20A/3
EA3.45.765	. . FORK-END (Mod.5473)	1	—	
EA3.45.361	. . TUBE (Pre-Mod.5473)	1	—	
EA3.45.785	. . TUBE (Mod.5473)	1	—	20A/28
EA3.45.679	. TUBE, CONTROL, BETWEEN FRAMES 12 AND 15 ASSEMBLY (Mod.4930) (Pre-Mod.5473)	3	—	20A/4
EA3.45.749	. TUBE, CONTROL, BETWEEN FRAMES 12 AND 15 ASSEMBLY (Mod.5473) Spares for:—	3	—	
EEAS.130	. . END-FITTING (Pre-Mod.5473)	1	—	20A/2
EA3.45.767	. . END-FITTING (Mod.5473)	1	—	

CONTROLS

FLYING CONTROLS IN CENTRE FUSELAGE

Part Number	Description	No. Off	Matl. Spec.	Plate No.	
					1
EEAS.131/2	. . . FORK-END (Pre-Mod.5473)	1	—	20A/3	
EA3.45.765	. . . FORK-END (Mod.5473)	1	—		
EA3.45.373	. . . TUBE (Pre-Mod.5473)	1	—		
EA3.45.791	. . . TUBE (Mod.5473)	1	—	20A/29	
EA3.45.671	. TUBE, CONTROL, BETWEEN FRAMES 15 AND 20 ASSEMBLY (Mod.4930) (Pre-Mod.5473)	1	—	20A/5	
EA3.45.741	. TUBE, CONTROL, BETWEEN FRAMES 15 AND 20 ASSEMBLY (Mod.5473) Spares for:—	1	—		
EEAS.130	. . . END-FITTING (Pre-Mod.5473)	1	—	20A/2	
EA3.45.767	. . . END-FITTING (Mod.5473)	1	—		
EEAS.131/2	. . . FORK-END (Pre-Mod.5473)	1	—	20A/3	
EA3.45.765	. . . FORK-END (Mod.5473)	1	—		
EA3.45.357	. . . TUBE (Pre-Mod.5473)	1	—		
EA3.45.783	. . . TUBE (Mod.5473)	1	—	20A/30	
EA3.45.677	. TUBE, CONTROL, BETWEEN FRAME 20 AND AILERON LEVER ASSEMBLY (Mod.4930) (Pre-Mod.5473)	1	—	20A/6	
EA3.45.747	. TUBE, CONTROL, BETWEEN FRAME 20 AND AILERON LEVER ASSEMBLY (Mod.5473) Spares for:—	1	—		
EEAS.128	. . . END-FITTING (Pre-Mod.5473)	1	—	20A/7	
EA3.45.769	. . . END-FITTING (Mod.5473) Attaching parts for EEAS.128 or EA3.45.769:—	1	—		
EEAS.37/13A	. . . Nipple	4	—	20A/8	
EEAS.41/2	. . . Pin, sealing	2	—	20A/9	
AGS.2052/19/27	. . . Rivet, Tucker (Mod.4930)	2	—	20A/10	
AGS.2045/609	. . . Rivet	2	—	20A/11	
EEAS.38/1A	. . . Spoke	2	—	20A/12	
EEAS.47/2	. . . FORK-END, adjusting Attaching parts for EEAS.47/2:—	1	—	20A/13	
A29NP	. . . Nut, 1/2" BSF	1	—	20A/14	
EEAS.131/2	. . . FORK-END (Pre-Mod.5473)	1	—	20A/15	
EA3.45.765	. . . FORK-END (Mod.5473) Attaching parts for EEAS.131/2 or EA3.45.765:—	1	—		
EEAS.37/13A	. . . Nipple	6	—	20A/16	
EEAS.38/1A	. . . Spoke	3	—	20A/17	

FLYING CONTROLS IN CENTRE FUSELAGE

Part Number	Description	No. Off	Matl. Spec.	Plate No.
EA3.45.369	. . TUBE (Pre-Mod.5473)	1	-	
EA3.45.789	. . TUBE (Mod.5473)	1	-	20A/31
EA3.45.675	. TUBE, CONTROL, AT FRAME 21 ASSEMBLY (Mod.4930) (Pre-Mod.5473)	1	-	20A/18
EA3.45.745	. TUBE, CONTROL, AT FRAME 21 ASSEMBLY (Mod.5473) Spares for:-	1	-	
EEAS.131/2	. . FORK-END (Pre-Mod.5473)	2	-	20A/19
EA3.45.765	. . FORK-END (Mod.5473) Attaching parts for EEAS.131/2 or EA3.45.765:-	2	-	
EEAS.37/13A	. . Nipple	6	-	20A/20
EEAS.38/1A	. . Spoke	3	-	20A/21
EA3.45.365	. . TUBE (Pre-Mod.5473)	1	-	
EA3.45.787	. . TUBE (Mod.5473)	1	-	20A/32
EA3.45.681	. TUBE, CONTROL, BETWEEN FRAMES 23 AND 27 ASSEMBLY (Mod.4930) (Pre-Mod.5473)	2	-	20A/22
EA3.45.751	. TUBE, CONTROL, BETWEEN FRAMES 23 AND 27 ASSEMBLY (Mod.5473) Spares for:-	2	-	
EEAS.130	. . END-FITTING, c/w ballrace (Pre-Mod.5473)	1	-	20A/2
EA3.45.767	. . END-FITTING (Mod.5473)	1	-	
EEAS.131/2	. . FORK-END (Pre-Mod.5473)	1	-	20A/3
EA3.45.765	. . FORK-END (Mod.5473)	1	-	
EA3.45.377	. . TUBE (Pre-Mod.5473)	1	-	
EA3.45.793	. . TUBE (Mod.5473) Attaching parts for control tubes:-	1	-	
EEAS.13/1	. Bolt, special	2	-	20A/23
EEAS.14	. Bush	2	-	20A/24
EEAS.63E	. Nut	2	-	20A/25
EEAS.127	. Piece, distance	2	-	20A/26
SP90C7	. Pin, split	2	-	20A/27

CONTROLS

FLYING CONTROLS IN CENTRE FUSELAGE

Part Number	Description 1 2 3 4 5 6	No. Off	Matl. Spec.	Plate No.

A.P.101B-0417-3A

CONTROLS

Page DK 1

FLYING CONTROLS IN REAR FUSELAGE

Part Number	Description	No. Off	Matl. Spec.	Plate No.
-	CONTROLS, FLYING, IN REAR FUSELAGE, ASSEMBLY (EA3.45.385) Spares for:-	-	-	
EEAS.13/1	. BOLT, special, control tube connecting	8	S96	21/21
EEAS.14	. BUSH, spacing, at connections	8	S96	21/22
-	. LEVERS, CONTROL, AND MOUNTING OF BRACKETS AT FRAME 42, ASSEMBLY (EA1.45.601) Spares for:-	-	-	21/40
EA1.45.1193	. . . LEVER, CONTROL, ELEVATOR, GROUP Consisting of:-	1	-	21/26
HOFFMANN CS.1	. . . BEARING, ballrace	2	-	21/4
SKEFCO CBA.2	. . . BEARING, ballrace	2	-	21/19
EA1.45.573	. . . BOBBIN Attaching parts for EA1.45.573:-	1	L40	21/5
A25/4C	. . . Bolt, 2BA hex. head	4	-	21/13
A27/CP	. . . Nut, 2BA plain	4	-	21/11
SP16/C	. . . Washer, 2BA plain	4	-	21/12
EA1.45.577	. . . BUSH, distance	1	L65	21/8
EEAS.3/D	. . . HOUSING, ballrace	2	L65	21/23
EA1.45.1191	. . . LEVER	1	L65	21/18
EEAS.4/20C	. . . WASHER, packing, ballrace housing Attaching parts for EA1.45.1193:-	4	DTD610	21/20
EEAS.13/6	. . . Bolt, special, 1/4" BSF	1	S96	21/14
A27/ES	. . . Nut, 1/4" BSF slotted	1	-	21/2
SP90/C7	. . . Pin, split	1	-	21/1
SP15/E	. . . Washer, 1/4" BSF plain	1	-	21/3
EA1.45.561	. . . LEVER, CONTROL, RUDDER, ASSEMBLY Spares for:-	1	-	21/24
HOFFMANN CS.1	. . . BEARING, ballrace	2	-	21/9
EA1.45.575	. . . BOBBIN	1	L40	21/7
EA1.45.577	. . . BUSH, distance	1	L65	21/10
EA1.45.569	. . . LUG, end, c/w ballrace Attaching parts for EA1.45.561:-	2	-	21/25
EEAS.13/7	. . . Bolt, special, 1/4" BSF	1	S96	21/6
A27/ES	. . . Nut, 1/4" BSF slotted	1	-	21/16
SP90/C7	. . . Pin, split	1	-	21/17
SP15/E	. . . Washer, 1/4" BSF plain	1	-	21/15
EEAS.63/E	. NUT, special, 1/4" BSF, control rod connecting bolt	8	S96	21/29
EEAS.127	. PIECE, distance, at lever and rod connections	8	S96	21/28
SP90/C7	. PIN, split	8	-	21/30
EA1.45.499	. SUPPORT, CONTROL TUBES, AT FRAME 35, ASSEMBLY Spares for:-	1	-	21/31
FS515	. . . BEARING, roller	2	-	21/32
EA1.45.501	. SUPPORT, CONTROL TUBES, AT FRAME 37, ASSEMBLY Spares for:-	1	-	21/33
FS515	. . . BEARING, roller	2	-	21/34

R

R

R

R

CONTROLS

FLYING CONTROLS IN REAR FUSELAGE

Part Number	Description	No. Off	Matl. Spec.	Plate No.
R EA3.45.647	. TUBE, CONTROL, RUDDER (Mod.4930) (Pre-Mod.5473)	1	-	21/35
EA3.45.723	. TUBE, CONTROL, RUDDER (Mod.5473)	1	-	
	Spares for:-			
EEAS.47/2	. . FITTING, adjuster	1	L40	21/52
EEAS.131/2	. . FORK-END (Pre-Mod.5473)	1	L40	21/50
EA3.45.765	. . FORK-END (Mod.5473)	1	-	
A29/NP	. . NUT, 1/2" BSF plain	1	-	21/51
R EA3.45.649	. TUBE, CONTROL, ELEVATOR (Mod.4930) (Pre-Mod.5473)	2	-	21/41
EA3.45.725	. TUBE, CONTROL, ELEVATOR (Mod.5473)	2	-	
	Consisting of:-			
R EA3.45.681	. . TUBE, CONTROL, ASSEMBLY (Mod.4930) (Pre-Mod.5473)	1	-	21/49
EA3.45.751	. . TUBE, CONTROL, ASSEMBLY (Mod.5473)	1	-	
	Spares for:-			
EEAS.130	. . . END-FITTING, c/w bearing (Pre-Mod.5473)	1	-	21/44
EA3.45.767	. . . END-FITTING (Mod.5473)	1	-	
EEAS.131/2	. . . FORK-END (Pre-Mod.5473)	1	L40	21/48
EA3.45.765	. . . FORK-END (Mod.5473)	1	-	
R EA3.45.653	. TUBE, CONTROL, ELEVATOR (Mod.4930) (Pre-Mod.5473)	1	-	21/36
EA3.45.729	. TUBE, CONTROL, ELEVATOR (Mod.5473)	1	-	
	Spares for:-			
EEAS.47/2	. . FITTING, adjuster	1	L40	21/47
EA3.45.313	. . FORK-END (Pre-Mod.5473)	1	L40	21/45
EA3.45.811	. . FORK-END (Mod.5473)	1	-	
A29/NP	. . NUT, 1/2" BSF plain	1	-	21/46
R EA3.45.681	. TUBE, CONTROL, ELEVATOR (Mod.4930) (Pre-Mod.5473)	2	-	21/42
EA3.45.751	. TUBE, CONTROL, ELEVATOR (Mod.5473)	2	-	
	Spares for:-			
EEAS.130	. . END-FITTING, c/w bearing (Pre-Mod.5473)	1	-	21/38
EA3.45.767	. . END-FITTING (Mod.5473)	1	-	
EEAS.131/2	. . FORK-END (Pre-Mod.5473)	1	L40	21/37
EA3.45.765	. . FORK-END (Mod.5473)	1	-	
R EA3.45.683	. TUBE, CONTROL, ELEVATOR (Mod.4930) (Pre-Mod.5473)	1	-	21/39
EA3.45.753	. TUBE, CONTROL, ELEVATOR (Mod.5473)	1	-	
	Spares for:-			
EEAS.47/2	. . FITTING, adjuster	1	L40	21/52
EEAS.131/2	. . FORK-END (Pre-Mod.5473)	1	L40	21/50
EA3.45.765	. . FORK-END (Mod.5473)	1	-	
A29/NP	. . NUT, 1/2" BSF plain	1	-	21/51
R EA3.45.685	. TUBE, CONTROL, RUDDER (Mod.4930) (Pre-Mod.5473)	1	-	21/27
EA3.45.755	. TUBE, CONTROL, RUDDER (Mod.5473)	1	-	
	Spares for:-			
EEAS.47/2	. . FITTING, adjuster	1	L40	21/52
EEAS.131/2	. . FORK-END (Pre-Mod.5473)	1	L40	21/50
EA3.45.765	. . FORK-END (Mod.5473)	1	-	
A29/NP	. . NUT, 1/2" BSF plain	1	-	21/51

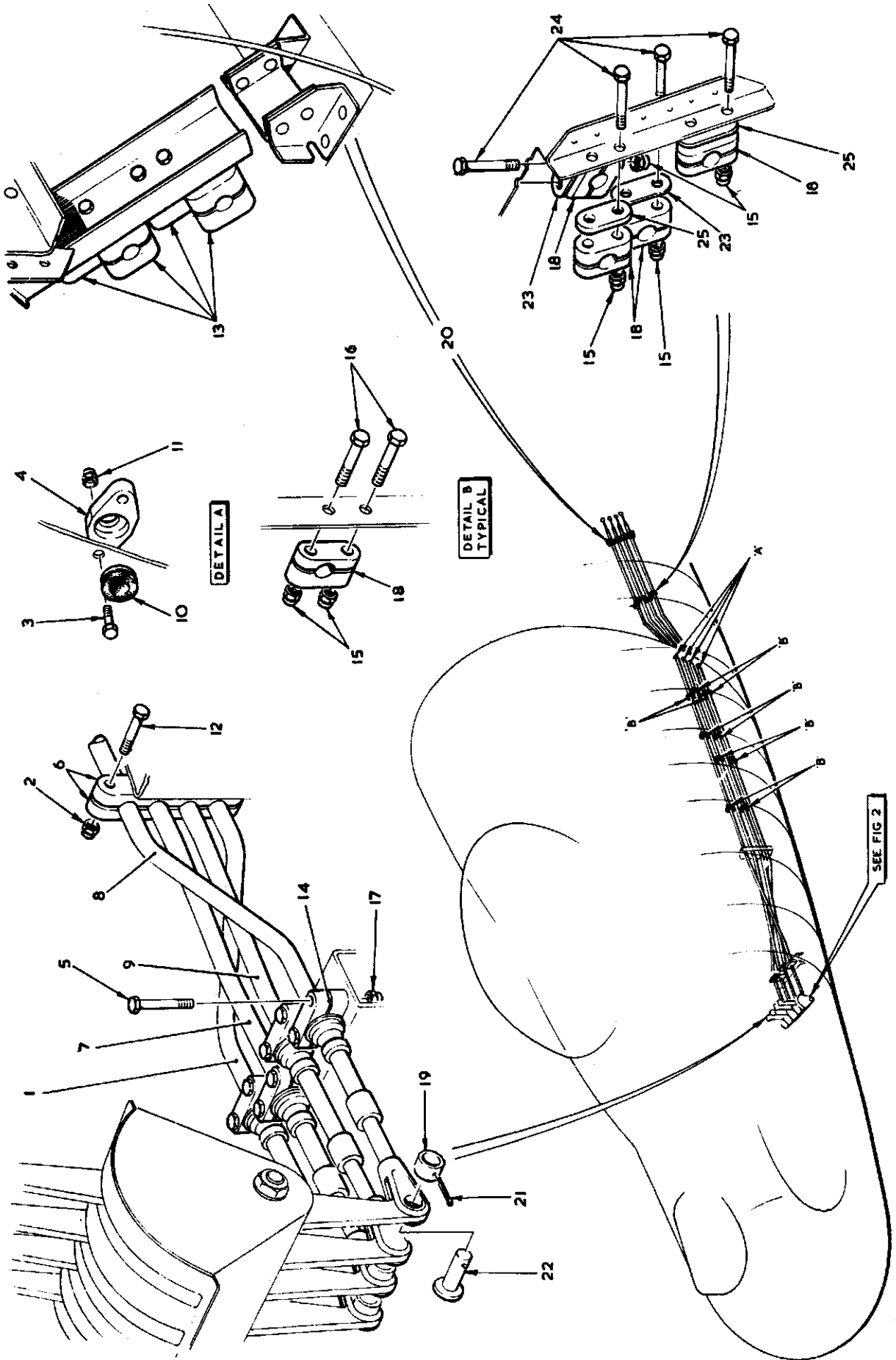


FIG.1 ENGINE CONTROLS IN NOSE FUSELAGE

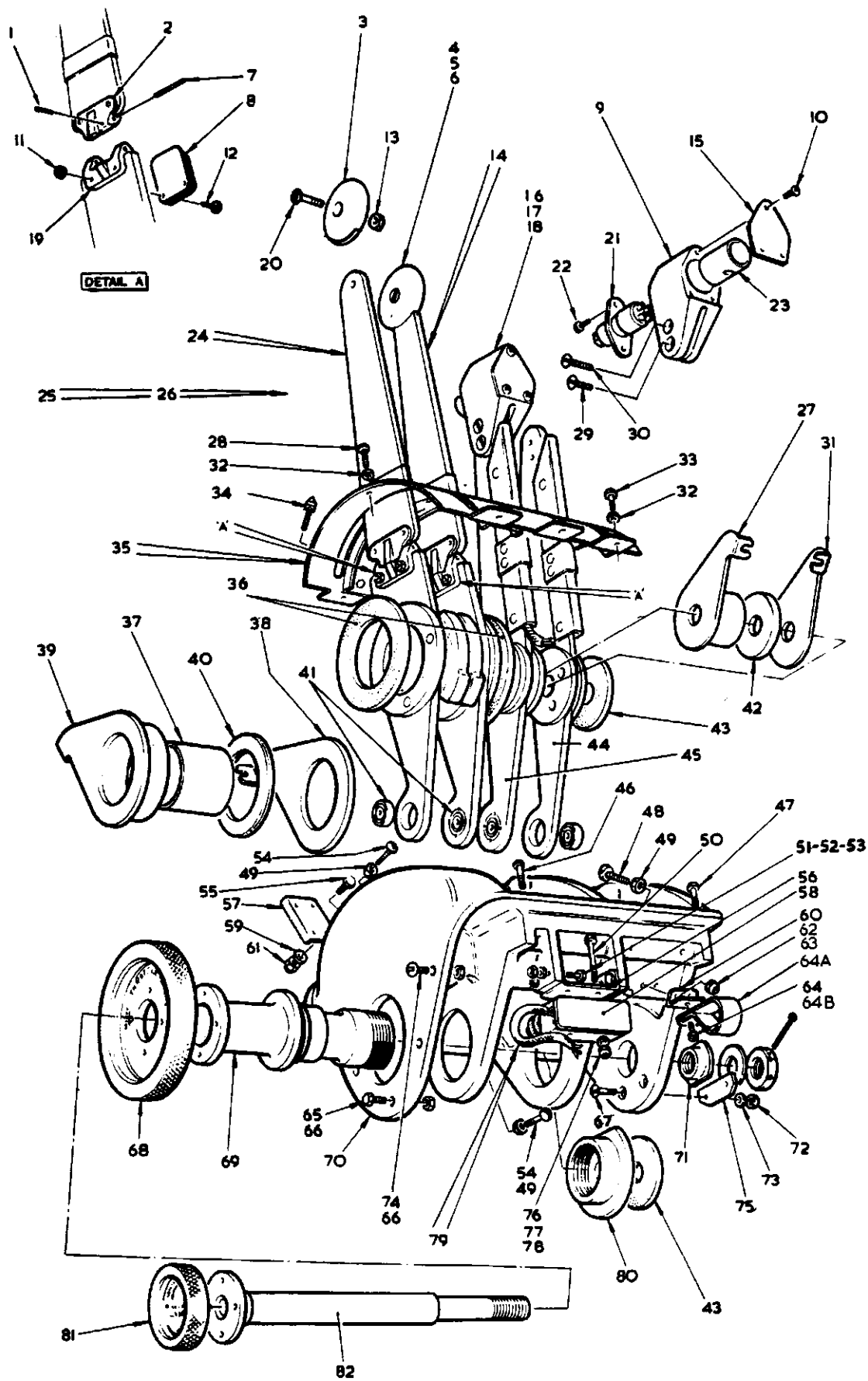


FIG.2 ENGINE CONTROLS IN NOSE FUSELAGE

T. MK.17 SECT. D

Handwritten notes:
AL II
...
...

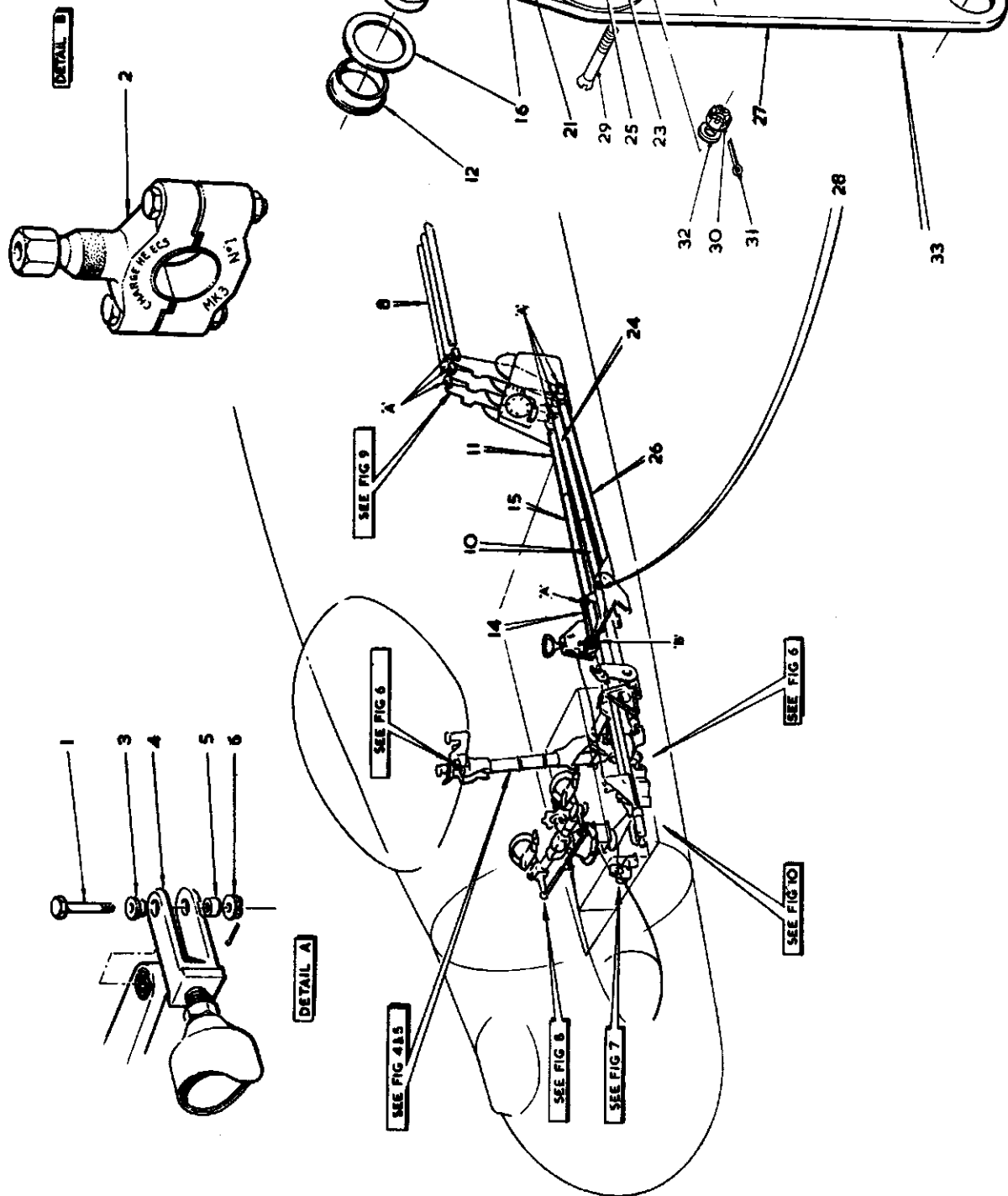


FIG.3 FLYING CONTROLS IN COCKPIT
Restricted

Restricted

AL8

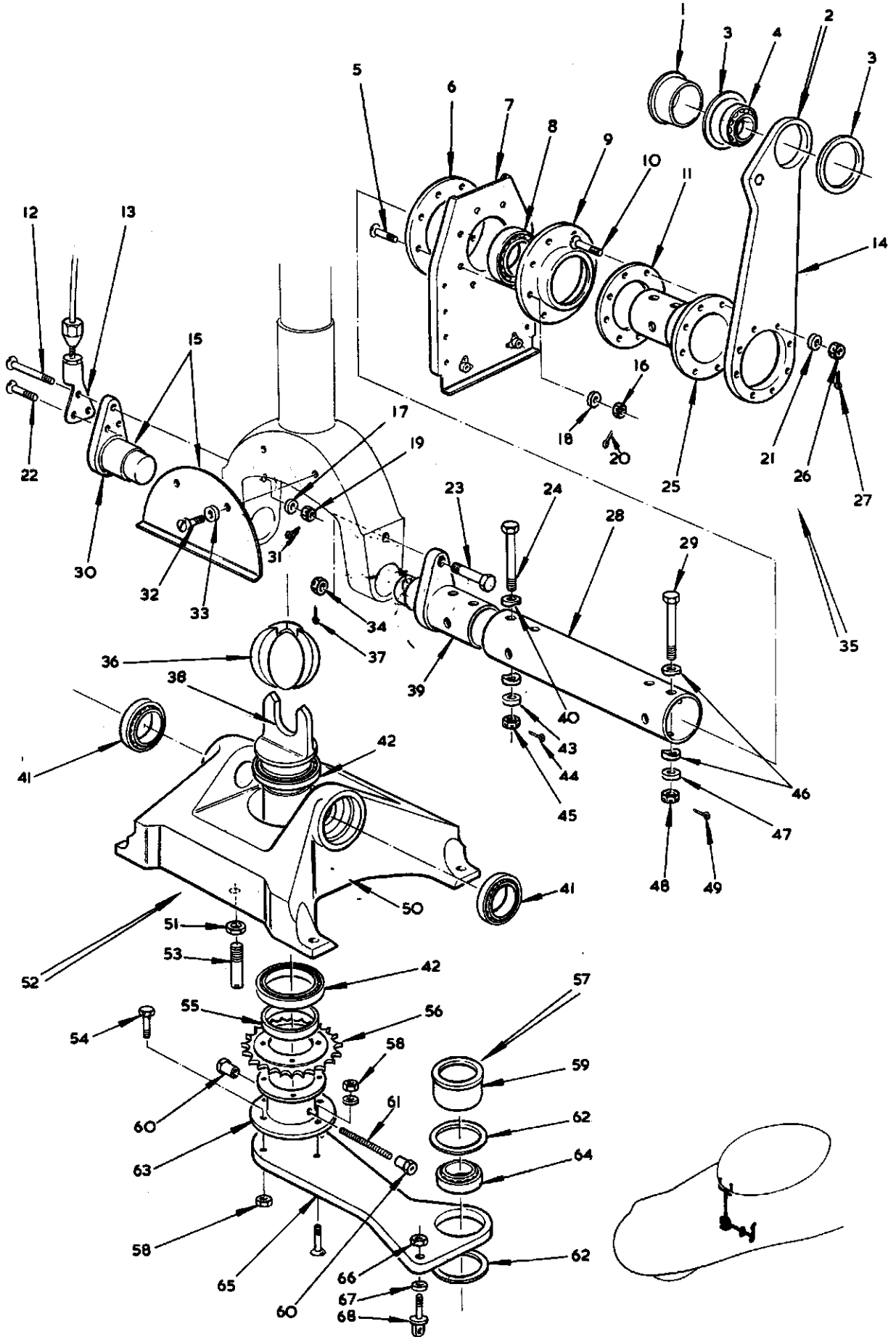


FIG 4. FLYING CONTROLS IN COCKPIT

Restricted

TMK 17, SECT D

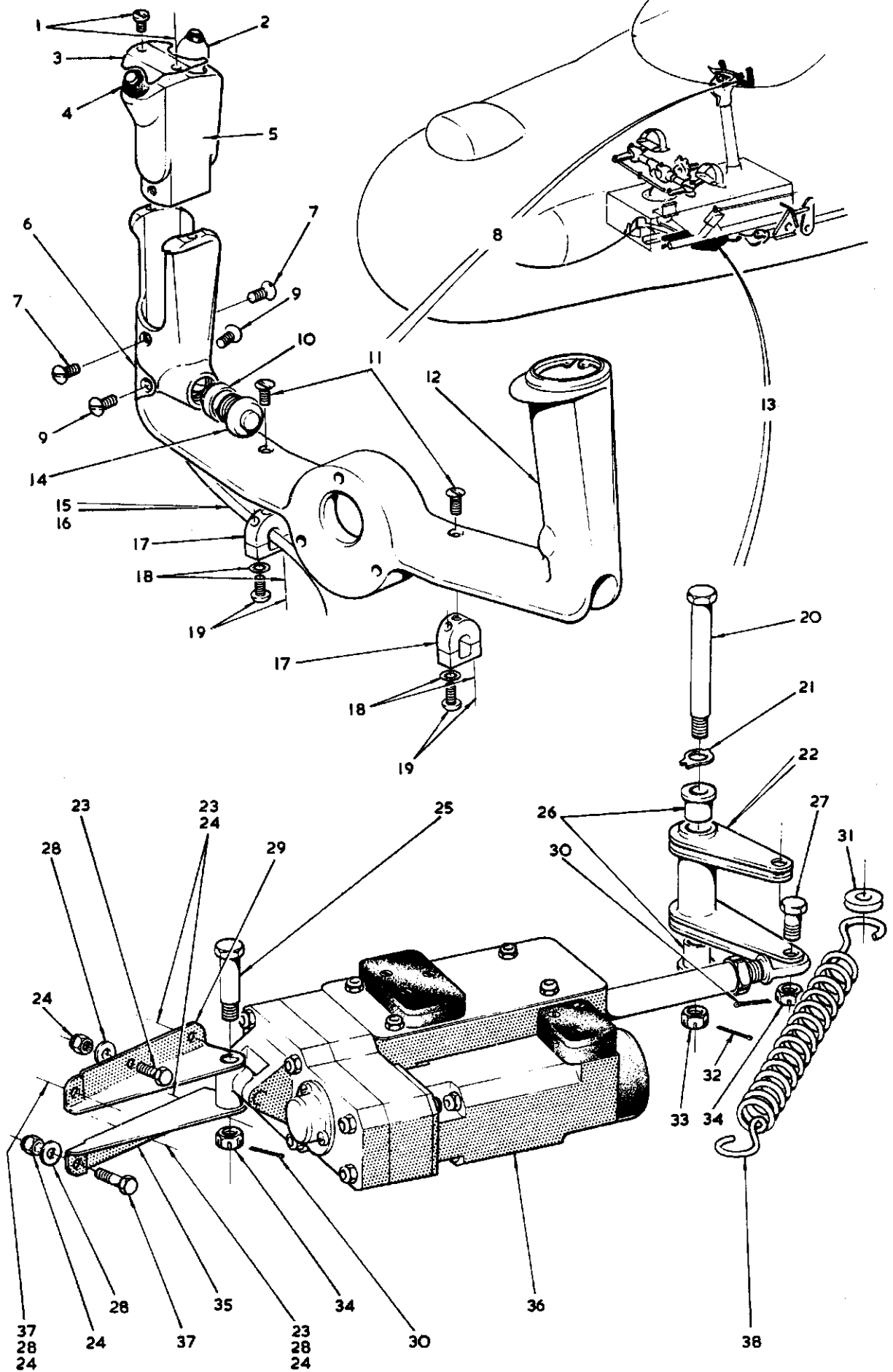


FIG.6 FLYING CONTROLS IN COCKPIT
Restricted

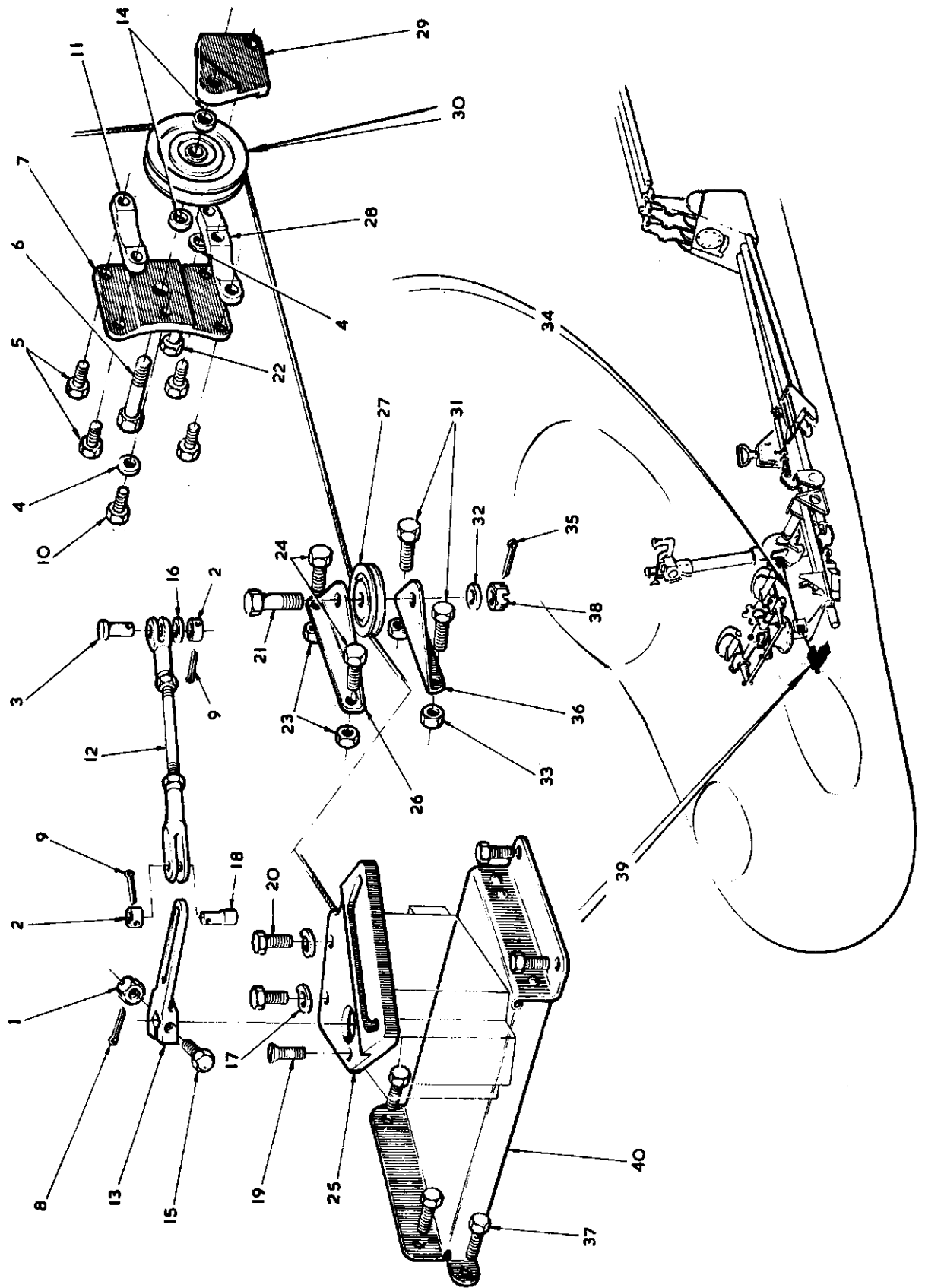


FIG.7 FLYING CONTROLS IN COCKPIT
Restricted

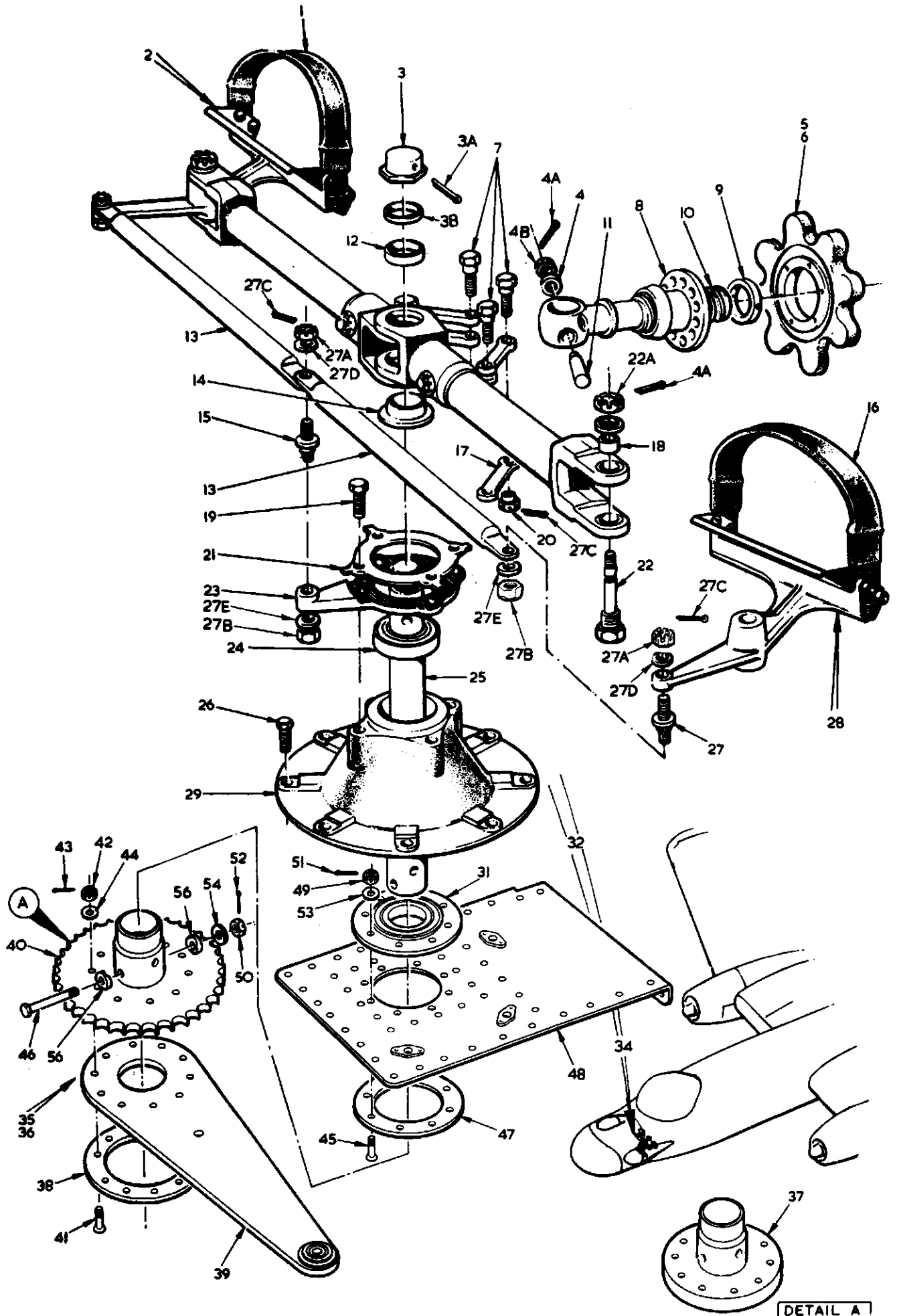


FIG 8 FLYING CONTROLS IN COCKPIT

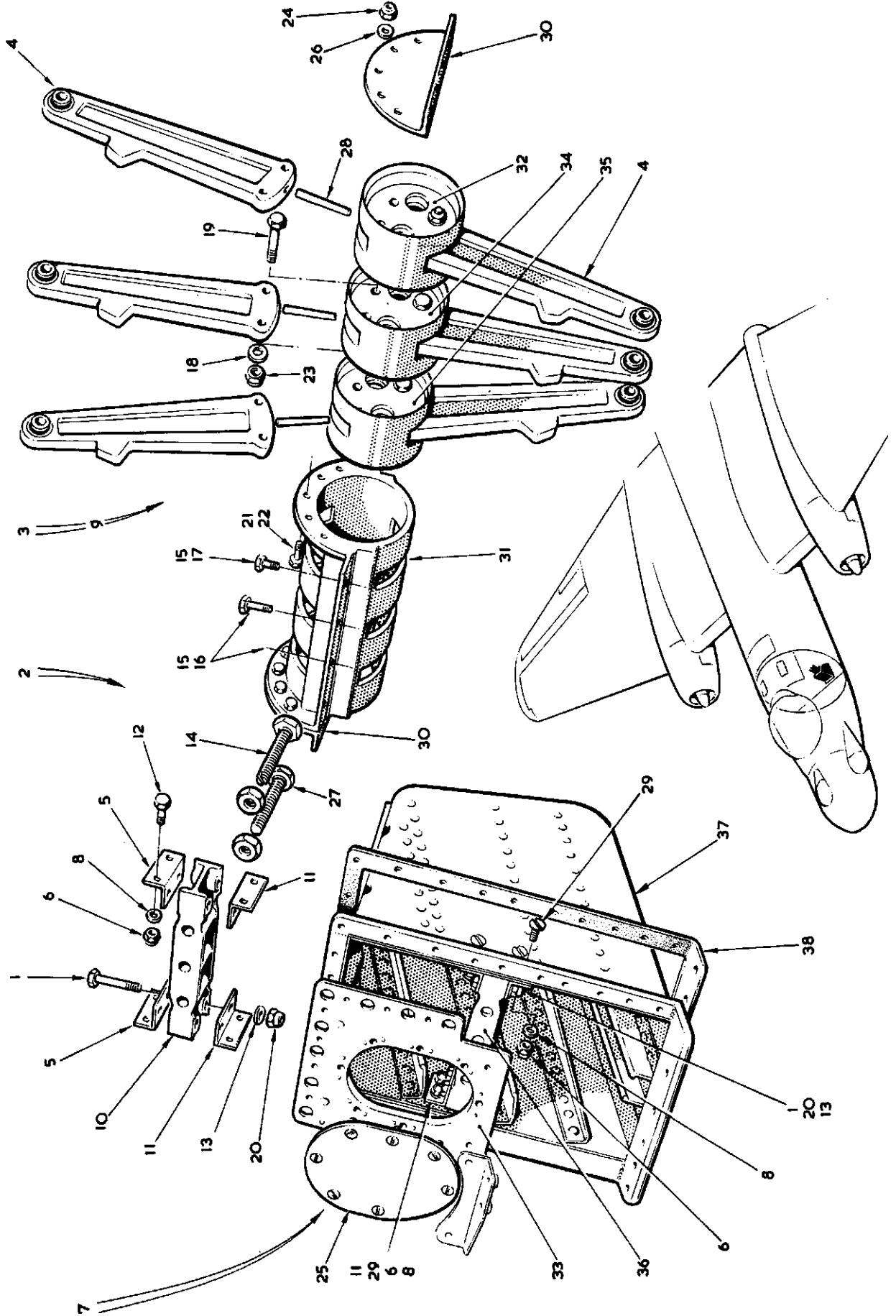


FIG 9. FLYING CONTROLS IN COCKPIT
Restricted

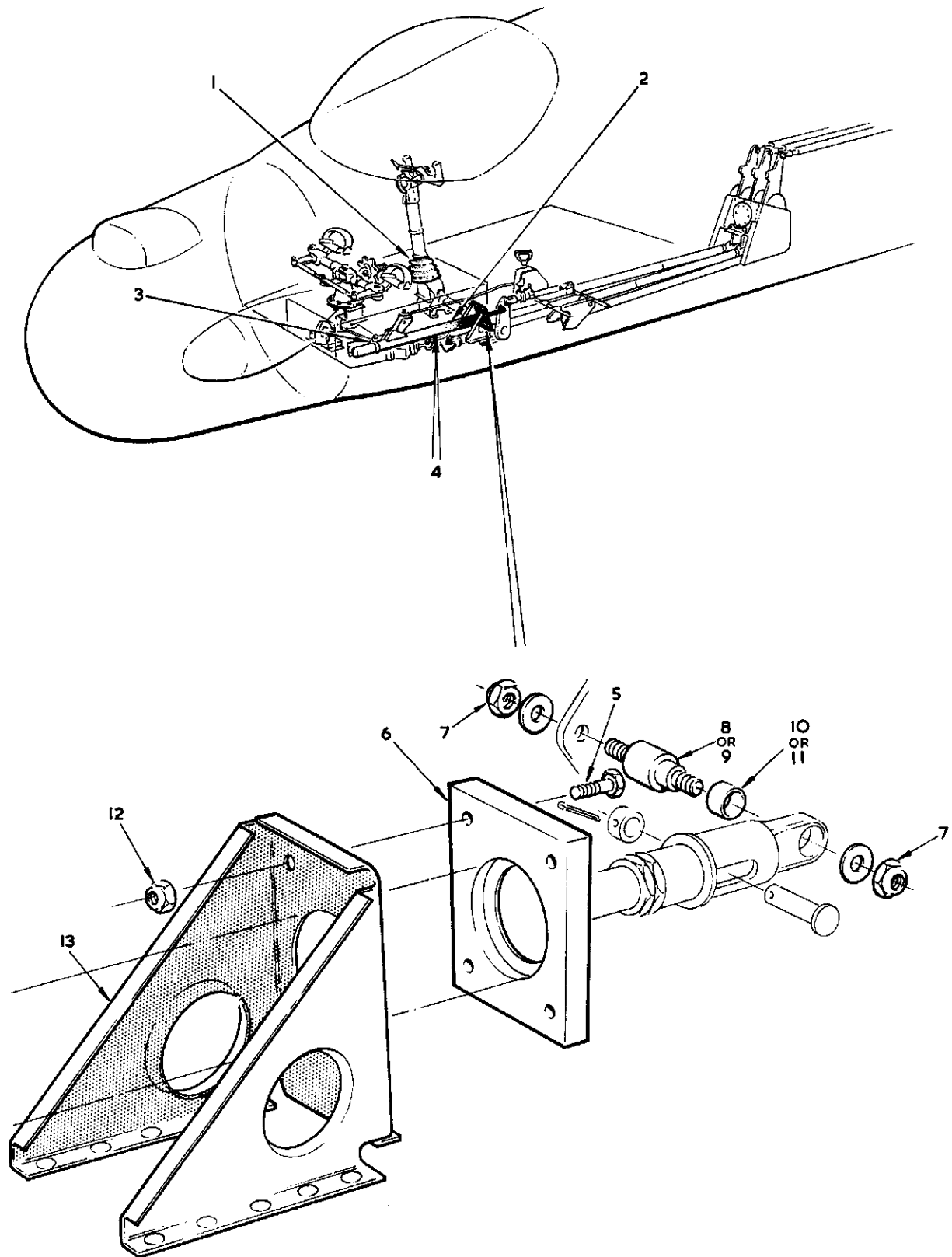


FIG.10 FLYING CONTROLS IN COCKPIT

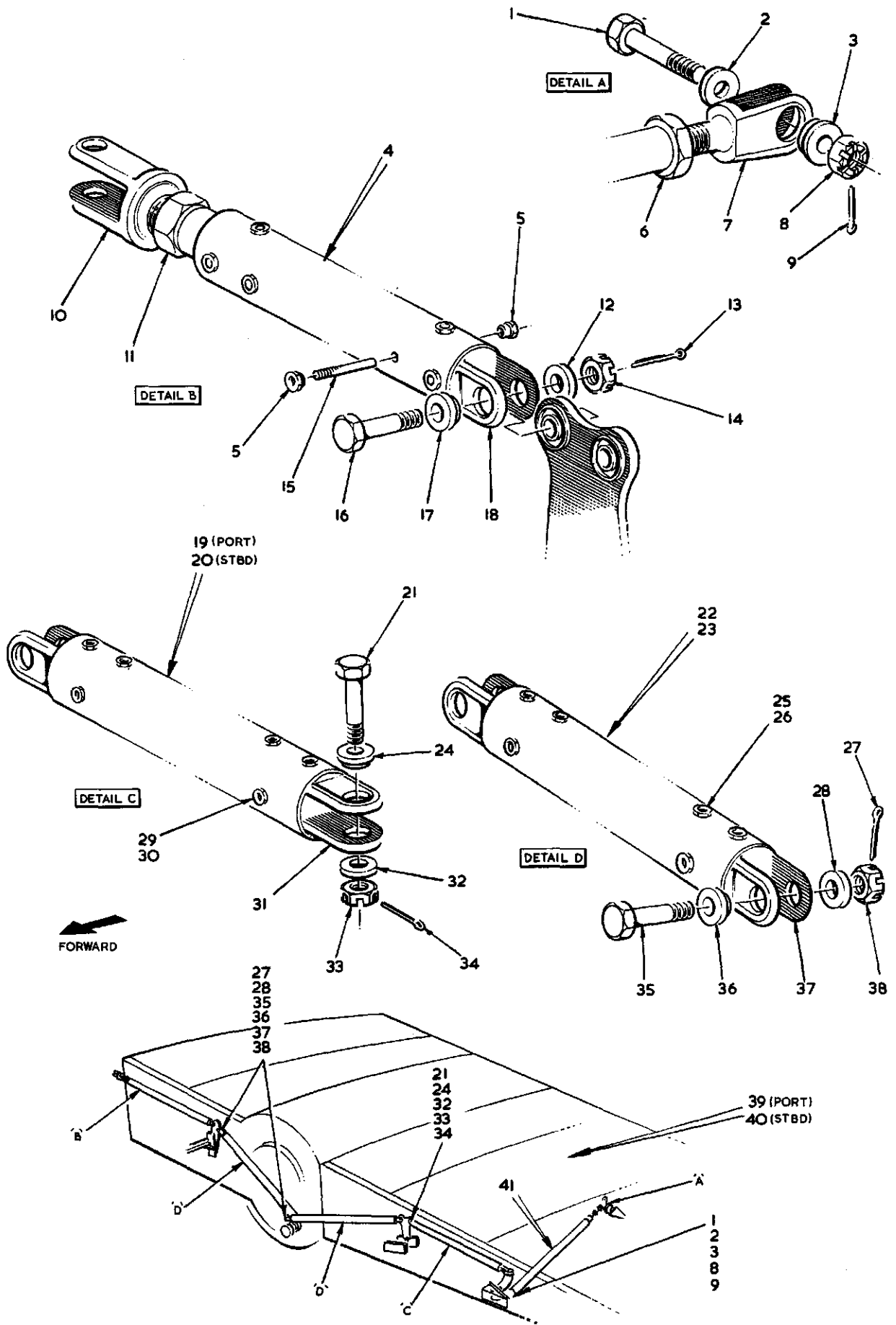


FIG.II AILERON CONTROLS IN WING PORT & STBD
Restricted

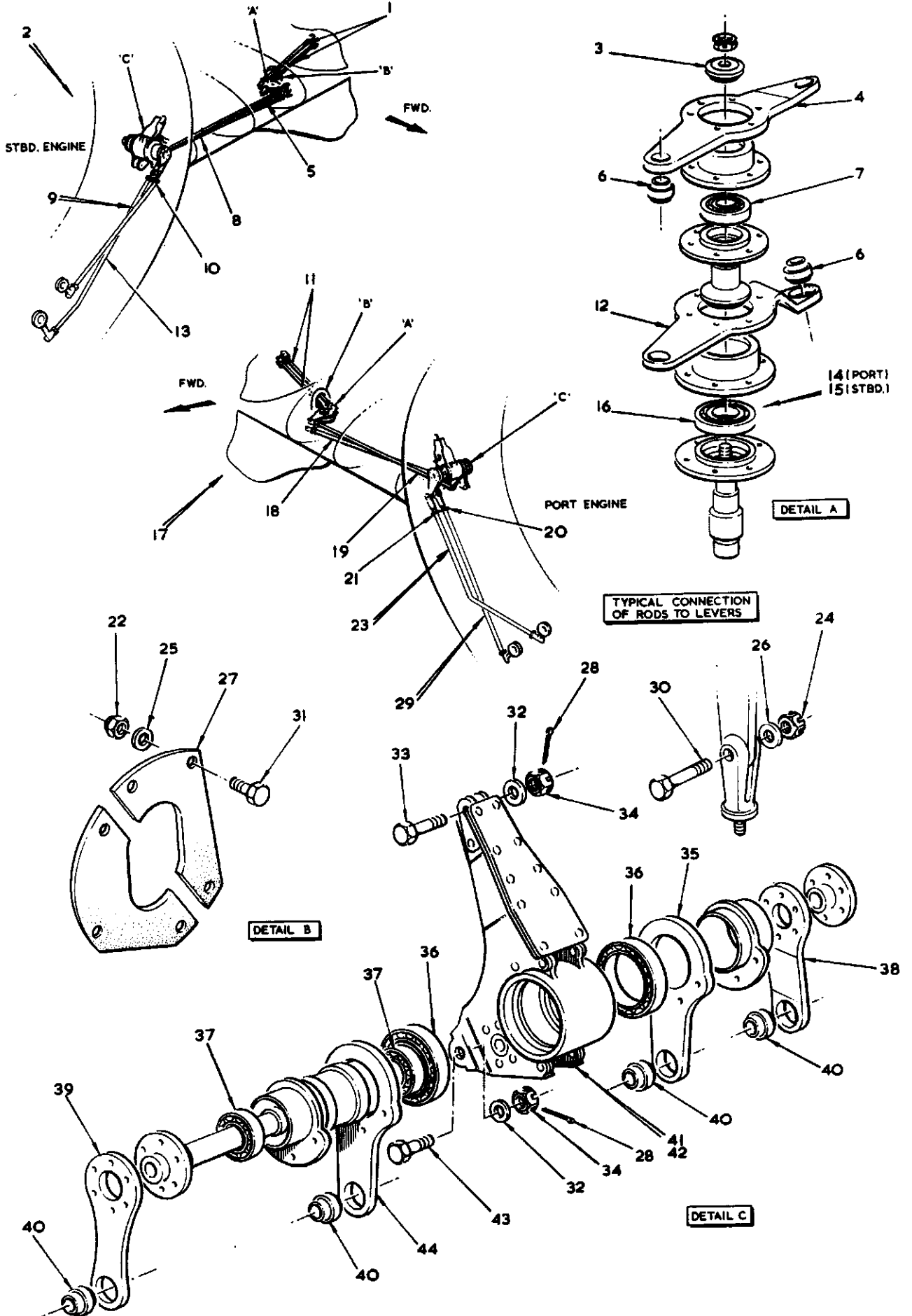


FIG. 12 ENGINE CONTROLS IN WINGS PORT & STBD.

Restricted

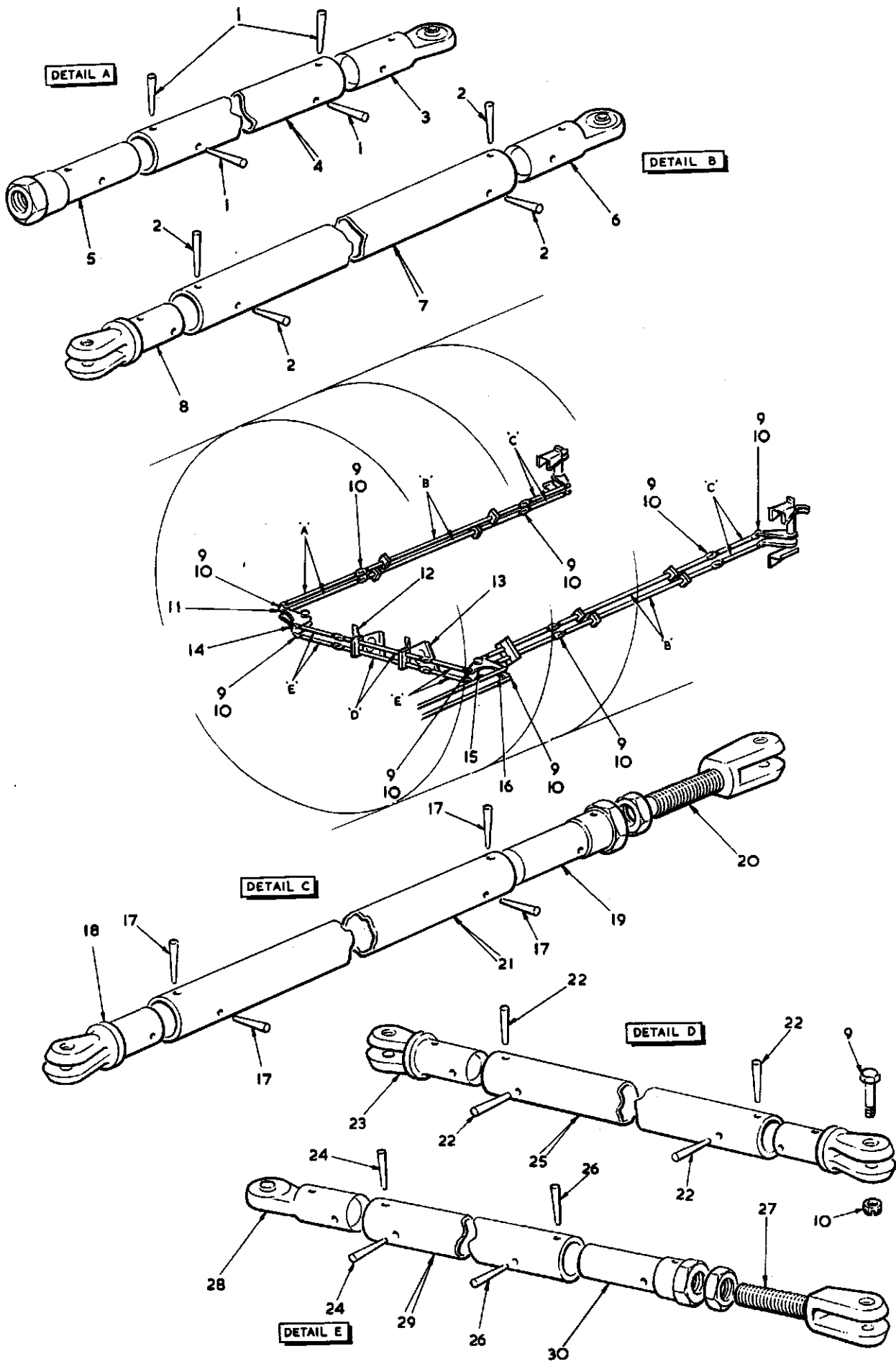


FIG. 13 ENGINE CONTROLS IN CENTRE FUSELAGE
Restricted

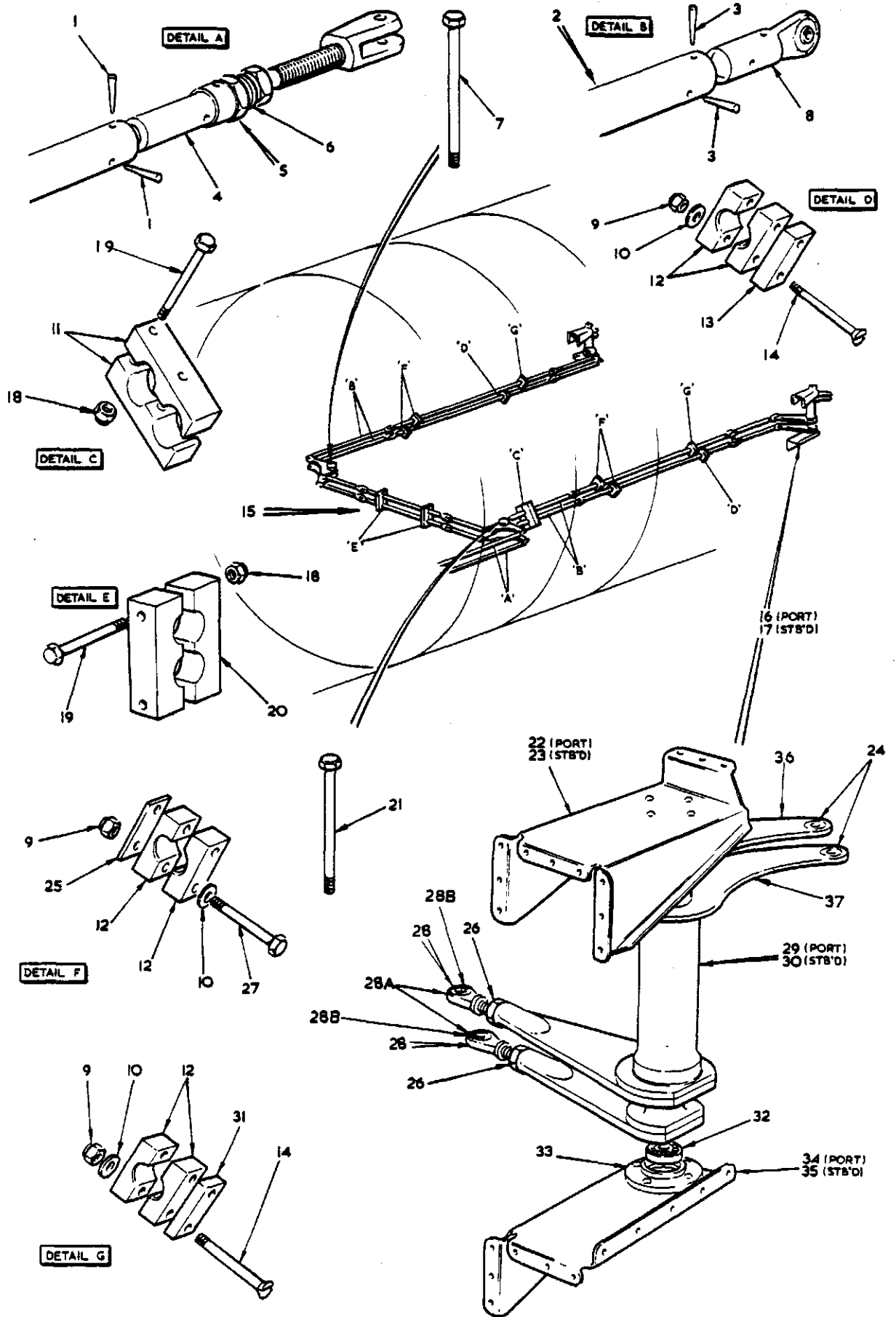


FIG.14 ENGINE CONTROLS IN CENTRE FUSELAGE

T. MK.17 SECT. D

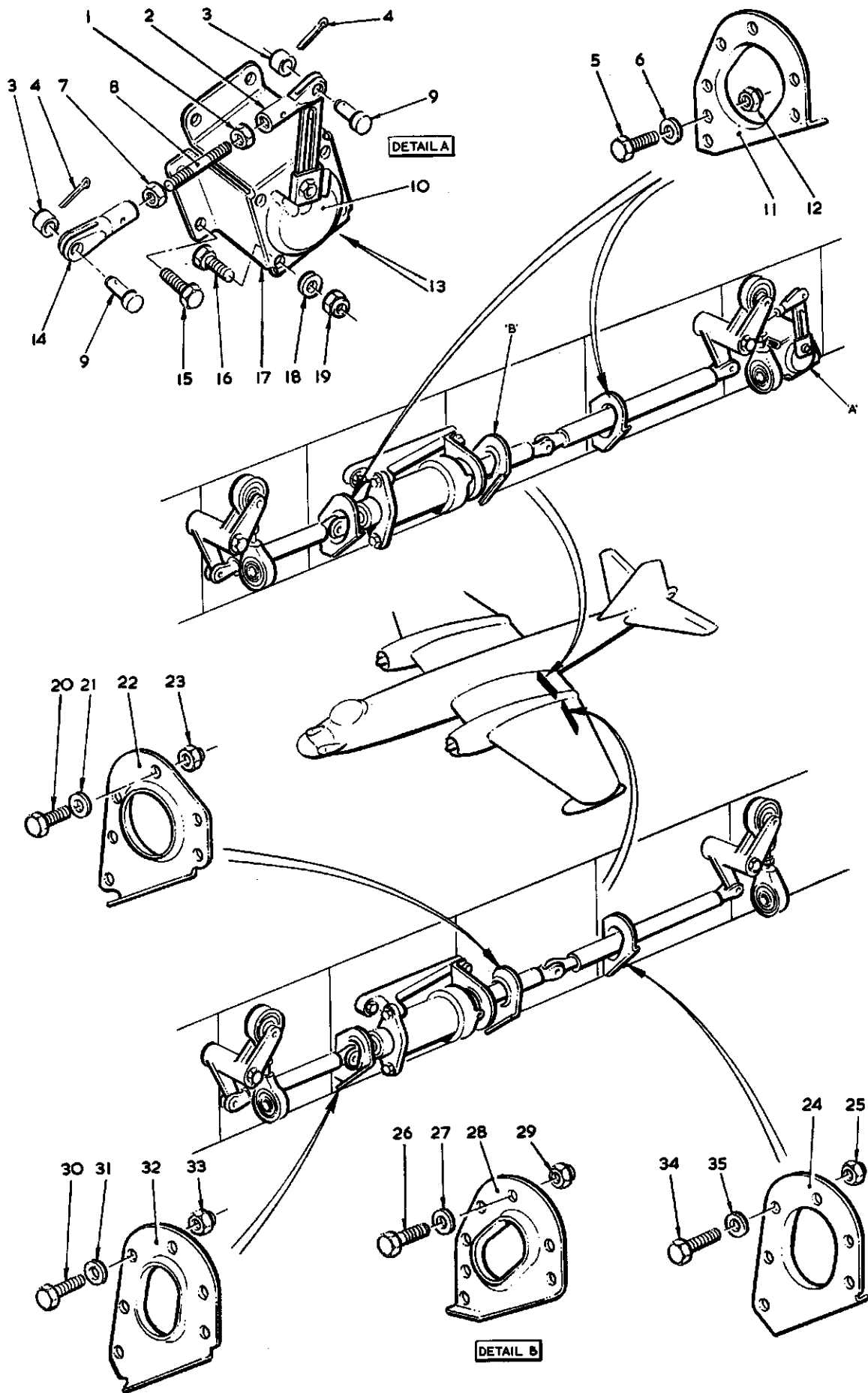


FIG. 15 FLAP OPERATING MECHANISM PORT
Restricted

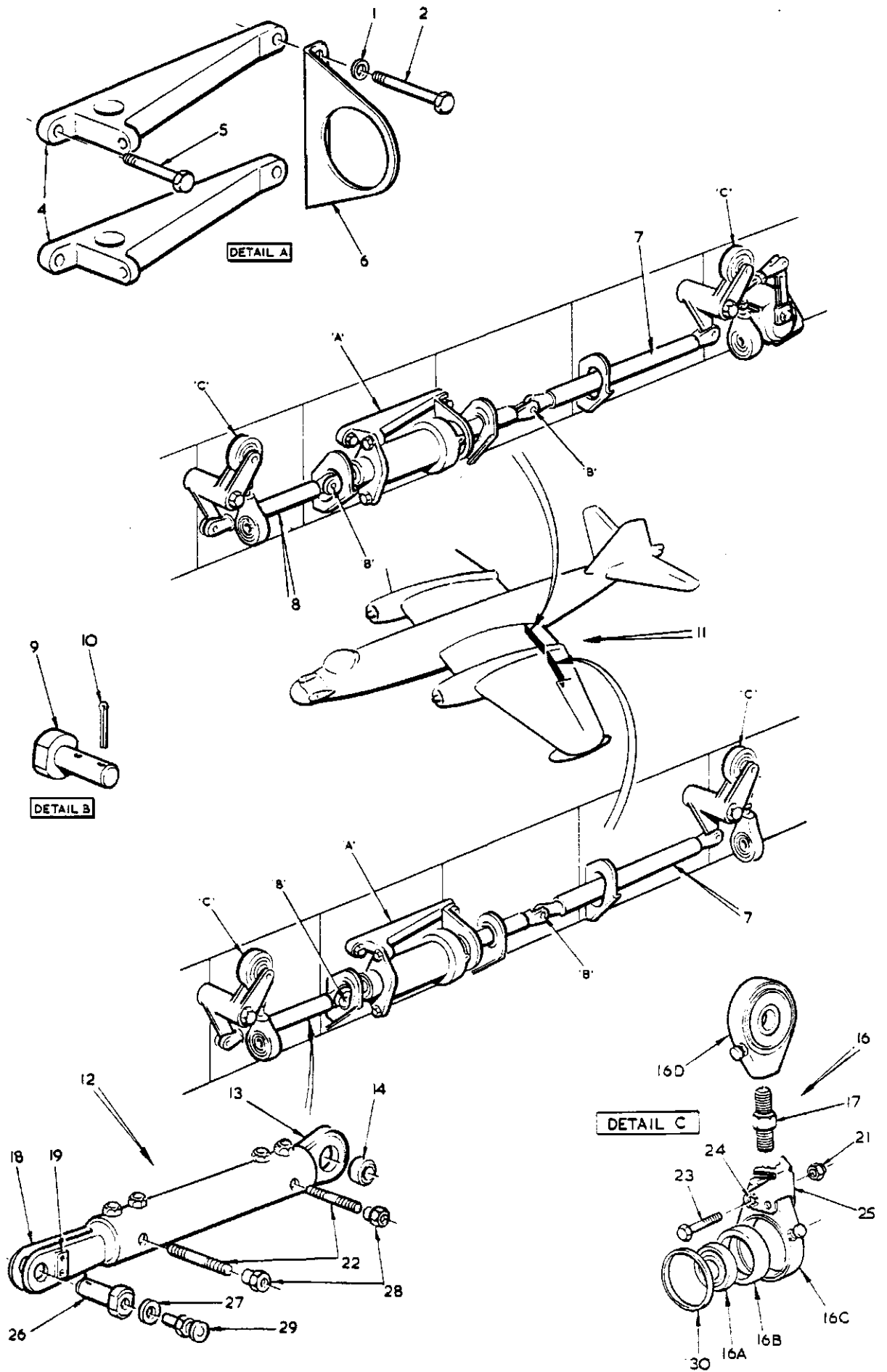


FIG.16 FLAP OPERATING MECHANISM PORT

T.MK.17 SECT. D

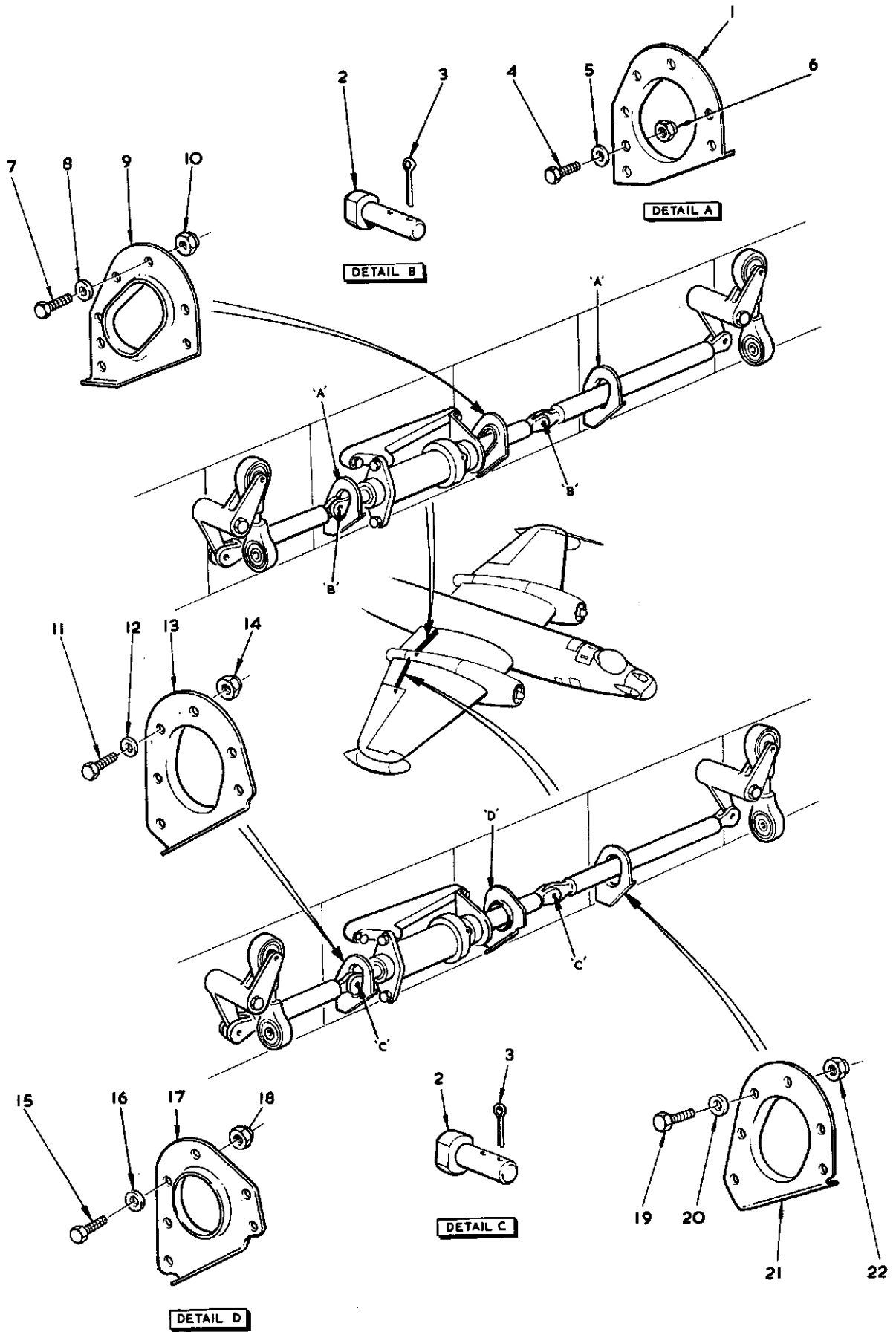


FIG. 17 FLAP OPERATING MECHANISM, STARBOARD
Restricted

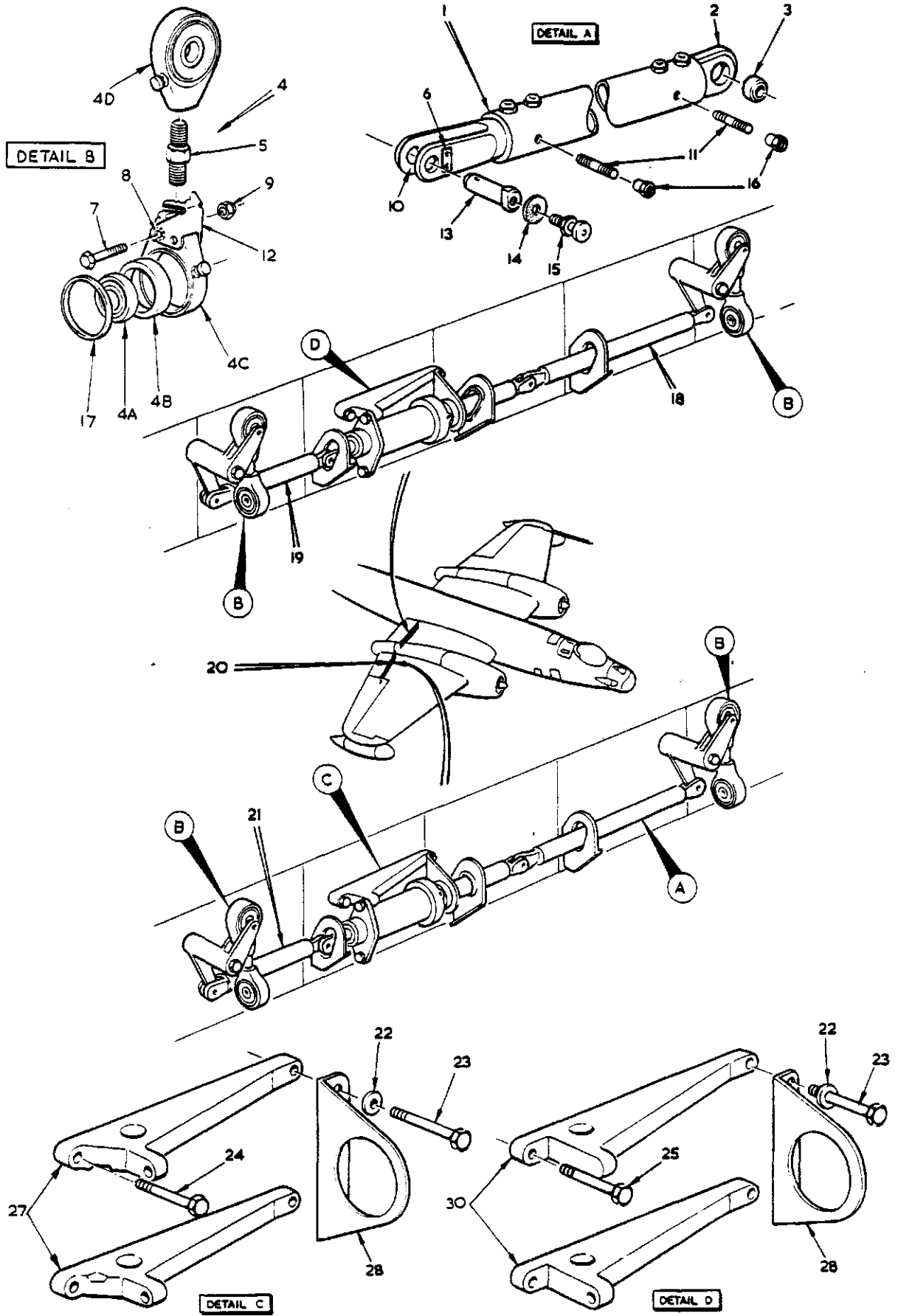


FIG.18 FLAP OPERATING MECHANISM STBD

T. MK.17 SECT. D

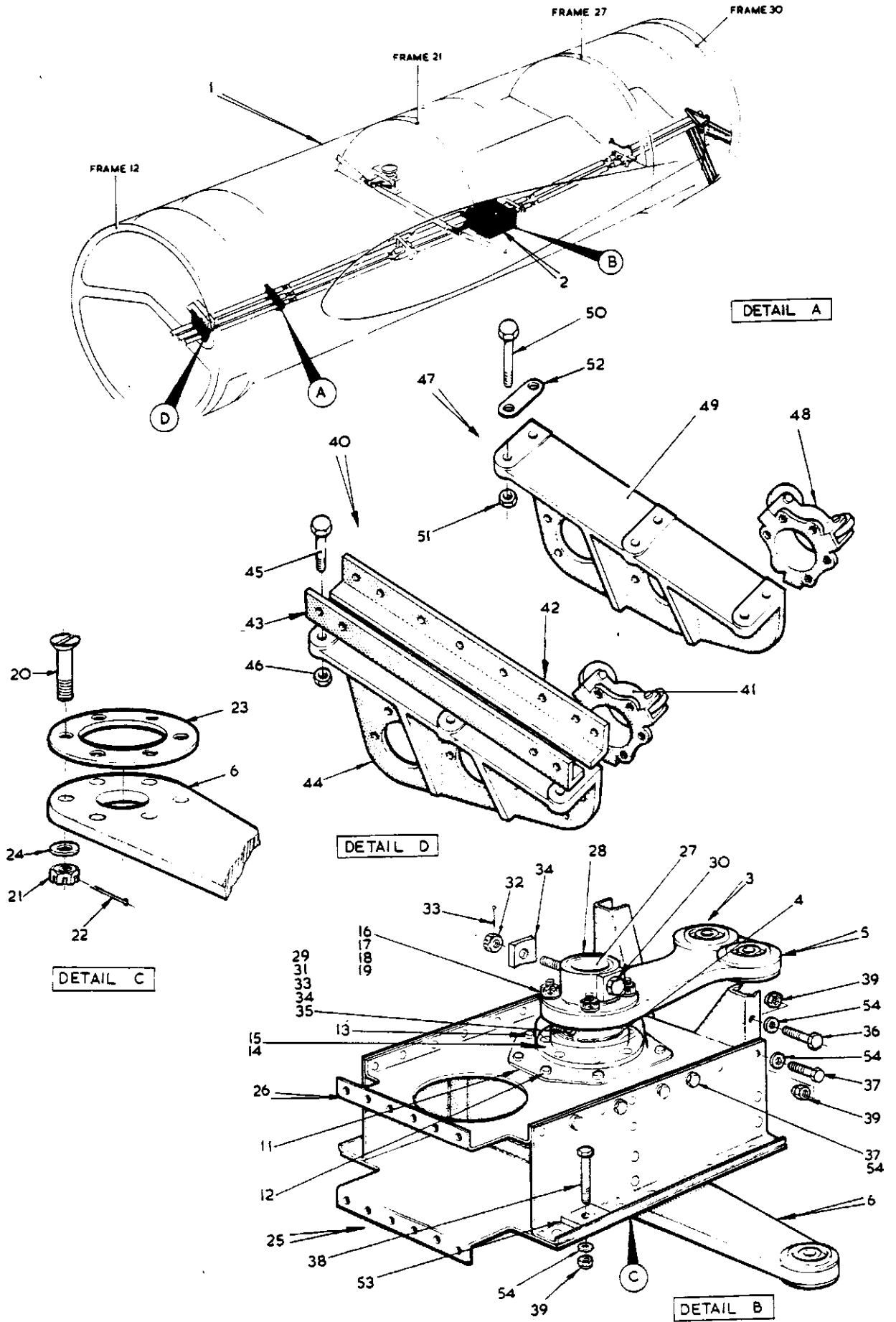


FIG.19 FLYING CONTROLS IN CENTRE FUSELAGE

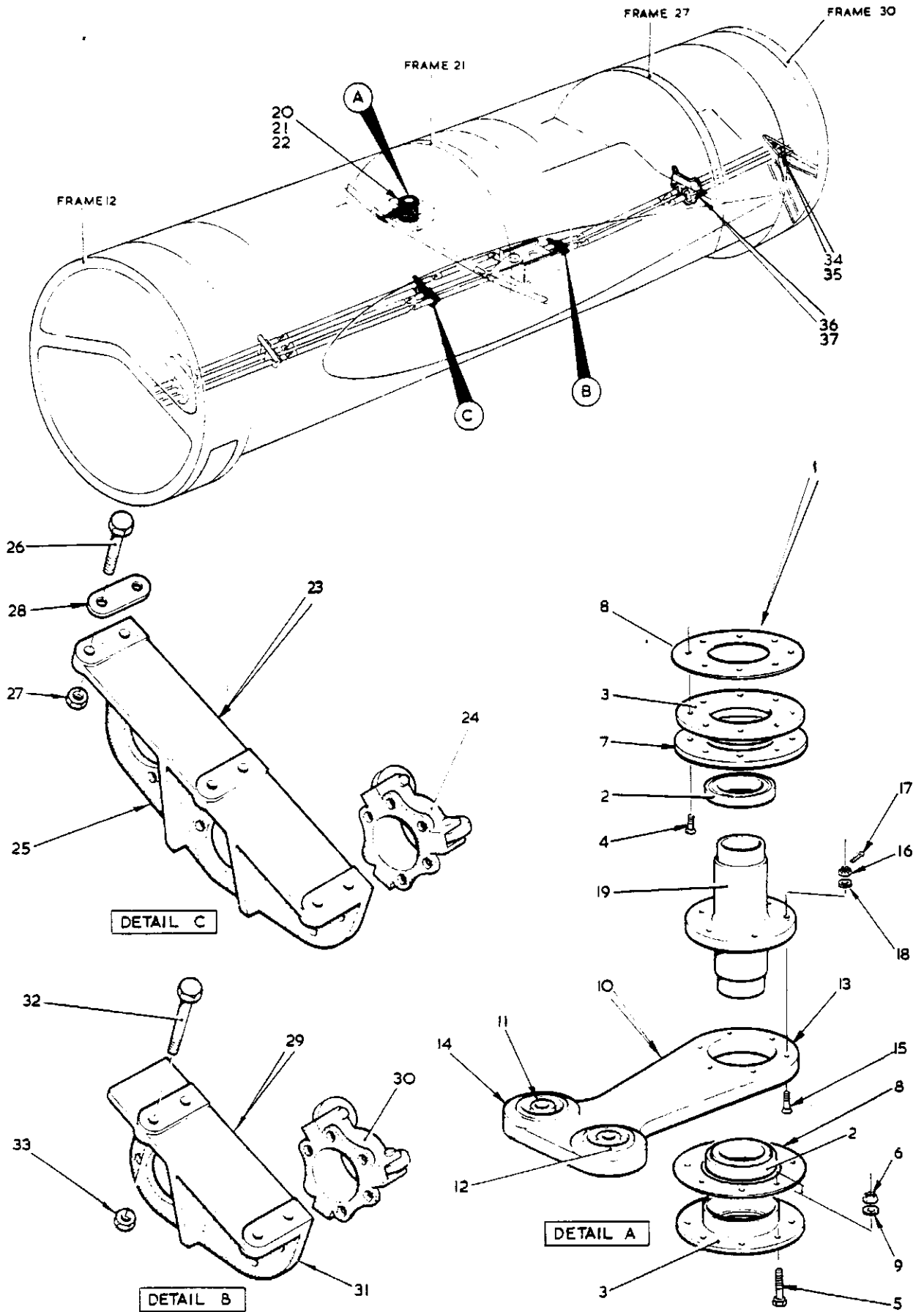


FIG.20 FLYING CONTROLS IN CENTRE FUSELAGE

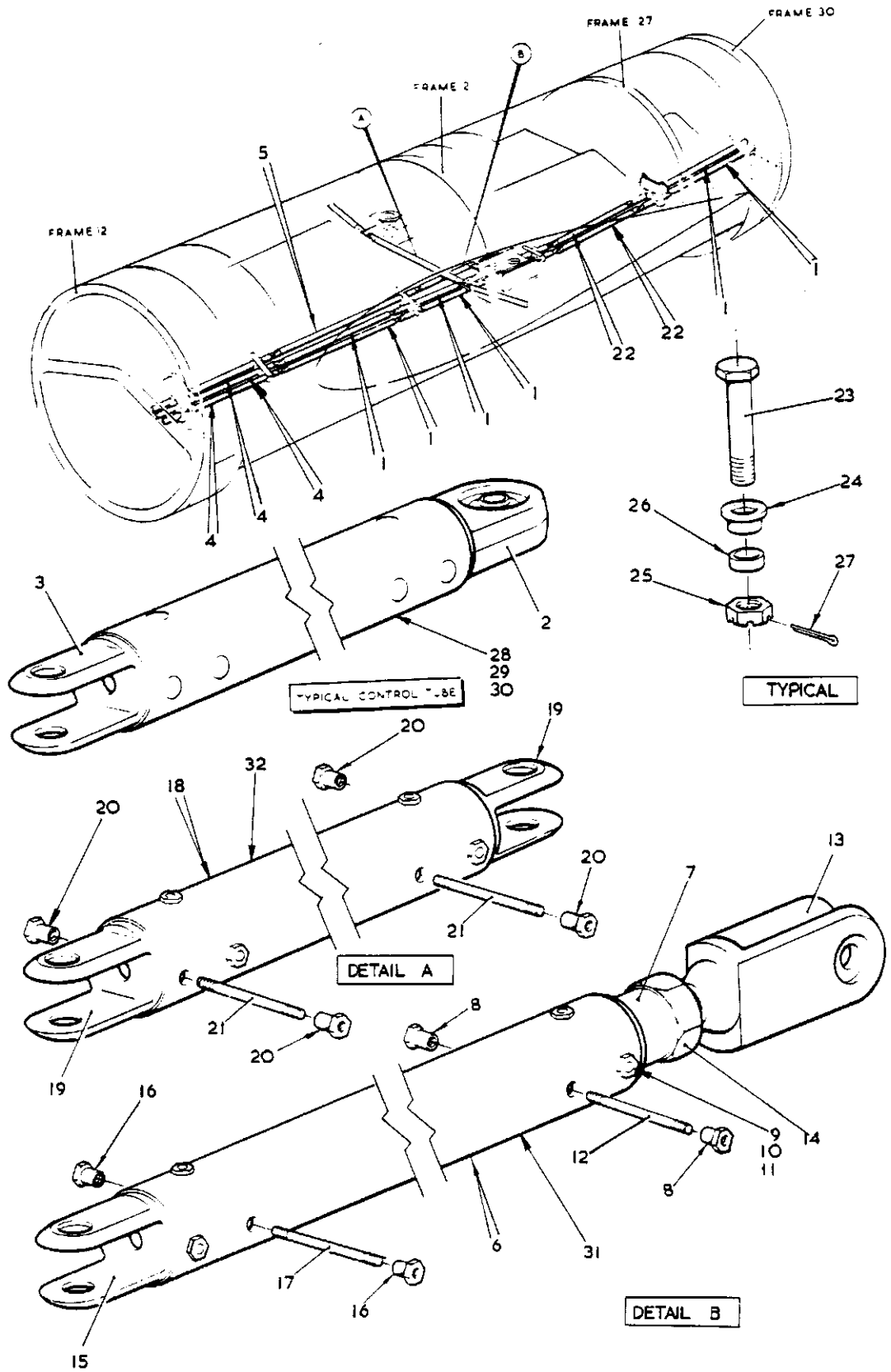


FIG.20A FLYING CONTROLS IN CENTRE FUSELAGE

T.MK.17 SECT. D

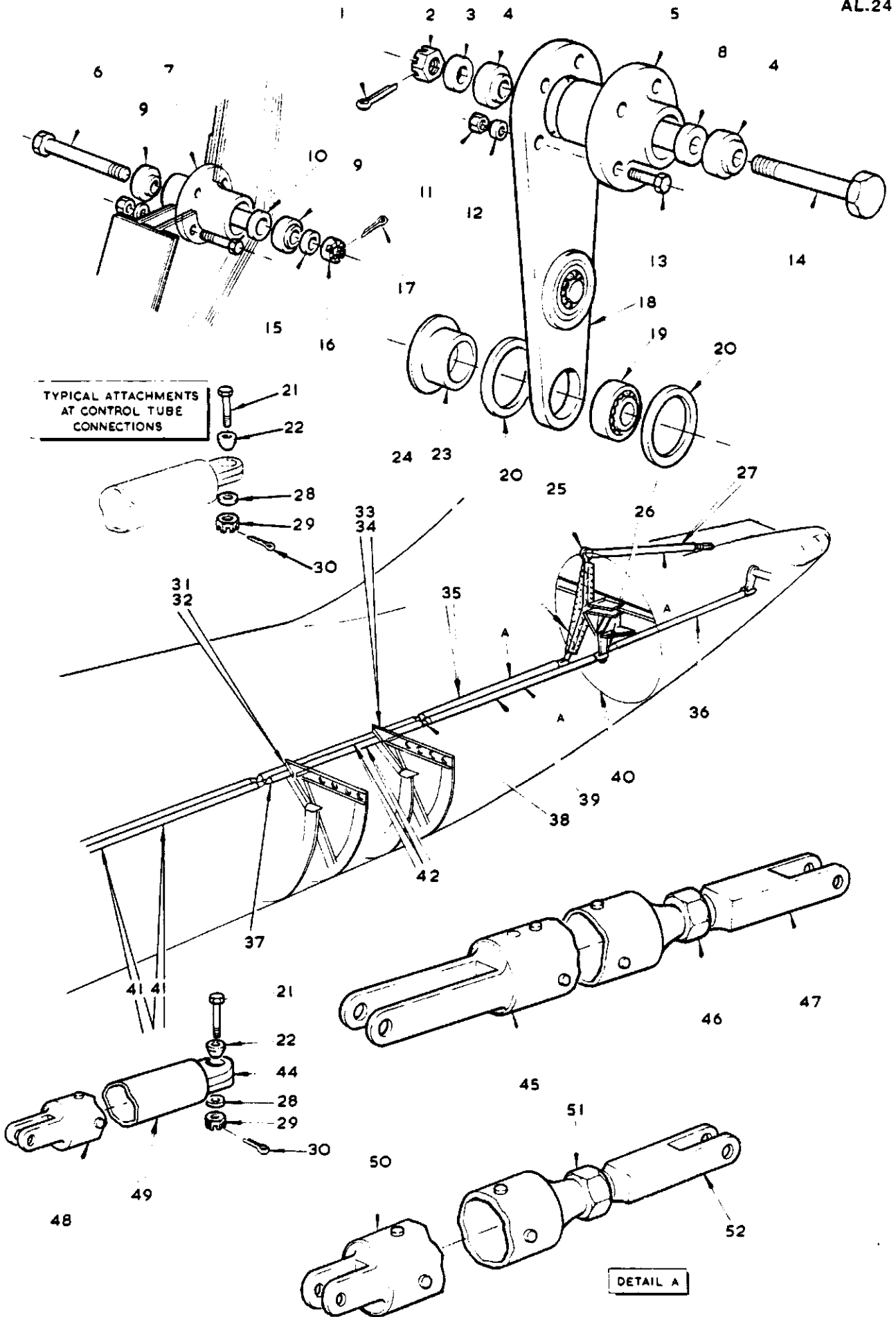


FIG.21 FLYING CONTROLS IN REAR FUSELAGE

This file was downloaded from the RTFM Library.
Link: www.scottbouch.com/rtfm

Please see site for usage terms, and more aircraft documents.

