

## ELECTRICAL

## ELECTRICAL EQUIPMENT IN FRONT FUSELAGE

| Part Number | Description   | No. Off | Mtl. Spec. | Plate No. |
|-------------|---|---------|------------|-----------|
|             |   |         |            |           |
| -           | ELECTRICAL EQUIPMENT IN FRONT FUSELAGE, ASSEMBLY<br>(EG7.81.5) (Pre Mod 5466) | -       | -          |           |
| -           | ELECTRICAL EQUIPMENT IN FRONT FUSELAGE, ASSEMBLY<br>(EG7.81.5605) (Mod 5466)  | -       | -          |           |
| -           | ELECTRICS, HEIGHT ENCODING (Mod 4685 (Part A))<br>(EG7.81.3457)               | -       | -          |           |
| -           | Spares for:-  |         |            |           |
| -           | . . . AMPLIFIER, Mk.1A, INSTALLATION<br>(EG7.81.2217)                         | -       | -          | 14/41     |
| -           | Spares for:-  |         |            |           |
| 6A/4337986  | . . . AMPLIFIER, Mk.1A<br>Attaching parts for 6A/4337986:                     | 1       | -          | 14/40     |
| A25/1C      | . . . Bolt, 2 BA hex. head  | 4       | -          | 14/39     |
| SP15/C      | . . . Washer, 2 BA plain  | 4       | -          | 14/38     |
| AS3360/C5C  | . . . LEAD, bonding   | 1       | -          | 14/37     |
| 703-1-00276 | . . . BLOCK, terminal, 2-way  | 1       | -          | 14/34     |
| EG7.81.3247 | . . . BOX, FUSE, 400 CYCLE, ASSEMBLY (Mod 4420)                               | 1       | -          | 1/1       |
| -           | Spares for:-  |         |            |           |
| EG7.81.765  | . . . BLOCK, FUSE, ASSEMBLY   | 1       | -          | 1/31      |
| -           | Spares for:-  |         |            |           |
| 703-1-00416 | . . . . BLOCK, fuse, 4-way<br>Attaching parts for EG7.81.765:-                | 1       | -          | 1/16      |
| A33/C20     | . . . Screw, 2 BA c'sk head   | 2       | -          | 1/19      |
| AGS585/B    | . . . Washer, spring  | 2       | -          | 1/20      |
| EG7.81.787  | . . . BLOCK, FUSE, ASSEMBLY   | 1       | -          | 1/33      |
| -           | Spares for:-  |         |            |           |
| 703-1-00416 | . . . . BLOCK, fuse, 4-way<br>Attaching parts for EG7.81.787:-                | 1       | -          | 1/16      |
| A33/C20     | . . . Screw, 2 BA c'sk head   | 2       | -          | 1/19      |
| AGS585/B    | . . . Washer, spring  | 2       | -          | 1/20      |
| EG7.81.769  | . . . BLOCK, FUSE, ASSEMBLY   | 1       | -          | 1/34      |
| -           | Spares for:-  |         |            |           |
| 703-1-00416 | . . . . BLOCK, fuse, 4-way<br>Attaching parts for EG7.81.769:-                | 1       | -          | 1/16      |
| A33/C20     | . . . Screw, 2 BA c'sk head   | 2       | -          | 1/19      |
| AGS585/B    | . . . Washer, spring  | 2       | -          | 1/20      |
| EG7.81.771  | . . . BLOCK, FUSE, ASSEMBLY   | 1       | -          | 1/18      |
| -           | Spares for:-  |         |            |           |
| 703-1-00416 | . . . . BLOCK, fuse, 4-way<br>Attaching parts for EG7.81.771:-                | 1       | -          | 1/16      |
| A33/C20     | . . . Screw, 2 BA c'sk head   | 2       | -          | 1/19      |
| AGS585/B    | . . . Washer, spring  | 2       | -          | 1/20      |
| EG7.81.773  | . . . BLOCK, FUSE, ASSEMBLY   | 1       | -          | 1/21      |
| -           | Spares for:-  |         |            |           |
| 703-1-00416 | . . . . BLOCK, fuse, 4-way<br>Attaching parts for EG7.81.773:-                | 1       | -          | 1/16      |
| A33/C20     | . . . Screw, 2 BA c'sk head   | 2       | -          | 1/19      |
| AGS585/B    | . . . Washer, spring  | 2       | -          | 1/20      |
| 703-1-00238 | . . . BLOCK, terminal<br>Attaching parts for 703-1-00238:-                    | 2       | -          | 1/26      |
| AGS2001/B/1 | . . . Nut, stiff, 4 BA  | 4       | -          | 1/15      |
| A33/B28     | . . . Screw, 4 BA c'sk head   | 4       | -          | 1/32      |
| EA3.81.323  | . . . BOX, base   | 1       | -          | 1/35      |
| EA3.81.325  | . . . COVER, assembly   | 1       | -          | 1/7       |
| -           | Spares for:-  |         |            |           |
| EA1.81.542  | . . . . CARRIER, spare fuse, assembly   | 1       | -          | 1/8       |

## ELECTRICAL

## ELECTRICAL EQUIPMENT IN FRONT FUSELAGE

| Part Number     | Description<br>1 2 3 4 5 6         | No.<br>Off  | Mati. Spec. | Plate No. |      |
|-----------------|------------------------------------|---|-------------|-----------|------|
|                 |                                    |   |             |           |      |
| EA3.81.1259     | . . . CLIP, spring                 | 4   | —           | 1/13      |      |
| DTD552 GRADE A  | . . . RUBBER, synthetic, 0.14" dia | QR  | DTD552      | 1/9       |      |
| EEAS117/1       | . . . SCREW, cover                 | 4   | S92         | 1/10      |      |
| EEAS28/2CU      | . . . WASHER                       | 8   | S515        | 1/12      |      |
| EEAS42          | . . . WASHER, leather              | 4   | —           | 1/11      |      |
| EA3.81.327      | . . . DISC, blanking               | 1   | —           | 1/24      |      |
| EA1.81.488      | . . . DISC, blanking               | 1   | —           | 1/29      |      |
| AS5             | . . . FUSE, type AS 5 amp          | 17  | —           | 1/3       |      |
| EEAS62/2        | . . . GLAND                        | 7   | L40         | 1/22      |      |
| EEAS62/3        | . . . GLAND                        | 2   | L40         | 1/27      |      |
| 508/2/07657/003 | . . . NUT, union                   | 1   | —           | 1/28      |      |
| 508/2/07659/003 | . . . NUT, union                   | 1   | —           | 1/23      |      |
| 508/2/07708/200 | . . . RING, sealing                | 1   | —           | 1/30      |      |
| 508/2/07709/200 | . . . RING, sealing                | 1   | —           | 1/25      |      |
| R               | Attaching parts for EG7.81.3247:—  |   |             |           |      |
| A31/C12         | . . . Screw, 2 BA cheese head      | 4   | —           | 1/14      |      |
| R               | EG7.81.3537                        | . . . BOX, FUSE, 400 CYCLE ASSEMBLY<br>(Mod 4865 Part B) (Pre Mod 5466)             | 1           | —         | 1/2  |
| R               | EG7.81.5145                        | . . . BOX, FUSE, 400 CYCLE ASSEMBLY<br>(Mod 5466)<br>Spares for:—                   | 1           | —         |      |
| R               | EG7.81.3613                        | . . . BLOCK, fuse assembly (Mod 4865 Part B)<br>Spares for:—                        | 1           | —         | 1/31 |
| R               | 703-1-00416                        | . . . BLOCK, fuse, 4 way  | 1           | —         | 1/16 |
| R               | EG7.81.3565                        | . . . LABEL, fuse<br>Attaching parts for EG7.81.3613:—                              | 1           | —         |      |
| R               | A33/C20                            | . . . Screw, 2 BA, c'sk head  | 2           | —         | 1/19 |
| R               | AGS585/B                           | . . . Washer, spring  | 2           | —         | 1/20 |
| R               | EG7.81.787                         | . . . BLOCK, fuse assembly (Pre Mod 5466)<br>Spares for:—                           | 1           | —         | 1/33 |
| R               | 703-1-00416                        | . . . BLOCK, fuse, 4 way<br>Attaching parts for EG7.81.767:—                        | 1           | —         | 1/16 |
| R               | A33/C20                            | . . . Screw, 2 BA, c'sk head  | 2           | —         | 1/19 |
| R               | AGS585/B                           | . . . Washer, spring  | 2           | —         | 1/20 |
| R               | EG7.81.769                         | . . . BLOCK, fuse assembly (Pre Mod 5466)   | 1           | —         | 1/34 |
| R               | EG7.81.5459                        | . . . BLOCK, fuse assembly (Mod 5466)<br>Spares for:—                               | 1           | —         |      |
| R               | 703-1-00416                        | . . . BLOCK, fuse, 4 way  | 1           | —         | 1/16 |
| R               | EG7.81.779                         | . . . LABEL, 117-120 (Pre Mod 5466)   | 1           | —         |      |
| R               | EG7.81.5461                        | . . . LABEL, 117-120 (Mod 5466)<br>Attaching parts for EG7.81.769 and EG7.81.5461:— | 1           | —         | 1/36 |
| R               | A33/C20                            | . . . Screw, 2 BA c'sk head   | 2           | —         | 1/19 |
| R               | AGS585/B                           | . . . Washer, spring  | 2           | —         | 1/20 |
| R               | EG7.81.771                         | . . . BLOCK, fuse assembly<br>Spares for:—  | 1           | —         | 1/18 |
| R               | 703-1-00416                        | . . . BLOCK, fuse, 4 way<br>Attaching parts for EG7.81.771:—                        | 1           | —         | 1/16 |
| R               | A33/C20                            | . . . Screw, 2 BA c'sk head   | 2           | —         | 1/19 |
| R               | AGS585/B                           | . . . Washer, spring  | 2           | —         | 1/20 |

A.P.101B-0417-3A

## ELECTRICAL

## ELECTRICAL EQUIPMENT IN FRONT FUSELAGE

| Part Number     | Description  | No.<br>Off | Matl. Spec. | Plate No. |
|-----------------|--|------------|-------------|-----------|
|                 |  |            |             |           |
| EG7.81.773      | . . . BLOCK, fuse assembly<br>Spares for:—                   | 1          | —           | 1/21      |
| 703-1-00416     | . . . BLOCK, fuse, 4 way<br>Attaching parts for EG7.81.773:— | 1          | —           | 1/16      |
| A33/C20         | . . . Screw, 2 BA c'sk head                                  | 2          | —           | 1/19      |
| AGS585/B        | . . . Washer, spring   | 2          | —           | 1/20      |
| 703-1-00238     | . . . BLOCK, terminal<br>Attaching parts for 703-1-00238:—   | 2          | —           | 1/26      |
| AGS2001/B/1     | . . . Nut, stiff, 4 BA                                       | 4          | —           | 1/15      |
| A33/B28         | . . . Screw, 4 BA c'sk head                                  | 4          | —           | 1/32      |
| EG7.81.5385     | . . . BLOCK, fuse assembly (Mod 5466)<br>Spares for:—        |            | —           | 1/37      |
| CZ52815         | . . . BLOCK, fuse, 4 way                                     | 1          | —           | 1/38      |
| EG7.81.5389     | . . . LABEL<br>Attaching parts for EG7.81.5385:—             | 1          | —           | 1/39      |
| A33/C20         | . . . Screw, 2 BA, c'sk head                                 | 2          | —           | 1/19      |
| AGS585/B        | . . . Washer, spring   | 2          | —           | 1/20      |
| EA3.81.323      | . . . BOX, base  | 1          | —           | 1/35      |
| UNIMINYVIN 16   | . . . CABLE, uniminyvin 16                                   | QR         | —           |           |
| EA3.81.325      | . . . COVER, assembly<br>Spares for:—                        | 1          | —           | 1/7       |
| EA1.81.542      | . . . CARRIER, spare fuse assembly                           | 1          | —           | 1/8       |
| EA3.81.1259     | . . . CLIP, spring   | 4          | —           | 1/13      |
| DTD552 GRADE A  | . . . RUBBER, synthetic, 0.14" dia                           | QR         | DTD552      | 1/9       |
| EEAS117/1       | . . . SCREW, cover   | 4          | S92         | 1/10      |
| EEAS28/2CU      | . . . WASHER   | 8          | S515        | 1/12      |
| EEAS42          | . . . WASHER, leather  | 4          | —           | 1/11      |
| UNIMINYVIN 16   | . . . CABLE, uniminyvin 16 (Mod 5466)                        | QR         | —           |           |
| EA3.81.327      | . . . DISC, blanking   | 1          | —           | 1/24      |
| EA1.81.488      | . . . DISC, blanking (Mod.5466)                              | 1          | —           | 1/29      |
| ASS             | . . . FUSE, type AS, 5 amp                                   | 17         | —           | 1/3       |
| EEAS62/2        | . . . GLAND  | 7          | L40         | 1/22      |
| EEAS62/3        | . . . GLAND  | 2          | L40         | 1/27      |
| 703-2-00251     | . . . LINK, 2 way (Pre Mod 5466)                             | 1          | —           |           |
| 703-2-00252     | . . . LINK, 3 way (Mod 5466)                                 | 1          | —           | 1/40      |
| 508/2/07657/003 | . . . NUT, union (Mod.5466)                                  | 1          | —           | 1/28      |
| 508/2/07659/003 | . . . NUT, union   | 1          | —           | 1/23      |
| 508/2/07708/200 | . . . RING, sealing (Mod.5466)                               | 1          | —           | 1/30      |
| 508/2/07709/200 | . . . RING, sealing  | 1          | —           | 1/25      |
| EEAS146/16/3/4  | . . . SLEEVE (Mod 5466)                                      | QR         | —           |           |
| HC500           | . . . TAG, QR (Mod 5466)                                     | 2          | —           |           |

## ELECTRICAL

## ELECTRICAL EQUIPMENT IN FRONT FUSELAGE

| Part Number   | Description  | No. Off | Matl. Spec. | Plate No. |
|---------------|--|---------|-------------|-----------|
|               |  |         |             |           |
| R EG7.81.787  | . BOX, JUNCTION, No.13 ASSEMBLY<br>Spares for:—                | 1       | —           | 9/12      |
| R 703-1-00249 | . . BLOCK, terminal, 20 way<br>Attaching parts:—               | 1       | —           | 9/1       |
| R A43/B24     | . . Screw, 4 BA, cheese head                                   | 2       | —           | 9/4       |
| R EA1.81.589  | . . BOX, junction, 20 way                                      | 1       | —           | 9/2       |
| R Z23197      | . . GASKET<br>Attaching parts:—                                | 1       | —           | 9/3       |
| R A27/AP      | . . Nut, 6 BA, plain   | 4       | —           | 9/7       |
| R A32/A12     | . . Screw, 6 BA, round head                                    | 4       | —           | 9/6       |
| R AGS162/A    | . . Washer, spring   | 4       | —           | 9/5       |
| R EA1.81.598F | . . LID, assembly  | 1       | —           |           |
| R Z50210      | . . LINK, commoning, 2 way                                     | 1       | —           | 9/10      |
| R Z50212      | . . LINK, commoning, 4 way<br>Attaching parts for EG7.81.787:— | 1       | —           | 9/11      |
| R A25/1C      | . Bolt, 2 BA, hex head   | 4       | —           | 9/9       |

## ELECTRICAL

## ELECTRICAL EQUIPMENT IN FRONT FUSELAGE

| Part Number      | Description  | No. Off | Mati. Spec. | Plate No. |
|------------------|--|---------|-------------|-----------|
|                  |  |         |             |           |
| EG7.81.3499      | . BOX, DISTRIBUTION, No.2 ASSEMBLY<br>(Mod.4865 Part B)<br>(Pre Mod.5466)                                      | 1       | -           | 2/1       |
| EG7.81.5529      | . BOX, DISTRIBUTION, No.2 ASSEMBLY (Mod.5466)  | 1       | -           |           |
| -                | . ALTERATIONS TO DISTRIBUTION BOX ASSEMBLY<br>(EG7.81.5649) (Mod.5466)<br>Spares for:-                         | -       | -           |           |
| WB/UN/1146/S/3/W | . . . BLOCK, terminal, 3 way<br>Attaching parts:-  | 1       | -           | 3/9       |
| AGS2001/B/1      | . . . Nut, stiff, 4 BA   | 2       | -           | 3/11      |
| EEAS550/3        | . . . Plate, ident   | 1       | L73         | 3/22      |
| A31/B18          | . . . Screw, 4 BA, cheese head   | 2       | -           | 3/12      |
| 703-1-00249      | . . . BLOCK, terminal, 2 way<br>Attaching parts for 703-1-00249:-  | 10      | -           | 3/19      |
| A31/B24          | . . . Screw, 4 BA cheese head  | 2       | -           | 3/20      |
| SP47/B           | . . . Washer, 4 BA spring  | 2       | -           | 3/21      |
| EG7.81.3521      | . . . BOX, DISTRIBUTION, ASSEMBLY (Mod.4865 Part A)<br>Spares for:-  | 1       | -           | 3/30      |
| EEAS62/2         | . . . . GLAND  | 3       | L40         | 3/26      |
| AGS1757/2        | . . . . GLAND  | 1       | -           | 3/18      |
| EEAS142          | . . . . TERMINAL, earth  | 2       | -           | 3/14      |
| UNINYVIN 12      | . . . CABLE  | QR      | -           | 3/32      |
| UNINYVIN 16      | . . . CABLE  | QR      | -           | 3/39      |
| EG7.81.967       | . . . CABLE, ASSEMBLY, F18, FROM PRESSURE BULKHEAD<br>TO DISTRIBUTION BOX, GROUP<br>Consisting of:-            | 1       | -           |           |
| UNINYVIN 20      | . . . . CABLE  | QR      | -           |           |
| 508/1/07776/001  | . . . . CLAMP, cable   | 1       | -           |           |
| 508/2/07705/300  | . . . . GASKET, outlet   | 1       | -           |           |
| 508/2/07719/300  | . . . . GASKET, union  | 1       | -           |           |
| AGS1658/2        | . . . . NUT, gland   | 1       | -           |           |
| 508/2/07639/001  | . . . . OUTLET, straight   | 1       | -           |           |
| 508/2/07708/300  | . . . . RING, sealing  | 1       | -           |           |
| 508/2/07752/007  | . . . . RING, thrust   | 1       | -           |           |
| AGS1652/7        | . . . . SLEEVE, plain oval   | 1       | -           |           |
| EEAS146/20       | . . . . SLEEVE, 3/4" long, pink  | QR      | -           |           |
| EEAS146/2        | . . . . SLEEVE, 1" long, pink  | 1       | -           |           |
| EEAS146/12       | . . . . SLEEVE, 1" long, pink  | QR      | -           |           |
| 508/1/07003/220  | . . . . SOCKET, free, Mk.7 (T4)  | 1       | -           |           |
| NY18067          | . . . . STRAP, nylon   | QR      | -           |           |
| NY3255           | . . . . STUD, nylon  | QR      | -           |           |
| HC490            | . . . . TAG, quick release   | 3       | -           |           |
| EG7.81.3449      | . . . CABLE, ASSEMBLY, F25, FROM PRESSURE BULKHEAD<br>TO DISTRIBUTION BOX, GROUP (Mod.4493)<br>Consisting of:- | 1       | -           |           |
| UNINYVIN 12      | . . . . CABLE  | QR      | -           |           |
| UNINYVIN 16      | . . . . CABLE  | QR      | -           |           |
| UNINYVIN 20      | . . . . CABLE  | QR      | -           |           |
| Z18500/D         | . . . . FERRULE, size 'D'  | 1       | -           |           |
| CZ24646          | . . . . PLATE, ferrule, assembly   | 1       | -           |           |

R

## ELECTRICAL

## ELECTRICAL EQUIPMENT IN FRONT FUSELAGE

| Part Number         | Description   | No. Off | Matl. Spec. | Plate No. |
|---------------------|---|---------|-------------|-----------|
|                     |   |         |             |           |
| EG7.81.971          | CABLE, ASSEMBLY, F26, FROM PRESSURE BULKHEAD TO DISTRIBUTION BOX, GROUP<br>Consisting of: | 1       | -           |           |
| R UNINYVIN 12       | CABLE,  | QR      | -           |           |
| R UNINYVIN 16       | CABLE,  | QR      | -           |           |
| R UNINYVIN 20       | CABLE,  | QR      | -           |           |
| Z18500/D            | FERRULE, size 'D'   | 1       | -           |           |
| CZ24646             | PLATE, ferrule, assembly  | 1       | -           |           |
| Z18501/D            | RING, clamp size 'D'  | 2       | -           |           |
| Z49428              | SLEEVE, inner   | 13      | -           |           |
| EEAS146/12          | SLEEVE, 3/4" long, pink   | QR      | -           |           |
| EEAS146/16          | SLEEVE, 3/4" long, pink   | QR      | -           |           |
| EEAS146/0000        | SLEEVE, 1" long, pink   | QR      | -           |           |
| 508/1/03961         | SOCKET, standard, size 'D'  | 1       | -           |           |
| HC490               | TAG, quick release  | 13      | -           |           |
| HC500               | TAG, quick release  | 6       | -           |           |
| HC510               | TAG, quick release  | 2       | -           |           |
| 5F/4349856          | TUBE, PVC, 25.4 mm i/d x 1.2 mm wall  | QR      | -           |           |
| EG7.81.975          | CABLE, ASSEMBLY, F28, FROM PRESSURE BULKHEAD TO DISTRIBUTION BOX, GROUP<br>Consisting of: | 1       | -           |           |
| R UNINYVIN 12       | CABLE,  | QR      | -           |           |
| R UNINYVIN 16       | CABLE,  | QR      | -           |           |
| R UNINYVIN 20       | CABLE,  | QR      | -           |           |
| Z18500/D            | FERRULE, size 'D'   | 1       | -           |           |
| CZ24646             | PLATE, ferrule, assembly  | 1       | -           |           |
| CZ18501/D           | RING, clamp, size 'D'   | 2       | -           |           |
| EG7.81.3905         | CABLE, ASSEMBLY, F504 (MOD.4965)<br>Consisting of:  | 1       | -           |           |
| RAYCHEM             |   |         |             |           |
| RAY90-12.5          | BRAID, tinned copper, 3' 6"   | QR      | -           |           |
| PLESSEY             |   |         |             |           |
| 508/1/07776/001     | CLAMP, cable  | 1       | -           |           |
| HELLERMANN DEUTSCH  |   |         |             |           |
| 419206              | PLUG, filler  | 4       | -           |           |
| HELLERMANN DEUTSCH  |   |         |             |           |
| 466.16.26S.059      | PLUG, free, 26-way  | 1       | -           |           |
| EEAS146/2/1%        | SLEEVE  | QR      | -           |           |
| EEAS146/2/1         | SLEEVE  | QR      | -           |           |
| EEAS146/6/1         | SLEEVE  | QR      | -           |           |
| EEAS146/EQ/%        | SLEEVE  | QR      | -           |           |
| EEAS146/EQ/%        | SLEEVE  | QR      | -           |           |
| EEAS146/EQ/%        | SLEEVE  | QR      | -           |           |
| HELLERMANN          |   |         |             |           |
| 213/1/B5            | SLEEVE, 2-way outlet  | 1       | -           |           |
| PLESSEY             |   |         |             |           |
| CPL.01.04.2.113.2.0 | SOCKET, free, 25-way  | 1       | -           |           |
| HELLERMANN          |   |         |             |           |
| HC490               | TAG, quick release  | 7       | -           |           |
| HELLERMANN          |   |         |             |           |
| HC294               | TAG, ring tongue  | 1       | -           |           |
| EL1930              | WIRE, PTFE EQ, 19/0076, blue, type 'B'  | QR      | -           |           |

## ELECTRICAL

## ELECTRICAL EQUIPMENT IN FRONT FUSELAGE

| Part Number     | Description   | No. Off | Mtl. Spec. | Plate No. |
|-----------------|---|---------|------------|-----------|
|                 |   |         |            |           |
| EG7.81.977      | . . . CABLE, ASSEMBLY, F29, FROM PRESSURE BULKHEAD TO DISTRIBUTION BOX, GROUP<br>Consisting of:—  | 1       | —          |           |
| R UNINYVIN 12   | . . . . CABLE   | QR      | —          |           |
| R UNINYVIN 16   | . . . . CABLE   | QR      | —          |           |
| Z18500/D        | . . . . FERRULE, size 'D'   | 1       | —          |           |
| CZ24648         | . . . . PLATE, ferrule, assembly  | 1       | —          |           |
| Z18501/D        | . . . . RING, clamp, size 'D'   | 2       | —          |           |
| Z49397          | . . . . SLEEVE, inner   | 2       | —          |           |
| EEAS146/12      | . . . . SLEEVE, 3/4" long, pink   | QR      | —          |           |
| EEAS146/16      | . . . . SLEEVE, 3/4" long, pink   | QR      | —          |           |
| EEAS146/0000    | . . . . SLEEVE, 1" long, pink   | QR      | —          |           |
| 508/1/03958     | . . . . SOCKET, standard, size 'D'  | 1       | —          |           |
| HC500           | . . . . TAG, quick release  | 2       | —          |           |
| HC510           | . . . . TAG, quick release  | 5       | —          |           |
| R 5F4349856     | . . . . TUBE, P.V.C.25.4 m/mi/d x 1.2m/m wall   | QR      | —          |           |
| EG7.81.979      | . . . CABLE, ASSEMBLY, F402, FROM PRESSURE BULKHEAD TO DISTRIBUTION BOX, GROUP<br>Consisting of:— | 1       | —          |           |
| R UNINYVIN 20   | . . . . CABLE   | QR      | —          |           |
| EEAS111/4       | . . . . FERRULE   | 1       | —          |           |
| 508/2/07707/300 | . . . . GASKET, outlet  | 1       | —          |           |
| 508/2/07661/003 | . . . . NUT, union  | 1       | —          |           |
| 508/2/07645/001 | . . . . OUTLET, straight  | 1       | —          |           |
| CZ24642         | . . . . PLATE, ferrule, assembly  | 1       | —          |           |
| Z18501/B        | . . . . RING, clamp, size 'B'   | 2       | —          |           |
| 508/2/07713/300 | . . . . RING, sealing   | 1       | —          |           |
| EEAS146/20      | . . . . SLEEVE, 3/4" long, pink   | QR      | —          |           |
| EEAS146/00      | . . . . SLEEVE, 1" long, pink   | QR      | —          |           |
| EG7.81.3463     | . . . CABLE, assembly, C504 (Mod. 4865)<br>Consisting of:—  | 1       | —          |           |
| 508/1/07029/220 | . . . . PLUG, free, 12-way Mk. 7 (T4)   | 1       | —          |           |
| HELLERMANN      | . . . . RECEPTACLE  | 1       | —          |           |
| 460.14.19P.059  |   |         |            |           |
| HV3254          | . . . . STRAP, helsyn   | QR      | —          |           |
| NY3255          | . . . . STUD, nylon   | QR      | —          |           |

## ELECTRICAL

## ELECTRICAL EQUIPMENT IN FRONT FUSELAGE

| Part Number     | Description  | No. Off | Mtl. Spec. | Plate No. |
|-----------------|--|---------|------------|-----------|
|                 |  |         |            |           |
| 508/1/07016/220 | . . . SOCKET, free, Mk. 7 (T4)   | 1       | -          |           |
| R NY18007A      | . . . STRAP, nylon   | QR      | -          |           |
| NY3255          | . . . STUD, nylon  | QR      | -          |           |
| HC490           | . . . TAG, quick release   | 19      | -          |           |
| R 5F1018176     | . . . TUBE, P.V.C. ".625 i/d x .04 " wall  | QR      | -          |           |
| EG7.81.981      | . . . CABLE, ASSEMBLY, F66, FROM PRESSURE<br>BULKHEAD TO DISTRIBUTION BOX,<br>GROUP<br>Consisting of:- | 1       | -          |           |
| R UNINYVIN 16   | . . . CABLE  | QR      | -          |           |
| R UNINYVIN 20   | . . . CABLE  | QR      | -          |           |
| Z18500/C        | . . . FERRULE, size 'C'  | 1       | -          |           |
| CZ24644         | . . . PLATE, ferrule, assembly   | 1       | -          |           |
| Z18501/C        | . . . RING, clamp, size 'C'  | 2       | -          |           |
| Z49397          | . . . SLEEVE, inner  | 2       | -          |           |
| Z49428          | . . . SLEEVE, inner  | 2       | -          |           |
| EEAS146/16      | . . . SLEEVE, 3/4" long, pink  | QR      | -          |           |
| EEAS146/0000    | . . . SLEEVE, 1" long, pink  | QR      | -          |           |
| 508/1/03954     | . . . SOCKET, standard, size 'C'   | 1       | -          |           |
| NY18007         | . . . STRAP, nylon   | QR      | -          |           |
| NY3255          | . . . STUD, nylon  | QR      | -          |           |
| HC490           | . . . TAG, quick release   | 2       | -          |           |
| HC500           | . . . TAG, quick release   | 6       | -          |           |
| R 5F4349855     | . . . TUBE, P.V.C. 19.0 m/m i/d x 1.2 m/m wall   | QR      | -          |           |
| EG7.81.983      | . . . CABLE, ASSEMBLY, F72, FROM PRESSURE<br>BULKHEAD TO DISTRIBUTION BOX,<br>GROUP<br>Consisting of:- | 1       | -          |           |
| R UNINYVIN 12   | . . . CABLE  | QR      | -          |           |
| R UNINYVIN 16   | . . . CABLE  | QR      | -          |           |
| R UNINYVIN 20   | . . . CABLE  | QR      | -          |           |
| Z18500/D        | . . . FERRULE, size 'D'  | 1       | -          |           |
| CZ24646         | . . . PLATE, ferrule, assembly   | 1       | -          |           |
| Z18501/D        | . . . RING, clamp, size 'D'  | 2       | -          |           |
| Z49428          | . . . SLEEVE, inner  | 8       | -          |           |
| EEAS146/12      | . . . SLEEVE, 3/4" long, pink  | QR      | -          |           |
| EEAS146/16      | . . . SLEEVE, 3/4" long, pink  | QR      | -          |           |
| EEAS146/0000    | . . . SLEEVE, 1" long, pink  | QR      | -          |           |
| 508/1/03961     | . . . SOCKET, standard, size 'D'   | 1       | -          |           |

## ELECTRICAL

## ELECTRICAL EQUIPMENT IN FRONT FUSELAGE

| Part Number     | 1 2 3 4 5 6 | Description  | No.<br>Off | Mati. Spec. | Plate No. |
|-----------------|-------------|--|------------|-------------|-----------|
|                 |             |  |            |             |           |
| NY18007A        | . . .       | STRAP, nylon   | QR         | -           |           |
| NY3255          | . . .       | STUD, nylon  | QR         | -           |           |
| HC490           | . . .       | TAG, quick release   | 8          | -           |           |
| HC500           | . . .       | TAG, quick release   | 2          | -           |           |
| HC510           | . . .       | TAG, quick release   | 1          | -           |           |
| 5F/2038         | . . .       | TUBE, PVC, 25.4 mm i/d x 1.2 mm wall   | QR         | -           |           |
| EG7.81.2733     | . . .       | CABLE, ASSEMBLY, F18E, FROM PRESSURE<br>BULKHEAD TO D.C. COMPARTMENT,<br>A.C. COMPARTMENT AND U.V. PHASE<br>SEQUENCE UNIT, GROUP<br>Consisting of: | 1          | -           |           |
| R UNINYVIN 12   | . . .       | CABLE,   | QR         | -           |           |
| R UNINYVIN 20   | . . .       | CABLE,   | QR         | -           |           |
| R UNINYVIN 22   | . . .       | CABLE,   | QR         | -           |           |
| 508/1/07776/003 | . . .       | CLAMP, cable   | 1          | -           |           |
| Z18500/D        | . . .       | FERRULE, size 'D'  | 1          | -           |           |
| 508/2/07719/200 | . . .       | GASKET, union  | 1          | -           |           |
| CZ24646         | . . .       | PLATE, ferrule, assembly   | 1          | -           |           |
| Z18501/D        | . . .       | RING, clamp, size 'D'  | 2          | -           |           |
| 508/2/07708/200 | . . .       | RING, sealing  | 1          | -           |           |
| 508/2/07752/007 | . . .       | RING, thrust   | 1          | -           |           |
| FR/T/54         | . . .       | SHEATH, PVC, 25.4 mm i/d   | QR         | -           |           |
| Z49428          | . . .       | SLEEVE, inner  | 13         | -           |           |
| EEAS146/6       | . . .       | SLEEVE, 1/2" long  | QR         | -           |           |
| EEAS146/12      | . . .       | SLEEVE, 1/2" long  | QR         | -           |           |
| EEAS146/12      | . . .       | SLEEVE, 3/4" long  | QR         | -           |           |
| EEAS146/20      | . . .       | SLEEVE, 3/4" long  | QR         | -           |           |
| EEAS146/20      | . . .       | SLEEVE, 3/4" long, red   | QR         | -           |           |
| EEAS146/20      | . . .       | SLEEVE, 3/4" long, white   | QR         | -           |           |
| EEAS146/20      | . . .       | SLEEVE, 3/4" long, blue  | QR         | -           |           |
| EEAS146/6       | . . .       | SLEEVE, 1" long  | QR         | -           |           |
| EEAS146/2       | . . .       | SLEEVE, 1" long  | QR         | -           |           |
| EEAS146/B       | . . .       | SLEEVE, 1" long  | QR         | -           |           |
| EEAS146/B       | . . .       | SLEEVE, 1 1/2" long  | QR         | -           |           |
| 508/1/03961     | . . .       | SOCKET, standard, size 'D'   | 1          | -           |           |
| HC294           | . . .       | TAG, ring tongue   | 1          | -           |           |
| HC296           | . . .       | TAG, ring tongue   | 7          | -           |           |
| HC490           | . . .       | TAG, quick release   | 22         | -           |           |
| HC510           | . . .       | TAG, quick release   | 1          | -           |           |

## ELECTRICAL

## ELECTRICAL EQUIPMENT IN FRONT FUSELAGE

| Part Number     | Description   | No. Off | Mati. Spec. | Plate No. |
|-----------------|---|---------|-------------|-----------|
|                 |   |         |             |           |
| EA2.81.795      | . . . CARRIER, spare fuse, 4-way<br>Attaching parts for EA2.81.795:—            | 1       | —           | 3/35      |
| AGS2001/A/1     | . . . Nut, stiff, 6 BA  | 2       | —           | 3/38      |
| A31/A12         | . . . Screw, 6 BA cheese head   | 2       | —           | 3/37      |
| 10C/0115565     | . . . CAPACITOR, fused, 0.25" for 350 volt                                      | 2       | —           | 3/15      |
| EG7.81.3523     | . . . COVER, assembly, distribution box (Mod 4685)                              | 1       | —           | 2/43      |
| 10H/1047920     | . . . FUSE, dummy (Pre Mod 5466)  | 2       | —           | 2/24      |
| 10H/9463981     | . . . FUSE, type AS, 5 amp (Mod 4685)   | 10      | —           | 2/8       |
| 10H/23862       | . . . FUSE, 10 amp (Mod 5466)   | 2       | —           |           |
| 2284912/C       | . . . GASKET, plug  | 8       | —           | 3/43      |
| 508/1/04585/002 | . . . INSERT, socket  | 3       | —           | 3/7       |
| 508/1/05602/002 | . . . INSERT, socket  | 3       | —           | 3/8       |
| Z50210          | . . . LINK, 2-way (Mod 4685)  | 8       | —           | 3/17      |
| Z50211          | . . . LINK, 3-way (Mod 4685)  | 1       | BS267       | 2/9       |
| Z50218          | . . . LINK, 10-way  | 1       | —           | 3/40      |
| WARD BROOKE     |   |         |             |           |
| WB/1146/73      | . . . LINK, connecting  | 1       | —           | 3/10      |
| 703-2-00465     | . . . LINK, commoning (Mod 4685) (Mod.5466)                                     | 1       | —           |           |
| 508/2/03547/002 | . . . PIN, plug   | 6       | —           | 3/31      |
| 508/2/03547/002 | . . . PIN, contact 16 (Mod 4685)  | 2       | —           |           |
| EG7.81.3619     | . . . PLATE, BASE, ASSEMBLY (Mod 4685 Part B)<br>(Pre Mod 5466)<br>Spares for:— | 1       | —           | 2/2       |
| EG7.81.873      | . . . BLOCK, FUSE, ASSEMBLY<br>Spares for:—                                     | 1       | —           | 2/3       |
| 703-1-00416     | . . . BLOCK, fuse, 4-way  | 1       | —           | 2/5       |
| EG7.81.875      | . . . LABEL<br>Attaching parts for EG7.81.873:—                                 | 1       | —           |           |
| A31/B12         | . . . Screw, 4 BA cheese head   | 2       | —           | 2/6       |
| SP47/B          | . . . Washer, 4 BA spring   | 2       | —           | 2/7       |
| EG7.81.3617     | . . . BLOCK, FUSE, ASSEMBLY<br>Spares for:—                                     | 1       | —           | 2/4       |
| 703-1-00416     | . . . BLOCK, fuse, 4-way  | 1       | —           | 2/5       |
| EG7.81.3561     | . . . LABEL<br>Attaching parts for EG7.81.3617:—                                | 1       | —           |           |
| A31/B12         | . . . Screw, 4 BA cheese head   | 2       | —           | 2/6       |
| SP47/B          | . . . Washer, 4 BA spring   | 2       | —           | 2/7       |
| EL34331         | . . . SWITCH, magnetic relay, type S7<br>Attaching parts for EL34331:—          | 2       | —           | 2/22      |
| AGS2001/A/1     | . . . Nut, stiff, 6 BA  | 4       | —           | 2/23      |
| 5CW/1057538     | . . . SWITCH, magnetic relay, 20B No.3<br>Attaching parts for 5CW/1057538:—     | 2       | —           | 2/10      |
| A31/B36         | . . . Screw, 4 BA cheese head   | 3       | —           | 2/11      |
| SP13/B          | . . . Washer, 4 BA plain  | 3       | —           | 2/12      |
| SMITH 213 MV    | . . . TRANSFORMER<br>Attaching parts for 213 MV:—                               | 2       | —           | 2/21      |
| AGS2001/B/1     | . . . Nut, stiff, 4 BA  | 4       | —           | 2/19      |
| A31/B12         | . . . Screw, 4 BA cheese head<br>Attaching parts for EG7.81.3619:—              | 4       | —           | 2/20      |
| A31/B12         | . . . Screw, 4 BA cheese head   | 5       | —           | 2/25      |
| SP13/B          | . . . Washer, 4 BA plain  | 5       | —           | 2/26      |

## ELECTRICAL

## ELECTRICAL EQUIPMENT IN FRONT FUSELAGE

| Part Number       | Description   | No. Off | Matl. Spec. | Plate No. |
|-------------------|---|---------|-------------|-----------|
|                   |   |         |             |           |
| R EG7.81.5525     | . . . PLATE, BASE ASSEMBLY (Mod 5466)<br>Spares for:—                           | 1       | —           | 2A/1      |
| R EG7.81.873      | . . . BLOCK, fuse assembly<br>Spares for:—                                      | 1       | —           | 2A/2      |
| R 703-1-00416     | . . . . BLOCK, fuse, 4 way  | 1       | —           | 2A/3      |
| R EG7.81.875      | . . . . LABEL<br>Attaching parts for EG7.81.873:—                               | 1       | —           | 2A/4      |
| R A31/B12         | . . . . Screw, cheese head, 4 BA  | 2       | —           | 2A/5      |
| R SP47/B          | . . . . Washer, spring, 4 BA  | 2       | —           | 2A/6      |
| R EG7.81.5531     | . . . BLOCK, fuse assembly<br>Spares for:—                                      | 1       | —           | 2A/7      |
| R 703-1-00416     | . . . . BLOCK, fuse, 4 way  | 1       | —           | 2A/8      |
| R EG7.81.5527     | . . . . LABEL<br>Attaching parts for EG7.81.5531:—                              | 1       | —           | 2A/9      |
| R A31/B12         | . . . . Screw, cheese head, 4 BA  | 2       | —           | 2A/10     |
| R SP47/B          | . . . . Washer, spring, 4 BA  | 2       | —           | 2A/11     |
| R SP40/A10        | . . . GROMMET   | 1       | —           | 2A/12     |
| R EG7.81.5523     | . . . PLATE, base assembly<br>Spares for:—                                      | 1       | —           | 2A/13     |
| R EG7.81.5521     | . . . . PLATE, base   | 1       | —           | 2A/14     |
| R EG7.81.5513     | . . . . PLATE, mounting   | 1       | —           | 2A/15     |
| R EG7.81.5515     | . . . . PLATE, mounting<br>Attaching parts for EG7.81.5513 and<br>EG7.81.5515:— | 1       | —           | 2A/16     |
| R AGS2001/A1      | . . . . Nut, stiff, 6 BA  | 4       | —           | 2A/17     |
| R EG7.81.5517     | . . . . Packer  | 1       | —           | 2A/18     |
| R A31/A28         | . . . . Screw, cheese head, 6 BA  | 4       | —           | 2A/19     |
| R SP15/A          | . . . . Washer  | 4       | —           | 2A/20     |
| R PAN6432-IN20    | . . . . PLUG, filler  | QR      | —           | 2A/21     |
| R PAN6542-28-10-2 | . . . . RELAY, 2 pole   | 2       | —           | 2A/22     |
| R PAN6542-28-10-4 | . . . . RELAY, 4 pole   | 1       | —           | 2A/23     |
| R 5CW/10678       | . . . . RELAY, 20B No.3<br>Attaching parts for 5CW/10678:—                      | 2       | —           | 2A/24     |
| R A31/B36         | . . . . Screw, cheese head, 4 BA  | 3       | —           | 2A/25     |
| R SP13/B          | . . . . Washer  | 3       | —           | 2A/26     |
| R PAN6544         | . . . . SOCKET, relay   | 2       | —           | 2A/27     |
| R PAN6545         | . . . . SOCKET, relay   | 1       | —           | 2A/28     |
| R 6A/2715         | . . . . TRANSFORMER, 213 MV<br>Attaching parts for 6A/2715:—                    | 2       | —           | 2A/29     |
| R AGS2001/B1      | . . . . Nut, stiff, 4 BA  | 4       | —           | 2A/30     |
| R A31/B12         | . . . . Screw, cheese head, 4 BA  | 4       | —           | 2A/31     |

ELECTRICAL

ELECTRICAL EQUIPMENT IN FRONT FUSELAGE

| Part Number | Description<br>1 2 3 4 5 6 | No.<br>Off | Matl. Spec. | Plate No. |
|-------------|----------------------------|------------|-------------|-----------|
|             |                            |            |             |           |

## ELECTRICAL

## ELECTRICAL EQUIPMENT IN FRONT FUSELAGE

| Part Number    | Description   | No. Off | Matl. Spec. | Plate No. |
|----------------|---|---------|-------------|-----------|
|                |   |         |             |           |
| EG7.81.2169    | . . PLATE, relay mounting<br>Attaching parts for EG7.81.2169:—  | 1       | L72         | 2/32      |
| A31/B36        | . . Screw, 4 BA cheese head                                     | 4       | —           | 2/38      |
| AS2810-4-075   | . . Tube, distance  | 4       | L62         | 2/30      |
| SP15/B         | . . Washer, 4 BA plain  | 4       | —           | 2/40      |
| 508/1/06394    | . . PLUG, standard, size 'A'                                    | 1       | —           | 3/23      |
| 508/1/06402    | . . PLUG, standard, size 'B'                                    | 1       | —           | 2/35      |
| 508/1/06406    | . . PLUG, standard, size 'C'                                    | 5       | —           | 2/27      |
| 508/1/06413    | . . PLUG, standard, size 'D'                                    | 5       | —           | 2/39      |
| UK-AN          |   |         |             |           |
| 8000-14S-6P    | . . PLUG, fixed, 6-way  | 1       | —           | 3/33      |
| 508/2/04367    | . . PLUG, filler  | 2       | —           | 3/4       |
| PAN6432-IN20   | . . PLUG, filler (Mod 5466)                                     | QR      | —           |           |
| Z49397         | . . SLEEVE, inner (Pre SAS4745)                                 | 8       | —           | 2/28      |
| Z49397         | . . SLEEVE (SAS4745)  | 12      | —           |           |
| Z49428         | . . SLEEVE, inner   | 86      | —           | 2/29      |
| M.A.M.         | . . SLEEVE, 3/8" long x 3 mm i/d                                | QR      | —           | 2/15      |
| M.A.M.         | . . SLEEVE, 3/8" long x 3 mm i/d, red                           | QR      | —           | 2/16      |
| M.A.M.         | . . SLEEVE, 3/8" long x 3 mm i/d, white                         | QR      | —           | 2/17      |
| M.A.M.         | . . SLEEVE, 3/8" long x 3 mm i/d, blue                          | QR      | —           | 2/18      |
| Z2139623       | . . SLEEVE, packing   | 1       | —           | 3/8       |
| 508/2/15664    | . . SLEEVE, packing (Mod 4865)                                  | 2       | —           |           |
| EEAS146/EQ     | . . SLEEVE, 3/4" long   | QR      | —           | 2/13      |
| EEAS146/12     | . . SLEEVE, 3/4" long   | QR      | —           | 2/33      |
| EEAS146/16     | . . SLEEVE, 3/4" long   | QR      | —           | 2/34      |
| EEAS146/16     | . . SLEEVE, 3/4" long, red                                      | QR      | —           | 3/3       |
| EEAS146/16     | . . SLEEVE, 3/4" long, white                                    | QR      | —           | 3/2       |
| EEAS146/16     | . . SLEEVE, 3/4" long, blue                                     | QR      | —           | 3/1       |
| PAN6469/A1     | . . SLEEVE, blind (Mod 5466)                                    | QR      | —           |           |
| EEAS146/20-3/4 | . . SLEEVE, 3/4" long (Mod 5466)                                | QR      | —           |           |
| UK-AN          |   |         |             |           |
| 8000-14S-6S    | . . SOCKET, fixed, 6-way  | 1       | —           | 3/5       |
| NY18007        | . . STRAP, nylon  | QR      | —           | 3/4       |
| NY3255         | . . STUD, nylon   | QR      | —           | 3/4       |
| EL34331        | . . SWITCH, magnetic relay, type S7                             | 2       | —           | 2/36      |
| EL34333        | . . SWITCH, magnetic relay, type S9                             | 2       | —           | 2/37      |
| AGS2001/A/1    | Attaching parts for EL34331 and EL34333<br>. . Nut, stiff, 6 BA | 16      | —           | 2/31      |
| HC294          | . . TAG, ring tongue  | 6       | —           | 2/13      |
| HC500          | . . TAG, quick release (Mod 4865)                               | 3       | —           |           |

## ELECTRICAL

## ELECTRICAL EQUIPMENT IN FRONT FUSELAGE

|   | Part Number     | Description   | No. Off | Matl. Spec. | Plate No. |
|---|-----------------|---|---------|-------------|-----------|
|   |                 |   |         |             |           |
| R | HC296           | . . . TAG, ring tongue (Pre Mod 5466)                                   | 46      | -           | 2/14      |
| R | HC296           | . . . TAG, RT (Mod 5466)  | 53      | -           |           |
|   | HC304           | . . . TAG, ring tongue  | 4       | -           | 3/16      |
|   | HC306B          | . . . TAG, ring tongue  | 1       | -           | 2/41      |
|   | HC314           | . . . TAG, ring tongue  | 2       | -           | 3/44      |
| R | HC490           | . . . TAG, quick release (Pre Mod 5466)                                 | 170     | -           | 3/24      |
| R | HC490           | . . . TAG, QR (Mod 5466)  | 181     | -           |           |
|   | HC500           | . . . TAG, quick release  | 43      | -           | 3/25      |
|   | HC510           | . . . TAG, quick release  | 16      | -           | 3/27      |
|   | 2Z139596        | . . . WASHER, panel packing   | 2       | -           | 3/29      |
|   | PTFE37.0076     | . . . WIRE, equip., PTFE, 37.0076, brown                                | QR      | -           | 3/28      |
|   | PTFE19.0076     | . . . WIRE, equip., PTFE, 19.0076, blue                                 | QR      | -           | 3/34      |
|   | PTFE19.006      | . . . WIRE, equip., PTFE, 19.006, red                                   | QR      | -           | 3/36      |
| R | PAN6423AP006    | . . . WIRE (Mod 5466)   | QR      | -           |           |
|   |                 | Attaching parts for EG7.81.2481:-                                       |         |             |           |
|   | A25/1C          | . Bolt, 4 BA hex. head  | 4       | -           | 2/42      |
|   | EG7.81.1107     | . BOX, RADIO FUSE AND RELAY, ASSEMBLY<br>(Pre Mod 5176)                 | 1       | -           | 5/8       |
|   |                 | Spares for:-  |         |             |           |
|   | 1/SC95403       | . . . ANGLE (Mod 4926)  | 1       | -           |           |
|   | 1/SC95404       | . . . ANGLE (Mod 4926)  | 1       | -           |           |
|   | 703-1-00249     | . . . BLOCK, terminal, 20-way   | 2       | -           | 6/15      |
|   | EG7.81.1109     | . . . BOX, sub-assembly   | 1       | -           | 5/9       |
|   | 508/1/04866/100 | . . . CAP, protective   | 1       | -           | 6/7       |
|   | 32C/600         | . . . CHANNEL, beading (Mod 4926)<br>(Secure with Titebond 33H/9166565) | QR      | -           | 5/16      |
|   | AS3180/9B       | . . . CLIP, cable   | 2       | -           | 6/26      |
|   |                 | Attaching parts for AS3180/9B:  |         |             |           |
|   | AGS2001/B/1     | . . . Nut, stiff, 4 BA  | 1       | -           | 6/28      |
|   | A31/B16         | . . . Screw, 4 BA cheese head   | 1       | -           | 6/25      |
|   | EEAS237/6A      | . . . Washer, 'D'   | 1       | L72         | 6/27      |
|   | CP191764        | . . . CONTROL, radio set, type 1607/2 (Mod 4926)                        | 1       | -           |           |
|   | 703-1-00266     | . . . COVER, 20-way   | 2       | -           | 6/1       |
|   | HELLERMANN      |   |         |             |           |
|   | EE11/2          | . . . EXTRUSION, section  | QR      | -           | 5/16      |
|   | WIS10112C1      | . . . FUSE, type AS, 5 amp (Pre SAS4745)                                | 4       | -           | 5/36      |
|   | WIS10112C1      | . . . FUSE, type AS, 5 amp (SAS4745)                                    | 5       | -           |           |
|   | 102096          | . . . FUSE, dummy (Pre SAS4745)   | 12      | -           | 5/37      |
|   | 102096          | . . . FUSE, dummy (SAS4745)   | 11      | -           |           |
|   | G51HA           | . . . GROMMET, flexiform (Mod 4926)                                     | QR      | -           |           |
|   | 508/1/05602/002 | . . . INSERT, socket  | 53      | -           | 6/6       |
|   | EEAS71/2        | . . . LINK, commoning, 3-way  | 1       | -           | 5/32      |
|   | Z50211          | . . . LINK, commoning, 3-way  | 1       | -           | 6/23      |
|   | Z50212          | . . . LINK, commoning, 4-way  | 1       | -           | 6/24      |
|   | EEAS71/3        | . . . LINK, commoning, 4-way  | 3       | -           | 5/24      |
|   | Z50219          | . . . LINK, commoning, 10-way   | 1       | -           | 6/29      |
|   | EG7.81.1133     | . . . MOUNTING, TRANSFORMER, ASSEMBLY                                   | 1       | -           | 5/4       |
|   |                 | Consisting of:-   |         |             |           |
|   | EG7.81.1135     | . . . PLATE, transformer support  | 1       | L72         | 5/7       |
|   | FERRANTI        |   |         |             |           |
|   | RD6528          | . . . TRANSFORMER, 115V/26V, 40 VA                                      | 1       | -           | 5/5       |
|   |                 | Attaching parts for RD6528:   |         |             |           |
|   | A31/A8          | . . . Screw, 5 BA cheese head   | 4       | -           | 5/15      |
|   | SP47/A          | . . . Washer, 6 BA spring   | 4       | -           | 5/11      |
|   |                 | Attaching parts for EG7.81.1133:-                                       |         |             |           |
|   | A31/B12         | . . . Screw, 4 BA cheese head   | 2       | -           | 5/1       |
|   | SP13/B          | . . . Washer, 4 BA plain  | 2       | -           | 5/2       |

## ELECTRICAL

## ELECTRICAL EQUIPMENT IN FRONT FUSELAGE

| Part Number          | Description  | No.<br>Off | Mtl. Spec. | Plate No. |
|----------------------|--|------------|------------|-----------|
|                      |  |            |            |           |
| EG7.81.1111          | . . . PANEL, rear, assembly  | 1          | -          | 6/2       |
| EG7.81.1115          | . . . PANEL, front, assembly                                       | 1          | -          | 5/28      |
| EG7.81.1123          | . . . PANEL, access, engraved                                      | 1          | L72        | 5/21      |
| AS1248/1/2C          | Attaching parts for EG7.81.1123:-<br>. . . Bolt, 2BA mushroom head | 10         | -          | 5/27      |
| R 2/SC95402          | . . . PANEL, mounting (Mod.4926)                                   | 1          | -          | 5/22      |
| 508/2/05604/002      | . . . PIN, plug  | 34         | -          | 6/10      |
| Z28426               | . . . PILLAR, fixing   | 4          | -          | 6/3       |
| EG7.81.935           | . . . PLATE, TOP, FUSE BLOCK SUPPORT, ASSEMBLY                     | 1          | -          | 5/33      |
| EG7.81.1141          | Spares for:<br>. . . BLOCK, FUSE, ASSEMBLY                         | 1          | -          | 5/29      |
| 703-1-00416          | Spares for:<br>. . . BLOCK, fuse, 4-way                            | 1          | -          | 5/34      |
| A31/B8               | Attaching parts for EG7.81.1141:<br>. . . Screw, 4BA cheese head   | 2          | -          | 5/35      |
| SP47/B               | . . . Washer, 4BA spring   | 2          | -          | 5/39      |
| EG7.81.1145          | . . . BLOCK, FUSE, ASSEMBLY  | 1          | -          | 5/38      |
| 703-1-00416          | Spares for:<br>. . . BLOCK, fuse, 4-way                            | 1          | -          | 5/34      |
| A31/B8               | Attaching parts for EG7.81.1145:<br>. . . Screw, 4BA cheese head   | 2          | -          | 5/35      |
| SP47/B               | . . . Washer, 4BA spring   | 2          | -          | 5/59      |
| A31/B12              | Attaching parts for EG7.81.935:<br>. . . Screw, 4BA cheese head    | 6          | -          | 5/14      |
| SP13/B               | . . . Washer, 4BA plain  | 6          | -          | 5/17      |
| EG7.81.2943          | . . . PLATE, TOP, FUSE BLOCK SUPPORT, ASSEMBLY<br>(Pre Mod.5176)   | 1          | -          | 5/3       |
| EG7.81.1251          | Spares for:<br>. . . BLOCK, fuse assembly (Pre Mod.5176)           | 1          | -          | 5/26      |
| CZ52815              | Spares for:<br>. . . BLOCK, fuse, 4-way                            | 1          | -          | 5/10      |
| EG7.81.1255          | . . . LABEL, fuses 231-234 (Pre Mod.5176)                          | 1          | -          |           |
| A31/B8               | Attaching parts for EG7.81.1251:<br>. . . Screw, 4BA cheese head   | 2          | -          | 5/12      |
| SP47/B               | . . . Washer, 4BA spring   | 2          | -          | 5/13      |
| EG7.81.1253          | . . . BLOCK, fuse assembly (Pre Mod.5176)                          | 1          | -          | 5/6       |
| CZ52815              | Spares for:<br>. . . BLOCK, fuse, 4-way                            | 1          | -          | 5/10      |
| EG7.81.1257          | . . . LABEL, fuses 235-238 (Pre Mod.5176)                          | 1          | -          |           |
| A31/B8               | Attaching parts for EG7.81.1253:<br>. . . Screw, 4BA cheese head   | 2          | -          | 5/12      |
| SP47/B               | . . . Washer, 4BA spring   | 2          | -          | 5/13      |
| A31/B12              | Attaching parts for EG7.81.2943:<br>. . . Screw, 4BA cheese head   | 6          | -          | 5/20      |
| SP13/B               | . . . Washer, 4BA plain  | 6          | -          | 5/18      |
| UK-AN<br>8000-20-29P | . . . PLUG, fixed  | 1          | -          | 6/13      |

## ELECTRICAL

## ELECTRICAL EQUIPMENT IN FRONT FUSELAGE

| Part Number    | 1 2 3 4 5 6 | Description                     | No.<br>Off | Mati. Spec. | Plate No. |
|----------------|-------------|---------------------------------|------------|-------------|-----------|
|                |             |                                 |            |             |           |
| UK-AN          |             |                                 |            |             |           |
| 8000-22-14P    | . .         | PLUG, fixed                     | 1          | -           | 6/9       |
| 508/2/04367    | . .         | PLUG, filler, size 16           | 35         | -           | 6/5       |
| EEAS563        | . .         | SLEEVE, special (Pre Mod.5176)  | 2          | -           | 5/31      |
| EEAS146/EQ     | . .         | SLEEVE, 3/4" long, pink         | QR         | -           | 5/19      |
| M.A.M.         | . .         | SLEEVE, 3 mm i/d x 3/8" long    | 60         | Grade CXH   | 6/19      |
| 22139622       | . .         | SLEEVE, packing                 | 53         | -           | 6/11      |
| UK-AN          |             |                                 |            |             |           |
| 8000-20-29S    | . .         | SOCKET, fixed                   | 1          | -           | 6/22      |
| UK-AN          |             |                                 |            |             |           |
| 8000-20-29S(W) | . .         | SOCKET, fixed                   | 1          | -           | 6/21      |
| UK-AN          |             |                                 |            |             |           |
| 8000-22-14S    | . .         | SOCKET, fixed                   | 1          | -           | 6/4       |
| N.S.F.         |             |                                 |            |             |           |
| 8810/B104      | . .         | SWITCH (Pre Mod.5176)           | 2          | -           | 5/30      |
| 8295-B110      | . .         | SWITCH (SRIM3668)(Pre Mod.5176) | 2          | -           |           |
| HC295          | . .         | TAG, ring tongue (Pre Mod.5176) | 7          | -           |           |
| HC295          | . .         | TAG, ring tongue                | 2          | -           | 5/25      |
| HC490          | . .         | TAG, quick release              | 54         | -           | 6/17      |
| 22139599       | . .         | WASHER, panel packing           | 3          | -           | 6/18      |
| 22139600       | . .         | WASHER, panel packing           | 2          | -           | 6/8       |
| 10AC9436838    | . .         | WASHER, crinkle                 | 9          | -           | 5/23      |
| TYPE Q20       | . .         | WIRE, equipment, type Q20       | QR         | -           | 6/16      |
| TYPE QM20      | . .         | WIRE, equipment, type QM20      | QR         | -           | 6/12      |
| 5E/9102377     | . .         | WIRE, tinned copper, 24 SWG     | QR         | -           | 6/20      |
| 5E/9516566     | . .         | WIRE, tinned copper, 32 SWG     | QR         | -           | 6/14      |

R  
R

## ELECTRICAL

## ELECTRICAL EQUIPMENT IN FRONT FUSELAGE

| Part Number       | Description   | No. Off | Matl. Spec. | Plate No. |
|-------------------|---|---------|-------------|-----------|
|                   |   |         |             |           |
| R EG7.81.4049     | . . . BOX, RADIO FUSE AND RELAY ASSEMBLY<br>(MOD 5436) (PRE MOD 5466)       | 1       | -           | 5A/1      |
| R EG7.81.5005     | . . . BOX, RADIO FUSE AND RELAY ASSEMBLY<br>(MOD 5466)<br>Spares for:-      | 1       | -           |           |
| 1/SC95403         | . . . ANGLE   | 1       | -           | 5A/2      |
| 1/SC95404         | . . . ANGLE   | 1       | -           | 5A/3      |
| 703-1-00249       | . . . BLOCK, terminal, 20-way   | 2       | -           | 6A/1      |
| EG7.81.1109       | . . . BOX, sub-assembly   | 1       | -           | 5A/4      |
| R 32C/600         | . . . CHANNEL, beading (Pre Mod 5466)<br>(Secure with Titebond 33H/9156565) | QR      | -           | 5A/5      |
| AS3180/9B         | . . . CLIP, cable<br>Attaching parts for AS3180/9B:-                        | 2       | -           | 6A/3      |
| AGS2001/B/1       | . . . Nut, stiff, 4 BA  | 1       | -           | 6A/4      |
| A31/B16           | . . . Screw, 4 BA cheese head   | 1       | -           | 6A/5      |
| EEAS237/6A        | . . . Washer, 'D'   | 1       | -           | 6A/6      |
| R CP191764        | . . . CONTROL, radio set, type 1607/2 (Pre Mod 5466)                        | 1       | -           | 5A/6      |
| 703-1-00266       | . . . COVER, perspex  | 2       | -           | 6A/7      |
| R EG7.81.1121     | . . . DIAPHRAGM (Pre Mod 5466)  | 1       | -           |           |
| R EG7.81.5019     | . . . DIAPHRAGM (Mod 5466)  | 1       | -           | 6A/34     |
| EE11/2            | . . . EXTRUSION, section  | QR      | -           | 5A/7      |
| WIS10112C1        | . . . FUSE, type AS, 5 amp  | 5       | -           | 5A/8      |
| R 102096          | . . . FUSE, dummy (Pre Mod 5466)  | 11      | -           | 5A/8A     |
| G51HA             | . . . GROMMET, flexiform  | QR      | -           | 5A/9      |
| R 508/1/05602/002 | . . . INSERT, socket (Pre Mod 5466)   | 53      | -           | 6A/8      |
| R EEAS71/2        | . . . LINK, commoning, 3-way (Pre Mod 5466)                                 | 1       | -           | 5A/10     |
| R Z50211          | . . . LINK, commoning, 3-way (Pre Mod 5466)                                 | 1       | -           | 6A/9      |
| R Z50212          | . . . LINK, commoning, 4-way (Pre Mod 5466)                                 | 1       | -           | 6A/10     |
| R EEAS71/3        | . . . LINK, commoning, 4-way (Pre Mod 5466)                                 | 3       | -           | 5A/11     |
| R 703-2-00260     | . . . LINK, commoning, 10-way (Pre Mod 5466)                                | 1       | -           | 6A/11     |
| EG7.81.1133       | . . . MOUNTING, TRANSFORMER, ASSEMBLY<br>Consisting of:-                    | 1       | -           | 5A/12     |
| EG7.81.1135       | . . . PLATE, support  | 1       | -           | 5A/13     |
| FERRANT1          |   |         |             |           |
| RD6528            | . . . TRANSFORMER, 115V/26V, 40VA<br>Attaching parts for RD6528:-           | 1       | -           | 5A/14     |
| A31/A8            | . . . Screw, 6 BA cheese head   | 4       | -           | 5A/15     |
| SP47/A            | . . . Washer, 6 BA spring   | 4       | -           | 5A/16     |
| A31/B12           | . . . Screw, 4 BA cheese head   | 2       | -           | 5A/17     |
| SP13/B            | . . . Washer, 4 BA, plain   | 2       | -           | 5A/18     |

## ELECTRICAL

## ELECTRICAL EQUIPMENT IN FRONT FUSELAGE

| Part Number       | 1 2 3 4 5 6 | Description   | No. Off | Matl. Spec. | Plate No. |
|-------------------|-------------|---|---------|-------------|-----------|
|                   |             |   |         |             |           |
| EG7.81.1111       | .           | PANEL, rear assembly  | 1       | -           | 6A/12     |
| EG7.81.1115       | .           | PANEL, front assembly   | 1       | -           | 5A/19     |
| EG7.81.1123       | .           | PANEL, access, engraved                                       | 1       | -           | 5A/20     |
| AS1248/½C         | .           | Attaching parts for EG7.81.1123:-<br>Bolt, 2 BA mushroom head | 10      | -           | 5A/21     |
| R 2/SC95402       | .           | PANEL, mounting (Pre Mod 5466)                                | 1       | -           | 5A/22     |
| R EG7.81.5001     | .           | PANEL, mounting (Mod 5466)<br>Spares for:-                    | 1       | -           | 6A/35     |
| R EG7.81.5003     | .           | PANEL, blank  | 1       | -           | 6A/36     |
| R PRC3-1-2        | .           | RECEPTACLE  | 6       | -           | 6A/37     |
| R 508/2/05604/002 | .           | PIN, plug (Pre Mod 5466)                                      | 34      | -           | 6A/13     |
| Z28426            | .           | PILLAR, fixing  | 4       | -           | 6A/14     |
| EG7.81.935        | .           | PLATE, TOP, FUSE BLOCK SUPPORT, ASSEMBLY<br>Spares for:-      | 1       | -           | 5A/23     |
| EG7.81.1141       | .           | BLOCK, fuse, assembly<br>Spares for:-                         | 1       | -           | 5A/24     |
| 703-1-00416       | .           | BLOCK, fuse, 4-way<br>Attaching parts for EG7.81.1141:-       | 1       | -           | 5A/25     |
| A31/B8            | .           | Screw, 4 BA cheese head                                       | 2       | -           | 5A/26     |
| SP47/B            | .           | Washer, 4 BA spring   | 2       | -           | 5A/27     |
| EG7.81.1145       | .           | BLOCK, fuse, assembly<br>Spares for:-                         | 1       | -           | 5A/28     |
| 703-1-00416       | .           | BLOCK, fuse, 4-way<br>Attaching parts for EG7.81.1145:-       | 1       | -           | 5A/29     |
| A31/B8            | .           | Screw, 4 BA cheese head                                       | 2       | -           | 5A/30     |
| SP47/B            | .           | Washer, 4 BA spring   | 2       | -           | 5A/31     |
| A31/B12           | .           | Attaching parts for EG7.81.935:-<br>Screw, 4 BA cheese head   | 6       | -           | 5A/32     |
| SP13/B            | .           | Washer, 4 BA plain  | 6       | -           | 5A/33     |
| EG7.81.3741       | .           | PLATE, TOP, FUSE BLOCK SUPPORT, ASSEMBLY<br>Spares for:-      | 1       | -           | 5A/34     |
| EG7.81.3747       | .           | BLOCK, fuse, assembly<br>Spares for:-                         | 1       | -           | 5A/35     |
| CZ52815           | .           | BLOCK, fuse, 4-way  | 1       | -           | 5A/36     |
| EG7.81.3761       | .           | LABEL, fuses 231-234<br>Attaching parts for EG7.81.3747:-     | 1       | -           | 6A/37     |
| A31/B8            | .           | Screw, 4 BA cheese head                                       | 2       | -           | 5A/38     |
| SP47/B            | .           | Washer, 4 BA spring   | 2       | -           | 5A/39     |
| EG7.81.3749       | .           | BLOCK, fuse, assembly<br>Spares for:-                         | 1       | -           | 5A/40     |
| CZ52815           | .           | BLOCK, fuse, 4-way  | 1       | -           | 5A/41     |
| EG7.81.3763       | .           | LABEL, fuses 235-238<br>Attaching parts for EG7.81.3749:-     | 1       | -           | 5A/42     |
| A31/B8            | .           | Screw, 4 BA cheese head                                       | 2       | -           | 5A/43     |
| SP47/B            | .           | Washer, 4 BA spring   | 2       | -           | 5A/44     |
| A31/B12           | .           | Attaching parts for EG7.81.3741:-<br>Screw, 4 BA cheese head  | 6       | -           | 5A/45     |
| SP13/B            | .           | Washer, 4 BA plain  | 6       | -           | 5A/46     |

## ELECTRICAL

## ELECTRICAL EQUIPMENT IN FRONT FUSELAGE

| Part Number                     | Description   | No. Off | Matl. Spec. | Plate No. |
|---------------------------------|---|---------|-------------|-----------|
|                                 |   |         |             |           |
| UK-AN<br>8000-20-29P            | PLUG, fixed   | 1       | -           | 6A/15     |
| UK-AN<br>8000-22-14P            | PLUG, fixed   | 1       | -           | 6A/16     |
| R 508/2/04367                   | PLUG, filler, size 16 (Pre Mod 5466)                          | 35      | -           | 6A/17     |
| R 508-2-05851-007               | RING, anti-chafe (Mod 5436) (Pre Mod 5466)                    | 1       | -           | 6A/27     |
| R AS10512-M2                    | SHROUD (Mod 5436) (Pre Mod 5466)                              | 1       | -           | 6A/28     |
| R AS10512-M1                    | SHROUD, terminal (Pre Mod 5466)                               | 4       | -           | 6A/18     |
| R EEAS146/EQ                    | SLEEVE, 3/4" long, pink (Pre Mod 5466)                        | QR      | -           | 5A/47     |
| R M.A.M. Rubber Co.<br>2Z139622 | SLEEVE, 3 mm i/d x 3/8" long (Pre Mod 5466)                   | 60      | Grade CXH   | 6A/19     |
| R 508-2-15662                   | SLEEVE, packing (Pre Mod 5466)                                | 53      | -           | 6A/20     |
| R 508-2-15662                   | SLEEVE, packing (Mod 5436) (Pre Mod 5466)                     | 8       | -           | 6A/29     |
| R EEAS146-20-3/4                | SLEEVE (Mod 5436) (Pre Mod 5466)                              | QR      | -           | 6A/30     |
| R EEAS146-20-1/4                | SLEEVE (Mod 5436) (Pre Mod 5466)                              | QR      | -           | 6A/31     |
| UK-AN<br>8000-20-29S            | SOCKET, fixed   | 1       | -           | 6A/21     |
| UK-AN<br>8000-20-29S(W)         | SOCKET, fixed   | 1       | -           | 6A/22     |
| UK-AN<br>8000-22-14S            | SOCKET, fixed   | 1       | -           | 6A/23     |
| R AS10512A-2                    | SWITCH (Pre Mod 5466)   | 1       | -           | 5A/48     |
| R AS10512B-2                    | SWITCH (Pre Mod 5466)   | 1       | -           | 5A/49     |
| R AS10512A-6                    | SWITCH  | 1       | -           | 5A/50     |
| R AS10512A-6                    | SWITCH S.P. (Pre Mod 5467)                                    | 1       | -           | 5A/50A    |
| R AS10512A-5                    | SWITCH S.P. (Mod 5467) (Pre Mod 5466)                         | 1       | -           | 5A/50B    |
| R AS10512-E4                    | SWITCH (Mod 5436) (Pre Mod 5466)                              | 1       | -           | 6A/32     |
| R HC294D                        | TAG, RT (Mod 5436) (Pre Mod 5466)                             | QR      | -           | 6A/33     |
| R HC294D                        | TAG, RT   | 8       | -           | 5A/51     |
| R HC490                         | TAG, QR (Pre Mod 5466)  | 54      | -           | 6A/24     |
| R 2Z139599                      | WASHER, packing   | 3       | -           | 6A/25     |
| R 2Z139600                      | WASHER, packing   | 2       | -           | 6A/26     |
| R DP1002A                       | WASHER, crinkle (Pre Mod 5466)                                | 9       | -           | 5A/52     |
| R TYPE Q20                      | WIRE, equipment, type Q20 (Pre Mod 5466)                      | QR      | -           |           |
| R TYPE QM20                     | WIRE, equipment, type QM20 (Pre Mod 5466)                     | QR      | -           |           |
| R A910265-24                    | WIRE, tinned copper, 24 SWG (Pre Mod 5466)                    | QR      | -           |           |
| R A910265-32                    | WIRE, tinned copper, 32 SWG (Pre Mod 5466)                    | QR      | -           |           |
| R TYPE N20                      | WIRE, equipment, type N20 (Pre Mod 5466)                      | -       | -           |           |
| R -                             | WIRING DIAGRAM (EG7.82.5009) (Mod 5466)                       | -       | -           |           |
| R 508-1-04866-300               | Spares for:-<br>CAP, protective assembly                      | 1       | -           | 6A/38     |
| R AGS2001B1                     | Attaching parts:-<br>Nut, stiff, 4 BA                         | 1       | -           | 6A/39     |
| R A32/R14                       | Screw, 4 BA   | 1       | -           | 6A/40     |
| R SP15/B                        | Washer  | 1       | -           | 6A/41     |
| R 703-2-00260                   | LINK, transverse  | 1       | -           | 6A/42     |
| R EG7.81.5423                   | PLATE, top, fuse block support assembly                       | 1       | -           | 5A/53     |
| R EG7.81.5425                   | Spares for:-<br>BLOCK, fuse assembly                          | 1       | -           | 5A/54     |
| R CZ52815                       | Spares for:-<br>BLOCK, fuse, 4 way                            | 1       | -           | 5A/55     |
| R EG7.81.5427                   | LABEL, fuses 235-238  | 1       | -           | 5A/56     |
| R A31/B8                        | Attaching parts for EG7.81.5425:-<br>Screw, 4 BA, cheese head | 2       | -           | 5A/57     |
| R SP47/B                        | Washer, 4 BA, spring  | 2       | -           | 5A/58     |
| R 508-2-04367                   | PLUG, filler  | 7       | -           |           |
| R 506-1-05802                   | SOCKET, contact   | 7       | -           |           |

| Part Number   | Description  | No.<br>Off | Matl. Spec. | Plate No. |
|---------------|--|------------|-------------|-----------|
|               |  |            |             |           |
| EG7.81.1173   | . . . BOX, JUNCTION, No.14, ASSEMBLY               | 1          | -           | 4/33      |
| 703-2-00244   | . . . Spares for:<br>. . . BLOCK, terminal, 10-way | 1          | -           | 4/22      |
| AGS1246/12B   | . . . Attaching parts for 703-2-00244              |            |             |           |
| AGS2001/B/1   | . . . Bolt, 4BA                                    | 2          | -           | 4/24      |
| AS2298/080    | . . . Nut, stiff, 4BA                              | 2          | -           | 4/15      |
| SP15/B        | . . . Tube, distance                               | 2          | -           | 4/20      |
|               | . . . Washer, 4BA, plain                           | 2          | -           | 4/16      |
| R 703-1-00249 | . . . BLOCK, terminal, 20-way                      | 1          | -           | 4/9       |
| A43/B24       | . . . Attaching parts for 703-1-00249              |            |             |           |
| AGS2035/B     | . . . Screw, 4BA                                   | 2          | -           | 4/18      |
|               | . . . Washer, 4BA, shakeproof                      | 2          | -           | 4/17      |
| EG7.81.1087   | . . . BOX, junction, No.14, sub-assembly           | 1          | -           | 4/31      |
| EG7.81.1091   | . . . BRACKET, relay mounting, assembly            | 1          | -           | 4/30      |
| A32/B12       | . . . Attaching parts for EG7.81.1091:             |            |             |           |
| SP15/B        | . . . Screw, 4BA                                   | 2          | -           | 4/28      |
|               | . . . Washer, 4BA, plain                           | 2          | -           | 4/29      |
| EG7.81.1089   | . . . COVER, assembly                              | 1          | -           | 4/32      |
| EEAS117/1     | . . . Spares for:                                  |            |             |           |
| EEAS28/2CU    | . . . SCREW, 4BA                                   | 6          | S92         | 4/6       |
| EEAS42        | . . . WASHER                                       | 12         | S515        | 4/4       |
| 30A/9140209   | . . . WASHER, leather                              | 6          | -           | 4/3       |
|               | . . . WIRE, locking, 20 SWG                        | QR         | -           | 4/2       |

A.P.101B-0417-3A

## ELECTRICAL

## ELECTRICAL EQUIPMENT IN FRONT FUSELAGE

| Part Number     | Description  | No. Off | Mati. Spec. | Plate No. |
|-----------------|--|---------|-------------|-----------|
|                 |  |         |             |           |
| 5X/2790         | . . GROMMET  | 1       | -           | 4/1       |
| 508/1/05602/002 | . . INSERT, socket   | 20      | -           | 4/23      |
| Z50219          | . . LINK, commoning, 2-way                                     | 1       | -           | 4/14      |
| Z50212          | . . LINK, commoning, 4-way                                     | 1       | -           | 4/11      |
| 508/2/04367     | . . PLUG, filler   | 1       | -           | 4/21      |
| 2Z139621        | . . SLEEVE, packing  | 19      | -           | 4/25      |
| M.A.M.          | . . SLEEVE, 3 mm i/d x 3/8" long                               | 30      | Grade CXH   | 4/12      |
| EEAS146/EQ      | . . SLEEVE, 3/4" long, pink                                    | 60      | -           | 4/19      |
| UK-AN           |  |         |             |           |
| 8000-18-1S      | . . SOCKET   | 1       | -           | 4/27      |
| UK-AN           |  |         |             |           |
| 8000-18-1S(N)   | . . SOCKET   | 1       | -           | 4/10      |
| 10F/0119239 or  | . . SWITCH, magnetic relay (Pre SAS4745)                       | 1       | -           | 4/26      |
| 10F/0123877     | . . SWITCH, relay, type SM5M-N156 (SAS4745)                    | 1       | -           |           |
| HC490           | . . TAG, quick release   | 31      | -           | 4/13      |
|                 | . . WIRE, equipt., type C.19, 19/0076                          | QR      | -           | 4/7       |
|                 | Attaching parts for EG7.81.1173:                               |         |             |           |
| A25/1C          | . Bolt, 2BA hex. head  | 4       | -           | 4/8       |
| EG7.81.1381     | . BOX, ALTERNATOR CONTROL, ASSEMBLY<br>Spares for:             | 1       | -           | 8/39      |
| 4408121         | . . ADAPTOR  | 1       | -           |           |
| 703-1-00238     | . . BLOCK, terminal, 5-way<br>Attaching parts for 703-1-00238: | 2       | -           | 8/2       |
| AGS2001/B/3     | . . Nut, stiff, 4BA  | 4       | -           | 8/1       |
| A32/B28         | . . Screw, 4BA round head                                      | 4       | -           | 8/7       |
| SP13/B          | . . Washer, 4BA plain  | 4       | -           | 8/5       |
| EG7.81.1379     | . . ENVELOPE<br>Attaching parts for EG7.81.1379:               | 1       | L50         | 8/12      |
| A32/B14         | . . Screw, 4BA round head                                      | 4       | -           | 8/40      |
| DOWTY           |  |         |             |           |
| 5165Y/Mk.3      | . . INDICATOR, electro magnetic                                | 1       | -           | 8/37      |
| DOWTY           |  |         |             |           |
| C5175/Mk.40     | . . INDICATOR, electro magnetic                                | 2       | -           | 8/18      |
| C500/A/7        | . . LAMP, warning, red   | 4       | -           | 8/25      |
| 5L/9959178      | . . LAMP, filament, 28V, .04A                                  | 4       | -           | 8/26      |
| Z50213          | . . LINK, commoning, 5-way                                     | 2       | -           | 8/9       |
| EL/1/155        | . . METER, frequency<br>Attaching parts for EL/1/155:-         | 1       | -           | 8/41      |
| A32/B20         | . . Screw, 4BA round head                                      | 4       | -           | 8/45      |
| 10AC/9436077    | . . Washer, 4BA crinkle  | 4       | -           | 8/44      |
| EG7.81.1373     | . . PANEL, rear  | 1       | L72         | 8/10      |

R

## ELECTRICAL

## ELECTRICAL EQUIPMENT IN FRONT FUSELAGE

| Part Number          | Description   | No.<br>Off | Matl. Spec. | Plate No.    |
|----------------------|---|------------|-------------|--------------|
|                      |   |            |             |              |
| EG7.81.1377          | . . . PANEL, engraved   | 1          | -           | 8/21         |
| 508/2/03547/002      | . . . PIN, plug, 16   | 6          | -           | 8/8          |
| 508/2/05604/002      | . . . PIN, plug   | 24         | -           | 8/28         |
| UK-AN<br>8000-14S-6P | . . . PLUG, 6-way   | 1          | -           | 8/4          |
| UK-AN<br>8000-24-28P | . . . PLUG, 24-way  | 1          | -           | 8/27         |
| 508/2/04367          | . . . PLUG, filler  | 6          | -           | 8/29         |
| EG7.81.1371          | . . . ROD, distance   | 2          | S94         | 8/13         |
| A32/B14              | Attaching parts for EG7.81.1371:<br>. . . Screw, 4BA round head   | 4          | -           | 8/23         |
| 10AC/9436077         | . . . Washer, 4BA crinkle   | 4          | -           | 8/24         |
| 2Z139622             | . . . SLEEVE, packing   | 24         | -           | 8/30         |
| PAGE A257            | . . . SLEEVE, special   | 4          | -           | 8/17         |
| M.A.M.               | . . . SLEEVE, 3 mm i/d x 3/8" long  | 10         | Grade CXH   | 8/3          |
| EEAS146/20           | . . . SLEEVE, 1/2" long   | QR         | -           | 8/11         |
| EEAS146/EQ           | . . . SLEEVE, 3/4" long, pink   | 74         | -           | 8/32         |
| EEAS563              | . . . SLEEVE, special   | 1          | -           | 8/43         |
| EEAS566              | . . . SLEEVE, special   | 2          | -           | 8/36         |
| NY18067              | . . . STRAP, nylon  | QR         | -           | 8/15         |
| NY3256               | . . . STUD, nylon   | QR         | -           | 8/16         |
| N.S.F.<br>8824/B108  | . . . SWITCH, control   | 2          | -           | 8/33         |
| or<br>AS10512C-1     | . . . SWITCH, control   | 2          | -           |              |
| N.S.F.<br>8810/B101  | . . . SWITCH, tumbler   | 1          | -           | 8/38         |
| or<br>AS10512A-2     | . . . SWITCH, tumbler   | 1          | -           |              |
| HC294                | . . . TAG, ring tongue  | 2          | -           | 8/42         |
| HC295                | . . . TAG, ring tongue  | 13         | -           | 8/34         |
| HC296                | . . . TAG, ring tongue  | 20         | -           | 8/19         |
| HC490                | . . . TAG, quick release  | 15         | -           | 8/6          |
| 10AC/9436838         | . . . WASHER, 5BA crinkle   | 13         | -           | 8/35         |
| 10AD/9436076         | . . . WASHER, 6BA crinkle   | 20         | -           | 8/20         |
| 2CZ139596            | . . . WASHER, panel packing   | 1          | -           | 8/22         |
| 2CZ139601            | . . . WASHER, panel packing   | 1          | -           | 8/14         |
| A31/C24              | . . . WIRE, equipt., type 'B', 19/.0076, blue<br>Attaching parts for EG7.81.1381:<br>. . . Screw, 2BA cheese head | QR<br>4    | -<br>-      | 8/31<br>8/46 |
| R EL33374            | . . . BOX, junction, 6-way (Mod.5466)   | 1          | -           | 14/42        |
| EG7.81.1461          | . . . BOX, JUNCTION, No.16, INSTALLATION<br>Spares for:   | 1          | -           | 7/11         |
| EG7.81.739           | . . . BOX, JUNCTION, No.16, ASSEMBLY<br>Consisting of:  | 1          | -           | 7/18         |
| 5X/1002695           | . . . BLOCK, terminal, 20-way<br>Attaching parts for 5X/1002695:  | 2          | -           | 7/30         |
| AGS2001/B/1          | . . . Nut, stiff, 4BA   | 4          | -           | 7/31         |
| A31/B28              | . . . Screw, 4BA cheese head  | 4          | -           | 7/29         |

## ELECTRICAL

## ELECTRICAL EQUIPMENT IN FRONT FUSELAGE

| Part Number     | 1 2 3 4 5 6 | Description                       | No.<br>Off | Matl. Spec. | Plate No. |
|-----------------|-------------|-----------------------------------|------------|-------------|-----------|
|                 |             |                                   |            |             |           |
| EG7.81.899      |             | BOX, BARE, ASSEMBLY               | 1          | -           | 7/15      |
|                 |             | Spares for:                       |            |             |           |
| EB7.81.89       |             | PANEL, access                     | 1          | -           | 7/33      |
|                 |             | Attaching parts for EB7.81.89:    |            |             |           |
| A31/B16         |             | Screw, 4BA cheese head            | 6          | -           | 7/28      |
| EB7.81.87       |             | SEAL, panel access, 1/16" thick   | 1          | Linatex     | 7/23      |
| UNINYVIN 16     |             | CABLE, uninyvin 16                | QR         | -           | 7/16      |
| Z22168          |             | CAP, protective                   | 2          | -           | 7/13      |
| 508-1-41037     |             | CAP, protective                   | 2          | -           | 7/14      |
| Z22634          |             | GROMMET, dummy                    | 5          | -           | 7/17      |
| EB7.81.79       |             | LID, ASSEMBLY                     | 1          | -           | 7/10      |
|                 |             | Spares for:                       |            |             |           |
| EA3.81.1259     |             | CLIP, spring                      | 6          | -           | 7/12      |
| EEAS117/1       |             | SCREW, cover                      | 6          | -           | 7/2       |
| EEAS28/2CU      |             | WASHER                            | 12         | S515        | 7/8       |
| EEAS42          |             | WASHER, leather                   | 6          | -           | 7/9       |
| Z50218          |             | LINK, commoning, 10-way           | 1          | -           | 7/32      |
| 508/1/07069/220 |             | PLUG, Mk.7, 12-way                | 1          | -           | 7/34      |
| 508/1/07076/220 |             | PLUG, Mk.7, 25-way                | 5          | -           | 7/4       |
| 508/1/06413     |             | PLUG, size 'D'                    | 6          | -           | 7/1       |
| Z49397          |             | SLEEVE, inner                     | 5          | -           | 7/35      |
| M.A.M.          |             | SLEEVE, 3 mm i/d x 3/8" long      | 25         | Grade CXH   | 7/27      |
| EEAS146/16      |             | SLEEVE, 3/4" long, pink           | QR         | -           | 7/6       |
| Z49428          |             | SLEEVE, inner                     | 85         | -           | 7/36      |
| 508/1/07043/220 |             | SOCKET, fixed, Mk.7, 6-way        | 1          | -           | 7/19      |
| 508/1/07049/220 |             | SOCKET, Mk.7, 12-way              | 1          | -           | 7/21      |
| 508/1/07056/220 |             | SOCKET, Mk.7, 25-way              | 1          | -           | 7/24      |
| HV3254          |             | STRAP, Helsyn                     | QR         | -           | 7/25      |
| NY3255          |             | STUD, nylon                       | QR         | -           | 7/26      |
| HC490           |             | TAG, quick release                | 24         | -           | 7/37      |
| EEAS43/1        |             | WASHER, panel                     | 1          | -           | 7/20      |
| EEAS43/2        |             | WASHER, panel                     | 2          | -           | 7/22      |
| EEAS43/3        |             | WASHER, panel                     | 6          | -           | 7/5       |
| 5E/6409711      |             | WIRE, equipt., type 'B', 19/.0076 | QR         | -           | 7/7       |
|                 |             | Attaching parts for EG7.81.739:   |            |             |           |
| A31/B12         |             | Screw, 4BA cheese head            | 6          | -           | 7/5       |

R  
R  
R

ELECTRICAL  
ELECTRICAL EQUIPMENT IN FRONT FUSELAGE

| Part Number   | Description   | No. Off | Matl. Spec. | Plate No. |
|---------------|---|---------|-------------|-----------|
|               |   |         |             |           |
| EA3.81.2403   | . BOX, RELAY, GROUP<br>Consisting of:   | 1       | -           | 18/11     |
| EA3.81.2411   | . . . BOX, relay  | 1       | -           | 18/12     |
| UNIPREN 6     | . . . CABLE   | QR      | -           | 18/5      |
|               | . . . CORD, waxed coreless  | QR      | -           | 18/6      |
| EA3.81.2419   | . . . LABEL   | 1       | -           | 18/8      |
| EA3.81.2413   | . . . LID   | 2       | -           | 18/7      |
| 2CZ111227     | . . . PLUG, 14-way, size C  | 1       | -           | 18/2      |
| EL34331       | . . . RELAY, type S.7, 25 amp, 24V  | 1       | -           | 18/1      |
| 2/R/1/8/S971  | . . . SCREW, NPK  | 4       | -           | 18/9      |
| Z49428        | . . . SLEEVE  | 5       | -           | 18/3      |
| SL2/3         | . . . SLEEVE, 3/4" long, marker<br>Attaching parts for EA3.81.2403:                                 | QR      | -           | 18/4      |
| A25/6B        | . Bolt, 4BA hex. head   | 4       | -           | 18/10     |
| 6A/4332835    | . COMPENSATOR, voltage, type 'A', No.1<br>Attaching parts for 6A/4332835:                           | 1       | -           | 11/34     |
| A32/C16       | . Screw, 2BA round head   | 3       | -           | 11/27     |
| 506-1-07360   | . CONTROLLER, Type 4, windscreen heater (Mod.4420)  | 1       | -           | 14/13     |
| -             | . CONTROL-UNIT, FIREWIRE, INSTALLATION<br>(EG7.10.1659)<br>Spares for:                              | -       | -           | 9/20      |
| GRAVINER      |   |         |             |           |
| TYPE 365D     | . . . CONTROL-UNIT (Mod.4792)<br>Attaching parts:   | 1       | -           | 9/14      |
| AS1246/2C     | . . . Bolt, 2BA round head  | 4       | -           | 9/15      |
| AS3360/B3B    | . . . LEAD, bonding<br>Attaching parts for AS3360/B3B:  | 1       | -           | 9/19      |
| AS1246/1B     | . . . Bolt, 4BA round head  | 1       | -           | 9/16      |
| AGS2002/B/1   | . . . Nut, stiff, 4BA   | 1       | -           | 9/18      |
| SP13/B        | . . . Washer, 4BA plain   | 1       | -           | 9/17      |
| 703-1-00262   | . COVER, terminal block   | 1       | -           | 4/36      |
| -             | . EARTH-POINT, E80, GROUND SERVICE IN STARBOARD<br>HATCH, INSTALLATION (EG7.81.3169)<br>Spares for: | -       | -           | 9/28      |
| EA9.81.10865  | . . . BOLT, 5/16" UNF   | 1       | S96         | 9/27      |
| A103/GT       | . . . NUT, 5/16" UNF  | 2       | -           | 9/23      |
| AGS3413/G     | . . . NUT, wing, 5/16" UNF  | 1       | -           | 9/21      |
| SP90/C6       | . . . PIN, split  | 1       | -           | 9/24      |
| EEAS28/31 ERH | . . . WASHER  | 1       | L72         | 9/22      |
| SP55/G        | . . . WASHER, 5/16" BSF double spring   | 1       | -           | 9/26      |
| SP126/G       | . . . WASHER, 5/16" BSF   | 1       | -           | 9/25      |
| -             | . EQUIPMENT, UNDER REAR FLOOR, STARBOARD,<br>ASSEMBLY (EG7.81.791) (Pre Mod 5466)                   | -       | -           | 10/1      |
| -             | . EQUIPMENT, UNDER REAR FLOOR, STARBOARD<br>ASSEMBLY (EG7.81.5645) (Mod 5466)<br>Spares for:-       | -       | -           |           |
| EG7.81.813    | . . . BOLT, 5/16" BSF, strip attaching  | 3       | BS249       | 10/50     |
| EA3.81.699/2  | . . . CABLE, ASSEMBLY, F30, FROM PLUG AT FRAME 12<br>TO TERMINAL BOARD, GROUP                       | 1       | -           | 10/2      |
|               | Consisting of:-   |         |             |           |
| UNINYVIN 12   | . . . . CABLE, uninyvin 12  | QR      | -           | 10/11     |
| 508/1/06395   | . . . . PLUG, single pin  | 2       | -           | 10/4      |

## ELECTRICAL

## ELECTRICAL EQUIPMENT IN FRONT FUSELAGE

| Part Number  | Description<br>1 2 3 4 5 6                   | No.<br>Off | Matl. Spec. | Plate No. |
|--------------|--|------------|-------------|-----------|
|              |  |            |             |           |
| SL3/3        | . . . . SLEEVE, 3/4" long yellow             | 4          | —           | 10/19     |
| SL5/3        | . . . . SLEEVE, 1" long yellow               | 1          | —           | 10/61     |
| Z19926       | . . . . TAG, quick release                   | 2          | —           | 10/56     |
| Z19981       | . . . . THIMBLE, quick release               | 2          | —           | 10/58     |
| EG7.81.793   | . . . . PANEL, BUS-BAR, GROUP (Pre Mod 5466) | 1          | —           | 10/29     |
| EG7.81.5647  | . . . . PANEL, BUS-BAR, ASSEMBLY (Mod 5466)  | 1          | —           |           |
|              | Spares for:—                                 |            |             |           |
| AS2696       | . . . . ADAPTER, lug cable, 2-way            | 1          | —           | 10/39     |
| AS2697       | . . . . ADAPTER, lug cable, 4-way            | 2          | —           | 10/47     |
| EG7.81.813   | . . . . BOLT, 5/16" BSF strip attaching      | 2          | BS249       | 10/5      |
| AS2654       | . . . . BLOCK, connector                     | 1          | —           | 10/36     |
| EG7.81.797   | . . . . BLOCK, FUSE, ASSEMBLY                | 1          | —           | 10/64     |
|              | Consisting of:—                              |            |             |           |
| EA9.81.10257 | . . . . BLOCK, fuse connecting               | 1          | —           | 10/51     |
|              | Attaching parts for EA9.81.10257:—           |            |             |           |
| EA9.81.3443  | . . . . Bolt, 5/16" BSF                      | 8          | —           | 10/45     |
| A14/GB       | . . . . Nut, 5/16" plain                     | 8          | —           | 10/53     |
| AGS2001/G/4  | . . . . Nut, stiff, 5/16" BSF                | 8          | —           | 10/62     |
| AS2721       | . . . . Washer, 5/16" BSF                    | 16         | Copper      | 10/49     |
| EA9.81.10259 | . . . . BLOCK, fuse mounting                 | 1          | —           | 10/44     |
|              | Attaching parts for EA9.81.10259:—           |            |             |           |
| EA9.81.3443  | . . . . Bolt, 5/16" BSF                      | 8          | —           | 10/45     |
| A14/GB       | . . . . Nut, 5/16" BSF plain                 | 8          | —           | 10/53     |
| AGS2001/G/4  | . . . . Nut, stiff, 5/16" BSF                | 8          | —           | 10/62     |
| AS2721       | . . . . Washer, 5/16" BSF                    | 16         | Copper      | 10/49     |
| EG7.81.2861  | . . . . BUSBAR                               | 1          | BS1432      | 10/48     |
| 10H/0590127  | . . . . FUSE, 6 amp, H.R.C.                  | 4          | —           | 10/59     |
| 10H/0590126  | . . . . FUSE, 40 amp (Mod 4926)              | 1          | —           |           |
| 10H/0119128  | . . . . FUSE, 125 amp, H.R.C.                | 2          | —           | 10/63     |
| EG7.81.2863  | . . . . PACKING                              | 1          | —           | 10/37     |
| EA9.81.10255 | . . . . PLATE, base, fuse block              | 1          | —           | 10/35     |
|              | Attaching parts for EA9.81.10255:—           |            |             |           |
| A33/B20      | . . . . Screw, 4 BA c'sk head                | 4          | —           | 10/41     |
| EG7.81.801   | . . . . BLOCK, FUSE, ASSEMBLY                | 1          | —           | 10/18     |
|              | Spares for:—                                 |            |             |           |
| 703-1-00416  | . . . . BLOCK, fuse, 4-way                   | 1          | —           | 10/14     |
|              | Attaching parts for EG7.81.801:—             |            |             |           |
| A33/C20      | . . . . Screw, 2 BA c'sk head                | 2          | —           | 10/12     |
| AGS585/B     | . . . . Washer, spring                       | 2          | —           | 10/13     |
| EG7.81.803   | . . . . BLOCK, FUSE, ASSEMBLY                | 1          | —           | 10/15     |
|              | Spares for:—                                 |            |             |           |
| 703-1-00416  | . . . . BLOCK, fuse, 4-way                   | 1          | —           | 10/14     |
|              | Attaching parts for EG7.81.803:—             |            |             |           |
| A33/C20      | . . . . Screw, 2 BA c'sk head                | 2          | —           | 10/12     |
| AGS585/B     | . . . . Washer, spring                       | 2          | —           | 10/13     |

ELECTRICAL  
ELECTRICAL EQUIPMENT IN FRONT FUSELAGE

| Part Number   | Description  | No. Off | Matl. Spec. | Plate No. |
|---------------|--|---------|-------------|-----------|
|               |  |         |             |           |
| EG7.81.805    | . . . . BLOCK, FUSE, ASSEMBLY<br>Spares for:—                                | 1       | —           | 10/10     |
| 703-1-00416   | . . . . BLOCK, fuse, 4-way<br>Attaching parts for EG7.81.805:—               | 1       | —           | 10/14     |
| A33/C20       | . . . . Screw, 2BA c'sk head   | 2       | —           | 10/12     |
| AGS585/B      | . . . . Washer, spring   | 2       | —           | 10/13     |
| EG7.81.807    | . . . . BLOCK, FUSE, ASSEMBLY<br>Spares for:—                                | 1       | —           | 10/17     |
| 703-1-00416   | . . . . BLOCK, fuse, 4-way<br>Attaching parts for EG7.81.807:—               | 1       | —           | 10/14     |
| A33/C20       | . . . . Screw, 2BA c'sk head   | 2       | —           | 10/12     |
| AGS585/B      | . . . . Washer, spring   | 2       | —           | 10/13     |
| R EG7.81.809  | . . . . BLOCK, FUSE, ASSEMBLY (Pre Mod 5541)                                 | 1       | —           | 10/9      |
| R EG7.81.5667 | . . . . BLOCK, FUSE, ASSEMBLY (Mod 5541)<br>Spares for:—                     | 1       | —           |           |
| R 703.1.00416 | . . . . BLOCK, fuse, 4-way   | 1       | —           | 10/14     |
| R EG7.81.843  | . . . . LABEL (Pre Mod 5541)   | 1       | —           |           |
| R EG7.81.5659 | . . . . LABEL (Mod 5541)<br>Attaching parts for EG7.81.809 and EG7.81.5667:— | 1       | —           |           |
| A33/C20       | . . . . Screw, 2BA c'sk head   | 2       | —           | 10/12     |
| AGS585/B      | . . . . Washer, spring   | 2       | —           | 10/13     |
| EG7.81.811    | . . . . BLOCK, FUSE, ASSEMBLY (Pre Mod 5466)                                 | 1       | —           | 10/28     |
| EG7.81.5535   | . . . . BLOCK, FUSE, ASSEMBLY (Mod 5466)<br>Spares for:—                     | 1       | —           |           |
| 703-1-00416   | . . . . BLOCK, fuse, 4-way   | 1       | —           | 10/14     |
| EG7.81.841    | . . . . LABEL (Pre Mod 5466)   | 1       | —           |           |
| EG7.81.5533   | . . . . LABEL (Mod 5466)<br>Attaching parts for EG7.81.811:—                 | 1       | —           |           |
| A33/C20       | . . . . Screw, 2BA c'sk head   | 2       | —           | 10/12     |
| AGS585/B      | . . . . Washer, spring   | 2       | —           | 10/13     |
| 703-1-00249   | . . . . BLOCK, terminal, 20-way  | 1       | —           | 10/25     |
| 5E/9993758    | . . . . CABLE, uninyvin 12   | QR      | —           | 10/27     |
| 5E/9012998    | . . . . CABLE, uninyvin 16   | QR      | —           | 10/6      |
| 5E/9008507    | . . . . CABLE, uninyvin 20   | QR      | —           | 10/31     |
| EA1.81.542    | . . . . CARRIER, spare fuse, assembly  | 1       | —           | 10/34     |
| EG7.81.2599   | . . . . COVER, fuse, assembly  | 1       | —           | 10/65     |
| AS2655        | . . . . COVER, block connector   | 1       | —           | 10/54     |
| 703-1-00266   | . . . . COVER, block terminal  | 1       | —           | 10/38     |
| R WIS10112C1  | . . . . FUSE, type 'AS' 5-amp (Mod 5541)                                     | 1       | —           |           |
| 10H/9463981   | . . . . FUSE, type 'AS' 5-amp  | 18      | —           | 10/21     |
| 10H/9718191   | . . . . FUSE, type 'AS' 10-amp   | 1       | —           | 10/30     |
| 10H/4307824   | . . . . FUSE, type 'AS' 20-amp   | 9       | —           | 10/22     |
| 10H/1047920   | . . . . FUSE, dummy (Pre SAS4745)  | 6       | —           | 10/23     |
| R 10H/1047920 | . . . . FUSE, dummy (SAS4745) (Pre Mod 5466) (Pre Mod 5541)                  | 8       | —           |           |
| R 102096      | . . . . FUSE, dummy (Mod 5541)   | 7       | —           |           |
| 102096        | . . . . FUSE, dummy (Mod 5466)   | 4       | —           |           |
| AS10          | . . . . FUSE, 10-amp 'AS' (Mod 5466)   | 1       | —           |           |
| AS20          | . . . . FUSE, 20-amp, 'AS' (Mod 5466)  | 2       | —           |           |
| AS15          | . . . . FUSE, 15-amp, 'AS' (Mod 5466)  | 1       | —           |           |
| EEAS71/1      | . . . . LINK, commoning, 2-way   | 1       | —           | 10/16     |
| EEAS71/3      | . . . . LINK, commoning, 4-way   | 3       | —           | 10/40     |
| Z50210        | . . . . LINK, commoning  | 1       | —           | 10/26     |

ELECTRICAL  
ELECTRICAL EQUIPMENT IN FRONT FUSELAGE

| Part Number    | Description   | No. Off | Mati. Spec. | Plate No. |
|----------------|---|---------|-------------|-----------|
|                |   |         |             |           |
| R EG7.81.795   | . . . . PANEL, bus-bar<br>Spares for:—  | 1       | L72         | 10/24     |
| R SC95409/17   | . . . . LABEL (Mod 4926)  | 1       | —           |           |
| R EG7.81.821   | . . . . LABEL   | 1       | —           |           |
| R EG7.81.823   | . . . . LABEL   | 1       | —           |           |
| R EG7.81.825   | . . . . LABEL   | 1       | —           |           |
| R EG7.81.827   | . . . . LABEL   | 1       | —           |           |
| R EG7.81.829   | . . . . LABEL   | 1       | —           |           |
| R EG7.81.831   | . . . . LABEL   | 1       | —           |           |
| R Z28426       | . . . . PILLAR, fixing  | 2       | —           | 10/20     |
| R EA9.81.10267 | . . . . PILLAR, fixing  | 3       | —           | 10/52     |
| EEAS146/12     | . . . . SLEEVE, 3/4" long, pink   | QR      | —           | 10/43     |
| EEAS146/16     | . . . . SLEEVE, 3/4" long, pink   | QR      | —           | 10/8      |
| M.A.M.         | . . . . SLEEVE, 3 m/m i/d x 3/8" long   | 20      | Grade CXH   | 10/33     |
| EA3.81.271     | . . . . STUD, earth, connecting terminal  | 2       | —           | 10/57     |
| 5CW6185        | . . . . SWITCH, magnetic relay, type "R"  | 1       | —           | 10/55     |
| HC292          | . . . . TAG, ring tongue  | 2       | —           | 10/60     |
| HC490          | . . . . TAG, quick release  | 5       | —           | 10/32     |
| HC500          | . . . . TAG, quick release  | 2       | —           | 10/7      |
| HC510          | . . . . TAG, quick release  | 14      | —           | 10/42     |
| —              | . . . . EQUIPMENT, FRONT FUSELAGE, STARBOARD<br>(EG7.81.1203)<br>Spares for:—     | —       | —           | 11/16     |
| 5Q4347802      | . . . . AMMETER, shunt, 200 x 50 MV<br>Attaching parts for 5Q/4347802:—           | 2       | —           | 11/6      |
| A31/B32        | . . . . Screw, 4BA cheesehead   | 4       | —           | 11/7      |
| 5CY4376491     | . . . . CIRCUIT-BREAKER, type "D", No.1A<br>Attaching parts for 5CY/4376491:—     | 2       | —           | 11/4      |
| A25/18C        | . . . . Bolt, 2BA hex. head   | 8       | —           | 11/2      |
| SP15/C         | . . . . Washer, 2BA plain   | 8       | —           | 11/3      |
| 5CY4376508     | . . . . CUT-OUT, type "A", Mk.2<br>Attaching parts for 5CY/4376508:—              | 2       | —           | 11/5      |
| AS1242/6C      | . . . . Bolt, 2BA c'sk head   | 4       | —           | 11/9      |
| AS1246/7C      | . . . . Bolt, 2BA roundhead   | 4       | —           | 11/17     |
| AGS2001/C/1    | . . . . Nut, stiff, 2BA   | 4       | —           | 11/10     |
| SP15/C         | . . . . Washer, 2BA plain   | 4       | —           | 11/11     |
| EG7.81.2339    | . . . . PANEL, FUSE, H.R.C., ASSEMBLY<br>Spares for:—                             | 1       | —           | 11/18     |
| EA4.81.1391    | . . . . BLOCK, fuse mounting  | 1       | LFS21       | 11/39     |
| EA4.81.1393    | . . . . BLOCK, fuse mounting<br>Attaching parts for EA4.81.1391 and EA4.81.1393:— | 1       | —           | 11/52     |
| AS1246/14B     | . . . . Bolt, 4BA roundhead   | 2       | —           | 11/50     |
| AGS2002/B/1    | . . . . Nut, stiff, 4BA   | 2       | —           | 11/51     |
| EG7.81.2343    | . . . . BLOCK, fuse mounting  | 1       | —           | 11/44     |
| EG7.81.2345    | . . . . BLOCK, fuse mounting<br>Attaching parts for EG7.81.2343 and EG7.81.2345:— | 1       | —           | 11/57     |
| AS1246/11B     | . . . . Bolt, 4BA roundhead   | 2       | —           | 11/12     |
| AGS2002/B/1    | . . . . Nut, stiff, 4BA   | 2       | —           | 11/13     |
| EG7.81.2347    | . . . . BLOCK, fuse mounting  | 1       | —           | 11/14     |

## ELECTRICAL

## ELECTRICAL EQUIPMENT IN FRONT FUSELAGE

| Part Number  | Description   | No. Off | Mtl. Spec. | Plate No. |
|--------------|---|---------|------------|-----------|
|              |   |         |            |           |
| EG7.81.2349  | . . . BLOCK, fuse mounting<br>Attaching parts for EG7.81.2347 and EG7.81.2349:— | 1       | —          | 11/15     |
| AS1246/14B   | . . . Bolt, 4 BA roundhead  | 2       | —          | 11/31     |
| AGS2002/B/1  | . . . Nut, stiff, 4 BA  | 2       | —          | 11/32     |
| EB7.81.1041  | . . . LINK, copper<br>Attaching parts for EB7.81.1041:—                         | 2       | —          | 11/54     |
| AGS2002/E/4  | . . . Nut, stiff, 1/4" BSF  | 2       | —          | 11/43     |
| AGS2002/G/4  | . . . Nut, stiff, 5/16" BSF   | 2       | —          | 11/56     |
| EA4.81.1797  | . . . Stud, 1/4" dia.   | 2       | BS249      | 11/53     |
| EB7.81.1009  | . . . Stud, 5/16" dia.  | 2       | BS249      | 11/41     |
| AS2721       | . . . Washer, contact   | 2       | —          | 11/55     |
| EB7.81.1035  | . . . Washer, copper  | 2       | BS1432     | 11/42     |
| EG7.81.2355  | . . . LINK, copper (Make from Ref. 26333)<br>Attaching parts for EG7.81.2355:—  | 2       | —          | 11/49     |
| AGS2002/E/4  | . . . Nut, stiff, 1/4" BSF  | 2       | —          | 11/28     |
| AGS2002/G/4  | . . . Nut, stiff, 5/16" BSF   | 2       | BS249      | 11/29     |
| EA4.81.1797  | . . . Stud, 1/4" dia.   | 2       | BS249      | 11/19     |
| EB7.81.1009  | . . . Stud, 5/16" dia.  | 2       | BS249      | 11/25     |
| EG7.81.2351  | . . . Washer, copper  | 2       | BS1432     | 11/33     |
| EG7.81.2353  | . . . LINK, copper<br>Attaching parts for EG7.81.2353:—                         | 2       | BS1432     | 11/21     |
| AGS2002/E/4  | . . . Nut, stiff, 1/4" BSF  | 4       | —          | 11/24     |
| EA4.81.1797  | . . . Stud, 1/4" dia.   | 4       | —          | 11/20     |
| AS2721       | . . . Washer, contact   | 4       | —          | 11/22     |
| EG7.81.2351  | . . . Washer, copper  | 4       | BS1432     | 11/23     |
| AS1246/1E    | . . . Bolt, 1/4" BSF roundhead<br>Attaching parts for EG7.81.2339:—             | 4       | —          | 11/40     |
| KD066/56/E   | . . PLUG, external power supply<br>Attaching parts for KD066/56/E:—             | 1       | —          | 11/45     |
| AS1242/7E    | . . Bolt, 1/4" BSF c'sk head  | 4       | —          | 11/46     |
| AGS2002/E/2  | . . Nut, stiff, 1/4" BSF  | 4       | —          | 11/47     |
| SP15/E       | . . Washer, 1/4" BSF plain  | 4       | —          | 11/48     |
| EL35659      | . . PLUG, external power supply<br>Attaching parts for EL35659:—                | 1       | —          | 11/35     |
| AGS2001/C/1  | . . Nut, stiff, 2 BA  | 2       | —          | 11/36     |
| A31/C28      | . . Screw, 2 BA cheesehead  | 2       | —          | 11/37     |
| SP22/C       | . . Washer, 2 BA  | 2       | —          | 11/38     |
| R 5UC4379085 | . . REGULATOR, voltage, type 23<br>Attaching parts for 5UC/4379085:—            | 2       | —          | 11/8      |
| A25/18C      | . . Bolt, 2 BA hex. head  | 8       | —          | 11/1      |
| R 5UC4379038 | . . REGULATOR, voltage, type 32<br>Attaching parts for 5UC/4379038:—            | 1       | —          | 11/26     |
| A25/11C      | . . Bolt, 2 BA hex. head  | 4       | —          | 11/30     |
| EG7.81.2435  | . FAIRLEAD, half<br>Attaching parts for EG7.81.2435:—                           | 4       | BS2572     | 18/36     |
| A31/A28      | . Screw, 6 BA cheesehead  | 4       | —          | 18/35     |
| SP47/A       | . Washer, 6 BA spring   | 4       | —          | 18/38     |

## ELECTRICAL

## ELECTRICAL EQUIPMENT IN FRONT FUSELAGE

| Part Number      | Description   | No. Off | Mati. Spec. | Plate No. |
|------------------|---|---------|-------------|-----------|
|                  |   |         |             |           |
| R G51/HC         | . GROMMET (Mod 5466)  | QR      | -           |           |
| 5CZ/1961         | . HORN, electric, type 'C'  | 1       | -           | 15/17     |
|                  | Attaching parts for 5CZ/1961:-  |         |             |           |
| A25/2E           | . Bolt, 1/4" BSF hex. head  | 2       | -           | 15/16     |
| R -              | . LIGHTING, GENERAL, ASSEMBLY (EG7.81.65)<br>(Pre Mod 5466)                                       | -       | -           | 13/25     |
| R -              | . LIGHTING, GENERAL, ASSEMBLY (EG7.81.5267)<br>(Mod 5466)   | -       | -           |           |
|                  | Spares for:-  |         |             |           |
| EA3.81.1831      | . . . BAG, stowage, inspection lamp   | 1       | -           | 15/18     |
| R 72541-025-0    | . . . BLOCK, terminal, 5 way (Mod 5466)   | 1       | -           | 54/1      |
| R 5CZ/432        | . . . BLOCK, terminal, 3 way (Mod 5466)   | 1       | -           | 54/2      |
|                  | Attaching parts:-   |         |             |           |
| R AGS2001/A/1    | . . . Nut, stiff, 6 BA  | 2       | -           | 54/3      |
| R A33/A12        | . . . Screw, 6 BA   | 2       | -           | 54/4      |
| R SP15/A         | . . . Washer  | 2       | -           | 54/5      |
| R 5CZ/430        | . . . BLOCK, terminal, 2 way (Mod 5466)   | 1       | -           | 54/6      |
|                  | Attaching parts:-   |         |             |           |
| R AGS2001/A/1    | . . . Nut, stiff, 6 BA  | 2       | -           | 54/7      |
| R A33/A12        | . . . Screw, 6 BA   | 2       | -           | 54/8      |
| R SP15/A         | . . . Washer  | 2       | -           | 54/9      |
| R AS1246/2C      | . . . BOLT (Mod 5466)   | 4       | -           | 54/10     |
| CZ50206          | . . . BLOCK, terminal, type 'G', 3-way  | 1       | -           | 12/31     |
| R CZ50206        | . . . BLOCK, terminal, type 'G', 3-way  | 1       | -           | 12/9      |
| 703-1-00249      | . . . BLOCK, terminal, type 'G', 20-way   | 1       | -           | 13/30     |
| 703-1-00238      | . . . BLOCK, terminal, type 'G', 5-way  | 1       | -           | 12/33     |
| R EG7.81.5501    | . . . BRACKET (Mod 5466)  | 1       | -           | 54/11     |
| R EG7.81.5505    | . . . BRACKET, assembly (Mod 5466)  | 1       | -           | 54/12     |
|                  | Spares for:-  |         |             |           |
| R EG7.81.5503    | . . . BRACKET   | 1       | -           | 54/13     |
| R AGS2007/C/1    | . . . NUT, anchor, 2 BA   | 2       | -           | 54/14     |
| R EG7.81.5499    | . . . BRACKET (Mod 5466)  | 1       | -           | 54/15     |
|                  | Attaching parts:-   |         |             |           |
| R A25/1C         | . . . Bolt, 2 BA, hex head  | 2       | -           | 54/16     |
| R AGS2001/C/1-66 | . . . Nut, stiff, 2 BA  | 2       | -           | 54/17     |
| R SP124/D        | . . . Washer  | 2       | -           | 54/18     |
| R EG7.81.5507    | . . . BRACKET (Mod 5466)  | 1       | -           | 54/19     |
| EG7.81.925       | . . . CABLE, ASSEMBLY, N429, FROM ELECTRICAL<br>CONTROL PANEL TO STARBOARD<br>DIMMER PANEL, GROUP | 1       | -           |           |
|                  | Consisting of:-   |         |             |           |
| UNINYVIN 20      | . . . CABLE   | QR      | -           |           |
| 508/2/05604/002  | . . . PIN, plug, size 16/20   | 10      | -           |           |
| UK-AN            |   |         |             |           |
| 9000-18-1P       | . . . PLUG, face, 10-way  | 1       | -           |           |
| 508/2/04367      | . . . PLUG, filler  | 2       | -           |           |
| 508/2/05851/005  | . . . RING, anti-chafe  | 1       | -           |           |
| 2Z139623         | . . . SLEEVE, packing   | 8       | -           |           |
| EEAS146/20       | . . . SLEEVE, 3/4" long, pink   | QR      | -           |           |
| EEAS146/2        | . . . SLEEVE, 1" long, pink   | QR      | -           |           |
| NY18067          | . . . STRAP, nylon  | QR      | -           |           |
| NY3255           | . . . STUD, nylon   | QR      | -           |           |
| HC490            | . . . TAG, quick release  | 4       | -           |           |

## ELECTRICAL

## ELECTRICAL EQUIPMENT IN FRONT FUSELAGE

| Part Number       | Description  | No. Off | Matl. Spec. | Plate No. |
|-------------------|--|---------|-------------|-----------|
|                   |  |         |             |           |
| R EG7.81.929      | . . . CABLE, ASSEMBLY, N431, FROM ELECTRICAL CONTROL PANEL TO NAVIGATOR'S PANEL<br>Consisting of:—   | 1       | —           |           |
| R UNINYVIN 16     | . . . CABLE, uninyvin 16   | QR      | —           |           |
| R 2Z139495        | . . . PIN, plug, size 12/16  | 3       | —           |           |
| R UK-AN           |  |         |             |           |
| 9000-16-10P/W     | . . . PLUG, free, 3 way  | 1       | —           |           |
| R 508/2/05851/004 | . . . RING, anti-chafe   | 1       | —           |           |
| R 2Z139626        | . . . SLEEVE, packing  | 3       | —           |           |
| R G198-1-1-13-13  | . . . SLEEVE   | QR      | —           |           |
| R G198-1-1-9-19   | . . . SLEEVE   | QR      | —           |           |
| R HC500           | . . . TAG, QR  | 3       | —           |           |
| R EG7.81.931      | . . . CABLE, ASSEMBLY, N432, FROM ELECTRICAL CONTROL PANEL TO TERMINAL BLOCK ON SPECIAL EQUIPMENT PANEL, GROUP (Pre Mod 5466)<br>Consisting of:— | 1       | —           |           |
| UNINYVIN 16       | . . . CABLE  | QR      | —           |           |
| 508/2/03547/002   | . . . PIN, plug, size 16   | 7       | —           |           |
| UK-AN             |  |         |             |           |
| 9000-16-1P        | . . . PLUG, free, 7-way  | 1       | —           |           |
| 508/2/04367       | . . . PLUG, filler   | 3       | —           |           |
| 508/2/05851/004   | . . . RING, anti-chafe   | 1       | —           |           |
| 2Z139623          | . . . SLEEVE, packing  | 4       | —           |           |
| EEAS146/16        | . . . SLEEVE, 3/4" long, pink  | QR      | —           |           |
| EEAS146/6         | . . . SLEEVE, 1" long, pink  | QR      | —           |           |
| HC500             | . . . TAG, quick release   | 4       | —           |           |
| R EG7.81.5457     | . . . CABLE, ASSEMBLY, N432 (Mod 5466)   | 1       | —           |           |
| EG7.81.933        | . . . CABLE, ASSEMBLY, N433, FROM STARBOARD DIMMER PANEL TO PILOTS COAMING PANEL, PORT, GROUP<br>Consisting of:—                                 | 1       | —           |           |
| UNINYVIN 20       | . . . CABLE  | QR      | —           |           |
| EEAS146/20        | . . . SLEEVE, 3/4" long, pink  | QR      | —           |           |
| EEAS146/12        | . . . SLEEVE, 1" long, pink  | QR      | —           |           |
| HC490             | . . . TAG, quick release   | 2       | —           |           |
| EG7.81.947        | . . . CABLE, ASSEMBLY, N441, FROM U.H.F. CONTROL UNIT STARBOARD FIXED PANEL TO STARBOARD DIMMER PANEL, GROUP<br>Consisting of:—                  | 1       | —           |           |
| UNINYVIN 20       | . . . CABLE  | QR      | —           |           |
| EEAS146/20        | . . . SLEEVE, 3/4" long, pink  | QR      | —           |           |
| HC490             | . . . TAG, quick release   | 2       | —           |           |
| EG7.81.949        | . . . CABLE, ASSEMBLY, N442, FROM STARBOARD DIMMER PANEL TO RAD/ALT CONTROL UNIT, PILOT'S COAMING PANEL, STARBOARD, GROUP<br>Consisting of:—     | 1       | —           |           |
| UNINYVIN 20       | . . . CABLE  | QR      | —           |           |

AP101B-0417-3A

## ELECTRICAL

## ELECTRICAL EQUIPMENT IN FRONT FUSELAGE

| Part Number                     | Description   | No.<br>Off | Mati. Spec. | Plate No. |
|---------------------------------|---|------------|-------------|-----------|
|                                 |   |            |             |           |
| 508/1/07776/001                 | . . . CLAMP, cable  | 1          | -           |           |
| 508/2/07706/300                 | . . . GASKET, outlet  | 1          | -           |           |
| 508/2/07719/300                 | . . . GASKET, union   | 1          | -           |           |
| 508/2/07648/001                 | . . . OUTLET, angle   | 1          | -           |           |
| 508/2/07708/300                 | . . . RING, sealing   | 1          | -           |           |
| 508/2/07752/007                 | . . . RING, thrust  | 1          | -           |           |
| EEAS146/20                      | . . . SLEEVE, 3/4" long, pink   | QR         | -           |           |
| EEAS146/6                       | . . . SLEEVE, 1" long, pink   | QR         | -           |           |
| 508/1/07002/220                 | . . . SOCKET, free, Mk. 7 (T4)  | 1          | -           |           |
| HC490                           | . . . TAG, quick release  | 4          | -           |           |
| EG7.81.959                      | . . CABLE, ASSEMBLY, N447, FROM PILOT'S<br>COAMING PANEL TO EMERGENCY<br>LIGHT, PORT, AMBER, GROUP<br>Consisting of:-     | 1          | -           |           |
| R UNINYVIN 20                   | . . . CABLE   | QR         | -           |           |
| EEAS146/20                      | . . . SLEEVE, 3/4" long, pink   | QR         | -           |           |
| EEAS146/12                      | . . . SLEEVE, 1" long, pink   | QR         | -           |           |
| HC298D                          | . . . TAG, ring tongue  | 2          | -           |           |
| HC490                           | . . . TAG, quick release  | 2          | -           |           |
| EG7.81.961                      | . . CABLE, ASSEMBLY, N448 FROM PILOT'S<br>COAMING PANEL TO EMERGENCY<br>LIGHT, STARBOARD, AMBER, GROUP<br>Consisting of:- | 1          | -           |           |
| R UNINYVIN 20                   | . . . CABLE   | QR         | -           |           |
| EEAS146/20                      | . . . SLEEVE, 3/4" long, pink   | QR         | -           |           |
| EEAS146/12                      | . . . SLEEVE, 1" long, pink   | QR         | -           |           |
| HC298D                          | . . . TAG, ring tongue  | 2          | -           |           |
| HC490                           | . . . TAG, quick release  | 2          | -           |           |
| EG7.81.965<br>or<br>EG7.81.3677 | . . CABLE, ASSEMBLY, N501, FROM PILOT'S<br>COAMING PANEL TO EMERGENCY<br>LIGHT SWITCH, GROUP<br>Consisting of:-           | 1          | -           |           |
| R UNINYVIN 20                   | . . . CABLE   | QR         | -           |           |
| EEAS146/12                      | . . . SLEEVE, 1/2" long, pink   | QR         | -           |           |
| EEAS146/20                      | . . . SLEEVE, 3/4" long, pink   | QR         | -           |           |

## ELECTRICAL

## ELECTRICAL EQUIPMENT IN FRONT FUSELAGE

| Part Number   | Description   | No. Off | Matl. Spec. | Plate No. |
|---------------|---|---------|-------------|-----------|
|               |   |         |             |           |
| HC294         | . . . TAG, ring tongue  | 2       | -           |           |
| HC295         | . . . TAG, ring tongue  | 3       | -           |           |
| HC490         | . . . TAG, quick release  | 1       | -           |           |
| EG7.81.1229   | . . . CABLE, ASSEMBLY, N509A, FROM PILOT'S<br>COAMING PANEL TO STARBOARD<br>INBOARD AND OUTBOARD U/V<br>LAMP, GROUP<br>Consisting of: - | 1       | -           |           |
| R UNINYVIN 20 | . . . CABLE   | QR      | -           |           |
| EEAS146/12    | . . . SLEEVE, 1/2" long, pink   | QR      | -           |           |
| EEAS146/20    | . . . SLEEVE, 3/4" long, pink   | QR      | -           |           |
| R HT20-1/2    | . . . SLEEVE, Helsyn, 150 white, 1/2" long  | 6       | -           |           |
| HC490         | . . . TAG, quick release  | 2       | -           |           |
| EG7.81.1233   | . . . CABLE, ASSEMBLY, N609C, FROM PILOT'S<br>COAMING PANEL TO STARBOARD<br>OUTBOARD RED LIGHT, GROUP<br>Consisting of: -               | 1       | -           |           |
| R UNINYVIN 20 | . . . CABLE   | QR      | -           |           |
| EEAS146/20    | . . . SLEEVE, 3/4" long, pink   | QR      | -           |           |
| EEAS146/12    | . . . SLEEVE, 1" long, pink   | QR      | -           |           |
| HC298D        | . . . TAG, ring tongue  | 2       | -           |           |
| HC490         | . . . TAG, quick release  | 2       | -           |           |
| EG7.81.1235   | . . . CABLE, ASSEMBLY, N509D, FROM PILOT'S<br>COAMING PANEL TO STARBOARD<br>INBOARD RED LIGHT, GROUP<br>Consisting of: -                |         |             |           |
| R UNINYVIN 20 | . . . CABLE   | QR      | -           |           |
| EEAS146/20    | . . . SLEEVE, 3/4" long, pink   | QR      | -           |           |
| EEAS146/12    | . . . SLEEVE, 1" long, pink   | QR      | -           |           |
| HC298D        | . . . TAG, ring tongue  | 2       | -           |           |
| HC490         | . . . TAG, quick release  | 2       | -           |           |

AP101B-0417-3A

## ELECTRICAL

## ELECTRICAL EQUIPMENT IN FRONT FUSELAGE

| Part Number   | Description  | No. Off | Matl. Spec. | Plate No. |
|---------------|--|---------|-------------|-----------|
|               |  |         |             |           |
| EG7.81.1239   | . . . CABLE, ASSEMBLY, N510A, FROM<br>PILOT'S COAMING PANEL TO<br>PORT INBOARD RED LIGHT,<br>GROUP<br>Consisting of:—      | 1       | —           |           |
| R UNINYVIN 20 | . . . CABLE  | QR      | —           |           |
| EEAS146/20    | . . . SLEEVE, 3/4" long, pink  | QR      | —           |           |
| EEAS146/12    | . . . SLEEVE, 1" long, pink  | QR      | —           |           |
| HC298D        | . . . TAG, ring tongue   | 2       | —           |           |
| HC490         | . . . TAG, quick release   | 2       | —           |           |
| EG7.81.1241   | . . . CABLE, ASSEMBLY, N510B, FROM<br>PILOT'S COAMING PANEL TO<br>PORT OUTBOARD RED LIGHT,<br>GROUP<br>Consisting of:—     | 1       | —           |           |
| R UNINYVIN 20 | . . . CABLE  | QR      | —           |           |
| EEAS146/20    | . . . SLEEVE, 3/4" long, pink  | QR      | —           |           |
| EEAS146/12    | . . . SLEEVE, 1" long, pink  | QR      | —           |           |
| HC298D        | . . . TAG, ring tongue   | 2       | —           |           |
| HC490         | . . . TAG, quick release   | 2       | —           |           |
| EG7.81.1243   | . . . CABLE, ASSEMBLY, N510C, FROM<br>PILOT'S COAMING PANEL TO<br>PORT FORWARD SIDE RED LIGHT,<br>GROUP<br>Consisting of:— | 1       | —           |           |
| R UNINYVIN 20 | . . . CABLE  | QR      | —           |           |
| EEAS146/20    | . . . SLEEVE, 3/4" long, pink  | QR      | —           |           |
| EEAS146/12    | . . . SLEEVE, 1" long, pink  | QR      | —           |           |
| R HT30-1/2    | . . . SLEEVE, Helsyn, 150 white, 1/2" long   | 4       | —           |           |
| HC298D        | . . . TAG, ring tongue   | 2       | —           |           |
| HC490         | . . . TAG, quick release   | 2       | —           |           |
| EG7.81.1245   | . . . CABLE, ASSEMBLY, N510D, FROM<br>PILOT'S COAMING PANEL TO<br>PORT AFT SIDE RED LIGHT,<br>GROUP<br>Consisting of:—     | 1       | —           |           |
| R UNINYVIN 20 | . . . CABLE  | QR      | —           |           |

## ELECTRICAL

## ELECTRICAL EQUIPMENT IN FRONT FUSELAGE

| Part Number | Description  | No. Off | Matl. Spec. | Plate No. |
|-------------|--|---------|-------------|-----------|
|             |  |         |             |           |
| R           | EEAS146/20 . . . SLEEVE, 3/4" long, pink   | QR      | —           |           |
|             | EEAS146/12 . . . SLEEVE, 1" long, pink   | QR      | —           |           |
|             | HT30-1/2 . . . SLEEVE, Helsyn, 150 white, 1/2" long  | 4       | —           |           |
|             | HC298D . . . TAG, ring tongue  | 2       | —           |           |
|             | HC490 . . . TAG, quick release   | 2       | —           |           |
|             | EG7.81.1247 . . . CABLE, ASSEMBLY, N510E, FROM PILOT'S<br>COAMING PANEL TO INSTRUMENT<br>PANEL TERMINAL BLOCK, GROUP<br>Consisting of:—        | 1       | —           |           |
| R           | UNINYVIN 20 . . . CABLE  | QR      | —           |           |
|             | EEAS146/20 . . . SLEEVE, 3/4" long, pink   | QR      | —           |           |
|             | EEAS146/12 . . . SLEEVE, 1" long, pink   | QR      | —           |           |
|             | HC294 . . . TAG, ring tongue   | 2       | —           |           |
|             | HC490 . . . TAG, quick release   | 2       | —           |           |
|             | EG7.81.1249 . . . CABLE, ASSEMBLY, N510F, FROM PILOT'S<br>COAMING PANEL TO PORT<br>INBOARD AND OUTBOARD<br>U/V LAMPS, GROUP<br>Consisting of:— | 1       | —           |           |
| R           | UNINYVIN 20 . . . CABLE  | QR      | —           |           |
|             | EEAS146/20 . . . SLEEVE, 3/4" long, pink   | QR      | —           |           |
|             | EEAS146/12 . . . SLEEVE, 1" long, pink   | QR      | —           |           |
|             | HC296 . . . TAG, ring tongue   | 4       | —           |           |
|             | HC490 . . . TAG, quick release   | 2       | —           |           |
|             | EG7.81.1259 . . . CABLE, ASSEMBLY, N511A, FROM PILOT'S<br>CONSOLE TO OXYGEN REGULATOR<br>RED LIGHT, GROUP<br>Consisting of:—                   | 1       | —           |           |
| R           | UNINYVIN 20 . . . CABLE  | QR      | —           |           |
|             | EEAS146/20 . . . SLEEVE, 3/4" long, pink   | QR      | —           |           |
|             | EEAS146/12 . . . SLEEVE, 1" long, pink   | QR      | —           |           |
|             | HC294 . . . TAG, ring tongue   | 2       | —           |           |
|             | HC298D . . . TAG, ring tongue  | 2       | —           |           |

## ELECTRICAL

## ELECTRICAL EQUIPMENT IN FRONT FUSELAGE

| Part Number   | Description  | No. Off | Matl. Spec. | Plate No. |
|---------------|--|---------|-------------|-----------|
|               |  |         |             |           |
| EG7.81.1263   | . . . CABLE, ASSEMBLY, N511C, FROM PILOT'S<br>CONSOLE TO RADIO PANEL RED<br>LIGHT, GROUP<br>Consisting of:—                            | 1       | —           |           |
| UNINYVIN 20   | . . . . CABLE  | QR      | —           |           |
| EEAS146/20    | . . . . SLEEVE, 3/4" long, pink  | QR      | —           |           |
| EEAS146/12    | . . . . SLEEVE, 1" long, pink  | QR      | —           |           |
| HC294         | . . . . TAG, ring tongue   | 2       | —           |           |
| HC298D        | . . . . TAG, ring tongue   | 2       | —           |           |
| EG7.81.1265   | . . . CABLE, ASSEMBLY, N511D, FROM PILOT'S<br>CONSOLE TO FORWARD RED<br>LIGHT, GROUP<br>Consisting of:—                                | 1       | —           |           |
| UNINYVIN 20   | . . . . CABLE  | QR      | —           |           |
| EEAS146/20    | . . . . SLEEVE, 3/4" long, pink  | QR      | —           |           |
| EEAS146/12    | . . . . SLEEVE, 1" long, pink  | QR      | —           |           |
| HC294         | . . . . TAG, ring tongue   | 2       | —           |           |
| HC298D        | . . . . TAG, ring tongue   | 2       | —           |           |
| R EG7.81.1267 | . . . CABLE, ASSEMBLY, 14F, FROM JB14<br>TERMINAL BLOCK TO A/E<br>OPERATOR'S DIMMER SWITCH,<br>GROUP (Pre Mod 5466)<br>Consisting of:— | 1       | —           |           |
| UNINYVIN 20   | . . . . CABLE  | QR      | —           |           |
| Z22430        | . . . . GROMMET, No. 2   | 1       | —           |           |
| EEAS146/20    | . . . . SLEEVE, 3/4" long, pink  | QR      | —           |           |
| EEAS146/12    | . . . . SLEEVE, 1" long, pink  | QR      | —           |           |
| HC490         | . . . . TAG, quick release   | 2       | —           |           |
| R EG7.81.5281 | . . . CABLE ASSEMBLY, 14F (Mod 5466)   | 1       | —           |           |
| R EG7.81.1269 | . . . CABLE, ASSEMBLY, 14F1, FROM A/E<br>OPERATOR'S DIMMER SWITCH TO<br>WANDER LAMP, GROUP (Pre Mod 5466)<br>Consisting of:—           | 1       | —           |           |
| UNINYVIN 20   | . . . . CABLE  | QR      | —           |           |
| EEAS146/20    | . . . . SLEEVE, 3/4" long, pink  | QR      | —           |           |
| EEAS146/12    | . . . . SLEEVE, 1" long, pink  | QR      | —           |           |
| HC294         | . . . . TAG, ring tongue   | 2       | —           |           |
| R EG7.81.5491 | . . . CABLE ASSEMBLY, 14F1 (Mod 5466)  | 1       | —           |           |

## ELECTRICAL

## ELECTRICAL EQUIPMENT IN FRONT FUSELAGE

| Part Number   | Description   | No. Off | Mati. Spec. | Plate No. |
|---------------|---|---------|-------------|-----------|
|               |   |         |             |           |
| R EG7.81.1315 | . . . CABLE, ASSEMBLY, N514, FROM TERMINAL BLOCK ON NAVIGATOR'S PANEL TO PORT INSTRUMENT PANEL LIGHT, GROUP (Pre Mod 5466)<br>Consisting of:—           | 1       | —           |           |
| UNINYVIN 20   | . . . CABLE   | QR      | —           |           |
| EEAS146/20    | . . . SLEEVE, 3/4" long, pink   | QR      | —           |           |
| HC490         | . . . TAG, quick release  | 1       | —           |           |
| R EG7.81.5271 | . . . CABLE, ASSEMBLY, N514 (Mod 5466)  | 1       | —           |           |
| R EG7.81.1317 | . . . CABLE, ASSEMBLY, N515, FROM TERMINAL BLOCK ON NAVIGATOR'S PANEL TO AIR TEMPERATURE INDICATOR PANEL LIGHT, GROUP (Pre Mod 5466)<br>Consisting of:— | 1       | —           |           |
| UNINYVIN 20   | . . . CABLE   | QR      | —           |           |
| EEAS146/20    | . . . SLEEVE, 3/4" long, pink   | QR      | —           |           |
| HC490         | . . . TAG, quick release  | 1       | —           |           |
| R EG7.81.5273 | . . . CABLE, ASSEMBLY, N515 (Mod 5466)  | 1       | —           |           |
| R EG7.81.1319 | . . . CABLE, ASSEMBLY, N516, FROM TERMINAL BLOCK ON NAVIGATOR'S PANEL TO GYRO COMPASS PANEL LIGHT, GROUP (Pre Mod 5466)<br>Consisting of:—              | 1       | —           |           |
| UNINYVIN 20   | . . . CABLE   | QR      | —           |           |
| EEAS146/20    | . . . SLEEVE, 3/4" long, pink   | QR      | —           |           |
| HC490         | . . . TAG, quick release  | 1       | —           |           |
| R EG7.81.5275 | . . . CABLE, ASSEMBLY, N516 (Mod 5466)  | 1       | —           |           |
| R EG7.81.1321 | . . . CABLE, ASSEMBLY, N517, FROM TERMINAL BLOCK ON NAVIGATOR'S PANEL TO ALTIMETER AND A.S.I. PANEL LIGHT, GROUP (Pre Mod 5466)<br>Consisting of:—      | 1       | —           |           |
| UNINYVIN 20   | . . . CABLE   | QR      | —           |           |
| EEAS146/20    | . . . SLEEVE, 3/4" long, pink   | QR      | —           |           |
| HC490         | . . . TAG, quick release  | 1       | —           |           |
| R EG7.81.5277 | . . . CABLE, ASSEMBLY, N517 (Mod 5466)  | 1       | —           |           |
| R EG7.81.1323 | . . . CABLE, ASSEMBLY, N518, FROM TERMINAL BLOCK ON NAVIGATOR'S PANEL TO ALTERNATOR CONTROL PANEL LIGHT, GROUP<br>Consisting of:—                       | 1       | —           |           |
| UNINYVIN 20   | . . . CABLE   | QR      | —           |           |
| EEAS146/20    | . . . SLEEVE, 3/4" long, pink   | QR      | —           |           |
| HC490         | . . . TAG, quick release  | 1       | —           |           |
| R EG7.81.5481 | . . . CABLE, ASSEMBLY, N538A (Mod 5466)   | 1       | —           |           |
| R EG7.81.5279 | . . . CABLE, ASSEMBLY, N580 (Mod 5466)  | 1       | —           |           |
| R EG7.81.5479 | . . . CABLE, ASSEMBLY, N560A (Mod 5466)   | 1       | —           |           |

AP101B-0417-3A

## ELECTRICAL

## ELECTRICAL EQUIPMENT IN FRONT FUSELAGE

| Part Number            | 1 2 3 4 5 6 | Description  | No. | Mtl. Spec. | Plate No. |
|------------------------|-------------|--|-----|------------|-----------|
|                        |             |  | Off |            |           |
| EG7.81.1521            |             | . . . CABLE, ASSEMBLY, N525, FROM STARBOARD DIMMER PANEL TO PILOT'S U.A.60 STATION BOX, GROUP                                    | 1   | -          |           |
| UNINYVIN 20            |             | . . . CABLE  | QR  | -          |           |
| EEAS146/20             |             | . . . SLEEVE, 3/4" long, pink  | QR  | -          |           |
| HC490                  |             | . . . TAG, quick release   | 1   | -          |           |
| EG7.81.1591            |             | . . . CABLE, ASSEMBLY, F526, FROM MAIN ELECTRICAL PANEL TO LAMP SOCKET, GROUP<br>Consisting of:-                                 |     |            |           |
| UNINYVIN 20            |             | . . . CABLE  | QR  | -          |           |
| BENDIX                 |             | . . . PLUG, filler 20  | 1   | -          |           |
| 10-101033-10           |             |  |     |            |           |
| EEAS146/20             |             | . . . SLEEVE, 3/4" long, pink  | QR  | -          |           |
| EEAS146/12             |             | . . . SLEEVE, 1" long, pink  | QR  | -          |           |
| BENDIX                 |             | . . . SOCKET, pygmy, fixed   | 1   | -          |           |
| Pt.07,SE.8.33S<br>(SR) |             |  |     |            |           |
| HC292                  |             | . . . TAG, ring tongue   | 1   | -          |           |
| HC490                  |             | . . . TAG, quick release   | 1   | -          |           |
| R EG7.81.2225          |             | . . . CABLE, ASSEMBLY, 13F1, FROM DIMMER SWITCH TO NAVIGATOR'S WANDER LAMP, GROUP (Pre Mod 5466)<br>Consisting of:-              | 1   | -          |           |
| UNINYVIN 20            |             | . . . CABLE  | QR  | -          |           |
| EEAS146/20             |             | . . . SLEEVE, 3/4" long, pink  | QR  | -          |           |
| EEAS146/12             |             | . . . SLEEVE, 1" long, pink  | QR  | -          |           |
| HC294                  |             | . . . TAG, ring tongue   | 2   | -          |           |
| R EA3.81.2226          |             | . . . CABLE, ASSEMBLY, 13F, 13G, FROM J.B.13 TO DIMMER SWITCH AND NAVIGATORS CABIN LAMP, GROUP (Pre Mod 5466)<br>Consisting of:- | 1   | -          |           |
| UNIPREN 4              |             | . . . CABLE  | QR  | -          |           |
| Z22430                 |             | . . . GROMMET, No. 2   | 1   | -          |           |
| EEAS146/A1             |             | . . . SLEEVE, 3/4" long, yellow  | QR  | -          |           |
| EEAS146/B              |             | . . . SLEEVE, 1" long, yellow  | QR  | -          |           |
| Z19925                 |             | . . . TAG, quick release   | 4   | -          |           |
| Z19980                 |             | . . . THIMBLE  | 4   | -          |           |
| R EG7.81.5493          |             | . . . CABLE, ASSEMBLY, 13F, 13G (Mod 5466)   | 1   | -          |           |
| R EG7.81.5283          |             | . . . CABLE, ASSEMBLY, N560 (Mod 5466)   | 1   | -          |           |
| R EG7.81.5367          |             | . . . CABLE, ASSEMBLY, N518 (Mod 5466)   | 1   | -          |           |

## ELECTRICAL

## ELECTRICAL EQUIPMENT IN FRONT FUSELAGE

| Part Number            | Description   | No.<br>Off | Matl. Spec. | Plate No. |
|------------------------|---|------------|-------------|-----------|
|                        |   |            |             |           |
| EG7.81.2403            | . . . CABLE, ASSEMBLY, F36, FROM MAIN<br>ELECTRICAL PANEL TO<br>EQUIPMENT BAY LIGHT, GROUP<br>Consisting of:—   | 1          | —           |           |
| UNINYVIN 20            | . . . CABLE   | QR         | —           |           |
| EEAS146/12             | . . . SLEEVE, 3/4" long, pink   | QR         | —           |           |
| EEAS146/20             | . . . SLEEVE, 3/4" long, pink   | QR         | —           |           |
| HC294                  | . . . TAG, ring tongue  | 1          | —           |           |
| HC490                  | . . . TAG, quick release  | 1          | —           |           |
| ROSS COURTNEY<br>WE500 | . . . TAG, crown end  | 2          | —           |           |
| R EG7.81.2579          | . . . CABLE, ASSEMBLY N538, FROM TERMINAL<br>BLOCK ON NAVIGATOR'S PANEL<br>TO NAVIGATOR'S INSTRUMENT<br>PANEL, STARBOARD, GROUP (Pre Mod 5466)<br>Consisting of:— | 1          | —           |           |
| UNINYVIN 20            | . . . CABLE   | QR         | —           |           |
| EEAS146/20             | . . . SLEEVE, 3/4" long, pink   | QR         | —           |           |
| HC490                  | . . . TAG, quick release  | 1          | —           |           |
| R EG7.81.5269          | . . . CABLE, ASSEMBLY, N538 (Mod 5466)  | 1          | —           |           |
| EG7.81.2581            | . . . CABLE, ASSEMBLY, N539, FROM PILOT'S<br>COAMING PANEL TO STARBOARD<br>FIXED PANEL LIGHT, RED INNER,<br>GROUP<br>Consisting of:—                              | 1          | —           |           |
| UNINYVIN 20            | . . . CABLE   | QR         | —           |           |
| R G198-1-1-11-25       | . . . SLEEVE  | QR         | —           |           |
| R G198-1-1-7-25        | . . . SLEEVE  | QR         | —           |           |
| R HC298/D              | . . . TAG, RT   | 2          | —           |           |
| R HC490                | . . . TAG, QR   | 2          | —           |           |
| R EG7.81.5341          | . . . CABLE, ASSEMBLY, N571 (Mod 5466)  | 1          | —           |           |
| R EG7.81.5483          | . . . CABLE, ASSEMBLY, N5608 (Mod 5466)   | 1          | —           |           |

## ELECTRICAL

## ELECTRICAL EQUIPMENT IN FRONT FUSELAGE

| Part Number                      | Description  | No. Off | Mati. Spec. | Plate No. |
|----------------------------------|--|---------|-------------|-----------|
|                                  |  |         |             |           |
| EG7.81.2585                      | . . . CABLE, ASSEMBLY, N543, FROM STARBOARD DIMMER PANEL TO RADIO LIGHT DIMMER, GROUP<br>Consisting of:                        | 1       | -           |           |
| UNINYVIN 20                      | . . . CABLE,   | QR      | -           |           |
| EEAS146/20                       | . . . SLEEVE, 3/4" long, pink  | QR      | -           |           |
| HC490                            | . . . TAG, quick release   | 1       | -           |           |
| EG7.81.2143                      | . . . CABLE, ASSEMBLY, N544, FROM DIMMER PANEL STARBOARD TO FIXED PANEL STARBOARD, GROUP<br>Consisting of:                     | 1       | -           |           |
| UNINYVIN 20                      | . . . CABLE,   | QR      | -           |           |
| EEAS146/20                       | . . . SLEEVE, 3/4" long  | QR      | -           |           |
| EEAS146/12                       | . . . SLEEVE, 1" long  | QR      | -           |           |
| HC294                            | . . . TAG, ring tongue   | 2       | -           |           |
| HC490                            | . . . TAG, quick release   | 2       | -           |           |
| EG7.81.2771                      | . . . CABLE, ASSEMBLY, N545, FROM PILOT'S INSTRUMENT LIGHTING TO TERMINAL BLOCK AND RESISTOR ASSEMBLY, GROUP<br>Consisting of: | 1       | -           |           |
| UNINYVIN 20                      | . . . CABLE,   | QR      | -           |           |
| EEAS146/20                       | . . . SLEEVE, 3/4" long  | QR      | -           |           |
| HC294                            | . . . TAG, ring tongue   | 2       | -           |           |
| HC490                            | . . . TAG, quick release   | 2       | -           |           |
| EG7.81.2781<br>or<br>EG7.81.3679 | . . . CABLE, ASSEMBLY, N547, FROM FUSE BLOCK AT PORT CONSOLE TO EMERGENCY LIGHTS SWITCH, GROUP<br>Consisting of:               | 1       | -           |           |
| UNINYVIN 20                      | . . . CABLE,   | QR      | -           |           |
| EEAS146/20                       | . . . SLEEVE, 3/4" long  | QR      | -           |           |
| EEAS146/20                       | . . . SLEEVE, 1 1/2" long  | QR      | -           |           |
| HC295                            | . . . TAG, ring tongue   | 1       | -           |           |
| HC490                            | . . . TAG, quick release   | 1       | -           |           |

## ELECTRICAL

## ELECTRICAL EQUIPMENT IN FRONT FUSELAGE

| Part Number   | Description   | No. Off | Matl. Spec. | Plate No. |   |   |   |   |       |
|---------------|---|---------|-------------|-----------|---|---|---|---|-------|
|               |   |         |             | 1         | 2 | 3 | 4 | 5 | 6     |
| EG7.81.2785   | CABLE, ASSEMBLY, N551, FROM DIMMER PANEL STARBOARD TO U/V DIMMER SWITCH, GROUP<br>Consisting of:— | 1       | —           |           |   |   |   |   |       |
| UNINYVIN 20   | CABLE   | QR      | —           |           |   |   |   |   |       |
| EEAS146/20    | SLEEVE, 3/4" long   | QR      | —           |           |   |   |   |   |       |
| EEAS146/20    | SLEEVE, 1 1/2" long   | QR      | —           |           |   |   |   |   |       |
| HC490         | TAG, quick release  | 1       | —           |           |   |   |   |   |       |
| R EA3.81.2307 | CLIP, spring (Pre Mod 5466)   | 7       | BS407       |           |   |   |   |   | 12/7  |
| R EA3.81.2307 | CLIP, spring (Mod 5466)   | 9       | —           |           |   |   |   |   | 54/20 |
| R AS3180/4B   | CLIP, "P" (Mod 5466)  | 2       | —           |           |   |   |   |   | 54/21 |
| 703-1-00266   | COVER, terminal block   | 2       | —           |           |   |   |   |   | 13/39 |
| R 703-1-00264 | COVER, terminal block (Pre Mod 5466)  | 1       | —           |           |   |   |   |   | 12/39 |
| R 41851-825-0 | COVER (Mod 5466)  | 1       | —           |           |   |   |   |   | 54/22 |
| R —           | CORD, bungee, 11" long x 1/4" dia (Mod 5466) (Service supply)                                     | 1       | —           |           |   |   |   |   | 54/23 |
| R AGS796/B    | EYE BOLT (Mod 5466)   | 2       | —           |           |   |   |   |   | 54/24 |
| R 5CX/4330146 | FILTER, amber (Pre Mod 5466)  | 1       | —           |           |   |   |   |   | 13/26 |
| R 5CX/4859    | FILTER, red (Pre Mod 5466)  | 1       | —           |           |   |   |   |   | 13/23 |
| R SP93/E6     | GROMMET (Mod 5466)  | 1       | —           |           |   |   |   |   | 54/25 |
| 5CX/4330001   | LAMP, inspection, Mk.2  | 1       | —           |           |   |   |   |   | 15/14 |
| 5CX/4330002   | LAMP, cockpit, Mk.1A  | 2       | —           |           |   |   |   |   | 13/19 |
| 5CX/4330059   | LAMP, cockpit, U/V type 'B' No.1  | 2       | —           |           |   |   |   |   | 12/22 |
| 5CX/4330060   | LAMP, cockpit, U/V type 'B' No.2  | 2       | —           |           |   |   |   |   | 12/24 |
| EL35566       | LAMP, cockpit, floodlight, type 'C' No.2  | 13      | —           |           |   |   |   |   | 12/1  |
| 5CX/1143869   | LAMP, instrument miniature pillar   | 1       | —           |           |   |   |   |   | 12/34 |
| R 5CX/1982602 | LAMP, chartboard, type 'H' (Pre Mod 5466)   | 2       | —           |           |   |   |   |   |       |
| R 5CX/4330206 | LAMP, cockpit, floodlight, yellow (Pre Mod 5466)  | 6       | —           |           |   |   |   |   | 13/17 |
| R 5CX/4330206 | LAMP, type "D" (Mod 5466)   | 9       | —           |           |   |   |   |   | 54/26 |
| R 80-10-1200  | LAMP, wander (Mod 5466)   | 2       | —           |           |   |   |   |   | 54/27 |
| 5L/9951283    | LAMP, filament, 24V, 2.8W, red  | 10      | —           |           |   |   |   |   | 12/3  |
| 5L/9952261    | LAMP, filament, 12V, 7W, U/V  | 4       | —           |           |   |   |   |   | 12/23 |
| R 5L/9959211  | LAMP, filament, 24V, 2.4W, clear (Pre Mod 5466)   | 1       | —           |           |   |   |   |   | 12/6  |
| 5L/9959178    | LAMP, filament, 28V, .04 amp  | 1       | —           |           |   |   |   |   | 12/35 |
| 5L/9953271    | LAMP, filament, 28V, 7W   | 3       | —           |           |   |   |   |   | 13/20 |
| R 5L/9953273  | LAMP, filament, 28V, 18W (Pre Mod 5466)   | 2       | —           |           |   |   |   |   | 13/24 |
| or            |   |         |             |           |   |   |   |   |       |
| R 5L/9953278  | LAMP, filament, 28V, 18W (S.B.C.)   | 2       | —           |           |   |   |   |   |       |
| R 5L/9951271  | LAMP, filament, 28V, 3.5W, clear (Pre Mod 5466)   | 6       | —           |           |   |   |   |   | 13/18 |
| R 5L/9951271  | LAMP, filament, 28V, 3.5W, clear (Mod 5466)   | 13      | —           |           |   |   |   |   | 54/28 |
| 5L/9951283    | LAMP, filament, 28V, 3.5W, red  | 2       | —           |           |   |   |   |   | 12/4  |
| R 5CX/4350464 | LEAD, extension   | 1       | —           |           |   |   |   |   | 15/15 |
| R —           | LEAD, EXTENSION STOWAGE, INSTALLATION (EG7.81.2387) (Pre Mod 5466)<br>Spares for:—                | —       | —           |           |   |   |   |   | 15/22 |
| 5CX/4350464   | LEAD, extension (in sachet)<br>Attaching parts for 5CX/4350464:—                                  | 1       | —           |           |   |   |   |   | 15/23 |
| AGS2001/A/1   | Nut, stiff, 6 BA  | 3       | —           |           |   |   |   |   | 15/19 |
| A32/A14       | Screw, 6 BA round head  | 3       | —           |           |   |   |   |   | 15/21 |
| SP15/A        | Washer, 6 BA plain  | 3       | —           |           |   |   |   |   | 15/20 |
| R —           | LEAD, EXTENSION STOWAGE, INSTALLATION (EG7.81.5337) (Mod 5466)<br>Spares for:—                    | —       | —           |           |   |   |   |   | 54/29 |
| R 5C/370      | LEAD, extension (in sachet)<br>Attaching parts:—  | 1       | —           |           |   |   |   |   | 54/30 |
| R AGS2001/B/1 | Nut, stiff, 4 BA  | 3       | —           |           |   |   |   |   | 54/31 |
| R AS1248/1/8  | Screw, 4 BA, mushroom head  | 3       | —           |           |   |   |   |   | 54/32 |
| R SP15/B      | Washer  | 3       | —           |           |   |   |   |   | 54/33 |

## ELECTRICAL

## ELECTRICAL EQUIPMENT IN FRONT FUSELAGE

| Part Number      | Description<br>1 2 3 4 5 6   | No.<br>Off | Matl. Spec. | Plate No. |
|------------------|--|------------|-------------|-----------|
|                  |  |            |             |           |
| -                | . . . ALTERNATIVES TO STARBOARD EQUIPMENT BAY<br>LIGHT (EG7.81.3583) | -          | -           | 13/22     |
| EG7.81.3581      | . . . BRACKET, LAMP (Mod 4865)<br>Attaching parts for EG7.81.3581:-  | 1          | -           |           |
| A25/1 B          | . . . Bolt, 4 BA hex. head   | 4          | -           |           |
| AGS2001/B1       | . . . Nut, stiff, 2 BA   | 4          | -           |           |
| SP13/B           | . . . Washer, 4 BA   | 4          | -           |           |
|                  | Spares for:-   |            |             |           |
| 5L/9953271       | . . . LAMP, filament, 28V, 7W  | 1          | -           | 13/33     |
| 5CX/4330002      | . . . LAMP, cockpit, Mk.1A<br>Attaching parts for 5CX/4330002:-      | 1          | -           | 13/34     |
| AS1246/1B        | . . . Bolt, 4 BA round head  | 3          | -           | 13/35     |
| AGS2001/B1       | . . . Nut, 4 BA plain  | 3          | -           | 13/36     |
| SP13/B           | . . . Washer, 4 BA spring  | 3          | -           | 13/37     |
| R 33531-102-0    | . . . LINK, 2-way (Mod 5466)   | 1          | -           | 54/34     |
| Z50211           | . . . LINK, commoning, 3-way   | 2          | -           | 13/38     |
| Z50210           | . . . LINK, commoning  | 2          | -           | 12/32     |
| Z50215           | . . . LINK, commoning, 7-way   | 1          | -           | 13/29     |
| R AGS2001/B1     | . . . NUT (Mod 5466)   | 29         | -           | 54/35     |
| EG7.80.1037      | . . . PANEL, DIMMER SWITCH, ASSEMBLY<br>Spares for:-                 | 1          | -           | 12/13     |
| SP93/A10         | . . . GROMMET  | 2          | -           | 12/19     |
| 5CW/4405514      | . . . SWITCH, dimmer, type 'R'<br>Attaching parts for 5CW/4405514:-  | 1          | -           | 12/25     |
| A32/A20          | . . . Screw, 6 BA round head   | 3          | -           | 12/26     |
| SP15/A           | . . . Washer, 6 BA plain   | 3          | -           | 12/27     |
| 5CW/4405515      | . . . SWITCH, dimmer, type 'R'<br>Attaching parts for 5CW/4405515:-  | 1          | -           | 12/14     |
| A32/A20          | . . . Screw, 6 BA round head   | 3          | -           | 12/20     |
| SP15/A           | . . . Washer, 6 BA plain   | 3          | -           | 12/21     |
| 5CW/4405516      | . . . SWITCH, dimmer, type 'R'<br>Attaching parts for 5CW/4405516:-  | 1          | -           | 12/17     |
| A32/A20          | . . . Screw, 6 BA round head   | 3          | -           | 12/15     |
| SP15/A           | . . . Washer, 6 BA plain   | 3          | -           | 12/16     |
| 5CW/4405520      | . . . SWITCH, dimmer, type 'R'<br>Attaching parts for 5CW/4405520:-  | 1          | -           | 12/30     |
| A32/A20          | . . . Screw, 6 BA round head   | 3          | -           | 12/28     |
| SP15/A           | . . . Washer, 6 BA plain   | 3          | -           | 12/29     |
| AS1248/1C        | . . . Bolt, 2 BA mushroom head<br>Attaching parts for EG7.80.1037:-  | 4          | -           | 12/18     |
| R 36765-502-0    | . . . PILLAR, fixing (Mod 5466)                                      | 2          | -           | 54/36     |
| Z28426           | . . . PILLAR, fixing   | 4          | -           | 12/38     |
| EG7.81.2763      | . . . RESISTOR AND TERMINAL BLOCK, ASSEMBLY<br>Spares for:-          | 1          | -           |           |
| WARD BROOKE      |  |            |             |           |
| WB/UN/1146/S/3/W | . . . BLOCK, terminal, 3-way   | 1          | -           | 13/8      |
| EG7.81.2765      | . . . BRACKET, mounting  | 1          | L72         | 13/7      |

## ELECTRICAL

## ELECTRICAL EQUIPMENT IN FRONT FUSELAGE

| Part Number                              | Description  | No. Off | Mati. Spec. | Plate No. |   |
|--|--|---------|-------------|-----------|---|
|  |  |         |             |           | 1 |
| EG7.81.2767                              | . . . COVER, resistor<br>Attaching parts for EG7.81.2767:—                               | 1       | Glasscloth  | 13/9      |   |
| AGS2002/B/1                              | . . . Nut, stiff, 4 BA   | 1       | —           | 13/2      |   |
| A32/B10                                  | . . . Screw, 4 BA round head   | 1       | —           | 13/4      |   |
| EEAS28/7CR                               | . . . Washer   | 1       | L72         | 13/5      |   |
| WARD BROOKE<br>WB/UN/1110/B3<br>OXLEY    | . . . COVER  | 1       | —           | 13/13     |   |
| 093/SO/20PR<br>WARD BROOKE<br>WB/1114/28 | . . . INSULATOR, barb  | 2       | —           | 13/1      |   |
| RWV4-J                                   | . . . PILLAR, fixing   | 2       | —           | 13/10     |   |
| HC294                                    | . . . RESISTOR, 180 ohms, 3 watt   | 1       | —           | 13/3      |   |
|  | . . . TAG, ring tongue   | 2       | —           | 13/12     |   |
|  | . . . WIRE, equipment, type 'B', 19/0076<br>Attaching parts for EG7.81.2763:—            | QR      | —           | 13/11     |   |
| A25/½B                                   | . . Bolt, 4 BA hex. head   | 3       | —           | 13/6      |   |
| R ECO10652                               | . . RESISTOR (Mod 5466)  | 1       | —           | 54/37     |   |
| R A31/B16                                | . . SCREW (Mod 5466)   | 11      | —           | 54/38     |   |
| 5CX/4330087                              | . . SCREEN   | 1       | —           | 12/12     |   |
| EL31772                                  | . . SCREEN   | 12      | —           | 12/2      |   |
| EG7.80.1713                              | . . SHROUD, assembly<br>Attaching parts for EG7.80.1713:—                                | 1       | —           | 12/37     |   |
| AS4566/1B                                | . . Bolt, 4 BA mushroom head   | 2       | —           | 12/36     |   |
| R M.A.M.                                 | . . SLEEVE, 3mm i/d x 3/8" long  | QR      | Grade CXH   | 12/10     |   |
| R EG7.81.5509                            | . . STRAP (Mod 5466)   | 1       | —           | 54/39     |   |
| R 5CW/4405519                            | . . SWITCH, dimmer, type 'R' (Pre Mod 5466)<br>Attaching parts for 5CW/4405519:—         | 2       | —           | 13/14     |   |
|  | . . Screw, 6 BA cheese head  | 6       | —           | 13/15     |   |
|  | . . Washer, 6 BA plain   | 6       | —           | 13/16     |   |
| R HC294/D                                | . . TAG, RT (Mod 5466)   | 2       | —           |           |   |
| R No 4 BLACK                             | . . TAPE, "VELCRO" (Mod 5466)  | QR      | —           | 54/41     |   |
| R DR 25-1-2                              | . . TUBING, heatshrink (Mod 5466)  | QR      | —           |           |   |
| R 07-0196                                | . . TRANSFORMER (Mod 5466)   | 1       | —           | 54/43     |   |
|  | . . TUBE, distance   | 2       | L62         | 12/8      |   |
| AS2809/3/020                             | . . TUBE, distance   | 8       | L62         | 12/11     |   |
| R AS2809/3/040                           | . . WASHER (Mod 5466)  | 25      | —           | 54/44     |   |
| R —                                      | . . LOOMS, CABLE, ASSEMBLY (EG7.81.33) (Pre Mod 5466)                                    | —       | —           |           |   |
| R —                                      | . . LOOMS, CABLE, ASSEMBLY (EG7.81.5263) (Mod 5466)<br>Spares for:—                      | —       | —           |           |   |
| EA2.81.298/2                             | . . CABLE, ASSEMBLY, N55, FROM TIME SWITCH TO<br>STARTER PANEL, GROUP<br>Consisting of:— | 1       | —           |           |   |
|  | . . . CABLE  | QR      | —           |           |   |
| UNIPREN 6                                | . . . CABLE  | QR      | —           |           |   |
| UNIPREN 12                               | . . . FERRULE, size 'B'  | 2       | —           |           |   |
| 508/2/11405/300                          | . . . RING, clamp  | 2       | —           |           |   |
| Z18501/B                                 | . . . SLEEVE, marker, PVC  | 2       | —           |           |   |
| EEAS118/3/N55                            | . . . SLEEVE, 3/4" long, yellow  | QR      | —           |           |   |
|  | . . . SLEEVE, inner  | 8       | —           |           |   |
| Z49428                                   | . . . SOCKET, assembly, size 'B'   | 2       | —           |           |   |
| 2CZ111234                                |  |         |             |           |   |
| or                                       |  |         |             |           |   |
| 508/1/03947                              | . . . SOCKET, assembly, size 'B'   | 2       | —           |           |   |
| 5F/9130912                               | . . . TUBE, PVC 15.8 mm x 1.0 mm wall  | QR      | —           |           |   |

AP101B-0417-3A

## ELECTRICAL

## ELECTRICAL EQUIPMENT IN FRONT FUSELAGE

| Part Number     | Description   | No. Off | Matl. Spec. | Plate No. |
|-----------------|---|---------|-------------|-----------|
|                 |   |         |             |           |
| EA2,81.300/2    | . . . CABLE, ASSEMBLY, N56, FROM TIME SWITCH TO STARTER PANEL, GROUP<br>Consisting of:-   | 1       | -           |           |
| R UNIPREN 6     | . . . CABLE   | QR      | -           |           |
| R UNINYVIN 16   | . . . CABLE   | QR      | -           |           |
| 508/2/11405/300 | . . . FERRULE, size "B"   | 2       | -           |           |
| Z18501/B        | . . . RING, clamp   | 2       | -           |           |
| EEAS118/3/N56   | . . . SLEEVE, identification, P.V.C.  | 1       | -           |           |
| R SL2/3         | . . . SLEEVE, 3/4" long, yellow   | QR      | -           |           |
| Z49428          | . . . SLEEVE, inner   | 8       | -           |           |
| 2CZ111234 or    | . . . SOCKET, assembly, size "B"  | 2       | -           |           |
| 508/1/03947     | . . . SOCKET, assembly, size "B"  | 2       | -           |           |
| R 5F9130912     | . . . TUBE, P.V.C. 15.8 m/m x 1.0 m/m   | QR      | -           |           |
| EA2,81.325/2    | . . . CABLE, ASSEMBLY, N70, FROM ELECTRICAL CONTROL PANEL TO AILERON TRIM ACTUATOR AND POSITION TRANSMITTER, GROUP<br>Consisting of:- | 1       | -           |           |
| R TRIPREN 12    | . . . CABLE   | QR      | -           |           |
| R UNINYVIN 20   | . . . CABLE   | QR      | -           |           |
| R 33H9130065    | . . . CEMENT, bostick   | QR      | -           |           |
| R 32A1058027    | . . . CORD, waxed braided   | QR      | -           |           |
| 508/2/07881/009 | . . . FERRULE, cut  | 1       | -           |           |
| R EEAS146A      | . . . SLEEVE, 3/4" long   | QR      | -           |           |
| R EEAS146D      | . . . SLEEVE, 1" long   | QR      | -           |           |
| Z49428          | . . . SLEEVE, inner   | 5       | -           |           |
| 2CZ111234 or    | . . . SOCKET, assembly, size "B"  | 1       | -           |           |
| 508/1/03947     | . . . SOCKET, assembly, size "B"  | 1       | -           |           |
| R 32B1250522    | . . . THREAD, waxed line No. 18   | QR      | -           |           |
| EA3,81.669/1    | . . . CABLE, ASSEMBLY, F44, FROM D.C. DISTRIBUTION BOX TO UNDERCARRIAGE TERMINAL BLOCK, GROUP<br>Consisting of:-                      | 1       | -           |           |
| R UNINYVIN 20   | . . . CABLE, uninyvin 20  | QR      | -           |           |
| Z22431          | . . . GROMMET, No. 3  | 2       | -           |           |
| EEAS146/A       | . . . SLEEVE, 3/4" long, yellow   | QR      | -           |           |
| EEAS146/A1      | . . . SLEEVE, 3/4" long, yellow   | QR      | -           |           |
| EEAS146/D1      | . . . SLEEVE, 1" long, yellow   | QR      | -           |           |
| R HC490         | . . . TAG, quick release  | 4       | -           |           |

## ELECTRICAL

## ELECTRICAL EQUIPMENT IN FRONT FUSELAGE

| Part Number                | Description  | No.<br>Off | Mati. Spec. | Plate No. |
|----------------------------|--|------------|-------------|-----------|
|                            |  |            |             |           |
| EA3.81.670/1               | . . . CABLE, ASSEMBLY, F45, FROM D.C.<br>DISTRIBUTION BOX TO PYROMETER<br>VOLTAGE COMPENSATOR, GROUP<br>Consisting of:—    | 1          | —           |           |
| R DUPREN 6                 | . . . . CABLE  | QR         | —           |           |
| R DUPREN 12                | . . . . CABLE  | QR         | —           |           |
| Z22432                     | . . . . GROMMET, No. 4   | 1          | —           |           |
| R EEAS146A                 | . . . . SLEEVE, 3/4" long  | QR         | —           |           |
| R EEAS146D                 | . . . . SLEEVE, 1" long  | QR         | —           |           |
| R HC490                    | . . . . TAG, quick release   | 2          | —           |           |
| Z19925                     | . . . . TAG, quick release   | 2          | —           |           |
| Z19980                     | . . . . THIMBLE, quick release   | 2          | —           |           |
| EA1.81.675/1               | . . . CABLE, ASSEMBLY, 4C4, FROM UNDERCARRIAGE<br>TERMINAL BLOCK TO NOSE WHEEL<br>DOOR SWITCH, GROUP<br>Consisting of:—    | 1          | —           |           |
| R UNINYVIN 20              | . . . . CABLE  | QR         | —           |           |
| EEAS146/6                  | . . . . SLEEVE, 3/4" long, yellow  | QR         | —           |           |
| EEAS146/16                 | . . . . SLEEVE, 3/4" long, yellow  | QR         | —           |           |
| EA1.684/1                  | . . . CABLE, ASSEMBLY, N74, FROM WINDSCREEN<br>HEATER THERMOSTATIC CONTROL<br>BOX TO COUPE BREAK, GROUP<br>Consisting of:— | 1          | —           |           |
| R DUPREN 6                 | . . . . CABLE  | QR         | —           |           |
| R 32A1058027               | . . . . CORD, waxed braided  | QR         | —           |           |
| SIS1657                    | . . . . PLUG, 2 pin, type "R"  | 1          | —           |           |
| EEAS146/6                  | . . . . SLEEVE, 3/4" long, yellow  | QR         | —           |           |
| SIS1658                    | . . . . SOCKET, 2 pin, type "R"  | 1          | —           |           |
| HC294                      | . . . . TAG, ring, tongue  | 2          | —           |           |
| HC296                      | . . . . TAG, ring, tongue  | 2          | —           |           |
| EA1.81.689/1               | . . . CABLE, ASSEMBLY, N74A, FROM HEATED<br>WINDSCREEN TO COUPE BREAK,<br>GROUP<br>Consisting of:—                         | 1          | —           |           |
| R DUPREN 6                 | . . . . CABLE  | QR         | —           |           |
| SIS1657                    | . . . . PLUG, 2 pin, type "R"  | 1          | —           |           |
| HELLERMANN<br>No. 1 x 3/4" | . . . . SLEEVE   | 4          | —           |           |
| HELLERMANN<br>No. 2 x 3/4" | . . . . SLEEVE   | 2          | —           |           |
| HELLERMANN<br>No. 3 x 1"   | . . . . SOCKET, 2 pin, type "R"  | 1          | —           |           |

## ELECTRICAL

## ELECTRICAL EQUIPMENT IN FRONT FUSELAGE

| Part Number     | Description   | No. Off | Mtl. Spec. | Plate No. |
|-----------------|---|---------|------------|-----------|
|                 |   |         |            |           |
| R EA.3.81.841/1 | . . . CABLE, ASSEMBLY, 14J, FROM J.B.14 TO CABIN PRESSURE "WESTLAND" CONTROL VALVE, GROUP (Pre Mod 5466)<br>Consisting of:— | 1       | —          |           |
| DUPREN 6        | . . . CABLE   | QR      | —          |           |
| Z22430          | . . . GROMMET, No.2   | 1       | —          |           |
|                 | . . . SLEEVE, 3/4" long   | QR      | —          |           |
|                 | . . . SLEEVE, 1" long   | QR      | —          |           |
| 5X/9450396      | . . . TAG, quick release  | 2       | —          |           |
| R EG7.81.5243   | . . . CABLE, ASSEMBLY, 14J (Mod 5466)   | 1       | —          |           |
| EG7.81.847      | . . . CABLE, ASSEMBLY, F417, FROM DISTRIBUTION BOX No.2 TO TACAN TRANSMITTER RECEIVER, GROUP<br>Consisting of:—             | 1       | —          |           |
| UNINYVIN 16     | . . . CABLE   | QR      | —          |           |
| UNINYVIN 20     | . . . CABLE   | QR      | —          |           |
| 5X/9491421      | . . . GROMMET, No.3   | 1       | —          |           |
| 2CZ139487       | . . . INSERT, socket, 12/16   | 2       | —          |           |
| 508/1/05602/002 | . . . INSERT, socket, size 16/20  | 5       | —          |           |
| 508/2/04367     | . . . PLUG, filler, size 16   | 1       | —          |           |
| 508/2/05851/005 | . . . RING, anti-chafe  | 1       | —          |           |
| 2Z139623        | . . . SLEEVE, packing, size 16/20   | 4       | —          |           |
| 2Z139626        | . . . SLEEVE, packing, size 12/16   | 2       | —          |           |
| EEAS146/16      | . . . SLEEVE, 3/4" long, pink   | QR      | —          |           |
| EEAS146/6       | . . . SLEEVE, 1" long, pink   | QR      | —          |           |
| UK-AN           |   |         |            |           |
| 9000-18-9S      | . . . SOCKET, free, 7-way   | 1       | —          |           |
| NY18067         | . . . STRAP, nylon  | QR      | —          |           |
| NY3255          | . . . STUD, nylon   | QR      | —          |           |
| HC490           | . . . TAG, quick release  | 4       | —          |           |
| HC500           | . . . TAG, quick release  | 2       | —          |           |
| EG7.81.897      | . . . CABLE, ASSEMBLY, F409, FROM DISTRIBUTION BOX No.2 TO TACAN TEST SOCKET, GROUP<br>Consisting of:—                      | 1       | —          |           |
| 5E/1116724      | . . . CABLE, miniature electric — 3C  | QR      | —          |           |
| 508/1/03442/001 | . . . CAP, protective   | 1       | —          |           |
| 508/1/07776/001 | . . . CLAMP, cable  | 1       | —          |           |
| 508/1/07776/003 | . . . CLAMP, cable  | 1       | —          |           |
| 508/2/07705/300 | . . . GASKET, outlet  | 1       | —          |           |

## ELECTRICAL

## ELECTRICAL EQUIPMENT IN FRONT FUSELAGE

| Part Number     | 1 2 3 4 5 6 | Description   | No. | Matl. Spec. | Plate No. |
|-----------------|-------------|---|-----|-------------|-----------|
|                 |             |   | Off |             |           |
| 508/2/07719/300 | . . .       | GASKET, union   | 1   | -           |           |
| 508/2/07719/200 | . . .       | GASKET, union   | 1   | -           |           |
| 508/2/07519/001 | . . .       | NUT, outlet (Pre SAS4745)   | 1   | -           |           |
| 508/2/07531/001 | . . .       | NUT, outlet (SAS4745)   | 1   | -           |           |
| 508/2/07639/001 | . . .       | OUTLET, straight  | 1   | -           |           |
| 508/2/07752/007 | . . .       | RING, thrust  | 2   | -           |           |
| EEAS146/20      | . . .       | SLEEVE, 3/4" long, pink   | QR  | -           |           |
| EEAS146/6       | . . .       | SLEEVE, 1" long, pink   | QR  | -           |           |
| 508/1/07041/220 | . . .       | SOCKET, fixed, 3-way  | 1   | -           |           |
| HC490           | . . .       | TAG, quick release  | 3   | -           |           |
| EG7.81.3451     | . . .       | CABLE, ASSEMBLY, N418, FROM ELECTRICAL CONTROL PANEL TO I.F.F. SWITCH PANEL, GROUP (Mod.4493)<br>Consisting of: | 1   | -           |           |
| UNINYVIN 16     | . . .       | CABLE,  | QR  | -           |           |
| 2Z139495        | . . .       | PIN, plug   | 1   | -           |           |
| UK-AN           |             |   |     |             |           |
| 9000-16-10PX    | . . .       | PLUG, free  | 1   | -           |           |
| 508/2/04368     | . . .       | PLUG, filter  | 1   | -           |           |
| 508/2/05851/004 | . . .       | RING, anti-chafe  | 1   | -           |           |
| 2Z139626        | . . .       | SLEEVE, packing   | 2   | -           |           |
| EEAS146/16      | . . .       | SLEEVE, 1/4" long   | QR  | -           |           |
| EEAS146/12      | . . .       | SLEEVE, 3/4" long   | QR  | -           |           |
| EEAS146/16      | . . .       | SLEEVE, 3/4" long   | QR  | -           |           |
| HC490           | . . .       | TAG, quick release  | 2   | -           |           |
| EG7.81.907      | . . .       | CABLE, ASSEMBLY, N420, FROM ELECTRICAL CONTROL PANEL TO STARBOARD FIXED PANEL, GROUP<br>Consisting of:          | 1   | -           |           |
| UNINYVIN 16     | . . .       | CABLE,  | QR  | -           |           |
| 2Z139495        | . . .       | PIN, plug   | 3   | -           |           |
| UK-AN           |             |   |     |             |           |
| 9000-16-1P      | . . .       | PLUG, free  | 1   | -           |           |
| 508/2/04368     | . . .       | PLUG, filler  | 1   | -           |           |
| 508/2/05851/004 | . . .       | RING, anti-chafe  | 1   | -           |           |
| 2Z139626        | . . .       | SLEEVE, packing   | 2   | -           |           |
| EEAS146/16x1"   | . . .       | SLEEVE  | QR  | -           |           |
| EEAS146/16x3/4" | . . .       | SLEEVE  | QR  | -           |           |
| EEAS146/16x1/2" | . . .       | SLEEVE  | QR  | -           |           |
| EEAS146/16x1/4" | . . .       | SLEEVE  | QR  | -           |           |
| HC500           | . . .       | TAG, quick release  | 2   | -           |           |

AP101B-0417-3A

## ELECTRICAL

## ELECTRICAL EQUIPMENT IN FRONT FUSELAGE

| Part Number     | 1 2 3 4 5 6 | Description  | No. Off | Matl. Spec. | Plate No. |
|-----------------|-------------|--|---------|-------------|-----------|
|                 |             |  |         |             |           |
| EG7.81.909      |             | . . . CABLE, ASSEMBLY, N421, FROM ELECTRICAL CONTROL PANEL TO INTERCONNECTING BOX TYPE M15, GROUP<br>Consisting of:— | 1       | —           |           |
| R UINYVIN 20    |             | . . . CABLE  | QR      | —           |           |
| CANNON          |             | . . . ENDBELL, straight  | 1       | —           |           |
| K06-16-3/8"     |             |  |         |             |           |
| 508/2/05604/002 |             | . . . PIN, plug  | 7       | —           |           |
| UK-AN           |             | . . . PLUG, free, 7-way  | 1       | —           |           |
| 9000-16-1P      |             |  |         |             |           |
| 508/2/05851/004 |             | . . . RING, anti-chafe   | 1       | —           |           |
| 22139623        |             | . . . SLEEVE, packing  | 7       | —           |           |
| EEAS146/20      |             | . . . SLEEVE, 1/4" long  | QR      | —           |           |
| EEAS146/6       |             | . . . SLEEVE, 3/4" long  | QR      | —           |           |
| CANNON          |             | . . . SOCKET, free, 10-way   | 1       | —           |           |
| K03-16-10SN     |             |  |         |             |           |
| NY18067         |             | . . . STRAP, nylon   | QR      | —           |           |
| NY3255          |             | . . . STUD, nylon  | QR      | —           |           |
| EG7.81.911      |             | . . . CABLE, ASSEMBLY, N422, FROM ELECTRICAL CONTROL PANEL TO V.O.R./I.L.S. TEST SOCKET GROUP<br>Consisting of:—     | 1       | —           |           |
| R UNINYVIN 16   |             | . . . CABLE  | QR      | —           |           |
| 508/1/03442/001 |             | . . . CAP, protective  | 1       | —           |           |
| 508/1/07777/001 |             | . . . CLAMP, cable   | 1       | —           |           |
| 508/2/07705/300 |             | . . . GASKET, outlet   | 1       | —           |           |
| 508/2/07721/300 |             | . . . GASKET, union  | 1       | —           |           |
| 508/2/07531/001 |             | . . . NUT, outlet  | 1       | —           |           |
| 508/2/07640/001 |             | . . . OUTLET, straight   | 1       | —           |           |
| 22139495        |             | . . . PIN, plug, size 12/16  | 3       | —           |           |
| UK-AN           |             | . . . PLUG, free, 3-way  | 1       | —           |           |
| 9000-16-10P(Y)  |             |  |         |             |           |
| 508/2/04368     |             | . . . PLUG, filler   | 1       | —           |           |
| 508/2/05851/004 |             | . . . RING, anti-chafe   | 1       | —           |           |
| 508/2/07710/300 |             | . . . RING, sealing  | 1       | —           |           |

## ELECTRICAL

## ELECTRICAL EQUIPMENT IN FRONT FUSELAGE

| Part Number             | Description  | No. Off | Mtl. Spec. | Plate No. |
|-------------------------|--|---------|------------|-----------|
|                         |  |         |            |           |
| 508/2/07754/007         | . . . RING, thrust   | 1       | —          |           |
| 2Z139623                | . . . SLEEVE, packing  | 2       | —          |           |
| 2Z139626                | . . . SLEEVE, packing  | 2       | —          |           |
| EEAS146/12              | . . . SLEEVE, 1/2" long, pink  | QR      | —          |           |
| EEAS146/16              | . . . SLEEVE, 3/4" long, pink  | QR      | —          |           |
| EEAS146/2               | . . . SLEEVE, 1" long, pink  | QR      | —          |           |
| 508/1/07040/220         | . . . SOCKET, fixed  | 1       | —          |           |
| EG7.81.913              | . . . CABLE, ASSEMBLY, N423, FROM ELECTRICAL CONTROL PANEL TO RADIO COMPASS INDICATOR BEARING JUNCTION BOX, GROUP<br>Consisting of:— | 1       | —          |           |
| R UNINYVIN 16           | . . . CABLE  | QR      | —          |           |
| AGS1658/3               | . . . NUT, gland   | 1       | —          |           |
| 2Z139495                | . . . PIN, plug  | 3       | —          |           |
| UK-AN                   | . . . PLUG, free, 3-way  | 1       | —          |           |
| 9000-16-10PY            |  |         |            |           |
| 508/2/04368             | . . . PLUG, filler   | 1       | —          |           |
| 508/2/05851/004         | . . . RING, anti-chafe   | 1       | —          |           |
| 2Z139626                | . . . SLEEVE, packing  | 3       | —          |           |
| AGS1651/3               | . . . SLEEVE, plain cable, type 1  | 1       | —          |           |
| EEAS146/6               | . . . SLEEVE, 1" long  | QR      | —          |           |
| EEAS146/16              | . . . SLEEVE, 1" long  | QR      | —          |           |
| EG7.81.915              | . . . CABLE, ASSEMBLY, N424, FROM ELECTRICAL CONTROL PANEL TO V.O.R./I.L.S. INTERCONNECTION BOX, GROUP<br>Consisting of:—            | 1       | —          |           |
| R UNINYVIN 20           | . . . CABLE  | QR      | —          |           |
| R UNINYVINMET-SHEATH 20 | . . . CABLE  | QR      | —          |           |
| A.M.P. 323794           | . . . CONNECTOR, in line   | 1       | —          |           |
| PR1201Q                 | . . . COMPOUND, potting  | QR      | —          |           |
| CANNON                  | . . . ENDBELL, straight  | 1       | —          |           |
| K06-19-1/2"             |  |         |            |           |
| 2Z109643                | . . . NUT, outlet  | 1       | —          |           |
| 508/2/09360/002         | . . . PIN, plug  | 2       | —          |           |
| 508/2/09364/002         | . . . PIN, plug  | 2       | —          |           |
| 2Z111100                | . . . PIN, plug  | 3       | —          |           |
| 508/2/03547/002         | . . . PIN, plug  | 7       | —          |           |

## ELECTRICAL EQUIPMENT IN FRONT FUSELAGE

| Part Number              | Description  | No. Off | Matt. Spec. | Plate No. |
|--------------------------|--|---------|-------------|-----------|
|                          |  |         |             |           |
| 508/2/05604/002<br>UK-AN | . . . PIN, plug  | 9       | -           |           |
| 9000-32-6P               | . . . PLUG, free   | 1       | -           |           |
| 508/2/04367              | . . . PLUG, filler   | 7       | -           |           |
| 508/2/04368              | . . . PLUG, filler   | 2       | -           |           |
| 508/2/06923              | . . . PLUG, filler   | 2       | -           |           |
| 508/2/06924              | . . . PLUG, filler   | 3       | -           |           |
| EEAS311/11               | . . . RING, bonding  | 1       | -           |           |
| 2Z139623                 | . . . SLEEVE, packing  | 16      | -           |           |
| 2Z139628                 | . . . SLEEVE, packing  | 2       | -           |           |
| EEAS146/20               | . . . SLEEVE, 1/4" long  | QR      | -           |           |
| EEAS146/2                | . . . SLEEVE, 1" long  | QR      | -           |           |
| EEAS146/2                | . . . SLEEVE, 1 1/2" long  | QR      | -           |           |
| CANNON                   |  |         |             |           |
| K03-19-20SN              | . . . SOCKET, free   | 1       | -           |           |
| NY18067                  | . . . STRAP, nylon   | QR      | -           |           |
| NY3255                   | . . . STUD, nylon  | QR      | -           |           |
| EG7.81.917               | . . CABLE, ASSEMBLY, N425, FROM ELECTRICAL<br>CONTROL PANEL TO STARBOARD COAMING<br>PANEL, GROUP (Pre SAS4745)                         | 1       | -           |           |
| EG7.81.3675              | . . CABLE, ASSEMBLY N425 (SAS4745)<br>Consisting of:-  | 1       | -           |           |
| UNINYVIN 20              | . . . CABLE,   | QR      | -           |           |
| TC4003 CRN               | . . . CAP, termination, red (Mod.5253)   | 4       | -           |           |
| 508/2/03547/002          | . . . PIN, plug  | 2       | -           |           |
| 508/2/05604/002<br>UK-AN | . . . PIN, plug, size 16/20  | 8       | -           |           |
| 9000-18-1P               | . . . PLUG, free, 10-way   | 1       | -           |           |
| 508/2/04367              | . . . PLUG, filler   | QR      | -           |           |
| 508/2/05851/005          | . . . RING, anti-chafe   | 1       | -           |           |
| 2Z139623                 | . . . SLEEVE, packing  | 8       | -           |           |
| EEAS146/16               | . . . SLEEVE, 3/4" long (Mod.5253)   | 3       | -           |           |
| EEAS146/20               | . . . SLEEVE, 3/4" long (Mod.5253)   | 6       | -           |           |
| EEAS146/6                | . . . SLEEVE, 1" long  | QR      | -           |           |
| EEAS146/6                | . . . SLEEVE, 3/4" long  | QR      | -           |           |
| EEAS146/20               | . . . SLEEVE, 1/4" long  | QR      | -           |           |
| NY18067                  | . . . STRAP, nylon   | QR      | -           |           |
| NY3255                   | . . . STUD, nylon  | QR      | -           |           |
| HC295                    | . . . TAG, ring tongue (Mod.5253)  | 6       | -           |           |
| or                       |  |         |             |           |
| HC294                    | . . . TAG, ring tongue (Mod.5253)  | 6       | -           |           |
| EG7.81.919               | . . CABLE, ASSEMBLY, N426, FROM ELECTRICAL<br>CONTROL PANEL TO V.O.R./I.L.S.<br>MARKER INTERCONNECTOR BOX,<br>GROUP<br>Consisting of:- | 1       | -           |           |
| UNINYVIN 16              | . . . CABLE  | QR      | -           |           |

## ELECTRICAL

## ELECTRICAL EQUIPMENT IN FRONT FUSELAGE

| Part Number     | Description  | No.<br>Off | Matl. Spec. | Plate No. |
|-----------------|--|------------|-------------|-----------|
|                 |  |            |             |           |
| CANNON          |  |            |             |           |
| K06-16-3/8"     | . . . ENDBELL, straight  | 1          | -           |           |
| 22139495        | . . . PIN, plug  | 3          | -           |           |
| UK-AN           |  |            |             |           |
| 9000-16-10P(Y)  | . . . PLUG, free, 3-way  | 1          | -           |           |
| 508/2/04368)    | . . . PLUG, filler   | 1          | -           |           |
| 508/2/05851/004 | . . . RING, anti-chafe   | 1          | -           |           |
| 22139623        | . . . SLEEVE, packing  | 2          | -           |           |
| 22139626        | . . . SLEEVE, packing  | 2          | -           |           |
| EEAS146/16      | . . . SLEEVE, 1/4" long  | QR         | -           |           |
| EEAS146/6       | . . . SLEEVE, 1" long  | QR         | -           |           |
| CANNON          |  |            |             |           |
| K03-16-10SN     | . . . SOCKET, free, 10-way   | 1          | -           |           |
| EG7.81.921      | . . . CABLE, ASSEMBLY, N427, FROM ELECTRICAL<br>CONTROL PANEL TO U.H.F. EQUIPMENT<br>PANEL, GROUP<br>Consisting of:                            | 1          | -           |           |
| UNINYVIN 8      | . . . CABLE,   | QR         | -           |           |
| Z70018          | . . . LUG, crimping  | 2          | -           |           |
| 22111100        | . . . PIN, plug  | 4          | -           |           |
| UK-AN           |  |            |             |           |
| 9000-22-22P     | . . . PLUG, free, 4-way  | 1          | -           |           |
| 508/2/06924     | . . . PLUG, filler   | QR         | -           |           |
| 508/2/05851/007 | . . . RING, anti-chafe   | 1          | -           |           |
| EEAS146/8       | . . . SLEEVE, 3/8" long  | QR         | -           |           |
| EEAS146/2       | . . . SLEEVE, 1" long  | QR         | -           |           |
| EEAS146/8       | . . . SLEEVE, 1 1/2" long  | QR         | -           |           |
| EG7.81.923      | . . . CABLE, ASSEMBLY, N428, FROM ELECTRICAL<br>CONTROL PANEL TO U.A.60 JUNCTION<br>BOX, GROUP (Pre Mod 5466) (Pre Mod 5523)<br>Consisting of: | 1          | -           |           |
| UNINYVIN 20     | . . . CABLE,   | QR         | -           |           |
| 508/2/03547/002 | . . . PIN, plug  | 5          | -           |           |
| 508/2/05604/002 | . . . PIN, plug  | 2          | -           |           |
| CANNON          |  |            |             |           |
| MC11E-8-3SX     | . . . PLUG, free, 3-way  | 1          | -           |           |
| UK-AN           |  |            |             |           |
| 9000-16-1P/Z    | . . . PLUG, free, 7-way  | 1          | -           |           |
| 508/2/04367     | . . . PLUG, filler   | 5          | -           |           |
| 508/2/05851/004 | . . . RING, anti-chafe   | 1          | -           |           |
| 22139623        | . . . SLEEVE, packing  | 2          | -           |           |
| G198-1-1-9-13   | . . . SLEEVE   | QR         | -           |           |
| G198-1-1-11-25  | . . . SLEEVE   | QR         | -           |           |
| EG7.81.5469     | . . . CABLE ASSEMBLY, N428 (Mod.5466)  | 1          | -           |           |
| EG7.81.4071     | . . . CABLE ASSEMBLY, N428 (Mod.5523)  | 1          | -           |           |
| EG7.81.5359     | . . . CABLE ASSEMBLY, F520 (Mod.5466)  | 1          | -           |           |
| EG7.81.5329     | . . . CABLE ASSEMBLY, N561 (Mod.5466)  | 1          | -           |           |
| EG7.81.5357     | . . . CABLE ASSEMBLY, N572 (Mod.5466)  | 1          | -           |           |
| EG7.81.5351     | . . . CABLE ASSEMBLY, N573 (Mod.5466)  | 1          | -           |           |
| EG7.81.5353     | . . . CABLE ASSEMBLY, N574 (Mod.5466)  | 1          | -           |           |

## ELECTRICAL

## ELECTRICAL EQUIPMENT IN FRONT FUSELAGE

| Part Number     | Description  | No.<br>Off | Matl. Spec. | Plate No. |
|-----------------|--|------------|-------------|-----------|
|                 |  |            |             |           |
| EG7.81.985      | . . . CABLE, ASSEMBLY, N502, FROM FLYING<br>PANEL TO STARTER PANEL,<br>GROUP<br>Consisting of:—                    | 1          | —           |           |
| UNINYVIN 20     | . . . . CABLE  | QR         | —           |           |
| EEAS146/2       | . . . . SLEEVE, 3/4" long, pink  | QR         | —           |           |
| EEAS146/12      | . . . . SLEEVE, 1" long, pink  | QR         | —           |           |
| HC294           | . . . . TAG, ring tongue   | 3          | —           |           |
| HC490           | . . . . TAG, quick release   | 3          | —           |           |
| EG7.81.1025     | . . . CABLE, ASSEMBLY, 16Q, FROM NAVIGATORS<br>COAMING PANEL TO JUNCTION<br>BOX, 16 GROUP<br>Consisting of:—       | 1          | —           |           |
| UNINYVIN 20     | . . . . CABLE  | QR         | —           |           |
| Z23671          | . . . . GROMMET, tension No. 1   | 1          | —           |           |
| EEAS146/20      | . . . . SLEEVE, 3/4" long  | QR         | —           |           |
| HC490           | . . . . TAG, quick release   | 2          | —           |           |
| EG7.81.1027     | . . . CABLE, ASSEMBLY, 16U, FROM JUNCTION<br>BOX 16 TO UNDERCARRIAGE<br>INSTRUMENT PANEL, GROUP<br>Consisting of:— | 1          | —           |           |
| UNINYVIN 20     | . . . . CABLE  | QR         | —           |           |
| UNINYVIN 16     | . . . . CABLE  | QR         | —           |           |
| 508/1/07778/003 | . . . . CLAMP, cable   | 1          | —           |           |
| 508/1/07780/001 | . . . . CLAMP, cable   | 1          | —           |           |
| 508/2/07707/300 | . . . . GASKET, outlet   | 1          | —           |           |
| 508/2/07724/300 | . . . . GASKET, union  | 1          | —           |           |
| 508/2/07720/300 | . . . . GASKET, union  | 1          | —           |           |
| EEAS276/C1      | . . . . OUTLET, adaptor  | 1          | S94         |           |
| 508/2/07645/001 | . . . . OUTLET, straight   | 1          | —           |           |
| 508/2/07709/300 | . . . . RING, sealing  | 1          | —           |           |
| 508/2/07713/300 | . . . . RING, sealing  | 1          | —           |           |
| 508/2/07756/007 | . . . . RING, thrust   | 1          | —           |           |

## ELECTRICAL

## ELECTRICAL EQUIPMENT IN FRONT FUSELAGE

| Part Number     | Description  | No.<br>Off | Mati. Spec. | Plate No. |
|-----------------|--|------------|-------------|-----------|
|                 |  |            |             |           |
| 508/2/07758/007 | . . . RING, thrust   | 1          | -           |           |
| Z49397          | . . . SLEEVE, inner  | 2          | -           |           |
| Z49428          | . . . SLEEVE, inner  | 12         | -           |           |
| EEAS146/16      | . . . SLEEVE, 3/4" long  | QR         | -           |           |
| EEAS146/2       | . . . SLEEVE, 1" long, pink  | QR         | -           |           |
| 508/1/03954     | . . . SOCKET, standard   | 1          | -           |           |
| 508/1/07016/220 | . . . SOCKET, free, Mk. 7 (T4)   | 1          | -           |           |
| NY18067         | . . . STRAP, nylon   | QR         | -           |           |
| NY3255          | . . . STUD, nylon  | QR         | -           |           |
| EG7.81.1029     | . . CABLE, ASSEMBLY, N415, FROM ELECTRICAL<br>CONTROL PANEL TO CONSOLE<br>BREAK GROUP<br>Consisting of:- | 1          | -           |           |
| R UNINYYVIN 16  | . . . CABLE  | QR         | -           |           |
| R UNINYYVIN 20  | . . . CABLE  | QR         | -           |           |
| 2CZ138846       | . . . INSERT, socket, size 12  | 2          | -           |           |
| 2CZ138935       | . . . INSERT, socket, size 8   | 3          | -           |           |
| 2CZ138939       | . . . INSERT, socket, size 4   | 2          | -           |           |
| 508/1/04585/002 | . . . INSERT, socket, size 16  | 9          | -           |           |
| 508/1/05602/002 | . . . INSERT, socket, size 16/20   | 7          | -           |           |
| 508/2/09360/002 | . . . PIN, plug, size 12   | 2          | -           |           |
| 508/2/09364/002 | . . . PIN, plug, size 4  | 2          | -           |           |
| 2Z111100        | . . . PIN, plug, size 8  | 3          | -           |           |
| 508/2/03547/002 | . . . PIN, plug, size 16   | 9          | -           |           |
| 508/2/05604/002 | . . . PIN, plug, size 16/20  | 7          | -           |           |
| UK-AN           | . . . PLUG, free, 23-way   | 1          | -           |           |
| 9000-32-6P/X    |  |            |             |           |
| 508/2/04367     | . . . PLUG, filler, size 16  | QR         | -           |           |
| 508/2/04368     | . . . PLUG, filler, size 12  | QR         | -           |           |
| 508/2/06923     | . . . PLUG, filler, size 4   | QR         | -           |           |
| 508/2/06924     | . . . PLUG, filler, size 8   | QR         | -           |           |
| 508/2/05851/011 | . . . RING, anti-chafe   | 1          | -           |           |
| 508/2/05851/012 | . . . RING, anti-chafe   | 1          | -           |           |
| 2Z139623        | . . . SLEEVE, packing  | 14         | -           |           |
| EEAS146/16      | . . . SLEEVE, 1/4" long  | QR         | -           |           |
| EEAS146/2       | . . . SLEEVE, 1" long  | QR         | -           |           |

## ELECTRICAL

## ELECTRICAL EQUIPMENT IN FRONT FUSELAGE

| Part Number     | Description  | No.<br>Off | Matl. Spec. | Plate No. |
|-----------------|--|------------|-------------|-----------|
|                 |  |            |             |           |
| UK-AN           | . . . . . SOCKET, fixed, 23-way  | 1          | -           |           |
| 8000-32-6S      |  |            |             |           |
| NY18067         | . . . . . STRAP, nylon   | QR         | -           |           |
| NY3255          | . . . . . STUD, nylon  | QR         | -           |           |
| 2Z139603        | . . . . . WASHER, panel packing  | 1          | -           |           |
| EG7.81.1031     | . . . . . CABLE, ASSEMBLY, N416, FROM TAKE-OFF<br>PANEL TO SUPPRESSOR TYPE B4,<br>GROUP<br>Consisting of:-             | 1          | -           |           |
| UNINYVIN 20     | . . . . . CABLE, YELLOW  | QR         | -           |           |
| 508/1/0777/001  | . . . . . CLAMP, cable   | 1          | -           |           |
| 508/2/07721/300 | . . . . . GASKET, union  | 1          | -           |           |
| 508/2/07754/007 | . . . . . RING, thrust   | 1          | -           |           |
| EEAS146/12      | . . . . . SLEEVE, 1/2" long, pink  | QR         | -           |           |
| EEAS146/20      | . . . . . SLEEVE, 3/4" long, pink  | QR         | -           |           |
| HC490           | . . . . . TAG, quick release   | 2          | -           |           |
| EG7.81.1033     | . . . . . CABLE, ASSEMBLY, N405, FROM ELECTRICAL<br>CONTROL PANEL TO ENGINE<br>STARTER PANEL, GROUP<br>Consisting of:- | 1          | -           |           |
| UNINYVIN 16     | . . . . . CABLE  | QR         | -           |           |
| UNINYVIN 20     | . . . . . CABLE  | QR         | -           |           |
| 508/1/07778/003 | . . . . . CLAMP, cable   | 1          | -           |           |
| 508/2/07720/300 | . . . . . GASKET, union  | 1          | -           |           |
| EEAS276/C1      | . . . . . OUTLET, adaptor  | 1          | S94         |           |
| 508/2/09364/002 | . . . . . PIN, plug, size 4  | 2          | -           |           |
| 2Z111100        | . . . . . PIN, plug, size 8  | 3          | -           |           |
| 2Z139495        | . . . . . PIN, plug, size 12/16  | 2          | -           |           |
| 508/2/03547/002 | . . . . . PIN, plug, size 16   | 9          | -           |           |
| 508/2/05604/002 | . . . . . PIN, plug, size 16/20  | 7          | -           |           |
| UK-AN           | . . . . . PLUG, free, 23-way   | 1          | -           |           |
| 9000-32-6P/W    |  |            |             |           |
| 508/2/06923     | . . . . . PLUG, filler   | QR         | -           |           |
| 508/2/06924     | . . . . . PLUG, filler   | QR         | -           |           |
| 508/2/05851/011 | . . . . . RING, anti-chafe   | 1          | -           |           |
| 508/2/07709/300 | . . . . . RING, sealing  | 1          | -           |           |
| 508/2/07756/007 | . . . . . RING, thrust   | 1          | -           |           |
| Z49428          | . . . . . SLEEVE, inner  | 9          | -           |           |
| HT75-1-2        | . . . . . SLEEVE, Helsyn, 150 white 1/2" long  | 2          | -           |           |
| 2Z139623        | . . . . . SLEEVE, packing  | 17         | -           |           |
| 2Z139626        | . . . . . SLEEVE, packing  | 2          | -           |           |

R

## ELECTRICAL

## ELECTRICAL EQUIPMENT IN FRONT FUSELAGE

| Part Number               | Description   | No.<br>Off | Matl. Spec. | Plate No. |   |
|---------------------------|---|------------|-------------|-----------|---|
|                           |   |            |             |           | 1 |
| EEAS146/20                | . . . SLEEVE, 3/4" long   | QR         | -           |           |   |
| EEAS146/00                | . . . SLEEVE, 1" long   | QR         | -           |           |   |
| EEAS146/2                 | . . . SLEEVE, 1-1/4" long   | QR         | -           |           |   |
| EEAS146/00                | . . . SLEEVE, 1-1/2" long   | QR         | -           |           |   |
| 508/1/03954               | . . . SOCKET, standard  | 1          | -           |           |   |
| NY18067                   | . . . STRAP, nylon  | QR         | -           |           |   |
| NY3255                    | . . . STUD, nylon   | QR         | -           |           |   |
| R EG7.81.1035             | . . CABLE, ASSEMBLY, N406, FROM 400 CYCLES<br>FUSE BOX TO REPEATER J.B.,<br>G.P.I., GROUP (Pre Mod 5466)<br>Consisting of:- | 1          | -           |           |   |
| UNINYVIN 20               | . . . CABLE   | QR         | -           |           |   |
| 508/1/07778/003           | . . . CLAMP, cable  | 1          | -           |           |   |
| 508/2/07720/200           | . . . GASKET, outlet  | 1          | -           |           |   |
| AGS1658/1                 | . . . NUT, gland  | 1          | -           |           |   |
| 508/2/07709/300           | . . . RING, sealing   | 1          | -           |           |   |
| 508/2/07756/007           | . . . RING, thrust  | 1          | -           |           |   |
| Z23241/3                  | . . . SLEEVE, plain cable, type 1   | 1          | -           |           |   |
| EEAS146/16                | . . . SLEEVE, 3/4" long   | QR         | -           |           |   |
| HC490                     | . . . TAG, quick release  | 2          | -           |           |   |
| EG7.81.1037               | . . CABLE, ASSEMBLY, N400, FROM ELECTRICAL<br>CONTROL PANEL TO H.F.<br>DISTRIBUTION BOX, GROUP<br>Consisting of:-           | 1          | -           |           |   |
| UNINYVIN 8                | . . . CABLE   | QR         | -           |           |   |
| UNINYVIN 12               | . . . CABLE   | QR         | -           |           |   |
| UNINYVIN 16               | . . . CABLE   | QR         | -           |           |   |
| UNINYVIN 20               | . . . CABLE   | QR         | -           |           |   |
| UNINYVINMET-<br>SHEATH 16 | . . . CABLE   | QR         | -           |           |   |
| EEAS559/6                 | . . . CLIP, bonding, assembly   | 1          | -           |           |   |
| A.M.P. 323794             | . . . CONNECTOR, parallel   | 1          | -           |           |   |
| 2Z138020                  | . . . NUT, outlet   | 1          | -           |           |   |
| 2Z111033                  | . . . PIN, plug   | 6          | -           |           |   |
| 2Z111100                  | . . . PIN, plug   | 6          | -           |           |   |
| 2Z139495                  | . . . PIN, plug   | 6          | -           |           |   |

AP101B-0417-3A

## ELECTRICAL

## ELECTRICAL EQUIPMENT IN FRONT FUSELAGE

| Part Number     | Description   | No. Off | Matl. Spec. | Plate No. |
|-----------------|---|---------|-------------|-----------|
|                 |   |         |             |           |
| UK-AN           | . . . PLUG, free, 9-way   | 2       | -           |           |
| 9000-24-11P     | . . . PLUG, filler  | 4       | -           |           |
| 508/2/06924     | . . . RING, anti-chafe  | 1       | -           |           |
| 508/2/05851/008 | . . . RING, bonding   | 1       | -           |           |
| EEAS311/8       | . . . SLEEVE, packing   | 6       | -           |           |
| 2Z139626        | . . . SLEEVE, packing   | 6       | -           |           |
| 2Z139628        | . . . SLEEVE, 1/4" long   | QR      | -           |           |
| EEAS146/16      | . . . SLEEVE, 3/8" long   | QR      | -           |           |
| EEAS146/8       | . . . SLEEVE, 1/2" long   | QR      | -           |           |
| EEAS146/2       | . . . SLEEVE, 1-1/4" long   | QR      | -           |           |
| EEAS146/2       | . . . STRAP, nylon  | QR      | -           |           |
| NY18067         | . . . STUD, nylon   | QR      | -           |           |
| NY3255          | . . . CABLE, ASSEMBLY, F414, FROM No. 2<br>DISTRIBUTION BOX TO TRANSFORMER<br>(EQUIPT. BAY), GROUP<br>Consisting of:- | 1       | -           |           |
| EG7.81.1045     |   |         |             |           |
| R UNINVIN 20    | . . . CABLE   | QR      | -           |           |
| 508/1/07776/003 | . . . CLAMP, cable  | 1       | -           |           |
| 508/2/07719/200 | . . . GASKET, union   | 1       | -           |           |
| 508/2/07708/200 | . . . RING, sealing   | 1       | -           |           |
| 508/2/07752/007 | . . . RING, thrust  | 1       | -           |           |
| EEAS146/20      | . . . SLEEVE, 3/4" long, pink   | QR      | -           |           |
| EEAS146/12      | . . . SLEEVE, 1" long, pink   | QR      | -           |           |
| R NY18007A      | . . . STRAP, nylon  | QR      | -           |           |
| NY3255          | . . . STUD, nylon   | QR      | -           |           |
| HC294           | . . . TAG, ring tongue  | 4       | -           |           |
| HC490           | . . . TAG, quick release  | 2       | -           |           |
| R EG7.81.1047   | . . . CABLE, ASSEMBLY, F408, FROM No. 2<br>DISTRIBUTION BOX TO U.H.F.<br>AERIAL c/o SWITCH, GROUP<br>Consisting of:-  | 1       | -           |           |
| R UNINVIN 20    | . . . CABLE   | QR      | -           |           |
| R Z22430        | . . . GROMMET, No. 2  | 1       | -           |           |
| EEAS146/20      | . . . SLEEVE, 3/4" long, pink   | QR      | -           |           |
| NY18067         | . . . STRAP, nylon  | QR      | -           |           |
| NY3255          | . . . STUD, nylon   | QR      | -           |           |
| HC490           | . . . TAG, quick release  | 4       | -           |           |

## ELECTRICAL

## ELECTRICAL EQUIPMENT IN FRONT FUSELAGE

| Part Number     | Description   | No. Off | Mtl. Spec. | Plate No. |
|-----------------|---|---------|------------|-----------|
|                 |   |         |            |           |
| EG7.81.1221     | . . . CABLE, ASSEMBLY, N76, FROM PILOT'S CONSOLE (FWD DIAPHRAGM) TO PILOT'S CONSOLE (REMOVABLE PANEL) PILOT'S CONSOLE AND ENGINE STARTER PANEL, GROUP<br>Consisting of: - | 1       | -          |           |
| R UNINYVIN 20   | . . . . CABLE   | QR      | -          |           |
| 508/1/07778/003 | . . . . CLAMP, cable  | 1       | -          |           |
| 508/1/07779/001 | . . . . CLAMP, cable  | 1       | -          |           |
| 508/2/07706/300 | . . . . GASKET, outlet  | 1       | -          |           |
| 508/2/07722/300 | . . . . GASKET, union   | 1       | -          |           |
| 508/2/07720/300 | . . . . GASKET, union   | 1       | -          |           |
| EEAS276/B       | . . . . OUTLET, adaptor   | 1       | S94        |           |
| 508/2/07652/001 | . . . . OUTER, angle  | 1       | -          |           |
| 508/2/07709/300 | . . . . RING, sealing   | 2       | -          |           |
| 508/2/07757/007 | . . . . RING, thrust  | 1       | -          |           |
| 508/2/07756/007 | . . . . RING, thrust  | 1       | -          |           |
| EEAS146/20      | . . . . SLEEVE, 3/4" long, pink   | QR      | -          |           |
| EEAS146/6       | . . . . SLEEVE, 1" long, pink   | QR      | -          |           |
| EEAS146/12      | . . . . SLEEVE, 1" long, pink   | QR      | -          |           |
| NY18067         | . . . . STRAP, nylon  | QR      | -          |           |
| NY3255          | . . . . STUD, nylon   | QR      | -          |           |
| HC294           | . . . . TAG, ring tongue  | 8       | -          |           |
| EG7.81.1225     | . . . CABLE, ASSEMBLY, N507, FROM PORT PANEL TO SWITCH PANEL (TAKE-OFF), GROUP<br>Consisting of: -  | 1       | -          |           |
| R UNINYVIN 20   | . . . . CABLE   | QR      | -          |           |
| 508/2/05604/002 | . . . . PIN, plug, size 16/20   | 7       | -          |           |
| UK-AN           | . . . . PLUG, free, 7-way   | 1       | -          |           |
| 9000-16-1P      |   |         |            |           |
| 508/2/04367     | . . . . PLUG, filler  | 5       | -          |           |
| 508/2/05851/004 | . . . . RING, anti-chafe  | 1       | -          |           |
| 2Z139623        | . . . . SLEEVE, packing   | 2       | -          |           |
| EEAS146/20      | . . . . SLEEVE, 3/4" long, pink   | QR      | -          |           |
| EEAS146/12      | . . . . SLEEVE, 1" long, pink   | QR      | -          |           |
| HC490           | . . . . TAG, quick release  | 2       | -          |           |

## ELECTRICAL

## ELECTRICAL EQUIPMENT IN FRONT FUSELAGE

| Part Number           | Description  | No. Off | Mati. Spec. | Plate No. |
|-----------------------|--|---------|-------------|-----------|
|                       |  |         |             |           |
| EG7.81.1271           | .. . CABLE, ASSEMBLY, N512, FROM U.H.F. INTERCONNECTOR BOX TO U.H.F. EQUIPMENT PANEL, GROUP<br>Consisting of:—       | 1       | —           |           |
| UNINYVIN 12           | .. . CABLE   | QR      | —           |           |
| 508/1/07780/001       | .. . CLAMP, cable  | 1       | —           |           |
| 508/2/07707/300       | .. . GASKET, outlet  | 1       | —           |           |
| 508/2/07724/300       | .. . GASKET, union   | 1       | —           |           |
| 508/2/07645/001       | .. . OUTLET, straight  | 1       | —           |           |
| 508/2/07713/300       | .. . RING, sealing   | 1       | —           |           |
| 508/2/07758/007       | .. . RING, thrust  | 1       | —           |           |
| EEAS146/12            | .. . SLEEVE, 3/4" long, pink   | QR      | —           |           |
| EEAS146/6             | .. . SLEEVE, 1" long, pink   | QR      | —           |           |
| HC4210                | .. . TAG, ring tongue  | 2       | —           |           |
| EG7.81.1273           | .. . CABLE, ASSEMBLY, F513, FROM CONTROL PANEL TYPE 12 TO INVERTER TYPE 100A, GROUP<br>Consisting of:—               | 2       | —           |           |
| UNINYVINMET 12        | .. . CABLE   | QR      | —           |           |
| UNINYVINMET-SHEATH 16 | .. . CABLE   | QR      | —           |           |
| EEAS294/3             | .. . CLAMP, cable  | 1       | S94         |           |
| EEAS294/4             | .. . CLAMP, cable  | 1       | S94         |           |
| EEAS277/B             | .. . FERRULE, angle  | 1       | —           |           |
| 2Z139098/B            | .. . GASKET, ferrule   | 2       | —           |           |
| EEAS276/B             | .. . OUTLET, adapter   | 1       | S94         |           |
| 508/2/07709/300       | .. . RING, sealing   | 2       | —           |           |
| 508/2/07756/007       | .. . RING, thrust  | 1       | —           |           |
| 508/2/07757/007       | .. . RING, thrust  | 1       | —           |           |
| Z49397                | .. . SLEEVE, inner   | 6       | —           |           |
| EEAS146/6             | .. . SLEEVE, 3/4" long, pink   | QR      | —           |           |
| EEAS146/00            | .. . SLEEVE, 1" long, pink   | QR      | —           |           |
| EEAS146/00            | .. . SLEEVE, 1-1/2" long, pink   | QR      | —           |           |
| 508/1/03995           | .. . SOCKET, standard  | 2       | —           |           |
| EG7.81.1275           | .. . CABLE, ASSEMBLY, 14A1, FROM 400 CYCLES FUSE BOX TO SUPPRESSOR TYPE 'P', GROUP (Pre Mod 5466)<br>Consisting of:— | 1       | —           |           |
| UNINYVINMET 14        | .. . CABLE   | QR      | —           |           |

R

## ELECTRICAL

## ELECTRICAL EQUIPMENT IN FRONT FUSELAGE

| Part Number     | Description  | No.<br>Off | Matl. Spec. | Plate No. |
|-----------------|--|------------|-------------|-----------|
|                 |  |            |             |           |
| AGS1657/0       | . . . COLLET   | 1          | -           |           |
| AGS1658/0       | . . . NUT, gland   | 1          | -           |           |
| EG7.81.2397     | . . . NUT, union (Make from Ref. 10H/0970128)  | 1          | -           |           |
| AGS1686/4       | . . . SLEEVE, inner, type 2  | 2          | -           |           |
| AGS1687/4       | . . . SLEEVE, outer, type 2  | 2          | -           |           |
| EEAS146/12      | . . . SLEEVE, 3/4" long  | QR         | -           |           |
| HC510           | . . . TAG, quick release   | 1          | -           |           |
| EG7.81.5249     | . . . CABLE, ASSEMBLY, 14A1 (Mod 5466)   | 1          | -           |           |
| EG7.81.1277     | . . . CABLE, ASSEMBLY, E14, FROM 400 CYCLES<br>FUSE BOX TO STRUCTURE EARTH<br>POINT 14, GROUP<br>Consisting of:- | 1          | -           |           |
| UNINYVIN 12     | . . . CABLE  | QR         | -           |           |
| Z22432          | . . . GROMMET, tension, No.4   | 1          | -           |           |
| EEAS146/2       | . . . SLEEVE, 3/4" long  | QR         | -           |           |
| EEAS146/12      | . . . SLEEVE, 3/4" long  | QR         | -           |           |
| HC312           | . . . TAG, ring tongue   | 4          | -           |           |
| HC510           | . . . TAG, quick release   | 4          | -           |           |
| EG7.81.1279     | . . . CABLE, ASSEMBLY, N18, FROM 400 CYCLES<br>FUSE BOX TO PRESSURE<br>BULKHEAD, GROUP<br>Consisting of:-        | 1          | -           |           |
| UNINYVIN 20     | . . . CABLE  | QR         | -           |           |
| 508/1/07776/001 | . . . CLAMP, cable   | 2          | -           |           |
| 508/2/07705/300 | . . . GASKET, outlet   | 1          | -           |           |
| 508/2/07719/300 | . . . GASKET, union  | 2          | -           |           |
| AGS1658/1       | . . . NUT, gland   | 1          | -           |           |
| 508/2/07648/001 | . . . OUTLET, angle  | 1          | -           |           |
| 508/1/07023/220 | . . . PLUG, free, MK.7 (T4)  | 1          | -           |           |
| 508/2/07708/300 | . . . RING, sealing  | 2          | -           |           |
| 508/2/07752/007 | . . . RING, thrust   | 2          | -           |           |
| AGS1652/2       | . . . SLEEVE, plain cable, type 1  | 1          | -           |           |
| EEAS146/12      | . . . SLEEVE, 3/4" long  | QR         | -           |           |
| EEAS146/20      | . . . SLEEVE, 3/4" long  | QR         | -           |           |
| HC490           | . . . TAG, quick release   | 2          | -           |           |

## ELECTRICAL

## ELECTRICAL EQUIPMENT IN FRONT FUSELAGE

| Part Number     | Description   | No. Off | Matl. Spec. | Plate No. |
|-----------------|---|---------|-------------|-----------|
|                 |   |         |             |           |
| EG7.81.1281     | . . . CABLE, ASSEMBLY, N29, FROM ELECTRICAL CONTROL PANEL TO FORWARD PRESSURE BULKHEAD, GROUP (Pre SAS4745)   | 1       | -           |           |
| R EG7.81.3669   | . . . CABLE, ASSEMBLY, N29 (SAS4745) (Pre Mod 5466)<br>Consisting of:   | 1       | -           |           |
| UNINYVIN 10     | . . . CABLE,  | QR      | -           |           |
| UNINYVIN 12     | . . . CABLE,  | QR      | -           |           |
| UNINYVIN 16     | . . . CABLE,  | QR      | -           |           |
| UNINYVIN 20     | . . . CABLE,  | QR      | -           |           |
| 508/1/07780/003 | . . . CLAMP, cable  | 2       | -           |           |
| EEAS277/D1      | . . . FERRULE, angle  | 1       | -           |           |
| 508/2/07724/300 | . . . GASKET, union   | 2       | -           |           |
| EEAS276/D       | . . . OUTLET, adaptor   | 1       | S94         |           |
| 508/2/07713/300 | . . . RING, sealing   | 2       | -           |           |
| 508/2/07758/007 | . . . RING, thrust  | 2       | -           |           |
| Z49397          | . . . SLEEVE, inner   | 2       | -           |           |
| Z49428          | . . . SLEEVE, inner   | 2       | -           |           |
| 2Z138590        | . . . SLEEVE, inner   | 1       | -           |           |
| EEAS146/6       | . . . SLEEVE, 3/4" long   | QR      | -           |           |
| EEAS146/12      | . . . SLEEVE, 3/4" long   | QR      | -           |           |
| EEAS146/16      | . . . SLEEVE, 3/4" long   | QR      | -           |           |
| EEAS146/00      | . . . SLEEVE, 1" long   | QR      | -           |           |
| EEAS146/2       | . . . SLEEVE, 1" long   | QR      | -           |           |
| EEAS146/00      | . . . SLEEVE, 1 1/2" long   | QR      | -           |           |
| 508/1/03958     | . . . SOCKET, standard, free, size 'D'  | 1       | -           |           |
| 508/1/03980     | . . . SOCKET, standard, free, size 'D'  | 1       | -           |           |
| NY18067         | . . . STRAP, nylon  | QR      | -           |           |
| NY3255          | . . . STUD, nylon   | QR      | -           |           |
| HC295           | . . . TAG, ring tongue  | 2       | -           |           |
| HC305           | . . . TAG, ring tongue  | 4       | -           |           |
| HC315           | . . . TAG, ring tongue  | 2       | -           |           |
| 12112           | . . . TAG, ring tongue  | 1       | -           |           |
| R EG7.81.5347   | . . . CABLE, ASSEMBLY, N29 (Mod 5466)   | 1       | -           |           |
| EG7.81.1283     | . . . CABLE, ASSEMBLY, N51, FROM ELECTRICAL CONTROL PANEL TO ENGINE INSTRUMENT PANEL, GROUP<br>Consisting of: | 1       | -           |           |
| UNINYVIN 12     | . . . CABLE,  | QR      | -           |           |
| 508/1/07778/003 | . . . CLAMP, cable  | 1       | -           |           |
| 508/1/07780/001 | . . . CLAMP, cable  | 1       | -           |           |
| 508/2/07707/300 | . . . GASKET, outlet  | 1       | -           |           |

## ELECTRICAL

## ELECTRICAL EQUIPMENT IN FRONT FUSELAGE

| Part Number     | 1 2 3 4 5 6 | Description   | No.<br>Off | Matl. Spec. | Plate No. |
|-----------------|-------------|---|------------|-------------|-----------|
|                 |             |   |            |             |           |
| 508/2/07724/300 | . . .       | GASKET, union   | 1          | -           |           |
| 508/2/07720/300 | . . .       | GASKET, union   | 1          | -           |           |
| EEAS276/C1      | . . .       | OUTLET, adaptor   | 1          | S94         |           |
| 508/2/07654/001 | . . .       | OUTLET, angle   | 1          | -           |           |
| 508/1/07033/220 | . . .       | PLUG, free, Mk.7 (T4)   | 1          | -           |           |
| 508/2/07713/300 | . . .       | RING, sealing   | 1          | -           |           |
| 508/2/07709/300 | . . .       | RING, sealing   | 1          | -           |           |
| 508/2/07758/007 | . . .       | RING, thrust  | 1          | -           |           |
| 508/2/07756/007 | . . .       | RING, thrust  | 1          | -           |           |
| EEAS146/12      | . . .       | SLEEVE, 3/4" long   | QR         | -           |           |
| EEAS146/2       | . . .       | SLEEVE, 1" long   | QR         | -           |           |
| 508/1/03955     | . . .       | SOCKET, standard, free, size 'C'  | 1          | -           |           |
| NY18007A        | . . .       | STRAP, nylon  | QR         | -           |           |
| NY3255          | . . .       | STUD, nylon   | QR         | -           |           |
| EG7.81.1285     | . . .       | CABLE, ASSEMBLY, N52, FROM ELECTRICAL<br>CONTROL PANEL TO ENGINE INSTRUMENT<br>PANEL, GROUP<br>Consisting of: | 1          | -           |           |
| R UNINYVIN 12   | . . .       | CABLE,  | QR         | -           |           |
| 508/1/07778/003 | . . .       | CLAMP, cable  | 1          | -           |           |
| 508/1/07780/001 | . . .       | CLAMP, cable  | 1          | -           |           |
| 508/2/07707/300 | . . .       | GASKET, outlet  | 1          | -           |           |
| 508/2/07724/300 | . . .       | GASKET, union   | 1          | -           |           |
| 508/2/07720/300 | . . .       | GASKET, union   | 1          | -           |           |
| EEAS276/C1      | . . .       | OUTLET, adaptor   | 1          | S94         |           |
| 508/2/07654/001 | . . .       | OUTLET, angle   | 1          | -           |           |
| 508/1/07033/220 | . . .       | PLUG, free, Mk.7 (T4)   | 1          | -           |           |
| 508/2/07713/300 | . . .       | RING, sealing   | 1          | -           |           |
| 508/2/07709/300 | . . .       | RING, sealing   | 1          | -           |           |
| 508/2/07758/007 | . . .       | RING, thrust  | 1          | -           |           |
| 508/2/07756/007 | . . .       | RING, thrust  | 1          | -           |           |
| EEAS146/12      | . . .       | SLEEVE, 3/4" long   | QR         | -           |           |
| EEAS146/2       | . . .       | SLEEVE, 1" long   | QR         | -           |           |
| 508/1/03955     | . . .       | SOCKET, standard, free, size 'C'  | 1          | -           |           |
| NY18007A        | . . .       | STRAP, nylon  | QR         | -           |           |
| NY3255          | . . .       | STUD, nylon   | QR         | -           |           |

## ELECTRICAL

## ELECTRICAL EQUIPMENT IN FRONT FUSELAGE

| Part Number     | Description  | No. Off | Matl. Spec. | Plate No. |
|-----------------|--|---------|-------------|-----------|
|                 |  |         |             |           |
| R EG7.81.1287   | . . . CABLE, ASSEMBLY, N61, FROM<br>ELECTRICAL CONTROL PANEL<br>TO 400 CYCLES FUSE BOX,<br>GROUP (Pre Mod 5466)<br>Consisting of:— | 1       | —           |           |
| 5E9100015       | . . . . CABLE, miniature electric, type 4C   | QR      | —           |           |
| 508/1/07776/003 | . . . . CLAMP, cable   | 2       | —           |           |
| 508/2/07719/300 | . . . . GASKET, union  | 2       | —           |           |
| EEAS276/Z       | . . . . OUTLET, adapter  | 1       | —           |           |
| 508/2/07746/009 | . . . . RING, compression  | 1       | —           |           |
| 508/2/07708/300 | . . . . RING, sealing  | 1       | —           |           |
| 508/2/07752/007 | . . . . RING, thrust   | 2       | —           |           |
| Z49428          | . . . . SLEEVE, inner  | QR      | —           |           |
| EEAS146/20      | . . . . SLEEVE, 3/4" long  | QR      | —           |           |
| EEAS146/12      | . . . . SLEEVE, 1" long  | QR      | —           |           |
| 508/1/03944     | . . . . SOCKET, standard, free   | 1       | —           |           |
| HC490           | . . . . TAG, quick release   | 4       | —           |           |
| R EG7.81.5253   | . . . CABLE, ASSEMBLY, N61 (Mod 5466)  | 1       | —           |           |
| R EG7.81.1289   | . . . CABLE, ASSEMBLY, N87, FROM G IV B<br>COMPASS AMPLIFIER TO 400<br>CYCLES FUSE BOX, GROUP (Pre Mod 5466)<br>Consisting of:—    | 1       | —           |           |
| 5E1116728       | . . . . CABLE, miniature electric, type 4C   | QR      | —           |           |
| 508/1/07776/001 | . . . . CLAMP, cable   | 2       | —           |           |
| 508/2/07705/300 | . . . . GASKET, outlet   | 1       | —           |           |
| 508/2/07719/300 | . . . . GASKET, union  | 2       | —           |           |
| 508/2/07648/001 | . . . . OUTLET, angle  | 1       | —           |           |
| 508/2/07746/009 | . . . . RING, compression  | 1       | —           |           |
| 508/2/07708/200 | . . . . RING, sealing  | 1       | —           |           |
| 508/2/07752/007 | . . . . RING, thrust   | 2       | —           |           |
| EEAS146/20      | . . . . SLEEVE, 3/4" long  | QR      | —           |           |
| EEAS146/2       | . . . . SLEEVE, 1" long  | QR      | —           |           |
| 508/1/07003/220 | . . . . SOCKET, free, Mk.7   | 1       | —           |           |
| HC490           | . . . . TAG, quick release   | 4       | —           |           |
| R EG7.81.5255   | . . . CABLE, ASSEMBLY, N87 (Mod 5466)  | 1       | —           |           |
| EG7.81.1291     | . . . CABLE, ASSEMBLY, N7X, FROM<br>ELECTRICAL CONTROL PANEL<br>TO FORWARD PRESSURE<br>BULKHEAD, GROUP<br>Consisting of:—          | 1       | —           |           |
| UNINYVIN 12     | . . . . CABLE  | QR      | —           |           |

## ELECTRICAL

## ELECTRICAL EQUIPMENT IN FRONT FUSELAGE

| Part Number     | Description   | No. Off | Mati. Spec. | Plate No. |
|-----------------|---|---------|-------------|-----------|
|                 |   |         |             |           |
| R UNINYVIN 16   | . . . . CABLE   | QR      | —           |           |
| R UNINYVIN 20   | . . . . CABLE, YELLOW   | QR      | —           |           |
| 508/1/07780/003 | . . . . CLAMP, cable  | 2       | —           |           |
| EEAS277/D1      | . . . . FERRULE, angle  | 1       | —           |           |
| EEAS276/D       | . . . . FERRULE, straight   | 1       | —           |           |
| 508/2/07724/300 | . . . . GASKET, union   | 2       | —           |           |
| 508/2/07713/300 | . . . . RING, sealing   | 2       | —           |           |
| 508/2/07758/007 | . . . . RING, thrust  | 2       | —           |           |
| Z49428          | . . . . SLEEVE, inner   | 30      | —           |           |
| EEAS146/12      | . . . . SLEEVE, 3/4" long   | QR      | —           |           |
| EEAS146/16      | . . . . SLEEVE, 3/4" long   | QR      | —           |           |
| EEAS146/00      | . . . . SLEEVE, 1" long   | QR      | —           |           |
| EEAS146/00      | . . . . SLEEVE, 1-1/2" long   | QR      | —           |           |
| 508/1/03961     | . . . . SOCKET, size 'D'  | 1       | —           |           |
| 508/1/03933     | . . . . SOCKET, size 'D'  | 1       | —           |           |
| NY18067         | . . . . STRAP, nylon  | QR      | —           |           |
| NY3255          | . . . . STUD, nylon   | QR      | —           |           |
| EG7.81.1293     | . . . CABLE, ASSEMBLY, N8X, FROM<br>ELECTRICAL CONTROL PANEL<br>TO FORWARD PRESSURE<br>BULKHEAD, GROUP<br>Consisting of:— | 1       | —           |           |
| R UNINYVIN 12   | . . . . CABLE   | QR      | —           |           |
| R UNINYVIN 16   | . . . . CABLE   | QR      | —           |           |
| R UNINYVIN 20   | . . . . CABLE   | QR      | —           |           |
| 508/1/07780/003 | . . . . CLAMP, cable  | 2       | —           |           |
| EEAS277/D1      | . . . . FERRULE, angle  | 1       | —           |           |
| 508/2/07724/300 | . . . . GASKET, union   | 2       | —           |           |
| EEAS276/D       | . . . . OUTLET, adaptor   | 1       | S94         |           |
| 508/2/07713/300 | . . . . RING, sealing   | 2       | —           |           |
| 508/2/07758/007 | . . . . RING, thrust  | 2       | —           |           |
| Z49428          | . . . . SLEEVE, inner   | 24      | —           |           |
| EEAS146/12      | . . . . SLEEVE, 3/4" long   | QR      | —           |           |
| EEAS146/16      | . . . . SLEEVE, 3/4" long   | QR      | —           |           |
| EEAS146/00      | . . . . SLEEVE, 1" long   | QR      | —           |           |
| EEAS146/00      | . . . . SLEEVE, 1-1/2" long   | QR      | —           |           |
| 508/1/03961     | . . . . SOCKET, size 'D'  | 1       | —           |           |
| 508/1/03933     | . . . . SOCKET, size 'D'  | 1       | —           |           |
| NY18067         | . . . . STRAP, nylon  | QR      | —           |           |
| NY3255          | . . . . STUD, nylon   | QR      | —           |           |

AP101B-0417-3A

## ELECTRICAL

## ELECTRICAL EQUIPMENT IN FRONT FUSELAGE

| Part Number     | Description  | No. Off | Matl. Spec. | Plate No. |
|-----------------|--|---------|-------------|-----------|
|                 |  |         |             |           |
| EG7.81.1295     | . . . CABLE, ASSEMBLY, N16A, FROM<br>ELECTRICAL CONTROL PANEL TO<br>JB16, GROUP<br>Consisting of:—   | 1       | —           |           |
| R UNINYVIN 16   | . . . CABLE  | QR      | —           |           |
| R UNINYVIN 20   | . . . CABLE  | QR      | —           |           |
| 508/1/07780/003 | . . . CLAMP, cable   | 2       | —           |           |
| EEAS277/D1      | . . . FERRULE, angle   | 1       | —           |           |
| 508/2/07724/300 | . . . GASKET, union  | 2       | —           |           |
| EEAS276/D       | . . . OUTLET, adaptor  | 1       | —           |           |
| 508/2/07713/300 | . . . RING, sealing  | 2       | —           |           |
| 508/2/07758/007 | . . . RING, thrust   | 2       | —           |           |
| Z49397          | . . . SLEEVE, inner  | 4       | —           |           |
| Z49428          | . . . SLEEVE, inner  | 42      | —           |           |
| EEAS146/16      | . . . SLEEVE, 3/4" long  | QR      | —           |           |
| EEAS146/00      | . . . SLEEVE, 1-1/2" long  | QR      | —           |           |
| 508/1/03961     | . . . SOCKET, standard, size 'D'   | 2       | —           |           |
| NY18007A        | . . . STRAP, nylon   | QR      | —           |           |
| NY3255          | . . . STUD, nylon  | QR      | —           |           |
| EG7.81.1297     | . . . CABLE, ASSEMBLY, N16B, FROM<br>ELECTRICAL CONTROL PANEL TO<br>J.B.16, GROUP<br>Consisting of:— | 1       | —           |           |
| R UNINYVIN 16   | . . . CABLE  | QR      | —           |           |
| R UNINYVIN 20   | . . . CABLE  | QR      | —           |           |
| 508/1/07780/003 | . . . CLAMP, cable   | 2       | —           |           |
| EEAS277/D1      | . . . FERRULE, angle   | 1       | —           |           |
| 508/2/07724/300 | . . . GASKET, union  | 2       | —           |           |
| EEAS276/D       | . . . OUTLET, adaptor  | 1       | —           |           |
| 508/2/07713/300 | . . . RING, sealing  | 2       | —           |           |
| 508/2/07758/007 | . . . RING, thrust   | 2       | —           |           |
| Z49397          | . . . SLEEVE, inner  | 2       | —           |           |
| Z49428          | . . . SLEEVE, inner  | 48      | —           |           |
| EEAS146/16      | . . . SLEEVE, 3/4" long  | QR      | —           |           |
| EEAS146/00      | . . . SLEEVE, 1-1/2" long  | QR      | —           |           |
| 508/1/03961     | . . . SOCKET, standard, size 'D'   | 2       | —           |           |
| NY18007A        | . . . STRAP, nylon   | QR      | —           |           |
| NY3255          | . . . STUD, nylon  | QR      | —           |           |

## ELECTRICAL

## ELECTRICAL EQUIPMENT IN FRONT FUSELAGE

| Part Number     | Description  | No. Off | Mati. Spec. | Plate No. |
|-----------------|--|---------|-------------|-----------|
|                 |  |         |             |           |
| EG7.81.1299     | . . . CABLE, ASSEMBLY, N16C, FROM<br>ELECTRICAL CONTROL PANEL TO<br>J.B.16, GROUP<br>Consisting of:-                     | 1       | -           |           |
| R UNINYVIN 16   | . . . . CABLE  | QR      | -           |           |
| R UNINYVIN 20   | . . . . CABLE  | QR      | -           |           |
| 508/1/07780/003 | . . . . CLAMP, cable   | 2       | -           |           |
| EEAS277/D1      | . . . . FERRULE, angle   | 1       | -           |           |
| 508/2/07724/300 | . . . . GASKET, union  | 2       | -           |           |
| EEAS276/D       | . . . . OUTLET, adaptor  | 1       | S94         |           |
| 508/2/07713/300 | . . . . RING, sealing  | 2       | -           |           |
| 508/2/07758/007 | . . . . RING, thrust   | 2       | -           |           |
| Z49428          | . . . . SLEEVE, inner  | 36      | -           |           |
| Z49397          | . . . . SLEEVE, inner  | 4       | -           |           |
| EEAS146/20      | . . . . SLEEVE, 3/4" long  | QR      | -           |           |
| EEAS146/00      | . . . . SLEEVE, 1-1/2" long  | QR      | -           |           |
| 508/1/03961     | . . . . SOCKET, standard, size 'D'   | 2       | -           |           |
| NY18007A        | . . . . STRAP, nylon   | QR      | -           |           |
| NY3255          | . . . . STUD, nylon  | QR      | -           |           |
| EG7.81.1303     | . . . CABLE, ASSEMBLY, N25, FROM<br>ELECTRICAL CONTROL PANEL TO<br>FORWARD PRESSURE BULKHEAD<br>GROUP<br>Consisting of:- | 1       | -           |           |
| R UNINYVIN 12   | . . . . CABLE  | QR      | -           |           |
| R UNINYVIN 16   | . . . . CABLE  | QR      | -           |           |
| R UNINYVIN 20   | . . . . CABLE  | QR      | -           |           |
| 508/1/07780/003 | . . . . CLAMP, cable   | 2       | -           |           |
| EEAS277/D1      | . . . . FERRULE, angle   | 1       | -           |           |
| 508/2/07724/300 | . . . . GASKET, union  | 2       | -           |           |
| EEAS276/D       | . . . . OUTLET, adaptor  | 1       | -           |           |
| 508/2/07713/300 | . . . . RING, sealing  | 2       | -           |           |
| 508/2/07758/007 | . . . . RING, thrust   | 2       | -           |           |
| Z49428          | . . . . SLEEVE, inner  | 30      | -           |           |
| EEAS146/12      | . . . . SLEEVE, 3/4" long  | QR      | -           |           |
| EEAS146/20      | . . . . SLEEVE, 3/4" long  | QR      | -           |           |
| EEAS146/00      | . . . . SLEEVE, 1" long  | QR      | -           |           |
| EEAS146/00      | . . . . SLEEVE, 1-1/2" long  | QR      | -           |           |
| 508/1/03961     | . . . . SOCKET, standard size 'D'  | 1       | -           |           |
| 508/1/03933     | . . . . SOCKET, standard, size 'D'   | 1       | -           |           |
| NY18007A        | . . . . STRAP, nylon   | QR      | -           |           |
| NY3255          | . . . . STUD, nylon  | QR      | -           |           |

AP101B-0417-3A

## ELECTRICAL

## ELECTRICAL EQUIPMENT IN FRONT FUSELAGE

| Part Number     | Description  | No. Off | Mati. Spec. | Plate No. |
|-----------------|--|---------|-------------|-----------|
|                 |  |         |             |           |
| EG7.81.1305     | . . . CABLE, ASSEMBLY, N26, FROM ELECTRICAL CONTROL PANEL TO FORWARD PRESSURE BULKHEAD, GROUP<br>Consisting of:— | 1       | —           |           |
| R UNINYVIN 12   | . . . CABLE  | QR      | —           |           |
| R UNINYVIN 16   | . . . CABLE  | QR      | —           |           |
| R UNINYVIN 20   | . . . CABLE  | QR      | —           |           |
| 508/1/07780/003 | . . . CLAMP, cable   | 2       | —           |           |
| EEAS277/D1      | . . . FERRULE, angle   | 1       | —           |           |
| 508/2/07724/300 | . . . GASKET, union  | 2       | —           |           |
| EEAS276/D       | . . . OUTLET, adaptor  | 1       | —           |           |
| 508/2/07713/300 | . . . RING, sealing  | 2       | —           |           |
| 508/2/07758/007 | . . . RING, thrust   | 2       | —           |           |
| Z49428          | . . . SLEEVE, inner  | 26      | —           |           |
| EEAS146/12      | . . . SLEEVE, 3/4" long  | QR      | —           |           |
| EEAS146/20      | . . . SLEEVE, 3/4" long  | QR      | —           |           |
| EEAS146/00      | . . . SLEEVE, 1" long  | QR      | —           |           |
| EEAS146/00      | . . . SLEEVE, 1-1/2" long  | QR      | —           |           |
| 508/1/03961     | . . . SOCKET, standard, size "D"   | 1       | —           |           |
| 508/1/03983     | . . . SOCKET, standard, size "D"   | 1       | —           |           |
| NY18007A        | . . . STRAP, nylon   | QR      | —           |           |
| NY3255          | . . . STUD, nylon  | QR      | —           |           |
| EG7.81.1307     | . . . CABLE, ASSEMBLY, N28, FROM ELECTRICAL CONTROL PANEL TO FORWARD PRESSURE BULKHEAD, GROUP<br>Consisting of:— | 1       | —           |           |
| R UNINYVIN 12   | . . . CABLE  | QR      | —           |           |
| R UNINYVIN 16   | . . . CABLE  | QR      | —           |           |
| R UNINYVIN 20   | . . . CABLE  | QR      | —           |           |
| 508/1/07780/003 | . . . CLAMP, cable   | 2       | —           |           |
| EEAS277/D1      | . . . FERRULE, angle   | 1       | —           |           |
| 508/2/07724/300 | . . . GASKET, union  | 2       | —           |           |
| EEAS276/D       | . . . OUTLET, adaptor  | 1       | S94         |           |
| 508/2/07713/300 | . . . RING, sealing  | 2       | —           |           |
| 508/2/07758/007 | . . . RING, thrust   | 2       | —           |           |
| Z49428          | . . . SLEEVE, inner  | 20      | —           |           |
| EEAS146/12      | . . . SLEEVE, 3/4" long  | QR      | —           |           |
| EEAS146/16      | . . . SLEEVE, 3/4" long  | QR      | —           |           |

## ELECTRICAL

## ELECTRICAL EQUIPMENT IN FRONT FUSELAGE

| Part Number     | 1 2 3 4 5 6 | Description   | No.<br>Off | Matl. Spec. | Plate No. |
|-----------------|-------------|---|------------|-------------|-----------|
|                 |             |   |            |             |           |
| EEAS146/00      | . . .       | SLEEVE, 1" long   | QR         | —           |           |
| EEAS146/00      | . . .       | SLEEVE, 1-1/2" long   | QR         | —           |           |
| 508/1/03961     | . . .       | SOCKET, standard, size "D"  | 1          | —           |           |
| 508/1/03983     | . . .       | SOCKET, standard, size "D"  | 1          | —           |           |
| NY18067         | . . .       | STRAP, nylon  | QR         | —           |           |
| NY3255          | . . .       | STUD, nylon   | QR         | —           |           |
| EG7.81.1311     | . . .       | CABLE, ASSEMBLY N19, FROM ELECTRICAL<br>CONTROL PANEL TO FORWARD<br>PRESSURE BULKHEAD, GROUP<br>Consisting of:— | 1          | —           |           |
| R UNINYVIN 16   | . . .       | CABLE   | QR         | —           |           |
| 508/1/07778/003 | . . .       | CLAMP, cable  | 1          | —           |           |
| 508/1/07779/003 | . . .       | CLAMP, cable  | 1          | —           |           |
| EEAS277/B       | . . .       | FERRULE, angle  | 1          | —           |           |

## ELECTRICAL

## ELECTRICAL EQUIPMENT IN FRONT FUSELAGE

| Part Number     | Description   | No.<br>Off | Mtl. Spec. | Plate No. |
|-----------------|---|------------|------------|-----------|
|                 |   |            |            |           |
| 508/2/07720/300 | . . . GASKET, union   | 1          | --         |           |
| 508/2/07722/300 | . . . GASKET, union   | 1          | --         |           |
| EEAS276/B       | . . . OUTLET, adaptor   | 1          | S94        |           |
| 508/2/07709/300 | . . . RING, sealing   | 2          | --         |           |
| 508/2/07757/007 | . . . RING, thrust  | 1          | --         |           |
| 508/2/07756/007 | . . . RING, thrust  | 1          | --         |           |
| EEAS146/2       | . . . SLEEVE, 3/4" long   | QR         | --         |           |
| EEAS146/16      | . . . SLEEVE, 3/4" long   | QR         | --         |           |
| 508/1/03947     | . . . SOCKET, standard, size 'B'  | 1          | --         |           |
| 508/1/03969     | . . . SOCKET, standard, size 'B'  | 1          | --         |           |
| NY3254          | . . . STRAP   | QR         | --         |           |
| NY3255          | . . . STUD  | QR         | --         |           |
| EG7.81.1313     | . . . CABLE, ASSEMBLY, N66, FROM ELECTRICAL<br>CONTROL PANEL TO PRESSURE<br>BULKHEAD, GROUP<br>Consisting of:-- | 1          | --         |           |
| UNINYVIN 16     | . . . CABLE   | QR         | --         |           |
| UNINYVIN 20     | . . . CABLE   | QR         | --         |           |
| 508/1/07778/003 | . . . CLAMP, cable  | 2          | --         |           |
| EEAS277/C1      | . . . FERRULE, angle  | 1          | --         |           |
| 508/2/07720/300 | . . . GASKET, union   | 2          | --         |           |
| EAS276/C1       | . . . OUTLET, adaptor   | 1          | S94        |           |
| 508/2/07709/300 | . . . RING, sealing   | 2          | --         |           |
| 508/2/07756/007 | . . . RING, thrust  | 2          | --         |           |
| Z49397          | . . . SLEEVE, inner   | 4          | --         |           |
| Z49428          | . . . SLEEVE, inner   | 4          | --         |           |
| EEAS146/16      | . . . SLEEVE, 3/4" long   | QR         | --         |           |
| EEAS146/4       | . . . SLEEVE, 1" long   | QR         | --         |           |
| 508/1/03954     | . . . SOCKET, standard, size 'C'  | 1          | --         |           |
| 508/1/03976     | . . . SOCKET, standard, size 'C'  | 1          | --         |           |
| NY18067         | . . . STRAP, nylon  | QR         | --         |           |
| NY3255          | . . . STUD, nylon   | QR         | --         |           |

## ELECTRICAL

## ELECTRICAL EQUIPMENT IN FRONT FUSELAGE

| Part Number     | Description   | No. Off | Matl. Spec. | Plate No. |
|-----------------|---|---------|-------------|-----------|
|                 |   |         |             |           |
| R EG7.81.1325   | . . . CABLE, ASSEMBLY, N14, FROM ELECTRICAL CONTROL PANEL TO JB14, GROUP (Pre Mod 5466)<br>Consisting of:—              | 1       | —           |           |
| R UNINYVIN 20   | . . . CABLE   | QR      | —           |           |
| 508/2/03547/002 | . . . PIN, plug, 16   | 3       | —           |           |
| 508/2/05604/002 | . . . PIN, plug, 16/20  | 14      | —           |           |
| UK-AN           |   |         |             |           |
| 9000-16-1P      | . . . PLUG, free, 7-way   | 1       | —           |           |
| UK-AN           |   |         |             |           |
| 9000-18-1P/W    | . . . PLUG, free, 10-way  | 1       | —           |           |
| 508/2/04367     | . . . PLUG, filler  | QR      | —           |           |
| 508/2/05851/004 | . . . RING, anti-chafe  | 1       | —           |           |
| 508/2/05851/005 | . . . RING, anti-chafe  | 1       | —           |           |
| 22139623        | . . . SLEEVE, packing   | 14      | —           |           |
| EEAS146/20      | . . . SLEEVE, 1/4" long   | QR      | —           |           |
| EEAS146/6       | . . . SLEEVE, 1" long   | QR      | —           |           |
| NY18067         | . . . STRAP, nylon  | QR      | —           |           |
| NY3255          | . . . STUD, nylon   | QR      | —           |           |
| R EG7.81.5241   | . . . CABLE, ASSEMBLY, N14 (Mod 5466)   | 1       | —           |           |
| EG7.81.1331     | . . . CABLE, ASSEMBLY, N519, FROM TAKE-OFF PANEL TO THERMOSTATIC CONTROL UNIT, GROUP<br>Consisting of:—                 | 1       | —           |           |
| UNINYVIN 20     | . . . CABLE   | QR      | —           |           |
| EEAS146/12      | . . . SLEEVE, 3/4" long, pink   | QR      | —           |           |
| HC294           | . . . TAG, ring tongue  | 2       | —           |           |
| HC490           | . . . TAG, quick release  | 2       | —           |           |
| EG7.81.1333     | . . . CABLE, ASSEMBLY, N402, FROM CONSOLE BREAK, FRAMES 2 AND 3, TO FORWARD PRESSURE BULKHEAD, GROUP<br>Consisting of:— | 1       | —           |           |
| UNINYVIN 20     | . . . CABLE   | QR      | —           |           |
| 508/1/07780/001 | . . . CLAMP, cable  | 1       | —           |           |
| 508/2/07707/300 | . . . GASKET, outlet  | 1       | —           |           |
| 508/2/07724/300 | . . . GASKET, union   | 1       | —           |           |
| 508/1/05602/002 | . . . INSERT, socket  | 19      | —           |           |
| 508/2/07654/001 | . . . OUTLET, angle   | 1       | —           |           |
| 508/1/07036/220 | . . . PLUG, free, Mk.7 (T4)   | 1       | —           |           |
| 508/2/07713/300 | . . . RING, sealing   | 1       | —           |           |
| 508/2/07758/007 | . . . RING, thrust  | 1       | —           |           |
| 508/2/05851/008 | . . . RING, anti-chafe  | 1       | —           |           |



AP101B-0417-3A

Page E61

## ELECTRICAL

## ELECTRICAL EQUIPMENT IN FRONT FUSELAGE

| Part Number     | Description   | No. Off | Matl. Spec. | Plate No. |
|-----------------|---|---------|-------------|-----------|
|                 |   |         |             |           |
| 2Z139623        | . . . SLEEVE, packing   | 19      | -           |           |
| EEAS146/16      | . . . SLEEVE, 1/2" long   | QR      | -           |           |
| EEAS146/2       | . . . SLEEVE, 1" long   | QR      | -           |           |
| UK-AN           | . . . SOCKET, fixed, 19-way   | 1       | -           |           |
| 8000-22-14S     |   |         |             |           |
| NY18067         | . . . STRAP, nylon  | QR      | -           |           |
| NY3255          | . . . STUD, nylon   | QR      | -           |           |
| 2Z139600        | . . . WASHER, panel packing   | 1       | -           |           |
| EG7.81.1339     | . . . CABLE, ASSEMBLY, N69, FROM ELECTRICAL<br>CONTROL PANEL TO CONTROL<br>COLUMN, GROUP<br>Consisting of:-   | 1       | -           |           |
| R UNINYVIN 16   | . . . CABLE   | QR      | -           |           |
| R UNINYVIN 20   | . . . CABLE   | QR      | -           |           |
| 508/1/07778/003 | . . . CLAMP, cable  | 1       | -           |           |
| 508/2/07720/300 | . . . GASKET, union   | 1       | -           |           |
| EEAS276/B       | . . . OUTLET, adaptor   | 1       | -           |           |
| 508/2/07709/300 | . . . RING, sealing   | 1       | -           |           |
| 508/2/07756/007 | . . . RING, thrust  | 1       | -           |           |
| Z49428          | . . . SLEEVE, inner   | 2       | -           |           |
| EEAS146/6       | . . . SLEEVE, 3/4" long   | QR      | -           |           |
| EEAS146/16      | . . . SLEEVE, 3/4" long   | QR      | -           |           |
| 508/1/03947     | . . . SOCKET, standard  | 1       | -           |           |
| NY18067         | . . . STRAP, nylon  | QR      | -           |           |
| NY3255          | . . . STUD, nylon   | QR      | -           |           |
| HC294           | . . . TAG, ring tongue  | 2       | -           |           |
| HC304           | . . . TAG, ring tongue  | 3       | -           |           |
| EG7.81.1341     | . . . CABLE, ASSEMBLY, N71, FROM ELECTRICAL<br>CONTROL PANEL TO PILOTS'<br>CONSOLE DEVIATION CARD<br>LIGHTS ON PORT COAMING<br>TUBE AND PILOT'S PORT<br>COAMING PANEL, GROUP<br>Consisting of:- | 1       | -           |           |
| R UNINYVIN 12   | . . . CABLE   | QR      | -           |           |

## ELECTRICAL

## ELECTRICAL EQUIPMENT IN FRONT FUSELAGE

| Part Number   | 1 2 3 4 5 6 | Description  | No. | Matl. Spec. | Plate No. |
|---------------|-------------|--|-----|-------------|-----------|
|               |             |  | Off |             |           |
| EG7.81.1345   |             | CABLE, ASSEMBLY 13J, FROM J.B. 13 TO<br>PILOT'S OXYGEN REGULATOR,<br>GROUP<br>Consisting of:--   | 1   | --          |           |
| UNINYVIN 20   |             | CABLE  | QR  | --          |           |
| Z23671        |             | GROMMET, tension, No. 1  | 1   | --          |           |
| E&I 7562      |             | PLUG, type 'K'   | 1   | --          |           |
| EEAS146/20    |             | SLEEVE, 3/4" long  | QR  | --          |           |
| EEAS146/12    |             | SLEEVE, 1" long  | QR  | --          |           |
| HC490         |             | TAG, quick release   | 2   | --          |           |
| 32B1250522    |             | THREAD, waxed linen No. 18   | QR  | --          |           |
| EG7.81.1347   |             | CABLE, ASSEMBLY, 13L, FROM J.B.13 TO<br>NAVIGATOR'S OXYGEN REGULATOR,<br>GROUP<br>Consisting of:--   | 1   | --          |           |
| UNINYVIN 20   |             | CABLE  | QR  | --          |           |
| Z23671        |             | GROMMET, tension, No. 1  | 1   | --          |           |
| E&I 7562      |             | PLUG, type 'K'   | 1   | --          |           |
| EEAS146/20    |             | SLEEVE, 3/4" long  | QR  | --          |           |
| EEAS146/12    |             | SLEEVE, 1" thick   | QR  | --          |           |
| HC490         |             | TAG, quick release   | 2   | --          |           |
| 32B1250522    |             | THREAD, waxed linen, No. 18  | QR  | --          |           |
| R EG7.81.1349 |             | CABLE, ASSEMBLY, 14M/N, FROM J.B. 14<br>TO SWITCH MAGNETIC RELAY<br>TYPE 'O' AND ELECTRIC HORN<br>TYPE 'C', FRAMES 7 AND 8,<br>STARBOARD, GROUP (Pre Mod 5466)<br>Consisting of:-- | 1   | --          |           |
| UNINYVIN 20   |             | CABLE, uninyvin 20   | QR  | --          |           |
| Z22431        |             | GROMMET, tension, No. 3  | 1   | --          |           |
| EEAS146/20    |             | SLEEVE, 3/4" long  | QR  | --          |           |
| EEAS146/6     |             | SLEEVE, 1" long  | QR  | --          |           |
| R HC490       |             | TAG, QR  | 6   | --          |           |
| R EG7.81.5265 |             | CABLE, ASSEMBLY, 14M/N (Mod 5466)  | 1   | --          |           |

## ELECTRICAL

## ELECTRICAL EQUIPMENT IN FRONT FUSELAGE

| Part Number   | Description   | No. Off | Matl. Spec. | Plate No. |
|---------------|---|---------|-------------|-----------|
|               |   |         |             |           |
| R EG7.81.1353 | . . . CABLE, ASSEMBLY, 14R, FROM J.B. 14 TO<br>A/E OPERATORS OXYGEN<br>REGULATOR, GROUP (Pre Mod 5466)<br>Consisting of:—             | 1       | —           |           |
| UNINYVIN 20   | . . . . CABLE   | QR      | —           |           |
| Z23671        | . . . . GROMMET, tension, No.1  | 1       | —           |           |
| R E17562      | . . . . PLUG, type 'K'  | 1       | —           |           |
| EEAS146/20    | . . . . SLEEVE, 3/4" long   | QR      | —           |           |
| EEAS146/12    | . . . . SLEEVE, 1" long   | QR      | —           |           |
| HC490         | . . . . TAG, quick release  | 2       | —           |           |
| 32B1250522    | . . . . THREAD, waxed linen, No.18  | QR      | —           |           |
| R EG7.81.5251 | . . . CABLE, ASSEMBLY, 14R (Mod 5466)   | 1       | —           |           |
| EG7.81.1399   | . . . CABLE, BUNG No.1, ASSEMBLY, FN22/N22,<br>FROM MAIN ELECTRICAL PANEL<br>TO ELECTRICAL CONTROL PANEL,<br>GROUP<br>Consisting of:— | 1       | —           |           |
| A25/2C        | . . . . BOLT, 2 BA hex. head  | 6       | —           |           |
| SR5031        | . . . . BUNG, Helsyn  | 1       | —           |           |
| UNINYVIN 6    | . . . . CABLE   | QR      | —           |           |
| Z22431        | . . . . GROMMET, tension No.3   | 2       | —           |           |
| EB4.81.3985   | . . . . HOUSING, bung pressure  | 1       | —           |           |
| Z70020        | . . . . LUG, ring tongue, 1/4"  | 2       | —           |           |
| Z70021        | . . . . LUG, ring tongue, 5/16"   | 2       | —           |           |
| AGS2001/C/1   | . . . . NUT, stiff, 2 BA  | 6       | —           |           |
| POLYPENCO     | . . . . ROD, nylon, 66, 3/32" dia. x 7/8" long  | 6       | —           |           |
| EEAS146/2     | . . . . SLEEVE, 1" long   | QR      | —           |           |
| EEAS146/6     | . . . . SLEEVE, 1-1/4" long   | QR      | —           |           |
| NY18007A      | . . . . STRAP, nylon  | QR      | —           |           |
| NY3255        | . . . . STUD, nylon   | QR      | —           |           |
| SP14/C        | . . . . WASHER, 2 BA plain  | 6       | —           |           |
| EG7.81.1401   | . . . CABLE, BUNG No.2 ASSEMBLY, F150/N150,<br>FROM MAIN ELECTRICAL PANEL<br>TO ELECTRICAL CONTROL PANEL,<br>GROUP<br>Consisting of:— | 1       | —           |           |
| A25/2C        | . . . . BOLT, 2 BA hex. head  | 6       | —           |           |
| SR5007        | . . . . BUNG, pressure 2-way  | 1       | —           |           |
| UNINYVIN 2    | . . . . CABLE   | QR      | —           |           |
| Z22432        | . . . . GROMMET, tension, No.4  | 2       | —           |           |

AP101B-0417-3A

## ELECTRICAL

## ELECTRICAL EQUIPMENT IN FRONT FUSELAGE

| Part Number     | Description  | No. Off | Matl. Spec. | Plate No. |
|-----------------|--|---------|-------------|-----------|
|                 |  |         |             |           |
| EB4.81.3985     | . . . HOUSING, bung pressure   | 1       | -           |           |
| 12319           | . . . LUG, ring tongue, 1/4"   | 2       | -           |           |
| Z70027          | . . . LUG, ring tongue, 5/16"  | 2       | -           |           |
| AGS2001/C/1     | . . . NUT, stiff, 2 BA   | 6       | -           |           |
| EEAS146/00      | . . . SLEEVE, 1" long  | QR      | -           |           |
| EEAS146/2       | . . . SLEEVE, 1-1/4" long  | QR      | -           |           |
| NY18007A        | . . . STRAP, nylon   | QR      | -           |           |
| NY3255          | . . . STUD, nylon  | QR      | -           |           |
| SP14/C          | . . . WASHER, 2 BA   | 6       | -           |           |
| EG7.81.1409     | . . CABLE, ASSEMBLY, F20, FROM MAIN<br>ELECTRICAL PANEL TO<br>DISTRIBUTION BOX No. 2, GROUP<br>Consisting of:- | 1       | -           |           |
| R UNINYVIN 16   | . . . CABLE  | QR      | -           |           |
| 508/1/07778/003 | . . . CLAMP, cable   | 1       | -           |           |
| 508/2/07720/300 | . . . GASKET, union  | 1       | -           |           |
| EEAS276/B       | . . . OUTLET, adaptor  | 1       | -           |           |
| 508/2/07709/300 | . . . RING, sealing  | 1       | -           |           |
| 508/2/07756/007 | . . . RING, thrust   | 1       | -           |           |
| Z49397          | . . . SLEEVE, inner  | 4       | -           |           |
| EEAS146/6       | . . . SLEEVE, 3/4" long  | QR      | -           |           |
| EEAS146/6       | . . . SLEEVE, 1" long  | QR      | -           |           |
| 508/1/03950     | . . . SOCKET, standard   | 1       | -           |           |
| NY18067         | . . . STRAP, nylon   | QR      | -           |           |
| NY3255          | . . . STUD, nylon  | QR      | -           |           |
| HC500           | . . . TAG, quick release   | 4       | -           |           |
| EG7.81.1413     | . . CABLE, ASSEMBLY F24, FROM MAIN<br>ELECTRICAL PANEL TO<br>DISTRIBUTION BOX No. 2, GROUP<br>Consisting of:-  | 1       | -           |           |
| R UNINYVIN 12   | . . . CABLE  | QR      | -           |           |
| R UNINYVIN 16   | . . . CABLE  | QR      | -           |           |
| R UNINYVIN 20   | . . . CABLE  | QR      | -           |           |
| 508/1/07778/003 | . . . CLAMP, cable   | 1       | -           |           |
| 508/2/07720/300 | . . . GASKET, union  | 1       | -           |           |
| EEAS276/C1      | . . . OUTLET, adaptor  | 1       | S94         |           |
| 508/2/07709/300 | . . . RING, sealing  | 1       | -           |           |
| 508/2/07756/007 | . . . RING, thrust   | 1       | -           |           |
| Z49428          | . . . SLEEVE, inner  | 4       | -           |           |

## ELECTRICAL

## ELECTRICAL EQUIPMENT IN FRONT FUSELAGE

| Part Number   | Description<br>1 2 3 4 5 6   | No.<br>Off | Mati. Spec. | Plate No. |
|---------------|--|------------|-------------|-----------|
|               |  |            |             |           |
| EEAS146/20    | . . . SLEEVE, 3/4" long  | QR         | —           |           |
| EEAS146/2     | . . . SLEEVE, 1" long  | QR         | —           |           |
| EEAS146/12    | . . . SLEEVE, 1" long  | QR         | —           |           |
| 508/1/03954   | . . . SOCKET, standard, 14-way   | 1          | —           |           |
| NY18007A      | . . . STRAP, nylon   | QR         | —           |           |
| NY3255        | . . . STUD, nylon  | QR         | —           |           |
| HC490         | . . . TAG, quick release   | 4          | —           |           |
| HC500         | . . . TAG, quick release   | 4          | —           |           |
| HC510         | . . . TAG, quick release   | 2          | —           |           |
| EG7.81.1415   | . . . CABLE, ASSEMBLY, 13D, FROM<br>NAVIGATORS PANEL PORT TO<br>J.B. 13, GROUP<br>Consisting of:—                                  | 1          | —           |           |
| R UNINYVIN 20 | . . . CABLE  | QR         | —           |           |
| Z22431        | . . . GROMMET, tension, No. 3  | 1          | —           |           |
| EEAS146/12    | . . . SLEEVE, 3/4" long  | QR         | —           |           |
| EEAS146/20    | . . . SLEEVE, 3/4" long  | QR         | —           |           |
| HC490         | . . . TAG, quick release   | 3          | —           |           |
| EG7.81.1419   | . . . CABLE, ASSEMBLY, F46, FROM<br>DISTRIBUTION BOX No. 2 TO<br>INERTIA SWITCHES, PORT AND<br>STARBOARD, GROUP<br>Consisting of:— | 1          | —           |           |
| R UNINYVIN 20 | . . . CABLE  | QR         | —           |           |
| Z23671        | . . . GROMMET, tension, No. 1  | 1          | —           |           |
| EEAS146/20    | . . . SLEEVE, 3/4" long, pink  | QR         | —           |           |
| EEAS146/12    | . . . SLEEVE, 1" long, pink  | QR         | —           |           |
| NY18067       | . . . STRAP, nylon   | QR         | —           |           |
| NY3255        | . . . STUD, nylon  | QR         | —           |           |
| HC296         | . . . TAG, ring tongue   | 4          | —           |           |
| HC490         | . . . TAG, quick release   | 4          | —           |           |

## ELECTRICAL

## ELECTRICAL EQUIPMENT IN FRONT FUSELAGE

| Part Number     | Description   | No. Off | Matl. Spec. | Plate No. |
|-----------------|---|---------|-------------|-----------|
|                 |   |         |             |           |
| EG7.81.1421     | . . . CABLE, ASSEMBLY, N102, FROM SLAVE RELAY BOX TO RUDDER TRIM SWITCH, PRESSURE BULKHEAD, ISOLATING RELAY, REVERSING RELAY, UPPER AND LOWER LIMIT SWITCHES, AND RUDDER TRIM ACTUATOR, GROUP (Pre SAS4745) | 1       | -           |           |
| EG7.81.3673     | . . . CABLE, ASSEMBLY, N102 (SAS4745)<br>Consisting of:   | 1       | -           |           |
| SR3413          | . . . BUNG, Helsyn  | 1       | -           |           |
| UNINYVIN 20     | . . . CABLE,  | QR      | -           |           |
| EEAS150/3       | . . . GASKET  | 1       | -           |           |
| 4413/K          | . . . HOUSING   | 1       | -           |           |
| 5F/4342009      | . . . ROD, nylon 66, 3/32" dia x 7/8" long  | 8       | -           |           |
| HT20-1/2        | . . . SLEEVE, Helsyn, 150 white, 1/2" long  | QR      | -           |           |
| HT30-1/2        | . . . SLEEVE, Helsyn, 150 white, 1/2" long  | QR      | -           |           |
| SADIC LTD.      |   |         |             |           |
| SHV2104         | . . . SLEEVE, junction (Pre SAS4745)  | 6       | -           |           |
| SADIC LTD.      |   |         |             |           |
| SHV2378         | . . . SLEEVE, junction (Pre SAS4745)  | 6       | -           |           |
| SADIC LTD.      |   |         |             |           |
| SHV2795         | . . . SLEEVE, junction (Pre SAS4745)  | 2       | -           |           |
| EEAS146/20      | . . . SLEEVE, 3/4" long   | QR      | -           |           |
| EEAS146/0000    | . . . SLEEVE, 1" long   | QR      | -           |           |
| EEAS146/2       | . . . SLEEVE, 1" long   | QR      | -           |           |
| EEAS146/16      | . . . SLEEVE, 1" long   | QR      | -           |           |
| EEAS146/0000    | . . . SLEEVE, 1 1/2" long   | QR      | -           |           |
| HC292           | . . . TAG, ring tongue  | 2       | -           |           |
| HC294           | . . . TAG, ring tongue  | 3       | -           |           |
| HC294/C         | . . . TAG, ring tongue  | 1       | -           |           |
| 5F/4342013      | . . . TUBING, P.V.C. 3mm i/d x 1 mm wall  | QR      | -           |           |
| 5F/4691438      | . . . TUBING, P.V.C. 5mm i/d x 1 mm wall  | QR      | -           |           |
| 5F/4341982      | . . . TUBING, P.V.C. 7mm i/d x 1 mm wall  | QR      | -           |           |
| 5F/4349854      | . . . TUBING, P.V.C. 15mm i/d x 1 mm wall   | QR      | -           |           |
| EG7.81.1433     | . . . CABLE, ASSEMBLY, N454A, FROM ALTERNATOR CONTROL BOX TO PRESSURE BULKHEAD, GROUP<br>Consisting of:   | 1       | -           |           |
| UNINYVIN 20     | . . . CABLE, yellow   | QR      | -           |           |
| 508/1/05602/002 | . . . INSERT, socket, size 16/20  | 6       | -           |           |
| 508/2/05604/002 | . . . PIN, plug   | 6       | -           |           |
| UK-AN           |   |         |             |           |
| 8000-14S-6P     | . . . PLUG, fixed, 6-way  | 1       | -           |           |
| 508/2/04367     | . . . PLUG, filler  | 6       | -           |           |
| 508/2/05851/003 | . . . RING, anti-chafe  | 1       | -           |           |
| 508/2/05851/004 | . . . RING, anti-chafe  | 1       | -           |           |

## ELECTRICAL

## ELECTRICAL EQUIPMENT IN FRONT FUSELAGE

| Part Number     | Description  | No.<br>Off | Mati. Spec. | Plate No. |
|-----------------|--|------------|-------------|-----------|
|                 |  |            |             |           |
| 2Z139623        | . . . SLEEVE, packing  | 6          | -           |           |
| EEAS146/20      | . . . SLEEVE, 3/4" long, pink  | QR         | -           |           |
| EEAS146/12      | . . . SLEEVE, 1" long, pink  | QR         | -           |           |
| UK-AN           |  |            |             |           |
| 9000-14S-6S     | . . . SOCKET, free, 6-way  | 1          | -           |           |
| 2Z139596        | . . . WASHER, panel packing  | 1          | -           |           |
| EG7.81.1435     | . . . CABLE, ASSEMBLY, N72, FROM PILOT'S CONSOLE<br>PANEL TO FORWARD PRESSURE BULKHEAD,<br>GROUP | 1          | -           |           |
|                 | Consisting of:   |            |             |           |
| R UNINYVIN 12   | . . . CABLE,   | QR         | -           |           |
| R UNINYVIN 16   | . . . CABLE,   | QR         | -           |           |
| R UNINYVIN 20   | . . . CABLE,   | QR         | -           |           |
| 508/1/07780/003 | . . . CLAMP, cable   | 2          | -           |           |
| 508/2/07724/300 | . . . GASKET, union  | 2          | -           |           |
| EEAS276/D       | . . . OUTLET, adaptor  | 2          | S94         |           |
| 508/2/07713/300 | . . . RING, sealing  | 2          | -           |           |
| 508/2/07758/007 | . . . RING, thrust   | 2          | -           |           |
| Z49428          | . . . SLEEVE, inner  | QR         | -           |           |
| EEAS146/12      | . . . SLEEVE, 3/4" long  | QR         | -           |           |
| EEAS146/20      | . . . SLEEVE, 3/4" long  | QR         | -           |           |
| EEAS146/2       | . . . SLEEVE, 1" long  | QR         | -           |           |
| 508/1/03961     | . . . SOCKET, standard, 26-way   | 1          | -           |           |
| 508/1/03983     | . . . SOCKET, standard, 26-way   | 1          | -           |           |
| NY18067         | . . . STRAP, nylon   | QR         | -           |           |
| NY3255          | . . . STUD, nylon  | QR         | -           |           |
| EG7.81.1441     | . . . CABLE, ASSEMBLY, F19, FROM DISTRIBUTION<br>BOX No.2 TO PRESSURE BULKHEAD,<br>GROUP         | 1          | -           |           |
|                 | Consisting of:   |            |             |           |
| R UNINYVIN 16   | . . . CABLE,   | QR         | -           |           |
| 508/1/07778/003 | . . . CLAMP, cable   | 1          | -           |           |
| 508/2/07720/300 | . . . GASKET, union  | 1          | -           |           |
| EEAS276/B       | . . . OUTLET, adaptor  | 1          | -           |           |
| 508/2/03547/002 | . . . PIN, plug, size 16   | 6          | -           |           |
| UK-AN           |  |            |             |           |
| 9000-14S-6P     | . . . PLUG, free   | 1          | -           |           |
| 508/2/04367     | . . . PLUG, filler   | 2          | -           |           |

## ELECTRICAL

## ELECTRICAL EQUIPMENT IN FRONT FUSELAGE

| Part Number     | Description   | No. Off | Mati. Spec. | Plate No. |
|-----------------|---|---------|-------------|-----------|
|                 |   |         |             |           |
| 508/2/05851/003 | . . . RING, anti-chafe  | 1       | -           |           |
| 508/2/07709/300 | . . . RING, sealing   | 1       | -           |           |
| 508/2/07756/007 | . . . RING, thrust  | 1       | -           |           |
| 508/2/15664     | . . . SLEEVE, packing   | 4       | -           |           |
| EEAS146/20      | . . . SLEEVE, 3/4" long, pink   | QR      | -           |           |
| EEAS146/12      | . . . SLEEVE, 1" long, pink   | QR      | -           |           |
| EEAS146/12      | . . . SLEEVE, 1 1/2" long, pink   | QR      | -           |           |
| 508/1/03947     | . . . SOCKET, standard  | 1       | -           |           |
| NY18067         | . . . STRAP, nylon  | QR      | -           |           |
| NY3255          | . . . STUD, nylon   | QR      | -           |           |
| R EG7.81.1443   | . . . CABLE, ASSEMBLY, N451, FROM FORWARD PRESSURE BULKHEAD TO ALTERNATOR SWITCH PANEL AND ELECTRICAL CONTROL PANEL, GROUP (Pre Mod 5466)<br>Consisting of: | 1       | -           |           |
| UNINYVIN 20     | . . . CABLE,  | QR      | -           |           |
| 508/1/05602/002 | . . . INSERT, socket, size 16/20  | 61      | -           |           |
| 508/2/05604/002 | . . . PIN, plug, size 16/20   | 7       | -           |           |
| UK-AN           |   |         |             |           |
| 9000-16-1P(N)   | . . . PLUG, free, 7-way   | 1       | -           |           |
| 508/2/04367     | . . . PLUG, filler  | 16      | -           |           |
| 508/2/05851/003 | . . . RING, anti-chafe  | 1       | -           |           |
| 508/2/05851/004 | . . . RING, anti-chafe  | 1       | -           |           |
| 508/2/05851/011 | . . . RING, anti-chafe  | 1       | -           |           |
| 508/2/15664     | . . . SLEEVE, packing   | 52      | -           |           |
| EEAS146/20      | . . . SLEEVE, 3/4" long, pink   | QR      | -           |           |
| EEAS146/6       | . . . SLEEVE, 1" long, pink   | QR      | -           |           |
| EEAS146/2       | . . . SLEEVE, 1 1/2" long, pink   | QR      | -           |           |
| EEAS146/00      | . . . SLEEVE, 1 1/2" long, pink   | QR      | -           |           |
| UK-AN           |   |         |             |           |
| 9000-24-28S     | . . . SOCKET, free, 24-way  | 1       | -           |           |
| UK-AN           |   |         |             |           |
| 8000-28-21S     | . . . SOCKET, fixed, 37-way   | 1       | -           |           |
| NY18067         | . . . STRAP, nylon  | QR      | -           |           |
| NY3255          | . . . STUD, nylon   | QR      | -           |           |
| 2Z139602        | . . . WASHER, panel packing   | 1       | -           |           |
| R EG7.81.5381   | . . . CABLE, ASSEMBLY, N451 (Mod 5466)  | 1       | -           |           |
| EG7.81.1445     | . . . CABLE, ASSEMBLY, 13M, FROM J.B.13 TO TERMINAL BLOCK ON NAVIGATORS INSTRUMENT PANEL, GROUP<br>Consisting of:   | 1       | -           |           |
| UNINYVIN 20     | . . . CABLE,  | QR      | -           |           |

## ELECTRICAL

## ELECTRICAL EQUIPMENT IN FRONT FUSELAGE

| Part Number | Description   | No.<br>Off | Matl. Spec. | Plate No. |
|-------------|---|------------|-------------|-----------|
|             |   |            |             |           |
| Z23671      | . . . GROMMET, Hetsyn No.1  | 1          | -           |           |
| EEAS146/20  | . . . SLEEVE, 3/4" long, pink   | QR         | -           |           |
| EEAS146/12  | . . . SLEEVE, 1" long, pink   | QR         | -           |           |
| HC490       | . . . TAG, quick release  | 4          | -           |           |
| EG7.81.1447 | . . . CABLE, ASSEMBLY, 13P, FROM J.B.13 TO<br>TERMINAL BLOCK ON COAMING PANEL,<br>GROUP<br>Consisting of:-                                    | 1          | -           |           |
| UNINYVIN 20 | . . . CABLE   | QR         | -           |           |
| 5X/9491421  | . . . GROMMET, Hetsyn No.3  | 1          | -           |           |
| EEAS146/20  | . . . SLEEVE, 3/4" long, pink   | QR         | -           |           |
| EEAS146/6   | . . . SLEEVE, 1" long, pink   | QR         | -           |           |
| HC490       | . . . TAG, quick release  | 8          | -           |           |
| EG7.81.3413 | . . . CABLE, ASSEMBLY, 14Q, FROM TERMINAL<br>BLOCK IN J.B.14 TO CONNECTOR<br>NAVIGATOR'S ESCAPE HATCH, GROUP<br>(Mod.4463)<br>Consisting of:- | 1          | -           |           |
| UNINYVIN 20 | . . . CABLE   | QR         | -           |           |
| 5CY/4376512 | . . . CONNECTOR, type 'R'   | 1          | -           |           |
| Z22430      | . . . GROMMET, Hetsyn No.2  | 1          | -           |           |
| EEAS146/20  | . . . SLEEVE, 3/4" long   | QR         | -           |           |
| EEAS146/12  | . . . SLEEVE, 1" long   | QR         | -           |           |
| HC490       | . . . TAG, quick release  | 2          | -           |           |
| EG7.81.1455 | . . . CABLE, ASSEMBLY, N523, FROM A/E OPERATORS<br>SWITCH PANEL TO EARTH POINT E14,<br>GROUP (PRE SAS4745)                                    | 1          | -           |           |
| EG7.81.3649 | . . . CABLE, ASSEMBLY, N523 (SAS4745)<br>Consisting of:-  | 1          | -           |           |
| UNINYVIN 20 | . . . CABLE   | QR         | -           |           |
| EEAS146/16  | . . . SLEEVE, 3/4" long   | QR         | -           |           |
| HC292       | . . . TAG, ring tongue  | 2          | -           |           |
| HC490       | . . . TAG, quick release  | 2          | -           |           |
| EG7.81.1459 | . . . CABLE, ASSEMBLY, N503, FRAME A/E OPERATORS<br>SWITCH PANEL TO PRESSURE BULKHEAD,<br>GROUP (PRE SAS4745)                                 | 1          | -           |           |
| EG7.81.3671 | . . . CABLE, ASSEMBLY, N503 (SAS4745) (Pre-Mod.5466)<br>Consisting of:-   | 1          | -           |           |
| UNINYVIN 12 | . . . CABLE   | QR         | -           |           |
| UNINYVIN 18 | . . . CABLE, (SAS4745)  | QR         | -           |           |
| UNINYVIN 20 | . . . CABLE   | QR         | -           |           |

## ELECTRICAL

## ELECTRICAL EQUIPMENT IN FRONT FUSELAGE

| Part Number     | Description   | No. Off | Mati. Spec. | Plate No. |
|-----------------|---|---------|-------------|-----------|
|                 |   |         |             |           |
| 508/1/05602/002 | . . . INSERT, socket  | 14      | -           |           |
| 2CZ138846       | . . . INSERT, socket  | 2       | -           |           |
| 508/2/04367     | . . . PLUG, filler (Pre SAS4745)  | 5       | -           |           |
| 508/2/04367     | . . . PLUG, filler (SAS4745)  | 3       | -           |           |
| 508/2/05851/009 | . . . RING, anti-chafe  | 1       | -           |           |
| 2Z139623        | . . . SLEEVE, packing   | 9       | -           |           |
| 2Z139628        | . . . SLEEVE, packing   | 2       | -           |           |
| EEAS146/12      | . . . SLEEVE, 3/4" long, pink   | QR      | -           |           |
| EEAS146/20      | . . . SLEEVE, 3/4" long, pink   | QR      | -           |           |
| EEAS146/2       | . . . SLEEVE, 1" long, pink   | QR      | -           |           |
| EEAS146/2/1%    | . . . SLEEVE, 1/4" long (SAS4745)   | QR      | -           |           |
| UK-AN           |   |         |             |           |
| 8000-24-7S      | . . . SOCKET, 16-way  | 1       | -           |           |
| NY18067         | . . . STRAP, nylon  | QR      | -           |           |
| NY3255          | . . . STUD, nylon   | QR      | -           |           |
| HC295           | . . . TAG, ring tongue (Pre SAS4745)  | 4       | -           |           |
| HC294D          | . . . TAG, RT (SAS4745)   | 4       | -           |           |
| HC296D          | . . . TAG, ring tongue  | 3       | -           |           |
| HC315           | . . . TAG, ring tongue (Pre SAS4745)  | 2       | -           |           |
| HC314A          | . . . TAG, RT (SAS4745)   | 2       | -           |           |
| HC304           | . . . TAG, RT (SAS4745)   | 2       | -           |           |
| HC490           | . . . TAG, quick release  | 2       | -           |           |
| 2Z139601        | . . . WASHER, panel packing   | 1       | -           |           |
| EG7.81.5349     | . . . CABLE, ASSEMBLY, N503 (Mod 5466) (Mod 5541)   | 1       | -           |           |
| EG7.81.1473     | . . . CABLE, ASSEMBLY, F503, FROM TOP EQUIPMENT<br>BAY PLUG BREAK TO TERMINAL BLOCK<br>FORWARD WAVE GUIDE SWITCHES, GROUP<br>Consisting of: - | 1       | -           |           |
| UNINYVIN 20     | . . . CABLE   | QR      | -           |           |
| 508/2/05604/002 | . . . PIN, plug   | 4       | -           |           |
| UK-AN           |   |         |             |           |
| 8000-14S-2P     | . . . PLUG, fixed, 4-way  | 1       | -           |           |
| 508/2/04367     | . . . PLUG, filler  | 2       | -           |           |
| 508/2/05851/004 | . . . RING, anti-chafe  | 1       | -           |           |
| 2Z139623        | . . . SLEEVE, packing   | 2       | -           |           |
| EEAS146/20      | . . . SLEEVE, 3/4" long   | QR      | -           |           |
| EEAS146/12      | . . . SLEEVE, 1" long   | QR      | -           |           |
| HC294           | . . . TAG, ring tongue  | 2       | -           |           |
| 2Z139596        | . . . WASHER, panel packing   | 1       | -           |           |
| EG7.81.1477     | . . . CABLE, ASSEMBLY, F504, FROM TERMINAL<br>BLOCK (NOSE) TO WAVE GUIDE SWITCHES,<br>GROUP<br>Consisting of: -                               | 1       | -           |           |
| UNINYVIN 20     | . . . CABLE   | QR      | -           |           |
| EG7.81.5661     | . . . CABLE ASSEMBLY 2No3 (Mod 5541)  | 1       | -           |           |
| EG7.81.5663     | . . . CABLE ASSEMBLY 3No3 (Mod 5541)  | 1       | -           |           |
| EG7.81.5665     | . . . CABLE ASSEMBLY 4No3 (Mod 5541)  | 1       | -           |           |

## ELECTRICAL

## ELECTRICAL EQUIPMENT IN FRONT FUSELAGE

| Part Number          | Description  | No.<br>Off | Matl. Spec. | Plate No. |
|----------------------|--|------------|-------------|-----------|
|                      |  |            |             |           |
| BENDIX               |  |            |             |           |
| PT.06.SE-10-6S(SR)   | . . . PLUG   | 2          | -           |           |
| 10-101033-10         | . . . PLUG, filler   | 8          | -           |           |
| EEAS146/12           | . . . SLEEVE, 3/4" long  | QR         | -           |           |
| EEAS146/20           | . . . SLEEVE, 3/4" long  | QR         | -           |           |
| EEAS146/6            | . . . SLEEVE, 1" long  | QR         | -           |           |
| HC294                | . . . TAG, ring tongue   | 4          | -           |           |
| EG7.81.1479          | . . . CABLE, ASSEMBLY, N452, FROM PRESSURE<br>BULKHEAD TO SELECTOR BOX, GROUP<br>Consisting of:- | 1          | -           |           |
| UNITERSIL 20         | . . . CABLE  | QR         | -           |           |
| Uninyvinmetsheath 16 | . . . CABLE  | QR         | -           |           |
| Uninyvinmetsheath 20 | . . . CABLE  | QR         | -           |           |
| PLESSEY              |  |            |             |           |
| CC610-037            | . . . CLAMP  | 3          | -           |           |
| EEAS569/5            | . . . CLIP, BONDING, ASSEMBLY<br>Consisting of:-   | 1          | -           |           |
| EEAS557              | . . . BUCKLE   | 1          | -           |           |
| SP90/G4              | . . . PIN, split   | 1          | -           |           |
| EEAS558              | . . . STRIP, bonding   | 1          | -           |           |
| 508/1/04585/002      | . . . INSERT, socket, 16   | 15         | -           |           |
| 508/1/05602/002      | . . . INSERT, socket, 16/20  | 2          | -           |           |
| 508/1/06588/001      | . . . INSERT, socket, 16   | 2          | -           |           |
| 508/1/06589/001      | . . . INSERT, socket, 16/20  | 1          | -           |           |
| 691(ET)10-3P         | . . . PLUG, free, Mk.6   | 1          | -           |           |
| 691(ET)10-3PW        | . . . PLUG, free, Mk.6   | 1          | -           |           |
| 508/2/04367          | . . . PLUG, filler, 16   | 11         | -           |           |
| 508/2/05851/007      | . . . RING, anti-chafe   | 1          | -           |           |
| 2Z139623             | . . . SLEEVE, pecking  | QR         | -           |           |
| EEAS146/20           | . . . SLEEVE, 1/4" long  | QR         | -           |           |
| EEAS146/2            | . . . SLEEVE, 1" long  | QR         | -           |           |
| EEAS146/6            | . . . SLEEVE, 1 1/4" long  | QR         | -           |           |
| EEAS146/2            | . . . SLEEVE, 1 1/2" long  | QR         | -           |           |
| 690(ET)10-3S         | . . . SOCKET, free, Mk.6   | 1          | -           |           |

## ELECTRICAL

## ELECTRICAL EQUIPMENT IN FRONT FUSELAGE

| Part Number            | Description   | No.<br>Off | Matl. Spec. | Plate No. |
|------------------------|---|------------|-------------|-----------|
|                        |   |            |             |           |
| UK-AN                  |   |            |             |           |
| 8000-20-29S            | . . . SOCKET, fixed   | 1          | -           |           |
| NY18067                | . . . STRAP, nylon  | QR         | -           |           |
| NY3255                 | . . . STUD, nylon   | QR         | -           |           |
| 2Z139599               | . . . WASHER, packing   | 1          | -           |           |
| EG7.81.1499            | . . . CABLE, ASSEMBLY, E27, FROM EARTH TERMINAL (E27) ON PILOT'S CONSOLE REMOVABLE PANEL TO SWITCH PANEL ASSEMBLY (TAKE-OFF) AND EARTH TERMINAL E27 GROUP | 1          | -           |           |
|                        | Consisting of:  |            |             |           |
| R UNINYVIN 16          | . . . CABLE,  | QR         | -           |           |
| EEAS146/16             | . . . SLEEVE, 3/4" long, pink   | QR         | -           |           |
| EEAS146/6              | . . . SLEEVE, 1" long, pink   | QR         | -           |           |
| EEAS146/12             | . . . SLEEVE, 1" long, pink   | QR         | -           |           |
| HC302                  | . . . TAG, ring tongue  | 4          | -           |           |
| HC304                  | . . . TAG, ring tongue  | 2          | -           |           |
| HC500                  | . . . TAG, quick release  | 2          | -           |           |
| EG7.81.1507            | . . . CABLE, ASSEMBLY, N80A, from TYPE B4 SUPPRESSOR TO CANOPY DE-MIST BLOWER MOTOR, GROUP  | 1          | -           |           |
|                        | Consisting of:  |            |             |           |
| R Uninyvinmetsheath 20 | . . . CABLE,  | QR         | -           |           |
| 508/1/07777/001        | . . . CLAMP, cable  | 2          | -           |           |
| EEAS146/16             | . . . SLEEVE, 3/4" long, pink   | QR         | -           |           |
| EEAS146/6              | . . . SLEEVE, 1" long, pink   | QR         | -           |           |
| HC294                  | . . . TAG, ring tongue  | 2          | -           |           |

## ELECTRICAL

## ELECTRICAL EQUIPMENT IN FRONT FUSELAGE

| Part Number       | Description   | No.<br>Off | Matl. Spec. | Plate No. |   |
|-------------------|---|------------|-------------|-----------|---|
|                   |   |            |             |           | 1 |
| EG7.81.1513       | . . . CABLE, ASSEMBLY, E28, FROM DISTRIBUTION<br>BOX No.2 TO EARTH POINT E28, GROUP<br>(Pre SAS 4745)                       | 1          | -           |           |   |
| EG7.81.3651       | . . . CABLE, ASSEMBLY, E28 (SAS4745)<br>Consisting of:  | 1          | -           |           |   |
| UNINYVIN 12       | . . . CABLE,  | QR         | -           |           |   |
| EEAS146/12        | . . . SLEEVE, 3/4" long   | QR         | -           |           |   |
| EEAS146/6         | . . . SLEEVE, 1" long   | QR         | -           |           |   |
| HC314A            | . . . TAG, ring tongue  | 4          | -           |           |   |
| EG7.81.1515       | . . . CABLE, ASSEMBLY, E28N, FROM DISTRIBUTION<br>BOX No.2 TO EARTH POINT E28, GROUP<br>Consisting of:                      | 1          | -           |           |   |
| UNINYVIN 16       | . . . CABLE,  | QR         | -           |           |   |
| EEAS146/16        | . . . SLEEVE, 3/4" long   | QR         | -           |           |   |
| EEAS146/12        | . . . SLEEVE, 1" long   | QR         | -           |           |   |
| HC302             | . . . TAG, ring tongue  | 2          | -           |           |   |
| HC304             | . . . TAG, ring tongue  | 2          | -           |           |   |
| R EG7.81.1517     | . . . CABLE, ASSEMBLY, N450, FROM PRESSURE<br>BULKHEAD TO CONTROL UNIT TYPE 7122,<br>GROUP (Pre Mod 5466)<br>Consisting of: | 1          | -           |           |   |
| UNINYVIN 20       | . . . CABLE,  | QR         | -           |           |   |
| 508/1/07779/001   | . . . CLAMP, cable  | 2          | -           |           |   |
| 508/1/07780/001   | . . . CLAMP, cable  | 1          | -           |           |   |
| 508/2/07706/300   | . . . GASKET, outlet  | 2          | -           |           |   |
| 508/2/07707/300   | . . . GASKET, outlet  | 1          | -           |           |   |
| 508/2/07722/300   | . . . GASKET, union   | 2          | -           |           |   |
| 508/2/07724/300   | . . . GASKET, union   | 1          | -           |           |   |
| 508/2/07652/001   | . . . OUTLET, angle   | 2          | -           |           |   |
| 508/2/07654/001   | . . . OUTLET, angle   | 1          | -           |           |   |
| 508/2/07709/300   | . . . RING, sealing   | 2          | -           |           |   |
| 508/2/07713/300   | . . . RING, sealing   | 1          | -           |           |   |
| 508/2/07757/007   | . . . RING, thrust  | 2          | -           |           |   |
| 508/2/07758/007   | . . . RING, thrust  | 1          | -           |           |   |
| EEAS146/20        | . . . SLEEVE, 1/2" long   | QR         | -           |           |   |
| EEAS146/2         | . . . SLEEVE, 1" long   | QR         | -           |           |   |
| EEAS146/6         | . . . SLEEVE, 1" long   | QR         | -           |           |   |
| R EEAS146/2       | . . . SLEEVE, 1 1/2" long   | QR         | -           |           |   |
| R 508/1/07009/220 | . . . SOCKET, free, Mk 7  | 2          | -           |           |   |
| R 508/1/07015/224 | . . . SOCKET, free, Mk 7  | 1          | -           |           |   |
| R NY18067         | . . . STRAP, nylon  | QR         | -           |           |   |
| R NY3255          | . . . STUD, nylon   | QR         | -           |           |   |
| R EG7.81.5237     | . . . CABLE, ASSEMBLY, N450 (Mod 5466)  | 1          | -           |           |   |

## ELECTRICAL

## ELECTRICAL EQUIPMENT IN FRONT FUSELAGE

| Part Number    | Description  | No. Off | Matl. Spec. | Plate No. |
|----------------|--|---------|-------------|-----------|
|                |  |         |             |           |
| EB7.81.1783    | . . . CABLE, ASSEMBLY, 4C1, NOSEWHEEL 'UP' FROM<br>TERMINAL BLOCK TO INDICATOR CONTROL<br>SWITCH, GROUP (Pre SAS4745)                    | 1       | -           |           |
| EA1.81.1225    | . . . CABLE, ASSEMBLY, 4C1 (SAS4745)<br>Consisting of:   | 1       | -           |           |
| DUPRENSHEATH 6 | . . . CABLE  | QR      | -           |           |
| EEAS146/A      | . . . SLEEVE, 3/4" long, yellow  | QR      | -           |           |
| EEAS146/D      | . . . SLEEVE, 3/4" long, yellow  | QR      | -           |           |
| EB7.81.1785    | . . . CABLE, ASSEMBLY, 4C3, NOSEWHEEL 'DOWN' FROM<br>TERMINAL BLOCK TO INDICATOR CONTROL<br>SWITCH, GROUP (Pre SAS4745)                  | 1       | -           |           |
| EA1.81.1227    | . . . CABLE, ASSEMBLY, 4C2 (SAS4745)<br>Consisting of:   | 1       | -           |           |
| DUPRENSHEATH 6 | . . . CABLE  | QR      | -           |           |
| EEAS146/A      | . . . SLEEVE, 3/4" long, yellow  | QR      | -           |           |
| EEAS146/D      | . . . SLEEVE, 3/4" long, yellow  | QR      | -           |           |
| EB7.81.1787    | . . . CABLE, ASSEMBLY, 4C3, NOSEWHEEL 'DOWN' FROM<br>TERMINAL BLOCK TO INDICATOR CONTROL<br>SWITCH, GROUP (Pre SAS4745)                  | 1       | -           |           |
| EA1.81.1229    | . . . CABLE, ASSEMBLY, NC3 (SAS4745)<br>Consisting of:   | 1       | -           |           |
| DUPRENSHEATH 6 | . . . CABLE  | QR      | -           |           |
| EEAS146/A      | . . . SLEEVE, 3/4" long, yellow  | QR      | -           |           |
| EEAS146/D      | . . . SLEEVE, 3/4" long, yellow  | QR      | -           |           |
| EG7.81.2119    | . . . CABLE, ASSEMBLY, F23, FROM MAIN ELECTRICAL<br>PANEL TO ARMAMENT SAFETY BREAK<br>AND DISTRIBUTION BOX No.2, GROUP<br>Consisting of: | 1       | -           |           |
| UNINYVIN 20    | . . . CABLE,   | QR      | -           |           |
| RAYCHEM        |  |         |             |           |
| TC4001-CRN-G   | . . . CAP, thermofit termination (Pre SAS4745)   | 3       | -           |           |
| RAYCHEM        |  |         |             |           |
| TC4003-CRN-G   | . . . CAP, thermofit (SAS4745)   | 3       | -           |           |
| HC1350         | . . . FERRULE  | 1       | -           |           |
| Z49428         | . . . SLEEVE, inner  | 2       | -           |           |

## ELECTRICAL

## ELECTRICAL EQUIPMENT IN FRONT FUSELAGE

| Part Number     | Description  | No. Off | Matl. Spec. | Plate No. |
|-----------------|--|---------|-------------|-----------|
|                 |  |         |             |           |
| EEAS146/6       | . . . SLEEVE, 3/4" long  | QR      | -           |           |
| EEAS146/20      | . . . SLEEVE, 3/4" long  | QR      | -           |           |
| HC294           | . . . TAG, ring tongue   | 1       | -           |           |
| R EG7.81.2195   | . . CABLE, ASSEMBLY, N454, FROM TX WAVE GUIDE TEST SWITCH TO FRAME 'B' NOSE TEST PANEL, GROUP (Pre Mod 5466)<br>Consisting of:       | 1       | -           |           |
| UNINYVIN 20     | . . . CABLE,   | QR      | -           |           |
| BENDIX          |  |         |             |           |
| 10-101033-10    | . . . PLUG, filler, 20   | QR      | -           |           |
| EEAS146/20      | . . . SLEEVE, 3/4" long  | QR      | -           |           |
| EEAS146/12      | . . . SLEEVE, 1" long  | QR      | -           |           |
| BENDIX          |  |         |             |           |
| PT06SE10-6S(SR) | . . . SOCKET, pygmy, free  | 1       | -           |           |
| HC294           | . . . TAG, ring tongue   | 2       | -           |           |
| R EG7.81.2196   | . . CABLE, ASSEMBLY, N455, FROM RECEIVER WAVE GUIDE TEST SWITCH TO FRAME 'B' NOSE TEST PANEL, GROUP (Pre Mod 5466)<br>Consisting of: | 1       | -           |           |
| UNINYVIN 20     | . . . CABLE,   | QR      | -           |           |
| BENDIX          |  |         |             |           |
| 10-101033-10    | . . . PLUG, filler, 20   | QR      | -           |           |
| EEAS146/20      | . . . SLEEVE, 3/4" long  | QR      | -           |           |
| EEAS146/12      | . . . SLEEVE, 1" long  | QR      | -           |           |
| BENDIX          |  |         |             |           |
| PT06SE10-6S(SR) | . . . SOCKET, pygmy, free  | 1       | -           |           |
| HC294           | . . . TAG, ring tongue   | 4       | -           |           |
| R EG7.81.2321   | . . CABLE, ASSEMBLY, N537, FROM NAVIGATORS COAMING PANEL TO A/E OPERATORS PANEL, GROUP (Pre Mod 5466)<br>Consisting of:              | 1       | -           |           |
| UNINYVIN 20     | . . . CABLE,   | QR      | -           |           |
| EEAS146/20      | . . . SLEEVE, 3/4" long  | QR      | -           |           |
| EEAS146/12      | . . . SLEEVE, 1" long  | QR      | -           |           |
| R HC295         | . . . TAG, RT  | 2       | -           |           |
| R HC490         | . . . TAG, QR  | 2       | -           |           |
| R EG7.81.5355   | . . CABLE, ASSEMBLY, N537 (Mod 5466)   | 1       | -           |           |

## ELECTRICAL

## ELECTRICAL EQUIPMENT IN FRONT FUSELAGE

| Part Number    | Description   | No. Off | Matl. Spec. | Plate No. |
|----------------|---|---------|-------------|-----------|
|                |   |         |             |           |
| EG7.81.2395    | CABLE, ASSEMBLY, N13, FROM ELECTRICAL CONTROL PANEL TO J.B.13, GROUP<br>Consisting of:  | 1       | -           |           |
| UNINYVIN 12    | CABLE,  | QR      | -           |           |
| UNINYVIN 20    | CABLE,  | QR      | -           |           |
| Z18500/C       | PLATE, ferrule  | 1       | -           |           |
| CZ24644        | FERRULE   | 1       | -           |           |
| Z18501/C       | RING, clamp   | 2       | -           |           |
| Z49428         | SLEEVE, inner   | 12      | -           |           |
| EEAS146/12     | SLEEVE, 3/4" long   | QR      | -           |           |
| EEAS146/20     | SLEEVE, 3/4" long   | QR      | -           |           |
| EEAS146/B      | SLEEVE, 1" long   | QR      | -           |           |
| 508/1/03954    | SOCKET, standard, 14-way  | 1       | -           |           |
| HC490          | TAG, quick release  | 12      | -           |           |
| HC510          | TAG, quick release  | 2       | -           |           |
| 5F/4349855     | TUBE, P.V.C. 19.0 mm x 1.2 mm wall  | QR      | -           |           |
| EA3.81.2401/2  | CABLE, ASSEMBLY, F100, FROM RELAY BOX TO D.C. DISTRIBUTION BOX, GROUP<br>Consisting of: | 1       | -           |           |
| UNINYVIN 20    | CABLE,  | QR      | -           |           |
| UNINYVIN 16    | CABLE,  | QR      | -           |           |
| 33H/2202125    | CEMENT, bostik  | QR      | -           |           |
| Z18500/C       | FERRULE, cut  | 2       | -           |           |
| Z18501/C       | RING, clamp   | 2       | -           |           |
| Z49428         | SLEEVE, cable   | 10      | -           |           |
| EEAS118/4/F100 | SLEEVE, identification  | 2       | -           |           |
| EEAS146/A1     | SLEEVE, 3/4" long   | 10      | -           |           |
| 508/1/03954    | SOCKET, size 'C'  | 2       | -           |           |
| 32B/1250522    | THREAD, waxed linen, No.18  | QR      | -           |           |
| 5F/9156422     | TUBING, P.V.C., 19 mm x 1.2 mm  | QR      | -           |           |
| EA3.81.2593/2  | CABLE, ASSEMBLY, N50, FROM STARTER PANEL TO THROTTLE BOX, GROUP<br>Consisting of:       | 1       | B           |           |
| EA3.81.2087    | BRACKET, switch   | 1       | L72         |           |

## ELECTRICAL

## ELECTRICAL EQUIPMENT IN FRONT FUSELAGE

| Part Number | 1 2 3 4 5 6     | Description  | No. Off | Matl. Spec. | Plate No. |
|-------------|-----------------|--|---------|-------------|-----------|
|             |                 |  |         |             |           |
| R           | UNINYVIN 20     | . . . CABLE,   | QR      | -           |           |
|             | 33H/2202125     | . . . CEMENT, bostik   | QR      | -           |           |
|             | Z2272/2         | . . . FERRULE, cut   | 1       | -           |           |
|             | Z4018           | . . . GROMMET  | 1       | -           |           |
|             | Z49428          | . . . SLEEVE, cable  | 4       | -           |           |
|             | EEAS146/A       | . . . SLEEVE, 3/4" long  | 4       | -           |           |
|             | EEAS146/A1      | . . . SLEEVE, 3/4" long  | 4       | -           |           |
|             | EEAS146/D1      | . . . SLEEVE, 1" long  | 2       | -           |           |
|             | 508/1/03942     | . . . SOCKET, assembly, size 'A'   | 1       | -           |           |
|             | SIS1343         | . . . SWITCH, type 170   | 2       | -           |           |
|             | or              |  |         |             |           |
|             | AS10512A-2      | . . . SWITCH   | 2       | -           |           |
|             | 32B/1250522     | . . . THREAD, waxed linen, No.18   | QR      | -           |           |
|             | EA3.81.2601     | . . . CABLE, ASSEMBLY, N101, FROM STARTER PANEL<br>TO JETTISON RELAY PANEL, GROUP  | 1       | -           |           |
|             |                 | Consisting of:   |         |             |           |
| R           | UNINYVIN 20     | . . . CABLE,   | QR      | -           |           |
|             | EEAS146/A       | . . . SLEEVE, 3/4" long  | 1       | -           |           |
|             | EEAS146/A1      | . . . SLEEVE, 1" long  | 3       | -           |           |
|             | 703-2-00315-020 | . . . TAG, quick release   | 1       | -           |           |
|             | EA3.81.2631 or  | . . . CABLE, ASSEMBLY, E13, EARTH CONNECTION   | 1       | -           |           |
|             | EA3.81.6211     | FOR J.B.13, GROUP  |         |             |           |
|             |                 | Consisting of:   |         |             |           |
| R           | UNINYVIN 12     | . . . CABLE,   | QR      | -           |           |
|             | 3112            | . . . GROMMET  | 1       | -           |           |
|             | 12108           | . . . LUG  | 2       | -           |           |
|             | EEAS146/C       | . . . SLEEVE, 3/4" long  | 4       | -           |           |
|             | Z19926          | . . . TAG, quick release   | 2       | -           |           |
|             | Z19981          | . . . THIMBLE, quick release   | 2       | -           |           |
|             | EG7.81.2735     | . . . CABLE, ASSEMBLY, N16E, FROM J.B.16 TO<br>ELECTRICAL CONTROL PANEL,<br>FLYING PANEL AND FORWARD<br>PRESSURE BULKHEAD, GROUP | 1       | -           |           |
|             |                 | Consisting of:   |         |             |           |
| R           | UNINYVIN 12     | . . . CABLE,   | QR      | -           |           |
| R           | UNINYVIN 20     | . . . CABLE,   | QR      | -           |           |
| R           | UNINYVIN 22     | . . . CABLE,   | QR      | -           |           |
|             | 508/1/07780/003 | . . . CLAMP, cable   | 2       | -           |           |
|             | EEAS277/D1      | . . . FERRULE, angle, assembly   | 1       | -           |           |
|             | 508/2/07724/300 | . . . GASKET, union  | 2       | -           |           |

## ELECTRICAL

## ELECTRICAL EQUIPMENT IN FRONT FUSELAGE

| Part Number      | 1 2 3 4 5 6 | Description  | No.<br>Off | Matl. Spec. | Plate No. |
|------------------|-------------|--|------------|-------------|-----------|
|                  |             |  |            |             |           |
| EEAS276/D        | . . .       | OUTLET, adaptor  | 1          | -           |           |
| 508/2/07713/300  | . . .       | RING, sealing  | 2          | -           |           |
| 508/2/07758/007  | . . .       | RING, thrust   | 2          | -           |           |
| Z49428           | . . .       | SLEEVE, inner  | 27         | -           |           |
| EEAS146/12       | . . .       | SLEEVE, 3/4" long  | QR         | -           |           |
| EEAS146/20       | . . .       | SLEEVE, 3/4" long  | QR         | -           |           |
| EEAS146/6        | . . .       | SLEEVE, 1" long  | QR         | -           |           |
| EEAS146/2        | . . .       | SLEEVE, 1 1/2" long  | QR         | -           |           |
| 508/2/03961      | . . .       | SOCKET, standard, size 'D'   | 1          | -           |           |
| 508/1/03983      | . . .       | SOCKET, standard, size 'D'   | 1          | -           |           |
| HV3254           | . . .       | STRAP  | QR         | -           |           |
| NY3255           | . . .       | STUD   | QR         | -           |           |
| HC294            | . . .       | TAG, ring tongue   | 3          | -           |           |
| HC490            | . . .       | TAG, quick release   | 2          | -           |           |
| EG7.81.2737      | . . .       | CABLE, ASSEMBLY, F413, FROM DISTRIBUTION<br>BOX No.12 TO 100A INVERTER No.1 AND<br>No.2 TYPE 12, GROUP<br>Consisting of: | 1          | -           |           |
| R UNINYVIN 12    | . . .       | CABLE,   | QR         | -           |           |
| R UNINYVIN 20    | . . .       | CABLE,   | QR         | -           |           |
| R UNINYVINMET 12 | . . .       | CABLE,   | QR         | -           |           |
| 508/1/07776/003  | . . .       | CLAMP, cable   | 2          | -           |           |
| EEAS294/1        | . . .       | CLAMP, cable   | 2          | -           |           |
| EEAS274          | . . .       | FERRULE  | 2          | -           |           |
| 2Z139098/Z       | . . .       | GASKET, ferrule  | 2          | -           |           |
| 508/2/07719/300  | . . .       | GASKET, union  | 4          | -           |           |
| Z22432           | . . .       | GROMMET, tension, No.4   | 1          | -           |           |
| Z23672           | . . .       | GROMMET, tension, No.5   | 1          | -           |           |
| EEAS276/Z        | . . .       | OUTLET, adaptor  | 2          | -           |           |
| 508/2/07708/300  | . . .       | RING, sealing  | 4          | -           |           |
| 508/2/07752/007  | . . .       | RING, thrust   | 4          | -           |           |
|                  | . . .       | SHEATH, P.V.C., FR/T/54 x 6 mm   | QR         | -           |           |
| AGS1651/3        | . . .       | SLEEVE, plain cable, type 1  | 2          | -           |           |

## ELECTRICAL

## ELECTRICAL EQUIPMENT IN FRONT FUSELAGE

| Part Number     | 1 2 3 4 5 6 | Description   | No. Off | Matl. Spec. | Plate No. |
|-----------------|-------------|---|---------|-------------|-----------|
|                 |             |   |         |             |           |
| EEAS146/12      | . . .       | SLEEVE, 3/4" long   | QR      | -           |           |
| EEAS146/20      | . . .       | SLEEVE, 3/4" long   | QR      | -           |           |
| EEAS146/20      | . . .       | SLEEVE, 3/4" long, red  | QR      | -           |           |
| EEAS146/20      | . . .       | SLEEVE, 3/4" long, white  | QR      | -           |           |
| EEAS146/20      | . . .       | SLEEVE, 3/4" long, blue   | QR      | -           |           |
| EEAS146/2       | . . .       | SLEEVE, 1" long   | QR      | -           |           |
| EEAS146/6       | . . .       | SLEEVE, 1" long   | QR      | -           |           |
| EEAS146/00      | . . .       | SLEEVE, 1 1/2" long   | QR      | -           |           |
| EEAS146/2       | . . .       | SLEEVE, 1 1/2" long   | QR      | -           |           |
| 508/1/03943     | . . .       | SOCKET, standard  | 2       | -           |           |
| 508/1/03989     | . . .       | SOCKET, standard  | 2       | -           |           |
| HC294           | . . .       | TAG, ring tongue  | 2       | -           |           |
| HC490           | . . .       | TAG, quick release  | 4       | -           |           |
| HC510           | . . .       | TAG, quick release  | 4       | -           |           |
| R EG7.81.2769   | . . .       | CABLE, ASSEMBLY, E14, FROM J.B.14 TO<br>EARTH POINT E14, GROUP (Pre Mod 5466)<br>Consisting of:-                    | 1       | -           |           |
| UNINYVIN 12     | . . .       | CABLE   | QR      | -           |           |
| Z22431          | . . .       | GROMMET, No.3   | 1       | -           |           |
| EEAS146/12      | . . .       | SLEEVE, 3/4" long   | QR      | -           |           |
| EEAS146/6       | . . .       | SLEEVE, 1" long   | QR      | -           |           |
| HC312           | . . .       | TAG, ring tongue  | 2       | -           |           |
| HC510           | . . .       | TAG, quick release  | 2       | -           |           |
| R EG7.81.5245   | . . .       | CABLE, ASSEMBLY, E14 (Mod 5466)   | 1       | -           |           |
| R EG7.81.2779   | . . .       | CABLE, ASSEMBLY, N458, FROM 400 CYCLE FUSE<br>BOX TO SUPPRESSOR TYPE B4, GROUP<br>(Pre Mod 5466)<br>Consisting of:- | 1       | -           |           |
| UNINYVIN 22     | . . .       | CABLE   | QR      | -           |           |
| 508/1/07776/003 | . . .       | CLAMP, cable  | 1       | -           |           |
| 5F/9433683      | . . .       | CORD, nylon tying, 1/32"  | QR      | DTD786      |           |
| 508/2/07719/300 | . . .       | GASKET, union   | 1       | -           |           |
| AGS1658/0       | . . .       | NUT, gland  | 1       | -           |           |
| 508/2/07708/300 | . . .       | RING, sealing   | 1       | -           |           |
| 508/2/07752/007 | . . .       | RING, thrust  | 1       | -           |           |
| AGS1652/2       | . . .       | SLEEVE, cable, type 1   | 1       | -           |           |
| EEAS146/22      | . . .       | SLEEVE, 3/4" long   | QR      | -           |           |
| EEAS146/12      | . . .       | SLEEVE, 1" long   | QR      | -           |           |
| EEAS146/12      | . . .       | SLEEVE, 1 1/2" long   | QR      | -           |           |
| HC490           | . . .       | TAG, quick release  | 2       | -           |           |

ELECTRICAL

ELECTRICAL EQUIPMENT IN FRONT FUSELAGE

| Part Number              | Description  | No. Off | Mati. Spec. | Plate No. |
|--------------------------|--|---------|-------------|-----------|
|                          |  |         |             |           |
| R EG7.81.3903            | CABLE assembly, N504 (Mod.4865 Part A)<br>Consisting of: | 1       | -           |           |
| R 24/6/0076/55           | BRAID, tinned copper                                     | QR      | -           |           |
| R 24/6/0076/445          | BRAID, tinned copper                                     | QR      | -           |           |
| R 24/6/0076/31           | BRAID, tinned copper                                     | QR      | -           |           |
| GLENAIR<br>INTERNATIONAL |  |         |             |           |
| R GTR62-20-14N           | CLAMP  | 1       | -           |           |
| GLENAIR<br>INTERNATIONAL |  |         |             |           |
| R GTR62-20-20N           | CLAMP  | 1       | -           |           |
| HELLERMAN                |  |         |             |           |
| R 1303/1/B5              | JUNCTION, angled tee                                     | 1       | -           |           |
| R 508/1/07029/220        | PLUG, free, 12-way                                       | 2       | -           |           |
| R 508/1/07036/220        | PLUG, free, 25-way                                       | 1       | -           |           |
| AMPHENOL                 |  |         |             |           |
| R 602GB-116-20000        | PLUG, sealing  | 12      | -           |           |
| R EEAS146/00/1½          | SLEEVE   | QR      | -           |           |
| R EEAS146/2/1½           | SLEEVE   | QR      | -           |           |
| R EEAS146/6/1            | SLEEVE   | QR      | -           |           |
| R EEAS146/20/¼           | SLEEVE   | QR      | -           |           |
| R EEAS146/20/¼           | SLEEVE   | QR      | -           |           |
| R EEAS146/20/¼           | SLEEVE   | QR      | -           |           |
| HELLERMAN                |  |         |             |           |
| R 304/1/B5               | SLEEVE, 3-way outlet                                     | 1       | -           |           |
| R 508/1/07009/220        | SOCKET, free, 12-way                                     | 1       | -           |           |
| R 620-14-19-SN           | SOCKET, fixed  | 1       | -           |           |
| R 620-20-41-SN           | SOCKET, fixed  | 1       | -           |           |
| R 19/0076                | WIRE, PTFE EQ, blue, type 'B'                            | QR      | -           |           |
| R ND                     | WIRE, tinned copper                                      | QR      | 36 SWG      |           |

ELECTRICAL

ELECTRICAL EQUIPMENT IN FRONT FUSELAGE

| Part Number | Description<br>1 2 3 4 5 6 | No.<br>Off | Matl. Spec. | Plate No. |
|-------------|----------------------------|------------|-------------|-----------|
|             |                            |            |             |           |

## ELECTRICAL

## ELECTRICAL EQUIPMENT IN FRONT FUSELAGE

| Part Number     | Description  | No. Off | Matl. Spec. | Plate No. |
|-----------------|--|---------|-------------|-----------|
|                 |  |         |             |           |
| EG7.81.2841     | CABLE, ASSEMBLY, E25, FROM ELECTRICAL CONTROL PANEL TO EARTH POINT E25, GROUP<br>Consisting of:-                                 | 1       | -           |           |
| UNINYVIN 4      | CABLE  | QR      | -           |           |
| 12123           | LUG  | 4       | -           |           |
| EEAS146/2       | SLEEVE, 1" long  | QR      | -           |           |
| EG7.81.2937     | CABLE, ASSEMBLY, F459, FROM No.2 DISTRIBUTION BOX TO CONTROL UNIT, GROUP<br>Consisting of:-                                      | 1       | -           |           |
| UNINYVIN 20     | CABLE  | QR      | -           |           |
| Z22431          | GROMMET, No.3  | 1       | -           |           |
| EEAS146/20      | SLEEVE, 3/4" long  | QR      | -           |           |
| EEAS146/6       | SLEEVE, 1" long  | QR      | -           |           |
| HC294           | TAG, ring tongue   | 4       | -           |           |
| HC490           | TAG, quick release   | 4       | -           |           |
| EG7.81.2939     | CABLE, ASSEMBLY, F460, FROM CONTROL UNIT TO FIREWIRE B/H CONNECTORS AND MAIN EQUIPMENT BAY FLOOR, PORT, GROUP<br>Consisting of:- | 1       | -           |           |
| UNINYVIN 20     | CABLE  | QR      | -           |           |
| EEAS146/20      | SLEEVE, 3/4" long  | QR      | -           |           |
| EEAS146/6       | SLEEVE, 1" long  | QR      | -           |           |
| HC292           | TAG, ring tongue   | 2       | -           |           |
| HC294           | TAG, ring tongue   | 6       | -           |           |
| EA3.81.6487     | CABLE, ASSEMBLY, F170, FROM 400~FUSE BOX TO ENGINE STARTER PANEL CONTROLLER GROUP (MOD.4420) (Pre Mod 5466)<br>Consisting of:-   | 1       | -           |           |
| UNINYVIN 20     | CABLE  | QR      | -           |           |
| HV3195          | GROMMET  | 1       | -           |           |
| EEAS146/12      | SLEEVE, 1/2" long  | QR      | -           |           |
| EEAS146/12      | SLEEVE, 3/4" long  | QR      | -           |           |
| EEAS146/20      | SLEEVE, 3/4" long  | QR      | -           |           |
| EEAS146/12      | SLEEVE, 1" long  | QR      | -           |           |
| HC296           | TAG, ring tongue   | 2       | -           |           |
| HC490           | TAG, ring tongue   | 2       | -           |           |
| EG7.81.5261     | CABLE, ASSEMBLY, F170 (Mod 5466)   | 1       | -           |           |
| EG7.81.3907     | CABLE, assembly, N550 (Mod 4865 Part A)  | 1       | -           |           |
| SC95436         | CABLE, assembly, power supply (Mod 4926)   | 1       | -           |           |
| EA1.81.777/1    | CABLE, ASSEMBLY, EB (SAS4745)  | 1       | -           |           |
| EG7.81.501      | CABLE, ASSEMBLY, C450 (SAS4745)  | 1       | -           |           |
| 10H/1047920     | FUSE, dummy (Pre SAS4745)  | 12      | -           |           |
| 10H/1047920     | FUSE, dummy (SAS4745) (Pre Mod 5466)   | 14      | -           |           |
| 10H/9463981     | FUSE, type AS, 5 amp   | 8       | -           |           |
| AS10512M-2      | SHROUD, terminal (SAS4745) (Pre Mod 5466)  | 1       | -           |           |
| N.S.F.          |  |         |             |           |
| 8810/B104       | SWITCH (Pre SAS4745)   | 1       | -           |           |
| AS10512A-2      | SWITCH (SAS4745) (Pre Mod 5466)  | 1       | -           |           |
| HC294D          | TAG, RT (SAS4745) (Pre Mod 5466)   | 2       | -           |           |
| HADDON & STOKES |  |         |             |           |
| DP1002          | WASHER, crinkle  | 33      | -           |           |

## ELECTRICAL

## ELECTRICAL EQUIPMENT IN FRONT FUSELAGE

| Part Number       | Description   | No. Off | Matl. Spec. | Plate No. |
|-------------------|---|---------|-------------|-----------|
|                   |   |         |             |           |
| R -               | . LOOMS, INSTRUMENT CABLES, ASSEMBLY (EG7.81.43)<br>(Pre Mod 5466)  | -       | -           |           |
| R -               | . LOOMS, INSTRUMENT CABLE, ASSEMBLY (EG7.81.5143)<br>(Mod 5466)<br>Consisting of:-                                      | -       | -           |           |
| EG7.81.3105       | . . . CABLE, ASSEMBLY, G1-C3, FROM PILOT'S CONTROL<br>PANEL TO GYRO UNIT, GROUP<br>Consisting of:-                      | 1       | -           |           |
| 16-2-1 2B         | . . . . CABLE, twelvevinmet small 2.5   | QR      | -           |           |
| 508/2/07851/009   | . . . . FERRULE, outer  | 2       | -           |           |
| 508/2/07833/009   | . . . . FERRULE, inner  | 2       | -           |           |
| 508/1/07706/300   | . . . . GASKET, outlet  | 2       | -           |           |
| 508/1/07624/003   | . . . . OUTLET, straight  | 2       | -           |           |
| 508/1/07029/220   | . . . . PLUG, 12-way, Mk.4, free  | 1       | -           |           |
| 508/2/07709/200   | . . . . RING, sealing   | 2       | -           |           |
| EEAS146/A         | . . . . SLEEVE, 3/4" long   | QR      | -           |           |
| EEAS146/F         | . . . . SLEEVE, 1" long   | QR      | -           |           |
| EEAS146/00        | . . . . SLEEVE, 1 1/2" long   | QR      | -           |           |
| 508/1/40009/320   | . . . . SOCKET, 12-way, Mk.4, free  | 1       | -           |           |
| EG7.81.3103       | . . . . TUBING, P.V.C., 12.7 mm i/d x 1 mm wall, black  | QR      | E & I 659   |           |
| EG7.81.3103       | . . . CABLE, ASSEMBLY, M3-DIC, FROM MASTER<br>INDICATOR TO CONNECTION AT PRESSURE<br>BULKHEAD, GROUP<br>Consisting of:- | 1       | -           |           |
| 16-2-12B          | . . . . CABLE, twelvevinmet small 2.5   | QR      | -           |           |
| 508/2/07851/009   | . . . . FERRULE, outer  | 2       | -           |           |
| 508/2/07833/009   | . . . . FERRULE, inner  | 2       | -           |           |
| 508/2/07706/200   | . . . . GASKET, outlet  | 2       | -           |           |
| 508/1/07624/003   | . . . . OUTLET, straight  | 2       | -           |           |
| 508/1/07029/220   | . . . . PLUG, 12-way, Mk.4, free  | 1       | -           |           |
| 508/2/07709/200   | . . . . RING, sealing   | 2       | -           |           |
| EEAS146/A         | . . . . SLEEVE, 3/4" long   | QR      | -           |           |
| EEAS146/F         | . . . . SLEEVE, 1" long   | QR      | -           |           |
| EEAS146/000       | . . . . SLEEVE, 1 1/2" long   | QR      | -           |           |
| 508/1/40009/320   | . . . . SOCKET, 12-way, Mk.4, free  | 1       | -           |           |
| EA3.81.950        | . . . . TUBING, P.V.C., 12.7 mm i/d x 1 mm wall, black  | QR      | E & I 659   |           |
| or<br>EA3.81.6243 | . . . CABLE, ASSEMBLY, C1-SW, FROM CONTROL<br>PANEL, G4B, to ENGINE STARTER PANEL,<br>GROUP<br>Consisting of:-          | 1       | -           |           |
| UNINYVIN 20       | . . . . CABLE   | QR      | -           |           |
| 508/2/07706/200   | . . . . GASKET, outlet  | 1       | -           |           |
| 508/2/07720/200   | . . . . GASKET, union   | 1       | -           |           |
| 508/1/07624/003   | . . . . OUTLET, straight  | 1       | -           |           |
| 508/1/07029/220   | . . . . PLUG, 12-way, Mk.4, free  | 1       | -           |           |
| 508/2/07709/200   | . . . . RING, sealing   | 1       | -           |           |
| 508/2/07755/007   | . . . . RING, thrust  | 1       | -           |           |

## ELECTRICAL

## ELECTRICAL EQUIPMENT IN FRONT FUSELAGE

| Part Number          | Description  | No. Off | Matl. Spec. | Plate No. |
|----------------------|--|---------|-------------|-----------|
|                      |  |         |             |           |
| EEAS146/A            | . . . SLEEVE, 3/4" long  | QR      | -           |           |
| EEAS146/D            | . . . SLEEVE, 1" long  | QR      | -           |           |
| †                    | . . . SLEEVE, CP1/4" Helsyn  | 1       | -           |           |
| †                    | . . . SLEEVE, CP1/2", Helsyn   | 1       | -           |           |
| R EG7.81.1213        | . . . CABLE, ASSEMBLY, M5-AJ3, FROM G4B MASTER INDICATOR TO REPEATER J.B., GROUP (Pre Mod 5466)<br>Consisting of:— | 1       | -           |           |
| 16-2-3C              | . . . CABLE, electric, miniature 3B  | QR      | -           |           |
| Uninyvinmetsheath 22 | . . . CABLE  | QR      | -           |           |
| 508/1/07776/001      | . . . CLAMP, cable   | 1       | -           |           |
| 508/2/07842/009      | . . . FERRULE, outer   | 1       | -           |           |
| 508/2/07824/009      | . . . FERRULE, inner   | 1       | -           |           |
| 508/2/07705/300      | . . . GASKET, outer  | 1       | -           |           |
| 508/2/07719/300      | . . . GASKET, union  | 1       | -           |           |
| AGS1658/0            | . . . NUT, gland   | 2       | -           |           |
| 508/2/07639/001      | . . . OUTLET, straight   | 1       | -           |           |
| 508/1/07023/220      | . . . PLUG, free, 6-way, Mk.7  | 1       | -           |           |
| 508/2/07708/300      | . . . RING, sealing  | 1       | -           |           |
| 508/2/07752/007      | . . . RING, thrust   | 1       | -           |           |
| AGS1652/2            | . . . SLEEVE, cable, type 1  | 1       | -           |           |
| EEAS146/20           | . . . SLEEVE, 1/2" long, pink  | QR      | -           |           |
| EEAS146/6            | . . . SLEEVE, 1" long, pink  | QR      | -           |           |
| RAYCHEM              | . . . SLEEVE, SCL, grey, size 4 1/2  | QR      | -           |           |
| EEAS146/6            | . . . SLEEVE, 1 1/2" long, pink  | QR      | -           |           |
| †                    | . . . WIRE, tinned copper, 22 SWG  | QR      | -           |           |
| EG7.81.1215          | . . . CABLE, ASSEMBLY, MA-A1, FROM MASTER INDICATOR TO COMPASS AMPLIFIER, GROUP<br>Consisting of:—                 | 1       | -           |           |
| 16-2-12C             | . . . CABLE, electric, miniature 12C   | QR      | -           |           |
| 508/1/07779/001      | . . . CLAMP, cable   | 2       | -           |           |
| 508/2/07706/300      | . . . GASKET, outlet   | 2       | -           |           |
| 508/2/07722/300      | . . . GASKET, union  | 2       | -           |           |
| 508/1/07625/001      | . . . OUTLET, straight   | 2       | -           |           |
| 508/1/07029/220      | . . . PLUG, free, 12-way, Mk.7   | 1       | -           |           |
| 508/2/07749/009      | . . . RING, compression  | 2       | -           |           |
| 508/2/07757/007      | . . . RING, thrust   | 2       | -           |           |
| EEAS146/20           | . . . SLEEVE, 1/2" long, pink  | QR      | -           |           |

## ELECTRICAL

## ELECTRICAL EQUIPMENT IN FRONT FUSELAGE

| Part Number     | Description   | No.<br>Off | Matl. Spec. | Plate No. |
|-----------------|---|------------|-------------|-----------|
|                 |   |            |             |           |
| EEAS146/2       | . . . . SLEEVE, 1" long, pink   | QR         | -           |           |
| EEAS146/2       | . . . . SLEEVE, 1½" long, pink  | QR         | -           |           |
| 508/1/07009/224 | . . . . SOCKET, free, 12-way, Mk.7  | 1          | -           |           |
| EG7.81.1217     | . . . CABLE, ASSEMBLY, M2-A4, FROM MASTER<br>INDICATOR TO COMPASS AMPLIFIER, GROUP        | 1          | -           |           |
|                 | Consisting of:  |            |             |           |
| R 16-2-12C      | . . . . CABLE, electric, miniature 12C  | QR         | -           |           |
| 508/1/07779/001 | . . . . CLAMP, cable  | 2          | -           |           |
| 508/2/07706/300 | . . . . GASKET, outlet  | 2          | -           |           |
| 508/2/07722/300 | . . . . GASKET, union   | 2          | -           |           |
| 508/1/07625/001 | . . . . OUTLET, straight  | 2          | -           |           |
| 508/1/07029/222 | . . . . PLUG, free, 12-way, Mk.7  | 1          | -           |           |
| 508/2/07749/009 | . . . . RING, compression   | 2          | -           |           |
| 508/2/07757/007 | . . . . RING, thrust  | 2          | -           |           |
| EEAS146/20      | . . . . SLEEVE, 1/2" long, pink   | QR         | -           |           |
| EEAS146/2       | . . . . SLEEVE, 1" long, pink   | QR         | -           |           |
| EEAS146/2       | . . . . SLEEVE, 1½" long, pink  | QR         | -           |           |
| 508/1/07009/222 | . . . . SOCKET, free, 12-way, Mk.7  | 1          | -           |           |
| EG7.81.1219     | . . . CABLE, ASSEMBLY, A2-C2, FROM COMPASS<br>AMPLIFIER TO COMPASS CONTROL UNIT,<br>GROUP | 1          | -           |           |
|                 | Consisting of:  |            |             |           |
| 5E/9100032      | . . . . CABLE, electric, miniature 12C  | QR         | -           |           |
| 508/1/07779-001 | . . . . CLAMP, cable  | 2          | -           |           |
| 508/2/07706/300 | . . . . GASKET, outlet  | 2          | -           |           |
| 508/2/07722/300 | . . . . GASKET, union   | 2          | -           |           |
| 508/1/07643/001 | . . . . OUTLET, straight  | 2          | -           |           |
| 508/1/07029/223 | . . . . PLUG, free, 12-way, Mk.7  | 1          | -           |           |
| 508/2/07749/009 | . . . . RING, compression   | 2          | -           |           |
| 508/2/07757/007 | . . . . RING, thrust  | 2          | -           |           |
| EEAS146/20      | . . . . SLEEVE, 1/2" long, pink   | QR         | -           |           |
| EEAS146/2       | . . . . SLEEVE, 1" long, pink   | QR         | -           |           |
| EEAS146/2       | . . . . SLEEVE, 1½" long, pink  | QR         | -           |           |
| 508/1/07009/221 | . . . . SOCKET, free, 12-way, Mk.7  | 1          | -           |           |

## ELECTRICAL

## ELECTRICAL EQUIPMENT IN FRONT FUSELAGE

| Part Number           | Description   | No. Off | Matl. Spec. | Plate No. |
|-----------------------|---|---------|-------------|-----------|
|                       |   |         |             |           |
| 508/1/03442/001       | . . CAP, protective   | 3       | -           |           |
| EG7.81.2535           | . MOUNTING, INVERTER, ASSEMBLY<br>Consisting of:                      | 1       | -           | 15/24     |
| EG7.81.2537           | . . BRACKET, ASSEMBLY<br>Spares for:                                  | 1       | -           | 15/9      |
| EG7.81.2539           | . . . CHANNEL, mounting, inverter<br>Attaching parts for EG7.81.2539: | 2       | L72         | 15/8      |
| A25/1C                | . . . Bolt, 2BA hex. head   | 16      | -           | 15/10     |
| AGS2001/C/1           | . . . Nut, stiff, 2BA   | 16      | -           | 15/11     |
| SP15/C                | . . . Washer, 2BA plain   | 16      | -           | 15/12     |
| A25/1B                | . . Bolt, 4BA hex. head   | 14      | -           | 15/4      |
| A27/BP                | . . Nut, 4BA plain  | 14      | -           | 15/5      |
| AGS162/B              | . . Washer, 4BA spring  | 14      | -           | 15/6      |
| R 5UB/4938            | . . INVERTER, type 100A<br>Attaching parts for 5UB/4938:              | 2       | -           | 15/1      |
| A25/2E                | . . Bolt, 1/4" BSF hex. head  | 8       | -           | 15/2      |
| AGS2001/E/1           | . . Nut, stiff, 1/4" BSF  | 8       | -           | 15/7      |
| SP15/E                | . . Washer, 1/4" BSF plain  | 8       | -           | 15/3      |
| R 5UC/6369631         | . . PANEL, control, type 12   | 2       | -           | 15/13     |
| EG7.81.2547           | . MOUNTING, TIME SWITCH, ASSEMBLY<br>Spares for:                      | -       | -           | 19/42     |
| TEDDINGTON<br>FHM/A25 | . . SWITCH, time<br>Attaching parts for FHM/A25                       | 2       | -           | 19/43     |
| R A31/C20             | . . Screw, 2BA cheese head  | 8       | -           | 19/44     |
| EA6.10.2181           | . PACKING, tapered for studs  | 2       | -           | 18/37     |

ELECTRICAL  
ELECTRICAL EQUIPMENT IN FRONT FUSELAGE

| Part Number            | Description   | No. Off | Mtl. Spec. | Plate No. |   |
|------------------------|---|---------|------------|-----------|---|
|                        |   |         |            |           | 1 |
| —                      | ALTERNATIVES TO E.C.P. (MOD 4865) (EG7.81.3479)                                 | —       | —          |           |   |
| EG7.81.3511            | PANEL, ELECTRICAL CONTROL, ASSEMBLY<br>(MOD 4865 Part.A)                        | 1       | —          | 21/10     |   |
| EG7.81.3503            | PANEL, ELECTRICAL CONTROL, ASSEMBLY<br>(MOD 4865 Part B) (Pre Mod 5176)         | 1       | —          |           |   |
| EG7.81.3753            | PANEL, ELECTRICAL CONTROL, ASSEMBLY<br>(MOD 5176) (PRE MOD 5466) (PRE MOD 5523) | 1       | —          |           |   |
| R EG7.81.4065          | PANEL, ELECTRICAL CONTROL, ASSEMBLY<br>(MOD 5523)                               |         |            |           |   |
| R                      | ALTS TO E.C.P. (EG7.81.5651) (MOD 5466)   |         |            |           |   |
| R                      | ALTS TO E.C.P. (EG7.81.4063) (MOD 5523)   |         |            |           |   |
|                        | Spares for:—  |         |            |           |   |
| EA1.81.410             | BAR, TERMINAL, ASSEMBLY<br>Spares for:—   | 4       | —          | 19/5      |   |
| EA1.81.411             | BAR, terminal, c/w studs  | 1       | —          | 19/8      |   |
| EA1.81.410/A           | BASE, 1/16" thick   | 1       | LFS21      | 19/7      |   |
| EA1.81.410B            | COVER, plate, 1/8" thick  | 1       | LFS21      | 19/9      |   |
| BULGIN T5              | HEAD, terminal, moulded 4 BA<br>Attaching parts for EA1.81.410:—                | 2       | —          | 19/21     |   |
| AGS2021/B/1            | Nut, stiff, 4 BA  | 2       | —          | 19/11     |   |
| A33/B14                | Screw, 4 BA c'sk head   | 2       | —          | 19/20     |   |
| 703-1-00249            | BLOCK, terminal, 20-way<br>Attaching parts for 703-1-00249:—                    | 4       | —          | 19/13     |   |
| AGS2001/B/1            | Nut, stiff, 4 BA  | 8       | —          | 19/22     |   |
| A31/B28                | Screw, 4 BA cheese head   | 8       | —          | 19/19     |   |
| R UNIMINYVIN 20        | CABLE, uniminyvin 20 (Mod 5466) (Mod 5523)                                      | QR      | —          |           |   |
| UNINYVIN 8             | CABLE   | QR      | —          | 19/16     |   |
| UNINYVIN 12            | CABLE   | QR      | —          | 19/17     |   |
| UNINYVIN 16            | CABLE   | QR      | —          | 19/18     |   |
| 5CY/4520               | CAP, protecting<br>Attaching parts for 5CY/4520:—                               | 2       | —          | 19/33     |   |
| A32/A4                 | Screw, 6 BA round head  | 4       | —          | 19/34     |   |
| TC4001/CRN             | CAP, termination (Mod 5466)   | QR      | —          |           |   |
| TC4003/CRN             | CAP, termination (Mod 5466)   | QR      | —          |           |   |
| TC4005/CRN             | CAP, termination (Mod 5466)   | QR      | —          |           |   |
| 5CY/4376393            | CIRCUIT-BREAKER, type A3  | 2       | —          | 19/29     |   |
| 5L/9951271             | FILAMENT  | 2       | —          | 19/28     |   |
| EB6.81.3365            | FUSE, MOUNTING, ASSEMBLY<br>Consisting of:—                                     | 1       | —          | 19/47     |   |
| EB6.81.3403            | BOLT, special   | 12      | BSS249     | 19/61     |   |
| E.E. CO. LTD.<br>V1234 | CARRIER, fuse, single, No.2   | 8       | —          | 19/51     |   |
| EB6.81.3405            | LINK, fuse, 10 SWG  | 3       | BSS265     | 19/45     |   |
| A14/EB                 | NUT, 1/4" BSF thin  | 12      | —          | 19/48     |   |
| AGS2002/E/4            | NUT, stiff, 1/4" BSF  | 12      | —          | 19/49     |   |
| EB6.81.3367            | PLATE, mounting, bottom, 1/2" thick   | 1       | BSS2966    | 19/41     |   |
| EB6.81.3369            | PLATE, mounting, top, 3/32" thick   | 1       | BSS2966    | 19/40     |   |
| EEAS28/22EW            | WASHER  | 12      | BS267      | 19/60     |   |
| SP10/E                 | WASHER, 1/4" BSF plain<br>Attaching parts for EB6.81.3365:—                     | 24      | —          | 19/59     |   |
| A25/16C                | BOLT, 2 BA hex. head  | 4       | —          | 19/39     |   |
| EB6.81.3733            | Piece, distance   | 4       | BS2966     | 19/36     |   |
| SP13/C                 | Washer, 2 BA plain  | 4       | —          | 19/37     |   |

ELECTRICAL  
ELECTRICAL EQUIPMENT IN FRONT FUSELAGE

| Part Number        | Description  | No. Off | Matl. Spec. | Plate No. |
|--------------------|--|---------|-------------|-----------|
|                    |  |         |             |           |
| R EA2.81.803       | . . . FUSE, spare holder, assembly                         | 1       | -           | 19/32     |
| R AGS2001A4        | . . . Attaching parts for EA2.81.803:-                     |         |             |           |
| R A32A16           | . . . Nut, stiff 6BA                                       | 4       | -           | 19/10     |
|                    | . . . Screw, 6 BA, round head                              | 4       | -           | 19/4      |
| R 10H/1094061      | . . . FUSE, H.R.C. Type AS 7.5 amp                         | 3       | -           |           |
| R AS10             | . . . FUSE, Type AS 10 amp (Mod 5466)                      | 1       | -           |           |
| R AS5              | . . . FUSE, Type AS 5 amp (Mod 5466)                       | 4       | -           |           |
| R 10H/1047920      | . . . FUSE, dummy (Mod 5466)                               | 4       | -           |           |
| R 10H/9463981      | . . . FUSE, 5 amp (Mod 5523)                               | 1       | -           |           |
| -                  | . . . PANEL, side assembly (EG7.81.987)                    | -       | -           |           |
| -                  | . . . PANEL, side assembly (EG7.81.3531)                   | -       | -           |           |
| 10H/9463981        | . . . FUSE, H.R.C. 5 amp Type AS (Mod 5428) (Pre Mod 5506) | 83      | -           | 19/1      |
| AS5                | . . . FUSE, H.R.C. 5 amp Type AS (Mod 5506)                | 84      | -           |           |
| 10H/9718191        | . . . FUSE, H.R.C. 10 amp (Mod 5428)                       | 20      | -           | 19/2      |
| 10H/1043046        | . . . FUSE, H.R.C. 20 amp                                  | 16      | -           | 19/3      |
| 10H/0590125        | . . . FUSE, H.R.C. 30 amp                                  | 1       | -           | 19/52     |
| 10H/0120067        | . . . FUSE, H.R.C. 40 amp                                  | 1       | -           | 19/53     |
| 10H/24209          | . . . FUSE, H.R.C. 50 amp                                  | 1       | -           | 19/54     |
| 10H/1047920        | . . . FUSE, dummy  | 30      | -           | 19/56     |
| 10H/0590122        | . . . FUSE, H.R.C. 10 amp (Mod 5428)                       | 1       | -           | 19/42     |
| SP93/A8            | . . . GROMMET  | 1       | -           | 20/11     |
| 2CZ138846          | . . . INSERT, socket, 12                                   | 6       | Brass       | 20/37     |
| 2CZ138935          | . . . INSERT, socket, 8                                    | 16      | Brass       | 20/38     |
| 2CZ138939          | . . . INSERT, socket, 4                                    | 1       | Brass       | 20/39     |
| 2CZ139487          | . . . INSERT, socket, 12/16                                | 27      | Brass       | 20/21     |
| 508/1/04585/002    | . . . INSERT, socket, 16                                   | 51      | Brass       | 20/26     |
| 508/1/05602/002    | . . . INSERT, socket, 16/20                                | 52      | Brass       | 20/27     |
| -                  | . . . LABEL, SEM/CAN/031 (Mod 5176)                        | 1       | -           |           |
| EG7.81.4051        | . . . LABEL (Mod 5428)                                     | 1       | -           | 19/6      |
| 5CX/1041518        | . . . LAMP, cockpit, floodlight                            | 2       | -           | 19/27     |
| AGS2002/B/1        | . . . Attaching parts for 5CX/1041518:-                    |         |             |           |
| A32/B14            | . . . Nut, stiff, 4BA                                      | 2       | -           | 19/26     |
|                    | . . . Screw, 4BA round head                                | 2       | -           | 19/35     |
| EB6.81.4747        | . . . LANYARD, assembly                                    | 2       | -           | 19/46     |
| AGS2001/B/1        | . . . Attaching parts for EB6.81.4747:-                    |         |             |           |
| SP13/B             | . . . Nut, stiff, 4BA                                      | 2       | -           | 19/58     |
|                    | . . . Washer, 4BA plain                                    | 2       | -           | 19/50     |
| EEAS71/1           | . . . LINK, 2-way  | 1       | -           |           |
| EEAS71/3           | . . . LINK, 4-way  | 31      | -           | 17/7      |
| Z50210             | . . . LINK, 2-way  | 12      | -           | 19/14     |
| Z50212             | . . . LINK, 4-way  | 2       | -           | 19/15     |
| 5X/9400086         | . . . LUG, ring tongue                                     | 2       | -           |           |
| EG7.81.991         | . . . PANEL, relay mounting                                | 1       | L72         | 21/13     |
| A25/1B             | . . . Attaching parts for EG7.81.991:-                     |         |             |           |
| SP13/B             | . . . Bolt, 4BA hex head                                   | 4       | -           | 21/14     |
|                    | . . . Washer, 4BA plain                                    | 4       | -           | 21/16     |
| EG7.81.1003        | . . . PANEL, RELAY, EQUIPMENT, ASSEMBLY                    | 1       | -           | 21/9      |
| HENDREY TYPE D4600 | . . . Spares for:-   |         |             |           |
| AGS2001/B/1        | . . . RELAY, 2-pole, type 20B No.2                         | 2       | -           | 21/6      |
| A32/B36            | . . . Attaching parts for TYPE 20B No.2:-                  |         |             |           |
| SP10/B             | . . . Nut, stiff, 4BA                                      | 5       | -           | 21/5      |
|                    | . . . Screw, 4BA round head                                | 6       | -           | 21/4      |
|                    | . . . Washer, 4BA plain                                    | 6       | -           | 21/3      |

ELECTRICAL  
ELECTRICAL EQUIPMENT IN FRONT FUSELAGE

| Part Number             | Description   | No.<br>Off  | Matl. Spec. | Plate No. |
|-------------------------|---|-------------|-------------|-----------|
|                         |   |             |             |           |
| R HENDREY TYPE<br>D5900 | . . . RELAY, 4-pole, type 20B No.3<br>Attaching parts for type 20B No.3:--  | 2           | -           | 21/7      |
| R AGS2001B1             | . . . Nut, stiff  | 6           | -           | 21/1      |
| R A32B36                | . . . Screw, 4 BA round head  | 6           | -           | 21/8      |
| R SP10B                 | . . . Washer, 4 BA plain<br>Attaching parts for EG7.81.1003:--  | 6           | -           | 21/2      |
| R A25/1B                | . . Bolt, 4 BA hex head   | 10          | -           | 21/12     |
| R SP13B                 | . . Washer, 4 BA plain  | 10          | -           | 21/11     |
| EG7.81.3611             | . . PANEL, FUSE, EQUIPMENT, ASSEMBLY<br>(Pre Mod.5176)  | 1           | -           | 17/8      |
| R EG7.81.3755           | . . PANEL, FUSE, EQUIPMENT, ASSEMBLY<br>(Mod 5176) (Pre Mod 5466) (Pre Mod 5523)  | 1           | -           |           |
| R EG7.81.4073           | . . PANEL, FUSE, EQUIPMENT, ASSEMBLY<br>(Mod 5523)<br>. . ALTS TO EQUIPMENT ON FUSE PANEL<br>(EG7.81.5431) (Mod 5466)<br>. . ALTS TO EQUIPMENT ON FUSE PANEL<br>(EG7.81.4063) (Mod 5523)<br>Spares for:-- | 1<br>-<br>- | -<br>-<br>- |           |
| EG7.81.607              | . . . BLOCK, FUSE, ASSEMBLY<br>Spares for:--  | 1           | -           | 17/17     |
| 703-1-00416             | . . . . BLOCK, fuse, 4-way<br>Attaching parts for EG7.81.607:--   | 1           | -           | 17/6      |
| A32/B10                 | . . . Screw, 4 BA round head  | 2           | -           | 17/4      |
| AGS2035/B               | . . . Washer, shakeproof  | 2           | -           | 17/5      |
| EG7.81.609              | . . . BLOCK, FUSE, ASSEMBLY<br>Spares for:--  | 1           | -           | 17/22     |
| 703-1-00416             | . . . . BLOCK, fuse, 4-way<br>Attaching parts for EG7.81.609:--   | 1           | -           | 17/6      |
| A32/B10                 | . . . Screw, 4 BA round head  | 2           | -           | 17/4      |
| AGS2035/B               | . . . Washer, shakeproof  | 2           | -           | 17/5      |
| EG7.81.611              | . . . BLOCK, FUSE, ASSEMBLY<br>Spares for:--  | 1           | -           | 17/25     |
| 703-1-00416             | . . . . BLOCK, fuse, 4-way<br>Attaching parts for EG7.81.611:--   | 1           | -           | 17/6      |
| A32/B10                 | . . . Screw, 4 BA round head  | 2           | -           | 17/4      |
| AGS2035/B               | . . . Washer, shakeproof  | 2           | -           | 17/5      |
| EG7.81.613              | . . . BLOCK, FUSE, ASSEMBLY<br>Spares for:--  | 1           | -           | 17/31     |
| 703-1-00416             | . . . . BLOCK, fuse, 4-way<br>Attaching parts for EG7.81.613:--   | 1           | -           | 17/6      |
| A32/B10                 | . . . Screw, 4 BA round head  | 2           | -           | 17/4      |
| AGS2035/B               | . . . Washer, shakeproof  | 2           | -           | 17/5      |
| EG7.81.615              | . . . BLOCK, FUSE, ASSEMBLY<br>Spares for:--  | 1           | -           | 17/36     |
| 703-1-00416             | . . . . BLOCK, fuse, 4-way<br>Attaching parts for EG7.81.615:--   | 1           | -           | 17/6      |
| A32/B10                 | . . . Screw, 4 BA round head  | 2           | -           | 17/4      |
| AGS2035/B               | . . . Washer, shakeproof  | 2           | -           | 17/5      |
| EG7.81.617              | . . . BLOCK, FUSE, ASSEMBLY<br>Spares for:--  | 1           | -           | 17/44     |
| 703-1-00416             | . . . . BLOCK, fuse, 4-way<br>Attaching parts for EG7.81.617:--   | 1           | -           | 17/6      |
| A32/B10                 | . . . Screw, 4 BA round head  | 2           | -           | 17/4      |
| AGS2035/B               | . . . Washer, shakeproof  | 2           | -           | 17/5      |

ELECTRICAL  
ELECTRICAL EQUIPMENT IN FRONT FUSELAGE

| Part Number   | Description  | No. Off | Mtrl. Spec. | Plate No. |
|---------------|--|---------|-------------|-----------|
|               |  |         |             |           |
| R EG7.81.619  | . . . . BLOCK, FUSE, ASSEMBLY<br>Spares for:—                    | 1       | —           | 17/10     |
| R 703-1-00416 | . . . . . BLQCK, fuse, 4-way<br>Attaching parts for EG7.81.619:— | 1       | —           | 17/3      |
| R A32B8       | . . . . . Screw, 4 BA round head                                 | 2       | —           | 17/1      |
| R AGS2035B    | . . . . . Washer, shakeproof                                     | 2       | —           | 17/2      |
| EG7.81.621    | . . . . BLOCK, FUSE, ASSEMBLY<br>Spares for:—                    | 1       | —           | 17/23     |
| 703-1-00416   | . . . . . BLOCK, fuse, 4-way<br>Attaching parts for EG7.81.621:— | 1       | —           | 17/3      |
| A32/B8        | . . . . . Screw, 4 BA round head                                 | 2       | —           | 17/1      |
| AGS2035/B     | . . . . . Washer, shakeproof                                     | 2       | —           | 17/2      |
| EG7.81.623    | . . . . BLOCK, FUSE, ASSEMBLY<br>Spares for:—                    | 1       | —           | 17/27     |
| 703-1-00416   | . . . . . BLOCK, fuse 4-way<br>Attaching parts for EG7.81.623:—  | 1       | —           | 17/3      |
| A32/B8        | . . . . . Screw, 4 BA round head                                 | 2       | —           | 17/1      |
| AGS2035/B     | . . . . . Washer, shakeproof                                     | 2       | —           | 17/2      |
| EG7.81.625    | . . . . BLOCK, FUSE, ASSEMBLY<br>Spares for:—                    | 1       | —           | 17/33     |
| 703-1-00416   | . . . . . BLOCK, fuse 4-way<br>Attaching parts for EG7.81.625:—  | 1       | —           | 17/3      |
| A32/B8        | . . . . . Screw, 4 BA round head                                 | 2       | —           | 17/1      |
| AGS2035/B     | . . . . . Washer, shakeproof                                     | 2       | —           | 17/2      |
| EG7.81.627    | . . . . BLOCK, FUSE, ASSEMBLY<br>Spares for:—                    | 1       | —           | 17/38     |
| 703-1-00416   | . . . . . BLOCK, fuse 4-way<br>Attaching parts for EG7.81.627:—  | 1       | —           | 17/3      |
| A32/B8        | . . . . . Screw, 4 BA round head                                 | 2       | —           | 17/1      |
| AGS2035/B     | . . . . . Washer, shakeproof                                     | 2       | —           | 17/2      |
| EG7.81.629    | . . . . BLOCK, FUSE, ASSEMBLY<br>Spares for:—                    | 1       | —           | 17/48     |
| 703-1-00416   | . . . . . BLOCK, fuse 4-way<br>Attaching parts for EG7.81.629:—  | 1       | —           | 17/3      |
| A32/B8        | . . . . . Screw, 4 BA round head                                 | 2       | —           | 17/1      |
| AGS2035/B     | . . . . . Washer, shakeproof                                     | 2       | —           | 17/2      |
| EG7.81.631    | . . . . BLOCK, FUSE, ASSEMBLY<br>Spares for:—                    | 1       | —           | 17/11     |
| 703-1-00416   | . . . . . BLOCK, fuse 4-way<br>Attaching parts for EG7.81.631:—  | 1       | —           | 17/6      |
| A32/B10       | . . . . . Screw, 4 BA round head                                 | 2       | —           | 17/4      |
| AGS2035/B     | . . . . . Washer, shakeproof                                     | 2       | —           | 17/5      |
| EG7.81.633    | . . . . BLOCK, FUSE, ASSEMBLY<br>Spares for:—                    | 1       | —           | 17/18     |
| 703-1-00416   | . . . . . BLOCK, fuse 4-way<br>Attaching parts for EG7.81.633:—  | 1       | —           | 17/6      |
| A32/B10       | . . . . . Screw, 4 BA round head                                 | 2       | —           | 17/4      |
| AGS2035/B     | . . . . . Washer, shakeproof                                     | 2       | —           | 17/5      |
| EG7.81.635    | . . . . BLOCK, FUSE, ASSEMBLY<br>Spares for:—                    | 1       | —           | 17/29     |
| 703-1-00416   | . . . . . BLOCK, fuse 4-way<br>Attaching parts for EG7.81.635:—  | 1       | —           | 17/6      |
| A32/B10       | . . . . . Screw, 4 BA round head                                 | 2       | —           | 17/4      |
| AGS2035B      | . . . . . Washer, shakeproof                                     | 2       | —           | 17/5      |

## ELECTRICAL

## ELECTRICAL EQUIPMENT IN FRONT FUSELAGE

| Part Number   | Description |   |   |   |   |   | No. Off | Mati. Spec. | Plate No. |
|---------------|-------------|---|---|---|---|---|---------|-------------|-----------|
|               | 1           | 2 | 3 | 4 | 5   | 6 |         |             |           |
| EG7.81.637    | .           | . | . | . | BLOCK, FUSE, ASSEMBLY                           |   | 1       | -           | 17/35     |
|               |             |   |   |   | Spares for:-                                    |   |         |             |           |
| 703-1-00416   | .           | . | . | . | BLOCK, fuse, 4-way                              |   | 1       | -           | 17/6      |
|               |             |   |   |   | Attaching parts for EG7.81.637:-                |   |         |             |           |
| A32/B10       | .           | . | . | . | Screw, 4 BA round head                          |   | 2       | -           | 17/4      |
| AGS2035/B     | .           | . | . | . | Washer, shakeproof                              |   | 2       | -           | 17/5      |
| EG7.81.639    | .           | . | . | . | BLOCK, FUSE, ASSEMBLY                           |   | 1       | -           | 17/41     |
|               |             |   |   |   | Spares for:-                                    |   |         |             |           |
| 703-1-00416   | .           | . | . | . | BLOCK, fuse, 4-way                              |   | 1       | -           | 17/6      |
|               |             |   |   |   | Attaching parts for EG7.81.639:-                |   |         |             |           |
| A32/B10       | .           | . | . | . | Screw, 4 BA round head                          |   | 2       | -           | 17/4      |
| AGS2035/B     | .           | . | . | . | Washer, shakeproof                              |   | 2       | -           | 17/5      |
| EG7.81.641    | .           | . | . | . | BLOCK, FUSE, ASSEMBLY                           |   | 1       | -           | 17/52     |
|               |             |   |   |   | Spares for:-                                    |   |         |             |           |
| 703-1-00416   | .           | . | . | . | BLOCK, fuse, 4-way                              |   | 1       | -           | 17/6      |
|               |             |   |   |   | Attaching parts for EG7.81.641:-                |   |         |             |           |
| A32/B10       | .           | . | . | . | Screw, 4 BA round head                          |   | 2       | -           | 17/4      |
| AGS2035/B     | .           | . | . | . | Washer, shakeproof                              |   | 2       | -           | 17/5      |
| R EG7.81.643  | .           | . | . | . | BLOCK, FUSE, ASSEMBLY (Pre Mod 5466)            |   | 1       | -           | 17/12     |
| R EG7.81.5451 | .           | . | . | . | BLOCK, FUSE, ASSEMBLY (Mod 5466)                |   | 1       | -           |           |
|               |             |   |   |   | Spares for:-                                    |   |         |             |           |
| 703-1-00416   | .           | . | . | . | BLOCK, fuse, 4-way                              |   | 1       | -           | 17/6      |
| R EG7.81.5449 | .           | . | . | . | LABEL (Mod 5466)                                |   | 1       | -           | 17/60     |
|               |             |   |   |   | Attaching parts for EG7.81.643 or EG7.81.5451:- |   |         |             |           |
| A32/B10       | .           | . | . | . | Screw, 4 BA round head                          |   | 2       | -           | 17/4      |
| AGS2035/B     | .           | . | . | . | Washer, shakeproof                              |   | 2       | -           | 17/5      |
| EG7.81.645    | .           | . | . | . | BLOCK, FUSE, ASSEMBLY                           |   | 1       | -           | 17/30     |
|               |             |   |   |   | Spares for:-                                    |   |         |             |           |
| 703-1-00416   | .           | . | . | . | BLOCK, fuse, 4-way                              |   | 1       | -           | 17/3      |
|               |             |   |   |   | Attaching parts for EG7.81.645:-                |   |         |             |           |
| A32/B8        | .           | . | . | . | Screw, 4 BA round head                          |   | 2       | -           | 17/1      |
| AGS2035/B     | .           | . | . | . | Washer, shakeproof                              |   | 2       | -           | 17/2      |
| R EG7.81.647  | .           | . | . | . | BLOCK, FUSE, ASSEMBLY (Pre Mod 5466)            |   | 1       | -           | 17/14     |
| R EG7.81.5439 | .           | . | . | . | BLOCK, FUSE, ASSEMBLY (Mod 5466)                |   | 1       | -           |           |
|               |             |   |   |   | Spares for:-                                    |   |         |             |           |
| 703-1-00416   | .           | . | . | . | BLOCK, fuse, 4-way                              |   | 1       | -           | 17/6      |
| R EG7.81.5447 | .           | . | . | . | LABEL (Mod 5466)                                |   | 1       | -           | 17/61     |
|               |             |   |   |   | Attaching parts for EG7.81.647 or EG7.81.5439:- |   |         |             |           |
| A32/B10       | .           | . | . | . | Screw, 4 BA round head                          |   | 2       | -           | 17/4      |
| AGS2035/B     | .           | . | . | . | Washer, shakeproof                              |   | 2       | -           | 17/5      |
| EG7.81.3609   | .           | . | . | . | BLOCK, FUSE, ASSEMBLY (Mod 4865 Part B)         |   | 1       | -           | 17/21     |
|               |             |   |   |   | Spares for:-                                    |   |         |             |           |
| 703-1-00416   | .           | . | . | . | BLOCK, fuse, 4-way                              |   | 1       | -           | 17/6      |
| EG7.81.3481   | .           | . | . | . | LABEL, fuse                                     |   | 1       | -           |           |
|               |             |   |   |   | Attaching parts for EG7.81.3609:-               |   |         |             |           |
| A32/B10       | .           | . | . | . | Screw, 4 BA round head                          |   | 2       | -           | 17/4      |
| AGS2035/B     | .           | . | . | . | Washer, shakeproof                              |   | 2       | -           | 17/5      |
| EG7.81.651    | .           | . | . | . | BLOCK, FUSE, ASSEMBLY                           |   | 1       | -           | 17/26     |
|               |             |   |   |   | Spares for:-                                    |   |         |             |           |
| 703-1-00416   | .           | . | . | . | BLOCK, fuse, 4-way                              |   | 1       | -           | 17/3      |
|               |             |   |   |   | Attaching parts for EG7.81.651:-                |   |         |             |           |
| A32/B8        | .           | . | . | . | Screw, 4 BA round head                          |   | 2       | -           | 17/1      |
| AGS2035/B     | .           | . | . | . | Washer, shakeproof                              |   | 2       | -           | 17/2      |

ELECTRICAL  
ELECTRICAL EQUIPMENT IN FRONT FUSELAGE

| Part Number   | Description  | No. Off | Matl. Spec. | Plate No. |
|---------------|--|---------|-------------|-----------|
|               |  |         |             |           |
| EG7.81.653    | . . . . BLOCK, FUSE, ASSEMBLY<br>Spares for:—  | 1       | —           | 17/28     |
| 703-1-00416   | . . . . . BLOCK, fuse, 4-way<br>Attaching parts for EG7.81.653:—                                 | 1       | —           | 17/6      |
| A32/B10       | . . . . Screw, 4 BA round head   | 2       | —           | 17/4      |
| AGS2035/B     | . . . . Washer, shakeproof   | 2       | —           | 17/5      |
| EG7.81.656    | . . . . BLOCK, FUSE, ASSEMBLY (Pre Mod 5176)   | 1       | —           | 17/20     |
| EG7.81.3767   | . . . . BLOCK, FUSE, ASSEMBLY (Mod 5176) (Pre Mod 5466)<br>(A/C embodying SRIM3932)              | 1       | —           | 17/24     |
| EG7.81.5435   | . . . . BLOCK, FUSE, ASSEMBLY (Mod 5466)<br>Spares for:—   | 1       | —           |           |
| 703-1-00416   | . . . . . BLOCK, fuse, 4-way   | 1       | —           | 17/3      |
| EG7.81.729    | . . . . . LABEL, fuses 168-71 (Pre Mod 5176)   | 1       | —           |           |
| EG7.81.3771   | . . . . . LABEL, fuses 168-171 (Mod 5176)  | 1       | —           |           |
| EG7.81.5443   | . . . . . LABEL (Mod 5466)<br>Attaching parts for EG7.81.655 and EG7.81.3767 or<br>EG7.81.5435:— | 1       | —           | 17/57     |
| A32/B8        | . . . . Screw, 4 BA round head   | 2       | —           | 17/1      |
| AGS2035/B     | . . . . Washer, shakeproof   | 2       | —           | 17/2      |
| EG7.81.657    | . . . . BLOCK, FUSE, ASSEMBLY (Pre Mod 5466)   | 1       | —           | 17/13     |
| EG7.81.5437   | . . . . BLOCK, FUSE, ASSEMBLY (Mod 5466)<br>Spares for:—   | 1       | —           |           |
| 703-1-00416   | . . . . . BLOCK, fuse, 4-way   | 1       | —           | 17/3      |
| EG7.81.5445   | . . . . . LABEL (Mod 5466)<br>Attaching parts for EG7.81.657 or EG7.81.5437:—                    | 1       | —           | 17/58     |
| A32/B8        | . . . . Screw, 4 BA round head   | 2       | —           | 17/1      |
| AGS2035/B     | . . . . Washer, shakeproof   | 21      | —           | 17/2      |
| EG7.81.659    | . . . . BLOCK, FUSE, ASSEMBLY<br>Spares for:—  | 1       | —           | 17/53     |
| 703-1-00416   | . . . . . BLOCK, fuse, 4-way   | 1       | —           | 17/6      |
|               | Attaching parts for EG7.81.659:—   |         |             |           |
| A32/B10       | . . . . Screw, 4 BA round head   | 2       | —           | 17/4      |
| AGS2035/B     | . . . . Washer, shakeproof   | 2       | —           | 17/5      |
| R EG7.81.661  | . . . . BLOCK, FUSE, ASSEMBLY (Pre Mod 5466)<br>(Pre Mod 5523)                                   | 1       | —           | 17/43     |
| EG7.81.5465   | . . . . BLOCK, FUSE, ASSEMBLY (Mod 5466)   | 1       | —           |           |
| R EG7.81.4067 | . . . . BLOCK, FUSE, ASSEMBLY (Mod 5523)<br>Spares for:—   | 1       | —           |           |
| 703-1-00416   | . . . . . BLOCK, fuse, 4-way   | 1       | —           | 17/6      |
| R EG7.81.725  | . . . . . LABEL (Pre Mod 5466) (Pre Mod 5523)  | 1       | —           |           |
| EG7.81.5467   | . . . . . LABEL (Mod 5466)   | 1       | —           | 17/56     |
| R EG7.81.4069 | . . . . . LABEL (Mod 5523)<br>Attaching parts for EG7.81.661:—                                   | 1       | —           |           |
| A32/B10       | . . . . Screw, 4 BA round head   | 2       | —           | 17/4      |
| AGS2035/B     | . . . . Washer, shakeproof   | 2       | —           | 17/5      |
| EG7.81.4045   | . . . . BLOCK, fuse assembly (Mod 5428)<br>Spares for:—  | 1       | —           | 17/37     |
| CZ52815       | . . . . . BLOCK, fuse  | 1       | —           | 17/6      |
| or            |  |         |             |           |
| 703-1-00416   |  |         |             |           |
| EG7.81.4041   | . . . . . LABEL (Fuses 173-176)<br>Attaching parts for EG7.81.4045:—                             |         |             | 17/6A     |
| A32/B10       | . . . . Screw, 4 BA, round head  | 2       | —           | 17/4      |
| AGS2035/B     | . . . . Washer, shakeproof   | 2       | —           | 17/5      |

ELECTRICAL  
ELECTRICAL EQUIPMENT IN FRONT FUSELAGE

| Part Number     | Description                                  | No. Off | Matl. Spec. | Plate No. |
|-----------------|--|---------|-------------|-----------|
|                 |  |         |             |           |
| R EG7.81.667    | . . . . BLOCK, FUSE, ASSEMBLY (Pre Mod 5466) | 1       | -           | 17/19     |
| R EG7.81.5433   | . . . . BLOCK, FUSE, ASSEMBLY (Mod 5466)     | 1       | -           |           |
|                 | Spares for:-                                 |         |             |           |
| R 703-1-00416   | . . . . BLOCK, fuse, 4-way                   | 1       | -           | 17/6      |
| R EG7.81.5441   | . . . . LABEL (Mod 5466)                     | 1       | -           | 17/59     |
|                 | Attaching parts for EG7.81.667:-             |         |             |           |
| R A32B10        | . . . . Screw, 4 BA round head               | 2       | -           | 17/4      |
| R AGS2035B      | . . . . Washer, shakeproof                   | 2       | -           | 17/5      |
| EG7.81.669      | . . . . BLOCK, FUSE, ASSEMBLY                | 1       | -           | 17/32     |
|                 | Spares for:-                                 |         |             |           |
| 703-1-00416     | . . . . BLOCK, fuse, 4-way                   | 1       | -           | 17/6      |
|                 | Attaching parts for EG7.81.669:-             |         |             |           |
| A32/B10         | . . . . Screw, 4 BA round head               | 2       | -           | 17/4      |
| AGS2035/B       | . . . . Washer, shakeproof                   | 2       | -           | 17/5      |
| SP93/A22        | . . . . GROMMET                              | 13      | -           | 17/9      |
| EA3.81.1451     | . . . . LABEL, No.2 gen. amps                | 1       | L72         | 17/45     |
| EA3.81.1453     | . . . . LABEL, No.1 gen. amps                | 1       | L72         | 17/39     |
| EA3.81.1455     | . . . . LABEL, No.2 gen. volts               | 1       | L72         | 17/55     |
| EA3.81.1457     | . . . . LABEL, No.1 gen. volts               | 1       | L72         | 17/40     |
| 5CY/4376392     | . . . . SOCKET, 3 pole, 2 amp                | 4       | -           | 17/42     |
|                 | Attaching parts for 5CY/4376392:-            |         |             |           |
| AGS2001/B/1     | . . . . Nut, stiff, 4 BA                     | 3       | -           | 17/46     |
| A32/B16         | . . . . Screw, 4 BA round head               | 2       | -           | 17/47     |
| A33/B16         | . . . . Screw, 4 BA c'sk head                | 1       | -           | 17/54     |
|                 | Attaching parts for EG7.81.3755:-            |         |             |           |
| A25/1C          | . . . . Bolt, 2 BA hex. head                 | 4       | -           | 17/49     |
| AGS2001/C/1     | . . . . Nut, stiff, 2 BA                     | 4       | -           | 17/50     |
| 213             | . . . . Stud, oddie                          | 3       | -           | 17/15     |
| 214             | . . . . Washer, oddie                        | 3       | -           | 17/16     |
| SP13/C          | . . . . Washer, 2 BA plain                   | 4       | -           | 17/51     |
| EG7.81.3555     | . . . . PLATE, cover, assembly               | 1       | -           | 20/15     |
| EG7.81.5475     | . . . . LABEL, plug position                 | 1       | -           | 20/15A    |
|                 | Attaching parts for EG7.81.3555:-            |         |             |           |
| 213             | . . . . Stud, oddie                          | 11      | -           | 20/16     |
| 214             | . . . . Washer, oddie                        | 11      | -           | 20/18     |
| EB6.81.3837     | . . . . PLATE, insulating, 1/16" thick       | 1       | Paxalon     | 19/38     |
| EG7.81.3569     | . . . . PLATE, terminal block, assembly      | 1       | -           |           |
| EG7.81.3567     | . . . . PLATE                                | 1       | -           |           |
| 508/1/06396     | . . . . PLUG, free, 5-way                    | 1       | -           | 20/48     |
| 508/1/06399     | . . . . PLUG, free, 9-way                    | 3       | -           | 20/53     |
| 508/1/06410     | . . . . PLUG, free, 13-way                   | 1       | -           | 20/55     |
| 508/1/06405     | . . . . PLUG, free, 14-way                   | 3       | -           | 20/56     |
| 508/1/06413     | . . . . PLUG, free, 26-way                   | 8       | -           | 20/51     |
| 508/2/06923     | . . . . PLUG, filler, size 4                 | QR      | -           | 21/34     |
| 508/2/06924     | . . . . PLUG, filler, size 6                 | QR      | -           | 20/43     |
| 508/2/04366     | . . . . PLUG, filler, size 12                | QR      | -           | 20/20     |
| 508/2/04367     | . . . . PLUG, filler, size 16                | QR      | -           | 20/28     |
| 6A/1062526      | . . . . RESISTANCE-UNIT                      | 2       | -           | 20/4      |
|                 | Attaching parts for 6A/1062526:-             |         |             |           |
| AGS2021/B/1     | . . . . Nut, stiff, 4 BA                     | 4       | -           | 20/5      |
| A32/B24         | . . . . Screw, 4 BA round head               | 4       | -           | 20/6      |
| SP13/B          | . . . . Washer, 4 BA plain                   | 4       | -           | 20/7      |
| PLESSEY         |  |         |             |           |
| 508/2/12373/002 | . . . . RING, anti-chafe                     | 1       | -           |           |
| AS10512M-2      | . . . . SHROUD, terminal (Mod 5176)          | 1       | -           |           |
| Z49397          | . . . . SLEEVE, reducing                     | 7       | -           | 20/57     |
| Z49428          | . . . . SLEEVE, reducing                     | 157     | -           | 20/49     |
| Z2139622        | . . . . SLEEVE, packing, pink                | QR      | -           | 20/30     |
| Z2139623        | . . . . SLEEVE, packing, blue                | QR      | -           | 20/31     |

ELECTRICAL  
ELECTRICAL EQUIPMENT IN FRONT FUSELAGE

| Part Number        | Description                              | No. Off | Matl. Spec. | Plate No. |
|--------------------|--|---------|-------------|-----------|
|                    |  |         |             |           |
| 22139626           | . . . SLEEVE, packing, white             | QR      | -           | 20/23     |
| EEAS563            | . . . SLEEVE, special (Pre Mod 5176)     | 1       | -           | 20/3      |
| 22139628           | . . . SLEEVE, packing, black             | QR      | -           | 20/47     |
| †                  | . . . SLEEVE, 3 mm i/d x 3/8" long, pink | 53      | -           | 19/12     |
| EEAS146/12         | . . . SLEEVE, 3/4" long, pink            | QR      | -           | 20/52     |
| EEAS146/16         | . . . SLEEVE, 3/4" long, pink            | QR      | -           | 20/24     |
| EEAS146/EQ         | . . . SLEEVE, 3/4" long, pink            | QR      | -           | 20/32     |
| EEAS146/20/¾       | . . . SLEEVE, (Mod 5466)                 | QR      | -           |           |
| 508/2/15662        | . . . SLEEVE, packing (Mod 5466)         | 7       | -           |           |
| R G198-1-1-08 PINK | . . . SLEEVE, ¾" long (Mod 5523)         | QR      | -           |           |
| R G198-1-1-08 PINK | . . . SLEEVE, ¾" long (Mod 5523)         | QR      | -           |           |
| R 508/2/15662      | . . . SLEEVE, packing, green (Mod 5523)  | 2       | -           |           |
| 508/1/05602/002    | . . . SOCKET, contact (Mod 5523)         | 2       | -           |           |
| 501/1/056 02/002   | . . . SOCKET (Mod 5466)                  | 6       | -           |           |
| UK-AN              |  |         |             |           |
| 8000-16-10S        | . . . SOCKET, fixed, 3-way               | 2       | -           | 20/33     |
| UK-AN              |  |         |             |           |
| 8000-16-10S/W      | . . . SOCKET, fixed, 3-way               | 1       | -           | 20/50     |
| UK-AN              |  |         |             |           |
| 8000-16-10S/X      | . . . SOCKET, fixed, 3-way               | 1       | -           | 20/34     |
| UK-AN              |  |         |             |           |
| 8000-16-10S/Y      | . . . SOCKET, fixed, 3-way               | 3       | -           | 20/19     |
| UK-AN              |  |         |             |           |
| 8000-22-22S        | . . . SOCKET, fixed, 4-way               | 1       | -           | 20/41     |
| UK-AN              |  |         |             |           |
| 8000-16S-1S        | . . . SOCKET, fixed, 7-way               | 3       | -           | 20/44     |
| UK-AN              |  |         |             |           |
| 8000-16-1S/W       | . . . SOCKET, fixed, 7-way               | 1       | -           | 20/54     |
| UK-AN              |  |         |             |           |
| 8000-16S-1S/Z      | . . . SOCKET, fixed, 7-way               | 1       | -           | 20/35     |
| UK-AN              |  |         |             |           |
| 8000-24-11S        | . . . SOCKET, fixed, 9-way               | 1       | -           | 20/45     |
| 508/1/07053/220    | . . . SOCKET, fixed, 9-way, Mk.7         | 2       | -           | 21/27     |
| UK-AN              |  |         |             |           |
| 8000-18-1S         | . . . SOCKET, fixed, 10-way              | 2       | -           | 20/25     |
| UK-AN              |  |         |             |           |
| 8000-32-6S         | . . . SOCKET, fixed, 23-way              | 1       | -           | 20/36     |
| PLESSEY            |  |         |             |           |
| 508/1/07649/220    | . . . SOCKET, fixed, 12-way              | 1       | -           |           |
| UK-AN              |  |         |             |           |
| 8000-32-6S(W)      | . . . SOCKET, fixed, 23-way              | 1       | -           | 21/26     |
| UK-AN              |  |         |             |           |
| 8000-32-6S(X)      | . . . SOCKET, fixed, 23-way              | 1       | -           | 21/33     |
| 5CY/1059467        | . . . SOCKET, test, type "F"             | 1       | -           | 20/13     |
|                    | Attaching parts for 5CY/1059467:-        |         |             |           |
| AGS2001/B/1        | . . . Nut, stiff, 4 BA                   | 2       | -           | 20/8      |
| A32/B20            | . . . Screw, 4 BA round head             | 2       | -           | 20/9      |
| SP13/B             | . . . Washer, 4 BA plain                 | 2       | -           | 20/10     |
| NY18067            | . . . STRAP, nylon                       | QR      | -           | 20/12     |
| NY18007A           | . . . STRAP, nylon                       | QR      | -           | 20/14     |
| NY3255             | . . . STUD, nylon                        | QR      | -           | 20/17     |

ELECTRICAL  
ELECTRICAL EQUIPMENT IN FRONT FUSELAGE

| Part Number              | Description   | No.<br>Off | Matl. Spec. | Plate No. |
|--------------------------|---|------------|-------------|-----------|
|                          |   |            |             |           |
| 5CW/1 102662             | . . SWITCH, push, type "B"<br>Attaching parts for 5CW/1 102662:--                           | 6          | —           | 21/22     |
| AGS2001/A/4              | . . Nut, stiff, 6 BA  | 24         | —           | 21/20     |
| A32/A16                  | . . Screw, 6 BA round head  | 24         | —           | 21/21     |
| NSF8810/B104             | . . SWITCH, tumbler (Pre Mod 5176)  | 1          | —           | 20/1      |
| AS10512/A/2              | . . SWITCH, tumbler (Mod 5176)  | 1          | —           |           |
| HC294                    | . . TAG, ring tongue (Pre Mod 5176)   | 11         | —           | 21/31     |
| HC294                    | . . TAG, ring tongue (Mod 5176)   | 9          | —           |           |
| HC294D                   | . . TAG, ring (Mod 5176)  | 2          | —           |           |
| HC296B                   | . . TAG, ring tongue  | 5          | —           |           |
| HC304                    | . . TAG, ring tongue  | 22         | —           | 21/32     |
| HC306B                   | . . TAG, ring tongue  | 23         | —           |           |
| HC310                    | . . TAG, ring tongue  | 34         | —           |           |
| HC314A                   | . . TAG, ring tongue  | 16         | —           | 19/31     |
| 12117                    | . . TAG, closed, red  | 9          | —           |           |
| HC490                    | . . TAG, quick release  | 115        | —           | 19/23     |
| HC500                    | . . TAG, quick release  | 43         | —           | 19/24     |
| HC510                    | . . TAG, quick release  | 131        | —           | 19/25     |
| HC490                    | . . TAG, quick release (Mod 5523)   | 2          | —           |           |
| EG7.81.2837              | . . TERMINAL, EARTH, ASSEMBLY<br>Consisting of:--   | 1          | —           | 21/17     |
| EG7.81.2839              | . . . LINK, earth   | 1          | BSS265      | 21/28     |
| AGS2001/B/4              | . . . NUT, stiff, 4 BA  | 6          | —           | 21/30     |
| A45/B32                  | . . . SCREW, 4 BA c'sk head   | 6          | —           | 21/29     |
| SP25/B                   | . . . WASHER, 4 BA  | 12         | —           | 21/24     |
|                          | Attaching parts for EG7.81.2837:--  |            |             |           |
| AS1246/3C                | . . Bolt, 2 BA, round head  | 1          | —           | 21/36     |
| EB2.81.8339              | . . Bolt, 1/4" BSF  | 2          | —           | 21/8      |
| AGS2001/C/1              | . . Nut, stiff, 2 BA  | 1          | —           | 21/37     |
| A14/EB                   | . . Nut, 1/4" BSF thin  | 2          | —           | 21/25     |
| AGS2001/E/3              | . . Nut, stiff, 1/4" BSF  | 2          | —           | 21/23     |
| AGS2035/C                | . . Washer, shakeproof  | 1          | —           | 21/15     |
| EEAS28/22EW              | . . Washer, contact   | 4          | BS267       | 21/14     |
| SP13/C                   | . . Washer, 2 BA plain  | 1          | —           | 21/35     |
| 10AC/9436079             | . . WASHER, crinkle, 2 BA   | 8          | —           | 19/30     |
| DP1003                   | . . WASHER, crinkle, 4 BA   | 40         | —           | 19/56     |
| DP1002/A                 | . . WASHER, crinkle, 5 BA (Pre Mod 5176)  | 3          | —           | 20/2      |
| 10AD/9436076             | . . WASHER, crinkle, 6 BA   | 42         | —           | 19/57     |
| ZZ/139597                | . . WASHER, panel packing   | 12         | —           | 20/22     |
| ZZ/139598                | . . WASHER, panel packing   | 2          | —           | 20/29     |
| ZZ/139600                | . . WASHER, panel packing   | 1          | —           | 20/42     |
| ZZ/139601                | . . WASHER, panel packing   | 1          | —           | 20/46     |
| ZZ/139603                | . . WASHER, panel packing   | 3          | —           | 20/40     |
| EG7.81.1453              | . . PANEL, STARTER (CARTRIDGE), ASSEMBLY<br>(Pre Mod 5466)                                  | 1          | —           | 16/44     |
| —                        | . . ALTS TO STARTER PANEL (CARTRIDGE) ASSEMBLY<br>(EG7.81.5453) (Mod 5466)<br>Spares for:-- | —          | —           | —         |
| 4408121                  | . . ADAPTER   | 1          | —           |           |
| EA3.81.1789              | . . BAR, coupling<br>Attaching parts for EA3.81.1789:--                                     | 2          | —           | 16/41     |
| EA3.81.1087 or<br>A55/A2 | . . Screw, grub, 6 BA   | 4          | —           | 16/38     |
|                          | . . Screw, grub, 6 BA   | 4          | —           | 16/39     |

## ELECTRICAL

## ELECTRICAL EQUIPMENT IN FRONT FUSELAGE

| Part Number     | Description  | No. Off | Mati. Spec. | Plate No. |
|-----------------|--|---------|-------------|-----------|
|                 |  |         |             |           |
| 5X/892          | . . . BLOCK, terminal, 8-way<br>Attaching parts for 5X/892:—                             | 2       | —           | 16/31     |
| AGS2001/B/1     | . . . Nut, stiff, 4 BA   | 4       | —           | 16/10     |
| A31/B32         | . . . Screw, 4 BA cheese head  | 4       | —           | 16/9      |
| UNIPREN 4       | . . . CABLE  | QR      | —           | 16/19     |
| UNINYVIN 20     | . . . CABLE  | QR      | —           | 16/15     |
| UNIPREN 12      | . . . CABLE  | QR      | —           | 16/16     |
| UNIPREN 6       | . . . CABLE  | QR      | —           | 16/25     |
| HV3711          | . . . CAP, helvin, dolly   | 3       | —           | 16/21     |
| 5K/9573137      | . . . COVER, spring, assembly  | 2       | —           | 16/27     |
| EA3.81.1569     | . . . LABEL  | 1       | —           |           |
| EA3.81.6225     | . . . LABEL, engraved  | 1       | —           |           |
| EA3.81.6233     | . . . LABEL, blank   | 1       | —           |           |
| 2CZ111399 or    | . . . PLUG, single, 4 pole   | 1       | —           | 16/17     |
| 508/1/06394     | . . . PLUG, single, 4 pole   | 1       | —           | 16/18     |
| 2CZ111224 or    | . . . PLUG, single, 9 pole   | 2       | —           | 16/36     |
| 508/1/06399     | . . . PLUG, single, 9 pole   | 2       | —           | 16/37     |
| 2CZ11127        | . . . PLUG, single, 14 pole  | 2       | —           | 16/1      |
| or              |  |         |             |           |
| 508/1/06406     | . . . PLUG, single, 14 pole  | 2       | —           | 16/2      |
| 508/1/40060-320 | . . . PLUG, fixed, Mk.4<br>Attaching parts for 508/1/40060-320:—                         | 1       | —           | 16/7      |
| Z54105          | . . . Washer, panel mounting   | 1       | —           | 16/8      |
| EA3.81.1087     | . . . SCREW, grub  | 4       | —           |           |
| AS10512/M/2     | . . . SHROUD, terminal (Mod 5466)  | 1       | —           | 16/42     |
| Z49428          | . . . SLEEVE, inner  | 23      | —           | 16/4      |
| EEAS146/A       | . . . SLEEVE, 3/4" long, yellow  | 42      | —           | 16/6      |
| EEAS146/A1      | . . . SLEEVE, 3/4" long, yellow  | 50      | —           | 16/5      |
| EEAS146/20      | . . . SLEEVE, 3/4" long  | QR      | —           | 16/24     |
| NY18067         | . . . STRAP, nylon   | QR      | —           | 16/22     |
| NY3255          | . . . STUD, nylon  | QR      | —           | 16/23     |
| 5CW/1047690     | . . . SWITCH, tumbler<br>Attaching parts for 5CW/1047690:—                               | 6       | —           | 16/40     |
| A32/B12         | . . . Screw, 4 BA round head   | 2       | —           | 16/34     |
| AGS2035/B       | . . . Washer, shakeproof   | 2       | —           | 16/35     |
| AS10512/C/1     | . . . SWITCH, tumbler  | 2       | —           |           |
| or              |  |         |             |           |
| AS10512/A/2     | . . . SWITCH, tumbler  | 2       | —           |           |
| XD778           | . . . SWITCH, tumbler (Pre Mod 5466)   | 1       | —           | 16/26     |
| AS10512/C/1     | . . . SWITCH, DP (Mod 5466)<br>Attaching parts for XD778:—                               | 1       | —           |           |
| A32/B12         | . . . Screw, 4 BA round head   | 2       | —           | 16/13     |
| AGS2035/B       | . . . Washer, shakeproof   | 2       | —           | 16/14     |
| D0701           | . . . SWITCH, push, type 'B'<br>Attaching parts for D0701:—                              | 2       | —           | 16/28     |
| AGS2001/A/1     | . . . Nut, stiff, 6 BA   | 4       | —           | 16/30     |
| A32/A32         | . . . Screw, 6 BA round head   | 4       | —           | 16/29     |
| XD778           | . . . SWITCH, tumbler  | 2       | —           |           |
| 5CW/4405754     | . . . SWITCH, magnetic relay, 9B, No.2   | 1       | —           | 16/11     |
| 5CW/6453        | . . . SWITCH, magnetic relay, 9B, No.2A<br>Attaching parts for 5CW/4405754 or 5CW/6453:— | 1       | —           | 16/12     |
| AGS2001/B/1     | . . . Nut, stiff, 4 BA   | 2       | —           | 16/20     |
| A32/B20         | . . . Screw, 4 BA round head   | 2       | —           | 16/3      |

R

R  
R

## ELECTRICAL

## ELECTRICAL EQUIPMENT IN FRONT FUSELAGE

| Part Number       | Description   | No. Off | Matl. Spec. | Plate No. |   |
|-------------------|---|---------|-------------|-----------|---|
|                   |   |         |             |           | 1 |
| HC294             | . . TAG, ring tongue  | 1       | -           | 16/32     |   |
| DP1003            | . . WASHER, 4 BA crinkle  | 1       | -           | 16/33     |   |
|                   | Attaching parts for EG7.81.1453:-   |         |             |           |   |
| R AGS2001/B/1     | . Nut, stiff, 4 BA  | 4       | -           | 16/42A    |   |
| A32/B12           | . Screw, 4 BA round head  | 4       | -           | 16/43     |   |
| 5X/9450403        | . PILLAR, fixing  | 2       | -           | 4/35      |   |
| EG7.81.2561       | . PLATE, stud   | 1       | -           | 18/25     |   |
| R -               | . PLUGS AND SOCKETS THROUGH PRESSURE BULKHEAD<br>(EG7.81.1181) (Pre Mod 5466)                               | -       | -           | 14/33     |   |
| R -               | . PLUGS AND SOCKETS THROUGH PRESSURE BULKHEAD<br>(EG7.81.5295) (Mod 5466)                                   | -       | -           |           |   |
| R -               | . ALTERNATIVES TO PLUG AND SOCKETS THROUGH<br>PRESSURE BULKHEAD (EG7.81.3477)<br>(Mod 4865)<br>Spares for:- | -       | -           |           |   |
| R UG30/U          | . . ADAPTER, straight (Mod 5466)  | 1       | -           |           |   |
| UG30C/U           | . . ADAPTER, straight   | 2       | -           | 14/14     |   |
| 508/1/41036       | . . CAP, protective   | 4       | -           | 14/34     |   |
| R 508/1/03444/003 | . . CAP, protective (Pre Mod 5466)  | 2       | -           | 14/35     |   |
| R 508/1/03444/003 | . . CAP, protective (Mod 5466)  | 4       | -           |           |   |
| Z22164            | . . CAP, plug screening, size 'A'   | 2       | -           | 14/26     |   |
| Z22167            | . . CAP, plug screening, size 'C'   | 2       | -           | 14/32     |   |
| R 6027-16-26PN    | . . CONNECTOR, jam nut (Mod 5466)   | 1       | -           | 14/45     |   |
| R 6027-16-26PB    | . . CONNECTOR, jam nut (Mod 5466)   | 1       | -           | 14/46     |   |
| R 6027-22-55PN    | . . CONNECTOR, jam nut (Mod 5466)   | 1       | -           | 14/47     |   |
| R 6027-14-12PN    | . . CONNECTOR, jam nut (Mod 5466)   | 1       | -           | 14/48     |   |
| R 6027-14-19PN    | . . CONNECTOR, jam nut (Mod 5466)   | 1       | -           | 14/49     |   |
| R 6027-18-32PN    | . . CONNECTOR, jam nut (Mod 5466)   | 1       | -           | 14/50     |   |
| R 6027-16-23PN    | . . CONNECTOR, jam nut (Mod 5466)   | 1       | -           | 14/51     |   |
| EA3.81.421        | . . GASKET  | 1       | -           | 14/10     |   |
| R CD4402K         | . . HOUSING, bung, size 'B' (Pre Mod 5466)<br>Attaching parts for CD4402K:-                                 | 1       | -           | 14/11     |   |
| A25/2C            | . . Bolt, 2 BA hex. head  | 6       | -           | 14/15     |   |
| AGS2002/C/1       | . . Nut, stiff, 2 BA  | 6       | -           | 14/16     |   |
| SP14/C            | . . Washer, 2 BA plain  | 6       | -           | 14/17     |   |
| -                 | . . INSTALLATION OF PRESSURE BUNG, SEE<br>SRIM DRG. SCSHQ12761)A2   | -       | -           |           |   |
| SCSHQ126-99344    | . . BUNG, pressure (SHRIM3932)  | -       | -           |           |   |
| SC95409/1         | . . LABEL (Mod 4926)  | 1       | -           |           |   |
| SC95409/2         | . . LABEL (Mod 4926)  | 1       | -           |           |   |
| R EG7.81.1167     | . . PLATE, plug (Pre Mod 5466)  | 1       | L72         | 14/2      |   |
| R EG7.81.5287     | . . PLATE, plug (Mod 5466)<br>Attaching parts for EG7.81.1167:-   | 1       | -           |           |   |
| A25/2B            | . . Bolt, 4 BA hex. head  | 32      | -           | 14/9      |   |
| SC95408           | . . PLATE, socket (Mod 4926)  | 2       | -           |           |   |
| 508/1/11432       | . . PLUG, size 'A'  | 1       | -           | 14/25     |   |
| 508/1/11440       | . . PLUG, size 'B'  | 2       | -           | 14/6      |   |
| 508/1/11437       | . . PLUG, size 'B'  | 1       | -           | 14/7      |   |
| 508/1/11443       | . . PLUG, size 'C'  | 2       | -           | 14/29     |   |
| 508/1/11447       | . . PLUG, size 'D'  | 1       | -           | 14/8      |   |
| 508/1/11450       | . . PLUG, size 'D'  | 7       | -           | 14/1      |   |
| WT40619           | . . PLUG, type 757  | 3       | -           | 14/21     |   |
| 508/1/40189/320   | . . PLUG/SOCKET, Mk.4, 12-way   | 2       | -           | 14/23     |   |
| 508/1/40189/321   | . . PLUG/SOCKET, Mk.4, 12-way   | 1       | -           | 14/18     |   |
| 508/1/40189/324   | . . PLUG/SOCKET, Mk.4, 18-way   | 1       | -           | 14/30     |   |
| 508/1/07182/220   | . . PLUG/SOCKET, Mk.7, 4-way  | 1       | -           | 14/20     |   |

A.P.101B-0417-3A

## ELECTRICAL

## ELECTRICAL EQUIPMENT IN FRONT FUSELAGE

| Part Number     | Description   | No. Off | Mtl. Spec. | Plate No. |   |   |   |   |   |   |
|-----------------|---|---------|------------|-----------|---|---|---|---|---|---|
|                 |   |         |            |           | 1 | 2 | 3 | 4 | 5 | 6 |
| 508/1/07189/222 | . . PLUG/SOCKET, Mk.7, 12-way   | 1       | -          | 14/22     |   |   |   |   |   |   |
| 508/1/07196/220 | . . PLUG/SOCKET, Mk.7, 25-way   | 1       | -          | 14/31     |   |   |   |   |   |   |
| CZ61889         | . . PLUG/SOCKET, type 303 (25 pin) (Mod 4865)                                   | 1       | -          |           |   |   |   |   |   |   |
| UK-AN           |   |         |            |           |   |   |   |   |   |   |
| 8000-20-29P     | . . PLUG, fixed, 17 way (Mod 5466)  | -       | -          | 14/52     |   |   |   |   |   |   |
| 10AD/0540015    | . . SOCKET, double ended  | 2       | -          | 14/43     |   |   |   |   |   |   |
| 508/1/40163/320 | . . SOCKET/PLUG, Mk.4 6-way   | 1       | -          | 14/19     |   |   |   |   |   |   |
| CZ61887         | . . SOCKET/PLUG, Mk.4, 12-way (SAS4745)   | 3       | -          | 14/28     |   |   |   |   |   |   |
| CZ61888         | . . SOCKET/PLUG, Mk.4, 18-way   | 1       | -          | 14/36     |   |   |   |   |   |   |
| CZ61889         | . . SOCKET/PLUG, Mk.4, 25-way   | 1       | -          | 14/27     |   |   |   |   |   |   |
| 508/1/07175/220 | . . SOCKET/PLUG, Mk.7, 18-way   | 1       | -          | 14/24     |   |   |   |   |   |   |
| BS115B-1B-1C/2  | . RELAY (Mod 4420)  | 1       | -          | 14/44     |   |   |   |   |   |   |
| AE5600-1        | . SEQUENCE-UNIT, undervoltage<br>Attaching parts for AE5600-1:-                 | 1       | -          | 18/18     |   |   |   |   |   |   |
| A31/B14         | . Screw, 4 BA cheese head   | 4       | -          | 18/19     |   |   |   |   |   |   |
| SP47/B          | . Washer, 4 BA spring   | 4       | -          | 18/20     |   |   |   |   |   |   |
| EA3.81.1165     | . STUD, mounting, assembly  | 2       | -          | 18/33     |   |   |   |   |   |   |
| 5CY/4376043     | . SUPPRESSOR, type 'P'<br>Attaching parts for 5CY/4376043:-                     | 1       | -          | 18/16     |   |   |   |   |   |   |
| A31/B20         | . Screw, 4 BA cheese head   | QR      | -          | 18/17     |   |   |   |   |   |   |
| EL26326         | . SUPPRESSOR, type B4 (Pre Mod 5466)  | 2       | -          | 18/21     |   |   |   |   |   |   |
| EL26326         | . SUPPRESSOR, type B4 (Mod 5466)<br>Attaching parts:-                           | 1       | -          | 18/21A    |   |   |   |   |   |   |
| A25/1E          | . Bolt, 1/4" BSF, hex head  | 2       | -          | 18/21B    |   |   |   |   |   |   |
| 27N/4526464     | . SWITCH, inertia, piston type, Mk.1<br>Attaching parts for 27N/4526464:-       | 2       | -          | 18/30     |   |   |   |   |   |   |
| AGS2001/C/1     | . Nut, stiff, 2 BA  | 8       | -          | 18/23     |   |   |   |   |   |   |
| EB6.81.2417     | . Piece, packing  | 2       | -          | 18/31     |   |   |   |   |   |   |
| SP15/C          | . Washer, 2 BA plain  | 4       | -          | 18/27     |   |   |   |   |   |   |
| 5CW/4405754     | . SWITCH, magnetic relay, type 9B2  | 1       | -          | 18/13     |   |   |   |   |   |   |
| 5CW/6453        | . SWITCH, magnetic relay, type 9B2A<br>Attaching parts for 5CW/6453:-           | 1       | -          | 18/14     |   |   |   |   |   |   |
| A31/B20         | . Screw, 4 BA cheese head   | QR      | -          | 18/15     |   |   |   |   |   |   |
| EA1.81.429      | . TERMINAL, earth   | 1       | -          | 18/22     |   |   |   |   |   |   |
| EG7.81.751      | . TRANSFORMER, AND MOUNTING, ASSEMBLY<br>Consisting of:-                        | 1       | -          | 18/24     |   |   |   |   |   |   |
| EG7.10.105      | . . BRACKET, mounting   | 1       | L72        | 18/32     |   |   |   |   |   |   |
| 5UB/1055250     | . . TRANSFORMER, type 'C', No.1<br>Attaching parts for 5UB/1055250:-            | 1       | -          | 18/26     |   |   |   |   |   |   |
| A102/1/2D       | . . Bolt, No.10 UNF   | 4       | -          | 18/40     |   |   |   |   |   |   |
| EG7.10.753      | . . Plate, radius   | 4       | L72        | 18/34     |   |   |   |   |   |   |
| SP55/C          | . Washer, 2 BA spring<br>Attaching parts for EG7.81.751:-                       | 4       | -          | 18/39     |   |   |   |   |   |   |
| A25/1E          | . Bolt, 1/4" BSF hex. head  | 4       | -          | 18/28     |   |   |   |   |   |   |
| SP13/E          | . Washer, 1/4" BSF plain  | 4       | -          | 18/29     |   |   |   |   |   |   |
| -               | . WIRING, DETONATOR, ASSEMBLY (EG7.81.59)<br>(Pre Mod 5466)                     | -       | -          | 22/32     |   |   |   |   |   |   |
| -               | . ALTS TO DETONATOR WIRING ASSEMBLY (EG7.81.5159)<br>(Mod 5466)<br>Spares for:- | -       | -          |           |   |   |   |   |   |   |
| 5J/9101543      | . . BATTERY, lead acid, 12V. 4 a.h.   | 2       | -          | 22/48     |   |   |   |   |   |   |
| EG7.81.2437     | . . BLOCK, FUSE, ASSEMBLY<br>Spares for:-                                       | 1       | -          | 22/27     |   |   |   |   |   |   |
| 703-1-00416     | . . BLOCK, fuse, 4-way<br>Attaching parts for EG7.81.2437:-                     | 1       | -          | 22/9      |   |   |   |   |   |   |
| A25/1B          | . Bolt, 4 BA hex. head  | 2       | -          | 22/25     |   |   |   |   |   |   |
| SP13/B          | . Washer, 4 BA spring   | 2       | -          | 22/24     |   |   |   |   |   |   |
| SP47/B          | . Washer, 4 BA spring   | 2       | -          | 22/23     |   |   |   |   |   |   |

R

## ELECTRICAL

## ELECTRICAL EQUIPMENT IN FRONT FUSELAGE

| Part Number        | Description                                  | No. Off | Matl. Spec. | Plate No. |
|--------------------|--|---------|-------------|-----------|
|                    |  |         |             |           |
| R WB/UN/1146/D/5/W | . . . . . BLOCK, terminal (Pre Mod 5466)     | 2       | -           | 22/22     |
| R 72544-025-0      | . . . . . BLOCK, terminal (Mod 5466)         | 1       | -           | 55/1      |
| WB/UN/1146/D/3/W   | . . . . . BLOCK, terminal, 6W                | 1       | -           | 22/49     |
| EG7.81.3111        | . . . . . BOX, FILTER, ASSEMBLY              | 11      | -           | 22/76     |
|                    | Spares for:                                  |         |             |           |
| EG7.81.3125        | . . . . . COVER, assembly                    | 1       | -           | 22/79     |
|                    | Spares for:                                  |         |             |           |
| EEAS250/6          | . . . . . BOLT, special                      | 4       | S21         | 22/78     |
| STEPHENSON         |  |         |             |           |
| MILLS              | . . . . . STRIP, Tecknit, 1/4" dia, No.31103 | QR      | -           | 22/83     |
| EB2.81.1525        | . . . . . WASHER, retaining                  | 4       | L72         | 22/80     |
| SP13/B             | . . . . . WASHER, 4BA plain                  | 4       | -           | 22/77     |
| EG7.81.3113        | . . . . . MODULE, ASSEMBLY                   | 1       | -           | 22/58     |
|                    | Spares for:                                  |         |             |           |
| EG7.81.1571        | . . . . . BLOCK, terminal                    | 1       | BS2572      | 22/70     |
|                    | Attaching parts for EG7.81.1571:             |         |             |           |
| AGS2002/C/4        | . . . . . Nut, stiff, 2BA                    | 12      | -           | 22/61     |
| EG7.81.3197        | . . . . . Screw, terminal                    | 12      | BSS249      | 22/68     |
| A43/B8             | . . . . . Screw, 4BA cheese head             | 12      | -           | 22/67     |
| SP25/C             | . . . . . Washer, 2BA plain                  | 8       | -           | 22/62     |
| DP1003             | . . . . . Washer, 4BA crinkle                | 12      | -           | 22/69     |
| WB/UN/1146/S/2/W   | . . . . . BLOCK, terminal, 2-way             | 1       | -           | 22/82     |
| EG7.81.1523        | . . . . . BRACKET, mounting                  | 1       | L72         | 22/75     |
|                    | Attaching parts for EG7.81.1523:             |         |             |           |
| AGS2002/B/4        | . . . . . Nut, stiff, 4BA                    | 2       | -           | 22/60     |
| A33/B12            | . . . . . Screw, 4BA c'sk head               | 2       | -           | 22/66     |
| SP15/B             | . . . . . Washer, 4BA plain                  | 2       | -           | 22/63     |
| UNINYVIN 20        | . . . . . CABLE                              | QR      | -           | 22/64     |
| EG7.81.1531        | . . . . . CHASSIS, ASSEMBLY                  | 1       | -           | 22/46     |
|                    | Spares for:                                  |         |             |           |
| 10W/0113276        | . . . . . RESISTOR, 15 ohms, 6W              | 8       | -           | 22/57     |
| 10H/0120202        | . . . . . TERMINAL, pattern 8/A              | 8       | -           | 22/42     |
| WB/NY/1110/B/2     | . . . . . COVER, terminal block              | 1       | -           | 22/81     |
| 1215-000           | . . . . . FILTER, suppression                | 2       | -           | 22/74     |
| or                 |  |         |             |           |
| 1215-025           | . . . . . FILTER, suppression                | 2       | -           |           |
| or                 |  |         |             |           |
| 9215-300-0025      | . . . . . FILTER, suppression                | 2       | -           |           |
| WB/1114/28         | . . . . . PILLAR, fixing                     | 2       | -           | 22/72     |
| EF7.81.3029        | . . . . . RESISTOR, assembly                 | 2       | -           | 22/71     |
| WB/1114/23         | . . . . . SPACER                             | 2       | -           | 22/73     |

## ELECTRICAL

## ELECTRICAL EQUIPMENT IN FRONT FUSELAGE

| Part Number            | Description                         | No. Off | Matl. Spec. | Plate No. |
|------------------------|-------------------------------------|---------|-------------|-----------|
|                        |                                     |         |             |           |
| EG7.81.1585            | STRIP, connector                    | 1       | BS265       | 22/65     |
| HC294                  | TAG, ring tongue                    | 2       | -           | 22/84     |
| AS2810/4/070           | TUBE, distance                      | 4       | -           | 22/41     |
|                        | Attaching parts for AS2810/4/070:-  |         |             |           |
| A32/B40                | Screw, 4 BA round head              | 4       | -           | 22/45     |
| AGS2037/B              | Washer, shakeproof                  | 4       | -           | 22/59     |
|                        | Attaching parts for EG7.81.3111:-   |         |             |           |
| EEAS552/6              | Bobbin, 2 BA                        | 4       | L65         | 22/53     |
| EEAS552/3              | Bobbin, 2 BA                        | 4       | L65         | 22/54     |
| A25/1C                 | Bolt, 2 BA hex. head                | 4       | -           | 22/29     |
| AS1246/1C              | Bolt, 2 BA round head               | 8       | -           | 22/28     |
| AS1248/1C              | Bolt, 2 BA mushroom head            | 12      | -           | 22/19     |
| AGS2001/C/1            | Nut, stiff, 2 BA                    | 36      | -           | 22/20     |
| A44/C20                | Screw, 2 BA round head              | 2       | -           | 22/55     |
| A44/C40                | Screw, 2 BA round head              | 8       | -           | 22/56     |
| SP15/C                 | Washer, 2 BA plain                  | 5       | -           | 22/21     |
| EG7.81.3139            | BOX, FILTER, ASSEMBLY               | 1       | -           | 23/1      |
|                        | Spares for:-                        |         |             |           |
| EG7.81.3143            | COVER, ASSEMBLY                     | 1       | -           | 23/6      |
|                        | Spares for:-                        |         |             |           |
| EEAS250/6              | BOLT, special                       | 4       | S21         | 23/25     |
| STEPHENSON MILLS       | STRIP, Tecknit, 1/4" dia., No.31103 | QR      | -           | 23/36     |
| EB2.81.1525            | WASHER, retaining                   | 4       | L72         | 23/32     |
| SP13/B                 | WASHER, 4 BA plain                  | 4       | -           | 23/17     |
| EG7.81.3141            | MODULE, ASSEMBLY                    | 1       | -           | 23/29     |
|                        | Spares for:-                        |         |             |           |
| EG7.81.1581            | BLOCK, terminal                     | 1       | BS2572      | 23/7      |
|                        | Attaching parts for EG7.81.1581:-   |         |             |           |
| AGS2002/C/4            | Nut, stiff, 2 BA                    | 2       | -           | 23/27     |
| EG7.81.3197            | Screw, terminal                     | 2       | BSS249      | 23/36     |
| A43/B8                 | Screw, 4 BA cheese head             | 2       | -           | 23/18     |
| SP25/C                 | Washer, 2 BA plain                  | 2       | -           | 23/28     |
| HADDON & STOKES DP1003 | Washer                              | 2       | -           | 23/11     |
| WARD BROOKE            |                                     |         |             |           |
| WB/UN/1146/S/2/W       | BLOCK, terminal, 2-way              | 1       | -           | 23/34     |
| EG7.81.1523            | BRACKET, mounting                   | 1       | L72         | 23/23     |
|                        | Attaching parts for EG7.81.1523:-   |         |             |           |
| AGS2001/B/1            | Nut, stiff, 4 BA                    | 2       | -           | 23/2      |
| A33/B12                | Screw, 4 BA c'sk head               | 2       | -           | 23/14     |
| SP15/B                 | Washer, 4 BA plain                  | 2       | -           | 23/4      |
| WARD BROOKE            |                                     |         |             |           |
| WB/NY1110/B/2          | COVER, terminal block               | 1       | -           | 23/37     |
| EIRE ELECTRONICS       |                                     |         |             |           |
| 1215/000               | FILTER, suppression                 | 2       | -           | 23/19     |
| or                     |                                     |         |             |           |
| 1215/025               | FILTER, suppression                 | 2       | -           |           |
| or                     |                                     |         |             |           |
| 9215-300-0025          | FILTER, suppression                 | 2       | -           |           |

## ELECTRICAL

## ELECTRICAL EQUIPMENT IN FRONT FUSELAGE

| Part Number   | 1 2 3 4 5 6   | Description   | No.<br>Off                           | Mtl. Spec.                        | Plate No.  |
|---|---|---|--------------------------------------|-----------------------------------|--|
|   |   |   |                                      |                                   |  |
| AGS2001/B/1<br>WARD BROOKE<br>WB/1114/2B<br>EG7.81.3029<br>A32/B40<br>WARD BROOKE<br>WB/1114/23<br>HC294<br>AS2810/A/070<br>AGS2036/B | . . . . .   | NUT, stiff, 4 BA<br>PILLAR, fixing<br>RESISTOR, assembly<br>SCREW, round head, 4 BA<br>SPACER<br>TAG, ring tongue<br>TUBE, distance<br>WASHER, shakeproof, 4 BA<br>Attaching parts for EG7.81.3139:—  | 2<br>2<br>2<br>2<br>2<br>2<br>2<br>2 | —<br>—<br>—<br>—<br>—<br>L72<br>— | 23/12<br>23/20<br>23/16<br>23/8<br>23/21<br>23/30<br>23/3<br>23/10 |
| A25/1C<br>SP15/C  | . . .<br>. . .  | Bolt, 2 BA hex. head<br>Washer, 2 BA plain  | 4<br>4                               | —<br>—                            | 23/13<br>23/5  |
| EG7.81.3373   | . . .   | BOX, FILTER, NON-FERROUS, ASSEMBLY<br>Spares for:—  | 1                                    | —                                 | 22/15  |
| EG7.81.3379   | . . .   | LID, ASSEMBLY<br>Spares for:—   | 1                                    | —                                 | 22/7   |
| EG7.81.3389<br>STEPHENSON<br>MILLS<br>No. 31103<br>EB2.81.1525<br>AGS2037/B<br>EG7.81.3375  | . . . . .<br>. . . . .<br>. . . . .<br>. . . . .<br>. . . . .<br>. . . . .<br>. . . . . | BOLT, special, 4 BA<br>STRIP, 'Tecknit', 1/4" dia<br>WASHER, retaining, 4 BA<br>WASHER, shakeproof, 4 BA<br>MODULE, ASSEMBLY<br>Spares for this assembly are identical with those for assembly Pt. No. EG7.81.3113 on page E98 except for the following deletion and addition<br>Delete:— | 4<br>QR<br>4<br>4<br>1               | Titanium<br>—<br>L72<br>—<br>—    | 22/6<br>22/8<br>22/11<br>22/5<br>22/2                              |
| EG7.81.1531   | . . . . .   | CHASSIS, ASSEMBLY<br>Add:—  | 1                                    | —                                 | 22/46  |
| EG7.81.3391   | . . . . .   | CHASSIS, ASSEMBLY<br>Spares for:—   | 1                                    | —                                 | 22/3   |
| R<br>R<br>10W/113276<br>10H/120202  | . . . . .<br>. . . . .  | RESISTOR, 15 ohms, 6w<br>TERMINAL, pattern 8/A<br>Attaching parts for EG7.81.3373:—   | 8<br>8                               | —<br>—                            | 22/4<br>22/1   |
| EEAS552/1<br>A44/C40<br>SP15/C  | . . .<br>. . .<br>. . .   | Bobbin, 2 BA<br>Screw, 2 BA round head<br>Washer, 2 BA plain  | 4<br>4<br>4                          | —<br>—<br>—                       | 22/16<br>22/17<br>22/18  |
| EG7.81.3251   | . . .   | BOX, JUNCTION, ASSEMBLY<br>Spares for:—   | 1                                    | —                                 | 22/31  |
| SIS1564   | . . .   | BLOCK, terminal, 2-way<br>Attaching parts for SIS 1564:—  | 1                                    | —                                 | 22/12  |
| AGS2001/A/1<br>EG7.81.3261  | . . .<br>. . .  | Nut, stiff, 6 BA<br>Piece, packing  | 2<br>1                               | —<br>BSS2966<br>Type 2A           | 22/14<br>22/13   |
| A32/A28   | . . .   | Screw, 6 BA round head  | 2                                    | —                                 | 22/10  |

## ELECTRICAL

## ELECTRICAL EQUIPMENT IN FRONT FUSELAGE

| Part Number     | Description  | No. Off | Matl. Spec. | Plate No. |
|-----------------|--|---------|-------------|-----------|
|                 |  |         |             |           |
| EG7.81.3253     | . . . . CLAMP  | 1       | -           | 22/30     |
| EF3.81.13973    | . . . . COVER, ASSEMBLY  | 1       | -           | 22/23     |
|                 | Consisting of: -   |         |             |           |
| EEAS250/1       | . . . . BOLT, captive  | 4       | -           | 22/38     |
| EF3.81.13975    | . . . . COVER  | 1       | -           | 22/34     |
| EF3.81.14855    | . . . . GASKET   | 1       | -           | 22/26     |
| EB2.81.1525     | . . . . WASHER, tapped   | 4       | -           | 22/39     |
| SP47/B          | . . . . WASHER, 4 BA spring  | 4       | -           | 22/40     |
|                 | Attaching parts for EG7.81.3251: -   |         |             |           |
| A25/1C          | . . . Bolt, 2 BA hex. head   | 2       | -           | 22/35     |
| AGS2001/C/1     | . . . Nut, stiff, 2 BA   | 2       | -           | 22/36     |
| SP15/C          | . . . Washer, 2 BA plain   | 2       | -           | 22/37     |
| EG7.81.2237     | . . . BRACKET, mounting, assembly  | 1       | -           | 23/9      |
|                 | Attaching parts for EG7.81.2237: -   |         |             |           |
| A25/1C          | . . . Bolt, 2 BA hex. head   | 4       | -           | 23/15     |
| AGS2001/C/1     | . . . Nut, stiff, 2 BA   | 4       | -           | 23/38     |
| SP15/C          | . . . Washer, 2 BA plain   | 4       | -           | 23/22     |
| R EG7.81.5301   | . . . BRACKET (Mod 5466)   | 1       | -           | 55/2      |
| EG7.81.2261     | . . . CABLE, ASSEMBLY, F48, FROM PRESSURE BULKHEAD TO RESISTANCE UNIT, GROUP | 1       | -           |           |
|                 | Consisting of: -   |         |             |           |
| †               | . . . . CABLE, uninyvin 12   | QR      | -           |           |
| 508/1/07778/003 | . . . . CLAMP, cable   | 1       | -           |           |
| 508/2/07720/300 | . . . . GASKET, union  | 1       | -           |           |
| EEAS276/B       | . . . . OUTLET, adapter  | 1       | S94         |           |
| 508/2/07709/300 | . . . . RING, sealing  | 1       | -           |           |
| 508/2/07756/007 | . . . . RING, thrust   | 1       | -           |           |
| EEAS146/12      | . . . . SLEEVE, 3/4" long  | QR      | -           |           |
| EEAS146/2       | . . . . SLEEVE, 1" long  | QR      | -           |           |
| 508/1/03950     | . . . . SOCKET, size B   | 1       | -           |           |
| HC314/A         | . . . . TAG, ring tongue   | 2       | -           |           |
| EG7.81.2263     | . . . CABLE, ASSEMBLY, N48, FROM RESISTANCE UNIT TO PRESSURE BULKHEAD, GROUP | 1       | -           |           |
|                 | Consisting of: -   |         |             |           |
| †               | . . . . CABLE, uninyvin 12   | QR      | -           |           |
| 508/1/07778/003 | . . . . CLAMP, cable   | 1       | -           |           |
| 508/2/07720/300 | . . . . GASKET, union  | 1       | -           |           |
| EEAS276/B       | . . . . OUTLET, adapter  | 1       | S94         |           |
| 508/2/07709/300 | . . . . RING, sealing  | 1       | -           |           |
| 508/2/07756/007 | . . . . RING, thrust   | 1       | -           |           |

ELECTRICAL

ELECTRICAL EQUIPMENT IN FRONT FUSELAGE

| Part Number | Description<br>1 2 3 4 5 6 | No.<br>Off | Matl. Spec. | Plate No. |
|-------------|----------------------------|------------|-------------|-----------|
|             |                            |            |             |           |

ELECTRICAL EQUIPMENT IN FRONT FUSELAGE

| Ref. No.                 | Part No.        | Description |   |   |   |   |   |   | No. off | Mati. Spec. | Cl. of Equip. M.R. L.M. | Fig. and Index |  |
|--------------------------|-----------------|-------------|---|---|---|---|---|---|---------|-------------|-------------------------|----------------|--|
|                          |                 | 1           | 2 | 3 | 4 | 5 | 6 | 7 |         |             |                         |                |  |
| 5X/4500104<br>5X/1930219 | EEAS.146/12     |             |   |   |   |   |   |   | QR      | -           | -                       |                |  |
|                          | EEAS.146/6      |             |   |   |   |   |   |   | QR      | -           | -                       |                |  |
|                          | 508/1/03972     |             |   |   |   |   |   |   | 1       | -           | C                       |                |  |
|                          | HC.314/A        |             |   |   |   |   |   |   | 2       | -           | C                       |                |  |
|                          | E.G7.81.2266    |             |   |   |   |   |   |   | 1       | -           | -                       |                |  |
|                          |                 |             |   |   |   |   |   |   |         |             |                         |                |  |
|                          |                 |             |   |   |   |   |   |   |         |             |                         |                |  |
|                          |                 |             |   |   |   |   |   |   |         |             |                         |                |  |
|                          |                 |             |   |   |   |   |   |   |         |             |                         |                |  |
|                          |                 |             |   |   |   |   |   |   |         |             |                         |                |  |
|                          |                 |             |   |   |   |   |   |   |         |             |                         |                |  |
|                          |                 |             |   |   |   |   |   |   |         |             |                         |                |  |
|                          |                 |             |   |   |   |   |   |   |         |             |                         |                |  |
|                          |                 |             |   |   |   |   |   |   |         |             |                         |                |  |
| 5E/9993758               |                 |             |   |   |   |   |   |   | QR      | -           | C                       |                |  |
| 10AD/0970294             | 508/1/07778/003 |             |   |   |   |   |   |   | 1       | -           | C                       |                |  |
| 10AR/9472444             | 508/2/07720/300 |             |   |   |   |   |   |   | 1       | -           | C                       |                |  |
| 26DK/12101               | EEAS.276/B      |             |   |   |   |   |   |   | 1       | S94         | C                       |                |  |
| 10AS/1051296             | 508/2/07709/300 |             |   |   |   |   |   |   | 1       | -           | C                       |                |  |
| 10H/9995082              | 508/2/07756/007 |             |   |   |   |   |   |   | 1       | -           | C                       |                |  |
|                          | EEAS.146/12     |             |   |   |   |   |   |   | QR      | -           | -                       |                |  |
|                          | EEAS.146/2      |             |   |   |   |   |   |   | QR      | -           | -                       |                |  |
|                          | EEAS.146/6      |             |   |   |   |   |   |   | QR      | -           | -                       |                |  |
| 5X/4500082               | 508/1/03950     |             |   |   |   |   |   |   | 1       | -           | C                       |                |  |
| 5X/1930219               | HC.314/A        |             |   |   |   |   |   |   | 2       | -           | C                       |                |  |
| 5X/4491659               | HC.4210         |             |   |   |   |   |   |   | 2       | -           | C                       |                |  |
|                          | E.G7.81.2267    |             |   |   |   |   |   |   | 1       | -           | -                       |                |  |
|                          |                 |             |   |   |   |   |   |   |         |             |                         |                |  |
|                          |                 |             |   |   |   |   |   |   |         |             |                         |                |  |
|                          |                 |             |   |   |   |   |   |   |         |             |                         |                |  |
|                          |                 |             |   |   |   |   |   |   |         |             |                         |                |  |
|                          |                 |             |   |   |   |   |   |   |         |             |                         |                |  |
|                          |                 |             |   |   |   |   |   |   |         |             |                         |                |  |
|                          |                 |             |   |   |   |   |   |   |         |             |                         |                |  |
|                          |                 |             |   |   |   |   |   |   |         |             |                         |                |  |
|                          |                 |             |   |   |   |   |   |   |         |             |                         |                |  |
|                          |                 |             |   |   |   |   |   |   |         |             |                         |                |  |
| 5E/9993758               | †               |             |   |   |   |   |   |   | QR      | -           | C                       |                |  |
| 10AD/0970294             | 508/1/07778/003 |             |   |   |   |   |   |   | 1       | -           | C                       |                |  |
| 10AR/9472444             | 508/2/07720/300 |             |   |   |   |   |   |   | 1       | -           | C                       |                |  |
| 26DK/12101               | EEAS.276/B      |             |   |   |   |   |   |   | 1       | S94         | C                       |                |  |
| 10AS/1051296             | 508/2/07709/300 |             |   |   |   |   |   |   | 1       | -           | C                       |                |  |
| 10H/9995082              | 508/2/07756/007 |             |   |   |   |   |   |   | 1       | -           | C                       |                |  |

ELECTRICAL

ELECTRICAL EQUIPMENT IN FRONT FUSELAGE

| Ref. No.                                       | Part No.    | Description  |   |   |   |   |   |   | No. off | Mntl. Spec. | Cl. of Equip. M.R. L.M. | Fig. and Index |
|--|-------------|--------------|---|---|---|---|---|---|---------|-------------|-------------------------|----------------|
|  |             | 1            | 2 | 3 | 4 | 5 | 6 | 7 |         |             |                         |                |
| R<br>R<br>R<br>R<br>R<br>R<br>R<br>R<br>R<br>R | EEAS.146/12 |              |   |   |   |   |   |   | QR      | -           | -                       |                |
|  | EEAS.146/2  |              |   |   |   |   |   |   | QR      | -           | -                       |                |
|  | EEAS.146/6  |              |   |   |   |   |   |   | QR      | -           | -                       |                |
|  | 5X/4500104  | 508/1/03872  |   |   |   |   |   |   | 1       | -           | C                       |                |
|  | 5X/1930219  | HC.314/A     |   |   |   |   |   |   | 2       | -           | C                       |                |
|  | 5X/9450380  | HC.312       |   |   |   |   |   |   | 2       | -           | C                       |                |
|  |             | E.G7.81.3427 |   |   |   |   |   |   | 1       | -           | -                       |                |
|  |             |              |   |   |   |   |   |   |         |             |                         |                |
|  |             |              |   |   |   |   |   |   |         |             |                         |                |
|  |             |              |   |   |   |   |   |   |         |             |                         |                |
| R<br>R<br>R<br>R<br>R<br>R<br>R<br>R<br>R<br>R | 5E/9993758  | †            |   |   |   |   |   |   | QR      | -           | C                       |                |
|  | EEAS.146/12 |              |   |   |   |   |   |   | QR      | -           | -                       |                |
|  | EEAS.146/6  |              |   |   |   |   |   |   | QR      | -           | -                       |                |
|  | 5X/9450380  | HC.312       |   |   |   |   |   |   | 1       | -           | C                       |                |
|  | 5X/1930219  | HC.314A      |   |   |   |   |   |   | 2       | -           | C                       |                |
|  |             | E.G7.81.3429 |   |   |   |   |   |   | 1       | -           | -                       |                |
|  |             |              |   |   |   |   |   |   |         |             |                         |                |
|  |             |              |   |   |   |   |   |   |         |             |                         |                |
|  |             |              |   |   |   |   |   |   |         |             |                         |                |
|  |             |              |   |   |   |   |   |   |         |             |                         |                |
| R<br>R<br>R<br>R<br>R<br>R<br>R<br>R<br>R<br>R | 5E/9993758  | †            |   |   |   |   |   |   | QR      | -           | C                       |                |
|  | EEAS.146/2  |              |   |   |   |   |   |   | QR      | -           | -                       |                |
|  | EEAS.146/6  |              |   |   |   |   |   |   | QR      | -           | -                       |                |
|  | EEAS.146/12 |              |   |   |   |   |   |   | QR      | -           | -                       |                |
|  | EEAS.146/2  |              |   |   |   |   |   |   | QR      | -           | -                       |                |
|  | EEAS.146/6  |              |   |   |   |   |   |   | QR      | -           | -                       |                |
|  | EEAS.146/12 |              |   |   |   |   |   |   | QR      | -           | -                       |                |
|  | EEAS.146/2  |              |   |   |   |   |   |   | QR      | -           | -                       |                |
|  | 5X/9450380  | HC.312       |   |   |   |   |   |   | 4       | -           | C                       |                |
|  | 5X/1930219  | HC.314A      |   |   |   |   |   |   | 2       | -           | C                       |                |
| 5X/4491841                                     | HC.314D     |              |   |   |   |   |   | 2 | -       | C           |                         |                |
| 5X/9450224                                     | HC.510      |              |   |   |   |   |   | 4 | -       | C           |                         |                |

## CONTROLS

## ELECTRICAL EQUIPMENT IN FRONT FUSELAGE

| Part Number   | 1 2 3 4 5 6 | Description  | No. | Matl. Spec. | Plate No. |
|---------------|-------------|--|-----|-------------|-----------|
|               |             |  | Off |             |           |
| EG7.81.2273   |             | . . . CABLE, ASSEMBLY, N49C, FROM NAVIGATOR'S<br>JETTISON SWITCH TO A.E.O.'s<br>JETTISON SWITCH, GROUP<br>Consisting of: - | 1   | -           |           |
| R UNINYVIN 12 |             | . . . CABLE, uninyvin 12   | QR  | -           |           |
| EEAS146/12    |             | . . . SLEEVE, 3/4" long  | QR  | -           |           |
| EEAS146/2     |             | . . . SLEEVE, 1" long  | QR  | -           |           |
| HC314/A       |             | . . . TAG, ring tongue   | 8   | -           |           |
| EG7.81.2299   |             | . . . CABLE, ASSEMBLY, N527, FROM DETONATOR<br>BOX TO TAKE-OFF PANEL AND<br>EARTH POINT E27, GROUP<br>Consisting of: -     | 1   | -           |           |
| R UNINYVIN 12 |             | . . . CABLE, uninyvin 12   | QR  | -           |           |
| EEAS146/12    |             | . . . SLEEVE, 3/4" long  | QR  | -           |           |
| EEAS146/6     |             | . . . SLEEVE, 1" long  | QR  | -           |           |
| HC312         |             | . . . TAG, ring tongue   | 2   | -           |           |
| HC314/A       |             | . . . TAG, ring tongue   | 4   | -           |           |
| HC510         |             | . . . TAG, quick release   | 2   | -           |           |
| EG7.81.2301   |             | . . . CABLE, ASSEMBLY, N528, FROM DETONATOR<br>BOX TO DETONATOR BOX,<br>GROUP<br>Consisting of: -                          | 1   | -           |           |
| R UNINYVIN 12 |             | . . . CABLE, uninyvin 12   | QR  | -           |           |
| EEAS146/12    |             | . . . SLEEVE, 3/4" long  | QR  | -           |           |
| EEAS146/6     |             | . . . SLEEVE, 1" long  | QR  | -           |           |
| HC314/A       |             | . . . TAG, ring tongue   | 4   | -           |           |
| EG7.81.2303   |             | . . . CABLE, ASSEMBLY, N529, FROM DETONATOR<br>BOX TO DETONATOR BOX,<br>GROUP<br>Consisting of: -                          | 1   | -           |           |
| R UNINYVIN 12 |             | . . . CABLE, uninyvin 12   | QR  | -           |           |
| EEAS146/12    |             | . . . SLEEVE, 3/4" long  | QR  | -           |           |
| EEAS146/6     |             | . . . SLEEVE, 1" long  | QR  | -           |           |
| HC314/A       |             | . . . TAG, ring tongue   | 4   | -           |           |

## ELECTRICAL

## ELECTRICAL EQUIPMENT IN FRONT FUSELAGE

| Part Number   | Description   | No. Off | Matl. Spec. | Plate No. |
|---------------|---|---------|-------------|-----------|
|               |   |         |             |           |
| R EG7.81.2305 | . . . CABLE, ASSEMBLY, N530, FROM DETONATOR BOX TO DETONATOR BOX, GROUP (Pre Mod 5466)<br>Consisting of:—                                       | 1       | —           |           |
| R UNINYVIN 12 | . . . . CABLE, uninyvin 12  | QR      | —           |           |
| EEAS146/12    | . . . . SLEEVE, 3/4" long   | QR      | —           |           |
| EEAS146/6     | . . . . SLEEVE, 1" long   | QR      | —           |           |
| HC314/A       | . . . . TAG, ring tongue  | 4       | —           |           |
| R EG7.81.5201 | . . . CABLE, ASSEMBLY, N530 (Mod 5466)  | 1       | —           |           |
| R EG7.81.2307 | . . . CABLE, ASSEMBLY, N531, FROM DETONATOR BOX TO DETONATOR BOX GROUP (Pre Mod 5466)<br>Consisting of:—  | 1       | —           |           |
| R UNINYVIN 12 | . . . . CABLE, uninyvin 12  | QR      | —           |           |
| EEAS146/12    | . . . . SLEEVE, 3/4" long   | QR      | —           |           |
| EEAS146/6     | . . . . SLEEVE, 1" long   | QR      | —           |           |
| HC314/A       | . . . . TAG, ring tongue  | 4       | —           |           |
| R EG7.81.5203 | . . . CABLE, ASSEMBLY, N531 (Mod 5466)  | 1       | —           |           |
| R EG7.81.2309 | . . . CABLE, ASSEMBLY, N532, FROM NAVIGATOR'S JETTISON SWITCH PANEL TO DETONATOR BOXES AND MICROSEAL SWITCHES, PORT, GROUP<br>Consisting of:—   | 1       | —           |           |
| R UNINYVIN 12 | . . . . CABLE, uninyvin 12  | QR      | —           |           |
| EEAS146/12    | . . . . SLEEVE, 3/4" long   | QR      | —           |           |
| EEAS146/2     | . . . . SLEEVE, 1" long   | QR      | —           |           |
| EEAS146/00    | . . . . SLEEVE, 1" long   | QR      | —           |           |
| NY18067       | . . . . STRAP, nylon  | QR      | —           |           |
| NY3255        | . . . . STUD, nylon   | QR      | —           |           |
| HC314/A       | . . . . TAG, ring tongue  | 16      | —           |           |
| HC316/A       | . . . . TAG, ring tongue  | 8       | —           |           |
| R EG7.81.2311 | . . . CABLE, ASSEMBLY, N533, FROM A.E.O.'s JETTISON SWITCH PANEL TO DETONATOR BOXES AND MICROSEAL SWITCHES, STARBOARD, GROUP<br>Consisting of:— | 1       | —           |           |
| R UNINYVIN 12 | . . . . CABLE, uninyvin 12  | QR      | —           |           |
| EEAS146/12    | . . . . SLEEVE, 3/4" long   | QR      | —           |           |

ELECTRICAL

ELECTRICAL EQUIPMENT IN FRONT FUSELAGE

| Part Number  | Description  | No. Off | Matl. Spec. | Plate No. |
|--------------|--|---------|-------------|-----------|
|              |  |         |             |           |
| EEAS146/2    | . . . SLEEVE, 1" long  | QR      | -           |           |
| EEAS146/00   | . . . SLEEVE, 1" long  | QR      | -           |           |
| NY18067      | . . . STRAP, nylon   | QR      | -           |           |
| NY3255       | . . . STUD, nylon  | QR      | -           |           |
| HC314/A      | . . . TAG, ring tongue   | 16      | -           |           |
| HC316/A      | . . . TAG, ring tongue   | 8       | -           |           |
| EG7.81.2313  | . . . CABLE, ASSEMBLY, N534, FROM DETONATOR BOX TO DETONATOR BOX, GROUP  | 1       | -           |           |
|              | Consisting of:   |         |             |           |
| R 5E/9993758 | . . . CABLE, uninyvin  | QR      | -           |           |
| EEAS146/12   | . . . SLEEVE, 3/4" long  | QR      | -           |           |
| EEAS146/6    | . . . SLEEVE, 1" long  | QR      | -           |           |
| HC314/A      | . . . TAG, ring tongue   | 4       | -           |           |
| EG7.81.2315  | . . . CABLE, ASSEMBLY, N535, FROM DETONATOR BOX TO DETONATOR BOX, GROUP  | 1       | -           |           |
|              | Consisting of:   |         |             |           |
| R 5E/9993758 | . . . CABLE, uninyvin 12   | QR      | -           |           |
| EEAS146/12   | . . . SLEEVE, 3/4" long  | QR      | -           |           |
| EEAS146/6    | . . . SLEEVE, 1" long  | QR      | -           |           |
| HC314/A      | . . . TAG, ring tongue   | 4       | -           |           |
| EG7.81.2507  | . . . CABLE, ASSEMBLY, E24, FROM TERMINAL BLOCK NAVIGATOR'S JETTISON SWITCH POSITION TO EARTH POINT E24, GROUP | 1       | -           |           |
|              | Consisting of:   |         |             |           |
| R 5E/9993758 | . . . CABLE, uninyvin 12   | QR      | -           |           |
| EEAS146/12   | . . . SLEEVE, 3/4" long  | QR      | -           |           |
| EEAS146/6    | . . . SLEEVE, 1" long  | QR      | -           |           |
| HC312        | . . . TAG, ring tongue   | 2       | -           |           |
| HC314/A      | . . . TAG, ring tongue   | 2       | -           |           |

## ELECTRICAL

## ELECTRICAL EQUIPMENT IN FRONT FUSELAGE

| Part Number     | Description  | No. Off | Mtl. Spec. | Plate No. |
|-----------------|--|---------|------------|-----------|
|                 |  |         |            |           |
| EG7.81.3415     | CABLE, ASSEMBLY, N541, FROM A.E.O.'s JETTISON SWITCH UNIT TO A.E.O.'s PANEL STRUCTURE, GROUP (MOD.4465)<br>Consisting of:                | 1       | -          |           |
| 5E/9993758      | CABLE, uninyvin 12   | QR      | -          |           |
| HT75-1/2        | SLEEVE, Helsyn, 150 white, 1/2" long   | 2       | -          |           |
| EEAS146/12      | SLEEVE, 3/4" long  | QR      | -          |           |
| EEAS146/2       | SLEEVE, 1" long  | QR      | -          |           |
| HC314/A         | TAG, ring tongue   | 4       | -          |           |
| HC314/D         | TAG, ring tongue   | 4       | -          |           |
| EG7.81.3417     | CABLE, ASSEMBLY, N542, FROM NAVIGATOR'S JETTISON SWITCH AND MASTER SWITCH TO TERMINAL BLOCK, FRAME 8, GROUP (MOD.4465)<br>Consisting of: | 1       | -          |           |
| 5E/9993758      | CABLE, uninyvin 12   | QR      | -          |           |
| EEAS146/12      | SLEEVE, 3/4" long  | QR      | -          |           |
| EEAS146/2       | SLEEVE, 1" long  | QR      | -          |           |
| HC314/A         | TAG, ring tongue   | 6       | -          |           |
| HC314/D         | TAG, ring tongue   | 6       | -          |           |
| EG7.81.3267     | CABLE, flexible, assembly (Pre Mod.5267)   | 1       | -          |           |
| EG7.81.4021     | CABLE, flexible, assembly (Mod.5267)   | 1       | -          |           |
| AGS1600/B       | CABLE-END, eye type  | 1       | -          |           |
| EG7.81.2373     | CHANNEL, mounting, assembly<br>Attaching parts for EG7.81.2373:  | 1       | -          | 23/41     |
| A25/1C          | Bolt, 2BA hex. head  | 6       | -          | 23/33     |
| AGS2001/C/1     | Nut, stiff, 2BA  | 6       | -          | 23/42     |
| SP15/C          | Washer, 2BA plain  | 6       | -          | 23/39     |
| EB7.81.1305     | CLAMP, half, assembly<br>Attaching parts for EB7.81.1305:  | 1       | -          | 24/35     |
| A25/1C          | Bolt, 2BA hex. head  | 2       | -          | 23/24     |
| AGS2001/C/1     | Nut, stiff, 2BA  | 2       | -          | 23/40     |
| SP16C           | Washer, 2BA plain  | 2       | -          | 23/31     |
| WB/NY/1110/B8   | COVER, terminal block  | 1       | -          | 22/50     |
| R WB/NY/1110/B9 | COVER, terminal block (Pre Mod 5466)   | 2       | -          | 24/17     |
| R 41855-025-0   | COVER (Mod 5466)   | 1       | -          | 55/3      |
| 12G/9635206     | DETONATOR, canopy and navigator's escape hatch   | 66      | -          | 24/3      |
| 12G/9635205     | DETONATOR, elevator tube   | 1       | -          | 24/43     |
| EB7.81.1319     | EARTH, accumulators  | 1       | -          | 24/47     |
| 10H/9463981     | FUSE, type AS, 5 amp   | 2       | -          | 22/43     |
| 10H/1047920     | FUSE, dummy  | 2       | -          | 22/44     |
| EB7.81.1321     | LEAD, accumulator  | 1       | -          | 22/51     |
| EA3.81.2627     | LEAD, accumulator +V.E.  | 1       | -          | 22/52     |
| Z50210          | LINK, 2-way  | 2       | -          | 24/44     |
| R 33537-104-0   | LINK, transverse (Mod 5466)  | 2       | -          | 55/4      |
| WB/1146/B1      | LINK   | 4       | -          | 24/15     |
| EG7.81.3199     | NUT, blanking  | 22      | L64        | 24/30     |
| R EA6.10.2181   | PACKING, cork (Mod 5466)   | 4       | -          | 55/5      |
| R WB/1114/28    | PILLAR (Pre Mod 5466)  | 4       | -          | 24/16     |
| R 36765-502-0   | PILLAR, fixing (Mod 5466)  | 2       | -          | 55/6      |
| R EG7.81.2275   | PLATE, adapter (Pre Mod 5466)  | 2       | L72        | 24/37     |
| R EG7.81.2275   | PLATE, adapter (Mod 5466)  | 1       | -          | 55/7      |
| R EG7.81.2605   | PLATE, adapter   | 2       | L72        | 24/41     |
| R EG7.81.3077   | PLATE, adapter   | 1       | L72        | 24/1      |
| R EG7.81.5297   | PLATE, mounting, assembly (Mod 5466)<br>Spares for: -  | 1       | -          | 55/8      |
| R AGS2018/C/1   | NUT, anchor, 2 BA  | 4       | -          | 55/9      |
| R EG7.81.5299   | PLATE, mounting  | 1       | -          | 55/10     |

## ELECTRICAL

## ELECTRICAL EQUIPMENT IN FRONT FUSELAGE

| Part Number   | Description  | No. Off | Matl. Spec. | Plate No. |
|---------------|--|---------|-------------|-----------|
|               |  |         |             |           |
| R X114        | . . . SECTION, extruded PVC, 4.75" long (Mod 5466) | 1       | -           |           |
| EG7.81.2913   | . . . SHEATH, ASSEMBLY (Pre Mod 5267)              | 14      | -           | 24/13     |
| R EG7.81.3985 | . . . SHEATH, ASSEMBLY (Mod 5267) (Pre Mod 5466)   | 14      | -           |           |
| R EG7.81.3985 | . . . SHEATH, ASSEMBLY (Mod 5466)                  | 12      | -           |           |
| R EG7.81.3993 | . . . SHEATH, ASSEMBLY (Mod 5466)                  | 1       | -           |           |
| R EG7.81.5205 | . . . SHEATH, ASSEMBLY (Mod 5466)                  | 1       | -           |           |
|               | Spares for:-                                       |         |             |           |
| EG7.81.2675   | . . . NUT, clamping                                | 2       | L64         | 24/14     |
| EG7.81.2915   | . . . SHEATH, ASSEMBLY (Pre Mod 5267)              | 7       | -           | 24/11     |
| R EG7.81.3987 | . . . SHEATH, ASSEMBLY (Mod 5267) (Pre Mod 5466)   | 7       | -           |           |
| R EG7.81.3987 | . . . SHEATH, ASSEMBLY (Mod 5466)                  | 6       | -           |           |
| R EG7.81.3999 | . . . SHEATH, ASSEMBLY (Mod 5466)                  | 1       | -           |           |
|               | Spares for:-                                       |         |             |           |
| EG7.81.2675   | . . . NUT, clamping                                | 2       | L64         | 24/12     |
| EG7.81.2917   | . . . SHEATH, ASSEMBLY (Pre Mod 5267)              | 4       | -           | 24/4      |
| EG7.81.3989   | . . . SHEATH, ASSEMBLY (Mod 5267)                  | 4       | -           |           |
|               | Spares for:-                                       |         |             |           |
| EG7.81.2675   | . . . NUT, clamping                                | 7       | L64         | 24/5      |
| EG7.81.2919   | . . . SHEATH, ASSEMBLY (Pre Mod 5267)              | 13      | -           | 24/22     |
| EG7.81.3991   | . . . SHEATH, ASSEMBLY (Mod 5267)                  | 13      | -           |           |
|               | Spares for:-                                       |         |             |           |
| EG7.81.2675   | . . . NUT, clamping                                | 2       | L64         | 24/23     |
| EG7.81.2921   | . . . SHEATH, ASSEMBLY (Pre Mod 5267)              | 8       | -           | 24/35     |
| EG7.81.3993   | . . . SHEATH, ASSEMBLY (Mod 5267)                  | 8       | -           |           |
|               | Spares for:-                                       |         |             |           |
| EG7.81.2675   | . . . NUT, clamping                                | 2       | L64         | 24/36     |
| EG7.81.2923   | . . . SHEATH, ASSEMBLY (Pre Mod 5267)              | 8       | -           | 24/18     |
| EG7.81.3995   | . . . SHEATH, ASSEMBLY (Mod 5267)                  | 8       | -           |           |
|               | Spares for:-                                       |         |             |           |
| EG7.81.2675   | . . . NUT, clamping                                | 2       | L64         | 24/19     |
| EG7.81.2925   | . . . SHEATH, ASSEMBLY (Pre Mod 5267)              | 3       | -           | 24/28     |
| EG7.81.3997   | . . . SHEATH, ASSEMBLY (Mod 5267)                  | 3       | -           |           |
|               | Spares for:-                                       |         |             |           |
| EG7.81.2675   | . . . NUT, clamping                                | 2       | L64         | 24/29     |
| EG7.81.2927   | . . . SHEATH, ASSEMBLY (Pre Mod 5267)              | 5       | -           | 24/26     |
| EG7.81.3999   | . . . SHEATH, ASSEMBLY (Mod 5267)                  | 5       | -           |           |
|               | Spares for:-                                       |         |             |           |
| EG7.81.2675   | . . . NUT, clamping                                | 2       | L64         | 24/27     |
| EG7.81.2929   | . . . SHEATH, ASSEMBLY (Pre Mod 5267)              | 1       | -           | 24/20     |
| EG7.81.4001   | . . . SHEATH, ASSEMBLY (Mod 5267)                  | 1       | -           |           |
|               | Spares for:-                                       |         |             |           |
| EG7.81.2675   | . . . NUT, clamping                                | 1       | L64         | 24/21     |
| EG7.81.2909   | . . . SHEATH, ASSEMBLY (Pre Mod 5267)              | 1       | -           | 24/31     |
| EG7.81.3981   | . . . SHEATH, ASSEMBLY (Mod 5267)                  | 1       | -           |           |
|               | Spares for:-                                       |         |             |           |
| EG7.81.2674   | . . . NUT, clamping                                | 1       | L64         | 24/32     |
| EG7.81.2911   | . . . SHEATH, ASSEMBLY (Pre Mod 5267)              | 1       | -           | 24/24     |
| EG7.81.3983   | . . . SHEATH, ASSEMBLY (Mod 5267)                  | 1       | -           |           |
|               | Spares for:-                                       |         |             |           |
| EG7.81.2675   | . . . NUT, clamping                                | 1       | L64         | 24/25     |
| EG7.81.3203   | . . . SHEATH, ASSEMBLY (Pre Mod 5267)              | 1       | -           | 24/8      |
| EG7.81.4017   | . . . SHEATH, ASSEMBLY (Mod 5267)                  | 1       | -           |           |
|               | Spares for:-                                       |         |             |           |
| EG7.81.2675   | . . . NUT, CLAMPING                                | 2       | L64         | 25/9      |
| EG7.81.3265   | . . . SHEATH, ASSEMBLY (Pre Mod 5267)              | 1       | -           | 24/38     |
| EG7.81.4019   | . . . SHEATH, ASSEMBLY (Mod 5267)                  | 1       | -           |           |
|               | Spares for:-                                       |         |             |           |
| EG7.81.2675   | . . . NUT, clamping                                | 1       | L64         | 24/39     |
| EEAS146/12    | . . . SLEEVE, 3/4" long                            | QR      | -           |           |
| EEAS146/20    | . . . SLEEVE, 3/4" long                            | QR      | -           |           |
| EEAS556       | . . . SLEEVE, special                              | 3       | -           |           |
| WARD BROOKE   |  |         |             |           |
| WB/1114/22    | . . . SPACER                                       | 12      | -           | 24/10     |

## ELECTRICAL

## ELECTRICAL EQUIPMENT IN FRONT FUSELAGE

| Part Number | Description   | No. Off | Matl. Spec. | Plate No. |
|-------------|---|---------|-------------|-----------|
|             |   |         |             |           |
| EA1.81.938  | . . . SPRING, detonator wiring  | 67      | —           | 24/7      |
| NY18007A    | . . . STRAP, nylon  | QR      | —           | 25/27     |
| TY8-S       | . . . STRAPPING, 'TYTON', natural<br>8 mm wide (Mod 5442)               | QR      | —           | 24/46     |
| TY8-C1      | . . . STUD, 'TYTON' (Mod 5442)  | QR      | —           | 24/47     |
| NY3255      | . . . STUD, nylon   | QR      | —           | 25/28     |
| EA1.81.943  | . . . STUD, mounting, assembly  | 20      | —           | 24/40     |
| EA1.81.943  | . . . STUD, mounting, assembly (Mod 5466)                               | 4       | —           | 55/12     |
| 5CW/3943    | . . . SWITCH, magnetic relay, type S2                                   | 2       | —           | 25/29     |
| EL34332     | . . . SWITCH, magnetic relay, type S8                                   | 2       | —           | 25/30     |
| A31/B24     | . . . Screw, 4 BA cheese head   | 4       | —           | 25/31     |
| EG7.81.755  | . . . SWITCH, DETONATOR UNIT, ASSEMBLY<br>(MOD 4465)<br>Consisting of:— | 1       | —           | 25/19     |
| EA3.81.6519 | . . . . FLAP, spring, assembly  | 1       | —           | 25/7      |
| DOWTY       |   |         |             |           |
| AS10512C-1  | . . . . SWITCH  | 2       | —           | 25/6      |
| EG7.81.757  | . . . . SWITCH, DETONATOR, UNIT, SUB-ASSEMBLY<br>Spares for:—           | 1       | —           | 25/12     |
| EG7.81.3433 | . . . . . FLAP, ASSEMBLY<br>Spares for:—                                | 1       | —           | 25/17     |
| EA3.81.6517 | . . . . . FLAP, assembly  | 1       | —           | 25/18     |
| EA6.81.369  | . . . . . PIN, hinge  | 1       | L40         | 25/8      |
| EA1.81.929  | . . . . . SPRING, tension   | 1       | —           | 25/13     |
| EG7.81.3351 | . . . SWITCH, DETONATOR, UNIT ASSEMBLY<br>(MOD 4465)<br>Consisting of:— | 1       | —           | 25/25     |
| DOWTY       |   |         |             |           |
| AS10512C-1  | . . . . SWITCH  | 1       | —           | 25/16     |
| EG7.81.3353 | . . . . SWITCH, DETONATOR UNIT, SUB-ASSEMBLY<br>Spares for:—            | 1       | —           | 25/20     |
| EG7.81.3431 | . . . . . FLAP, ASSEMBLY<br>Spares for:—                                | 1       | —           | 25/24     |
| EG7.81.3423 | . . . . . FLAP, assembly  | 1       | —           | 25/23     |
| EA6.81.369  | . . . . . PIN, hinge  | 1       | —           | 25/15     |
| EA1.81.929  | . . . . . SPRING, tension   | 1       | —           | 25/22     |
| AS1248/1C   | . . . Bolt, 2 BA mushroom head (Pre Mod 5466)                           | 4       | —           | 25/9      |
| AS1248/6C   | . . . Bolt, 2 BA mushroom head (Mod 5466)                               | 4       | —           |           |
| AGS2001/C/1 | . . . Nut, stiff, 2 BA  | 4       | —           | 25/11     |
| EG7.81.3421 | . . . Packing   | 1       | —           | 25/14     |
| SP15/C      | . . . Washer, 2 BA plain (Pre Mod 5466)                                 | 4       | —           | 25/10     |
| SP124/C     | . . . Washer (Mod 5466)   | 4       | —           |           |
| HC490       | . . . TAG, quick release  | 2       | —           |           |
| HC510       | . . . TAG, quick release  | 2       | —           | 25/26     |
| EA1.81.429  | . . . TERMINAL, earth   | 1       | —           | 25/21     |

ELECTRICAL

ELECTRICAL EQUIPMENT IN FRONT FUSELAGE

| Part Number                                 | Description  | No. Off | Mati. Spec. | Plate No. |
|---|--|---------|-------------|-----------|
|   |  |         |             |           |
| EB7.81.1177                                 | . . TRAY, ACCUMULATOR EMERGENCY, ASSEMBLY<br>Spares for:   | 1       | -           | 25/2      |
| EB7.81.1181                                 | . . . BUNGEE, assembly<br>Attaching parts for EB7.81.1177:   | 2       | -           | 25/1      |
| A25/1C                                      | . . Bolt, 2BA hex. head  | 4       | -           | 25/3      |
| SP15/C                                      | . . Washer, 2BA plain  | 4       | -           | 25/5      |
| EA1.81.426                                  | . . TUBE, distance, detonator explosive bolt, navigator's<br>escape hatch  | 34      | -           | 24/6      |
| EA1.81.427                                  | . . TUBE, distance, detonator explosive bolt, pilot's canopy   | 30      | -           | 24/33     |
| EA1.81.941                                  | . . TUBE, distance, explosive bolt, pilot's canopy   | 2       | L56         | 24/34     |
| EG7.81.2337                                 | . . TUBE, distance   | 1       | L65         | 24/45     |
| -   | . WIRING, UNDERCARRIAGE, NOSE, ASSEMBLY<br>(EA3.81.295)<br>Spares for:   | -       | -           | 26/18     |
| R E&I 7049                                  | . . BLOCK, terminal, type B, No.1<br>Attaching parts for E&I 7049:-  | 1       | -           | 26/17     |
| R A27/AP                                    | . . Nut, 6BA plain   | 2       | -           | 26/14     |
| R A33/A20                                   | . . Screw, 6BA c'sk head   | 2       | -           | 26/16     |
| R SP47/A                                    | . . Washer, 6BA spring   | 2       | -           | 26/15     |
| DOWTY<br>DN1322Z Mk.2<br>or<br>DN1322Z Mk.3 | . . SWITCH, micro  | 1       | -           | 26/20     |
| -   | . . SWITCH, micro (Mod.4959)   | -       | -           | 26/21     |
| -   | . WIRING, FRONT FUSELAGE, STARBOARD, ASSEMBLY<br>(EG7.81.1205)<br>Spares for:  | -       | -           | 26/23     |
| R UNINYVIN 12                               | . . CABLE,   | QR      | -           |           |
| R UNINYVIN 16                               | . . CABLE,   | QR      | -           |           |
| R UNINYVIN 20                               | . . CABLE,   | QR      | -           |           |
| EA4.81.1365/2                               | . . CABLE, ASSEMBLY, F33, FROM CIRCUIT BREAKER<br>CONNECTION TO CENTRE FUSELAGE<br>CONNECTION, GROUP<br>Consisting of: | 1       | -           |           |
| R UNINYVIN 8                                | . . . CABLE,   | QR      | -           |           |
| 32A/1058027                                 | . . . CORD, waxed braided  | QR      | -           |           |
| AGS1705                                     | . . . LUG, cable, No.3   | 2       | -           |           |
| 508/1/06408                                 | . . . PLUG, single, size 'C'   | 1       | -           |           |
| EEAS146/D                                   | . . . SLEEVE   | 2       | -           |           |
| EEAS146/C                                   | . . . SLEEVE   | 1       | -           |           |
| Z18415                                      | . . . STRAINER, cable, type 'C'  | 1       | -           |           |

## ELECTRICAL

## ELECTRICAL EQUIPMENT IN FRONT FUSELAGE

| Part Number | Description                                    | No.<br>Off | Matl. Spec. | Plate No. |
|-------------|--|------------|-------------|-----------|
|             |  |            |             |           |
| EA3.81.261  | . . CLEAT, base                                | 10         | LFS21       | 26/1      |
| EA3.81.263  | . . CLEAT, cover                               | 10         | LFS21       | 26/3      |
|             | Attaching parts for EA3.81.261 and EA3.81.263: |            |             |           |
| AS1246/6B   | . . Bolt, 4BA round head                       | 2          | —           | 26/13     |
| AS1246/8B   | . . Bolt, 4BA round head                       | 2          | —           | 26/10     |
| A27/BP      | . . Nut, 4BA plain                             | 2          | —           | 26/5      |
| SP47/B      | . . Washer, 4BA spring                         | 2          | —           | 26/9      |
| SP13/B      | . . Washer, 4BA plain                          | 2          | —           | 26/4      |
| EA4.81.1401 | . . CLEAT                                      | 1          | LFS21       | 26/8      |
|             | Attaching parts for EA4.81.1401:               |            |             |           |
| A25/5B      | . . Bolt, 4BA hex. head                        | 1          | —           | 26/11     |
| A25/5C      | . . Bolt, 2BA hex. head                        | 1          | —           | 26/2      |
| A27/BP      | . . Nut, 4BA plain                             | 1          | —           | 26/6      |
| AGS2001/C/1 | . . Nut, stiff, 2BA                            | 1          | —           | 26/12     |
| SP47/B      | . . Washer, 4BA spring                         | 1          | —           | 26/7      |
| EG7.81.2357 | . . COVER, ASSEMBLY                            | 1          | —           | 26/19     |
|             | Spares for:                                    |            |             |           |
| EA4.81.1611 | . . . SCREW, special                           | 4          | BS249       | 26/22     |

## ELECTRICAL

## ELECTRICAL EQUIPMENT IN FRONT FUSELAGE

| Part Number                        | Description   | No. Off | Matl. Spec. | Plate No.   |
|------------------------------------|---|---------|-------------|-------------|
|                                    |   |         |             | 1 2 3 4 5 6 |
| R                                  | WIRING, A.E.O.'s SWITCH PANEL, ASSEMBLY<br>(EG7.81.1456) (Pre Mod 5466)<br>Spares for:— | —       | —           | 27/5        |
| 703-1-00232                        | . . . BLOCK, terminal, 3-way<br>Attaching parts for 703-1-00232:—                       | 1       | —           | 27/2        |
| AGS2001/B/1                        | . . . Nut, stiff, 4 BA  | 2       | —           | 27/1        |
| A32/B24                            | . . . Screw, 4 BA   | 2       | —           | 27/4        |
| SP15/B                             | . . . Washer, 4 BA plain  | 2       | —           | 27/3        |
| UNIMINYVIN 20                      | . . . CABLE   | QR      | —           |             |
| UNIMINYVIN 18                      | . . . CABLE, (SAS4745)  | QR      | —           |             |
| AS3180/7B                          | . . . CLIP 'P'  | 1       | —           | 27/15       |
| AS3180/8B                          | . . . CLIP 'P'  | 1       | —           | 27/16       |
|                                    | Attaching parts for clips:—   |         |             |             |
| AGS2002/B/1                        | . . . Nut, stiff, 4 BA  | 1       | —           | 27/17       |
| A32/B16                            | . . . Screw, round head, 4 BA   | 1       | —           | 27/18       |
| SP15/B                             | . . . Washer  | 1       | —           | 27/19       |
| EF3.81.5705                        | . . . COVER, protective   | 1       | —           | 27/11       |
| 5L/9959178                         | . . . LAMP, filament, 28V, 0.04w (Pre SAS4745)  | 3       | —           | 27/12       |
| 5L/9959118                         | . . . LAMP, filament, 28V, 0.04w (SAS4745)  | 2       | —           |             |
| L1114                              | . . . LAMP, filament, 28V, 3.5w (SAS4745)   | 1       | —           |             |
| PAGE ENG.<br>A1660                 | . . . LAMP, illuminated, assembly<br>Spares for:—                                       | 1       | —           | 27/13       |
| PAGE ENG.<br>A3                    | . . . KNOB  | 1       | —           | 27/14       |
| 703-2-00251                        | . . . LINK, commoning   | 1       | —           |             |
| PAGE ENG.<br>A257                  | . . . SLEEVE, cable   | 2       | —           |             |
| EEAS563                            | . . . SLEEVE, special (Pre SAS4745)   | 3       | —           |             |
| EEAS566                            | . . . SLEEVE, special   | 2       | —           |             |
| EEAS146/16/¼                       | . . . SLEEVE (SAS4745)  | QR      | —           |             |
| EEAS146/20/¼                       | . . . SLEEVE (SAS4745)  | QR      | —           |             |
| NSF8810/B101                       | . . . SWITCH, tumbler (Pre SAS4745)   | 2       | —           | 27/8        |
| R AS10512A-2                       | . . . SWITCH, tumbler (SAS4745)   | 2       | —           | 27/23       |
| NSF8810/B104                       | . . . SWITCH, tumbler (Pre SAS4745)   | 1       | —           | 27/6        |
| R AS10512A-2                       | . . . SWITCH, tumbler (SAS4745)   | 1       | —           | 27/22       |
| NSF8820/B103                       | . . . SWITCH, tumbler (Pre SAS4745)   | 2       | —           | 27/7        |
| or                                 |   |         |             |             |
| R AS10512C-3                       | . . . SWITCH, tumbler (Pre SAS4745)   | 1       | —           |             |
| 4TL1-3                             | . . . SWITCH, 4 pole (SAS4745)  | 2       | —           | 27/20       |
| R AS10512C-1                       | . . . SWITCH, DP (SAS4745)  | 2       | —           | 27/21       |
| PAGE ENG.<br>C1107/B7              | . . . SWITCH, push button   | 1       | —           | 27/9        |
| PAGE ENG.<br>C1107/C7              | . . . SWITCH, push button   | 1       | —           | 27/10       |
| HC296D                             | . . . TAG, RT (Pre SAS4745)   | 4       | —           |             |
| HC304                              | . . . TAG, RT (SAS4745)   | 4       | —           |             |
| HC490                              | . . . TAG, QR   | 5       | —           |             |
| R EEAS237/6A                       | . . . WASHER, 'D'   | 1       | —           | 27/24       |
| EEAS238/1A                         | . . . WASHER, 'D'   | 1       | —           |             |
| THOS. HADDON<br>& STOKES<br>DP1002 | . . . WASHER, 6 BA  | 6       | —           |             |

ELECTRICAL  
ELECTRICAL EQUIPMENT IN FRONT FUSELAGE

| Part Number | Description   | No. Off  | Matl. Spec. | Plate No. |             |
|-------------|---|--|-------------|-----------|-------------|
|             |   |  |             |           | 1 2 3 4 5 6 |
| R           | WIRING, A.E.O.'s SWITCH PANEL, ASSEMBLY<br>(EG7.81.5161) (Mod 5466)<br>Spares for:— | —  | —           | 27A/1     |             |
| 72541.023.0 | . . . BLOCK, terminal, 3-way<br>Attaching parts:—                                   | 1  | —           | 27A/2     |             |
| AGS2001B1   | . . . Nut, stiff, 4BA   | 2  | —           | 27A/3     |             |
| A32B24      | . . . Screw, 4BA, round head  | 2  | —           | 27A/4     |             |
| SP15B       | . . . Washer  | 2  | —           | 27A/5     |             |
| 72541.025.0 | . . . BLOCK, terminal, 5-way<br>Attaching parts:—                                   | 1  | —           | 27A/6     |             |
| AGS2001B1   | . . . NUT, stiff, 4BA   | 2  | —           | 27A/7     |             |
| A32B24      | . . . Screw, 4BA, round head  | 2  | —           | 27A/8     |             |
| SP15B       | . . . Washer  | 2  | —           | 27A/9     |             |
| R           | 72541.025.0   | . . . BLOCK, terminal, 5-way (Mod 5541)<br>Attaching parts:— | 1           | —         | 27A/41      |
| R           | AGS2001B1   | . . . Nut, stiff, 4BA  | 2           | —         | 27A/42      |
| R           | A32B24  | . . . Screw, 4BA, roundhead                                  | 2           | —         | 27A/43      |
| R           | SP15B   | . . . Washer   | 2           | —         | 27A/44      |
|             | 5X3277  | . . . BLOCK, terminal, 3-way<br>Attaching parts:—            | 1           | —         | 27A/13      |
|             | AGS2001B1   | . . . Nut, stiff, 4BA  | 2           | —         | 27A/14      |
|             | A32B24  | . . . Screw, 4BA, roundhead                                  | 2           | —         | 27A/15      |
|             | SP15B   | . . . Washer   | 2           | —         | 27A/16      |
|             | AS3180/7B   | . . . CLIP, 'P'<br>Attaching parts:—                         | 1           | —         | 27A/17      |
|             | AGS2002B1   | . . . Nut, stiff, 4BA  | 1           | —         | 27A/18      |
|             | A32B16  | . . . Screw, 4BA, roundhead                                  | 1           | —         | 27A/19      |
|             | SP15B   | . . . Washer   | 1           | —         | 27A/20      |
|             | EEAS237/6A  | . . . Washer, 'D'  | 1           | —         | 27A/21      |
|             | AS3180/8B   | . . . CLIP, 'P'<br>Attaching parts:—                         | 1           | —         | 27A/22      |
|             | AGS2002B1   | . . . Nut, stiff, 4BA  | 1           | —         | 27A/23      |
|             | A32B16  | . . . Screw, 4BA, roundhead                                  | 1           | —         | 27A/24      |
|             | SP15B   | . . . Washer   | 1           | —         | 27A/25      |
|             | EEAS238/1A  | . . . Washer, 'D'  | 1           | —         | 27A/26      |
|             | EF3.81.5705   | . . . COVER, protective                                      | 1           | —         | 27A/27      |
|             | PC48603.4   | . . . FILAMENT, 28V, 0.04A                                   | 3           | —         | 27A/10      |
| R           | PC48603.4   | . . . FILAMENT, 28V, 0.04A (Mod 5541)                        | 1           | —         | 27A/45      |
|             | L1114   | . . . FILAMENT, 28V, 3.5W                                    | 1           | —         | 27A/28      |
|             | A1660A3   | . . . HOLDER, lamp   | 1           | —         | 27A/29      |
| R           | C180.8A   | . . . LAMP, (Mod 5541)                                       | 1           | —         | 27A/46      |
|             | 703.2.00252   | . . . LINK, commoning, 3-way                                 | 1           | —         | 27A/11      |
|             | 36162.502.0   | . . . SPACER, type 1   | 1           | —         | 27A/30      |
|             | 36162.503.0   | . . . SPACER, type 2   | 1           | —         | 27A/31      |

A.P.101B-0417-3A

Page E.111

ELECTRICAL  
ELECTRICAL EQUIPMENT IN FRONT FUSELAGE

| Part Number  | Description   | No. Off   | Matl. Spec.  | Plate No.  |
|--|---|---|--|--|
|  |   |   |  |  |
| R C500A129ZA<br>or<br>R C500A7<br>R C1107C7<br>R C1107B7<br>R AS10512A2<br>R AS10512M1<br>R A257<br>R A257<br>R G198.1.1.7.19<br>R HC490<br>R HC304<br>R HC296D<br>R 21350.813 | . . . SWITCH, push button<br>. . . SWITCH, push button<br>. . . SWITCH, push button<br>. . . SWITCH, push button<br>. . . SWITCH, S.P.<br>. . . SHROUD, terminal<br>. . . SLEEVE, Cable<br>. . . SLEEVE, Cable (Mod 5541)<br>. . . SLEEVE<br>. . . TERMINAL, OR<br>. . . TERMINAL, RT<br>. . . TERMINAL, RT<br>. . . WASHER, crinkle, 6BA | 1<br>1<br>1<br>3<br>3<br>3<br>1<br>OR<br>3<br>2<br>5<br>9 | -<br>-<br>-<br>-<br>-<br>-<br>-<br>-<br>-<br>-<br>-<br>- | 27A/12<br>27A/32<br>27A/33<br>27A/34<br>27A/35<br>27A/36<br>27A/47<br>27A/37<br>27A/38<br>27A/39<br>27A/40 |
| -  | . . . WIRING AND CLIPPING, FRONT FUSELAGE ASSEMBLY<br>(EG7.81.8301)<br>Spares for:-   | -   | -  | 28/1   |
| -  | . . . WIRING AND CLIPPING, AT PILOT'S STATION, ZONE 2<br>(EG7.81.3305)<br>Spares for:-  | -   | -  | 28/15  |
| EEAS552/2<br>EG4.80.1187<br>HELLERMANN<br>DEUTSCH<br>416125/20   | . . . BOBBIN, clip support<br>. . . BRACKET (Mod 4865 Part A)   | 1<br>1  | -<br>-   | 28/11<br>28/29   |
| A25/1A<br>AGS2001/A1<br>SP124/A<br>HELLERMANN<br>DEUTSCH<br>416125/14  | . . . CAP, protective (Mod 4865 Part A)<br>Attachments:-<br>. . . Bolt, hex. head, 6BA<br>. . . Nut, stiff, 6BA<br>. . . Washer, 6BA  | 1<br>4<br>4<br>4  | -<br>-<br>-<br>-   | 28/30<br>28/31<br>28/32<br>28/33   |
| A25/1A<br>AGS2001/A1<br>SP124/A  | . . . CAP, protective (Mod 4865 Part A)<br>Attachments:-<br>. . . Bolt, hex. head, 6BA<br>. . . Nut, stiff, 6BA<br>. . . Washer, 6BA  | 1<br>4<br>4<br>4  | -<br>-<br>-<br>-   | 28/34<br>28/35<br>28/36<br>28/37   |
| -  | . . . DRILLING AND ATTACHMENTS, PILOT'S<br>STATION (EG7.81.3331)<br>Spares for:-  | -   | -  | 28/16  |
| EG7.81.2551  | . . . PLATE, fish<br>Attaching parts:-  | 1   | L72  | 28/7   |
| A25/1B<br>AGS2001/B/1<br>SP15/B  | . . . Bolt, 4BA, hex. head<br>. . . Nut, stiff, 4BA<br>. . . Washer, 4BA, plain   | 2<br>2<br>2   | -<br>-<br>-  | 28/12<br>28/14<br>28/13  |
| HELLERMAN<br>DEUTSCH<br>418618/14  | . . . STOWAGE, dummy (Mod 4865 Part A)<br>Attachments:-   | 1   | -  | 28/38  |
| A25/1A<br>AGS2001/A1<br>SP124/A  | . . . Bolt, hex. head, 6BA<br>. . . Nut, stiff, 6BA<br>. . . Washer, 6BA  | 4<br>4<br>4   | -<br>-<br>-  | 28/39<br>28/40<br>28/41  |
| HELLERMANN<br>DEUTSCH<br>418618/20   | . . . STOWAGE, dummy (Mod 4865 Part A)<br>Attachments:-   | 1   | -  | 28/42  |
| A25/1A<br>AGS2001/A1<br>SP124/A  | . . . Bolt, hex. head, 6BA<br>. . . Nut, stiff, 6BA<br>. . . Washer, 6BA  | 4<br>4<br>4   | -<br>-<br>-  | 28/43<br>28/44<br>28/45  |
| EEAS132/9<br>EEAS132/12  | . . . STRAP, cable, c/w buckle, 9" long<br>. . . STRAP, cable, c/w buckle, 12" long   | 8<br>3  | -<br>-   | 28/9<br>28/8   |

## ELECTRICAL

## ELECTRICAL EQUIPMENT IN FRONT FUSELAGE

| Part Number   | Description  | No.<br>Off | Mati. Spec. | Plate No. |   |
|---|--|------------|-------------|-----------|---|
|   |  |            |             |           | 1 |
| -   | WIRING AND CLIPPING (Automatic height encoder)<br>(EG7.81.3585) (Mod.4865 Part A)<br>Spares for: | -          | -           |           |   |
| R<br>HELLERMANN<br>DEUTSCH<br>416125/10<br>EEAS136<br>AS3181/4B | CAP, protective  | 2          | -           | 51/1      |   |
|   | CLEAT  | 1          | -           | 51/2      |   |
|   | CLIP, 'P'  | 3          | -           | 51/3      |   |
|   | Attachments:   |            |             |           |   |
| A25/1B  | Bolt, hex. head, 4BA   | 1          | -           | 51/4      |   |
| AS3181/4B   | CLIP, 'P'  | 2          | -           | 51/5      |   |
|   | Attachments:   |            |             |           |   |
| A25/1B  | Bolt, hex. head, 4BA   | 1          | -           | 51/6      |   |
| AGS2001/B1  | Nut, stiff, 4BA  | 1          | -           | 51/7      |   |
| SP13/B  | Washer, 4BA  | 1          | -           | 51/8      |   |
| AS3181/7B   | CLIP, 'P'  | 2          | -           | 51/9      |   |
|   | Attachments:   |            |             |           |   |
| A25/1B  | Bolt, hex. head, 4BA   | 1          | -           | 51/10     |   |
| AGS2001/B1  | Nut, stiff, 4BA  | 1          | -           | 51/11     |   |
| SP13/B  | Washer, 4BA  | 1          | -           | 51/12     |   |
| AS3181/3C   | CLIP, 'P'  | 1          | -           | 51/13     |   |
|   | Attachments:   |            |             |           |   |
| A25/1C  | Bolt, hex. head, 2BA   | 1          | -           | 51/14     |   |
| AGS2001/C1  | Nut, stiff, 2BA  | 1          | -           | 51/15     |   |
| SP13/C  | Washer, 2BA  | 1          | -           | 51/16     |   |
| AS3181/3C   | CLIP, 'P'  | 3          | -           | 51/17     |   |
|   | Attachments:   |            |             |           |   |
| A25/3C  | Bolt, hex. head, 2BA   | 1          | -           | 51/18     |   |
| AS3181/3B   | CLIP, 'P'  | 2          | -           | 51/19     |   |
|   | Attachments:   |            |             |           |   |
| A25/1B  | Bolt, hex. head, 4BA   | 1          | -           | 51/20     |   |
| AGS2001/B1  | Nut, stiff, 4BA  | 1          | -           | 51/21     |   |
| SP13/B  | Washer, 4BA  | 1          | -           | 51/22     |   |
| AS3181/3B   | CLIP, 'P' (Attach to existing clips on pressure bulkhead)  | 2          | -           | 51/23     |   |
| AS3181/4C   | CLIP, 'P' (Attach with existing 2BA bolt to clip on existing loom on engine starter panel, port) | 1          | -           | 51/24     |   |
| AS3181/4B   | CLIP, 'P' (Attach with existing 4BA bolt on frame 2, port)                                       | 1          | -           | 51/25     |   |
| AS3181/4B   | CLIP, 'P' (Attach to existing main loom clip at frame 4)   | 1          | -           | 51/26     |   |

ELECTRICAL EQUIPMENT IN FRONT FUSELAGE

| Ref. No. | Part No.    | Description  |   |   |   |   |   |   | No. off | Matl. Spec. | Cl. of Equip. M.R. L.M. | Fig. and Index |
|----------|-------------|--------------|---|---|---|---|---|---|---------|-------------|-------------------------|----------------|
|          |             | 1            | 2 | 3 | 4 | 5 | 6 | 7 |         |             |                         |                |
| R        | 28E/9508716 | AS.3181/7B   |   |   |   |   |   |   | 1       | -           | C                       | 51/27          |
| R        |             | AS.3181/6C   |   |   |   |   |   |   | 1       | -           | -                       | 51/28          |
| R        | 28E/1006378 | AS.3181/8C   |   |   |   |   |   |   | 1       | -           | -                       | 51/29          |
| R        | 28E/1012877 | AS.3181/5C   |   |   |   |   |   |   | 1       | -           | C                       | 51/30          |
| R        |             | AS.3181/3C   |   |   |   |   |   |   | 1       | -           | -                       | 51/31          |
| R        |             | EEAS.29/4/ER |   |   |   |   |   |   | 1       | -           | -                       | 51/32          |
| R        |             | -            |   |   |   |   |   |   | -       | -           | -                       | 28/2           |
| R        | 26DK/23435  | EEAS.552/2   |   |   |   |   |   |   | 1       | -           | C                       | 28/10          |
|          |             | -            |   |   |   |   |   |   | -       | -           | -                       | 28/3           |
| R        |             | E.G7.81.2549 |   |   |   |   |   |   | 2       | -           | -                       | 28/22          |
| R        | 3418        | EEAS.132/12  |   |   |   |   |   |   | 1       | -           | C                       | 28/23          |
| R        | 28D/1007892 | AS.1248/1C   |   |   |   |   |   |   | 1       | -           | C                       | 28/24          |
| R        | 3420        | EEAS.73      |   |   |   |   |   |   | 1       | -           | C                       | 28/25          |
| R        | 4966        | E.A1.81.251  |   |   |   |   |   |   | 2       | -           | C                       | 28/19          |
| R        | 3420        | EEAS.73      |   |   |   |   |   |   | 3       | -           | C                       | 28/20          |
| R        | 3418        | EEAS.132/12  |   |   |   |   |   |   | 5       | -           | C                       | 28/21          |
| R        |             | -            |   |   |   |   |   |   | -       | -           | -                       | 28/4           |
| R        | 3420        | EEAS.73      |   |   |   |   |   |   | 13      | -           | C                       | 28/5           |
| R        | 3417        | EEAS.132/9   |   |   |   |   |   |   | 2       | -           | C                       | 28/17          |
| R        | 3418        | EEAS.132/12  |   |   |   |   |   |   | 9       | -           | C                       | 28/18          |
| R        | 3419        | EEAS.132/15  |   |   |   |   |   |   | 2       | -           | C                       | 28/6           |
|          |             | -            |   |   |   |   |   |   | -       | -           | -                       | 28/26          |
| R        | 26DK/23435  | EEAS.552/2   |   |   |   |   |   |   | 8       | L65         | C                       | 28/28          |
| R        | 26DK/23430  | EEAS.552/4   |   |   |   |   |   |   | 6       | L65         | C                       | 28/27          |

ELECTRICAL

ELECTRICAL EQUIPMENT IN FRONT FUSELAGE

| Ref. No. | Part No. |   |   |   |   |   |   | No. off | Matl. Spec. | Cl. of Equip.<br>M.R.<br>L.M. | Fig. and Index |
|----------|----------|---|---|---|---|---|---|---------|-------------|-------------------------------|----------------|
|          |          | 1 | 2 | 3 | 4 | 5 | 6 |         |             |                               |                |
|          |          |   |   |   |   |   |   |         |             |                               |                |

## ELECTRICAL

## ELECTRICAL EQUIPMENT IN CENTRE FUSELAGE

| Part Number  | Description   | No. Off | Matl. Spec.       | Plate No. |
|--------------|---|---------|-------------------|-----------|
|              |   |         |                   |           |
| -            | ELECTRICAL EQUIPMENT IN CENTRE FUSELAGE, ASSEMBLY (EG7.81.1607)             | -       | -                 |           |
| -            | ALTERATIONS TO ELECTRICAL EQUIPMENT IN CENTRE FUSE (EG7.81.5607) (Mod.5466) | RF      | -                 |           |
| -            | spares for:-  |         |                   |           |
| -            | . BOX, JUNCTION, No.1, INSTALLATION (EG7.81.1653)                           | -       | -                 | 29/4      |
| -            | Spares for:-  |         |                   |           |
| EG7.81.1655  | . . . BOX, JUNCTION, No.1   | 1       | -                 | 29/19     |
| -            | Spares for:-  |         |                   |           |
| EA1.81.583   | . . . . BOX, 40-way   | 1       | -                 | 29/20     |
| EA1.81.597/A | . . . . LID, assembly   | 1       | -                 | 29/21     |
| -            | . BOX, JUNCTION, No.3 INSTALLATION (EG7.81.1657)                            | -       | -                 | 29/3      |
| -            | Spares for:-  |         |                   |           |
| EG7.81.1659  | . . . BOX, JUNCTION, No.3   | 1       | -                 | 29/8      |
| -            | Spares for:-  |         |                   |           |
| EA1.81.583   | . . . . BOX, 40-way   | 1       | -                 | 29/9      |
| EA1.81.597/B | . . . . LID, assembly (Use Ref. 16781 and identify)                         | 1       | -                 | 29/10     |
| -            | . DUCT, CABLE, ASSEMBLY, IN BOMB BAY STARBOARD (EG7.81.1671)                | -       | -                 | 29/5      |
| -            | Spares for:-  |         |                   |           |
| EG7.81.1689  | . . . COVER, DUCT, ASSEMBLY   | 1       | -                 | 29/23     |
| -            | Spares for:-  |         |                   |           |
| EG7.81.2633  | . . . . BLOCK, support  | 1       | BS2572<br>Type F3 | 29/28     |
| -            | Attaching parts for EG7.81.2633:-   |         |                   |           |
| AS1246/48    | . . . . Bolt, 4 BA roundhead  | 2       | -                 | 29/24     |
| AGS2021/B/1  | . . . . Nut, stiff, cap, 4 BA   | 2       | -                 | 29/27     |
| SP15/B       | . . . . Washer, 4 BA plain  | 2       | -                 | 29/28     |
| EEAS307/3    | . . . . BOLT, 4 BA, captive   | 12      | -                 | 29/25     |
| EEAS232      | . . . . WASHER, 4 BA, tapped  | 12      | L72               | 29/18     |
| EEAS28/6/CR  | . . . . WASHER  | 12      | L72               | 29/22     |
| EG7.81.1693  | . . . COVER, DUCT, ASSEMBLY   | 1       | -                 | 29/17     |
| -            | Spares for:-  |         |                   |           |
| EEAS307/3    | . . . . BOLT, 4 BA, captive   | 15      | -                 | 29/25     |
| EEAS232      | . . . . WASHER, 4 BA, tapped  | 15      | L72               | 29/18     |
| EEAS28/6CR   | . . . . WASHER  | 15      | L72               | 29/22     |
| EG7.81.1697  | . . . COVER, DUCT, ASSEMBLY   | 1       | -                 | 29/16     |
| -            | Spares for:-  |         |                   |           |
| EEAS307/3    | . . . . BOLT, 4 BA, captive   | 9       | -                 | 29/25     |
| EEAS232      | . . . . WASHER, 4 BA, tapped  | 9       | L72               | 29/18     |
| EEAS28/6CR   | . . . . WASHER  | 9       | L72               | 29/22     |

ELECTRICAL  
ELECTRICAL EQUIPMENT IN CENTRE FUSELAGE

| Part Number   | Description  | No. Off | Mati. Spec. | Plate No. |
|---------------|--|---------|-------------|-----------|
|               |  |         |             |           |
| EG7.81.1701   | . . COVER, DUCT, ASSEMBLY<br>Spares for:—                              | 1       | —           | 29/13     |
| EEAS307/3     | . . . BOLT, 4 BA, captive  | 13      | —           | 29/25     |
| EEAS232       | . . . WASHER, 4 BA, tapped   | 13      | L72         | 29/18     |
| EEAS28/6CR    | . . . WASHER   | 13      | L72         | 29/22     |
| EG7.81.1705   | . . COVER, DUCT, ASSEMBLY<br>Spares for:—                              | 1       | —           | 29/7      |
| EEAS307/3     | . . . BOLT, 4 BA, captive  | 14      | —           | 29/25     |
| EEAS232       | . . . WASHER, 4 BA, tapped   | 14      | L72         | 29/8      |
| EEAS28/6CR    | . . . WASHER   | 14      | L72         | 29/2      |
| EG7.81.1685   | . . DUCT, cable, assembly<br>Attaching parts for EG7.81.1685:—         | 1       | —           | 29/1      |
| AS1248/1C     | . . Bolt, 2 BA mushroom head   | 6       | —           | 29/15     |
| EG7.81.1723   | . . Cover, for bolt heads  | 6       | Vaas 571    | 29/14     |
| SP13/C        | . . Washer, 2 BA plain   | 6       | —           | 29/11     |
| EG7.81.2637   | . . DUCT, cable, assembly<br>Attaching parts for EG7.81.2637:—         | 1       | —           | 29/12     |
| AS1248/1C     | . . Bolt, 2 BA mushroom head   | 6       | —           | 29/15     |
| EG7.81.1723   | . . Cover, for bolt heads  | 6       | Vaas 571    | 29/14     |
| SP13/C        | . . Washer, 2 BA plain   | 6       | —           | 29/11     |
| EG7.81.2641   | . . DUCT, cable, assembly<br>Attaching parts for EG7.81.2641:—         | 1       | —           | 29/6      |
| AS1248/1C     | . . Bolt, 2 BA mushroom head   | 8       | —           | 29/15     |
| EG7.81.1723   | . . Cover, for bolt heads  | 8       | Vaas 571    | 29/14     |
| SP13/C        | . . Washer, 2 BA plain   | 8       | —           | 29/11     |
| EG7.81.2645   | . . DUCT, cable, assembly<br>Attaching parts for EG7.81.2645:—         | 1       | —           | 29/2      |
| AS1248/1C     | . . Bolt, 2 BA mushroom head   | 8       | —           | 29/15     |
| EG7.81.1723   | . . Cover, for bolt heads  | 8       | Vaas 571    | 29/14     |
| SP13/C        | . . Washer, 2 BA plain   | 8       | —           | 29/11     |
| —             | . EARTH, MAIN ASSEMBLY IN PACK BAY<br>(EG7.81.1797)<br>Consisting of:— | —       | —           | 30/12     |
| EG7.93.693    | . . BOLT, special (May be made from A25/11E)                           | 1       | —           | 30/2      |
| EB4.81.4669   | . . BOLT, special  | 1       | S95         | 30/4      |
| EG7.81.427    | . . NUT, special   | 1       | Brass       | 30/11     |
| EB3.81.1801   | . . NUT, special   | 1       | —           | 30/6      |
| AGS2001/E/1   | . . NUT, stiff, 1/4" BSF   | 1       | —           | 30/8      |
| AGS2001/G/1   | . . NUT, stiff, 5/16" BSF  | 1       | —           | 30/9      |
| EG7.81.1799   | . . WASHER, earth identification                                       | 1       | —           | 30/3      |
| EEAS28/15ER/H | . . WASHER   | 1       | L72         | 30/1      |
| EEAS28/23CR/H | . . WASHER   | 1       | L72         | 30/5      |
| SP13/E        | . . WASHER, 1/4" BSF plain   | 1       | —           | 30/7      |
| SP13/G        | . . WASHER, 5/16" BSF plain  | 1       | —           | 30/10     |

## ELECTRICAL

## ELECTRICAL EQUIPMENT IN CENTRE FUSELAGE

| Part Number                           | Description   | No. Off | Matl. Spec. | Plate No. |
|---------------------------------------|---|---------|-------------|-----------|
|                                       |   |         |             |           |
| -                                     | EQUIPMENT, ELECTRICAL REAR BOMB BAY BULKHEAD, ASSEMBLY (EA3.81.399) (Pre SAS4745)<br>Spares for:            | -       | -           | 30/25     |
| 508/1/06454<br>or<br>508/1/06454      | . . PLUG, bulkhead, size 'C'  | 1       | -           | 30/28     |
| 508/1/06482<br>EEAS132/7              | . . PLUG, bulkhead, size 'C'  | 1       | -           | 30/29     |
| 508/1/06482<br>EEAS132/7              | . . PLUG, bulkhead, size 'D'  | 1       | -           | 30/31     |
| AGS2001/B/1<br>EEAS73                 | . . STRAP, webbing, c/w buckle, 7" long<br>Attaching parts for EEAS132/7:                                   | 4       | -           | 30/14     |
| A31/B20<br>EEAS28/18DR                | . . Nut, stiff, 4BA   | 1       | -           | 30/13     |
|                                       | . . Plate, clamp  | 1       | -           | 30/17     |
|                                       | . . Screw, 4BA cheesehead   | 1       | -           | 30/15     |
|                                       | . . Washer  | 1       | L72         | 30/16     |
| -                                     | EQUIPMENT, ELECTRICAL, ON REAR BOMB BAY BULKHEAD (FRAME 29) ASSEMBLY (EG7.81.3781) (SAS4745)<br>Spares for: | -       | -           | 53/1      |
| -                                     | . . FAIRLEAD AT FRAME 29 INSTALLATION (EG7.81.1669)<br>Consisting of:                                       | -       | -           | 53/2      |
| EG7.81.1933                           | . . . FAIRLEAD, assembly<br>Attaching parts for EG7.81.1933:  | 1       | -           | 53/3      |
| A25/4C<br>SP13/C                      | . . . Bolt, 2BA hex. head   | 4       | -           | 53/4      |
|                                       | . . . Washer, 2BA plain   | 4       | -           | 53/5      |
| 10H/5805326                           | . . . PLUG, type 757  | 1       | -           | 53/6      |
| 508/1/06454                           | . . PLUG, bulkhead, size 'C'  | 1       | -           | 53/7      |
| 508/1/06482<br>EEAS132/7              | . . PLUG, bulkhead, size 'D'  | 1       | -           | 53/8      |
|                                       | . . STRAP, webbing<br>Attaching parts for EEAS132/7:  | 2       | -           | 53/9      |
| AS1248/½B<br>AGS2001/B/1<br>EEAS73    | . . Bolt, 4BA, mushroom head  | 1       | -           | 53/10     |
|                                       | . . Nut, stiff, 4BA   | 1       | -           | 53/11     |
|                                       | . . Plate, clamp  | 1       | -           | 53/12     |
| EEAS132/7                             | . . STRAP, webbing<br>Attaching parts for EEAS132/7:  | 2       | -           | 53/13     |
| AGS2001/B/1<br>A32/B12<br>EEAS28/18DR | . . Nut, stiff, 4BA   | 1       | -           | 53/14     |
|                                       | . . Screw, 4BA, round head  | 1       | -           | 53/15     |
|                                       | . . Washer  | 1       | -           | 53/16     |
| -                                     | FAIRLEAD, AT FRAME 13, INSTALLATION (EG7.81.1667)<br>Consisting of:   | -       | -           | 30/24     |
| EG7.81.1929                           | . . FAIRLEAD, assembly<br>Attaching parts for EG7.81.1929:  | 1       | -           | 30/27     |
| A25/13C<br>SP13/C                     | . . Bolt, 3BA hex. head   | 2       | -           | 30/22     |
|                                       | . . Washer, plain   | 2       | -           | 30/26     |
| R -                                   | FAIRLEAD AT FRAME 29, INSTALLATION (EG7.81.1669) (Pre SAS4745)<br>Consisting of:-                           | -       | -           | 30/23     |
| R EG7.81.1933                         | . . FAIRLEAD, assembly<br>Attaching parts for EG7.81.1933:-   | 1       | -           | 30/21     |
| R A25/4C                              | . . Bolt, 2 BA  | 4       | -           | 30/20     |
| R SP13/C                              | . . Washer, 2 BA  | 4       | -           | 30/19     |
| R 10H/0540103                         | . . PLUG, type 757  | 1       | -           | 30/18     |

## ELECTRICAL

## ELECTRICAL EQUIPMENT IN CENTRE FUSELAGE

| Part Number      | Description  | No.<br>Off | Matl. Spec. | Plate No. |
|------------------|--|------------|-------------|-----------|
|                  |  |            |             |           |
| R -              | . . LIGHTING IN CENTRE FUSELAGE (EG7.81.5331)<br>(Mod 5466)<br>Spares for: - | -          | -           | 59/1      |
| R EG7.11.5141    | . . BLOCK, radius  | 1          | -           | 59/2      |
| R EG7.11.5133    | . . BRACKET, switch mounting   | 1          | -           | 59/3      |
| R EG7.11.5125    | . . BRACKET, lamp mounting<br>Attaching parts for EG7.11.5125:-              | 1          | -           | 59/4      |
| R A25-1-2C       | . . Bolt, 2 BA   | 4          | -           | 59/5      |
| R AGS2001/C/1-66 | . . Nut, stiff, 2 BA   | 4          | -           | 59/6      |
| R SP124/D        | . . Washer   | 4          | -           | 59/7      |
| R EG7.81.5305    | . . CABLE, assembly (See page EA23)<br>called up on EG7.81.5307              | -          | -           |           |
| R                | . . EARTH POINT, E34<br>Consisting of: -                                     |            |             |           |
| R A54/C          | . . NUT, thin, 2 BA  | 2          | -           | 59/8      |
| R AGS2001/C/4    | . . NUT, stiff, 2 BA   | 1          | -           | 59/9      |
| R A43/C40        | . . SCREW, cheese head, 2 BA   | 1          | -           | 59/10     |
| R SP124/D        | . . WASHER   | 2          | -           | 59/11     |
| R SP25/C         | . . WASHER, bonding  | 2          | -           | 59/12     |
| R 5L/9953271     | . . FILAMENT, lamp, 28V 7W   | 1          | -           | 59/13     |
| R E & I 2398     | . . LAMP<br>Attaching parts for E & I 2398:-                                 | 1          | -           | 59/14     |
| R A25-1-2B       | . . Bolt, 4 BA   | 3          | -           | 59/15     |
| R AGS2001/B/1    | . . Nut, stiff, 4 BA   | 3          | -           | 59/16     |
| R SP13/B         | . . Washer   | 3          | -           | 59/17     |
| R C5162/Y MK13   | . . SWITCH<br>Attaching parts for C5162/Y MK13:-                             | 1          | -           | 59/18     |
| R A47/Z          | . . Nut, plain, 8 BA   | 2          | -           | 59/19     |
| R A31/Z8         | . . Screw, cheese head, 8 BA   | 2          | -           | 59/20     |
| R SP47/Z         | . . Washer, spring, 8 BA   | 2          | -           | 59/21     |

ELECTRICAL

ELECTRICAL EQUIPMENT IN CENTRE FUSELAGE

| Part Number | Description<br>1 2 3 4 5 6 | No.<br>Off | Matl. Spec. | Plate No. |
|-------------|----------------------------|------------|-------------|-----------|
|             |                            |            |             |           |

## ELECTRICAL

## ELECTRICAL EQUIPMENT IN CENTRE FUSELAGE

| Part Number     | Description  | No. Off | Matl. Spec. | Plate No. |
|-----------------|--|---------|-------------|-----------|
|                 |  |         |             |           |
| R -             | . LOOMS, CABLE ASSEMBLY (EA3.81.35) (Pre SAS4745)  | -       | -           |           |
| R -             | . LOOMS, CABLE ASSEMBLY (EG7.81.35) (SAS4745)<br>(Pre Mod 5466)  | -       | -           |           |
| R -             | . LOOMS, CABLE ASSEMBLY (EG7.81.5307) (Mod 5466)   | -       | -           |           |
| EA1.81.701/2    | Spares for:-<br>. CABLE, assembly, C32<br>Consisting of:-  | 1       | -           |           |
| EL29312         | . . . CABLE-END  | 1       | -           |           |
| AGS1691/BB      | . . . CABLE-END  | 1       | -           |           |
| UNINYVIN 12     | . . . CABLE, uninyvin 12   | QR      | -           |           |
| UNINYVIN 00     | . . . CABLE, uninyvin 00   | QR      | -           |           |
| 32A/1058027     | . . . CORD, braided waxed  | QR      | -           |           |
| 32B/1250522     | . . . CORD, waxed linen, No.18   | QR      | -           |           |
| 508/2/07871/009 | . . . FERRULE, size 'A'  | 1       | -           |           |
| Z12234/3        | . . . LUG, terminal  | 1       | -           |           |
| AGS1706         | . . . LUG, terminal No.18  | 1       | -           |           |
| EEAS146/C       | . . . SLEEVE, 3/4" long  | 3       | -           |           |
| EEAS146/J       | . . . SLEEVE, 1" long  | 16      | -           |           |
| 2CZ111232 or    | . . . SOCKET, single way, size 'A'   | 1       | -           |           |
| 508/1/03943     | . . . SOCKET, single way, size 'A'   | 1       | -           |           |
| 32B/1255291     | . . . TAPE, lassolastic, 1/2" wide, white  | QR      | -           |           |
| 5F/9401210      | . . . TAPE, empire, 3/4" wide  | QR      | -           |           |
| EA1.81.409      | . . . THIMBLE  | 2       | -           |           |
| EA1.81.704/2    | . . . CABLE, ASSEMBLY, C8, FROM FRONT TRANSPORT<br>JOINT PLUG TO J.B.8, GROUP<br>Consisting of:-   | 1       | -           |           |
| UNINYVIN 20     | . . . CABLE, uninyvin 20   | QR      | -           |           |
| UNIPREN 12      | . . . CABLE, unipren 12  | QR      | -           |           |
| UNINYVIN 12     | . . . CABLE, uninyvin 12   | QR      | -           |           |
| Z18500/D        | . . . FERRULE, size 'D'  | 2       | -           |           |
| Z18501/D        | . . . RING, clamp  | 2       | -           |           |
| Z49428          | . . . SLEEVE, cable  | 40      | -           |           |
| EEAS118/5/C8    | . . . SLEEVE, ident, P.V.C.  | 2       | -           |           |
| EEAS146/A1      | . . . SLEEVE, 3/4" long  | 48      | -           |           |
| EEAS146/C       | . . . SLEEVE, 3/4" long  | 2       | -           |           |
| 508/1/03961     | . . . SOCKET, 26-way, size 'D'   | 2       | -           |           |
| 5F/4349856      | . . . TUBING, P.V.C. 25.4 mm   | QR      | -           |           |
| EA1.81.705/2    | . . . CABLE, ASSEMBLY, C8X, FROM FRONT TRANSPORT<br>JOINT PLUG TO J.B.8, GROUP (Pre SAS4745)<br>Spares for this group are identical with those for<br>group Part No.EA1.81.704/2 except for the<br>following deletion and addition<br>Delete:- | 1       | -           |           |
| EEAS118/5/C8    | . . . SLEEVE, ident, P.V.C.<br>Add:-   | 2       | -           |           |
| EEAS118/5/C8X   | . . . SLEEVE, ident, P.V.C.  | 2       | -           |           |
| EG7.81.2125     | . . . CABLE, ASSEMBLY, C8X (SAS4745)   | 1       | -           |           |
| EA3.81.710/2    | . . . CABLE, ASSEMBLY, 1D, FROM J.B.1 TO<br>UNDERCARRIAGE ACTUATOR VALVE,<br>GROUP<br>Consisting of:-  | 1       | -           |           |
| TRIPREN 12      | . . . CABLE, tripren 12  | QR      | -           |           |

## ELECTRICAL

## ELECTRICAL EQUIPMENT IN CENTRE FUSELAGE

| Part Number     | Description   | No. Off | Matl. Spec. | Plate No. |
|-----------------|---|---------|-------------|-----------|
|                 |   |         |             |           |
| 508/2/07872/009 | . . . FERRULE, cut  | 1       | -           |           |
| Z22431          | . . . GROMMET, Helsyn No.3  | 1       | -           |           |
| EEAS146/A1      | . . . SLEEVE, 3/4" long   | 6       | -           |           |
| EEAS146/D1      | . . . SLEEVE, 1" long   | 2       | -           |           |
| 508/1/03942     | . . . SOCKET, assembly, 4-way, size 'A'   | 1       | -           |           |
| Z19925          | . . . TAG, quick release  | 3       | -           |           |
| Z19980          | . . . THIMBLE, quick release  | 3       | -           |           |
| 32B/1250522     | . . . THREAD, waxed linen, No.18  | QR      | -           |           |
| EA1.81.713/2    | . . . CABLE, ASSEMBLY, C10, FROM TRANSPORT JOINT TO FUSELAGE WING JOINT PLUG CONNECTION FOR J.B.10, GROUP<br>Consisting of: | 1       | -           |           |
| R UNINYVIN 20   | . . . CABLE, uninyvin 20  | QR      | -           |           |
| R UNINYVIN 16   | . . . CABLE, uninyvin 16  | QR      | -           |           |
| R UNINYVIN 12   | . . . CABLE, uninyvin 12  | QR      | -           |           |
| Z18500/C        | . . . FERRULE, size 'C'   | 2       | -           |           |
| Z18501/C        | . . . RING, clamp   | 2       | -           |           |
| EEAS118/4/C10   | . . . SLEEVE, ident, P.V.C.   | 2       | -           |           |
| EEAS146/A1      | . . . SLEEVE, 3/4" long   | 16      | -           |           |
| EEAS146/C       | . . . SLEEVE, 3/4" long   | 4       | -           |           |
| Z49428          | . . . SLEEVE, cable   | 8       | -           |           |
| 508/1/03954     | . . . SOCKET, 14-way, size 'C'  | 2       | -           |           |
|                 | . . . TUBING, P.V.C., 19 mm x 1.2 mm  | QR      | -           |           |
| EA3.81.714/1    | . . . CABLE, ASSEMBLY, 1G, UNDERCARRIAGE VALVE ACTUATOR, FROM J.B.1, GROUP<br>Consisting of:                                | 1       | -           |           |
| R UNINYVIN 20   | . . . CABLE, uninyvin 20  | QR      | -           |           |
| SP93/A12        | . . . GROMMET, rubber   | 1       | -           |           |
| Z22431          | . . . GROMMET, Helsyn, No.3   | 2       | -           |           |
| EEAS146/A1      | . . . SLEEVE, 3/4" long   | 5       | -           |           |
| EEAS146/D1      | . . . SLEEVE, 1" long   | 2       | -           |           |
| 703-2-00315-020 | . . . TAG, quick release  | 5       | -           |           |
| Z19979          | . . . THIMBLE, quick release  | 5       | -           |           |
| EA3.81.718/2    | . . . CABLE, ASSEMBLY, 1H3, FROM No.1 FUEL TANK TERMINAL BOARD TO FUEL COCK, PORT, GROUP<br>Consisting of:                  | 1       | -           |           |
| R UNINYVIN 20   | . . . CABLE, uninyvin 20  | QR      | -           |           |
| 33H/2202125     | . . . CEMENT, Bostik  | QR      | -           |           |
| 508/2/07871/009 | . . . FERRULE, cut  | 1       | -           |           |

## ELECTRICAL

## ELECTRICAL EQUIPMENT IN CENTRE FUSELAGE

| Part Number     | 1 2 3 4 5 6 | Description  | No. | Matl. Spec. | Plate No. |
|-----------------|-------------|--|-----|-------------|-----------|
|                 |             |  | Off |             |           |
| 5K/             |             | SLEEVE, 3/4" long  | 6   | -           |           |
| 5K/             |             | SLEEVE, 1" long  | 2   | -           |           |
| Z49428          |             | SLEEVE, cable  | 3   | -           |           |
| 508/1/03992     |             | SOCKET, 4 pin, size 'A'  | 1   | -           |           |
|                 |             | THREAD, waxed linen, No.18   | QR  | -           |           |
| EA3.81.722/2    |             | CABLE, ASSEMBLY, 1J3, FROM No.2 FUEL TANK<br>TERMINAL BOARD TO FUEL COCK, PORT,<br>GROUP   | 1   | -           |           |
|                 |             | Consisting of:   |     |             |           |
| R UNINYVIN 20   |             | CABLE, uninyvin 20   | QR  | -           |           |
| 33H/2202125     |             | CEMENT, Bostik   | QR  | -           |           |
| 508/2/07871/009 |             | FERRULE, cut   | 1   | -           |           |
| 5K/             |             | SLEEVE, 3/4" long  | 6   | -           |           |
| 5K/             |             | SLEEVE, 1" long  | 2   | -           |           |
| Z49428          |             | SLEEVE, cable  | 3   | -           |           |
| 508/1/03942     |             | SOCKET, 4 pin, size 'A'  | 1   | -           |           |
| 32B/1250522     |             | THREAD, waxed linen, No.18   | QR  | -           |           |
| EA3.81.726/2    |             | CABLE, ASSEMBLY, 1K3, FROM No.2 FUEL TANK<br>TERMINAL BOARD TO FUEL COCK, PORT,<br>GROUP   | 1   | -           |           |
|                 |             | Spares for this group are identical with those for<br>group Part No.EA3.81.718/2 on page EA5 except<br>for the following deletion and addition |     |             |           |
|                 |             | Delete:  |     |             |           |
| 508/1/03992     |             | SOCKET, 4 pin, size 'A'  | 1   | -           |           |
|                 |             | Add:   |     |             |           |
| 508/1/03987     |             | SOCKET, size 'A'   | 1   | -           |           |
| EA3.81.733/1    |             | CABLE, ASSEMBLY, 3C1, BETWEEN FLAME SWITCHES.<br>GROUP (Pre SAS4745)   | 1   | -           |           |
|                 |             | Consisting of:   |     |             |           |
| R UNINYVIN 20   |             | CABLE, uninyvin 20   | QR  | -           |           |
| EEAS146/A       |             | SLEEVE, 1/2" long  | 4   | -           |           |
| EEAS146/C       |             | SLEEVE, 3/4" long  | 2   | -           |           |
| EA3.81.734/1    |             | CABLE, ASSEMBLY, 3D, FROM J.B.3 to BOMB DOOR<br>VALVE ACTUATOR TERMINAL BOARD,<br>GROUP (Pre SAS4745)  | 1   | -           |           |
| EG7.81.2059     |             | CABLE, ASSEMBLY, 3D (SAS4745)  | 1   | -           |           |
|                 |             | Consisting of:   |     |             |           |
| R TRIPREN 12    |             | CABLE, tripren 12  | QR  | -           |           |
| Z22431          |             | GROMMET, No.3  | 1   | -           |           |
| EEAS146/A       |             | SLEEVE, 3/4" long  | 2   | -           |           |
| EEAS146/A1      |             | SLEEVE, 3/4" long  | 4   | -           |           |

## ELECTRICAL

## ELECTRICAL EQUIPMENT IN CENTRE FUSELAGE

| Part Number     | 1 2 3 4 5 6 | Description  | No. Off | Mati. Spec. | Plate No. |
|-----------------|-------------|--|---------|-------------|-----------|
|                 |             |  |         |             |           |
| EEAS146/D1      | . . .       | SLEEVE, 1" long  | 2       | -           |           |
| Z19925          | . . .       | TAG, quick release   | 3       | -           |           |
| Z19980          | . . .       | THIMBLE, quick release   | 3       | -           |           |
| EA1.81.735/2    | . . .       | CABLE, ASSEMBLY, C6, FROM FRONT TRANSPORT JOINT PLUG TO PLUG AT BOMB BAY BULKHEAD, GROUP<br>Spares for this group are identical with those for group Part No. EA1.81.704/2 on page EA4 except for the following deletions and additions<br>Delete: | 1       | -           |           |
| EEAS118/5/C8    | . . .       | SLEEVE, ident, P.V.C.  | 2       | -           |           |
| 508/1/03961     | . . .       | SOCKET, assembly, 26-way, size 'D'<br>Add:   | 2       | -           |           |
| EEAS118/5/C6    | . . .       | SLEEVE, ident, P.V.C.  | 2       | -           |           |
| 2CZ84878        | . . .       | SOCKET, assembly, 26-way, size 'D'   | 2       | -           |           |
| EA1.81.738/2    | . . .       | CABLE, ASSEMBLY, C33, TAILPLANE ACTUATOR SUPPLY FROM FRONT TRANSPORT JOINT TO PLUG AT BOMB BAY BULKHEAD, GROUP<br>Consisting of:   | 1       | -           |           |
| R UNINYVIN 8    | . . .       | CABLE, uninyvin 8  | QR      | -           |           |
| EEAS88/3        | . . .       | FERRULE, size 'C'  | 2       | -           |           |
| Z18501/B        | . . .       | RING, clamp  | 2       | -           |           |
| EEAS118/3/C33   | . . .       | SLEEVE, ident, P.V.C.  | 2       | -           |           |
| EEAS146/D       | . . .       | SLEEVE, 1" long  | 4       | -           |           |
| 508/1/03956     | . . .       | SOCKET, assembly, 4-way, size 'C'  | 2       | -           |           |
| 5F/9130912      | . . .       | TUBING, P.V.C., 15.8 mm x 1 mm   | QR      | -           |           |
| EA3.81.739/2    | . . .       | CABLE, ASSEMBLY, 3D1, FROM TERMINAL BOARD TO BOMB DOOR VALVE ACTUATOR, GROUP<br>(Pre SAS4745)  | 1       | -           |           |
| EG7.81.2060     | . . .       | CABLE, ASSEMBLY, 3D1 (SAS4745)<br>Consisting of:   | 1       | -           |           |
| R TRIPREN 12    | . . .       | CABLE, tripren 12  | QR      | -           |           |
| 33H/2202125     | . . .       | CEMENT, Bostik   | QR      | -           |           |
| 508/2/07872/009 | . . .       | FERRULE, cut   | 1       | -           |           |
| 5K/             | . . .       | SLEEVE, 3/4" long  | 6       | -           |           |
| 5K/             | . . .       | SLEEVE, 1" long  | 2       | -           |           |
| 508/1/03987     | . . .       | SOCKET, 4-way, size 'A'  | 1       | -           |           |
| 32B1250522      | . . .       | THREAD, waxed linen, No.18   | QR      | -           |           |

## ELECTRICAL

## ELECTRICAL EQUIPMENT IN CENTRE FUSELAGE

| Part Number     | Description   | No. Off | Matl. Spec. | Plate No. |   |
|-----------------|---|---------|-------------|-----------|---|
|                 |   |         |             |           | 1 |
| EA3.81.740/2    | . . . CABLE, ASSEMBLY, 3F, FROM J.B.3 TO FLAP VALVE ACTUATOR, GROUP<br>Consisting of:                           | 1       | -           |           |   |
| R TRIPREN 12    | . . . CABLE, tripren 12   | QR      | -           |           |   |
| 33H/2202125     | . . . CEMENT, Bostik  | QR      | -           |           |   |
| 508/2/07872/009 | . . . FERRULE, cut  | 1       | -           |           |   |
| Z22431          | . . . GROMMET, No.3   | 1       | -           |           |   |
| EEAS146/A1      | . . . SLEEVE, 3/4" long   | 6       | -           |           |   |
| EEAS146/D1      | . . . SLEEVE, 1" long   | 2       | -           |           |   |
| 508/1/03987     | . . . SOCKET, 4 pin, size 'A'   | 2       | -           |           |   |
| Z19925          | . . . TAG, quick release  | 3       | -           |           |   |
| Z19980          | . . . THIMBLE, quick release  | 3       | -           |           |   |
| 32B/1250522     | . . . THREAD, waxed linen, No.18  | QR      | -           |           |   |
| EA3.81.748/2    | . . . CABLE, ASSEMBLY, 3J3, FROM No.2 FUEL TANK TERMINAL BOARD TO FUEL COCK, STARBOARD, GROUP<br>Consisting of: | 1       | -           |           |   |
| R UNINYVIN 20   | . . . CABLE, uninyvin 20  | QR      | -           |           |   |
| 33H/2202125     | . . . CEMENT, Bostik  | QR      | -           |           |   |
| 508/2/07871/009 | . . . FERRULE, cut  | 1       | -           |           |   |
| Z49428          | . . . SLEEVE, cable   | 3       | -           |           |   |
| EEAS146/A       | . . . SLEEVE, 3/4" long   | 3       | -           |           |   |
| EEAS146/A1      | . . . SLEEVE, 3/4" long   | 3       | -           |           |   |
| EEAS146/D       | . . . SLEEVE, 1" long   | 2       | -           |           |   |
| 508/1/03987     | . . . SOCKET, 4 pin, size 'A'   | 1       | -           |           |   |
| 32B/1250522     | . . . THREAD, waxed linen, No.18  | QR      | -           |           |   |
| EA3.81.752/2    | . . . CABLE, ASSEMBLY, 3K3, FROM No.3 FUEL TANK TERMINAL BOARD TO FUEL COCK STARBOARD, GROUP<br>Consisting of:  | 1       | -           |           |   |
| R UNINYVIN 20   | . . . CABLE, uninyvin 20  | QR      | -           |           |   |
| 33H/2202125     | . . . CEMENT, Bostik  | QR      | -           |           |   |
| 508/2/07871/009 | . . . FERRULE, cut  | 1       | -           |           |   |
| EEAS146/A1      | . . . SLEEVE, 3/4" long   | 6       | -           |           |   |
| EEAS146/D       | . . . SLEEVE, 1" long   | 2       | -           |           |   |
| Z49428          | . . . SLEEVE, cable   | 3       | -           |           |   |
| 508/1/03987     | . . . SOCKET, 4 pin, size 'A'   | 1       | -           |           |   |
| 32B/1250522     | . . . THREAD, waxed linen, No.18  | QR      | -           |           |   |

## ELECTRICAL

## ELECTRICAL EQUIPMENT IN CENTRE FUSELAGE

| Part Number     | Description   | No. Off | Mati. Spec. | Plate No. |
|-----------------|---|---------|-------------|-----------|
|                 |   |         |             |           |
| EA3.81.753/1    | . . . CABLE, ASSEMBLY, 3L, FROM J.B.3 TO FUEL CONTENTS UNIT TRANSFORMER, No.1 FUEL TANK, GROUP<br>Consisting of:  | 1       | -           |           |
| R UNINYVIN 20   | . . . CABLE, uninyvin 20  | QR      | -           |           |
| Z54184          | . . . GASKET  | 1       | -           |           |
| Z49036          | . . . GASKET, union   | 1       | -           |           |
| Z22431          | . . . GROMMET, No.3   | 1       | -           |           |
| 508/1/07630/003 | . . . OUTLET, angle   | 1       | -           |           |
| 508/2/07752/007 | . . . RING, thrust  | 1       | -           |           |
| 508/2/07708/200 | . . . RING, sealing   | 1       | -           |           |
| 5K/             | . . . SLEEVE, 1/2" long   | 4       | -           |           |
| 5K/             | . . . SLEEVE, 3/4" long   | 3       | -           |           |
| 5K/             | . . . SLEEVE, 1" long   | 2       | -           |           |
| 508/1/40001/320 | . . . SOCKET, 3-way, Mk.4, free   | 1       | -           |           |
| 703-2-00315-020 | . . . TAG, quick release  | 3       | -           |           |
| EA3.81.754/1    | . . . CABLE, ASSEMBLY, 3M, FROM J.B.3 TO FUEL CONTENTS UNIT TRANSFORMER, No.2 FUEL TANK, GROUP<br>Spares for this group are identical with those for group Part No.EA3.81.753/1 | 1       | -           |           |
| EA3.81.755/1    | . . . CABLE, ASSEMBLY, 3N, FROM J.B.3 TO TANK FUEL GAUGE TRANSMITTER, GROUP<br>Spares for this group are identical with those for group Part No.EA3.81.753/1                    | 1       | -           |           |
| EA1.81.756/2    | . . . CABLE, ASSEMBLY, C31, FROM FRONT TRANSPORT JOINT TO No.1 GENERATOR SUPPRESSOR IN PORT WING, GROUP<br>Consisting of:   | 1       | -           |           |
| EL29312         | . . . CABLE-END, trouser  | 1       | -           |           |
| AGS1691/BB      | . . . CABLE-END, crown eye type   | 1       | -           |           |
| R UNINYVIN 12   | . . . CABLE, uninyvin 12  | QR      | -           |           |
| R UNINYVIN 00   | . . . CABLE, uninyvin 00  | QR      | -           |           |
| 33H/2202125     | . . . CEMENT, Bostik  | QR      | -           |           |
| 32A/1058027     | . . . CORD, braided waxed   | QR      | -           |           |
| 508/2/07871/009 | . . . FERRULE, size 'A'   | 1       | -           |           |
| Z12234/3        | . . . LUG, terminal   | 1       | -           |           |

## ELECTRICAL

## ELECTRICAL EQUIPMENT IN CENTRE FUSELAGE

| Part Number    | Description   | No. Off | Matl. Spec. | Plate No. |
|----------------|---|---------|-------------|-----------|
|                |   |         |             |           |
| R AGS1706      | . . . LUG, terminal, No. 18   | 1       | -           |           |
| R EEAS146/C    | . . . SLEEVE, 3/4" long, yellow   | 3       | -           |           |
| R EEAS146/J    | . . . SLEEVE, 1" long, yellow   | 19      | -           |           |
| 2CZ111232      | . . . SOCKET, size 'A'  | 1       | -           |           |
| 32B/1255291    | . . . TAPE, lassolastic, 1/2" wide, white   | QR      | -           |           |
| 5F/9401210     | . . . TAPE, empire, 3/4" wide   | QR      | -           |           |
| EA1.81.409     | . . . THIMBLE, cable end  | 2       | -           |           |
| 32B/1250522    | . . . THREAD, waxed linen, No.18  | QR      | -           |           |
| EA1.81.759/2   | . . . CABLE, ASSEMBLY, C9, GENERAL SERVICES,<br>FROM PRESSURE BULKHEAD TO J.B.9,<br>PORT, WING, GROUP<br>Consisting of: | 1       | -           |           |
| R UNINYVIN 20  | . . . CABLE, uninyvin 20  | QR      | -           |           |
| R UNIPREN 12   | . . . CABLE, unipren 12   | QR      | -           |           |
| R UNINYVIN 12  | . . . CABLE, uninyvin 12  | QR      | -           |           |
| Z18500/C       | . . . FERRULE, size 'C'   | 2       | -           |           |
| Z18501/C       | . . . RING, clamp   | 2       | -           |           |
| EEAS118/4/C9   | . . . SLEEVE, ident, P.V.C.   | 2       | -           |           |
| No. 1 x 3/4"   | . . . SLEEVE, 3/4" long   | 24      | -           |           |
| No. 2 x 3/4"   | . . . SLEEVE, 3/4" long   | 4       | -           |           |
| Z49428         | . . . SLEEVE, cable   | 10      | -           |           |
| 508/1/03954    | . . . SOCKET, 14-way, size 'C'  | 2       | -           |           |
| 5F/9156422     | . . . TUBING, P.V.C., 19 mm x 1.2 mm  | QR      | -           |           |
| EA1.81.774/1   | . . . CABLE, ASSEMBLY, BATTERY LINK, GROUP<br>Consisting of:  | 1       | -           |           |
| R UNINYVIN 2   | . . . CABLE, uninyvin 2   | QR      | -           |           |
| 5J/4335315     | . . . LUG, connector  | 1       | -           |           |
| 5J/4335316     | . . . LUG, connector  | 1       | -           |           |
| EEAS146/J      | . . . SLEEVE, 4 x 1".5  | 2       | -           |           |
| EB7.81.1119 or | . . . CABLE, ASSEMBLY, E1, EARTH CONNECTION<br>FR J.B.1, GROUP (Pre SAS4745)  | 1       | -           |           |
| EA3.81.6189    | . . . CABLE, ASSEMBLY, E1 (SAS4745)<br>Consisting of:   | 1       | -           |           |
| R UNINYVIN 12  | . . . CABLE, uninyvin 12  | QR      | -           |           |
| HV3112         | . . . GROMMET   | 1       | -           |           |
| 12108          | . . . LUG   | 2       | -           |           |
| EEAS146/C      | . . . SLEEVE, 3/4" long   | 4       | -           |           |
| Z19926         | . . . TAG, quick release  | 2       | -           |           |
| Z19981         | . . . THIMBLE, quick release  | 4       | -           |           |

## ELECTRICAL

## ELECTRICAL EQUIPMENT IN CENTRE FUSELAGE

| Part Number                   | Description   | No. Off | Matl. Spec. | Plate No. |
|-------------------------------|---|---------|-------------|-----------|
|                               |   |         |             |           |
| EB7.81.1121 or<br>EA3.81.6193 | . . . CABLE, ASSEMBLY, E3, EARTH CONNECTION FOR<br>J.B.3, GROUP (Pre SAS4745)<br>Spares for this group are identical with those for<br>group Part No.EB7.81.1119 on page EA10 | 1       | -           |           |
| EA3.81.6193                   | . . . CABLE, ASSEMBLY, E3 (SAS4745)   | 1       | -           |           |
| EA3.81.2359/2                 | . . . CABLE, ASSEMBLY, C1, FROM PRESSURE<br>BULKHEAD TO J.B.1, GROUP<br>Consisting of:  | 1       | -           |           |
| R UNINYVIN 20                 | . . . CABLE, uninyvin 20  | QR      | -           |           |
| R UNIPREN 12                  | . . . CABLE, unipren 12   | QR      | -           |           |
| R UNINYVIN 12                 | . . . CABLE, uninyvin 12  | QR      | -           |           |
| Z18500/D                      | . . . FERRULE   | 2       | -           |           |
| Z18501/D                      | . . . RING, clamp   | 2       | -           |           |
| EEAS146/A1                    | . . . SLEEVE, 3/4" long   | 48      | -           |           |
| EEAS146/C                     | . . . SLEEVE, 3/4" long   | 4       | -           |           |
| Z49428                        | . . . SLEEVE, cable   | 26      | -           |           |
| EEAS118/5/C1                  | . . . SLEEVE, ident., P.V.C.  | 2       | -           |           |
| 508/1/03961                   | . . . SOCKET, assembly, size 'D'  | 2       | -           |           |
| 5F/4349856                    | . . . TUBING, P.V.C., 25.4 mm x 1.2 mm  | QR      | -           |           |
| EA3.81.2361/2                 | . . . CABLE, ASSEMBLY, C3, FROM PRESSURE<br>BULKHEAD TO J.B.3, GROUP<br>Consisting of:  | 1       | -           |           |
| R UNINYVIN 20                 | . . . CABLE, uninyvin 20  | QR      | -           |           |
| R UNIPREN 12                  | . . . CABLE, unipren 12   | QR      | -           |           |
| R UNINYVIN 12                 | . . . CABLE, uninyvin 12  | QR      | -           |           |
| Z18500/D                      | . . . FERRULE   | 2       | -           |           |
| Z18501/D                      | . . . RING, clamp   | 2       | -           |           |
| 5K/                           | . . . SLEEVE, 3/4" long   | 62      | -           |           |
| Z49428                        | . . . SLEEVE, cable   | 42      | -           |           |
| EEAS118/5/C3                  | . . . SLEEVE, ident., P.V.C.  | 2       | -           |           |
| 508/1/03961                   | . . . SOCKET, assembly, size 'D'  | 2       | -           |           |
| 5F/4349856                    | . . . TUBING, P.V.C., 25.4 mm x 1.2 mm  | QR      | -           |           |
| EA3.81.2363                   | . . . CABLE, ASSEMBLY, 1H, FROM J.B.1 TO No.1 FUEL<br>TANK TERMINAL BOARD, PORT, GROUP<br>Consisting of:  | 1       | -           |           |
| R UNINYVIN 20                 | . . . CABLE, uninyvin 20  | QR      | -           |           |
| R UNINYVIN 12                 | . . . CABLE, uninyvin 12  | QR      | -           |           |
| Z23672                        | . . . GROMMET, No.5   | 1       | -           |           |
| EEAS146/A                     | . . . SLEEVE, 3/4" long   | 3       | -           |           |
| EEAS146/A1                    | . . . SLEEVE, 3/4" long   | 3       | -           |           |
| EEAS146/C                     | . . . SLEEVE, 3/4" long   | 4       | -           |           |
| EEAS146/C                     | . . . SLEEVE, 1" long   | 2       | -           |           |

## ELECTRICAL

## ELECTRICAL EQUIPMENT IN CENTRE FUSELAGE

| Part Number     | Description   | No. Off | Matl. Spec. | Plate No. |
|-----------------|---|---------|-------------|-----------|
|                 |   |         |             |           |
| 703-2-00315-020 | . . . TAG, quick release  | 3       | -           |           |
| Z19926          | . . . TAG, quick release  | 2       | -           |           |
| Z19981          | . . . THIMBLE, quick release  | 2       | -           |           |
| 5F/9132372      | . . . TUBING, P.V.C., 12.7 mm x 1 mm  | QR      | -           |           |
| EA3.81.2365     | . . . CABLE, ASSEMBLY, 1H1, FROM No.1 FUEL TANK<br>TERMINAL BOARD TO FUEL PUMP<br>SUPPRESSOR, PORT, GROUP<br>Consisting of: | 1       | -           |           |
| EEAS68/6        | . . . ADAPTOR, reducing   | 1       | -           |           |
| UNINYVIN 12     | . . . CABLE, uninyvin 12  | QR      | -           |           |
| 508/2/00721/200 | . . . GASKET, union   | 1       | -           |           |
| AGS1727         | . . . LUG, terminal   | 2       | -           |           |
| 508/2/07658/003 | . . . NUT, union  | 1       | -           |           |
| 508/2/07710/200 | . . . RING, sealing   | 1       | -           |           |
| 508/2/07754/007 | . . . RING, thrust  | 1       | -           |           |
| EEAS146/C       | . . . SLEEVE, 1/2" long   | 4       | -           |           |
| EEAS146/D1      | . . . SLEEVE, 3/4" long   | 2       | -           |           |
| EA3.81.2367/2   | . . . CABLE, ASSEMBLY, 1H2, FROM No.1 FUEL TANK<br>TERMINAL BOARD TO FUEL PUMP<br>SUPPRESSOR, PORT, GROUP<br>Consisting of: | 1       | -           |           |
| EEAS68/6        | . . . ADAPTOR, reducing   | 1       | -           |           |
| UNINYVINMET 12  | . . . CABLE, uninyvinmet 12   | QR      | -           |           |
| 33H/2202125     | . . . CEMENT, Bostik  | QR      | -           |           |
| 508/1/07777/003 | . . . CLAMP, cable  | 1       | -           |           |
| Z2277/2         | . . . FERRULE, cut  | 1       | -           |           |
| 508/2/07721/200 | . . . GASKET, union   | 1       | -           |           |
| AGS1747         | . . . LUG, terminal   | 2       | -           |           |
| 508/2/07754/007 | . . . RING, thrust  | 1       | -           |           |
| EEAS146/C       | . . . SLEEVE, 3/4" long   | 4       | -           |           |
| EEAS146/D1      | . . . SLEEVE, 1" long   | 2       | -           |           |
| 508/1/03945     | . . . SOCKET, assembly, size 'Z'  | 1       | -           |           |
| 5E/4466292      | . . . WIRE, tinned copper, 25 SWG   | QR      | -           |           |
| 5E/9516566      | . . . WIRE, tinned copper, 32 SWG   | QR      | -           |           |
| EA3.81.2369     | . . . CABLE, ASSEMBLY, 1J, FROM J.B.1 TO No.2 FUEL<br>TANK TERMINAL BOARD, PORT, GROUP<br>Consisting of:                    | 1       | -           |           |
| UNINYVIN 20     | . . . CABLE, uninyvin 20  | QR      | -           |           |

## ELECTRICAL

## ELECTRICAL EQUIPMENT IN CENTRE FUSELAGE

| Part Number     | Description  | No. Off | Matl. Spec. | Plate No. |   |
|-----------------|--|---------|-------------|-----------|---|
|                 |  |         |             |           | 1 |
| R UNINYVIN 12   | . . . CABLE, uninyvin 12   | QR      | -           |           |   |
| Z22432          | . . . GROMMET, No.4  | 1       | -           |           |   |
| EEAS146/A       | . . . SLEEVE, 3/4" long  | 3       | -           |           |   |
| EEAS146/A1      | . . . SLEEVE, 3/4" long  | 3       | -           |           |   |
| EEAS146/C       | . . . SLEEVE, 3/4" long  | 4       | -           |           |   |
| EEAS146/G       | . . . SLEEVE, 1" long  | 2       | -           |           |   |
| 703-2-00315-020 | . . . TAG, quick release   | 3       | -           |           |   |
| Z19926          | . . . TAG, quick release   | 2       | -           |           |   |
| Z19981          | . . . THIMBLE, quick release   | 2       | -           |           |   |
| 5F/9139372      | . . . TUBING, P.V.C., 12.7 mm x 1 mm   | QR      | -           |           |   |
| EA3.81.2371     | . . . CABLE, ASSEMBLY, 1J1, FROM No.2 FUEL TANK<br>TERMINAL BOARD TO FUEL PUMP<br>SUPPRESSOR, PORT, GROUP<br>Consisting of:  | 1       | -           |           |   |
| EEAS68/6        | . . . ADAPTOR, reducing  | 1       | -           |           |   |
| R UNINYVIN 12   | . . . CABLE, uninyvin 12   | QR      | -           |           |   |
| 508/2/07721/200 | . . . GASKET, union  | 1       | -           |           |   |
| AGS1747         | . . . LUG, terminal  | 2       | -           |           |   |
| 508/2/07658/003 | . . . NUT, union   | 1       | -           |           |   |
| 508/2/07710/200 | . . . RING, sealing  | 1       | -           |           |   |
| 508/2/07754/007 | . . . RING, thrust   | 1       | -           |           |   |
| EEAS146/C       | . . . SLEEVE, 3/4" long  | 4       | -           |           |   |
| EEAS146/D1      | . . . SLEEVE, 3/4" long  | 2       | -           |           |   |
| EA3.81.2372/2   | . . . CABLE, ASSEMBLY, 1J2, FROM No.2 FUEL TANK<br>SUPPRESSOR TO FUEL PUMP, PORT,<br>GROUP<br>Spares for this group are identical with those<br>for group Part No.EA3.81.2367/2 on page EA12 | 1       | -           |           |   |
| EA3.81.2375     | . . . CABLE, ASSEMBLY, 1K, FROM J.B.1 TO No.3 FUEL<br>TANK TERMINAL BOARD, PORT, GROUP<br>Spares for this group are identical with those<br>for group Part No.EA3.81.2369 on page EA12       | 1       | -           |           |   |
| EA3.81.2377     | . . . CABLE, ASSEMBLY, 1K1, FROM No.3 FUEL TANK<br>TERMINAL BOARD TO FUEL PUMP<br>SUPPRESSOR, GROUP<br>Consisting of:  | 1       | -           |           |   |
| EEAS68/6        | . . . ADAPTOR, reducing  | 1       | -           |           |   |
| R UNINYVIN 12   | . . . CABLE, uninyvin 12   | QR      | -           |           |   |
| 508/2/07721/200 | . . . GASKET, union  | 1       | -           |           |   |

## ELECTRICAL

## ELECTRICAL EQUIPMENT IN CENTRE FUSELAGE

| Part Number     | Description   | No. Off | Matl. Spec. | Plate No. |
|-----------------|---|---------|-------------|-----------|
|                 |   |         |             |           |
| AGS1747         | . . . LUG, terminal   | 2       | -           |           |
| 508/2/07658/003 | . . . NUT, union  | 1       | -           |           |
| 508/2/07710/200 | . . . RING, sealing   | 1       | -           |           |
| 508/2/07754/007 | . . . RING, thrust  | 1       | -           |           |
| EEAS146/C       | . . . SLEEVE, 3/4" long   | 4       | -           |           |
| EEAS146/D       | . . . SLEEVE, 1" long   | 2       | -           |           |
| EA3.81.2379/2   | . . . CABLE, ASSEMBLY, 1K2, FROM No.3 FUEL TANK SUPPRESSOR TO FUEL PUMP, PORT, GROUP<br>Spares for this group are identical with those for group Part No.EA3.81.2367/2 on page EA12   | 1       | -           |           |
| EA3.81.2381     | . . . CABLE, ASSEMBLY, 3H, FROM J.B.3 TO No.1 FUEL TANK TERMINAL BOARD, STARBOARD, GROUP<br>Spares for this group are identical with those for group Part No.EA3.81.2369 on page EA12 except for the following deletion and addition<br>Delete: | 1       | -           |           |
| Z22432          | . . . GROMMET, No.4<br>Add:   | 1       | -           |           |
| Z23672          | . . . GROMMET, No.5   | 1       | -           |           |
| EA3.81.2383     | . . . CABLE, ASSEMBLY, 3H1, FROM No.1 FUEL TANK TERMINAL BOARD TO FUEL PUMP SUPPRESSOR, STARBOARD, GROUP<br>Spares for this group are identical with those for group Part No.EA3.81.2377 on page EA13   | 1       | -           |           |
| EA3.81.2385/2   | . . . CABLE, ASSEMBLY, 3H2, FROM No.1 FUEL TANK SUPPRESSOR TO FUEL PUMP, STARBOARD, GROUP<br>Spares for this group are identical with those for group Part No.EA3.81.2367/2 on page EA12  | 1       | -           |           |
| EA3.81.2387     | . . . CABLE, ASSEMBLY, 3J, FROM J.B.3 TO No.2 FUEL TANK TERMINAL BOARD, GROUP<br>Spares for this group are identical with those for group Part No.EA3.81.2369 on page EA12 except for the following deletion and addition<br>Delete:            | 1       | -           |           |
| Z22432          | . . . GROMMET, No.4<br>Add:   | 1       | -           |           |
| Z23672          | . . . GROMMET, No.5   | 1       | -           |           |

R

## ELECTRICAL

## ELECTRICAL EQUIPMENT IN CENTRE FUSELAGE

| Part Number     | 1 2 3 4 5 6 | Description   | No. Off | Mtl. Spec. | Plate No. |
|-----------------|-------------|---|---------|------------|-----------|
|                 |             |   |         |            |           |
| EA3.81.2389     | . . .       | CABLE, ASSEMBLY, 3J1, FROM No.2 FUEL TANK TERMINAL BOARD TO FUEL PUMP SUPPRESSOR, STARBOARD, GROUP<br>Spares for this group are identical with those for group Part No.EA3.81.2377 on page EA13 | 1       | -          |           |
| EA3.81.2391/2   | . . .       | CABLE, ASSEMBLY, 3J2, FROM No.2 FUEL TANK SUPPRESSOR, TO FUEL PUMP, STARBOARD, GROUP<br>Spares for this group are identical with those for group Part No.EA3.81.2367/2 on page EA12             | 1       | -          |           |
| EA3.81.2393     | . . .       | CABLE, ASSEMBLY, 3K, FROM J.B.3 TO No.3 FUEL TANK TERMINAL BOARD, STARBOARD, GROUP<br>Spares for this group are identical with those for group Part No.EA3.81.2369 on page EA12                 | 1       | -          |           |
| EA3.81.2395     | . . .       | CABLE, ASSEMBLY, 3K1, FROM No.3 FUEL TANK TERMINAL BOARD TO FUEL PUMP SUPPRESSOR, STARBOARD, GROUP<br>Spares for this group are identical with those for group Part No.EA3.81.2377 on page EA13 | 1       | -          |           |
| EA3.81.2397/2   | . . .       | CABLE, ASSEMBLY, 3K2, FROM No.3 FUEL TANK SUPPRESSOR TO FUEL PUMP, STARBOARD, GROUP<br>Spares for this group are identical with those for group Part No.EA3.81.2367/2 on page EA12              | 1       | -          |           |
| EA3.81.2427/2   | . . .       | CABLE, ASSEMBLY, 1F, FROM J.B.1 TO DIVE BRAKE ACTUATOR VALVE, GROUP<br>Consisting of:   | 1       | -          |           |
| R UNINYVIN 18   | . . .       | CABLE, uninynvin 18   | QR      | -          |           |
| 33H/2202125     | . . .       | CEMENT, Bostik  | QR      | -          |           |
| 508/2/07872/009 | . . .       | FERRULE, cut  | 1       | -          |           |
| Z22431          | . . .       | GROMMET, No.3   | 1       | -          |           |
| EEAS146/A1      | . . .       | SLEEVE, 3/4" long   | 6       | -          |           |
| EEAS146/D1      | . . .       | SLEEVE, 1" long   | 2       | -          |           |
| 508/1/03942     | . . .       | SOCKET, assembly, 4-way, size 'A'   | 1       | -          |           |
| Z19925          | . . .       | TAG, quick release  | 3       | -          |           |
| Z19980          | . . .       | THIMBLE, quick release  | 3       | -          |           |
| 32B/1250522     | . . .       | THREAD, waxed linen, No.18  | QR      | -          |           |
| EA3.81.2429/2   | . . .       | CABLE, ASSEMBLY, 1L, FROM J.B.1 TO SOLENOID VALVE, GROUP<br>Consisting of:  | 1       | -          |           |
| R UNINYVIN 20   | . . .       | CABLE, uninynvin 20   | QR      | -          |           |

## ELECTRICAL

## ELECTRICAL EQUIPMENT IN CENTRE FUSELAGE

| Part Number     | Description  | No. Off | Mati. Spec. | Plate No. |
|-----------------|--|---------|-------------|-----------|
|                 |  |         |             |           |
| 508/2/07871/009 | . . . FERRULE, cut   | 1       | —           |           |
| Z22430          | . . . GROMMET, No.2  | 1       | —           |           |
| EEAS146/A1      | . . . SLEEVE, 3/4" long  | 4       | —           |           |
| EEAS146/C       | . . . SLEEVE, 1" long  | 2       | —           |           |
| Z49428          | . . . SLEEVE, cable  | 2       | —           |           |
| 508/1/03986     | . . . SOCKET, assembly   | 1       | —           |           |
| 703-2-00315-020 | . . . TAG, quick release   | 2       | —           |           |
|                 | . . . THREAD, waxed linen, No.18   | QR      | —           |           |
| EA3.81.2541/2   | . . CABLE, ASSEMBLY, 3H3, FROM No.1 FUEL TANK<br>TERMINAL BOARD TO FUEL COCK,<br>STARBOARD, GROUP<br>Consisting of:  | 1       | —           |           |
| R UNINYVIN 20   | . . . CABLE, uninyvin 20   | QR      | —           |           |
| 508/2/07871/009 | . . . FERRULE, cut   | 1       | —           |           |
| EEAS146/A       | . . . SLEEVE, 3/4" long  | 3       | —           |           |
| EEAS146/A1      | . . . SLEEVE, 3/4" long  | 3       | —           |           |
| EEAS146/D       | . . . SLEEVE, 1" long  | 2       | —           |           |
| Z49428          | . . . SLEEVE, cable  | 3       | —           |           |
| 508/1/03987     | . . . SOCKET, 4-way, size 'A'  | 1       | —           |           |
| 32B/1250522     | . . . THREAD, waxed linen, No.18   | QR      | —           |           |
| EA3.81.2553/2   | . . CABLE, ASSEMBLY, C7, GENERAL SERVICES, FROM<br>PRESSURE BULKHEAD TO J.B.7, PORT WING,<br>GROUP<br>Consisting of: | 1       | —           |           |
| R UNINYVIN 20   | . . . CABLE, uninyvin 20   | QR      | —           |           |
| R UNIPREN 12    | . . . CABLE, unipren 12  | QR      | —           |           |
| R UNINYVIN 12   | . . . CABLE, uninyvin 12   | QR      | —           |           |
| Z18500/D        | . . . FERRULE  | 2       | —           |           |
| Z18501/D        | . . . RING, clamp  | 2       | —           |           |
| EEAS146/A1      | . . . SLEEVE, 3/4" long  | 48      | —           |           |
| EEAS146/C       | . . . SLEEVE, 3/4" long  | 2       | —           |           |
| Z49428          | . . . SLEEVE, cable  | 30      | —           |           |
| EEAS118/5/C7    | . . . SLEEVE, ident., P.V.C.   | 2       | —           |           |
| 508/1/04006     | . . . SOCKET, 26-way, size 'D'   | 2       | —           |           |
| 5F/4349856      | . . . TUBING, P.V.C., 25.4 mm x 1.2 mm   | QR      | —           |           |

## ELECTRICAL

## ELECTRICAL EQUIPMENT IN CENTRE FUSELAGE

| Part Number         | Description  | No. Off | Matl. Spec. | Plate No. |
|---------------------|--|---------|-------------|-----------|
|                     |  |         |             |           |
| EA3.81.2555/2       | . . CABLE, ASSEMBLY, C7X, ENGINE SERVICES,<br>FROM PRESSURE BULKHEAD TO J87,<br>PORT WING<br>Spares for this assembly are identical with those<br>for EA3.81.2553/2 on page EA16 except for<br>the following deletion and addition<br>Delete:— | 1       | —           |           |
| EEAS118/5/C7        | . . . SLEEVE, ident., P.V.C.<br>Add:—  | 2       | —           |           |
| EEAS118/5/C7X       | . . . SLEEVE, ident., P.V.C.   | 2       | —           |           |
| EG7.81.1998         | . . CABLE, ASSEMBLY, F454  | 1       | —           |           |
| EG7.81.1995         | . . CABLE, ASSEMBLY, C457  | 1       | —           |           |
| EG7.81.1997         | . . CABLE, ASSEMBLY, C458  | 1       | —           |           |
| EG7.81.1808         | . . CABLE, ASSEMBLY, C460  | 1       | —           |           |
| EG7.81.1809         | . . CABLE, ASSEMBLY, C461  | 1       | —           |           |
| EG7.81.1810         | . . CABLE, ASSEMBLY, C462  | 1       | —           |           |
| EG7.81.1811         | . . CABLE, ASSEMBLY, C463  | 1       | —           |           |
| EG7.81.1813         | . . CABLE, ASSEMBLY, 1C  | 1       | —           |           |
| EG7.81.2825         | . . CABLE, ASSEMBLY, 3A-3B   | 1       | —           |           |
| EG7.81.2941         | . . CABLE, ASSEMBLY, C476  | 1       | —           |           |
| EG7.81.3101         | . . CABLE, ASSEMBLY, 2C503   | 1       | —           |           |
| EG7.81.3443         | . . CABLE, ASSEMBLY, C419  | 1       | —           |           |
| EG7.81.3445         | . . CABLE, ASSEMBLY, F451  | 1       | —           |           |
| EG7.81.3447         | . . CABLE, ASSEMBLY, C503  | 1       | —           |           |
| EG7.81.3463         | . . CABLE, ASSEMBLY, C504  | 1       | —           |           |
| EG7.81.3905         | . . CABLE, ASSEMBLY, F504  | 1       | —           |           |
| EG7.81.3909         | . . CABLE, ASSEMBLY, F550  | 1       | —           |           |
| EG7.81.3911         | . . CABLE, ASSEMBLY, C551  | 1       | —           |           |
| EG7.81.3293         | . . CABLE, ASSEMBLY, C471  | 1       | —           |           |
| EG7.81.3667         | . . CABLE, ASSEMBLY, C470  | 1       | —           |           |
| SMITH'S<br>WAYMOUTH | . . CONNECTOR, type CA/14  | 3       | —           |           |
| SMITH'S<br>WAYMOUTH | . . CONNECTOR, type CA/26  | 3       | —           |           |
| Z22634              | . . GROMMET, dummy (SAS4745)   | 3       | —           |           |

## ELECTRICAL

## ELECTRICAL EQUIPMENT IN CENTRE FUSELAGE

| Part Number          | Description  | No. Off | Mati. Spec. | Plate No. |
|----------------------|--|---------|-------------|-----------|
|                      |  |         |             |           |
| R EG7.81.551         | . . . CABLE, assembly, F450 (Pre Mod 5466)<br>Consisting of:   | 1       | -           |           |
| Uninyvinmetsheath 22 | . . . CABLE, uninyvinmetsheath 22 (SAS4745)  | QR      | -           |           |
| UNINYVIN 12          | . . . CABLE, uninyvin 12   | QR      | -           |           |
| UNINYVIN 20          | . . . CABLE, uninyvin 20   | QR      | -           |           |
| UNITERSIL 20         | . . . CABLE, unifersil 20  | QR      | -           |           |
| Uninyvinmetsheath 16 | . . . CABLE, uninyvinmetsheath 16  | QR      | -           |           |
| Uninyvinmetsheath 20 | . . . CABLE, uninyvinmetsheath 20  | QR      | -           |           |
| 508/1/07780/001      | . . . CLAMP, cable   | 1       | -           |           |
| EEAS559/5            | . . . CLIP, assembly   | 3       | -           |           |
| 323796               | . . . CONNECTOR, butt (SAS4745)  | 2       | -           |           |
| 508/2/07707/300      | . . . GASKET, outlet   | 1       | -           |           |
| 508/2/07724/300      | . . . GASKET, union  | 1       | -           |           |
| 508/1/04585/002      | . . . INSERT, socket, 16   | 18      | -           |           |
| 508/1/05602/002      | . . . INSERT, socket, 16/20 (Pre SAS4745)  | 38      | -           |           |
| 508/1/05602/002      | . . . INSERT, socket, 16/20 (SAS4745)  | 42      | -           |           |
| 508/8/09998          | . . . INSERT, socket, 12   | 14      | -           |           |
| 508/2/07645/001      | . . . OUTLET, straight   | 1       | -           |           |
| 508/2/03547/002      | . . . PIN, plug, 16 (Pre SAS4745)  | 15      | -           |           |
| 508/2/03547/002      | . . . PIN, plug, 16 (SAS4745)  | 19      | -           |           |
| 508/2/05604/002      | . . . PIN, plug, 16/20   | 2       | -           |           |
| 508/1/07035/224      | . . . PLUG, free, Mk.7   | 1       | -           |           |
| UK-AN                |  |         |             |           |
| 9000-20-29P          | . . . PLUG, free   | 1       | -           |           |
| 508/2/04367          | . . . PLUG, filler, 16 (Pre SAS4745)   | 45      | -           |           |
| 508/2/04367          | . . . PLUG, filler, 16 (SAS4745)   | 41      | -           |           |
| 508/2/04368          | . . . PLUG, filler, 12   | 12      | -           |           |
| 508/2/07713/300      | . . . RING, sealing  | 1       | -           |           |
| 508/2/07758/007      | . . . RING, thrust   | 1       | -           |           |
| 22139623             | . . . SLEEVE, blue   | 28      | -           |           |
| 22139628             | . . . SLEEVE, black  | 2       | -           |           |
| EEAS146/16           | . . . SLEEVE, 3/4" long  | QR      | -           |           |
| EEAS146/2            | . . . SLEEVE, 1" long  | QR      | -           |           |
| EEAS146/6            | . . . SLEEVE, 1" long  | QR      | -           |           |
| EEAS146/12           | . . . SLEEVE, 1" long  | QR      | -           |           |
| EEAS146/00           | . . . SLEEVE, 1 1/2" long  | QR      | -           |           |
| UK-AN                |  |         |             |           |
| 8000-32-7S           | . . . SOCKET, fixed  | 2       | -           |           |
| HC296                | . . . TAG, ring tongue   | 2       | -           |           |
| HC304                | . . . TAG, ring tongue   | 1       | -           |           |
| HC306B               | . . . TAG, ring tongue   | 1       | -           |           |
| HC310                | . . . TAG, ring tongue   | 2       | -           |           |
| HC490                | . . . TAG, quick release   | 1       | -           |           |
| R EG7.81.5379        | . . . CABLE, ASSEMBLY, F450 (Mod 5466)   | 1       | -           |           |
| R EG7.81.3443        | . . . CABLE, ASSEMBLY, C419, FROM DISTRIBUTION<br>PANEL TO I.F.F. JUNCTION BOX, GROUP<br>(MOD.4493) (PRE MOD 5466)<br>Consisting of: | 1       | -           |           |
| UNINYVIN 20          | . . . CABLE, uninyvin 20   | QR      | -           |           |
| UNINYVIN 22          | . . . CABLE, uninyvin 22   | QR      | -           |           |
| 33H/2202125          | . . . CEMENT, Bostik, No.771   | QR      | -           |           |
| 508/1/07776/001      | . . . CLAMP, cable   | 1       | -           |           |
| 32A/1058027          | . . . CORD, waxed coreless   | QR      | -           |           |
| 508/2/07705/300      | . . . GASKET, outlet   | 1       | -           |           |

AP101B-0417-3A

## ELECTRICAL

## ELECTRICAL EQUIPMENT IN CENTRE FUSELAGE

| Part Number     | Description  | No. Off | Matl. Spec. | Plate No. |
|-----------------|--|---------|-------------|-----------|
|                 |  |         |             |           |
| 508/2/07719/300 | . . . GASKET, union  | 1       | -           |           |
| AGS1658/0       | . . . NUT, gland   | 1       | -           |           |
| 508/2/07639/001 | . . . OUTLET, straight   | 1       | -           |           |
| 508/2/03547/002 | . . . PIN, plug, 16  | 5       | -           |           |
| 508/2/05604/002 | . . . PIN, plug, 16/20   | 12      | -           |           |
| UK-AN           | . . . PLUG, free   | 1       | -           |           |
| 9000-20-29P     |  |         |             |           |
| 508/2/04367     | . . . PLUG, filler   | 5       | -           |           |
| 508/2/07708/300 | . . . RING, sealing  | 1       | -           |           |
| 508/2/07752/007 | . . . RING, thrust   | 1       | -           |           |
| AGS1688/2       | . . . SLEEVE, slotted, type 1  | 1       | -           |           |
| 2Z139621        | . . . SLEEVE, packing  | 3       | -           |           |
| 2Z139623        | . . . SLEEVE, packing  | 9       | -           |           |
| EEAS146/20      | . . . SLEEVE, 3/4" long  | QR      | -           |           |
| EEAS146/2       | . . . SLEEVE, 1" long  | QR      | -           |           |
| EEAS146/6       | . . . SLEEVE, 1" long  | QR      | -           |           |
| EEAS146/2       | . . . SLEEVE, 1-1/2" long  | QR      | -           |           |
| HC292           | . . . TAG, ring tongue   | 3       | -           |           |
| HC294           | . . . TAG, ring tongue   | 1       | -           |           |
| HC490           | . . . TAG, quick release   | 5       | -           |           |
| R EG7.81.1807   | . . . CABLE, ASSEMBLY, C459, FROM<br>TRANSFORMER, TYPE 5705 TO<br>TRANSFORMER BRACKET, GROUP (PRE MOD 5466)<br>Consisting of:— | 1       | -           |           |
| UNINYVIN 20     | . . . CABLE, uninyvin 20   | QR      | -           |           |
| EEAS146/6       | . . . SLEEVE, 3/4" long  | QR      | -           |           |
| EEAS146/20      | . . . SLEEVE, 3/4" long  | QR      | -           |           |
| EEAS146/6       | . . . SLEEVE, 1-1/2" long  | QR      | -           |           |
| HC292           | . . . TAG, ring tongue   | 3       | -           |           |
| HC294           | . . . TAG, ring tongue   | 3       | -           |           |
| EG7.81.1808     | . . . CABLE, ASSEMBLY, C460, FROM MAIN<br>ELECTRICAL PANEL TO A.C.<br>DISTRIBUTION PANEL, GROUP<br>Consisting of:—             | 1       | -           |           |
| EF3.81.2053     | . . . BOOT   | 3       | -           |           |

## ELECTRICAL

## ELECTRICAL EQUIPMENT IN CENTRE FUSELAGE

| Part Number     | Description   | No. Off | Matl. Spec. | Plate No. |   |
|-----------------|---|---------|-------------|-----------|---|
|                 |   |         |             |           | 1 |
| R UNINYVIN 6    | . . . . CABLE, uninyvin 6   | QR      | -           |           |   |
| Z70020          | . . . . LUG, ring tongue  | 3       | -           |           |   |
| Z70022          | . . . . LUG, ring tongue  | 3       | -           |           |   |
| EEAS146/6       | . . . . SLEEVE, 3/4" long   | QR      | -           |           |   |
| EEAS146/00      | . . . . SLEEVE, 1" long   | QR      | -           |           |   |
| EEAS146/00      | . . . . SLEEVE, 1-1/2" long   | QR      | -           |           |   |
| TYGADURE        | . . . . TYGAFLO   | QR      | -           |           |   |
| LTD T120        |   |         |             |           |   |
| MIDLAND         | . . . . VARNISH   | 1       | -           |           |   |
| SILICONE MS994  |   |         |             |           |   |
| EG7.81.1809     | . . . CABLE, ASSEMBLY, C461, FROM FATIGUE<br>METER TO ARMAMENT SAFETY<br>BREAK, GROUP<br>Consisting of:—          | 1       | -           |           |   |
| R UNINYVIN 20   | . . . . CABLE, uninyvin 20  | QR      | -           |           |   |
| 508/1/07777/001 | . . . . CLAMP, cable  | 1       | -           |           |   |
| 508/2/07705/300 | . . . . GASKET, outlet  | 1       | -           |           |   |
| 508/2/07721/300 | . . . . GASKET, union   | 1       | -           |           |   |
| 508/2/07649/001 | . . . . OUTLET, angle   | 1       | -           |           |   |
| 508/2/07710/300 | . . . . RING, sealing   | 1       | -           |           |   |
| 508/2/07754/007 | . . . . RING, thrust  | 1       | -           |           |   |
| EEAS146/20      | . . . . SLEEVE, 3/4" long   | QR      | -           |           |   |
| EEAS146/12      | . . . . SLEEVE, 1" long   | QR      | -           |           |   |
| EEAS146/12      | . . . . SLEEVE, 1-1/2" long   | QR      | -           |           |   |
| 508/1/07000/220 | . . . . SOCKET, free, Mk. 7   | 1       | -           |           |   |
| HC294           | . . . . TAG, ring tongue  | 1       | -           |           |   |
| HC296           | . . . . TAG, ring tongue  | 1       | -           |           |   |
| TYGADURE LTD    | . . . . TYGAFLO, T120   | QR      | -           |           |   |
| MIDLAND         | . . . . VARNISH   | QR      | -           |           |   |
| SILICONE MS994  |   |         |             |           |   |
| EG7.81.1810     | . . . CABLE, ASSEMBLY, C462, FROM MAIN<br>ELECTRICAL PANEL TO No. 1<br>DISTRIBUTION BOX, GROUP<br>Consisting of:— | 1       | -           |           |   |
| R UNINYVIN 12   | . . . . CABLE, uninyvin 12  | QR      | -           |           |   |
| EEAS146/12      | . . . . SLEEVE, 3/4" long   | QR      | -           |           |   |
| EEAS146/6       | . . . . SLEEVE, 1" long   | QR      | -           |           |   |

AP101B-0417-3A

## ELECTRICAL

## ELECTRICAL EQUIPMENT IN CENTRE FUSELAGE

| Part Number     | Description  | No. Off | Mati. Spec. | Plate No. |
|-----------------|--|---------|-------------|-----------|
|                 |  |         |             |           |
| EEAS146/6       | . . . SLEEVE, 1-1/2" long  | QR      | -           |           |
| HC314A          | . . . TAG, ring tongue   | 2       | -           |           |
| HC510           | . . . TAG, quick release   | 2       | -           |           |
| TYGADURE LTD    | . . . TYGAFLOR, T120   | QR      | -           |           |
| MIDLAND         | . . . VARNISH  | QR      | -           |           |
| SILICONE MS994  |  |         |             |           |
| EG7.81.1811     | . . . CABLE, ASSEMBLY, C463, FROM MAIN ELECTRICAL PANEL TC No. 1 DISTRIBUTION BOX, GROUP Consisting of:— | 1       | -           |           |
| R UNINYVIN 16   | . . . CABLE, uninyvin 16   | QR      | -           |           |
| 508/1/04585/002 | . . . INSERT, socket, 16   | 6       | -           |           |
| 508/2/04367     | . . . PLUG, filler, 16   | 2       | -           |           |
| 2Z139623        | . . . SLEEVE, packing, 16  | 4       | -           |           |
| EEAS146/16      | . . . SLEEVE, 3/4" long  | QR      | -           |           |
| EEAS146/6       | . . . SLEEVE, 1" long  | QR      | -           |           |
| EEAS146/6       | . . . SLEEVE, 1-1/2" long  | QR      | -           |           |
| UK—AN           | . . . SOCKET, fixed  | 1       | -           |           |
| 8000-14S-6S     |  |         |             |           |
| HC304           | . . . TAG, ring tongue   | 4       | -           |           |
| TYGADURE LTD    | . . . TYGAFLOR, T120   | QR      | -           |           |
| MIDLAND         | . . . VARNISH  | QR      | -           |           |
| SILICONE MS994  |  |         |             |           |
| EG7.81.1813     | . . . CABLE, ASSEMBLY, 1C, FROM J.B. No. 1 TO DOWNWARD IDENT LAMP, GROUP Consisting of:—                 | 1       | -           |           |
| R UNINYVIN 20   | . . . CABLE, uninyvin 20   | QR      | -           |           |
| Z22431          | . . . GROMMET, No. 3   | 1       | -           |           |
| EEAS146/20      | . . . SLEEVE, 3/4" long  | QR      | -           |           |
| EEAS146/12      | . . . SLEEVE, 1" long  | QR      | -           |           |
| HC296           | . . . TAG, ring tongue   | 2       | -           |           |
| HC490           | . . . TAG, quick release   | 2       | -           |           |
| TYGADURE LTD    | . . . TYGAFLOR, T120   | QR      | -           |           |
| MIDLAND         | . . . VARNISH  | QR      | -           |           |
| SILICONE MS994  |  |         |             |           |

## ELECTRICAL

## ELECTRICAL EQUIPMENT IN CENTRE FUSELAGE

| Part Number     | Description   | No. Off | Matl. Spec. | Plate No. |
|-----------------|---|---------|-------------|-----------|
|                 |   |         |             |           |
| EG7.81.3101     | CABLE, ASSEMBLY, 2C503, FROM PLUG<br>BREAK AT FRAME 22 TO MICRO<br>SWITCH IN BOMB BAY PACK,<br>GROUP<br>Consisting of:—   | 1       | -           |           |
| R UNINYVIN 20   | CABLE, uninyvin 20  | QR      | -           |           |
| SP40/A8         | GROMMET, rubber   | 1       | -           |           |
| 508/2/03547/002 | PIN, plug, 16   | 2       | -           |           |
| 508/2/05604/002 | PIN, plug, 16/20  | 4       | -           |           |
| UK—AN           | PLUG, free  | 1       | -           |           |
| 9000-14S-6P     |   |         |             |           |
| 508/2/04367     | PLUG, filler, 16  | QR      | -           |           |
| R HT30-1/2      | SLEEVE, Helsyn, 150 white, 1/2" long  | 2       | -           |           |
| R HT50-1/2      | SLEEVE, Helsyn, 150 white, 1/2" long  | 1       | -           |           |
| 2Z139623        | SLEEVE, packing   | QR      | -           |           |
| EEAS146/20      | SLEEVE, 3/4" long   | QR      | -           |           |
| EEAS146/6       | SLEEVE, 1" long   | QR      | -           |           |
| EEAS146/12      | SLEEVE, 1" long   | QR      | -           |           |
| EEAS146/6       | SLEEVE, 1-1/2" long   | QR      | -           |           |
| HC296           | TAG, ring tongue  | 4       | -           |           |
| TYGADURE LTD    | TYGAFLOR, T120  | QR      | -           |           |
| MIDLAND         | VARNISH   | QR      | -           |           |
| SILICONE MS994  |   |         |             |           |
| EG7.81.1995     | CABLE, ASSEMBLY, C457, FROM No. 1<br>DISTRIBUTION BOX TO No. 2<br>DISTRIBUTION BOX AND MAIN<br>EQUIPMENT BAY INSTRUMENT<br>SUPPLIES TRANSFORMER, GROUP<br>Consisting of:— | 1       | -           |           |
| R UNINYVIN 16   | CABLE, uninyvin 16  | QR      | -           |           |
| R UNINYVIN 20   | CABLE, uninyvin 20  | QR      | -           |           |
| 508/1/04585/002 | INSERT, socket  | 6       | -           |           |
| 508/2/03547/002 | PIN, plug   | 7       | -           |           |
| 508/2/05604/002 | PIN, plug   | 3       | -           |           |
| UK—AN           | PLUG, free  | 1       | -           |           |
| 9000-18/1P      |   |         |             |           |
| 508/2/04367     | PLUG, filler  | 1       | -           |           |
| 2Z139623        | SLEEVE, packing   | QR      | -           |           |
| EEAS146/20      | SLEEVE, 3/4" long   | QR      | -           |           |

ELECTRICAL

ELECTRICAL EQUIPMENT IN CENTRE FUSELAGE

| Part Number     | Description   | No. Off | Mati. Spec. | Plate No. |
|-----------------|---|---------|-------------|-----------|
|                 |   |         |             |           |
| EEAS146/2       | . . . SLEEVE, 1" long   | QR      | -           |           |
| EEAS146/6       | . . . SLEEVE, 1" long   | QR      | -           |           |
| EEAS146/2       | . . . SLEEVE, 1½" long  | QR      | -           |           |
| UK-AN           |   |         |             |           |
| 9000-14S-6S     | . . . SOCKET, free  | 1       | -           |           |
| HC294           | . . . TAG, ring tongue  | 3       | -           |           |
| EG7.81.3447     | . . . CABLE, ASSEMBLY, C503, FROM PRESSURE BULKHEAD TO No.1 DISTRIBUTION BOX, No.2 DISTRIBUTION BOX, PLUG BREAK FORWARD WAVE, GUIDE SWITCH, MAIN ELECTRICAL PANEL AND PLUG BREAK FRAME 22, GROUP (MOD 4493) (PRE MOD 5466)<br>Consisting of:- | 1       | -           |           |
| UNINYVIN 12     | . . . CABLE, uninyvin 12  | QR      | -           |           |
| UNINYVIN 18     | . . . CABLE, uninyvin 18 (SAS4745)  | QR      | -           |           |
| UNINYVIN 16     | . . . CABLE, uninyvin 16  | QR      | -           |           |
| UNINYVIN 20     | . . . CABLE, uninyvin 20  | QR      | -           |           |
| 2CZ138846       | . . . INSERT, socket  | 3       | -           |           |
| 508/1/04585/002 | . . . INSERT, socket  | 8       | -           |           |
| 508/1/05602/002 | . . . INSERT, socket  | 8       | -           |           |
| 2Z111033        | . . . PIN, plug   | 2       | -           |           |
| 508/2/03547/002 | . . . PIN, plug (Pre SAS4745)   | 9       | -           |           |
| 508/2/03547/002 | . . . PIN, plug (SAS4745)   | 13      | -           |           |
| 508/2/05604/002 | . . . PIN, plug   | 7       | -           |           |
| UK-AN           |   |         |             |           |
| 9000-24-7P      | . . . PLUG, free  | 1       | -           |           |
| 508/2/04367     | . . . PLUG, filler (Pre SAS4745)  | 12      | -           |           |
| 508/2/04367     | . . . PLUG, filler (SAS4745)  | 8       | -           |           |
| 508/2/04368     | . . . PLUG, filler  | 1       | -           |           |
| 2Z139623        | . . . SLEEVE, packing   | QR      | -           |           |
| 2Z139628        | . . . SLEEVE, packing   | QR      | -           |           |
| EEAS146/12      | . . . SLEEVE, 1/4" long   | QR      | -           |           |
| EEAS146/20      | . . . SLEEVE, 3/4" long   | QR      | -           |           |
| EEAS146/2       | . . . SLEEVE, 1" long   | QR      | -           |           |
| EEAS146/6       | . . . SLEEVE, 1" long   | QR      | -           |           |
| EEAS146/2       | . . . SLEEVE, 1½" long  | QR      | -           |           |
| UK-AN           |   |         |             |           |
| 8000-14S-6S     | . . . SOCKET, fixed   | 1       | -           |           |
| UK-AN           |   |         |             |           |
| 9000-14S-2S     | . . . SOCKET, free  | 1       | -           |           |
| UK-AN           |   |         |             |           |
| 9000-20-18S     | . . . SOCKET, free  | 1       | -           |           |
| HC490           | . . . TAG, QR   | 7       | -           |           |
| EG7.81.5365     | . . . CABLE, ASSEMBLY, C503 (MOD 5466) (MOD 5541)   | 1       | -           |           |
| EG7.81.5289     | . . . CABLE, ASSEMBLY, C501 (MOD 5466)  | 1       | -           |           |
| EG7.81.5291     | . . . CABLE, ASSEMBLY, C502 (MOD 5466)  | 1       | -           |           |
| EA1.81.774/1    | . . . CABLE, ASSEMBLY, Battery link (Mod 5466)  | 1       | -           |           |
| EG7.81.5309     | . . . CABLE, ASSEMBLY, C600 (MOD 5466)  | 1       | -           |           |
| EG7.81.5311     | . . . CABLE, ASSEMBLY, C601 (MOD 5466)  | 1       | -           |           |
| EG7.81.5305     | . . . CABLE, ASSEMBLY, C602 (MOD 5466)  | 1       | -           |           |
| EG7.81.5293     | . . . CABLE, ASSEMBLY, C603 (MOD 5466)  | 1       | -           |           |

R

## ELECTRICAL

## ELECTRICAL EQUIPMENT IN CENTRE FUSELAGE

| Part Number           | Description   | No.<br>Off | Matl. Spec. | Plate No. |
|-----------------------|---|------------|-------------|-----------|
|                       |   |            |             |           |
| EG7.81.1997           | . . . CABLE, ASSEMBLY, C458, FROM No.1 DISTRIBUTION BOX TO EARTH POINT E18, GROUP<br>Consisting of:                       | 1          | —           |           |
| UNITERSIL 18          | . . . . CABLE, unifersil 18   | QR         | —           |           |
| EEAS146/12            | . . . . SLEEVE, 3/4" long   | QR         | —           |           |
| EEAS146/2             | . . . . SLEEVE, 1" long   | QR         | —           |           |
| EEAS146/6             | . . . . SLEEVE, 1" long   | QR         | —           |           |
| EEAS146/6             | . . . . SLEEVE, 1 1/2" long   | QR         | —           |           |
| A.M.P. LTD.<br>150741 | . . . . TAG, ring tongue (Pre SAS4745)  | 4          | —           |           |
| HC316D                | . . . . TAG, RT (SAS4745)   | 4          | —           |           |
| A.M.P. LTD.<br>323069 | . . . . TAG, ring tongue  | 2          | —           |           |
| A.M.P. LTD.<br>323070 | . . . . TAG, ring tongue  | 2          | —           |           |
| EG7.81.1998           | . . . CABLE, ASSEMBLY, F454, FROM PRESSURE BULKHEAD TO No.1 DISTRIBUTION BOX AND CONTACTOR PANEL, GROUP<br>Consisting of: | 1          | —           |           |
| UNINYVIN 20           | . . . . CABLE, uninyvin 20  | QR         | —           |           |
| 508/1/04585/002       | . . . . INSERT, socket  | 3          | —           |           |
| 508/1/05602/002       | . . . . INSERT, socket  | 3          | —           |           |
| R 508/2/04367         | . . . . PLUG, filler  | QR         | —           |           |
| 2Z139623              | . . . . SLEEVE, packing   | QR         | —           |           |
| EEAS146/20            | . . . . SLEEVE, 3/4" long   | QR         | —           |           |
| EEAS146/6             | . . . . SLEEVE, 1" long   | QR         | —           |           |
| EEAS146/12            | . . . . SLEEVE, 1" long   | QR         | —           |           |
| UK-AN<br>9000-14S-6S  | . . . . SOCKET, free  | 1          | —           |           |
| HC294                 | . . . . TAG, ring tongue  | 5          | —           |           |

## ELECTRICAL

## ELECTRICAL EQUIPMENT IN CENTRE FUSELAGE

| Part Number     | Description   | No. Off | Matl. Spec. | Plate No. |
|-----------------|---|---------|-------------|-----------|
|                 |   |         |             |           |
| EG7.81.2059     | . . . CABLE, ASSEMBLY, 3D, FROM J.B.3 TO BOMB DOOR VALVE ACTUATOR TERMINAL BLOCK, GROUP<br>Consisting of: | 1       | --          |           |
| R TRIPREN 12    | . . . CABLE, tripren 12   | QR      | --          |           |
| Z22431          | . . . GROMMET, No.3   | 1       | --          |           |
| EEAS146/A       | . . . SLEEVE, 3/4" long   | 4       | --          |           |
| EEAS146/A1      | . . . SLEEVE, 3/4" long   | 4       | --          |           |
| EEAS146/D1      | . . . SLEEVE, 1" long   | 2       | --          |           |
| EEAS146/6       | . . . SLEEVE, 3/4" long   | 4       | --          |           |
| EEAS146/6       | . . . SLEEVE, 1 1/2" long   | 1       | --          |           |
| HC500           | . . . TAG, quick release  | 3       | --          |           |
| Z19980          | . . . THIMBLE   | 3       | --          |           |
| EG7.81.2060     | . . . CABLE, ASSEMBLY, 3D1, FROM BOMB DOOR VALVE TO TERMINAL BLOCK, GROUP<br>Consisting of:               | 1       | --          |           |
| R TRIPREN 12    | . . . CABLE, tripren 12   | QR      | --          |           |
| 508/2/07872/009 | . . . FERRULE, size 'A'   | 1       | --          |           |
| EEAS146/A1      | . . . SLEEVE, 3/4" long   | 6       | --          |           |
| EEAS146/6       | . . . SLEEVE, 3/4" long   | 2       | --          |           |
| EEAS146/D1      | . . . SLEEVE, 1" long   | 2       | --          |           |
| EEAS146/6       | . . . SLEEVE, 1 1/2" long   | 1       | --          |           |
| 508/1/03987     | . . . SOCKET, size 'A'  | 1       | --          |           |
| 32B/1250522     | . . . THREAD, waxed linen, No.18  | QR      | --          |           |
| EG7.81.2125     | . . . CABLE, ASSEMBLY, C8X, FROM FRONT TRANSPORT JOINT PLUG TO J.B.8. GROUP<br>Consisting of:             | 1       | --          |           |
| R UNINYVIN 20   | . . . CABLE, uninyvin 20  | QR      | --          |           |
| R UNIPREN 12    | . . . CABLE, unipren 12   | QR      | --          |           |
| R UNINYVIN 12   | . . . CABLE, uninyvin 12  | QR      | --          |           |
| Z18500/D        | . . . FERRULE, size 'D'   | 2       | --          |           |
| 508/1/11188     | . . . INSERT, socket  | 4       | --          |           |
| Z18501/D        | . . . RING, clamp   | 2       | --          |           |
| Z49428          | . . . SLEEVE, packing   | QR      | --          |           |
| EEAS118/5/C8X   | . . . SLEEVE, P.V.C. ident.   | 2       | --          |           |
| EEAS146/A1      | . . . SLEEVE, 3/4" long   | QR      | --          |           |
| EEAS146/C       | . . . SLEEVE, 3/4" long   | QR      | --          |           |
| EEAS146/16      | . . . SLEEVE, 3/4" long   | QR      | --          |           |
| 2CZ111238       | . . . SOCKET, assembly, 26-way, size 'D'  | 2       | --          |           |
| 5F/4349856      | . . . TUBING, P.V.C., 25.4 mm x 1.2 mm  | QR      | --          |           |

## ELECTRICAL

## ELECTRICAL EQUIPMENT IN CENTRE FUSELAGE

| Part Number                   | Description  | No. Off | Mati. Spec. | Plate No. |
|-------------------------------|--|---------|-------------|-----------|
|                               |  |         |             |           |
| EG7.81.2185<br>or             | . . . CABLE, ASSEMBLY, C470, FROM No.1 DISTRIBUTION<br>BOX TO FRAME 'B' NOSE TEST PANEL,<br>GROUP    | 1       | -           |           |
| R EG7.81.3667                 | . . . CABLE, ASSEMBLY, C470 (PRE MOD 5466)<br>Consisting of:-  | 1       | -           |           |
| UNINYVIN 20<br>BENDIX         | . . . . CABLE, uninyvin 20   | QR      | -           |           |
| 10-101964-83<br>BENDIX        | . . . . CAP, protection  | 1       | -           |           |
| 10-101964-103<br>BENDIX       | . . . . CAP, protection  | 1       | -           |           |
| 10-101033-10<br>EEAS563       | . . . . PLUG, filler   | 2       | -           |           |
| EEAS146/20                    | . . . . SLEEVE, special  | 1       | -           |           |
| EEAS146/2                     | . . . . SLEEVE, 3/4" long  | QR      | -           |           |
| EEAS146/12                    | . . . . SLEEVE, 1" long  | QR      | -           |           |
| BENDIX                        | . . . . SLEEVE, 1" long  | QR      | -           |           |
| P.T.07.SE.8.33S(SR)<br>BENDIX | . . . . SOCKET, fixed, pygmy   | 1       | -           |           |
| P.T.07.SE.10.6S(SR)           | . . . . SOCKET, fixed, pygmy   | 1       | -           |           |
| HC294                         | . . . . TAG, ring tongue   | 6       | -           |           |
| HC295                         | . . . . TAG, ring tongue   | 1       | -           |           |
| EG7.81.2187                   | . . . CABLE, ASSEMBLY, C471, FROM No.1 DISTRIBUTION<br>BOX TO TEST PANEL, GROUP<br>(PRE ALT.R60/114) | 1       | -           |           |
| R EG7.81.3293                 | . . . CABLE, ASSEMBLY, C471 (ALT.R60/114)<br>(PRE MOD 5466)<br>Spares for EG7.81.2187:-              | 1       | -           |           |
| UNINYVIN 20                   | . . . . CABLE, uninyvin 20   | QR      | -           |           |
| EEAS146/20                    | . . . . SLEEVE, 3/4" long  | QR      | -           |           |
| EEAS146/2                     | . . . . SLEEVE, 1" long  | QR      | -           |           |
| HT50-½                        | . . . . SLEEVING, Helsyn 150, 1/2" long, white<br>Spares for EG7.81.3293:-                           | QR      | -           |           |
| HC294                         | . . . . TAG, ring tongue   | 10      | -           |           |

## ELECTRICAL

## ELECTRICAL EQUIPMENT IN CENTRE FUSELAGE

| Part Number     | Description  | No. Off | Matl. Spec. | Plate No. |
|-----------------|--|---------|-------------|-----------|
|                 |  |         |             |           |
| HC294           | . . . TAG, ring tongue   | 5       | -           |           |
| EG7.81.3445     | . . . CABLE, ASSEMBLY, F451, FROM PRESSURE BULKHEAD TO WING ROOTS, PORT AND STARBOARD, No.1 DISTRIBUTION BOX AND CONTACTOR PANEL, LOGIC UNIT AND No.2 DISTRIBUTION BOX, GROUP (MOD.4493)<br>Consisting of: | 1       | -           |           |
| R UNINYVIN 16   | . . . CABLE, uninyvin 16   | QR      | -           |           |
| R UNINYVIN 20   | . . . CABLE, uninyvin 20   | QR      | -           |           |
| R UNINYVIN 22   | . . . CABLE, uninyvin 22   | QR      | -           |           |
| 508/1/04585/002 | . . . INSERT, socket, 16   | 16      | -           |           |
| 508/1/05602/002 | . . . INSERT, socket, 16/20  | 38      | -           |           |
| 508/2/03547/002 | . . . PIN, plug, 16  | 17      | -           |           |
| 508/2/05604/002 | . . . PIN, plug, 16/20   | 20      | -           |           |
| UK-AN           |  |         |             |           |
| 9000-28-21P     | . . . PLUG, free   | 1       | -           |           |
| 508/2/04367     | . . . PLUG, filler   | QR      | -           |           |
| HT50-½          | . . . SLEEVE, Helsyn, 150 white, 1/2" long   | QR      | -           |           |
| HT75-½          | . . . SLEEVE, Helsyn, 150 white, 1/2" long   | QR      | -           |           |
| HT100-½         | . . . SLEEVE, Helsyn, 150 white, 1/2" long   | QR      | -           |           |
| 2Z139621        | . . . SLEEVE, packing  | QR      | -           |           |
| 2Z139623        | . . . SLEEVE, packing  | QR      | -           |           |
| EEAS146/20      | . . . SLEEVE, 3/4" long  | QR      | -           |           |
| EEAS146/2       | . . . SLEEVE, 1" long  | QR      | -           |           |
| EEAS146/6       | . . . SLEEVE, 1" long  | QR      | -           |           |
| EEAS146/00      | . . . SLEEVE, 1" long  | QR      | -           |           |
| EEAS146/00      | . . . SLEEVE, 1½" long   | QR      | -           |           |
| UK-AN           |  |         |             |           |
| 8000-24-28S     | . . . SOCKET, fixed  | 2       | -           |           |
| UK-AN           |  |         |             |           |
| 9000-14S-6S     | . . . SOCKET, free   | 1       | -           |           |

## ELECTRICAL

## ELECTRICAL EQUIPMENT IN CENTRE FUSELAGE

| Part Number                  | 1 2 3 4 5 6 | Description   | No.<br>Off | Matl. Spec. | Plate No. |
|------------------------------|-------------|---|------------|-------------|-----------|
|                              |             |   |            |             |           |
| UK-AN                        |             |   |            |             |           |
| 9000-16-1S                   | . . .       | SOCKET, free  | 1          | -           |           |
| HC290                        | . . .       | TAG, ring tongue  | 6          | -           |           |
| HC294                        | . . .       | TAG, ring tongue  | 17         | -           |           |
| HC296                        | . . .       | TAG, ring tongue  | 11         | -           |           |
| HC304                        | . . .       | TAG, ring tongue  | 12         | -           |           |
| HC490                        | . . .       | TAG, quick release  | 4          | -           |           |
| TYGADURE LTD.                | . . .       | TYGAGLOR, T120  | QR         | -           |           |
| MIDLAND<br>SILICONE<br>MS994 | . . .       | VARNISH   | QR         | -           |           |
| EG7.81.2941                  | . . .       | CABLE, ASSEMBLY, C476, FROM J.B.3 TO FIRE<br>BOTTLE FORWARD FRAME 13 AND AFT<br>FRAME 29, GROUP<br>Consisting of: | 1          | -           |           |
| UNINYVIN 20                  | . . .       | CABLE, uninyvin 20  | QR         | -           |           |
| EEAS294/1                    | . . .       | CLAMP, cable  | 2          | -           |           |
| EEAS274                      | . . .       | FERRULE, assembly   | 2          | -           |           |
| 2Z139098/A                   | . . .       | GASKET, ferrule   | 2          | -           |           |
| 508/2/07719/300              | . . .       | GASKET, union   | 2          | -           |           |
| Z22432                       | . . .       | GROMMET, No.4   | 1          | -           |           |
| 508/2/07708/300              | . . .       | RING, sealing   | 2          | -           |           |
| 508/2/07752/007              | . . .       | RING, thrust  | 2          | -           |           |
| Z49428                       | . . .       | SLEEVE, packing   | QR         | -           |           |
| EEAS146/20                   | . . .       | SLEEVE, 3/4" long   | QR         | -           |           |
| EEAS146/6                    | . . .       | SLEEVE, 1" long   | QR         | -           |           |
| 508/1/03986                  | . . .       | SOCKET, standard  | 2          | -           |           |
| HC296                        | . . .       | TAG, ring tongue  | 2          | -           |           |
| HC490                        | . . .       | TAG, quick release  | 6          | -           |           |
| EG7.81.3463                  | . . .       | CABLE, assembly, C504 (Mod.4865 Part A)   | 1          | -           |           |
| EG7.81.3905                  | . . .       | CABLE, assembly, F504 (Mod.4865 Part A)   | 1          | -           |           |
| EG7.81.3909                  | . . .       | CABLE, assembly, F550 (Mod.4865 Part A)   | 1          | -           |           |
| EG7.81.3911                  | . . .       | CABLE, assembly, C551 (Mod.4865 Part A)   | 1          | -           |           |
| R -                          | . . .       | CONNECTIONS, ELECTRICAL, IN CENTRE<br>FUSELAGE (EG7.81.1801)<br>(PRE MOD 5466)                                    | -          | -           |           |
| R -                          | . . .       | CONNECTIONS, ELECTRICAL, IN CENTRE<br>FUSELAGE (EG7.81.5413) (MOD 5466)<br>Spares for:-                           | -          | -           |           |
| R UNITERSIL 20               | . . .       | CABLE, unifersil 20   | QR         | -           |           |
| R EEAS146/20                 | . . .       | SLEEVE, 3/4" long   | QR         | -           |           |
| R WB1114/22                  | . . .       | SPACER  | 6          | -           |           |
| R AS10512/A5                 | . . .       | SWITCH, SP (Mod 5466)   | 1          | -           |           |
| R AS10512/M1                 | . . .       | SHROUD, terminal (Mod 5466)   | 1          | -           |           |
| R IS0492                     | . . .       | TAG, RT, 4 BA   | 12         | -           |           |

## ELECTRICAL

## ELECTRICAL EQUIPMENT IN CENTRE FUSELAGE

| Part Number     | Description   | No.<br>Off | Mtl. Spec. | Plate No. |
|-----------------|---|------------|------------|-----------|
|                 |   |            |            |           |
| -               | . LOOMS, CABLE, INSTRUMENT, ASSEMBLY (EA3.81.45)<br>(PRE SAS4745)   | -          | -          |           |
| -               | . LOOMS, CABLE, ASSEMBLY (EG7.81.3785) (SAS4745)  | -          | -          |           |
| EA3.81.936      | Spares for:<br>. . . CABLE, ASSEMBLY, D1C-D1B, DETECTOR UNIT,<br>FROM PRESSURE BULKHEAD TO WING ROOT<br>CONNECTION, GROUP<br>Consisting of: | 1          | -          |           |
| 5E/1116744      | . . . CABLE, miniature, type 12B  | QR         | -          |           |
| 508/2/07851/009 | . . . FERRULE, outer  | 1          | -          |           |
| 508/2/07833/009 | . . . FERRULE, inner  | 1          | -          |           |
| 508/2/07706/200 | . . . GASKET, outlet  | 2          | -          |           |
| 508/1/07602/003 | . . . OUTLET, straight  | 1          | -          |           |
| 508/1/40029/320 | . . . PLUG, body  | 1          | -          |           |
| 508/2/07709/200 | . . . RING, sealing   | 2          | -          |           |
| EEAS146/A1      | . . . SLEEVE, 3/4" long   | QR         | -          |           |
| EEAS146/F       | . . . SLEEVE, 1" long   | QR         | -          |           |
| 508/1/40009/320 | . . . SOCKET  | 1          | -          |           |
| EA3.81.938      | . . . CABLE, ASSEMBLY, AU1-AU1A, FROM PRESSURE<br>BULKHEAD TO AIR MILEAGE UNIT, PORT<br>WING, GROUP (PRE SAS4745)<br>Consisting of:         | 1          | -          |           |
| 5E/1116734      | . . . CABLE, miniature, 6B  | QR         | -          |           |
| 508/2/07834/009 | . . . FERRULE, outer  | 2          | -          |           |
| 508/2/07825/009 | . . . FERRULE, inner  | 2          | -          |           |
| 508/2/07705/200 | . . . GASKET, outlet  | 2          | -          |           |
| 508/1/07621/003 | . . . OUTLET, straight  | 2          | -          |           |
| 508/1/40023/320 | . . . PLUG, 6-way, Mk.4, free   | 1          | -          |           |
| 508/2/07708/200 | . . . RING, sealing   | 2          | -          |           |
| EEAS146/A1      | . . . SLEEVE, 3/4" long   | QR         | -          |           |
| EEAS146/E       | . . . SLEEVE, 1" long   | QR         | -          |           |
| 508/1/40003-320 | . . . SOCKET, 6-way, Mk.4, free   | 1          | -          |           |

## ELECTRICAL

## ELECTRICAL EQUIPMENT IN CENTRE FUSELAGE

| Part Number                     | Description   | No.<br>Off | Mati. Spec. | Plate No. |
|---------------------------------|---|------------|-------------|-----------|
|                                 |   |            |             |           |
| EA3.81.941                      | . . . CABLE, ASSEMBLY, AU2-AU2A, FROM PRESSURE BULKHEAD CONNECTION TO AIR MILEAGE UNIT, PORT WING, GROUP (PRE SAS4745)<br>Spares for this group are identical with those for group Part No. EA3.81.938 on page EA29 | 1          | —           |           |
| EA3.81.969<br>or<br>EA3.81.6185 | . . . CABLE, ASSEMBLY, AU3-E11, FROM AIR MILEAGE UNIT TO EARTH CONNECTION, GROUP (PRE SAS4745)<br>Consisting of:  | 1          | —           |           |
| Uninyvinmetsheath 20            | . . . CABLE, uninyvinmetsheath 20   | QR         | —           |           |
| 508/1/07776/003                 | . . . CLAMP, cable  | 1          | —           |           |
| 508/2/07705/200                 | . . . GASKET, outlet  | 1          | —           |           |
| 508/1/07621/003                 | . . . OUTLET, straight  | 1          | —           |           |
| 508/2/07708/200                 | . . . RING, sealing   | 1          | —           |           |
| 508/2/07752/007                 | . . . RING, thrust  | 1          | —           |           |
| EEAS146/A                       | . . . SLEEVE, 3/4" long   | QR         | —           |           |
| EEAS146/B                       | . . . SLEEVE, 1" long   | QR         | —           |           |
| 508/1/40000/320                 | . . . SOCKET, 2-way, Mk.4   | 1          | —           |           |
| Z56547                          | . . . TAG, quick release  | 2          | —           |           |
| Z19981                          | . . . THIMBLE, quick release  | 2          | —           |           |
| —                               | . . . METER, FATIGUE, INSTALLATION (EA3.80.2857) (PRE SAS4745)<br>Spares for:   | —          | —           | 31/1      |
| EA3.81.2975                     | . . . BOX, JUNCTION, No.7, ASSEMBLY (PRE SAS4745)<br>Consisting of:   | 1          | —           | 31/2      |
| EA1.81.583                      | . . . BOX, junction, 40-way, complete   | 1          | —           |           |
| UNINYVIN 12                     | . . . CABLE, uninyvin 12  | QR         | —           |           |
| EA1.81.597/D                    | . . . COVER, assembly   | 1          | —           |           |
| Z23197                          | . . . GASKET, plug  | 2          | —           |           |
| Z23672                          | . . . GROMMET   | 1          | —           |           |
| Z50212                          | . . . LINK, connecting, 4-way   | 1          | —           |           |
| Z50213                          | . . . LINK, connecting, 5-way   | 1          | —           |           |
| 508/1/06405                     | . . . PLUG, 12-way, size 'C'  | 1          | —           |           |
| 508/1/06406                     | . . . PLUG, 14-way, size 'C'  | 1          | —           |           |
| 508/1/06413                     | . . . PLUG, 26-way, size 'D'  | 2          | —           |           |
|                                 | . . . SLEEVE, 1/4" long   | QR         | —           |           |
|                                 | . . . SLEEVE, 3/4" long   | QR         | —           |           |
| Z49428                          | . . . SLEEVE, cable   | QR         | —           |           |
| 703-2-00315-020                 | . . . TAG, quick release  | 41         | —           |           |
| Z19925                          | . . . TAG, quick release  | 5          | —           |           |
| Z19926                          | . . . TAG, quick release  | 2          | —           |           |

R

## ELECTRICAL

## ELECTRICAL EQUIPMENT IN CENTRE FUSELAGE

| Part Number     | 1 2 3 4 5 6 | Description   | No. Off | Matl. Spec. | Plate No. |
|-----------------|-------------|---|---------|-------------|-----------|
|                 |             |   |         |             |           |
| Z19980          |             | . . . THIMBLE, quick release  | 5       | -           |           |
| Z19981          |             | . . . THIMBLE, quick release  | 2       | -           |           |
| EA3.81.2979     |             | . . . CABLE, ASSEMBLY, 1M, FROM FATIGUE METER<br>TO J.B.7, GROUP (PRE SAS4745)<br>Consisting of:- | 1       | -           |           |
| UNINYVIN 16     |             | . . . CABLE, uninyvin 16  | QR      | -           |           |
| 5F/9013643      |             | . . . CONDUIT, flexible   | QR      | -           |           |
| EEAS111/1       |             | . . . FERRULE   | 1       | -           |           |
| 508/2/07705/200 |             | . . . GASKET, outlet  | 1       | -           |           |
| 508/1/07631/003 |             | . . . OUTLET, angle   | 1       | -           |           |
| Z18501/A        |             | . . . RING, clamp   | 1       | -           |           |
| 508/2/07710/200 |             | . . . RING, sealing   | 1       | -           |           |
| EEAS146/A       |             | . . . SLEEVE, 3/4" long   | 2       | -           |           |
| EEAS146/A1      |             | . . . SLEEVE, 3/4" long   | 2       | -           |           |
| EEAS146/D1      |             | . . . SLEEVE, 3/4" long   | 3       | -           |           |
| 508/1/40000/320 |             | . . . SOCKET, free  | 1       | -           |           |
| Z19925          |             | . . . TAG, quick release  | 2       | -           |           |
| Z19980          |             | . . . THIMBLE, quick release  | 2       | -           |           |
| 6A5029          |             | . . . METER, fatigue, type 3C (Pre SAS4745)   | 1       | -           | 31/3      |
| or              |             |   |         |             |           |
| 6A4664238       |             | . . . METER, fatigue, type 13 (Pre SAS4745)<br>Attaching parts for 6A/5029 or 6A/4664238:-        | 1       | -           | 31/4      |
| A25/1C          |             | . . . Bolt, 2 BA, hex. head   | 4       | -           | 31/14     |
| SP13/C          |             | . . . Washer, 2 BA plain  | 4       | -           | 31/16     |
| EA9.80.1387     |             | . . . MOUNTING, channel, meter (Pre SAS4745)<br>Attaching parts for EA9.80.1387:-                 | 1       | -           | 31/19     |
| A25/2C          |             | . . . Bolt, 2 BA hex. head  | 4       | -           | 31/18     |
| SP13/C          |             | . . . Washer, 2 BA plain  | 4       | -           | 31/17     |
| EG7.81.1731     |             | . . . MOUNTING, OF DISTRIBUTION PANEL (PRE MOD 5466)  | 1       | -           | 31/15     |
| EG7.81.5627     |             | . . . MOUNTING, OF DISTRIBUTION PANEL (MOD 5466)<br>Consisting of:-                               | 1       | -           |           |
| EG7.81.1767     |             | . . . GUSSET, support, assembly<br>Attaching parts for EG7.81.1767:-                              | 2       | -           | 31/33     |
| A25/1/2C        |             | . . . Bolt, 2 BA hex. head  | 4       | -           | 31/27     |
| A25/1C          |             | . . . Bolt, 2 BA hex. head  | 6       | -           | 31/22     |
| AGS2001/C/1     |             | . . . Nut, stiff, 2 BA  | 6       | -           | 31/26     |
| EG7.81.1768     |             | . . . GUSSET, support, assembly<br>Attaching parts for EG7.81.1768:-                              | 2       | -           | 31/28     |
| A25/1/2C        |             | . . . Bolt, 2 BA hex. head  | 4       | -           | 31/27     |
| A25/1C          |             | . . . Bolt, 2 BA hex. head  | 6       | -           | 31/22     |
| AGS2001/C/1     |             | . . . Nut, stiff, 2 BA  | 6       | -           | 31/26     |

## ELECTRICAL

## ELECTRICAL EQUIPMENT IN CENTRE FUSELAGE

| Part Number       | Description  | No. Off | Matl. Spec. | Plate No. |
|-------------------|--|---------|-------------|-----------|
|                   |  |         |             |           |
| R -               | . . . ALTS TO DISTRIBUTION PANEL ASSEMBLY AND WIRING (EG7.81.5629) (Mod 5466)<br>Consisting of:- | -       | -           |           |
| R -               | . . . ALTS TO DISTRIBUTION BOX No.1 (EG7.81.5631)<br>Consisting of:-                             | -       | -           |           |
| UNIMINYVIN 12     | . . . . CABLE, uniminyvin 12   | QR      | -           |           |
| UNIMINYVIN 16     | . . . . CABLE, uniminyvin 16   | QR      | -           |           |
| 508/1/15045/100   | . . . . CAP, protective  | 2       | -           | 56/1      |
| 10H/0120080       | . . . . FUSE, 20 amp   | 7       | -           |           |
| WBUN1679          | . . . . FUSE, dummy assembly   | 10      | -           |           |
| EG7.81.5633       | . . . . LABEL, fuses 261-270   | 1       | -           | 56/2      |
| EG7.81.5635       | . . . . LABEL, fuses 276-280   | 1       | -           | 56/3      |
| EG7.81.5637       | . . . . LABEL, fuses 301-305   | 1       | -           | 56/4      |
| EG7.81.5639       | . . . . LABEL, fuses 286-296   | 1       | -           | 56/5      |
| EG7.81.5641       | . . . . LABEL, fuses 311-320   | 1       | -           | 56/6      |
| EG7.81.5643       | . . . . LABEL, fuses 326-330   | 1       | -           | 56/7      |
| 508/2/03547/002   | . . . . PIN, contact, size 16  | 3       | -           |           |
| 508/2/09360/002   | . . . . PIN, contact, size 12  | 2       | -           |           |
| 508/2/04367       | . . . . PLUG, filler, grey, size 16  | 12      | -           |           |
| 508/2/04368       | . . . . PLUG, filler, yellow, size 12  | 8       | -           |           |
| EEAS146/12/1/1/4  | . . . . SLEEVE   | QR      | -           |           |
| EEAS146/16/1/1/4  | . . . . SLEEVE   | QR      | -           |           |
| R 508/2/15664     | . . . . SLEEVE, packing  | 8       | -           |           |
| 508/2/15667       | . . . . SLEEVE, packing  | 6       | -           |           |
| 508/1/04585/002   | . . . . SOCKET, contact, size 16   | 7       | -           |           |
| R 508/1/09373/002 | . . . . SOCKET, contact, size 12   | 23      | -           |           |
| 508/1/09375/002   | . . . . SOCKET, contact, size 12-16  | 6       | -           |           |
| R HC304           | . . . . TERMINAL, RT   | 14      | -           |           |
| R HC314/A         | . . . . TERMINAL, RT   | 17      | -           |           |
| EG7.81.5415       | . . . . WASHER, ident, BJF3A   | 1       | -           | 56/8      |
| EG7.81.5419       | . . . . WASHER, ident, BJR3A   | 1       | -           | 56/9      |
| EG7.81.5417       | . . . . WASHER, ident, C600  | 1       | -           | 56/10     |
| 508/2/15595/002   | . . . . WASHER, packing  | 2       | -           | 56/11     |
| EG7.81.5421       | . . . . CABLE, assembly C455   | 1       | -           |           |
| 508/1/15045/100   | . . . . CAP, protective  | 1       | -           | 57/1      |
| 508/1/04585       | . . . . INSERT, socket   | 4       | -           |           |
| 77522-320-0       | . . . . LINK, commoning  | 3       | -           | 57/2      |

## ELECTRICAL

## ELECTRICAL EQUIPMENT IN CENTRE FUSELAGE

| Part Number       | Description  | No. Off | Matl. Spec. | Plate No. |
|-------------------|--|---------|-------------|-----------|
|                   |  |         |             |           |
| R EG7.81.5317     | PANEL, circuit breaker assembly<br>Spares for:—    | 1       | —           | 57/3      |
| R 72541-030-0     | BLOCK, terminal<br>Attaching parts:—               | 1       | —           | 57/4      |
| R 36765-502-0     | Pillar, fixing, 2 BA                               | 2       | —           | 57/5      |
| R PAN6571/5       | BREAKER, circuit, 5 amp                            | 1       | —           | 57/6      |
| R PAN6571/7/5     | BREAKER, circuit, 7.5 amp                          | 1       | —           | 57/7      |
| R PAN6571/10      | BREAKER, circuit, 10 amp                           | 1       | —           | 57/8      |
| R PAN6571/15      | BREAKER, circuit, 15 amp                           | 1       | —           | 57/9      |
| R PAN6553         | CONTACTOR, 25 amp<br>Attaching parts:—             | 2       | —           | 57/10     |
| R NAS1100/08/7    | Screw, 8-32 UNC                                    | 4       | —           | 57/11     |
| R AN960/8         | Washer   | 4       | —           | 57/12     |
| R 41852-830-0     | COVER  | 1       | —           | 57/13     |
| R SP93/B16        | GROMMET  | 1       | —           | 57/14     |
| R EG7.81.5319     | PANEL, sub-assembly, engraved<br>Spares for:—      | 1       | —           | 57/15     |
| R EG7.81.5487     | ANGLE  | 1       | —           | 57/16     |
| R EG7.81.5488     | ANGLE  | 1       | —           | 57/17     |
| R AS28010/C       | NUT, anchor, 8-32 UNC                              | 8       | —           | 57/18     |
| R AGS2018/B1      | NUT, anchor, 4 BA                                  | 2       | —           | 57/19     |
| R AGS2007/C1      | NUT, anchor, 2 BA                                  | 4       | —           | 57/20     |
| R EG7.81.5321     | PANEL  | 1       | —           | 57/21     |
| R EG7.81.5369     | PIECE, end   | 1       | —           | 57/22     |
| R EG7.81.5370     | PIECE, end   | 1       | —           | 57/23     |
| R EG7.81.5489     | PLATE, cover                                       | 1       | —           | 57/24     |
| R CSP300          | RETAINER<br>Attaching parts for EG7.81.5319:—      | 3       | —           | 57/25     |
| R A25/1C          | Bolt, hex head, 2 BA                               | 4       | —           | 57/26     |
| R SP122/D         | Washer   | 4       | —           | 57/27     |
| R EEAS551/10      | PLATE, ident                                       | 1       | —           | 57/28     |
| R PAN6542/28/10/2 | RELAY  | 1       | —           | 57/29     |
| R GRADE CXH       | SLEEVE, 3 mm I/D x 3/8" long, pink                 | 10      | —           |           |
| R PAN6544         | SOCKET, relay<br>Attaching parts for EG7.81.5317:— | 1       | —           | 57/30     |
| R A25/1C          | Bolt, 2 BA   | 6       | —           | 57/31     |
| R AGS2007/C1      | Nut, anchor, 2 BA                                  | 6       | —           | 57/32     |
| R SP124/D         | Washer   | 6       | —           | 57/33     |
| R 508/2/04367     | PLUG, filler, grey                                 | 4       | —           |           |
| R 36162-502-0     | SPACER, type 1                                     | 2       | —           |           |
| R PAN6461/07      | TAG, RT  | 2       | —           |           |
| R LKOAHSB         | TIE, cable, black                                  | QR      | —           |           |
| R 508/2/15595/002 | WASHER, packing                                    | 1       | —           | 57/34     |
| R PAN6423/AP004   | WIRE, electrical                                   | QR      | —           |           |

ELECTRICAL

ELECTRICAL EQUIPMENT IN CENTRE FUSELAGE

| Part Number                           | Description  | No. Off | Matl. Spec. | Plate No. |
|---------------------------------------|--|---------|-------------|-----------|
|                                       |  |         |             |           |
| EG7.81.1733                           | . . . PANEL, DISTRIBUTION AND WIRING, ASSEMBLY<br>Spares for:  | 1       | -           | 31/20     |
| WARD BROOKE<br>WB/UN/1170/S/3/W       | . . . . BLOCK, terminal  | 2       | -           | 31/25     |
| WARD BROOKE<br>WB/UN/1146/S/3/W       | . . . . BLOCK, terminal  | 2       | -           | 31/29     |
| EG7.81.2091                           | . . . . BOLT, special  | 4       | S114        | 34/32     |
| EG7.81.3439                           | . . . . BOX, DISTRIBUTION, No.1, ASSEMBLY<br>(MOD.4493) (PRE MOD.5083)                                   | 1       | -           | 31/13     |
| EG7.81.3489                           | . . . . BOX, DISTRIBUTION, No.1, ASSEMBLY<br>(MOD.5083)<br>Spares for:                                   | 1       | -           |           |
| WARD BROOKE<br>WB/UN/1146/D/5/W       | . . . . . BLOCK, terminal<br>Attaching parts for WB/UN/1146/D/5/W:                                       | 1       | -           | 31/6      |
| A31/B20                               | . . . . . Screw, 4BA cheese head   | 2       | -           | 31/5      |
| WARD BROOKE<br>WB/UN/1146/D/10/W      | . . . . . BLOCK, terminal<br>Attaching parts for WB/UN/1146/D/10/W:                                      | 1       | -           | 33/31     |
| A31/B20                               | . . . . . Screw, 4BA cheese head   | 2       | -           | 33/29     |
| WARD BROOKE<br>WB/UN/1154/D/5/W       | . . . . . BLOCK, fuse link<br>Attaching parts for WB/UN/1154/S/5/W:                                      | 8       | -           | 31/23     |
| A31/B24                               | . . . . . Screw, 4BA cheese head   | 16      | -           | 31/24     |
| WARD BROOKE<br>WB/UN/1154/D/10/W      | . . . . . BLOCK, fuse link<br>Attaching parts for WB/UN/1154/D/10/W:                                     | 3       | -           | 31/32     |
| A31/B24                               | . . . . . Screw, 4BA cheesehead  | 6       | -           | 31/38     |
| R<br>WARD BROOKE<br>WB/UN/1154/F/5/W  | . . . . . BLOCK, fuse link (Pre SAS4745)   | 8       | -           | 31/9      |
| R<br>HWB/UN/<br>1154/F/5/W            | . . . . . BLOCK, fuse link (SAS4745)<br>Attaching parts for WB/UN/1154/F/5/W and<br>HWB/UN/1154/F/5/W:   | 8       | -           |           |
| WARD BROOKE<br>WB/UN/1154/B/23        | . . . . . Bolt, 6UNC   | 16      | -           | 31/10     |
| A31/B24                               | . . . . . Screw, 4BA cheese head   | 16      | -           | 31/11     |
| AGS2037/C                             | . . . . . Washer, shakeproof   | 16      | -           | 31/12     |
| R<br>WARD BROOKE<br>WB/UN/1154/F/10/W | . . . . . BLOCK, fuse link (Pre SAS4745)   | 3       | -           | 31/37     |
| R<br>HWB/UN/<br>1154/F/10/W           | . . . . . BLOCK, fuse link (SAS4745)<br>Attaching parts for WB/UN/1154/F/10/W and<br>HWB/UN/1154/F/10/W: | 3       | -           |           |
| WARD BROOKE<br>WB/UN/1154/B23         | . . . . . Bolt, 6UNC   | 6       | -           | 31/30     |
| A31/B24                               | . . . . . Screw, 4BA cheese head   | 6       | -           | 31/31     |
| AGS2037/C                             | . . . . . Washer, shakeproof   | 6       | -           | 31/36     |

## ELECTRICAL

## ELECTRICAL EQUIPMENT IN CENTRE FUSELAGE

| Part Number                    | Description   | No. Off | Matl. Spec. | Plate No. |
|--------------------------------|---|---------|-------------|-----------|
|                                |   |         |             |           |
| WARD BROOKE<br>WB/UN/1154/22   | . . . . . BOLT, 6 UNC                                       | 100     | -           | 32/10     |
| EG7.81.2455                    | . . . . . BOLT, distribution, No.1                          | 1       | -           | 32/8      |
| WARD BROOKE<br>WB/1154/B/21/14 | . . . . . BUS-BAR, 5-way (Pre SAS4745)                      | 8       | -           | 32/11     |
| WB/1154/B/21/5                 | . . . . . BUS-BAR, 5-way (SAS4745)                          | 8       | -           |           |
| WARD BROOKE<br>WB/1154/B/21/15 | . . . . . BUS-BAR, 10-way (Pre SAS4745)                     | 3       | -           | 32/12     |
| HWB/1154/B/21/10               | . . . . . BUS-BAR, 10-way (SAS4745)                         | 3       | -           |           |
| UNINYVIN 12                    | . . . . . CABLE, uninyvin 12                                | QR      | -           |           |
| UNINYVIN 14                    | . . . . . CABLE, uninyvin 14                                | QR      | -           |           |
| UNINYVIN 16                    | . . . . . CABLE, uninyvin 16                                | QR      | -           |           |
| UNINYVIN 20                    | . . . . . CABLE, uninyvin 20                                | QR      | -           |           |
| UNITERSIL 10                   | . . . . . CABLE, unifersil 10                               | QR      | -           |           |
| EG7.81.3487                    | . . . . . COVER, A.C., ASSEMBLY (MOD 4865)                  | 1       | -           | 32/25     |
|                                | Spares for:-  |         |             |           |
| EEAS250/1                      | . . . . . BOLT, special                                     | 8       | -           | 32/3      |
| EG7.81.3485                    | . . . . . LABEL, fuse                                       | 1       | -           |           |
| EEAS232                        | . . . . . WASHER, tapped                                    | 8       | L72         | 32/2      |
| SP13/B                         | . . . . . WASHER, 4 BA plain                                | 8       | -           | 32/1      |
| EG7.81.3435                    | . . . . . COVER, D.C., ASSEMBLY (MOD 4493)                  | 1       | -           | 32/22     |
|                                | Spares for:-  |         |             |           |
| EEAS250/1                      | . . . . . BOLT, special                                     | 6       | -           | 32/6      |
| EEAS232                        | . . . . . WASHER, tapped                                    | 6       | L72         | 32/4      |
| SP13/B                         | . . . . . WASHER, 4 BA plain                                | 6       | -           | 32/5      |
| 10H/0120076                    | . . . . . FUSE, 5 amp (Pre Mod 5466)                        | 28      | -           | 32/13     |
| 10H/0120076                    | . . . . . FUSE, 5 amp (Mod 5466)                            | 19      | -           |           |
| 10H/0120078                    | . . . . . FUSE, 10 amp (Pre Mod 5176)                       | 10      | -           | 32/14     |
| 10H/0120078                    | . . . . . FUSE, 10 amp (SRIM3922) (Mod 5176) (Pre Mod 5466) | 12      | -           |           |
| 10H/0120078                    | . . . . . FUSE, 10 amp (Mod 5466)                           | 10      | -           |           |
| 10H/0120079                    | . . . . . FUSE, 15 amp (Pre Mod 5466)                       | 12      | -           | 32/15     |
| 10H/0120079                    | . . . . . FUSE, 15 amp (Mod 5466)                           | 6       | -           |           |
| 10H/0120080                    | . . . . . FUSE, 20 amp                                      | 3       | -           | 32/16     |
| WARD BROOKE<br>WB/UN/1679      | . . . . . FUSE, dummy, assembly                             | 17      | -           | 32/9      |
| HELLERMANN<br>G51TB            | . . . . . GROMMET, flexiform                                | QR      | -           | 32/7      |
| 508/1/04585/002                | . . . . . INSERT, socket, 16                                | 28      | -           | 33/88     |
| 508/1/05602/002                | . . . . . INSERT, socket, 16/20                             | 11      | -           | 33/17     |
| 2CZ138846                      | . . . . . INSERT, socket, 12                                | 18      | -           | 33/5      |
| 2CZ139486                      | . . . . . INSERT, socket, 12/14                             | 22      | -           | 33/14     |
| 2CZ139487                      | . . . . . INSERT, socket, 12/16                             | 4       | -           | 33/22     |
| WARD BROOKE<br>WB/1146/72      | . . . . . LINK, 2-way                                       | 2       | -           | 32/17     |
| WARD BROOKE<br>WB/1146/75      | . . . . . LINK, 5-way                                       | 2       | -           | 32/18     |

R  
R  
R  
R  
R

## ELECTRICAL

## ELECTRICAL EQUIPMENT IN CENTRE FUSELAGE

| Part Number               | Description                                 | No. Off | Matl. Spec. | Plate No. |   |
|---------------------------|---|---------|-------------|-----------|---|
|                           |   |         |             |           | 1 |
| WARD BROOKE<br>WB/1146/80 | . . . . . LINK, 10-way                      | 1       | —           | 32/19     |   |
| WARD BROOKE<br>WB/1146/81 | . . . . . LINK, transverse                  | 1       | —           | 32/20     |   |
| EG7.81.2463               | . . . . . PANEL, SPARE PLUG, ASSEMBLY       | 1       | —           | 32/27     |   |
|                           | Spares for:                                 |         |             |           |   |
| EEAS250/1                 | . . . . . BOLT, special                     | 9       | —           | 32/26     |   |
| EEAS232                   | . . . . . WASHER, tapped                    | 9       | L72         | 32/23     |   |
| SP13/B                    | . . . . . WASHER, 4BA plain                 | 9       | —           | 32/24     |   |
| R 2Z111033                | . . . . . PIN, plug, 12                     | 3       | —           |           |   |
| R 508/2/03547/002         | . . . . . PIN, plug, 16                     | 4       | —           |           |   |
| R 508/2/05604/002         | . . . . . PIN, plug, 16/20                  | 2       | —           |           |   |
| EEAS551/10                | . . . . . PLATE, ident.                     | 1       | L73         | 31/8      |   |
| EEAS551/20                | . . . . . PLATE, ident.                     | 1       | L73         | 33/30     |   |
| UK-AN                     |   |         |             |           |   |
| 8000-20-18P               | . . . . . PLUG, fixed                       | 1       | —           | 33/11     |   |
| 508/2/04367               | . . . . . PLUG, filler                      | QR      | —           | 33/26     |   |
| 508/2/04368               | . . . . . PLUG, filler                      | QR      | —           | 33/12     |   |
| EG7.81.1765               | . . . . . SHIELD, terminal                  | 11      | L44         | 33/3      |   |
| EG7.81.1766               | . . . . . SHIELD, terminal                  | 10      | L44         | 33/4      |   |
| EG7.81.2635               | . . . . . SHIELD, terminal                  | 1       | L44         | 33/25     |   |
| R 2Z139622                | . . . . . SLEEVE, packing, 16/20            | QR      | —           |           |   |
| 2Z139623                  | . . . . . SLEEVE, packing, 16               | QR      | —           |           |   |
| R 2Z139626                | . . . . . SLEEVE, packing, 12/16            | QR      | —           |           |   |
| R 2Z139627                | . . . . . SLEEVE, packing, 12/14            | QR      | —           |           |   |
| M.A.M.                    | . . . . . SLEEVE, 3mm i/d x 3/8" long, pink | QR      | Grade CXH   |           |   |
| EEAS146/EQ                | . . . . . SLEEVE, 1/4" long                 | QR      | —           |           |   |
| R EEAS146/10              | . . . . . SLEEVE, 3/4" long                 | QR      | —           |           |   |
| R EEAS146/20              | . . . . . SLEEVE, 3/4" long                 | QR      | —           |           |   |
| UK-AN                     |   |         |             |           |   |
| R 8000-18-1S              | . . . . . SOCKET, fixed                     | 1       | —           | 33/27     |   |
| UK-AN                     |   |         |             |           |   |
| 8000-20-15S               | . . . . . SOCKET, fixed                     | 1       | —           | 33/23     |   |

AP101B-0417-3A

## ELECTRICAL

## ELECTRICAL EQUIPMENT IN CENTRE FUSELAGE

| Part Number                   | Description   | No. Off | Matl. Spec. | Plate No. |
|-------------------------------|---|---------|-------------|-----------|
|                               |   |         |             |           |
| UK-AN<br>8000-20-15SW         | . . . . . SOCKET, fixed   | 1       | -           | 33/6      |
| UK-AN<br>8000-28-20S          | . . . . . SOCKET, fixed   | 1       | -           | 33/15     |
| UK-AN<br>8000-28-20SX         | . . . . . SOCKET, fixed   | 1       | -           | 33/20     |
| UK-AN<br>8000-28-20SY         | . . . . . SOCKET, fixed   | 1       | -           | 33/9      |
| UK-AN<br>8000-20-29S          | . . . . . SOCKET, fixed   | 1       | -           | 33/10     |
| WARD BROOKE<br>WB/1114/22     | . . . . . SPACER, cable   | 17      | -           | 31/7      |
| NY18007A                      | . . . . . STRAP, nylon  | QR      | -           | 33/2      |
| NY3285                        | . . . . . STUD, nylon   | QR      | -           | 33/1      |
| HC294                         | . . . . . TAG, ring tongue  | 13      | -           |           |
| HC304                         | . . . . . TAG, ring tongue  | 19      | -           |           |
| HC314A                        | . . . . . TAG, ring tongue  | 37      | -           |           |
| A.M.P.<br>323068              | . . . . . TAG, ring tongue  | 6       | -           |           |
| WARD BROOKE<br>WB/UN/1154/B24 | . . . . . WASHER  | 100     | -           | 32/21     |
| R EG7.81.1781                 | . . . . . WASHER, ident., CR11 (Pre Mod 5466)   | 1       | -           | 33/21     |
| EG7.81.1783                   | . . . . . WASHER, ident., CR12  | 1       | -           | 33/16     |
| EG7.81.1785                   | . . . . . WASHER, ident., CR13  | 1       | -           | 33/10     |
| R EG7.81.1787                 | . . . . . WASHER, ident., CR14 (Pre Mod 5466)   | 1       | -           | 33/7      |
| R EG7.81.1789                 | . . . . . WASHER, ident., CR15 (Pre Mod 5466)   | 1       | -           | 33/24     |
| R EG7.81.1791                 | . . . . . WASHER, ident., CR16 (Pre Mod 5466)   | 1       | -           | 33/19     |
| EG7.81.1793                   | . . . . . WASHER, ident., C457  | 1       | -           | 33/28     |
| R EG7.81.1795                 | . . . . . WASHER, ident., C503A (Pre Mod 5466)  | 1       | -           | 33/13     |
| EG7.81.1775                   | . . . . . BRACKET, connector support<br>Attaching parts for EG7.81.1775:—   | 1       | L72         | 34/5      |
| A25/1/2C                      | . . . . . Bolt, 2BA hex head  | 4       | -           | 34/6      |
| EG7.81.2105                   | . . . . . BRACKET, relay, assembly<br>Attaching parts for EG7.81.2105:—   | 1       | -           | 34/7      |
| A25/1/2C                      | . . . . . Bolt, 2BA hex head  | 6       | -           | 34/8      |
| EG7.81.1859                   | . . . . . CABLE, ASSEMBLY, 1X12, FROM<br>CONTACTOR C.B.1. TO<br>TRANSFORMER C.T.I., PORT,<br>GROUP<br>Consisting of:— | 1       | -           |           |
| UNINYVIN 6                    | . . . . . CABLE, uninyvin 6   | QR      | -           |           |
| Z70020                        | . . . . . LUG   | 2       | -           |           |
| EEAS146/6                     | . . . . . SLEEVE, 1/4" long   | 2       | -           |           |
| EEAS146/6                     | . . . . . SLEEVE, 1-1/2" long   | 3       | -           |           |

## ELECTRICAL

## ELECTRICAL EQUIPMENT IN CENTRE FUSELAGE

| Part Number  | 1 2 3 4 5 6 | Description   | No.<br>Off | Mati. Spec. | Plate No. |
|--------------|-------------|---|------------|-------------|-----------|
|              |             |   |            |             |           |
| EG7.81.1860  | . . .       | CABLE, ASSEMBLY, 1X22, FROM CONTACTOR<br>C.B.1. TO TRANSFORMER C.T.1.,<br>PORT, GROUP<br>Spares for this assembly are identical<br>to Part No. EG7.81.1859 on<br>page EA35      | 1          | -           |           |
| EG7.81.1861  | . . .       | CABLE, ASSEMBLY, 1X32, FROM CONTACTOR<br>C.B.1. TO TRANSFORMER C.T.1.,<br>PORT, GROUP<br>Spares for this assembly are identical<br>to Part No. EG7.81.1859 on<br>page EA35      | 1          | -           |           |
| EG7.81.1862  | . . .       | CABLE, ASSEMBLY, 2X12, FROM CONTACTOR<br>C.B.3. TO TRANSFORMER C.T.2.,<br>STARBOARD, GROUP<br>Spares for this assembly are identical to<br>Part No. EG7.81.1859 on<br>page EA35 | 1          | -           |           |
| EG7.81.1863  | . . .       | CABLE, ASSEMBLY, 2X22, FROM CONTACTOR<br>C.B.3. TO TRANSFORMER C.T.2.,<br>STARBOARD, GROUP<br>Spares for this assembly are identical<br>to Part No. EG7.81.1859 on<br>page EA35 | 1          | -           |           |
| EG7.81.1864  | . . .       | CABLE, ASSEMBLY, 2X32, FROM CONTACTOR<br>C.B.3. TO TRANSFORMER C.T.2.,<br>STARBOARD, GROUP<br>Spares for this assembly are identical to<br>Part No. EG7.81.1859 on<br>page EA35 | 1          | -           |           |
| EG7.81.1865  | . . .       | CABLE, ASSEMBLY, 1XA, FROM CONTACTOR<br>C.B.2. TO TRANSFORMER C.T.1.,<br>PORT, GROUP<br>Consisting of:—   | 1          | -           |           |
| R UNINYVIN 6 | . . . .     | CABLE, uninyvin 6   | QR         | -           |           |
| Z70020       | . . . .     | LUG   | 2          | -           |           |
| EEAS146/6    | . . . .     | SLEEVE, 1-1/2" long   | 1          | -           |           |
| EG7.81.1866  | . . .       | CABLE, ASSEMBLY, 1XB, FROM CONTACTOR<br>C.B.2. TO TRANSFORMER C.T.1.,<br>PORT, GROUP<br>Spares for this assembly are identical<br>to Part No. EG7.81.1865                       | 1          | -           |           |

## ELECTRICAL

## ELECTRICAL EQUIPMENT IN CENTRE FUSELAGE

| Part Number | 1 2 3 4 5 6 | Description   | No.<br>Off | Matl. Spec. | Plate No. |
|-------------|-------------|---|------------|-------------|-----------|
|             |             |   |            |             |           |
| EG7.81.1867 |             | CABLE, ASSEMBLY, 1XC, FROM CONTACTOR<br>CB2 TO TRANSFORMER CT1, PORT,<br>GROUP<br>Spares for this assembly are identical to Part<br>No. EG7.81.1865 on page EA.36           | 1          | -           |           |
| EG7.81.1868 |             | CABLE, ASSEMBLY, 1XA, FROM TERMINAL BLOCK<br>TB1 TO TRANSFORMER CT1,<br>STARBOARD, GROUP<br>Spares for this assembly are identical to Part<br>No. EG7.81.1865 on page EA36  | 1          | -           |           |
| EG7.81.1869 |             | CABLE, ASSEMBLY, 1XB, FROM TERMINAL BLOCK<br>TB1 TO TRANSFORMER, CT1,<br>STARBOARD, GROUP<br>Spares for this assembly are identical to Part<br>No. EG7.81.1865 on page EA36 | 1          | -           |           |
| EG7.81.1870 |             | CABLE, ASSEMBLY, 1XC, FROM TERMINAL BLOCK<br>TB1 TO TRANSFORMER CT1,<br>STARBOARD, GROUP<br>Spares for this assembly are identical to Part<br>No. EG7.81.1865 on page EA.36 | 1          | -           |           |
| EG7.81.1871 |             | CABLE, ASSEMBLY, 2XA, FROM CONTACTOR<br>CB4 TO TRANSFORMER CT2,<br>STARBOARD, GROUP<br>Spares for this assembly are identical to<br>Part No. EG7.81.1865 on page EA.36      | 1          | -           |           |
| EG7.81.1872 |             | CABLE, ASSEMBLY, 2XB, FROM CONTACTOR<br>CB4 TO TRANSFORMER CT2,<br>STARBOARD, GROUP<br>Spares for this assembly are identical to<br>Part No. EG7.81.1865 on page EA.36      | 1          | -           |           |
| EG7.81.1873 |             | CABLE, ASSEMBLY, 2XC, FROM CONTACTOR<br>CB4 TO TRANSFORMER CT2,<br>STARBOARD, GROUP<br>Spares for this assembly are identical to<br>Part No. EG7.81.1865 on page EA.36      | 1          | -           |           |
| EG7.81.1874 |             | CABLE, ASSEMBLY, 2XA, FROM CONTACTOR<br>CB2 TO TRANSFORMER CT2, GROUP<br>Spares for this assembly are identical to<br>Part No. EG7.81.1865 on page EA.36                    | 1          | -           |           |

## ELECTRICAL

## ELECTRICAL EQUIPMENT IN CENTRE FUSELAGE

| Part Number     | Description   | No.<br>Off | Matl. Spec. | Plate No. |
|-----------------|---|------------|-------------|-----------|
|                 |   |            |             |           |
| EG7.81.1875     | CABLE, ASSEMBLY, 2XB, FROM CONTACTOR<br>CB2 TO TRANSFORMER CT2, GROUP<br>Spares for this assembly are identical to<br>Part No. EG7.81.1865 on page EA36             | 1          | -           |           |
| EG7.81.1876     | CABLE, ASSEMBLY, 2XC, FROM CONTACTOR<br>CB2 TO TRANSFORMER CT2, GROUP<br>Spares for this assembly are identical to<br>Part No. EG7.81.1865 on page EA36             | 1          | -           |           |
| EG7.81.1877     | CABLE, ASSEMBLY, 2XA, FROM CONTACTOR<br>CB2 TO TERMINAL BLOCK TB2, PORT,<br>GROUP<br>Spares for this assembly are identical to<br>Part No. EG7.81.1865 on page EA36 | 1          | -           |           |
| EG7.81.1878     | CABLE, ASSEMBLY, 2XB, FROM CONTACTOR<br>CB2 TO TERMINAL BLOCK TB2, PORT,<br>GROUP<br>Spares for this assembly are identical to<br>Part No. EG7.81.1865 on page EA36 | 1          | -           |           |
| EG7.81.1879     | CABLE, ASSEMBLY, 2XC, FROM CONTACTOR CB2<br>TO TERMINAL BLOCK TB2, PORT, GROUP<br>Spares for this assembly are identical to<br>Part No. EG7.81.1865 on page EA36    | 1          | -           |           |
| EG7.81.1880     | CABLE, ASSEMBLY, C454, FROM CONTACTOR<br>CB4 TO U/V AND PHASE SEQUENCE<br>UNIT, GROUP<br>Consisting of:—  | 1          | -           |           |
| UNINYVIN 20     | CABLE, uninyvin 20  | QR         | -           |           |
| EEAS146/20      | SLEEVE, 3/4" long   | 8          | -           |           |
| EEAS146/12      | SLEEVE, 1" long   | 2          | -           |           |
| EEAS146/12      | SLEEVE, 1 1/2" long   | 1          | -           |           |
| HC290           | TAG, ring tongue  | 3          | -           |           |
| HC294           | TAG, ring tongue  | 1          | -           |           |
| HC298/E         | TAG, ring tongue  | 4          | -           |           |
| EG7.81.3441     | CABLE, ASSEMBLY, C455, FROM DISTRIBUTION<br>PANEL PLUG BREAK TO No.1 DISTRIBUTION<br>BOX, GROUP (MOD 4493) (PRE MOD 5466)<br>Consisting of:—                        | 1          | -           |           |
| UNINYVIN 20     | CABLE, uninyvin 20  | QR         | -           |           |
| UNINYVIN 22     | CABLE, uninyvin 22  | QR         | -           |           |
| 508/1/04585/002 | INSERT, socket, 16  | 7          | -           |           |
| 508/1/05802/002 | INSERT, socket, 16/20   | 20         | -           |           |

R

## ELECTRICAL

## ELECTRICAL EQUIPMENT IN CENTRE FUSELAGE

| Part Number    | 1 2 3 4 5 6 | Description   | No. Off | Mati. Spec. | Plate No. |
|----------------|-------------|---|---------|-------------|-----------|
|                |             |   |         |             |           |
| 508/2/04367    |             | PLUG, filler  | 7       | -           |           |
| 2Z139621       |             | SLEEVE, packing   | 3       | -           |           |
| 2Z139623       |             | SLEEVE, packing   | 17      | -           |           |
| EEAS146/22     |             | SLEEVE, 3/4" long   | QR      | -           |           |
| EEAS146/2      |             | SLEEVE, 1" long   | QR      | -           |           |
| EEAS146/6      |             | SLEEVE, 1" long   | QR      | -           |           |
| EEAS146/12     |             | SLEEVE, 1" long   | QR      | -           |           |
| EEAS146/00     |             | SLEEVE, 1" long   | QR      | -           |           |
| EEAS146/00     |             | SLEEVE, 1-1/2" long   | 1       | -           |           |
| UK-AN          |             | SOCKET, fixed   | 1       | -           |           |
| 8000-18-1SX    |             |   |         |             |           |
| UK-AN          |             | SOCKET, fixed   | 1       | -           |           |
| 8000-20-29S    |             |   |         |             |           |
| HC294          |             | TAG, ring tongue  | 19      | -           |           |
| HC296          |             | TAG, ring tongue  | 15      | -           |           |
| EG7.81.1882    |             | CABLE, ASSEMBLY, C456, FROM No. 1 DISTRIBUTION BOX TO TERMINAL BLOCKS TB1 AND TB2, GROUP<br>Consisting of:—   | 1       | -           |           |
| R UNTERSIL 10  |             | CABLE, unifersil 10   | QR      | -           |           |
| AMP323068      |             | LUG, ring tongue  | 12      | -           |           |
| AMP323069      |             | LUG, ring tongue  | 12      | -           |           |
| EEAS146/10     |             | SLEEVE, 3/4" long   | QR      | -           |           |
| EEAS146/00     |             | SLEEVE, 1" long   | QR      | -           |           |
| EEAS146/0000   |             | SLEEVE, 1" long   | QR      | -           |           |
| EEAS146/0000   |             | SLEEVE, 1-1/2" long   | QR      | -           |           |
| TYGADURE LTD   |             | TYGAFLOR, T120  | QR      | -           |           |
| MIDLAND        |             | VARNISH   | QR      | -           |           |
| SILICONE MS994 |             |   |         |             |           |
| EG7.81.1999    |             | CABLE, ASSEMBLY, C464, FROM LOGIC UNIT TO No. 1 DISTRIBUTION BOX, CONTACTOR PANELS CB4, CB2, CB3, CB1 AND U/V PHASE SEQUENCE UNIT, GROUP<br>Consisting of:— | 1       | -           |           |
| R UNINYVIN 20  |             | CABLE, uninyvin 20  | QR      | -           |           |

## ELECTRICAL

## ELECTRICAL EQUIPMENT IN CENTRE FUSELAGE

| Part Number | 1 2 3 4 5 6 | Description  | No.<br>Off | Mati. Spec. | Plate No. |
|-------------|-------------|--|------------|-------------|-----------|
|             |             |  |            |             |           |
| R           |             | UNINYVIN 22  | QR         | -           |           |
|             |             | 508/2/03547/002  | 17         | -           |           |
|             |             | 508/2/05603/002  | 10         | -           |           |
|             |             | 508/2/05604/002  | 10         | -           |           |
|             |             | UK-AN  | 1          | -           |           |
|             |             | 9000-28-21P  |            |             |           |
|             |             | 508/2/04367  | QR         | -           |           |
|             |             | 2Z139621   | QR         | -           |           |
|             |             | 2Z139623   | QR         | -           |           |
|             |             | EEAS146/20   | QR         | -           |           |
|             |             | EEAS146/6  | QR         | -           |           |
|             |             | EEAS146/00   | QR         | -           |           |
|             |             | EEAS146/00   | QR         | -           |           |
|             |             | HC294  | 20         | -           |           |
|             |             | EG7.81.2000  | 1          | -           |           |
|             |             | CABLE, ASSEMBLY, C465, FROM<br>CONTACTOR PANEL CB1 TO<br>CONTACTOR PANEL CB3,<br>GROUP<br>Consisting of:—  |            |             |           |
| R           |             | UNINYVIN 22  | QR         | -           |           |
|             |             | EEAS146/22   | QR         | -           |           |
|             |             | EEAS146/6  | QR         | -           |           |
|             |             | HC294  | 4          | -           |           |
|             |             | EG7.81.2001  | 1          | -           |           |
|             |             | CABLE, ASSEMBLY, C466, FROM<br>CONTACTOR PANEL CB1 TO<br>CONTACTOR PANEL CB1, PORT,<br>GROUP<br>Consisting of:—  |            |             |           |
| R           |             | UNINYVIN 22  | QR         | -           |           |
|             |             | EEAS146/22   | QR         | -           |           |
|             |             | HC294  | 2          | -           |           |
|             |             | EG7.81.2002  | 1          | -           |           |
|             |             | CABLE, ASSEMBLY, C467, FROM<br>CONTACTOR PANEL CB3 TO<br>CONTACTOR PANEL CB3,<br>STARBOARD, GROUP<br>Spares for this assembly are identical<br>to Part No. EG7.81.2001 |            |             |           |

## ELECTRICAL

## ELECTRICAL EQUIPMENT IN CENTRE FUSELAGE

| Part Number                     | Description  | No. Off | Mtl. Spec. | Plate No. |
|---------------------------------|--|---------|------------|-----------|
|                                 |  |         |            |           |
| EG7.81.2015                     | . . . . CABLE, ASSEMBLY, C46B, FROM CONTACTOR PANEL C.B.4 TO CONTACTOR PANEL C.B.4., STARBOARD, GROUP<br>Consisting of:    | 1       | -          |           |
| R UNINYVIN 20                   | . . . . CABLE, uninyvin 20   | QR      | -          |           |
| EEAS146/20                      | . . . . SLEEVE, 3/4" long  | QR      | -          |           |
| HC294                           | . . . . TAG, ring tongue   | 2       | -          |           |
| EG7.81.2117                     | . . . . CABLE, ASSEMBLY, C469, FROM No.1 DISTRIBUTION BOX TO RELAY No.3 AND No.4 CONTACTOR PANELS, GROUP<br>Consisting of: | 1       | -          |           |
| R UNINYVIN 22                   | . . . . CABLE, uninyvin 22   | QR      | -          |           |
| EEAS146/22                      | . . . . SLEEVE, 3/4" long  | QR      | -          |           |
| EEAS146/6                       | . . . . SLEEVE, 1" long  | QR      | -          |           |
| HC294                           | . . . . TAG, ring tongue   | 8       | -          |           |
| HC296                           | . . . . TAG, ring tongue   | 8       | -          |           |
| 5E/9467180                      | . . . . CABLE, uniersil 20 (SAS4745)   | QR      | -          |           |
| 508/2/08759                     | . . . . CAP, protective  | 1       | -          |           |
| 508/2/08760                     | . . . . CAP, protective  | 1       | -          |           |
| 508/2/08762                     | . . . . CAP, protective  | 1       | -          |           |
| AE5354-3                        | . . . . CONTACTOR, Mk.3<br>Attaching parts for AE5354-3:   | 4       | -          | 34/21     |
| AS1246/19C                      | . . . . Bolt, 2BA round head   | 16      | -          | 34/28     |
| SP13/C                          | . . . . Washer, 2BA plain  | 16      | -          | 34/25     |
| WARD BROOKE<br>WB/UN/1170/B/3/W | . . . . COVER, terminal block (Pre SAS4745)  | 2       | -          | 31/21     |
| HWB/UN/<br>1170/S/3/W           | . . . . COVER, terminal block (SAS4745)  | 2       | -          |           |
| WARD BROOKE<br>WB/NY/1110/B/3   | . . . . COVER, terminal block (Pre SAS4745)  | 2       | -          | 31/35     |
| HWB/UN/1110/B/3                 | . . . . COVER, terminal block (SAS4745)  | 2       | -          |           |
| EG7.81.2093                     | . . . . COVER, TRANSFORMER, ASSEMBLY<br>Spares for:  | 2       | -          | 34/29     |
| WARD BROOKE<br>WB/1280          | . . . . BOLT, 4BA captive  | 2       | -          | 34/26     |
| AGS2037/B                       | . . . . WASHER, shakeproof   | 2       | -          | 34/18     |
| WARD BROOKE<br>WB/1281          | . . . . WASHER, plain  | 2       | -          | 34/15     |
| WARD BROOKE<br>WB/1346          | . . . . WASHER, nylon  | 2       | -          | 34/12     |

## ELECTRICAL

## ELECTRICAL EQUIPMENT IN CENTRE FUSELAGE

| Part Number               | Description   | No. Off | Matl. Spec. | Plate No. |
|---------------------------|---|---------|-------------|-----------|
|                           |   |         |             |           |
| EG7.81.2473               | . . . FAIRLEAD, assembly<br>Attaching parts for EG7.81.2473:              | 1       | -           | 34/2      |
| A25/3B                    | . . . Bolt, 4BA hex. head   | 4       | -           | 34/4      |
| AGS2021/B/1               | . . . Nut, stiff, cap, 4BA  | 4       | -           | 34/1      |
| SP13/B                    | . . . Washer, 4BA plain   | 4       | -           | 34/3      |
| EG7.81.1741               | . . . PANEL, distribution, assembly                                       | 1       | -           | 34/22     |
| E.E. CO. LTD.<br>B'FORD   | . . . PHASE, sequence unit, u/v AE5601<br>Attaching parts for AE5601-002: | 1       | -           | 34/9      |
| A25/1/2B                  | . . . Bolt, 4BA hex. head   | 4       | -           | 34/10     |
| AGS2035/B                 | . . . Washer, shakeproof  | 4       | -           | 34/11     |
| WARD BROOKE<br>WB/1114/28 | . . . PILLAR, fixing  | 4       | -           | 31/34     |
| EG7.81.2775               | . . . RECTIFIER, CABLE, GROUP<br>Consisting of:                           | 1       | -           | 34/23     |
| EF3.81.12855              | . . . BLOCK, rectifier, assembly  | 1       | -           | 34/14     |
| EEAS146/20                | . . . SLEEVE, 3/4" long   | QR      | -           | 34/19     |
| HC296                     | . . . TAG, ring tongue  | 2       | -           | 34/20     |
| EG7.81.2777               | . . . RECTIFIER, CABLE, GROUP<br>Consisting of:                           | 1       | -           | 34/31     |
| EF3.81.12855              | . . . BLOCK, rectifier, assembly  | 1       | -           | 34/30     |
| EEAS146/20                | . . . SLEEVE, 3/4" long   | QR      | -           | 34/24     |
| HC296                     | . . . TAG, ring tongue  | 2       | -           | 34/27     |
| EEAS146/20/3/4            | . . . SLEEVE, 3/4" long (SAS4745)   | QR      | -           |           |
| 5CW/1057538               | . . . SWITCH, magnetic relay, type 20B, No.3                              | 4       | -           | 34/13     |
| HC294                     | . . . TAG, RT (SAS4745)   | 12      | -           |           |
| ROTAX<br>P6601            | . . . TRANSFORMER, current<br>Attaching parts for P6601:                  | 2       | -           | 34/16     |
| AS1246/12C                | . . . Bolt, 2BA hex. head   | 4       | -           | 34/17     |
| EG7.81.2793               | . MOUNTING OF LOGIC UNIT<br>Consisting of:                                | -       | -           | 35/20     |
| EG7.81.2791               | . . LOGIC-UNIT, BUS-BAR SWITCHING, ASSEMBLY<br>Consisting of:             | 1       | -           | 35/24     |
| EG7.81.2787               | . . . BOX, shell, assembly  | 1       | -           | 35/9      |
| 508/1/04864/300           | . . . CAP, protective, assembly   | 1       | -           | 35/13     |
| EG7.81.1633               | . . . COVER, ASSEMBLY<br>Spares for:                                      | 1       | -           | 35/26     |
| EEAS250/1                 | . . . BOLT, special<br>Attaching parts for EEAS250/1:                     | 8       | -           | 35/25     |
| SP13/B                    | . . . Washer, 4BA plain   | 8       | -           | 35/23     |
| EEAS232                   | . . . Washer, tapped  | 8       | L72         | 35/21     |
| EEAS20/7DR                | . . . TAB, locking<br>Attaching parts for EEAS20/7DR:                     | 1       | L72         | 35/16     |
| AGS2021/B/1               | . . . Nut, stiff, cap, 4BA  | 1       | -           | 35/17     |
| A32/B12                   | . . . Screw, 4BA roundhead  | 1       | -           | 35/14     |
| SP15/B                    | . . . Washer, 4BA plain   | 7       | -           | 35/15     |





## ELECTRICAL

## ELECTRICAL EQUIPMENT IN CENTRE FUSELAGE

| Part Number             | 1 2 3 4 5 6 | Description                       | No. Off | Mati. Spec. | Plate No. |
|-------------------------|-------------|-----------------------------------|---------|-------------|-----------|
|                         |             |                                   |         |             |           |
| HARWIN<br>H2073/Z       |             | TERMINAL                          | 6       | -           | 37/44     |
| †                       |             | WIRE, equip., type B, 19/0076     | QR      | -           | 37/48     |
|                         |             | Attaching parts for EG7.81.2823:— |         |             |           |
| A31/B18                 |             | Screw, 4BA cheesehead             | 6       | -           | 37/42     |
| SP15/B                  |             | Washer, 4BA plain                 | 6       | -           | 37/38     |
| EG7.81.2833             |             | DIAPHRAGM, end, assembly          | 2       | -           | 36/17     |
|                         |             | Attaching parts for EG7.81.2833:— |         |             |           |
| EG7.81.2725             |             | Plate, tapped                     | 8       | S510        | 36/5      |
| A31/B14                 |             | Screw, 4BA cheese head            | 8       | -           | 36/18     |
| A31/B16                 |             | Screw, 4BA cheesehead             | 4       | -           | 36/13     |
| 10H/0120076             |             | FUSE, 5 amp.                      | 5       | -           | 37/50     |
| 508/2/04585/002         |             | INSERT, socket, 16                | 18      | -           | 35/5      |
| 508/2/05602/002         |             | INSERT, socket, 16/20             | 29      | -           | 35/6      |
| OXLEY DEV.<br>125/50/LP |             | INSULATOR, barb                   | 14      | -           | 37/13     |
| 508/2/03547/002         |             | PIN, plug, 16                     | 3       | -           | 35/2      |
| 508/2/05604/002         |             | PIN, plug, 16/20                  | 10      | -           | 35/3      |
| EG7.81.2689             |             | PLATE, mounting                   | 1       | BS2966      | 36/24     |
|                         |             | Attaching parts for EG7.81.2689:— |         |             |           |
| AGS2001/B/1             |             | Nut, stiff, 4BA                   | 4       | -           | 36/20     |
| A33/B16                 |             | Screw, 4BA csk head               | 4       | -           | 36/23     |
| A31/B20                 |             | Screw, 4BA cheesehead             | 2       | -           | 36/25     |
| A31/B24                 |             | Screw, 4BA cheesehead             | 2       | -           | 3/21      |
| EG7.81.2725             |             | PLATE, tapped                     | 16      | S510        | 36/5      |
| UK—AN                   |             | PLUG, fixed                       | 1       | -           | 35/1      |
| 8000-14S-6P             |             |                                   |         |             |           |
| UK—AN                   |             | PLUG, fixed                       | 1       | -           | 35/10     |
| 8000-16S-1P             |             |                                   |         |             |           |
| 508/2/04367             |             | PLUG, filler                      | QR      | -           | 35/18     |
| CV7015                  |             | RECTIFIER, ZR21                   | 6       | -           | 37/14     |
| CV7323                  |             | RECTIFIER, ZR21R                  | 7       | -           | 37/12     |
| 2Z139622                |             | SLEEVE, packing, 16/20            | QR      | -           |           |
| EEAS146/EQ              |             | SLEEVE, 1/4" long                 | QR      | -           |           |
| EEAS146/20              |             | SLEEVE, 3/4" long                 | QR      | -           |           |
| UK—AN                   |             | SOCKET, fixed                     | 1       | -           | 35/4      |
| 8000-18-1S              |             |                                   |         |             |           |
| UK—AN                   |             | SOCKET, fixed                     | 1       | -           | 35/19     |
| 8000-28-21S             |             |                                   |         |             |           |
| EG7.81.1833             |             | SPACER, ASSEMBLY                  | 2       | -           | 36/11     |
|                         |             | Spares for:—                      |         |             |           |
| AS4601/13               |             | INSERT, wire                      | 1       | -           | 36/1      |

R

## ELECTRICAL

## ELECTRICAL EQUIPMENT IN CENTRE FUSELAGE

| Part Number                                      | Description<br>1 2 3 4 5 6   | No.<br>Off | Matl. Spec. | Plate No. |
|--|--|------------|-------------|-----------|
|  |  |            |             |           |
| AS4736-49  | . . . . . INSERT, wire<br>Attaching parts for EG7.81.1833:—            | 2          | —           | 36/7      |
| A31/B12  | . . . . . Screw, 4BA cheesehead  | 4          | —           | 36/2      |
| AGS2037/B  | . . . . . Washer, shakeproof   | 4          | —           | 36/4      |
| EG7.81.2829                                      | . . . . . SPACER, ASSEMBLY<br>Spares for:—                             | 2          | —           | 36/9      |
| R AS4921/26                                      | . . . . . INSERT, wire<br>Attaching parts for EG7.81.2829:—            | 2          | —           | 36/12     |
| A31/B12  | . . . . . Screw, 4BA cheesehead  | 2          | —           | 36/3      |
| A33/B10  | . . . . . Screw, 4BA csk head  | 4          | —           | 36/10     |
| SP15/B   | . . . . . Washer, 4BA plain  | 2          | —           | 36/8      |
| EG7.81.2089                                      | . . . . . STRIP, packing   | 4          | Glasscloth  | 36/19     |
| EEAS15/39/218/<br>CR                             | . . . . . STRIP, packing   | 4          | L72         | 37/32     |
| SH COLLETT<br>MAN'G CO                           | . . . . . TAG, 2BA   | 18         | —           | 37/1      |
| HC292  | . . . . . TAG, ring tongue   | 7          | —           |           |
| HC294  | . . . . . TAG, ring tongue   | 7          | —           |           |
| EE CO LTD  | . . . . . TRANSFORMER  | 2          | —           | 37/31     |
| AED7002-042<br>WARD BROOKE<br>WB/UN/1154<br>B/24 | . . . . . WASHER   | 10         | —           | 37/51     |
| A25/3B   | . . . . . Bolt, 4BA hex head   | 16         | —           | 36/16     |
| AGS2001/B/1                                      | . . . . . Nut, stiff, 4BA  | 4          | —           | 36/14     |
| EG7.81.2739                                      | . . . . . WASHER, identification                                       | 1          | —           | 35/8      |
| EG7.81.2741                                      | . . . . . WASHER, identification                                       | 1          | —           | 35/11     |
| EG7.81.2743                                      | . . . . . WASHER, identification                                       | 1          | —           | 35/20     |
| EG7.81.2745                                      | . . . . . WASHER, identification                                       | 1          | —           | 35/12     |
| A25/8C   | . . . . . Bolt, 2BA hex head   | 4          | —           | 35/7      |
| —  | . . . . . PLUG-BREAK, WING ROOT, PORT<br>(EG7.81.2747)<br>Spares for:— | —          | —           | 38/48     |
| EG7.81.437                                       | . . . . . FAIRLEAD, assembly<br>Attaching parts for EG7.81.437:—       | 1          | —           | 38/44     |
| A25/2C   | . . . . . Bolt, 2BA hex head   | 4          | —           | 38/45     |
| AGS2001/C/1                                      | . . . . . Nut, stiff, 2BA  | 4          | —           | 38/47     |
| SP13/C   | . . . . . Washer, 2BA plain  | 4          | —           | 38/46     |
| EG7.82.797                                       | . . . . . FAIRLEAD, assembly<br>Attaching parts for EG7.82.797:—       | 1          | —           | 38/33     |
| A25/3C   | . . . . . Bolt, 2BA hex head   | 4          | —           | 38/26     |
| AGS2002/C/1                                      | . . . . . Nut, stiff, 2BA  | 4          | —           | 38/24     |
| SP13/C   | . . . . . Washer, 2BA plain  | 4          | —           | 38/25     |

## ELECTRICAL

## ELECTRICAL EQUIPMENT IN CENTRE FUSELAGE

| Part Number | Description   | No. Off | Matl. Spec.     | Plate No. |
|-------------|---|---------|-----------------|-----------|
|             |   |         |                 |           |
| —           | . PLUG-BREAK, WING ROOT, STARBOARD (EG7.81.2749)                        | —       | —               | 38/39     |
| EG7.81.437  | Spares for:<br>. FAIRLEAD, assembly                                     | 1       | —               | 38/44     |
| A25/2C      | Attaching parts for EG7.81.437:<br>. Bolt, 2BA hex. head                | 4       | —               | 38/45     |
| AGS2001/C/1 | . Nut, stiff, 2BA   | 4       | —               | 38/47     |
| SP13/C      | . Washer, 2BA plain   | 4       | —               | 38/46     |
| EEAS132/9   | . STRAP, cable, c/w buckle, 9" long                                     | 2       | Webbing         | 38/43     |
| AS1248/3B   | Attaching parts for EEAS132/9:<br>. Bolt, 4BA mushroom head             | 1       | —               | 38/41     |
| AGS2001/B/1 | . Nut, stiff, 4BA   | 1       | —               | 38/42     |
| EEAS73      | . Plate, clamp  | 1       | —               | 38/40     |
| EA1.81.222  | . SUPPORT AND ROLLER, ACCUMULATOR TRAY, ASSEMBLY                        | 1       | —               | 38/1      |
| EA1.81.223  | Spares for:<br>. BEAM, support, outer, L.H.                             | 1       | —               | 38/14     |
| EA1.81.224  | . BEAM, support, outer, R.H.  | 1       | —               | 38/4      |
| A25/5C      | Attaching parts for EA1.81.223 and EA1.81.224:<br>. Bolt, 2BA hex. head | 3       | —               | 38/22     |
| AGS2001/C/1 | . Nut, stiff, 2BA   | 3       | —               | 38/20     |
| EA1.81.222A | . Tube, distance, 5/16" o/d x 0".45 long                                | 2       | —               | 38/21     |
| EA1.81.225  | . BEAM, support, inner  | 1       | —               | 38/7      |
| A25/6C      | Attaching parts for EA1.81.225:<br>. Bolt, 2BA hex. head                | 2       | —               | 38/9      |
| A27/CP      | . Nut, 2BA plain  | 2       | —               | 38/13     |
| EA1.81.222B | . Packing   | 1       | L72             | 38/11     |
| SP47/C      | . Washer, 2BA spring  | 2       | —               | 38/12     |
| EA1.81.226  | . PLATE, attachment   | 1       | —               | 38/3      |
| EA1.81.228  | . ROLLER, assembly  | 6       | —               | 38/5      |
| A25/2C      | Attaching parts for EA1.81.228:<br>. Bolt, 2BA hex. head                | 4       | —               | 38/6      |
| A27/CP      | . Nut, 2BA plain  | 4       | —               | 38/10     |
| SP47/C      | . Washer, 2BA spring  | 4       | —               | 38/8      |
| EA1.81.227  | . STOP, channel mounting  | 1       | —               | 38/2      |
| EA1.81.232  | . TRAY, ACCUMULATOR, ASSEMBLY   | 1       | —               | 38/34     |
| EA3.81.2177 | Spares for:<br>. ANGLE, assembly, for locking accumulator tray, L.H.    | 1       | —               | 38/19     |
| AS1242/10C  | Attaching parts for EA3.81.2177:<br>. Bolt, 2BA c'sk head               | 2       | —               | 38/29     |
| A27/CP      | . Nut, 2BA plain  | 2       | —               | 38/27     |
| SP47/C      | . Washer, 2BA spring  | 2       | —               | 38/28     |
| EA1.81.251  | . GUIDE, cable strap  | 6       | —               | 40/14     |
| EEAS132/9   | . STRAP, cable, c/w buckle, 9" long                                     | 2       | Webbing<br>Comm | 40/18     |

## ELECTRICAL

## ELECTRICAL EQUIPMENT IN CENTRE FUSELAGE

| Part Number                       | Description   | No.<br>Off | Mati. Spec. | Plate No. |
|-----------------------------------|---|------------|-------------|-----------|
|                                   |   |            |             |           |
| EA3.81.2178                       | . . . ANGLE, assembly, for locking accumulator tray, R.H.<br>Attaching parts for EA3.81.2178: | 1          | -           | 38/15     |
| AS1242/10C                        | . . . Bolt, 2BA c'sk head   | 2          | -           | 38/16     |
| A27/CP                            | . . . Nut, 2BA plain  | 2          | -           | 38/17     |
| SP47/C                            | . . . Washer, 2BA spring  | 2          | -           | 38/18     |
| R EA1.81.232E                     | . . . BUFFER, rubber, 1/2" dia. x 0".85 long  | 2          | S.H.55      | 38/23     |
| EA1.81.236                        | . . . FERRULE, accumulator mounting<br>Attaching parts for EA1.81.236:                        | 8          | -           | 38/32     |
| AS1242/3C                         | . . . Bolt, 2BA c'sk head   | 2          | -           | 38/31     |
| A27/CP                            | . . . Nut, 2BA plain  | 2          | -           | 38/38     |
| SP47/C                            | . . . Washer, 2BA spring  | 2          | -           | 38/37     |
| EA1.81.273                        | . . . Washer, packing   | 2          | L72         | 38/36     |
| EA1.81.274                        | . . . Washer, packing   | 2          | L72         | 38/35     |
| EA1.81.235                        | . . . NUT, wing, accumulator securing   | 8          | -           | 38/30     |
| -                                 | . . . TRUNKING, CABLE, IN BOMB BAY, PORT SIDE,<br>ASSEMBLY (EG7.81.1887)<br>Spares for:       | -          | -           | 39/14     |
| EG7.81.1925                       | . . . STRAP, assembly<br>Attaching parts for EG7.81.1925:                                     | 29         | -           | 39/28     |
| A32/B16                           | . . . Screw, 4BA round head   | 58         | -           | 39/21     |
| SP13/B                            | . . . Washer, 4BA plain   | 58         | -           | 39/22     |
| EG7.81.1889                       | . . . TRUNK, section, assembly<br>Attaching parts for EG7.81.1889:                            | 1          | -           | 39/23     |
| A32/C16                           | . . . Screw, 2BA round head   | 6          | -           | 39/19     |
| SP13/C                            | . . . Washer, 2BA plain   | 6          | -           | 39/20     |
| EG7.81.1895                       | . . . TRUNK, section, assembly<br>Attaching parts for EG7.81.1895:                            | 1          | -           | 39/18     |
| A32/C16                           | . . . Screw, 2BA round head   | 8          | -           | 39/10     |
| SP13/C                            | . . . Washer, 2BA plain   | 8          | -           | 39/11     |
| EG7.81.1901                       | . . . TRUNK, section, assembly<br>Attaching parts for EG7.81.1901:                            | 1          | -           | 39/16     |
| A32/C16                           | . . . Screw, 2BA round head   | 8          | -           | 39/10     |
| SP13/C                            | . . . Washer, 2BA plain   | 8          | -           | 39/11     |
| R EG7.81.1907                     | . . . TRUNK, section, assembly<br>Attaching parts for EG7.81.1907:                            | 1          | -           | 39/5      |
| A32/C16                           | . . . Screw, 2BA round head   | 6          | -           | 39/8      |
| SP13/C                            | . . . Washer, 2BA plain   | 6          | -           | 39/9      |
| -                                 | . . . WIRING, No.1 FUEL TANK TRANSMITTER, ASSEMBLY<br>(EA3.81.387)<br>Spares for:             | -          | -           | 39/4      |
| SMITH'S<br>WAYMOUTH<br>JLA/103/60 | . . . BOX, connection cable<br>Attaching parts for JLA/103/60:                                | 1          | -           | 39/24     |
| A25/4C                            | . . . Bolt, 2BA hex. head   | 2          | -           | 39/25     |
| AGS2002/C/1                       | . . . Nut, stiff, 2BA   | 2          | -           | 39/27     |
| AS2809/4/030                      | . . . Tube, distance, 1/4" o/d x .30" long  | 2          | -           | 39/26     |

## ELECTRICAL

## ELECTRICAL EQUIPMENT IN CENTRE FUSELAGE

| Part Number   | Description  | No. Off | Mati. Spec. | Plate No. |   |
|---------------|--|---------|-------------|-----------|---|
|               |  |         |             |           | 1 |
| R -           | WIRING, FRAME 17 TO FRAME 18, ASSEMBLY<br>(EA3.81.389) (Pre SAS4745) | -       | -           | 41/4      |   |
| R -           | WIRING, FRAME 17 TO FRAME 18, ASSEMBLY<br>(EG7.81.3793) (SAS4745)    | -       | -           |           |   |
|               | Spares for:  |         |             |           |   |
| R EA3.81.539  | . . FAIRLEAD (Pre SAS4745)   | 1       | -           |           |   |
| R EC2.81.9073 | . . FAIRLEAD (SAS4745)   | 1       | -           | 41/51     |   |
| R EA3.81.540  | . . FAIRLEAD (Pre SAS4745)   | 1       | -           |           |   |
| R EC2.81.9074 | . . FAIRLEAD (SAS4745)   | 1       | -           | 41/53     |   |
| R EA3.81.541  | . . FAIRLEAD (Pre SAS4745)   | 1       | -           |           |   |
| R EC2.81.1785 | . . FAIRLEAD (SAS4745)   | 1       | -           | 41/52     |   |
| R EA3.81.542  | . . FAIRLEAD (Pre SAS4745)   | 1       | -           |           |   |
| R EC2.81.1786 | . . FAIRLEAD (SAS4745)   | 1       | -           | 41/59     |   |
|               | Attaching parts for EC2.81.9073, 9074, 1785 and 1786:                |         |             |           |   |
| A27/CP        | . . Nut, 2BA plain   | 3       | -           | 41/47     |   |
| A31/C14       | . . Screw, 2BA cheese head   | 3       | -           | 41/48     |   |
| SP47/C        | . . Washer, 2BA spring   | 3       | -           | 41/49     |   |
| SP15/C        | . . Washer, 2BA plain  | 3       | -           | 41/50     |   |
| EEAS132/12    | . . STRAP, cable, c/w buckle, 12" long                               | 1       | -           | 41/43     |   |
|               | Attaching parts for EEAS132/12:                                      |         |             |           |   |
| AS1248/3B     | . . Bolt, 4BA mushroom head  | 1       | -           | 41/44     |   |
| AGS2001/B/1   | . . Nut, stiff, 4BA  | 1       | -           | 41/45     |   |
| EEAS73        | . . Plate, clamp   | 1       | -           | 41/46     |   |
| R -           | WIRING, FRAME 21 TO FRAME 22, ASSEMBLY<br>(EA3.81.393) (Pre SAS4745) | -       | -           | 42/22     |   |
| R -           | WIRING, FRAME 21 TO FRAME 22, ASSEMBLY<br>(EG7.81.3797) (SAS4745)    | -       | -           |           |   |
|               | Spares for:  |         |             |           |   |
| R CZ61887     | . . PLUG, socket, bulkhead, Mk.4                                     | 1       | -           | 42/2      |   |
| 508/1/06452   | . . PLUG, bulkhead, size 'C'   | 2       | -           | 42/1      |   |
| EEAS132/9     | . . STRAP, cable, c/w buckle, 9" long                                | 2       | Webbing     | 42/3      |   |
|               | Attaching parts for EEAS132/9:                                       |         |             |           |   |
| R AS1248/2B   | . . Bolt, 4BA mushroom head, at Frame 21 only                        | 1       | -           |           |   |
| AS1248/3B     | . . Bolt, 4BA mushroom head, at Frame 22 only                        | 1       | -           | 42/4      |   |
| AGS2001/B/1   | . . Nut, stiff, 4BA  | 1       | -           | 42/5      |   |
| EEAS73        | . . Plate, clamp   | 1       | -           | 42/6      |   |
| EEAS28/2EPH   | . . WASHER   | 3       | L16         | 42/18     |   |
| -             | WIRING, TO FLAP TRANSMITTER, ASSEMBLY<br>(EA3.81.397)                | -       | -           | 42/20     |   |
|               | Spares for:  |         |             |           |   |
| EEAS132/9     | . . STRAP, cable, c/w buckle, 9" long                                | 2       | Webbing     | 42/11     |   |
|               | Attaching parts for EEAS132/9:                                       |         |             |           |   |
| AS1248/3B     | . . Bolt, 4BA mushroom head  | 1       | -           | 42/12     |   |
| AGS2001/B/1   | . . Nut, stiff, 4BA  | 1       | -           | 42/13     |   |
| EEAS73        | . . Plate, clamp   | 1       | -           | 42/14     |   |

## ELECTRICAL

## ELECTRICAL EQUIPMENT IN CENTRE FUSELAGE

| Part Number | Description  | No. Off | Matl. Spec.      | Plate No. |
|-------------|--|---------|------------------|-----------|
|             |  |         |                  |           |
| R -         | . WIRING, FRAME 16 TO FRAME 17, ASSEMBLY<br>(EA3.81.401) (Pre SAS4745) | -       | -                | 41/3      |
| R -         | . WIRING, FRAME 16 TO FRAME 17, ASSEMBLY<br>(EG7.81.3791) (SAS4745)    | -       | -                |           |
|             | Spares for:  |         |                  |           |
| EA1.75.65   | . . GROMMET  | 1       | Tufnoi           | 41/1      |
| EEAS132/7   | . . STRAP, cable, c/w buckle, 7" long, port                            | 1       | Webbing<br>Comm. | 41/2      |
| EEAS132/15  | . . STRAP, cable, c/w buckle, 15" long, starboard                      | 1       | Webbing<br>Comm. | 41/15     |
|             | Attaching parts for EEAS132/7 and EEAS132/15:                          |         |                  |           |
| AS1248/3B   | . . Bolt, 4BA mushroom head  | 1       | -                | 41/16     |
| AGS2001/B/1 | . . Nut, stiff, 4BA  | 1       | -                | 41/17     |
| EEAS73      | . . Plate, clamp   | 1       | -                | 41/18     |
| R -         | . WIRING, FRAME 15 TO FRAME 16, ASSEMBLY<br>(EA3.81.405) (Pre SAS4745) | -       | -                | 41/28     |
| R -         | . WIRING, FRAME 15 TO FRAME 16, ASSEMBLY<br>(EG7.81.3789) (SAS4745)    | -       | -                |           |
|             | Spares for:  |         |                  |           |
| EEAS132/7   | . . STRAP, cable, c/w buckle, 7" long                                  | 1       | Webbing<br>Comm. | 41/2      |
| EEAS132/15  | . . STRAP, cable, c/w buckle, 15" long, starboard                      | 1       | Webbing<br>Comm. | 41/15     |
|             | Attaching parts for EEAS132/7 and EEAS132/15:                          |         |                  |           |
| AS1248/3B   | . . Bolt, 4BA mushroom head  | 1       | -                | 41/16     |
| AGS2001/B/1 | . . Nut, stiff, 4BA  | 1       | -                | 41/17     |
| EEAS73      | . . Plate, clamp   | 1       | -                | 41/18     |

## ELECTRICAL

## ELECTRICAL EQUIPMENT IN CENTRE FUSELAGE

| Part Number                      | Description   | No. Off | Mati. Spec.   | Plate No. |
|----------------------------------|---|---------|---------------|-----------|
|                                  |   |         |               |           |
| -                                | . WIRING, FRAME 20 TO FRAME 21, ASSEMBLY (EA3.81.415)<br>Spares for:                          | -       | -             | 42/23     |
| EEAS132/7                        | . . STRAP, cable, c/w buckle, 7" long   | 1       | Webbing Comm. | 42/28     |
| EEAS132/9                        | . . STRAP, cable, c/w buckle, 9" long   | 1       | Webbing Comm. | 42/24     |
|                                  | Attaching parts for EEAS132/7 and EEAS132/9:  |         |               |           |
| AS1242/2B                        | . . Bolt, 4BA mushroom head   | 1       | -             | 42/25     |
| AGS2001/B/1                      | . . Nut, stiff, 4BA   | 1       | -             | 42/26     |
| EEAS73                           | . . Plate, clamp  | 1       | -             | 42/27     |
| R -                              | . WIRING, FRAME 12 TO FRAME 13, PORT, ASSEMBLY (EA3.81.417) (Pre SAS4745)<br>Spares for:      | -       | -             | 40/33     |
| EEAS132/12                       | . . STRAP, cable, c/w buckle, 12" long  | 2       | Webbing Comm. | 40/44     |
|                                  | Attaching parts for EEAS132/12:   |         |               |           |
| AS1248/1B                        | . . Bolt, 4BA mushroom head   | 1       | -             | 40/46     |
| AGS2001/B/1                      | . . Nut, stiff, 4BA   | 1       | -             | 40/43     |
| EEAS73                           | . . Plate, clamp  | 1       | -             | 40/45     |
| R -                              | . WIRING, FRAME 12 TO FRAME 13, STARBOARD, ASSEMBLY (EA3.81.418) (Pre SAS4745)<br>Spares for: | -       | -             | 40/22     |
| EEAS132/12                       | . . STRAP, cable, c/w buckle, 12" long  | 3       | Webbing Comm. | 40/24     |
| R -                              | . WIRING, FRAME 13 TO FRAME 14, ASSEMBLY (EA3.81.1263) (Pre SAS4745)                          | -       | -             | 40/34     |
| R -                              | . WIRING, FRAME 13 TO FRAME 14, ASSEMBLY (EG7.81.3787) (SAS4745)<br>Spares for:               | -       | -             |           |
| R EA3.81.1279                    | . . BOLT, attachment for cocking indicator plug (Pre SAS4745)                                 | 1       | -             | 40/23     |
| EEAS132/15                       | . . STRAP, cable, c/w buckle, 15" long  | 1       | Webbing Comm. | 40/31     |
| R EEAS28/2EPH                    | . . WASHER (Pre SAS4745)  | 2       | L16           | 40/47     |
| R -                              | . WIRING, FRAME 19 TO FRAME 20, ASSEMBLY (EA3.81.1265) (Pre SAS4745)                          | -       | -             | 41/27     |
| R -                              | . WIRING, FRAME 19 TO FRAME 20, ASSEMBLY (EG7.81.3795) (SAS4745)<br>Spares for:               | -       | -             |           |
| SMITHS<br>WAYMOUTH<br>JLA/103/61 | . . BOX, connecting, cable<br>Attaching parts for JLA/103/61:                                 | 1       | -             | 41/29     |
| A25/1C                           | . . Bolt, 2BA hex. head   | 2       | -             | 41/30     |
| AGS2001/C/1                      | . . Nut, stiff, 2BA   | 2       | -             | 41/31     |
| EEAS133                          | . . BRACKET, clip   | 2       | -             | 41/32     |

## ELECTRICAL

## ELECTRICAL EQUIPMENT IN CENTRE FUSELAGE

| Part Number                | Description   | No. Off | Mtl. Spec.       | Plate No. |
|----------------------------|---|---------|------------------|-----------|
|                            |   |         |                  |           |
| EEAS132/9                  | . . STRAP, cable, c/w buckle, 9" long, port                             | 1       | Webbing<br>Comm. | 41/5      |
|                            | Attaching parts for EEAS132/9:  |         |                  |           |
| AS1248/1B                  | . . Bolt, 4BA mushroom head   | 1       | -                | 41/6      |
| AGS2001/B/1                | . . Nut, stiff, 4BA   | 1       | -                | 41/7      |
| EB6.81.745                 | . . Plate, clamp  | 1       | -                | 41/8      |
| EEAS132/12                 | . . STRAP, cable, c/w buckle, 12" long, starboard                       | 1       | Webbing<br>Comm. | 41/34     |
|                            | Attaching parts for EEAS132/12:   |         |                  |           |
| AS1248/1B                  | . . Bolt, 4BA mushroom head   | 1       | -                | 41/35     |
| AGS2001/B/1                | . . Nut, stiff, 4BA   | 1       | -                | 41/36     |
| EEAS73                     | . . Plate, clamp  | 1       | -                | 41/37     |
| R -                        | . WIRING, FRAME 24 TO FRAME 25, ASSEMBLY<br>(EA3.81.1267) (Pre SAS4745) | -       | -                | 42/19     |
| R -                        | . WIRING, FRAME 24 TO FRAME 25, ASSEMBLY<br>(EG7.81.3799) (SAS4745)     | -       | -                |           |
|                            | Spares for:   |         |                  |           |
| SMITHS<br>WAYMOUTH<br>JY86 | . . BOX, connection, cable  | 1       | -                | 42/15     |
|                            | Attaching parts for JY86:   |         |                  |           |
| A25/1C                     | . . Bolt, 2BA hex. head   | 2       | -                | 42/16     |
| AGS2001/C/1                | . . Nut, stiff, 2BA   | 2       | -                | 42/17     |
| R SP13/C                   | . . Washer, 2BA   | 2       | -                |           |
| EEAS132/12                 | . . STRAP, cable, c/w buckle, 12" long                                  | 2       | Webbing<br>Comm. | 42/7      |
|                            | Attaching parts for EEAS132/12:   |         |                  |           |
| AS1248/2B                  | . . Bolt, 4BA mushroom head   | 1       | -                | 42/8      |
| AGS2001/B/1                | . . Nut, stiff, 4BA   | 1       | -                | 42/9      |
| EEAS73                     | . . Plate, clamp  | 1       | -                | 42/10     |
| EEAS28/4DPH                | . . WASHER, earth bolt  | 2       | L16              | 42/21     |
| -                          | . WIRING AND CLIPPING AT FRAMES 12 TO 13,<br>ASSEMBLY (EG7.81.1503)     | -       | -                | 40/19     |
|                            | Spares for:   |         |                  |           |
| R -                        | . DUCT, CABLE INSULATION, BETWEEN FRAMES 12<br>AND 13 (EG7.81.2801)     | -       | -                | 40/27     |
|                            | Spares for:   |         |                  |           |
| EG7.81.3221                | . . . ANGLE   | 1       | L72              | 40/41     |
|                            | Attaching parts for EG7.81.3221:  |         |                  |           |
| A25/2C                     | . . . Bolt, 2BA hex. head   | 2       | -                | 40/42     |
| AGS2001/C/1                | . . . Nut, stiff, 2BA   | 2       | -                | 40/35     |
| SP15/C                     | . . . Washer, 2BA plain   | 2       | -                | 40/37     |
| EG7.81.2379                | . . . DUCT, cable, assembly   | 1       | -                | 40/32     |
|                            | Attaching parts for EG7.81.2379:  |         |                  |           |
| A25/2C                     | . . . Bolt, 2BA hex. head   | 2       | -                | 40/30     |
| AGS2001/C/1                | . . . Nut, stiff, 2BA   | 2       | -                | 40/29     |
| SP15/C                     | . . . Washer, 2BA plain   | 4       | -                | 40/28     |

## ELECTRICAL

## ELECTRICAL EQUIPMENT IN CENTRE FUSELAGE

| Part Number  | Description  | No.<br>Off | Mtrl. Spec.      | Plate No. |
|--------------|--|------------|------------------|-----------|
|              |  |            |                  |           |
| EEAS132/18   | . . STRAP, cable, c/w buckle, 18" long   | 4          | Webbing<br>Comm. | 40/10     |
|              | Attaching parts for EEAS132/9 and EEAS132/18:  |            |                  |           |
| AS1248/1B    | . . Bolt, 4BA mushroom head  | 1          | —                | 40/12     |
| AGS2001/B/1  | . . Nut, stiff, 4BA  | 1          | —                | 40/2      |
| EEAS73       | . . Plate, clamp   | 1          | —                | 40/7      |
| SP13/B       | . . Washer, 4BA plain  | 1          | —                | 40/5      |
| EEAS132/15   | . . STRAP, cable, c/w buckle, 15" long   | 3          | Webbing<br>Comm. | 40/24     |
| —            | . WIRING AND CLIPPING, ASSEMBLY (EG7.81.1623)  | —          | —                | 42/46     |
|              | Spares for:  |            |                  |           |
| EG7.81.1719  | . . FAIRLEAD, assembly   | 1          | —                | 42/45     |
|              | Attaching parts for EG7.81.1719:   |            |                  |           |
| A25/3B       | . . Bolt, 4BA hex. head  | 4          | —                | 42/49     |
| AGS2001/B/1  | . . Nut, stiff, 4BA  | 4          | —                | 42/47     |
| SP13/B       | . . Washer, 4BA plain  | 8          | —                | 42/48     |
| EB5.81.8291  | . . PAD, rubber, cable straps  | 4          | —                | 42/34     |
| EB5.81.7481  | . . STRAP, cable   | 2          | —                | 42/35     |
| EB5.81.7483  | . . STRAP, cable   | 2          | —                | 42/44     |
| —            | . WIRING TO IDENTIFICATION LIGHTS, ASSEMBLY<br>(EG7.81.1661)                           | —          | —                | 40/36     |
|              | Spares for:  |            |                  |           |
| 5L/9952604   | . . LAMP, filament, 24V, 80 watt   | 1          | —                | 40/38     |
| 5CX/1053245  | . . LAMP, identification, type 'C'   | 1          | —                | 40/39     |
| 5CX/4679628  | . . LAMP, front, amber   | 1          | —                | 40/40     |
| —            | . WIRING AND SUPPRESSOR, FRAME 14 TO FRAME 15,<br>ASSEMBLY (EA3.81.2529) (Pre SAS4745) | —          | —                | 40/21     |
| —            | . WIRING AND SUPPRESSOR, FRAME 14 TO FRAME 15,<br>ASSEMBLY (EG7.81.3801) (SAS4745)     | —          | —                |           |
|              | Spares for:  |            |                  |           |
| R E & I 7049 | . . BLOCK, terminal, type B, No.1  | 2          | —                | 40/20     |
| R            | Attaching parts for E & I 7049:  |            |                  |           |
| A27/AP       | . . Nut, 6BA plain   | 2          | —                | 40/17     |
| A33/A32      | . . Screw, 6BA c'sk head   | 2          | —                | 40/15     |
| SP47/A       | . . Washer, 6BA spring   | 2          | —                | 40/16     |
| EEAS132/7    | . . STRAP, cable, c/w buckle, 7" long, port  | 1          | Webbing<br>Comm. | 40/26     |
| EEAS132/15   | . . STRAP, cable, c/w buckle, 15" long, starboard                                      | 1          | Webbing<br>Comm. | 40/9      |
|              | Attaching parts for EEAS132/7 and EEAS132/15:  |            |                  |           |
| AS1248/3B    | . . Bolt, 4BA mushroom head  | 1          | —                | 40/8      |
| AGS2001/B/1  | . . Nut, stiff, 4BA  | 1          | —                | 40/1      |
| EEAS73       | . . Plate, clamp   | 1          | —                | 40/6      |

## ELECTRICAL

## ELECTRICAL EQUIPMENT IN CENTRE FUSELAGE

| Part Number  | Description   | No. Off | Matl. Spec.      | Plate No. |   |
|--------------|---|---------|------------------|-----------|---|
|              |   |         |                  |           | 1 |
| 5CY/4376390  | . . SUPPRESSOR, type O, No.2<br>Attaching parts for 5CY/4376390:                                    | 2       | --               | 40/13     |   |
| A25/2B       | . . Bolt, 4BA hex. head   | 4       | --               | 40/11     |   |
| A27/BP       | . . Nut, 4BA plain  | 4       | --               | 40/3      |   |
| SP47/B       | . . Washer, 4BA spring  | 4       | --               | 40/4      |   |
| -            | . WIRING, AND SUPPRESSORS, FRAME 18 TO FRAME 19,<br>ASSEMBLY (EA3.81.2531) (Pre SAS4745)            | -       | --               | 41/14     |   |
| -            | . WIRING, AND SUPPRESSORS, FRAME 18 TO FRAME 19,<br>ASSEMBLY (EG7.81.3803) (SAS4745)<br>Spares for: | -       | --               |           |   |
| R E & I 7049 | . . BLOCK, terminal, type 'B', No.1<br>Attaching parts for E & I 7049:                              | 2       | --               | 41/37     |   |
| A27/AP       | . . Nut, 6BA plain  | 2       | --               | 41/38     |   |
| A33/A20      | . . Screw, 6BA  | 2       | --               |           |   |
| A33/A28      | . . Screw, 6BA  | 2       | --               |           |   |
| SP47/A       | . . Washer, 6BA spring  | 2       | --               | 41/40     |   |
| SP15/A       | . . Washer, 6BA plain   | 1       | --               | 41/41     |   |
| SP16/A       | . . Washer, 6BA plain   | 1       | --               | 41/42     |   |
| EEAS132/9    | . . STRAP, cable, c/w buckle, 9" long, port<br><br>Attaching parts for EEAS132/9:                   | 1       | Webbing<br>Comm. | 41/19     |   |
| AS1248/2B    | . . Bolt, 4BA mushroom head   | 1       | --               | 41/20     |   |
| AGS2001/B/1  | . . Nut, stiff, 4BA   | 1       | --               | 41/21     |   |
| EB6.81.745   | . . Plate, clamp  | 1       | --               | 41/22     |   |
| EEAS132/12   | . . STRAP, cable, c/w buckle, 12" long<br><br>Attaching parts for EEAS132/12:                       | 1       | Webbing<br>Comm. | 41/23     |   |
| AS1248/2B    | . . Bolt, 4BA mushroom head   | 1       | --               | 41/24     |   |
| AGS2001/B/1  | . . Nut, stiff, 4BA   | 1       | --               | 41/25     |   |
| EEAS73       | . . Plate, clamp  | 1       | --               | 41/26     |   |
| 5CY/4376390  | . . SUPPRESSOR, type O, No.2<br>Attaching parts for 5CY/4376390:                                    | 2       | --               | 41/9      |   |
| A25/2B       | . . Bolt, 4BA hex. head, port only  | 2       | --               |           |   |
| A25/4B       | . . Bolt, 4BA hex. head, starboard only   | 2       | --               | 41/10     |   |
| A27/BP       | . . Nut, 4BA plain  | 4       | --               | 41/11     |   |
| AS2806/4/02  | . . Piece, distance, starboard only   | 4       | --               | 41/12     |   |
| SP47/B       | . . Washer, 4BA spring  | 4       | --               | 41/13     |   |
| -            | . WIRING AND SUPPRESSORS, FRAME 23 TO FRAME 24,<br>ASSEMBLY (EA3.81.2533)<br>Spares for:            | -       | --               | 42/29     |   |
| R E & I 7049 | . . BLOCK, terminal, type 'B', No.1<br>Attaching parts for E & I 7049:                              | 2       | --               | 42/40     |   |
| A27/AP       | . . Nut, 6BA plain  | 2       | --               | 42/41     |   |
| A33/A20      | . . Screw, 6BA c'sk head  | 2       | --               | 42/42     |   |
| SP47/A       | . . Washer, 6BA spring  | 2       | --               | 42/43     |   |
| EEAS132/12   | . . STRAP, cable, c/w buckle, 12" long<br><br>Attaching parts for EEAS132/12:                       | 1       | Webbing<br>Comm. | 42/36     |   |
| AS1248/2B    | . . Bolt, 4BA mushroom head   | 1       | --               | 42/37     |   |
| AGS2001/B/1  | . . Nut, stiff, 4BA   | 1       | --               | 42/38     |   |
| EEAS73       | . . Plate, clamp  | 1       | --               | 42/39     |   |
| 5CY/4376390  | . . SUPPRESSOR, type O, No.2<br>Attaching parts for 5CY/4376390:                                    | 2       | --               | 42/30     |   |
| A25/2B       | . . Bolt, 4BA hex. head   | 4       | --               | 42/31     |   |
| A27/BP       | . . Nut, 4BA plain  | 4       | --               | 42/32     |   |
| SP47/B       | . . Washer, 4BA spring  | 4       | --               | 42/33     |   |

## ELECTRICAL

## ELECTRICAL EQUIPMENT IN CENTRE FUSELAGE

| Part Number   | Description  | No.<br>Off | Matl. Spec. | Plate No. |
|---------------|--|------------|-------------|-----------|
|               |  |            |             |           |
| R -           | . WIRING AND CLIPPING IN CENTRE FUSELAGE PACKS<br>(EG7.82.5645) (MOD 5466)<br>Spares for:— | —          | —           | 58/1      |
| R EA3.10.2315 | . . ANGLE, lug   | 1          | —           |           |
| R EG7.82.5757 | . . BRACKET, "P" clip mounting   | 1          | —           | 58/2      |
| R EEAS136     | . . BRACKET, "P" clip  | QR         | —           | 58/3      |
| R AS3180/5B   | . . CLIP, "P", 5/16" dia   | 1          | —           | 58/4      |
| R AS3180/7B   | . . CLIP, "P", 7/16" dia   | 1          | —           | 58/5      |
| R AS3180/13B  | . . CLIP, "P"<br>Attaching parts for clips:—   | 2          | —           | 58/6      |
| R A25/1B      | . . Bolt, 4 BA, hex head   | 1          | —           | 58/7      |
| R AGS2001/B/1 | . . Nut, 4 BA  | 1          | —           | 58/8      |
| R PAN6483/AA  | . . RETAINER, cable tie  | QR         | —           | 58/9      |

## ELECTRICAL

## ELECTRICAL EQUIPMENT IN REAR FUSELAGE

| Part Number                      | Description   | No. Off | Mtl. Spec. | Plate No. |   |
|----------------------------------|---|---------|------------|-----------|---|
|                                  |   |         |            |           | 1 |
| R -                              | . ELECTRICAL EQUIPMENT IN REAR FUSELAGE, ASSEMBLY (EG7.81.37) (Pre Mod 5466)  | -       | -          |           |   |
| R -                              | . ELECTRICAL EQUIPMENT IN REAR FUSELAGE, ASSEMBLY (EG7.81.5109) (Mod 5466)<br>Spares for:-  | -       | -          |           |   |
| E.E. CO. LTD.<br>BRADFORD        | . . . ACTUATOR, rudder bias, type 258, Mk.6   | 1       | -          | 43/1      |   |
| E.E. CO. LTD.<br>BRADFORD        | . . . ACTUATOR, tailplane, type AE4023, Mk.2  | 1       | -          | 43/11     |   |
| 1240                             | . . . BLOCK, terminal, 2-way  | 1       | -          | 43/6      |   |
| EG7.81.1663                      | . . . BOX, JUNCTION, No.6, GROUP<br>Spares for:-  | 1       | -          | 43/23     |   |
| 703-1-00249                      | . . . BLOCK, terminal, 20-way<br>Attaching parts for 703-1-00249:-  | 2       | -          | 43/28     |   |
| A43/B24                          | . . . Screw, 4 BA cheese head   | 2       | -          | 43/22     |   |
| EA1.81.583                       | . . . BOX, junction, 40-way   | 1       | -          | 43/49     |   |
| UNIMINYVIN 20                    | . . . CABLE, uniminyvin 20 (Pre SAS4745)  | QR      | -          |           |   |
| UNIMINYVIN 20                    | . . . CABLE, uniminyvin 20 (SAS4745)  | QR      | -          |           |   |
| UNIPREN 6                        | . . . CABLE, unipren 6 (Pre SAS4745)  | QR      | -          |           |   |
| UNIMINYVIN 16                    | . . . CABLE, uniminyvin 16 (SAS4745)  | QR      | -          |           |   |
| EA1.81.597/C                     | . . . COVER, assembly (Pre SAS4745)   | 1       | -          | 43/35     |   |
| EB7.81.963                       | . . . COVER (SAS4745)   | 1       | -          |           |   |
| Z23197                           | . . . GASKET, seal for blanking plate   | 2       | -          | 43/40     |   |
| Z23198                           | . . . GASKET, seal for blanking plate   | 2       | -          | 43/37     |   |
| Z22634                           | . . . GROMMET, dummy (Pre SAS4745)  | 4       | -          | 43/46     |   |
| Z50210                           | . . . LINK, commoning, 2-way (Pre SAS4745)  | 1       | -          | 43/29     |   |
| Z50211                           | . . . LINK, commoning, 3-way (CM0385, Mod.4923) (SAS4745)   | 1       | -          |           |   |
| Z50213                           | . . . LINK, commoning, 5-way (Pre SAS4745)  | 1       | -          | 43/30     |   |
| Z50215                           | . . . LINK, commoning, 7-way (CM0385, Mod.4923) (SAS4745)   | 1       | -          |           |   |
| EA1.81.461                       | . . . PLATE, blanking   | 1       | L72        | 43/39     |   |
| EA1.81.463                       | . . . PLATE, blanking   | 2       | L72        | 43/36     |   |
| 508/1/06413                      | . . . PLUG, size 'D'  | 1       | -          | 43/34     |   |
| Z49428                           | . . . SLEEVE, cable (Pre SAS4745)   | 14      | -          |           |   |
| Z49428                           | . . . SLEEVE, cable (SAS4745)   | 17      | -          |           |   |
| EEAS146/16/%                     | . . . SLEEVE, 3/4" long (SAS4745)   | QR      | -          |           |   |
| EEAS146/20/%                     | . . . SLEEVE, 3/4" long (SAS4745)   | QR      | -          |           |   |
| M.A.M. RUBBER<br>CO. LTD.        |   |         |            |           |   |
| Grade CXH                        | . . . SLEEVE, 3 mm i/d x 3/8" long, pink (SAS4745)  | 40      | -          |           |   |
| HC490                            | . . . TAG, quick release (Pre SAS4745)  | 2       | -          |           |   |
| HC490                            | . . . TAG, quick release (SAS4745)  | 17      | -          |           |   |
| HC500                            | . . . TAG, quick release (SAS4745)  | 1       | -          |           |   |
| 703-2-00315-020                  | . . . TAG, quick release  | 14      | -          |           |   |
| EEAS136                          | . . . BRACKET (SAS4745)   | 5       | -          |           |   |
| EA1.81.252                       | . . . BRACKET (SAS4745)   | 8       | -          |           |   |
| EB7.81.331                       | . . . BRACKET (SAS4745)   | 1       | -          |           |   |
| EB7.81.2389                      | . . . BRACKET (SAS4745)   | 1       | -          |           |   |
| EA1.81.367                       | . . . BRACKET (SAS4745)   | 1       | -          |           |   |
| A31/B8                           | Attaching parts for EA1.81.367:-<br>. . . Screw, cheese head, 4 BA  | 4       | -          |           |   |
| EG7.81.1814<br>or<br>EG7.81.3289 | . . . CABLE, ASSEMBLY, R505, FROM TERMINAL BLOCK<br>IN TAIL CONE TO WAVE GUIDE SWITCH AT<br>FRAME 48, GROUP (Pre SAS4745)<br>Spares for:- | 1       | -          | 43/7      |   |
| UNINYVIN 20<br>BENDIX            | . . . CABLE, uninyvin 20  | QR      | -          |           |   |
| 10-101033-10<br>BENDIX           | . . . PLUG, filler  | QR      | -          | 43/8      |   |
| PT06SE-10/6S(SR)                 | . . . PLUG, connector, pygmy  | 2       | -          | 43/9      |   |
| HC294                            | . . . TAG, ring tongue  | 4       | -          |           |   |

## ELECTRICAL

## ELECTRICAL EQUIPMENT IN REAR FUSELAGE

| Part Number                      | Description   | No.<br>Off | Matl. Spec. | Plate No. |
|----------------------------------|---|------------|-------------|-----------|
|                                  |   |            |             |           |
| EG7.81.1815<br>or<br>EG7.81.3287 | . CABLE, ASSEMBLY, R506, FROM J.B.6 TO T/B AT<br>FRAME 47, GROUP<br>(Pre SAS4745)<br>Consisting of:                               | 1          | -           | 43/15     |
| UNINYVIN 20<br>Z22430            | . . CABLE, uninyvin 20  | QR         | -           |           |
| EEAS146/20                       | . . GROMMET, No.2   | 1          | -           |           |
| EEAS146/6                        | . . SLEEVE, 3/4" long   | QR         | -           |           |
| HC294                            | . . SLEEVE, 1" long   | QR         | -           |           |
| HC490                            | . . TAG, ring tongue  | 2          | -           |           |
| EG7.81.3291                      | . . TAG, quick release  | 2          | -           |           |
|                                  | . CABLE, ASSEMBLY, R471, FROM TAIL CONE TEST<br>PANEL TO T/B AT FRAME 47, GROUP<br>(Pre SAS4745) (Pre Mod 5466)<br>Consisting of: | 1          | -           |           |
| UNINYVIN 20<br>BENDIX            | . . CABLE, uninyvin 20  | QR         | -           |           |
| 10-101964-83<br>BENDIX           | . . CAP, protective   | 1          | -           |           |
| 10-101964-103<br>BENDIX          | . . CAP, protective   | 1          | -           |           |
| 10-101033-10<br>HT50-1/2         | . . FILLER, plug  | 4          | -           |           |
| EEAS146/20                       | . . SLEEVE, Helsyn 150, 1/2" long, white  | QR         | -           |           |
| EEAS146/20                       | . . SLEEVE, 1/4" long   | QR         | -           |           |
| EEAS146/2                        | . . SLEEVE, 3/4" long   | QR         | -           |           |
| EEAS146/6                        | . . SLEEVE, 1" long   | QR         | -           |           |
| EEAS146/12<br>BENDIX             | . . SLEEVE, 1" long   | QR         | -           |           |
| PT07SE-10-6S(SR)<br>BENDIX       | . . SOCKET, pygmy, fixed  | 1          | -           |           |
| PT07SE-8-33S(SR)<br>HC294        | . . SOCKET, pygmy, fixed  | 1          | -           |           |
|                                  | . . TAG, ring tongue  | 5          | -           | 43/5      |
| UNIMINYVIN 20<br>EA3.81.3127     | . CABLE, UNIMINYVIN 20 (Pre SAS4745)<br>. CLAMP, cable (SAS4745)<br>Attaching parts for EA3.81.3127:                              | QR<br>1    | -<br>-      |           |
| A25/11B                          | . Bolt, 4BA hex. head   | 2          | -           |           |
| AGS2001/B/1                      | . Nut, stiff, 4BA   | 2          | -           |           |
| SP13/B                           | . Washer, 4BA plain   | 2          | -           |           |
| AS3180/3B                        | . CLIP (SAS4745)  | 39         | -           |           |
| AS3180/4B                        | . CLIP (SAS4745)  | 4          | -           |           |
| AS3180/7B                        | . CLIP (SAS4745)  | 4          | -           |           |
| AS3180/8B                        | . CLIP (SAS4745)  | 8          | -           |           |
| AS3180/11B                       | . CLIP (SAS4745)  | 5          | -           |           |
| AS3180/13B                       | . CLIP (SAS4745)  | 1          | -           |           |
| AS3180/16B                       | . CLIP (SAS4745)  | 4          | -           |           |
| AS3180/5B                        | . CLIP (Pre SAS4745)  | 10         | -           |           |
| EA1.81.271                       | . CLEAT, cable (Pre SAS4745)<br>Attaching parts for EA1.81.271:   | 1          | -           | 43/17     |
| A25/13C                          | . Bolt, 2BA hex. head   | 2          | -           | 43/12     |
| SP13/C                           | . Washer, 2BA plain   | 2          | -           | 43/13     |
| EA1.81.979                       | . CLEAT, cable (Pre SAS4745)<br>Attaching parts for EA1.81.979:   | 1          | -           | 43/25     |
| EA1.81.977                       | . Bolt, special, 4BA  | 2          | -           | 43/20     |
| SP13/B                           | . Washer, 4BA plain   | 2          | -           | 43/14     |
| HC1290                           | . CONNECTOR, inline splice (SAS4745)  | 3          | -           |           |

## ELECTRICAL

## ELECTRICAL EQUIPMENT IN REAR FUSELAGE

| Part Number            | Description   | No.<br>Off | Matl. Spec. | Plate No. |
|------------------------|---|------------|-------------|-----------|
|                        |   |            |             |           |
| EA3.81.6481            | . DIODE, INSTALLATION<br>Spares for:                  | -          | -           | 43/16     |
| EA3.81.6479            | . . . PACKING, viton rubber, grade 'B'                | 1          | DTD5543     | 43/19     |
| EA3.81.6473            | . . . PLATE, diode mounting, assembly<br>Spares for:  | 1          | -           | 43/32     |
| EA3.81.6477            | . . . . CABLE, assembly, T451<br>Consisting of:       | 1          | -           | 43/10     |
| UNITERSIL 20           | . . . . CABLE, unitersil 20                           | QR         | -           |           |
| EEAS146/20             | . . . . SLEEVE, 3/4" long                             | 4          | -           |           |
| EEAS146/16             | . . . . SLEEVE, 1/4" long                             | 1          | -           |           |
| ROSS COURTNEY<br>WE487 | . . . . TERMINAL                                      | 2          | -           | 43/26     |
| FERRANTI<br>ZR12       | . . . . DIODE   | 1          | -           | 43/18     |
| OXLEY<br>156/50/LP     | . . . . INSULATOR<br>Attaching parts for EA3.81.6473: | 2          | -           | 43/27     |
| AGS2001/B/1            | . . . Nut, stiff, 4BA                                 | 2          | -           | 43/24     |
| A31/B16                | . . . Screw, 4BA cheese head                          | 2          | -           | 43/21     |

R

ELECTRICAL

ELECTRICAL EQUIPMENT IN REAR FUSELAGE

| Part Number | Description<br>1 2 3 4 5 6 | No.<br>Off | Matl. Spec. | Plate No. |
|-------------|----------------------------|------------|-------------|-----------|
|             |                            |            |             |           |

## ELECTRICAL

## ELECTRICAL EQUIPMENT IN REAR FUSELAGE

| Part Number  | Description   | No. Off | Matl. Spec. | Plate No. |
|--------------|---|---------|-------------|-----------|
|              |   |         |             |           |
| EA1.81.41    | . ELECTRICAL EQUIPMENT, REAR FUSELAGE FAIRING, ASSEMBLY<br>Spares for:—   | —       | —           | 44/9      |
| EA1.81.91/1  | . . . LIGHT, TAIL, UPPER, GROUP<br>Spares for:—   | 1       | —           | 44/7      |
| UNIPREN 6    | . . . . CABLE, unipren 6  | QR      | —           |           |
| Z22430       | . . . . GROMMET, No.2   | 1       | —           | 44/13     |
| EA1.81.978   | . . . . LAMP, ASSEMBLY (LESS CABLE)<br>Spares for:—   | 1       | —           | 44/1      |
| EA1.81.332   | . . . . . DOME, lamp protecting   | 1       | Perspex     | 44/4      |
| 5CX/4330018  | . . . . . LAMP, navigation, type 'B', port  | 1       | —           | 44/3      |
| EA1.81.331   | . . . . . SCREEN, cap, dome mounting  | 1       | —           | 44/2      |
| No. 1 x 1/2" | . . . . . SLEEVE, 1 x 1/2"  | 4       | —           |           |
| No. 2 x 3/4" | . . . . . SLEEVE, 2 x 3/4"  | 2       | —           |           |
| EA1.81.92/1  | . . . LIGHT, TAIL, LOWER, GROUP<br>Spares for this group are identical with those for group Part No.EA1.81.91/1 except for the following deletion<br>Delete:— | 1       | —           | 44/19     |
| Z22430       | . . . . GROMMET, No.2   | 1       | —           | 44/13     |
| Z2277/2      | . FERRULE, size 'Z'   | 1       | —           |           |
| Z22432       | . GROMMET (Pre SAS4745)   | 2       | —           |           |
| EA1.81.307   | . LOOMS, CABLE, ASSEMBLY (PRE SAS4745)  | —       | —           | 44/10     |
| EG7.81.3751  | . LOOMS, CABLE, ASSEMBLY (SAS4745) (Pre Mod 5466)   | —       | —           |           |
| —            | . LOOMS, CABLE, ASSEMBLY (EG7.81.5135) (Mod 5466)<br>Consisting of:—  | —       | —           |           |
| EB7.81.531   | . . . CABLE, ASSEMBLY, E6, FROM J.B.6 TO EARTH, GROUP (Pre SAS4745)   | 1       | —           | 44/8      |
| EA3.81.6197  | . . . CABLE, ASSEMBLY, E6 (SAS4745)<br>Consisting of:—  | 1       | —           |           |
| UNINYVIN 12  | . . . . CABLE, uninyvin 12  | QR      | —           |           |
| HV3112       | . . . . GROMMET   | 1       | —           |           |
| EEAS146/C    | . . . . SLEEVE, 3/4" long   | 4       | —           |           |
| 12108        | . . . . TAG, closed end (Pre SAS4745)   | 2       | —           |           |
| HC312        | . . . . TAG, R.T. (SAS4745)   | 2       | —           |           |
| Z19926       | . . . . TAG, quick release  | 2       | —           |           |
| Z19981       | . . . . THIMBLE, quick release  | 4       | —           |           |
| EA1.81.801/2 | . . . CABLE, ASSEMBLY, T6, FROM BOMB BAY BULKHEAD, FRAME 29 TO J.B.6, GROUP<br>Consisting of:—  | 1       | —           | 44/16     |
| UNINYVIN 20  | . . . . CABLE, uninyvin 20  | QR      | —           |           |

R  
R

## ELECTRICAL

## ELECTRICAL EQUIPMENT IN REAR FUSELAGE

| Part Number     | Description   | No. Off | Mater. Spec. | Plate No. |
|-----------------|---|---------|--------------|-----------|
|                 |   |         |              |           |
| R UNIPREN 12    | . . . CABLE, unipren 12   | QR      | —            |           |
| R UNINYVIN 12   | . . . CABLE, uninyvin 12  | QR      | —            |           |
| Z18500/D        | . . . FERRULE, size 'D'   | 2       | —            |           |
| Z18501/D        | . . . RING, clamp   | 2       | —            |           |
| EEAS146/A1      | . . . SLEEVE, 3/4" long   | 40      | —            |           |
| EEAS146/C       | . . . SLEEVE, 3/4" long   | 2       | —            |           |
| Z49428          | . . . SLEEVE, cable   | 32      | —            |           |
| EEAS118/5/T6    | . . . SLEEVE, identification  | 1       | —            |           |
| END 'A'         |   |         |              |           |
| EEAS118/5/T6    | . . . SLEEVE, identification  | 1       | —            |           |
| END 'B'         |   |         |              |           |
| 508/1/03983     | . . . SOCKET, 26-way, size 'D'  | 1       | —            |           |
| 508/1/03961     | . . . SOCKET, 26-way, size 'D'  | 1       | —            |           |
| 5F/             | . . . TUBING, P.V.C., 25.4 mm x 1.2 mm  | QR      | —            |           |
| EA1.81.803/2    | . . . CABLE, ASSEMBLY, T33, FROM BOMB BAY BULKHEAD<br>FRAME 29 TO TAIL PLANE ACTUATOR,<br>GROUP (Pre SAS4745)<br>Consisting of: | 1       | —            |           |
| R UNINYVIN 8    | . . . CABLE, uninyvin 8   | QR      | —            |           |
| 33H/2202125     | . . . CEMENT, Bostik  | QR      | —            |           |
| EEAS88/3        | . . . FERRULE, special, size 'C'  | 1       | —            |           |
| EA1.81.483      | . . . FERRULE, special, 20 SWG  | 1       | L54          |           |
| Z22432          | . . . GROMMET, No.4   | 1       | —            |           |
| AGS1705         | . . . LUG, terminal, No.3   | 2       | —            |           |
| Z18501/B        | . . . RING, clamp   | 2       | —            |           |
| 5K/             | . . . SLEEVE, 3/4" long   | 4       | —            |           |
| EEAS118/3/T33   | . . . SLEEVE, identification  | 2       | —            |           |
| 508/1/03978     | . . . SOCKET, assembly, size 'C'  | 1       | —            |           |
| 5F/9130912      | . . . TUBING, P.V.C., 15.8 mm x 1 mm  | QR      | —            |           |
| EA1.81.806/1    | . . . CABLE, ASSEMBLY, 6G, FROM J.B.6 TO TAIL<br>NAVIGATION LIGHTS TERMINAL BLOCK,<br>GROUP<br>Consisting of:                   | 1       | —            |           |
| R UNINYVIN 20   | . . . CABLE, uninyvin 20  | QR      | —            |           |
| Z22430          | . . . GROMMET, No.2   | 1       | —            |           |
| EEAS146/A       | . . . SLEEVE, 3/4" long   | 2       | —            |           |
| EEAS146/A1      | . . . SLEEVE, 3/4" long   | 2       | —            |           |
| EEAS146/C       | . . . SLEEVE, 1" long   | 2       | —            |           |
| 703-2-00315-020 | . . . TAG, quick release  | 2       | —            |           |

## ELECTRICAL

## ELECTRICAL EQUIPMENT IN REAR FUSELAGE

| Part Number     | Description  | No. Off | Matl. Spec. | Plate No. |
|-----------------|--|---------|-------------|-----------|
|                 |  |         |             |           |
| EA1.81.809/1    | . . . CABLE, ASSEMBLY, 6B, FROM J.B.6 TO TAIL PLANE<br>LIMIT SWITCH, GROUP (Pre SAS4745)<br>Consisting of:   | 1       | -           |           |
| R UNINYVIN 20   | . . . CABLE, uninyvin 20   | QR      | -           |           |
| Z22430          | . . . GROMMET, No.2  | 1       | -           |           |
| 5K/             | . . . SLEEVE, 3/4" long  | 2       | -           |           |
| 5K/             | . . . SLEEVE, 3/4" long  | 2       | -           |           |
| 703-2-00315-020 | . . . TAG, quick release   | 2       | -           |           |
| EA1.81.810/1    | . . . CABLE, ASSEMBLY, 6C, FROM J.B.6 TO TAIL PLANE<br>LIMIT SWITCH, GROUP (Pre SAS4745)<br>Spares for this group are identical with those for<br>group Part No.EA1.81.809/1 | 1       | -           |           |
| EA1.81.811/2    | . . . CABLE, ASSEMBLY, 6A, FROM J.B.6 TO TAIL PLANE<br>POSITION TRANSMITTER, GROUP<br>(Pre SAS4745)  | 1       | -           |           |
| EA1.81.1209     | . . . CABLE, ASSEMBLY, 6A (SAS4745)<br>Consisting of:  | 1       | -           |           |
| EA1.81.367      | . . . BRACKET, plug support  | 1       | -           |           |
| R UNINYVIN 20   | . . . CABLE, uninyvin 20   | QR      | -           |           |
| Z2277/2         | . . . FERRULE, cut   | 1       | -           |           |
| Z23414          | . . . GASKET, plug moulding  | 1       | -           |           |
| Z28156          | . . . GASKET, socket ferrule   | 1       | -           |           |
| Z22431          | . . . GROMMET, No.3  | 1       | -           |           |
| Z49280          | . . . NUT, coupling  | 1       | -           |           |
| 508/1/06396     | . . . PLUG, assembly, 5-way, size 'Z'  | 1       | -           |           |
| Z1500           | . . . SHROUD, plug   | 1       | -           |           |
| Z49428          | . . . SLEEVE, cable  | 5       | -           |           |
| EEAS146/A1      | . . . SLEEVE, 3/4" long  | 5       | -           |           |
| EEAS146/D1      | . . . SLEEVE, 1" long  | 3       | -           |           |
| 703-2-00315-020 | . . . TAG, quick release   | 5       | -           |           |
| 32B/1250522     | . . . THREAD, waxed linen, No.18   | QR      | -           |           |
| EA1.81.813/1    | . . . CABLE, ASSEMBLY, E33, FROM TAIL PLANE<br>ACTUATOR TO EARTH, GROUP<br>(Pre SAS4745)<br>Consisting of:   | 1       | -           |           |
| R UNINYVIN 8    | . . . CABLE, uninyvin 8  | QR      | -           |           |
| AGS1705         | . . . LUG, terminal, No.3  | 1       | -           |           |
| 5K/             | . . . SLEEVE, 1" long  | 2       | -           |           |

## ELECTRICAL

## ELECTRICAL EQUIPMENT IN REAR FUSELAGE

| Part Number                      | Description   | No. Off | Matl. Spec. | Plate No. |
|----------------------------------|---|---------|-------------|-----------|
|                                  |   |         |             |           |
| EA2.81.1063<br>or<br>EA2.81.5953 | . . . CABLE, ASSEMBLY, 6D, FROM J.B.6 TO RUDDER TRIM ACTUATOR, GROUP<br>(Pre SAS4745)<br>Consisting of: | 1       | -           | 44/14     |
| R TRIPRENSHEATH 6                | . . . CABLE, triprensheath 6  | QR      | -           |           |
| Z22431                           | . . . GROMMET, No.3   | 2       | -           |           |
| EEAS146/A                        | . . . SLEEVE, 3/4" long   | 3       | -           |           |
| EEAS146/A1                       | . . . SLEEVE, 3/4" long   | 3       | -           |           |
| EEAS146/D1                       | . . . SLEEVE, 1" long   | 2       | -           |           |
| Z19924                           | . . . TAG, quick release  | 3       | -           |           |
| EA2.81.1065                      | . . . CABLE, ASSEMBLY, 6F, FROM J.B.6 TO RUDDER TRIM POSITION TRANSMITTER, GROUP<br>(Pre SAS4745)       | 1       | -           | 44/11     |
| EA2.81.5955                      | . . . CABLE, ASSEMBLY, 6F (SAS4745)<br>Consisting of:   | 1       | -           |           |
| R TRIPRENSHEATH 6                | . . . CABLE, triprensheath 6  | QR      | -           |           |
| Z22431                           | . . . GROMMET, No.3   | 2       | -           |           |
| EEAS146/A                        | . . . SLEEVE, 3/4" long   | 5       | -           |           |
| EEAS146/A1                       | . . . SLEEVE, 3/4" long   | 5       | -           |           |
| EEAS146/E                        | . . . SLEEVE, 1" long   | 2       | -           |           |
| Z19924                           | . . . TAG, quick release  | 5       | -           |           |
| EA3.81.3169/2                    | . . . CABLE, ASSEMBLY, T33M (SAS4745)   | 1       | -           |           |
| EH8.81.739                       | . . . CABLE, ASSEMBLY, T33 (SAS4745)  | 1       | -           |           |
| EH8.81.741                       | . . . CABLE, ASSEMBLY, T33A (SAS4745)   | 1       | -           |           |
| EA2.81.5957                      | . . . CABLE, ASSEMBLY, N102/K1 (SAS4745)  | 1       | -           |           |
| EG7.81.3287                      | . . . CABLE, ASSEMBLY, R506 (SAS4745)   | 1       | -           |           |
| EG7.81.3289                      | . . . CABLE, ASSEMBLY, R505 (SAS4745)   | 1       | -           |           |
| EG7.81.3291                      | . . . CABLE, ASSEMBLY, R471 (SAS4745)   | 1       | -           |           |
| Z22634                           | . . . GROMMET, dummy (SAS4745)  | 1       | -           |           |
| M.A.M. RUBBER CO.<br>GRADE CXH   | . . . SLEEVE (SAS4745)  | 10      | -           |           |
| EEAS146/12/1/2                   | . . . SLEEVE (Com.Mod.0385) (SAS4745)   | QR      | -           |           |
| EEAS146/20/1/2                   | . . . SLEEVE (Com.Mod.0385) (SAS4745)   | 6       | -           |           |
| EEAS146/20/3/4                   | . . . SLEEVE (Com.Mod.0385) (SAS4745)   | 6       | -           |           |
| MS3108E-10SL-3S                  | . . . SOCKET, free (Com.Mod.0385) (SAS4745)   | 2       | -           |           |
| HC294                            | . . . TAG, RT (SAS4745)   | 6       | -           |           |
| HC490                            | . . . TAG, QR (SAS4745)   | 6       | -           |           |
| †                                | . . . MOUNTING FOR JUNCTION BOX (EA1.81.42)<br>Consisting of:   | -       | -           | 43/45     |
| EA1.81.489                       | . . . CHANNEL   | 1       | DTD390-306  | 43/31     |
| EA1.81.490                       | . . . CHANNEL   | 1       | DTD390-306  | 43/33     |
|                                  | Attaching parts for EA1.81.489 and EA1.81.490:  |         |             |           |
| A25/1C                           | . . . Bolt, 2BA hex. head   | 4       | -           | 43/48     |
| AGS2001/C/1                      | . . . Nut, stiff, 2BA   | 4       | -           | 43/43     |
| SP13/C                           | . . . Washer, 2BA plain   | 4       | -           | 43/44     |

## ELECTRICAL

## ELECTRICAL EQUIPMENT IN REAR FUSELAGE

| Part Number     | Description                                      | No. Off | Matl. Spec. | Plate No. |
|-----------------|--|---------|-------------|-----------|
|                 |  |         |             |           |
| EA3.81.3133     | . PANEL, RELAY, REVERSING, ASSEMBLY (SAS4745)    | -       | -           |           |
|                 | Spares for:                                      |         |             |           |
| R 703-1-00232   | . . BLOCK, terminal, 3-way                       | 1       | -           |           |
|                 | Attaching parts for 703-1-00232:                 |         |             |           |
| Z28426          | . . Pillar, fixing                               | 2       | -           |           |
| R UNINYVIN 20   | . . CABLE, uninyvin 20                           | QR      | -           |           |
| EB7.81.429      | . . CLAMP, cable                                 | 1       | -           |           |
| EB7.81.431      | . . CLAMP, cable                                 | 1       | -           |           |
|                 | Attaching parts for EB7.81.429 and EB7.81.431:   |         |             |           |
| AS4565/10B      | . . Bolt, 4BA                                    | 2       | -           |           |
| CZ26802         | . . COVER, terminal block                        | 1       | -           |           |
| 703-2-00252     | . . LINK, 3-way                                  | 1       | -           |           |
| EB7.81.427      | . . PANEL, base                                  | 1       | -           |           |
| EEAS146/12/1/4  | . . SLEEVE, yellow, 3/4" long                    | 4       | -           |           |
| EEAS146/6/3/8   | . . SLEEVE, yellow, 3/8" long                    | 3       | -           |           |
| Z49428          | . . SLEEVE                                       | 2       | -           |           |
| ROTAX           |  |         |             |           |
| D5107/2         | . . SWITCH, time                                 | 1       | -           |           |
| or              |  |         |             |           |
| D5107/3         |  |         |             |           |
|                 | Attaching parts for D5107/2 or D5107/3:          |         |             |           |
| A43/C28         | . . Screw, 2BA                                   | 3       | -           |           |
| HC302           | . . TAG  | 2       | -           |           |
| HC490           | . . TAG  | 3       | -           |           |
| EEAS73          | . PLATE, clamp (Pre SAS4745)                     | 3       | -           |           |
| EEAS73          | . PLATE, clamp (SAS4745)                         | 11      | -           |           |
| -               | . RELAY, TYPE T.100B, INSTALLATION (EA3.81.2825) | -       | -           | 44/17     |
|                 | Spares for:                                      |         |             |           |
| 5CW/4400158     | . . RELAY, type T.100B                           | 1       | -           | 44/23     |
|                 | Attaching parts for 5CW/4400158:                 |         |             |           |
| A31/B32         | . . Screw, 4BA cheese head                       | 4       | -           | 44/6      |
| EEAS42          | . . Washer, leather                              | 4       | -           | 44/5      |
| 508/2/11232/002 | . SLEEVE, reducing (SAS4745)                     | 5       | -           |           |
| 508/1/03944     | . SOCKET, 5-way (SAS4745)                        | 1       | -           |           |
| HV3254          | . STRAP, 5/16" wide (Pre SAS4745)                | QR      | -           |           |
| EEAS132/7       | . STRAP, cable, c/w buckle, 7" long              | 11      | -           | 44/26     |
| EB7.81.329      | . STUD, earth (SAS4745)                          | 1       | -           |           |
| NY3255          | . STUD, nylon (Pre SAS4745)                      | QR      | -           |           |

ELECTRICAL  
ELECTRICAL EQUIPMENT IN REAR FUSELAGE

| Part Number | Description<br>1 2 3 4 5 6 | No.<br>Off | Matl. Spec. | Plate No. |
|-------------|----------------------------|------------|-------------|-----------|
|             |                            |            |             |           |

## ELECTRICAL

## ELECTRICAL EQUIPMENT IN REAR FUSELAGE

| Part Number           | Description                                       | No. Off | Mati. Spec. | Plate No. |
|-----------------------|---|---------|-------------|-----------|
|                       |   |         |             |           |
| DOWTY<br>DN1322Z Mk.2 | . SWITCH, micro (Mod.4449)                        | 2       | -           | 43/41     |
| or<br>DN1322Z Mk.3    | . SWITCH, micro (Mod.4959)                        | 2       | -           | 43/42     |
| A25/8B                | . Bolt, 4BA hex. head                             | 4       | -           | 43/47     |
| AGS2001/B/1           | . Nut, stiff, 4BA                                 | 4       | -           | 43/38     |
| R 32B1250522          | . THREAD, waxed linen, No.18                      | QR      | -           | 43/4      |
| EEAS28/6FP            | . WASHER  | 1       | L16         | 44/25     |
| EEAS28/15FP           | . WASHER  | 1       | L16         | 44/24     |
| R EEAS28/3DPH         | . WASHER, 4BA, non anodised (SAS4745)             | 3       | -           |           |
| R EEAS28/10DPH        | . WASHER, non anodised (SAS4745)                  | 2       | -           |           |
| EG7.82.2021           | . WIRING AND CLIPPING IN TAIL CONE<br>Spares for: | -       | -           | 44/17     |
| BRIS-CH               |   |         |             |           |
| R 333-27-402-0        | . . BLOCK, terminal (Alt.R60/114)                 | 1       | -           | 44/20     |
| R EG7.81.3285         | . . BRACKET, mtg., terminal block (Alt.R50/114)   | 1       | -           | 44/29     |
| WARD BROOKE           |   |         |             |           |
| R WB/NY/1110/B9       | . . COVER, terminal block (Alt.R60/114)           | 1       | -           | 44/27     |
| WB/1114/28            | . . PILLAR, fixing                                | 2       | -           | 44/22     |
| R EEAS551/10          | . . PLATE, ident. (Alt.R60/114)                   | 1       | -           | 44/28     |
| WARD BROOKE           |   |         |             |           |
| WB/1114/22            | . . SPACER  | 5       | -           | 44/21     |
| AGS2002/B/1           | . . NUT, stiff                                    | 6       | -           | 44/30     |
| SP15/B                | . . WASHER  | 2       | -           | 44/31     |
| EEAS238/1A            | . . WASHER, 'D'                                   | 6       | L72         | 44/15     |
| EEAS238/2A            | . . WASHER, 'D'                                   | 1       | L72         | 44/12     |

ELECTRICAL  
ELECTRICAL EQUIPMENT IN REAR FUSELAGE

| Part Number | Description<br>1 2 3 4 5 6 | No.<br>Off | Matl. Spec. | Plate No. |
|-------------|----------------------------|------------|-------------|-----------|
|             |                            |            |             |           |

## ELECTRICAL

## ELECTRICAL EQUIPMENT IN PORT WING

| Part Number     | Description  | No.<br>Off | Mati. Spec. | Plate No. |
|-----------------|--|------------|-------------|-----------|
|                 |  |            |             |           |
| -               | ELECTRICAL EQUIPMENT IN PORT WING, ASSEMBLY<br>(EG7.81.1609)<br>Spares for:      | -          | -           | 45/2      |
| -               | . CONDUIT ON RIB 7, INNER WING, ASSEMBLY<br>(EA1.81.17)<br>Spares for:           | -          | -           | 45/17     |
| EA1.81.102      | . . CLIP, conduit securing<br>Attaching parts for EA1.81.102:                    | 1          | DTD390      | 45/40     |
| A25/1C          | . . Bolt, 2BA hex. head  | 2          | -           | 45/38     |
| A27/CP          | . . Nut, 2BA plain   | 2          | -           | 45/44     |
| SP47/C          | . . Washer, 2BA spring   | 2          | -           | 45/43     |
| EA1.81.110      | . . CLIP, conduit securing<br>Attaching parts for EA1.81.110:                    | 5          | DTD390      | 45/27     |
| A25/2C          | . . Bolt, 2BA hex. head  | 1          | -           | 45/26     |
| A27/CP          | . . Nut, 2BA plain   | 1          | -           | 45/20     |
| SP47/C          | . . Washer, 2BA spring   | 1          | -           | 45/24     |
| EA1.81.17/A     | . . CONDUIT, 1 1/2" o/d x 82" long   | 1          | T9          | 45/19     |
| -               | . ELECTRICAL EQUIPMENT, INNER WING, REAR,<br>ASSEMBLY (EA1.81.25)<br>Spares for: | -          | -           | 45/10     |
| EG7.81.399      | . . BOX, JUNCTION, No.9, GROUP (Pre SAS4745)                                     | 1          | -           | 45/15     |
| EG7.81.3777     | . . BOX, JUNCTION, No.9 (SAS4745)<br>Consisting of:                              | 1          | -           |           |
| 703-1-00249     | . . . BLOCK, terminal, 20-way  | 1          | -           | 45/29     |
| EA1.81.589      | . . . BOX, junction, 20-way  | 1          | -           | 45/25     |
| 508-4-11290-004 | . . . GASKET, plug   | 1          | -           | 45/30     |
| Z22634          | . . . GROMMET, dummy (Pre SAS4745)   | 3          | -           | 45/18     |
| Z22634          | . . . GROMMET, dummy (SAS4745)   | 1          | -           |           |
| EA1.81.598/C    | . . . LID, assembly  | 1          | -           | 45/41     |
| Z50210          | . . . LINK, commoning, 2-way (Pre SAS4745)                                       | 1          | -           | 45/31     |
| Z50210          | . . . LINK, commoning, 2-way (SAS4745)   | 2          | -           |           |
| Z50219          | . . . LINK, connecting transverse  | 1          | -           | 45/32     |
| A27/AP          | . . . NUT, 6BA plain   | 4          | -           | 45/9      |
| A43/B28         | . . . SCREW, 4BA cheese head   | 2          | -           | 45/34     |
| A32/A12         | . . . SCREW, 6BA round head  | 4          | -           | 45/12     |
| EEAS146/C       | . . . SLEEVE, 3/8" long (Pre SAS4745)  | 15         | -           | 45/37     |
| EEAS146/6/3/8   | . . . SLEEVE, 3/8" long, yellow (SAS4745)  | 16         | -           |           |
| AGS2035/8       | . . . WASHER, 4BA shakeproof   | 2          | -           | 45/33     |
| SP47/A          | . . . WASHER, 6BA spring   | 4          | -           | 45/11     |
| 6A/4332834      | . . COMPENSATOR, cold junction, type 'B'<br>Attaching parts for 6A/4332834:      | 1          | -           | 45/13     |
| A25/2A          | . . Bolt, 6BA hex. head  | 4          | -           | 45/14     |
| EA3.81.1473     | . . FAIRLEAD<br>Attaching parts for EA3.81.1473:                                 | 2          | LFS21       | 45/45     |
| A25/9B          | . . Bolt, 4BA hex. head  | 3          | -           | 45/39     |
| AGS2001/B/1     | . . Nut, stiff, 4BA  | 3          | -           | 45/21     |
| A27/BT          | . . Nut, 4BA thin  | 3          | -           | 45/22     |
| SP15/B          | . . Washer, 4BA plain  | 3          | -           | 45/28     |

## ELECTRICAL

## ELECTRICAL EQUIPMENT IN PORT WING

| Part Number   | Description  | No. Off | Matl. Spec.      | Plate No. |
|---------------|--|---------|------------------|-----------|
|               |  |         |                  |           |
| EEAS132/7     | . . STRAP, cable, c/w buckle, 7" long                                | 1       | Webbing<br>Comm. | 45/23     |
| EEAS132/9     | . . STRAP, cable, c/w buckle, 9" long                                | 3       | Webbing<br>Comm. | 45/7      |
| AS1248/3B     | Attaching parts for EEAS132/7 and EEAS132/9:                         |         |                  |           |
| AGS2001/B/1   | . . Bolt, 4BA mushroom head  | 1       | -                | 45/8      |
| EEAS28/18ER   | . . Nut, stiff, 4BA  | 1       | -                | 45/1      |
|               | . . Washer, special  | 1       | L72              | 45/4      |
| -             | . ELECTRICAL EQUIPMENT IN ENGINE BAY, ASSEMBLY<br>(EA3.81.2435)      | -       | -                | 46/23     |
|               | Spares for:  |         |                  |           |
| EA1.81.123/2  | . . BOX, JUNCTION, No.11, GROUP                                      | 1       | -                | 46/31     |
|               | Spares for:  |         |                  |           |
| EA1.81.117    | . . . BOX, junction, complete  | 1       | -                | 46/33     |
| UNINYVIN 20   | . . . CABLE, uninyvin 20   | QR      | -                |           |
| UNIPREN 12    | . . . CABLE, unipren 12  | QR      | -                |           |
| UNINYVIN 12   | . . . CABLE, uninyvin 12   | QR      | -                |           |
| EA1.81.119    | . . . COVER, junction box  | 1       | -                | 46/26     |
|               | Spares for:  |         |                  |           |
| -             | . . . . GASKET, synthetic cork (Mod.4723)<br>(Make from 32B/9103610) | 1       | BS4332           | 46/47     |
| 508/1/06423   | . . . PLUG, 6-way, size 'B'  | 1       | -                | 46/34     |
| 508/1/06422   | . . . PLUG, 9-way, size 'B'  | 3       | -                | 46/25     |
| 508/1/06428   | . . . PLUG, 12-way, size 'C'   | 1       | -                | 46/29     |
| 508/1/06429   | . . . PLUG, 14-way, size 'C'   | 1       | -                | 46/28     |
| 5K/           | . . . SLEEVE, 3/4" long  | 28      | -                |           |
| Z49428        | . . . SLEEVE, cable  | 34      | -                |           |
| Z56545        | . . . TAG, closed end  | 7       | -                |           |
| Z56547        | . . . TAG, closed end  | 1       | -                |           |
| EEAS142       | . . . TERMINAL, earth  | 1       | -                |           |
| Z19980        | . . . THIMBLE, quick release   | 7       | -                |           |
| Z19981        | . . . THIMBLE, quick release   | 1       | -                |           |
| -             | . ELECTRICAL EQUIPMENT, LEADING EDGE, ASSEMBLY<br>(EA3.81.2647)      | -       | -                | 46/16     |
|               | Spares for:  |         |                  |           |
| EA9.81.10865  | . . BOLT, special, earth point at rib E (SAS4745)                    | 1       | -                |           |
|               | Attaching parts for EA9.81.10865:                                    |         |                  |           |
| A103/GT       | . . Nut, 5/16" UNF   | 2       | -                |           |
| AGS3413/G     | . . Nut, wing, 5/16" UNF   | 1       | -                |           |
| SP90/C5       | . . Pin, split   | 1       | -                |           |
| EEAS28/31/ERH | . . Washer   | 1       | -                |           |
| SP126/G       | . . Washer   | 1       | -                |           |
| SP55/G        | . . Washer, spring   | 1       | -                |           |
| EG7.81.2121   | . . BOX, JUNCTION, No.7, GROUP (MOD.4797)                            | 1       | -                | 46/41     |
|               | Consisting of:   |         |                  |           |
| EA1.81.583    | . . . BOX, junction, 40-way  | 1       | -                | 46/43     |
| UNINYVIN 12   | . . . CABLE, uninyvin 12   | QR      | -                |           |
| UNINYVIN 16   | . . . CABLE, uninyvin 16   | QR      | -                |           |
| UNINYVIN 20   | . . . CABLE, uninyvin 20   | QR      | -                |           |
| EA1.81.597/D  | . . . COVER, assembly  | 1       | -                | 46/39     |
| Z22634        | . . . GROMMET, dummy (Pre Mod.4797)                                  | 4       | -                | 46/36     |

## ELECTRICAL

## ELECTRICAL EQUIPMENT IN PORT WING

| Part Number             | Description   | No. Off | Mati. Spec. | Plate No. |
|-------------------------|---|---------|-------------|-----------|
|                         |   |         |             |           |
| Z50212                  | . . . LINK, connecting, 4-way                       | 1       | -           | 46/44     |
| Z50213                  | . . . LINK, connecting, 5-way                       | 1       | -           | 46/45     |
| Z27323                  | . . . PIN, plug                                     | 17      | -           | 46/38     |
| 508/1/06405             | . . . PLUG, 12-way, size 'C'                        | 1       | -           | 46/30     |
| 508/1/06406             | . . . PLUG, 14-way, size 'C'                        | 1       | -           | 46/35     |
| 508/1/06413             | . . . PLUG, 26-way, size 'D'                        | 2       | -           | 46/37     |
| Z49428                  | . . . SLEEVE, packing                               | QR      | -           |           |
| M.A.M.                  | . . . SLEEVE, 3 mm i/d x 3/8" long, pink            | QR      | Grade CXH   |           |
| EEAS146/20              | . . . SLEEVE, 3/4" long                             | QR      | -           |           |
| HC490                   | . . . TAG, quick release                            | 9       | -           |           |
| HC500                   | . . . TAG, quick release                            | 7       | -           |           |
| 703-2-00315-020         | . . . TAG, quick release                            | 41      | -           |           |
| Z19925                  | . . . TAG, quick release                            | 5       | -           |           |
| Z19926                  | . . . TAG, quick release                            | 2       | -           |           |
| Z19980                  | . . . THIMBLE, quick release                        | 5       | -           |           |
| Z19981                  | . . . THIMBLE, quick release                        | 2       | -           |           |
| EA3.81.559              | . . . BRACKET, mounting, air thermo                 | 1       | -           | 46/14     |
| SANGAMO WESTON<br>S110G | . . . BULB, thermo 2 1/4" long, c/w cable 8 ft long | 1       | -           | 46/15     |
| EA1.81.981              | . . . FAIRLEAD                                      | 1       | -           | 46/7      |
|                         | Attaching parts for EA1.81.981:                     |         |             |           |
| A25/2C                  | . . . Bolt, 2BA hex. head                           | 6       | -           | 46/3      |
| SP15/C                  | . . . Washer, 2BA plain                             | 6       | -           | 46/5      |
| EA1.81.989              | . . . FAIRLEAD                                      | 1       | -           | 46/18     |
|                         | Attaching parts for EA1.81.989:                     |         |             |           |
| A25/1B                  | . . . Bolt, 4BA hex. head                           | 6       | -           | 46/17     |
| A27/8P                  | . . . Nut, 4BA plain                                | 6       | -           | 46/20     |
| SP47/B                  | . . . Washer, 4BA spring                            | 6       | -           | 46/19     |
| EA1.81.991              | . . . FAIRLEAD                                      | 1       | -           | 46/6      |
|                         | Attaching parts for EA1.81.991:                     |         |             |           |
| A25/2C                  | . . . Bolt, 2BA hex. head                           | 6       | -           | 46/1      |
| A27/CT                  | . . . Nut, 2BA thin                                 | 6       | -           | 46/2      |
| SP47/C                  | . . . Washer, 2BA spring                            | 6       | -           | 46/4      |
| EA3.81.2441             | . . . FAIRLEAD                                      | 2       | LFS21       | 46/9      |
|                         | Attaching parts for EA3.81.2441:                    |         |             |           |
| A25/3B                  | . . . Bolt, 4BA hex. head                           | 6       | -           | 46/12     |
| AGS2001/B/1             | . . . Nut, stiff, 4BA                               | 6       | -           | 46/10     |
| SP15/B                  | . . . Washer, 4BA plain                             | 6       | -           | 46/13     |

R

## ELECTRICAL

## ELECTRICAL EQUIPMENT IN PORT WING

| Part Number   | Description  | No. Off | Matl. Spec. | Plate No.       |   |
|---------------|--|---------|-------------|-----------------|---|
|               |  |         |             |                 | 1 |
| R NB25/2 or.  | . . . IGNITION, H.E. unit  | 2       | -           | 46/21           |   |
| R NB25/3 or   | . . . IGNITION, H.E. unit  | 2       | -           |                 |   |
| R C10 TS/3    | . . . IGNITION, H.E. unit  | 2       | -           |                 |   |
|               | Attaching parts for ignition units: -                                |         |             |                 |   |
| R A25/13E     | . . . Bolt, 1/4" BSF   | 3       | -           | 46/22<br>46/22A |   |
| R SP15E       | . . . Washer, 1/2"   | 3       | -           |                 |   |
| EA9.81.10867  | . . . LABEL, "EARTH POINT", rib E (SAS4745)                          |         |             |                 |   |
| EG9.81.1727   | . . . SCREW, special, at earth point EP, wing to fuselage (SAS4745)  | 1       | -           |                 |   |
|               | Attaching parts for EG9.81.1727:                                     |         |             |                 |   |
| AN316C/6      | . . . Nut, 3/8" UNF  | 2       | -           |                 |   |
| AS8623/J      | . . . Nut, stiff, 3/8" UNF   | 1       | -           |                 |   |
| AN960C/616L   | . . . Washer, 3/8" UNF   | 4       | -           |                 |   |
| A43/C40       | . . . SCREW, earth point E7 (SAS4745)                                | 1       | -           |                 |   |
|               | Attaching parts for A43/C40:   |         |             |                 |   |
| A54/C         | . . . Nut, 2BA   | 2       | -           |                 |   |
| AGS2001/C/4   | . . . Nut, stiff, 2BA  | 1       | -           |                 |   |
| SP124/D       | . . . Washer, 10 UNF   | 2       | -           |                 |   |
| SP25/C        | . . . Washer, 2BA  | 2       | -           |                 |   |
| EA3.81.6239   | . . . STUD, earth point E11 (SAS4745)                                | 1       | -           |                 |   |
|               | Attaching parts for EA3.81.6239:                                     |         |             |                 |   |
| AGS2002/C/4   | . . . Nut, stiff, 2BA  | 2       | -           |                 |   |
| A54/C         | . . . Nut, 2BA   | 2       | -           |                 |   |
| SP25/C        | . . . Washer, 2BA  | 4       | -           |                 |   |
| SP124/D       | . . . Washer, 10 UNF   | 2       | -           |                 |   |
| EL26788       | . . . SUPPRESSOR, type X, No. 3                                      | 1       | -           | 46/24           |   |
| -             | . . . LOOMS, CABLE, ASSEMBLY (EA3.81.31)<br>Spares for:              | -       | -           |                 |   |
| EA3.81.6799   | . . . CABLE, ASSEMBLY (Alt.R60/55) (Mod.5101)<br>Spares for EA1.501: |         |             |                 |   |
| CZ54316/1     | . . . . CABLE, assembly  | 1       | -           |                 |   |
| EA1.81.409    | . . . . THIMBLE, cable, 5/8" dia.<br>Spares for EA3.81.6799:         | 2       | Brass       |                 |   |
| Z2270/2       | . . . . FERRULE  | 2       | -           |                 |   |
| AGS1744       | . . . . LUG  | 2       | -           |                 |   |
| Z1378         | . . . . NUT, coupling  | 2       | -           |                 |   |
| AGS1691/BB    | . . . . TAG  | 2       | -           |                 |   |
| EB7.81.1465   | . . . . THIMBLE  | 2       | -           |                 |   |
| EB6.81.527 or | . . . CABLE, ASSEMBLY, E7, FROM EARTH CONNECTION                     | 1       | -           |                 |   |
| EA3.81.6199   | TO JB.7, GROUP<br>Consisting of:                                     |         |             |                 |   |
| UNINYVIN 12   | . . . . CABLE, uninyvin 12   | QR      | -           |                 |   |
| HV3112        | . . . . GROMMET  | 1       | -           |                 |   |
| 12108         | . . . . LUG, crimping, Mk.8A   | 2       | -           |                 |   |
| EEAS146/C     | . . . . SLEEVE, 3/4" long  | 4       | -           |                 |   |
| EEAS146/D     | . . . . SLEEVE, 1" long  | 1       | -           |                 |   |
| NY18067       | . . . . STRAP, cable   | QR      | -           |                 |   |
| NT3255        | . . . . STUD   | 6       | -           |                 |   |
| Z19926        | . . . . TAG, quick release   | 2       | -           |                 |   |
| Z19981        | . . . . THIMBLE, quick release                                       | 2       | -           |                 |   |

## ELECTRICAL

## ELECTRICAL EQUIPMENT IN PORT WING

| Part Number                       | Description<br>1 2 3 4 5 6  | No.<br>Off | Mtl. Spec.           | Plate No. |
|-----------------------------------|---|------------|----------------------|-----------|
|                                   |   |            |                      |           |
|                                   | . . . CABLE, ASSEMBLY, E9, EARTH CONNECTION FOR<br>J.B.9, GROUP<br>Consisting of:                                 | 1          | -                    |           |
| R EB6.81.531 or<br>EA3.81.6203    |   |            |                      |           |
|                                   | . . . CABLE, uninyvin 12  | QR         | -                    |           |
| R UNINYVIN 12                     |   |            |                      |           |
| HV3112                            | . . . GROMMET   | 1          | -                    |           |
| 12108                             | . . . LUG, crimping, Mk.8A  | 2          | -                    |           |
| EEAS146/C                         | . . . SLEEVE, 3/4" long   | 4          | -                    |           |
| EEAS146/E                         | . . . SLEEVE, 1" long   | 1          | -                    |           |
| NY18067                           | . . . STRAP, cable  | QR         | -                    |           |
| NT3255                            | . . . STUD  | 6          | -                    |           |
| Z19926                            | . . . TAG, quick release  | 2          | -                    |           |
| Z19981                            | . . . THIMBLE, quick release  | 2          | -                    |           |
| EA1.81.819/1<br>or<br>EA1.81.1211 | . . . CABLE, ASSEMBLY, 7A1, FROM TERMINAL BOARD<br>TO UNDERCARRIAGE "UP" MICRO-SWITCH,<br>GROUP<br>Consisting of: | 1          | -                    |           |
| R Duprensheathround 6             | . . . CABLE, DUPRENSHEATHROUND 6  | QR         | -                    |           |
| 12467                             | . . . LUG, cable  | 2          | -                    |           |
| EEAS146/A                         | . . . SLEEVE, 3/4" long   | 4          | -                    |           |
| EEAS146/D                         | . . . SLEEVE, 3/4" long   | 2          | -                    |           |
| HC296                             | . . . TAG, ring tongue  | 1          | -                    |           |
| EA3.81.873/2                      | . . . CABLE, ASSEMBLY, 7C, FROM J.B.7 TO AIR VALVE<br>ACTUATOR, GROUP<br>Consisting of:                           | 1          | -                    |           |
| R UNINYVIN 20                     | . . . CABLE, uninyvin 20  | QR         | -                    |           |
| 33H/2202125                       | . . . CEMENT, Bostik  | QR         | -                    |           |
| Z14485-2                          | . . . FERRULE, cut  | 1          | -                    |           |
| Z22431                            | . . . GROMMET, No.3   | 1          | -                    |           |
| Z49428                            | . . . SLEEVE, cable   | 3          | -                    |           |
| ↑                                 | . . . SLEEVE, 3/4" long   | 8          | -                    |           |
| 2CZ84873 or<br>508/1/03987        | . . . SOCKET, 4 pin, size 'A'   | 1          | -                    |           |
| 5X/9450396                        | . . . TAG, quick release  | 3          | -                    |           |
| 32B/1250522                       | . . . THREAD, waxed line, No.18   | QR         | -                    |           |
| EA1.81.875/1 or<br>EA3.81.6207    | . . . CABLE, ASSEMBLY, E11, EARTH CONNECTION FOR<br>J.B.11, GROUP<br>Consisting of:                               | 1          | -                    |           |
| R UNINYVIN 12                     | . . . CABLE, uninyvin 12  | QR         | -                    |           |
| 12108                             | . . . LUG   | 2          | -                    |           |
| EEAS146/C                         | . . . SLEEVE, 3/4" long   | 2          | -                    |           |
| EA1.81.876/1                      | . . . CABLE, ASSEMBLY, 7A, FROM J.B.7 TO<br>UNDERCARRIAGE WIRING TERMINAL BOARD,<br>GROUP<br>Consisting of:       | 1          | -                    |           |
| R UNINYVIN 20                     | . . . CABLE, uninyvin 20  | QR         | -                    |           |
| Z22431                            | . . . GROMMET, No.3   | 2          | -                    |           |
| 5K/4346887                        | . . . SLEEVE, No.1 x 3/4"   | 8          | -                    |           |
| 5K/6287170                        | . . . SLEEVE, No.3 x 1"   | 2          | -                    |           |
| 5X/9450396                        | . . . TAG, quick release  | 4          | -                    |           |
| EA3.81.877/1                      | . . . CABLE, ASSEMBLY, 9D, FROM J.B.9 TO LANDING<br>LAMP, GROUP<br>Consisting of:                                 | 1          | -                    |           |
| R UNINYVIN 20                     | . . . CABLE, uninyvin 20  | QR         | -                    |           |
| R UNIPREN 12                      | . . . CABLE, unipren 12   | QR         | -                    |           |
| Z6FZ/4588                         | . . . CHANNEL, rubber, 0.5" long  | 1          | E & I, 652<br>Sect.1 |           |
| Z22431                            | . . . GROMMET, No.3   | 1          | -                    |           |
| E19711/1                          | . . . PIN, socket   | 5          | -                    |           |
| EEAS146/A                         | . . . SLEEVE, 3/4" long   | 10         | -                    |           |
| EEAS146/D                         | . . . SLEEVE, 3/4" long   | 2          | -                    |           |
| EEAS146/D                         | . . . SLEEVE, 1 1/2" long   | 1          | -                    |           |

## ELECTRICAL

## ELECTRICAL EQUIPMENT IN PORT WING

| Part Number    | Description   | No. Off | Matl. Spec. | Plate No. |
|----------------|---|---------|-------------|-----------|
|                |   |         |             |           |
| 5X/4491262     | . . . SOCKET, type 'M'  | 1       | -           |           |
| 5X/9450396     | . . . TAG, quick release  | 3       | -           |           |
| Z19925         | . . . TAG, quick release  | 2       | -           |           |
| Z19980         | . . . THIMBLE, quick release  | 2       | -           |           |
| 32B/1250522    | . . . THREAD, waxed linen, No.18  | QR      | -           |           |
| EA1.81.881/1   | . . . CABLE, ASSEMBLY, 7A4, FROM UNDERCARRIAGE<br>TERMINAL BOARD TO PORT WHEEL DOOR<br>MICRO-SWITCH, GROUP<br>Consisting of:      | 1       | -           |           |
| R DUPREN 6     | . . . CABLE, dupren 6   | QR      | -           |           |
| 5K/            | . . . SLEEVE, 3/4" long   | 4       | -           |           |
| EA3.81.895/1   | . . . CABLE, ASSEMBLY, 9B3, FROM NAVIGATION LIGHT<br>CONTACT BOARD TO NAVIGATION LIGHT<br>TERMINAL BOARD, GROUP<br>Consisting of: | 1       | -           |           |
| R DUPREN 6     | . . . CABLE, dupren 6   | QR      | -           |           |
| 5K/            | . . . SLEEVE, 3/4" long   | 4       | -           |           |
| 5K/            | . . . SLEEVE, 1" long   | 2       | -           |           |
| ROSS COURTNEY  | . . . TAG, type '00'  | 2       | -           |           |
| EB7.81.1295    | . . . CABLE, ASSEMBLY, 7A2, FROM TERMINAL BOARD<br>TO UNDERCARRIAGE 'DOWN' MICRO-<br>SWITCH, GROUP<br>Consisting of:              | 1       | -           |           |
| EA1.81.1213    |   |         |             |           |
| R UNINYVINAL 6 | . . . CABLE, uninyvinal 6   | QR      | -           |           |
| 12467          | . . . LUG   | 2       | -           |           |
| EEAS146/AX3/4" | . . . SLEEVE  | 2       | -           |           |
| EEAS146/DX3/4" | . . . SLEEVE  | 2       | -           |           |
| HC290          | . . . TAG, ring tongue  | 1       | -           |           |
| EB7.81.1325    | . . . CABLE, ASSEMBLY, 7A3, FROM TERMINAL BOARD<br>TO UNDERCARRIAGE 'DOWN' MICRO-<br>SWITCH, GROUP<br>Consisting of:              | 1       | -           |           |
| EA1.81.1215    |   |         |             |           |
| R UNINYVINAL 6 | . . . CABLE, uninyvinal 6   | QR      | -           |           |
| 12467          | . . . LUG   | 2       | -           |           |
| EEAS146/AX3/4" | . . . SLEEVE  | 2       | -           |           |
| EEAS146/DX3/4" | . . . SLEEVE  | 2       | -           |           |
| HC296          | . . . TAG, ring tongue  | 2       | -           |           |
| EA3.81.1469    | . . . CABLE, ASSEMBLY, 9F, FROM J.B.9 TO COLD<br>JUNCTION COMPENSATOR, GROUP<br>Consisting of:                                    | 1       | -           |           |
| R UNINYVIN 12  | . . . CABLE, uninyvin 12  | QR      | -           |           |

## ELECTRICAL EQUIPMENT IN PORT WING

| Part Number                        | Description  | No. Off | Matl. Spec. | Plate No. |
|------------------------------------|--|---------|-------------|-----------|
|                                    |  |         |             |           |
| Z22432                             | . . . GROMMET, No.4  | 1       | -           |           |
| EEAS146/C                          | . . . SLEEVE, 3/4" long  | 8       | -           |           |
| EEAS146/E                          | . . . SLEEVE, 3/4" long  | 2       | -           |           |
| Z19926                             | . . . TAG, quick release   | 4       | -           |           |
| Z19981                             | . . . THIMBLE, quick release   | 4       | -           |           |
| 32B/1250522                        | . . . THREAD, waxed linen, No.18   | QR      | -           |           |
| EA3.81.6717                        | . . CABLE, ASSEMBLY, 9B, FROM J.B.9 TO WING<br>TIP TERMINAL BOARD, GROUP (Mod.4936)<br>Consisting of:-   | 1       | -           |           |
| UNINYVIN 20                        | . . . CABLE, uninyvin 20   | QR      | -           |           |
| Z22432                             | . . . GROMMET, No.4  | 1       | -           |           |
| EEAS146/6                          | . . . SLEEVE, 1/2" long  | 36      | -           |           |
| EEAS146/6                          | . . . SLEEVE, 1" long  | 2       | -           |           |
| EEAS146/6                          | . . . SLEEVE, 1 1/4" long  | 1       | -           |           |
| EEAS146/20                         | . . . SLEEVE, 3/4" long  | 10      | -           |           |
| HELLERMANN<br>HC490                | . . . TAG, quick release   | 5       | -           |           |
| EA3.81.1591                        | . . CABLE, ASSEMBLY, 9B1, FROM WING TIP TERMINAL<br>BOARD TO JETTISON TANK AND<br>NAVIGATION LIGHT TERMINAL BOARD,<br>GROUP<br>Consisting of:- | 1       | -           |           |
| DUPREN 6                           | . . . CABLE, dupren 6  | QR      | -           |           |
| SL2/3                              | . . . SLEEVE, 3/4" long, yellow  | 4       | -           |           |
| SL3/3                              | . . . SLEEVE, 1" long, yellow  | 2       | -           |           |
| ROSS COURTNEY<br>EA3.81.1593       | . . . TAG, type '00'<br>. . CABLE, ASSEMBLY, 9B2, FROM TERMINAL BOARD<br>TO WING TIP TAXYING LAMP CONNECTION,<br>GROUP<br>Consisting of:-      | 2<br>1  | -<br>-      |           |
| DUPREN 6                           | . . . CABLE, dupren 6  | QR      | -           |           |
| SL2/3                              | . . . SLEEVE, 3/4" long, yellow  | 2       | -           |           |
| SL3/3                              | . . . SLEEVE, 1" long, yellow  | 2       | -           |           |
| EA3.81.2461/2<br>or<br>EA3.81.6771 | . . CABLE, ASSEMBLY, 11D, FROM J.B.11 to E.S.1<br>GENERATOR, GROUP<br>Consisting of:-  | 1       | -           |           |
| UNINYVIN 20                        | . . . CABLE, uninyvin 20   | QR      | -           |           |
| Z11394/2                           | . . . FERRULE  | 1       | -           |           |
| AGS1658/0                          | . . . NUT, gland   | 1       | -           |           |
| Z49428                             | . . . SLEEVE, packing  | 3       | -           |           |
| SL2/3                              | . . . SLEEVE, 3/4" long, yellow  | 6       | -           |           |
| SL3/3                              | . . . SLEEVE, 1" long, yellow  | 2       | -           |           |
| AGS1651/3                          | . . . SLEEVE, slotted  | 1       | -           |           |
| 508/1/03992                        | . . . SOCKET, 9 pin, size 'B'  | 12      | -           |           |
| 32B/498                            | . . . THREAD, waxed linen, No.18   | QR      | -           |           |

ELECTRICAL  
ELECTRICAL EQUIPMENT IN PORT WING

R  
R

| Part Number                        | Description   | No. Off | Matl. Spec. | Plate No. |   |
|------------------------------------|---|---------|-------------|-----------|---|
|                                    |   |         |             |           | 1 |
| EA3.81.2463/2<br>or<br>EA3.81.6773 | CABLE, ASSEMBLY, 11F, FROM J.B.11 TO OIL PRESSURE TRANSMITTER, GROUP      | 1       | -           |           |   |
|                                    | Consisting of:  |         |             |           |   |
| UNINYVIN 20                        | CABLE, uninyvin 20  | QR      | -           |           |   |
| Z11394/2                           | FERRULE   | 1       | -           |           |   |
| EA3.81.1963                        | FERRULE, cable  | 1       | -           |           |   |
| Z49428                             | SLEEVE, packing   | 6       | -           |           |   |
| SL2/3                              | SLEEVE, 3/4" long   | 6       | -           |           |   |
| SL3/3                              | SLEEVE, 1" long   | 2       | -           |           |   |
| 508/1/03987                        | SOCKET, 4 pin, size 'A'   | 1       | -           |           |   |
| 508/1/03992                        | SOCKET, 9 pin, size 'B'   | 1       | -           |           |   |
| EA3.81.3063                        | CABLE, ASSEMBLY, 7H, CONNECTION BETWEEN J.B.7 AND J.B.11, GROUP           | 1       | -           |           |   |
|                                    | Consisting of:  |         |             |           |   |
| UNIPREN 12                         | CABLE, unipren 12   | QR      | -           |           |   |
| UNIPREN 24                         | CABLE, unipren 24   | QR      | -           |           |   |
| Z18500/C                           | FERRULE, size 'C'   | 2       | -           |           |   |
| Z18501/C                           | RING, clamp   | 2       | -           |           |   |
| EEAS146/A1                         | SLEEVE, 3/4" long   | 24      | -           |           |   |
| EEAS146/C                          | SLEEVE, 3/4" long   | 4       | -           |           |   |
| EEAS146/K                          | SLEEVE, 3/4" long   | 2       | -           |           |   |
| 2CZ111659                          | SOCKET, assembly, 14-way, size 'C'  | 1       | -           |           |   |
| 2CZ111705                          | SOCKET, assembly, 14-way, size 'C'  | 1       | -           |           |   |
| 5F/4349855                         | TUBE, P.V.C.  | QR      | -           |           |   |
| EA3.81.3065                        | CABLE, ASSEMBLY, 7J, CONNECTION BETWEEN J.B.7 and J.B.11, GROUP           | 1       | -           |           |   |
|                                    | Consisting of:  |         |             |           |   |
| UNIPREN 12                         | CABLE, unipren 12   | QR      | -           |           |   |
| Z18500/C                           | FERRULE, size 'C'   | 2       | -           |           |   |
| Z18501/C                           | RING, clamp   | 2       | -           |           |   |
| EEAS146/A1                         | SLEEVE, 3/4" long   | 24      | -           |           |   |
| EEAS146/K                          | SLEEVE, 3/4" long   | 2       | -           |           |   |
| 508/1/03998                        | SOCKET, assembly, 12-way, size 'C'  | 2       | -           |           |   |
| 5F/4349855                         | TUBE, P.V.C.  | QR      | -           |           |   |
| EA3.81.3067                        | CABLE, ASSEMBLY, 7G, FROM J.B.7 TO MIXING VALVE DESYNN TRANSMITTER, GROUP | 1       | -           |           |   |
|                                    | Consisting of:  |         |             |           |   |
| UNINYVIN 20                        | CABLE, uninyvin 20  | QR      | -           |           |   |
| Z22431                             | GROMMET, No.3   | 1       | -           |           |   |
| EEAS146/A1                         | SLEEVE, 3/4" long   | 5       | -           |           |   |
| EEAS146/D                          | SLEEVE, 1" long   | 2       | -           |           |   |

## ELECTRICAL

## ELECTRICAL EQUIPMENT IN PORT WING

| Part Number   | Description   | No. Off | Mati. Spec. | Plate No. |
|---------------|---|---------|-------------|-----------|
|               |   |         |             |           |
| 5X/9450396    | . . . TAG, quick release  | 5       | -           |           |
| EA3.81.3069   | . . . CABLE, ASSEMBLY, 7K, FROM J.B.7 TO HIGH ENERGY IGNITION UNIT, GROUP | 1       | -           |           |
|               | Consisting of:  |         |             |           |
| R UNIPREN 12  | . . . CABLE, unipren 12   | QR      | -           |           |
| 33H/2202152   | . . . CEMENT, Bostik  | QR      | -           |           |
| Z14485-2      | . . . FERRULE   | 1       | -           |           |
| Z22430        | . . . GROMMET, No.2   | 1       | -           |           |
| EEAS146/A1    | . . . SLEEVE, 3/4" long   | 4       | -           |           |
| EEAS146/C     | . . . SLEEVE, 1" long   | 2       | -           |           |
| 508/1/03986   | . . . SOCKET, 2 pin   | 1       | -           |           |
| Z19925        | . . . TAG, quick release  | 2       | -           |           |
| Z19980        | . . . THIMBLE, quick release  | 2       | -           |           |
| 32B/1250522   | . . . THREAD, waxed linen, No.18  | QR      | -           |           |
| 5F/9143294    | . . . TUBING, P.V.C.  | QR      | -           |           |
| EA3.81.6441   | . . . CABLE, ASSEMBLY, 11M1, CONNECTION BETWEEN FIRE DETECTORS, GROUP     | 1       | -           |           |
| or            |   |         |             |           |
| EA3.81.6741   |   |         |             |           |
|               | Consisting of:  |         |             |           |
| R UNINYVIN 20 | . . . CABLE, uninyvin 20  | QR      | -           |           |
| EB6.81.6149   | . . . CABLE-END, fitting (Make from 5K/4377)                              | 4       | -           |           |
| JONES STROUD  | . . . CORD, glass, tying, 1/32"   | QR      | -           |           |
| AGS1658/1     | . . . NUT, gland  | 2       | -           |           |
| AGS1652/1     | . . . SLEEVE, slotted   | 2       | -           |           |
| EEAS146/16    | . . . SLEEVE, 3/4" long   | QR      | -           |           |
| EEAS146/6     | . . . SLEEVE, 1" long   | QR      | -           |           |
| EA3.81.6443   | . . . CABLE, ASSEMBLY, 11M2, CONNECTION BETWEEN FIRE DETECTORS, GROUP     | 1       | -           |           |
| or            |   |         |             |           |
| EA3.81.6743   |   |         |             |           |
|               | Consisting of:  |         |             |           |
| R UNINYVIN 20 | . . . CABLE, uninyvin 20  | QR      | -           |           |
| EB6.81.6149   | . . . CABLE-END, fitting (Make from 5K/4377)                              | 4       | -           |           |
| JONES STROUD  | . . . CORD, glass, tying, 1/32"   | QR      | -           |           |
| AGS1658/1     | . . . NUT, gland  | 2       | -           |           |
| AGS1652/1     | . . . SLEEVE, slotted   | 2       | -           |           |
| EEAS146/16    | . . . SLEEVE, 3/4" long   | QR      | -           |           |
| EEAS146/6     | . . . SLEEVE, 1" long   | QR      | -           |           |
| EA3.81.6445   | . . . CABLE, ASSEMBLY, 11R1, CONNECTION BETWEEN FIRE DETECTORS, GROUP     | 1       | -           |           |
| or            |   |         |             |           |
| EA3.81.6745   |   |         |             |           |
|               | Consisting of:  |         |             |           |
| R UNINYVIN 20 | . . . CABLE, uninyvin 20  | QR      | -           |           |

## ELECTRICAL

## ELECTRICAL EQUIPMENT IN PORT WING

| Part Number                   | Description   | No. Off | Mati. Spec. | Plate No. |
|-------------------------------|---|---------|-------------|-----------|
|                               |   |         |             |           |
| EB6.81.6149                   | . . . . CABLE-END, fitting (Make from 5K/4377)  | 4       | -           |           |
| JONES STROUD                  | . . . . CORD, glass, tying, 1/32"   | QR      | -           |           |
| AGS1658/1                     | . . . . NUT, gland  | 2       | -           |           |
| AGS1652/1                     | . . . . SLEEVE, slotted   | 2       | -           |           |
| EEAS146/16                    | . . . . SLEEVE, 3/4" long   | QR      | -           |           |
| EEAS146/6                     | . . . . SLEEVE, 1" long   | QR      | -           |           |
| EA3.81.6447 or<br>EA3.81.6747 | . . . . CABLE, ASSEMBLY, 11R2, CONNECTION, BETWEEN<br>FIRE DETECTORS, GROUP<br>Consisting of:   | 1       | -           |           |
| R UNINYVIN 20                 | . . . . CABLE, uninyvin 20  | QR      | -           |           |
| EB6.81.6149                   | . . . . CABLE-END, fitting (Make from 5K/4377)  | 4       | -           |           |
| JONES STROUD                  | . . . . CORD, glass, tying, 1/32"   | QR      | -           |           |
| AGS1658/1                     | . . . . NUT, gland  | 2       | -           |           |
| AGS1652/1                     | . . . . SLEEVE, slotted   | 2       | -           |           |
| EEAS146/16                    | . . . . SLEEVE, 3/4" long   | QR      | -           |           |
| EEAS146/6                     | . . . . SLEEVE, 1" long   | QR      | -           |           |
| EA3.81.6449 or<br>EA3.81.6749 | . . . . CABLE, ASSEMBLY, 11R3, CONNECTION, BETWEEN<br>FIRE DETECTORS, GROUP<br>Consisting of:   | 1       | -           |           |
| R UNINYVIN 20                 | . . . . CABLE, uninyvin 20  | QR      | -           |           |
| EB6.81.6149                   | . . . . CABLE-END, fitting (Make from 5K/4377)  | 4       | -           |           |
| JONES STROUD                  | . . . . CORD, glass, tying, 1/32"   | QR      | -           |           |
| AGS1658/1                     | . . . . NUT, gland  | 2       | -           |           |
| AGS1652/1                     | . . . . SLEEVE, slotted   | 2       | -           |           |
| EEAS146/16                    | . . . . SLEEVE, 3/4" long   | QR      | -           |           |
| EEAS146/6                     | . . . . SLEEVE, 1" long   | QR      | -           |           |
| EA3.81.6451 or<br>EA3.81.6751 | . . . . CABLE, ASSEMBLY, 11A, 11B, 11K AND 11M, FROM<br>J.B.11 TO FUEL PUMP SOLENOID FIRE<br>DETECTORS AND ENGINE STARTER RELAY,<br>GROUP<br>Consisting of: | 1       | -           |           |
| R UNINYVIN 20                 | . . . . CABLE, uninyvin 20  | QR      | -           |           |
| R UNIPREN 12                  | . . . . CABLE, unipren 12   | QR      | -           |           |
| EB6.81.6149                   | . . . . CABLE-END, fitting (Make from 5K/4377)  | 2       | -           |           |
| JONES STROUD                  | . . . . CORD, glass, tying, 1/32"   | QR      | -           |           |
| 508/2/07879/006               | . . . . FERRULE, cut  | 1       | -           |           |
| 508/2/07871/009               | . . . . FERRULE, cut  | 2       | -           |           |
| AGS1658/1                     | . . . . NUT, gland  | 2       | -           |           |
| AGS1652/1                     | . . . . SLEEVE, slotted   | 2       | -           |           |
| Z49397                        | . . . . SLEEVE, cable   | 1       | -           |           |
| Z49428                        | . . . . SLEEVE, cable   | 8       | -           |           |

ELECTRICAL  
ELECTRICAL EQUIPMENT IN PORT WING

| Part Number                       | Description  | No. Off | Matl. Spec. | Plate No. |
|-----------------------------------|--|---------|-------------|-----------|
|                                   |  |         |             |           |
| EEAS146-16                        | . . . . SLEEVE, 3/4" long  | QR      | -           |           |
| EEAS146-6                         | . . . . SLEEVE, 1" long  | QR      | -           |           |
| 508-1-03986                       | . . . . SOCKET, 2 pin, size 'A'  | 1       | -           |           |
| 508-1-03992                       | . . . . SOCKET, 9 pin, size 'B'  | 1       | -           |           |
| 2CX108943                         | . . . . SOCKET, 1 pin, size 'A'  | 1       | -           |           |
| HC294D                            | . . . . TAG, ring tongue   | 2       | -           |           |
| EA3.81.6453<br>or<br>EA3.81. 6753 | . . . . CABLE, ASSEMBLY, 11R, FROM JB11 TO FIRE<br>DETECTORS, GROUP                                | 1       | -           |           |
| R UNINYVIN 20                     | . . . . Consisting of:-<br>CABLE, uninyvin 20  | QR      | -           |           |
| EB6.81.6149                       | . . . . CABLE-END, fitting (Make from 5K4377)  | 2       | -           |           |
| 5F9433683                         | . . . . CORD, glass, tying, 1/32"  | QR      | -           |           |
| 508-2-07878-009                   | . . . . FERRULE, cut   | 1       | -           |           |
| AGS1658-1                         | . . . . NUT, gland   | 1       | -           |           |
| AGS1652-1                         | . . . . SLEEVE, slotted  | 1       | -           |           |
| Z49428                            | . . . . SLEEVE, cable  | 2       | -           |           |
| EEAS146-16                        | . . . . SLEEVE, 3/4" long  | QR      | -           |           |
| EEAS146-6                         | . . . . SLEEVE, 1" long  | QR      | -           |           |
| 508-1-03991                       | . . . . SOCKET, 6-way, size 'B'  | 1       | -           |           |
| EA3.04.11989                      | . . . . CABLE, ASSEMBLY, 7L, FROM JB7 TO HIGH<br>ENERGY IGNITION UNIT, GROUP                       | 1       | -           |           |
| R UNIPREN 12                      | . . . . Consisting of:-<br>CABLE, Unipren 12   | QR      | -           |           |
| Z14485-2                          | . . . . FERRULE, cut   | 1       | -           |           |
| Z22431                            | . . . . GROMMET, No. 3   | 1       | -           |           |
| EEAS146A1                         | . . . . SLEEVE, 3/4" long  | 2       | -           |           |
| EEAS146C                          | . . . . SLEEVE, 3/4" long  | 1       | -           |           |
| Z49428                            | . . . . SLEEVE, cable  | 2       | -           |           |
| 508-1-03986                       | . . . . SOCKET, 2 pin, size 'A'  | 1       | -           |           |
| Z19925                            | . . . . TAG, quick release   | 2       | -           |           |
| Z19980                            | . . . . THIMBLE, quick release   | 2       | -           |           |
| R 5F9143294                       | . . . . TUBING, PVC  | QR      | -           |           |
| EA3.04.11189                      | . . . . LEAD, HT ignition  | 1       | -           |           |
| EA3.04.11191                      | . . . . LEAD, HT ignition  | 1       | -           |           |
| -                                 | . . . . LOOMS, CABLE, ASSEMBLY (EG7.81.1611)<br>Spares for:-                                       | -       | -           |           |
| EG7.81.521                        | . . . . CABLE, ASSEMBLY, P462, FROM PORT AIR<br>SHUT-OFF ACTUATOR TO PORT<br>ALTERNATOR T/B, GROUP | 1       | -           |           |
| R UNINYVIN 20                     | . . . . Consisting of:-<br>CABLE, uninyvin 20  | QR      | -           |           |

ELECTRICAL

ELECTRICAL EQUIPMENT IN PORT WING

| Part Number             | 1 2 3 4 5 6 | Description  | No. Off | Matl. Spec. | Plate No. |
|-------------------------|-------------|--|---------|-------------|-----------|
|                         |             |  |         |             |           |
| EEAS294/1               | . . . .     | CLAMP, cable   | 1       | -           |           |
| ZZ139098/Z              | . . . .     | GASKET, ferrule  | 1       | -           |           |
| 508/2/07719/300         | . . . .     | GASKET, union  | 1       | -           |           |
| EEAS276/Z               | . . . .     | OUTLET, adaptor  | 1       | -           |           |
| 508/2/07708/300         | . . . .     | RING, sealing  | 1       | -           |           |
| 508/2/07752/007         | . . . .     | RING, thrust   | 1       | -           |           |
| Z49428                  | . . . .     | SLEEVE, cable  | 5       | -           |           |
| EEAS146/20              | . . . .     | SLEEVE, 3/4" long  | QR      | -           |           |
| EEAS146/2               | . . . .     | SLEEVE, 1" long  | QR      | -           |           |
| EEAS146/2               | . . . .     | SLEEVE, 1-1/2" long  | QR      | -           |           |
| 508/1/03989             | . . . .     | SOCKET   | 1       | -           |           |
| HC294                   | . . . .     | TAG, ring tongue   | 5       | -           |           |
| EG7.81.525              | . . . .     | CABLE, ASSEMBLY, P450, FROM WING ROOT<br>BREAK TO WING TIP BREAK, GROUP<br>Consisting of:— | 1       | -           |           |
| R UNTERSIL 12           | . . . .     | CABLE, untersil 12   | QR      | -           |           |
| R UNTERSIL 20           | . . . .     | CABLE, untersil 20   | QR      | -           |           |
| R UNTERSILMET-SHEATH 16 | . . . .     | CABLE, untersilmetsheath 16  | QR      | -           |           |
| R UNTERSILMET-SHEATH 20 | . . . .     | CABLE, untersilmetsheath 20  | QR      | -           |           |
| EEAS559/8               | . . . .     | CLIP, bonding, assembly<br>Consisting of:—   | 1       | -           |           |
| EEAS557                 | . . . .     | BUCKLE   | 1       | S511        |           |
| SP90/G5                 | . . . .     | PIN, split   | 1       | -           |           |
| EEAS558                 | . . . .     | STRIP, cable bonding   | 1       | S511        |           |
| Z22431                  | . . . .     | GROMMET, No. 3   | 1       | -           |           |
| 2CZ138846               | . . . .     | INSERT, socket 12  | 7       | -           |           |
| 508/1/04585/002         | . . . .     | INSERT, socket 16  | 7       | -           |           |
| 508/1/05602/002         | . . . .     | INSERT, socket, 16/20  | 21      | -           |           |
| EG7.81.461              | . . . .     | LANYARD, assembly  | 1       | -           |           |
| 508/1/04484             | . . . .     | OUTLET, angle, assembly  | 1       | -           |           |
| 508/2/04368             | . . . .     | PLUG, filler 12  | QR      | -           |           |
| 508/2/04367             | . . . .     | PLUG, filler 16  | QR      | -           |           |
| EEAS146/12              | . . . .     | SLEEVE, 3/4" long  | QR      | -           |           |
| EEAS146/16              | . . . .     | SLEEVE, 3/4" long  | QR      | -           |           |
| EEAS146/00              | . . . .     | SLEEVE, 1" long  | QR      | -           |           |

## ELECTRICAL

## ELECTRICAL EQUIPMENT IN PORT WING

| Part Number     | Description   | No. Off | Matl. Spec. | Plate No. |
|-----------------|---|---------|-------------|-----------|
|                 |   |         |             |           |
| EEAS146/6       | . . . SLEEVE, 1" long   | QR      | -           |           |
| EEAS146/00      | . . . SLEEVE, 1½" long  | QR      | -           |           |
| UK-AN(QR)       |   |         |             |           |
| 9000-32-7S      | . . . SOCKET, free, 35-way  | 1       | -           |           |
| HELLERMANN      |   |         |             |           |
| HC294           | . . . TERMINAL, RT  | 2       | -           |           |
| HELLERMANN      |   |         |             |           |
| HC500           | . . . TERMINAL, RT  | 1       | -           |           |
| HELLERMANN      |   |         |             |           |
| HC510           | . . . TERMINAL, RT  | 1       | -           |           |
| EG7.81.537      | . . . CABLE, ASSEMBLY, P457, FROM PORT CONTROL AND PROTECTION UNIT, PORT ALTERNATOR BAY TERMINAL BLOCK, GROUP<br>Consisting of: | 1       | -           |           |
| R UNINYVIN 20   | . . . CABLE, uninyvin 20  | QR      | -           |           |
| 508/1/05602/002 | . . . INSERT, socket  | 7       | -           |           |
| 508/2/04367     | . . . PLUG, filler  | QR      | -           |           |
| 2Z139623        | . . . SLEEVE, packing   | QR      | -           |           |
| EEAS146/20      | . . . SLEEVE, 3/4" long   | 6       | -           |           |
| EEAS146/2       | . . . SLEEVE, 1" long   | QR      | -           |           |
| EEAS146/6       | . . . SLEEVE, 1" long   | QR      | -           |           |
| EEAS146/6       | . . . SLEEVE, 1½" long  | QR      | -           |           |
| UK-AN           |   |         |             |           |
| 8000-16-1S      | . . . SOCKET, free  | 1       | -           |           |
| HC294           | . . . TAG, ring tongue  | 6       | -           |           |
| EG7.81.549      | . . . CABLE, ASSEMBLY, P467, FROM PORT CONTROL AND PROTECTION UNIT TO PORT ALTERNATOR TERMINAL BLOCK, GROUP<br>Consisting of:   |         |             |           |
| R UNINYVIN 10   | . . . CABLE, uninyvin 10  | QR      | -           |           |
| R UNINYVIN 20   | . . . CABLE, uninyvin 20  | QR      | -           |           |
| Z70014          | . . . LUG, straight   | 4       | -           |           |
| EEAS146/10      | . . . SLEEVE, 3/4" long   | 4       | -           |           |
| EEAS146/20      | . . . SLEEVE, 3/4" long   | 2       | -           |           |
| EEAS146/2       | . . . SLEEVE, 1" long   | QR      | -           |           |
| EG7.81.3549     | . . . CABLE, ASSEMBLY, 7KL, FROM J.B.7 TO FUSES 156 AND 157 (MOD.4797)<br>Consisting of:  | 1       | -           |           |
| R UNITERSIL 12  | . . . CABLE, unifersil 12   | QR      | -           |           |
| R UNITERSIL 16  | . . . CABLE, unifersil 16   | QR      | -           |           |
| Z22432          | . . . GROMMET   | 1       | -           |           |
| EEAS146/16      | . . . SLEEVE, 3/4" long   | QR      | -           |           |
| EEAS146/2       | . . . SLEEVE, 1½" long  | QR      | -           |           |
| EEAS146/2       | . . . SLEEVE, 1" long   | QR      | -           |           |
| EEAS146/6       | . . . SLEEVE, 1/4" long   | QR      | -           |           |
| EEAS146/12      | . . . SLEEVE, 3/4" long   | QR      | -           |           |
| HC314A          | . . . TAG, ring tongue  | 3       | -           |           |
| HC304           | . . . TAG, ring tongue  | 2       | -           |           |
| HC510           | . . . TAG, quick release  | 1       | -           |           |
| HC500           | . . . TAG, quick release  | 2       | -           |           |

ELECTRICAL  
ELECTRICAL EQUIPMENT IN PORT WING

| Part Number     | Description  | No. Off | Matl. Spec. | Plate No. |
|-----------------|--|---------|-------------|-----------|
|                 |  |         |             |           |
| EEAS146/2       | . . . SLEEVE, 1½" long   | 1       | —           |           |
| HC290           | . . . TAG, ring tongue   | 1       | —           |           |
| HC294           | . . . TAG, ring tongue   | 1       | —           |           |
| EG7.81.565      | . . . CABLE, ASSEMBLY, P470, FROM PORT EARTH POINT E19 TO PORT ALTERNATOR MAIN TERMINAL BLOCK, GROUP<br>Consisting of:           | 1       | —           |           |
| R UNINYVIN 12   | . . . CABLE, uninyvin 12   | QR      | —           |           |
| EEAS146/12      | . . . SLEEVE, 1" long  | 5       | —           |           |
| EEAS146/12      | . . . SLEEVE, 1½" long   | 1       | —           |           |
| HC312           | . . . TAG, ring tongue   | 1       | —           |           |
| HC4210          | . . . TAG, ring tongue   | 1       | —           |           |
| EG7.81.567      | . . . CABLE, ASSEMBLY, P471, FROM PORT ALTERNATOR BAY TERMINAL BLOCK TO PORT ALTERNATOR EARTH POINT E19, GROUP<br>Consisting of: | 1       | —           |           |
| R UNINYVIN 20   | . . . CABLE, uninyvin 20   | QR      | —           |           |
| HC1350          | . . . FERRULE  | 2       | —           |           |
| EEAS146/20      | . . . SLEEVE, 3/4" long  | 4       | —           |           |
| EEAS146/12      | . . . SLEEVE, 1" long  | QR      | —           |           |
| EEAS146/12      | . . . SLEEVE, 1½" long   | 1       | —           |           |
| HC294           | . . . TAG, ring tongue   | 2       | —           |           |
| EG7.81.1816     | . . . CABLE, ASSEMBLY, P461, FROM PORT RESET ACTUATOR TO PORT ALTERNATOR BAY T/B, GROUP<br>Consisting of:                        | 1       | —           |           |
| R UNINYVIN 20   | . . . CABLE, uninyvin 20   | QR      | —           |           |
| 508/1/07776/001 | . . . CLAMP, cable   | 1       | —           |           |
| 508/2/07705/300 | . . . GASKET, outlet   | 1       | —           |           |
| 508/2/07719/300 | . . . GASKET, union  | 1       | —           |           |
| 508/2/07639/001 | . . . OUTLET, straight   | 1       | —           |           |
| 508/2/07708/300 | . . . RING, sealing  | 1       | —           |           |
| 508/2/07752/007 | . . . RING, thrust   | 1       | —           |           |
| EEAS146/20      | . . . SLEEVE, 3/4" long  | QR      | —           |           |
| EEAS146/6       | . . . SLEEVE, 1" long  | QR      | —           |           |
| EEAS146/6       | . . . SLEEVE, 1½" long   | QR      | —           |           |

## ELECTRICAL

## ELECTRICAL EQUIPMENT IN PORT WING

| Part Number     | Description  | No. Off | Matl. Spec. | Plate No. |
|-----------------|--|---------|-------------|-----------|
|                 |  |         |             |           |
| 508/1/07003/220 | . . . SOCKET, free, Mk.7   | 1       | -           |           |
| HC294           | . . . TAG, ring tongue   | 5       | -           |           |
| EG7.81.1849     | . . . CABLE, ASSEMBLY, P472, FROM CONTROL AND PROTECTION UNIT TO TEST SOCKET, BRACKET, GROUP<br>Consisting of:         | 1       | -           |           |
| R UNTERSIL 16   | . . . CABLE, unifersil 16  | QR      | -           |           |
| R UNTERSIL 20   | . . . CABLE, unifersil 20  | QR      | -           |           |
| 508/1/04585/002 | . . . INSERT, socket, 16   | 5       | -           |           |
| 508/1/05602/002 | . . . INSERT, socket, 16/20  | 5       | -           |           |
| 508/2/03547/002 | . . . PIN, plug, 16  | 5       | -           |           |
| 508/2/05604/002 | . . . PIN, plug, 16/20   | 5       | -           |           |
| UK-AN           |  |         |             |           |
| 9000-18-1PY     | . . . PLUG, free   | 1       | -           |           |
| Z2139623        | . . . SLEEVE, packing, 16/20   | QR      | -           |           |
| EEAS146/20      | . . . SLEEVE, 1/4" long  | QR      | -           |           |
| EEAS146/00      | . . . SLEEVE, 1" long  | QR      | -           |           |
| EEAS146/00      | . . . SLEEVE, 1 1/2" long  | QR      | -           |           |
| UK-AN           |  |         |             |           |
| 8000-18-1SY     | . . . SOCKET, fixed  | 1       | -           |           |
| EG7.81.1853     | . . . CABLE, ASSEMBLY, P458, FROM PORT CONTROL AND PROTECTION UNIT TO PORT ALTERNATOR BAY T/B, GROUP<br>Consisting of: | 1       | -           |           |
| R UNINYVIN 20   | . . . CABLE, uninyvin 20   | QR      | -           |           |
| CC610/037       | . . . CLAMP, cable, special, Mk.6  | 1       | -           |           |
| 508/1/04585/002 | . . . INSERT, socket 16  | 3       | -           |           |
| 508/1/05602/002 | . . . INSERT, socket, 16/20  | 7       | -           |           |
| 508/2/04366     | . . . PLUG, filler   | 2       | -           |           |
| 508/2/04367     | . . . PLUG, filler   | 3       | -           |           |
| Z2139623        | . . . SLEEVE, packing, 16/20   | 7       | -           |           |
| EEAS146/20      | . . . SLEEVE, 3/4" long  | QR      | -           |           |
| EEAS146/6       | . . . SLEEVE, 1" long  | QR      | -           |           |

## ELECTRICAL

## ELECTRICAL EQUIPMENT IN PORT WING

| Part Number            | Description  | No. Off | Mati. Spec. | Plate No. |
|------------------------|--|---------|-------------|-----------|
|                        |  |         |             |           |
| EEAS146/6              | . . . SLEEVE, 1½" long   | QR      | -           |           |
| 691(ET) 10-6S<br>UK-AN | . . . SOCKET, free, Mk.6   | 1       | -           |           |
| 9000-18-1S             | . . . SOCKET, free   | 1       | -           |           |
| HC294                  | . . . TAG, ring tongue   | 11      | -           |           |
| EG7.81.1855            | . . . CABLE, ASSEMBLY, P468, FROM PORT ALTERNATOR<br>BAY T/B TO ALTERNATOR TEST SOCKET,<br>GROUP<br>Consisting of:   | 1       | -           |           |
| EB2.81.8537            | . . . BRACKET, angle   | 1       | L72         | 47/15     |
| UNINYVIN 20            | . . . CABLE, uninyvin 20   | QR      | -           |           |
| 2CZ83028               | . . . CAP, protective  | 1       | -           |           |
| CZ76201                | . . . CLAMP, cable   | 1       | -           |           |
| 508/2/07705/200        | . . . GASKET, outlet   | 1       | -           |           |
| 508/2/07719/200        | . . . GASKET, union  | 1       | -           |           |
| Z71253                 | . . . NUT, outlet  | 1       | -           |           |
| CZ62969                | . . . OUTLET, straight   | 1       | -           |           |
| EB2.81.8521            | . . . PLATE, mounting<br>Attaching parts for EB2.81.8521:  | 1       | -           | 47/17     |
| AGS2001/B/1            | . . . Nut, stiff, 4BA  | 4       | -           | 47/19     |
| A33/B16                | . . . Screw, 4BA c'sk head   | 4       | -           | 47/16     |
| SP13/B                 | . . . Washer, 4BA plain  | 4       | -           | 47/18     |
| 508/2/07708/200        | . . . RING, sealing  | 1       | -           |           |
| 508/2/07752/007        | . . . RING, thrust   | 1       | -           |           |
| TERRY 169-1/2          | . . . RING, split  | 1       | -           |           |
| EEAS146/20             | . . . SLEEVE, 3/4" long  | QR      | -           |           |
| EEAS146/6              | . . . SLEEVE, 1" long  | QR      | -           |           |
| EEAS146/6              | . . . SLEEVE, 1½" long   | QR      | -           |           |
| 2CZ84795               | . . . SOCKET, fixed, Mk.4  | 1       | -           |           |
| HC294                  | . . . TAG, ring tongue   | 4       | -           |           |
| EG7.81.1857            | . . . CABLE, ASSEMBLY, P455, FROM MAIN CONTACTOR<br>PANEL TO CONTROL AND PROTECTION UNIT,<br>GROUP<br>Consisting of: | 1       | -           |           |
| UNITERSIL 4            | . . . CABLE, unifersil 4   | QR      | -           |           |
| A.M.P.150374           | . . . LUG, 5/16  | 3       | -           |           |
| A.M.P.323173           | . . . LUG, 1/4   | 3       | -           |           |

## ELECTRICAL

## ELECTRICAL EQUIPMENT IN PORT WING

| Part Number     | Description   | No.<br>Off | Matl. Spec. | Plate No. |
|-----------------|---|------------|-------------|-----------|
|                 |   |            |             |           |
| EEAS146/00      | . . . SLEEVE, 1" long   | 2          | -           |           |
| EEAS146/4       | . . . SLEEVE, 1½" long  | 6          | -           |           |
| EEAS146/00      | . . . SLEEVE, 1½" long  | 2          | -           |           |
| EG7.81.2025     | . . . CABLE, ASSEMBLY, P459, FROM HYDRAULIC SERVO<br>TO FREQUENCY CONTROL UNIT, GROUP         | 1          | -           |           |
|                 | Consisting of:  |            |             |           |
| UNINYVIN 22     | . . . CABLE, uninyvin 22  | QR         | -           |           |
| CC612/052       | . . . CLAMP, cable  | 2          | -           |           |
| 508/2/04366     | . . . PLUG, filler, size 20   | 8          | -           |           |
| 691(ET) 12-12P  | . . . PLUG, free, Mk.6  | 1          | -           |           |
| EEAS146/22      | . . . SLEEVE, 1/4" long   | QR         | -           |           |
| EEAS146/2       | . . . SLEEVE, 1" long   | QR         | -           |           |
| 691(ET) 12-12S  | . . . SOCKET, free, Mk.6  | 1          | -           |           |
| EG7.81.2027     | . . . CABLE, ASSEMBLY, P469, FROM PORT O/SPEED<br>SWITCH TO PORT ALTERNATOR BAY T/B,<br>GROUP | 1          | -           |           |
|                 | Consisting of:  |            |             |           |
| UNITERSIL 20    | . . . CABLE, unifersil 20   | QR         | -           |           |
| 508/1/07776/001 | . . . CLAMP, cable  | 1          | -           |           |
| 508/2/07705/300 | . . . GASKET, outlet  | 1          | -           |           |
| 508/2/07719/300 | . . . GASKET, union   | 1          | -           |           |
| 508/2/07639/001 | . . . OUTLET, straight  | 1          | -           |           |
| 508/2/07708/300 | . . . RING, sealing   | 1          | -           |           |
| 508/2/07752/007 | . . . RING, thrust  | 1          | -           |           |
| EEAS146/20      | . . . SLEEVE, 3/4" long   | 2          | -           |           |
| EEAS146/12      | . . . SLEEVE, 1" long   | QR         | -           |           |
| EEAS146/12      | . . . SLEEVE, 1½" long  | 1          | -           |           |
| 508/1/07001/320 | . . . SOCKET, free, Mk.7  | 1          | -           |           |
| A.M.P.150492    | . . . TAG, ring tongue  | 2          | -           |           |

R

## ELECTRICAL

## ELECTRICAL EQUIPMENT IN PORT WING

| Part Number   | 1 2 3 4 5 6 | Description   | No. Off | Matl. Spec. | Plate No. |
|---------------|-------------|---|---------|-------------|-----------|
|               |             |   |         |             |           |
| EG7.81.2129   | . . .       | CABLE, ASSEMBLY, P475, FROM THERMOSTAT INBOARD RIB 3 TO D.C. T/B OUTBOARD RIB 3A, GROUP<br>Consisting of: | 1       | -           |           |
| EG7.81.2111   | . . .       | BLOCK, insulating<br>Attaching parts for EG7.81.2111:   | 1       | BS2572      | 47/8      |
| A47/Z         | . . .       | Nut, 8BA plain  | 2       | -           | 47/1      |
| A33/Z12       | . . .       | Screw, 8BA c'sk head  | 2       | -           | 47/6      |
| AGS2035/AA    | . . .       | Washer, 8BA shakeproof  | 2       | -           | 47/5      |
| R UNINYVIN 22 | . . .       | CABLE, uninyvin 22  | QR      | -           |           |
| Z22431        | . . .       | GROMMET, tension  | 1       | -           |           |
| EEAS146/22    | . . .       | SLEEVE, 3/4" long   | QR      | -           |           |
| EEAS146/12    | . . .       | SLEEVE, 1" long   | QR      | -           |           |
| EEAS146/12    | . . .       | SLEEVE, 1 1/2" long   | QR      | -           |           |
| HC294         | . . .       | TAG, ring tongue  | 2       | -           |           |
| ESSEX         |             |   |         |             |           |
| INTERNATIONAL | . . .       | THERMOSTAT, type A.605-F.70-2.5   | 1       | -           | 47/7      |
| EG7.81.2131   | . . .       | CABLE, ASSEMBLY, P464, FROM PORT CONTROL AND PROTECTION UNIT TO PORT ALTERNATOR, GROUP<br>Consisting of:  | 1       | -           |           |
| R UNITERSIL 4 | . . .       | CABLE, unifersil 4  | QR      | -           |           |
| A.M.P.150374  | . . .       | LUG (Pre SAS4745)   | 1       | -           |           |
| EEAS146/4     | . . .       | SLEEVE, 1" long   | 3       | -           |           |
| EEAS146/4     | . . .       | SLEEVE, 1 1/2" long   | 3       | -           |           |
| A.M.P.160098  | . . .       | TAG, soli-strand (SAS4745)  | 1       | -           |           |
| A.M.P.323173  | . . .       | TAG, ring tongue  | 1       | -           |           |
| EG7.81.2133   | . . .       | CABLE, ASSEMBLY, P465, FROM PORT CONTROL AND PROTECTION UNIT TO ALTERNATOR, GROUP<br>Consisting of:       | 1       | -           |           |
| R UNITERSIL 4 | . . .       | CABLE, unifersil 4  | QR      | -           |           |
| A.M.P.150374  | . . .       | LUG (Pre SAS4745)   | 1       | -           |           |
| EEAS146/4     | . . .       | SLEEVE, 1" long   | 3       | -           |           |
| EEAS146/4     | . . .       | SLEEVE, 1 1/2" long   | 3       | -           |           |
| A.M.P.323173  | . . .       | TAG, ring tongue  | 1       | -           |           |
| A.M.P.160098  | . . .       | TAG, soli-strand (SAS4745)  | 1       | -           |           |

## ELECTRICAL EQUIPMENT IN PORT WING

| Part Number         | Description   | No. Off | Mati. Spec. | Plate No. |
|---------------------|---|---------|-------------|-----------|
|                     |   |         |             |           |
| EG7.81.2135         | . . . CABLE, ASSEMBLY, P466, FROM PORT CONTROL AND PROTECTION UNIT TO PORT ALTERNATOR, GROUP<br>Consisting of:- | 1       | -           |           |
| UNITERSIL 4         | . . . CABLE, unifersil 4  | QR      | -           |           |
| A.M.P.150374        | . . . LUG (Pre SAS4745)   | 1       | -           |           |
| EEAS146/4           | . . . SLEEVE, 1" long   | 3       | -           |           |
| EEAS146/4           | . . . SLEEVE, 1½" long  | 3       | -           |           |
| A.M.P.160098        | . . . TAG, soli-strand (SAS4745)  | 1       | -           |           |
| A.M.P.323173        | . . . TAG, ring tongue  | 1       | -           |           |
| EG7.81.2752         | . . . CABLE, ASSEMBLY, P456, FROM PORT WING ROOT TO PORT ALTERNATOR, GROUP<br>Consisting of:-                   | 1       | -           |           |
| UNITERSIL 16        | . . . CABLE, unifersil 16   | QR      | -           |           |
| UNITERSIL 20        | . . . CABLE, unifersil 20   | QR      | -           |           |
| UNITERSIL 22        | . . . CABLE, unifersil 22   | QR      | -           |           |
| 508/2/03547/002     | . . . PIN, plug, 16   | 6       | -           |           |
| 508/2/05604/002     | . . . PIN, plug, 16/20  | 18      | -           |           |
| 508/2/04367         | . . . PLUG, filler  | QR      | -           |           |
| UK-AN               |   |         |             |           |
| 9000-24-28P         | . . . PLUG, free  | 1       | -           |           |
| 22139623            | . . . SLEEVE, packing, 16/20  | 18      | -           |           |
| EEAS146/2           | . . . SLEEVE, 1/2" long   | QR      | -           |           |
| EEAS146/6           | . . . SLEEVE, 1/2" long   | QR      | -           |           |
| EEAS146/20          | . . . SLEEVE, 3/4" long   | QR      | -           |           |
| EEAS146/00          | . . . SLEEVE, 1" long   | QR      | -           |           |
| EEAS146/2           | . . . SLEEVE, 1½" long  | QR      | -           |           |
| EEAS146/6           | . . . SLEEVE, 1½" long  | QR      | -           |           |
| HELLERMANN<br>HC294 | . . . TAG, R.T.   | 18      | -           |           |
| HELLERMANN<br>HC304 | . . . TAG, R.T.   | 3       | -           |           |
| EG7.81.3589         | . . . CABLE, ASSEMBLY, 9B5, FROM WING TERMINAL BLOCK TO FILTER BOX, GROUP (Mod.4936)<br>Consisting of:-         | 1       | -           |           |
| UNINYVIN 20         | . . . CABLE, uninyvin 20  | QR      | -           |           |
| SP93/A6             | . . . GROMMET   | 2       | -           |           |
| EEAS146/12          | . . . SLEEVE, 3/4" long   | QR      | -           |           |
| EEAS146/12          | . . . SLEEVE, 1½" long  | QR      | -           |           |
| EEAS146/20          | . . . SLEEVE, 3/4" long   | QR      | -           |           |
| EEAS146/20          | . . . SLEEVE, 1" long   | QR      | -           |           |
| HELLERMANN<br>HC292 | . . . TAG, ring tongue, 2BA   | 1       | -           |           |
| HELLERMANN<br>HC294 | . . . TAG, ring tongue, 4BA   |         |             |           |

## ELECTRICAL

## ELECTRICAL EQUIPMENT IN PORT WING

| Part Number      | Description   | No. Off | Mati. Spec. | Plate No. |
|------------------|---|---------|-------------|-----------|
|                  |   |         |             |           |
| EG7.81.3587      | . . . CABLE, ASSEMBLY, 9B4, FROM WING TERMINAL BLOCK TO FILTER BOX, GROUP (Mod.4936)<br>Consisting of:- | 1       | -           |           |
| UNINYVIN 20      | . . . CABLE, uninyvin 20  | QR      | -           |           |
| SP93/A6          | . . . GROMMET   | 3       | -           |           |
| EEAS146/6        | . . . SLEEVE, 1/2" long   | 1       | -           |           |
| EEAS146/6        | . . . SLEEVE, 1" long   | 2       | -           |           |
| EEAS146/6        | . . . SLEEVE, 1 1/2" long   | 1       | -           |           |
| EEAS146/20       | . . . SLEEVE, 3/4" long   | 4       | -           |           |
| EEAS146/20       | . . . SLEEVE, 1" long   | 3       | -           |           |
| HELLERMANN HC292 | . . . TAG, ring tongue, 2BA   | 1       | -           |           |
| HELLERMANN HC294 | . . . TAG, ring tongue, 4BA   | 5       | -           |           |
| EG7.81.3013      | . . . CABLE, ASSEMBLY, 7F, CONNECTION, FROM J.B.7 TO FIRE EXTINGUISHER BOTTLE, GROUP<br>Consisting of:- | 1       | -           |           |
| UNINYVIN 20      | . . . CABLE, uninyvin 20  | QR      | -           |           |
| 508/1/07776/003  | . . . CLAMP, cable  | 1       | -           |           |
| EEAS274          | . . . FERRULE, assembly   | 1       | -           |           |
| 508/2/07719/200  | . . . GASKET, union   | 1       | -           |           |
| Z22430           | . . . GROMMET, No.2   | 2       | -           |           |
| 508/2/07708/200  | . . . RING, sealing   | 1       | -           |           |
| 508/2/07752/007  | . . . RING, thrust  | 1       | -           |           |
| Z49428           | . . . SLEEVE, packing   | 2       | -           |           |
| EEAS146/20       | . . . SLEEVE, 3/4" long   | 4       | -           |           |
| EEAS146/12       | . . . SLEEVE, 1" long   | 3       | -           |           |
| EEAS146/12       | . . . SLEEVE, 1 1/2" long   | 5       | -           |           |
| 508/1/03986      | . . . SOCKET, 2-way   | 1       | -           |           |
| HC490            | . . . TAG, quick release  | 2       | -           |           |
| EA3.81.5549      | . . . CABLE, ASSEMBLY, P9, FROM FUSELAGE AND WING CONNECTION TO J.B.9, GROUP<br>Consisting of:-         | 1       | -           |           |
| UNINYVIN 20      | . . . CABLE, uninyvin 20  | QR      | -           |           |
| UNIPREN 12       | . . . CABLE, unipren 12   | QR      | -           |           |

## ELECTRICAL

## ELECTRICAL EQUIPMENT IN PORT WING

| Part Number       | Description   | No. Off | Matl. Spec. | Plate No. |
|-------------------|---|---------|-------------|-----------|
|                   |   |         |             |           |
| UNINYVIN 12       | . . . CABLE, uninyvin 12  | QR      | -           |           |
| Z18500/C          | . . . FERRULE   | 1       | -           |           |
| CZ24644           | . . . PLATE, ferrule  | 1       | -           |           |
| Z18501/C          | . . . RING, clamp   | 2       | -           |           |
| EEAS146/A         | . . . SLEEVE, 3/4" long   | 30      | -           |           |
| Z49428            | . . . SLEEVE, cable   | 4       | -           |           |
| 508/1/03976       | . . . SOCKET, 14-way, size 'C'  | 1       | -           |           |
| HC490             | . . . TAG, quick release  | 4       | -           |           |
| Z19925            | . . . TAG, quick release  | 7       | -           |           |
| Z19926            | . . . TAG, quick release  | 2       | -           |           |
| 32B/1/255291      | . . . TAPE, lassolastic, 1/2" wide, white   | QR      | -           |           |
| Z19980            | . . . THIMBLE, quick release  | 7       | -           |           |
| Z19981            | . . . THIMBLE, quick release  | 2       | -           |           |
| 5F/9156422        | . . . TUBING, P.V.C., 19 mm x 1.2 mm  | QR      | -           |           |
| EA3.81.5667       | . . . CABLE, ASSEMBLY, 9Z, FROM J.B.9 TO 2-WAY<br>T/BO/B RIB 8, GROUP<br>Consisting of: | 1       | -           |           |
| UNIPREN 12        | . . . CABLE, unipren 12   | QR      | -           |           |
| Z22430            | . . . GROMMET, No.2   | 1       | -           |           |
| EEAS146/A1        | . . . SLEEVE, 3/4" long   | 4       | -           |           |
| EEAS146/C         | . . . SLEEVE, 3/4" long   | 2       | -           |           |
| Z19925            | . . . TAG, quick release  | 2       | -           |           |
| Z19980            | . . . THIMBLE, quick release  | 2       | -           |           |
| 5X/1017409        | . . . CAP, protective   | 1       | -           |           |
| -                 | . WIRING, IN MAIN UNDERCARRIAGE, ASSEMBLY<br>(EA1.81.23)<br>Spares for:                 | -       | -           | 48/21     |
| EA1.20.1245       | . . . BOLT, special, 2BA  | 2       | S11         | 48/16     |
| A25/7B            | . . . BOLT, 4BA, at up-lock position only (Com.Mod.0443)                                | 2       | -           |           |
| AGS3180/4B        | . . . CLIP, 'P' (Com.Mod.0443)  | 1       | -           |           |
| AGS2001/B/1       | . . . NUT, stiff, 4BA (Com.Mod.0443)  | 1       | -           |           |
| A27/CP            | . . . NUT, 2BA  | 2       | -           |           |
| CM0443.FIG.1      | . . . PLATE, support (Com.Mod.0443)   | 1       | -           |           |
| A32/B16           | . . . SCREW, 4BA (Com.Mod.0443)   | 1       | -           |           |
| R DN1322Z Mk.3    | . . . SWITCH, micro, undercarriage down lock (Mod.4959)<br>(Preferred alternative)      | 1       | -           | 48/31     |
| DN1322Z Mk.3      | . . . SWITCH, micro, undercarriage up-lock (Mod.4958)                                   | 1       | -           | 48/17     |
| AGS2035/C         | . . . WASHER, shakeproof  | 2       | -           |           |
| SP13/B            | . . . WASHER, plain (Com.Mod.0443)  | 2       | -           |           |
| -                 | . WIRING AND CLIPPING IN ALTERNATOR BAY<br>(EG7.81.1645)<br>Spares for:                 | -       | -           | 48/22     |
| WARD BROOKE       | . . . BLOCK, terminal, 10-way   | 1       | -           | 48/7      |
| WB/UN/1146/S/10/W | Attaching parts for WBUN1146/5/10/W:  |         |             |           |
| A25/3B            | . . . Bolt, 4BA, hex. head  | 2       | -           | 48/4      |
| SP13/B            | . . . Washer, 4BA plain   | 2       | -           | 48/5      |

## ELECTRICAL

## ELECTRICAL EQUIPMENT IN PORT WING

| Part Number  | 1 2 3 4 5 6 | Description  | No.<br>Off | Matl. Spec. | Plate No. |
|--|-------------|--|------------|-------------|-----------|
|  |             |  |            |             |           |
| R<br>WARD BROOKE<br>WB/UN/1146/D/10/W<br>AGS2001/B/1<br>WARD BROOKE<br>WB/1114/28<br>SP13/B<br>EG7.81.481<br>A25/1B<br>EEAS238/1A<br>ROTAX<br>U7703<br>R<br>A25/4E<br>SP13/E<br>WARD BROOKE<br>WB/NY/1110/B10<br>EG7.81.2097<br>A25/1/2B<br>SIR G. GODFREY<br>G.P.S.3 Mk.4<br>AS2697<br>EB2.81.2285<br>EG7.81.483<br>AGS2001/G/1<br>SP13/G<br>EEAS28/23ERH<br>101401 |             | . . BLOCK, terminal, 20-way<br>Attaching parts for 5CZ/4329844:    | 1          | -           | 48/2      |
|  |             | . . Nut, stiff, 4BA  | 2          | -           | 48/8      |
|  |             | . . Pillar, fixing   | 2          | -           | 48/11     |
|  |             | . . Washer, 4BA plain  | 2          | -           | 48/10     |
|  |             | . . CLIP, assembly<br>Attaching parts for EG7.81.481:              | 8          | -           | 48/12     |
|  |             | . . Bolt, 4BA hex. head  | 2          | -           | 48/13     |
|  |             | . . Washer, 'D'  | 2          | L72         | 48/9      |
|  |             | . . CONTROL, and protection unit<br>Attaching parts for ROTAXU7703 | 1          | -           | 48/19     |
|  |             | . . Bolt, 1/4" BSF hex. head                                       | 2          | -           | 48/28     |
|  |             | . . Washer, 1/4" BSF plain   | 2          | -           | 48/27     |
|  |             | . . COVER, terminal block  | 1          | -           | 48/3      |
|  |             | . . COVER, terminal block<br>Attaching parts for EG7.81.2097:      | 1          | -           | 48/6      |
|  |             | . . Bolt, 4BA hex. head  | 2          | -           | 48/1      |
|  |             | . . FREQUENCY, control unit  | 1          | -           | 48/14     |
|  |             | . . LUG, adaptor, 4-way<br>Attaching parts for AS2697:             | 1          | -           | 48/25     |
|  |             | . . Bolt, 5/16" special  | 1          | -           | 48/23     |
|  |             | . . Nut, 5/16" BSF special (Make from A14/GB Ref.<br>28M/1010994)  | 2          | -           | 48/26     |
|  |             | . . Nut, stiff, 5/16" BSF  | 1          | -           | 48/30     |
|  |             | . . Washer, 5/16" BSF plain  | 4          | -           | 48/29     |
|  |             | . . Washer, 'D'  | 1          | L72         | 48/24     |
|  |             | . . MOUNTING, frequency control unit                               | 1          | -           | 48/15     |

## ELECTRICAL

## ELECTRICAL EQUIPMENT IN STARBOARD WING

| Part Number   | Description  | No. Off | Matl. Spec. | Plate No. |   |
|---------------|--|---------|-------------|-----------|---|
|               |  |         |             |           | 1 |
| R -           | ELECTRICAL EQUIPMENT IN STARBOARD WING,<br>ASSEMBLY (EG7.81.1610) (PRE MOD.5466) | -       | -           | 45/3      |   |
| R -           | ELECTRICAL EQUIPMENT IN STARBOARD WING,<br>ASSEMBLY (EG7.81.5112) (MOD.5466)     | RF      | -           |           |   |
| -             | Spares for:-<br>CONDUIT ON RIB 7, INNER WING, ASSEMBLY (EA1.81.18)               | -       | -           | 45/6      |   |
| -             | Spares for:-   |         |             |           |   |
| EA1.81.102    | . . CLIP, conduit securing<br>Attaching parts for EA1.81.102:-                   | 1       | -           | 45/40     |   |
| A25/1C        | . . Bolt, 2 BA hex. head   | 2       | -           | 45/38     |   |
| A27/CP        | . . Nut, 2 BA plain  | 2       | -           | 45/44     |   |
| SP47/C        | . . Washer, 2 BA spring  | 2       | -           | 45/43     |   |
| EA1.81.110    | . . CLIP, conduit securing<br>Attaching parts for EA1.81.110:-                   | 5       | -           | 45/27     |   |
| A25/2C        | . . Bolt, 2 BA hex. head   | 1       | -           | 45/26     |   |
| A27/CP        | . . Nut, 2 BA plain  | 1       | -           | 45/20     |   |
| SP47/C        | . . Washer, 2 BA spring  | 1       | -           | 45/24     |   |
| EA1.81.17/A   | . . CONDUIT, 1½" o/d x 82" long  | 1       | T9          | 45/19     |   |
| -             | . . ELECTRICAL EQUIPMENT, INNER WING, REAR,<br>ASSEMBLY (EA1.81.26)              | -       | -           | 45/5      |   |
| -             | Spares for:-   |         |             |           |   |
| EG7.81.401    | . . BOX, JUNCTION No.10, GROUP (Pre SAS4745)                                     | 1       | -           | 45/16     |   |
| EG7.81.3779   | . . BOX, JUNCTION No.10 (SAS4745)  | 1       | -           |           |   |
| -             | Consisting of:-  |         |             |           |   |
| 703-1-00249   | . . . BLOCK, terminal, 20-way  | 1       | -           | 45/29     |   |
| EA1.81.589    | . . . BOX, junction, 20-way  | 1       | -           | 45/25     |   |
| Z23197        | . . . GASKET, plug   | 1       | -           | 45/30     |   |
| Z22634        | . . . GROMMET, dummy (Pre SAS4745)   | 3       | -           | 45/18     |   |
| Z22634        | . . . GROMMET, dummy (SAS4745)   | 2       | -           |           |   |
| EA1.81.598D   | . . . LID, assembly  | 1       | -           | 45/42     |   |
| Z50210        | . . . LINK, commoning, 2-way   | 1       | -           | 45/35     |   |
| Z50219        | . . . LINK, connecting transverse  | 1       | -           | 45/32     |   |
| A27/AP        | . . . NUT, 6 BA plain  | 4       | -           | 45/9      |   |
| A43/B28       | . . . SCREW, 4 BA cheese head  | 2       | -           | 45/34     |   |
| A32/A12       | . . . SCREW, 6 BA round head   | 4       | -           | 45/12     |   |
| EEAS146/6/3/B | . . . SLEEVE, 3/8" long, yellow (Pre SAS4745)                                    | 10      | -           |           |   |
| EEAS146/6/3/B | . . . SLEEVE, 3/8" long, yellow (SAS4745)  | 13      | -           |           |   |
| AGS585/B      | . . . WASHER, 4 BA spring  | 2       | -           | 45/36     |   |
| SP47/A        | . . . WASHER, 6 BA spring  | 4       | -           | 45/33     |   |
| 6A/4332834    | . . COMPENSATOR, cold junction, type 'B'<br>Attaching parts for 6A/4332834:-     | 1       | -           | 45/13     |   |
| A25/2A        | . . Bolt, 6 BA hex. head   | 4       | -           | 45/14     |   |
| EA3.81.1473   | . . FAIRLEAD<br>Attaching parts for EA3.81.1473:-                                | 2       | LFS         | 45/45     |   |
| A25/9B        | . . Bolt, 4 BA hex. head   | 2       | -           | 45/39     |   |
| AGS2001/B/1   | . . Nut, stiff, 4 BA   | 3       | -           | 45/21     |   |
| A27/BT        | . . Nut, 4 BA thin   | 3       | -           | 45/22     |   |
| SP15/B        | . . Washer, 4 BA plain   | 3       | -           | 45/28     |   |

## ELECTRICAL

## ELECTRICAL EQUIPMENT IN STARBOARD WING

| Part Number  | Description  | No. Off | Matl. Spec. | Plate No. |   |
|--------------|--|---------|-------------|-----------|---|
|              |  |         |             |           | 1 |
| EEAS132/7    | . . . STRAP, c/w buckle, 7" long                                     | 1       | -           | 45/23     |   |
| EEAS132/9    | . . . STRAP, c/w buckle, 9" long                                     | 3       | -           | 45/7      |   |
|              | Attaching parts for EEAS132/7 and EEAS132/9:-                        |         |             |           |   |
| AS1248/3B    | . . . Bolt, 4BA mushroom head  | 1       | -           | 45/8      |   |
| AGS2001/B/1  | . . . Nut, stiff, 4BA  | 1       | -           | 45/1      |   |
| EEAS28/18ER  | . . . Washer, special  | 1       | L72         | 45/4      |   |
| -            | . ELECTRICAL EQUIPMENT IN ENGINE BAY, ASSEMBLY<br>(EA3.81.2436)      | -       | -           | 46/8      |   |
|              | Spares for:-   |         |             |           |   |
| EA1.81.124/2 | . . . BOX, JUNCTION No.12, GROUP                                     | 1       | -           | 46/32     |   |
|              | Spares for:-   |         |             |           |   |
| EA1.81.117   | . . . . BOX, junction, complete                                      | 1       | -           | 46/33     |   |
| UNINYVIN 20  | . . . . CABLE, uninyvin 20   | QR      | -           |           |   |
| UNIPREN 12   | . . . . CABLE, unipren 12  | QR      | -           |           |   |
| UNINYVIN 12  | . . . . CABLE, uninyvin 12   | QR      | -           |           |   |
| EA1.81.120   | . . . . COVER, junction box  | 1       | -           | 46/27     |   |
|              | Spares for:-   |         |             |           |   |
| -            | . . . . GASKET, synthetic cork (Mod.4723)<br>(Make from 32B/9103610) | 1       | BS4332      | 46/47     |   |
| 508/1/06423  | . . . . PLUG, 6-way, size 'B'  | 1       | -           | 46/34     |   |
| 508/1/06422  | . . . . PLUG, 9-way, size 'B'  | 3       | -           | 46/25     |   |
| 508/1/06428  | . . . . PLUG, 12-way, size 'C'                                       | 1       | -           | 46/29     |   |
| 508/1/06429  | . . . . PLUG, 14-way, size 'C'                                       | 1       | -           | 46/28     |   |
|              | . . . . SLEEVE, 3/4" long  | QR      | -           |           |   |
| Z49428       | . . . . SLEEVE, cable  | 34      | -           |           |   |
| Z56545       | . . . . TAG, closed end  | 7       | -           |           |   |
| Z56547       | . . . . TAG, closed end  | 1       | -           |           |   |
| EEAS142      | . . . . TERMINAL, earth  | 1       | -           |           |   |
| Z19980       | . . . . THIMBLE, quick release                                       | 7       | -           |           |   |
| Z19981       | . . . . THIMBLE, quick release                                       | 1       | -           |           |   |
| -            | . ELECTRICAL EQUIPMENT, LEADING EDGE, ASSEMBLY<br>(EA3.81.2648)      | -       | -           | 46/11     |   |
|              | Spares for:-   |         |             |           |   |
| EG7.81.2123  | . . . BOX, JUNCTION No.8, GROUP (Mod.4797)                           | 1       | -           | 46/42     |   |
|              | Consisting of:-  |         |             |           |   |
| EA1.81.583   | . . . . BOX, junction, 40-way  | 1       | -           | 46/43     |   |
| UNINYVIN 12  | . . . . CABLE, uninyvin 12   | QR      | -           |           |   |
| UNINYVIN 16  | . . . . CABLE, uninyvin 16   | QR      | -           |           |   |
| UNINYVIN 20  | . . . . CABLE, uninyvin 20   | QR      | -           |           |   |
| EA1.81.597E  | . . . . COVER, assembly  | 1       | -           | 46/40     |   |
| Z22634       | . . . . GROMMET, dummy (Pre-Mod.4797)                                | 4       | -           | 46/36     |   |

## ELECTRICAL

## ELECTRICAL INSTALLATION IN STARBOARD WING

| Part Number | Description  | No. Off | Matl. Spec. | Plate No. |
|-------------|--|---------|-------------|-----------|
|             |  |         |             |           |
| Z50212      | . . . LINK, connecting, 4-way  | 2       | --          | 46/44     |
| Z27323      | . . . PIN, plug  | 15      | --          | 46/38     |
| 508/1/06405 | . . . PLUG, 12-way, size 'C'   | 1       | --          | 46/30     |
| 508/1/06406 | . . . PLUG, 14-way, size 'C'   | 1       | --          | 46/35     |
| 508/1/06413 | . . . PLUG, 26-way, size 'D'   | 2       | --          | 46/37     |
| Z49428      | . . . SLEEVE, packing  | QR      | --          |           |
| M.A.M.      | . . . SLEEVE, 3 mm i/d x 3/8" long, pink   | QR      | Grade CXH   |           |
| EEAS146/20  | . . . SLEEVE, 3/4" long  | QR      | --          |           |
| HC490       | . . . TAG, quick release   | 5       | --          |           |
| HC500       | . . . TAG, quick release   | 7       | --          |           |
| HC490       | . . . TAG, quick release   | 41      | --          |           |
| Z19925      | . . . TAG, quick release   | 5       | --          |           |
| Z19926      | . . . TAG, quick release   | 2       | --          |           |
| Z19980      | . . . THIMBLE, quick release   | 5       | --          |           |
| Z19981      | . . . THIMBLE, quick release   | 2       | --          |           |
| EA1.81.981  | . . . FAIRLEAD<br>Attaching parts for EA1.81.981:  | 1       | --          | 46/7      |
| A25/2C      | . . . Bolt, 2BA hex. head  | 6       | --          | 46/3      |
| SP15/C      | . . . Washer, 2BA plain  | 6       | --          | 46/5      |
| EA3.81.2441 | . . . FAIRLEAD<br>Attaching parts for EA3.81.2441:   | 2       | --          | 46/9      |
| A25/3B      | . . . Bolt, 4BA hex. head  | 6       | --          | 46/12     |
| AGS2001/B/1 | . . . Nut, stiff, 4BA  | 6       | --          | 46/10     |
| SP15/B      | . . . Washer, 4BA plain  | 6       | --          | 46/13     |
| R NB25/2 or | . . . IGNITION, H.E. unit  | 2       | --          |           |
| R NB25/3 or | . . . IGNITION, H.E. unit  | 2       | --          | 46/21     |
| R C10TS/3   | . . . IGNITION, H.E. unit  | 2       | --          |           |
|             | Attaching parts for ignition units:--  |         |             |           |
| R A25/13E   | . . . Bolt, 1/2" BSF   | 3       | --          | 46/22     |
| R SP15E     | . . . Washer 1/2"  | 3       | --          | 46/22A    |
| EG9.81.1727 | . . . SCREW, special, at earth point ES, wing to fuselage<br>(SAS4745)<br>Attaching parts for EG9.81.1727: | 1       | --          |           |
| AN316C/6    | . . . Nut, 3/8" UNF  | 2       | --          |           |
| AS8623/J    | . . . Nut, stiff, 3/8" UNF   | 1       | --          |           |
| AN960C/616L | . . . Washer, 3/8" UNF   | 4       | --          |           |
| A43/C40     | . . . SCREW, earth point E8 and E12 (SAS4745)<br>Attaching parts for A43/ C40:                             | 2       | --          |           |
| A54/C       | . . . Nut, 2BA   | 2       | --          |           |
| AGS2001/C/4 | . . . Nut, stiff, 2BA  | 1       | --          |           |
| SP124/D     | . . . Washer, 10 UNF   | 2       | --          |           |
| SP25/C      | . . . Washer, 2BA  | 2       | --          |           |
| EL26788     | . . . SUPPRESSOR, type X, No.3   | 1       | --          | 46/24     |
| -           | . . . LOOMS, CABLE, ASSEMBLY (EG7.81.1612 and EA3.81.32)<br>(Pre Mod 5466)                                 | --      | --          |           |
|             | . . . LOOMS, CABLE, ASSEMBLY (EG7.81.5323) (Mod 5466)<br>Spares for:--                                     |         |             |           |
| EA3.81.6799 | . . . CABLE, ASSEMBLY (Alt.R60/55) (Mod.5101)<br>Spares for:--   | 1       | --          |           |
| Z2270/2     | . . . FERRULE  | 2       | --          |           |
| AGS1744     | . . . LUG  | 2       | --          |           |
| Z1378       | . . . NUT, coupling  | 2       | --          |           |
| AGS1691/BB  | . . . TAG  | 2       | --          |           |
| EB7.81.1465 | . . . THIMBLE  | 2       | --          |           |

## ELECTRICAL

## ELECTRICAL EQUIPMENT IN STARBOARD WING

| Part Number                       | Description  | No. Off | Matl. Spec. | Plate No. |   |
|-----------------------------------|--|---------|-------------|-----------|---|
|                                   |  |         |             |           | 1 |
| EB6.81.533<br>or<br>EA3.81.6205   | . . . CABLE, ASSEMBLY, E10, EARTH CONNECTION FOR<br>J.B.10, GROUP<br>Spares for this group are identical with those for<br>EB6.81.527 on page EC4  | 1       | -           |           |   |
| EA1.81.816/2                      | . . . CABLE, ASSEMBLY, 8H, CONNECTION BETWEEN<br>J.B.8 AND J.B.12, GROUP<br>Spares for this group are identical with those for<br>group Part No.EA3.81.3063 on page EC8 except<br>for the following deletions and additions<br>Delete: | 1       | -           |           |   |
| 2CZ111659                         | . . . SOCKET, assembly, 14-way, size 'C'   | 1       | -           |           |   |
| 2CZ111705                         | . . . SOCKET, assembly, 14-way, size 'C'<br>Add:   | 1       | -           |           |   |
| 508/1/03954                       | . . . SOCKET, assembly, 14-way, size 'C'   | 1       | -           |           |   |
| 508/1/03999                       | . . . SOCKET, assembly, 14-way, size 'C'   | 1       | -           |           |   |
| EA1.81.818/2                      | . . . CABLE, ASSEMBLY, 8J, CONNECTION BETWEEN<br>J.B.8 AND J.B.12, GROUP<br>Spares for this group are identical with those for<br>group Part No.EA3.81.3065 on page EC8  | 1       | -           |           |   |
| EA1.81.820/1<br>or<br>EA1.81.1217 | . . . CABLE, ASSEMBLY, 8A1, FROM TERMINAL BOARD<br>TO UNDERCARRIAGE 'UP' MICRO-SWITCH,<br>GROUP<br>Spares for this group are identical with those for<br>group Part No.EA1.81.819/1 on page EC4  | 1       | -           |           |   |
| R EA1.81.829/1                    | . . . CABLE, ASSEMBLY, 8A4, BETWEEN TERMINAL<br>BLOCKS IN OLEO SWITCH CIRCUIT,<br>GROUP (Pre Mod 5466)<br>Consisting of:   | 1       | -           |           |   |
| DUPREN 6                          | . . . CABLE, dupren 6  | QR      | -           |           |   |
| SL2/3                             | . . . SLEEVE, No.1 x 3/4"  | 4       | -           |           |   |
| SL3/3                             | . . . SLEEVE, No.3 x 1"  | 2       | -           |           |   |
| EG7.81.5327                       | . . . CABLE, ASSEMBLY, 8A4 (Mod 5466)  | 1       | -           |           |   |
| EA1.81.870/1<br>or<br>EA3.81.6209 | . . . CABLE, ASSEMBLY, E12, EARTH, CONNECTION FOR<br>J.B.12, GROUP<br>Consisting of:   | 2       | -           |           |   |
| UNINYVIN 12                       | . . . CABLE, uninyvin 12   | QR      | -           |           |   |
| 12108                             | . . . LUG, crimping, Mk.8A   | 2       | -           |           |   |
| EEAS146/CX3/4"                    | . . . SLEEVE   | 2       | -           |           |   |
| EA1.81.871/1                      | . . . CABLE, ASSEMBLY, 8A, FROM J.B.8 TO<br>UNDERCARRIAGE WIRING TERMINAL<br>BOARD, GROUP<br>Consisting of:  | 1       | -           |           |   |
| UNINYVIN 20                       | . . . CABLE, uninyvin 20   | QR      | -           |           |   |
| Z22431                            | . . . GROMMET, No.3  | 2       | -           |           |   |
| SL2/3                             | . . . SLEEVE, No.1 x 3/4"  | 8       | -           |           |   |
| SL3/3                             | . . . SLEEVE, No.3 x 1"  | 2       | -           |           |   |
| HC490                             | . . . TAG, quick release   | 4       | -           |           |   |

## ELECTRICAL

## ELECTRICAL EQUIPMENT IN STARBOARD WING

| Part Number                      | Description   | No. Off | Mati. Spec. | Plate No. |
|----------------------------------|---|---------|-------------|-----------|
|                                  |   |         |             |           |
| EA1.81.880/1                     | . . . CABLE, ASSEMBLY, 8A6, FROM UNDERCARRIAGE WIRING TERMINAL BOARD TO UNDER-CARRIAGE DOOR SWITCH, GROUP<br>Consisting of:--   | 1       | --          |           |
| DUPREN 6                         | . . . . CABLE, dupren 6   | QR      | --          |           |
| SL2/3                            | . . . . SLEEVE, 3/4" long   | QR      | --          |           |
| EA3.81.896/1                     | . . . CABLE, ASSEMBLY, 10B3, FROM NAVIGATION LIGHT CONTACT BOARD TO NAVIGATION LIGHT TERMINAL BOARD, GROUP<br>Spares for this group are identical with those for group Part No.EA3.81.895/1 on page EC6 | 1       | --          |           |
| EB7.81.1327<br>or<br>EA1.81.1219 | . . . CABLE, ASSEMBLY, 8A2, FROM TERMINAL BOARD TO UNDERCARRIAGE 'DOWN' MICRO-SWITCH, GROUP<br>Spares for this group are identical with those for group Part No.EB7.81.1295 on page EC6                 | 1       | --          |           |
| EB7.81.1329<br>or<br>EA1.81.1221 | . . . CABLE, ASSEMBLY, 8A3, FROM UNDERCARRIAGE 'DOWN' MICRO-SWITCH TO TERMINAL BOARD, GROUP<br>Spares for this group are identical with those for group Part No.EB7.81.1325 on page EC6                 | 1       | --          |           |
| EB7.81.1331<br>or<br>EA1.81.1223 | . . . CABLE, ASSEMBLY, 8A5, FROM TERMINAL BLOCK TO OLEO SWITCH, GROUP   | 1       | --          |           |
| EG7.81.5325                      | . . . CABLE, ASSEMBLY, 8A5 (Pre Mod 5466)   | 1       | --          |           |
| UNINYVIN 6                       | . . . . CABLE, uninyvin 6   | QR      | --          |           |
| EEAS146/Ax3/4"                   | . . . . SLEEVE  | 2       | --          |           |
| EEAS146/Dx1"                     | . . . . SLEEVE  | 2       | --          |           |
| EA3.81.1470                      | . . . CABLE, ASSEMBLY, 10F, FROM J.B.10 TO COLD JUNCTION COMPENSATOR, GROUP<br>Spares for this group are identical with those for group Part No.EA3.81.1469 on page EC6                                 | 1       | --          |           |
| EA3.81.1584                      | . . . CABLE, ASSEMBLY, 10B, FROM J.B.10 TO WING TIP TERMINAL BOARD, GROUP<br>(Pre Mod 4936)<br>Spares for this group are identical with those for group Part No.EA3.81.1583 on page EC7                 | 1       | --          |           |
| EA3.81.6719                      | . . . CABLE, ASSEMBLY, 10B, FROM J.B.10 TO WING TIP TERMINAL BOARD, GROUP (Mod 4936)<br>Spares for:--   | 1       | --          |           |
| UNINYVIN 20                      | . . . . CABLE, uninyvin 20  | QR      | --          |           |
| Z22432                           | . . . . GROMMET   | 1       | --          |           |
| EEAS146/6x1/2"                   | . . . . SLEEVE  | 36      | --          |           |
| EEAS146/20x3/4"                  | . . . . SLEEVE  | 10      | --          |           |
| EEAS146/6x1"                     | . . . . SLEEVE  | 2       | --          |           |
| EEAS146/6x1 1/4"                 | . . . . SLEEVE  | 1       | --          |           |
| HELLERMANN<br>HC490              | . . . . TAG, quick release  | 5       | --          |           |

## ELECTRICAL

## ELECTRICAL EQUIPMENT IN STARBOARD WING

| Part Number                        | Description   | No.<br>Off | Matl. Spec. | Plate No. |
|------------------------------------|---|------------|-------------|-----------|
|                                    |   |            |             |           |
| EA3.81.1592                        | . . . CABLE, ASSEMBLY, 10B1, FROM WING TIP TERMINAL BOARD TO JETTISON TANK AND NAVIGATION LIGHT TERMINAL BOARD, GROUP<br>Spares for this group are identical with those for group Part No.EA3.81.1591 on page EC7 | 1          | —           |           |
| EA3.81.1594                        | . . . CABLE, ASSEMBLY, 10B2, FROM TERMINAL BOARD TO WING TIP TAXYING LAMP CONNECTION, GROUP<br>Spares for this group are identical with those for group Part No.EA3.81.1593 on page EC7                           | 1          | —           |           |
| EA3.81.2431/2                      | . . . CABLE, ASSEMBLY, S10, FROM FUSELAGE AND WING CONNECTION TO J.B.10, GROUP<br>Spares for this group are identical with those for group Part No.EA3.81.5549 on page EC20                                       | 2          | —           |           |
| EA3.81.2433                        | . . . CABLE, ASSEMBLY, 10G, FROM J.B.10 TO AIR BRAKE MICRO-SWITCHES, GROUP<br>Consisting of:  | 1          | —           |           |
| R UNINYVIN 20                      | . . . CABLE, uninyvin 20  | QR         | —           |           |
| Z22431                             | . . . GROMMET, No.3   | 1          | —           |           |
| SL2/3 x 3/4"                       | . . . SLEEVE, yellow  | 6          | —           |           |
| SL3/3 x 1"                         | . . . SLEEVE, yellow  | 2          | —           |           |
| R HC490                            | . . . TAG, quick release  | 3          | —           |           |
| EA3.81.2457/2                      | . . . CABLE, ASSEMBLY, 8K, FROM J.B.8 TO HIGH ENERGY IGNITION UNIT, GROUP<br>Spares for this group are identical with those for group Part No.EA1.81.3069 on page EC9   | 1          | —           |           |
| EA3.81.2467/2<br>or<br>EA3.81.6775 | . . . CABLE, ASSEMBLY, 12D, FROM J.B.12 TO E.S.1 GENERATOR, GROUP<br>Spares for this group are identical with those for group Part No.EA3.81.2461/2 on page EC7   | 1          | —           |           |
| EA3.81.6201                        | . . . CABLE, ASSEMBLY, E8 (Alt.R60/69) (Mod.5101)   | 1          | —           |           |

## ELECTRICAL

## ELECTRICAL EQUIPMENT IN STARBOARD WING

| Part Number                                | Description   | No. Off | Matl. Spec. | Plate No. |
|--|---|---------|-------------|-----------|
|  |   |         |             |           |
| R<br>EA3.81.2469/2<br>or<br>EA3.81.6777    | . . CABLE, ASSEMBLY, 12F, FROM J.B.12 TO OIL PRESSURE TRANSMITTER, GROUP<br>Spares for this group are identical with those for group Part No. EA3.81.2463/2 on page EC8 | 1       | -           |           |
| EA3.81.3057                                | . . CABLE, ASSEMBLY, E8, FROM EARTH CONNECTION TO J.B.8, GROUP<br>Spares for this group are identical with those for group Part No. EB6.81.527 on page EC4              | 1       | -           |           |
| R<br>EA3.81.6455<br>or<br>R<br>EA3.81.6755 | . . CABLE, ASSEMBLY, 12M1, CONNECTION BETWEEN FIRE DETECTORS, GROUP<br>Spares for this group are identical with those for group Part No. EA3.81.6441 on page EC9        | 1       | -           |           |
| R<br>EA3.81.6457<br>or<br>R<br>EA2.81.6757 | . . CABLE, ASSEMBLY, 12M2, CONNECTION BETWEEN FIRE DETECTORS, GROUP<br>Spares for this group are identical with those for group Part No. EA3.81.6443 on page EC9        | 1       | -           |           |
| R<br>EA3.81.6459<br>or<br>R<br>EA3.81.6759 | . . CABLE, ASSEMBLY, 12M3, CONNECTION BETWEEN FIRE DETECTORS, GROUP<br>Spares for this group are identical with those for group Part No. EA3.81.6445 on page EC9        | 1       | -           |           |
| R<br>EA3.81.6461<br>or<br>R<br>EA3.81.6761 | . . CABLE, ASSEMBLY, 12R1, CONNECTION BETWEEN FIRE DETECTORS, GROUP<br>Spares for this group are identical with those for group Part No. EA3.81.6445 on page EC9        | 1       | -           |           |
| R<br>EA3.81.6463<br>or<br>R<br>EA3.81.6763 | . . CABLE, ASSEMBLY, 12R2, CONNECTION BETWEEN FIRE DETECTORS, GROUP<br>Spares for this group are identical with those for group Part No. EA3.81.6447 on page EC10       | 1       | -           |           |
| R<br>EA3.81.6465<br>or<br>R<br>EA3.81.6765 | . . CABLE, ASSEMBLY, 12R3, CONNECTION BETWEEN FIRE DETECTORS, GROUP<br>Spares for this group are identical with those for group Part No. EA3.81.6449 on page EC10       | 1       | -           |           |

## ELECTRICAL

## ELECTRICAL EQUIPMENT IN STARBOARD WING

| Part Number                      | 1 2 3 4 5 6 | Description  | No.<br>Off | Matl. Spec. | Plate No. |
|----------------------------------|-------------|--|------------|-------------|-----------|
|                                  |             |  |            |             |           |
| EA3.81.6467<br>or<br>EA3.81.6767 | . .         | CABLE, ASSEMBLY, 12A, 12B, 12K AND 12M<br>FROM J.B.12 TO FUEL PUMP<br>SOLENOID FIRE DETECTORS AND<br>ENGINE STARTER RELAY, GROUP<br>Spares for this group are identical with<br>those for group Part No. EA3.81.6451 on<br>page EC10 | 1          | -           |           |
| EA3.81.6469<br>or<br>EA3.81.6769 | . .         | CABLE, ASSEMBLY, 12R, FROM J.B.12 TO<br>FIRE DETECTOR, GROUP<br>Spares for this group are identical with<br>those for group Part No. EA3.81.6453 on<br>page EC11   | 1          | -           |           |
| EA3.04.11991                     | . .         | CABLE, ASSEMBLY, 8L, FROM J.B.8 TO HIGH<br>ENERGY IGNITION UNIT, GROUP<br>Spares for this group are identical with<br>those for group Part No. EA3.04.11989 on<br>page EC11  | 1          | -           |           |
| EG7.81.522                       | . .         | CABLE, ASSEMBLY, P.462, FROM<br>STARBOARD AIR SHUT-OFF<br>ACTUATOR TO STARBOARD<br>ALTERNATOR T/B, GROUP<br>Spares for this group are identical with<br>those for group Part No. EG7.81.521 on<br>page EC11                          | 1          | -           |           |
| EG7.81.526                       | . .         | CABLE, ASSEMBLY, S.450, FROM WING<br>ROOT BREAK TO WING TIP BREAK,<br>GROUP<br>Spares for this group are identical with<br>those for group Part No. EG7.81.525 on<br>page EC12   | 1          | -           |           |
| EG7.81.538                       | . .         | CABLE, ASSEMBLY, S.457, FROM<br>STARBOARD CONTROL AND<br>PROTECTION UNIT TO<br>STARBOARD ALTERNATOR BAY<br>TERMINAL BLOCK, GROUP<br>Spares for this group are identical with<br>those for group Part No. EG7.81.537 on<br>page EC13  | 1          | -           |           |
| EG7.81.550                       | . .         | CABLE, ASSEMBLY, S.467, FROM<br>STARBOARD CONTROL AND<br>PROTECTION UNIT TO<br>STARBOARD ALTERNATOR<br>TERMINAL BLOCK, GROUP<br>Spares for this group are identical with<br>those for group Part No. EG7.81.549 on<br>page EC13      | 1          | -           |           |

AP101B-0417-3A

## ELECTRICAL

## ELECTRICAL EQUIPMENT IN STARBOARD WING

| Part Number   | Description   | No. Off | Mtl. Spec. | Plate No. |
|---------------|---|---------|------------|-----------|
|               |   |         |            |           |
| EG7.81.566    | . . . CABLE, ASSEMBLY, S470, FROM STARBOARD EARTH POINT E20 TO STARBOARD ALTERNATOR MAIN TERMINAL BLOCK, GROUP<br>Spares for this group are identical with those for group Part No. EG7.81.565 on page EC14           | 1       | -          |           |
| EG7.81.568    | . . . CABLE, ASSEMBLY, S471, FROM STARBOARD ALTERNATOR BAY TERMINAL BLOCK TO STARBOARD ALTERNATOR EARTH POINT E20, GROUP<br>Spares for this group are identical with those for group Part No. EG7.81.567 on page EC14 | 1       | -          |           |
| EG7.81.1818   | . . . CABLE, ASSEMBLY, S461, FROM STARBOARD RESET ACTUATOR TO STARBOARD ALTERNATOR BAY T/B, GROUP<br>Spares for this group are identical with those for group Part No. EG7.81.1816 on page EC14                       | 1       | -          |           |
| EG7.81.1850   | . . . CABLE, ASSEMBLY, S472, FROM CONTROL AND PROTECTION UNIT TO TEST SOCKET, BRACKET, GROUP<br>Spares for this group are identical with those for group Part No. EG7.81.1849 on page EC15                            | 1       | -          |           |
| EG7.81.1854   | . . . CABLE, ASSEMBLY, S458, FROM STARBOARD CONTROL AND PROTECTION UNIT TO STARBOARD ALTERNATOR BAY T/B, GROUP<br>Spares for this group are identical with those for group Part No. EG7.81.1853 on page EC15          | 1       | -          |           |
| EG7.81.1856   | . . . CABLE, ASSEMBLY, S468, FROM STARBOARD ALTERNATOR BAY T/B TO ALTERNATOR TEST SOCKET, GROUP<br>Spares for this group are identical with those for group Part No. EG7.81.1855 on page EC16                         | 1       | -          |           |
| EG7.81.1858   | . . . CABLE, ASSEMBLY, S455, FROM MAIN CONTACTOR PANEL TO CONTROL AND PROTECTION UNIT, GROUP<br>Spares for this group are identical with those for group Part No. EG7.81.1857 on page EC16                            | 1       | -          |           |
| EG7.81.3551   | . . . CABLE, ASSEMBLY, 8KL, FROM J88 TO FUSES 158 AND 159 (MOD 4797)<br>Consisting of:--  | 1       | -          |           |
| R UNTERSIL 12 | . . . . CABLE, unifersil 12   | QR      | -          |           |
| R UNTERSIL 16 | . . . . CABLE, unifersil 16   | QR      | -          |           |
| Z22432        | . . . . GROMMET   | 1       | -          |           |
| EEAS146/16    | . . . . SLEEVE, 3/4" long   | QR      | -          |           |
| EEAS146/2     | . . . . SLEEVE, 1.1/4" long   | QR      | -          |           |
| EEAS146/2     | . . . . SLEEVE, 1" long   | QR      | -          |           |
| EEAS146/6     | . . . . SLEEVE, 1/4" long   | QR      | -          |           |
| EEAS146/12    | . . . . SLEEVE, 3/4" long   | QR      | -          |           |
| HC314A        | . . . . TAG, ring tongue  | 3       | -          |           |
| HC304         | . . . . TAG, ring tongue  | 2       | -          |           |
| HC510         | . . . . TAG, quick release  | 1       | -          |           |
| HC500         | . . . . TAG, quick release  | 2       | -          |           |

## ELECTRICAL

## ELECTRICAL EQUIPMENT IN STARBOARD WING

| Part Number | 1 2 3 4 5 6 | Description  | No.<br>Off | Mati. Spec. | Plate No. |
|-------------|-------------|--|------------|-------------|-----------|
|             |             |  |            |             |           |
| EG7.81.2026 | . .         | CABLE, ASSEMBLY, S469, FROM HYDRAULIC SERVO TO FREQUENCY CONTROL UNIT, GROUP<br>Spares for this group are identical with those for group Part No. EG7.81.2025 on page EC17                     | 1          | -           |           |
| EG7.81.2028 | . .         | CABLE, ASSEMBLY, S469, FROM STARBOARD O/SPEED SWITCH TO STARBOARD ALTERNATOR BAY T/B, GROUP<br>Spares for this group are identical with those for group Part No. EG7.81.2027 on page EC17      | 1          | -           |           |
| EG7.81.2130 | . .         | CABLE, ASSEMBLY, S475, FROM THERMOSTAT INBOARD RIB 3 TO DC T/B INBOARD RIB 3A, GROUP<br>Spares for this group are identical with those for group Part No. EG7.81.2129 on page EC18             | 1          | -           |           |
| EG7.81.2132 | . . .       | CABLE, ASSEMBLY, S464, FROM STARBOARD CONTROL AND PROTECTION UNIT TO STARBOARD ALTERNATOR, GROUP<br>Spares for this group are identical with those for group Part No. EG7.81.2131 on page EC18 | 1          | -           |           |
| EG7.81.2134 | . .         | CABLE, ASSEMBLY, S465, FROM STARBOARD CONTROL AND PROTECTION UNIT TO ALTERNATOR, GROUP<br>Spares for this group are identical with those for group Part No. EG7.81.2133 on page EC18           | 1          | -           |           |
| EG7.81.2136 | . .         | CABLE, ASSEMBLY, S466, FROM STARBOARD CONTROL AND PROTECTION UNIT TO STARBOARD ALTERNATOR, GROUP<br>Spares for this group are identical with those for group Part No. EG7.81.2135 on page EC19 | 1          | -           |           |
| EG7.81.2751 | . .         | CABLE, ASSEMBLY, S456, FROM STARBOARD WING ROOT TO STARBOARD ALTERNATOR, GROUP<br>Spares for this group are identical with those for group Part No. EG7.81.2752 on page EC19                   | 1          | -           |           |

## ELECTRICAL EQUIPMENT IN STARBOARD WING

| Part Number      | Description   | No. Off | Matl. Spec. | Plate No. |
|------------------|---|---------|-------------|-----------|
|                  |   |         |             |           |
| EG7.81.3593      | . . . CABLE, ASSEMBLY, 1085, FROM WING TERMINAL BLOCK TO FILTER BOX, GROUP (Mod.4936)     | 1       | -           |           |
| UNINYVIN 20      | . . . CABLE, uninyvin 20  | QR      | -           |           |
| SP93/A6          | . . . GROMMET   | 2       | -           |           |
| EEAS146/12       | . . . SLEEVE, 3/4" long   | QR      | -           |           |
| EEAS146/20       | . . . SLEEVE, 3/4" long   | QR      | -           |           |
| EEAS146/12       | . . . SLEEVE, 1" long   | QR      | -           |           |
| EEAS146/20       | . . . SLEEVE, 1" long   | QR      | -           |           |
| EEAS146/12       | . . . SLEEVE, 1-1/2" long   | QR      | -           |           |
| HELLERMANN HC294 | . . . TAG, ring tongue, 4BA   | 5       | -           |           |
| HELLERMANN HC292 | . . . TAG, ring tongue, 2BA   | 1       | -           |           |
| EG7.81.3015      | . . . CABLE, ASSEMBLY, 8F, FROM JB8 TO FIRE EXTINGUISHER BOTTLE, GROUP<br>Consisting of:- | 1       | -           |           |
| UNINYVIN 20      | . . . CABLE, uninyvin 20  | QR      | -           |           |
| 508/1/07776/003  | . . . CLAMP, cable  | 1       | -           |           |
| EEAS274          | . . . FERRULE, assembly   | 1       | -           |           |
| 508/2/07719/200  | . . . GASKET, union   | 1       | -           |           |
| Z22430           | . . . GROMMET, No.2   | 2       | -           |           |
| 508/2/07708/200  | . . . RING, sealing   | 1       | -           |           |
| 508/2/07752/007  | . . . RING, thrust  | 1       | -           |           |
| Z49428           | . . . SLEEVE, packing   | 2       | -           |           |
| EEAS146/12       | . . . SLEEVE, 1" long   | QR      | -           |           |
| EEAS146/20       | . . . SLEEVE, 1" long   | QR      | -           |           |
| EEAS146/12       | . . . SLEEVE, 1-1/2" long   | QR      | -           |           |
| 508/1/03986      | . . . SOCKET, 2-way   | 1       | -           |           |
| HC490            | . . . TAG, quick release  | 2       | -           |           |

## ELECTRICAL

## ELECTRICAL EQUIPMENT IN PORT WING

| Part Number         | Description   | No.<br>Off | Matl. Spec. | Plate No. |
|---------------------|---|------------|-------------|-----------|
|                     |   |            |             |           |
| EG7.81.3591         | . . . CABLE, ASSEMBLY, 10B4, FROM WING TERMINAL<br>BLOCK TO FILTER BOX, GROUP<br>(Mod.4936)<br>Spares for:— | 1          | —           |           |
| UNINYVIN 20         | . . . CABLE, uninyvin 20  | QR         | —           |           |
| SP93/A6             | . . . GROMMET   | 3          | —           |           |
| EEAS146/6           | . . . SLEEVE, 1/2" long   | 1          | —           |           |
| EEAS146/20          | . . . SLEEVE, 3/4" long   | 4          | —           |           |
| EEAS146/6           | . . . SLEEVE, 1" long   | 2          | —           |           |
| EEAS146/20          | . . . SLEEVE, 1" long   | 3          | —           |           |
| EEAS146/6           | . . . SLEEVE, 1-1/4" long   | 1          | —           |           |
| HELLERMANN<br>HC294 | . . . TAG, ring tongue, 4BA   | 5          | —           |           |
| HELLERMANN<br>HC292 | . . . TAG, ring tongue, 2BA   | 1          | —           |           |
| Z13031              | . . . CAP, protective   | 1          | —           |           |
| EA3.04.11193        | . . . LEAD, HT ignition   | 1          | —           |           |
| EA3.04.11195        | . . . LEAD, HT ignition   | 1          | —           |           |

ELECTRICAL

ELECTRICAL EQUIPMENT IN STARBOARD WING

| Part Number | Description<br>1 2 3 4 5 6 | No.<br>Off | Matl. Spec. | Plate No. |
|-------------|----------------------------|------------|-------------|-----------|
|             |                            |            |             |           |

## ELECTRICAL

## ELECTRICAL EQUIPMENT IN STARBOARD WING

| Part Number     | Description   | No. Off | Matl. Spec. | Plate No. |
|-----------------|---|---------|-------------|-----------|
|                 |   |         |             |           |
| —               | . LOOMS, CABLE, INSTRUMENT, ASSEMBLY (EG7.81.1642)<br>Consisting of:  | —       | —           |           |
| EG7.81.595      | . . CABLE, ASSEMBLY, D1A-1, FROM J.B. COMPASS G4B<br>TO DETECTOR UNIT CONNECTION, GROUP<br>(Make from EA3.81.917, Ref.9727)<br>Consisting of: | 1       | —           |           |
| R 5F/           | . . . BRAIDING, metal (Plessey spec. 135)   | QR      | —           |           |
| R UNIPREN 4     | . . . CABLE, unipren 4  | QR      | —           |           |
| EEAS111/3       | . . . FERRULE   | 1       | —           |           |
| 508/2/07706/200 | . . . GASKET, outlet  | 1       | —           |           |
| 508/1/07624/003 | . . . OUTLET, straight  | 1       | —           |           |
| Z18501/Z        | . . . RING, clamp   | 1       | —           |           |
| 508/2/07709/200 | . . . RING, sealing   | 1       | —           |           |
| EEAS146/E       | . . . SLEEVE, 1" long   | QR      | —           |           |
| EEAS146/20      | . . . SLEEVE, 3/4" long   | QR      | —           |           |
| EEAS146/2       | . . . SLEEVE, 1" long   | QR      | —           |           |
| 508/1/40009/320 | . . . SOCKET  | 1       | —           |           |
| HC490           | . . . TAG, quick release  | 12      | —           |           |
| EA3.81.919      | . . CABLE, ASSEMBLY, D1B-D1A, FROM WING ROOT<br>CONNECTION TO J.B. COMPASS G4B,<br>GROUP<br>Consisting of:                                    | 1       | —           |           |
| R 5F/           | . . . BRAIDING, metal (Plessey spec. 135)   | QR      | —           |           |
| R UNIPREN 4     | . . . CABLE, unipren 4  | QR      | —           |           |
| EEAS111/3       | . . . FERRULE   | 1       | —           |           |
| 508/2/07706/200 | . . . GASKET, outlet  | 1       | —           |           |
| 508/1/07624/003 | . . . OUTLET, straight  | 1       | —           |           |
| 508/1/40029/320 | . . . PLUG, assembly  | 1       | —           |           |
| Z18501/Z        | . . . RING, clamp   | 1       | —           |           |
| 508/2/07709/200 | . . . RING, sealing   | 1       | —           |           |
| EEAS146/A       | . . . SLEEVE, 3/4" long   | QR      | —           |           |
| EEAS146/A1      | . . . SLEEVE, 3/4" long   | QR      | —           |           |
| EEAS146/G       | . . . SLEEVE, 1" long   | QR      | —           |           |
| EEAS146/H       | . . . SLEEVE, 1" long   | QR      | —           |           |
| Z19925          | . . . TAG, quick release  | 12      | —           |           |
| Z19980          | . . . THIMBLE, quick release  | 12      | —           |           |
| —               | . METER, FATIGUE, INSTALLATION (EG7.80.1501)<br>Spares for:   | —       | —           | 47/10     |
| EG7.80.1503     | . . BRACKET, mounting<br>Attaching parts for EG7.80.1503:   | 1       | L72         | 47/12     |
| A25/2C          | . . Bolt, 2BA hex. head   | 9       | —           | 47/13     |
| SP16/C          | . . Washer, 2BA plain   | 9       | —           | 47/14     |

## ELECTRICAL

## ELECTRICAL EQUIPMENT IN STARBOARD WING

| Part Number                      | Description  | No. Off | Matl. Spec. | Plate No. |   |
|----------------------------------|--|---------|-------------|-----------|---|
|                                  |  |         |             |           | 1 |
| 6A/4664238                       | . . . METER, fatigue, R.A.E., type 13  | 1       | -           | 47/11     |   |
| -                                | . . . WIRING IN MAIN UNDERCARRIAGE, ASSEMBLY<br>(EA1.81.24)<br>Spares for:-      | -       | -           | 48/11     |   |
| 72541-023-0                      | . . . BLOCK, terminal (Mod 5466)<br>Attaching parts for 72541-023-0:-            | 1       | -           | 60/1      |   |
| AGS2002/B/1                      | . . . Nut, stiff, 4 BA   | 2       | -           | 60/2      |   |
| 36765-502-0                      | . . . Pillar, fixing   | 2       | -           | 60/3      |   |
| SP10/B                           | . . . Washer   | 2       | -           | 60/4      |   |
| 72541-023-0                      | . . . BLOCK, terminal (Mod 5466)<br>Attaching parts:-                            | 1       | -           | 60/5      |   |
| 36765-502-0                      | . . . Pillar, fixing   | 2       | -           | 60/6      |   |
| EA1.20.1245                      | . . . BOLT, special, 2 BA  | 2       | -           | 48/16     |   |
| A25/7B                           | . . . BOLT, 4 BA, at uplock position only (Com. Mod 0443)                        | 2       | -           |           |   |
| EG7.81.5371                      | . . . BRACKET, assembly (Mod 5466)<br>Spares for:-                               | 1       | -           | 60/7      |   |
| EG7.81.5477                      | . . . BRACKET  | 1       | -           | 60/8      |   |
| AGS2018/B/1                      | . . . NUT, anchor, 4 BA  | 2       | -           | 60/9      |   |
| AGS3180/4B                       | . . . CLIP, 'P' (Com. Mod 0443)  | 1       | -           |           |   |
| 41851-823-0                      | . . . COVER (Mod 5466)   | 2       | -           | 60/10     |   |
| AGS2008/B/1                      | . . . NUT, anchor, 4 BA  | 2       | -           | 60/11     |   |
| AGS2001/B/1                      | . . . NUT, stiff, 4 BA (Com. Mod 0443)   | 1       | -           |           |   |
| A27/CP                           | . . . NUT, 2 BA  | 2       | -           |           |   |
| CM0443 FIG.1                     | . . . PLATE, support (Com. Mod 0443)   | 1       | -           |           |   |
| A32/B16                          | . . . SCREW, 4 BA (Com. Mod 0443)  | 1       | -           |           |   |
| R DN1322Z MK.3                   | . . . SWITCH, micro, undercarriage down lock<br>(Mod 4959) Preferred alternative | 2       | -           | 48/31     |   |
| DN1322Z MK.3                     | . . . SWITCH, micro, undercarriage up lock (Mod 4958)                            | 1       | -           | 48/17     |   |
| AGS2035/C                        | . . . WASHER, shakeproof   | 2       | -           |           |   |
| SP13/B                           | . . . WASHER, plain (Com. Mod 0443)  | 2       | -           |           |   |
| -                                | . . . WIRING, RIB 2-2B, OUTER WING, ASSEMBLY (EA3.81.1664)<br>Spares for:-       | -       | -           | 47/9      |   |
| EA3.81.1537                      | . . . BOX, JUNCTION, GB4, GROUP<br>Spares for:-                                  | 1       | -           | 47/2      |   |
| EA3.81.1539                      | . . . BOX, junction  | 1       | -           | 47/3      |   |
| EA3.81.1543                      | . . . LID, assembly  | 1       | -           | 47/4      |   |
| -                                | . . . WIRING AND CLIPPING IN ALTERNATOR BAY<br>(EG7.81.1647)<br>Spares for:-     | -       | -           | 48/20     |   |
| WARD BROOKE<br>WB/UN/1146/S/10W  | . . . BLOCK, terminal, 10-way<br>Attaching parts for WB/UN/1146/S/10/W           | 1       | -           | 48/7      |   |
| A25/3B                           | . . . Bolt, 4 BA hex. head   | 2       | -           | 48/4      |   |
| SP13/B                           | . . . Washer, 4 BA plain   | 2       | -           | 48/5      |   |
| WARD BROOKE<br>WB/UN/1146/D/10/W | . . . BLOCK, terminal, 20-way<br>Attaching parts for WB/UN/1146/D/10/W           | 1       | -           | 48/2      |   |
| AGS2001/B/1                      | . . . Nut, stiff, 4 BA   | 2       | -           | 48/8      |   |
| WARD BROOKE<br>WB/1114/2B        | . . . Pillar, fixing   | 2       | -           | 48/11     |   |
| SP13/B                           | . . . Washer, 4 BA plain   | 2       | -           | 48/10     |   |
| EG7.81.481                       | . . . CLIP, assembly<br>Attaching parts for EG7.81.481:-                         | 6       | -           | 48/12     |   |
| A25/1B                           | . . . Bolt, 4 BA hex. head   | 2       | -           | 48/13     |   |
| EEAS238/1A                       | . . . Washer, 'D'  | 2       | L72         | 48/9      |   |

## ELECTRICAL

## ELECTRICAL EQUIPMENT IN STARBOARD WING

| Part Number       | Description  | No. Off | Mati. Spec. | Plate No. |
|-------------------|--|---------|-------------|-----------|
|                   |  |         |             |           |
| R ROTAX U7703     | . . CONTROL and protection unit<br>Attaching parts: -    | 1       | -           | 48/19     |
| R A25/4E          | . . Bolt, 1/4" BSF                                       | 2       | -           | 48/28     |
| R SP13/E          | . . Washer, plain  | 2       | -           | 48/29     |
| R WB/NY/1110/B/10 | . . COVER, terminal block                                | 1       | -           | 48/3      |
| R EG7.81.2097     | . . COVER, terminal block<br>Attaching parts: -          | 1       | -           | 48/6      |
| R A25/4B          | . . Bolt, 4 BA   | 2       | -           | 48/1      |
| R CPS3 Mk.4       | . . FREQUENCY control unit                               | 1       | -           | 48/14     |
| AS2697            | . . LUG, adapter, 4-way<br>Attaching parts for AS2697: - | 1       | -           | 48/25     |
| EB2.81.2285       | . . Bolt, 5/16" special                                  | 1       | -           | 48/23     |
| EG7.81.483        | . . Nut, 5/16" special (Make from A14/GB)                | 2       | -           | 48/26     |
| AGS2001/G/1       | . . Nut, stiff, 5/16" BSF                                | 1       | -           | 48/30     |
| SP13/G            | . . Washer, 5/16" BSF plain                              | 4       | -           | 48/29     |
| EEAS28/23ERH      | . . Washer, 'D'  | 1       | L72         | 48/24     |
| 101401            | . . MOUNTING, frequency control unit                     | 1       | -           | 48/15     |

## ELECTRICAL

## ELECTRICAL EQUIPMENT OUTBOARD OF RIB 8, PORT WING

| Part Number   | Description  | No. Off | Matl. Spec. | Plate No. |
|---------------|--|---------|-------------|-----------|
|               |  |         |             |           |
| -             | ELECTRICAL EQUIPMENT OUTBOARD OF RIB 8,<br>PORT WING, ASSEMBLY (EG7.81.93)<br>Spares for:- | -       | -           | 49/11     |
| R 1240        | . BLOCK, terminal, type 'B', 2-way, No. 1  | 1       | -           | 49/3      |
| R AGS2001/A/1 | . Attaching parts for 1240   |         |             |           |
| A33/A20       | . Nut, stiff, 6BA  | 2       | -           | 49/7      |
| SP13/A        | . Screw, 6BA c'sk head   | 2       | -           | 49/9      |
|               | . Washer, 6BA plain  | 2       | -           | 49/2      |
| R E&I7049     | . BLOCK, terminal 'B', 5-way, No. 1  | 1       | -           | 49/1      |
| R A33/A20     | . Attaching parts for E&I7049  |         |             |           |
|               | . Screw, 6BA c'sk head   | 2       | -           | 49/4      |
| EA1.81.1047   | . BLOCK, contact, assembly   | 1       | -           | 49/23     |
| EG7.81.2945   | . BOX, filter, potted, assembly  | 1       | -           | 49/21     |
|               | . Attaching parts for EG7.81.2945:-  |         |             |           |
| A25/ 1/2 B    | . Bolt, 4BA hex. head  | 2       | -           | 49/20     |
| SP13/B        | . Washer, 4BA plain  | 2       | -           | 49/19     |
| EG7.81.2983   | . BOX, filter, potted, assembly  | 1       | -           | 49/22     |
|               | . Attaching parts for EG7.81.2983:   |         |             |           |
| A25/ 1/2 B    | . Bolt, 4BA hex. head  | 2       | -           | 49/20     |
| SP13/B        | . Washer, 4BA plain  | 2       | -           | 49/19     |
| R UNINYVIN 20 | . CABLE, uninyvin 20   | QR      | -           | 49/24     |
| SP93/B8       | . GROMMET  | 2       | -           | 49/18     |
| EA3.81.6715   | . LABEL (Mod.4936)   | 1       | -           | 49/13     |
| R EG7.81.3977 | . PLATE, base, assembly (Mod.5208)   | 1       | -           | 49/25     |
|               | . Spares for:-   |         |             |           |
| R WELWYN MD1  | . . CLIP, spring   | 4       | -           | 49/34     |
| R A54/B       | . . NUT, 4BA thin  | 8       | -           | 49/31     |
| R A33/B20     | . . SCREW, 4BA c'sk head   | 4       | -           | 49/32     |
| R EG7.81.3979 | . PLATE, base, assembly (Mod.5208)   | 1       | -           | 49/26     |
|               | . Spares for:-   |         |             |           |
| R WELWYN MD1  | . . CLIP, spring   | 2       | -           | 49/34     |
| R A54/B       | . . NUT, 4BA thin  | 4       | -           | 49/33     |
| R A33/B20     | . . SCREW, 4BA c'sk head   | 2       | -           | 49/30     |

## ELECTRICAL

## ELECTRICAL EQUIPMENT OUTBOARD OF RIB 8, PORT WING

| Part Number  | Description<br>1 2 3 4 5 6  | No.<br>Off               | Matl. Spec.           | Plate No.                                 |
|--|---|--------------------------|-----------------------|---|
| 10W/0241026<br>EEAS146/20<br>NY18007A<br>NY3342<br>HC294 | <ul style="list-style-type: none"> <li>. RESISTOR (Mod.5208), 15 ohms, 25 watts, Welwyn Type 1602</li> <li>. SLEEVE, 3/4" long</li> <li>. STRAP, nylon</li> <li>. STUD, nylon</li> <li>. TAG, ring tongue (Mod.4063)</li> </ul> | 3<br>QR<br>QR<br>QR<br>6 | -<br>-<br>-<br>-<br>- | 49/27<br>49/8<br>49/29<br>49/28<br>49/5   |
| -  | <ul style="list-style-type: none"> <li>. TERMINAL, EARTHING POINT, ASSEMBLY</li> </ul>  | -                        | -                     |   |
| A54/C<br>AGS2001/C/1<br>A31/C40<br>SP124C<br>SP25/C      | <ul style="list-style-type: none"> <li>Spares for:-</li> <li>. NUT, 2BA brass</li> <li>. NUT, stiff, 2BA</li> <li>. SCREW, cheese head, 2BA</li> <li>. WASHER, 2BA</li> <li>. WASHER, 2BA brass</li> </ul>                      | 2<br>1<br>1<br>1<br>2    | -<br>-<br>-<br>-<br>- | 49/15<br>49/16<br>49/14<br>49/10<br>49/17 |

## ELECTRICAL

## ELECTRICAL EQUIPMENT OUTBOARD OF RIB 8, STARBOARD WING

| Part Number                       | Description  | No. Off | Matl. Spec. | Plate No. |   |
|-----------------------------------|--|---------|-------------|-----------|---|
|                                   |  |         |             |           | 1 |
| -                                 | ELECTRICAL EQUIPMENT, OUTBOARD OF RIB 8,<br>STARBOARD WING, ASSEMBLY (EG7.81.94)<br>Spares for:- | -       | -           | 49/12     |   |
| R E&I 7049                        | . BLOCK, terminal, type 'B', 5-way, No. 1  | 1       | -           | 49/1      |   |
| R A33/A20                         | . Attaching parts for E&I 7049<br>. Screw, 6BA c'sk head   | 2       | -           | 49/4      |   |
| EA1.81.1047                       | . BLOCK, contact, assembly   | 1       | -           | 49/23     |   |
| EG7.81.2945                       | . BOX, filter, potted, assembly<br>Attaching parts for EG7.81.2945:-                             | 1       | -           | 49/21     |   |
| A25 <sup>1</sup> / <sub>2</sub> B | . Bolt, 4BA hex. head  | 2       | -           | 49/20     |   |
| SP13/B                            | . Washer, 4BA plain  | 2       | -           | 49/19     |   |
| EG7.81.2983                       | . BOX, filter, potted, assembly<br>Attaching parts for EG7.81.2983:-                             | 1       | -           | 49/22     |   |
| A25 <sup>1</sup> / <sub>2</sub> B | . Bolt, 4BA hex. head  | 2       | -           | 49/20     |   |
| SP13/B                            | . Washer, 4BA plain  | 2       | -           | 49/19     |   |
| R UNINYVIN 20                     | . CABLE, uninyvin 20   | QR      | -           | 49/24     |   |
| SP93/B8                           | . GROMMET  | 2       | -           | 49/18     |   |
| EA3.81.6715                       | . LABEL  | 1       | -           | 49/13     |   |
| R EG7.81.3977                     | . PLATE, base, assembly (Mod.5208)<br>Spares for:-   | 1       | -           | 49/25     |   |
| R WELWYN MD1                      | . . CLIP, spring   | 4       | -           | 49/34     |   |
| R A54/B                           | . . NUT, 4BA thin  | 8       | -           | 49/31     |   |
| R A33/B20                         | . . SCREW, 4BA c'sk head   | 4       | -           | 49/32     |   |
| R EG7.81.3979                     | . PLATE, base, assembly (Mod.5208)<br>Spares for:-   | 1       | -           | 49/26     |   |
| R WELWYN MD1                      | . . CLIP, spring   | 2       | -           | 49/34     |   |
| R A54/B                           | . . NUT, 4BA thin  | 4       | -           | 49/33     |   |
| R A33/B20                         | . . SCREW, 4BA c'sk head   | 2       | -           | 49/30     |   |

## ELECTRICAL

## ELECTRICAL EQUIPMENT OUTBOARD OF RIB 8, STARBOARD WING

| Part Number | Description  | No.<br>Off | Matl. Spec. | Plate No. |
|-------------|--|------------|-------------|-----------|
|             |  |            |             |           |
| 10W/0241026 | . RESISTOR (Mod 5208), 15 ohms, 25 watts, Welwyn Type 1602 | 3          | —           | 49/27     |
| EEAS146/20  | . SLEEVE, 3/4" long  | QR         | —           | 49/8      |
| NY18007A    | . STRAP, nylon   | QR         | —           | 49/29     |
| NY3342      | . STUD, nylon  | QR         | —           | 49/28     |
| HC294       | . TAG, ring tongue (Mod 4063)                              | 6          | —           | 49/5      |
| —           | . TERMINAL, EARTHING POINT, ASSEMBLY                       | —          | —           |           |
|             | Spares for:—   |            |             |           |
| A54/C       | . . NUT, 2 BA brass  | 2          | —           | 49/15     |
| AGS2001/C/1 | . . NUT, stiff, 2 BA                                       | 1          | —           | 49/16     |
| A31/C40     | . . SCREW, cheese head, 2 BA                               | 1          | —           | 49/14     |
| SP124/C     | . . WASHER, 2 BA   | 1          | —           | 49/10     |
| SP25/C      | . . WASHER, 2 BA brass                                     | 2          | —           | 49/17     |

## ELECTRICAL

## ELECTRICAL EQUIPMENT IN PORT WING TIP

| Part Number   | Description   | No. Off | Mati. Spec. | Plate No. |
|---------------|---|---------|-------------|-----------|
|               |   |         |             |           |
| -             | ELECTRICAL EQUIPMENT IN PORT WING TIP, ASSEMBLY (EA3.81.5567)<br>Spares for:— | -       | -           | 50/10     |
| R 1240        | . BLOCK, terminal, type "B", 2-way, No 1<br>Attaching parts for 1240          | 1       | -           | 50/7      |
| A27/AP        | . Nut, 6BA plain  | 2       | -           | 50/5      |
| A33/A20       | . Screw, 6BA c'sk head  | 2       | -           | 50/6      |
| SP47/A        | . Washer, 6BA spring  | 2       | -           | 50/4      |
| EA1.81.125    | . LAMP, NAVIGATION, ASSEMBLY<br>Consisting of:—                               | 1       | -           | 50/24     |
| EA1.81.127    | . BRACKET, mounting   | 1       | L72         | 50/18     |
| R UNINYVIN 20 | . CABLE, uninyvin 20  | QR      | -           | 50/20     |
| R 5L/9952431  | . LAMP, filament, 28v, 24w  | 1       | -           | 50/23     |
| R 5CX/4330018 | . LAMP, type "B"  | 1       | -           | 50/21     |
| AGS2002/A/1   | . NUT, stiff, 6BA   | 4       | -           | 50/16     |
| R 5K/4346887  | . SLEEVE, binding, type "A"   | 2       | -           | 50/17     |
| R 5K/9107066  | . SLEEVE, binding, type "A"   | 2       | -           | 50/19     |
| A25/2C        | . Bolt, 2BA hex head  | 2       | -           | 50/12     |
| STD INSULATOR | . Grommet, rubber   | 2       | -           | 50/14     |
| SK/624/5051   | . Tube, distance  | 2       | L72         | 50/15     |
| AS2809/4/018  | . Washer  | 2       | L72         | 50/13     |
| EEAS28/20/ER  |   |         |             |           |
| R 5CX/4330060 | . LAMP, taxiing, type "A"<br>Attaching parts for 5CX/4330060:—                | 1       | -           | 50/8      |
| AGS2002/E/1   | . Nut, stiff, 1/4" BSF  | 2       | -           | 50/3      |
| EA3.20.3193   | . Washer  | 2       | -           | 50/2      |
| SP16/E        | . Washer, 1/4" BSF plain  | 2       | -           | 50/1      |
| R 5L/9952511  | . LAMP, filament, 24, 60w   | 1       | -           | 50/9      |

ELECTRICAL

ELECTRICAL EQUIPMENT IN PORT WING TIP

| Part Number | Description<br>1 2 3 4 5 6 | No.<br>Off | Matl. Spec. | Plate No. |
|-------------|----------------------------|------------|-------------|-----------|
|             |                            |            |             |           |

AP101B-0417-3A

## ELECTRICAL

## ELECTRICAL EQUIPMENT IN STARBOARD WING TIP

| Part Number   | Description  | No. Off | Mati. Spec. | Plate No. |
|---------------|--|---------|-------------|-----------|
|               |  |         |             |           |
| -             | ELECTRICAL EQUIPMENT IN STARBOARD WING TIP, ASSEMBLY (EA1.81.20)<br>Spares for:— | -       | -           | 50/11     |
| R 1240        | . BLOCK, terminal, type "B", 2-way, No 1<br>Attaching parts for 1240:—           | 1       | -           | 50/7      |
| A27/AP        | . Nut, 6BA plain   | 2       | -           | 50/5      |
| A33/A20       | . Screw, 6BA, c'sk head  | 2       | -           | 50/6      |
| SP47/A        | . Washer, 6BA spring   | 2       | -           | 50/4      |
| EA1.81.126    | . LAMP, NAVIGATION, ASSEMBLY<br>Consisting of:—                                  | 1       | -           | 50/25     |
| EA1.81.127    | . BRACKET, assembly  | 1       | L72         | 50/18     |
| R UNINYVIN 20 | . CABLE, uninyvin 20   | QR      | -           | 50/20     |
| R 5L/9952431  | . LAMP, filament, 28v, 24w   | 1       | -           | 50/23     |
| R 5CX/1043420 | . LAMP, type "B"   | 1       | -           | 50/22     |
| AGS2002/A/1   | . NUT, stiff, 6 BA   | 4       | -           | 50/16     |
| R 5K/4346887  | . SLEEVE, bonding, type "A"  | 1       | -           | 50/17     |
| R 5K/9107066  | . SLEEVE, bonding, type "A"  | 1       | -           | 50/19     |
|               | Attaching parts for EA1.81.126:—   |         |             |           |
| A25/2C        | . Bolt, 2BA hex head   | 2       | -           | 50/12     |
| GT INSULATOR  | . Grommet, rubber  | 2       | -           | 50/14     |
| SK/629/5051   |  |         |             |           |
| AS2809/4/018  | . Tube, distance   | 2       | L72         | 50/15     |
| EEAS28/20/ER  | . Washer   | 2       | L72         | 50/13     |
| R 5CX/4330060 | . LAMP, taxying, type "A"<br>Attaching parts for 5CX/4330060:—                   | 1       | -           | 50/8      |
| AGS2002/E/1   | . Nut, stiff, 1/4" BSF   | 2       | -           | 50/3      |
| EA3.20.3.193  | . Washer   | 2       | -           | 50/2      |
| SP16/E        | . Washer, 1/4" BSF plain   | 2       | -           | 50/1      |
| R 5L/9952511  | . LAMP, filament, 24v, 60w   | 1       | -           | 50/9      |

ELECTRICAL

ELECTRICAL EQUIPMENT IN STARBOARD WING TIP

| Part Number | Description<br>1 2 3 4 5 6 | No.<br>Off | Matl. Spec. | Plate No. |
|-------------|----------------------------|------------|-------------|-----------|
|             |                            |            |             |           |

## ELECTRICAL EQUIPMENT

| Part Number                  | Description   | No. Off | Matl. Spec. | Plate No. |
|------------------------------|---|---------|-------------|-----------|
|                              |   |         |             |           |
| -                            | LAMPS, ANTI-COLLISION, INSTALLATION (EA3.00.1011)   | -       | -           |           |
| R EG7.81.955                 | . CABLE, assembly, 6Q (Mod.4923)<br>Consisting of:  | 1       | -           | 52/1      |
| UNINYVIN 20                  | . . CABLE, UNINYVIN 20, type A  | QR      | -           |           |
| 508/1/07776/003              | . . CLAMP, cable  | 1       | -           |           |
| 508/2/07705/200              | . . GASKET, outlet  | 1       | -           |           |
| 508/2/07719/200              | . . GASKET, union   | 1       | -           |           |
| Z22431                       | . . GROMMET, tension, No.3 (Pre SAS4745)  | 1       | -           |           |
| HARBRO<br>RUBBER CO.<br>9226 | . . GROMMET (SAS4745)   | 1       | -           |           |
| 508/2/07648/003              | . . OUTLET, angle   | 1       | -           |           |
| 508/2/07708/200              | . . RING, sealing   | 1       | -           |           |
| 508/2/07752/007              | . . RING, thrust  | 1       | -           |           |
| EEAS146/6                    | . . SLEEVE, pink, 1½" long  | 13      | -           |           |
| EEAS146/6                    | . . SLEEVE, pink, 1" long   | 11      | -           |           |
| EEAS146/12                   | . . SLEEVE, pink, 1½" long  | 28      | -           |           |
| EEAS146/12                   | . . SLEEVE, pink, 1" long   | 3       | -           |           |
| EEAS146/20                   | . . SLEEVE, pink, 3/4" long   | 14      | -           |           |
| 508/1/40001/320              | . . SOCKET, free  | 1       | -           |           |
| HC490                        | . . TAG, quick release  | 7       | -           |           |
| -                            | . LAMP AND FLASHER UNIT, UPPER, ANTI-COLLISION,<br>INSTALLATION (EB6.81.10339) (Pre SAS4745)<br>Spares for: | -       | -           | 52/2      |
| THORN<br>FNL50               | . . LAMP, navigation  | 1       | -           | 52/3      |
| 5L/9952445                   | . . LAMP, filament, 28V, 40W  | 1       | -           | 52/4      |
| EB6.81.10345                 | . . RING, packing   | 1       | BS2572      | 52/5      |
| 5CZ/1044107                  | . . UNIT, flasher, type A   | 1       | -           | 52/6      |
| A31/C24                      | Attaching parts for 5CZ/1044107:  |         |             |           |
| AS2299/025                   | . . Screw, 2BA, cheese head   | 4       | -           | 52/7      |
| SP13/C                       | . . Tube, distance  | 4       | -           | 52/8      |
|                              | . . Washer, 2BA plain   | 4       | -           | 52/9      |
| -                            | . LAMP, UPPER, ANTI-COLLISION, INSTALLATION<br>(EA4.81.6501) (SAS4745)<br>Spares for:                       | -       | -           | 52/2A     |
| G8400-8-24                   | . . LAMP, anti-collision (Attachment screws supplied with lamp)   | 1       | -           | 52/2B     |
| -                            | . LAMP, ANTI-COLLISION, LOWER, INSTALLATION<br>(EB6.81.10355) (Pre SAS4745)<br>Spares for:                  | -       | -           | 52/10     |
| EB6.81.10363                 | . . COVER   | 1       | -           | 52/11     |
| THORN<br>FNL50               | . . LAMP, navigation  | 1       | -           | 52/12     |
| 5L/9952445                   | . . LAMP, filament, 28V, 40W  | 1       | -           | 52/13     |
| EB6.81.10345                 | . . RING, packing   | 1       | BS2572      | 52/14     |

## ELECTRICAL EQUIPMENT

| Part Number   | Description   | No.<br>Off | Matl. Spec. | Plate No. |
|---------------|---|------------|-------------|-----------|
|               |   |            |             |           |
| R -           | . LAMP, LOWER, ANTI-COLLISION, INSTALLATION<br>(EA4.81.6503) (SAS4745)<br>Spares for: | -          | -           | 52/15     |
| R CFU24775    | . . GUARD (Com.Mod.0385-Mod.4923)<br>Attaching parts for CFU24775:                    | 1          | -           | 52/16     |
| R A25/1C      | . . Bolt, 2BA   | 4          | -           | 52/17     |
| R AGS2007/C/1 | . . Nut, anchor, 2BA  | 2          | -           | 52/18     |
| R AGS2018/C/1 | . . Nut, anchor, 2BA  | 2          | -           | 52/19     |
| R G8400-8-24  | . . LAMP, anti-collision (Attachment screws supplied with lamp)                       | 1          | -           | 52/20     |

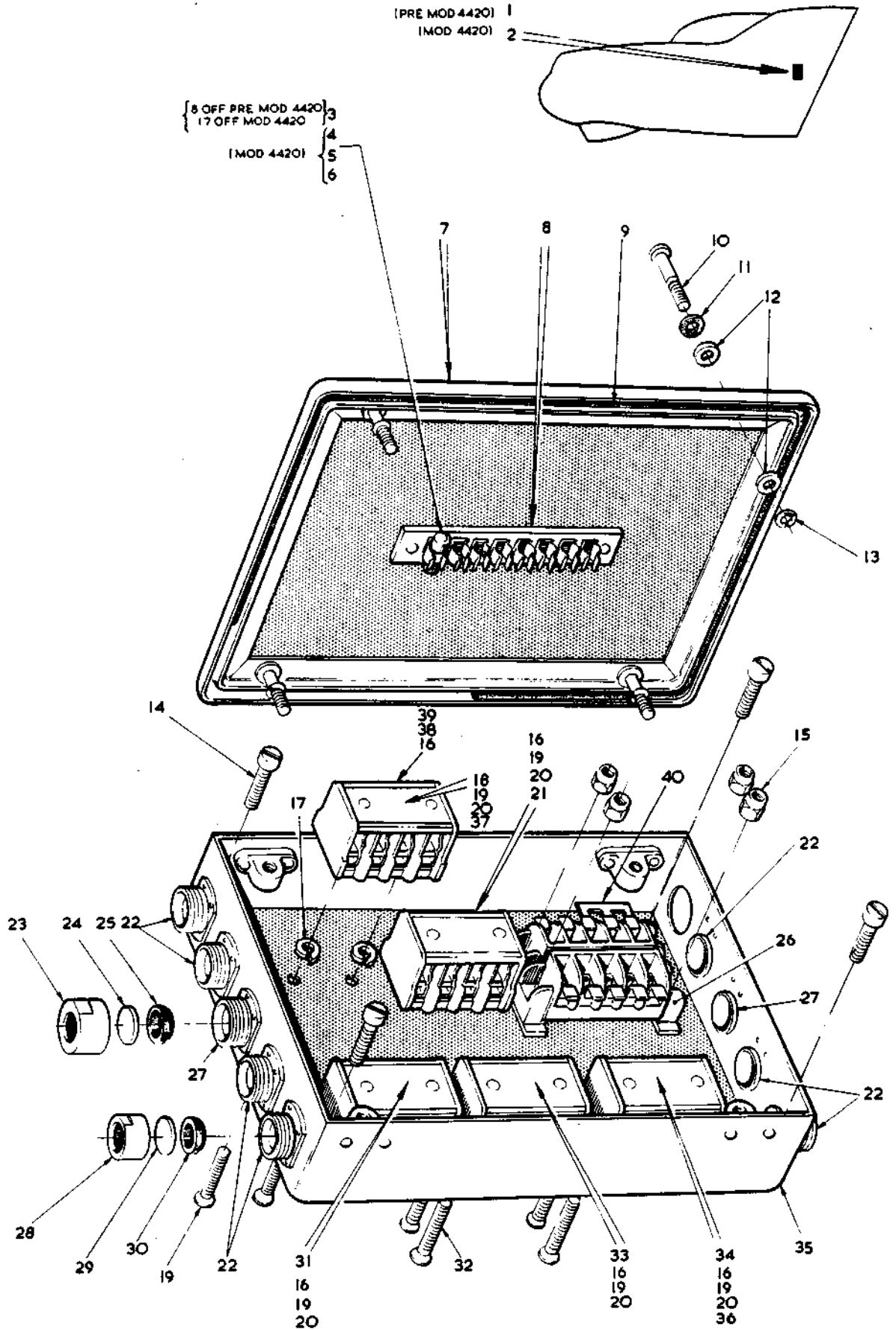


FIG.1 ELECTRICAL EQUIPMENT IN FRONT FUSELAGE

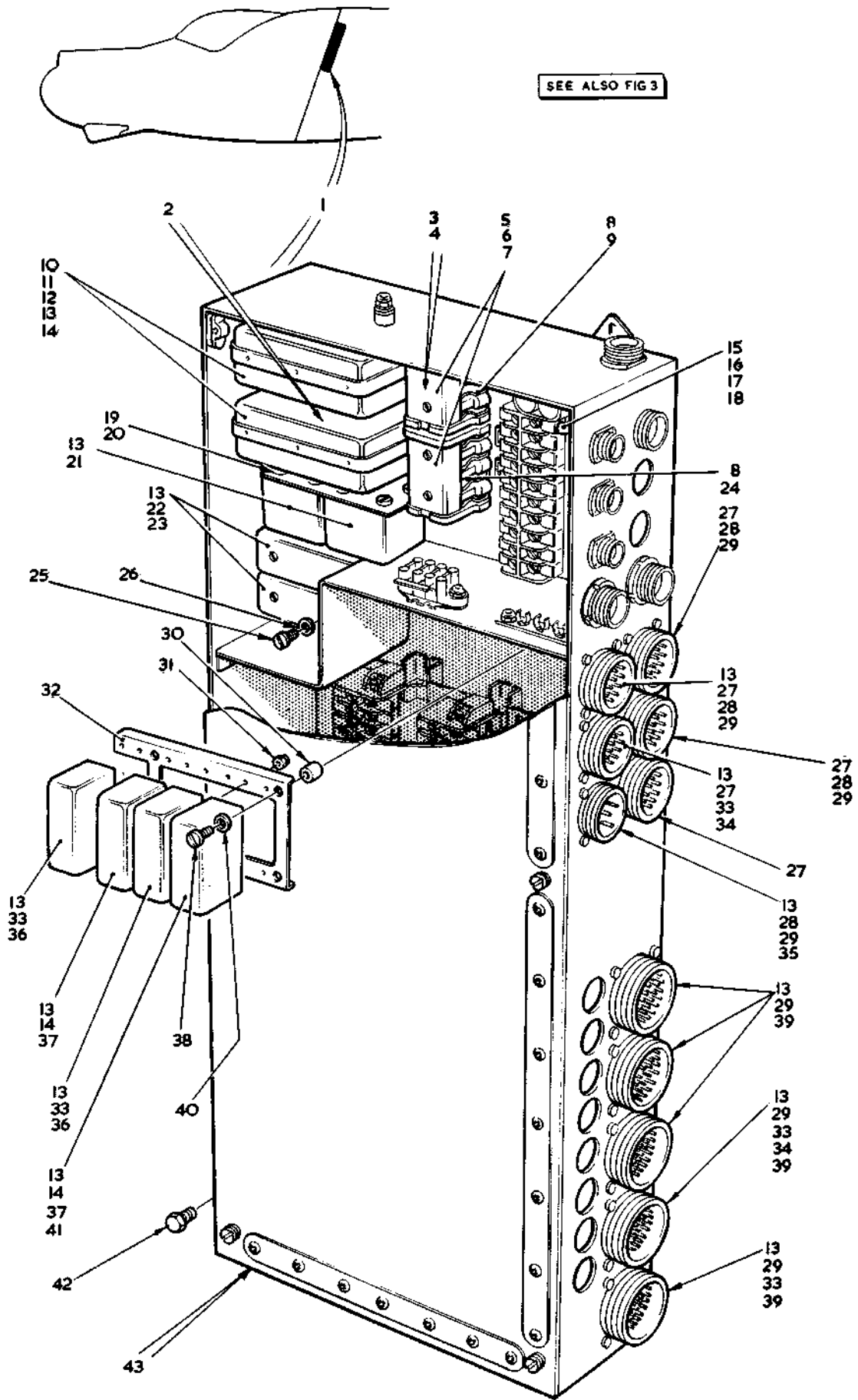


FIG.2 ELECTRICAL EQUIPMENT IN FRONT FUSELAGE

Restricted

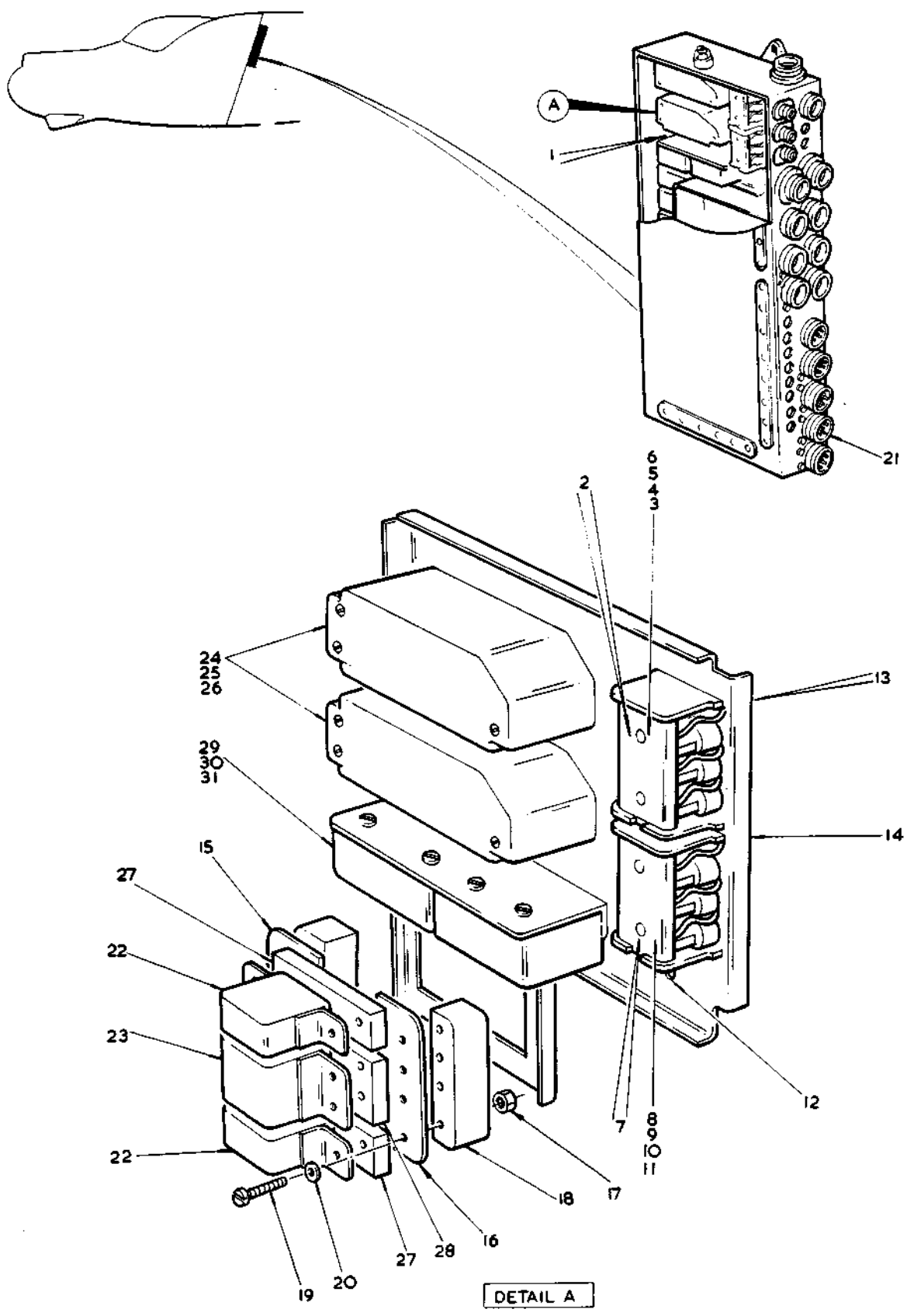


FIG. 2A. ELECTRICAL EQUIPMENT IN FRONT FUSELAGE  
T.MK 17 SECT E



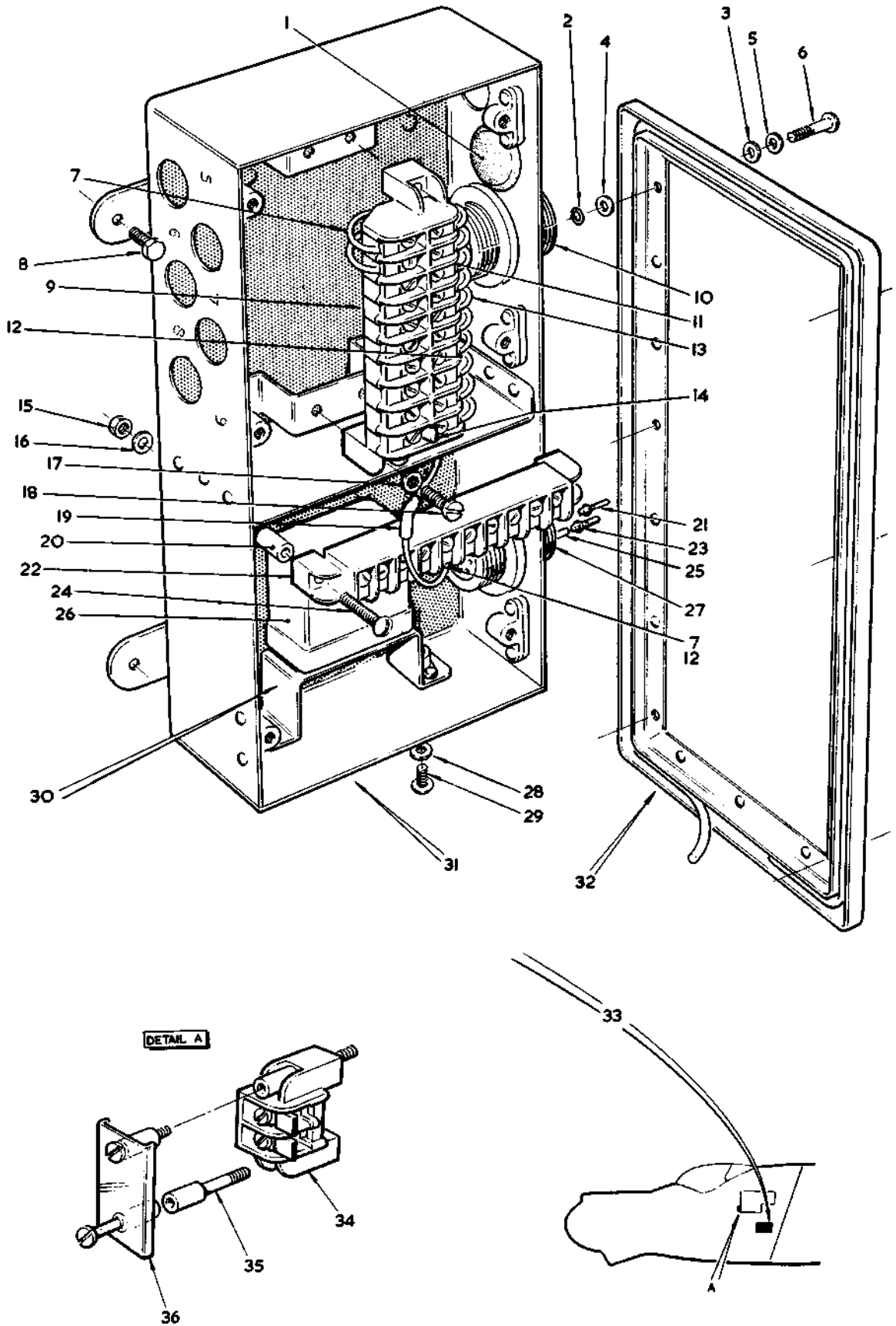


FIG.4 ELECTRICAL EQUIPMENT IN FRONT FUSELAGE

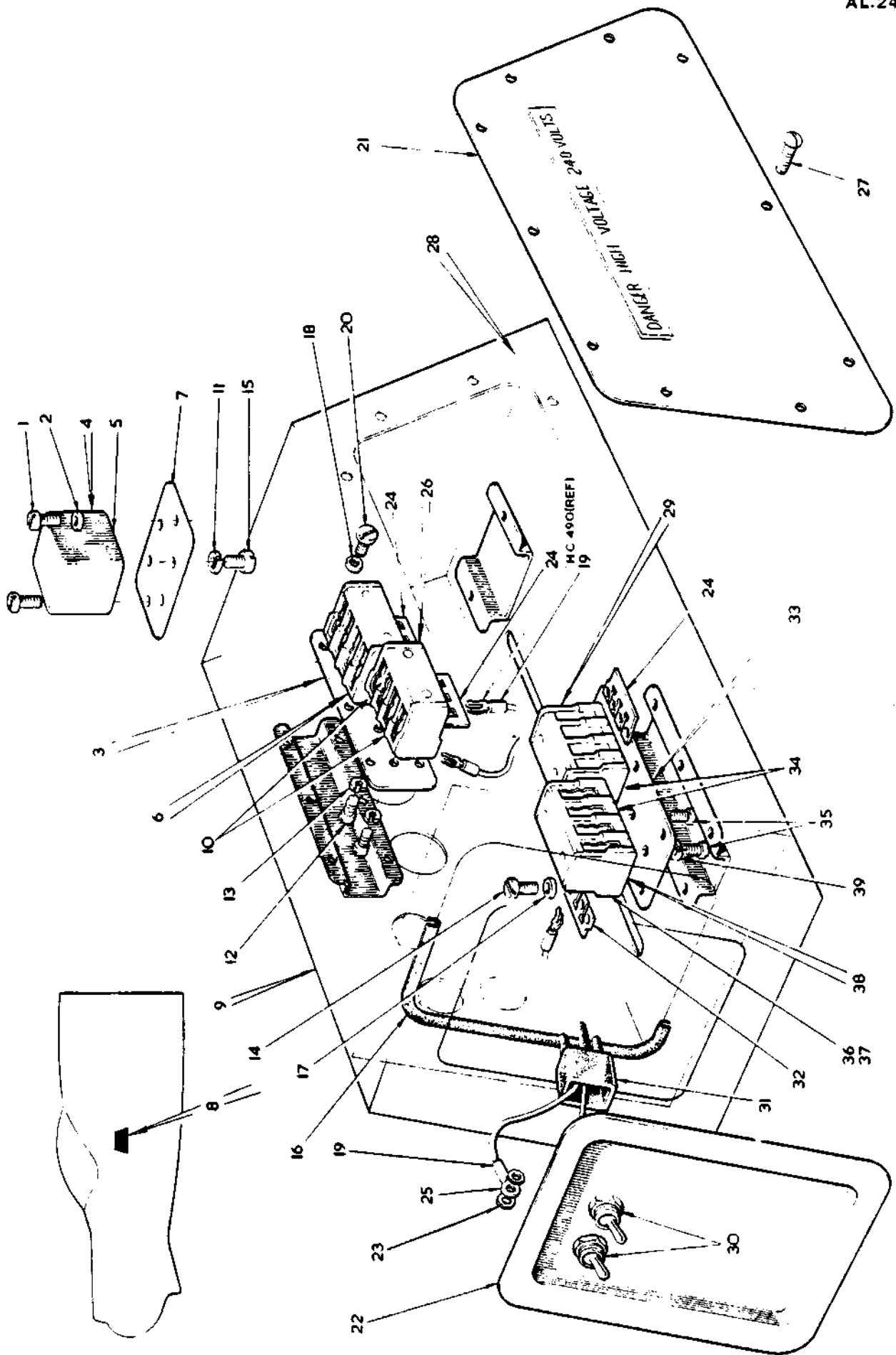


FIG.5 ELECTRICAL EQUIPMENT IN FRONT FUSELAGE

T. MK.17 SECT.E

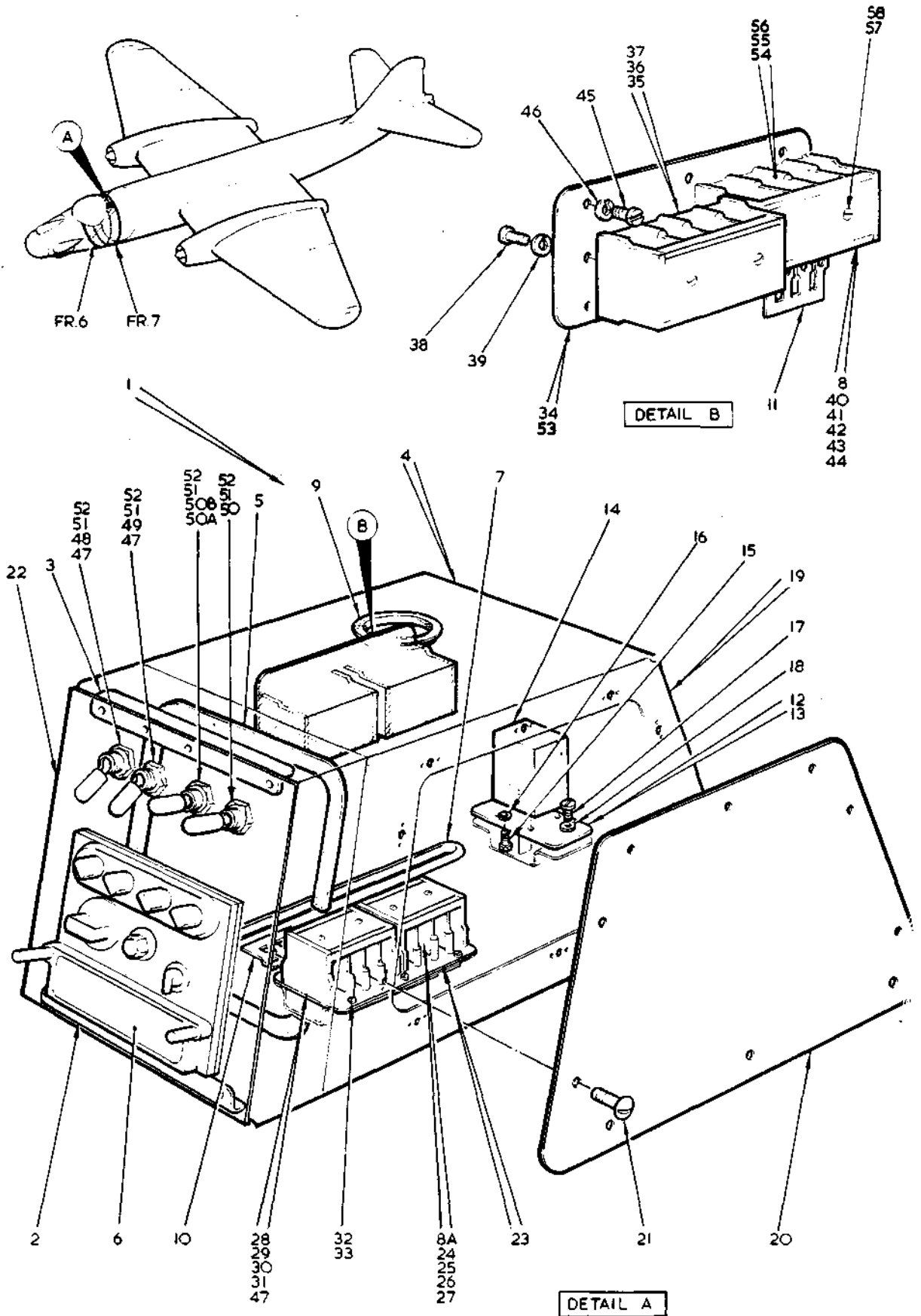


FIG.5A ELECTRICAL EQUIPMENT IN FRONT FUSELAGE

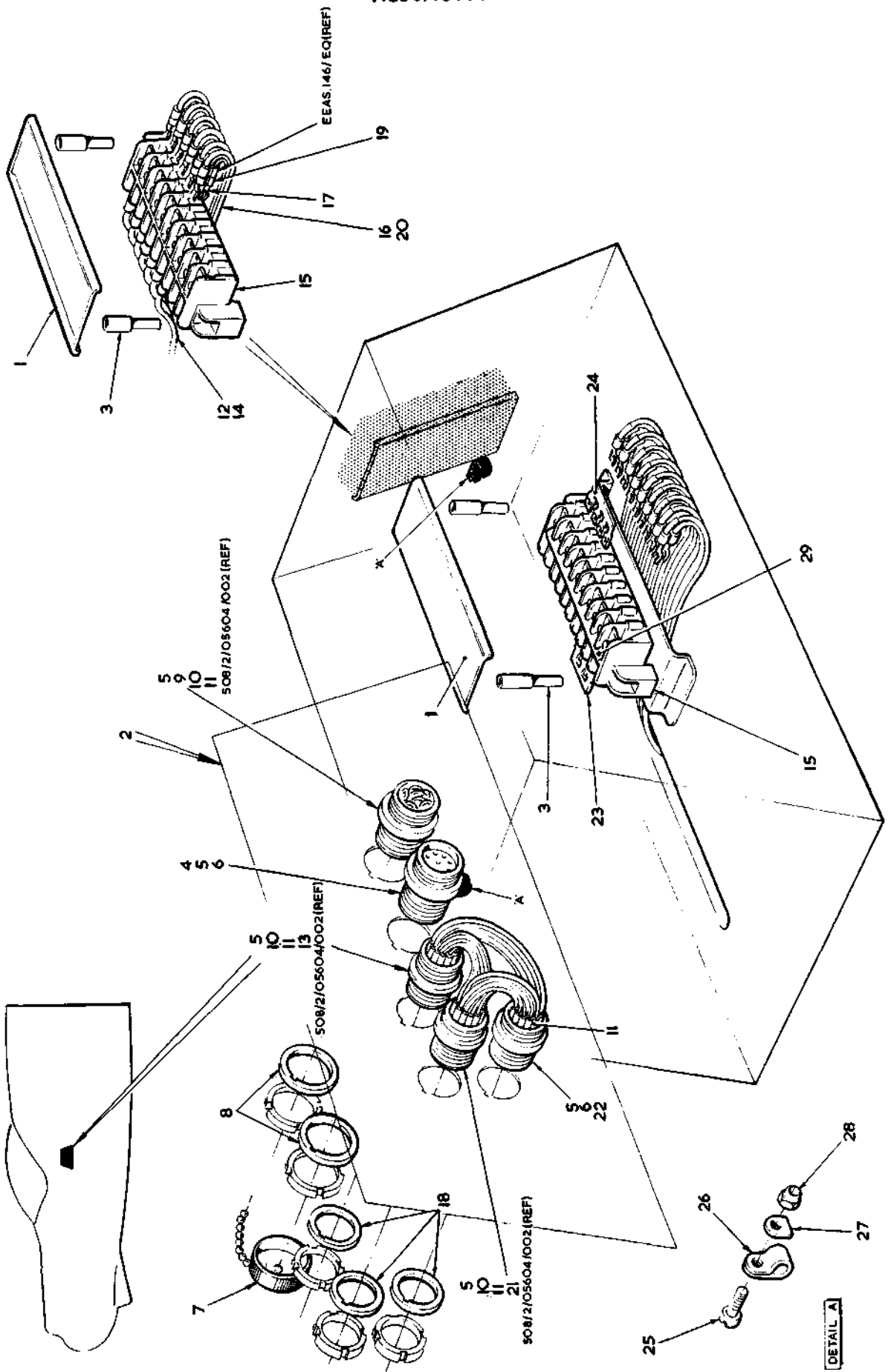


FIG.6 ELECTRICAL EQUIPMENT IN FRONT FUSELAGE

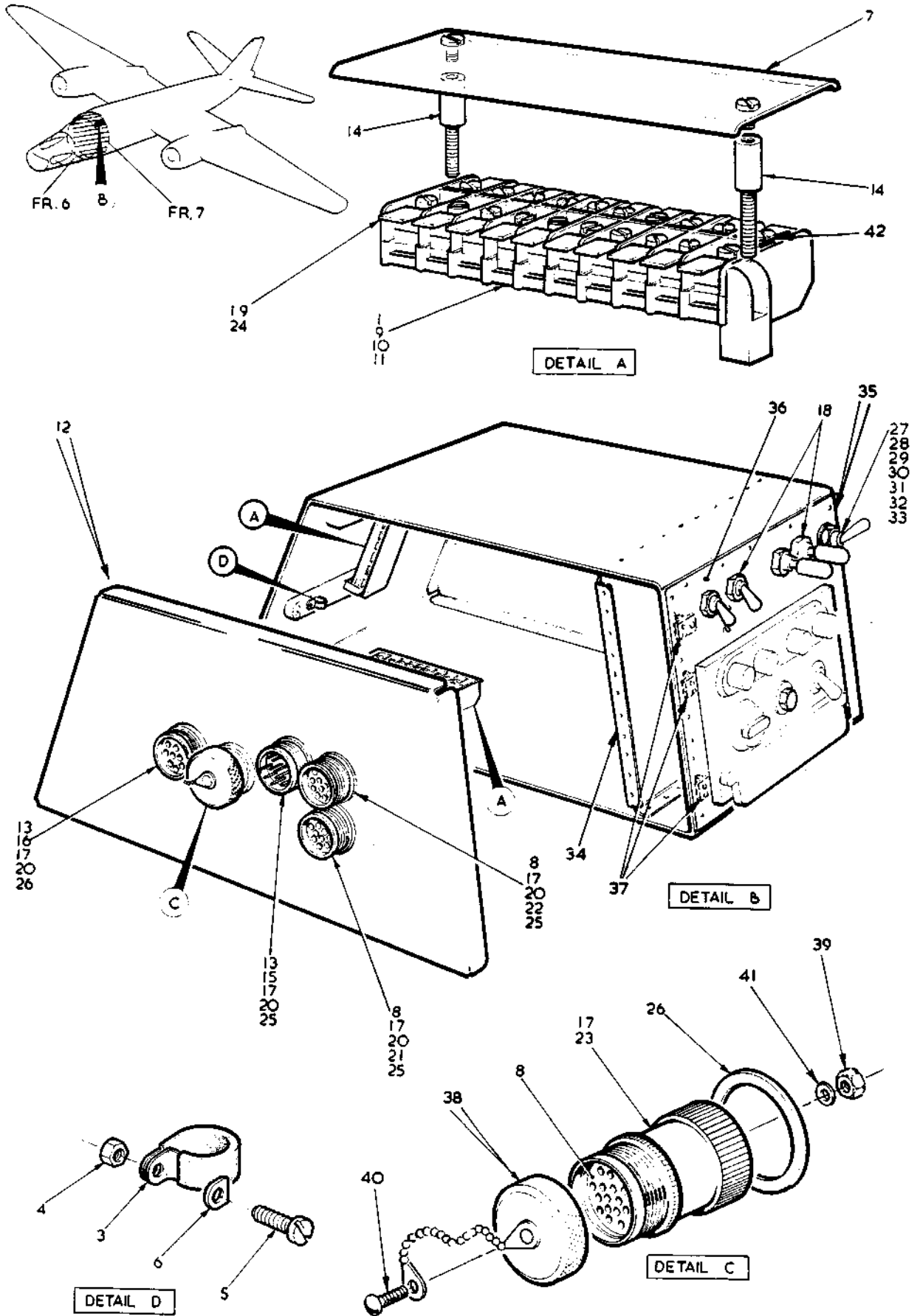


FIG.6A ELECTRICAL EQUIPMENT IN FRONT FUSELAGE

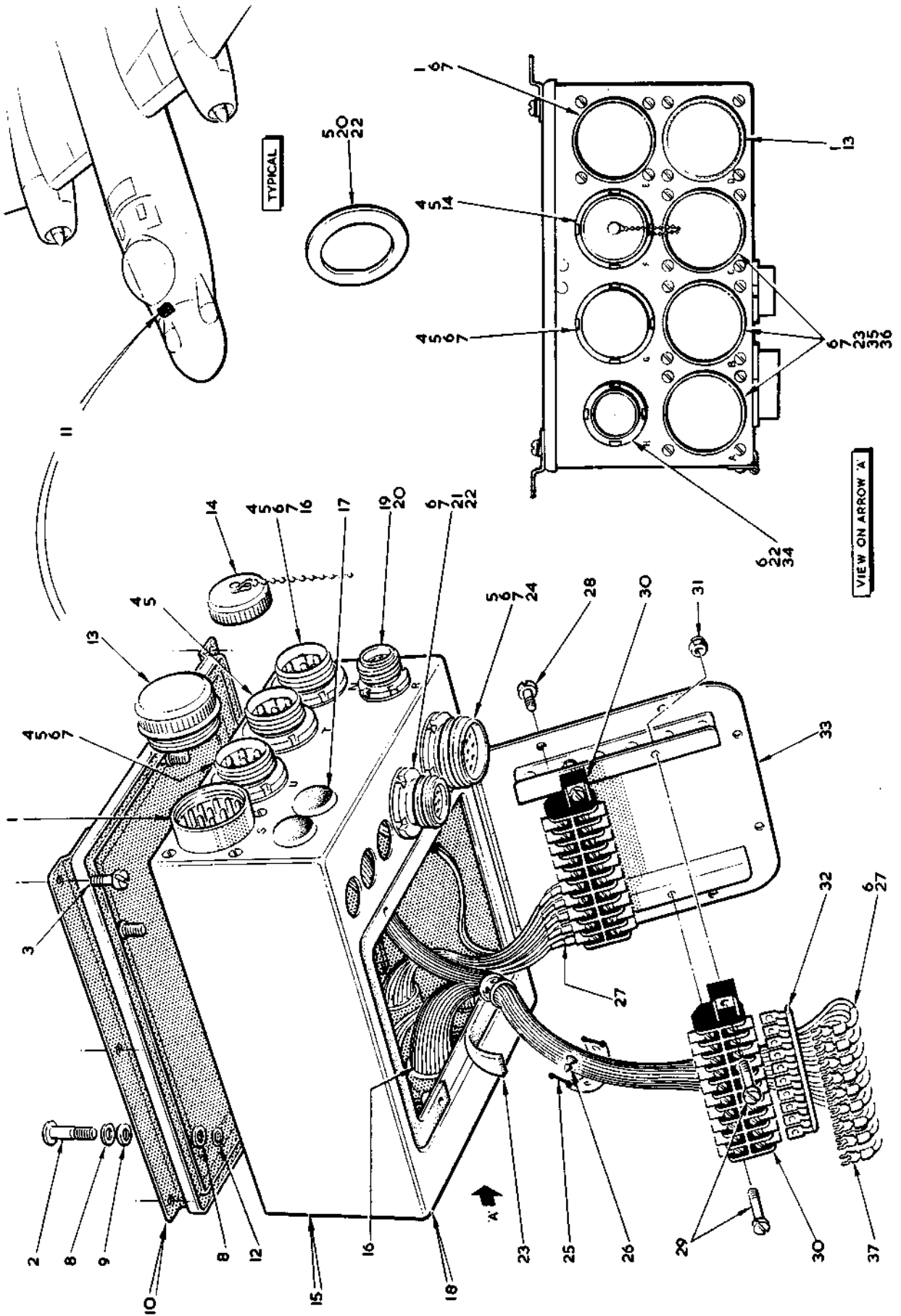


FIG. 7 ELECTRICAL EQUIPMENT IN FRONT FUSELAGE

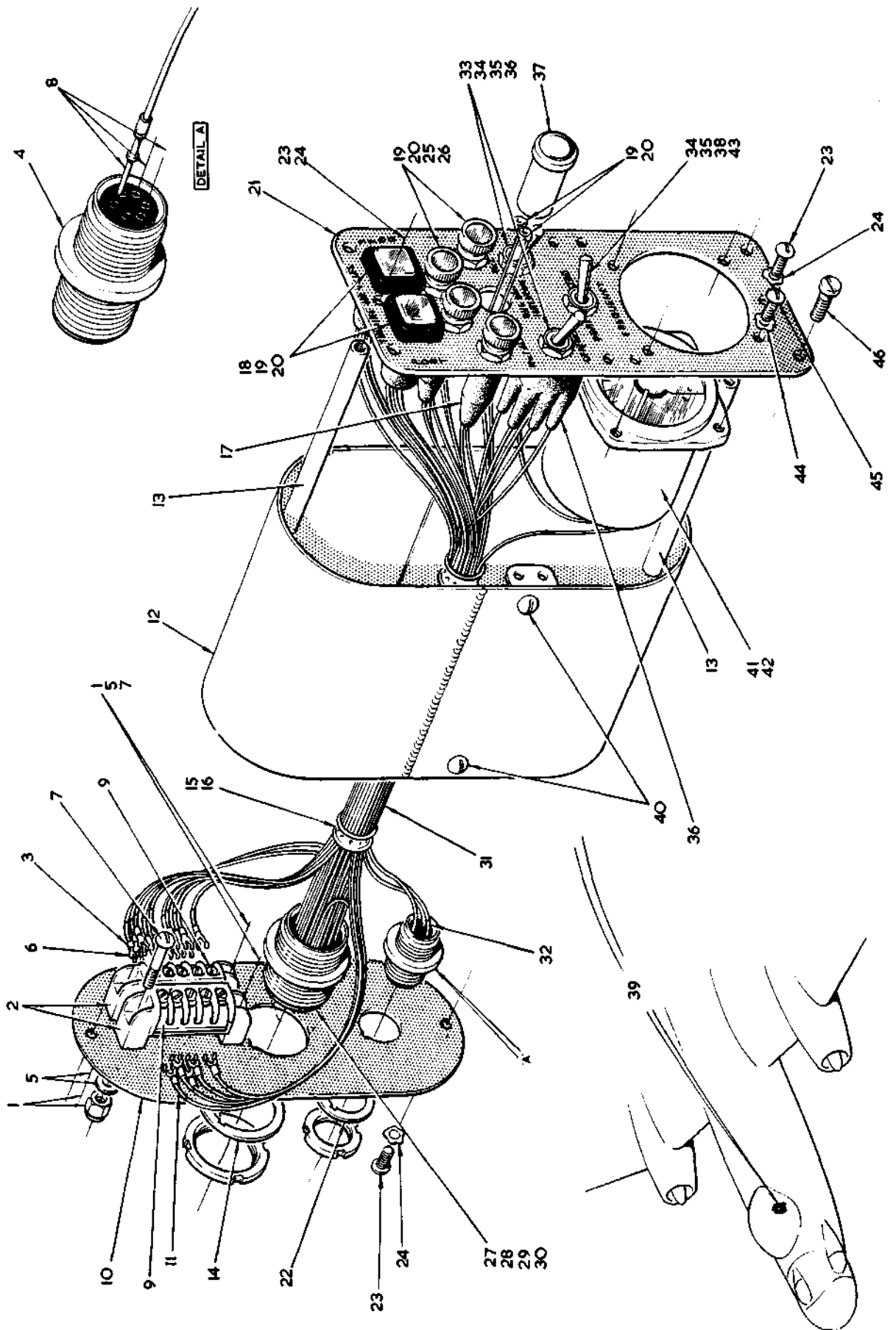
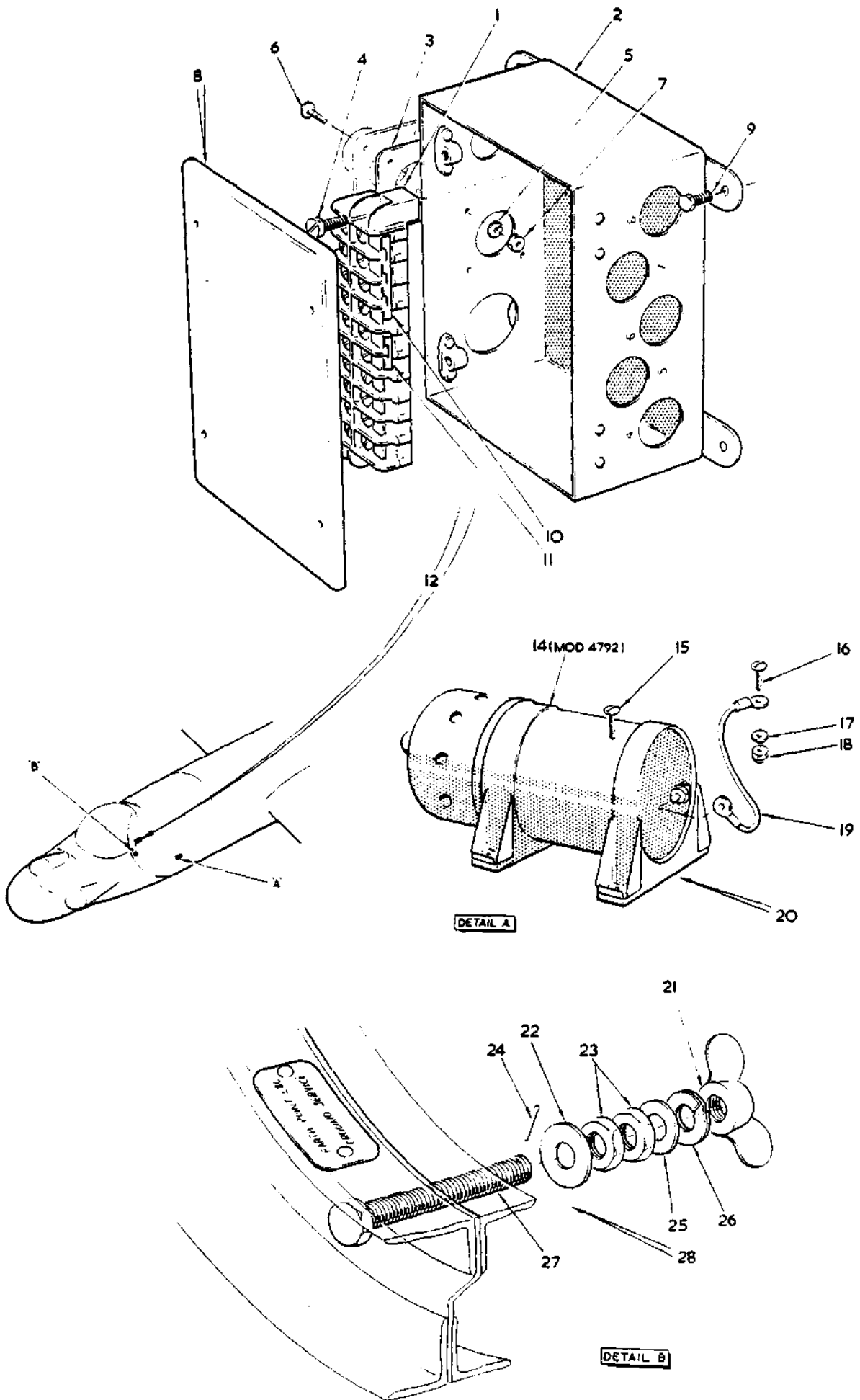


FIG.8 ELECTRICAL EQUIPMENT IN FRONT FUSELAGE



**FIG.9 ELECTRICAL EQUIPMENT IN FRONT FUSELAGE**

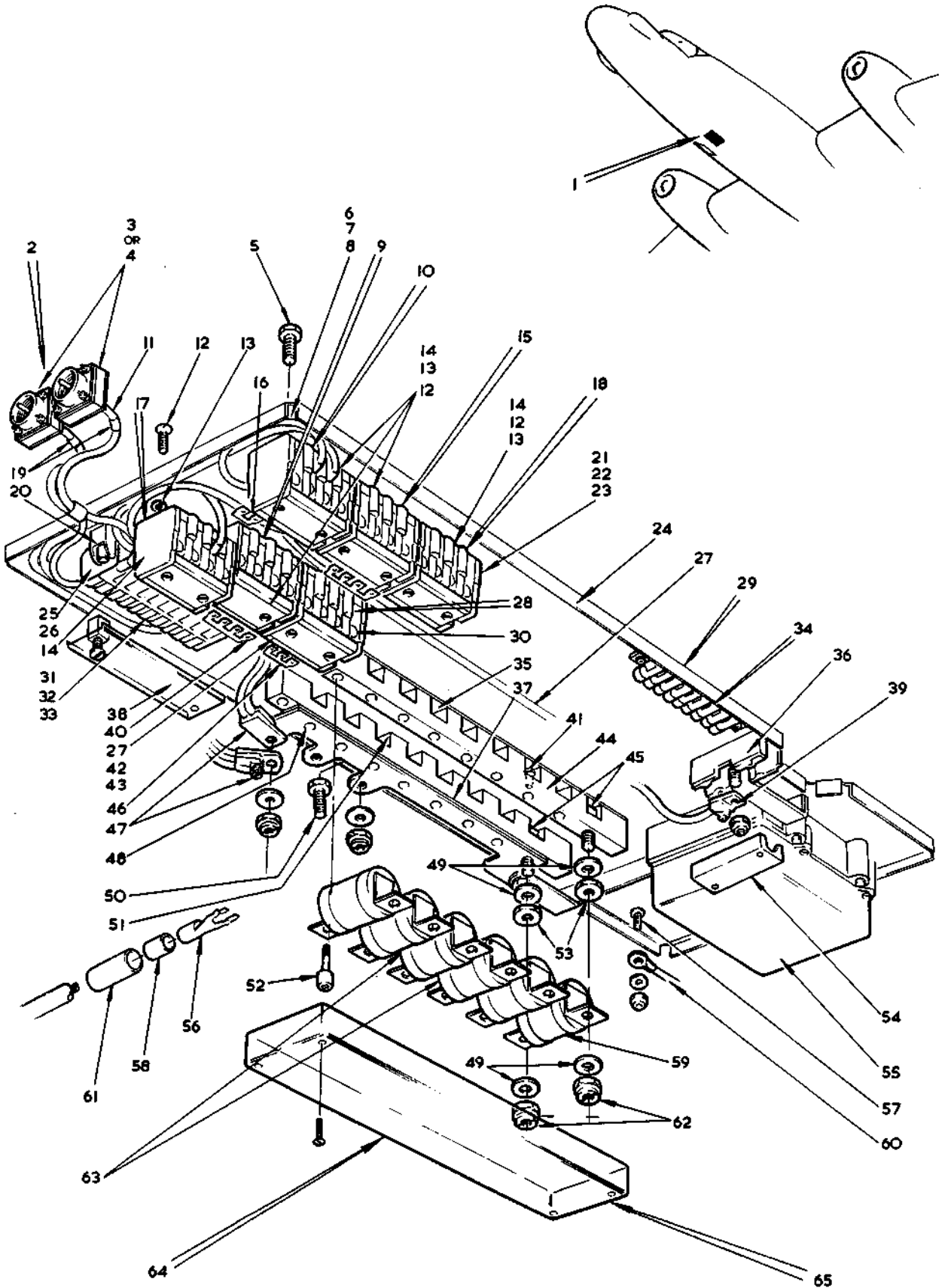


FIG 10. ELECTRICAL EQUIPMENT IN FRONT FUSELAGE

Restricted

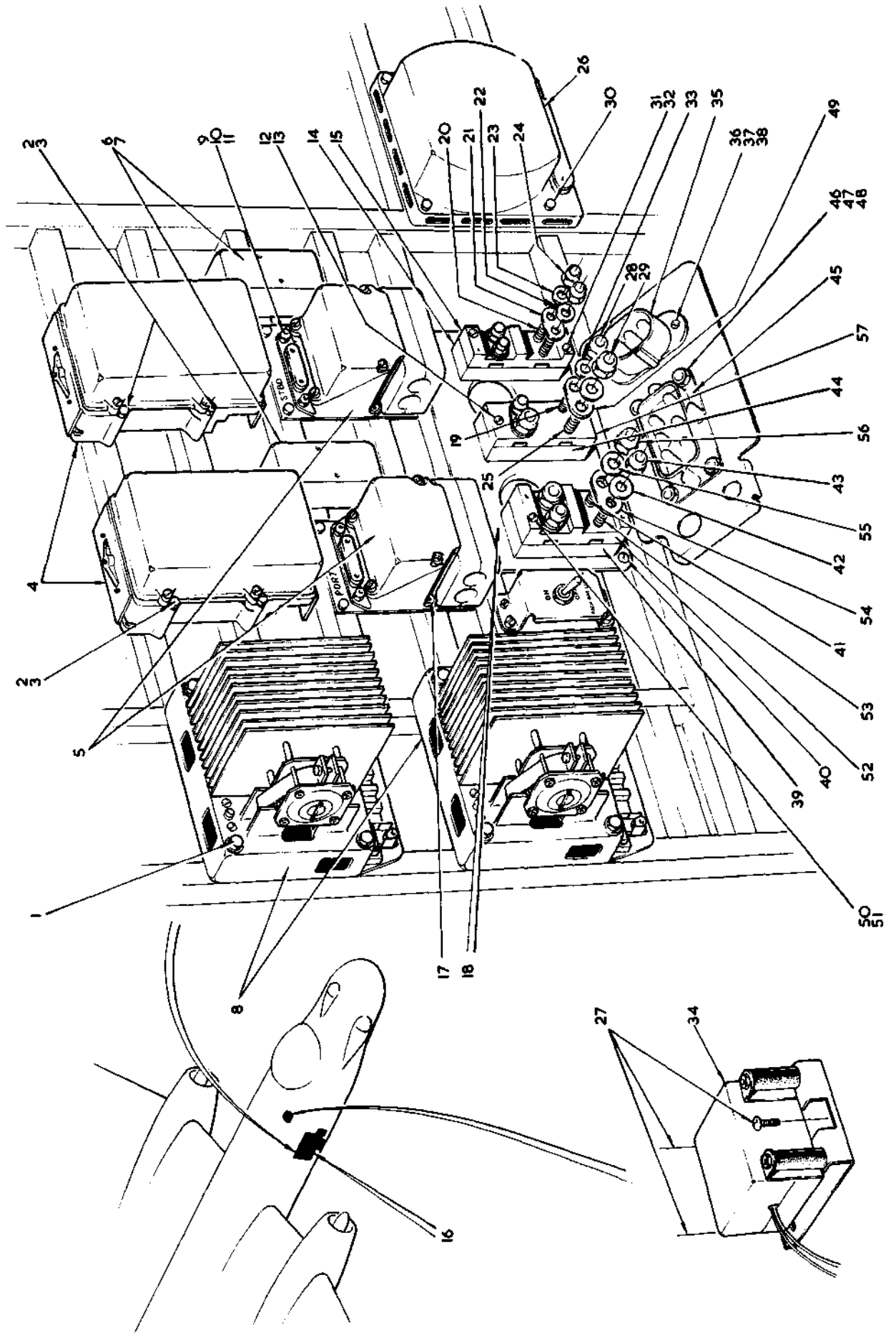


FIG. II ELECTRICAL EQUIPMENT IN FRONT FUSELAGE  
Restricted

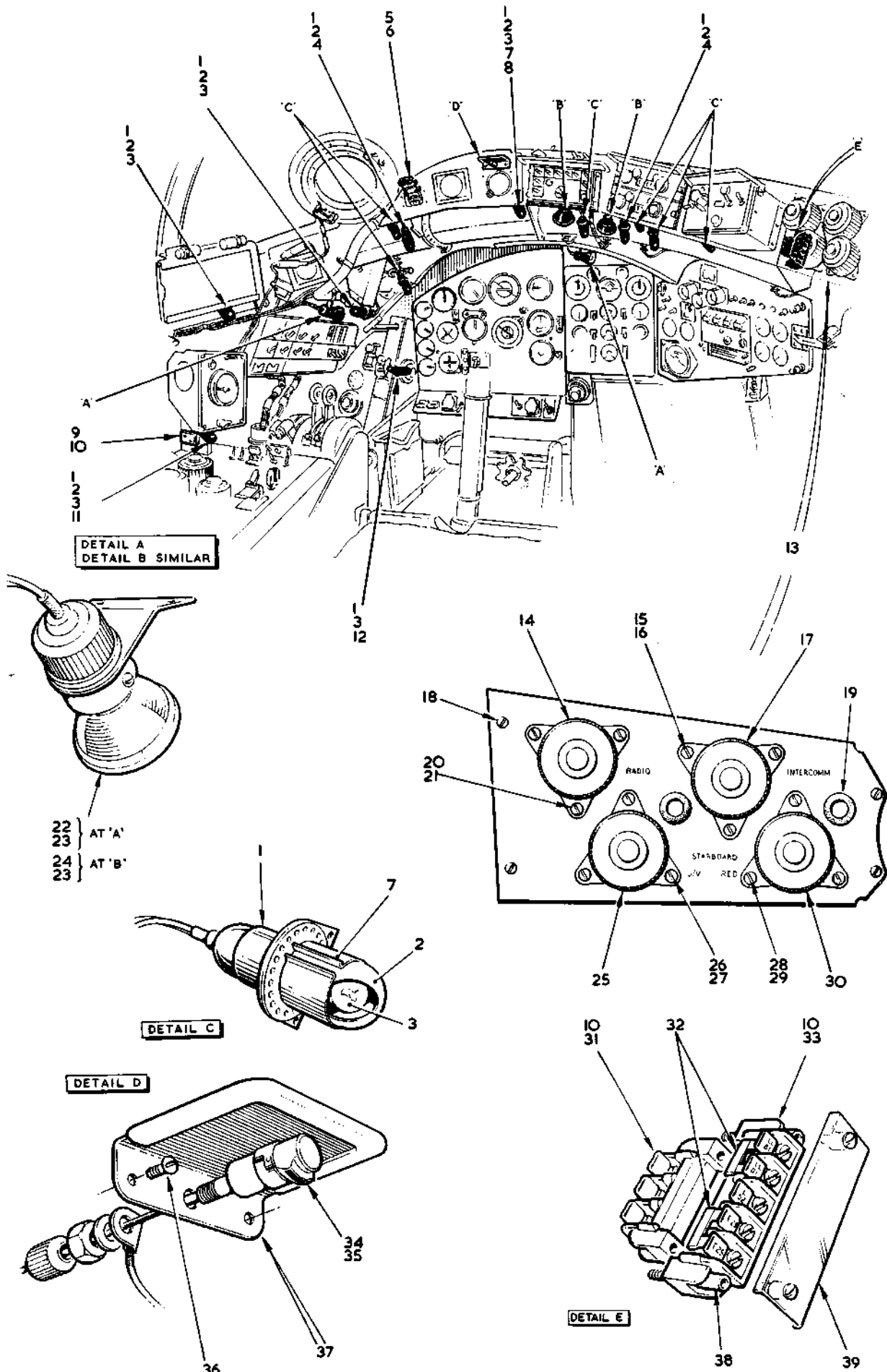


FIG. 12 ELECTRICAL EQUIPMENT IN FRONT FUSELAGE

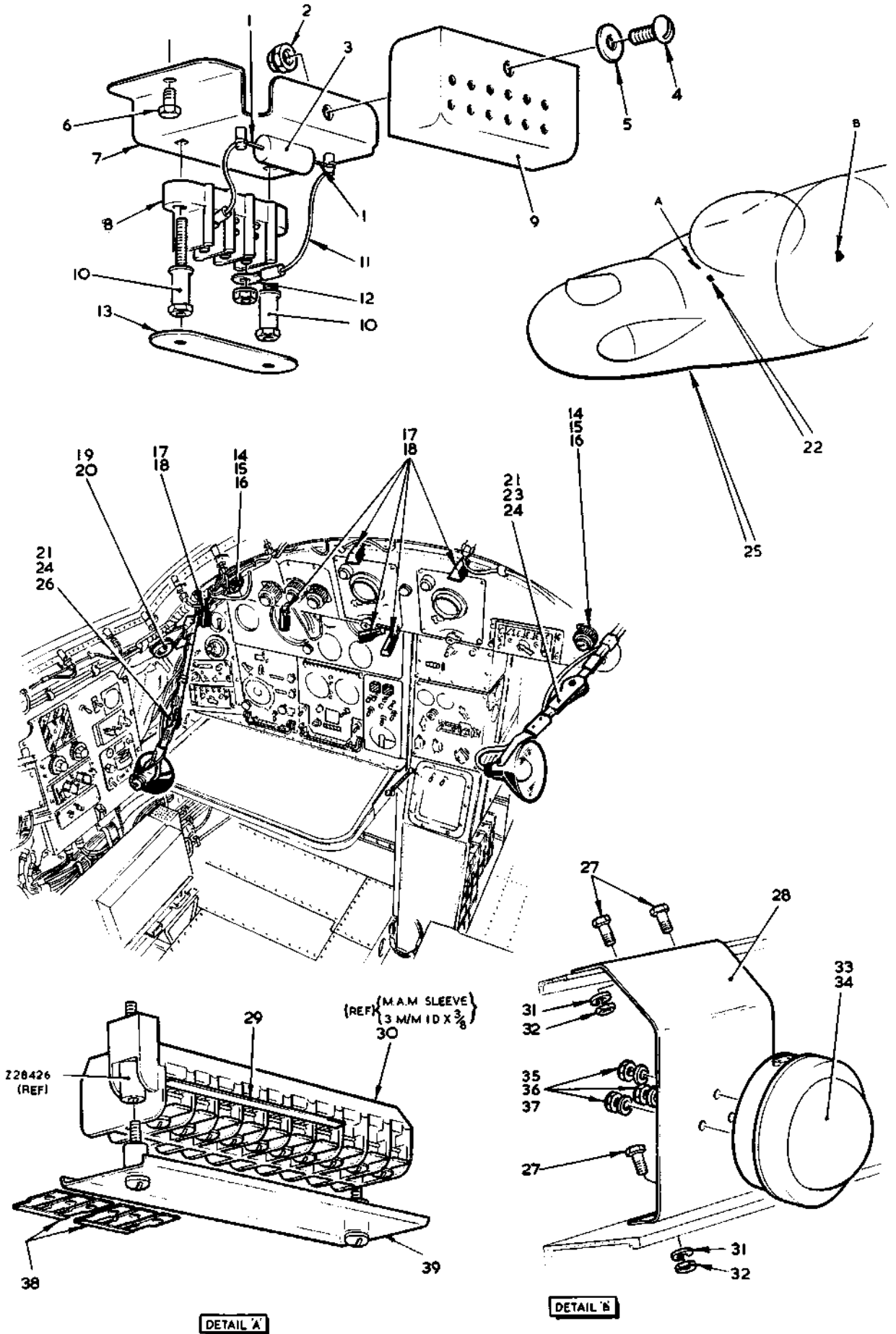


FIG.13 ELECTRICAL EQUIPMENT IN FRONT FUSELAGE

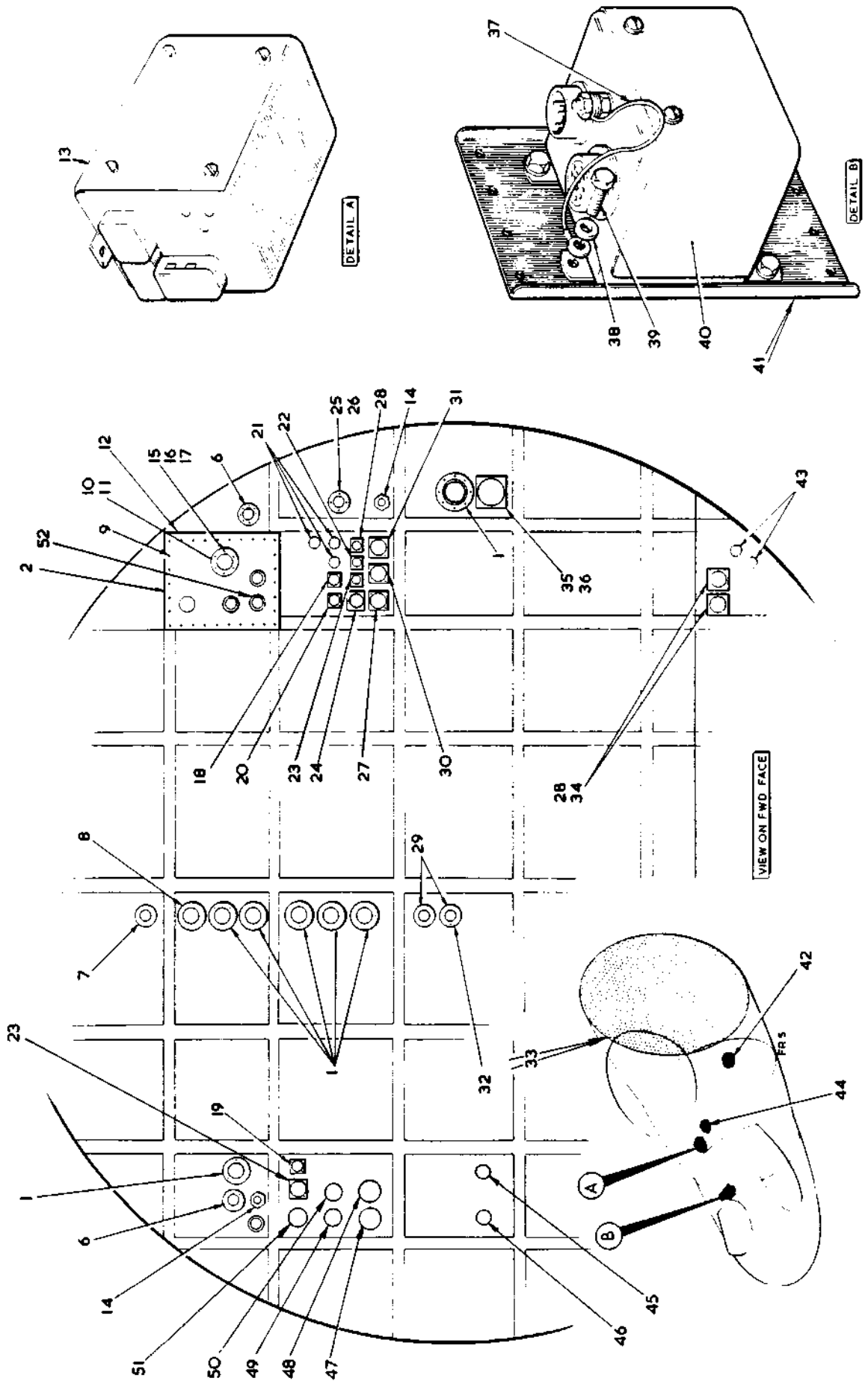


FIG.14 ELECTRICAL EQUIPMENT IN FRONT FUSELAGE

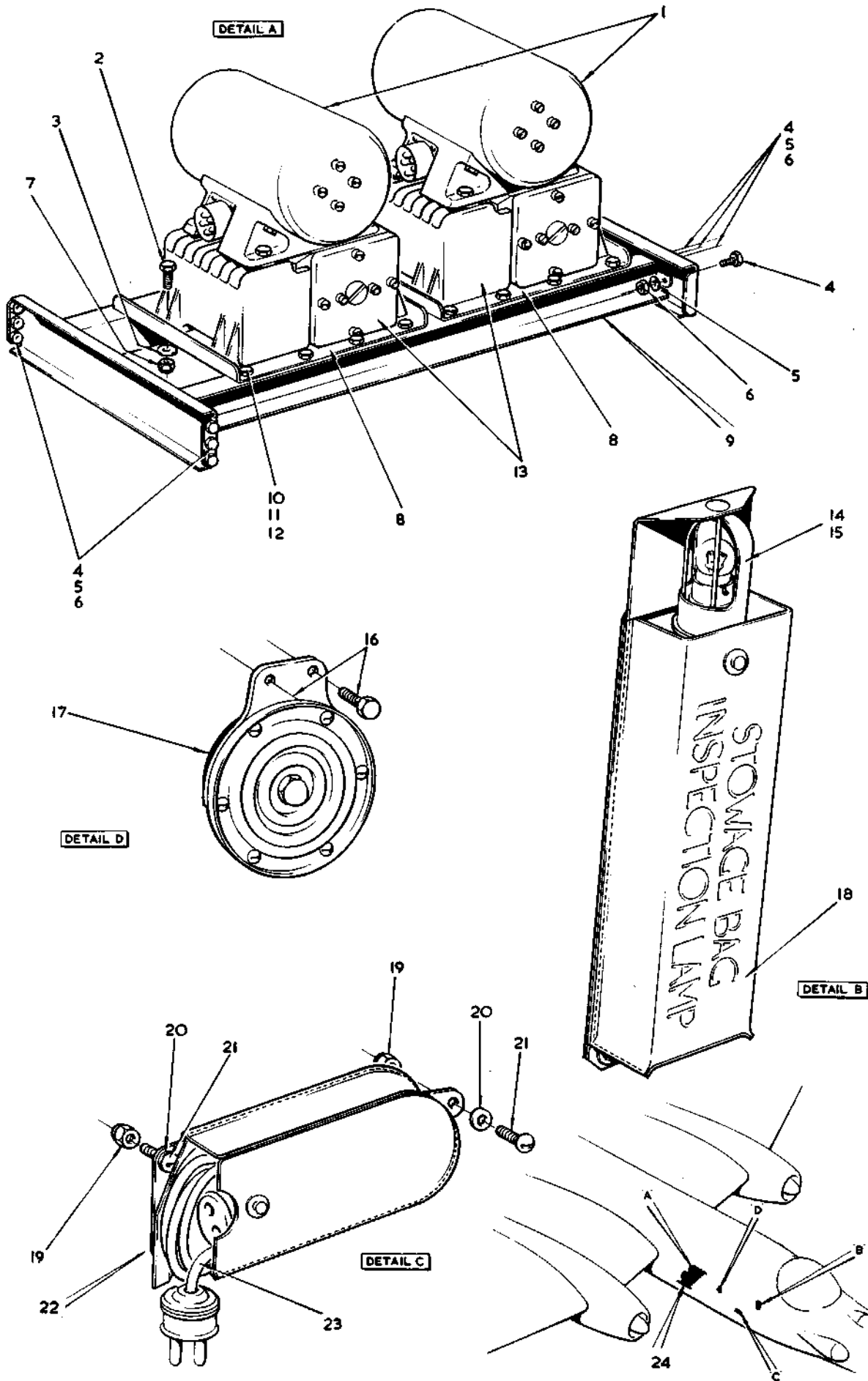


FIG.15 ELECTRICAL EQUIPMENT IN FRONT FUSELAGE

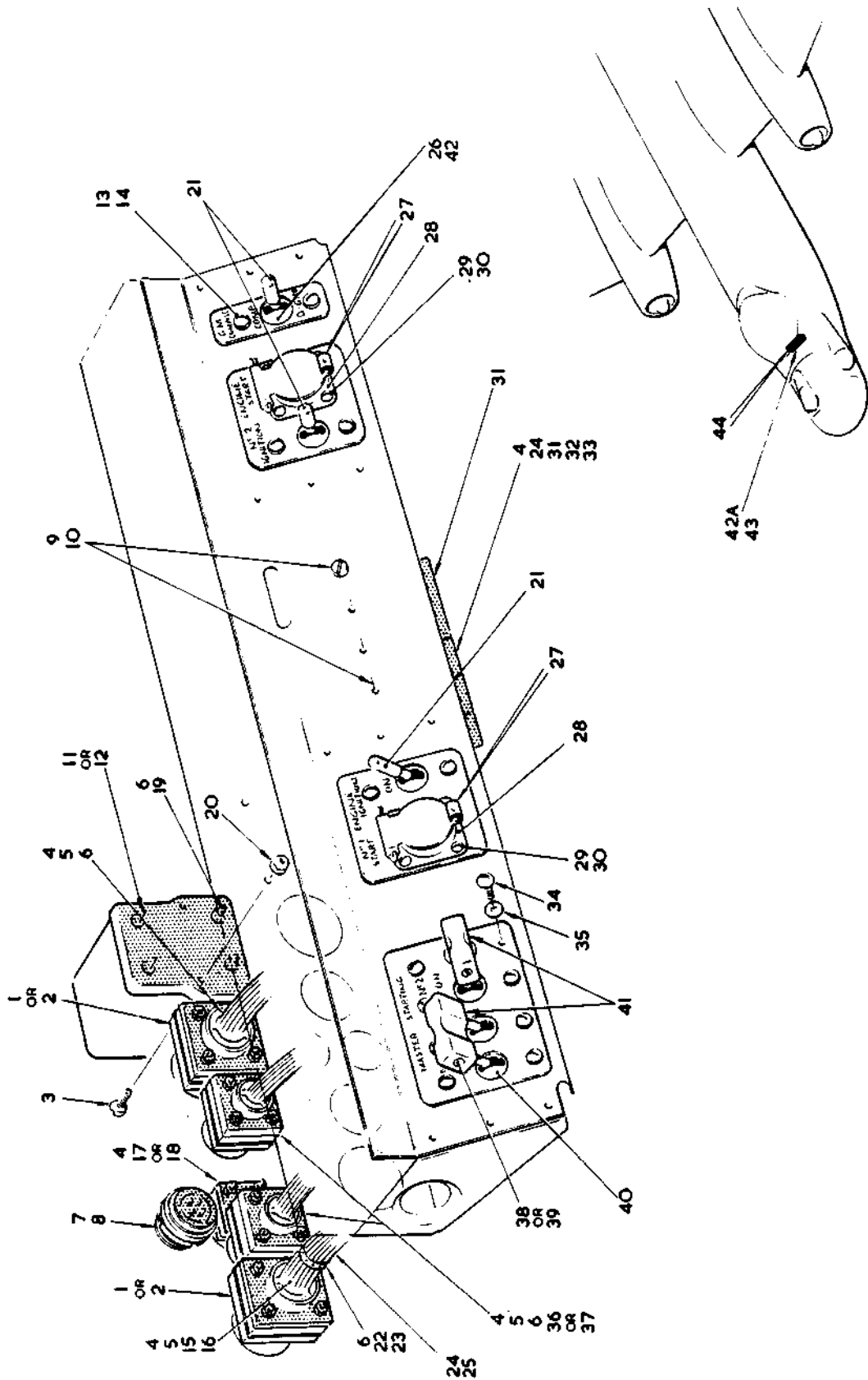


FIG.16 ELECTRICAL EQUIPMENT IN FRONT FUSELAGE

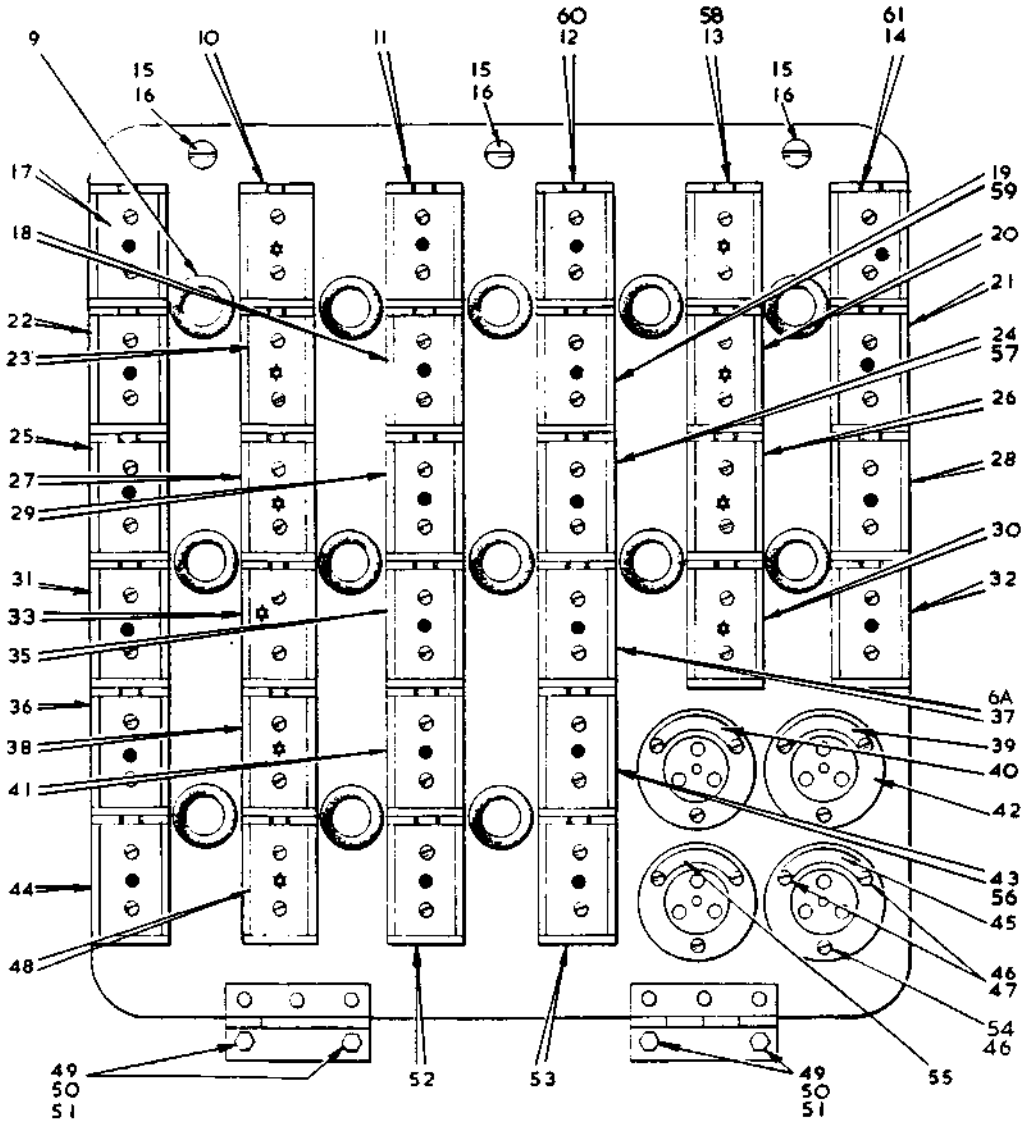
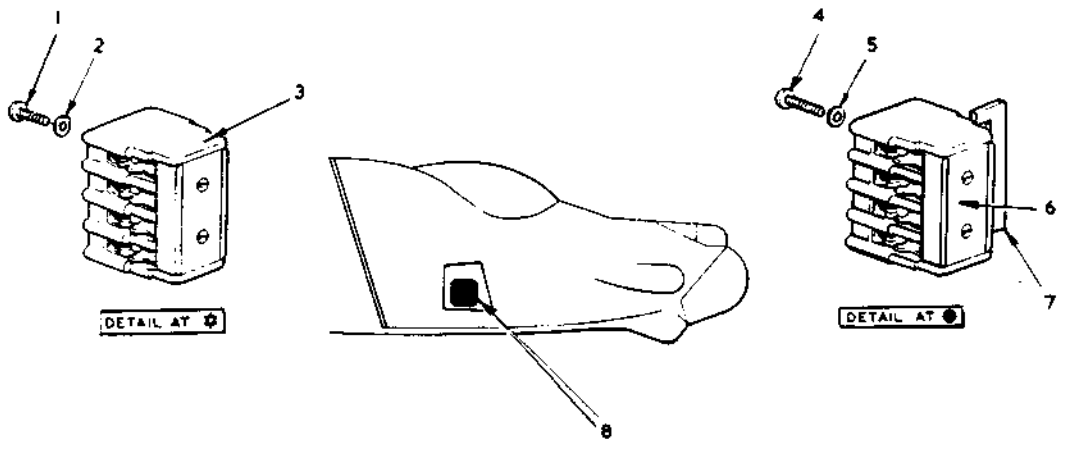


FIG. 17 ELECTRICAL EQUIPMENT IN FRONT FUSELAGE

T MK 17 SECT E

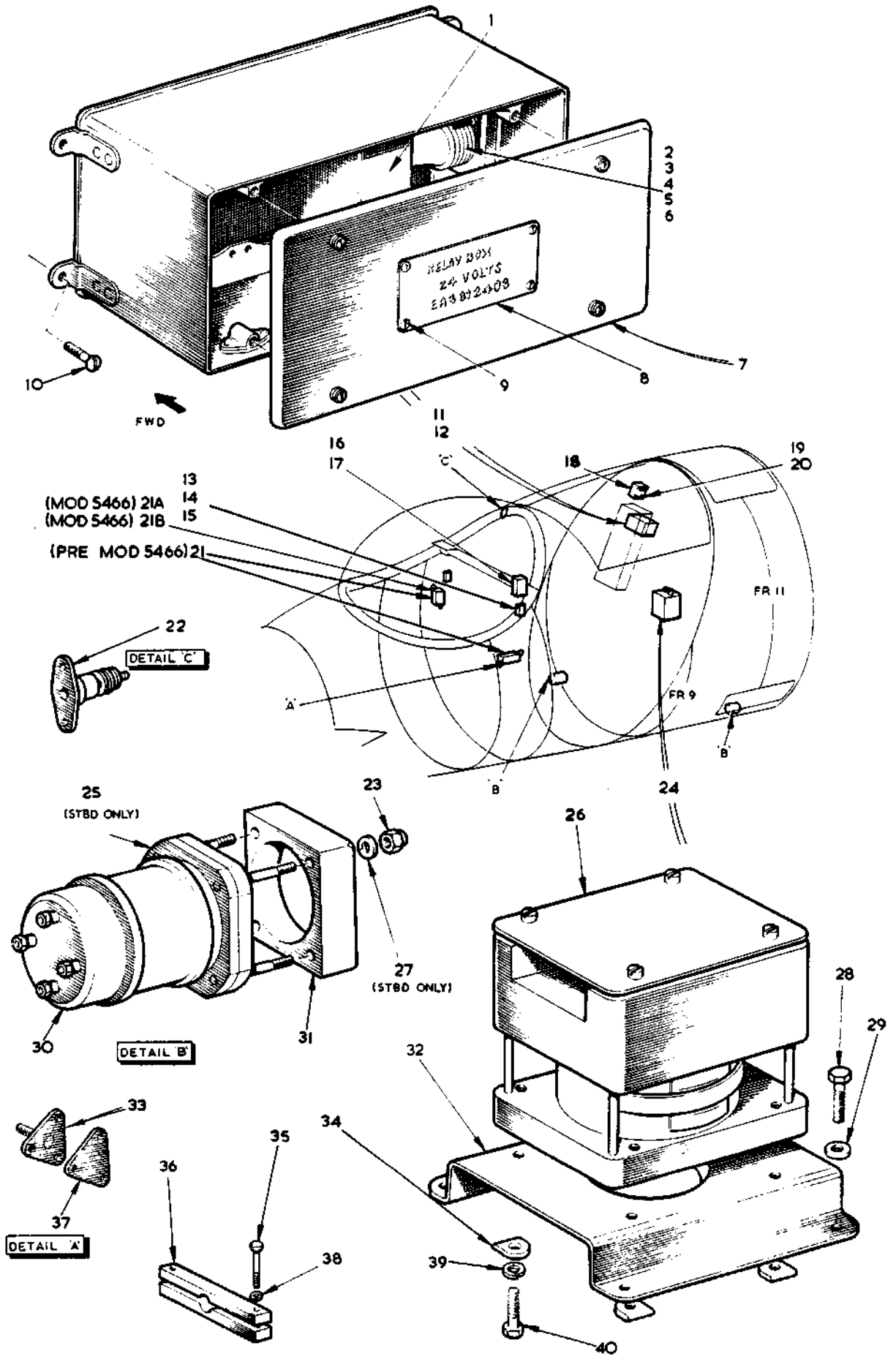


FIG.18 ELECTRICAL EQUIPMENT IN FRONT FUSELAGE



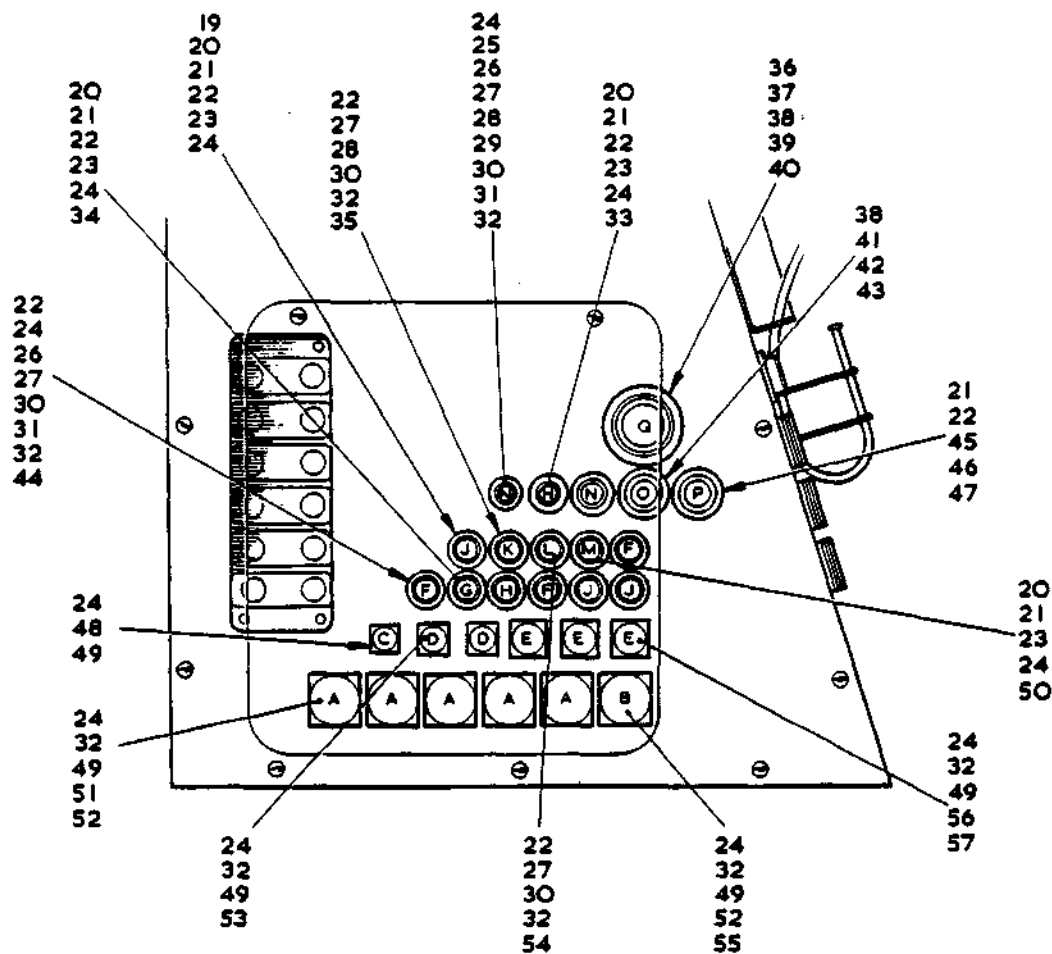
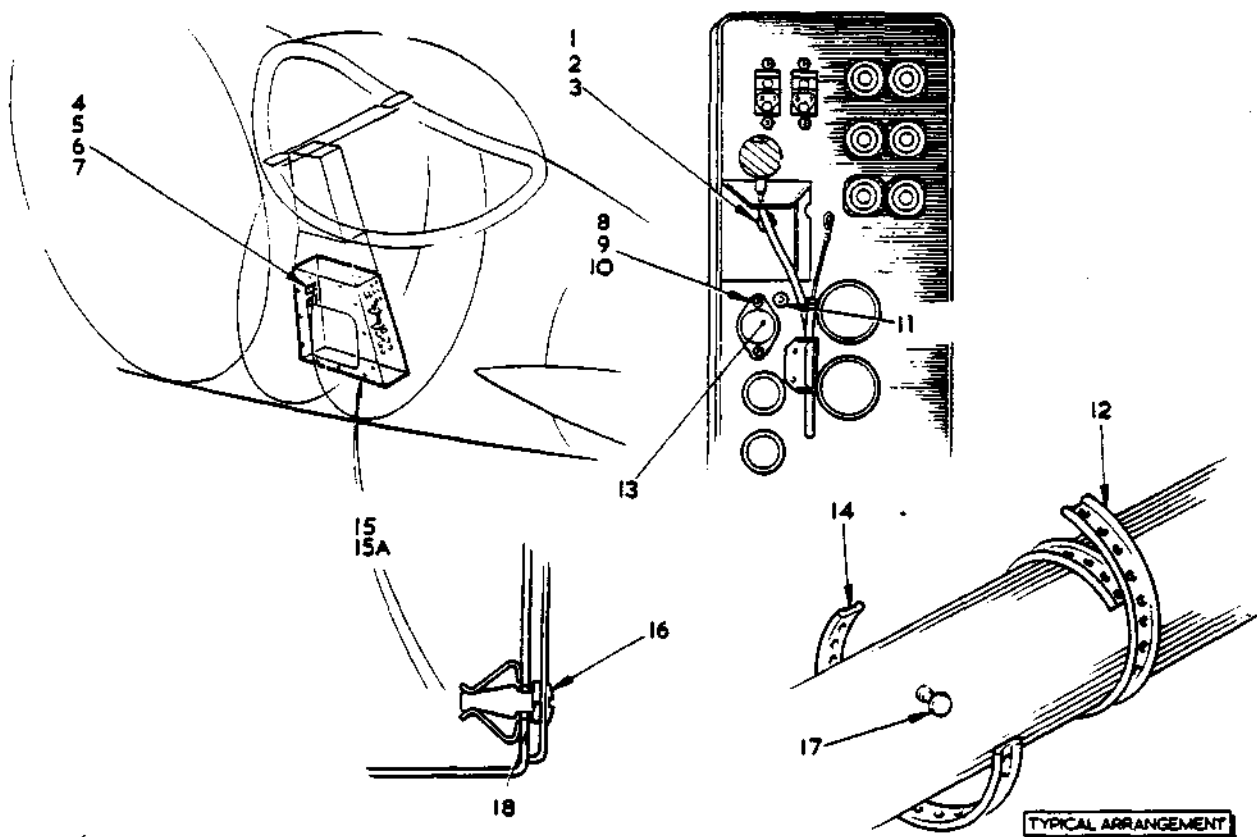


FIG.20 ELECTRICAL EQUIPMENT IN FRONT FUSELAGE  
T MK.17 SECT.E

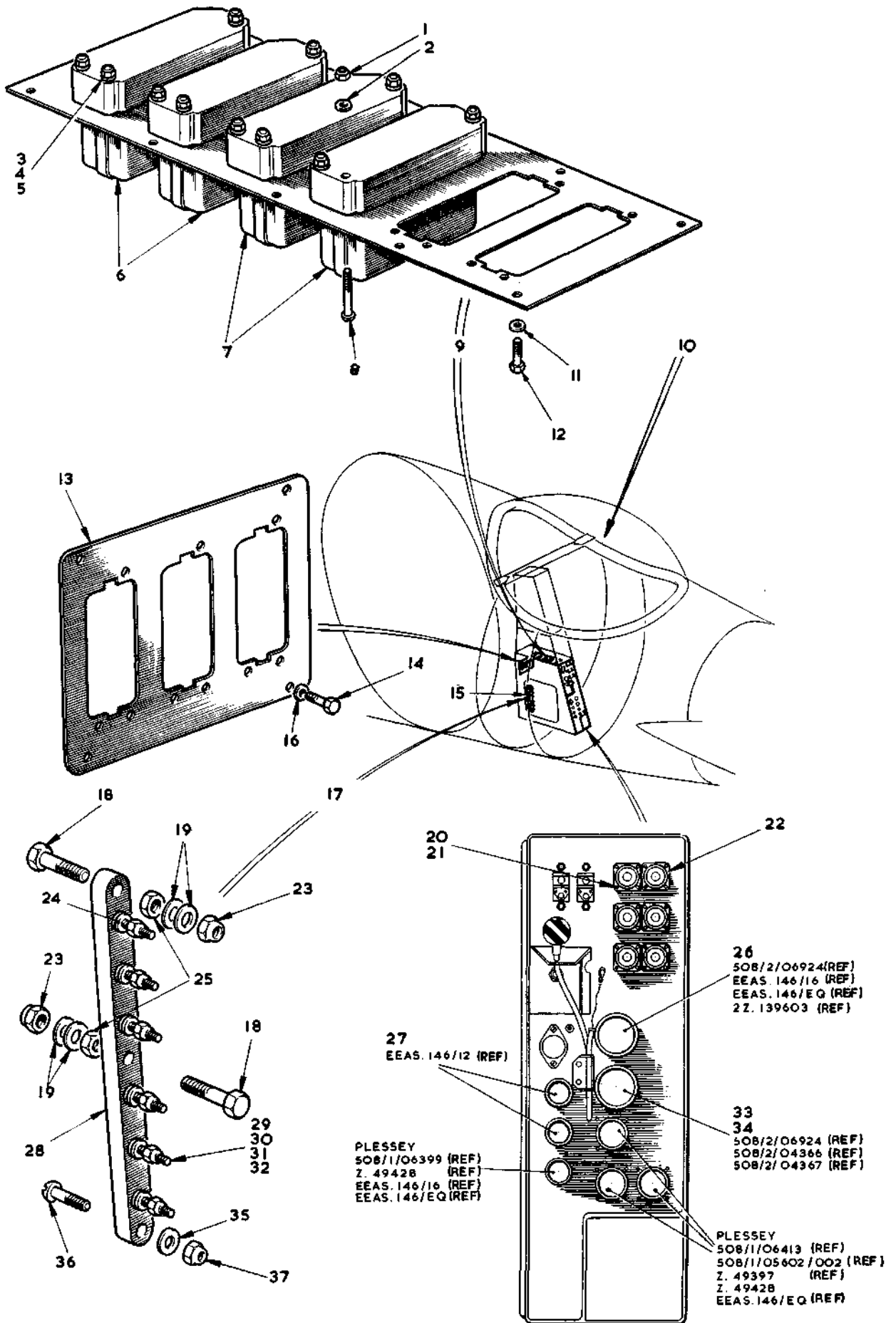


FIG. 21 ELECTRICAL EQUIPMENT IN FRONT FUSELAGE

Restricted

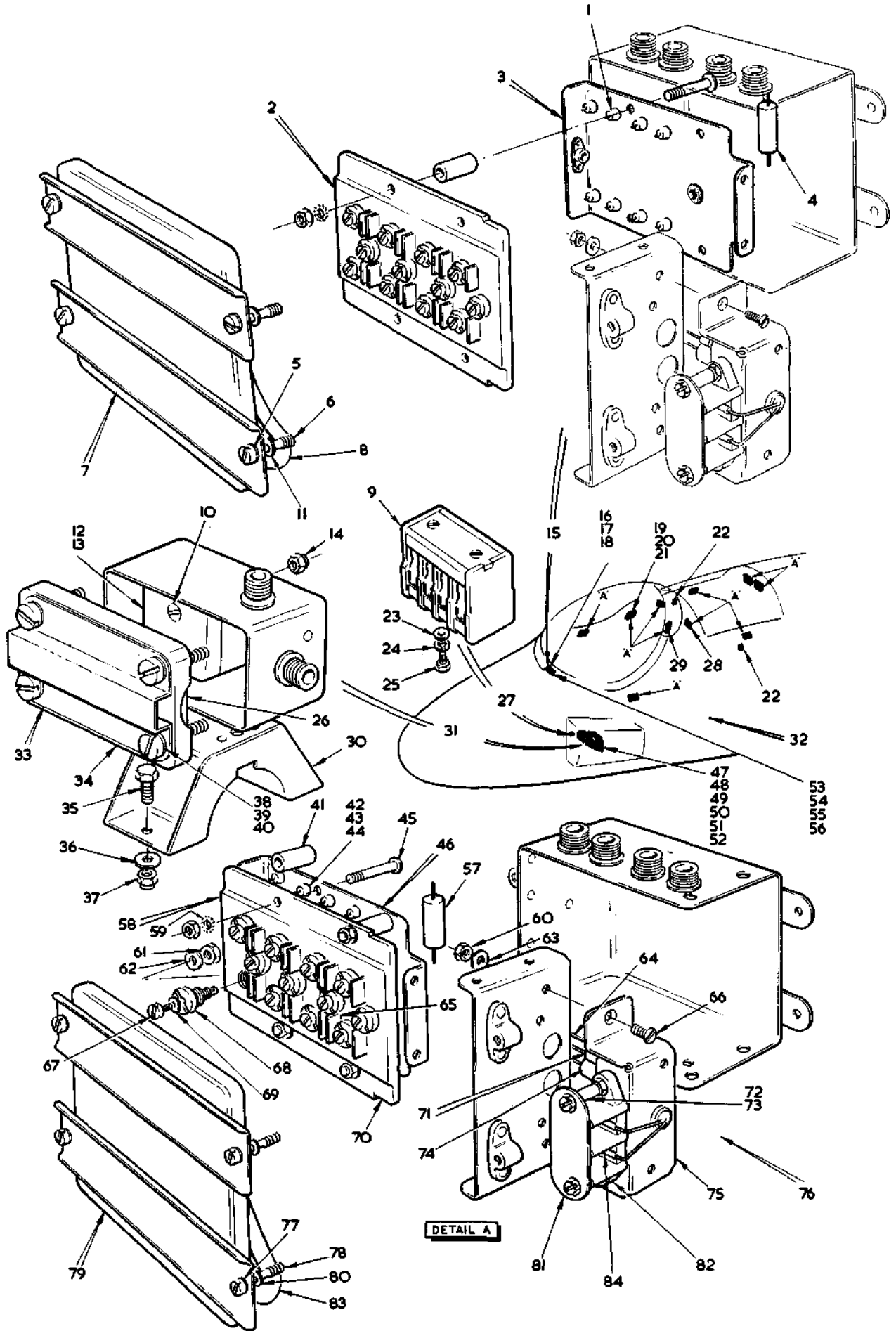


FIG. 22 ELECTRICAL EQUIPMENT IN FRONT FUSELAGE  
Restricted

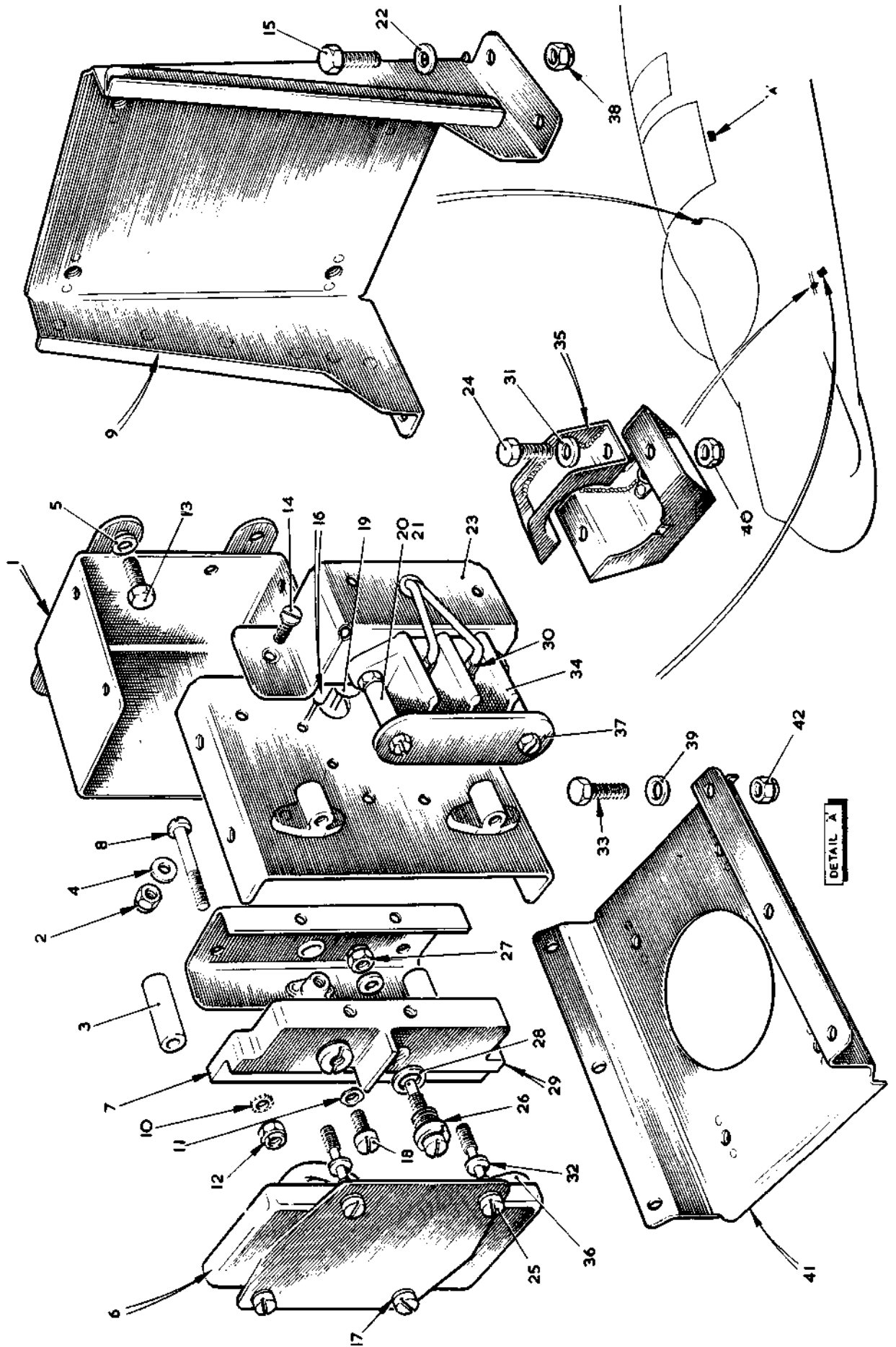


FIG. 23 ELECTRICAL EQUIPMENT IN FRONT FUSELAGE  
Restricted

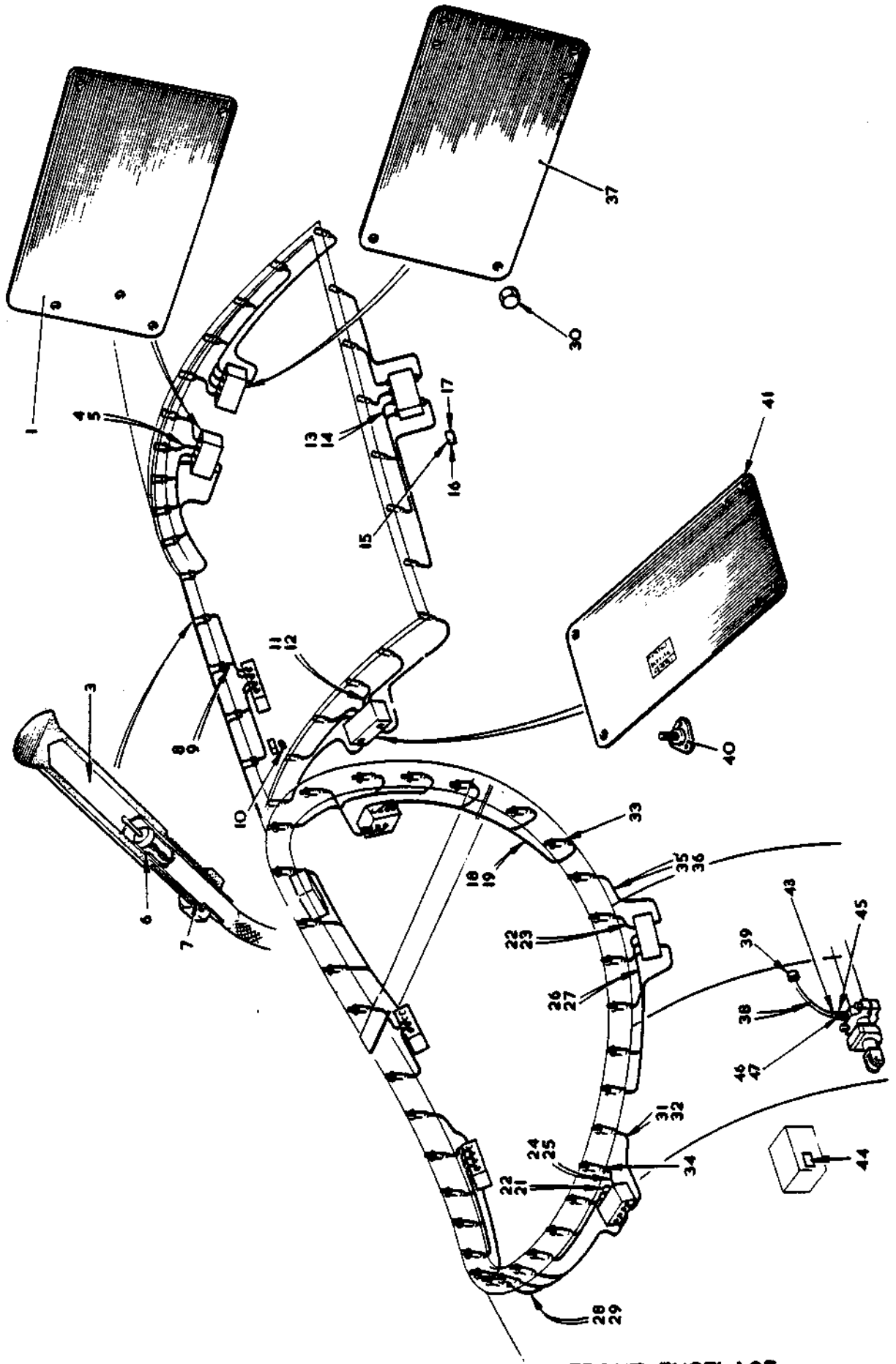


FIG. 24 ELECTRICAL EQUIPMENT IN FRONT FUSELAGE

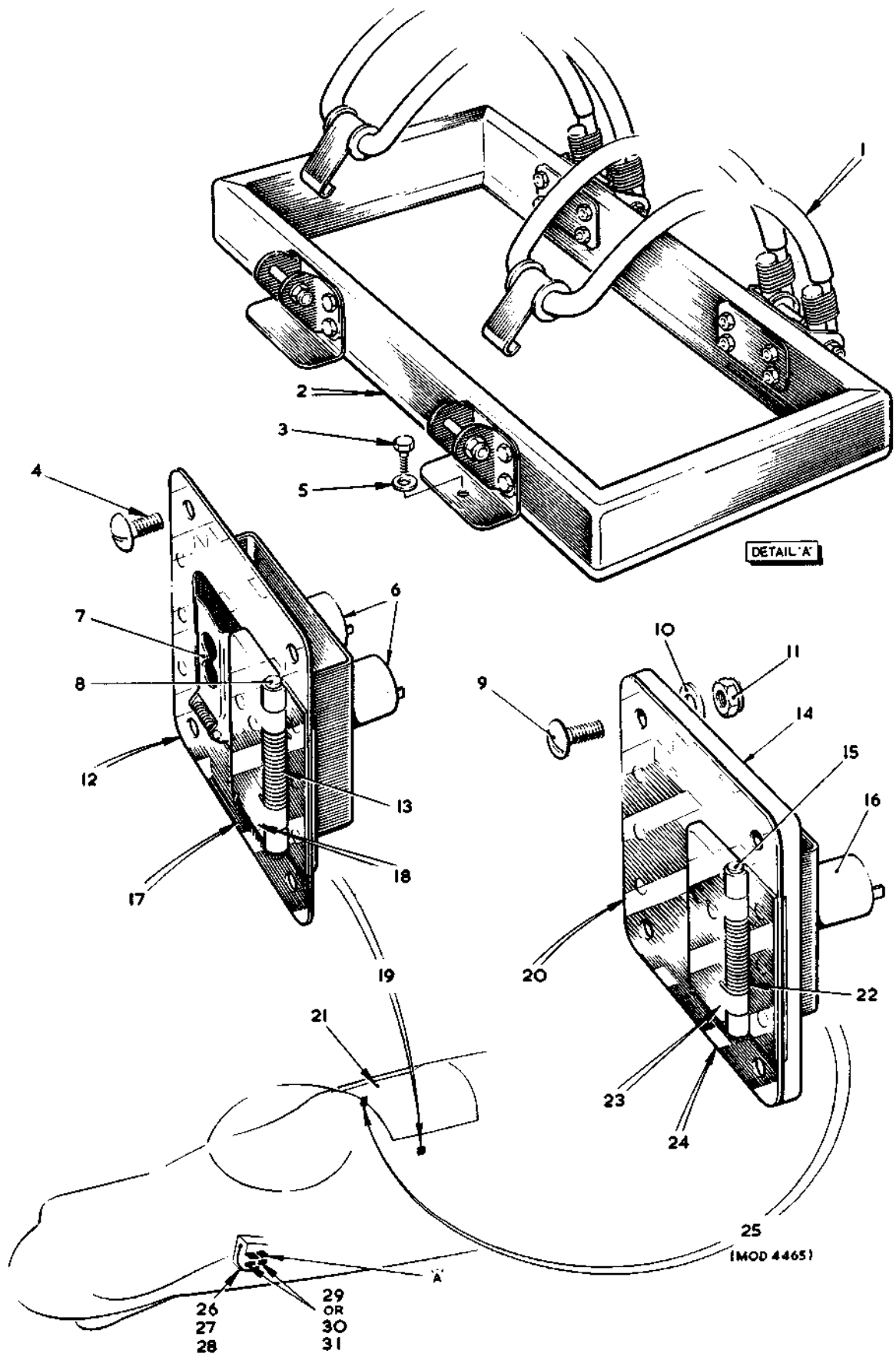


FIG. 25 ELECTRICAL EQUIPMENT IN FRONT FUSELAGE  
Restricted

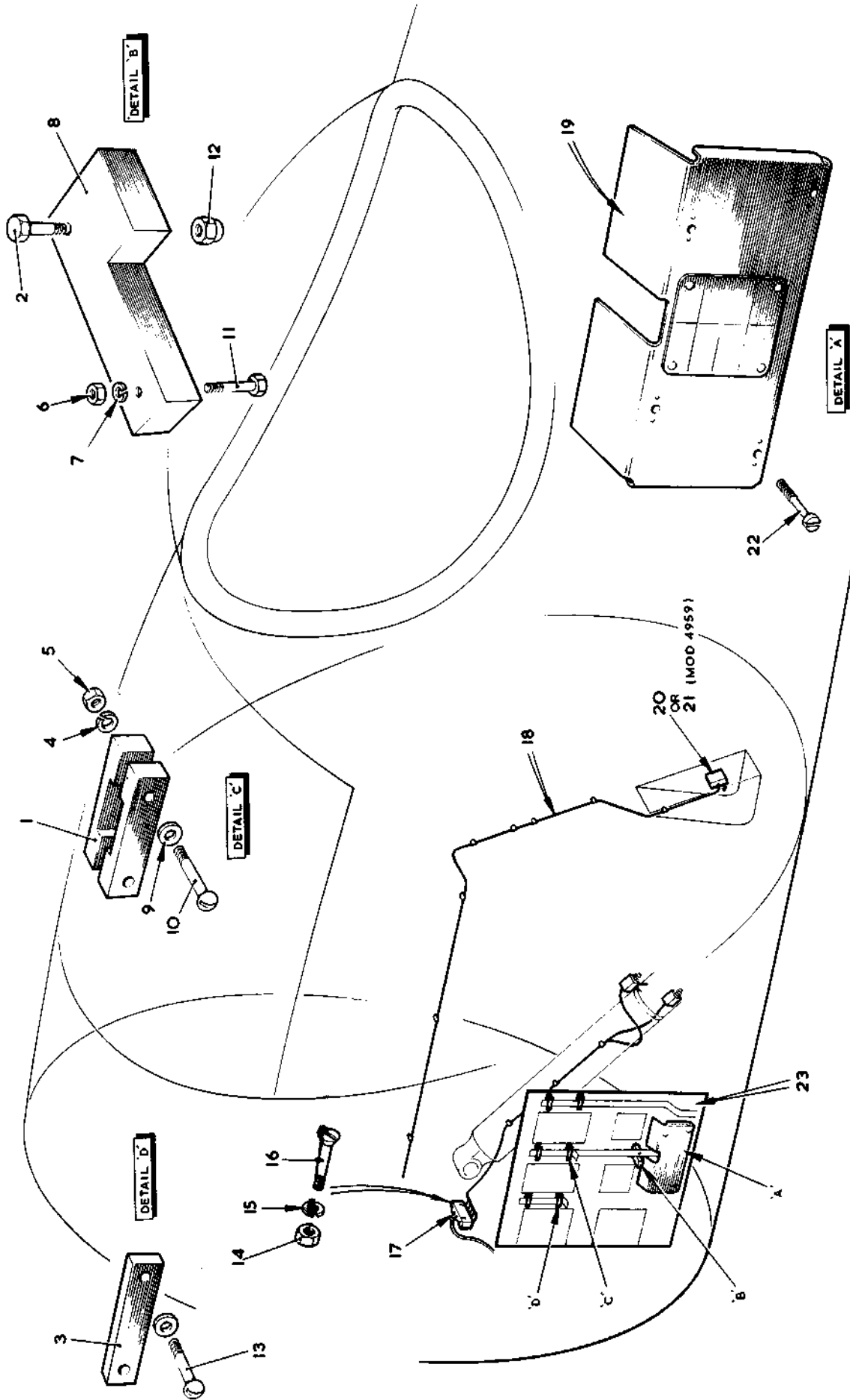
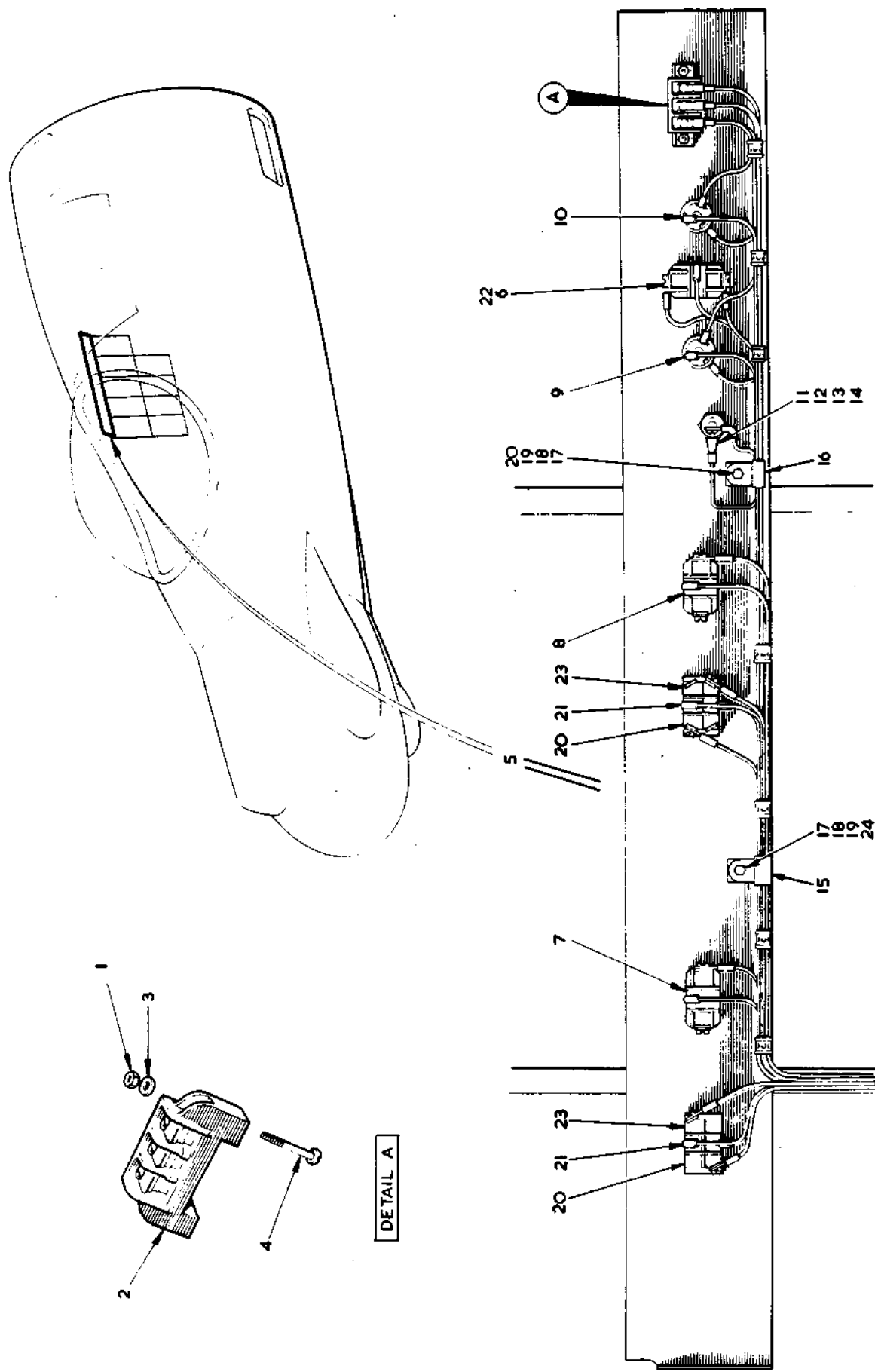


FIG. 26 ELECTRICAL EQUIPMENT IN FRONT FUSELAGE  
Restricted



DETAIL A

FIG.27 ELECTRICAL EQUIPMENT IN FRONT FUSELAGE  
T.MK.17 SECT E

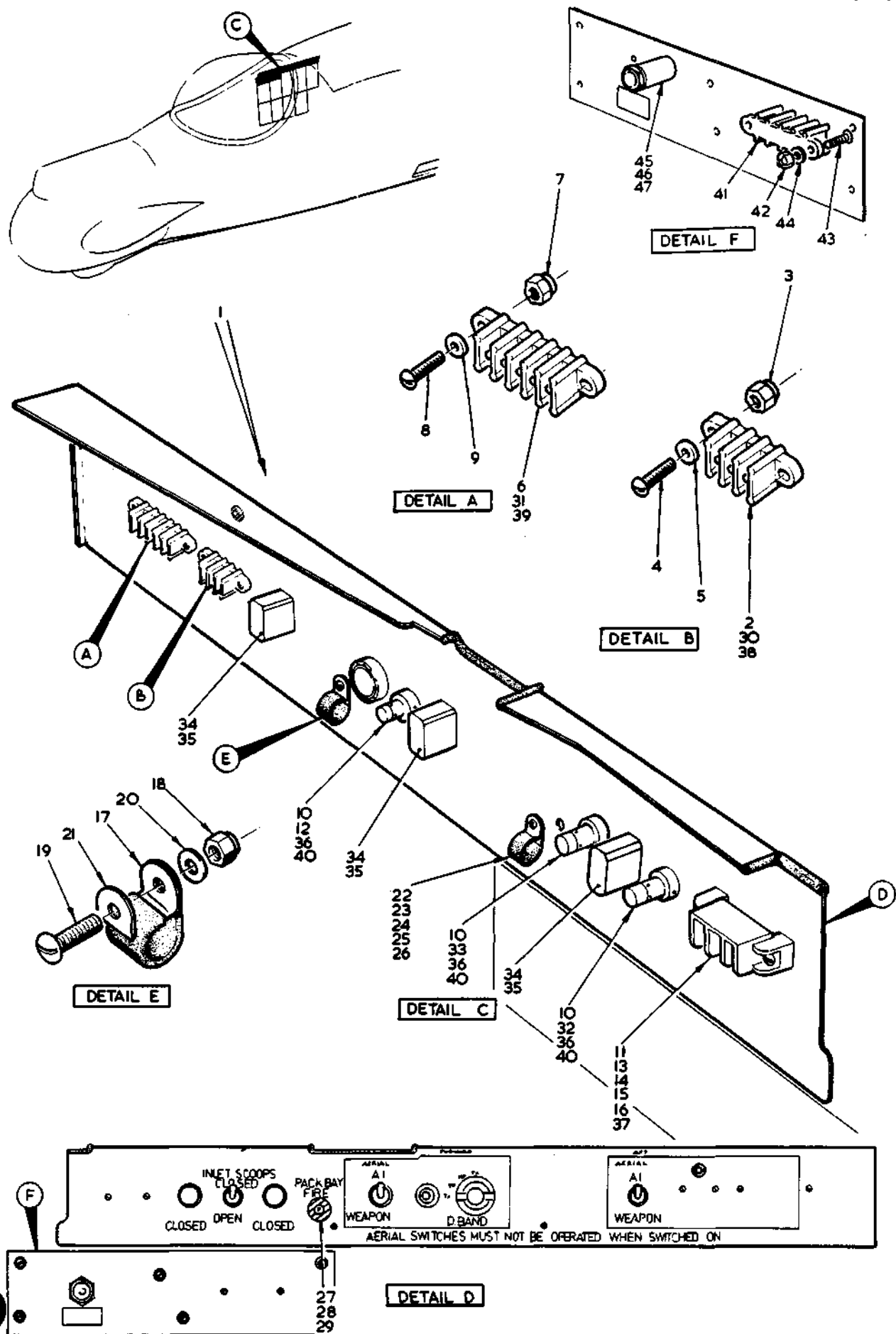


FIG. 27A ELECTRICAL EQUIPMENT IN FRONT FUSELAGE

T. MK.17 SECT. E

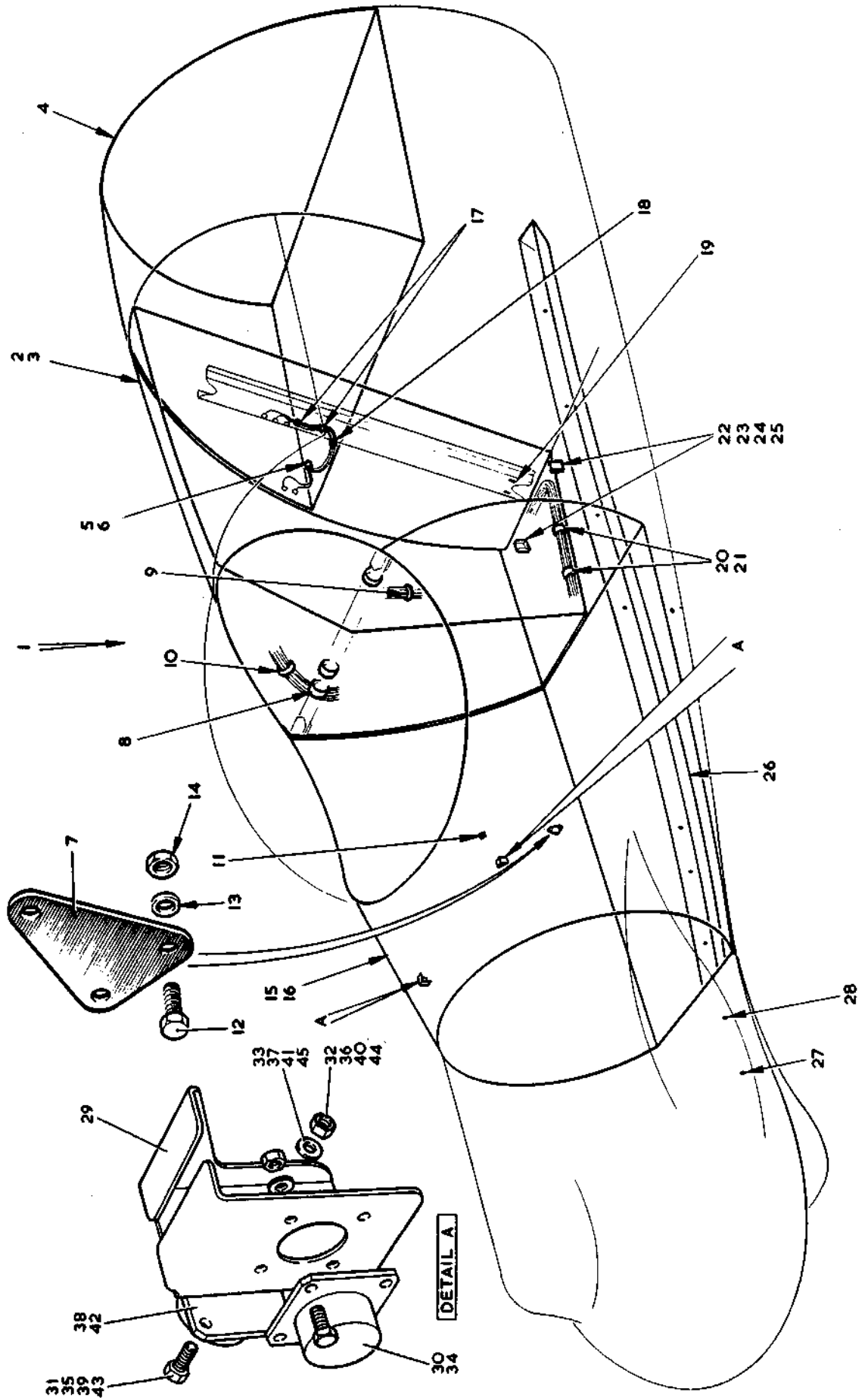


FIG. 28 WIRING AND CLIPPING FUSELAGE ASSEMBLY

Restricted

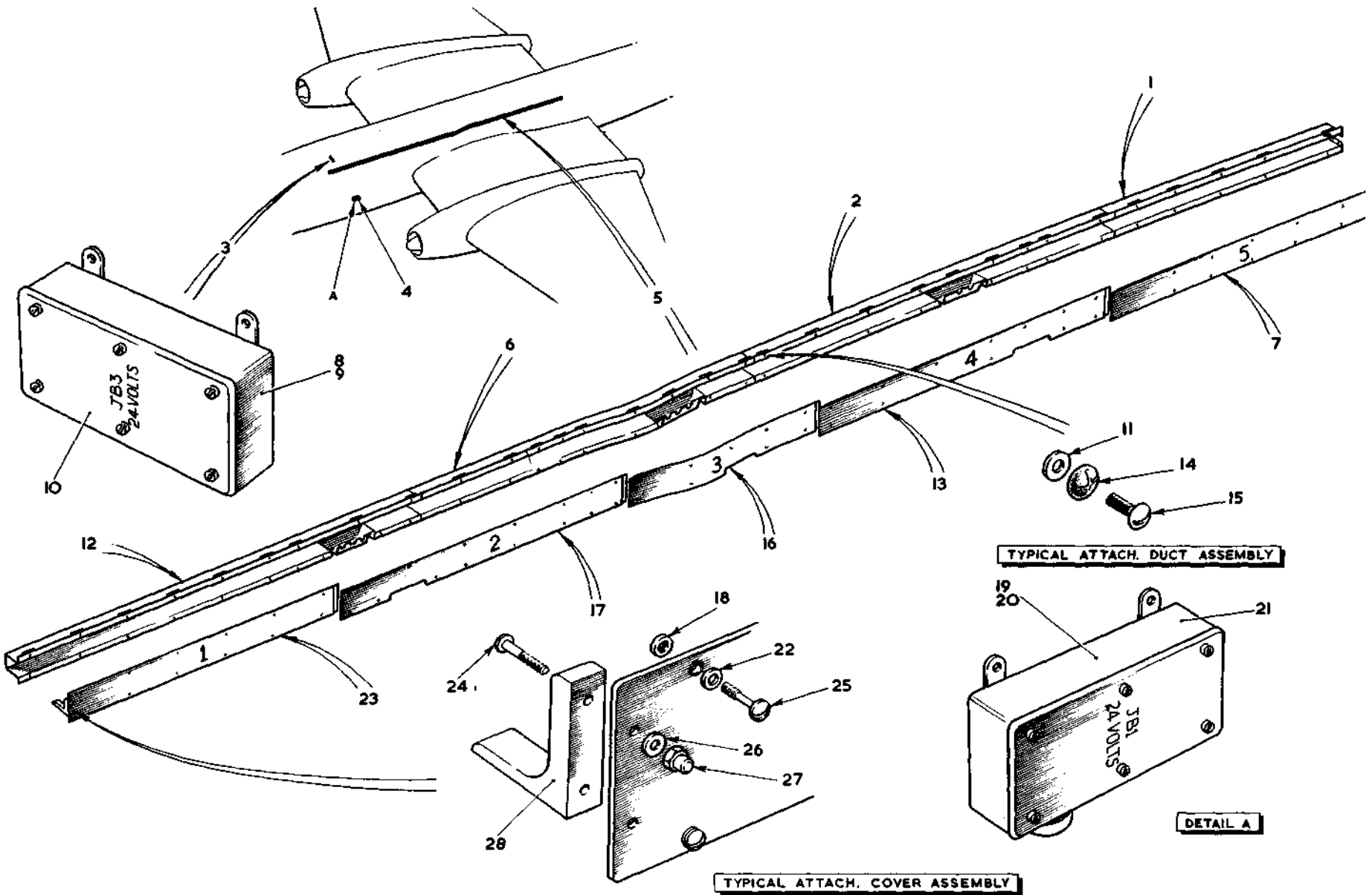


FIG. 29 ELECTRICAL EQUIPMENT IN CENTRE FUSALAGE

Restricted

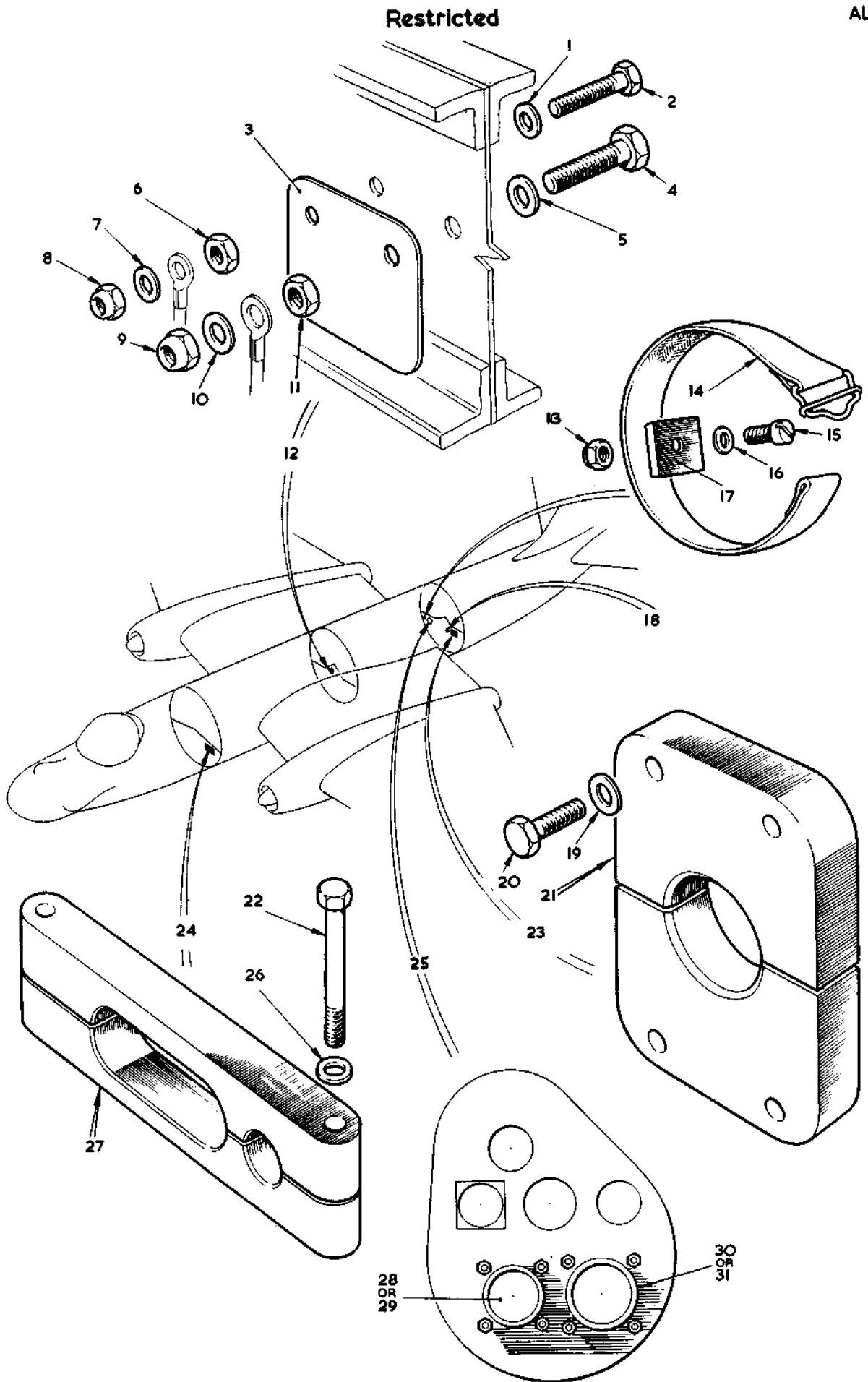


FIG.30 ELECTRICAL EQUIPMENT IN CENTRE FUSALAGE  
Restricted

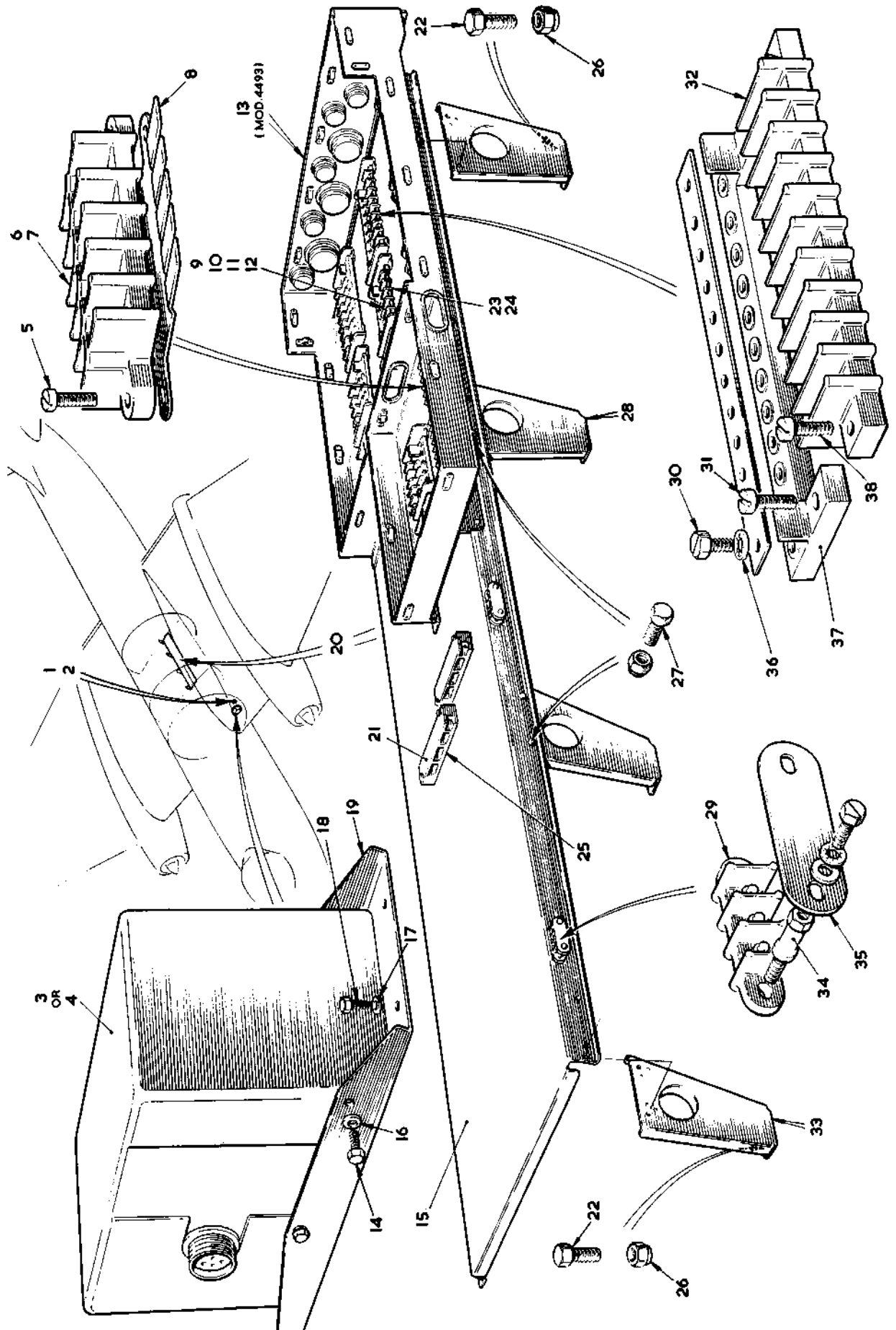


FIG. 31 ELECTRICAL EQUIPMENT IN CENTRE FUSELAGE  
Restricted

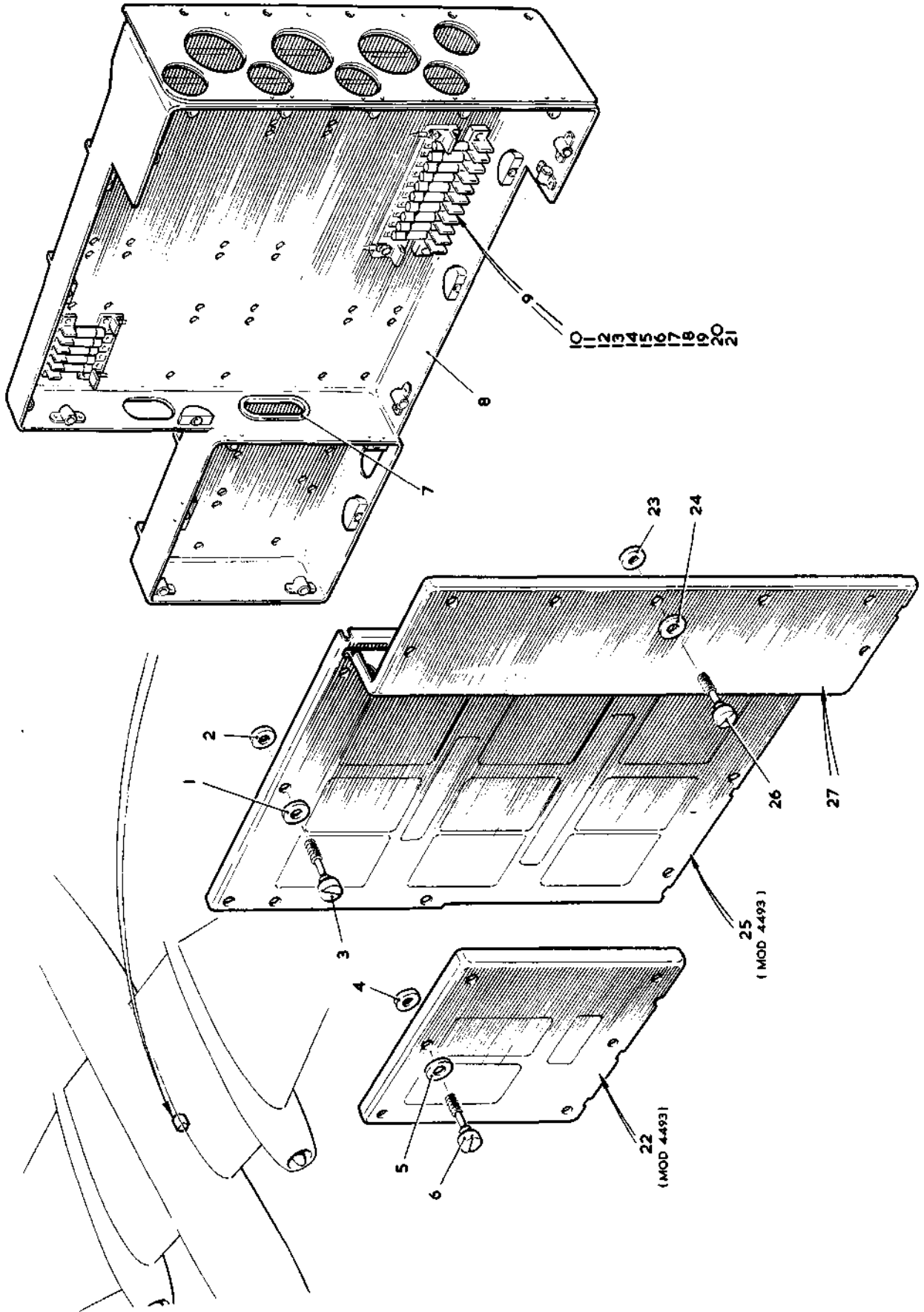


FIG. 32 ELECTRICAL EQUIPMENT IN CENTRE FUSALAGE

Restricted

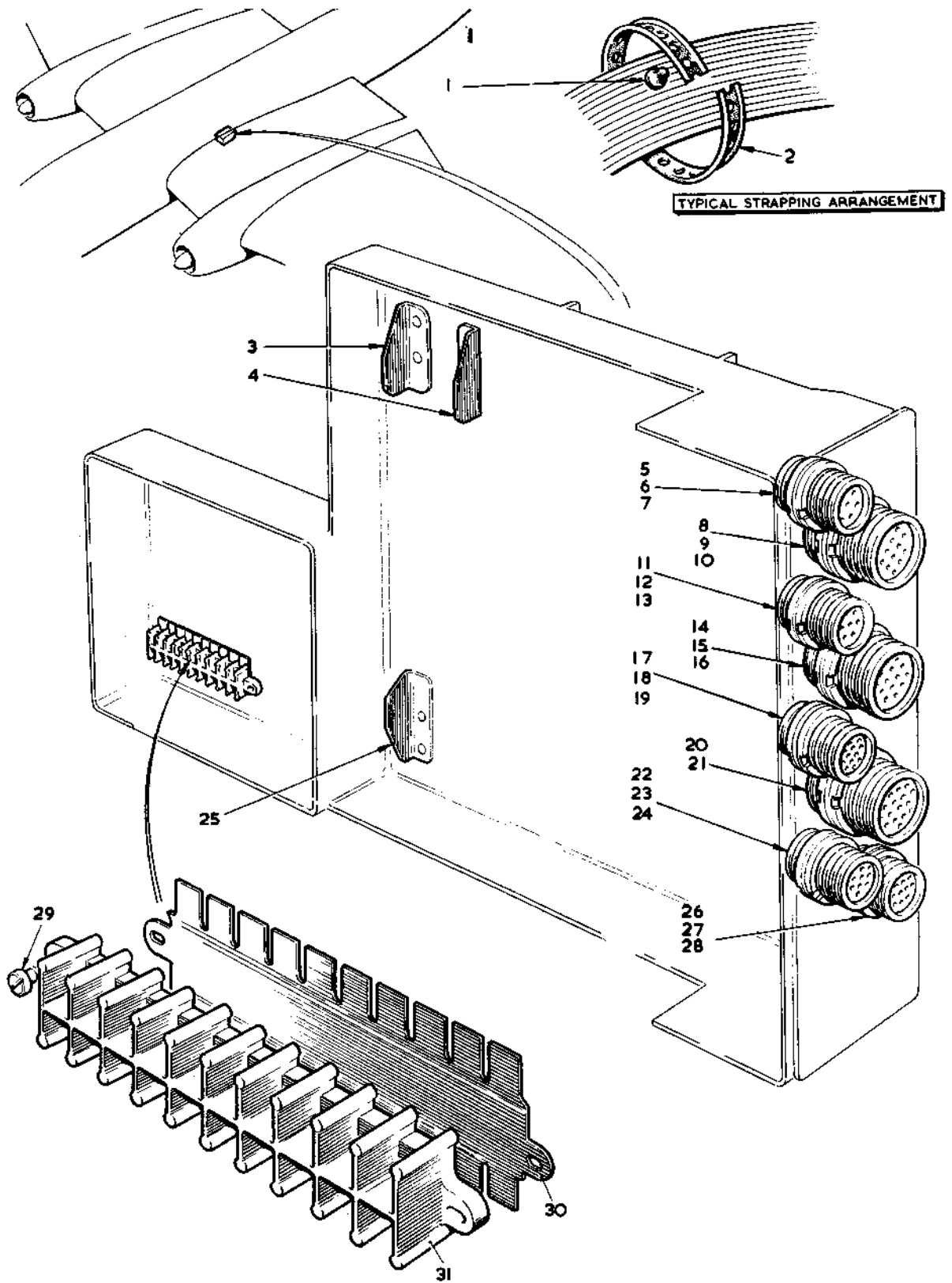


FIG33. ELECTRICAL EQUIPMENT IN CENTRE FUSELAGE  
Restricted

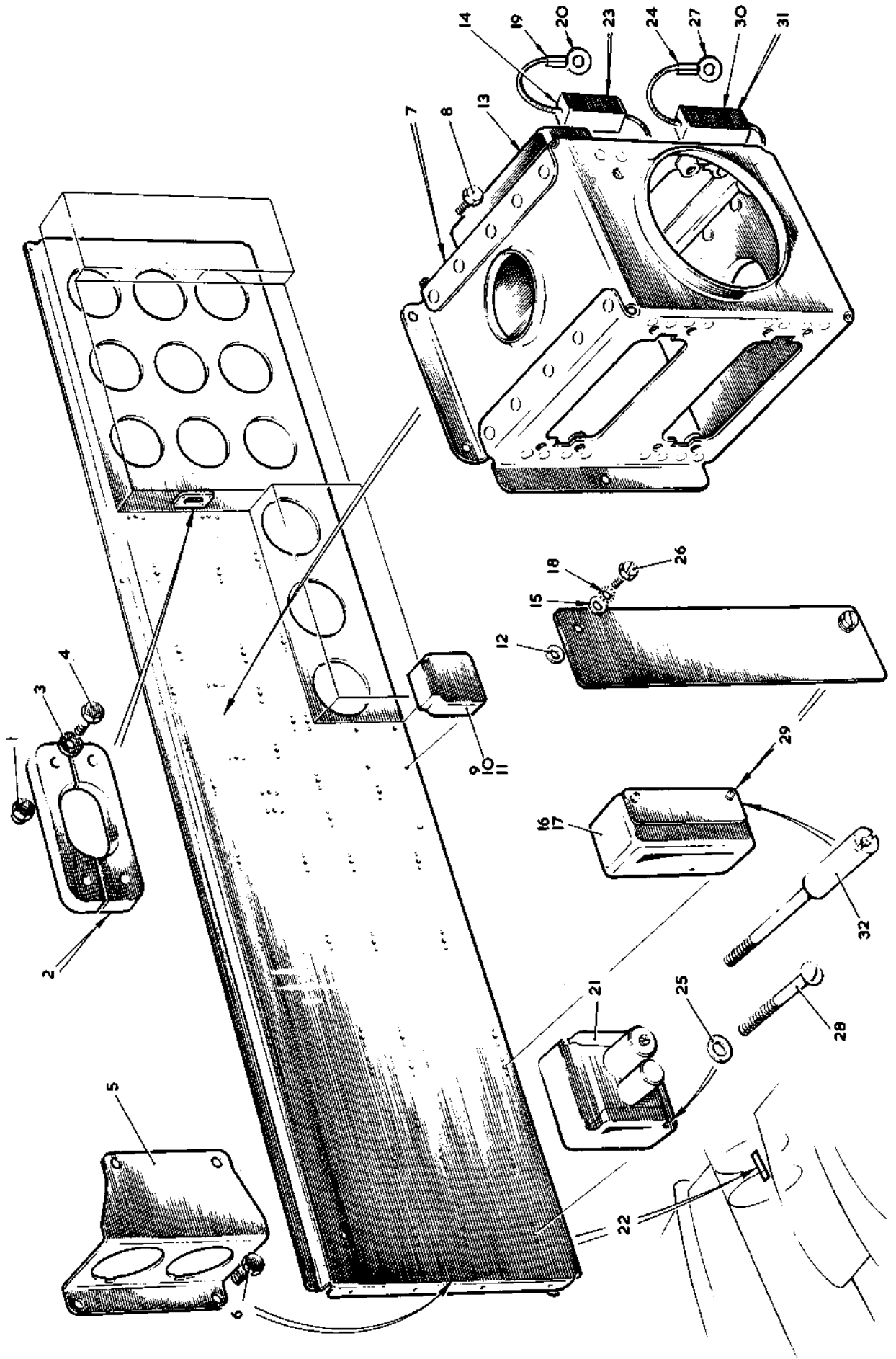


FIG.34 ELECTRICAL EQUIPMENT IN CENTRE FUSALAGE  
Restricted

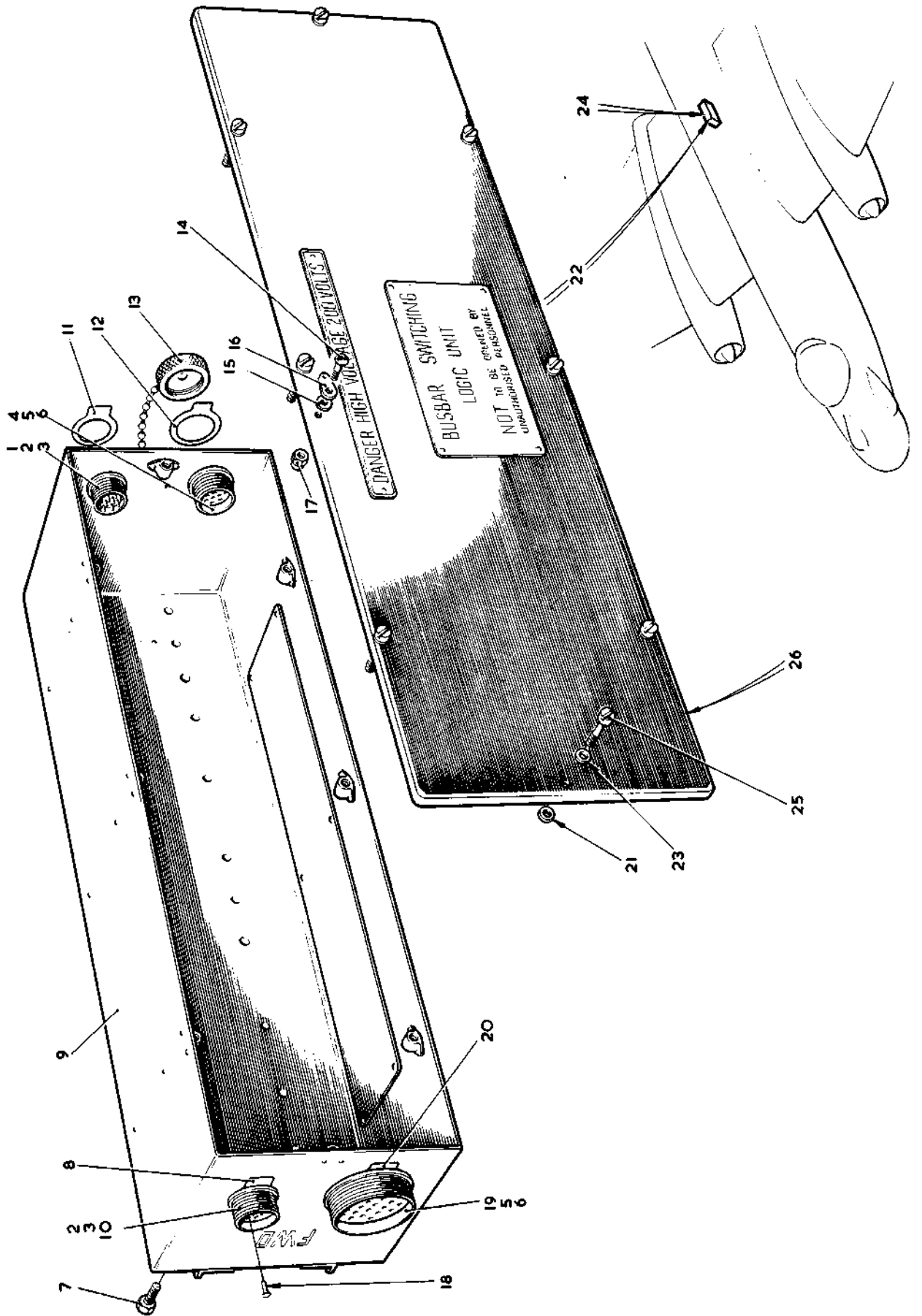


FIG.35 ELECTRICAL EQUIPMENT IN CENTRE FUSELAGE

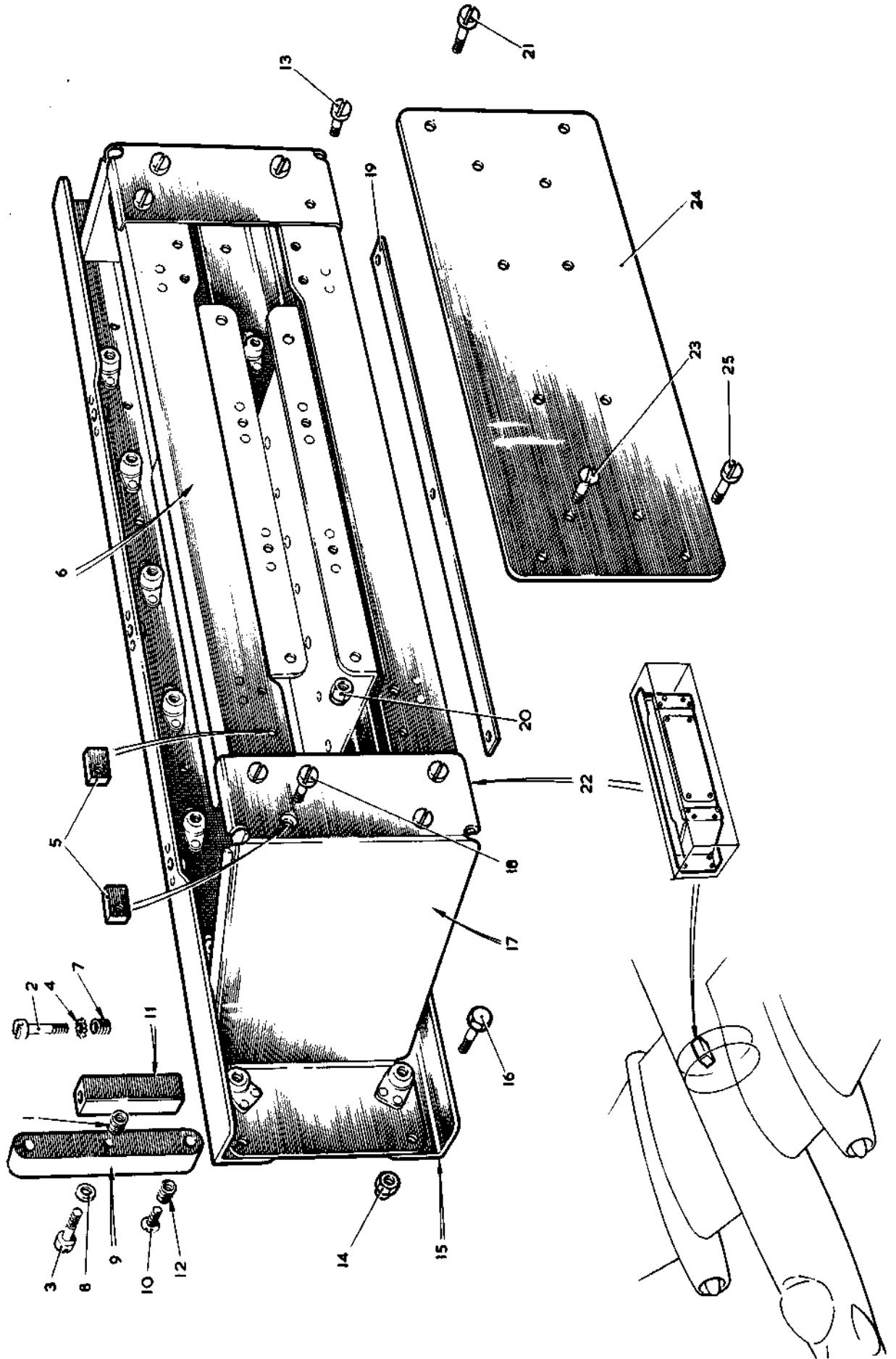


FIG.36 ELECTRICAL EQUIPMENT IN CENTRE FUSELAGE

Restricted

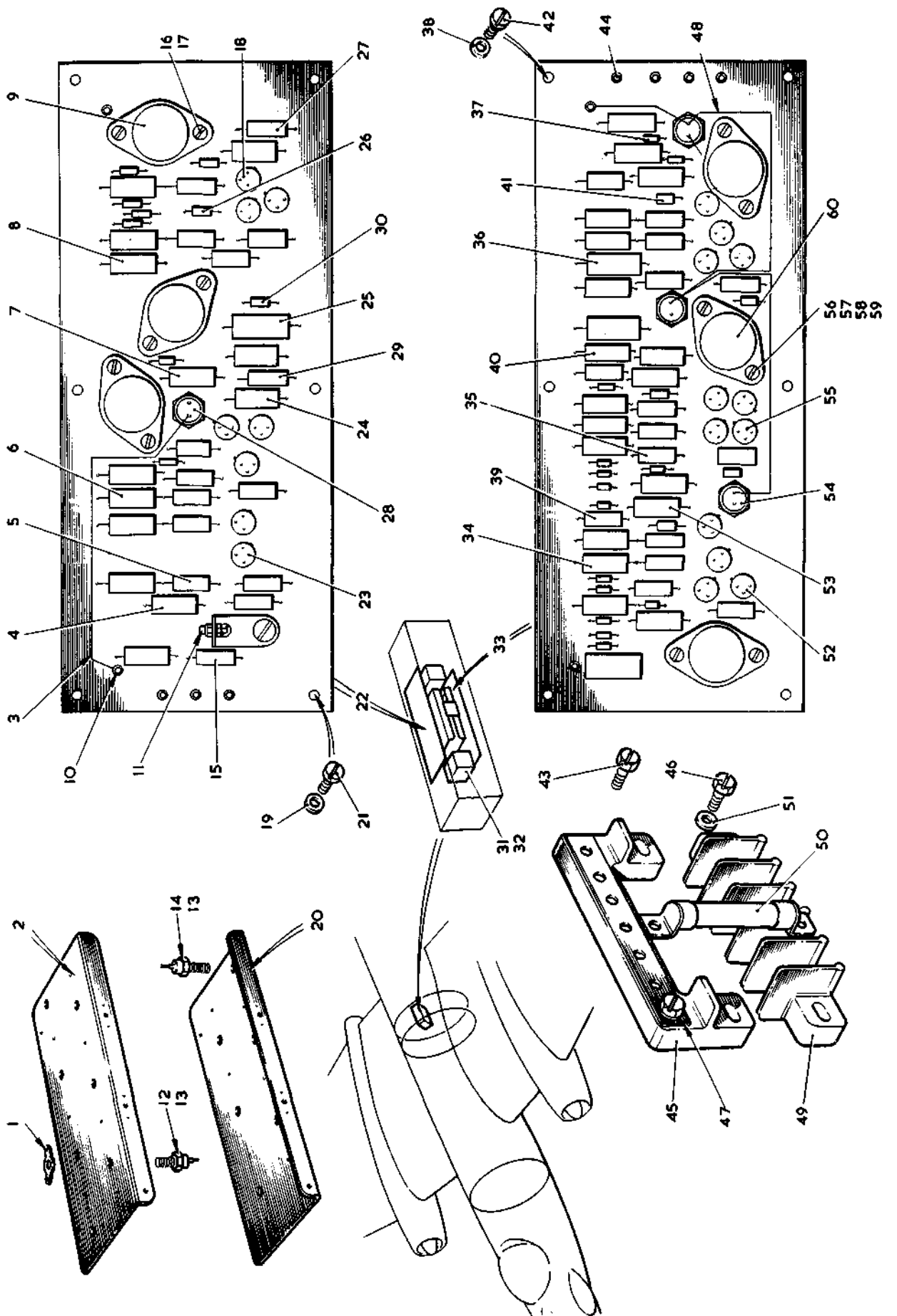


FIG 37. ELECTRICAL EQUIPMENT IN CENTRE FUSELAGE

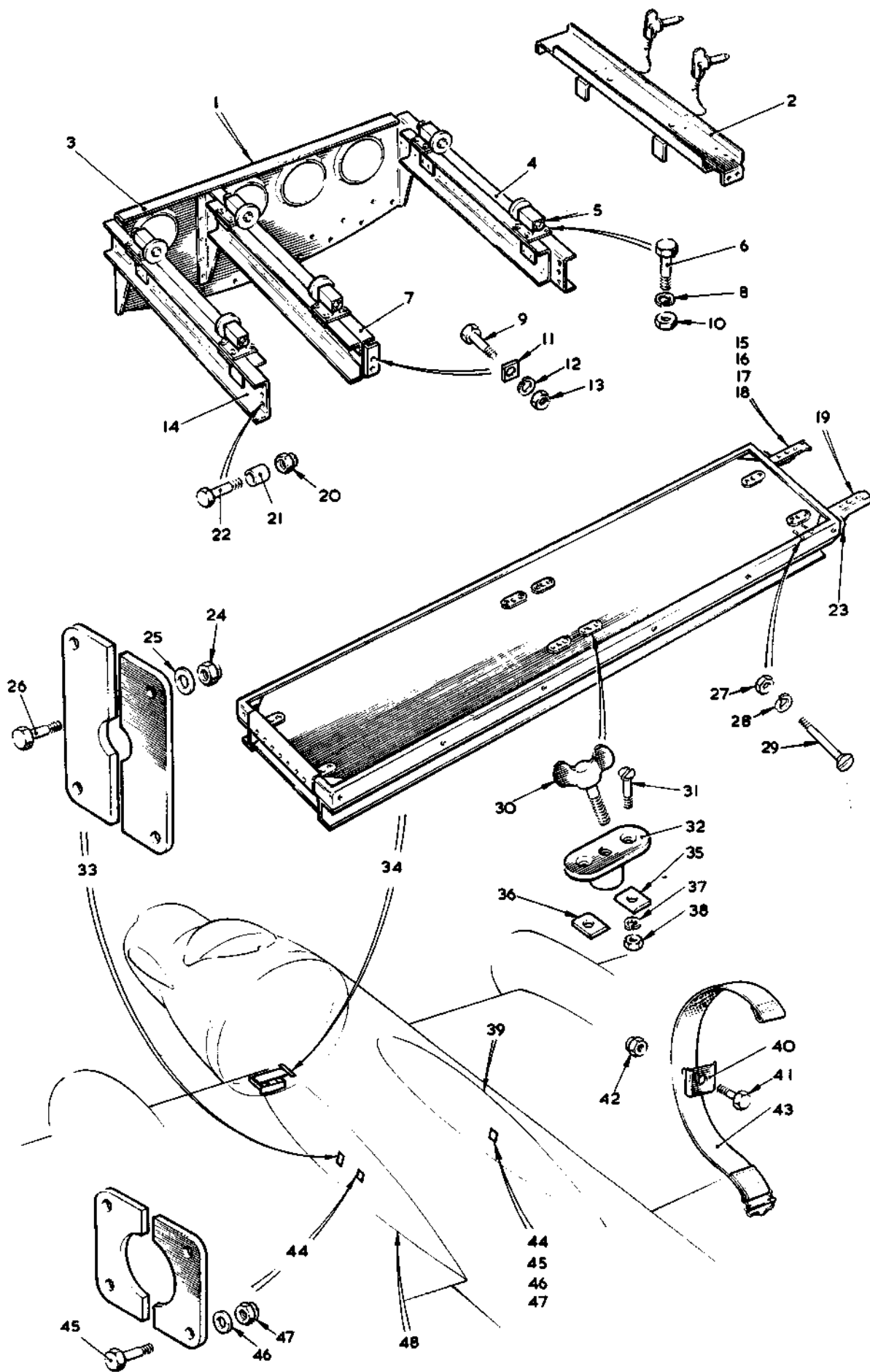


FIG.38 ELECTRICAL EQUIPMENT IN CENTRE FUSELAGE

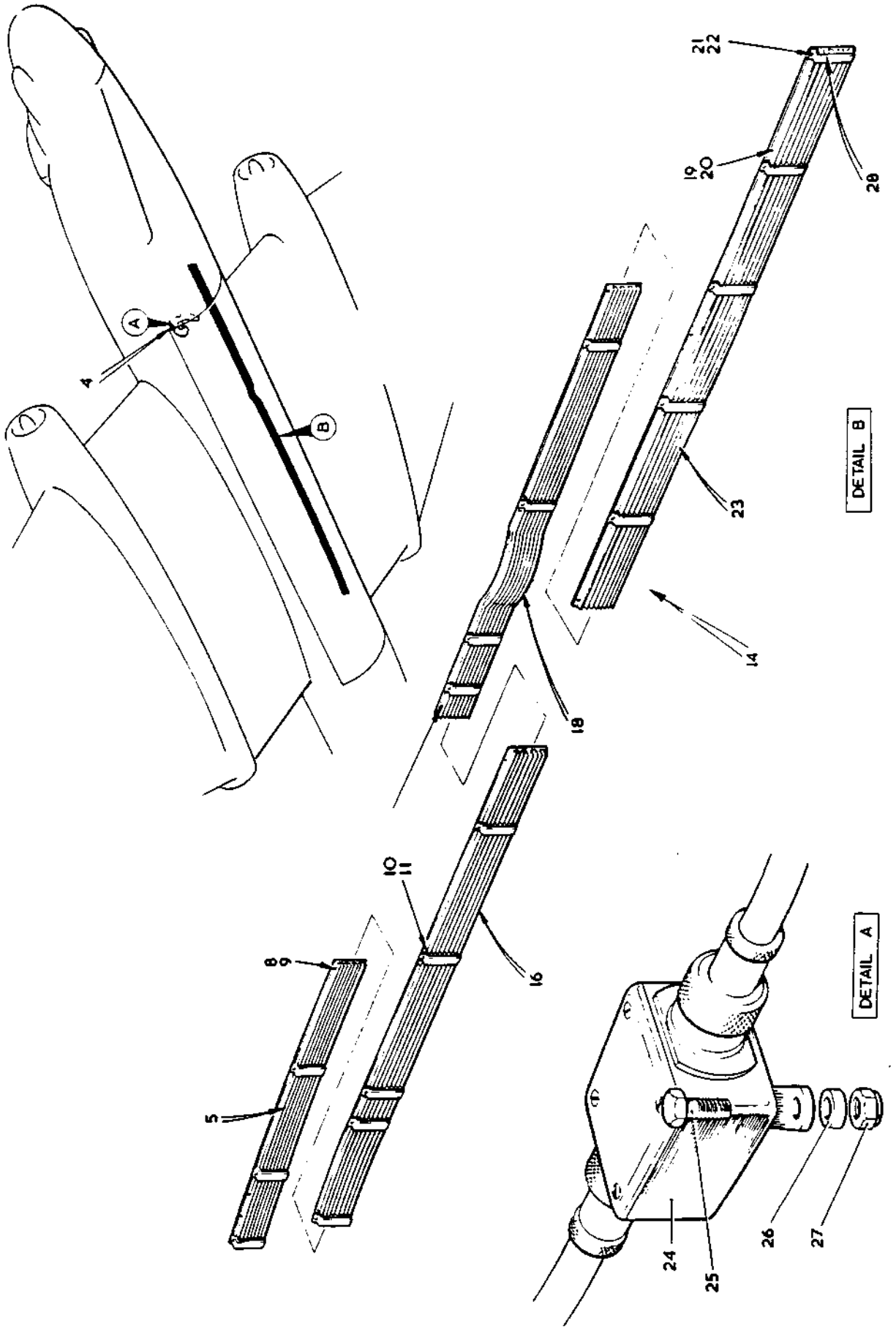


FIG39 ELECTRICAL EQUIPMENT IN CENTRE FUSELAGE

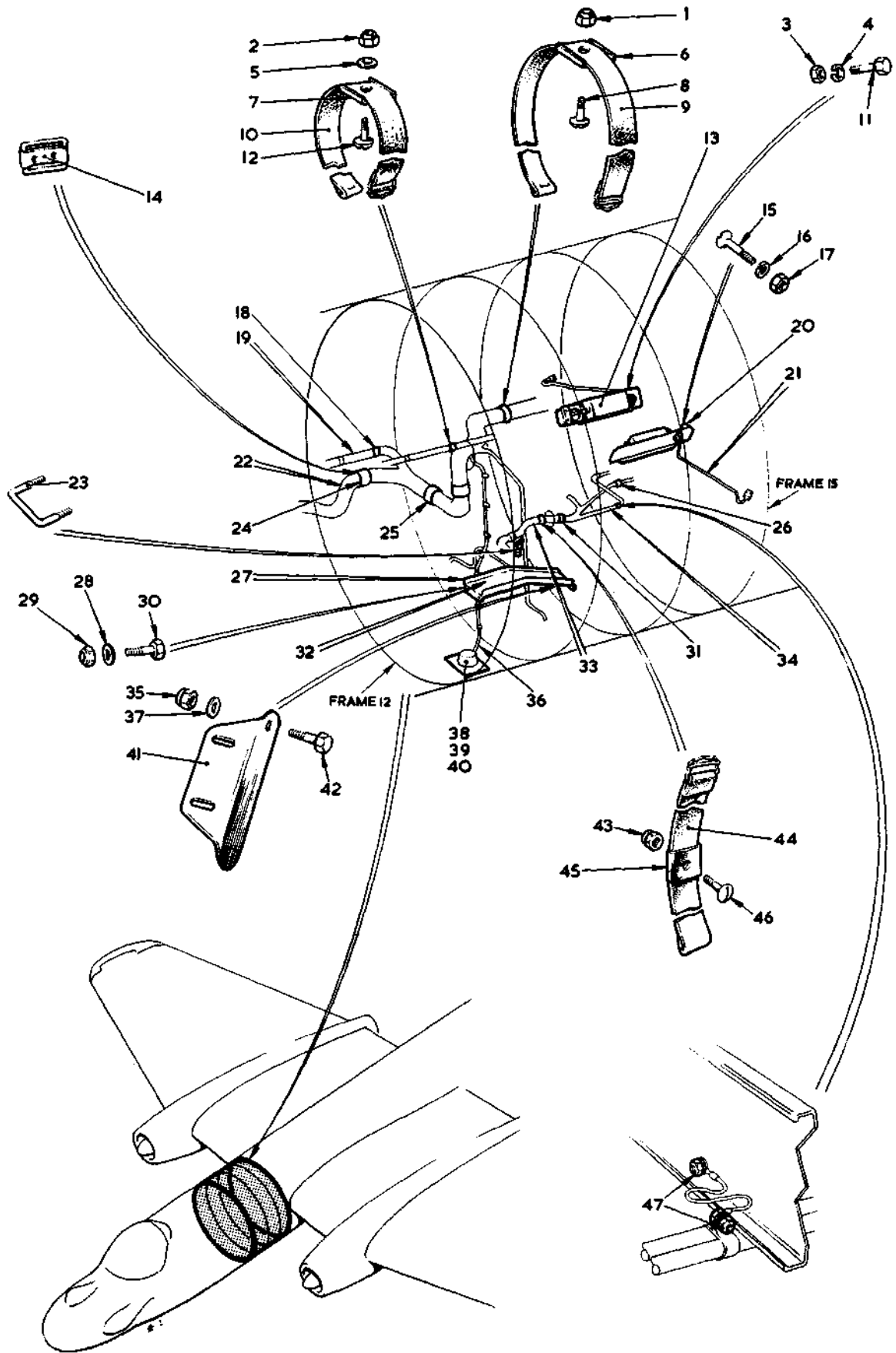


FIG.40 ELECTRICAL EQUIPMENT IN CENTRE FUSELAGE

Restricted

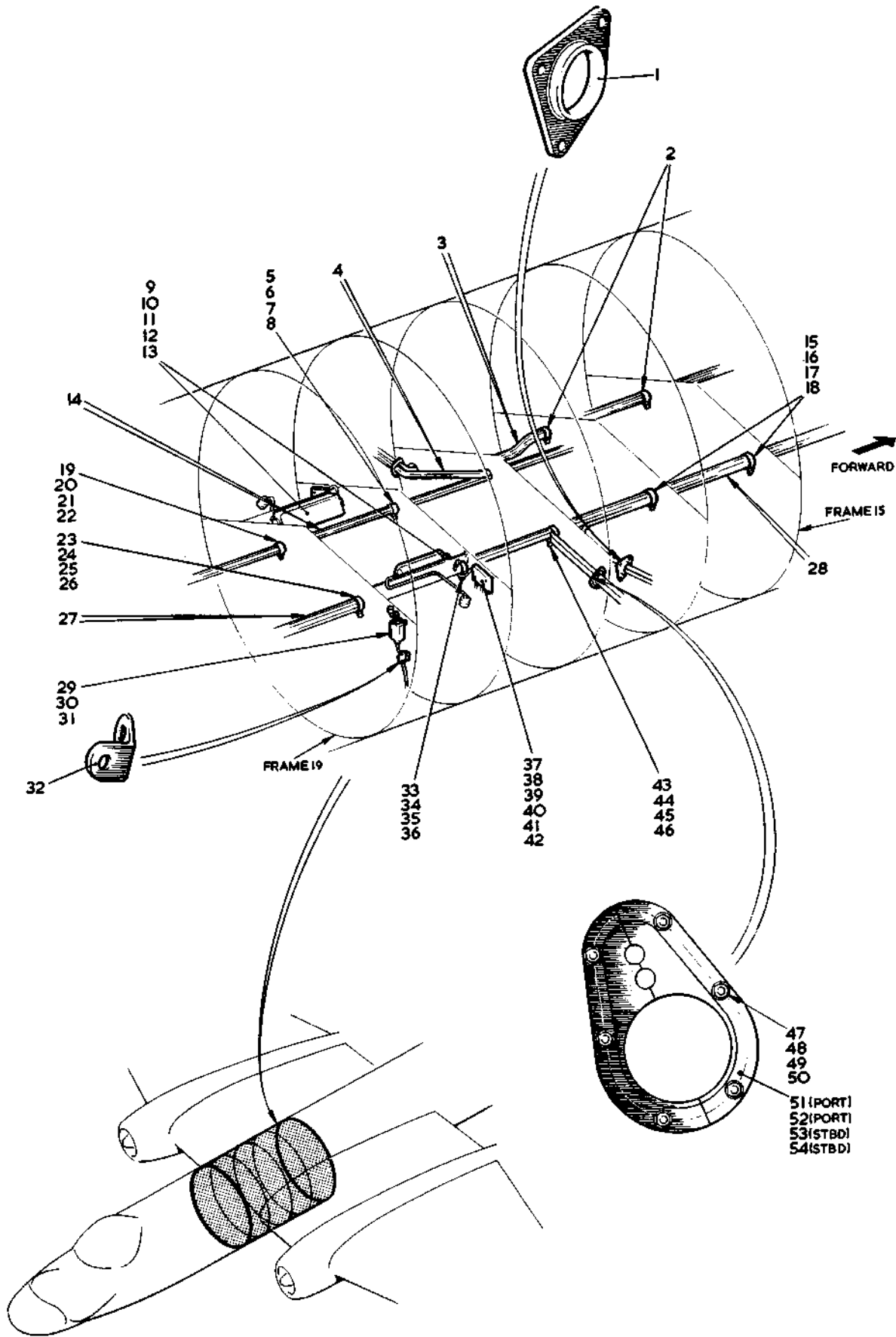


FIG.41 ELECTRICAL EQUIPMENT IN CENTRE FUSLAGE

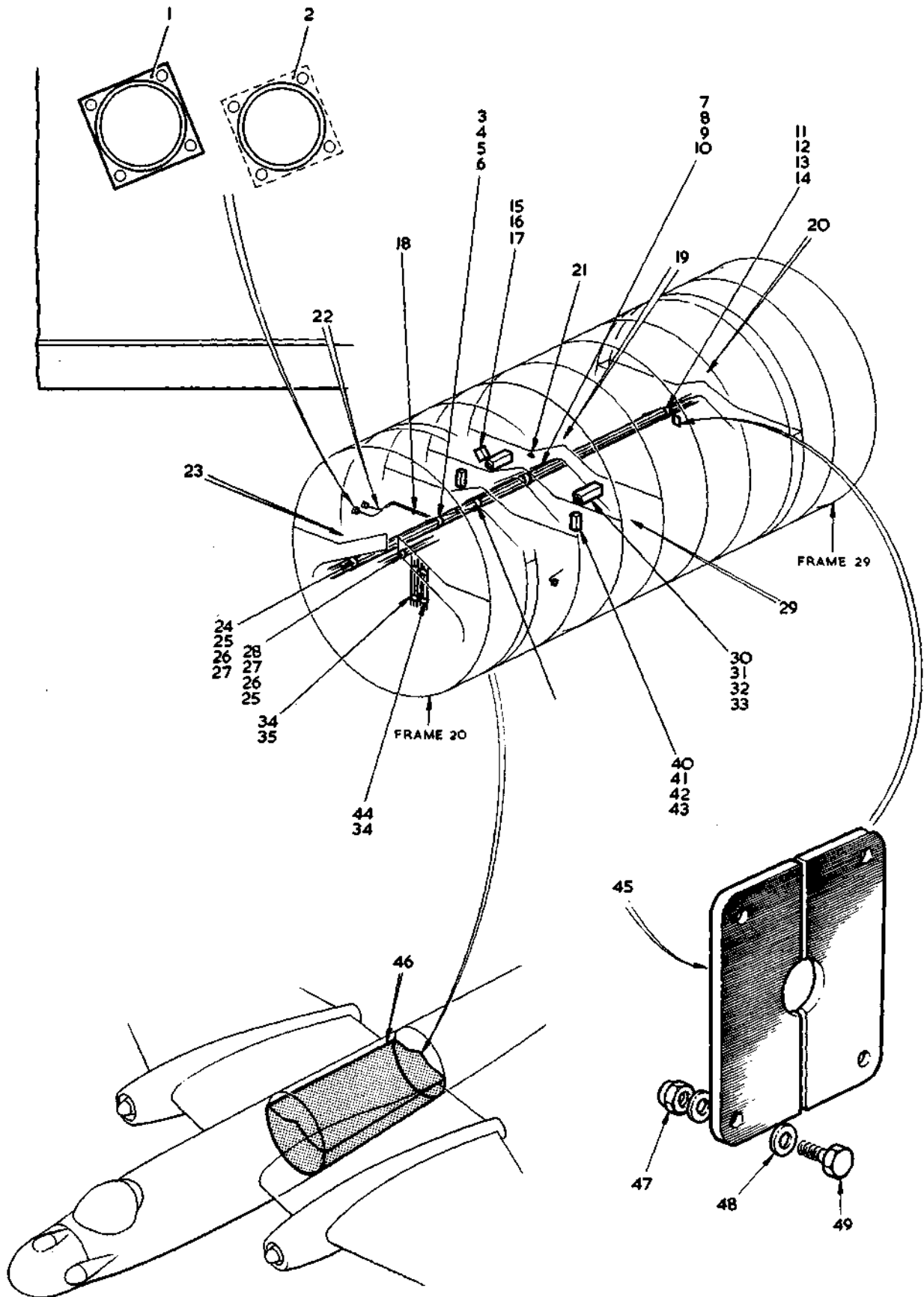


FIG.42 ELECTRICAL EQUIPMENT IN CENTRE FUSELAGE

Restricted

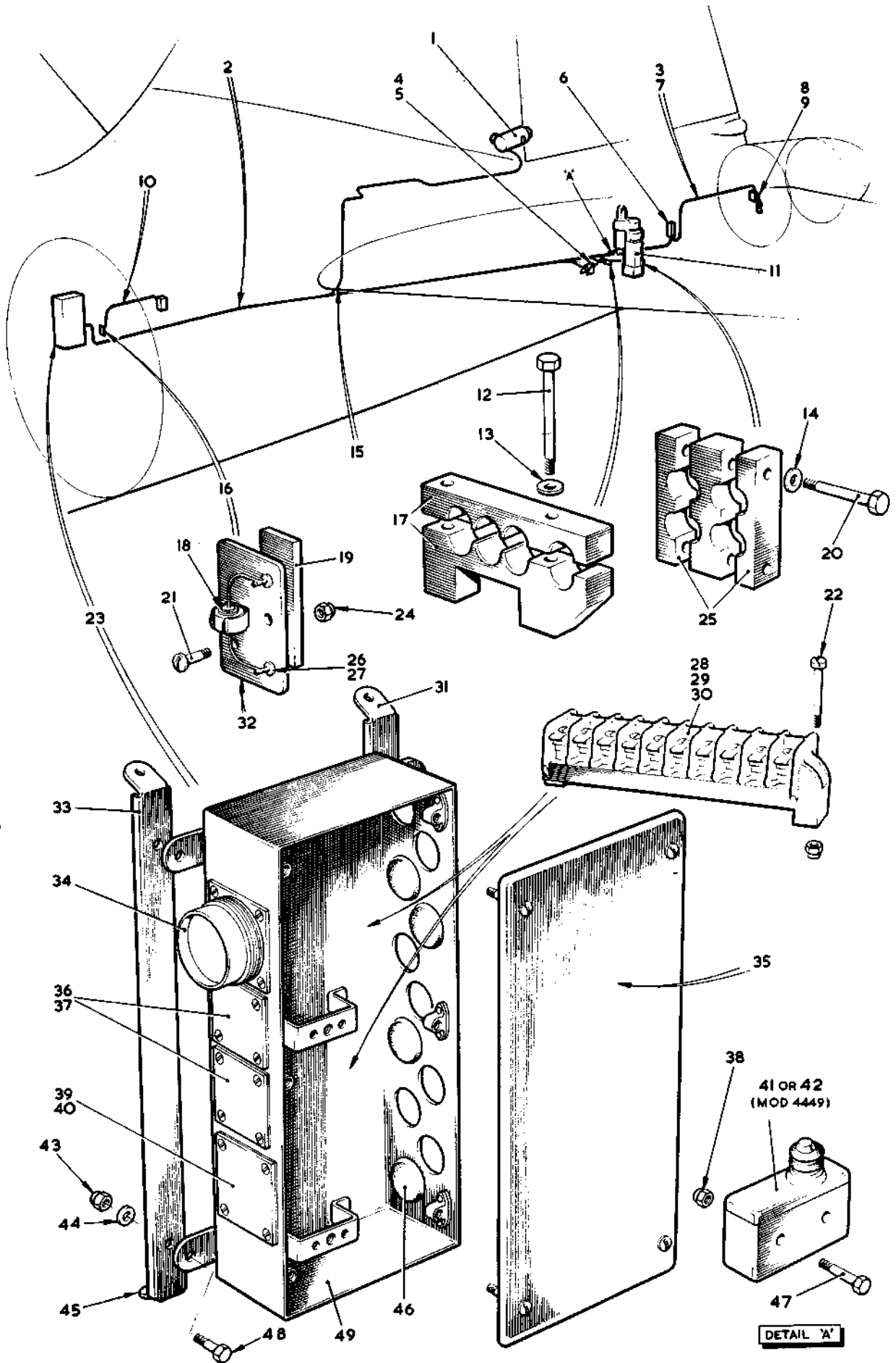


FIG. 43 ELECTRICAL EQUIPMENT IN REAR FUSELAGE  
Restricted

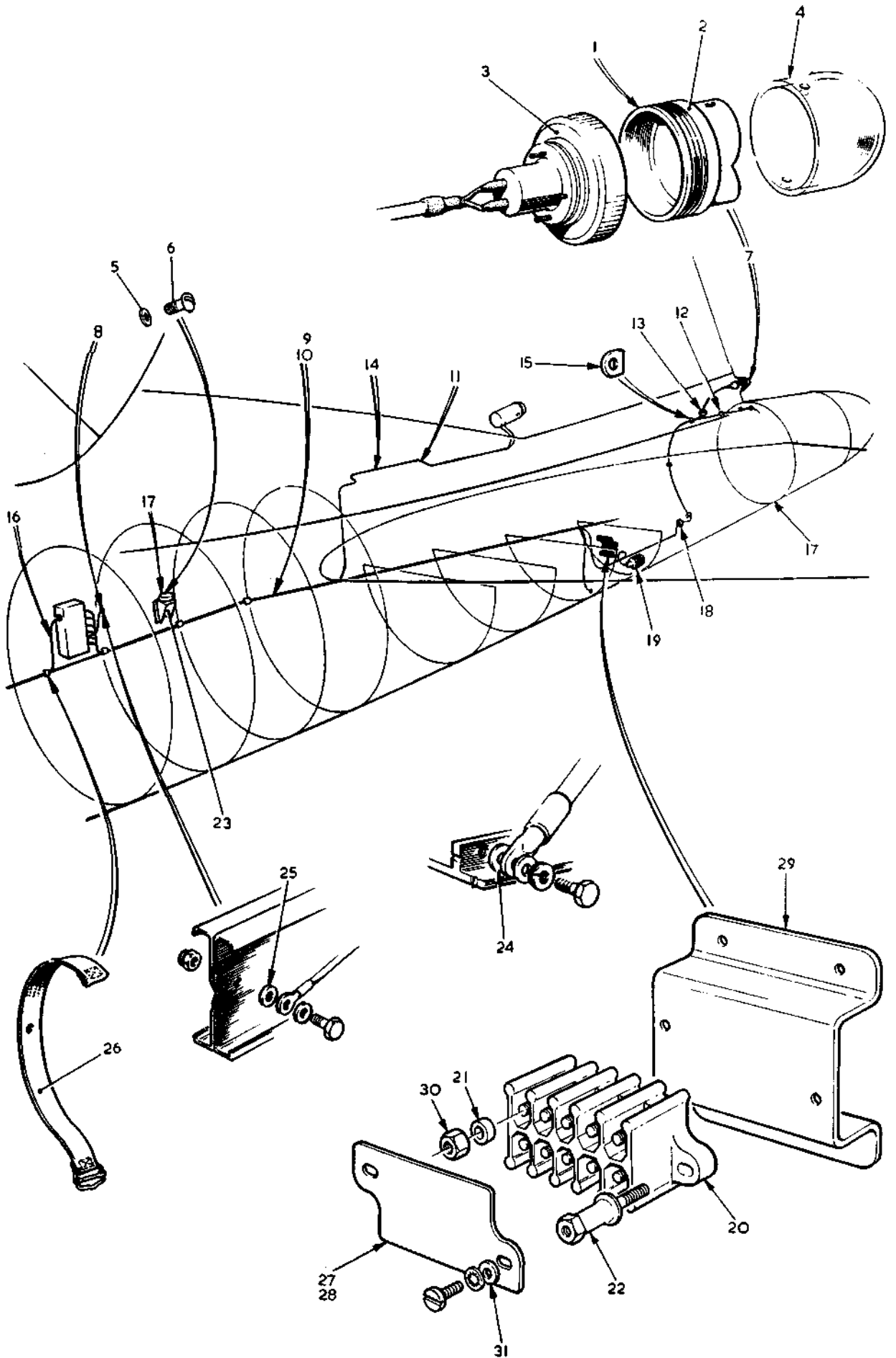


FIG. 44 ELECTRICAL EQUIPMENT IN REAR FUSELAGE  
Restricted

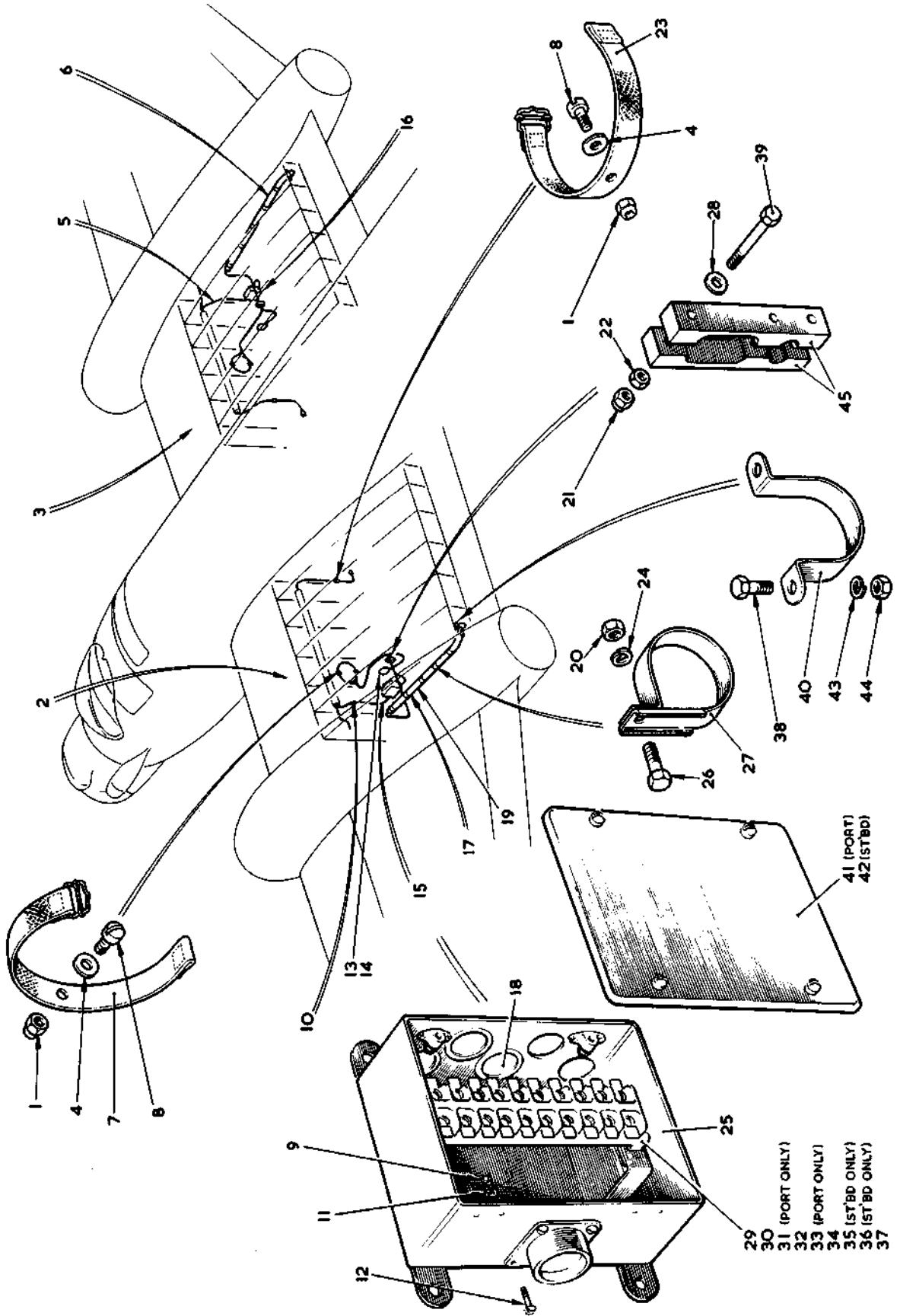


FIG. 45 ELECTRICAL EQUIPMENT IN PORT AND STARBOARD WINGS  
Restricted

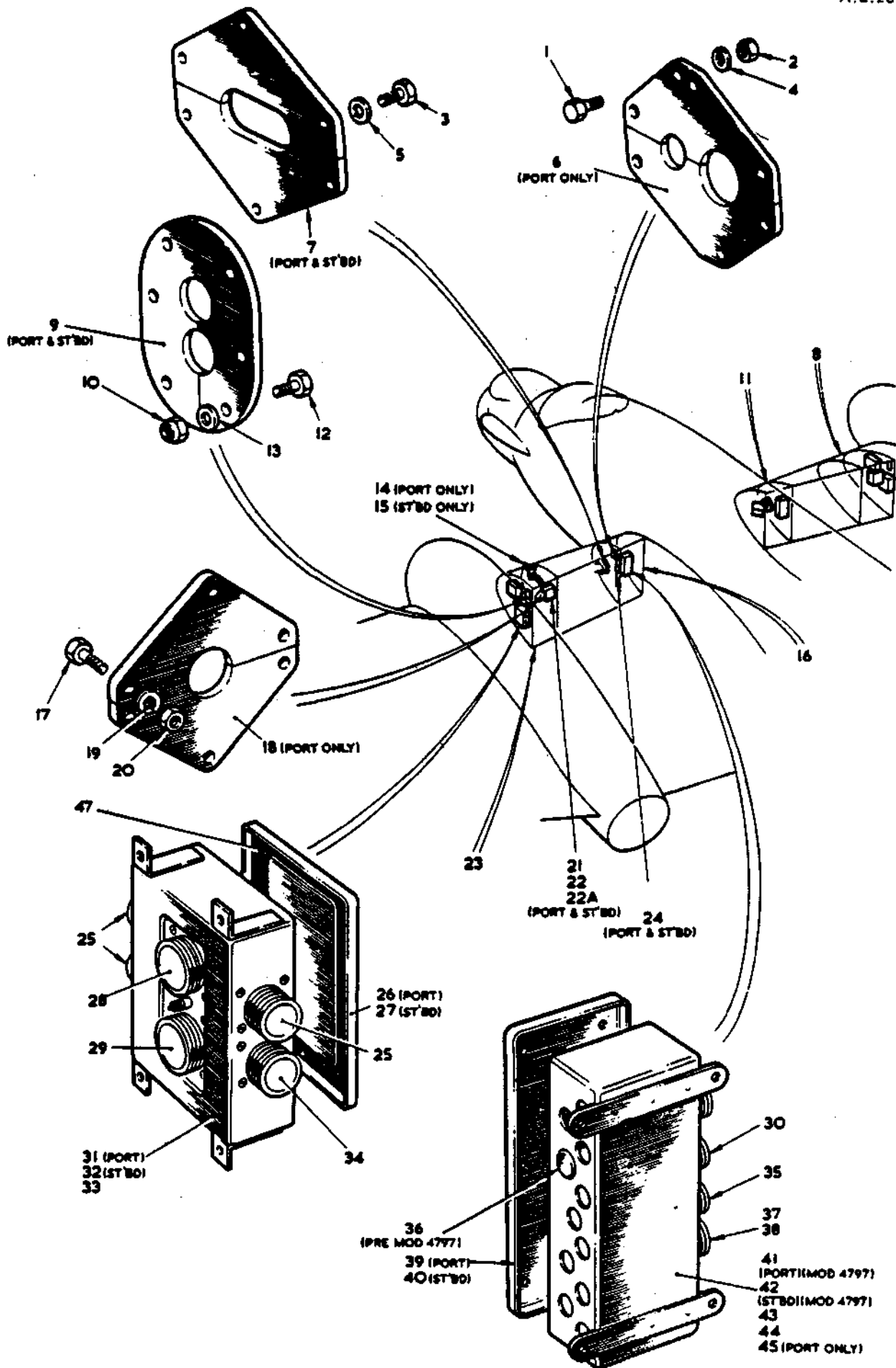


FIG.46 ELECTRICAL EQUIPMENT IN PORT AND STARBOARD WINGS

T MK17 SECT. E

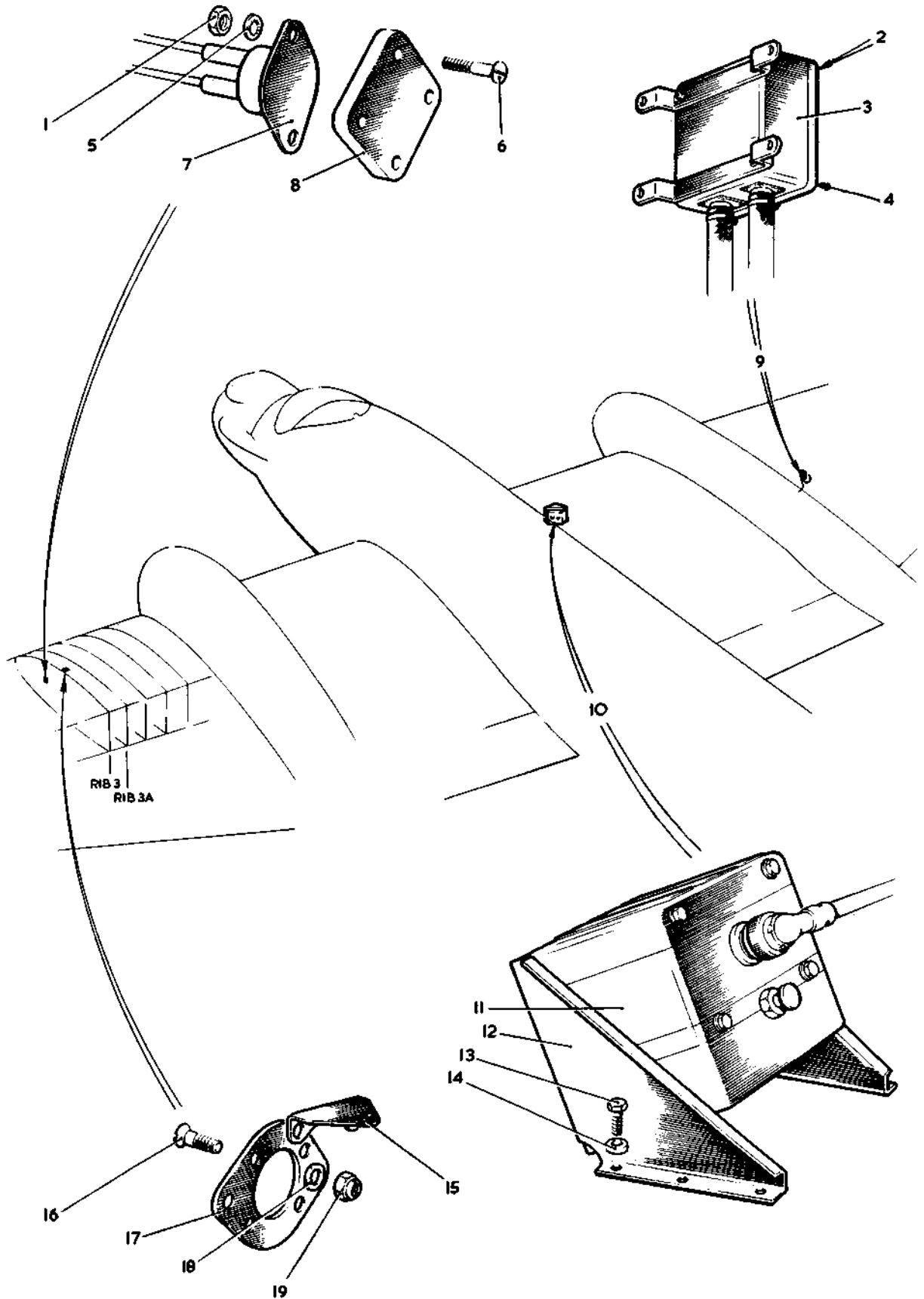
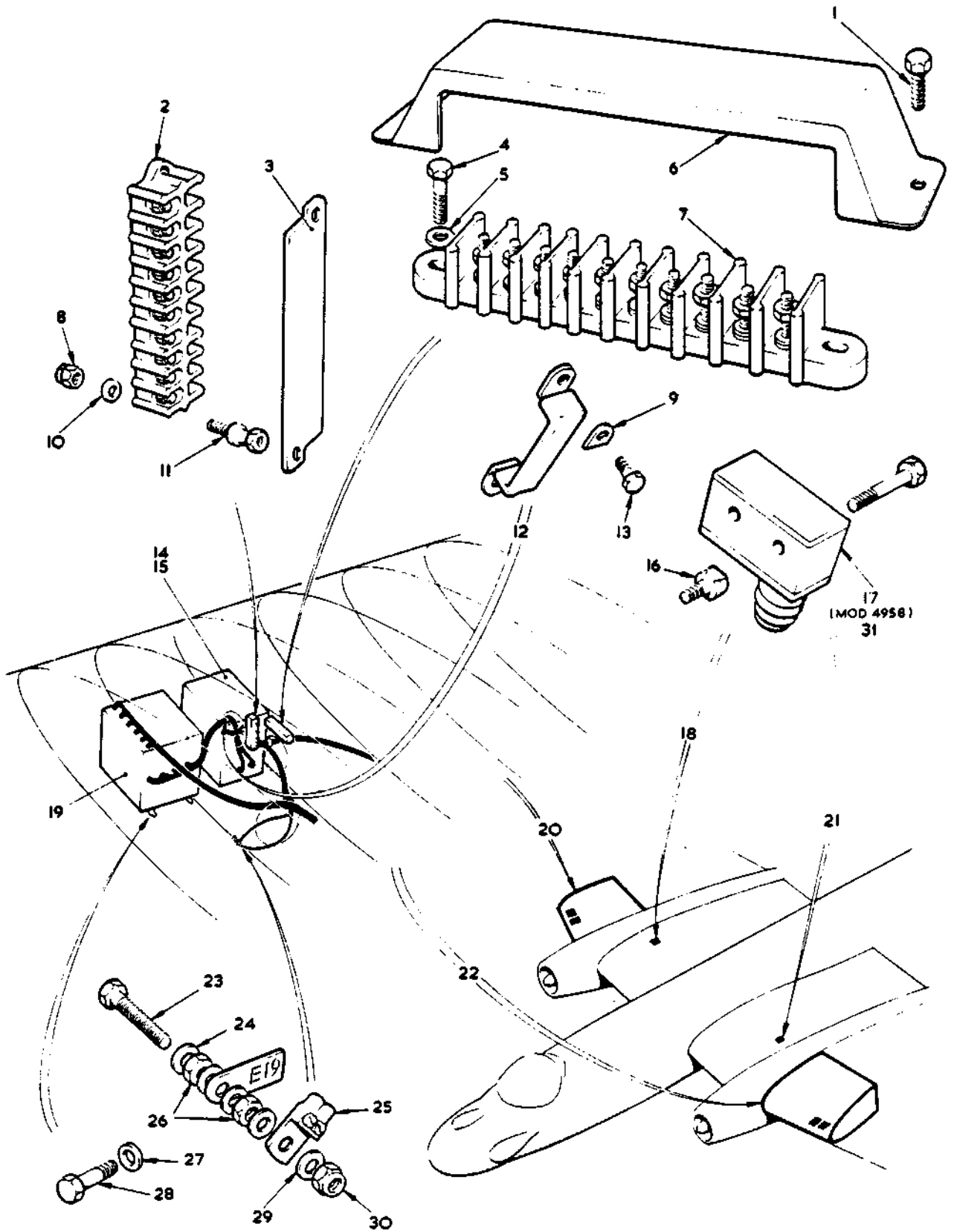


FIG.47 ELECTRICAL EQUIPMENT IN PORT AND STBD WINGS



**FIG.48 ELECTRICAL EQUIPMENT IN PORT & STARBOARD WINGS**

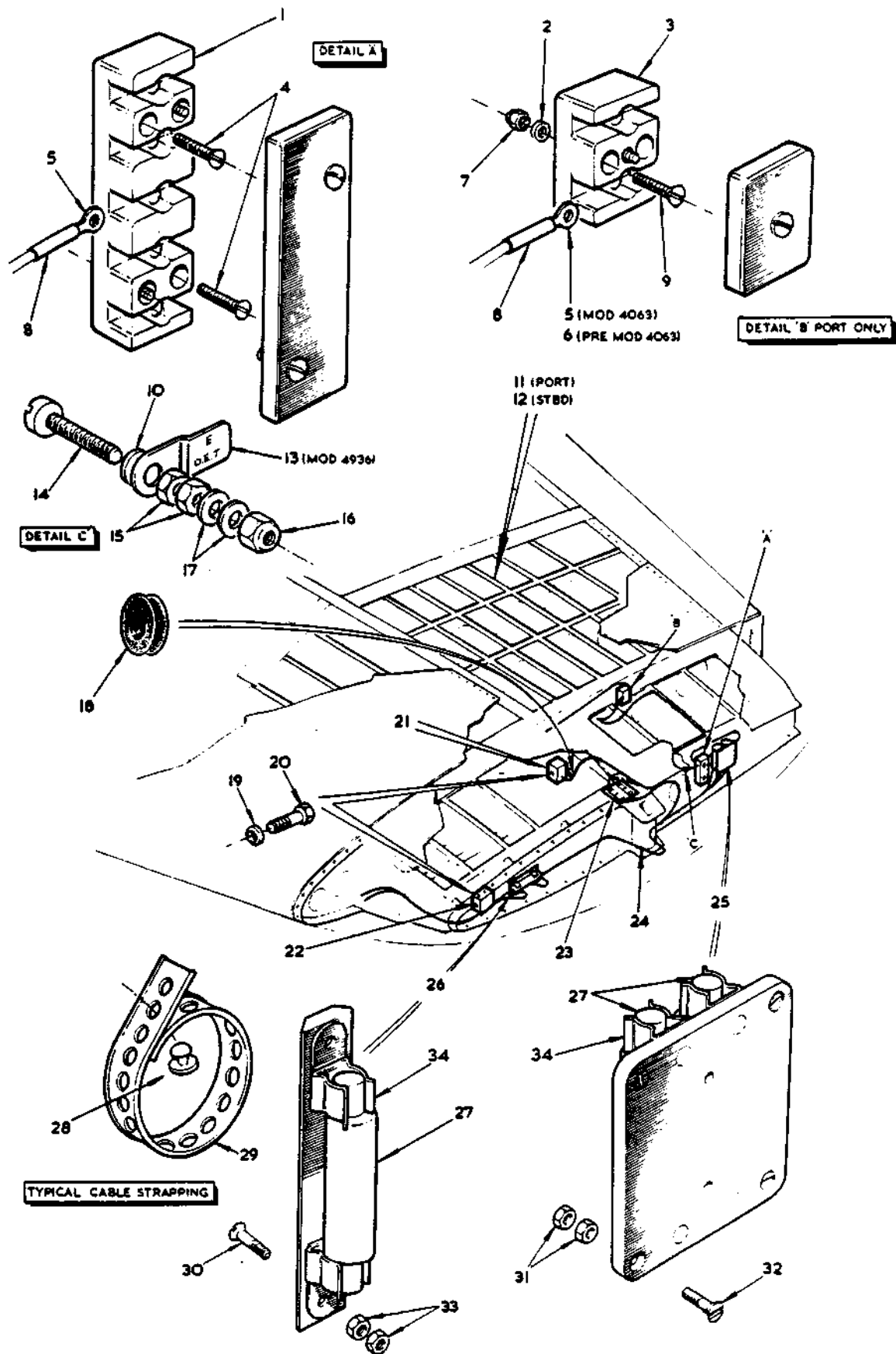


FIG.49 ELECTRICAL EQPT. IN PORT & STBD. WING TIPS

T. MK. 17 SECT.E

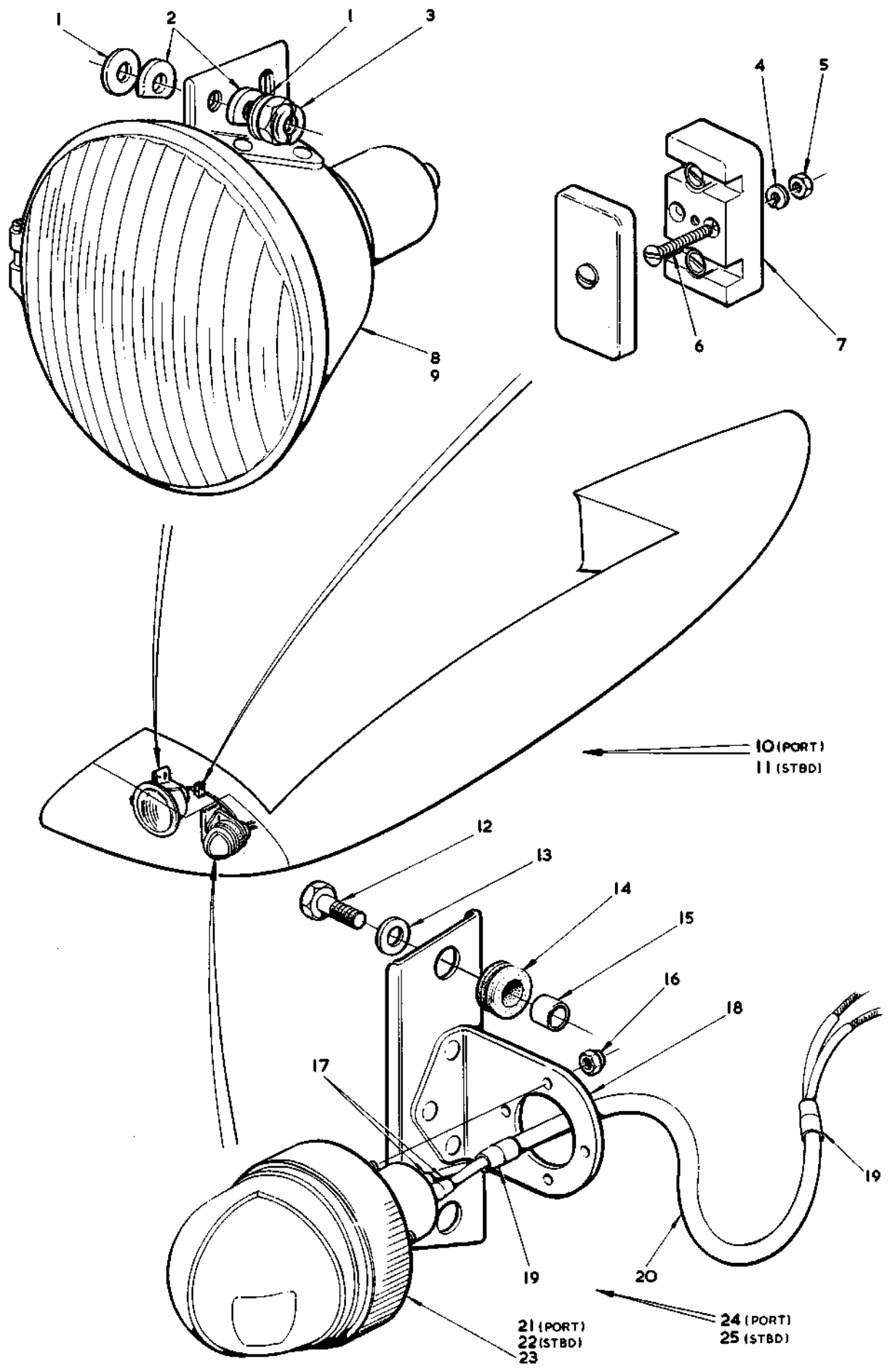


FIG. 50 ELECTRICAL EQUIPMENT IN PORT & STBD WING TIPS

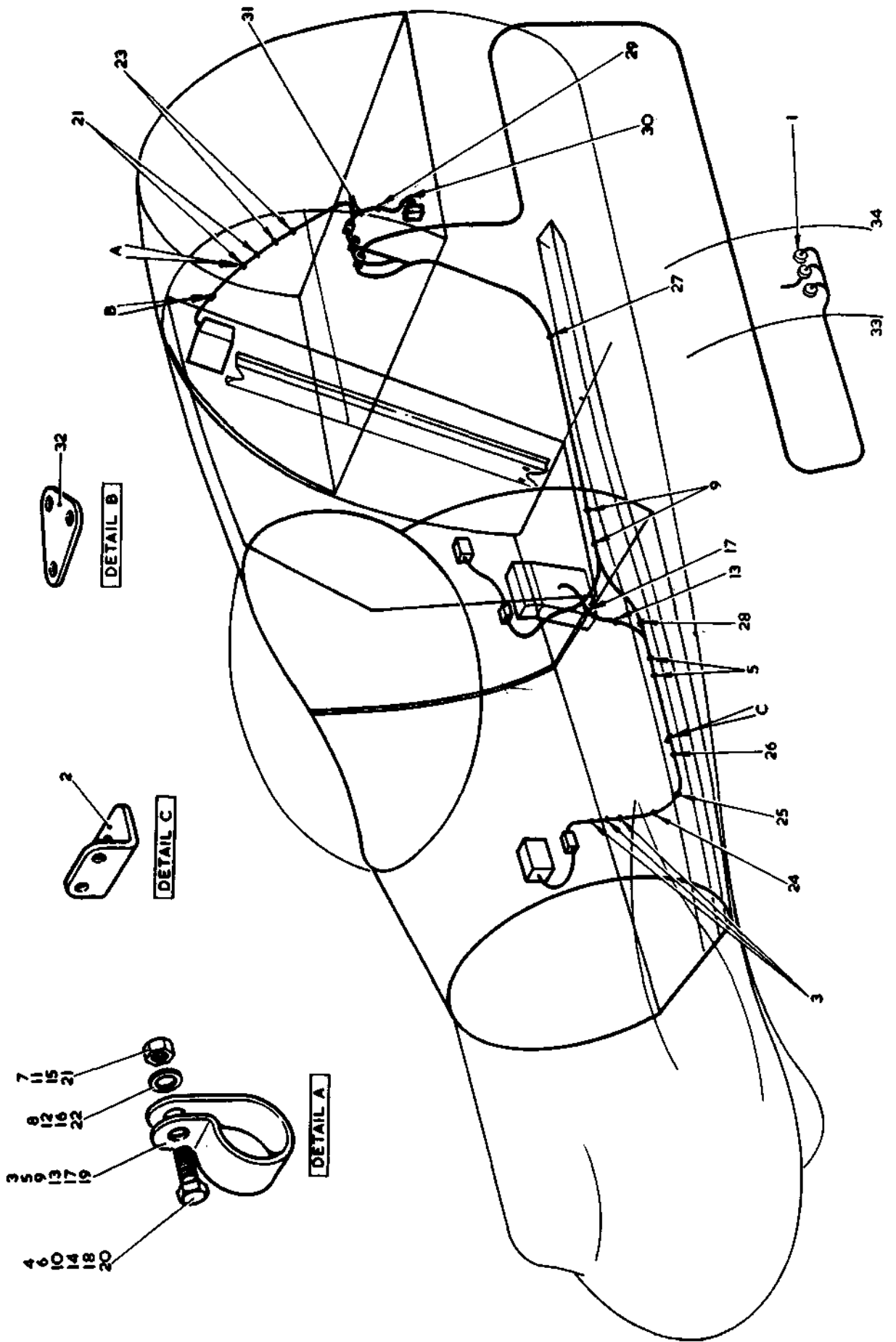


FIG. 51 WIRING AND CLIPPING (AUTOMATIC HEIGHT ENCODER)

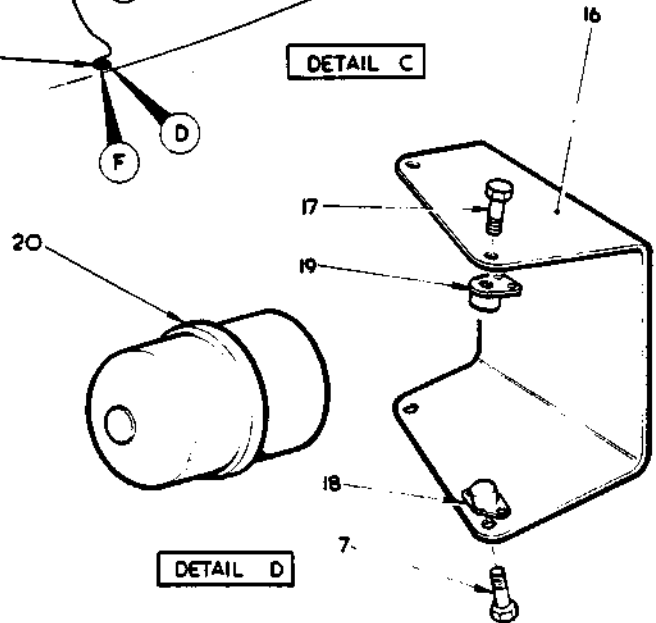
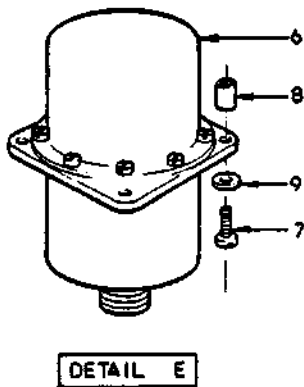
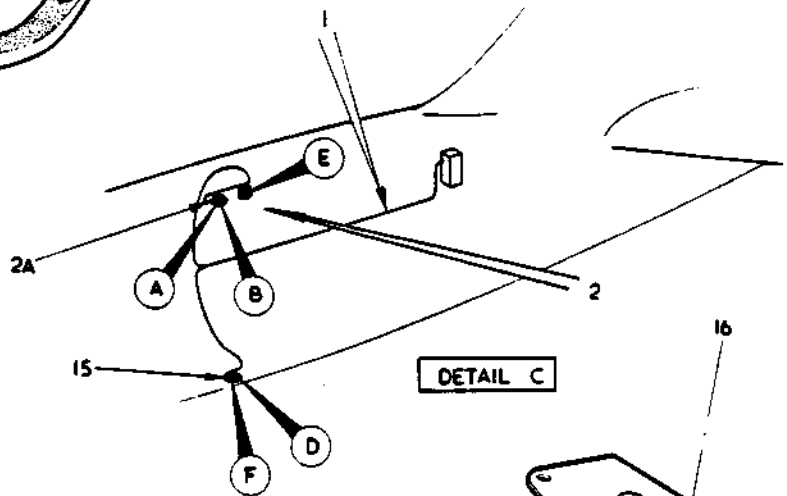
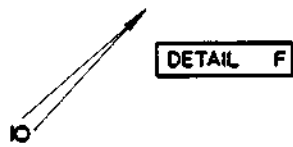
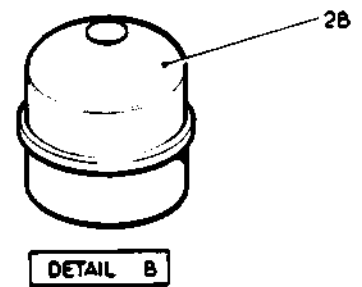
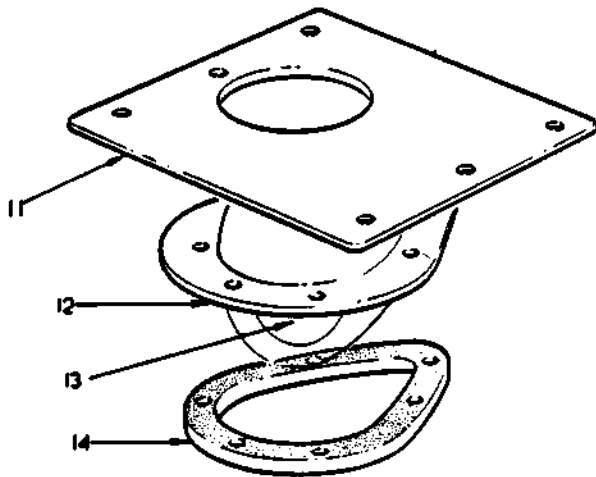
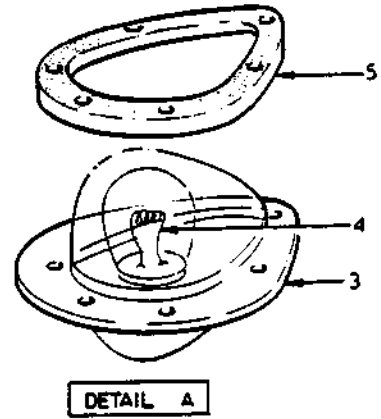
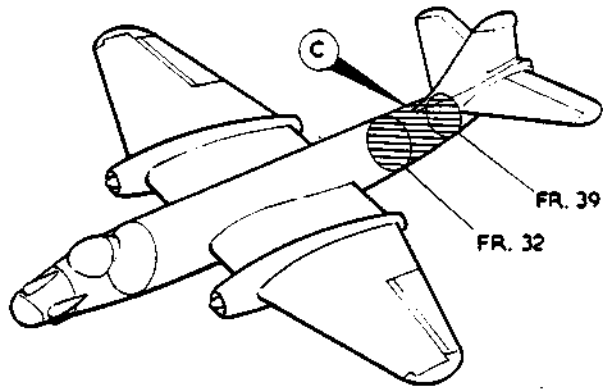


FIG 52 ELECTRICAL EQUIPMENT

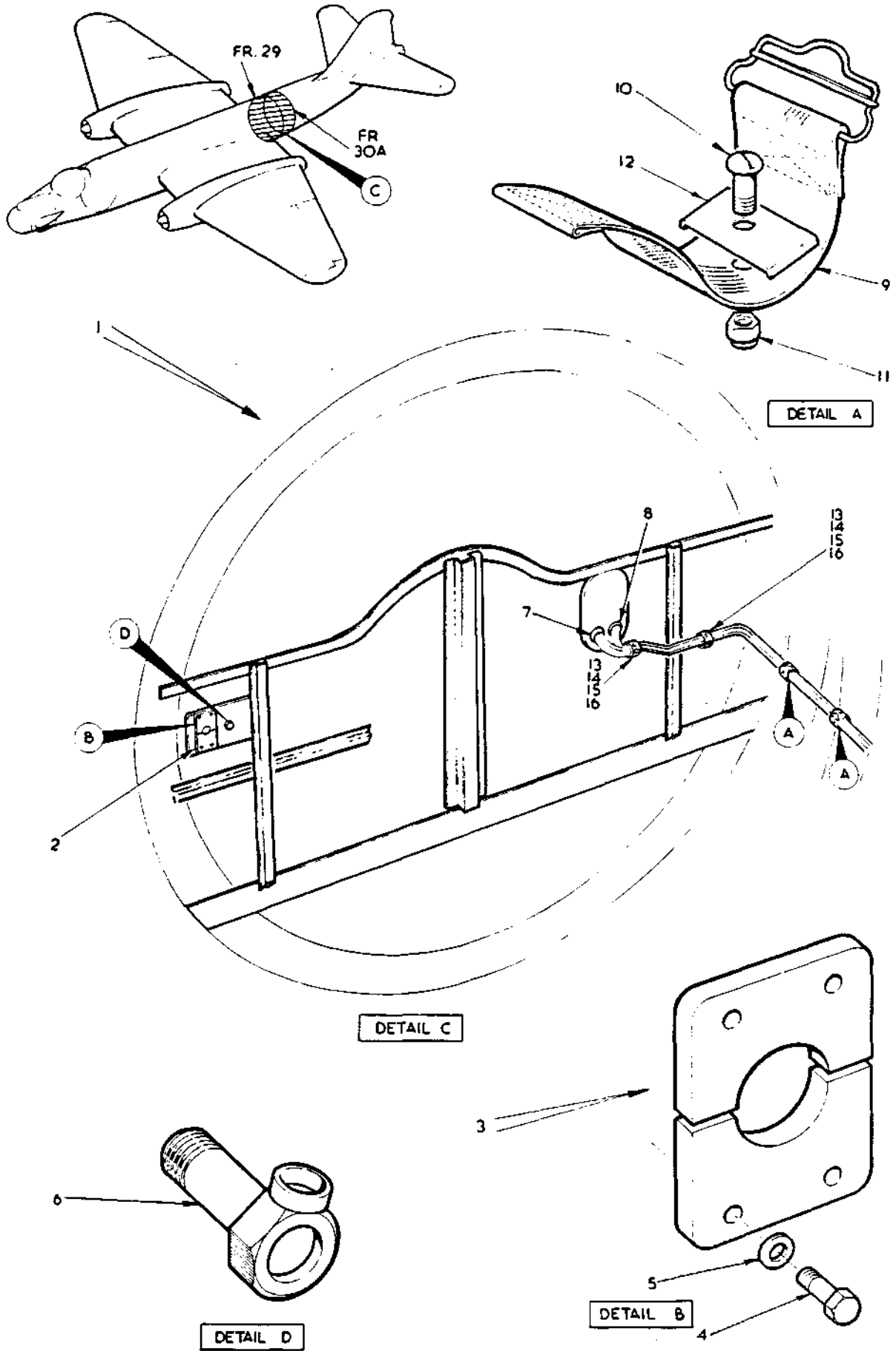


FIG 53 ELECTRICAL EQUIPMENT IN CENTRE FUSELAGE

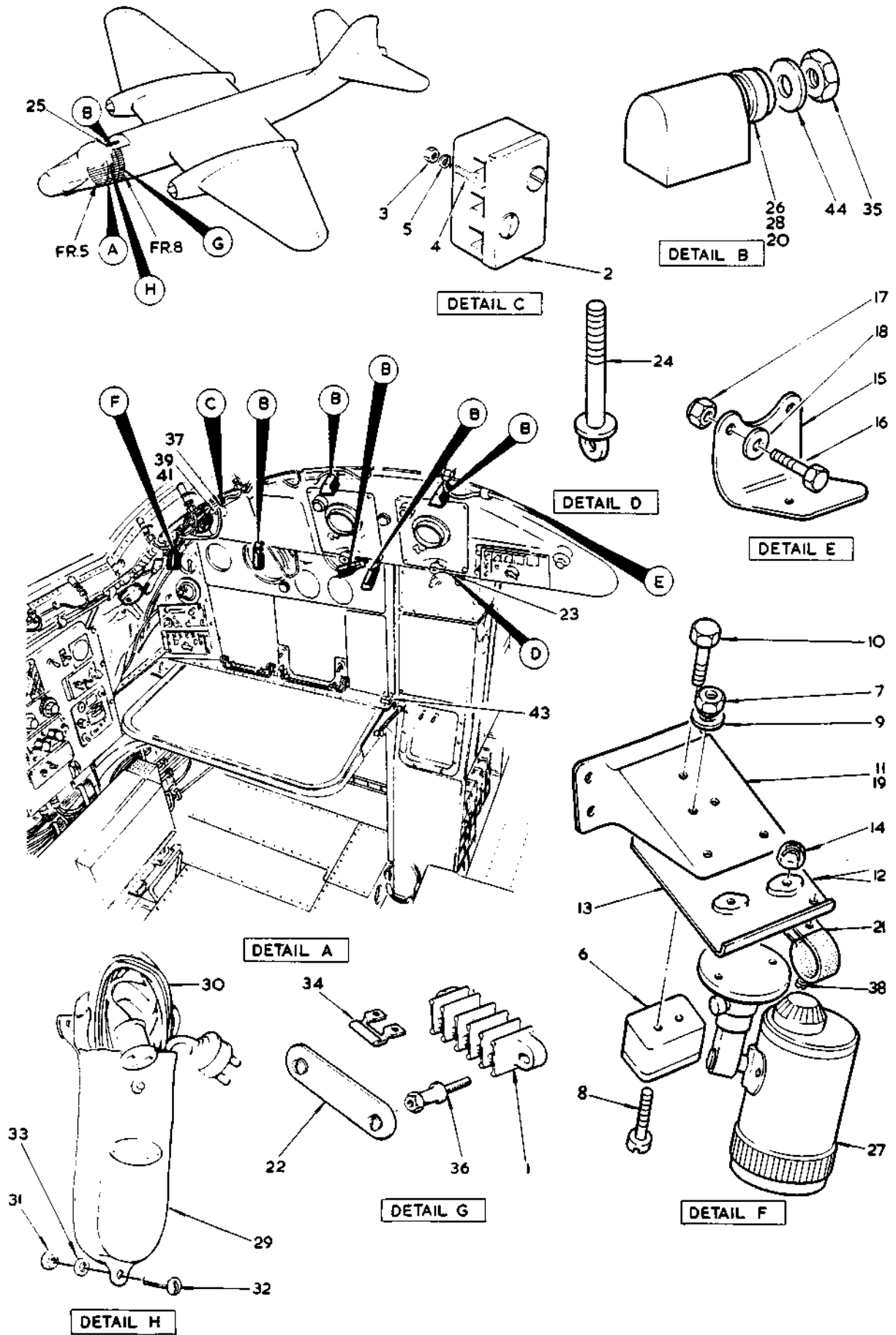


FIG. 54 ELECTRICAL EQUIPMENT IN FRONT FUSELAGE  
T MK 17 SECT E

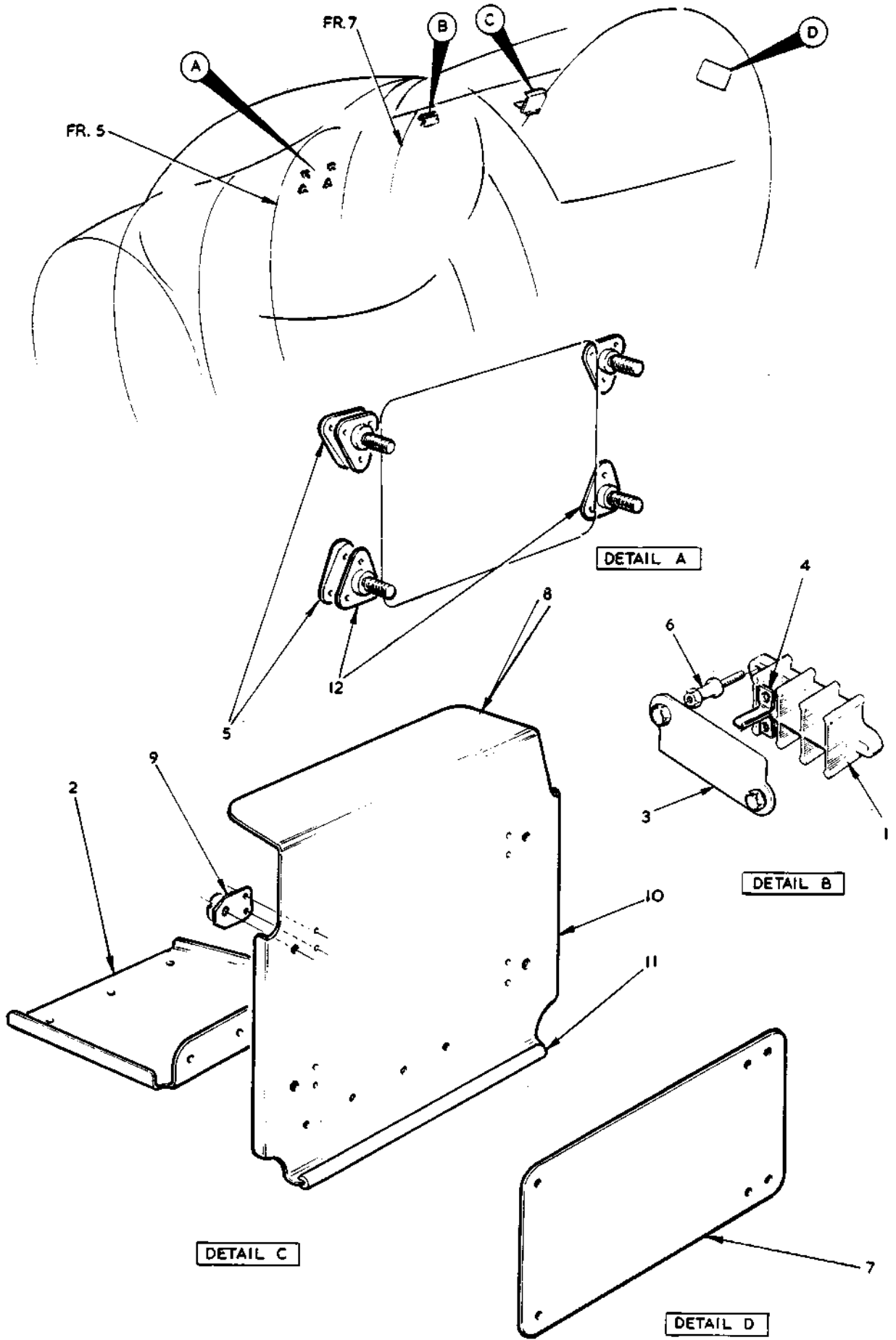


FIG.55 ELECTRICAL EQUIPMENT IN FRONT FUSELAGE

T.MK.17 SECT. E

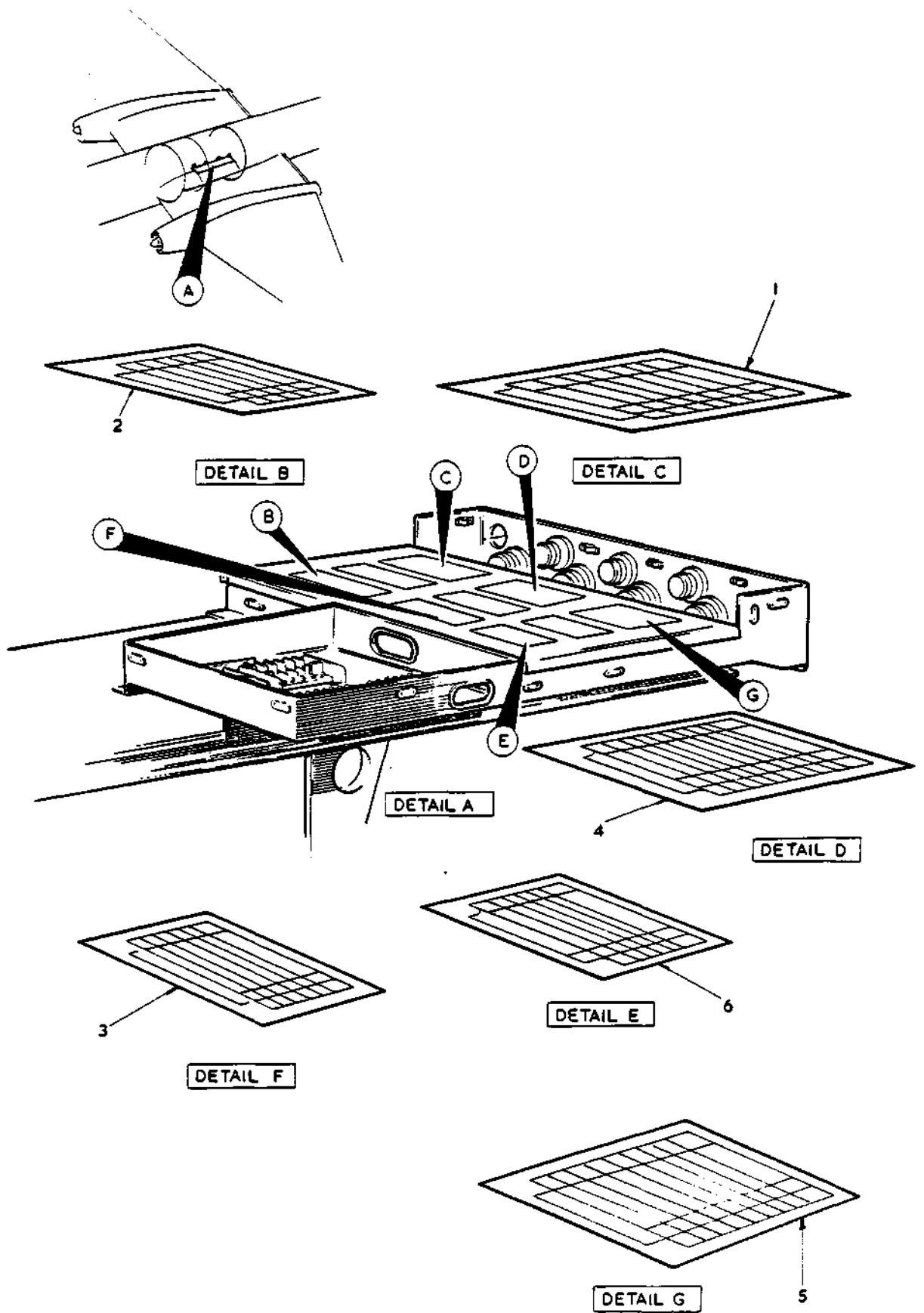


FIG. 56 ELECTRICAL EQUIPMENT IN CENTRE FUSELAGE

T.MK 17 SECT E

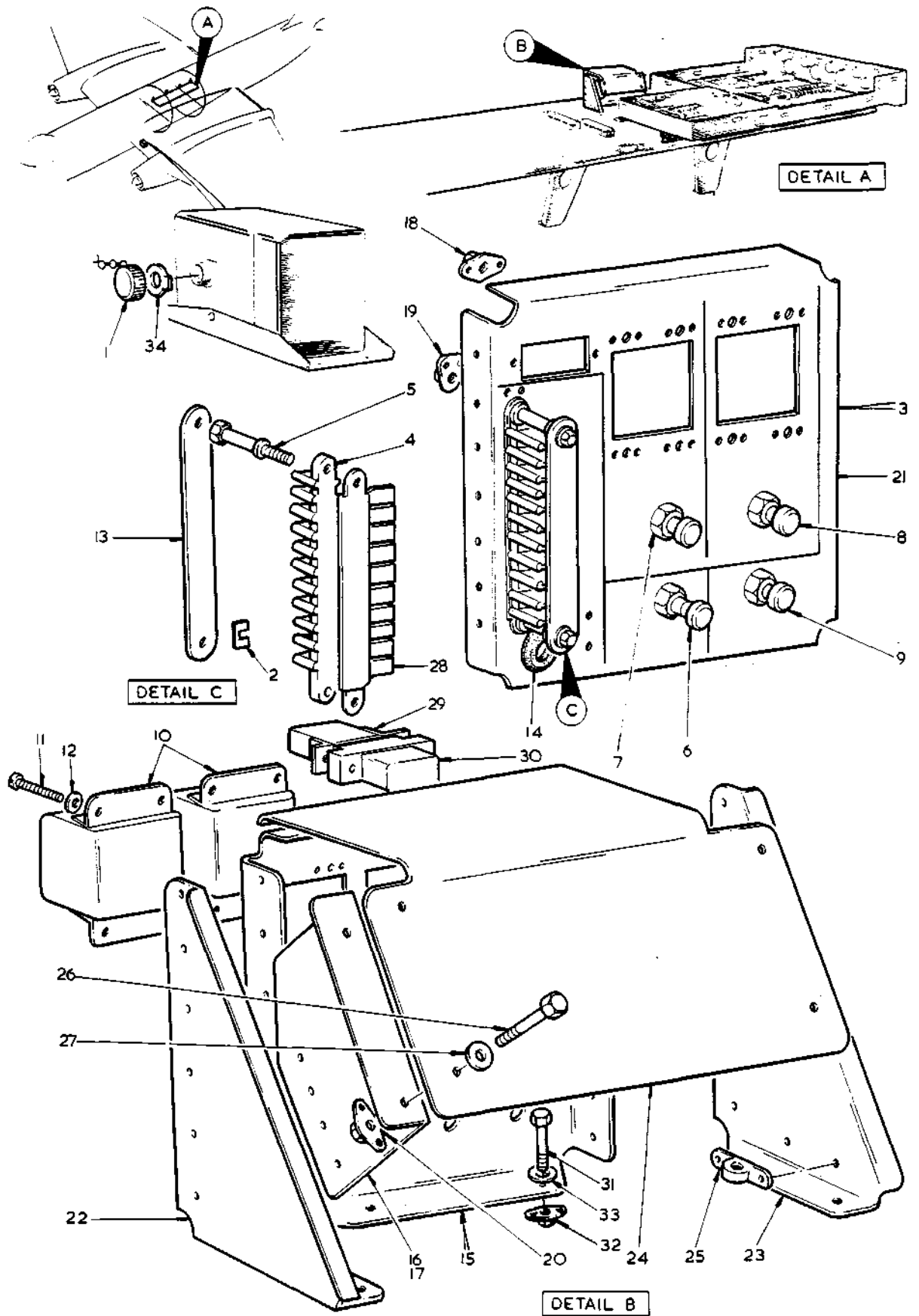


FIG. 57 ELECTRICAL EQUIPMENT IN CENTRE FUSELAGE  
T.MK 17 SECT E

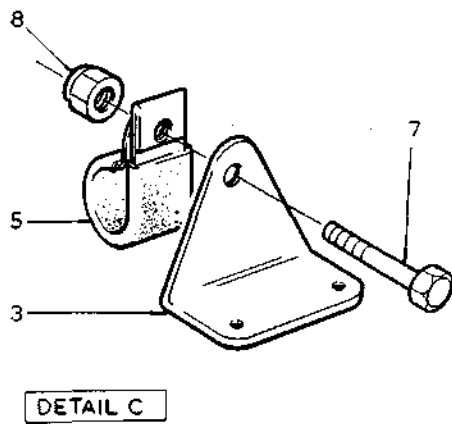
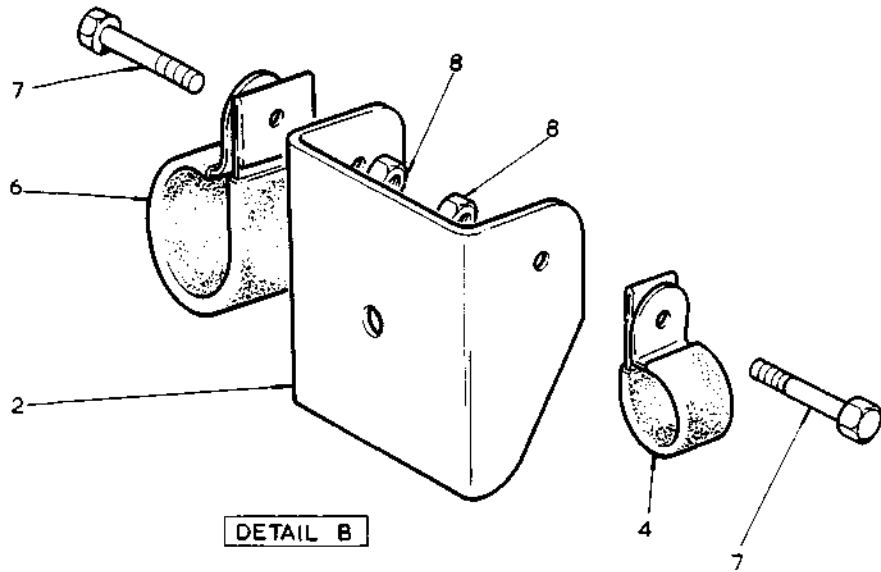
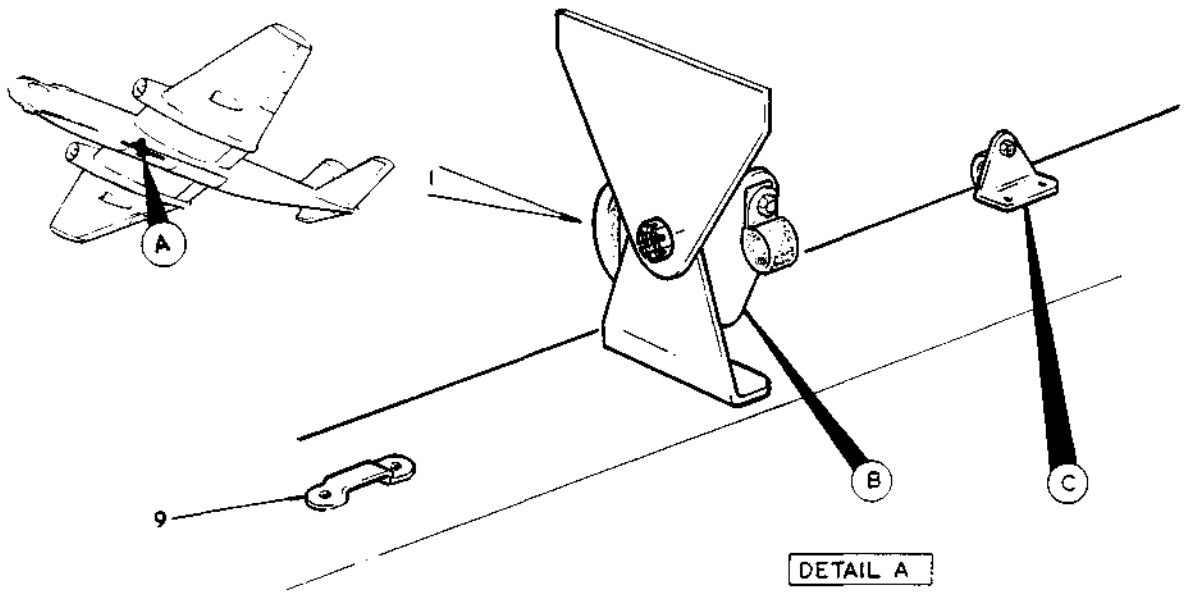


FIG. 58 ELECTRICAL EQUIPMENT IN CENTRE FUSELAGE  
T.MK 17. SECT E

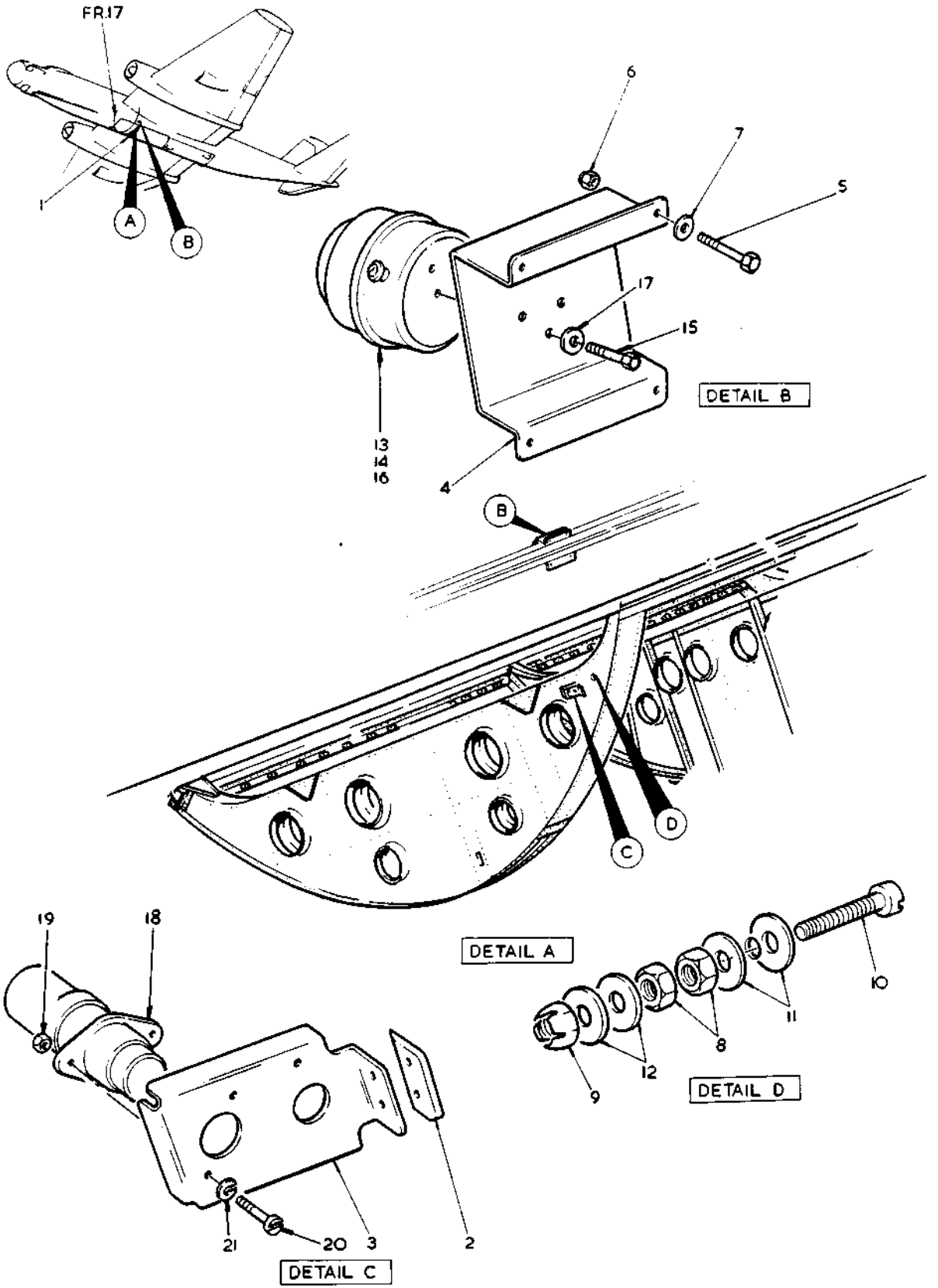
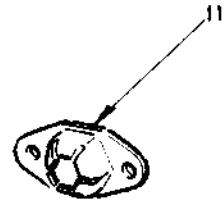
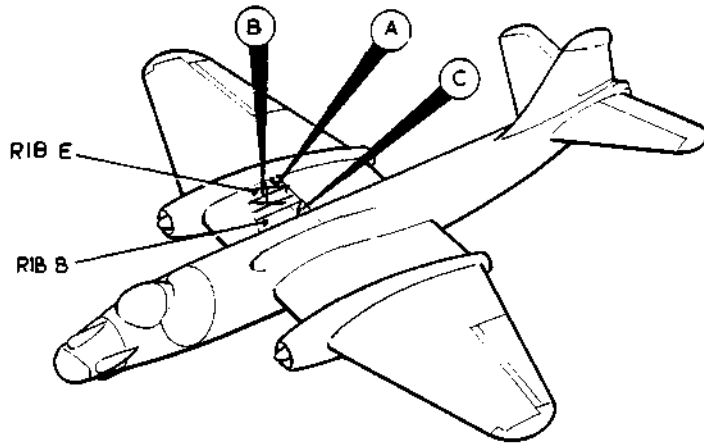
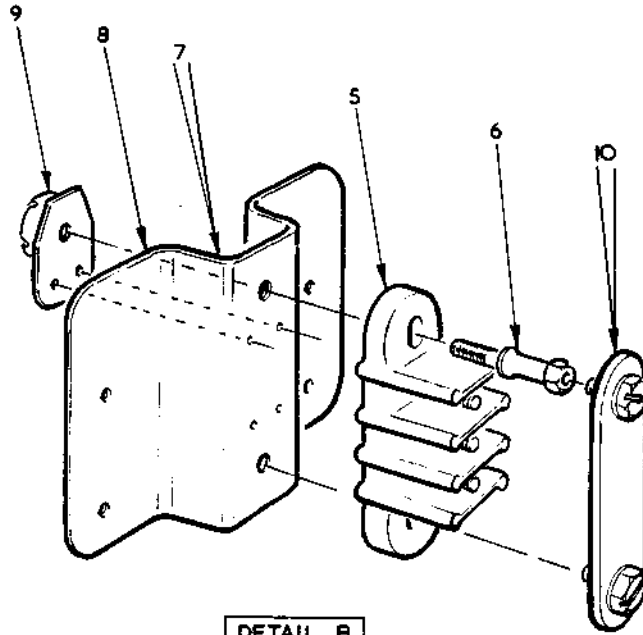


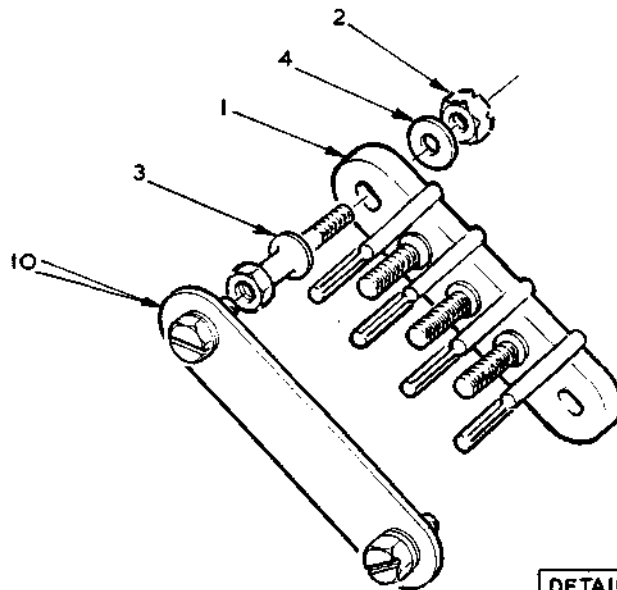
FIG. 59 ELECTRICAL EQUIPMENT IN CENTRE FUSELAGE  
T.MK.17 SECT E



DETAIL A



DETAIL B



DETAIL C

FIG.60 ELECTRICAL EQUIPMENT IN STARBOARD WING

This file was downloaded  
from the RTFM Library.

Link: [www.scottbouch.com/rtfm](http://www.scottbouch.com/rtfm)

Please see site for usage terms,  
and more aircraft documents.

