

EQUIPMENT, AIRCRAFT
PRESSURE CABIN EQUIPMENT

Part Number	Description	No. Off	Mtl. Spec.	Plate No.
R -	EQUIPMENT IN PRESSURE CABIN, ASSEMBLY (EG7.80.7) (Pre Mod 5466)	-	-	
R -	EQUIPMENT IN PRESSURE CABIN, ASSEMBLY (EG7.80.5001) (Mod 5466)	-	-	
-	Spares for:- . . . ACCELEROMETER, INSTALLATION (EA3.80.6473) (SAS4745)	-	-	27/1
-	Spares for:-			
3D91-1	. . . ACCELEROMETER, Mk.2 Attaching parts for 3D91-1	1	-	27/2
A43/B32	. . . Screw, 4 BA, cheese head	3	-	27/3
EA3.80.6469	. . . BRACKET, L.H.	1	-	27/4
EA3.80.6471	. . . BRACKET, R.H. Attaching parts for EA3.80.6469 and EA3.80.6471:-	1	-	27/5
4101/6/3/8	. . . Screw, self tapping, type 2	3	-	27/6
EA3.80.6465	. . . BRACKET, mounting Attaching parts for EA3.80.6465:-	1	-	27/7
AGS2001/B/4	. . . Nut, stiff, 4 BA	6	-	27/8
A43/B16	. . . Screw, 4 BA, cheese head	6	-	27/9
SP22/B	. . . Washer, 4 BA	6	-	27/10
-	. . . BAG, STOWAGE FOR FLAP SWITCH, INSTALLATION (EG7.83.87) (Pre SAS4745)	-	-	1/17
-	Spares for:-			
EA3.83.173	. . . BAG, stowage for flap switch locking pin	1	-	1/21
AGS2001/B/1	. . . NUT, stiff, 4 BA	1	-	1/38
EA3.83.175	. . . LOCK, FLAP SWITCH, GROUP Spares for:-	1	-	1/16
A415 PIN, pip, quick release	1	-	1/27
EA3.81.1165	. . . STUD, mounting, assembly	1	-	1/36
SP15/B	. . . WASHER, 4 BA plain	1	-	1/37
R -	. . . BLACKOUT, ASSEMBLY (EG7.80.1489) (Pre Mod 5466)	-	-	1/14
-	Spares for:-			
EA3.80.1753	. . . CURTAIN, navigators	1	-	1/15
EG7.80.1491	. . . CURTAIN, MAIN, ASSEMBLY Spares for:-	1	-	1/28
CARR 671 BUTTON	3	-	1/2
CARR 708/A PLATE, back	18	-	1/1
CARR 548 SOCKET	3	-	1/6
CARR N608 SOCKET	18	-	1/18
EG7.80.1497	. . . CURTAIN, UPPER, ASSEMBLY Spares for:-	1	-	1/12
EG7.80.1505 CURTAIN, ASSEMBLY Spares for:-	1	-	1/13
CARR 671 BUTTON	14	-	1/7
CARR 548 SOCKET	14	-	1/8
CARR 550 STUD, clinch type	14	-	1/9
R AGS2002/C/1	. . . NUT, stiff, 2 BA	16	-	1/20
R EEAS132/12	. . . STRAP, securing	3	-	1/35
R 248	. . . STUD Attaching parts for 248:-	2	-	1/32
R A27/BT	. . . Nut, 4 BA, thin	2	-	1/30
R A33/B10	. . . Screw, 4 BA, csk head	2	-	1/33
R 550	. . . STUD, clinch type	3	-	1/4
R 680	. . . STUD, hex head	16	-	1/19
R SP26/C	. . . WASHER, 2 BA	3	-	1/39

EQUIPMENT, AIRCRAFT

PRESSURE CABIN EQUIPMENT

Part Number	Description 1 2 3 4 5 6	No. Off	Matl. Spec.	Plate No.
R	—	—	—	43/1
R	EG7.80.5361	1	—	43/2
R	EG7.80.5361A	1	—	43/3
R	708/A	8	—	43/4
R	N608	8	—	43/5
R	No.4 BLACK	QR	—	
R	EG7.80.5375	1	—	43/6
R	671	10	—	43/7
R	EG7.80.5375A	1	—	43/8
R	548	10	—	43/9
R	No.4 BLACK	QR	—	
R	EG7.80.5377	1	—	43/10
R	EG7.80.5377A	1	—	43/11
R	No.4 BLACK	QR	—	
R	EEAS132/18	2	—	43/12
R	EEAS132/12	2	—	43/13
R	550	10	—	43/14
R	No.680	8	—	43/15
R	AGS2002/C/1	1	—	43/16
R	SP26/C	1	—	43/17
R	No.4 BLACK	QR	—	
—	BLOCKS, STOWAGE, INSTALLATION (EA3.80.6669) (SAS4745) Spares for:—	—	—	
EA3.80.6667	BLOCK, seat pin stowage (Make from EA3.80.6547 — Ref. No. 6101183) Attaching parts for EA3.80.6667:—	2	—	
AS1242/6C	Bolt, 2 BA, c'sk head	2	—	
AGS2001/C/1	Nut, stiff, 2 BA	2	—	
SP15/C	Washer, 2 BA	2	—	
—	BLOCK, STOWAGE, INSTALLATION (EG7.80.1999) (Mod 4442) Consisting of:—	—	—	1/22
EA3.80.6171	BLOCK, stowage, upper and lower	2	BS2572 Type F3	1/29
A25/7C	BOLT, 2 BA, upper block attachment	2	—	1/23
A25/10C	BOLT, 2 BA, lower block attachment	2	—	1/34
AGS2001/C/1	NUT, stiff, 2 BA	2	—	1/26
EA3.80.6183	PACKING, lower block	2	BS2572 Type F3	1/31
SP10/C	WASHER, 2 BA	2	—	1/24
SP15/C	WASHER, 2 BA	2	—	1/25
—	BLOCK, STOWAGE, INSTALLATION (EA3.80.6175) (Mod 4442) Spares for:—	—	—	1/3
EA3.80.6171	BLOCK, stowage Attaching parts for EA3.80.6171:—	1	BS2572 Type F3	1/5
AS1242/6C	Bolt, 2 BA c'sk head	2	—	1/11
EA3.80.6173	CLIP, spring, 24 SWG	1	S513	1/10

EQUIPMENT, AIRCRAFT
PRESSURE CABIN EQUIPMENT

Part Number	Description	No. Off	Matl. Spec.	Plate No.
R -	. BRACKETS, JUNCTION BOX MOUNTING, INSTALLATION (EA3.80.873) (SAS4745) Spares for:	-	-	
R EA3.80.1337	. . . BRACKET	1	-	
R EA3.80.1339	. . . BRACKET	1	-	
R -	. BRACKET, ACCUMULATOR MOUNTING, INSTALLATION (EA3.80.1837) (SAS4745) Spares for:	-	-	
R EA3.80.1839	. . . BRACKET	1	-	
R EA3.80.1843	. . . PACKING	1	-	
R 27N/1041642	. BRACKET, fire extinguisher	1	-	
R AS4525/3	. CLIP (Mod.5250)	1	-	
R -	CONSOLE, PILOT'S, ASSEMBLY (EG7.80.1215) Spares for:	-	-	2/7
R EG7.81.1365	. . . PANEL, pilot's console equipment and wiring, assembly Spares for:	1	-	2/6
R AS10512L-2 ADAPTOR, plate	2	-	
R AS10512L-1 ADAPTOR, plate	1	-	
R EG7.81.3643 ADAPTOR, plate	1	-	
R EG7.81.1357 BLOCK, fuse, assembly Consisting of:	1	-	2/51
R 703-1-00416 BLOCK, fuse, 4-way	1	-	2/52
R EG7.81.1361 LABEL	1	-	2/53
R EG7.81.1359 BLOCK, fuse, assembly Consisting of:	1	-	2/44
R 703-1-00416 BLOCK, fuse, 4-way	1	-	2/45
R EG7.81.1363 LABEL	1	-	2/46
R 703-1-00238 BLOCK, terminal, 5-way Attaching parts for 703-1-00238:	1	-	2/56
R AGS2002/B/1 Nut, stiff, 4BA	2	-	2/57
R A32/B24 Screw, 4BA round head	2	-	2/58

EQUIPMENT, AIRCRAFT
PRESSURE CABIN EQUIPMENT

Part Number	1 2 3 4 5 6	Description	No. Off	Mtl. Spec.	Plate No.
R		5E/9993758 CABLE, uninyvin 12 (Pre SAS4745)	QR	-	
R		5E/1934449 CABLE, uniminyvin 12 (SAS4745)	QR	-	
R		5E/9486791 CABLE, uninyvin 16 (Pre SAS4745)	QR	-	
R		5E/1934447 CABLE, uniminyvin 16 (SAS4745)	QR	-	
R		5E/9467424 CABLE, uninyvin 20 (Pre SAS4745)	QR	-	
R		5E/1934440 CABLE, uniminyvin 20 (SAS4745)	QR	-	
R		DN1260Z-74 CAP, dolly (Pre SAS4745)	3	-	
R		HV3711 CAP, helvin (Pre SAS4745)	3	-	2/12
R		AS3180/6B CLIP	1	-	
R		AS3180/11B CLIP	2	-	
		NAT. PLASTICS			
		X114 EXTRUSION	QR	-	2/1
R		5L/9959182 FILAMENT, lamp (Com.Mod.0494) (Mod.5060)	2	-	
R		10H/590136 FUSE, 0.25 amp - 250 volt (Com.Mod.0494) (Mod.5060)	2	-	
R		10H/1043046 FUSE, 20 amp, Type AS	3	-	
R		10H/9178191 FUSE, 10 amp, Type AS	4	-	
R		10H/9178192 FUSE, 5 amp, Type AS	7	-	
R		10H/1047920 FUSE, dummy	2	-	
R		SP93/A8 GROMMET, rubber	2	-	2/39
R		SP93/A12 GROMMET, rubber	2	-	2/40
R		SP40/B6 GROMMET, rubber	1	-	
R		EG7.81.3577 GUARD, wing tip jettison switch, assembly (Mod.4929)	1	-	2/34
R		10H/591061 HOLDER, fuse (Com.Mod.0494) (Mod.5060)	2	-	
R		EA3.81.787 KNOB, switch, aileron trim (Pre SAS4745)	1	-	2/27
		Attaching parts for EA3.81.787:			
		A55/A4 Screw, grub, 6BA	1	-	2/28
R		1260Z-163 KNOB (Pre SAS4745)	1	-	
R		1260Z-165 KNOB (Pre SAS4745)	2	-	

EQUIPMENT, AIRCRAFT
PRESSURE CABIN EQUIPMENT

Part Number	Description 1 2 3 4 5 6	No. Off	Matl. Spec.	Plate No.
5CX/4330485 LAMP, warning (Com.Mod.0494) (Mod.5060)	2	-	
EEAS71/1 LINK, commoning	1	-	2/47
EEAS71/3 LINK, commoning (Pre SAS4745)	1	-	2/54
EEAS71/2 LINK, commoning, 3-way (SAS4745)	1	-	
EG7.80.1229 PANEL, REMOVABLE, ASSEMBLY	1	-	3/10
	Spares for:			
EG7.80.1231 COVER, FUSE, ASSEMBLY	1	-	3/9
	Spares for:			
EA1.81.542 CARRIER, spare fuse, 8-way Attaching parts for EA1.81.542:	1	LFS21	3/6
AGS2001/A/1 Nut, stiff, 6BA	2	-	3/7
A32/A14 Screw, 6BA round head	2	-	3/8
AJ4/30 FASTENER, dzus, domed head	2	-	3/12
DZUS No. 4 RING, retaining, size 4 Attaching parts for EG7.80.1229:	2	-	3/13
AS1248/1C Bolt, 2BA mushroom head	4	-	3/15
CM0385/8A PLATE, ident (Com.Mod.0385) (Mod.4923)	1	-	
CM0385/8B PLATE, cover (Com.Mod.0385) (Mod.4923)	1	-	
EG7.81.3579 PLATE, switch (Mod.4929)	1	-	2/35
EG7.80.1297 PANEL, TOP, ENGRAVED, ASSEMBLY	1	-	3/5
	Spares for:			
EG7.80.1217 PANEL, TOP, ASSEMBLY	1	L72	4/14
	Spares for:			
EG7.80.1223 CHANNEL, mounting Attaching parts for EG7.80.1223:	1	L72	3/16
A25/1C Bolt, 2BA hex. head	4	-	3/19
AGS2001/C/1 Nut, stiff, 2BA	4	-	3/17
SP15/C Washer, 2BA plain	4	-	3/18
S4/200 SPRING, dzus	2	-	3/11
508/1/06399 PLUG, size B, 9-way	1	-	2/60
508/1/06413 PLUG, size D, 26-way	2	-	2/59
- REPAIR TO ENGRAVING ON PILOT'S CONSOLE PANEL (EG7.81.3369) (Pre SAS4745)	-	-	
	Spares for:			
EG7.81.3371 LABEL, "EXTERNAL LIGHTS"	1	-	
DOWTY				
AS10512M-2 SHROUD, terminal (Mod.4929) (Pre SAS4745)	1	-	2/36
AS10512M-2 SHROUD, terminal (SAS4745)	3	-	
AS10512M-1 SHROUD, terminal (SAS4745)	7	-	
EEAS563 SLEEVE, special (Pre SAS4745)	1	MAM	2/10
EEAS566 SLEEVE, special (Pre SAS4745)	1	MAM	2/38
HV3254 STRAPPING, black (SAS4745)	QR	-	
NY3255 STUD, nylon (SAS4745)	QR	-	
5CW/4405514 SWITCH, dimmer, type 'R', 22 ohms Attaching parts for 5CW/4405514:	1	-	2/23
AGS2002/A/1 Nut, stiff, 6BA	3	-	2/24
A32/A16 Screw, 6BA round head	3	-	2/25
AS10512A-1 SWITCH, tumbler	3	-	
5CW/4405520 SWITCH, dimmer, type 'R', 75 ohms, console flood and port, red Attaching parts for 5CW/4405520:	2	-	2/41
AGS2002/A/1 Nut, stiff, 6BA	6	-	2/42
A32/A16 Screw, 6BA round head	6	-	2/43

R

EQUIPMENT, AIRCRAFT
PRESSURE CABIN EQUIPMENT

Part Number	Description 1 2 3 4 5 6	No. Off	Matl. Spec.	Plate No.

A.P.101B-0417-3A

EQUIPMENT, AIRCRAFT
PRESSURE CABIN EQUIPMENT

Part Number	Description	No. Off	Matl. Spec.	Plate No.
5CW/4405521	. . . SWITCH, dimmer, type 'R', 115 ohms Attaching parts for 5CW/4405521:	1	-	2/31
AGS2002/A/1	. . . Nut, stiff, 6BA	3	-	2/32
A32/A16	. . . Screw, 6BA, round head	3	-	2/33
EA3.81.6375	. . . SWITCH, rudder trim, assembly (Pre SAS4745)	1	-	2/20
or				
AS10512A-1	. . . SWITCH	1	-	
EK5.81.923	. . . SWITCH, lever operated, assembly (SAS4745) Attaching parts for EA3.81.6375:	2	-	
A32/B8	. . . Screw, 4BA round head	4	-	2/21
SP47/B	. . . Washer, 4BA spring	4	-	2/22
D10001L	. . . SWITCH, type '6B', No.1, landing lights (Pre SAS4745)	1	-	2/3
AS10512E-1	. . . SWITCH (SAS4745) Attaching parts for AS10512E-1	1	-	
A32/B8	. . . Screw, 4BA round head	4	-	2/4
SP47/B	. . . Washer, 4BA spring	4	-	2/5
5CW/4405706	. . . SWITCH, tumbler, A.M., type 'B', navigation and taxying lights (Pre SAS4745)	2	-	2/11
AS10512A/2	. . . SWITCH (SAS4745) Attaching parts for 5CW/4405706 and AS10512A/2	2	-	
AGS2002/A/1	. . . Nut, stiff, 6BA	4	-	2/13
A32/A16	. . . Screw, 6BA round head	4	-	2/14
5CW/4405518	. . . SWITCH, tumbler, A.M., type 'B', external lights master (Pre SAS4745)	1	-	2/15
AS10512C-1	. . . SWITCH, tumbler (SAS4745) Attaching parts for AS10512C-1	1	-	
AGS2002/A/1	. . . Nut, stiff, 6BA	2	-	2/16
A32/A16	. . . Screw, 6BA round head	2	-	2/17
5CW/4407828	. . . SWITCH, tumbler, aileron trim (Pre SAS4745)	1	-	2/26
AS10512A-1	. . . SWITCH, tumbler, aileron trim (Pre SAS4745) Attaching parts for 5CW/4407828:	1	-	
A32/B8	. . . Screw, 4BA round head	2	-	2/29
SP47/B	. . . Washer, 4BA spring	2	-	2/30
EK5.81.927	. . . SWITCH, lever operated, assembly (SAS4745)	1	-	
LHA1BG205	. . . SWITCH, toggle, anti-collision (Mod.4923)	1	-	2/8
AS10512A-2	. . . SWITCH, toggle, anti-collision (Mod.4923) (SAS4745)	1	-	2/8
N.S.F.				
8810/B104	. . . SWITCH, tumbler, identification lights (Pre SAS4745)	1	-	2/9
AS10512A-2	. . . SWITCH (SAS4745)	1	-	
DOWTY				
AS10512D11	. . . SWITCH, tumbler, wing tip jettison (Mod.4929)	1	-	2/37

EQUIPMENT, AIRCRAFT
PRESSURE CABIN EQUIPMENT

Part Number	Description	No. Off	Matl. Spec.	Plate No.
R HC294	. . . TAG, R.T. (Pre SAS4745)	6	-	
R HC294	. . . TAG, R.T. (SAS4745)	4	-	
R HC294D	. . . TAG, R.T. (SAS4745)	17	-	
R HC296	. . . TAG, R.T. (SAS4745)	4	-	
R HC304	. . . TAG, R.T. (Pre SAS4745)	6	-	
R HC304	. . . TAG, R.T. (SAS4745)	4	-	
R HC304D	. . . TAG, R.T. (SAS4745)	10	-	
R HC314A	. . . TAG, R.T.	2	-	
R HC490	. . . TAG, Q.R. (Pre SAS4745)	9	-	
R HC490	. . . TAG, Q.R. (SAS4745)	6	-	
R HC500	. . . TAG, Q.R. (Pre SAS4745)	9	-	
R HC500	. . . TAG, Q.R. (SAS4745)	12	-	
R HC510	. . . TAG, Q.R.	7	-	
R HC1187	. . . TAG, R.T. (Pre SAS4745)	5	-	
R HC1189	. . . TAG, R.T. (Pre SAS4745)	1	-	
EEAS142	. . . TERMINAL, earth, assembly	1	-	2/18
EEAS237/6A	. . . WASHER, 'D'	3	L72	2/2
THOS.HADDON & STOKES				
R DP1002	. . . WASHER, crinkle	8	-	
	Attaching parts for EG7.81.1365:			
A25/1C	. . Bolt, 2BA hex. head	2	-	2/19
AS1248/1C	. . Bolt, 2BA mushroom head	19	-	2/55
EG7.80.1845	. . PANEL, TOP, FORWARD POSITION, ASSEMBLY	1	-	3/1
	Spares for:			
EG7.80.1847	. . . PANEL, TOP, AFT SEGMENT, ASSEMBLY	1	L72	3/4
	Spares for:			
EG7.81.2533 FAIRLEAD, half	2	BS2572 Type F3	3/2
	Attaching parts for EG7.81.2533:			
AS1246/2C Bolt, 2BA round head	2	-	3/3
-	. CONTAINER, FIRST AID, INSTALLATION (EG7.80.1197)	-	-	4/10
	Spares for:			
EG7.80.1199	. . BRACKET, MOUNTING, ASSEMBLY	1	-	4/9
	Spares for:			
EG7.80.1201	. . . BRACKET, mounting	1	L72	4/8
EG7.80.1200	. . BRACKET, MOUNTING, ASSEMBLY	1	-	4/1
	Spares for:			
EG7.80.1202	. . . BRACKET, mounting	1	L72	4/4
EA1.80.881	. . CONTAINER, box, first aid equipment	1	-	4/5
	Attaching parts for EA1.80.881:			
AS1248/½B	. . Bolt, 4BA mushroom head	8	-	4/7
SP15/B	. . Washer, 4BA plain	8	-	4/6
328/4659936	. . LANGITE, .6" wide x 1/32" thick	QR	-	4/2
or				
328/9609409	. . LANGITE	QR	-	4/3
-	. CONTAINER, URINE, INSTALLATION (EG7.80.1195)	-	-	4/13
	Consisting of:			
EG7.80.1189	. . CLIP, ASSEMBLY (28E/6845 Modified)	1	-	4/14
	Consisting of:			
AGS584/4	. . . BAND, spring	1	-	4/15

EQUIPMENT, AIRCRAFT

PRESSURE CABIN EQUIPMENT

Part Number	1 2 3 4 5 6	Description	No. Off	Matl. Spec.	Plate No.
SP57/E		. . . BURR, copper	1	-	4/28
AGS2001/B/1		. . . NUT, stiff, 4 BA	1	-	4/18
or					
A27/BT		. . . NUT, 4 BA thin	2	-	4/19
A27/CT		. . . NUT, 2 BA thin	2	-	4/20
EG7.81.1191		. . . PLATE, base (Make from 30B/1730)	1	L72	4/23
A32/B28		. . . SCREW, 4 BA round head	1	-	4/25
A33/C14		. . . SCREW, 2 BA c'sk head	1	-	4/29
		Attaching parts for EG7.80.189:-			
AS1242/1C		. . . Bolt, 2 BA c'sk head	2	-	4/21
AGS2001/C1		. . . Nut, stiff, 2 BA	2	-	4/31
SP15/C		. . . Washer, 2 BA plain	2	-	4/24
27H/4605582		. . . CONTAINER, Mk.2	1	-	4/16
27H/4605567		. . . FUNNEL	1	-	4/17
EA3.85.15		. . . DESTRUCTOR, MOUNTING, ASSEMBLY	1	-	4/11
		Spares for:-			
EA3.85.17		. . . BRACKET, MOUNTING, ASSEMBLY	1	-	4/26
		Spares for:-			
EA3.85.25		. . . BAND, wire	1	-	4/22
EA3.85.27		. . . BAND, wire	1	-	4/12
R -		. . . EQUIPMENT, IN NAVIGATOR'S COMPARTMENT,	-	-	5/29
		ASSEMBLY (EG7.80.5) (Pre Mod 5466)			
R -		. . . EQUIPMENT, REAR CREW (EG7.80.5005) (Mod 5466)	-	-	
		Spares for:-			
10H/1035229		. . . FUSE, 350 ma (SAS4745)	1	-	5A/1
CM0336 FIG.1		. . . GUARD, VA60, station box (CM0336) (SAS4745)	1	-	5A/2
CM0357 FIG.1		. . . HOLDER, card (CM0357) (SAS4745)	1	-	5A/3
C1502		. . . HOLDER, fuse (SRIM3932) (SAS4745) (Pre Mod 5424)	1	-	5A/4
C1480		. . . HOLDER, fuse (Mod 5424)	1	-	5A/5
A-APR9 ID226		. . . INDICATOR, ID226 (SCRIM 3932) (SAS4745)	1	-	5A/6
SCSHQ127728A4		. . . LABEL, "POWER FUSE" (SRIM3832) (SAS4745)	1	-	5A/7
EG7.80.10027		. . . MOUNTING, Mk.19F, ALTIMETER, ASSEMBLY	1	-	5A/8
		(SAS4745) (Pre Mod 5466)			
		Spares for:-			
KAA2201K		. . . ALTIMETER, Mk.19F	1	-	5A/9
		Attaching parts for KAA2201K:-			
A218/B20		. . . Screw, 6 UNC, pan head	4	-	5A/10
27H/4605579		. . . MOUNTING, anti-vibration	4	-	5A/11
		Attaching parts for 27H/4605579:-			
AGS2001/A2		. . . Nut, stiff, 6 BA	4	-	5A/12
A31/A24		. . . Screw, 6 BA cheese head	4	-	5A/13
SP24/A		. . . Washer, 6 BA	4	-	5A/14
SEM054 FIG.5		. . . PLATE, face	1	-	5A/15
		Attaching parts for SEM054 FIG.5:-			
AS1248/1/2C		. . . Bolt, 2 BA mushroom head	10	-	5A/16

EQUIPMENT, AIRCRAFT
PRESSURE CABIN EQUIPMENT

Part Number	Description	No. Off	Matl. Spec.	Plate No.
SEM054 FIG.6 PLATE, anti-vibration mounting Attaching parts for SEM054 FIG.6:	1	—	5A/17
AS1248//B Bolt, 4BA mushroom head	4	—	5A/18
AGS2001/B/1 Nut, stiff, 4BA	4	—	5A/19
SP24/B Washer, 4BA	4	—	5A/20
—	. . . MOUNTING, VHF TRANSMITTER AND RECEIVER, INSTALLATION (EG7.80.687) Consisting of:	—	—	5/24
A25/3E BOLT, 1/4" BSF	2	—	5/31
EG7.82.519 CHANNEL, assembly	1	L72	5/28
2F-59-3 CORD, retaining,	QR	—	5/26
AGS2001/E/1 NUT, stiff, 1/4" BSF	2	—	5/40
AGS2105/403 PIN, pip, quick release	2	—	5/25
AGS2105/419 PIN, pip, quick release	2	—	5/38
EG7.82.481 STRUCTURE, mounting, assembly	1	—	5/27
SP16/E WASHER, 1/4" BSF plain	2	—	5/39
EG7.80.315 PANEL, assembly (Pre Mod 5466) Spares for:	1	—	5/30
6A/1037475 GAUGE, air temperature Attaching parts for 6A/1037475:	1	—	5/33
A44/B16 Screw, 4BA round head	4	—	5/32
5L/9959178 LAMP, filament, 0.04 amp	1	—	5/35
PAGE				
A6410/E/5 LAMP, warning, blue	1	—	5/36
EG7.80.1943 PANEL, sub assembly (Pre Mod 5466) Spares for:	1	—	5/42
DZUS				
PRC.3½ RECEPTACLE	8	—	5/41
PAGE				
A257 SLEEVE Attaching parts for EG7.80.315:	1	—	5/37
AS1248/1C Bolt, 2BA mushroom head	8	—	5/43
EG7.80.5069 PANEL, closing, assembly (Mod 5466) Spares for:—	1	—	34/1
A259 FILAMENT	1	—	34/2
6A/3682 GAUGE, air temperature	1	—	34/3
or				
6A/2769				
A44/B16 Attaching parts:— Screw, 4 BA, round head	4	—	34/4
A1290C LAMP, warning	1	—	34/5
EG7.80.5059 PANEL, sub-assembly Spares for:—	1	—	34/6
EG7.80.5061 PANEL	1	1.2 mm - L164	34/7
EG7.80.5019 PLATE, ident	1	—	34/8
AS10512/M1 SHROUD, terminal	3	—	34/9
EG7.80.5333 SUB-PANEL, assembly Spares for:—	1	—	34/10
PC3-1-2X547-6 CUP	4	—	34/11
EG7.80.5335 PANEL, blank	1	1.2 mm - L164	34/12
PS3-1-2 SPRING	4	—	34/13
EG7.80.5067 STRIP, packing	2	—	34/14
PF3-1-2-41X545 STUD	4	—	34/15
AS10512/A2 SWITCH, SP	2	—	34/16
AS10512/B6 SWITCH, SP	1	—	34/17
10648/BAC7-1 SWITCH, square, push Attaching parts for EG7.80.5069:—	1	—	34/18
AS1248/1C Screw, 2 BA, mushroom head	3	—	34/19
AS1248/2C Screw, 2 BA, mushroom head	6	—	34/20

EQUIPMENT, AIRCRAFT

PRESSURE CABIN EQUIPMENT

Part Number	Description	No. Off	Matl. Spec.	Plate No.
R EG7.80.5083	. . . PANEL, NAVIGATOR'S LOWER, ASSEMBLY (Mod 5466) Spares for:—	1	—	35/1
R EG7.80.5089	. . . BRACKET, mounting assembly Spares for:—	1	—	35/2
R EG7.80.5091	. . . BRACKET	1	—	35/3
R AGS2008/B1	. . . NUT, anchor, 4 BA Attaching parts for EG7.80.5089:—	6	—	35/4
R A32/B14	. . . Screw, 4 BA, round head	8	—	35/5
R SP15/B	. . . Washer	8	—	35/6
R UNIMINYVIN20	. . . CABLE, uniminyvin 20	QR	—	
R A259	. . . FILAMENT, 28 V, 0.04 A	2	—	35/7
R TYPE 9551	. . . INDICATOR, bearing repeater Attaching parts:—	1	—	35/8
R A116/1B	. . . Bolt, 6-32 UNC	4	—	35/9
R SP15/B	. . . Washer	4	—	35/10
R C500/E5	. . . LAMP, warning	1	—	35/11
R EG7.80.5097	. . . PANEL, assembly Spares for:—	1	—	35/12
R EG7.80.5099	. . . ANGLE	1	1.2 mm - L164	35/13
R EG7.80.5193	. . . CHANNEL, mounting assembly Spares for:—	1	—	35/14
R EG7.80.5195	. . . CHANNEL	1	1.2 mm - L164	35/15
R AGS2002/B1	. . . NUT, anchor, 4 BA	2	—	35/16
R EG7.80.5101	. . . PANEL, blank	1	2 mm - L164	35/17
R EG7.80.5257	. . . STIFFENER	1	1.2 mm - L164	35/18
R EG7.80.5351	. . . STRIP, support assembly Spares for:—	2	—	35/19
R EG7.80.5353	. . . STRIP	1	—	35/20
R PB3½	. . . WIRE FORM	4	—	35/21
R EG7.80.5355	. . . STRIP, support assembly Spares for:—	2	—	35/22
R EG7.80.5357	. . . STRIP	1	—	35/23
R PB3½	. . . WIRE FORM	4	—	35/24
R A257	. . . SLEEVE, cable	1	—	
R G198-1-1-7-19	. . . SLEEVE, 19 mm long	QR	—	
R AS10512/A4	. . . SWITCH, SP	1	—	35/25
R AS10512/A6	. . . SWITCH, SP	1	—	35/26
R AS10512/A5	. . . SWITCH, SP	1	—	35/27
R AS10512/B2	. . . SWITCH, SP	1	—	35/28
R AS10512/E4	. . . SWITCH, DPDT	1	—	35/29
R C1101/7C	. . . SWITCH, push button, amber	1	—	35/30
R 5162/Y MK 13	. . . SWITCH, push button Attaching parts:—	1	—	35/31
R A47/Z	. . . Nut, 8 BA	2	—	35/32
R A31/Z8	. . . Screw, 8 BA	2	—	35/33
R SP47/Z	. . . Washer	2	—	35/34

EQUIPMENT, AIRCRAFT

PRESSURE CABIN EQUIPMENT

Part Number	1 2 3 4 5 6	Description	No. Off	Mati. Spec.	Plate No.
R AS10512/M1	. . .	SHROUD, terminal	4	-	
R AS10512/M2	. . .	SHROUD, terminal	1	-	
R HC294/D	. . .	TAG, RT	5	-	
R SCD3326-6001-001	. . .	WASHER, crinkle Attaching parts for EG7.80.5083:-	5	-	
R AS1248/1C	. . .	Screw, 2 BA, mushroom head	8	-	35/35
R EG7.80.10019	. . .	PANEL, NAVIGATOR'S INSTRUMENT, ASSEMBLY (Mod 4865) (Pre Mod 5466) Spares for:-	1	-	5/15
EG7.80.2075	. . .	PANEL, blank (Mod 4865)	1	-	
EG7.80.2069	. . .	PLATE, adapter (Mod 4865 NR on EMB)	1	-	
KOLLSMAN MK30A	. . .	ALTIMETER, Mk.30A Attaching parts for MK30A	1	-	5/4
A205/B28	. . .	Screw, 6 UNC pan head	4	-	5/6
KING A/C C12958	. . .	CLAMP, instrument	1	-	5/20
SIS527	. . .	INDICATOR, air speed, Mk.9H(P) Attaching parts for SIS527	1	-	5/7
AGS2001/C/4	. . .	Nut, stiff, 2 BA	4	-	5/8
A44/C40	. . .	Screw, 2 BA round head	4	-	5/10
SPERRY 19834-0	. . .	INDICATOR, master, type E5, G.4B compass Attaching parts for 19834-0:-	1	-	5/12
AGS2001/C/4	. . .	Nut, stiff, 2 BA	3	-	5/13
A44/C24	. . .	Screw, 2 BA round head	3	-	5/3
WTD143473	. . .	INDICATOR, electrical, type 9547, tacan Attaching parts for WTD143473:-	1	-	5/11
A44/B28	. . .	Screw, 4 BA round head	4	-	5/1
or A205/B24	. . .	Screw, 6 UNC pan head	4	-	5/2
10Q/16357	. . .	INDICATOR, electrical, radio compass Attaching parts for 10Q/16357:-	1	-	5/14
A205/B20	. . .	Screw, 6 UNC pan head	4	-	5/16
SMITHS PW/21/RNA/CP/1	. . .	INDICATOR, radio magnetic	1	-	5/19
EG7.80.2119	. . .	PANEL, NAVIGATOR'S INSTRUMENT, ASSEMBLY (Mod 4865) Spares for:-	1	-	
EG7.80.2077	. . .	PLATE, adapter (Mod 4865)	1	-	
KOLLSMAN L84380-00-10	. . .	PLATE, mooring (Mod 4865)	1	-	
EG7.80.505	. . .	STRIP, rubber, black, 1/4" thick (Make from 32C/527)	1	-	5/18
AS2811/5/070	. . .	TUBE, distance, air speed indicator	4	-	5/9
6A/4338811	. . .	UNIT, vibrator and clip Attaching parts for EG7.80.2119:-	1	-	5/5
AGS2001/E/1	. . .	Nut, stiff, 1/4" BSF	4	-	5/23
SP15/E	. . .	Washer, 1/4" BSF plain	4	-	5/22

EQUIPMENT, AIRCRAFT

PRESSURE CABIN EQUIPMENT

Part Number	Description	No. Off	Mtl. Spec.	Plate No.
EG7.80.5053	. . . PANEL, NAVIGATOR'S FLIGHT INSTRUMENT, ASSEMBLY (Mod 5466) Spares for:—	1	—	33/1
KAA2201K ALTIMETER Mk 19F Attaching parts:—	1	—	33/2
A218/B20 Screw, 6-32 UNC, pan head	4	—	33/3
L82361-04-010 ALTIMETER Attaching parts:—	1	—	33/4
A219/B36 Screw, 6-32 UNC, pan head	4	—	33/5
19834-0 COMPASS (G4B) type E5 Attaching parts:—	1	—	33/6
A44/C24 Bolt, 2 BA, round head	3	—	33/7
AGS2001/C4 Nut, stiff, 2 BA	3	—	33/8
PW21-RNA-CP1 INDICATOR, radio magnetic Attaching parts:—	1	—	33/9
C12958 Clamp	1	—	33/10
TYPE 9547 INDICATOR, tacan Attaching parts:—	1	—	33/11
A44/B28 Bolt, 4 BA, round head	4	—	33/12
SIS527 INDICATOR, air speed Attaching parts:—	1	—	33/13
A44/C40 Bolt, 2 BA, round head	4	—	33/14
AGS2001/C4 Nut, stiff, 2 BA	4	—	33/15
AS2811/5/070 Tube, distance	4	—	33/16
EG7.80.5051 PANEL, blank	1	1.6 mm - L164	33/17
L84380-00-100 PLATE, mooring	1	—	33/18
 STOP-WATCH	—	—	33/19
EG7.80.5055 SUPPORT, plate, assembly Spares for:—	1	—	33/20
SIS3506 HOLDER, watch, Mk III	1	—	33/21
FORM 1167a HOLDER, frequency card	1	—	33/22
EG7.80.5057 SUPPORT, plate Attaching parts for EG7.80.5055:—	1	—	33/23
AGS2002/B1 Nut, 4 BA	3	—	33/24
A37/B20 Screw, 4 BA, csk head	2	—	33/25
A37/B16 Screw, 4 BA, csk head	1	—	33/26
R AS10512A2 SWITCH, S.P.	1	—	33/29
R KVC0101 VIBRATOR (Mod.5466) Attaching parts:—	1	—	33/30
R VCA103 Clamp, securing Attaching parts for EG7.80.5053:—	1	—	33/31
AGS2001/E1-68 Nut, 1/4" BSF	4	—	33/27
SP15/E Washer	4	—	33/28

EQUIPMENT, AIRCRAFT
PRESSURE CABIN EQUIPMENT

Part Number	Description 1 2 3 4 5 6	No. Off	Matl. Spec.	Plate No.

A.P.101B-0417-3A

EQUIPMENT, AIRCRAFT
PRESSURE CABIN EQUIPMENT

Part Number	Description	No. Off	Matl. Spec.	Plate No.
R -	PANEL, CONTROL, INSTALLATION (EG7.80.879) (MOD.4493) (Pre Mod 5466) Spares for:	-	-	6/12
AS1248/1/2C	BOLT, 2BA mushroom head	5	-	6/16
AS1248/1C	BOLT, 2BA mushroom head	3	-	6/17
EG7.80.2001	PANEL, CONTROL, ASSEMBLY Spares for:	1	-	6/24
UNINYVIN	CABLE, uninyvinmetsheath 20	QR	-	6/26
METSHEATH 20	CABLE, uninyvin 20	QR	-	6/27
UNINYVIN 20	CLIP, BONDING, ASSEMBLY Consisting of:	1	-	6/19
EEAS559/6	BUCKLE	1	S511	6/14
EEAS557	CABLE	QR	S511	6/15
EEAS558	PIN, split	1	-	6/13
SP90/G4	CONNECTOR, parallel	1	-	6/28
323794				
PAGE				
A259	FILAMENT, lamp, 28V, .04 A	1	-	6/10
508/2/09481/002	NUT, outlet	1	-	6/34
EG7.80.2003	PANEL, ASSEMBLY Spares for:	1	-	6/4
EG7.80.1717	PANEL, SUB-ASSEMBLY Spares for:	1	-	6/11
MR1-1AP274	HOLDER, deviation card	1	-	6/3
EG7.80.881	PANEL, SUB-ASSEMBLY Spares for:	1	-	6/5
EB6.90.143	BLOCK, tapped	2	S1	6/6
EG7.80.1307	PACKER	1	L72	6/7
PRC3%	RECEPTACLE, dzus	4	-	6/18
508/2/05604/002	PLUG, contact	5	-	6/40
UKAN				
8000-12S-3P	PLUG, fixed, 2-way	1	-	6/38
UKAN				
8000-14S-7P	PLUG, fixed, 3-way	1	-	6/42
508/2/05851/003	RING, anti-chafe	1	-	6/39
EEAS311/4	RING, bonding	1	-	6/21
EEAS200	RING, locking	1	Nylon	6/25
EEAS270	SCREW, 5BA	2	BS249	6/23
DOWTY				
AS10512M-1	SHROUD, terminal	1	-	6/2
PAGE				
A257	SLEEVE, cable	1	-	6/9
2Z139623	SLEEVE, packing	5	-	6/41
EEAS566	SLEEVE, rubber	1	-	6/20
EEAS146/2	SLEEVE, 1" long	QR	-	6/29
EEAS146/2	SLEEVE, 1 1/2" long	QR	-	6/43
EEAS146/20	SLEEVE, 3/4" long	QR	-	6/45
EEAS146/20	SLEEVE, 1/2" long	QR	-	6/30
DOWTY				
AS10512B-6	SWITCH, S.P.C/O	1	-	6/1
PAGE				
C1101-C7	SWITCH, push button - amber	1	-	6/8
N.S.F.				
8820/B125	SWITCH, VOR/ILS	1	-	6/22
or				
AS10512C-3	SWITCH, VOR/ILS	1	-	
HC295	TAG, ring tongue	7	-	6/31
2Z139595	WASHER, packing	1	-	6/44
2Z139596	WASHER, packing	1	-	6/46

EQUIPMENT, AIRCRAFT
PRESSURE CABIN EQUIPMENT

Part Number	Description	No. Off	Matl. Spec.	Plate No.
EG7.82.361 PIECE, bridge assembly Spares for:—	1	—	6/33
AGS2007/B1 NUT, anchor, 4 BA	4	—	
EG7.82.363 PIECE, bridge (Pre Mod 5270)	1	L72	
EG7.82.365 STIFFENER	2	—	
EG7.82.366 STIFFENER Attaching parts for EG7.82.361:—	2	—	
A25/2C Bolt, 2 BA hex. head	4	—	6/32
SP15/C Washer, 2 BA plain	4	—	6/35
— RACKING, ASSEMBLY (EG7.82.271) (Pre Mod 5466) Spares for:—	—	—	6/52
MARCONI RID.1004/A.E.C. LOCK-DEVICE, assembly	4	—	6/58
EG7.82.273 MEMBER, horizontal	2	—	6/57
MARCONI RID.1012/1-14C MEMBER, side	1	—	6/59
MARCONI RID.1012/2-14C MEMBER, side	1	—	6/53
MARCONI RID.1012/1-5C MEMBER, side	1	—	6/51
MARCONI RID.1012/1-5C MEMBER, side	1	—	6/50
TYPE 955 MOUNTING, anti-vibration	4	—	6/61
MARCONI W23862C(SHT.1) PLATE, mounting	4	—	6/60
MARCONI RID.1012/3 WASHER, domed, 2 BA	16	—	6/55
EEAS74 STRIP, sealing, 6" long	1	—	5A/21
SCSHQ126992AO STRUCTURE, indicator mounting	1	—	5A/22
— STRUCTURE, NAVIGATOR'S CONSOLE AND COAMING PANEL, ASSEMBLY (EG7.80.129) (Pre Mod 5466)	—	—	7/32
— STRUCTURE, NAVIGATOR'S CONSOLE (EG7.80.5029) (Mod 5466) Spares for:—	—	—	
EG7.80.2161 PANEL, COAMING, ASSEMBLY (Mod 5436) (Pre Mod 5466) Spares for:—	1	—	7/28
DN1245.MK14 INDICATOR, electro magnetic	1	—	7/1
EG7.80.1941 PANEL, COAMING, SUB-ASSEMBLY Spares for:—	1	—	7/5
EG7.80.805 PANEL, HINGED ACCESS, ASSEMBLY	1	—	7/17
703-1-00249 BLOCK, terminal, 20-way Attaching parts for 703-1-00249:—	1	—	7/29
A32/B28 Screw, 4 BA round head	2	—	7/30
EG7.80.1447 BRACKET, mounting, assembly Attaching parts for EG7.80.1447:—	1	L72	7/24
AS1242/1B Bolt, 4 BA c'sk head	3	—	7/31
AGS2002/B/1 Nut, stiff, 4 BA	3	—	7/23
SP15/B Washer, 4 BA plain	3	—	7/25
AJ3/30 FASTENER, dzus, domed head	2	—	7/26
DZUS No.3 RING, retaining, dzus, No.3	2	—	7/27

AP101B-0417-3A

EQUIPMENT, AIRCRAFT

PRESSURE CABIN EQUIPMENT

Part Number	Description	No. Off	Matl. Spec.	Plate No.
EG7.80.807	PANEL, HINGED, ACCESS, ASSEMBLY (Pre-Mod 5083) Spares for:—	1	—	7/6
AJ3/30	FASTENER, "dzus", domed head	2	—	7/13
28 FPE 127678	RING, retaining, dzus No 3	2	—	7/14
PRC3-1/2	RECEPTACLE, "dzus"	4	—	7/18
S3/175	SPRING, dzus (2 off for Mod 5083)	4	—	7/15
EEAS563	SLEEVE, special	1	M.A.M.	7/20
EEAS566	SLEEVE, special	1	Grade CH M.A.M.	7/22
5CW/4405515	SWITCH, dimmer, type "R" Attaching parts for 5CW/4405515:—	1	—	7/11
A32/A20	Screw, 6BA round head	3	—	7/12
5CW/4405516	SWITCH, dimmer, type "R" Attaching parts for 5CW/4405516	3	—	7/7
AGS2001/A/1	Nut, stiff, 6BA	3	—	7/8
A32/A20	Screw, 6BA round head	3	—	7/9
SP13/A	Washer, 6BA plain	3	—	7/10
N.S.F. 8824/B/101 or 5CW/4670947	SWITCH, tumbler, fan, on/off	1	—	7/19
N.S.F. 8804/B/102 or AS10512A-7	SWITCH, tumbler	1	—	7/21
5CW/4405593	SWITCH, tumbler, "Press to transmit"	1	—	7/2
AS2810/4/095	TUBE, distance, cable clips Attaching parts for EG7.80.2161:—	3	L62	7/4
AS1248/1C	Bolt, 2BA mushroom head	4	—	7/16
AS1248/2C	Bolt, 2BA mushroom head	2	—	7/3

EQUIPMENT, AIRCRAFT

PRESSURE CABIN EQUIPMENT

Part Number	1 2 3 4 5 6	Description	No. Off	Mati. Spec.	Plate No.
R EG7.80.5115	PANEL, NAVIGATOR'S COAMING ASSEMBLY (Mod 5466) Spares for:—	1	—	31/1
R EG7.80.145	ANGLE, assembly	1	—	31/2
R EG7.80.146	ANGLE, assembly	1	—	31/3
R EG7.80.1261	ANGLE, stiffener	1	—	31/4
R EG7.80.147	ANGLE, stiffener	1	—	31/5
R SIS1564	BLOCK, terminal Attaching parts:—	1	—	32/1
R AGS2001/A/1-66	Nut, stiff, 6 BA	2	—	32/2
R EG7.81.5497	Packer	1	—	32/3
R A33/A12	Screw, 6 BA, csk head	2	—	32/4
R SP122/A	Washer	2	—	32/5
R 703-1-00249	BLOCK, terminal Attaching parts:—	1	—	32/6
R AGS2001/B/1-66	Nut, stiff, 4 BA	2	—	32/7
R EB1.81.291	Piece, distance	2	—	32/8
R A32/B44	Screw, 4 BA, round head	2	—	32/9
R SP13/B	Washer	2	—	32/10
R UNIMINYVIN 20	CABLE, uniminyvin 20	QR	—	32/11
R AS3180/5B	CLIP, "P" Attaching parts:—	1	—	32/12
R AGS2001/B/1-66	Nut, stiff, 4 BA	1	—	32/13
R A32/B44	Screw, 4 BA, round head	1	—	32/14
R AS2810/4/095	Tube, distance	1	—	32/15
R SP13/B	Washer	1	—	32/16
R AS3180/5B	CLIP, "P" Attaching parts:—	1	—	32/17
R AGS2001/B/1-66	Nut, stiff, 4 BA	1	—	32/18
R A32/B13	Screw, 4 BA, round head	1	—	32/19
R SP13/B	Washer	1	—	32/20
R AS3180/4B	CLIP, "P" Attaching parts:—	2	—	32/21
R AGS2001/B/1-66	Nut, stiff, 4 BA	1	—	32/22
R A32/B44	Screw, 4 BA, round head	1	—	32/23
R AS2810/4/095	Tube, distance	1	—	32/24
R SP13/B	Washer	1	—	32/25
R AS3180/4B	CLIP, "P" Attaching parts:—	1	—	32/26
R AGS2001/B/1-66	Nut, stiff, 4 BA	1	—	32/27
R A32/B13	Screw, 4 BA, round head	1	—	32/28
R SP13/B	Washer	1	—	32/29

EQUIPMENT, AIRCRAFT

PRESSURE CABIN EQUIPMENT

Part Number	Description						No. Off	Mati. Spec.	Plate No.
	1	2	3	4	5	6			
R A259	1	-	31/6
R CSP/3B/6NC	1	-	31/7
R CSP/3C/6NC	1	-	31/8
R C500A5	1	-	31/9
R DN1245 MK14	1	-	31/10
R K114-25	2	-	31/11
R A55/A10	1	-	31/12
R Z50210	6	-	
R EG7.80.5117	1	1.6 mm - L164	31/13
R EG7.80.5209	1	-	31/14
R AGS2007/C/1	3	-	31/15
R EG7.80.807	1	-	31/16
R EG7.80.5321	1	-	31/17
R AJ3/30	2	-	31/18
R AS1877/45	1	-	31/19
R EG7.80.817	1	-	31/20
R EG7.80.5323	1	1.6 mm - L164	31/21
R No.3	2	-	31/22
R EG7.80.5371	1	0.56 mm - L164	31/23
R EG7.80.5015	1	0.56 mm - L164	31/24
R EG7.80.5031	1	0.56 mm - L164	31/25
R EG7.80.5341	1	0.56 mm - L164	31/26
R EG7.80.675	1	-	31/27
R EC010643	1	-	
R PRC3½	4	-	31/28
R EG7.80.137	1	-	31/29
R AS10512/M/1	3	-	32/30
R S3/175	4	-	31/30
R AS10512/A2	2	-	31/31
R 01-0203-1	2	-	31/32
R 10648-BAC7-1	1	-	31/33
R 5CW/2452	1	-	31/34
R A32/A20	3	-	31/35
R 5CW/2530	1	-	31/36
R AGS2001/A/1-66	3	-	31/37
R A32/A20	3	-	31/38
R SP122/A	3	-	31/39

EQUIPMENT, AIRCRAFT

PRESSURE CABIN EQUIPMENT

Part Number	1 2 3 4 5 6	Description	No. Off	Matl. Spec.	Plate No.
R	AS10512/A7 SWITCH	1	—	31/40
R	G198-1-1-7-19 SLEEVE, 19 mm long	QR	—	
R	G198-1-1-15-13 SLEEVE, 13 mm long	QR	—	
R	EEAS563 SLEEVE, special	1	—	
R	CXH-3/8 SLEEVE, 3 mm I/D	20	—	
R	HC296 TAG	12	—	
R	HC490 TAG	13	—	
R	5CW/4405593 TRANSFER — "OXY"	1	—	31/41
R	DP1002/A WASHER	7	—	
		Attaching parts for EG7.80.5115:—			
R	AS1248/2C Screw, 2 BA, mushroom head	2	—	31/42
R	AS1248/1C Screw, 2 BA, mushroom head	4	—	31/43
R	— PLATFORM, NAVIGATOR'S LOWER INSTALLATION (EG7.80.171)	—	—	8/18
		Spares for:—			
R	EG7.80.539 ANGLE, fastener, assembly	1	L72	8/23
		Spares for:—			
R	S4/225 SPRING, dzus	3	—	8/21
R	EG7.80.509 BRACKET, fastener, assembly	1	L72	8/24
		Spares for:—			
R	S4/225 SPRING, dzus	1	—	8/27
R	EG7.80.513 FOOTREST, navigator's, assembly	1	—	8/30
		Spares for:—			
R	EG7.80.519 CHANNEL, assembly	1	L72	8/34
		Spares for:—			
R	S4/225 SPRING, dzus	2	—	8/35
R	EG7.80.520 CHANNEL, assembly	1	L72	8/29
		Spares for:—			
R	S4/225 Spring, dzus	2	—	8/33

EQUIPMENT, AIRCRAFT

PRESSURE CABIN EQUIPMENT

Part Number	Description 1 2 3 4 5 6	No. Off	Matl. Spec.	Plate No.

EQUIPMENT, AIRCRAFT

PRESSURE CABIN EQUIPMENT

Part Number	1 2 3 4 5 6	Description	No. Off	Mtl. Spec.	Plate No.
EG7.80.521		MEMBER, LOWER, ASSEMBLY	1	L72	8/39
S4/225		Spares for:— SPRING, dzus	3	-	8/40
EG7.80.523		MEMBER, UPPER, ASSEMBLY	1	L72	8/26
S4/225		Spares for:— SPRING, dzus	2	-	8/25
EG7.80.515		PANEL, ACCESS, ASSEMBLY	1	L72	8/38
AJ4/25		Spares for:— FASTENER, dzus, domed head	9	-	8/36
DZUS No 4		RING, retaining, dzus No 4	9	-	8/37
EG7.80.553		GUARD, DEBRIS, ASSEMBLY	1	L72	8/28
A4/25		Spares for:— FASTENER, dzus, domed head	7	-	8/31
DZUS No 4		RING, retaining, dzus No 4	7	-	8/32
EG7.80.455		GUARD, navigator's shim, assembly	1	-	8/22
EG7.80.495		PLATFORM, LOWER, ASSEMBLY	1	-	8/17
A25/5E		Spares for:— BOLT, 1/4" BSF, hex head	16	-	8/20
EG7.80.679		BOLT, special 3/8" BSF, VOR/ILS mounting trays, assembly	4	S94	8/11
10AJ/1202353		MOUNTING, anti-vibration type	2	-	8/12
10AJ/1202354		MOUNTING, anti-vibration type 973	2	-	8/13
AGS2001/E/1		NUT, stiff, 1/4" BSF	16	-	8/14
EG7.80.685		PACKING, VOR/ILS mounting trays	4	Tufnol	8/19
SP15/E		WASHER, 1/4" BSF plain	16	-	8/15
EG7.80.313		SPRING, navigator's table	1	ST3 or DTD5A	8/16
-		STRUCTURE, TABLE LEVEL, ASSEMBLY (EG7.80.173)	-	-	8/10
EG7.80.123		Spares for:— BOLT, special 2BA	1	S96	8/43
A25/1C		BOLT, 2BA hex head	14	-	8/3
AS1248/2C		BOLT, 2BA mushroom head	18	-	8/6
AGS2001/C/1		NUT, stiff, 2BA	15	-	8/5
EG7.80.659		PACKING	1	L72	8/2
EG7.80.2903		PACKING	2	L72	8/9
EG7.80.661		PACKING	2	L72	8/1
EG7.80.643		PAD, rubber, 1/16" thick (Make from 32C/272)	1	S/H70	8/7
EG7.80.125		PIECE, distance	1	S1	8/42
EA3.81.1165		STUD, mounting, assembly	1	-	8/8
EG7.80.127		WASHER, special	1	S510	8/41

EQUIPMENT, AIRCRAFT

PRESSURE CABIN EQUIPMENT

Part Number	Description	No. Off	Matl. Spec.	Plate No.
R SP15/C WASHER, 2BA plain	15	-	8/4
R - STRUCTURE, ABOVE TABLE LEVEL, ASSEMBLY (EG7.80.175) (Pre Mod 5466)	-	-	9/22
R - STRUCTURE, ABOVE NAVIGATOR'S TABLE (EG7.80.5025) (Mod 5466)	-	-	
EG7.80.733	Spares for:- BOLT, special (Make from A25/10E)	4	-	9/26
R - BOX ASSEMBLY, AR123363 AND HF RADIO CONTROL UNITS (EG7.80.5093) (Mod 5466)	-	-	29/1
R EG7.80.5247	Spares for:- BOX, sub assembly	1	-	29/2
R EG7.80.5249 BOX, blank	1	-	29/3
R AGS2008/C/1 NUT, anchor, 2 BA	2	-	29/4
R EG7.80.5373 PLATE, ident	1	-	29/5
R PRN3½ RECEPTACLE	8	-	29/6
R EG7.80.5255 PLATE, cover Attaching parts:-	1	-	29/7
R A25/5C Bolt, 2 BA	6	-	29/8
R SP126/D Washer	6	-	29/9
R EG7.80.5251 SIDE assembly, LH Spares for:-	1	-	29/10
R AGS2008/C/1 NUT, anchor, 2 BA	2	-	29/11
R EG7.80.5253 SIDE, blank	1	1.2 mm - L164	29/12
R EG7.80.5252 SIDE, assembly, RH Spares for:-	1	-	29/13
R AGS2008/C/1 NUT, anchor, 2 BA	2	-	29/14
R EG7.80.5254 SIDE, blank	1	1.2 mm - L164	29/15
R - BOX ASSEMBLY, AR123362, CD UNIT (EG7.80.5095) (Mod 5466)	-	-	29/16
R EG7.80.5237	Spares for:- BOX, sub assembly	1	-	29/17
R EG7.80.5245 BOX, blank	1	-	29/18
R AGS2008/C/1 NUT, anchor, 2 BA	4	-	29/19
R EG7.80.5235 PLATE, cover Attaching parts:-	1	1.2 mm - L164	29/20
R A25/5C Bolt, 2 BA	4	-	29/21
R SP126/D Washer	4	-	29/22
R EG7.80.5233 SIDE assembly, LH Spares for:-	1	-	29/23
R EG7.80.5239 SIDE, blank	1	1.2 mm - L164	29/24
R PR3½ STRIP, receptacle	1	-	29/25
R EG7.80.5234 SIDE, assembly, RH Spares for:-	1	-	29/26
R EG7.80.5240 SIDE, blank	1	1.2 mm - L164	29/27
R PR3½ STRIP, receptacle	1	-	29/28

EQUIPMENT, AIRCRAFT

PRESSURE CABIN EQUIPMENT

Part Number	Description						No. Off	Matl. Spec.	Plate No.
	1	2	3	4	5	6			
R A25/2C	BOLT, 2 BA (Mod 5466)	13	-	29/29
R EG7.80.5147	BRACKET (Mod 5466)	1	0.9 mm - L164	29/30
R EG7.80.567	BRACKET (Pre Mod 5466)	1	-	9/55
R A25/1B	Attaching parts:- Bolt, 4 BA	4	-	9/56
R AGS2001/B/1	Nut, stiff, 4 BA	4	-	9/57
R SP15/B	Washer	4	-	9/58
R EG7.80.569	BRACKET (Pre Mod 5466)	1	-	9/59
R EG7.71.13	BRACKET, assembly (Pre Mod 5466)	1	-	9/60
R AS1242/12C	Attaching parts:- Bolt, 2 BA, csk head	4	-	9/61
R AGS2001/C/1	Nut, stiff, 2 BA	4	-	9/62
R SP15/B	Washer	4	-	9/63
R EG7.71.135	BLOCK (Pre Mod 5466)	1	-	9/64
R EG7.80.721	DIAPHRAGM (Pre Mod 5466)	1	-	9/65
R EG7.80.717	DIAPHRAGM (Pre Mod 5466)	1	-	9/66
R 10AJ/1201981	MOUNTING, anti-vibration, type 951	4	-	9/25
R A25/1B	Attaching parts:- Bolt, 4 BA, hex head	16	-	9/15
R AGS2001/B/1	Nut, stiff, 4 BA	16	-	9/16
R SP15/B	Washer, 4 BA, plain	16	-	9/17
R A27/EP	NUT, 1/4" .BSF, plain	4	-	9/27
R AGS2001/C/1-66	NUT, stiff, 2 BA (Mod 5466)	13	-	29/31
R AGS2019/C/3	NUT, anchor, 2 BA (Mod 5466)	1	-	29/32
R AGS2007/C/1	NUT, anchor, 2 BA (Mod 5466)	11	-	29/33
R EG7.80.5337	PACKER (Mod 5466)	1	-	29/34
R EG7.80.725	PANEL, ACCESS ASSEMBLY (Pre Mod 5466)	1	L72	9/36
R AJ4/30	Spares for:- FASTENER, dzus	3	-	9/35
R AJ4/35	FASTENER, dzus	2	-	9/41
R DZUS No.4	RING, retaining, dzus No.4	5	-	9/42
R EG7.80.697	PLATE, MOUNTING ASSEMBLY (Pre Mod 5466)	1	-	9/21
R A27/8P	Spares for:- NUT, 4 BA, plain	1	-	9/5
R AGS2001/B/1	NUT, stiff, 4 BA	1	-	9/19
R A31/B24	SCREW, 4 BA, cheese head	1	-	9/10
R S4/250	SPRING, dzus	2	-	9/29
R SP15/B	WASHER	1	-	9/18
R EEAS28/7/EP/H	WASHER, special	2	L16	9/7

EQUIPMENT, AIRCRAFT

PRESSURE CABIN EQUIPMENT

Part Number	1 2 3 4 5 6	Description	No. Off	Mtl. Spec.	Plate No.
R	EG7.80.709 PLATE, SIDE ASSEMBLY (Pre Mod 5466) Spares for:—	1	—	9/32
R	S4/225 SPRING, dzus	3	—	9/28
R	EG7.80.731 PLATE (Pre Mod 5466)	1	—	9/67
R	EG7.80.1955 PLATE (Pre Mod 5466)	2	—	9/68
R	EG7.80.1956 PLATE (Pre Mod 5466) Attaching parts for EG7.80.1955 and EG7.80.1956:—	2	—	9/69
R	AS1242/3B Bolt, 4 BA, csk head	1	—	9/70
R	AS1242/3C Bolt, 2 BA, csk head	2	—	9/71
R	AGS2001/B/1 Nut, stiff, 4 BA	1	—	9/72
R	AGS2001/C/1 Nut, stiff, 2 BA	2	—	9/73
R	SP15/B Washer	1	—	9/74
R	SP16/C Washer	2	—	9/75
R	SP124/D WASHER (Mod 5466)	1	—	29/35
R	SP125/D WASHER (Mod 5466)	12	—	29/36
R	— STRUCTURAL PROVISION FOR SPECTRUM ANALYSER (EG7.10.5201) (Mod 5466) Spares for:—	—	—	30/1
R	EG7.10.5229 BRACKET Attaching parts:—	1	—	30/2
R	A25/13E Bolt, 1/4" BSF	4	—	30/3
R	A27/ES Nut, 1/4" BSF	4	—	30/4
R	SP90/C9 Pin, split	4	—	30/5
R	EG7.10.5239 Plate, packing	2	4 mm - L165	30/6
R	SP124/E Washer	4	—	30/7
R	EG7.82.5799 BRACKET Attaching parts:—	1	16 SWG - L164	30/8
R	A25/6C Bolt, 2 BA	1	—	30/9
R	A25/12C Bolt, 2 BA	1	—	30/10
R	AGS2001/C/1-66 Nut, 2 BA	2	—	30/11
R	SP124/D Washer	2	—	30/12
R	EA3.16.5025 BRACKET, assembly Attaching parts:—	2	—	30/13
R	A27/EP Nut	1	—	30/14
R	EG7.82.5927 BRACKET, assembly Spares for:—	1	—	30/15
R	EG7.82.5925 BRACKET	1	—	30/16
R	AGS2007/C/1 NUT, anchor	3	—	30/17

EQUIPMENT, AIRCRAFT

PRESSURE CABIN EQUIPMENT

Part Number	1 2 3 4 5 6	Description	No. Off	Matl. Spec.	Plate No.
R	EEAS37/8A NIPPLE	26	—	30/18
R	EG7.10.5225 PLATE, side	1	1.6 mm - S514	30/19
		Attaching parts:—			
R	A25/27E Bolt, 1/4" BSF	1	—	30/20
R	A25/13E Bolt, 1/4" BSF	1	—	30/21
R	A25/1C Bolt, 2 BA	9	—	30/22
R	AGS2002/C/1 Nut, stiff, 2 BA	9	—	30/23
R	A27/ES Nut, slotted, 1/4" BSF	2	—	30/24
R	SP90/C9 Pin, split	2	—	30/25
R	SP124/D Washer	9	—	30/26
R	SP124/E Washer	2	—	30/27
R	EG7.10.5227 PLATE, side	1	1.6 mm - S514	30/28
		Attaching parts:—			
R	A25/13E Bolt, 1/4" BSF	2	—	30/29
R	A25/3C Bolt, 2 BA	1	—	30/30
R	A25/1C Bolt, 2 BA	6	—	30/31
R	AGS2002/C/1 Nut, stiff, 2 BA	7	—	30/32
R	A27/ES Nut, slotted, 1/4" BSF	2	—	30/33
R	SP90/C9 Pin, split	2	—	30/34
R	SP124/D Washer	7	—	30/35
R	SP124/E Washer	2	—	30/36
R	EG7.10.5231 PLATE, joint	1	1.6 mm - L165	30/37
R	EG7.10.5233 PLATE, spacing	1	1.6 mm - L165	30/38
R	EG7.10.5235 PLATE, mounting	1	1.6 mm - S514	30/39
R	EG7.10.5241 PLATE, packing	1	4 mm - L165	30/40
R	EG7.10.5243 PLATE, packing	1	4 mm - L165	30/41
R	EG7.82.3159 PLATE, mounting assembly	1	—	30/42
		Spares for:—			
R	P399/33A CLAMP, "Muffelite"	2	—	30/43
		Attaching parts:—			
R	EG7.82.3167 Pin, shear	1	—	30/44
R	SP90/C3 Pin, split	1	—	30/45
R	EG7.82.3165 Washer, conical	1	—	30/46
R	SP124/C Washer	1	—	30/47
R	EG7.82.3139 MOUNTING, spectrum analyser	1	—	30/48
		Attaching parts:—			
R	AS1242/6G Bolt, 5/16" BSF	4	—	30/49
R	A27/GS Nut, 5/16" BSF	4	—	30/50
R	SP90/E6 Pin, split	4	—	30/51
R	SP125/G Washer	4	—	30/52
R	EG7.82.3153 RAIL, female	2	—	30/53
R	EEAS38/2A SPOKE	13	—	30/54
R	4100N06X1-2 SCREW, PK	8	—	30/55
R	EG7.10.5245 TUBE, cross coaming	1	—	30/56

EQUIPMENT, AIRCRAFT

PRESSURE CABIN EQUIPMENT

Part Number	1 2 3 4 5 6	Description	No. Off	Matl. Spec.	Plate No.
R	EG7.80.69 TABLE, NAVIGATOR'S FOLDING ASSEMBLY Spares for:—	1	—	9/39
R	EG7.80.123 BOLT, special, 2 BA	1	S96	9/53
R	EG7.80.381 CATCH, assembly Attaching parts:—	1	S1	9/37
R	AS1246/1C Bolt, 2 BA, round head	2	—	9/38
R	A27/CP Nut, 2 BA, plain	2	—	9/44
R	EG7.80.821 Plate, saddle	1	L72	9/43
R	EG7.80.101 HINGE (Make from Ref. 28N/9486785)	1	—	9/31
R	AGS2001/C/1 NUT, stiff, 2 BA	1	—	9/30
R	EG7.80.111 OVERLAY, cork, 1/8" thick (Make from 32B/9103610)	1	Langite	9/33
R	EG7.80.125 PIECE, distance	1	S1	9/51
R	EG7.80.127 WASHER, special	1	S510	9/52
R	SP23/C WASHER, 2 BA	1	—	9/50

EQUIPMENT, AIRCRAFT
PRESSURE CABIN EQUIPMENT

Part Number	Description	No. Off	Matl. Spec.	Plate No.
— UP-LOCK, NAVIGATOR'S TABLE, ASSEMBLY (EG7.80.367)	—	—	9/14
EG7.80.369	Consisting of: LOCK, ASSEMBLY	1	—	9/23
EG7.80.373	Consisting of: BRACKET	1	S510	9/13
EG7.80.377 LOCK	1	St BAR	9/20
	Attaching parts for EG7.80.377:			
SP4Y/B10 Pin, shackle	1	—	9/12
SP90/C3 Pin, split	1	—	9/9
SP13/C Washer, 2BA plain	1	—	9/6
SP90/E4 PIN, split	1	—	9/11
EG7.80.379 SPRING	1	ST.A.3 or DTD5A	9/8
	Attaching parts for EG7.80.369:			
A25/12C Bolt, 2BA hex. head	2	—	9/1
AGS2002/C/1 Nut, stiff, 2BA	2	—	9/4
EG7.80.1985 Packing	1	BS2572 Type F3	9/2
SP15/C Washer, 2BA plain	2	—	9/3
EG7.80.179 WALL, VERTICAL, ASSEMBLY	1	—	9/45
	Spares for:			
EG7.80.335 LUG, attachment	1	L65	9/54
	Attaching parts for EG7.80.335:			
A25/8E Bolt, 1/4" BSF hex. head	4	—	9/49
A27/EP Nut, 1/4" BSF plain	4	—	9/47
SP15/E Washer, 1/4" BSF plain	4	—	9/48
5895-99-4804937	. . . TRAY, ID226 indicator mounting	1	—	5A/23
AS2811/6/112	. . . TUBE, distance	4	L62	6/62
WE1417	. . . UNIT, chaff dispenser	1	—	5A/24
10L/291	. . . UNIT, stripper, window control, type 7122 (Pre SAS4745)	1	—	9/40
7B/9632737	. . . UNIT, cartridge discharger control (Pre SAS4745)	1	—	9/24
EG7.80.915	. . . WASHER, special check (Pre Mod 5466)	4	L72	6/63

EQUIPMENT, AIRCRAFT

PRESSURE CABIN EQUIPMENT

Part Number	Description	No. Off	Matl. Spec.	Plate No.
R -	WALL, PORT, AT NAVIGATOR'S STATION, ASSEMBLY (EG7.80.5169) (Mod 5466) Spares for: -	-	-	36/1
R EG7.80.5189	BRACKET	1	1.2 mm - L164	36/2
R EG7.80.5185	BRACKET, assembly Spares for: -	1	-	36/3
R EG7.80.5187	BRACKET	1	1.2 mm - L164	36/4
R EG7.80.5183	BRACKET	1	1.6 mm - L164	36/5
R EG7.80.5179	BRACKET, assembly Spares for: -	1	-	36/6
R EG7.80.5181	BRACKET	1	1.2 mm - L164	36/7
R EG7.80.5183	BRACKET	1	1.6 mm - L164	36/8
R EG7.80.1461	CHANNEL, mounting assembly Spares for: -	1	-	36/9
R EG7.80.1463	CHANNEL, mounting	1	-	36/10
R AGS2018/B/1	NUT, anchor, 4 BA	4	-	36/11
R SIS6157	HOLDER, deviation card	1	-	36/12
R 6A/1046811	HOLDER, frequency card	1	-	36/13
R EG7.80.5171	PANEL, assembly Spares for: -	1	-	36/14
R AGS2007/C/1	NUT, anchor, 2 BA	4	-	36/15
R EG7.80.5173	PANEL	1	1.2 mm - L164	36/16
R EG7.80.5175	PANEL, assembly Spares for: -	1	-	36/17
R AGS2019/C/1	NUT, anchor, 2 BA	4	-	36/18
R EG7.80.5177	PANEL	1	1.2 mm - L164	36/19

EQUIPMENT, AIRCRAFT

PRESSURE CABIN EQUIPMENT

Part Number	Description	No. Off	Matl. Spec.	Plate No.
R -	. EQUIPMENT AT AE OPERATOR'S STATION, ASSEMBLY (EG7.80.309) (Pre Mod 5466) Spares for:—	—	—	28/1
R WB1110/S/5/B	. . BLOCK, terminal (SRIM 3668) (SAS4745) (Pre Mod 5466) Attaching parts for WB1110/S/5/B:—	1	—	28/2
AGS2002/B/1	. . Nut, stiff, 4 BA	2	—	28/3
WB1114/28	. . Pillar	2	—	28/4
SP13/B	. . Washer, 4 BA	2	—	28/5
R 703-1-00249	. . BLOCK, terminal (SRIM 3770) (SAS4745) (Pre Mod 5466) Attaching parts for 703-1-00249:—	1	—	28/6
AGS2002/B/1	. . Nut, stiff, 4 BA	2	—	28/7
Z28426	. . Pillar, fixing	2	—	28/8
SP13/B	. . Washer, 4 BA	2	—	28/9
R SRIM3624 FIG.1	. . BOX, switch (SRIM 3624) (SAS4745) (Pre Mod 5466)	1	—	28/10
R SRIM3624 FIG.1	. . BRACKET, securing (SRIM 3624) (SAS4745) (Pre Mod 5466) Attaching parts for bracket:	1	—	28/11
A25/1B	. . Bolt, 4 BA	2	—	28/12
AGS2002/B/1	. . Nut, stiff, 4 BA	2	—	28/13
SP13/B	. . Washer, 4 BA	2	—	28/14
R SRIM3791 FIG.5B	. . CHASSIS, meter box (SRIM 3791) (SAS4745) (Pre Mod 5466) Attaching parts for chassis:—	1	—	28/15
A25/3C	. . Bolt, 2 BA	3	—	28/16
R SC95440	. . COVER, TB, sub assembly (SRIM 3668) (SAS4745) (Pre Mod 5466)	1	—	28/17
R C225111	. . COVER, TB (SRIM 3770) (SAS4745) (Pre Mod 5466)	1	—	28/18
R -	. . FAN, AE OPERATOR'S, INSTALLATION (EG7.80.1181) (Pre Mod 5466) Consisting of:—	—	—	10/14
EG7.80.1187 ARM	1	L65	10/12
EG7.80.1381 BOLT, knurled shoulder	2	S96	10/13
EG7.80.1183 BRACKET Attaching parts for EG7.80.1183:—	1	L65	10/3
A25/3C Bolt, 2 BA (Pre SAS4745)	1	—	10/1
A25/3C Bolt, 2 BA (SAS4745)	2	—	
A25/4C Bolt, 2 BA (Pre SAS4745)	1	—	10/5
AGS2001/C/1 Nut, stiff, 2 BA	2	—	10/2
SP15/C Washer, 2 BA	2	—	10/4

EQUIPMENT, AIRCRAFT
PRESSURE CABIN EQUIPMENT

Part Number	Description	No. Off	Matl. Spec.	Plate No.
EG5.80.115 BUSH, threaded (SAS4745)	2	-	
EG7.80.1185 CLAMP, half	1	S96	10/10
EG7.80.1186 CLAMP, half	1	S96	10/9
AS4525/3 CLIP (Mod.5250) (Pre SAS4745)	1	-	
G.E.C. LTD TYPE V93/1 FAN, 28 volt (Pre Mod.5250)	1	-	10/6
or HERMAN SMITH V93S FAN, 28 volt (Pre Mod.5250)	1	-	10/7
or HERMAN SMITH V93/1 FAN, 28 volt (Pre Mod.5250)	1	-	10/8
- FAN, AE OPERATOR'S, ASSEMBLY (EG7.80.3775) (Mod.5250)	-	-	10A/1
	Spares for:			
EG7.80.1187 ARM	1	L65	10A/2
EG7.80.1183 BRACKET	1	L65	10A/3
EG7.80.1381 BOLT, knurled shoulder	2	S96	10A/4
EG5.80.115 BUSH, threaded	2	-	10A/5
EG7.80.1185 CLAMP, half	1	S96	10A/6
EG7.80.1186 CLAMP, half	1	S96	10A/7
HERMAN SMITH HE-64700-15 FAN, 28 volt	1	-	10A/8
EG5.80.121 PIN	1	S96	10A/9
	Attaching parts for EG7.80.3775:			
A25/3C Bolt, 2BA hex. head	1	-	10A/10
A25/4C Bolt, 2BA hex. head	1	-	10A/11
AGS2001/C/1 Nut, stiff, 2BA	2	-	10A/12
SP15/C Washer	2	-	10A/13
EG5.80.121 PIN	1	S96	10/11
SCL 1/2 GREY TUBING, thermoshrink (Mod.5250)	QR	-	
R 5L/9959118	. . . FILAMENT, lamp (SRIM3791) (SAS4745) (Pre Mod 5466)	2	-	
R -	. . . FLOOR, AE OPERATOR'S INSTALLATION (EG7.80.911) (Pre Mod 5466)	-	-	10/15
	Spares for:			
EG7.80.913	. . . FLOOR, AE OPERATOR'S, ASSEMBLY	1	-	10/16
	Spares for:			
AS1248/1C BOLT, 2BA mushroom head	10	-	10/18
AS1248/2C BOLT, 2BA mushroom head	3	-	10/34
AS1248/10C BOLT, 2BA mushroom head	4	-	10/23
MARTIN BAKER A/MBEU/3666 BRACKET, leg restraint	2	-	10/20
	Attaching parts for A/MBEU/3666:			
A25/3C Bolt, 2BA hex. head	4	-	10/21
EG7.80.953 CLEAT	2	L72	10/29
	Attaching parts for EG7.80.953:			
AS1248/1C Bolt, 2BA mushroom head	4	-	10/32
A27/CT Nut, 2BA thin	4	-	10/25
SP15/C Washer, 2BA plain	4	-	10/26

EQUIPMENT, AIRCRAFT
PRESSURE CABIN EQUIPMENT

Part Number	1 2 3 4 5 6	Description	No. Off	Matl. Spec.	Plate No.
AGS2001/C/1	NUT, stiff, 2BA	17	-	10/35
EG7.80.959	PACKING	1	-	10/28
EG7.80.933	PLATE	1	L72	10/19
EG7.80.935	PLATE	1	L72	10/22
EG7.80.957	PLATE, bearing	2	L72	10/27
EG7.80.1173	PLATE	1	L73	10/30
EG7.80.919	SKIN, floor	1	L72	10/17
S4/225	SPRING, dzus	2	-	10/33
AS2808/5/055	TUBE, distance	4	T35	10/24
SP15/C	WASHER, 2BA plain	17	-	10/31
R Z4017	GROMMET (SRIM3791) (SAS4745) (Pre Mod 5466)	2	-	28/19
-	INSTALLATION OF AN/APR9 CONTROL UNIT, SRIM3922 (DRG SCS HG127735 A0)	-	-	
		Spares for:			
AN/APR9	UNIT, control (SRIM3922)	1	-	
R 10AK/9510626	KNOB (SEM019) (SAS4745) (Pre Mod 5466)	1	-	28/20
		Attaching parts for 10AK/9510626:			
PF47671/1	Screw, grub, 6 UNC	1	-	28/21
R SRIM3791 (FIG.5A)	LABEL, engraved (SRIM 3791) (SAS4745) (Pre Mod 5466)	1	-	28/22
R 01-0461	LAMP, bridge, miniature pillar, type 'D' (SRIM 3791) (SAS4745) (Pre Mod 5466)	1	-	28/23
R S231-5-453	METER, frequency (SRIM3791) (SAS4745) (Pre Mod 5466)	1	-	28/24
		Attaching parts for 5Q/6287570:			
A204/B24	Screw, 6 UNC, c&k head	4	-	28/25
-	MODIFICATION OF AEO'S SWITCH BOX INTRODUCED ON SRIM 3624 (SEE SRIM DRG.SCS HQ127620 A3 SRIM 3932) (Pre Mod 5466)	-	-	
		Spares for:			
R -	BOX, switch (SRIM 3922)	1	-	
R -	MOUNTING, TRANSMITTER/RECEIVER, RAMP AND FOOTSTEP, INSTALLATION (EG7.80.3777) (MOD 5428) (Pre Mod 5466)	-	-	11/25
		Spares for:-			
EG7.80.1155	ANGLE	1	-	11/40
AS1242/3C	BOLT, 2BA c'sk head	16	-	11/10
EG7.80.961	FOOTSTEP, AE OPERATOR'S FLOOR, ASSEMBLY	1	-	11/35
		Spares for:-			
AJ4/45	FASTENER, dzus, domed head	2	-	11/16

EQUIPMENT, AIRCRAFT
PRESSURE CABIN EQUIPMENT

Part Number	Description 1 2 3 4 5 6	No. Off	Matl. Spec.	Plate No.

EQUIPMENT, AIRCRAFT
PRESSURE CABIN EQUIPMENT

Part Number	Description	No. Off	Matl. Spec.	Plate No.
DZUS No. 4 RING, retaining, dzus, No.4	2	-	11/17
AGS2001/C/1 NUT, stiff, 2BA	16	-	11/6
EG7.80.965 PAD, rubber (Make from 32C/499)	1	S/H40	11/38
EG7.82.289 RAMP, FOR TRANSMITTER/RECEIVER UNIT, ASSEMBLY	1	-	11/27
EG7.82.301	Spares for: PANEL, facing, tufnol, 1/8" thick	1	BS2572 Type F3	11/32
AS1242/1C	Attaching parts for EG7.82.301: Bolt, 2BA c'sk head	4	-	11/28
EG7.82.299 RAMP	1	L72	11/36
EG7.82.277 STRUCTURE, transmitter/receiver mounting, assembly Attaching parts for EG7.82.277:	1	L72	11/26
A25/4E Bolt, 1/4" BSF hex. head	4	-	11/23
SP15/E Washer, 1/4" BSF plain	4	-	11/24
EG7.80.963 TOP-HAT	1	L72	11/39
SP15/C WASHER, 2BA plain	16	-	11/9
R - MOUNTING, INSTALLATION (EG7.81.1383)(Pre Mod 5466) Spares for:	-	-	11/19
R EG7.81.1385 PLATE, mounting, fuse box, compressor and relay, assembly (Pre Mod 5466) Attaching parts for EG7.81.1385:	1	L72	11/15
AS1248/1C Bolt, 2BA mushroom head	6	-	11/13
EG7.81.2253 MOUNTING, DIMMER PANEL, ASSEMBLY (Pre SAS4745) Spares for:	1	L72	11/14
5X/1004088 BLOCK, terminal, 10-way	1	-	11/7
703-1-00265 COVER, terminal block	1	-	11/11
Z50210 LINK, terminal connecting	2	-	11/12
AGS2001/B/1 NUT, stiff, 4BA	2	-	11/2
Z28426 PILLAR, fixing	2	-	11/5
M.A.M. SLEEVE, 3/8" long x 3 mm i/d, pink	10	-	11/8
SP13/B WASHER, 4BA plain	2	-	11/4
A25/1C	Attaching parts for EG7.81.2253: Bolt, 2BA hex. head	8	-	11/1
SP15/C Washer, 2BA plain	8	-	11/3
R EG7.80.1203 MOUNTING, G.4B COMPASS AMPLIFIER UNIT, INSTALLATION (Pre Mod 5466) Spares for:	1	-	11/18
EG7.80.1213 BRACKET	1	L72	11/37
EG7.80.1205 PLATE, MOUNTING, ASSEMBLY Spares for:	1	L72	11/29
M.M.M. ADHESIVE	QR	-	11/30
E.C.776 EXTRUSION	QR	-	11/31
HELLERMANN				
EE11/2				

EQUIPMENT, AIRCRAFT
PRESSURE CABIN EQUIPMENT

Part Number	Description	No. Off	Matl. Spec.	Plate No.
R - PANEL, CONTROL, STARBOARD WALL, INSTALLATION (EG7.80.887) (Pre Mod 5466) Spares for:	-	-	12/9
EG7.80.1157 BRACKET, FASTENER, ASSEMBLY Spares for:	3	-	12/21
S4/200 SPRING, dzus	1	-	12/18
EEAS18/2/ER STRIP, packing	1	L72	12/19
AGS2014/C11 NUT, anchor, 2BA (SAS4745)	5	-	-
R - PANEL, CONTROL, STARBOARD WALL, ASSEMBLY (EG7.80.889) (Pre Mod 5466) Spares for:	-	-	12/12
R EG7.80.983 DIAPHRAGM, FORWARD, ASSEMBLY (Pre Mod 5466) Spares for:	1	-	12/39
EG7.80.989 PACKING	1	L72	12/24
EG7.80.1193 PLATE, reinforcing	1	L72	12/26
PR.3.1/2 STRIP, panel mounting, dzus	2	-	12/25
R EG7.80.991 DIAPHRAGM, CENTRE, ASSEMBLY (Pre Mod 5466) Spares for:	1	-	12/36
PR.3.1/2 STRIP, panel mounting, dzus	2	-	12/34
EG7.80.995 SPACER, tufnol, 3/8" thick	1	BS2572 Type F3	12/35
R EG7.80.1023 DIAPHRAGM, AFT, ASSEMBLY (Pre Mod 5466) Spares for:	1	-	12/30
PR.3.1/2 STRIP, panel mounting, dzus	2	-	12/29
R EG7.80.1047 DIAPHRAGM, ASSEMBLY (Pre Mod 5466) Spares for:	1	-	12/28
PR.3.1/2 STRIP, panel mounting, dzus	1	-	12/27
R EG7.80.1097 MEMBER, SUPPORT, ASSEMBLY (Pre Mod 5466) Spares for:	1	-	12/33
PR.3.1/2 STRIP, panel mounting, dzus	2	-	12/32
EG7.80.1103 SPACER, tufnoi	1	BS2572 Type F3	12/31
EG7.80.1099 MEMBER, SUPPORT, ASSEMBLY Spares for:	1	-	12/40
PR3.1/2 STRIP, panel mounting, dzus	2	-	12/38
EG7.80.1105 SPACER, tufnol	1	BS2572 Type F3	12/37
R EG7.80.1169 PANEL, HINGED, SWITCH, ASSEMBLY (Pre Mod 5466) Spares for:	1	-	12/13
33H/2245038 ADHESIVE, bostik	QR	-	12/14
NAT. PLASTICS EXTRUSION, section	QR	-	12/15
X114 FASTENER, dzus	3	-	12/20
AJ4/30				

EQUIPMENT, AIRCRAFT

PRESSURE CABIN EQUIPMENT

Part Number	1 2 3 4 5 6	Description	No. Off	Matl. Spec.	Plate No.
DZUS No.4	 RING, retaining, dzus No.4	3	-	12/16
A25/1B	 Attaching parts for EG7.80.1169:--			
AGS2002/B/1	 Bolt, 4 BA hex. head	22	-	12/17
SP15/B	 Nut, stiff, 4 BA	22	-	12/23
	 Washer, 4 BA plain	22	-	12/22
SRIM3791 FIG.2	 PLATE, strengthening (SAS4745)	1	-	
EG7.81.1505	 PANEL, A.E. OPERATOR'S DIMMER, ASSEMBLY (Pre Mod 5176) (Pre SAS4745) Spares for:--	1	-	12/2
BERCO					
N229	 KNOB, rheostat	2	-	12/4
EG7.81.2249	 PANEL	1	L72	12/7
BERCO					
L50	 RHEOSTAT, 75 ohm	2	-	12/3
5CW/4405515	 SWITCH, dimmer, type R	2	-	12/1
	 Attaching parts for 5CW/4405515:--			
AGS2001/A/1	 Nut, stiff, 6 BA	6	-	12/11
A32/A20	 Screw, 6 BA round head	6	-	12/8
SP13/A	 Washer, 6 BA plain	6	-	12/10
	 Attaching parts for EG7.81.1505:--			
AS1248/1C	 Bolt, 2 BA mushroom head	6	-	12/5
SP15/C	 Washer, 2 BA plain	6	-	12/6
4TL1-3	 SWITCH, 4 pole (Mod 5406) (Pre Mod 5466)	1	-	28/27
6B/4343607	 TRAY, mounting, Mk.4B, gyro compass amplifier (Pre Mod 5466)	1	-	11/20
6B/4343641	 UNIT, amplifier, Mk.4B, gyro compass (Pre Mod 5466) Attaching parts for 6B/4343641:--	1	-	11/21
AS1246/1E	 Bolt, 1/4" BSF round head	4	-	11/33
SP13/E	 Washer, 1/4" BSF plain	4	-	11/34
TYPE C654	 UNIT, control, Type C654 (SRIM3932) (SAS4745) (Pre Mod 5466) Spares for:--	1	-	28/28
HSA25-41510X	 RESISTOR, 10 ohms (Mod 5407)	1	-	28/29
-	 EXTINGUISHER, FIRE, INSTALLATION (EG7.80.1421) Spares for:--	-	-	13/32
11B180	 BRACKET, fire extinguisher Attaching parts for 11B180:--	1	-	13/36
AS1244/5C	 Bolt, 2 BA c'sk raised head	4	-	13/43
AGS2001/C1	 Nut, stiff, 2 BA	4	-	13/53
SP15/C	 Washer, 2 BA plain	4	-	13/40
34H	 EXTINGUISHER, fire	1	-	13/26
AS2810/8/035	 TUBE, distance	4	L62	13/52
34H	 EXTINGUISHER, fire, BCF (SAS4745)	1	-	
EG7.80.1751	 FAN, PILOT'S, ASSEMBLY (Pre Mod 5250)	1	-	13/15
EG7.80.3773	 FAN, PILOT'S, ASSEMBLY (Mod 5250) Consisting of:--	1	-	13/15A
EG7.80.1755	 ARM	1	L65	13/17
EG7.80.1381	 BOLT, knurled shoulder	1	S96	13/8
EG7.80.1753	 BRACKET, mounting	1	L65	13/20
EG5.80.115	 BUSH, threaded	2	S96	13/14
EG7.80.1529	 CLAMP, half	1	S96	13/12
EG7.80.1530	 CLAMP, half	1	S96	13/13
HERMAN SMITH					
V93/1	 FAN, 28 volt (Pre Mod 5250)	1	-	13/1
HE-64700-15	 FAN, 28 volt (Mod 5250)	1	-	13/3
EG5.80.121	 PIN	1	S96	13/9
	 Attaching parts for EG7.80.1751 and EG7.80.3773:--			
A25/2C	 Bolt, 2 BA, hex head	4	-	13/22
AGS2001/C1	 Nut, stiff, 2 BA	4	-	13/23
SP15/C	 Washer, 2 BA, plain	4	-	13/21

EQUIPMENT, AIRCRAFT
PRESSURE CABIN EQUIPMENT

Part Number	Description	No. Off	Matl. Spec.	Plate No.
R -	EQUIPMENT (EWO) STARBOARD WALL (EG7.80.5009) (Mod 5466) Spares for:—	—	—	37/1
R EG7.80.5291 PANEL, assembly Spares for:—	1	—	37/2
R EG7.81.5485 BRACKET	1	EEJ48-18	37/3
R AGS2007/C/1 NUT, anchor, 2 BA	4	—	37/4
R EG7.80.5289 PANEL Attaching parts for EG7.80.5291:—	1	1.2 mm - L164	37/5
R A32/C16 Screw, 2 BA, round head	4	—	37/6
R SP126/D Washer	4	—	37/7
R - STRUCTURE, (EWO) starboard wall (EG7.80.5011) Spares for:—		—	37/8
R EG7.80.5295 ANGLE, assembly Spares for:—	1	—	37/9
R EG7.80.5293 ANGLE	1	1.2 mm - L164	37/10
R AGS2007/C/1 NUT, anchor, 2 BA	2	—	37/11
R EG7.80.5305 ANGLE	1	EEJ90-16	37/12
R EG7.80.5281 ANGLE	1	1.6 mm - L164	37/13
R EG7.80.5287 BRACKET	1	1.6 mm - L164	37/14
R EG7.80.5297 BRACKET, assembly Spares for:—	1	—	37/15
R EG7.80.5299 BRACKET	1	1.6 mm - L164	37/16
R AGS2007/C/1 NUT, anchor, 2 BA	2	—	37/17
R EG7.80.5267 BRACKET	1	1.6 mm - L164	37/18
R EG7.80.5269 BRACKET	1	1.6 mm - L164	37/19
R EG7.80.5259 BRACKET, top	1	1.6 mm - L164	37/20
R EG7.80.5261 BRACKET, bottom	1	1.6 mm - L164	37/21
R EG7.80.5307 CLEAT	1	1.6 mm - L164	37/22

EQUIPMENT, AIRCRAFT

PRESSURE CABIN EQUIPMENT

Part Number	Description						No. Off	Mtl. Spec.	Plate No.	
	1	2	3	4	5	6				
R	- INSTALLATION DETAILS FOR THE TEXTRONIX CONTROL UNIT JL/A2-11210 (EG7.82.5017) (Mod 5466) Spares for:-						-	-	38/1
R	EG7.82.5369 ANGLE						1	1.6 mm - L165	38/2
R	A25/1C BOLT, 2 BA						3	-	38/3
R	A25/2C BOLT, 2 BA						5	-	38/4
R	A25/5C BOLT, 2 BA						6	-	38/5
R	A25/6C BOLT, 2 BA						4	-	38/6
R	EG7.82.5367 CLAMP, hinged Spares for:-						1	-	38/7
R	EG7.82.5093 ANGLE, clamping						2	1.6 mm - L164	38/8
R	EG7.82.5095 HINGE (Make from AS1881-2-1-2)						2	-	38/9
R	EG7.82.5087 MEMBER, side						1	1.6 mm - L164	38/10
R	EG7.82.5088 MEMBER, side						1	1.6 mm - L164	38/11
R	AGS2007/C/2 NUT, anchor, 2 BA						2	-	38/12
R	EG7.82.5923 PACKER (LFS - 1/8" thick)						1	-	38/13
R	EG7.82.5097 SEAL, rubber						2	-	38/14
R	EG7.82.5099 SEAL, rubber						2	-	38/15
R	EG7.82.5089 MEMBER, back						1	1.6 mm - L164	38/16
R	AGS2001/C/1-66 NUT, stiff, 2 BA						2	-	38/17
R	AGS2007/C/2 NUT, anchor, 2 BA						6	-	38/18
R	EG7.82.5371 PACKER						1	2.65 mm - L164	38/19
R	EG7.82.5761 PACKER, taper						2	L164	38/20
R	EG7.82.5365 PLATE, retaining assembly Spares for:-						1	-	38/21
R	EG7.82.5103 ANGLE, reinforcing						1	1.6 mm - L164	38/22
R	EG7.82.5111 ANGLE, reinforcing						1	1.6 mm - L164	38/23
R	AGS2007/B/1 NUT, anchor, 4 BA						2	-	38/24
R	EG7.82.5101 PLATE, retaining						1	1.6 mm - L164	38/25
R	EG7.82.5373 SEAL, rubber, 1/16" thick						1	DTD5514 Grade B	38/26
R	EE52/1 SECTION, "Elastomer", extruded						QR	-	38/27
R	EG7.82.5141 SPACER						1	L65 BAR	38/28
R	EG7.82.5143 SPACER						1	L65 BAR	38/29
R	EG7.82.5145 SPACER						1	L65 BAR	38/30
R	EG7.82.5147 SPACER						1	L65 BAR	38/31
R	EG7.82.5375 STAY, fixed, side						1	EEDX440	38/32
R	EG7.82.5377 STAY, adjustable, side						1	EEDX440	38/33
R	EG7.82.5379 STAY, adjustable, side						1	EEDX440	38/34
R	EG7.82.5381 STAY, fixed, side						1	EEDX440	38/35
R	- STRUCTURE FOR TEXTRONIX JL/A2-11210 CONTROL UNIT MOUNTING PLATFORM (EG7.82.5015) (Mod 5466) Spares for:-						-	-	39/1
R	EG7.82.5423 ANGLE						1	1.6 mm - L165	39/2
R	EG7.82.5433 ANGLE						1	1.2 mm - L165	39/3
R	EG7.82.5441 ANGLE						1	1.2 mm - L165	39/4
R	EG7.82.5427 ANGLE						1	1.2 mm - L165	39/5
R	EG7.82.5457 ANGLE						1	1.2 mm - L165	39/6

EQUIPMENT, AIRCRAFT

PRESSURE CABIN EQUIPMENT

Part Number	1 2 3 4 5 6	Description	No. Off	Matl. Spec.	Plate No.
R	EG7.82.5447 ANGLE	1	1.2 mm - L165	39/7
R	EG7.82.5449 ANGLE	1	1.2 mm - L165	39/8
R	EG7.82.5451 ANGLE	1	1.2 mm - L165	39/9
R	EG7.82.5445 ANGLE	1	1.2 mm - L165	39/10
R	EG7.82.5425 ANGLE	1	1.2 mm - L165	39/11
R	EG7.82.5443 ANGLE	1	1.2 mm - L165	39/12
R	EG7.82.5431 ANGLE	1	1.2 mm - L165	39/13
R	EG7.82.5461 DOUBLER, skin	1	1.2 mm - L165	39/14
R	EG7.82.5463 DOUBLER, skin	1	1.2 mm - L165	39/15
R	EG7.82.5435 DOUBLER, flange	1	1.2 mm - L165	39/16
R	EG7.82.5437 DOUBLER, flange	1	1.2 mm - L165	39/17
R	EG7.82.5421 DOUBLER, plate	1	1.6 mm - L165	39/18
R	EG7.82.5455 DIAPHRAGM	1	1.2 mm - L165	39/19
R	EG7.82.5429 DIAPHRAGM	1	1.2 mm - L165	39/20
R	EG7.82.5439 GUSSET	1	1.2 mm - L165	39/21
R	AGS2007/C/1 NUT, anchor, 2 BA	12	-	39/22
R	AGS2018/C/1 NUT, anchor, 2 BA	2	-	39/23
R	EG7.82.5067 PACKER, 0.32" x 0.60"	4	L65	39/24
R	EG7.82.5699 PACKING, 22 SWG	1	L164	39/25
R	EG7.82.5453 PACKING	1	1.2 mm - L165	39/26
R	EG7.82.5419 PLATE, mounting	1	2 mm - L165	39/27
R	SP47/C WASHER, spring	10	-	38/36
R	SP126/D WASHER, plain	14	-	38/37
R	AGS2018/C/1 NUT, anchor, 2 BA	1	-	42/25
R	AGS2007/C/1 NUT, anchor, 2 BA	4	-	42/24
R	- PANEL, CONTROL, STARBOARD WALL INSTALLATION (EG7.80.5033) (Mod 5466) Spares for:-	-	-	40/1
R	A25/1B BOLT, 4 BA	22	-	40/2
R	AGS2002/B/1 NUT, stiff, 4 BA	22	-	40/3
R	EG7.80.5035 PANEL, control, assembly Spares for:-	1	-	40/4
R	EG7.80.1123 CHANNEL, support, forward	1	-	40/5
R	EG7.80.1117 CLEAT	1	-	40/6
R	EG7.80.1119 CLEAT	1	-	40/7
R	EG7.80.1091 CLEAT	1	-	40/8
R	EG7.80.1083 CLEAT	1	-	40/9
R	EG7.80.5221 CLEAT	1	-	40/10
R	EG7.80.1093 CLEAT	1	-	40/11

EQUIPMENT, AIRCRAFT
PRESSURE CABIN EQUIPMENT

Part Number	1 2 3 4 5 6	Description	No. Off	Mati. Spec.	Plate No.
R	EG7.80.5225 DIAPHRAGM, bottom, assembly Spares for:—	1	—	40/12
R	EG7.80.5229 CHANNEL	1	—	40/13
R	EG7.80.5227 DIAPHRAGM	1	—	40/14
R	EG7.80.5231 PLATE, reinforcing	1	1.2 mm - L164	40/15
R	EG7.80.5211 DIAPHRAGM, forward, assembly Spares for:—	1	—	40/16
R	EG7.80.5329 ANGLE	1	1.2 mm - L165	40/17
R	EG7.80.5213 DIAPHRAGM	1	—	40/18
R	AGS2008/C/1 NUT, anchor, 2 BA	2	—	40/19
R	AGS2007/B/1 NUT, anchor, 4 BA	2	—	40/20
R	EG7.80.5331 PACKER	1	1.2 mm - L164	40/21
R	EG7.80.5219 PLATE, strengthening	1	2 mm - L164	40/22
	or				
R	SRIM3791 FIG2 PLATE, strengthening			
R	PR3-1-2 STRIP, receptacle	1	—	40/23
R	EG7.80.5215 DIAPHRAGM, aft assembly Spares for:—	1	—	40/24
R	EG7.80.5217 DIAPHRAGM	1	1.2 mm - L164	40/25
R	AGS2007/B/1 NUT, anchor, 4 BA	2	—	40/26
R	PR3-1-2 STRIP, receptacle	1	—	40/27
R	EG7.80.1473 LABEL	2	—	40/28
R	EG7.80.1475 LABEL	1	—	40/29
R	EG7.80.1477 LABEL	1	—	40/30
R	EG7.80.1481 LABEL	1	—	40/31
R	EG7.80.1483 LABEL	1	—	40/32
R	EG7.80.5223 MEMBER, centre	1	—	40/33
R	EG7.80.1099 MEMBER, support	1	—	40/34
R	EG7.80.889 PANEL, control, assembly (Mod 5466) Spares for:—	1	—	41/1
R	EG7.80.1151 ANGLE	1	—	41/2
R	EG7.80.1123 CHANNEL, support, forward	1	—	
R	EG7.80.1117 CLEAT	1	—	
R	EG7.80.1119 CLEAT	2	—	
R	EG7.80.1091 CLEAT	2	—	41/3
R	EG7.80.1083 CLEAT	2	—	41/4
R	EG7.80.1093 CLEAT	1	—	41/5
R	EG7.80.303 DIAPHRAGM, top, assembly	1	—	41/6
R	EG7.80.1473 LABEL	2	—	
R	EG7.80.1475 LABEL	1	—	41/7
R	EG7.80.1477 LABEL	1	—	41/8
R	EG7.80.1481 LABEL	1	—	
R	EG7.80.1483 LABEL	1	—	

EQUIPMENT, AIRCRAFT
PRESSURE CABIN EQUIPMENT

Part Number	Description	No. Off	Matl. Spec.	Plate No.
EG7.80.5201	PANEL, switch assy (Mod 5466) Spares for:—	1	—	41/9
EG7.80.5199	LABEL, switch "AFT"	1	1.2 mm - L164	41/10
EG7.80.5339	LABEL, switch "FWD"	1	1.2 mm - L164	41/11
EG7.80.5241	PANEL, blanking assy (Mod 5466) (Pre Mod 5541)	1	—	40/35
EG7.80.5387	PANEL, blanking assy (Mod 5541) Spares for:—	1	—	
PC3.1.2	CLIP	6	—	40/36
EG7.80.5385	LABEL, pack, bay O/H Warning (Mod 5541)	1	—	40/41
EG7.80.5243	PANEL, blanking (Pre Mod 5541)	1	1.2 mm - L164	40/37
EG7.80.5389	PANEL, blanking (Mod 5541)	1	1.2 mm - L164	
PS3-1-2	SPRING	6	—	40/38
PF3-1-2-37X545	STUD	6	—	40/39
SP15/B	WASHER	22	—	40/40
EG7.80.5285	PLATE, mounting assembly (Mod 5466) Spares for:—	—	—	42/1
EG7.80.5303	ANGLE	2	1.6 mm - L164	42/2
EG7.80.5325	PLATE, bottom	1	1.6 mm - L164	42/3
EG7.80.5283	PLATE, mounting	1	1.2 mm - L164	42/4
EG7.80.5151	PACKER	1	1.6 mm - L164	42/5
EG7.80.1955	PLATE, attachment Attaching parts:—	4	—	42/6
AS1242/2C	Bolt, 2BA	2	—	42/7
AGS2001/C/1-66	Nut, stiff, 2BA	2	—	42/8
EG7.80.5109	PANEL, mounting	1	1.6 mm - L164	42/9
EG7.80.5271	PLATE, assembly Spares for:—	1	—	42/10
AGS1007/C/1	NUT, anchor, 2BA	4	—	42/11
EG7.80.707	PACKER	4	—	42/12
EG7.80.5273	PLATE	1	1.6 mm - L164	42/13
EG7.80.5275	PLATE, sub-junction box assembly Spares for:—	1	—	42/14
AS28007/D	NUT, anchor	4	—	42/15
EG7.80.5277	PLATE Attaching parts for EG7.80.5275:—	1	1.6 mm - L164	42/16
AS1248/1C	Bolt, 2BA	4	—	42/17
EG7.80.5263	PLATE, assembly Spares for:—	1	—	42/18
AGS2007/C/1	NUT, anchor, 2BA	4	—	42/19
AGS2007/B/1	NUT, anchor, 4BA	6	—	42/20
EG7.80.5265	PLATE	1	1.6 mm - L164	42/21
EG7.80.5279	PLATE, plug break Attaching parts:—	1	1.6 mm - L164	42/22
AS1248/1C	Bolt, 2BA	4	—	42/23

EQUIPMENT, AIRCRAFT
PRESSURE CABIN EQUIPMENT

Part Number	Description	No. Off	Mati. Spec.	Plate No.
EA3.80.1989	. HANDLE, EMERGENCY HYDRAULIC PUMP, GROUP Spares for:—	1	—	13/25
FLEET RUBBERS B.1001 or AUTOMOTIVE PRODUCTS UMC529 EG7.80.1383	. . HAND-GRIP . . HOLDER, CARD, INSTALLATION Spares for:—	1	—	13/24
EG7.80.1393	. . ANGLE	1	L72	13/47
EG7.80.1395	. . ANGLE	1	L72	13/29
AS1248/1C	. . BOLT, 2 BA mushroom head	4	—	13/46
EG7.80.1397	. . BRACKET, SUPPORT, ASSEMBLY Spares for:—	1	L72	13/37
EG7.80.1391	. . . PACKING	1	L72	13/50
EG7.80.1401	. . BRACKET, lamp	1	L72	13/35
EG7.80.1402	. . BRACKET, lamp	1	L72	13/27
EG7.80.1403	. . HINGE (Make from Ref.28N/9486470)	1	—	13/49
EG7.80.1385	. . HOLDER, card	3	L72	13/34
5L/9951271	. . LAMP, filament, 28 V, 3.5W	2	—	13/30
5CX/1041518	. . LAMP-HOLDER, type 'D', red	2	—	13/31
AGS2001/C/1	. . NUT, stiff, 2 BA	4	—	13/38
EEAS41/3	. . PIN, special sealing	2	L40	13/33
EEAS41/4	. . PIN, special sealing	2	L40	13/48
EG7.80.1387	. . PLATE, HINGED, ASSEMBLY Spares for:—	1	L72	13/41
EG7.80.1391	. . . PACKING	1	L72	13/45
EA3.80.761	. . SPRING Attaching parts for EA3.80.761:—	1	DTD215	13/51
A25/2A	. . Bolt, 6 BA hex. head	2	—	13/54
A27/AT	. . Nut, 6 BA thin	2	—	13/42
SP47/A	. . Washer, 6 BA spring	2	—	13/44
SP15/C	. . WASHER, 2 BA plain	4	—	13/39
—	. MOUNTING, INSPECTION LAMP STOWAGE BAG (EG7.80.1429) (SAS4745) Spares for:—	—	—	—
EG7.80.1431	. . PLATE, mounting Attaching parts for EG7.80.1431:—	1	L72 x 16 SWG	—
AS1248/2C	. . Bolt, 2 BA mushroom head	4	—	—
SP15/C	. . Washer, 2 BA	4	—	—
SP16/C	. . Washer, 2 BA	4	—	—
EA3.80.901	. MOUNTING, FIRE, AXES, ASSEMBLY Spares for:—	1	—	13/16
27N/4670573	. . AXE, fire	1	—	13/6
AS2294/B	. . CLIP, spring	1	—	13/11
EA3.80.1829	. . PLATE, doubling	1	L72	13/7

EQUIPMENT, AIRCRAFT

PRESSURE CABIN EQUIPMENT

Part Number	Description 1 2 3 4 5 6	No. Off	Matl. Spec.	Plate No.

EQUIPMENT, AIRCRAFT
PRESSURE CABIN EQUIPMENT

Part Number	Description	No. Off	Matl. Spec.	Plate No.	1 2 3 4 5 6					
EA3.80.1831	. . STRAP, ASSEMBLY Spares for:									
NEWAY TYPE 7/7	. . . FASTENER	1	-	13/5						
-	. . PANELS, PILOT'S INSTRUMENT, ASSEMBLY (EG7.80.43) Spares for:	-	-	14/1						
EA3.80.5257	. . BRACKET, shock absorber, assembly Attaching parts for EA3.80.5257:	2	-	14/49						
A25/4C	. . Bolt, 2BA hex. head	4	-	14/54						
SP15C	. . Washer, 2BA plain	4	-	14/55						
EA3.80.5529	. . BRACKET, shock absorber, assembly Attaching parts for EA3.80.5529:	2	-	14/56						
A25/4C	. . Bolts, 2BA hex. head	4	-	14/54						
SP15/C	. . Washer, 2BA plain	4	-	14/55						
EA3.80.5943	. . CORD, restraining, assembly Attaching parts for EA3.80.5943:	1	-	14/9						
A25/1B	. . Bolt, 4BA hex. head	2	-	14/2						
AGS2001/B/1	. . Nut, stiff, 4BA	2	-	14/5						
SP13/B	. . Washer, 4BA plain	2	-	14/4						
EA3.80.5533	. . FITTING, panel support Attaching parts for EA3.80.5533:	1	S1	14/53						
A25/2C	. . Bolt, 2BA hex. head	4	-	14/57						
AGS2001/C/1	. . Nut, stiff, 2BA	4	-	14/58						
EA1.81.401	. . LEAD, bonding	2	-	14/53						
150 P8	. . MOUNTING, anti-vibration (Mod.4865)	6	-	14/11						
100 P4	. . MOUNTING, anti-vibration	6	-	17/8						
150 P10	. . MOUNTING, anti-vibration (Mod.4865)	2	-							
EG7.80.10017	. . PANEL, FLYING, ASSEMBLY (Mod.4865 Part B) Spares for:	1	-	14/3						
AS10512L-1	. . . ADAPTOR	1	-							
6A/6201976	. . . ALTIMETER, Mk.29B Attaching parts for 6A/6201976:	1	-	14/19						
A205/B28	. . . Screw, 6 UNC pan head (Pre SAS4745)	2	-	14/20						
or										
A14/B28	. . . Screw, 4BA round head (Pre SAS4745)	2	-	14/21						
A205/B36	. . . Screw, 6 UNC pan head (Pre SAS4745)	2	-	14/22						
or										
A44/B36	. . . Screw, 4BA round head (Pre SAS4745)	2	-	14/23						
or										
A219/B36	. . . Screw (SAS4745)	4	-							
703-1-00249	. . . BLOCK, terminal, 20-way (SAS4745) Attaching parts for 703-1-00249:	1	-							
AGS2002/B1	. . . Nut, stiff, 4BA	2	-							
Z28426	. . . Pillar, fixing	2	-							
WB/UN/1146/D/5W	. . . BLOCK, terminal, 10-way (SAS4745) Attaching parts for WB/UN/1146/D/5W:	1	-							
EEAS552-9	. . . Bobbin	2	-							
AS1246/11B	. . . Bolt, 4BA round head	2	-							
AGS2001/B/1	. . . Nut, stiff, 4BA	2	-							
SP13/B	. . . Washer, 4BA	2	-							
EG7.81.3033	. . . CLAMP, for dimmer switch Attaching parts for EG7.81.3033:	1	L72	14/12						
AGS2001/A/4	. . . Nut, stiff, 6BA	2	-	14/8						
A44/A10	. . . Screw, 6BA round head	2	-	14/6						
SP15/A	. . . Washer, 6BA plain	2	-	14/7						

EQUIPMENT, AIRCRAFT
PRESSURE CABIN EQUIPMENT

Part Number	Description						No. Off	Matl. Spec.	Plate No.
	1	2	3	4	5	6			
KING A/C C12958	1	-	14/44
703-1-00266	1	-	
ZA2401-1	1	-	14/45
6A/4337742	1	-	14/13
AGS2001/C/4	4	-	14/14
A44/C44	4	-	14/15
SP13/C	4	-	14/16
SMITH 420/FL	1	-	14/40
A205/B24 or A44/B24	4	-	14/41
SMITH 431/FL	1	-	14/34
A205/B24 or A44/B24	4	-	14/35
SMITH 313/FL	1	-	14/27
A205/B24 or A44/B24	4	-	14/28
SMITH 218/FL	1	-	14/46
A205/B24 or A44/B24	4	-	14/47
R ID95.ISS 2 or R Mk.2A	1	-	14/30
A205/B20 or A44/B20	4	-	14/32
R KRA1001K	1	-	14/24
A205/B28 or A44/B28	4	-	14/25
10AF/7106543	1	-	14/37
A205/B28 or A44/B28	4	-	14/38
STAN'D T'PHONE RL/7003/184B	1	-	14/50
A205/B24	4	-	14/51
SMITH PW/21/RNA/CP/1	1	-	14/43
EG7.81.3653	1	-	
5CZ/4340430	2	-	15/8
5CZ/1031243	1	-	15/19

EQUIPMENT, AIRCRAFT
PRESSURE CABIN EQUIPMENT

Part Number	1 2 3 4 5 6	Description	No. Off	Matl. Spec.	Plate No.
R	5L/9959119 LAMP, filament, 6V, 10 amp	3	—	15/31
R	5L/9959178 LAMP, filament, 28V, .04 amp	5	—	15/11
R	80/10/0855 RED LAMP, miniature pillar (Pre SAS4745)	2	—	15/26
R	80/10/0678 RED LAMP, miniature pillar (SAS4745)	4	—	
R	80/10/1192 LAMP, miniature pillar (Pre SAS4745)	1	—	15/10
	PAGE				
	C500/A/7 LAMP, warning, "press to test", red	1	—	15/28
R	C500/E/7 LAMP, warning, "press to test", blue (Pre SAS4745)	1	—	15/33
R	C500/E/5 LAMP, warning, "press to test", blue (SAS4745)	1	—	
	C500/D/7 LAMP, warning, "press to test", white	1	—	15/32
R	C500/C/7 LAMP, warning, "press to test", amber (Pre SAS4745)	1	—	15/30
R	C500/C/6 LAMP, warning, "press to test", amber (SAS4745)	1	—	
R	6A/4670625 MACHMETER, Mk.2	1	—	15/20
	A205/B28 Attaching parts for 6A/4670625:			
	or Screw, 6 UNC pan head	4	—	15/16
	A44/B28 Screw, 4BA round head	4	—	15/17
R	AGS2037/B Washer, 4BA shakeproof	4	—	15/7
	EG7.80.2037 PANEL, flying (engraved) (Mod.4865)	1	L72	15/29
	EEAS551/10 PLATE, ident	1	L73	15/39
R	AS10512L-1 PLATE, adaptor (SAS4745)	1	—	
	EG7.80.2067 PLATE, adaptor (Mod.4865 Part B)	1	—	15/40
	A45/C20 Attachments: Screw, c'sk head	4	—	15/41
R	EG7.81.3657 PLATE, switch (SAS4745)	1	—	
R	A31/B16 Attaching parts for EG7.81.3657: Screw, 4BA cheese head	2	—	
R	SP10/B Washer, 4BA	2	—	
	KOLLSMAN				
	L843-80-00-100 PLATE, mooring (Mod.4865)	1	—	
R	EEAS200 RING, locking (SAS4745)	1	—	
	EEAS270 SCREW, 5BA	1	Brass	15/37
R	AS10512M-1 SHROUD, terminal (SAS4745)	2	—	
	EEAS563 SLEEVE, special	1	M.A.M. Rubber	15/35
	EEAS566 SLEEVE, special	1	M.A.M. Rubber	15/38
	N.S.F.				
	8834/B113 SWITCH, tumbler (Alt.R60/62)	1	—	15/36
R	8810/B104 SWITCH, tumbler (Pre SAS4745)	1	—	
R	AS10512A-2 SWITCH, tumbler (SAS4745)	1	—	15/34
	ROTAX				
R	D5406 SWITCH (Pre SAS4745)	1	—	15/21
	A31/B10 Attaching parts for D5406: Screw, 4BA cheese head	2	—	15/22
	C1206 Washer, 4BA spring	2	—	15/23
R	AS10512B-3 SWITCH, SP (SAS4745)	1	—	
R	5CW/4405513 SWITCH, dimmer, type 'R' Attaching parts for 5CW/4405513:	1	—	15/3
	AGS2001/A/4 Nut, stiff, 6BA	3	—	15/4
	A44/A20 Screw, 6BA round head	3	—	15/1
	SP15/A Washer, 6BA plain	3	—	15/2
R	5CW/1055544 TRANSFER, "on"	2	—	15/9
R	5CW/4405593 TRANSFER, "oxy"	1	—	15/18
	AS2809/5/070 TUBE, distance	4	L62	15/27

A.P.101B-0417-3A

EQUIPMENT, AIRCRAFT
PRESSURE CABIN EQUIPMENT

Part Number	Description 1 2 3 4 5 6	No. Off	Mati. Spec.	Plate No.
AS2810/4/200	. . . TUBE, distance	2	L62	15/25
6B/4343640	. . . UNIT, gyro compass, type 'B'	1	-	15/12
or 6B/1992	. . . UNIT, gyro compass, type 'A'	1	-	15/13
	Attaching parts for 6B/4343640 or 6B/1992:-			
A205/C24	. . . Screw, 8 UNC pan head	4	-	15/14
or A44/C24	. . . Screw, 2BA round head	4	-	15/15
6A/4338320	. . . UNIT, gyro, artificial horizon, Mk.3D	1	-	15/6
	Attaching parts for 6A/6338320:-			
A205/C20	. . . Screw, 8 UNC pan head	4	-	15/5
EEAS232	. . . WASHER, retaining	1	L72	15/24
-	. . . WIRING, FLYING PANEL (EG7.81.3895) (Mod 4865)	-	-	
EG7.80.31	. . . PANEL, FIXED, STARBOARD, ASSEMBLY (Pre Mod 5541)	1	-	16/4
EG7.80.5379	. . . PANEL, FIXED, STARBOARD, ASSEMBLY (Mod 5541)	1	-	
	Spares for:-			
6A/1983016	. . . ADAPTOR, plate (Pre SAS4745)	1	-	16/53
6A/1037854	. . . ALTIMETER, cabin, Mk.21	1	-	16/54
CZ50207	. . . BLOCK, terminal, 5-way (SAS4745)	1	-	
WB/UN/1146/S/2/W	. . . BLOCK, terminal, 2-way (SAS4745)	1	-	
EEAS552/2	. . . BOBBIN, distance	4	L65	16/3
CM0331 FIG.1 and 2	. . . BRACKET, indicator mounting (SAS4745)	1	-	
SA21284	. . . CLAMP, securing altimeter	1	-	16/55
AS3180/4B	. . . CLIP, 'P', rubber covered (SAS4745)	6	-	
AS3180/9C	. . . CLIP, 'P', rubber covered (SAS4745)	1	-	
AS3180/10C	. . . CLIP, 'P', rubber covered (SAS4745)	1	-	
AS3180/6G	. . . CLIP, 'P', rubber covered (SAS4745)	1	-	
WB/NY/1110/B2	. . . COVER, terminal block (SAS4745)	1	-	
5L9959118	. . . FILAMENT, 28V (Pre Mod 5541)	3	-	
5L9959118	. . . FILAMENT, 28V (Mod 5541)	4	-	16/31
EA4.81.1687	. . . FLAP, spring, assembly	1	-	16/26
5K/1200714	. . . GROMMET (CM0293) (SAS4745)	1	-	
5CW/4408141	. . . GROMMET (SAS4745)	1	-	
SMITH 505/FL	. . . INDICATOR, position, cabin air	1	-	16/38
	Attaching parts for 505/FL:-			
A44/B24	. . . Screw, 4BA, round head	4	-	16/36
or A205/B24	. . . Screw, 6 UNC pan head	4	-	16/37
AGS2037/B	. . . Washer, 4BA, shakeproof	4	-	16/33
5CZ/1031243	. . . INDICATOR, electro magnetic, oxy warning	2	-	16/25
WTD143473	. . . INDICATOR, electrical, type 9547, tacan	1	-	16/50
	Attaching parts for WTD143473:-			
A44/B24	. . . Screw, 4BA, round head	4	-	16/48
A205/B24	. . . Screw, 6 UNC, pan head	4	-	16/49

EQUIPMENT, AIRCRAFT
PRESSURE CABIN EQUIPMENT

Part Number	Description	No. Off	Matl. Spec.	Plate No.
95409/4	. . . LABEL (Mod 4926)	1	—	
R EG7.80.5385	. . . LABEL, pack bay o/h warning (Mod 5541)	1	—	16/56
PAGE ENG.				
R C180.8A	. . . LAMP (Mod 5541)	1	—	16/57
5L/9951284	. . . LAMP, filament, 28 V, 3.5W	3	—	16/13
THORN				
80/10/0855	. . . LAMP, pillar	2	—	16/41
THORN				
80/10/0678	. . . LAMP, pillar	1	—	16/30
THORN				
80/10/1192	. . . LAMP, bridge, type 'C' (CM0293) Attaching parts for 80/10/1192:—	1	—	
A205/B28	. . . Screw, 6-32 UNC, pan head	2	—	
or				
A44/B28	. . . Screw, 4BA, round head			
R EG7.80.33	. . . PANEL, fixed, starboard, sub-assembly (Pre Mod 5541)	1	—	16/47
R EG7.80.5381	. . . PANEL, fixed, starboard, sub-assembly (Mod 5541) Spares for:—	1	—	
EB6.80.695	. . . DOOR, assembly	1	—	16/28
R EG7.80.35	. . . PANEL, blank (Pre Mod 5541)	1	—	
R EG7.80.5383	. . . PANEL, blank (Mod 5541)	1	—	
PR31/2	. . . RECEPTACLE, dzus	2	—	16/43
WB/1114/28	. . . PILLAR, fixing (SAS4745)	2	—	
EEAS550/2	. . . PLATE, ident	1	L73	16/10
EG7.80.37	. . . PLATE, mounting (Pre SAS4745) Attaching parts for EG7.80.37:—	1	L72	16/45
METALASTIK				
13.154.1	. . . Instrumounting (MN60)	1	—	16/46
AGS2001/B/1	. . . Nut, stiff, 4BA	1	—	16/52
SP15/B	. . . Washer, 4BA	1	—	16/51

EQUIPMENT, AIRCRAFT
PRESSURE CABIN EQUIPMENT

Part Number	Description 1 2 3 4 5 6	No. Off	Mati. Spec.	Plate No.

EQUIPMENT, AIRCRAFT
PRESSURE CABIN EQUIPMENT

Part Number	1 2 3 4 5 6	Description	No. Off	Mtrl. Spec.	Plate No.
EG7.80.39	. . .	PLATE, mounting, tacan indicator (Pre SAS4745) Attaching parts for EG7.80.39:	1	L72	16/39
METALASTIK 13.154.1	. . .	Instrumounting (MN60)	2	—	16/40
AGS2001/B/1	. . .	Nut, stiff, 4BA	2	—	16/42
SP15/B	. . .	Washer, 4BA plain	2	—	16/44
508/1/07023/220	. . .	PLUG, free, Mk.7 (SAS4745)	1	—	
AS10512M-1	. . .	SHROUD, terminal (SAS4745)	6	—	
AS10512M-2	. . .	SHROUD, terminal (SAS4745)	2	—	
A257	. . .	SLEEVE, cable	1	—	16/58
EEAS563	. . .	SLEEVE, special	7	M.A.M. Grade CH	16/6
EEAS566	. . .	SLEEVE, special	1	M.A.M. Grade CH	16/7
508/1/07009/220	. . .	SOCKET, free, Mk.7 (SAS4745)	1	—	
508/1/07016/220	. . .	SOCKET, free, Mk.7 (SAS4745)	1	—	
5CW/4405748	. . .	SWITCH, push, fire warning, No.1 and No.2 engine and back bay Attaching parts for 5CW/4405748:	3	—	16/14
A44/B18	. . .	Screw, 4BA round head	4	—	16/9
AGS2037/B	. . .	Washer, 4BA shakeproof	4	—	16/16
C5162Y Mk.3	. . .	SWITCH, push, type B, engine and pack bay test fire warning Attaching parts for C5162Y Mk.3:	2	—	16/22
A53/Z	. . .	Nut, 8BA plain	2	—	16/18
A43/Z12	. . .	Screw, 8BA cheese head	2	—	16/8
AGS2037/AA	. . .	Washer, 8BA shakeproof	2	—	16/12
8810/B101	. . .	SWITCH, tumbler (Pre SAS4745)	4	—	16/27
AS10512A-2	. . .	SWITCH, SP (SAS4745)	3	—	
AS10512C-4	. . .	SWITCH, DP (SAS4745)	1	—	
8812/B101	. . .	SWITCH, tumbler (Pre SAS4745)	1	—	16/32
AS10512A-1	. . .	SWITCH, SP (SAS4745)	1	—	
8804/B102	. . .	SWITCH, tumbler (Pre SAS4745)	2	—	16/23
AS10512A-6	. . .	SWITCH, SP (SAS4745)	2	—	
AS10512A6	. . .	SWITCH, SP (Mod.5501)	1	—	16/23A
AS10512A5	. . .	SWITCH, SP (Mod.5501)	1	—	16/23B
8824/B101	. . .	SWITCH, tumbler (Pre SAS4745)	1	—	16/26
AS10512C-1	. . .	SWITCH, DP (SAS4745)	1	—	
HC294D	. . .	TAG, RT (SAS4745)	24	—	
HC294D	. . .	TAG, RT (Mod.5501)	26	—	
HC296D	. . .	TAG, RT (SAS4745)	11	—	
HC490	. . .	TAG, QR (SAS4745)	7	—	
5CW/4405593	. . .	TRANSFER, 'oxy'	2	—	16/24
AS2809/4/050	. . .	TUBE, distance, for lamp pillar	1	L62	16/29
5Q/4347793	. . .	VOLTMETER, type 'A' Attaching parts for 5Q/4347793:	1	—	16/19
AGS2001/A/4	. . .	Nut, stiff, 6BA	4	—	16/20
A45/A16	. . .	Screw, 6BA csk head	4	—	16/17
EEAS238/1A	. . .	WASHER, 'D'	6	L72	16/5
EEAS238/2A	. . .	WASHER, 'D'	1	L72	16/1
EEAS237/7A	. . .	WASHER, 'D'	2	L72	16/2
5CW/11817	. . .	WINDOW, F.1, engine fire	1	—	16/15
5CW/11818	. . .	WINDOW, F.2, engine fire	1	—	16/35
5CW/11819	. . .	WINDOW, F.3, pack bay fire Attaching parts for EG7.80.31:	1	—	16/34
A25/2C	. . .	Bolt, 2BA hex head	8	—	16/11
SP15/C	. . .	Washer, 2BA plain	8	—	16/21
EG7.80.557	. . .	PANEL, ENGINE INSTRUMENT, ASSEMBLY Spares for:	1	—	17/9
SMITHS I.A.C.R.	. . .	GAUGE, oil pressure Attaching parts for 8A/2714:	2	—	17/17
A44/B24	. . .	Screw, 4BA round head	8	—	17/18

EQUIPMENT, AIRCRAFT
PRESSURE CABIN EQUIPMENT

Part Number	Description	No. Off	Matl. Spec.	Plate No.
SMITHS AG26	. . . GAUGE, fuel contents Attaching parts for AG26:	1	-	17/16
A44/B24	. . . Screw, 4BA round head	4	-	17/22
SMITHS AG27	. . . GAUGE, fuel contents Attaching parts for AG27:	1	-	17/21
A44/B24	. . . Screw, 4BA round head	4	-	17/25
SMITHS AG144	. . . GAUGE, fuel contents Attaching parts for AG144:	1	-	17/34
A44/B24	. . . Screw, 4BA round head	4	-	17/35
5L/9951110	. . . LAMP, filament, 6V, .24W	2	-	17/23
5L/9951273	. . . LAMP, filament, 24V, 3.5W	2	-	17/10
5CX/1085815	. . . LAMP, warning, type 'B', H.2702, red	1	-	17/24
EG7.80.1033	. . . PLATE, engraved, N.52 Attaching parts for EG7.80.1033:	1	L72	17/26
AGS2001/A/1	. . . Nut, stiff, 6BA	4	-	17/28
A32/A8	. . . Screw, 6BA round head	4	-	17/29
EG7.80.1035	. . . PLATE, engraved, N.51 Attaching parts for EG7.80.1035:	1	L72	17/27
AGS2001/A/1	. . . Nut, stiff, 6BA	4	-	17/30
A32/A8	. . . Screw, 6BA round head	4	-	17/31
EG7.80.1615	. . . REFLECTOR, fuel tank gauge	1	L72	17/32
XD778	. . . SWITCH, tumbler Attaching parts for XD778:-	6	-	17/33
A44/B10	. . . Screw, 4BA round head	12	-	17/36
AGS2037/B	. . . Washer, 4BA shakeproof	12	-	17/37
6A/2801	. . . TACHOMETER, engine speed, Mk.10A Attaching parts for 6A/2801:	2	-	17/11
A44/B24	. . . Screw, 4BA round head	8	-	17/13
5CW/1055544	. . . TRANSFER, "ON"	6	-	17/19
5CW/1055545	. . . TRANSFER, "OFF"	6	-	17/20
6A/1674	. . . THERMOMETER, exhaust gas, type 'B' Attaching parts for 6A/1674:	1	-	17/12
AGS2001/C/4	. . . Nut, stiff, 2BA	4	-	17/14
A44/C18	. . . Screw, 2BA round head	4	-	17/15
EB7.80.497	. . . SNUB, panel	4	S/H.30	14/10
†	. . . STRUCTURE, PANEL, INSTALLATION (EG7.80.41) Spares for:	-	-	17/2
EG7.80.2043	. . . BRACKET, plug break stowage (Mod.4865)	1	-	17/38
EG7.80.10013	. . . CHANNEL, bottom, assembly (Mod.4865) (Make from EA3.80.333, 26FZ/7190)	1	-	17/39
EA3.80.2833	. . . PAD, shock	2	Linatex Rubber	17/4
EA3.80.2835	. . . PAD, shock	1	Linatex Rubber	17/5
EA3.90.1793	. . . STOP, shock	2	Sorbo Rubber	17/6

R
R

EQUIPMENT, AIRCRAFT
PRESSURE CABIN EQUIPMENT

Part Number	Description	No. Off	Mtl. Spec.	Plate No.
EA1.81.429 TERMINAL, earth	1	—	17/1
EA3.80.1789 WASHER, special 1" o/d, shock absorber	12	DTD610	17/7
EEAS28/51FR WASHER, special	10	L72	14/18
EEAS28/51JR WASHER, special	2	L72	14/17
— PANELS, COAMING, ASSEMBLY (EG7.80.399) (Pre Mod 5466)	—	—	18/1
— PANELS, COAMING, ASSEMBLY (EG7.80.5013) (Mod 5466) Spares for:—	—	—	18/1A
AS1248/4C BOLT, 2 BA mushroom head, panel locating	5	—	18/10
AS2923/4C BOLT, 2 BA mushroom head, panel locating	5	—	18/9
EG7.80.831 PANEL, closing, assembly	1	L72	18/15
EG7.80.1139 PANEL, starboard coaming, assembly (Pre Mod 5466)	1	—	18/7
EG7.80.5071 PANEL, starboard coaming, assembly (Mod 5466) Spares for:—	1	—	18/7A
EG7.80.1665 ANGLE, attachment Attaching Parts for EG7.80.1665:—	1	L72	18/40
AGS2001B1 Nut, stiff, 4 BA	2	—	18/37
A32B14 Screw, 4 BA round head	2	—	18/41
SP15B Washer, 4 BA plain	2	—	18/25
EG7.80.1963 ANGLE, attachment Attaching Parts for EG7.80.1963:—	1	L72	18/36
AGS2001B1 Nut, stiff, 4 BA	2	—	18/44
A32B14 Screw, 4 BA round head	2	—	18/42
SP15B Washer, 4 BA plain	2	—	18/43
TC4003CRN CAP, thermofit (SAS4745)	2	—	—
C500B5 LAMP, warning, green (Mod 5466) Spares for:—	1	—	18/45
B5 KNOB	1	—	—
C500 LAMP, warning, green	1	—	—
EG7.80.341 PANEL, SUB-ASSEMBLY (Pre Mod 5466)	1	L72	18/38
EG7.80.5079 PANEL, SUB-ASSEMBLY (Mod 5466) Spares for:—	1	—	18/38A
EG7.80.343 PANEL (Pre Mod 5466)	1	—	—
EG7.80.5081 PANEL (Mod 5466)	1	—	18/46
PRC3-1/2 RECEPTACLE, dzus	7	—	18/26
ZA4001 STRIP, luminised	1	—	18/11
EG7.80.5349 PLATE, ident (Mod 5466)	1	—	18/47
EG7.80.1669 SHROUD, UAG0 station box, assembly (Pre Mod 5466) Attaching Parts for EG7.80.1669:—	1	—	18/30
AGS2001B1 Nut, stiff, 4 BA	3	—	18/29
A32B14 Screw, 4 BA round head	3	—	18/27
SP15B Washer, 4 BA plain	3	—	18/28
EG7.80.5345 SHROUD, assembly (Mod 5466) Spares for:—	1	—	18/48
XII BEADING	QR	—	18/49
EG7.80.5369 PLATE	1	—	18/50
EG7.80.5343 SHROUD Attaching Parts for EG7.80.5345:—	1	—	18/51
AGS2001B1 Nut, stiff, 4 BA	2	—	18/52
A32B14 Screw, 4 BA	2	—	18/53
SP15B Washer	2	—	18/54
EG7.80.1671 SHROUD, control unit, assembly (ISSUE 3) (Mod 5428) Attaching Parts for EG7.80.1671:—	1	—	18/31
AGS2001B1 Nut, stiff, 4 BA	2	—	18/34
A32B14 Screw, 4 BA round head	2	—	18/32
SP15B Washer, 4 BA plain	2	—	18/33
EG7.80.1673 SHROUD, control unit, assembly Attaching Parts for EG7.80.1673:—	1	—	18/39
AGS2001B1 Nut, stiff, 4 BA	2	—	18/21
A32B14 Screw, 4 BA round head	2	—	18/19
A33A4 Screw, 6 BA c'sk head	1	—	18/36
SP15B Washer, 4 BA plain	2	—	18/20
R AS10512M1 SHROUD, terminal (Mod 5253)	3	—	18/56
EEAS563 SLEEVE, special	4	M.A.M. Grade CH	18/18

PRESSURE CABIN EQUIPMENT

Part Number	Description	No. Off	Matl. Spec.	Plate No.
106488AC7-1 or N.S.F.	. . . SWITCH, push, square (Mod.5466)	1	-	18/55
R 8810/B104 or AS10512A-2 HC294/D	. . . SWITCH, tumbler (Mod.5253)	3	-	18/16
	. . . SWITCH, tumbler (Mod.5253)	3	-	
	. . . TAG, RT (SAS4745)	6	-	
R DP1002/A EG7.80.1707	. . . WASHER, 5BA (Mod.5253)	6	-	18/17
	. . . PANEL, PORT-COAMING, ASSEMBLY	1	-	18/2
	Spares for:-			
6A/1042370	. . . ACCELEROMETER, Mk.3	1	-	18/22
	Attaching parts for 6A/1042370:-			
A117/7B	. . . Bolt, 6 UNC pan head	3	-	18/24
AGS2037/B	. . . Washer, 4BA shakeproof	3	-	18/23
6B/1048857	. . . COMPASS, type E.2B	1	-	18/4
	Attaching parts for 6B/1048857:-			
A39/B12	. . . Screw, 4BA cheese head	2	-	18/5
EG7.80.1939	. . . PANEL, PORT-COAMING, SUB-ASSEMBLY	1	L72	18/3
	Spares for:-			
6B/1054118 HOLDER, deviation card, Mk.4	1	-	18/6
EG7.76.39 LABEL, demister warning	1	-	18/8
AS10512-D-1	. . . SWITCH, toggle (Alt.R60/62)	1	-	18/12
EG7.80.1353	. . . PANEL, UNDERCARRIAGE INSTRUMENT, ASSEMBLY	1	-	19/28
	Spares for:-			
EA2.80.271	. . . BRACKET, flap switch mounting, assembly	1	-	19/12
EA3.81.2081	. . . BRACKET, switch lock, assembly	1	-	19/13
	Attaching parts for EA3.81.2081:-			
A31/B12	. . . Screw, 4BA cheese head	4	-	19/18
1206	. . . Washer, 4BA shakeproof	4	-	19/19
C1224Y Mk.8	. . . INDICATOR, undercarriage	1	-	19/11
	Attaching parts for C1224Y:-			
A40/B20	. . . Screw, 4BA round head	4	-	19/10
EA3.81.2075	. . . KNOB, switch	1	DTD683	19/15
	Attaching parts for EA3.81.2075:-			
A31/B28	. . . Screw, 4BA cheese head	1	-	19/16
AGS2037/B	. . . Washer, 4BA shakeproof	1	-	19/17
5L/9951284	. . . LAMP, filament, 28V, 3.5W	9	-	19/9

EQUIPMENT, AIRCRAFT
PRESSURE CABIN EQUIPMENT

Part Number	Description	No. Off	Mati. Spec.	Plate No.
THERMOTANKS LTD. DAR2	. . . LOUVRE Attaching parts for DAR2:	1	-	19/14
AS2922/48	. . . Bolt, 4BA round head	3	-	19/20
AGS2001/B/1	. . . Nut, stiff, 4BA	3	-	19/22
SP14/B	. . . Washer, 4BA plain	3	-	19/21
EA2.80.493	. . . PACKING	2	DTD610	19/7
EG7.80.1507	. . . PANEL, LOUVRE, ASSEMBLY Spares for:	1	-	19/23
EA1.80.1057	. . . PAD, "sorbo" rubber, 5" x 1" x .15" (Make from 32C/660)	1	Sorbo Rubber	19/25
ODDIE 325	. . . STUD, atom	3	-	19/26
ODDIE 326	. . . WASHER, atom	3	-	19/27
DOWTY C5182Y/Mk.4D	. . . SWITCH, push button, undercarriage Attaching parts for C1582Y/Mk.4D:	1	-	19/2
A40/B16	. . . Screw, 4BA round head	2	-	19/3
EA3.81.2071	. . . SWITCH, FLAP SELECTION, ASSEMBLY Spares for:	1	-	19/1
A33/A6	. . . SCREW, 6BA c'sk head	2	-	19/4
5CW/1047697	. . . SWITCH, tumbler	1	-	19/5
5CW/4401003	. . . SWITCH, toggle	1	-	19/6
-	. . . PANEL, SWITCH, TAKE-OFF, INSTALLATION (EG7.80.1005) Spares for:	-	-	19/29
EG7.80.1443	. . . ANGLE, attachment, assembly Attaching parts for EG7.80.1443:	1	L72	19/30
A25/2C	. . . Bolt, 2BA hex. head	2	-	19/34
SP15/C	. . . Washer, 2BA plain	2	-	19/35
EG7.80.1011	. . . BRACKET, support	1	L72	19/49
EG7.80.1013	. . . BRACKET, support	1	L72	19/48
EG7.80.1007	. . . PANEL, SWITCH, TAKE-OFF, ASSEMBLY Spares for:	1	-	19/41
R 5X/1002695	. . . BLOCK, terminal, 20-way	1	-	19/45
R 5X/9149643	. . . CHANNEL, mounting	1	L72	19/42
R 5X/9149643	. . . COVER, terminal block	1	-	19/46
R EA4.81.1687	. . . FLAP, spring, assembly (Pre SAS4745)	1	-	19/31
R EG7.80.1515	. . . FLAP, SWITCH-GUARD, ASSEMBLY (Pre SAS4745) Spares for:	1	-	19/40
EG7.80.1131	. . . FLAP, assembly	1	-	19/32
EA6.81.369	. . . PIN, hinge	1	DTD683	19/33
EA1.81.929	. . . SPRING, torsion	1	DTD215	19/39
R EG7.81.3661	. . . FLAP, SWITCH-GUARD, ASSEMBLY (SAS4745) Spares for:	1	-	19/40
EG7.81.3663	. . . FLAP, assembly	1	-	19/32
R EA6.81.369	. . . PIN, hinge	1	DTD683	19/33
R EA1.81.929	. . . SPRING, torsion	1	DTD215	19/39

EQUIPMENT, AIRCRAFT

PRESSURE CABIN EQUIPMENT

Part Number	Description	No. Off	Matl. Spec.	Plate No.
EG7.80.1015 GUARD, switch	2	L72	19/44
R EF3.80.3381 GUARD, switch, assembly (Pre SAS4745)	2	-	19/43
R CM0560 FIG.1 LABEL, "SAFE" (Com.Mod.0560) (SAS4745)	1	-	
R CM0560 FIG.2 LABEL, "LIVE" (Com.Mod.0560) (SAS4745)	1	-	
R - LABEL, "CANOPY SNATCH MASTER" (ST1/382) (SAS4745)	1	-	
R 5X/9450403 PILLAR, terminal block fixing	2	-	19/47
EEAS563 SLEEVE, special	3	M.A.M.	19/53
EEAS566 SLEEVE, special	13	M.A.M. Grade CH	19/38
R N.S.F. 8810/B104 SWITCH, tumbler (Pre SAS4745)	13	-	19/37
R N.S.F. 8824/B101 SWITCH, tumbler (Pre SAS4745)	3	-	19/52
R AS10512A-2 SWITCH, SP (SAS4745)	1	-	
R AS10512B-2 SWITCH, SP (SAS4745)	11	-	
R AS10512B-3 SWITCH, SP (SAS4745)	1	-	
R AS10512C-1 SWITCH, DP (SAS4745)	2	-	
R AS10512D-1 SWITCH, DP (SAS4745)	1	-	
AS1248/1/2C	Attaching parts for EG7.80.1007: . . . Bolt, 2BA mushroom head	4	-	19/51
EG7.80.1125	. . . PLATE, radius	2	L72	19/36
EG7.80.1715	. . . SHIM, laminated, 3/32" x .003	1	LA3	19/50
-	. . . SEATING IN PRESSURE CABIN, ASSEMBLY (EG7.80.1305)	-	-	20/13
EB6.80.25	Spares for: . . . BRACKET, attachments, pilot's seat rail Attaching parts for EB6.80.25:	1	-	20/4
A25/5G	. . . Bolt, 5/16" BSF hex. head	1	-	20/6
EB6.80.26	. . . BRACKET, attachment, pilot's, seat rail Attaching parts for EB6.80.26:	1	-	20/5
A25/5G	. . . Bolt, 5/16" BSF hex. head	1	-	20/6
EA2.80.5135	. . . BRACKET, PIPE CLAMP, ASSEMBLY Spares for:	1	-	20/17
EA2.80.5133	. . . BRACKET Attaching parts for EA2.80.5135:	1	-	20/21
A25/1C	. . . Bolt, 2BA hex. head	2	-	20/19
SP13/C	. . . Washer, 2BA plain	2	-	20/20
MARTIN BAKER MBCJ2587	. . . BREECH-UNIT, and time release combined (Mod.5244) Attaching parts for MBCJ2587:	1	-	20/9
AS1242/13E	. . . Bolt, 1/4" BSF c'sk head	2	-	20/7
AS1242/17E	. . . Bolt, 1/4" BSF c'sk head	1	-	20/3
AGS2001/E/1/66	. . . Nut, stiff, 1/4" BSF	3	-	20/1
SP13/E	. . . Washer, 1/4" BSF plain	6	-	20/2
R 12K/9629446	. . . CARTRIDGE, No.3, Mk.1	1	-	20/10
R 12K/9629465	. . . CARTRIDGE, set, No.13, Mk.1 (Mod.4448)	3	-	20/8
EG5.80.177	. . . CLAMP, pipe, assembly Attaching parts for EG5.80.177:	1	-	20/25
A25/10B	. . . Bolt, 4BA hex. head	2	-	20/28
AGS2001/B/1	. . . Nut, stiff, 4BA	2	-	20/23
SP13/B	. . . Washer, 4BA plain	2	-	20/24
MARTIN BAKER MBEU34678	. . . GUN, ejection, type 12, Mk.1 (Mod.4448)	2	-	20/16
MARTIN BAKER MBEU34679	. . . GUN, ejection, type 10, Mk.1 (Mod.4448)	1	-	20/11

EQUIPMENT, AIRCRAFT
PRESSURE CABIN EQUIPMENT

Part Number	Description	No. Off	Matl. Spec.	Plate No.
				1 2 3 4 5 6
-	. . . LINE LEG RESTRAINT AND BRACKETS, PILOT'S, ASSEMBLY (EG7.80.1725) Consisting of:-	-	-	20/14
-	. . . BRACKETS, LEG RESTRAINT, INSTALLATION (EG7.80.1727) Spares for:-	-	-	20/18
MARTIN BAKER MBEU3666 BRACKET, floor, release unit Attaching parts for MBEU3666:-	2	-	20/29
A25/9C Bolt, 2BA hex. head	4	-	20/26
MARTIN BAKER MBEU17353	. . . LINE, leg restraint	2	-	20/22
MARTIN BAKER MBEU8921	. . . PIN, shear	2	-	20/27
MARTIN BAKER MBEU17353	. . . LINE, leg restraint	4	-	20/15
-	. . . MECHANISM, SINGLE LEVER EJECTION, INSTALLATION (EA3.80.6405) Spares for:-	-	-	21/7
EA3.80.6411	. . . BOLT, special	5	S95	21/23
EA3.80.6409	. . . BOX, sealing	1	S510	21/24
R EA3.80.6695	. . . CABLE, secondary firing, port rear seat (Mod.5353) Spares for:-	1	-	21/2
R MARTIN BAKER MBEU56016 PIN, assembly Attaching parts for MBEU56016:-	1	-	21/37
R SP121/G Collar	1	-	21/38
R SP113/G5 Pin, shear	1	-	21/39
R SP90/E7 Pin, split Attaching parts for EA3.80.6695:-	1	-	21/40
R SP4Z/B4	. . . Pin, shackle	1	-	21/1
R SP90/C3	. . . Pin, split	1	-	21/8
R SP13/C	. . . Washer, 2BA plain	1	-	21/3
R EA3.80.6691	. . . CABLE, assembly, starboard (Mod.5266) Attaching parts for EA3.80.6691:-	1	-	21/20
R SP121/B	. . . Collar	1	-	21/15
R SP113/B5-1/4	. . . Pin, shear	1	-	21/16
R SP90/C5	. . . Pin, split	1	-	21/17
EA3.80.6425	. . . CONDUIT, convoluted, assembly	1	-	21/34
EA3.80.6427	. . . CONDUIT, convoluted	1	-	21/4
EA3.80.6407	. . . COVER, assembly Attaching parts for EA3.80.6407:-	2	S510	21/25
A25/2C	. . . Bolt, 2BA hex. head	10	-	21/32
SP15/C	. . . Washer, 2BA plain	10	-	21/33
EA3.80.6417	. . . LEVER, cocking, assembly	2	-	21/13
EA3.80.6413	. . . LINK, cocking, assembly	1	-	21/21

A.P.101B-0417-3A

Page F29

EQUIPMENT, AIRCRAFT
PRESSURE CABIN EQUIPMENT

Part Number	Description	No. Off	Matl. Spec.	Plate No.
EA3.81.6531	MECHANISM, SINGLE LEVER EJECTION, PORT. ASSEMBLY (MOD.4469)	1	-	22/2
	Spares for:			
EA3.81.6553	ARM, cam follower, assembly	1	S61	22/30
EA3.81.6043	BODY	1	-	22/17
A25/26C	BOLT, 2BA hex. head	3	-	22/18
A25/10B	BOLT, 4BA hex. head	2	-	22/25
AS1242/26C	BOLT, 2BA c'sk head	2	-	22/33
AS1242/10B	BOLT, 4BA c'sk head	1	-	22/4
EA3.81.6061	BLOCK, guide	1	L65	22/7
EA3.81.6063	BLOCK, guide	1	L64	22/23
EA3.81.6527	MASK, assembly	1	L16	22/6
AGS2002/C/1	NUT, stiff, 2BA	5	-	22/29
A27/BT	NUT, 4BA thin	3	-	22/3
EA3.81.6067	PIN, locating	2	S1	22/13
EA3.81.6069	PIN, locating	1	S1	22/22
SP28/E6	PIN, taper	1	-	22/10
SP4Z/A2	PIN, shackle	1	-	22/12
SP90/C4	PIN, split	2	-	22/16
EA3.81.6087	PLATE, sealing	1	L72	22/32
EA3.81.6551	PLUNGER, cam (Mod.4469)	1	L64	22/15
DOWTY 1077Z136	RING, retaining (Mod.4469)	2	-	22/20
EA3.81.6051	ROLLER	1	S61	22/14
EA3.80.6485	SEAR, assembly (Mod.4469)	1	-	22/9
EA3.81.6085	SEAL (Make from 32C/628)	1	Neoprene	22/31
DOWTY 1077Z138	SHROUD, cable entry (Mod.4469)	2	-	22/21
EA3.81.6529	SPINDLE, adjusting (Mod.4469)	1	S1	22/24
EA3.81.6041	SPRING	1	DTD5A	22/5
EA3.81.6053	SPRING, compression	1	DTD5A	22/11
DOWTY D.N.1241Z	SWITCH, microseal, Mk.1A	2	-	22/27
AS2811/5/235	TUBE, distance	3	L62	22/26
SP13/C	WASHER, 2BA plain	5	-	22/28
SP13/B	WASHER, 4BA plain	3	-	22/8
SP13/E	WASHER, 1/4" BSF plain	1	-	22/19
EA3.81.6523	MECHANISM, SINGLE LEVER EJECTION, STARBOARD ASSEMBLY (MOD.4468)	1	-	22/1
	Spares for:			
EA3.81.6553	ARM, cam follower, assembly (Ref.42534 modified)	1	S61	22/30
EA3.81.6043	BODY	1	-	22/17
A25/26C	BOLT, 2BA hex. head	3	-	22/18
A25/10B	BOLT, 4BA c'sk head	2	-	22/25
AS1242/26C	BOLT, 2BA c'sk head	2	-	22/33
AS1242/10B	BOLT, 4BA c'sk head	1	-	22/4
EA3.81.6061	BLOCK, guide	1	L64	22/7
EA3.81.6063	BLOCK, guide	1	L64	22/23
EA3.81.6527	MASK, assembly (Mod.4468)	1	L16	22/6
AGS2002/C/1	NUT, stiff, 2BA	5	-	22/29
A27/BT	NUT, 4BA thin	3	-	22/3
EA3.81.6067	PIN, locating	2	S1	22/13
EA3.81.6069	PIN, cocking	1	S1	22/22
SP28/E6	PIN, taper	1	-	22/10
SP4Z/A2	PIN, shackle	1	-	22/12
SP90/C4	PIN, split	2	-	22/16
EA3.81.6087	PLATE, sealing	1	L72	22/32
EA3.81.6551	PLUNGER, cam (Mod.4468)	1	L64	22/15
DOWTY 1077Z137	RING, retaining (Mod.4468)	2	-	22/20
EA3.81.6051	ROLLER	1	S61	22/14
EA3.80.6485	SEAR, assembly	1	-	22/9

EQUIPMENT, AIRCRAFT
PRESSURE CABIN EQUIPMENT

Part Number	Description	No. Off	Mati. Spec.	Plate No.
EA3.81.6085 DOWTY	SEAL (Make from 32C/628)	1	Neoprene	22/31
1077Z138	SHROUD, cable entry (Mod.4468)	2	—	22/21
EA3.81.6529	SPINDLE, adjusting (Mod.4468)	1	S1	22/24
EA3.81.6041	SPRING	1	DTD5A	22/5
EA3.81.6053 DOWTY	SPRING, compression	1	DTD5A	22/11
DN1241Z	SWITCH, microseal	2	—	22/27
AS2811/5/235	TUBE, distance	3	L62	22/26
SP13/C	WASHER, 2BA plain	5	—	22/28
SP13/B	WASHER, 4BA plain	3	—	22/8
SP13/E	WASHER, 1/4" BSF plain	1	—	22/9
EA3.80.6463	PACKING	1	L72	21/6
EA3.80.6415	PLATE, peg	1	S510	21/30
A27/CT	Attaching parts for EA3.80.6415: Nut, 2BA thin	2	—	21/26
EEAS1/2C	Screw, 2BA 120° c'sk head	2	S96	21/29
SP10/C	Washer, 2BA plain	2	—	21/31
EEAS1/2C	SCREW, 2BA 120° c'sk head	4	S96	21/27
EEAS1/3C	SCREW, 2BA 120° c'sk head	5	S96	21/5
EA3.80.6421	SEAL, for cover and mechanism	2	Neoprene	21/28
EA3.80.6429	SEAL, for conduit	1	Neoprene	21/35
EA3.80.6419	STOWAGE, COCKING LEVER, ASSEMBLY	1	—	21/12
AS1877/20	Spares for: HINGE (Make from Ref.28N/9486470)	1	—	21/10
EA3.80.6451	LID	1	L72	21/9
EA3.80.6453	SPRING	1	DTD187	21/22
AS1248/1C	Attaching parts for EA3.80.6419: Bolt, 2BA mushroom head	2	—	21/14
AGS2001/C/1	Nut, stiff, 2BA	2	—	21/18
SP15/C	Washer, 2BA plain	2	—	21/19
EA3.80.6431	WASHER, packing, conduit	2	L72	21/38
15A/4177654	PARACHUTE, type 'S', Mk.19	3	—	20/12
MARTIN BAKER MBEU8921	PIN, shear	4	—	23/14
MARTIN BAKER MBCJ/1765	PIPE, assembly	1	—	23/16
MARTIN BAKER MBCJ1984	PIPE, assembly	1	—	23/11
MARTIN BAKER MBCJ1983	PIPE, assembly	1	—	23/8
MARTIN BAKER E/MBEU1902EE	RAIL, guide, pilot's	1	—	23/19
EG7.80.1679	Attaching parts for E/MBEU1902EE: Bolt, special, 2BA (Make from A25/10C)	4	—	23/27
A25/5J	Bolt, 3/8" BSF hex. head	2	—	23/22
A27/CP	Nut, 2BA plain	4	—	23/25
AGS2001/J/1	Nut, stiff, 3/8" BSF	2	—	23/24
EG7.80.1513	Packing, fillet	4	L72	23/28
SP15/J	Washer, 3/8" BSF plain	2	—	23/23

EQUIPMENT, AIRCRAFT
PRESSURE CABIN EQUIPMENT

Part Number	Description	No. Off	Mati. Spec.	Plate No.
MARTIN BAKER E/MBEU1963EE	RAIL, guide, navigator's Attaching parts for E/MBEU1963EE:	1	-	23/5
A25/6E	Bolt, 1/4" BSF hex. head	12	-	23/12
A25/7E	Bolt, 1/4" BSF hex. head	10	-	23/32
A25/8E	Bolt, 1/4" BSF hex. head	2	-	23/33
A25/7G	Bolt, 5/16" BSF hex. head	3	-	23/34
A25/8G	Bolt, 5/16" BSF hex. head	1	-	23/38
A25/10G	Bolt, 5/16" BSF hex. head	2	-	23/40
A25/5L	Bolt, 7/16" BSF hex. head	5	-	23/42
AS1242/6E	Bolt, 1/4" BSF c'sk head	1	-	23/45
AGS2001/E/1	Nut, stiff, 1/4" BSF	25	-	23/26
AGS2001/G/1	Nut, stiff, 5/16" BSF	6	-	23/35
AGS2001/L/1	Nut, stiff, 7/16" BSF	5	-	23/43
EA3.80.477	Packing, fillet	3	L72	23/41
EA3.80.479	Packing, fillet	4	L72	23/36
EA3.80.481	Packing, fillet	20	L72	23/30
EA3.80.1725	Packing	1	L40	23/29
EA3.10.2197	Packing	1	L72	23/15
EA3.10.571	Shim, laminated	1	-	23/13
SP15/E	Washer, 1/4" BSF plain	20	-	23/31
SP15/G	Washer, 5/16" BSF plain	4	-	23/39
SP15/L	Washer, 7/16" BSF plain	5	-	23/44
SP16/E	Washer, 1/4" BSF plain	4	-	23/18
SP16/G	Washer, 5/16" BSF plain	3	-	23/37
MARTIN BAKER E/MBEU1964EE	RAIL, guide, E.C.M. operator Attaching parts for E/MBEU1964EE:	1	-	23/4
A25/4E	Bolt, 1/4" BSF hex. head	9	-	23/46
A25/5E	Bolt, 1/4" BSF hex. head	8	-	23/49
A25/6E	Bolt, 1/4" BSF hex. head	6	-	23/1
A25/9G	Bolt, 5/16" BSF hex. head	2	-	23/50
A25/5L	Bolt, 7/16" BSF hex. head	5	-	23/54
AS1242/5E	Bolt, 1/4" BSF c'sk head	1	-	23/57
AGS2001/E/1	Nut, stiff, 1/4" BSF	23	-	23/3
AGS2001/G/1	Nut, stiff, 5/16" BSF	2	-	23/51
AGS2001/L/1	Nut, stiff, 7/16" BSF	5	-	23/55
EA3.80.477	Packing, fillet	2	L72	23/52
EA3.80.481	Packing, fillet	20	L72	23/47
EA2.10.2197	Packing	1	L72	23/7
EA3.10.571	Shim, laminated	1	-	23/6
SP15/E	Washer, 1/4" BSF plain	19	-	23/48
SP15/G	Washer, 5/16" BSF plain	2	-	23/53
SP15/L	Washer, 7/16" BSF plain	5	-	23/56
SP16/E	Washer, 1/4" BSF plain	4	-	23/2
MARTIN BAKER MBEU2470EE	SEAT, ejection, type 2, C.A.1, Mk.2 (Mod.4468) (For spares see A.P.4515S, Vol.3, Pt.1, Chap.31)	1	-	23/10
MARTIN BAKER MBEU2472EE	SEAT, ejection, type 2, C.A.2, Mk.4 (Mod.4468) (For spares see A.P.4515S, Vol.3, Pt.1, Chap.31)	2	-	23/9
AS2306/025	TUBE, distance	1	-	23/20
MARTIN BAKER C76/HC/MB	UNION, ermeto, 1/2" pipe	2	-	23/17
EEAS239/1A	WASHER, 'D'	2	L72	23/21

EQUIPMENT, AIRCRAFT
PRESSURE CABIN EQUIPMENT

Part Number	Description	No. Off	Mati. Spec.	Plate No.
R EA3.80.1225	. STOWAGE, asbestos gloves, assembly	1	—	24/7
R EA3.80.6643	. STOWAGE, PILOT'S MAP, ASSEMBLY (Mod.5061) (CM0541/STC) (SAS4745) Spares for:—	1	—	24/1
R EA3.80.6655	. . STOWAGE, pilot's maps (Make from AS432, Ref.No.25158) Attaching parts for EA3.80.6655:—	1	—	24/2
R AS1248/2C	. . Bolt, 2BA mushroom head	2	—	24/3
R AGS2002/C/1	. . Nut, stiff, 2BA	2	—	24/5
R SP124/D	. . Washer (Fit 2 at each bolt position and 1 at each rivet position)	6	—	24/6
R EA3.80.785	. VALISE, navigator's stowage (SAS4745)	1	—	24/8

EQUIPMENT IN REAR FUSELAGE

Ref. No.	Part No.	Description	No. off	Matl. Spec.	Cl. of Equip. M.R. L.M.	Fig. and Index
R	-	EQUIPMENT IN REAR FUSELAGE, ASSEMBLY (E.A3.83.115) Spares for:-	-	-	-	
	E.B6.80.791	STOWAGE, SURVIVAL PACK, BETWEEN FRAMES 31B AND 33 PORT, ASSEMBLY Spares for:-	-	-	-	25/3
	E.B6.80.795	CRATE AND STRAP, ASSEMBLY Spares for:-	-	-	MR	25/5
	E.B6.80.793	CRATE, ASSEMBLY Spares for:-	1	-	-	25/16
31027	E.B8.80.3201	NUT, knurled	1	L65	C	25/17
14714	E.B8.80.1787	FRAME, hinged Attaching parts for E.B8.80.1787:-	1	-	C	25/10
28D/1011013	A25/13B	Bolt, 4 BA hex. head	1	-	C	25/11
28M/1278189	AGS.2001/B/1	Nut, stiff, 4 BA	1	-	C	25/12
14710	E.B8.80.1789	STRAP, 1" wide, c/w buckle Attaching parts for E.B8.80.1789:-	2	Comm. Webbing	C	25/6
28D/1011013	A25/13B	Bolt, 4 BA hex. head	2	-	C	25/14
28M/1278189	AGS.2001/B/1	Nut, stiff, 4 BA	2	-	C	25/13
14711	E.B8.80.1791	STRAP, 1" wide, c/w buckle Attaching parts for E.B8.80.1791:-	2	Comm. Webbing	C	25/8
28D/1011013	A25/13B	Bolt, 4 BA hex. head	2	-	C	25/21
28M/1278189	AGS.2001/B/1	Nut, stiff, 4 BA	2	-	C	25/18
14712	E.B8.80.1795	STRAP, 1" wide, c/w buckle Attaching parts for E.B8.80.1795:-	1	Comm. Webbing	C	25/15
28D/1011013	A25/13B	Bolt, 4 BA hex. head	1	-	C	25/20
28M/1278189	AGS.2001/B1	Nut, stiff, 4 BA	1	-	C	25/23
14713	E.B8.80.1797	STRAP, 1" wide, c/w buckle Attaching parts for E.B8.80.1797:-	1	Comm. Webbing	C	25/9
28D/1011013	A25/13B	Bolt, 4 BA hex. head	1	-	C	25/19
28M/1278189	AGS.2001/B/1	Nut, stiff, 4 BA	1	-	C	25/22
28D/1011030	A25/2E	Bolt, 1/4" BSF hex. head	2	-	C	25/7
28D/1011238	A25/3E	Bolt, 1/4" BSF hex. head	2	-	C	25/1
28M/9480017	AGS.2001/E/1	Nut, stiff, 1/4" BSF	4	-	C	25/4
28W/9419405	SP15/E	Washer, 1/4" BSF plain	4	-	C	25/2
	E.B8.80.1773	STOWAGE, SURVIVAL PACK, BETWEEN FRAMES 36 AND 37 PORT, ASSEMBLY Spares for:-	1	-	-	26/7
	E.B8.80.1775	CRATE AND STRAP, ASSEMBLY Spares for:-	1	-	-	26/4
	E.B8.80.1783	CRATE, ASSEMBLY Spares for:-	1	-	-	26/13
31027	E.B8.80.3201	NUT, knurled	1	L65	C	26/19

EQUIPMENT, AIRCRAFT

EQUIPMENT IN REAR FUSELAGE

Ref. No.	Part No.	Description	No. off	Mater. Spec.	Cl. of Equip. M.R. L.M.	Fig. and Index
14714	E.B8.80.1787	FRAME, hinged	1	—	C	26/15
28D/9132448	A25/12B	Attaching parts for E.B8.80.1787:—				
28M/1278189	AGS.2001/B/1	Bolt, 4 BA hex. head	1	—	C	26/16
		Nut, stiff, 4 BA	1	—	C	26/17
14710	E.B8.80.1789	STRAP, 1" wide, c/w buckle	2	Comm. Webbing	C	26/11
28D/9132448	A25/12B	Attaching parts for E.B8.80.1789:—				
28M/1278189	AGS.2001/B/1	Bolt, 4 BA hex. head	1	—	C	26/22
		Nut, stiff, 4 BA	1	—	C	26/23
14711	E.B8.80.1791	STRAP, 1" wide, c/w buckle	2	Comm. Webbing	C	26/12
28D/9132448	A25/12B	Attaching parts for E.B8.80.1791:—				
28M/1278189	AGS.2001/B/1	Bolt, 4 BA hex. head	1	—	C	26/14
		Nut, stiff, 4 BA	1	—	C	26/20
14712	E.B8.80.1795	STRAP, 1" wide, c/w buckle	1	Comm. Webbing	C	26/18
28D/9132448	A25/12B	Attaching parts for E.B8.80.1795:—				
28M/1278189	AGS.2001/B/1	Bolt, 4 BA hex. head	1	—	C	26/24
		Nut, stiff, 4 BA	1	—	C	26/26
14713	E.B8.80.1797	STRAP, 1" wide	1	Comm. Webbing	C	26/9
28D/9132448	A25/12B	Attaching parts for E.B8.80.1797:—				
28M/1278189	AGS.2001/B/1	BOLT, 4 BA hex. head	1	—	C	26/21
		Nut, stiff, 4 BA	1	—	C	26/25
28D/1011029	A25/1E	Attaching parts for E.B8.80.1775:—				
28D/1011238	A25/3E	Bolt, 1/4" BSF hex. head	1	—	C	26/6
28D/1010031	A25/8E	Bolt, 1/4" BSF hex. head	1	—	C	26/10
28M/9480017	AGS.2001/E/1	Bolt, 1/4" BSF hex. head	2	—	C	26/3
28W/9419405	SP15/E	Nut, stiff, 1/4" BSF	4	—	C	26/1
		Washer, 1/4" BSF plain	4	—	C	26/2
	E.B8.80.1774	STOWAGE, SURVIVAL PACK, BETWEEN	—	—	—	26/8
		FRAMES 36 AND 37, STARBOARD, ASSEMBLY				
		Spares for:—				
	E.B8.80.1776	CRATE AND STRAP, ASSEMBLY	1	—	—	26/5
		Spares for:—				
	E.B8.80.1783	CRATE, ASSEMBLY	1	—	—	26/13
		Spares for:—				
31027	E.B8.80.3201	NUT, knurled	1	L65 or 64	C	26/19
14714	E.B8.80.1787	FRAME, hinged	1	—	C	26/15
28D/9132448	A25/12B	Attaching parts for E.B8.80.1787:—				
28M/1278189	AGS.2001/B/1	Bolt, 4 BA hex. head	1	—	C	26/16
		Nut, stiff, 4 BA	1	—	C	26/17
14710	E.B8.80.1789	STRAP, 1" wide, c/w buckle	2	Comm. Webbing	C	26/11
28D/9132448	A25/12B	Attaching parts for E.B8.80.1789:—				
28M/1278189	AGS.2001/B/1	Bolt, 4 BA hex. head	1	—	C	26/22
		Nut, stiff, 4 BA	1	—	C	26/23

EQUIPMENT IN REAR FUSELAGE

Ref. No.	Part No.	Description							No. off	Matl. Spec.	Cl. of Equip. M.R. L.M.	Fig. and Index
		1	2	3	4	5	6	7				
14711	E.B8.80.1791	STRAP, 1" wide, c/w buckle							2	Comm. Webbing	C	26/12
		Attaching parts for E.B8.80.1791:--										
28D/9312448	A25/12B	Bolt, 4 BA hex. head							1	-	C	26/14
28M/1278189	AGS.2001/B/1	Nut, stiff, 4 BA							1	-	C	26/20
14712	E.B8.80.1795	STRAP, 1" wide, c/w buckle							1	Comm. Webbing	C	26/18
		Attaching parts for E.B8.80.1795:--										
28D/9132448	A25/12B	Bolt, 4 BA hex. head							1	-	C	26/24
28M/1278189	AGS.2001/B/1	Nut, stiff, 4 BA							1	-	C	26/26
14713	E.B8.80.1797	STRAP, 1" wide, c/w buckle							1	Comm. Webbing	C	26/9
		Attaching parts for E.B8.80.1797:--										
28D/9132448	A25/12B	Bolt, 4 BA hex head							1	-	C	26/21
28M/1278189	AGS.2001/B/1	Nut, stiff, 4 BA							1	-	C	26/25
		Attaching parts for E.B8.80.1776:--										
28D/1011029	A25/1E	Bolt, 1/4" BSF hex. head							1	-	C	26/6
28D/1011238	A25/3E	Bolt, 1/4" BSF hex. head							1	-	C	26/10
28D/1010031	A25/BE	Bolt, 1/4" BSF hex. head							2	-	C	26/3
28M/9480017	AGS.2001/E/1	Nut, stiff, 1/4" BSF							4	-	C	26/1
28W/9419405	SP15/E	Washer, 1/4" BSF plain							4	-	C	26/2

EQUIPMENT, AIRCRAFT

EQUIPMENT IN REAR FUSELAGE

Ref. No.	Part No.								No. off	Matl. Spec.	Cl. of Equip. M.R. L.M.	Fig. and Index
		1	2	3	4	5	6	7				

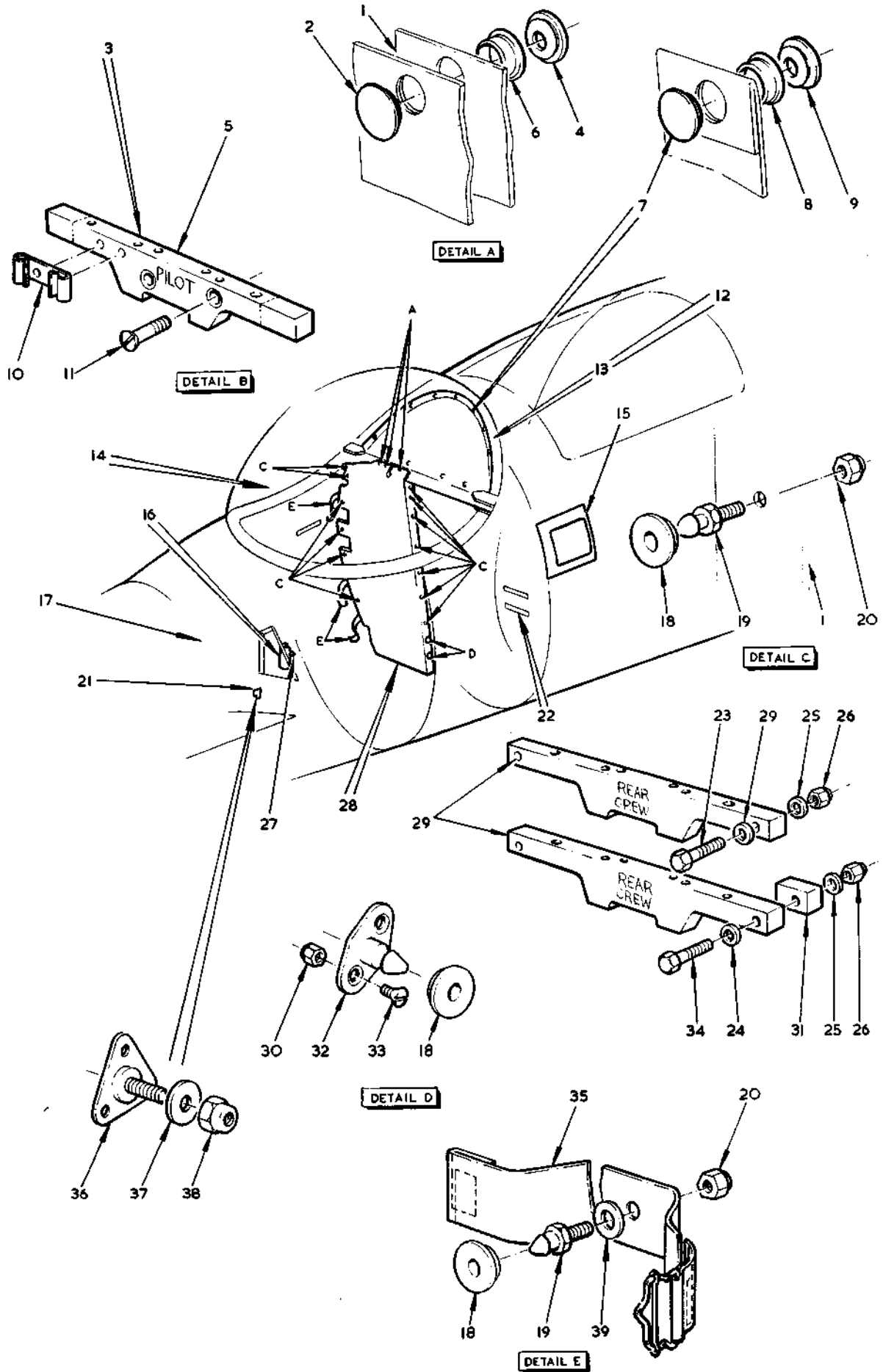


FIG. 1. PRESSURE CABIN EQUIPMENT

Restricted

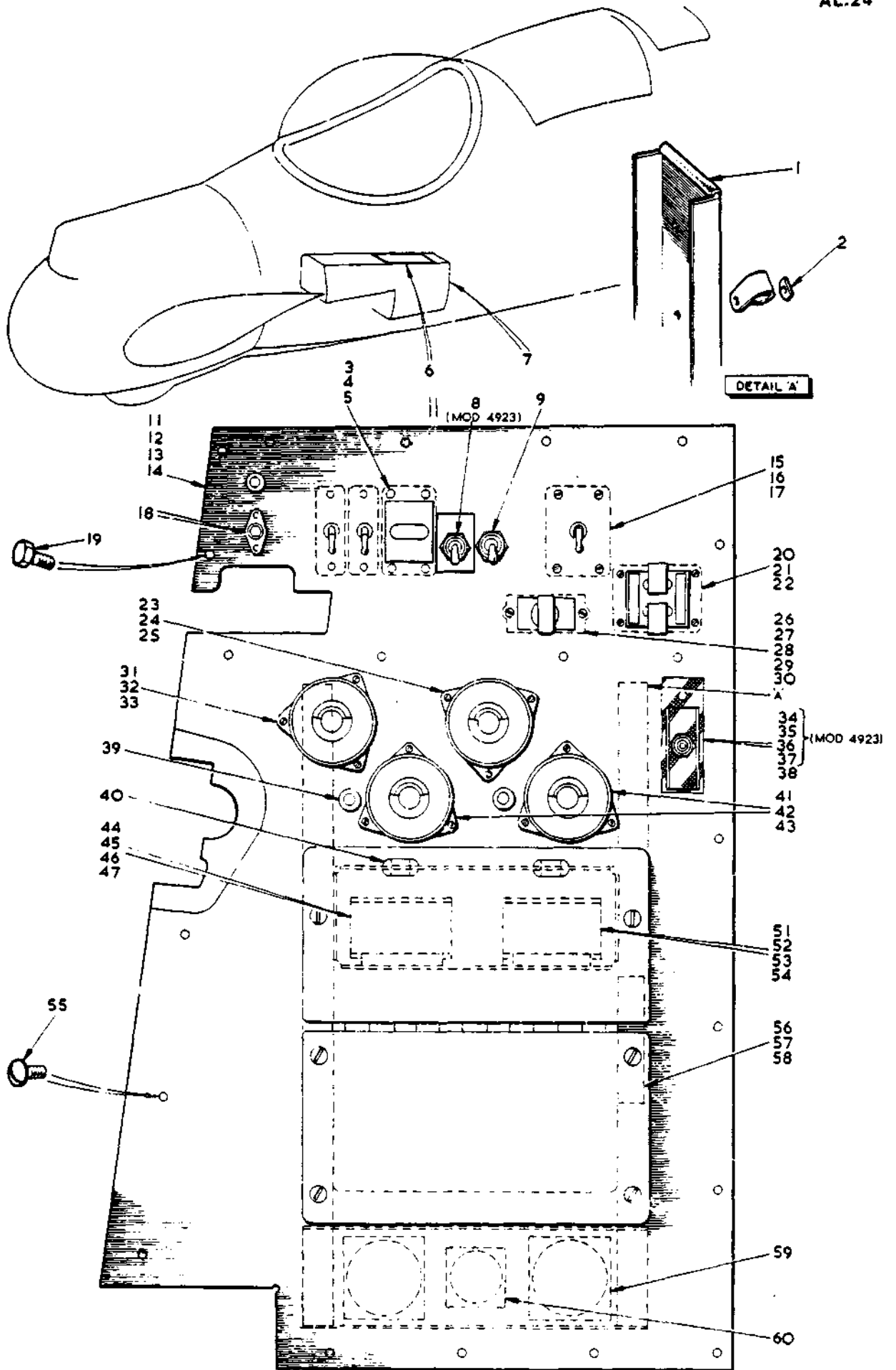


FIG.2 PRESSURE CABIN EQUIPMENT

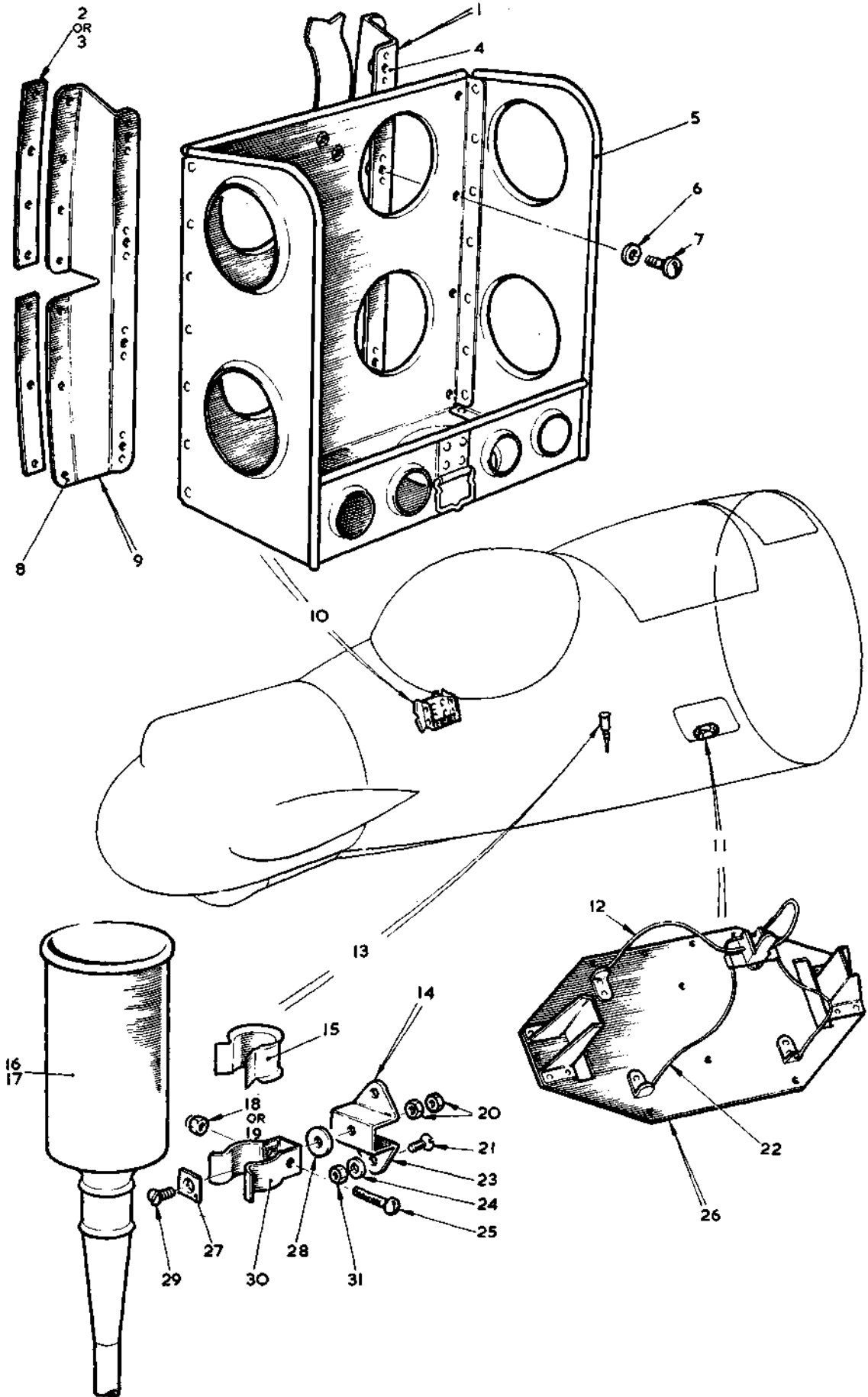


FIG. 4 PRESSURE CABIN EQUIPMENT
Restricted

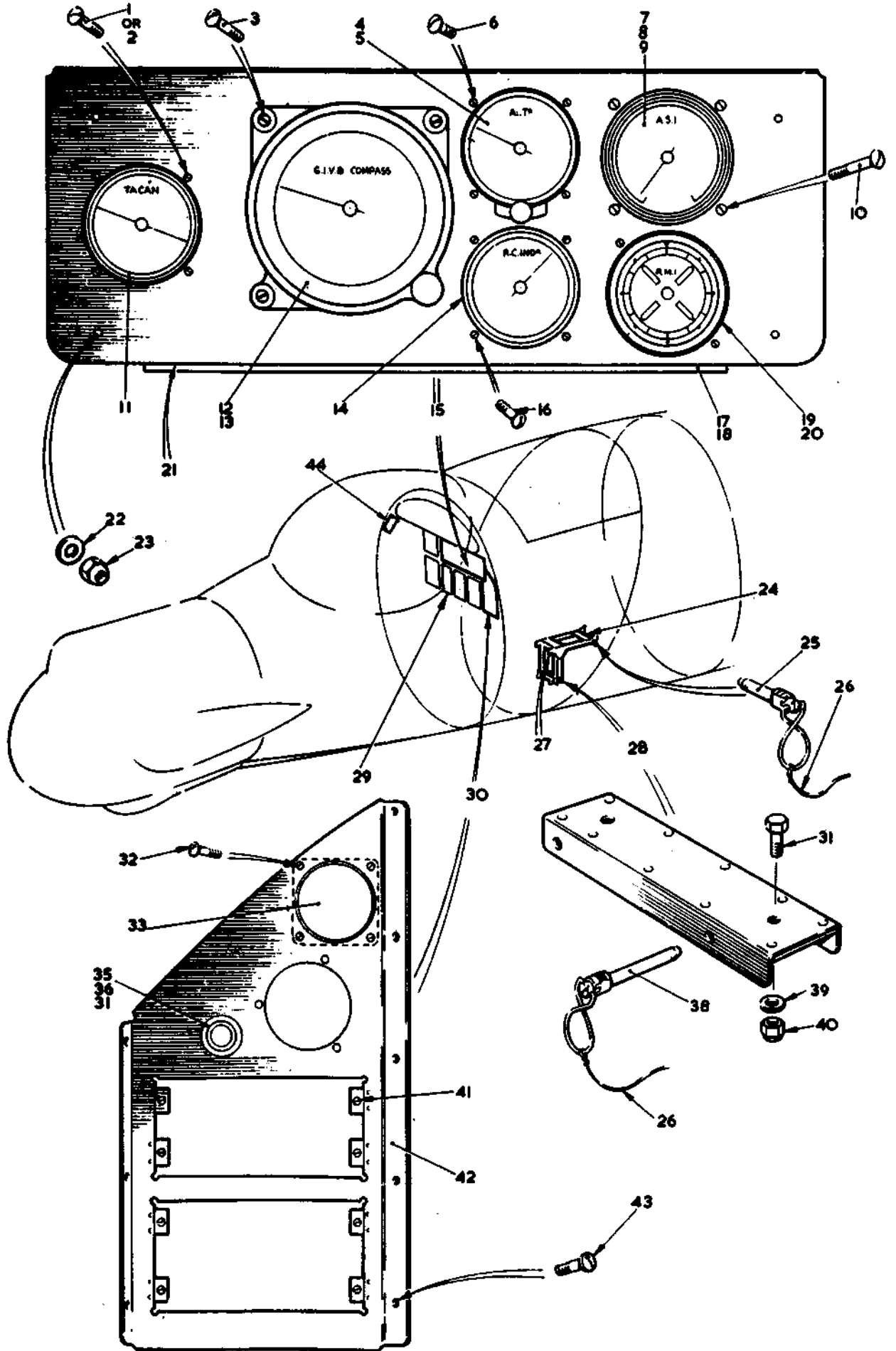


FIG 5 PRESSURE CABIN EQUIPMENT

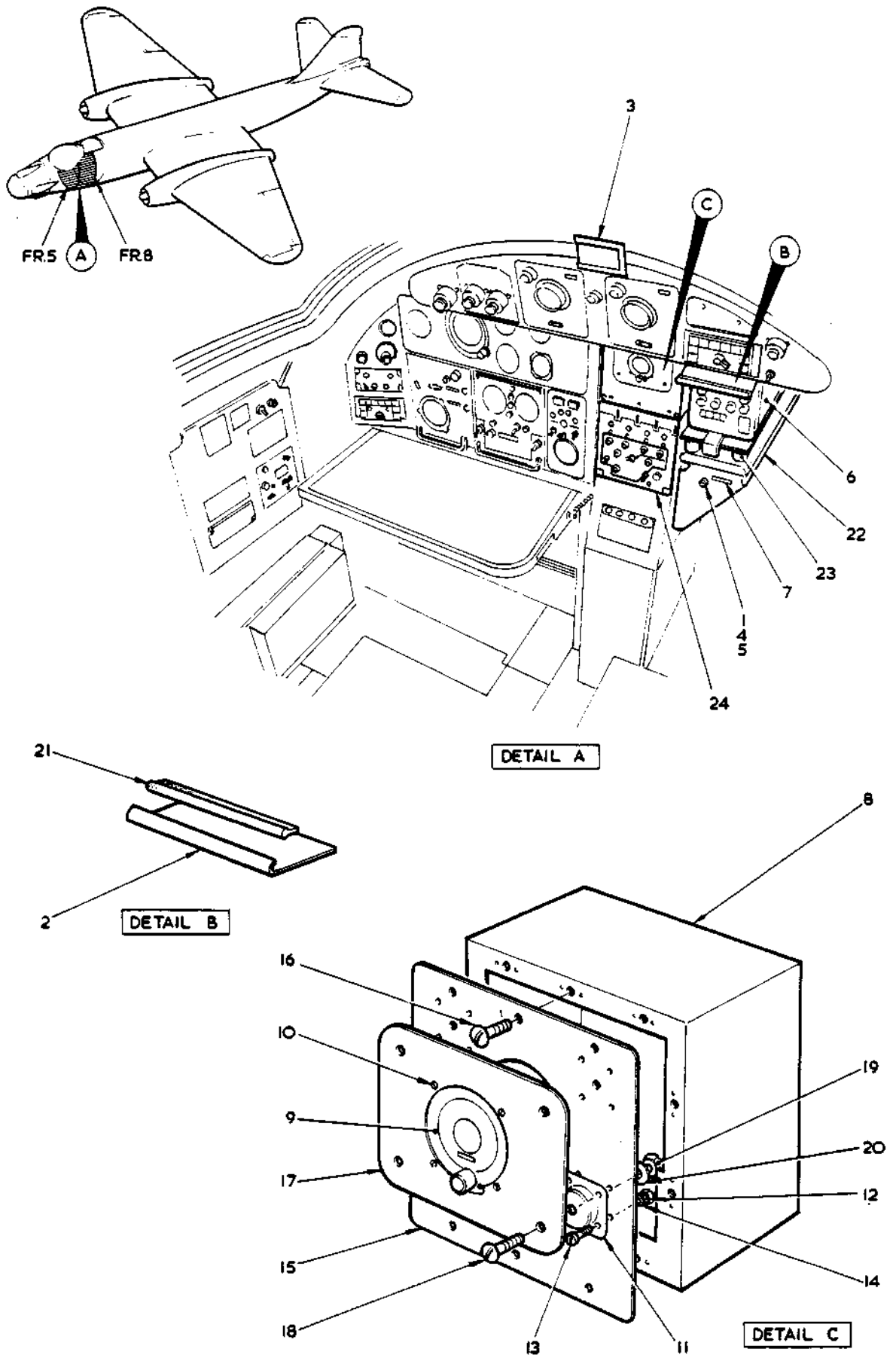


FIG 5A PRESSURE CABIN EQUIPMENT

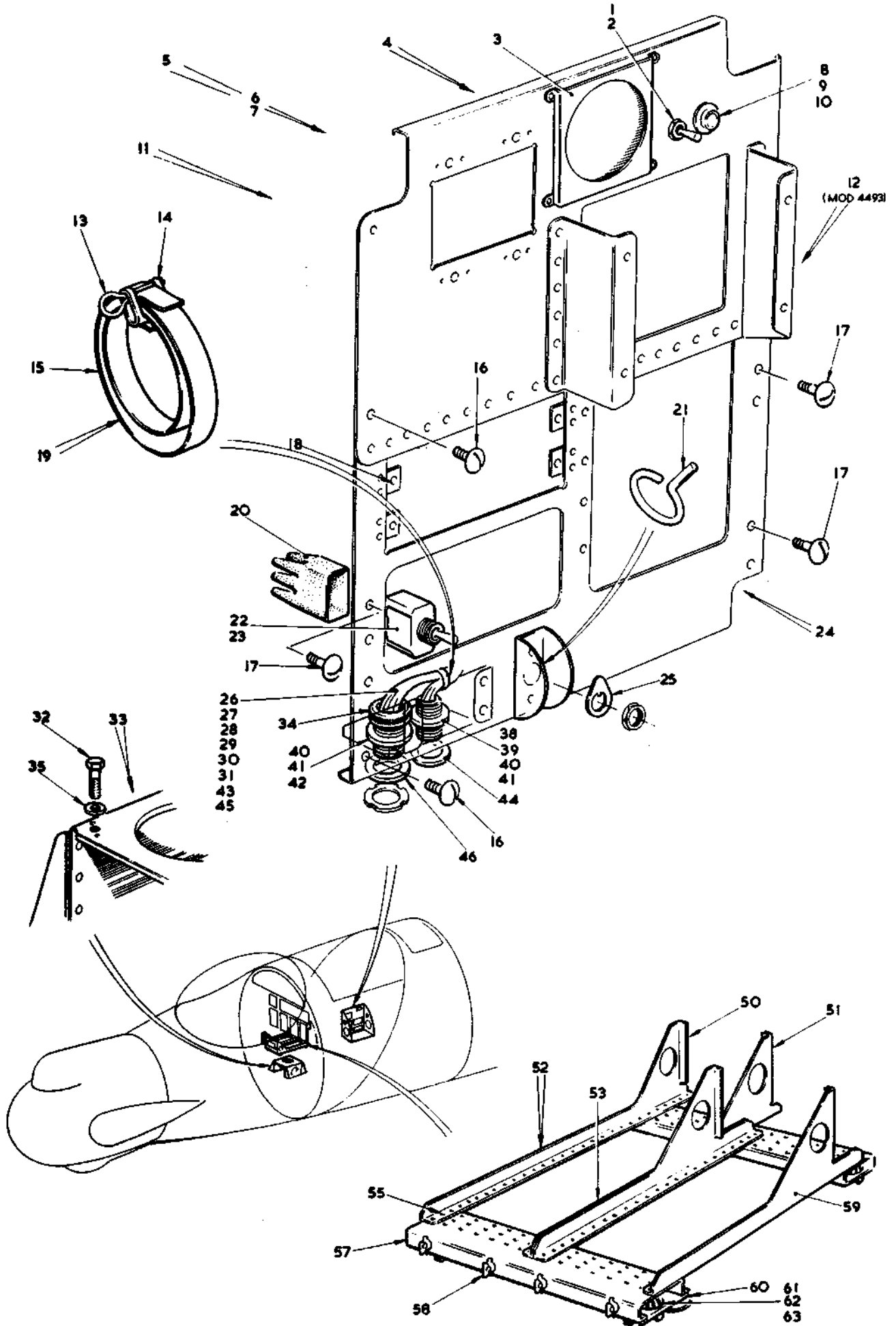


FIG 6 PRESSURE CABIN EQUIPMENT

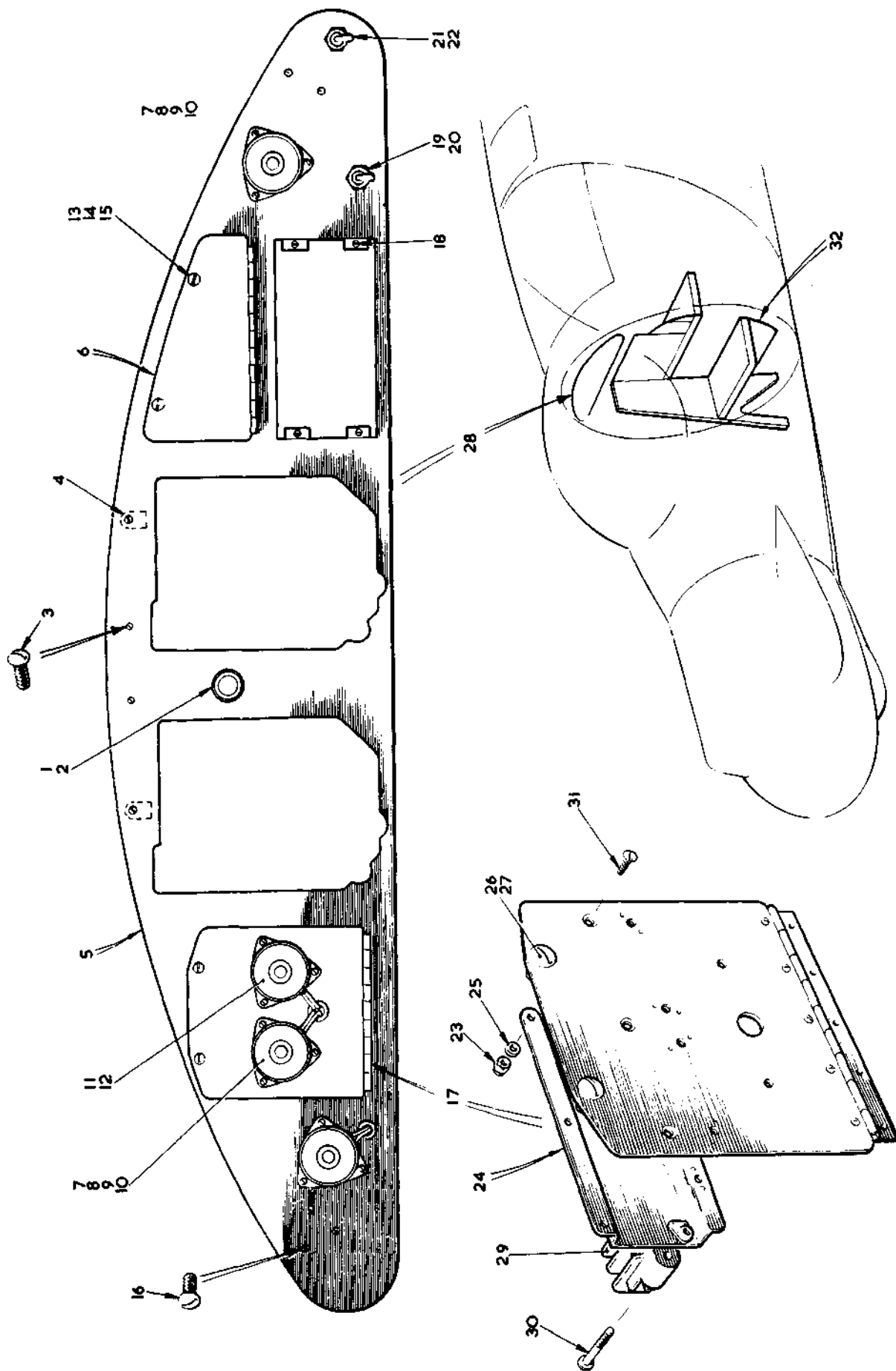


FIG 7 PRESSURE CABIN EQUIPMENT

Restricted

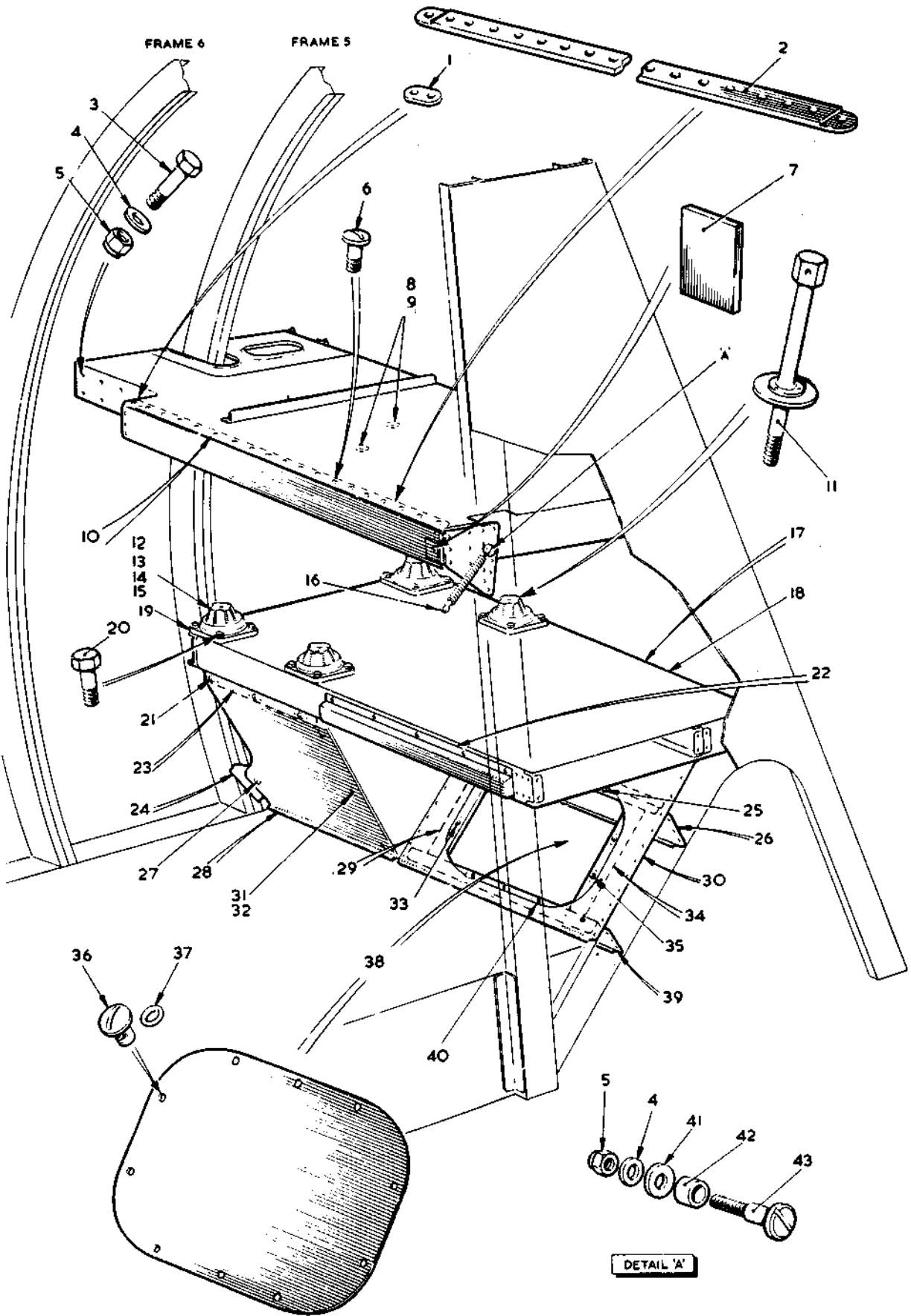


FIG.8 PRESSURE CABIN EQUIPMENT
Restricted

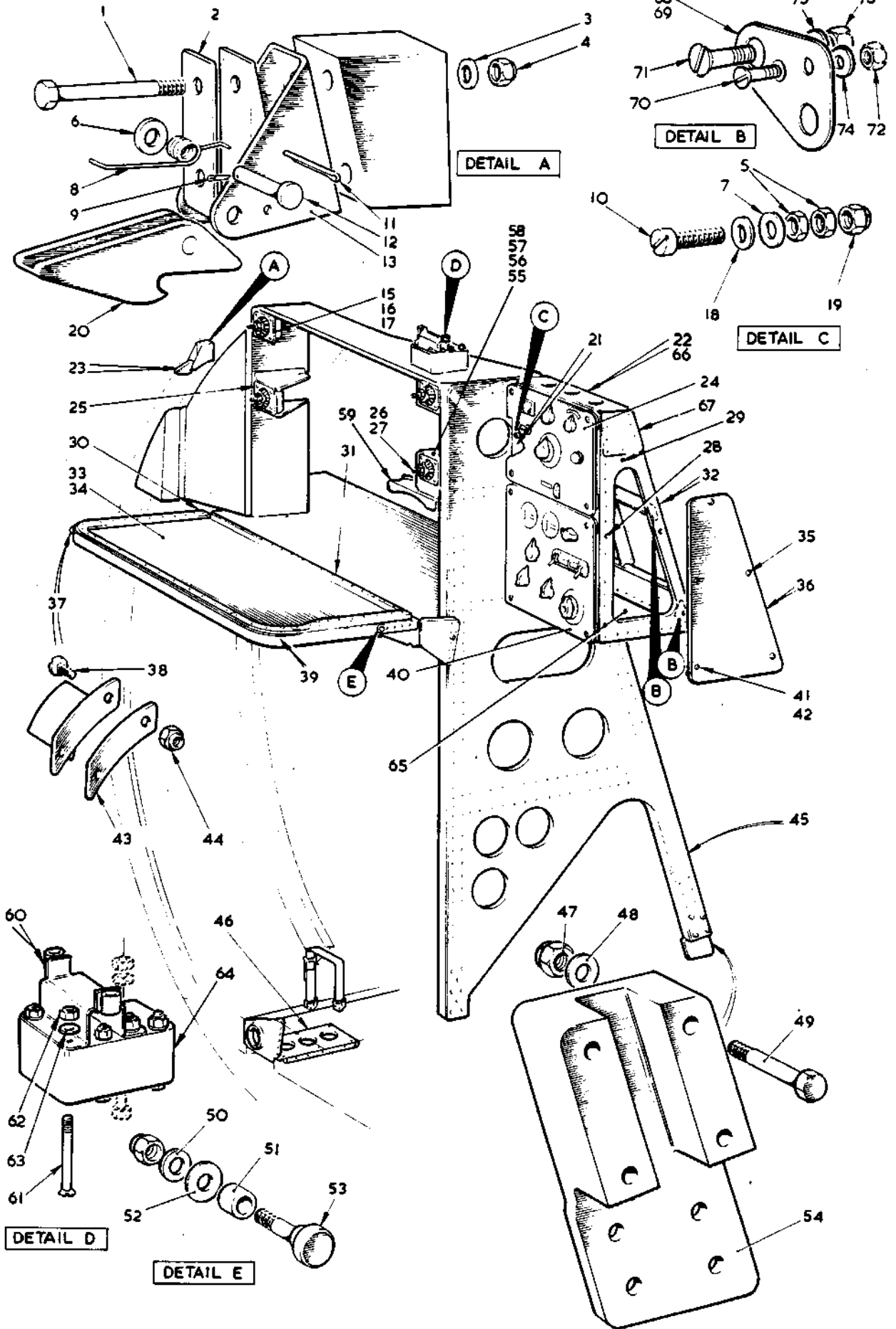


FIG.9 PRESSURE CABIN EQUIPMENT

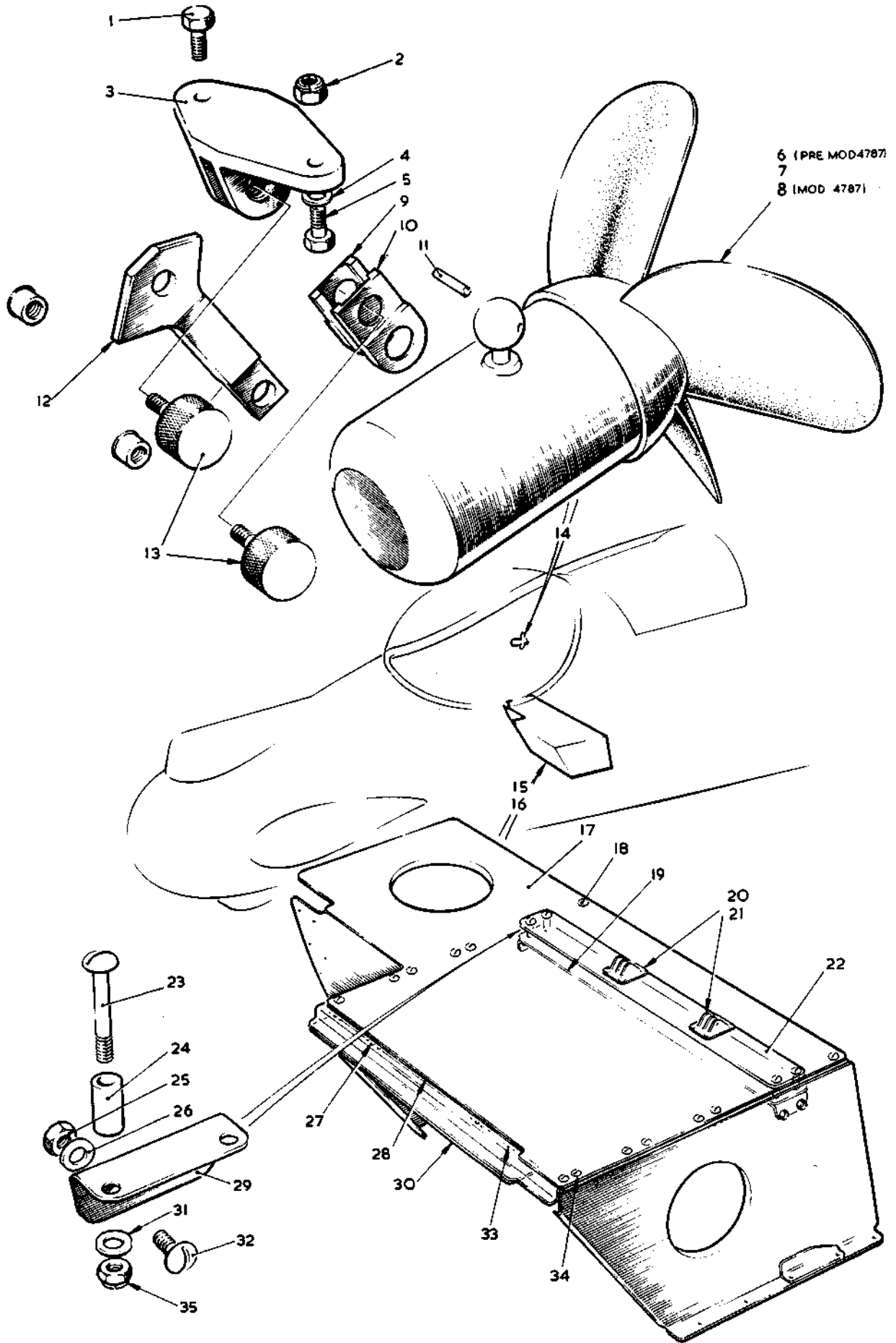


FIG 10. PRESSURE CABIN EQUIPMENT
Restricted

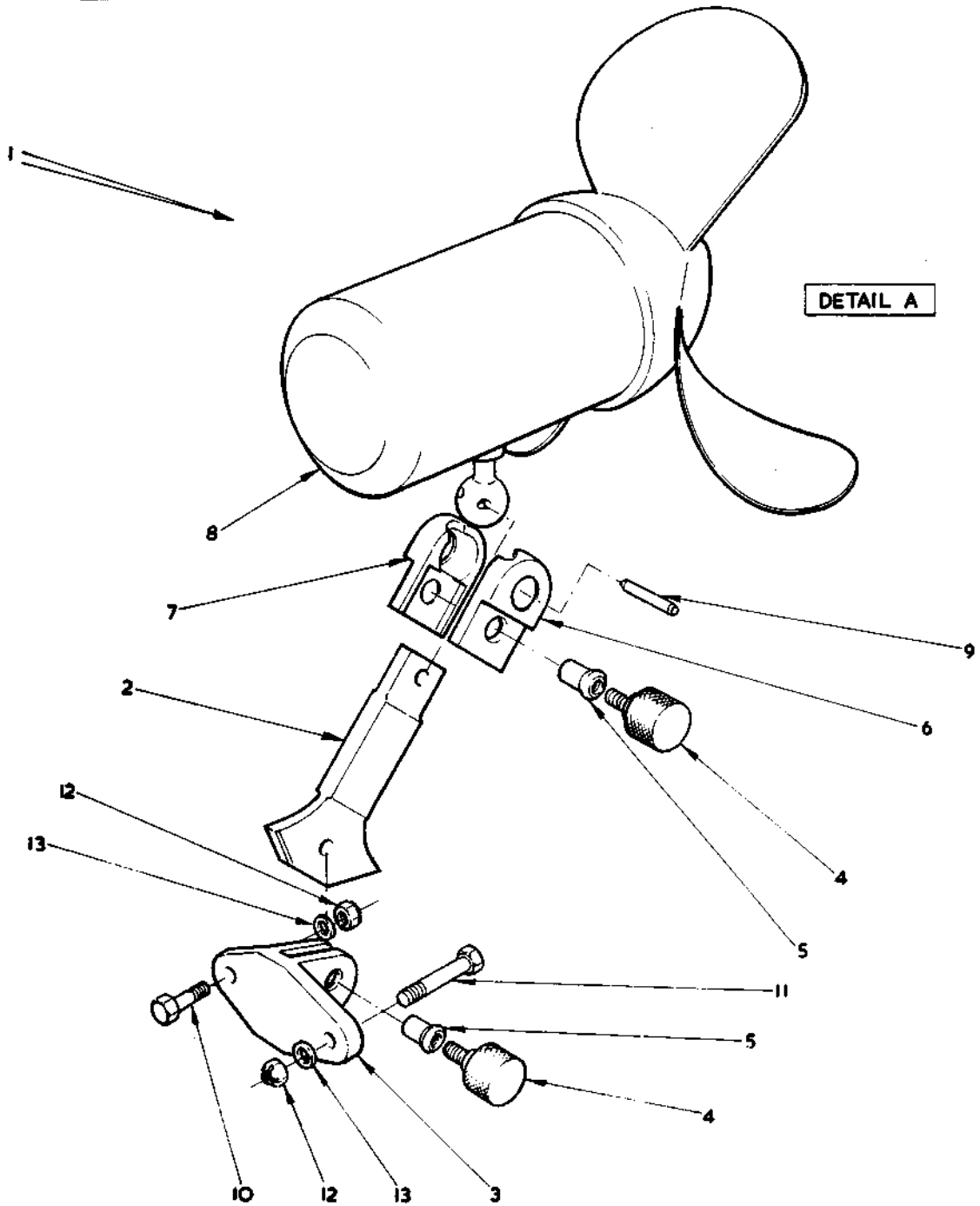
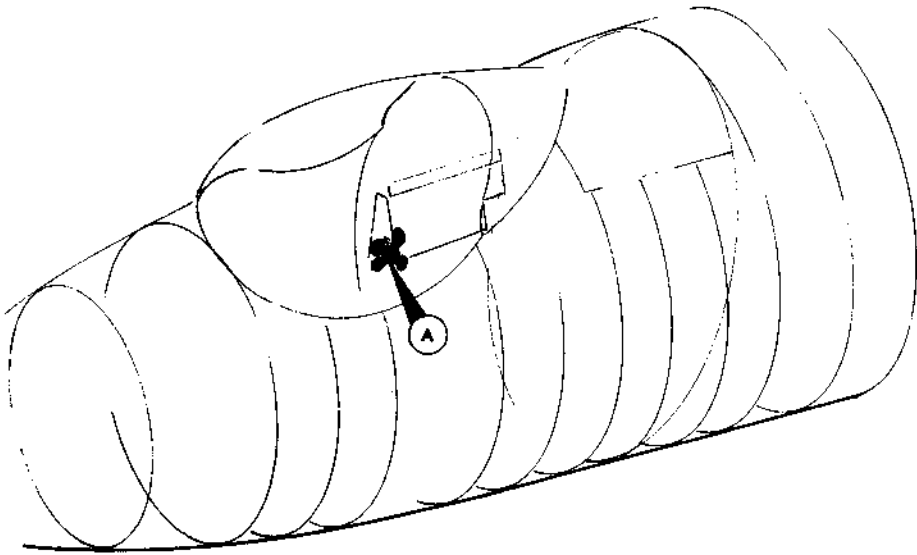


FIG. 10A PRESSURE CABIN EQUIPMENT

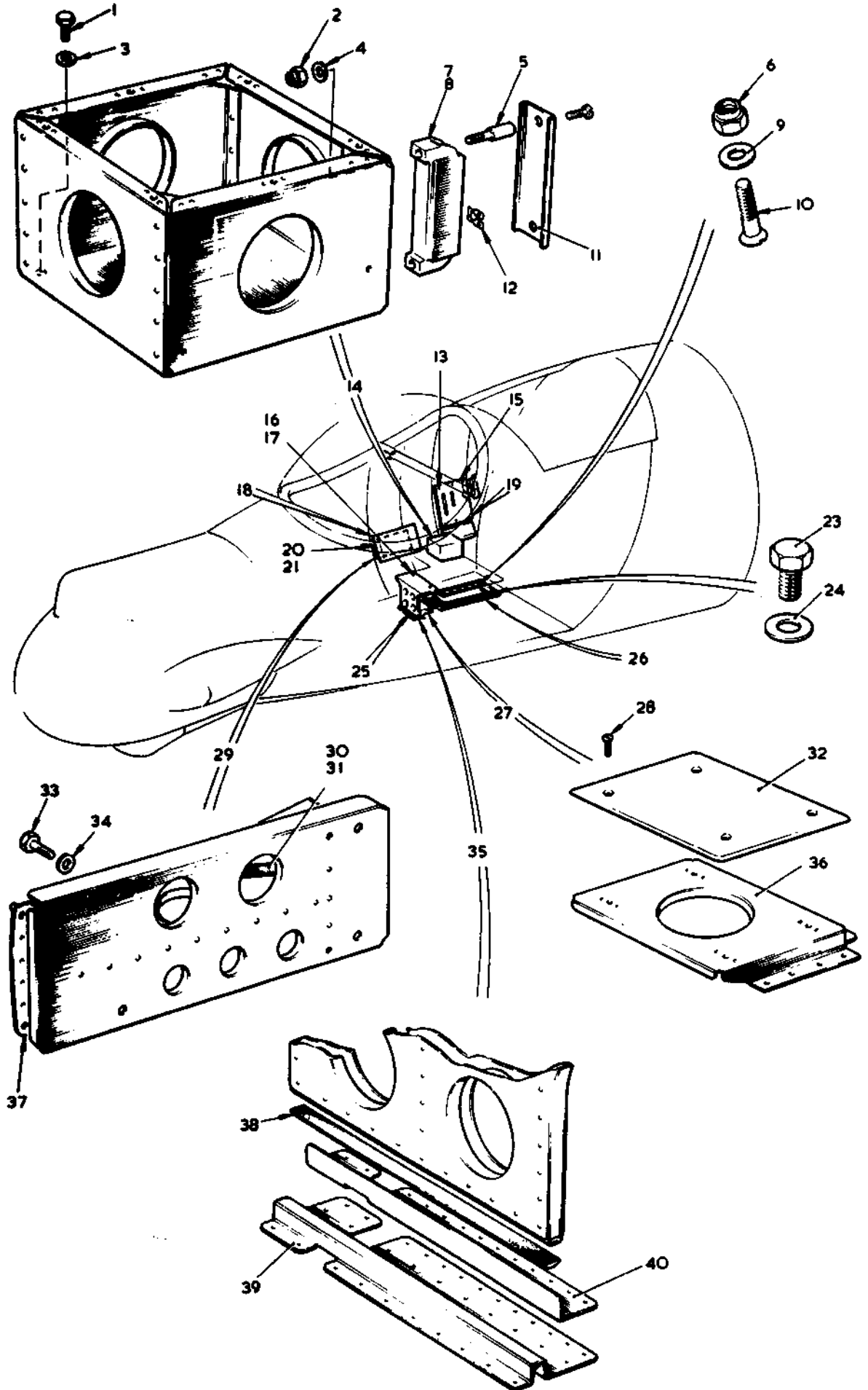


FIG 11 PRESSURE CABIN EQUIPMENT

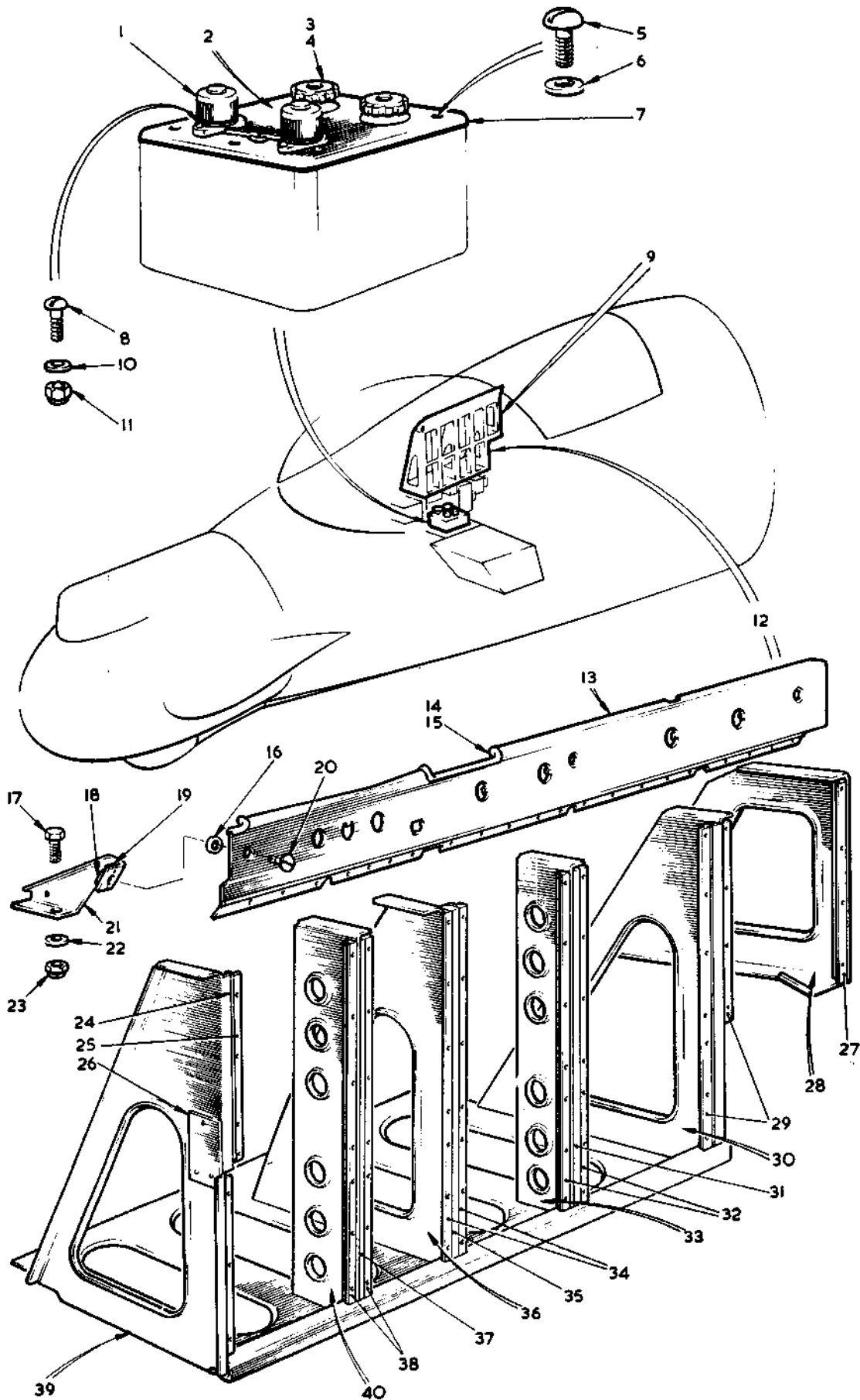


FIG.12 PRESSURE CABIN EQUIPMENT.

Restricted

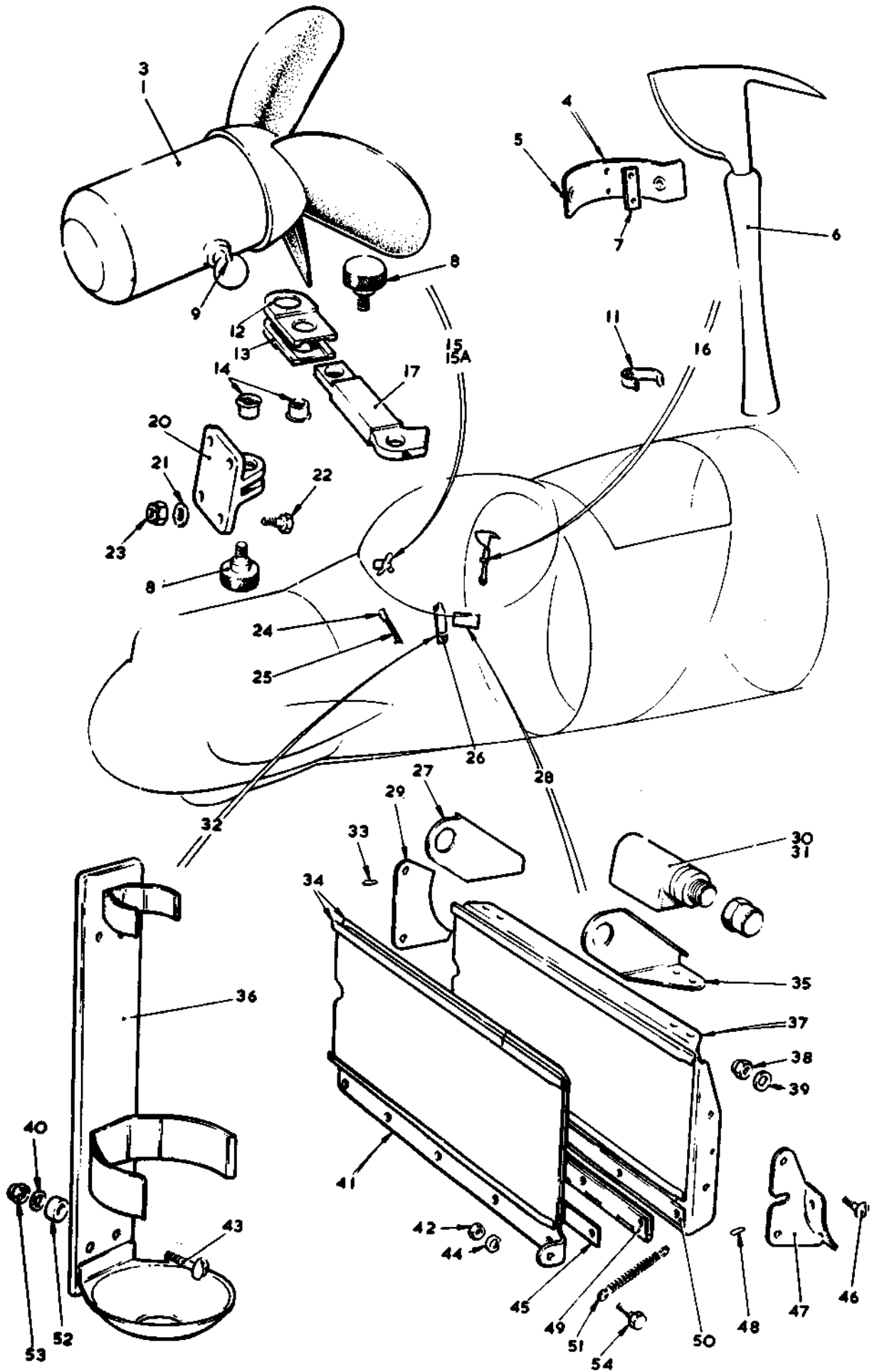


FIG 13 PRESSURE CABIN EQUIPMENT

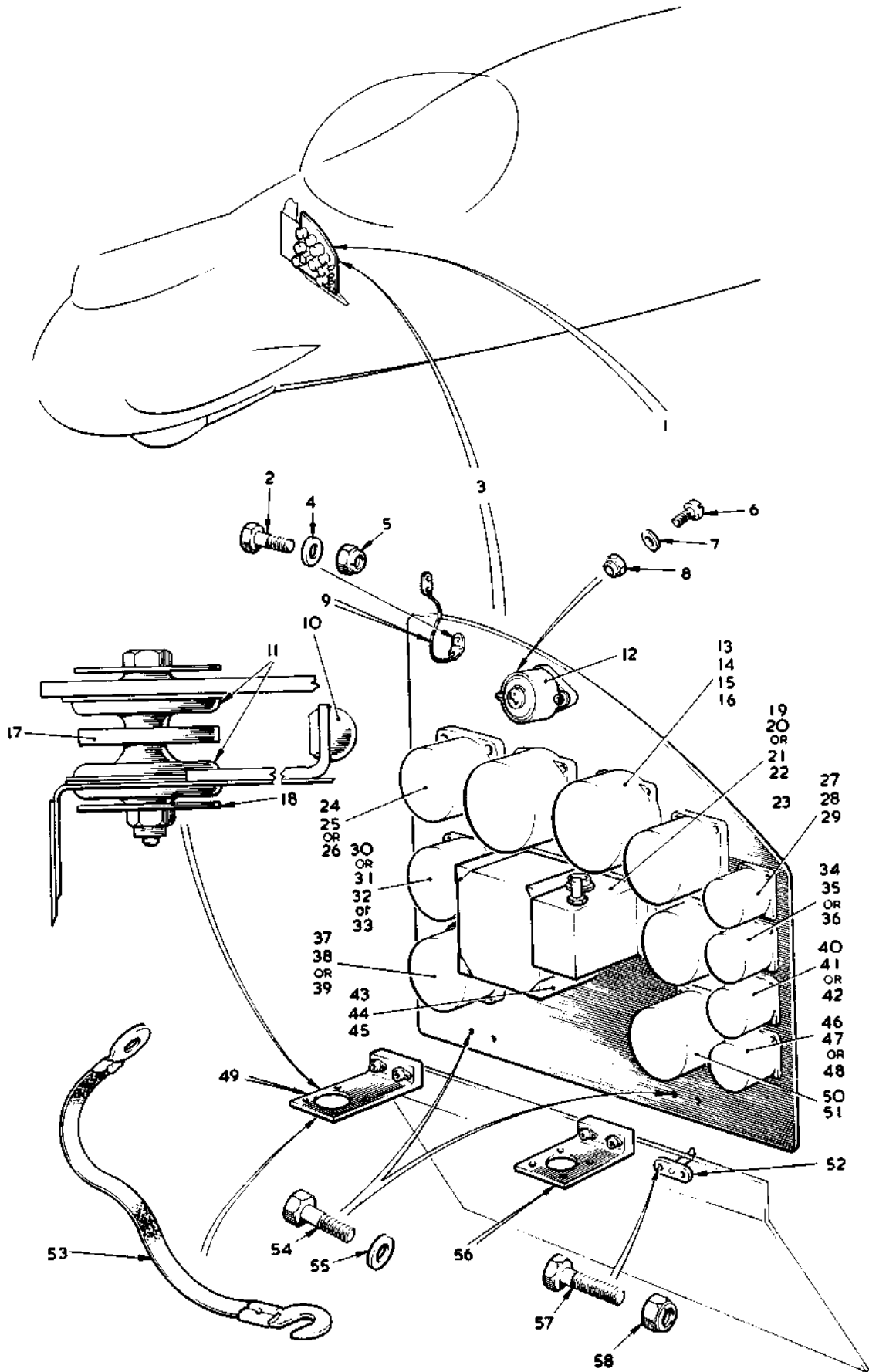


FIG14.PRESSURE CABIN EQUIPMENT
Restricted

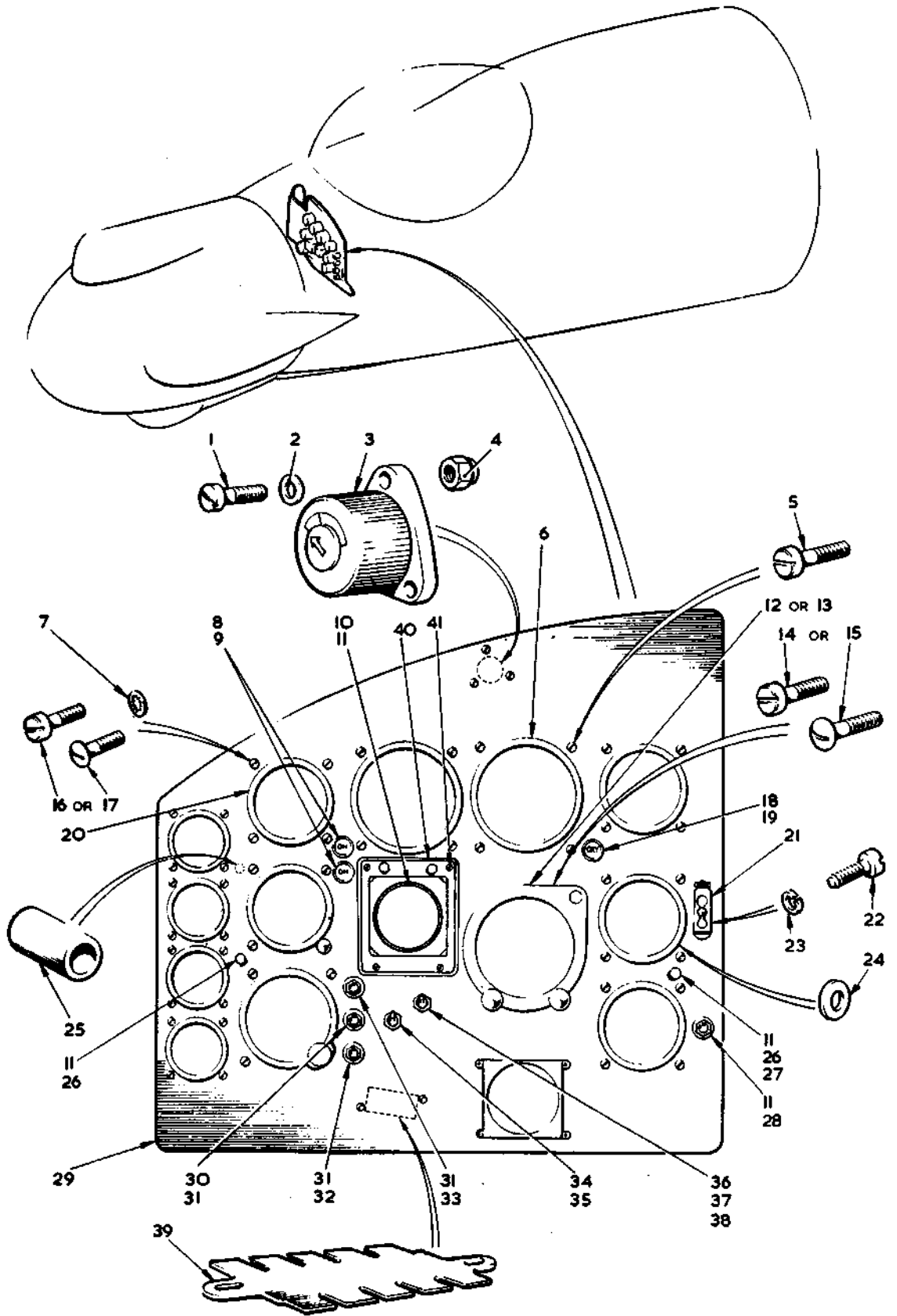


FIG. 15 PRESSURE CABIN EQUIPMENT
Restricted

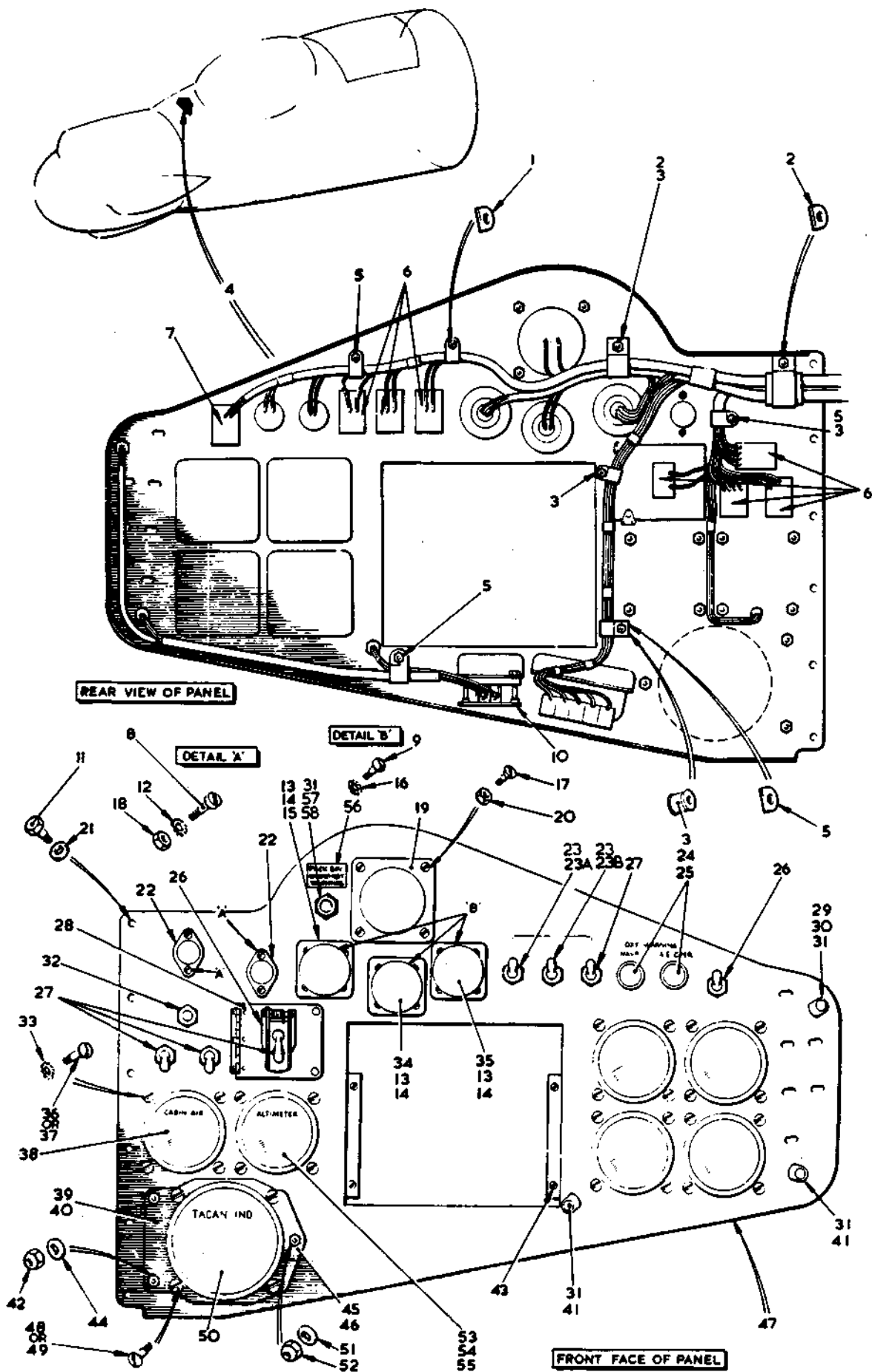


FIG 16 PRESSURE CABIN EQUIPMENT

T.MK 17 SECT F

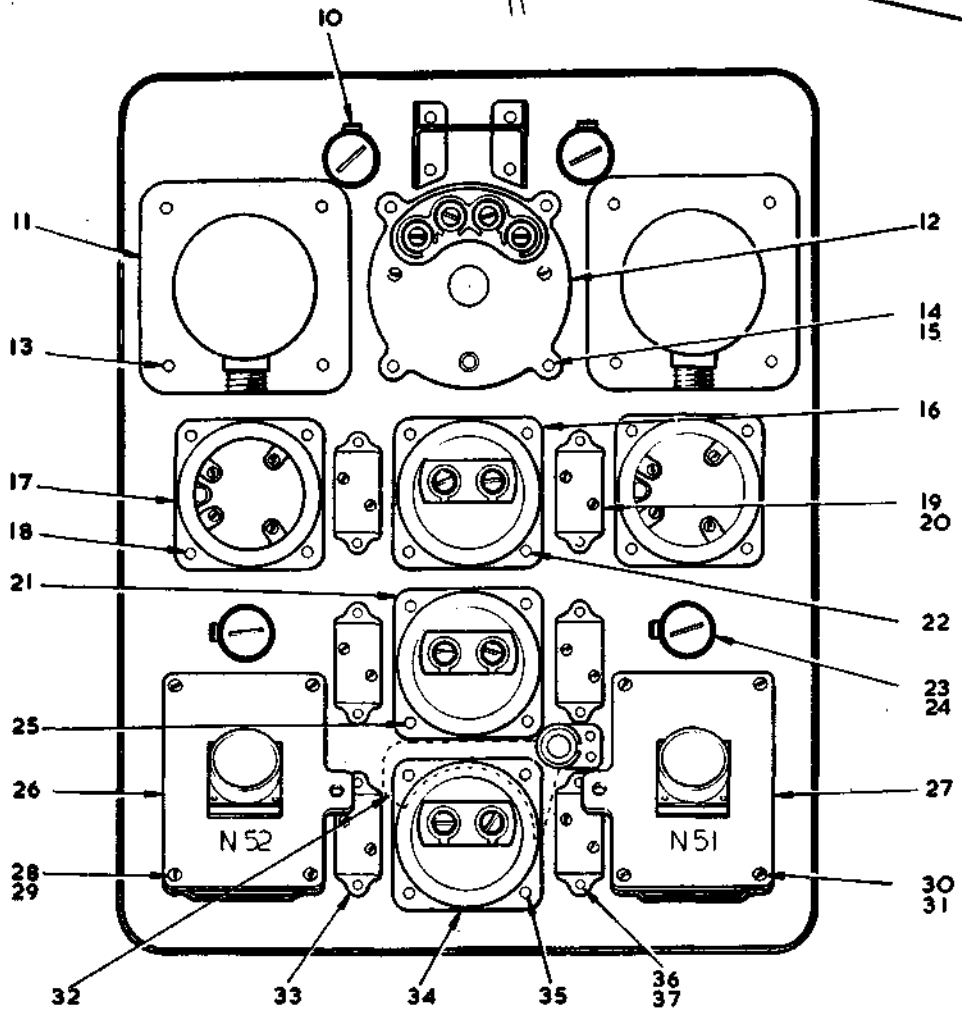
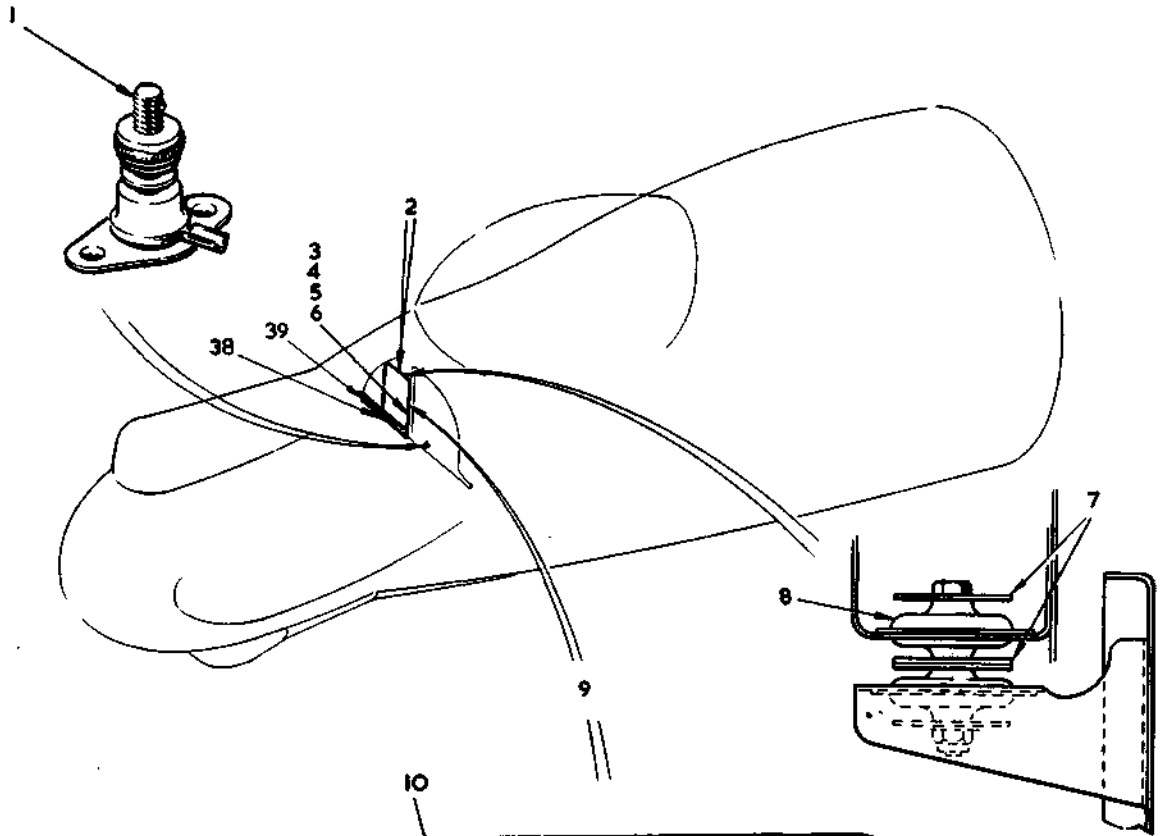


FIG. 17 PRESSURE CABIN EQUIPMENT
Restricted

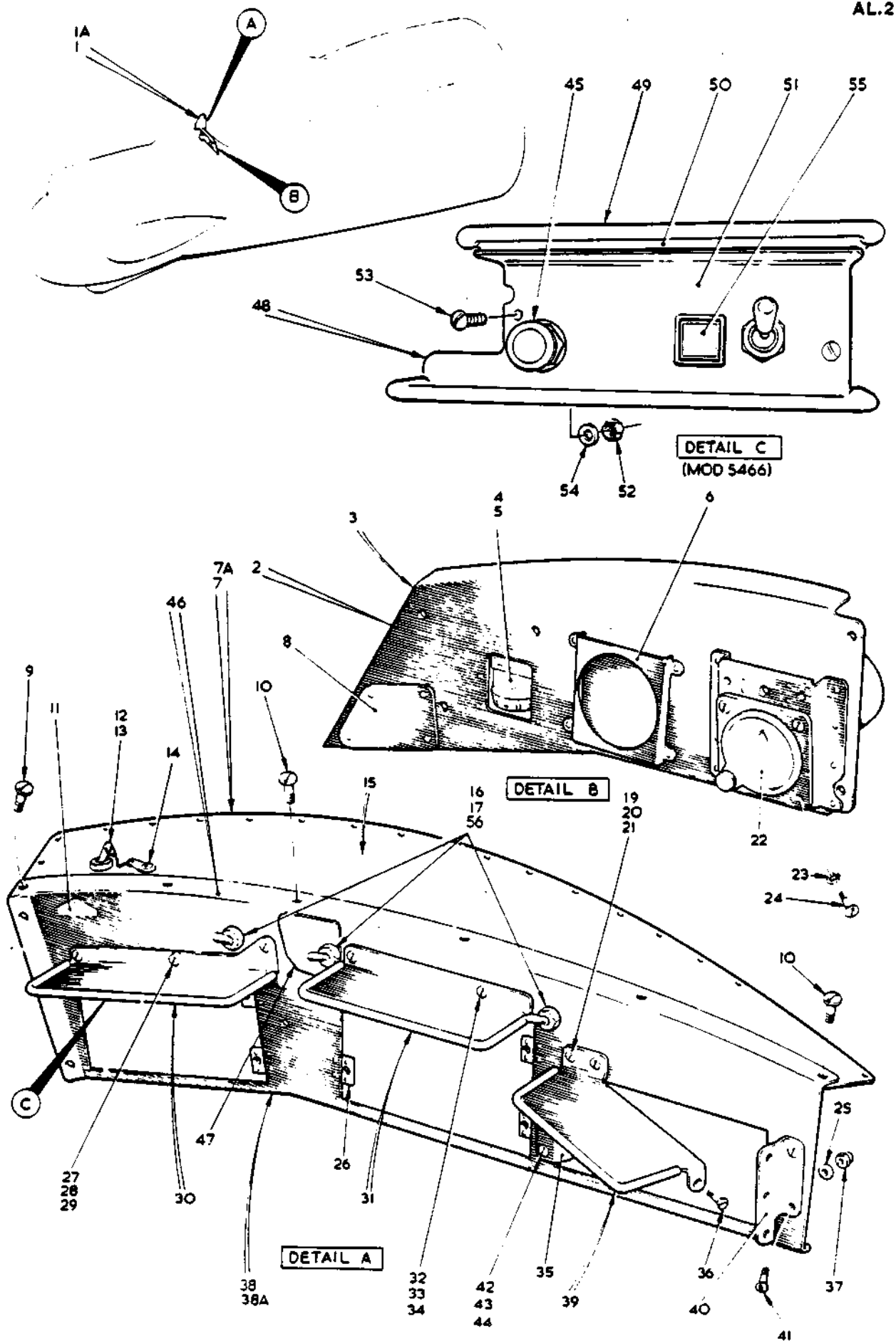


FIG.18 PRESSURE CABIN EQUIPMENT

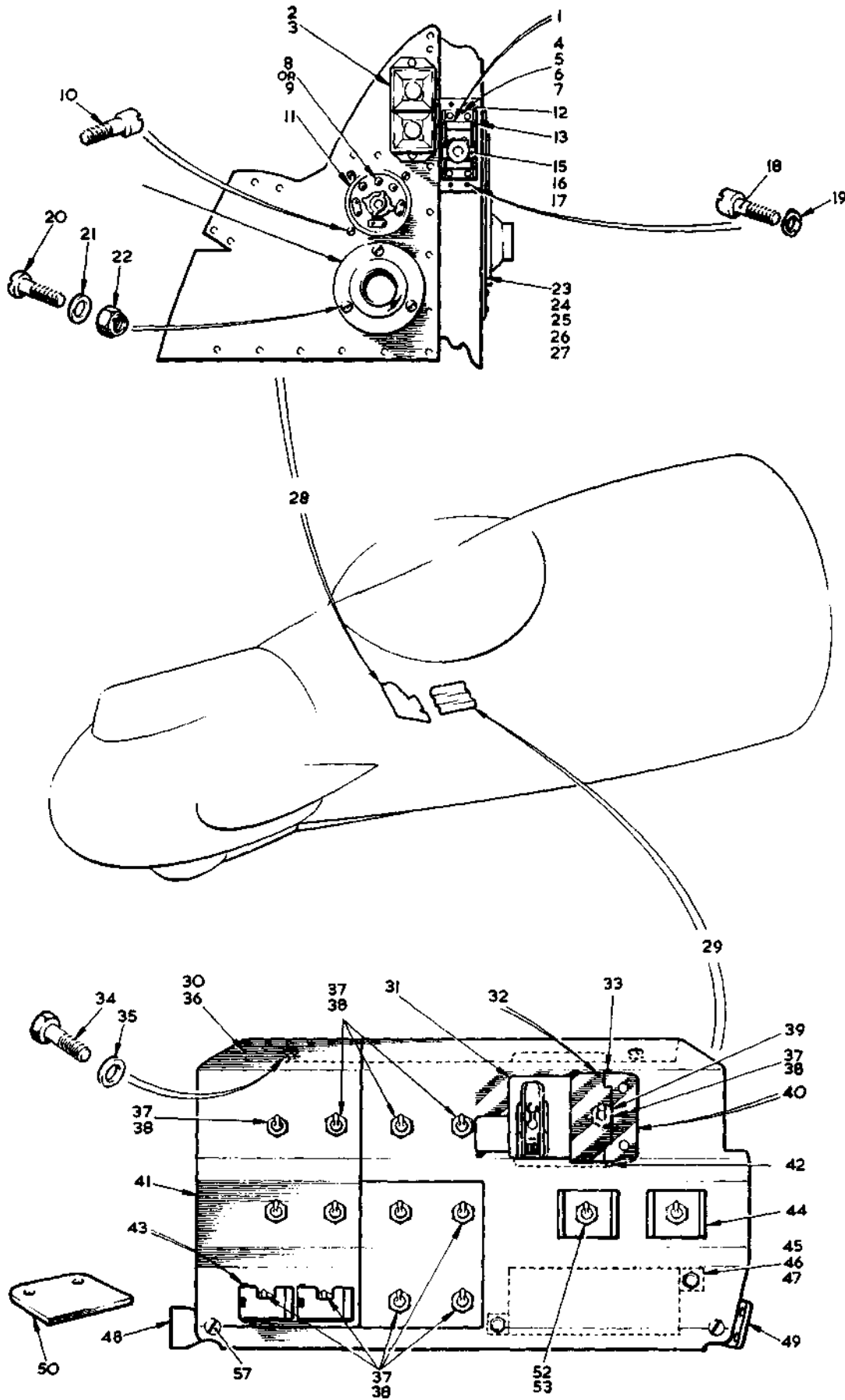


FIG.19 PRESSURE CABIN EQUIPMENT

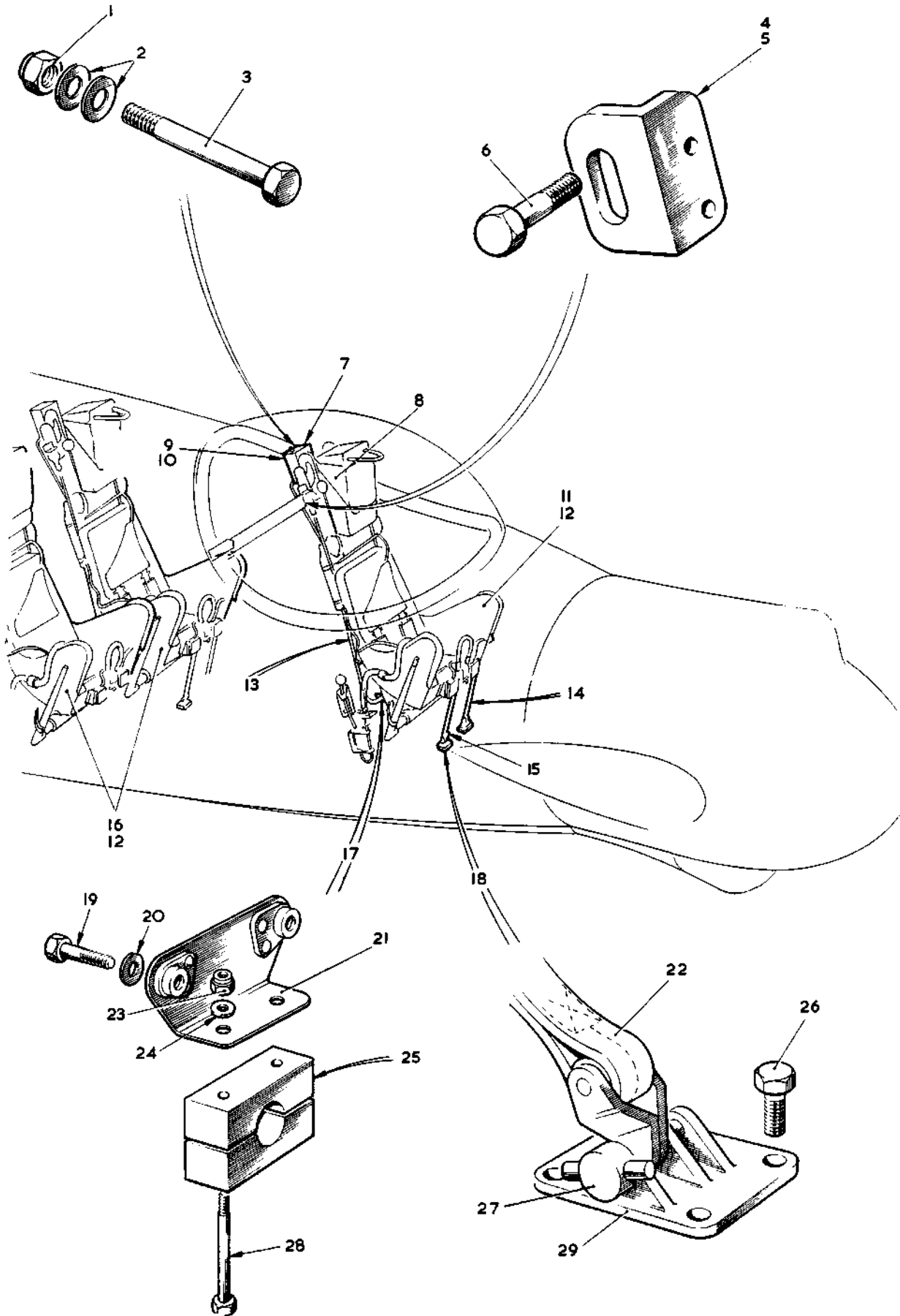


FIG.20 PRESSURE CABIN EQUIPMENT
Restricted

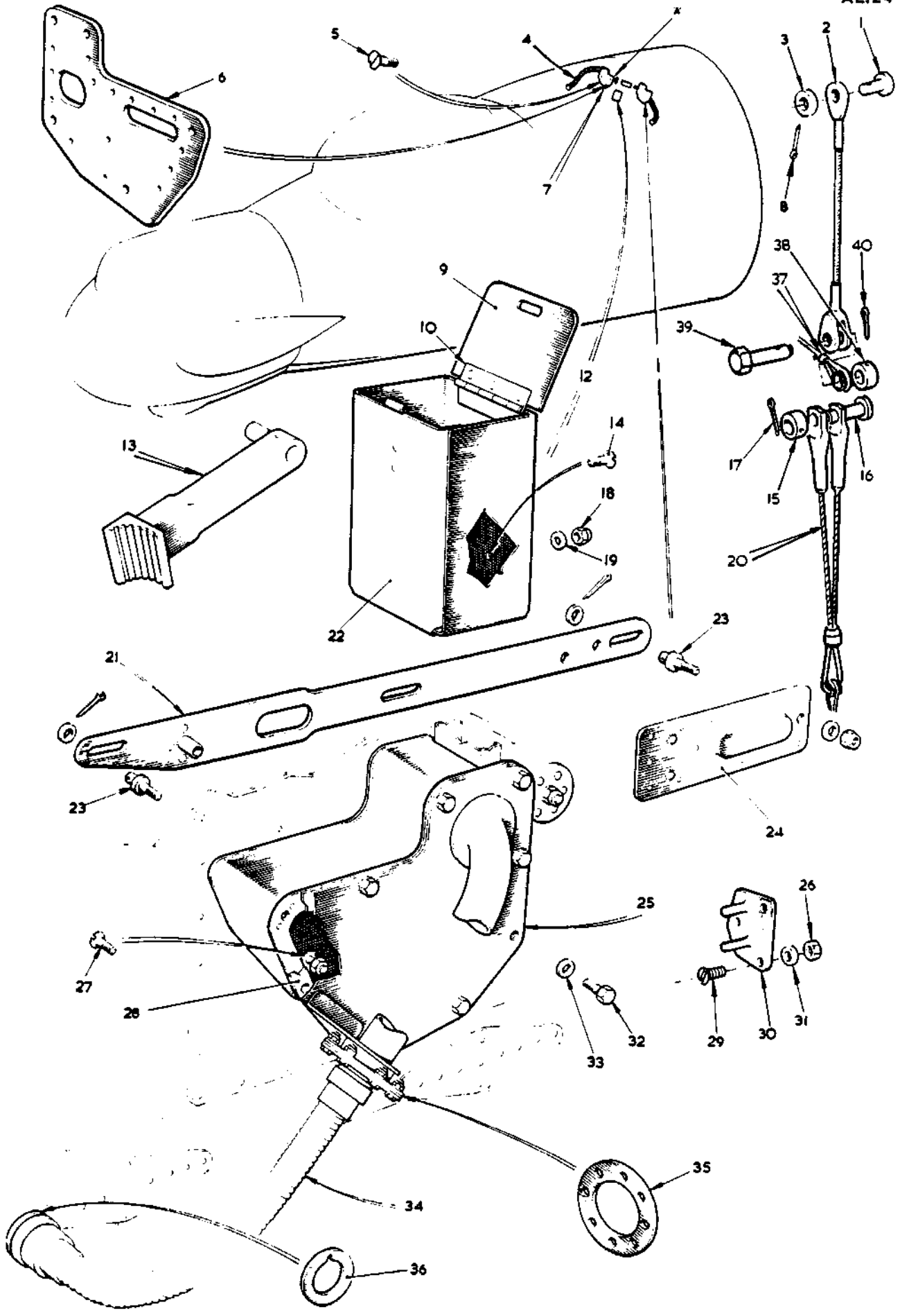


FIG. 21 PRESSURE CABIN EQUIPMENT

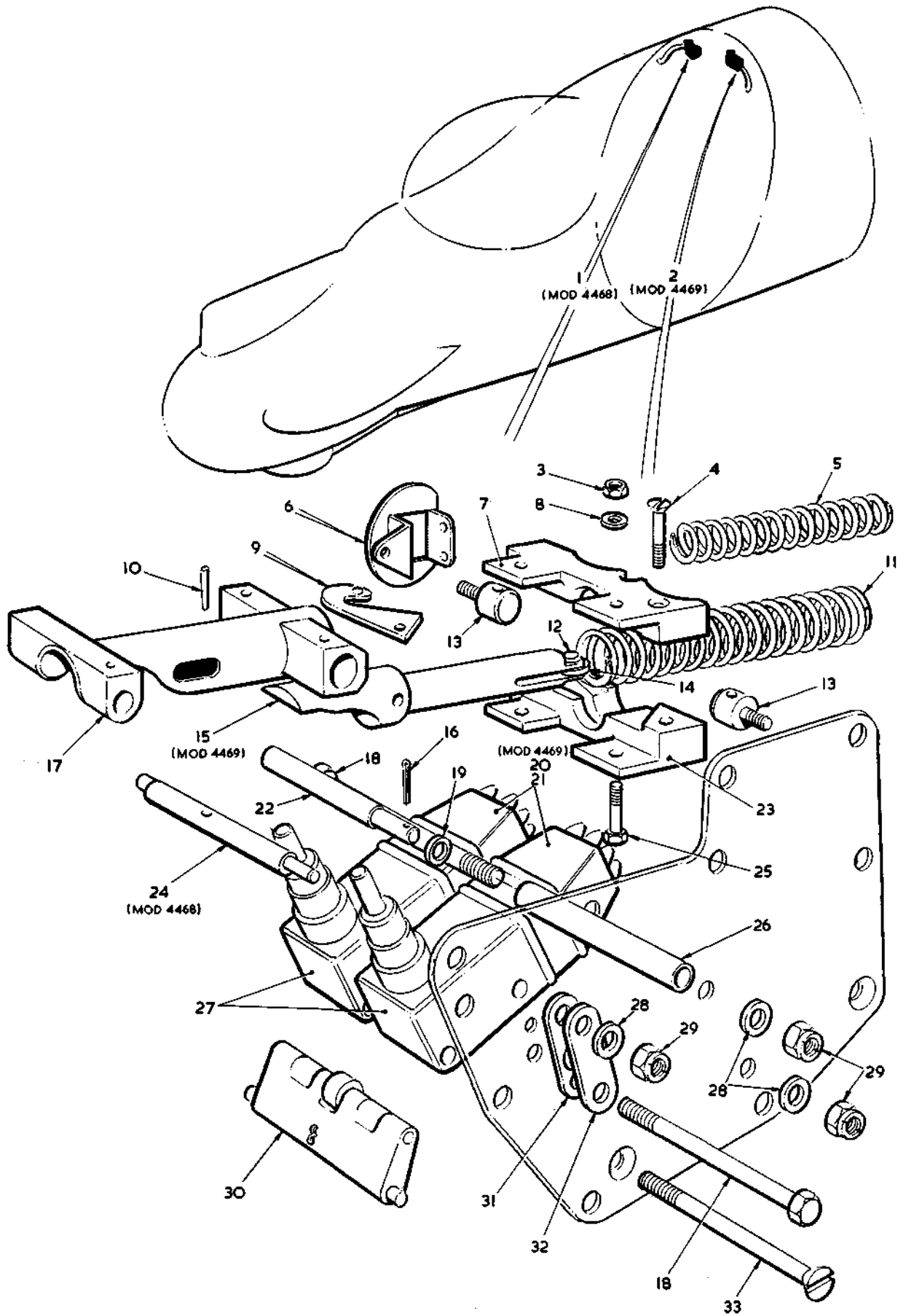


FIG.22 PRESSURE CABIN EQUIPMENT
Restricted

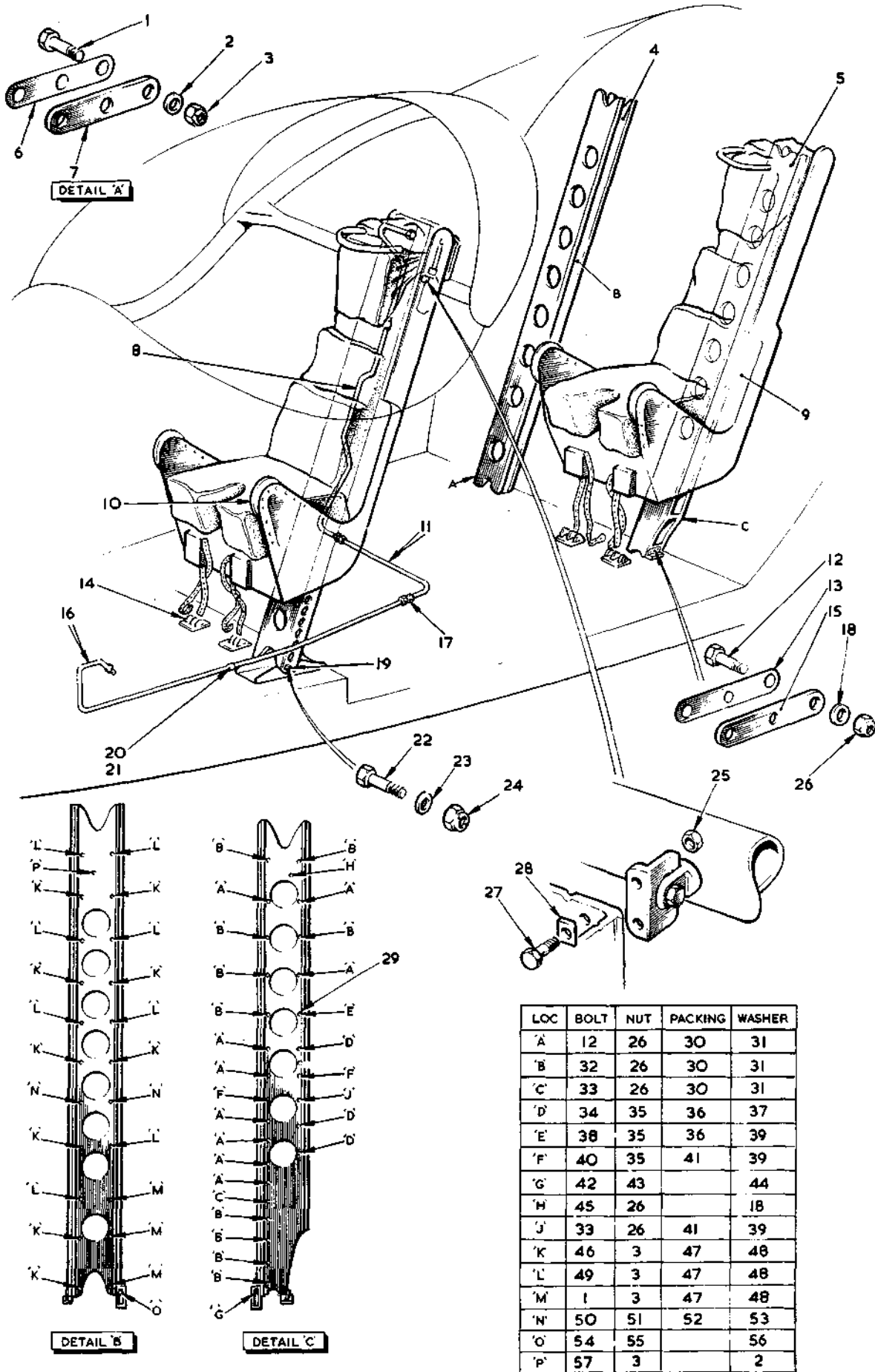
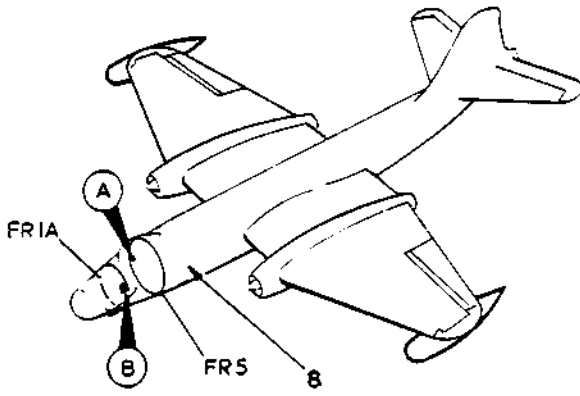
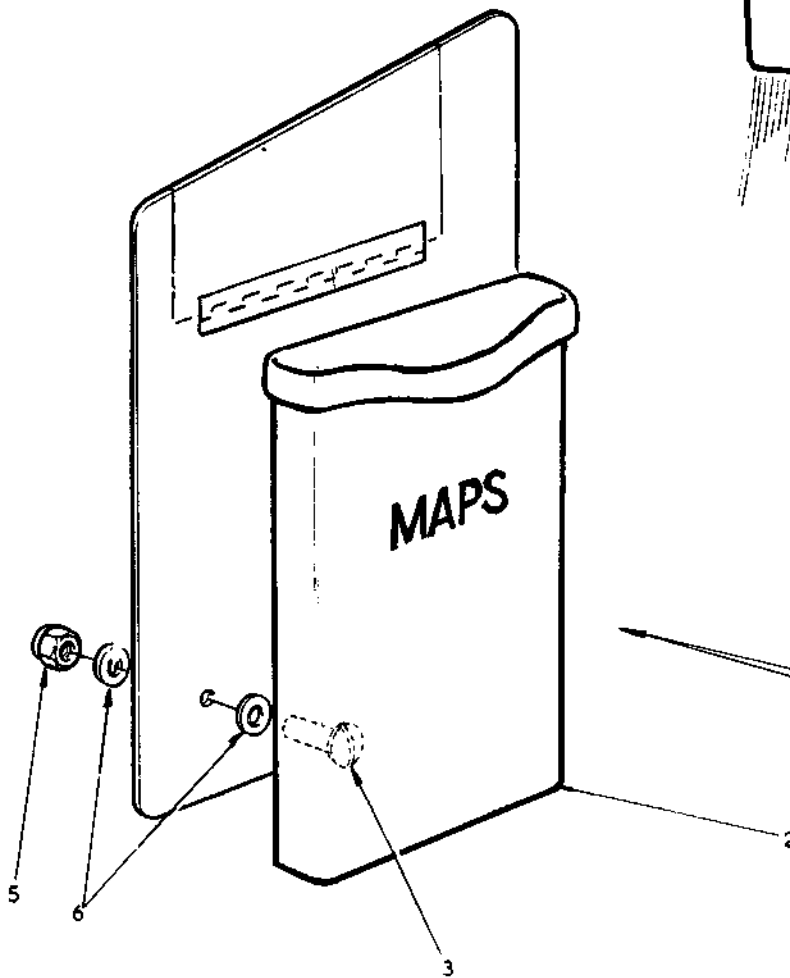
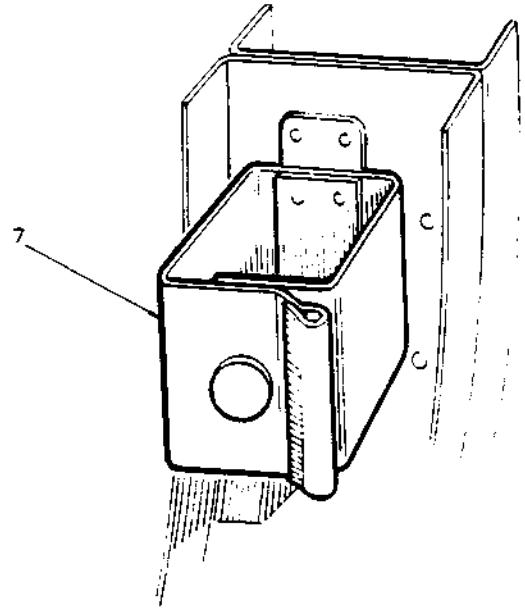


FIG.23 PRESSURE CABIN EQUIPMENT
Restricted



DETAIL A



DETAIL B

FIG 24 PRESSURE CABIN EQUIPMENT

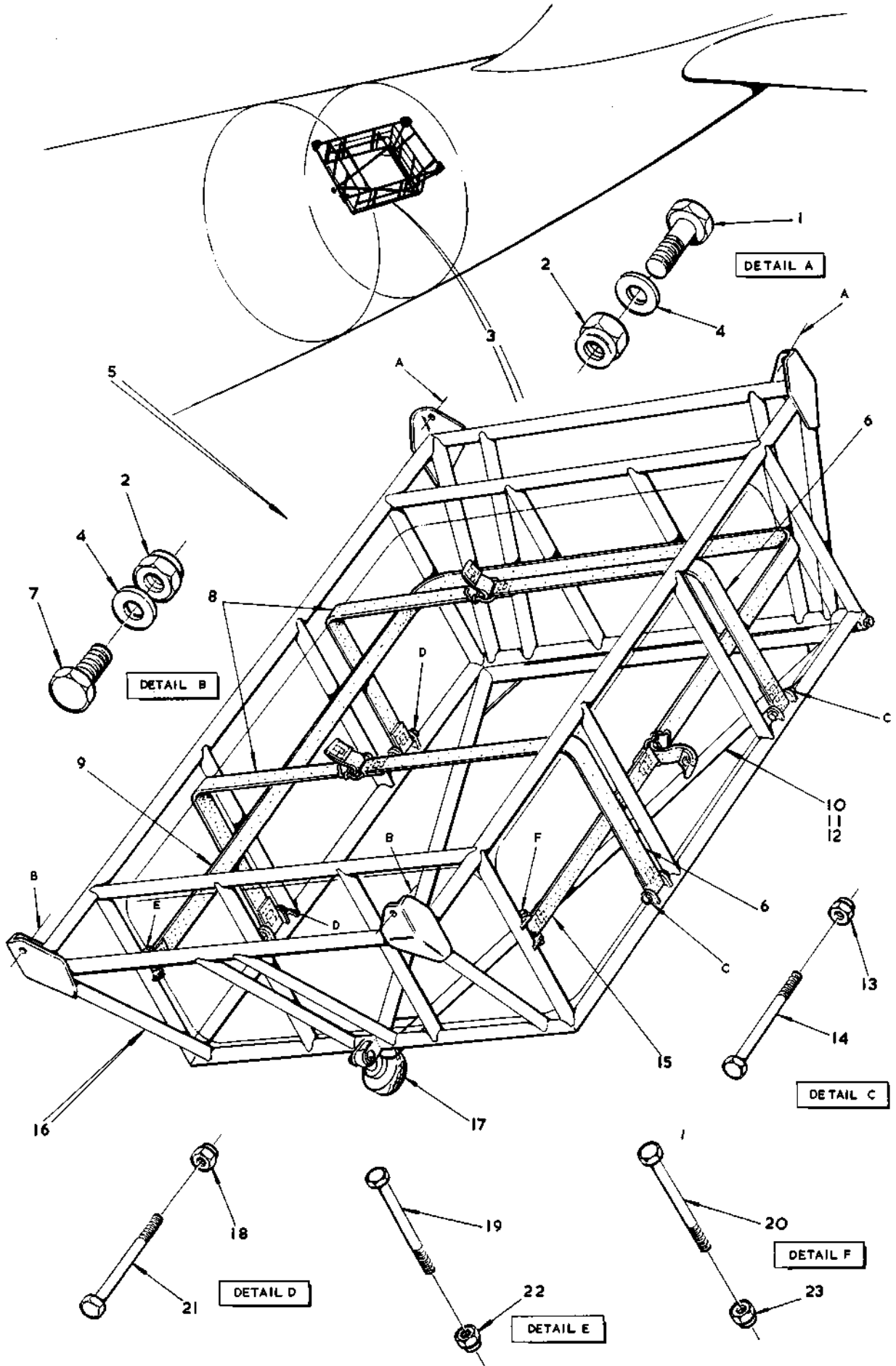


FIG. 25 EQUIPMENT IN REAR FUSELAGE
Restricted

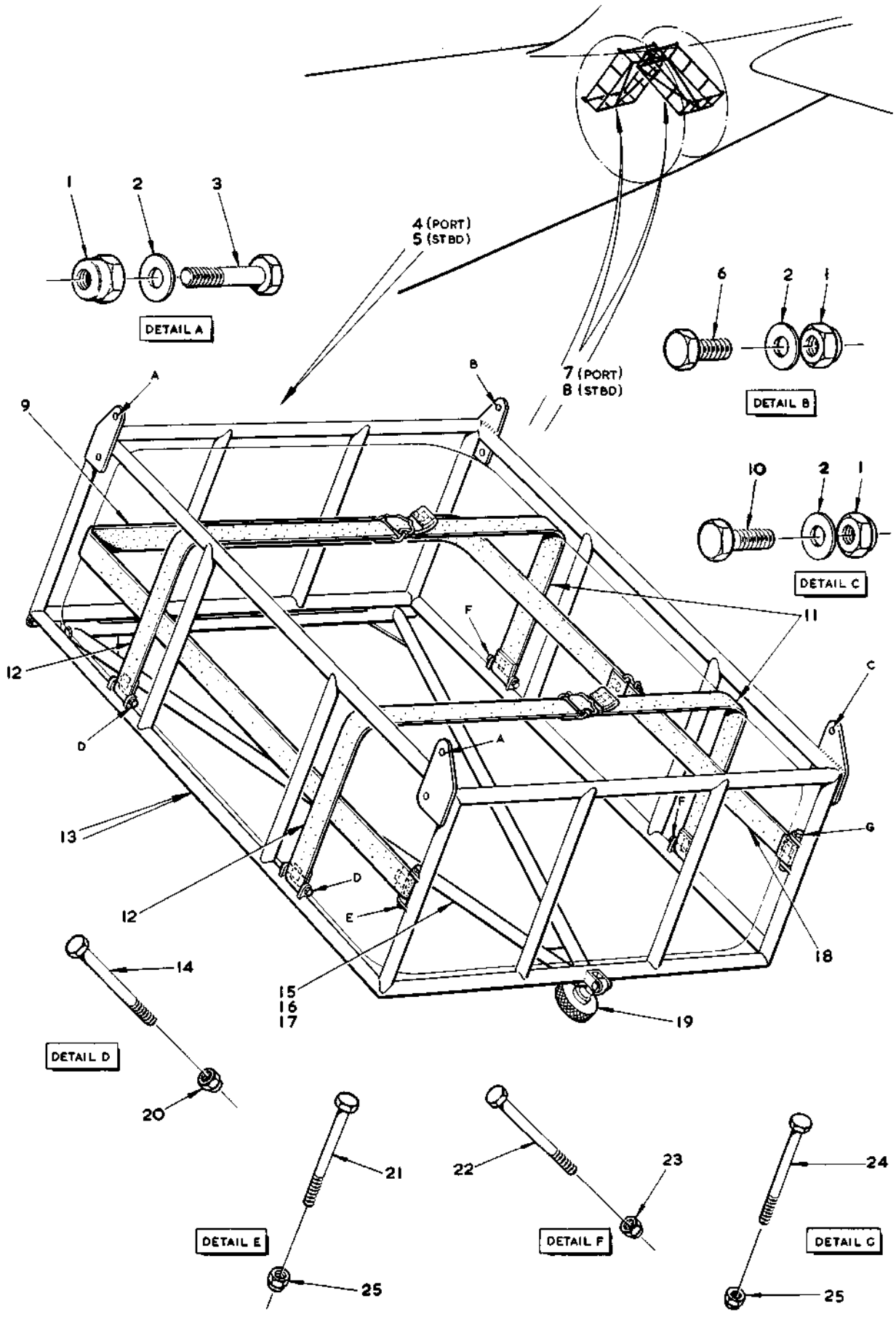


FIG.26 EQUIPMENT IN REAR FUSELAGE

Restricted

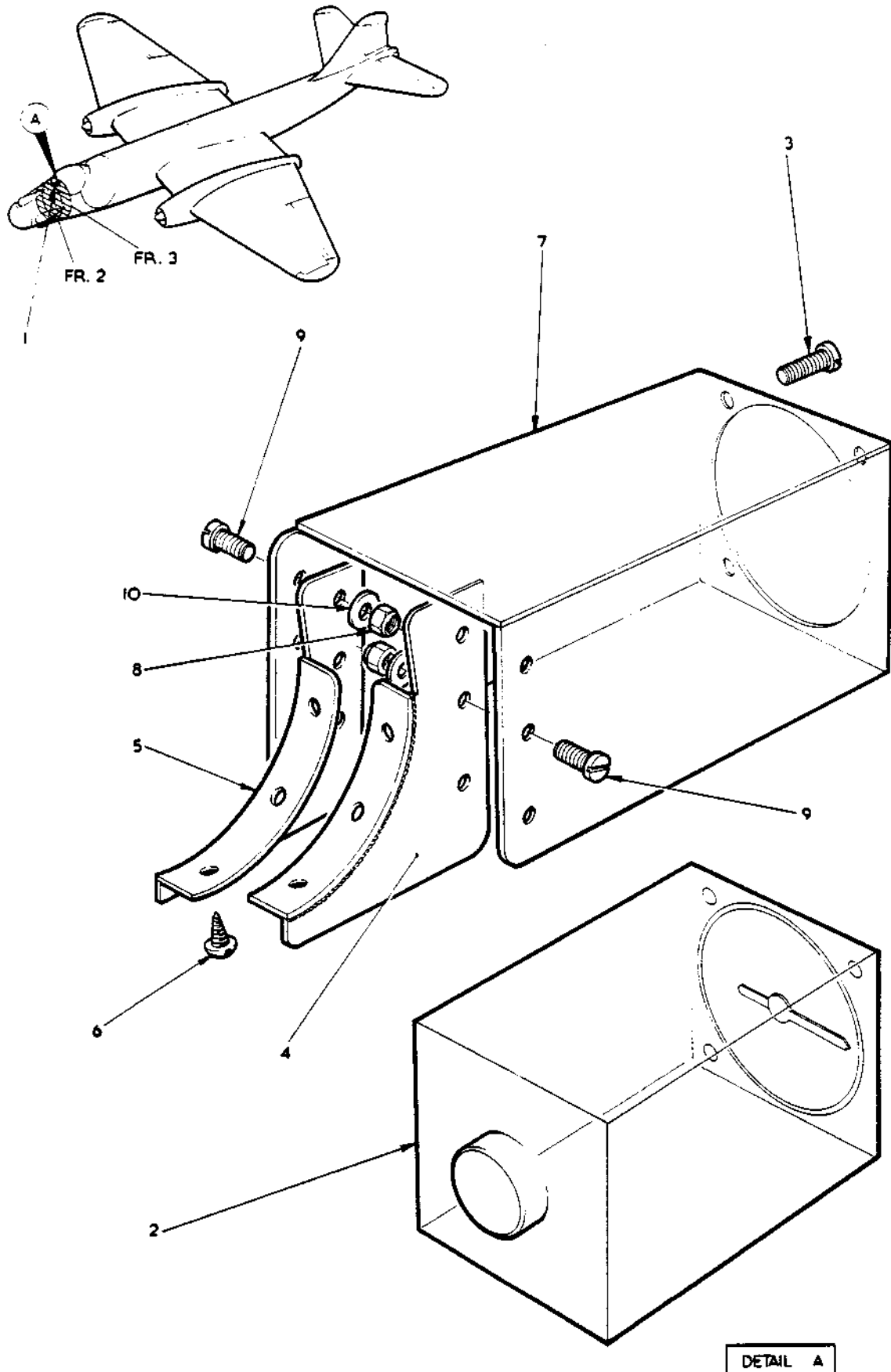


FIG 27 PRESSURE CABIN EQUIPMENT

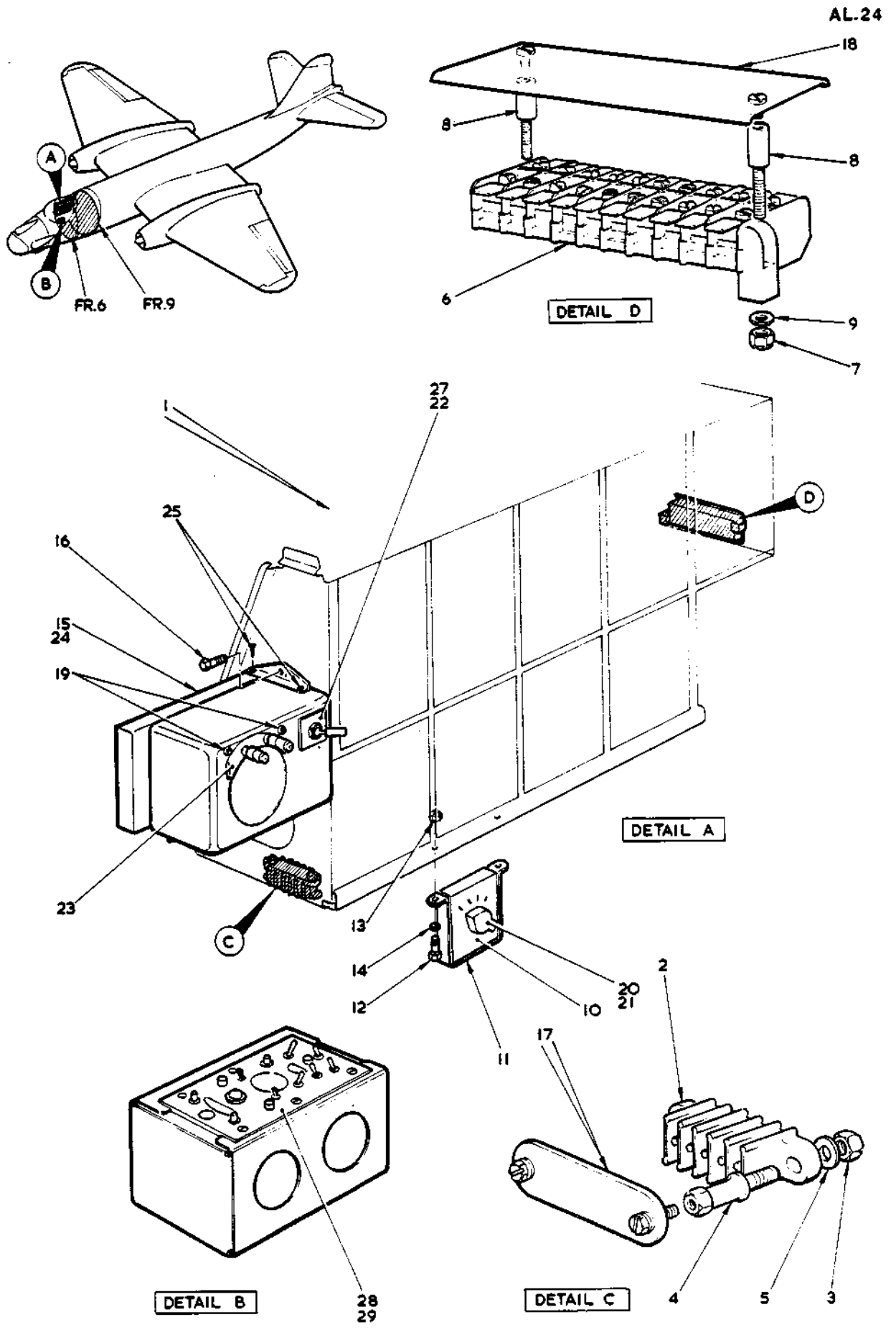


FIG 28 PRESSURE CABIN EQUIPMENT

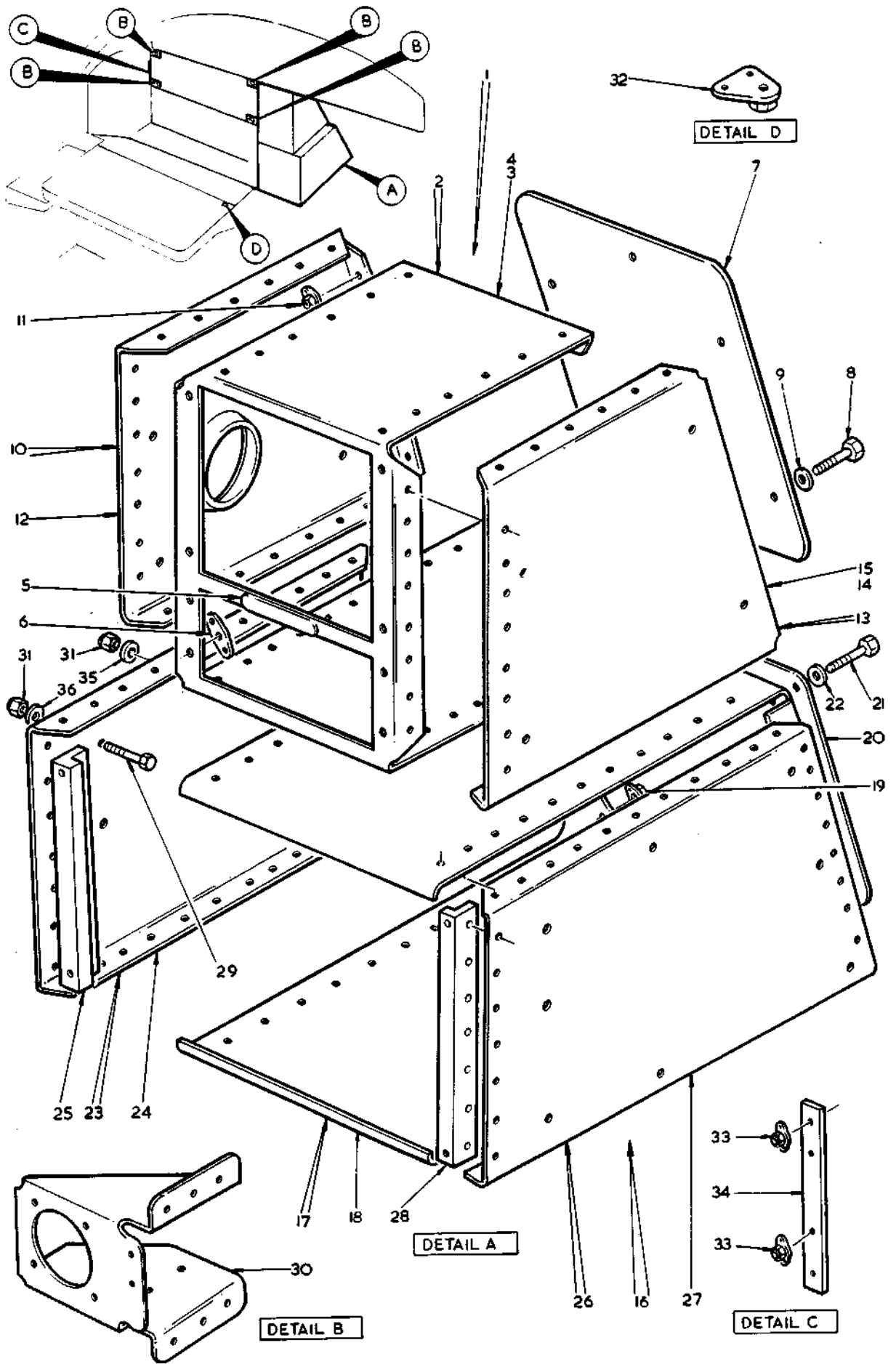


FIG 29 PRESSURE CABIN EQUIPMENT

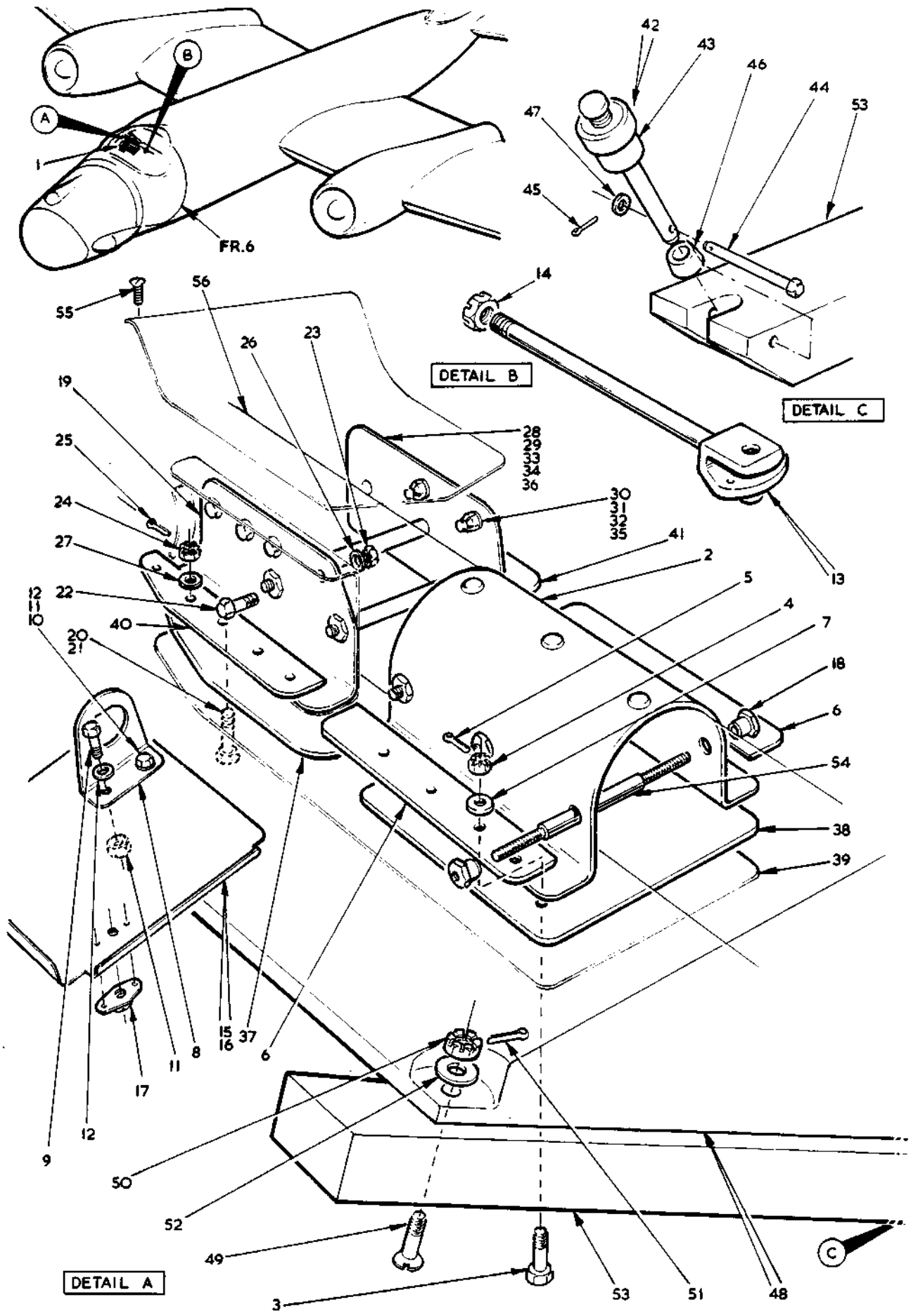


FIG.30 PRESSURE CABIN EQUIPMENT

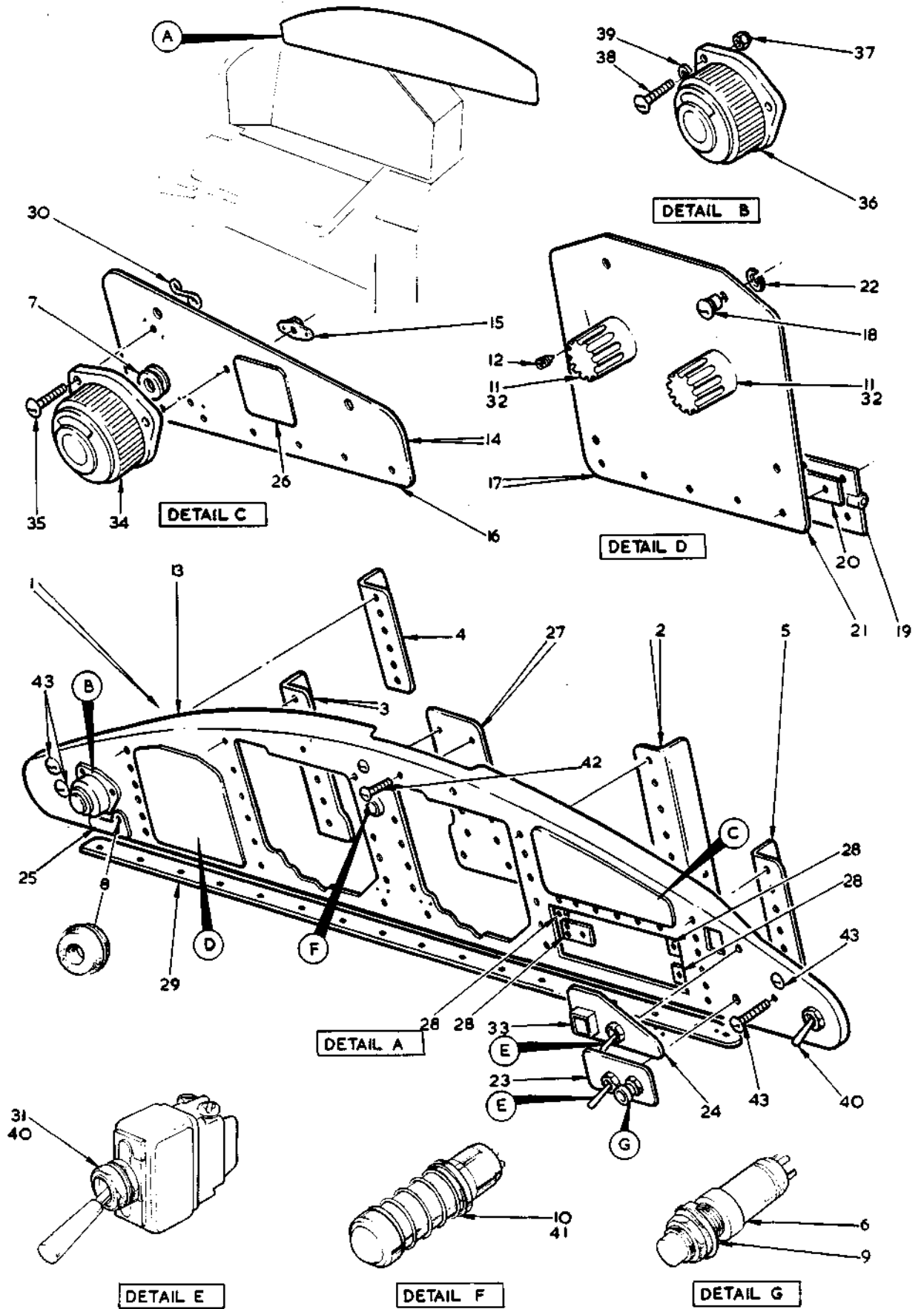


FIG 31. PRESSURE CABIN EQUIPMENT

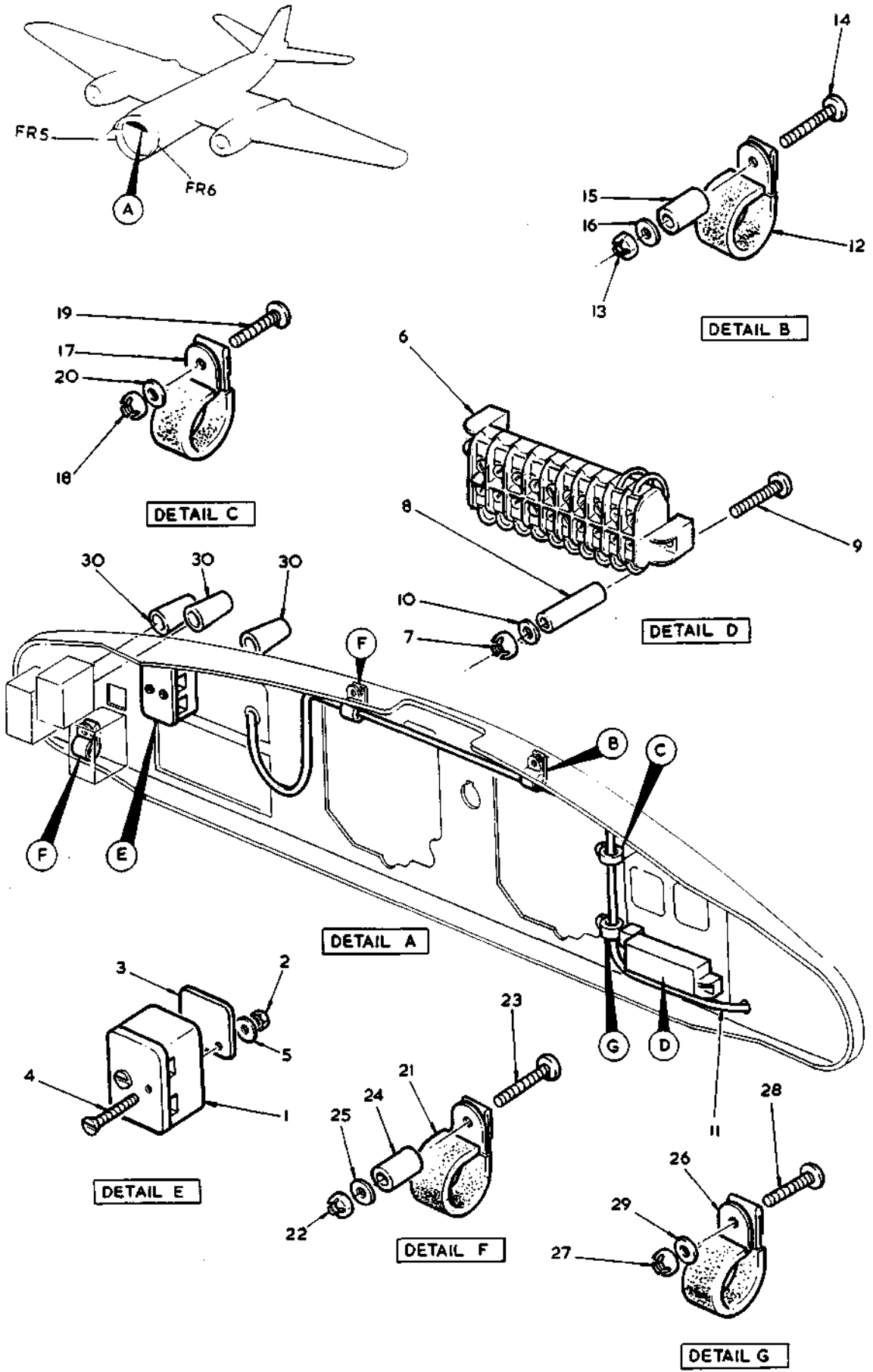
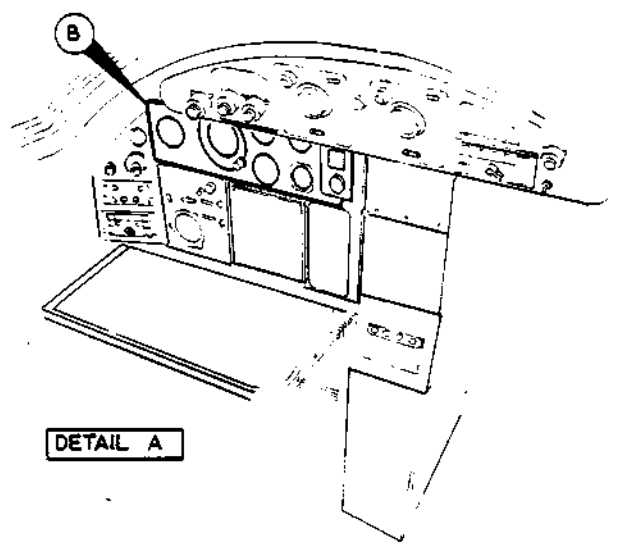
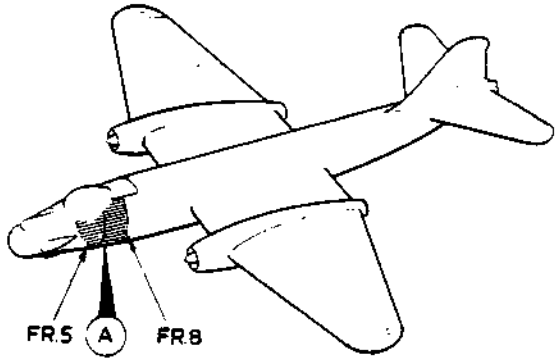
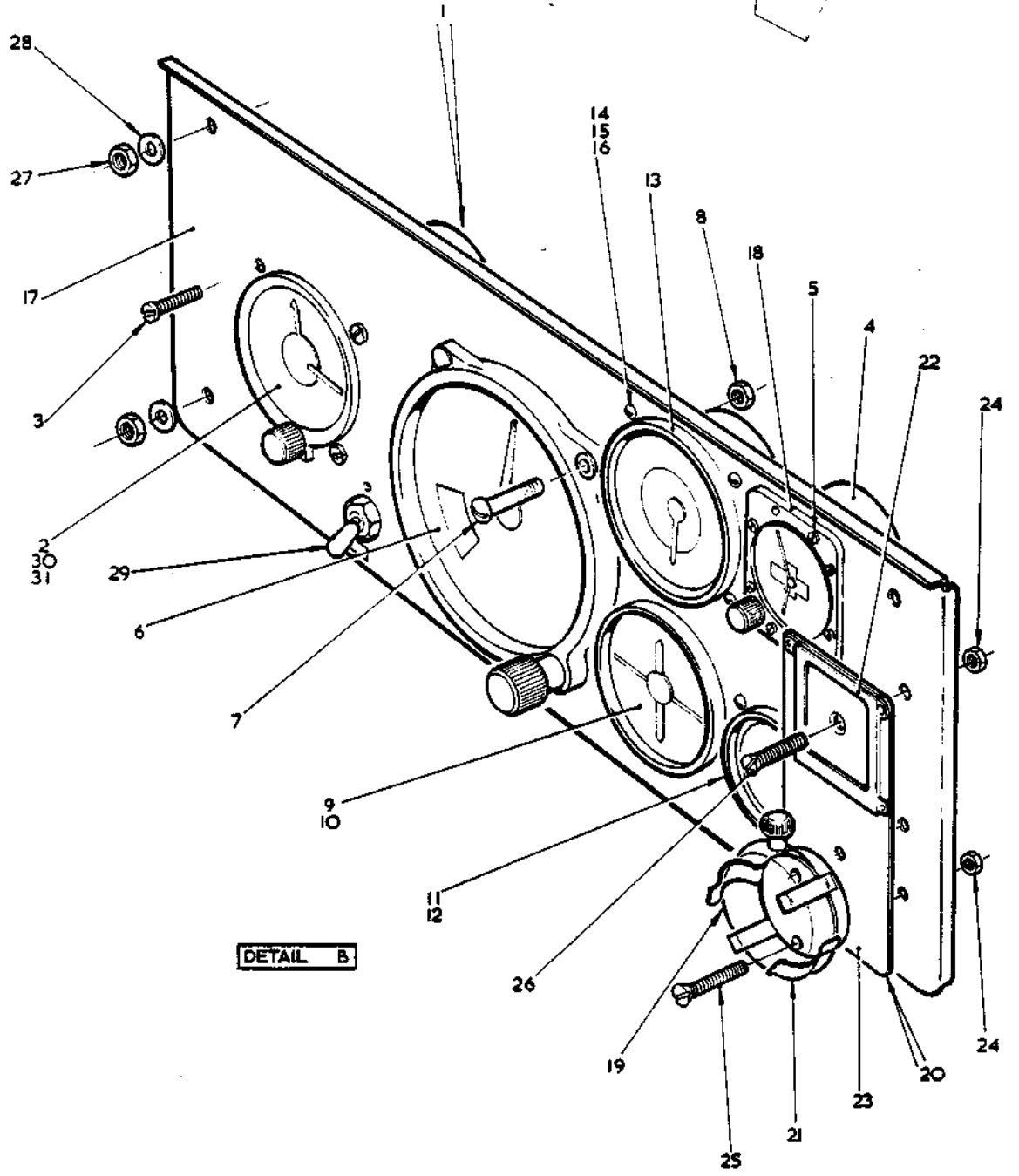


FIG 32. PRESSURE CABIN EQUIPMENT



DETAIL A



DETAIL B

FIG. 33 PRESSURE CABIN EQUIPMENT

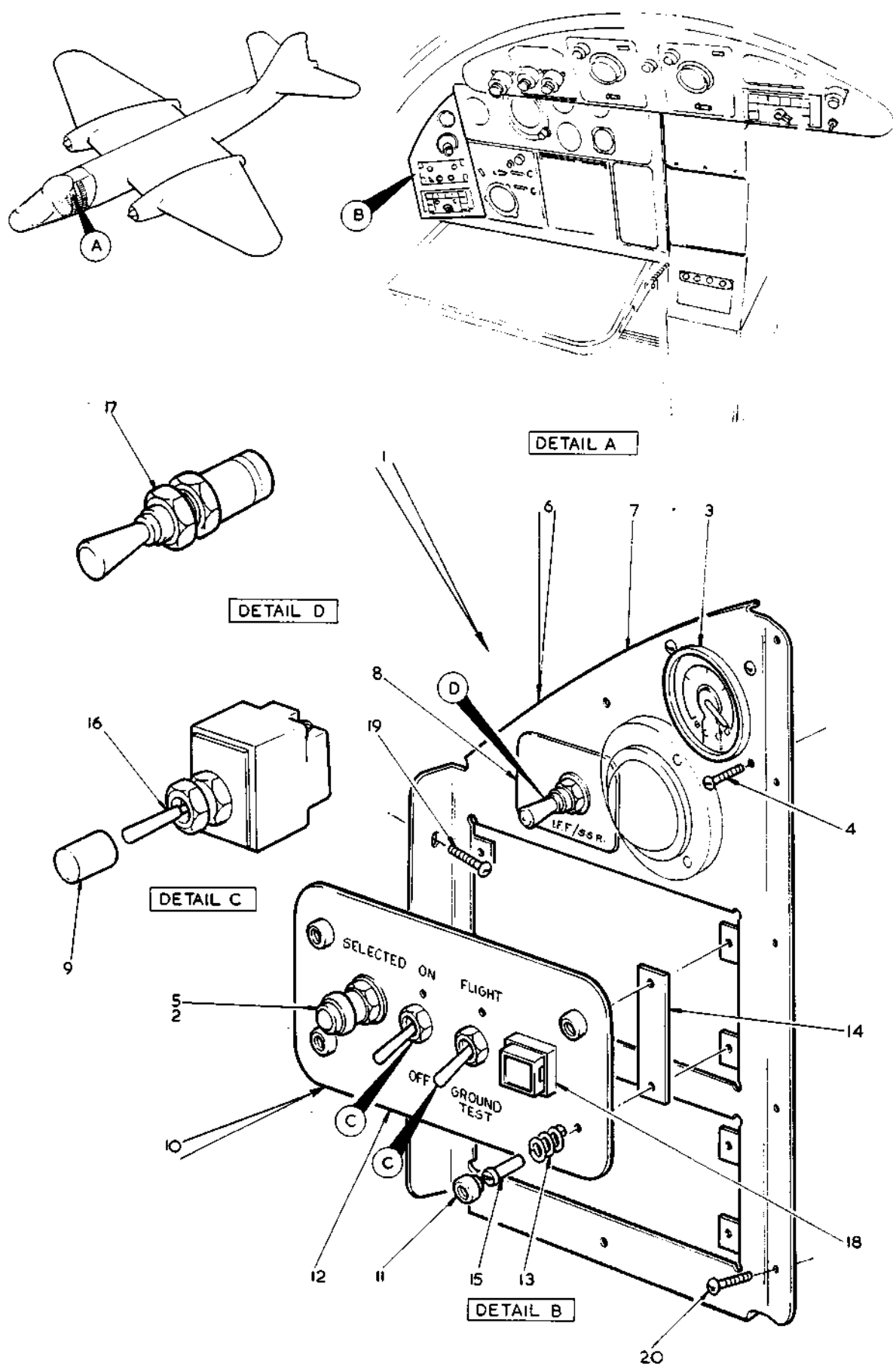


FIG. 34 PRESSURE CABIN EQUIPMENT

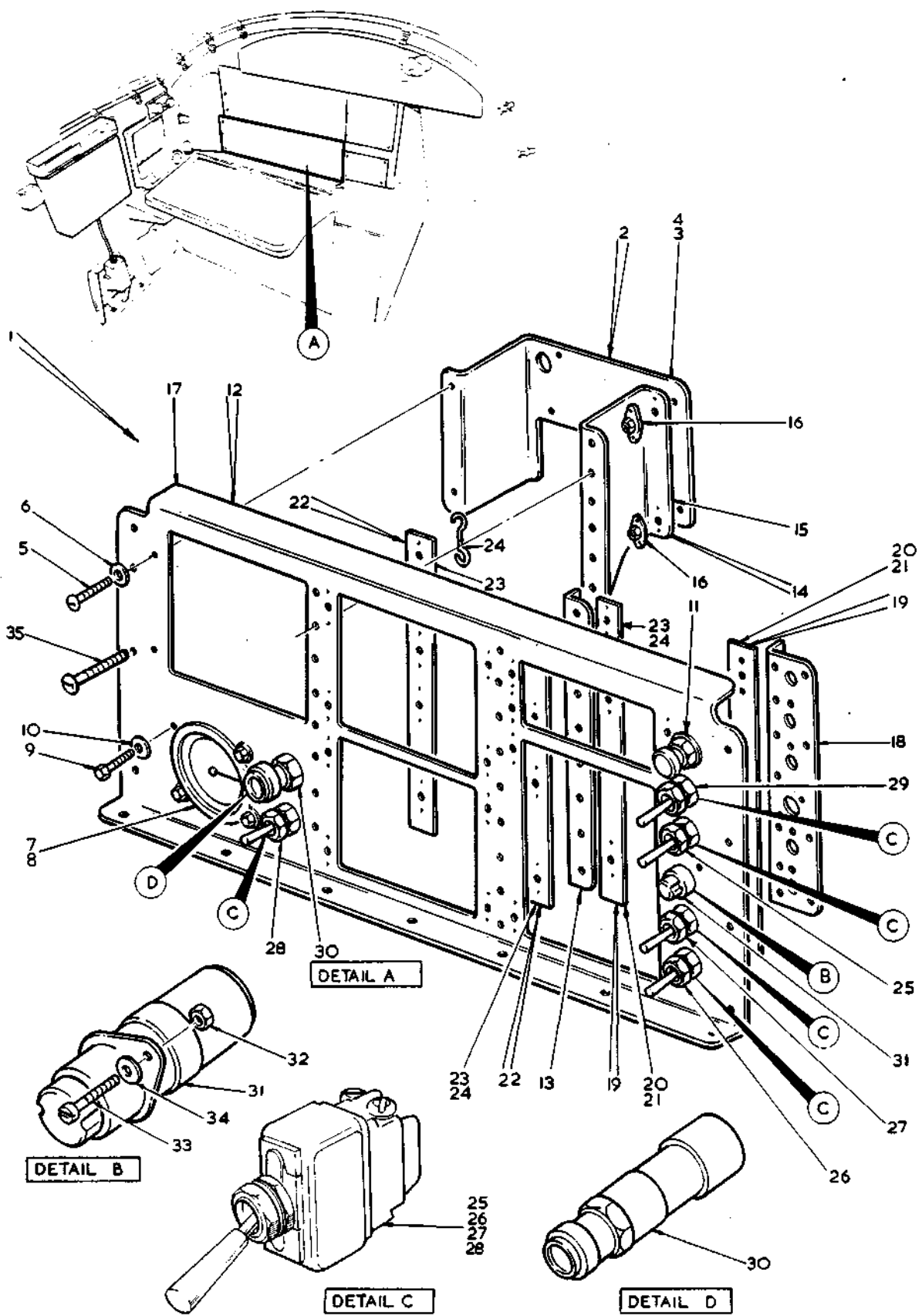


FIG. 35 PRESSURE CABIN EQUIPMENT

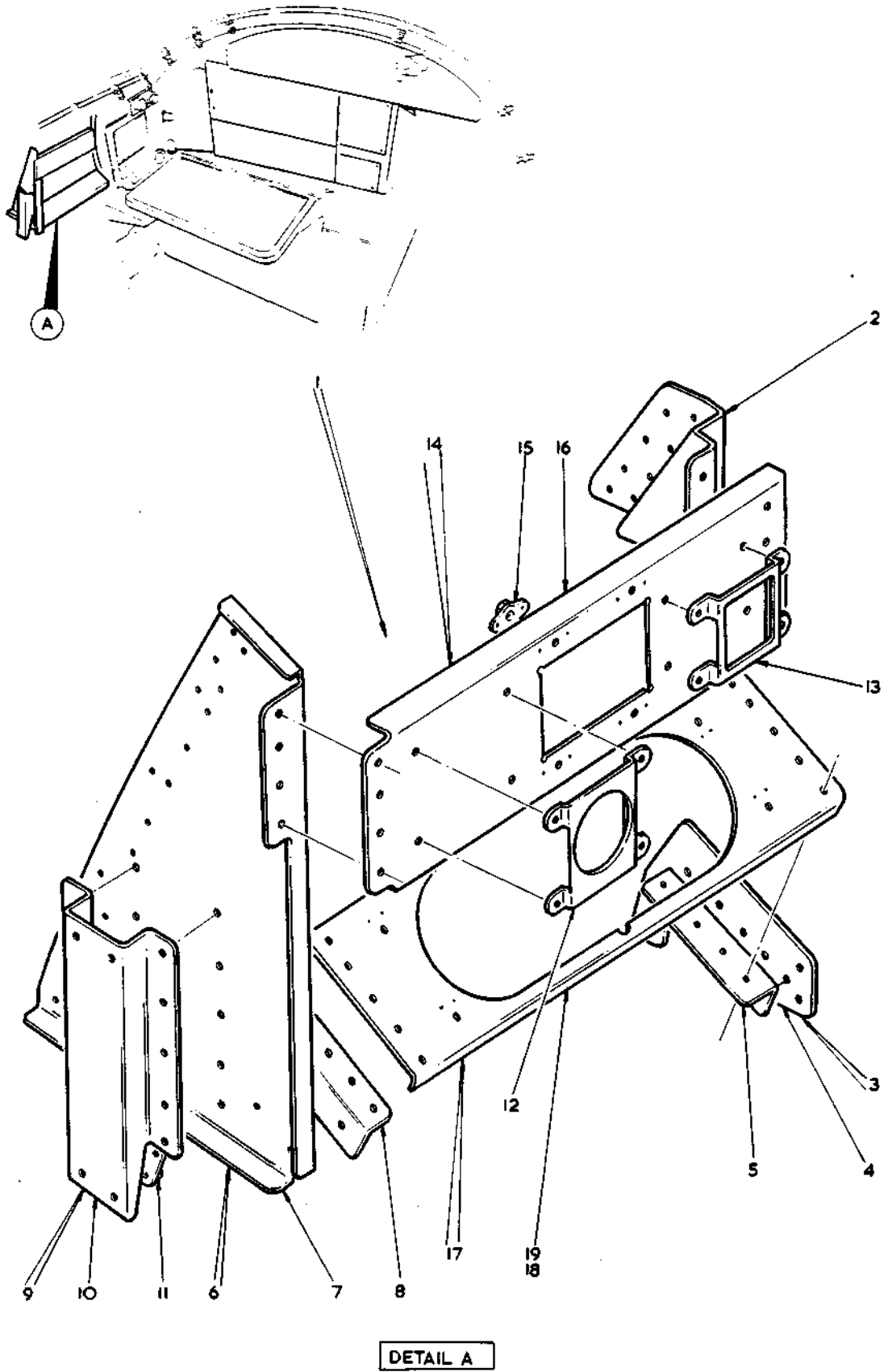


FIG 36 PRESSURE CABIN EQUIPMENT

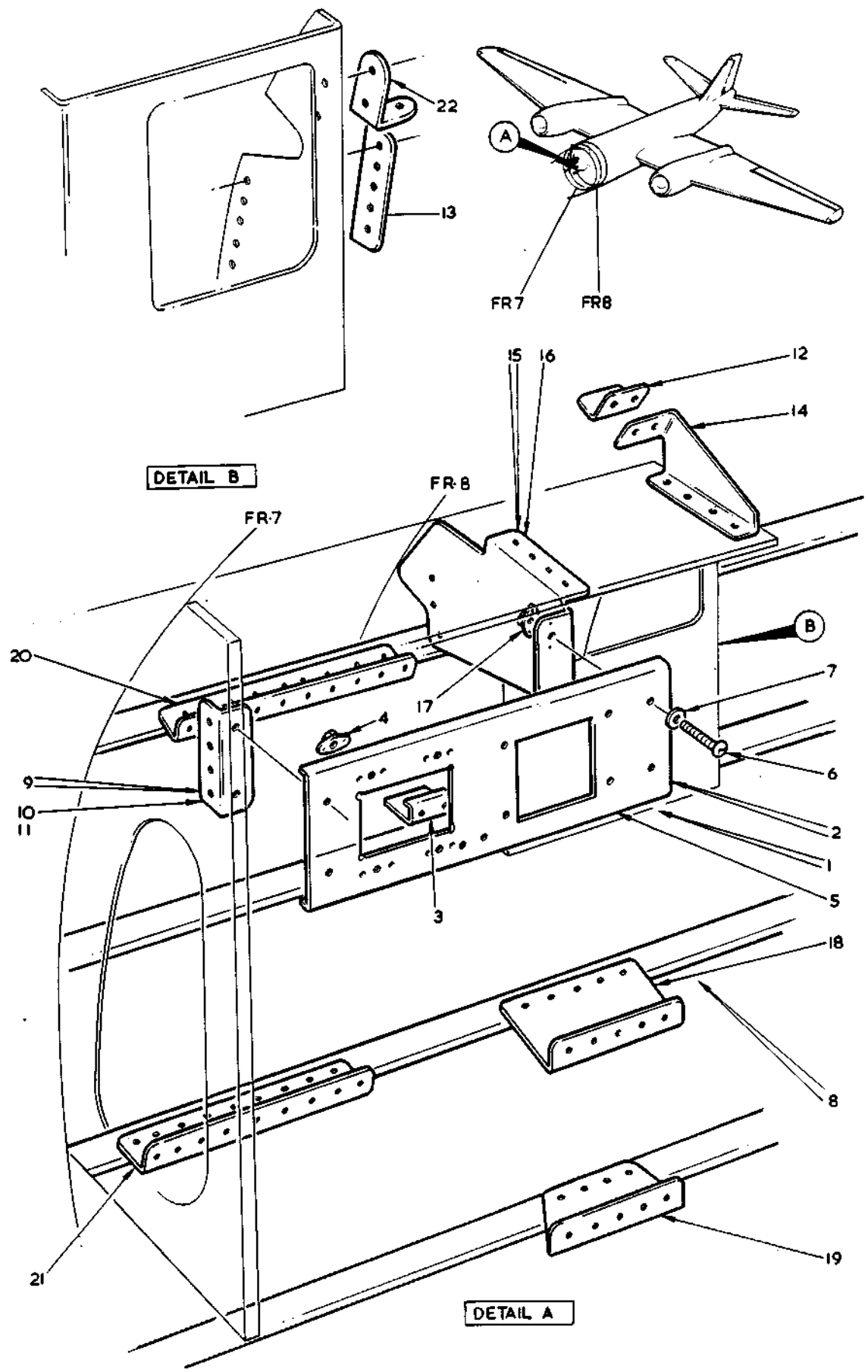


FIG 37 PRESSURE CABIN EQUIPMENT

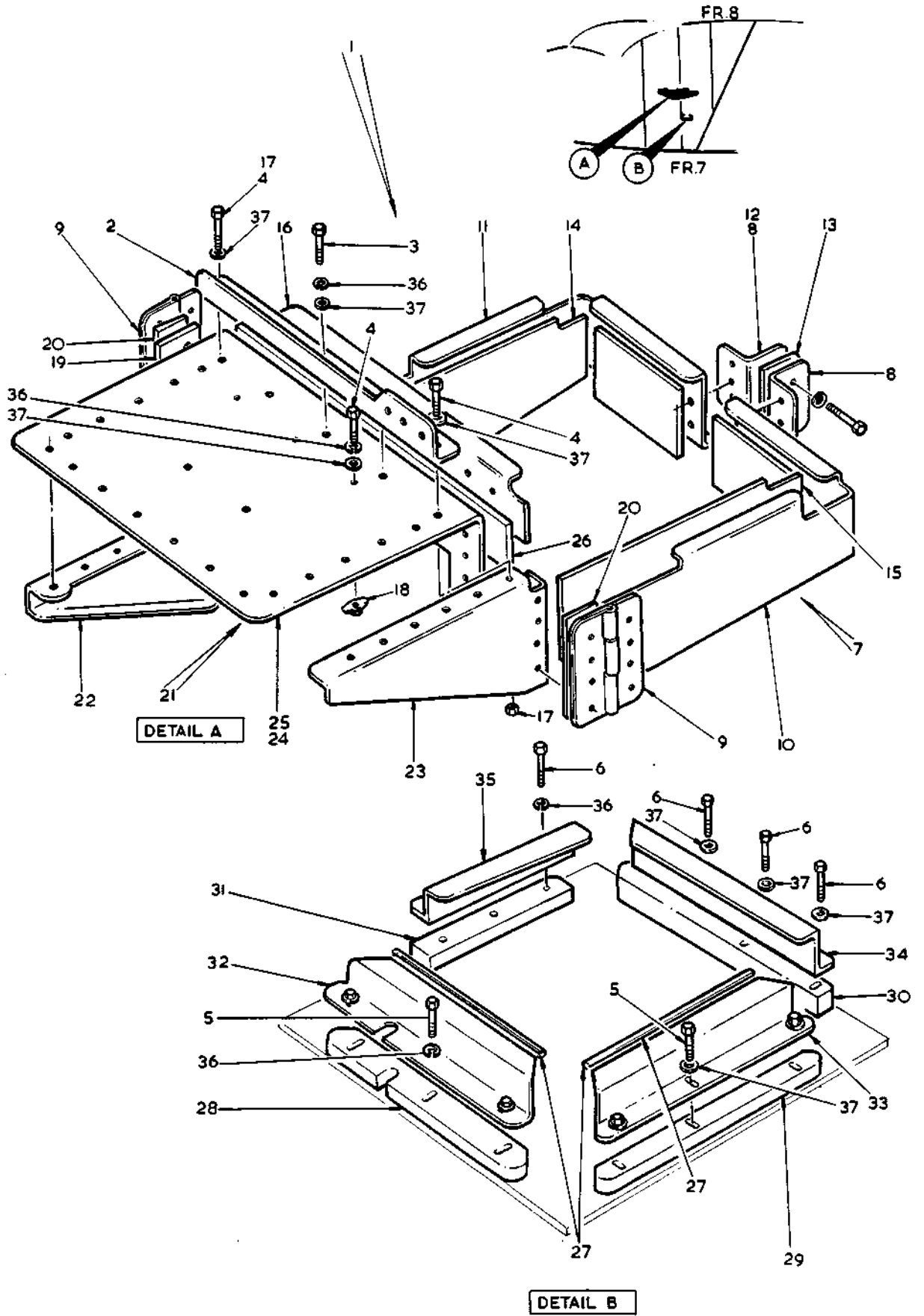


FIG 38. PRESSURE CABIN EQUIPMENT

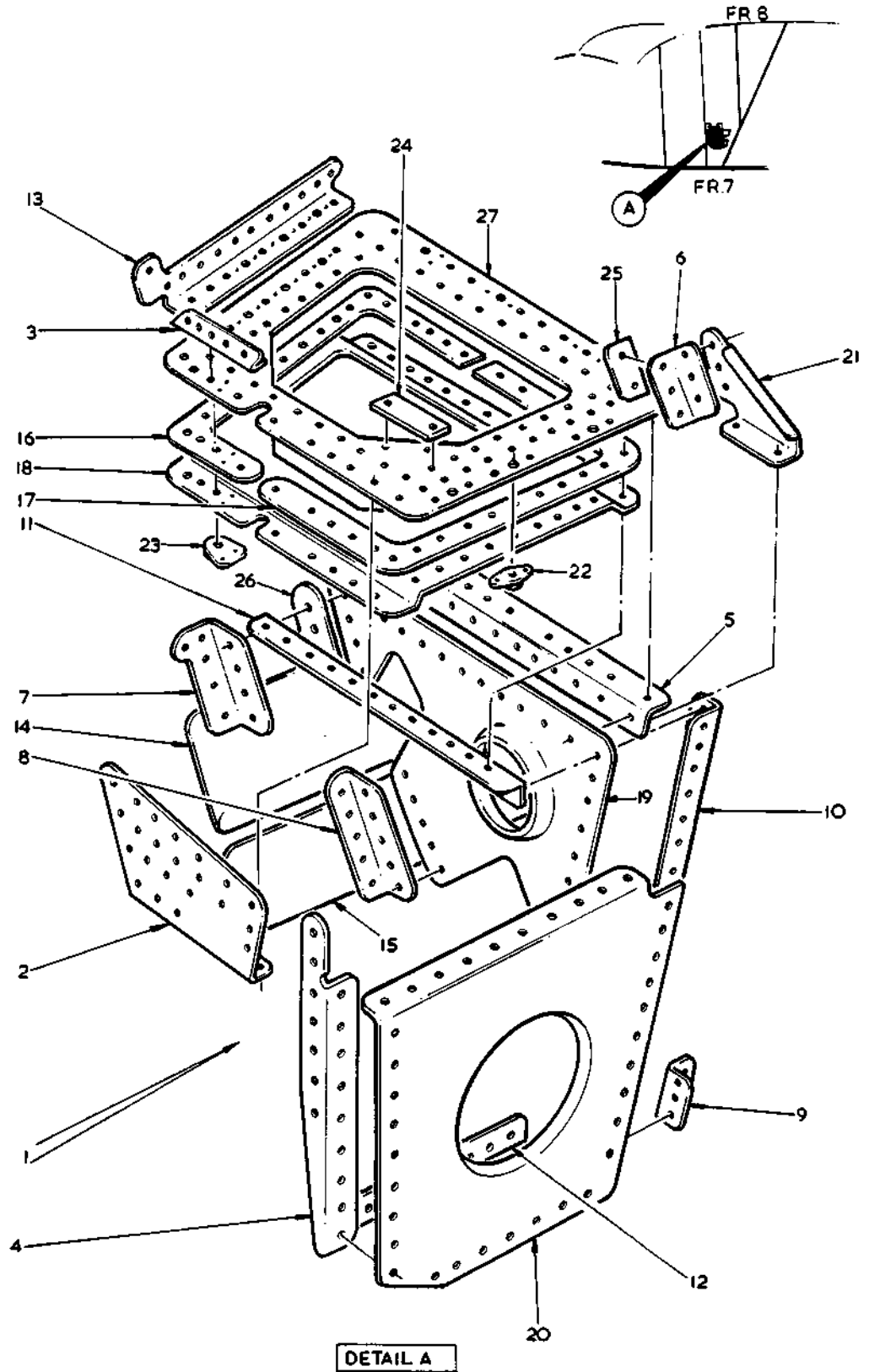


FIG 39 PRESSURE CABIN EQUIPMENT

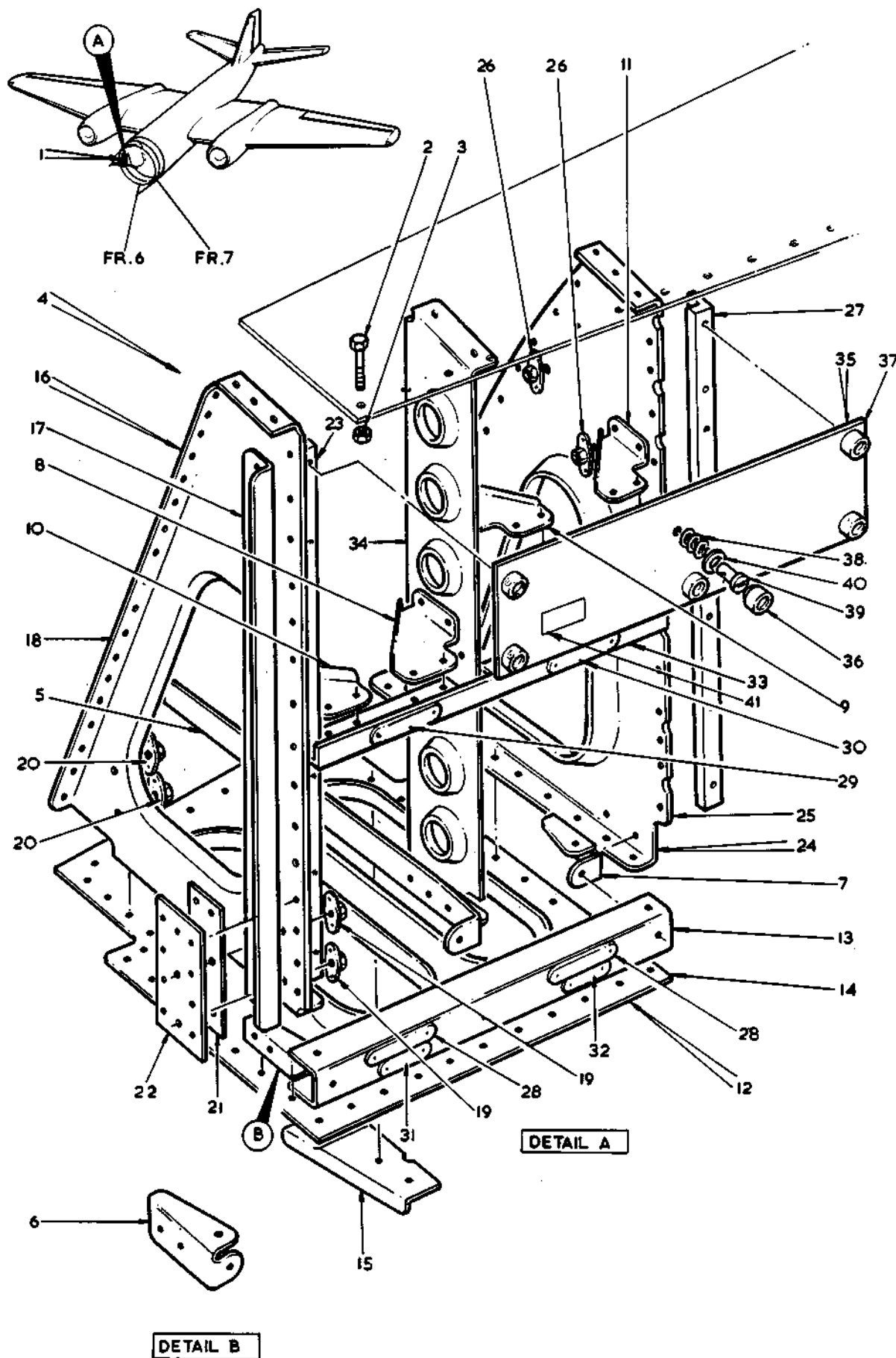


FIG 40. PRESSURE CABIN EQUIPMENT

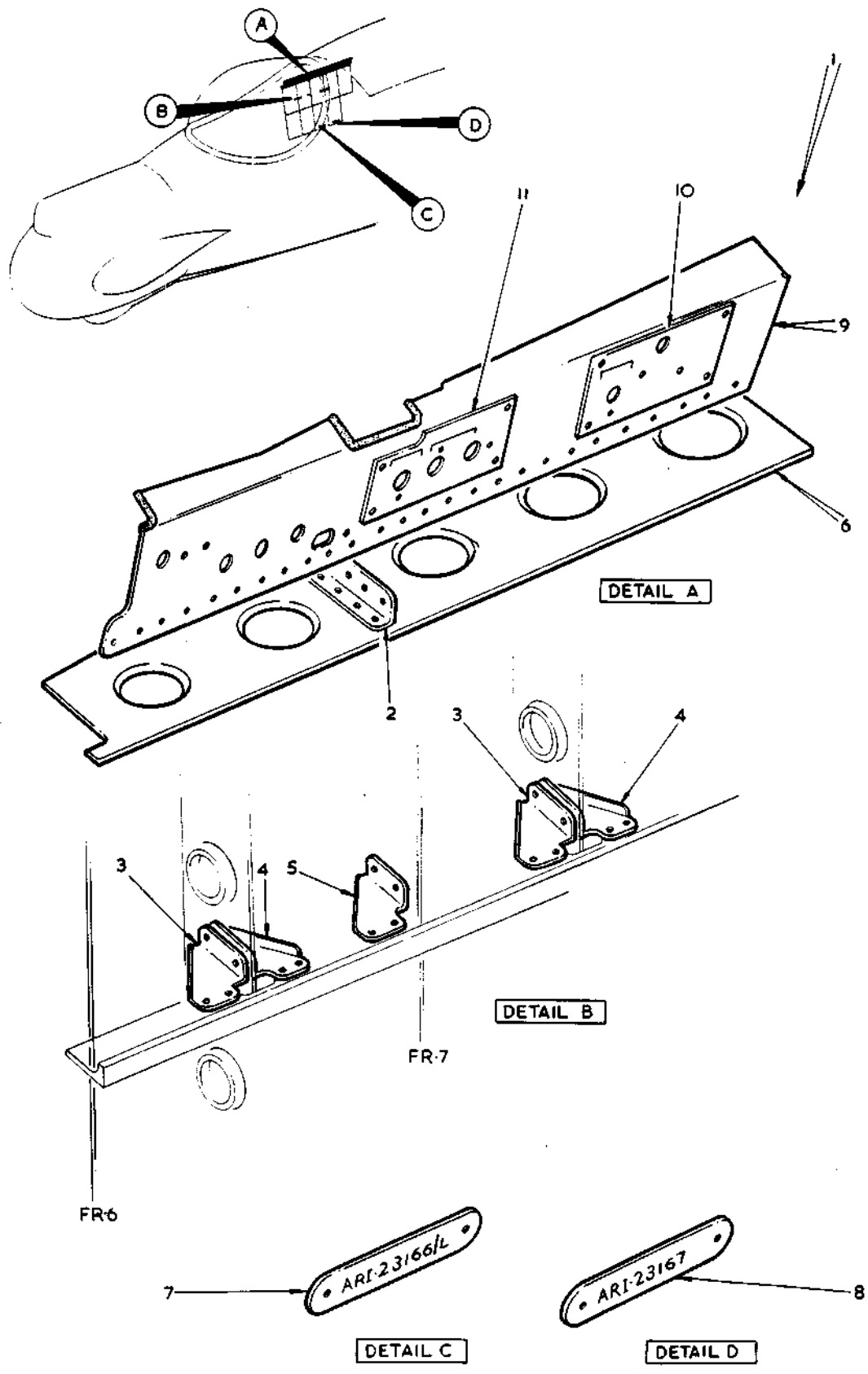


FIG 41. PRESSURE CABIN EQUIPMENT T.MK 17 SECT F

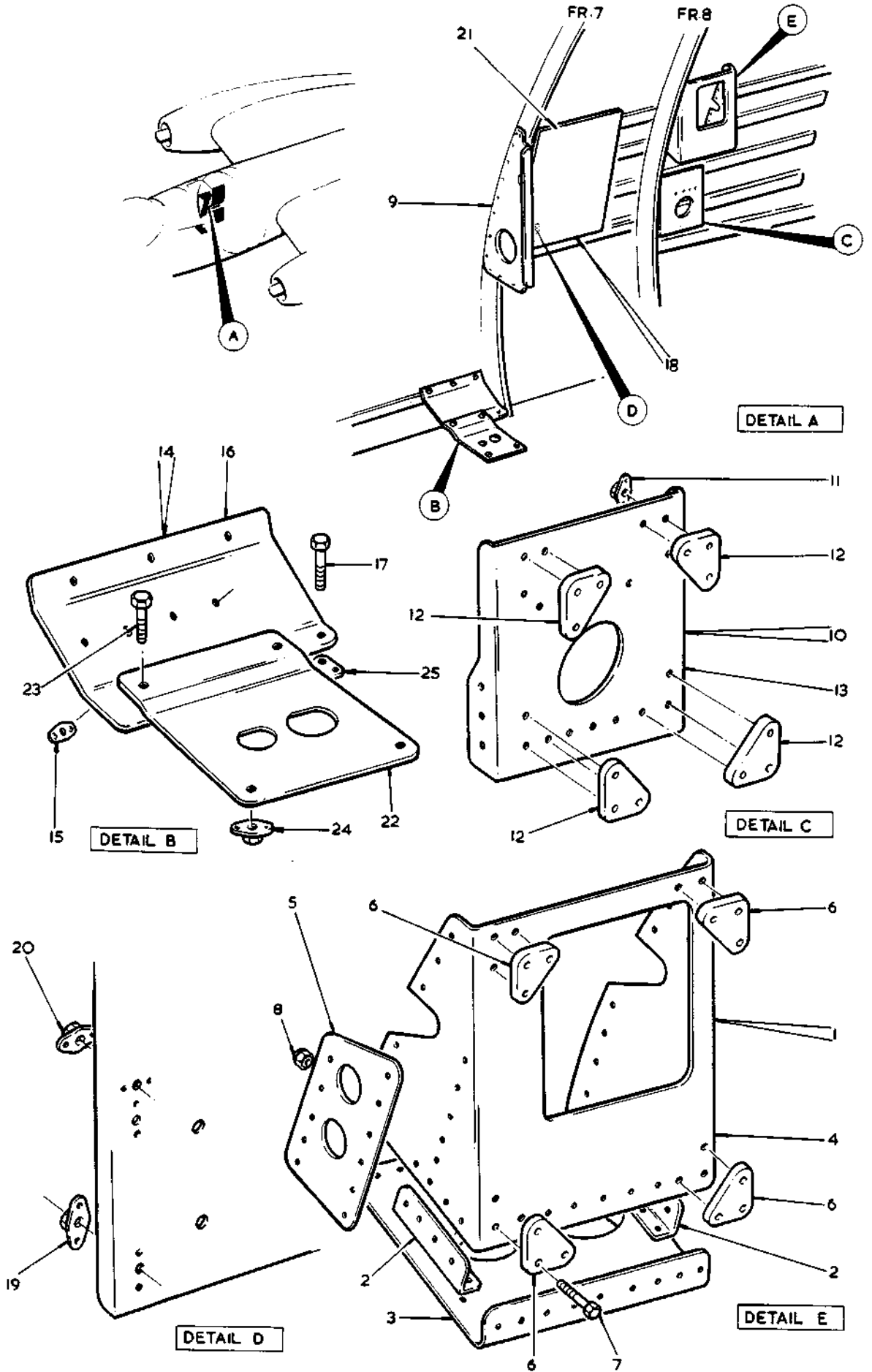


FIG. 42 PRESSURE CABIN EQUIPMENT

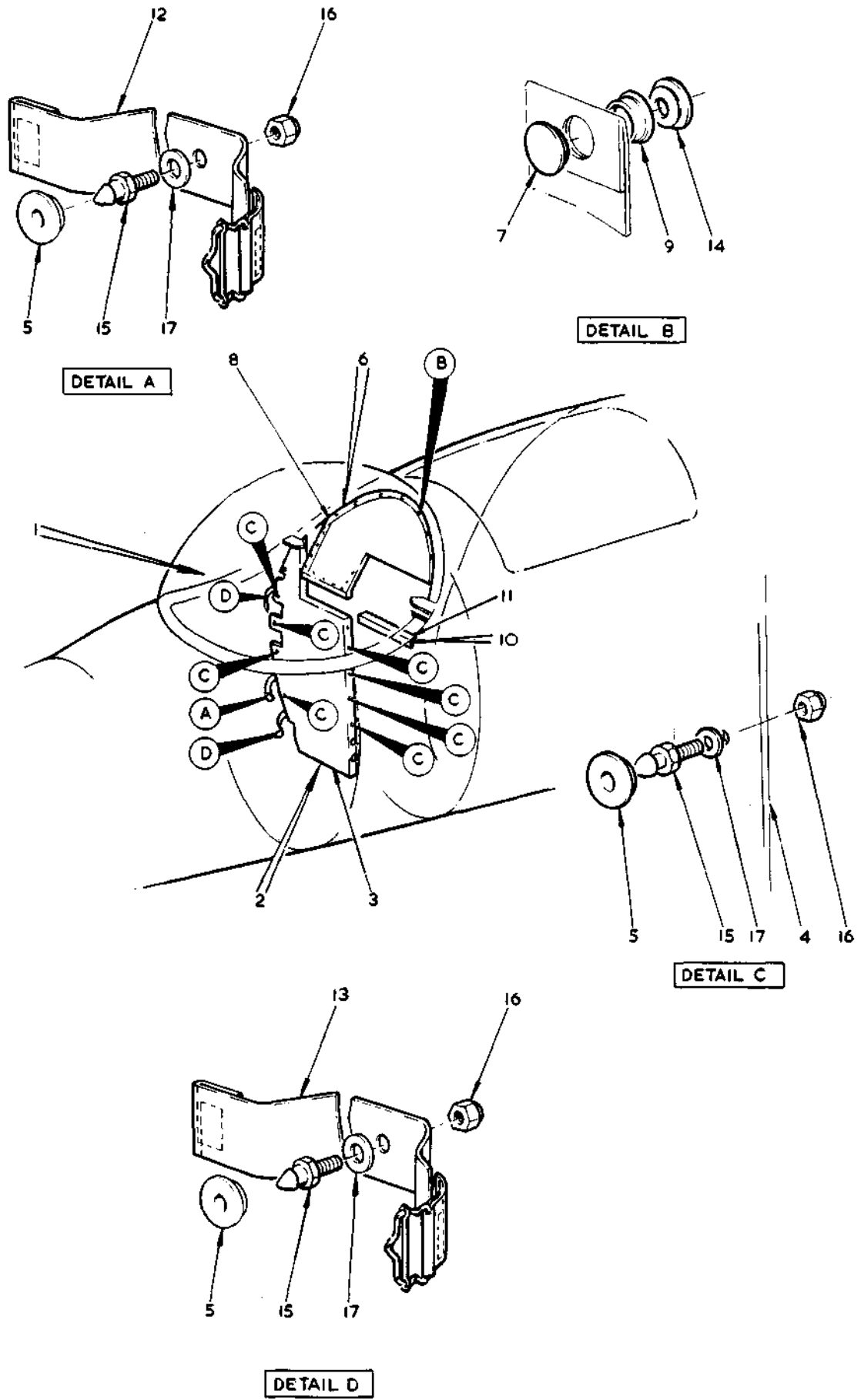


FIG 43 PRESSURE CABIN EQUIPMENT

This file was downloaded
from the RTFM Library.

Link: www.scottbouch.com/rtfm

Please see site for usage terms,
and more aircraft documents.

