

EQUIPMENT, ANCILLARY
GROUND EQUIPMENT

Part Number	Description	No. Off	Matl. Spec.	Plate No.
				1 2 3 4 5 6
-	GROUND EQUIPMENT, ASSEMBLY (EG7.88.1) Spares for:-	-	-	1/7
EA1.88.77	. ADAPTOR, fuselage jacking	1	-	4/18
1L/9106303	. ADAPTOR, canopy to fuselage torque wrench	1	-	
4GC/4232223	. ADAPTOR, set, engine stand	1	-	
R E67.81.5051	. ADAPTOR, special 1949-371T (Mod 5540) Spares for:-	1	-	12/1
R AE99650K	. . ADAPTOR	1	-	12/2
R AE99652K	. . ADAPTOR	1	-	12/3
R EG7.81.5051.1	. . BLOCK	1	-	12/4
R HTE714.80H	. . NIPPLE	1	-	12/5
R AGS1186K	. . SEAL, bonded	4	-	12/6
R HTE714.80G	. . SOCKET	1	-	12/7
EG7.88.3	. ARM, NOSEWHEEL STEERING, ASSEMBLY Spares for:-	1	-	1/24
EG7.88.367	. . BRACKET, adjustable, castor attachment Attaching parts for EG7.88.367:-	2	MS	1/20
A25/18J	. . Bolt, 3/8" BSF hex head	4	-	1/19
AGS2001/J/1	. . Nut, stiff, 3/8" BSF	4	-	1/16
AS2808/8/149	. . Tube, distance, 1/2" o/d x 17 SWG	4	T45	1/18
SP13/J	. . Washer, 3/8" BSF plain	8	-	1/17
REVVO CASTOR 89AR	. . CASTOR, type TL4/RP Attaching parts for 89AR:-	2	-	1/21
A25/11J	. . Bolt, 3/8" BSF hex head	4	-	1/22
AGS2001/J/1	. . Nut, stiff, 3/8" BSF	4	-	1/25
SP13/J	. . Washer, 3/8" BSF plain	4	-	1/23
EA3.88.297	. BLOCK, for depressing stud ring cover, when withdrawing fuel tanks No.1 and 2	2	-	6/3
EA1.88.889	. BOLT, canopy slave, ST8/4833	32	S97	6/4
EA3.88.307	. BRACKET, MAINWHEEL JACKING, ASSEMBLY Spares for:-	2	-	4/19
EA3.88.219	. . BOLT, special	2	S94or S95	4/20
EA3.88.79	. BRIDGE, detachable, for wing slinging Spares for:-	1	-	1/8
EA1.51.17	. . BEARING, spherical	2	-	1/26
EA3.88.85	. . PICK-UP	2	-	1/27
EA3.88.381	. . PICK-UP (Alternative to EA3.88.85)	-	-	
EA1.51.19	. . PIN	2	-	1/28
4GB/4409987	. BRIDLE, main undercarriage towing	1	-	1/9
EG7.88.43	. BUNGS, BOMB BAY RADAR PACK OUTLET ASSEMBLY Consisting of:-	1	-	1/6
EG7.88.105	. . BUNG, outlet	2	-	1/5
EG7.88.249	. . CORD, assembly	1	BS/2F59	1/1
EG7.88.95	. . PENNANT	1	DTD407	1/3
EG7.88.99	. . PLATE, ident	1	Brass	1/2
TERRY	. . RING, split, 3/4" dia.	1	-	1/4
EG7.88.151	. BUNGS, AIR TURBINE, AIR INTAKE, AND EXHAUST OUTLET, ASSEMBLY Consisting of:-	2	-	1/10
EG7.88.161	. . BUNG, intake	1	-	1/12
EG7.88.163	. . BUNG, exhaust	1	-	1/11
EG7.88.165	. . CORD, assembly	1	BS/2F59	1/13
EG7.88.95	. . PENNANT	1	DTD407	1/14
EG7.88.181	. . PLATE, ident	1	Brass	1/15

EQUIPMENT, ANCILLARY
GROUND EQUIPMENT

Part Number	Description	No. Off	Mati. Spec.	Plate No.
-	. CABLES, BENCH TEST, FOR ELECTRONIC EQUIPMENT, ASSEMBLY (EG7.88.247) Spares for:-	-	-	
-	. . CABLES, BENCH TEST, FOR ARI.23165 ELECTRONIC EQUIPMENT, ASSEMBLY (EG7.88.185) Spares for:-	-	-	
EG7.88.187	. . . CABLE, ASSEMBLY, GER.1, FROM ARI.23165 CONTROL UNIT 4 TO ARI.23165 POWER UNIT 2, GROUP Consisting of:-	1	-	
R UNINYVIN 16 CABLE, uninyvin 16	QR	-	
R UNINYVIN 20 CABLE, uninyvin 20	QR	-	
508/2/04367 FILLER, plug 16	1	-	
508/1/04585/002 INSERT, socket, 16/20	5	-	
508/1/05602/002 INSERT, socket, 16/20	51	-	
2CZ139487 INSERT, socket, 12/16	14	-	
2Z139623 SLEEVE, packing, 12/16 white	QR	-	
2Z139628 SLEEVE, packing, 16/20 blue	QR	-	
EEAS146/20 SLEEVE, 3/4" long	QR	-	
EEAS146/0000 SLEEVE, 1" long	QR	-	
EEAS146/0000 SLEEVE, 1-1/2" long	QR	-	
UK-AN				
9000/32/7S SOCKET, free	2	-	
EG7.88.189	. . . CABLE, ASSEMBLY, GER 2, FROM CONTROL MODULATOR TO ARI.23165 GENERATOR UNIT 9, GROUP Consisting of:-	1	-	
R UNINYVIN 16 CABLE, uninyvin 16	QR	-	

EQUIPMENT, ANCILLARY
GROUND EQUIPMENT

Ref. No.	Part No.	Description							No. off	Matl. Spec.	Cl. of Equip. M.R. L.M.	Fig. and Index
		1	2	3	4	5	6	7				
R	5X/9717833	508/2/04367							1	—	C	
R	10AD/9472684	508/1/04585/002							27	—	C	
	5X/9138835	2Z.139623							27	—	C	
R		EEAS.146/16 x 3/4"							QR	—	—	
R		EEAS.146/2 x 1"							QR	—	—	
R		EEAS.146/2 x 1-1/2"							QR	—	C	
R	10H/9568601	UK-AN							2	—	C	
		9000/22/19S										
		E.G7.88.191							1	—	—	
R	5E/9008507	†							QR	—	C	
R	5E/9012998	†							QR	—	C	
R	5X/9717835	508/2/04368							2	—	C	
R	10AD/9468687	2CZ.138846							2	—	C	
R	10AD/9477914	2CZ.139486							8	—	C	
R	10AD/9463470	2CZ.139487							4	—	C	
R	5X/9460811	2Z.139626							4	—	C	
R	5X/4499818	2Z.139627							8	—	C	
R		EEAS.146/16 x 3/4"							QR	—	—	
R		EEAS.146/2 x 1"							QR	—	—	
R		EEAS.146/00 x 1"							QR	—	—	
R		EEAS.146/00							QR	—	—	
		1-1/2"										
	5X/	UK-AN							2	—	—	
		9000/24/2S										
		E.G7.88.193							1	—	—	
R	5E/9008507	†							QR	—	C	
R	5E/9012998	†							QR	—	C	
	5X/8301	2CZ.139486							4	—	C	
R	10AD/9463470	2CZ.139487							3	—	C	

EQUIPMENT, ANCILLARY
GROUND EQUIPMENT

Ref. No.	Part No.	Description							No. off	Matl. Spec.	Cl. of Equip. M.R. L.M.	Fig. and Index
		1	2	3	4	5	6	7				
R								SLEEVE, 1" long	3	—	—	
R								SLEEVE, 1-1/2" long	1	—	—	
								CABLE, ASSEMBLY, GER.7, FROM ARI.23165 ... GENERATOR, TO FERRITE MODULATOR, GROUP	1	—	—	
								Consisting of:—				
R	5E/9568884	†						CABLE, nyommetsheath 16	QR	—	C	
R	10AD/9472684	508/1/04585/002						INSERT, socket, 16	4	—	C	
R	10AD/9482657	508/1/05601/002						INSERT, socket, 16/18	2	—	C	
R	5X/9138834	2Z.139622						SLEEVE, packing, pink	2	—	C	
R	5X/9138835	2Z.139623						SLEEVE, packing, blue	4	—	C	
R		EEAS.146/12						SLEEVE, 1/4" long	QR	—	—	
R		EEAS.146/2						SLEEVE, 1" long	QR	—	—	
R		EEAS.146/2						SLEEVE, 1-1/2" long	QR	—	—	
R	10H/9704119	UK-AN 9000/10S/3S						SOCKET, free	2	—	C	
	5E/9102378	RAYCHEM						TUBING, S.C.L. 3/8" x 1" long	QR	—	—	
	5E/9102378	†						WIRE, tinned copper, 26 SWG	QR	—	C	
R	5E/0151500	†						WIRE, eqipt. type C37/.0076 brown	QR	—	—	
R	10HS/9568594	E.G7.88.201						CABLE, ASSEMBLY GER.8, FROM ARI.23165 ... TRANSMITTER TO RECEIVER, GROUP	1	—	C	
								Consisting of:—				
	5E/9433957	†						CABLE, uniradio 96	QR	—	C	
	10AD/	AMPHENOL 31GB.226-4						PLUG, UK-BNC	2	—	—	
R		EEAS.146/6						SLEEVE, 1" long	QR	—	—	
R		EEAS.146/6						SLEEVE, 1-1/2" long	QR	—	—	
		E.G7.88.203						CABLE, ASSEMBLY, GER.9, FROM ARI.23165 ... RECEIVER TO DELAY UNIT, GROUP	1	—	—	
								Consisting of:—				
	5E/9100295	†						CABLE, uniradio 67	QR	—	C	
	10H/	2CZ.139373						PLUG, type UK-N2	2	—	C	
R		EEAS.146/2						SLEEVE, 1" long	3	—	—	
R		EEAS.146/2						SLEEVE, 1-1/2" long	1	—	—	
R	10HS/9568595	E.G7.88.205						CABLE, ASSEMBLY, GER.10, FROM ARI.23165 ... RECEIVER TO GENERATOR, GROUP	1	—	B	
								Consisting of:—				
	5E/9433957	†						CABLE, uniradio 96	QR	—	C	
	10AD/	AMPHENOL 31GB.226-4						PLUG, UK-BNC	2	—	—	

EQUIPMENT, ANCILLARY
GROUND EQUIPMENT

Ref. No.	Part No.	Description							No. off	Matl. Spec.	Cl. of Equip. M.R. L.M.	Fig. and Index
		1	2	3	4	5	6	7				
R		EEAS.146/6						SLEEVE, 1" long	QR	—	—	
R		EEAS.146/6						SLEEVE, 1-1/2" long	QR	—	—	
		E.G7.88.207						CABLE ASSEMBLY, GER.11, FROM ARI.23165 .. RECEIVER TO POWER UNIT, GROUP Consisting of:—	1	—	—	
R	5E/9012998	†						CABLE, uninyvin 16	QR	—	C	
	10H/	BENDIX						FILLER, plug	QR	—	C	
		10.101033.10										
	10H/	THORN						FILLER, plug	1	—	—	
		10.101033.12										
R	10AD/9477914							INSERT, socket, 12/14	6	—	C	
R	10AD/9463470							INSERT, socket, 12/16	1	—	C	
R	5X/5809602							INSERT, socket, 16/20	28	—	C	
R	5X/9138834							SLEEVE, packing, pink	QR	—	C	
R	5X/9138835							SLEEVE, packing, blue	QR	—	C	
R	5X/9460811							SLEEVE, packing, white	QR	—	C	
		EEAS.146/EQ						SLEEVE, 1/4" long	QR	—	—	
R		EEAS.146/16						SLEEVE, 1/4" long	QR	—	—	
R		EEAS.146/2						SLEEVE, 1" long	QR	—	—	
R		EEAS.146/2						SLEEVE, 1-1/2" long	QR	—	—	
		UK-AN						SOCKET, free	1	—	—	
		9000/32/7SW										
		THORN						SOCKET, free	1	—	—	
		PT06SE.20.39S(SR)										
R	5E/0149438	†						WIRE, equipt, type B 19/0076 blue	QR	—	C	
R	10HS/9568604							CABLE ASSEMBLY, GER.12, FROM ARI.23165 .. RECEIVER TO GENERATOR, GROUP Consisting of:—	1	—	B	
	5E/9433957	†						CABLE, uniradio 96	QR	—	C	
	10AD/	AMPHENOL						PLUG, UK-BNC	2	—	—	
		31GB.226-4										
R		EEAS.146/6						SLEEVE, 1" long	QR	—	—	
R		EEAS.146/6						SLEEVE, 1-1/2" long	QR	—	—	
R	10HS/9568603							CABLE ASSEMBLY, GER.23, FROM ARI.23165 .. DELAY UNIT TO TRANSMITTER, GROUP Consisting of:—	1	—	B	
	5E/9100295	†						CABLE, uniradio 67	QR	—	C	
	5X/	2CZ.139373						PLUG, UK-N2	2	—	—	
R		EEAS.146/2						SLEEVE, 1" long	QR	—	—	
R	5K/	EEAS.146/2						SLEEVE, 1-1/2" long	QR	—	—	

EQUIPMENT, ANCILLARY
GROUND EQUIPMENT

Ref. No.	Part No.	Description							No. off	Matl. Spec.	Cl. of Equip. M.R. L.M.	Fig. and Index
		1	2	3	4	5	6	7				
R 10HS/9568581	E.G7.88.217								1	—	—	
R 5E/9008507	†								QR	—	C	
R 5E/9012998	†								QR	—	C	
R 5E/9467424	†								QR	—	C	
R 10AD/9477914	2CZ.139486								2	—	C	
R 10AD/9463470	2CZ.139487								6	—	C	
R 5X/5809602	508/1/05602/002								36	—	C	
R 5X/9138835	2Z.139623								QR	—	C	
R 5X/9460811	2Z.139626								QR	—	C	
R 5X/4499818	2Z.139627								QR	—	C	
R	EEAS.146/20								QR	—	—	
R	EEAS.146/2								QR	—	—	
R	EEAS.146/2								QR	—	C	
R 5X/9506988	UK-AN								1	—	—	
	9000/28/11S											
	5X/ UK-AN								1	—	—	
	9000/28/11SW											
R 10HS/9568582	E.G7.88.219								1	—	—	
R 5E/9993758	†								QR	—	C	
R 5E/9008507	†								QR	—	C	
R 5E/9012998	†								QR	—	C	
R 5X/9717835	508/2/04368								1	—	C	
R 10AD/9468687	2CZ.138846								4	—	C	
R 10AD/9477916	2CZ.139486								2	—	C	
R 10AD/9463470	2CZ.139487								1	—	C	
	5X/8156								QR	—	C	
R 5X/4499818	2CZ.139627								QR	—	C	
R 5X/9460813	2CZ.139628								QR	—	C	

EQUIPMENT, ANCILLARY

GROUND EQUIPMENT

Part Number	Description	No. Off	Mati. Spec.	Plate No.
EEAS146/12 SLEEVE, 3/4" long	QR	-	
EEAS146/16 SLEEVE, 3/4" long	QR	-	
EEAS146/2 SLEEVE, 1" long	QR	-	
EEAS146/2 SLEEVE, 1 1/2" long	QR	-	
UK-AN				
9000/24/2S SOCKET, free	1	-	
-	. . CABLE, BENCH TEST, FOR ARI.18207 ELECTRONIC EQUIPMENT, ASSEMBLY (EG7.88.221)	-	-	
	Spares for:			
EG7.88.223	. . . CABLE, ASSEMBLY, GER.17, FROM ARI.18207 CONTROL UNIT TO REPEATER, GROUP	1	-	
	Consisting of:			
R 5E/116758 CABLE, miniature, 25C	QR	-	
508/1/07780/003 CLAMP, cable	2	-	
R 508/2/07707/200 GASKET, outlet	2	-	
Z62239 GASKET, union	2	-	
508/2/07645/003 OUTLET, straight	2	-	
R 508/1/40036/320 PLUG, free, Mk.4	1	-	
Z49086 RING, compression	1	-	
Z62233 RING, sealing	1	-	
508/2/07758/007 RING, thrust	2	-	
EEAS146/EQ SLEEVE, 1/2" long	QR	-	
EEAS146/00 SLEEVE, 1" long	QR	-	
EEAS146/00 SLEEVE, 1 1/2" long	QR	-	
R 508/1/40016/320 SOCKET, free, Mk.4	1	-	
EG7.88.225	. . . CABLE, ASSEMBLY, GER.18, FROM ARI.18207 REPEATER TO BRANCH TEST POWER SUPPLY, GROUP	1	-	
	Consisting of:			
R 6E/9993758 CABLE, uninyvin 12	QR	-	
508/1/07777/003 CLAMP, cable	1	-	
508/2/07705/200 GASKET, outlet	1	-	
Z62234 GASKET, union	1	-	
508/2/07460/003 OUTLET, straight	1	-	
R 508/2/07721/200 RING, sealing	1	-	
508/2/07754/007 RING, thrust	1	-	
EEAS146/12 SLEEVE, 3/4" long	QR	-	
EEAS146/6 SLEEVE, 1" long	QR	-	

EQUIPMENT, ANCILLARY

GROUND EQUIPMENT

Part Number	Description	No. Off	Matl. Spec.	Plate No.
R EEAS146/6 SLEEVE, 1½" long	QR	—	
508/1/40000/320 SOCKET, free, Mk.4	1	—	
EG7.88.245 CABLE, ASSEMBLY, GER.27, FROM ARI.18207 CONTROL UNIT TO BENCH TEST LIGHTING SUPPLY, GROUP Consisting of:	1	—	
R 5E/9467424 CABLE, uninyvin 20	QR	—	
508/1/07774/003 CLAMP, cable	1	—	
508/2/07705/200 GASKET, outlet	1	—	
508/2/07719/200 GASKET, union	1	—	
508/2/07639/003 OUTLET, straight	1	—	
508/2/07708/200 RING, sealing	1	—	
508/2/07752/007 RING, thrust	1	—	
EEAS146/20 SLEEVE, ¾" long	QR	—	
EEAS146/12 SLEEVE, 1" long	QR	—	
EEAS146/12 SLEEVE, 1½" long	QR	—	
R 508/1/40001/320 SOCKET, free, Mk.4	1	—	
† CABLES, BENCH TEST, FOR ARI.23166 ELECTRONIC EQUIPMENT, ASSEMBLY (EG7.88.227) Spares for:	—	—	
EG7.88.229 CABLE, ASSEMBLY, GER.19, FROM ARI.32166 CONTROL UNIT TO 'S' COOLER, GROUP Consisting of:	1	—	
R 5E/9012998 CABLE, uninyvin 16	QR	—	
R 5E/9467424 CABLE, uninyvin 20	QR	—	
508/2/04367 FILLER, plug, 16	1	—	
2CZ139487 INSERT, socket, 12/16	14	—	
508/1/04585/002 INSERT, socket, 16	1	—	
508/1/05602/002 INSERT, socket	55	—	
2Z139623 SLEEVE, packing, blue	QR	—	
2Z139626 SLEEVE, packing, white	QR	—	
EEAS146/20 SLEEVE, ¾" long	QR	—	
EEAS146/0000 SLEEVE, 1" long	QR	—	
EEAS146/0000 SLEEVE, 1½" long	QR	—	

GROUND EQUIPMENT

Ref. No.	Part No.	Description							No. off	Matl. Spec.	Cl. of Equip. M.R. L.M.	Fig. and Index
		1	2	3	4	5	6	7				
R	5X/4491936	UK-AN							2	-	C	
	10HS/9568584	9000/32/7S E.G7.88.231							1	-	B	
R	5E/9993758	†							QR	-	C	
R	5E/9008507	†							QR	-	C	
R	5E/9012998	†							QR	-	C	
R	5X/9717835	508/2/04368							1	-	C	
	5X/8301	2CZ.139486							2	-	C	
R	10AD/9463470	2CZ.139487							1	-	C	
	5X/	2CZ.138846							4	-	C	
	5X/8156	2Z.139626							QR	-	C	
	5X/9460812	2Z.139627							QR	-	C	
R	5X/9460813	2Z.139628							QR	-	C	
R		EEAS.146/12							QR	-	-	
R		EEAS.146/16							QR	-	-	
R		EEAS.146/2							QR	-	-	
R		EEAS.146/2							QR	-	-	
	5X/	UK-AN							1	-	-	
	10HS/9568583	9000/24/2S E.G7.88.233							1	-	B	
R	5E/9008507	†							QR	-	C	
R	5E/9012998	†							QR	-	C	
R	5E/9467424	†							QR	-	C	
R	10AD/9477914	2CZ.139486							2	-	C	
R	10AD/9463470	2CZ.139487							6	-	C	
R	5X/5809602	508/1/05602/002							36	-	C	
	5X/9138835	2Z.139623							QR	-	C	
R	5X/9460811	2Z.139626							QR	-	C	
	5X/9460812	2Z.139627							QR	-	C	
R		EEAS.146/14							QR	-	-	

EQUIPMENT, ANCILLARY

GROUND EQUIPMENT

Ref. No.	Part No.	1	2	3	4	5	6	7	Description	No. off	Matl. Spec.	Cl. of Equip. M.R. L.M.	Fig. and Index
R									SLEEVE, 1" long	3	-	-	
R									SLEEVE, 1-1/2" long	1	-	C	
R	5X/9506988								UK-AN SOCKET, 22-way	1	-	-	
									9000/28/11S UK-AN SOCKET, 22-way	1	-	-	
	10HS/9568585								9000/28/11SW E.G7.88.239 CABLE, ASSEMBLY, GER.22, FROM ARI.23166 . "S" COOLER TO TRANSMITTER, GROUP Consisting of:-	1	-	B	
R	5E/9008507	†							CABLE, uninyvin 14	QR	-	C	
R	5E/9012998	†							CABLE, uninyvin 16	QR	-	C	
R	10AD/9477914	2CZ.139486							INSERT, socket, 12/14	5	-	C	
R	10AD/9463470	2Z.139487							INSERT, socket, 12/16	2	-	C	
R	5X/9477913	2Z.139494							PIN, plug, 12/14	5	-	C	
R	10AD/9477915	2Z.139495							PIN, plug, 12/16	2	-	C	
		UK-AN 9000/24/2P							PLUG, free	1	-	-	
R	5X/9460811	2Z.139626							SLEEVE, packing, white	4	-	C	
	5X/9460812	2Z.139627							SLEEVE, packing, red	10	-	C	
R		EEAS.146/16							SLEEVE, 1/4" long	QR	-	-	
R		EEAS.146/2							SLEEVE, 1" long	QR	-	-	
R		EEAS.146/2							SLEEVE, 1-1/2" long	QR	-	-	
	5X/ 95650	UK-AN 9000/24/2S E.G7.88.301							SOCKET, free	1	-	-	
									CASE, STOWAGE, FOR LEAD ADAPTOR AND TEST . LEAD, ASSEMBLY Spares for:-	1	Vynide VT-1175	B	2/14
		NEWAY 5/A.101							FASTENER, snap	2	-	-	2/17
	1971	E.A.3.88.91							CLAMP, AILERON LOCKING, ASSEMBLY	1	-	B	2/15
									Spares for:-				
	6799	E.A.3.88.103							PENNANT	2	-	C	2/21
	6800	E.A.3.88.101							STRAP, assembly	1	-	C	2/22
	1972	E.A.3.88.92							CLAMP, AILERON LOCKING, ASSEMBLY	1	-	B	2/4
									Spares for:-				
	6799	E.A.3.88.103							PENNANT	2	-	C	2/5
	20738	E.A.3.88.102							STRAP, assembly	1	-	C	2/6

A.P.101B-0417-3A

EQUIPMENT, ANCILLARY

Page G13

GROUND EQUIPMENT

Part Number	Description	No. Off	Matl. Spec.	Plate No.	
					1
EA1.88.73	. CLAMP, ELEVATOR LOCKING, STARBOARD, ASSEMBLY Spares for:—	1	—	2/2	
EA1.88.185	. . PENNANT	1	—	2/7	
A617	. . PIN, "pip"	2	—	2/1	
EA1.88.873	. CLAMP, elevator locking, part	1	—	2/3	
EA3.88.383	. CLAMP, RUDDER LOCKING, ASSEMBLY (Mod.5096) Spares for:—	1	—	2/10	
EEAS.20.2.ER	. . LUG	4	—	2/23	
A413	. . PIN, "pip"	2	—	2/9	
TERRY	. . SPRING	2	—	2/12	
EX.12					
EB7.88.131	. COVERS, window, photo cells	2	—	3/13	
—	. COVERS, SPECIAL, AIRCRAFT, ASSEMBLY EG7.88.271) Consisting of:—	1	—	3/24	
NR1-1AP423	. . COVER, pressure head	1	—	3/28	
EG7.88.275	. . COVER, coupe	1	—	3/16	
EG7.88.277	. . COVER, rear locking radome	1	—	3/10	
EG7.88.369	. COVER, wing tip pod	2	—	2/13	
EA3.88.205	. COVER, used for protection and depressing stud rings when withdrawing fuel tanks No.1 and 2	2	—	6/2	
EA1.88.403	. COVER, engine	2	—	3/9	
EA1.88.405	. COVER, jet pipe	2	—	3/15	
EA1.88.407	. COVER, main wheel	2	—	3/26	
EA1.88.409	. COVER, nose wheel	2	—	3/20	
EA1.88.787	. COVER, equipment door	1	—	3/12	
EG7.88.125	. CRADLE, WING POD LIFTING, ASSEMBLY Spares for:—	1	—	2/16	
†	. . CHAIN, steel, 1/2" x 1/4" x 1/16" dia.	QR	—	2/20	
Z503/36	. . PIN, "pip", type "Z"	4	—	2/18	
CSK.424	. . PIN, support, assembly	4	—	2/19	
EA1.88.417	. CRADLE, retraction test (for use at frame 13)	1	—	2/11	
EA1.88.419	. CRADLE, retraction test (for use at frame 29)	1	—	2/8	
EA1.88.551	. DISC, setting, engine control	2	L72	6/1	
EB6.88.103	. EXTRACTOR, rudder blow black rod	1	—	6/5	
EA1.88.359	. EXTRACTOR, wing to fuselage pick-up pins	1	—	6/6	
EA1.88.375	. EXTRACTOR, for tab torque tube liner	1	—	6/7	
EA1.88.825	. EXTRACTOR, for aileron hinge pin	1	—	6/10	
A6313	. EXTRACTOR, and assembly tool for wheels	1	—		
A10009	. FIXTURE, hydraulic brake alignment	1	—		
—	. FORMERS, MAIN PLANE LIFTING GANTRY, PORT, ASSEMBLY (EA1.88.91) Spares for:—	—	—	3/21	
EA1.88.91A	. . FORMER, wing lifting gantry, forward, port	1	—	3/22	

EQUIPMENT, ANCILLARY

GROUND EQUIPMENT

Part Number	Description	No. Off	Matl. Spec.	Plate No.
EA1.88.91B	. . FORMER, wing lifting gantry, centre, port	1	-	3/23
EA1.88.91C	. . FORMER, wing lifting gantry, aft, port	1	-	3/25
EA1.88.91D	. . FORMER, wing lifting gantry, forward, port	1	-	3/17
EA1.88.91E	. . FORMER, wing lifting gantry, centre, port	1	-	3/18
EA1.88.91F	. . FORMER, wing lifting gantry, aft, port	1	-	3/19
-	. FORMERS, MAIN PLANE LIFTING GANTRY, STARBOARD, ASSEMBLY (EA1.88.92) Spares for:-	-	-	3/5
EA1.88.92A	. . FORMER, wing lifting gantry, forward, starboard	1	-	3/6
EA1.88.92B	. . FORMER, wing lifting gantry, centre, starboard	1	-	3/7
EA1.88.92C	. . FORMER, wing lifting gantry, aft, starboard	1	-	3/8
EA1.88.92D	. . FORMER, wing lifting gantry, forward, starboard	1	-	3/3
EA1.88.92E	. . FORMER, wing lifting gantry, centre, starboard	1	-	3/2
EA1.88.92F	. . FORMER, wing lifting gantry, aft, starboard	1	-	3/4
4Q/1245	. GANTRY, main plane lifting	2	-	3/27
EA1.88.93	. GAUGE, wing incidence dihedral	1	-	3/29
EA3.88.179	. GAUGE, tailplane incidence and dihedral	1	-	3/1
EA1.88.447	. GAUGE, levelling, cockpit lateral and fuselage longeron	1	-	3/14
EA1.88.747	. GAUGE, levelling, cockpit longeron and fuselage lateral	1	-	3/11
EA1.88.823	. GAUGE, aileron fixed tab angle checking	1	-	10/8
EA1.88.893	. GAUGE, inspection, assembly of canopy to fuselage	1	-	10/10
EG7.88.259	. GEAR, LIFTING, FRONT FUSELAGE, ASSEMBLY Spares for:-	1	-	4/9
EG7.88.261	. . BEAM, assembly	1	-	4/14
EA1.88.219	. . NUT	2	-	4/9
A930	. . PIN, "pip", type A	1	-	4/10
EG7.88.269	. . SLING, webbing, assembly	2	-	4/11
EA1.88.785	. GEAR, LIFTING, COMPLETE AIRCRAFT, ASSEMBLY Spares for:-	1	-	4/15
EA3.88.317	. . BOLT, special shouldered	2	S97	4/12
EA3.88.319	. . WASHER, special	2	Comm. MS	4/13
EA1.88.817	. GUARD, AIR INTAKE DEBRIS, ASSEMBLY Spares for:-	2	-	4/16
EA3.88.295	. . BOLT, key	2	Comm. MS	4/7
1B/9575041	. GUN, lubricating	1	-	-
EA1.88.257	. HEAD, 10 ton jack adaptor	2	Comm. MS	4/25

A.P.101B-0417-3A

EQUIPMENT, ANCILLARY
GROUND EQUIPMENT

Part Number	Description	No. Off	Matl. Spec.	Plate No.
R KSE184	. HEAD, adaptor, Mk.27	2	-	4/23
EA3.88.269	. HEAD, jacking, for 15 ton pillar jack	2	-	4/21
EG7.88.109	. HOIST, INSTALLING AND REMOVAL OF ALTERNATOR TURBINE, USING ATTACHMENT HOIST, STARBOARD, GROUP Consisting of:-	1	-	5/6
EG7.88.115	. . BOLT, HOIST SUPPORT ATTACHMENT, GROUP Consisting of:-	2	-	5/17
EG7.88.235	. . . BOLT, special, 2 BA	2	S96	5/19
EG7.88.115A	. . . CHAIN, 1/2" x 1/4" x 1/16" dia.	QR	Cadmium Plated Steel	5/20
EG7.88.119	. . . RING, chain retaining	2	Comm. MS	5/18
A25/5C	. . BOLT, 2 BA hex. head	2	-	5/21
R 4GC/4232337	. . HANDLE, winding	2	-	5/10
R D41-76	. . HOOK, detachable	2	-	5/13
R A41-5	. . MECHANISM, winding, 2-1/2 cwt.	2	-	5/12
EG7.88.121	. . PLATE, identification Attaching parts for EG7.88.121:-	2	Brass	5/14
A32/B8	. . Screw, 4 BA round head	4	-	5/15
EG7.88.111	. . SUPPORT, hoist, starboard	2	S1	5/7
SP13/C	. . WASHER, 2 BA plain	2	-	5/22
EG7.88.123	. HOIST, INSTALLING AND REMOVAL OF ALTERNATOR TURBINE, USING ATTACHMENT HOIST, PORT, GROUP Consisting of:-	1	-	5/11
EG7.88.115	. . BOLT, HOIST SUPPORT ATTACHMENT, GROUP Consisting of:-	2	-	5/17
EG7.88.235	. . . BOLT, special, 2 BA	2	S96	5/19
EG7.88.115A	. . . CHAIN, 1/2" x 1/4" x 1/16" dia.	QR	Cadmium Plated Steel	5/20
EG7.88.119	. . . RING, chain retaining	2	Comm. MS	5/18
A25/5C	. . BOLT, 2 BA hex. head	2	-	5/21
R 4GC/4232337	. . HANDLE, winding	2	-	5/10
R D41-76	. . HOOK, detachable	1	-	5/13
R A41-5	. . MECHANISM, winding, 2-1/2 cwt.	1	-	5/12
EG7.88.121	. . PLATE, identification Attaching parts for EG7.88.121:-	2	Brass	5/14
A32/B8	. . Screw, 4 BA round head	4	-	5/15

EQUIPMENT, ANCILLARY
GROUND EQUIPMENT

Part Number	Description	No. Off	Mati. Spec.	Plate No.
EG7.88.113	. . . SUPPORT, hoist, port	2	S1	5/16
SP13/C	. . . WASHER, 2 BA plain	2	-	5/22
EB7.88.199	. . . HOIST, "MINILIFT", 250 LBS, GREEN SATIN INSTALLATION, GROUP Consisting of:-	1	-	5/4
25/41	. . . END, ball	1	-	5/3
39/2	. . . HANDLE, winding, c/w slipping clutch, 6"	1	-	5/9
25/63	. . . HOIST, winding, 250 lb, 20 ft lift	1	-	5/8
30/14	. . . SHEATH, top	1	-	5/1
29/13	. . . TUBE, extension, 4-1/2"	1	-	5/2
EA1.88.831	. . . INDICATOR, engine controls setting disc	1	DTD124	6/11
EA1.88.349	. . . INSERTER, piston ring, main undercarriage oleo leg	1	L72	6/12
EA1.88.363	. . . INSERTER, wing to fuselage pick-up pins	1	-	6/14
EA1.88.383	. . . INSERTER, main oleopivot point brush	1	-	6/16
EA1.88.389	. . . INSERTER, for bushes in torque links, main oleo leg	1	-	6/15
EA1.88.391	. . . INSERTER, and extractor, for sealing rings, main oleo leg	1	-	10/6
EA1.88.733	. . . INSERTER, main undercarriage pivot pin	1	-	6/13
SK1188ZA	. . . JACK, hydraulic, 5 ton, fuselage	1	-	4/17
GM10122	. . . JACK, hydraulic, 10 ton, main wing	2	-	4/24
GM10334	. . . JACK, hydraulic pillar, 15 ton	2	-	4/22
EG7.88.89	. . . KEY, ARMING, WING TIP POD R.B.W. ASSEMBLY Consisting of:-	1	-	8/23
EG7.88.83	. . . KEY	1	S92	8/22
EG7.88.87	. . . PENNANT, marker flag	1	DTD407A	8/25
EG7.88.91	. . . RING, split, 1-1/4" o/d	1	-	8/24
EA1.88.395	. . . KEY, hydraulic tank	1	-	6/17
EG7.88.153	. . . LEAD, no volts test, on wing tip containers	1	-	
EG7.88.155	. . . LEAD, adaptor, for no volts test on wing tip containers	1	-	
EA1.40.169	. . . LUG, picketing	2	S11	4/27
R D2606Y	. . . NOZZLE, flexible, c/w gauge	1	-	
EA1.88.255	. . . PIN, nose wheel locking	1	-	4/2
EA1.88.891	. . . PIN, locating (ST8/4842)	6	-	6/18
EA1.88.547	. . . PLATE, setting, bell crank lever, engine control, port	1	-	6/8
EA1.88.548	. . . PLATE, setting, bell crank lever, engine control, starboard	1	-	6/9
EA1.88.549	. . . PLATE, setting, throttle box	1	-	6/19
EA3.88.281	. . . PLUG, BLANKING, CABIN PRESSURE CONTROL VALVE, GROUP Consisting of:-	1	-	4/6
R †	. . . CHAIN, retaining	QR	Brass	4/5
R EA2.88.77	. . . PENNANT	1	-	4/1
R EA3.88.283	. . . PLUG	1	L40	4/3
R †	. . . RING, split 3/4" o/d x 1/16" dia.	2	-	4/4
R 6A/4333059	. . . PLUG, protective, static vent	4	-	
R 4G/4420031	. . . PUMP, oleo, type F	1	-	

EQUIPMENT, ANCILLARY
GROUND EQUIPMENT

Part Number	Description	No. Off	Matl. Spec.	Plate No.
R EG7.88.5053	. RIG, test, liquid cooling circuit 30004-378-T-17H (Mod 5540) Spares for:-	1	-	12/8
R EG7.88.5053.24	. . . ADAPTOR	2	-	12/9
R EG7.88.5053.11	. . . ADAPTOR, gauge	2	-	12/10
R EG7.88.5053.5	. . . ADAPTOR, hose	2	-	12/11
R AGS1105E	. . . ADAPTOR, union	2	-	12/12
R EG7.88.5053.35	. . . BASE, leg, RH	1	-	12/13
R EG7.88.5053.36	. . . BASE, leg, LH	1	-	12/14
R EG7.88.5053.15	. . . BLOCK, junction	1	-	12/15
R EG7.88.5053.27	. . . BLOCK, junction Attaching parts for EG7.88.5053.27:-	1	-	12/16
R EG7.88.5053.30	. . . Nut, M10	2	-	12/17
R EG7.88.5053.32	. . . Screw, M10 hex. head	2	-	12/18
R EG7.88.5053.31	. . . Washer, M10	4	-	12/19
R EG7.88.5053.42	. . . BOTTLE, plastic	1	-	12/20
R EG7.88.5053.37	. . . BRACE Attaching parts for EG7.88.5053.37 :-	3	-	12/21
R EG7.88.5053.46	. . . Nut, M6	6	-	12/22
R EG7.88.5053.47	. . . Washer, M6	6	-	12/23
R PAN4 174.50 or	. . . COUPLING, "V" band	1	-	12/24
R BESTOBELL 30M57.050 or	. . . COUPLING	1	-	
R AEROQUIP NM102387.0200	. . . COUPLING	1	-	
R EG7.88.5053.1	. . . GAUGE, pressure 1/2" BSP 6" dia. 0-300 KPa	2	-	12/25
R EG7.88.5053.33L	. . . GUIDE, LH	1	-	12/26
R EG7.88.5053.33R	. . . GUIDE, RH Attaching parts for EG7.88.5053.33L/R:-	1	-	12/27
R EG7.88.5053.34	. . . Screw, M5	4	-	12/28
R EG7.88.5053.43	. . . HOLDER, bottle	1	-	12/29
R EG7.88.5053.21	. . . HOLDER, orifice, plate	2	-	12/30
R EG7.88.5053.6	. . . HOSE, assembly Spares for:-	2	-	12/31
R C751.10	. . . ELBOW, 90°	1	-	12/32
R H178	. . . HOSE, high pressure	1	-	12/33
R C701.10	. . . UNION	1	-	12/34
R EG7.88.5053.44	. . . LABEL, instruction	1	-	12/35
R BVH2	. . . NIPPLE, bleed air	1	-	12/36
R HTE714.23H	. . . NIPPLE, minilock	1	-	12/37

EQUIPMENT, ANCILLARY
GROUND EQUIPMENT

Part Number	Description	No. Off	Matl. Spec.	Plate No.
R PAN4050.06 or	. . NUT, thrust	2	-	12/38
R AS46730.06	. . NUT, thrust	2	-	
R EG7.88.5053.26	. . PIPE	3	-	12/39
R EG7.88.5053.40	. . PIPE, plastic, 5/16" i/d x 100 mm	1	-	12/40
R EG7.88.5053.18	. . PLATE, orifice	1	-	12/41
R EG7.88.5053.19	. . PLATE, orifice	1	-	12/42
R EG7.88.5053.20	. . PLATE, orifice	1	-	12/43
R R140P60	. . RING "O"	2	-	12/44
R HTE714.23G	. . SOCKET, 'minilock'	1	-	12/45
R EG7.88.5053.23	. . VALVE, ball plug, type M	1	-	12/46
R EG7.88.5053.10	. . VALVE, relief	2	-	12/47
R AGS1186E	. . WASHER, bonded	4	-	12/48
R AGS1186F	. . WASHER, bonded	2	-	12/49
R PP45A	. . WASHER, bonded	1	-	12/50
R PAN4045.06 or	. . WIRE, thrust	2	-	12/51
R AS46732.06	. . WIRE, thrust	2	-	

EQUIPMENT, ANCILLARY
GROUND EQUIPMENT

Part Number	Description	No. Off	Matf. Spec.	Plate No.
1C/9105853	. SCREW-DRIVER	1	-	
EA1.88.599	. SEAL, engine dust	2	-	7/12
EA1.88.797	. SLAVE, COWLING, PORT, ASSEMBLY	1	-	4/28
	Spares for:-			
EA1.50.1055	. . COVER, plate, debris guard attachment plate	2	L72	4/32
EA1.88.809	. . PIPE, EXHAUST, ASSEMBLY	2	-	4/30
	Spares for:-			
R EA3.88.5095	. . . BOLT, securing assembly (Mod 5533)	3	-	4/30A
	Spares for:-			
EA1.88.853 BOLT, special	1	-	4/34
EA1.88.855 PLATE, swivel	1	-	4/35
AS460/214 RIVET, 1/8" dia. 90° csk	1	-	4/36
EA1.88.813 SCREW, special	1	-	4/31
EA1.88.849	. . SCREW, special	2	S11	4/33
EA1.88.851	. . SCREW, special	4	S11	4/26
EA1.88.798	. SLAVE, COWLING, STARBOARD, ASSEMBLY	1	-	4/29
	Spares for this assembly are identical with those for Ref.95091			
EA1.88.743	. SLEEVE, MAIN UNDERCARRIAGE WHEEL LOCKING, ASSEMBLY	2	-	7/13
	Spares for:-			
EA2.88.77	. . PENNANT	2	-	7/16
A817	. . PIN, pip, type A	2	-	7/17
4GC/4232188	. SLING, RA3 engine	1	-	7/11
EA1.88.919	. SLING, and frame assembly (Mainplane) (Mod GE5224)	1	-	7/15
	Spares for:-			
EA1.88.925	. . BOLT, and nut assembly	3	-	
EA1.88.931	. . BOLT	3	-	
EA1.88.927	. . HOOK	1	-	
EA1.88.933	. . LABEL, ident	1	-	
EA1.88.923	. . RING	3	-	
EA1.88.921	. . SHACKLE	6	-	
	Attaching parts:-			
EA1.88.929	. . Bolt	1	-	
MS103/28	. . Nut	1	-	
SP18/J	. . Washer	1	-	
EA1.88.59	. SLING, tailplane	1	-	7/4
EA1.88.61	. SLING, centre fuselage lifting, complete	1	-	7/3
EA1.88.65	. SLING, REAR FUSELAGE LIFTING, COMPLETE	1	-	7/5
	Spares for:-			
EA1.88.267A	. . BOLT, retaining	1	-	7/6
EB7.88.135	. SLING, green satin tracking unit	1	-	7/10
EB7.88.143	. SLING, rear, green satin T/R unit	1	-	7/18
EB7.88.183	. SLING, front, green satin S/T unit	1	-	7/14
EA1.88.601	. SLING, fin and rudder	1	-	7/2
EA1.88.741	. SLING, combined nose and mid, fuselage lifting	1	-	7/8
1L/9106389	. SOCKET, 7/16" BSF, for explosive bolts	1	-	
1L/9106397	. SOCKET, 3/4" BAF, for attachment bolts	1	-	
1L/9106401	. SOCKET, 1" BSF, for attachment bolts	1	-	
1C/9106265	. SPANNER, union, main fuel feed	1	-	

EQUIPMENT, ANCILLARY

GROUND EQUIPMENT

Part Number	Description	No. Off	Mati. Spec.	Plate No.
EA3.88.135	. SPANNER, special, main undercarriage oleo axle clamp	1	Steel	11/8
EA3.88.303	. SPANNER, special, main undercarriage oleo bearing ring	1	Steel	11/10
EA1.88.345	. SPANNER, torque link, main undercarriage	1	DTD124	11/5
EA1.88.347	. SPANNER, special, "C", main undercarriage oleo stop nut	1	-	11/3
EA1.88.353	. SPANNER, special, main undercarriage oleo piston	1	-	11/4
EA1.88.365	. SPANNER, special, plug, forward jacking point housing	1	-	11/1
EA1.88.385	. SPANNER, special, for undercarriage pivot pin	1	MS	11/11
EA1.88.387	. SPANNER, special, for undercarriage pivot nut	1	MS	11/2
EA1.88.531	. SPANNER, special, for drop tank	1	MS	11/6
EA1.88.749	. SPANNER, forward bomb crutch	1	-	11/7
EA1.88.877	. SPANNER, nose-wheel door	1	-	11/9
EA1.88.23	. SPIGOT, forward jacking, front fuselage	1	S65	7/7
EA3.88.273	. STRAP, metal, for use with combined nose and fuselage sling	1	-	7/9
EA1.88.799	. STRUT, jury, tailplane, for use when actuator is removed	1	-	7/1
EG7.88.47	. TABLE, MAGAZINE LIFTING, ASSEMBLY	1	-	9/18
	Spares for:-			
EG7.88.183	. . . BOLT, special, 1/2" BSF	4	S96	9/38
EG7.88.295	. . . BOLT, special, 1/2" BSF	4	S96	9/39
†	. . . CHAIN, link, 1/2" x 1/4" x 1/16" dia.	QR	Steel	9/37
EG7.88.51	. . . END-LOCATOR, ASSEMBLY	1	Comm. MS	9/26
	Spares for:-			
†	. . . CHAIN, link, 1/2" x 1/4" x .062" dia	QR	Steel	9/23
EG7.88.79	. . . LOCATOR, plug	1	S56	9/24
A417	. . . PIN, "pip", type A	1	-	9/25
EG7.88.57	. . . ROLLER, ASSEMBLY	2	S95	9/28
	Spares for:-			
EG7.88.61 BUSH	1	Bronze BS369	9/29
	Attaching parts for EG7.88.57:-			
A27/GS	. . . Nut, 5/16" BSF slotted	1	-	9/30
SP90/C7	. . . Pin, split	1	-	9/31
EG7.88.63	. . . Washer, special	1	S1	9/32
EG7.88.56	. . . SPINDLE, roller	2	S95	9/33
	Attaching parts for EG7.88.55:-			
A25/1B	. . . Bolt, 4" BA hex. head	5	-	9/34
SP13/N	. . . Washer, 1/2" BSF plain	2	-	9/35
EG7.88.297	. . . PAD	4	S92	9/27
A405	. . . PIN, "pip", type A	2	-	9/36

GROUND EQUIPMENT

Ref. No.	Part No.	Description	No. off	Mati. Spec.	Cl. of Equip. M.R. L.M.	Fig. and Index
	-	TEMPLATES, NEUTRAL RIGGING, ASSEMBLY (E.A3.88.221) Spares for:-	-	-	-	10/3
95265	E.A3.88.247	TEMPLATE, neutral rigging, rudder	1	-	B	10/1
95266	E.A3.88.257	TEMPLATE, neutral rigging, aileron	1	-	B	10/2
95267	E.A3.88.223	TEMPLATE, neutral rigging, elevator	1	-	B	10/5
95619	E.A3.88.5053	TEST-SET, AIR VENTILATED SUIT, ASSEMBLY Consisting of:-	1	-	A	8/34
	E.A3.88.5069	ADAPTOR, test gauge, assembly	1	-	-	8/27
	E.A3.88.5077	ADAPTOR, test gauge, assembly	1	-	-	8/26
	E.A3.88.5055	CASE, carrying, assembly	1	-	-	8/32
	6685-420483	GAUGE, test, 0-30 lb sq. in	1	-	-	8/35
	6685-420491	GAUGE, test, 0-200 lb sq. in	1	-	-	8/33
	E.A3.88.5057	ORIFICE, test	3	-	-	8/30
	E.A3.88.5059	PLUG, blanking, assembly	1	-	-	8/31
	E.A3.88.5061	PLUG, blanking, assembly	1	-	-	8/28
	E.A3.88.5063	PLUG, blanking, assembly	1	-	-	8/29
95649	E.G7.88.299	TDOL, SETTING, WING-TIP POD, GROUP Consisting of:-	1	-	A	8/20
	E.G7.88.307	BASE	1	Comm. MS	-	8/7
	E.G7.88.313	BUSH, locating	2	Steel	-	8/8
	E.G7.88.327	GASKET, setting, assembly Attaching parts for E.G7.88.327:-	1	-	-	8/18
	E.G7.88.341	Retainer, gasket	5	EN3	-	8/19
	UNBRAKO SERIES C	Screw, socket head, 4 BA x 5/8" long	5	-	-	8/21
	E.G7.88.315	GAUGE, setting, armed position	1	Steel	-	8/1
	E.G7.88.319	GAUGE, "no-go", armed position	1	Steel	-	8/3
	E.G7.88.323	GAUGE, go, transit lock position	1	Steel	-	8/4
	EEAS.315/4	LANYARD, "pip", pin	1	-	LM	8/5
26DK/34348	EEAS.315/10	LANYARD, setting gauge ring	3	-	C	8/6
28FP/4062323	A417	PIN, "pip", type A	1	-	C	8/2
	E.G7.88.347	PLATE, identification Attaching parts for E.G7.88.347:-	1	Brass	-	8/15
28S/9992525	A32/B12	Screw, 4 BA round head	4	-	C	8/13
	E.G7.88.329	RING, chain and gauge connecting	6	Steel	-	8/11
28E/9153406	TERRY TYPE 169/1"	RING, split	1	-	C	8/12
	E.G7.88.309	SPIGOT, retaining Attaching parts for E.G7 88.309:-	1	Steel	-	8/16
	UNBRAKO SERIES C	Screw, socket head, 2 BA x 5/8" long	4	-	-	8/17

EQUIPMENT, ANCILLARY

GROUND EQUIPMENT

Ref. No.	Part No.	Description							No. off	Matl. Spec.	Cl. of Equip. M.R. L.M.	Fig. and Index
		1	2	3	4	5	6	7				
	E.G7.88.311	SPIGOT, retaining							1	Steel	-	8/9
	UNBRAKO SERIES C	Attaching parts for E.G7.88.311:-										
	20778	Screw, socket head, 2 BA x 5/8" long							4	-	-	8/10
	95061	TAB, locking							1	L72	C	8/14
	95062	TOOL, shock absorber piston centralising							1	-	A	10/4
	95101	TOOL, special combination, main undercarriage oleo							1	-	C	10/7
	95082	insertion and retraction of spherical bearing										
	E.A1.88.821	TOOL, setting, aileron fixed tab							1	-	B	10/9
	MARTIN BAKER A/MBEU/70/EE	TOQL, for cocking and uncocking snatch unit							1	-	C	-
	-	TRESTLES, REAR FUSELAGE, ASSEMBLY							-	-	-	9/11
	-	(E.A1.88.87)										
	-	Spares for:-										
	95017	FORMER, forward							1	-	B	9/16
	95018	FORMER, aft							1	-	B	9/13
	4Q/4230849	TRESTLE, Mk.1							2	-	B	-
	4Q/4230643	TRESTLE, fuselage jacking, MK.2							1	-	B	9/14
	95083	TROLLEY, BOMB BAY PACK LOADING, ASSEMBLY							1	-	A	9/20
	-	Spares for:-										
	95487	WHEEL, trolley (Capewheel T.82)							4	-	B	9/19
	95431	TROLLEY, front and rear, for green satin installation ...							1	-	A	5/5
	4F/1041044	TROLLEY, pressure cabin testing, Mk.1							1	-	A	-
	4F/2088744	TROLLEY, hydraulic servicing, Mk.1A							2	-	A	-
	E.G7.88.283	TROLLEY, PRESSURE CABIN GROUND MAINTENANCE, ASSEMBLY							-	-	-	9/22
	-	Spares for:-										
	95643	FORMER, and cradle, front, assembly							1	Spruce wood	C	9/15
	95644	FORMER, and cradle, rear, assembly							1	Spruce wood	C	9/12
	95487	WHEEL, trolley (Capewheel T.82)							4	-	B	9/21
	95639	TABLE, FOR INSTALLING AND REMOVING UNITS, ASSEMBLY							1	-	A	9/10
	-	Spares for:-										
	E.G7.88.349	BOLT, special, 3/8" BSF							4	S95	-	9/5
	†	CHAIN, steel, 5/16" x 3/8", 16 SWG							QR	-	-	9/6
	28FP/4062323	PIN, "pip", type A							2	-	C	9/4
	E.G7.88.335	RAIL, guide							2	Comm. MS	-	9/1
	-	Attaching parts for E.G7.88.335:-										
	28D/9138768	Bolt, 2 BA hex. head							8	-	C	9/2
	28W/9419402	Washer, 2 BA plain							8	-	C	9/3

R
R

EQUIPMENT ANCILLARY
GROUND EQUIPMENT

Ref. No.	Part No.	Description	No. off	Matl. Spec.	Cl. of Equip. M.R. L.M.	Fig. and Index
	E.G7.88.337	SUPPORT, rail	4	—	—	9/7
		Attaching parts for E.G7.88.337:—				
28D/9138768	A25/1/2C	Bolt, 2 BA hex. head	4	—	C	9/8
28W/9419402	SP13/C	Washer, 2 BA plain	4	—	C	9/9
95640	E.G7.88.345	TRUCK, "SHERPA", special handling, for	1	—	A	9/17
		installing and removal of bomb bay pack units (SALISBURY ENG. 131.AB.5001)				
R 1C/1201252	JENKS BROS EVT.360	WRENCH, torque, for explosive bolts, canopy to	1	—	A	
		fuselage attachment				
R 1C/1201263	†	WRENCH, torque, for attachment bolts	1	—	A	
	—	TRANSPORTATION EQUIPMENT	—	—	—	
95279	†	BEAM, transportation, fuselage nose (43G/SAL/180)	1	Deal	B	
95280	†	BEAM, transportation, mid-section, front fuselage ..	1	Deal	B	
		(43G/SAL/180)				
95281	†	BEAM, transportation, fuselage, rear section (rear) ..	1	Deal	B	
		(43/SAL/181)				
95282	†	BEAM, transportation, fuselage, rear section (front) .	1	Deal	B	
		(43G/SAL/181)				
95285	†	BEAM, transportation, fuselage, mid-section (rear) ..	1	Ash	B	
		(43G/SAL/182)				
95289	†	BEAM, transportation, mainplane, outer, port	1	Ash	B	
		(43G/SAL/194)				
95290	†	BEAM, transportation, mainplane, outer, starboard .	1	Ash	B	
		(43G/SAL/194)				
95291	†	BEAM, transportation (support blocks) mainplane ..	1	RSJ	B	
		(43G/SAL/195)				
95286	†	BLOCK, transportation, mainplane, front	2	Ash	B	
		(43G/SAL/185)				
95287	†	BLOCK, transportation, mainplane, rear	2	Ash	B	
		(43G/SAL/185)				
95288	†	BLOCK, transportation, mainplane, centre	2	Ash	B	
		(43G/SAL/185)				
95598	†	CLAMP-PLATE, front, No. 2 universal trestle, front ..	1	MS	B	
		and mid-section transportation	Set			
		(41G/SAL/297)				
95599	†	CLAMP-PLATE, rear, No. 2 universal trestle, front ...	1	MS	B	
		and mid-section transportation	Set			
		(41G/SAL/298)				
95283	†	PEDESTAL, transportation, tailplane (43G/SAL/183) .	1	MS	B	
95284	†	PEDESTAL, transportation, tailplane (43G/SAL/184) .	2	MS	B	

EQUIPMENT, ANCILLARY
GROUND EQUIPMENT

Ref. No.	Part No.	1 2 3 4 5 6 7	Description	No. off	Matl. Spec.	Cl. of Equip. M.R. L.M.	Fig. and Index

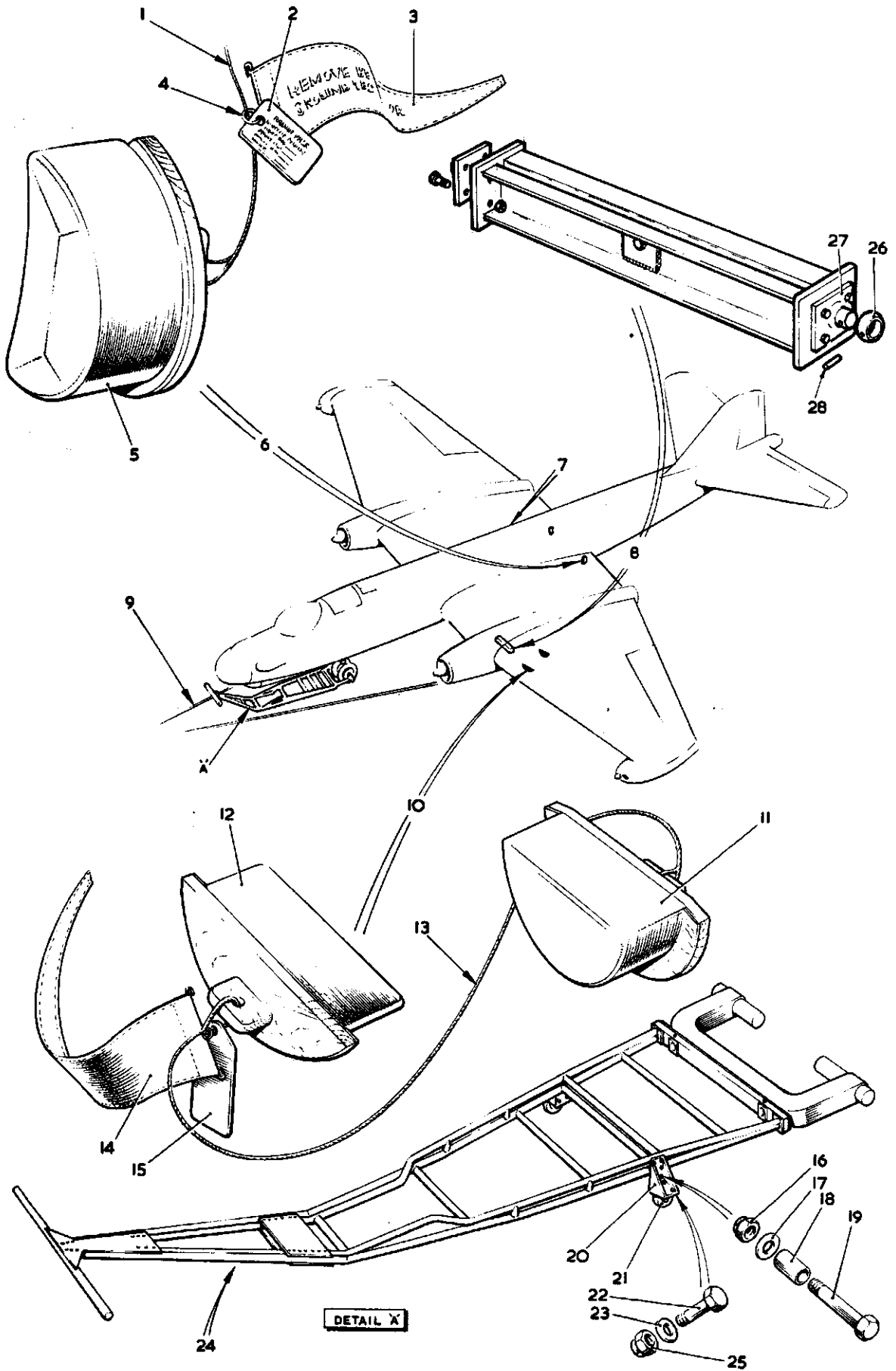


FIG.1 GROUND EQUIPMENT
Restricted

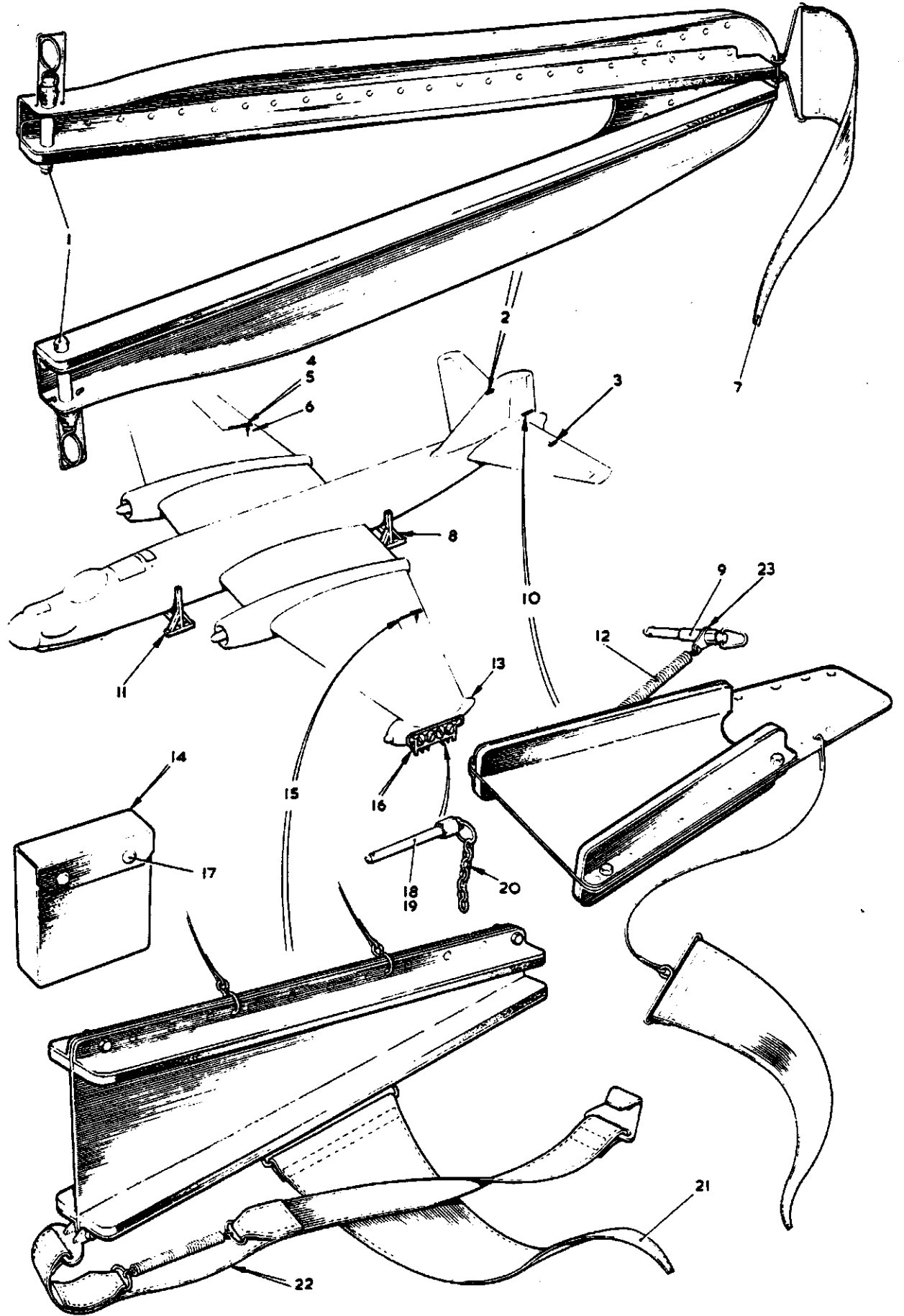


FIG.2 GROUND EQUIPMENT

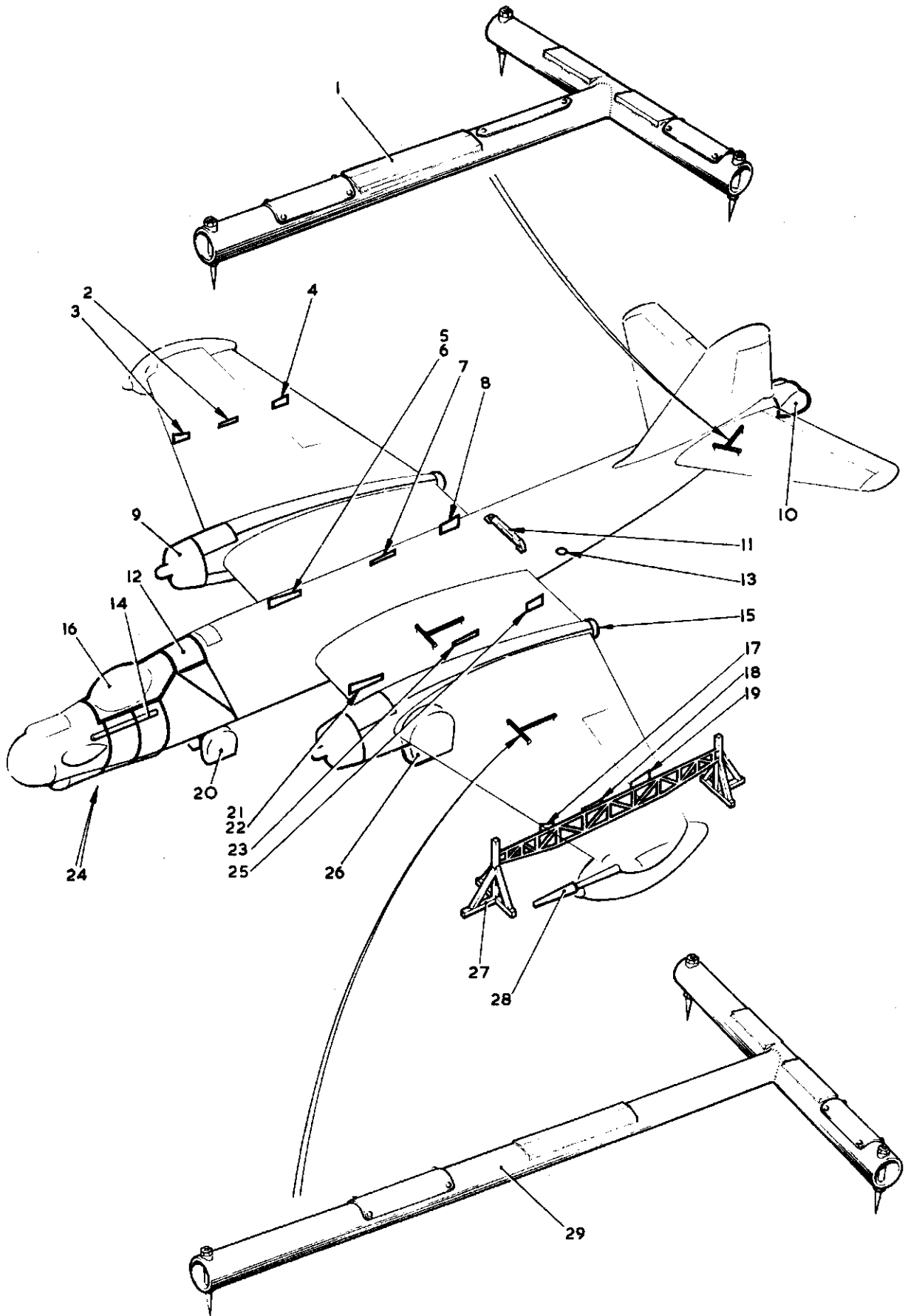


FIG3. GROUND EQUIPMENT
Restricted

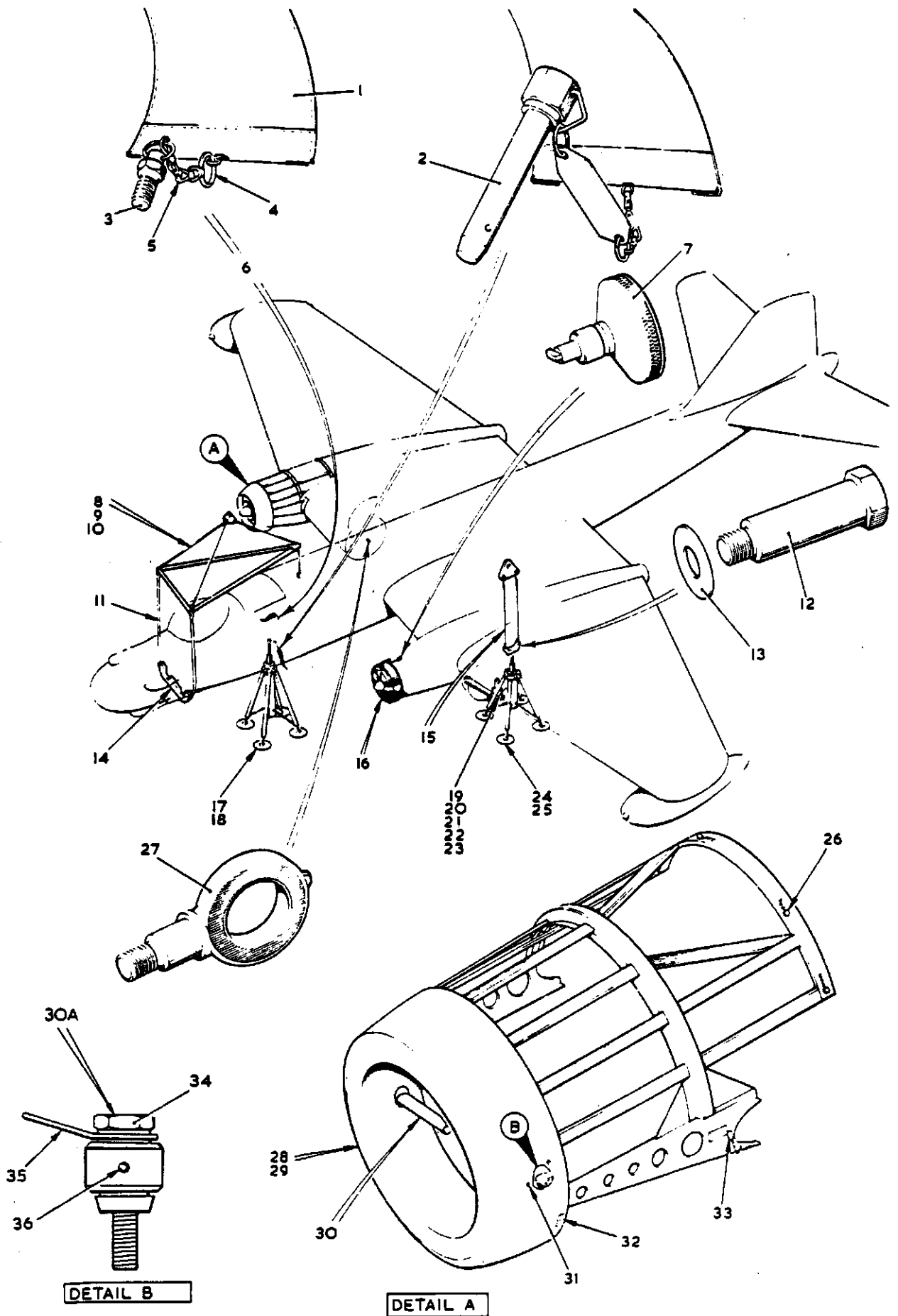


FIG. 4 GROUND EQUIPMENT

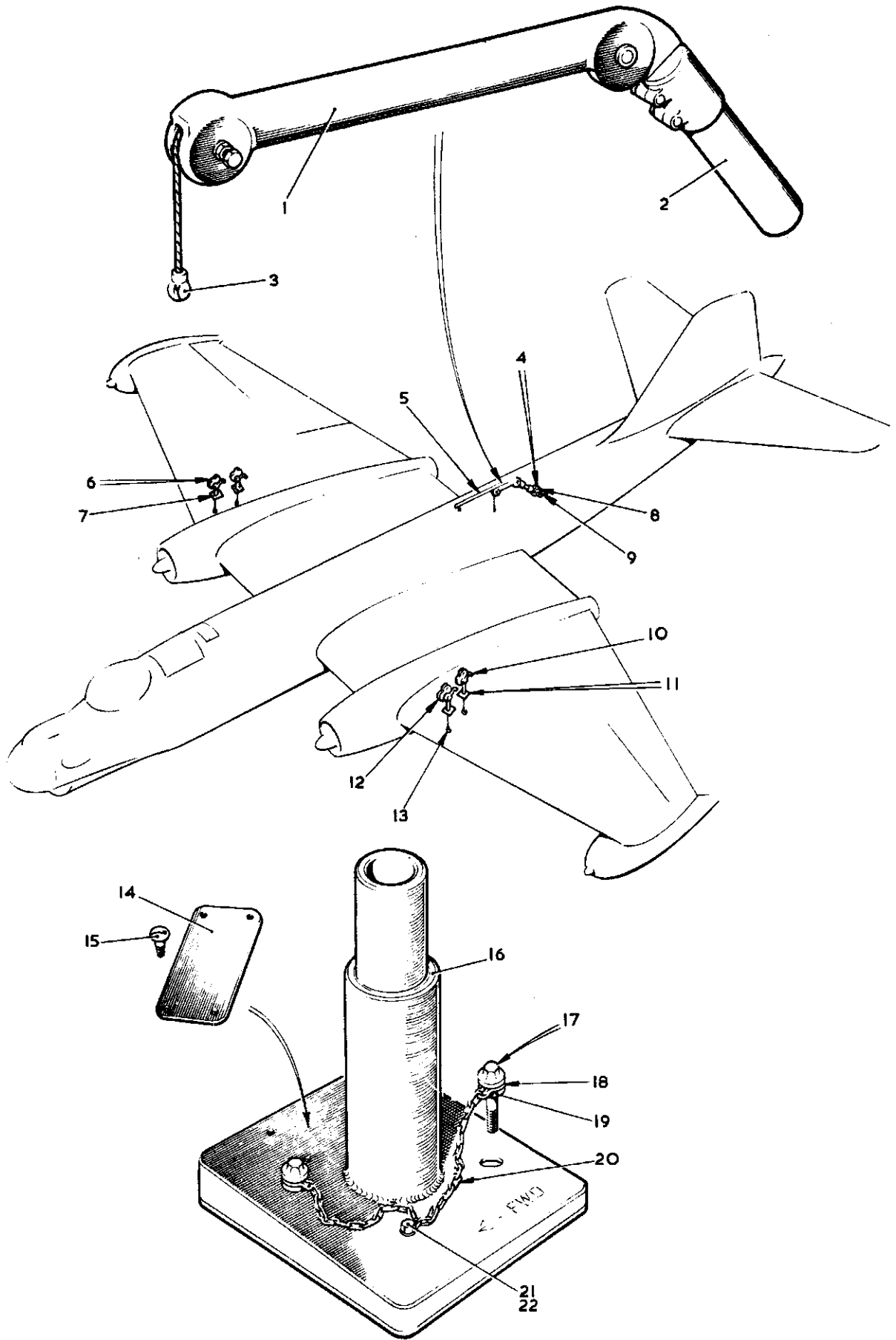


FIG 5. GROUND EQUIPMENT
Restricted

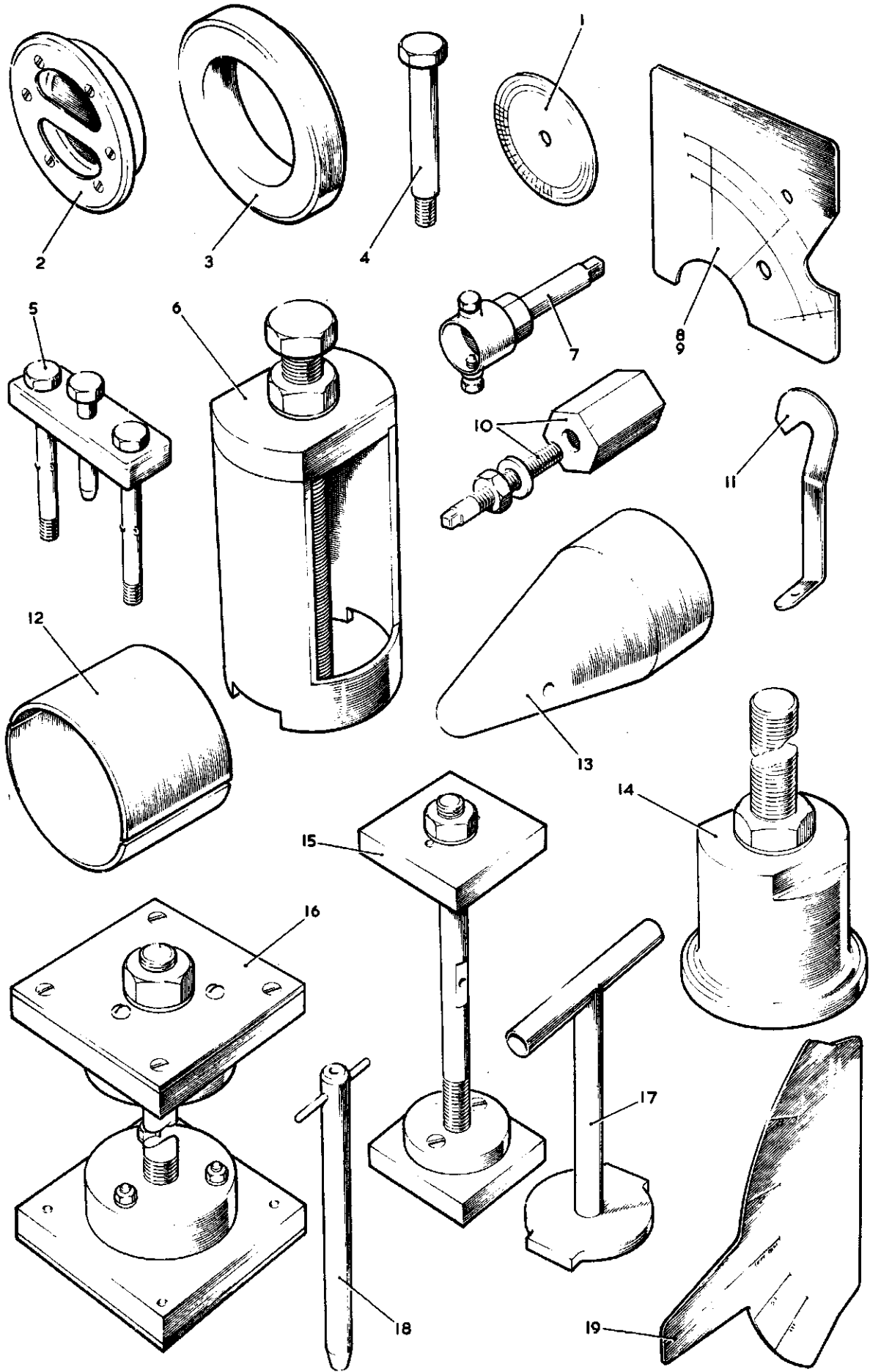


FIG 6. GROUND EQUIPMENT
Restricted

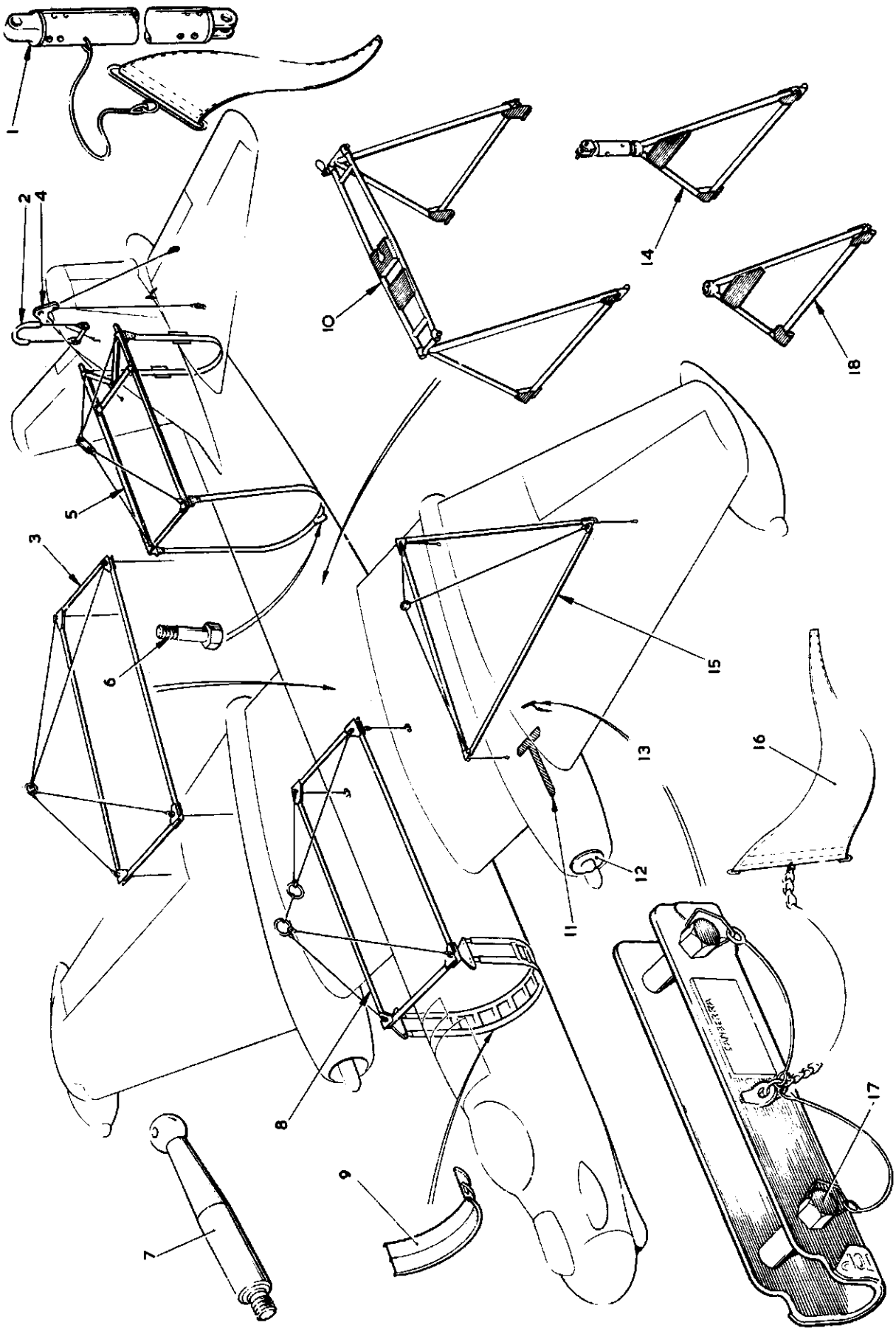


FIG 7. GROUND EQUIPMENT
Restricted

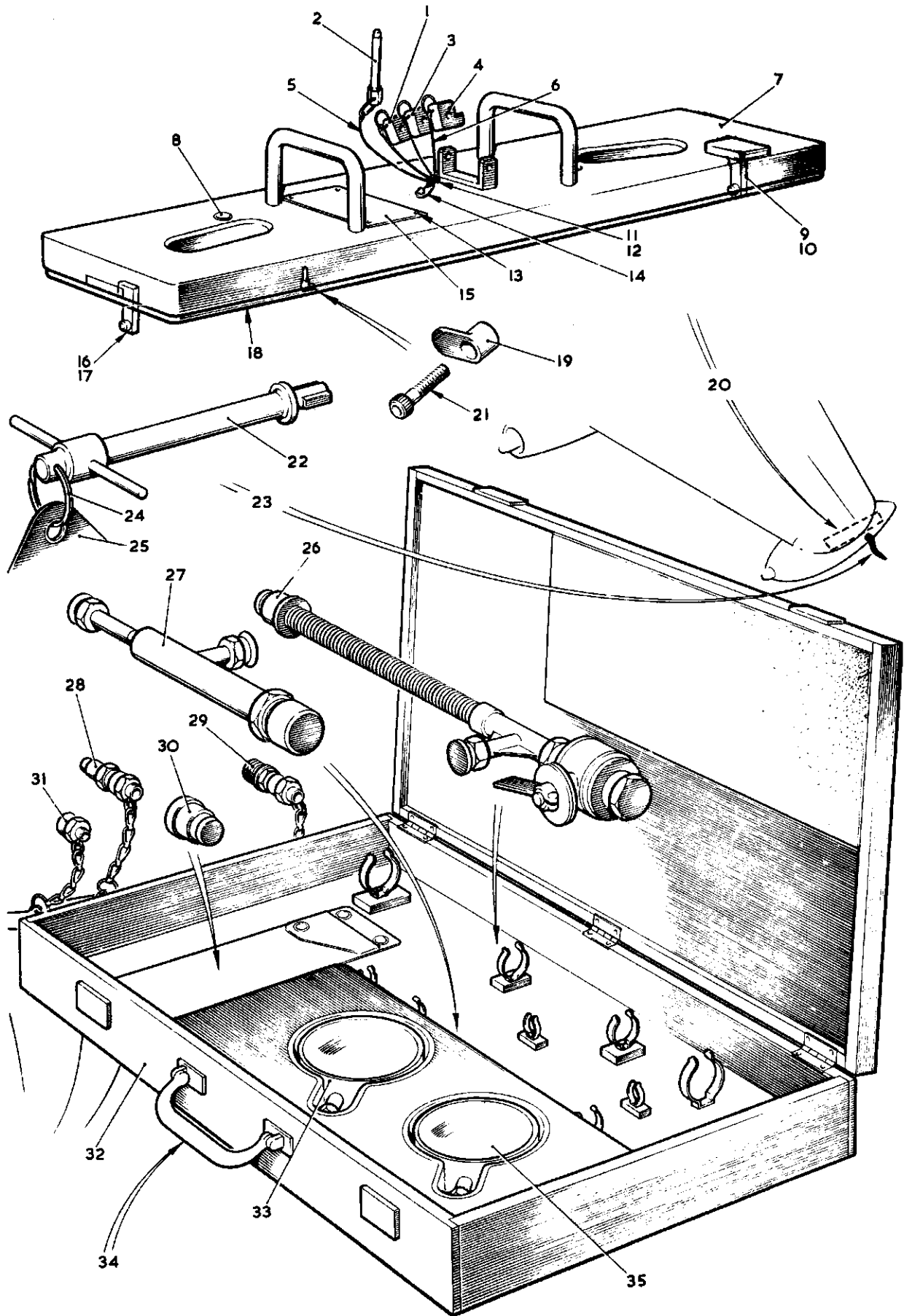


FIG 8. GROUND EQUIPMENT
Restricted

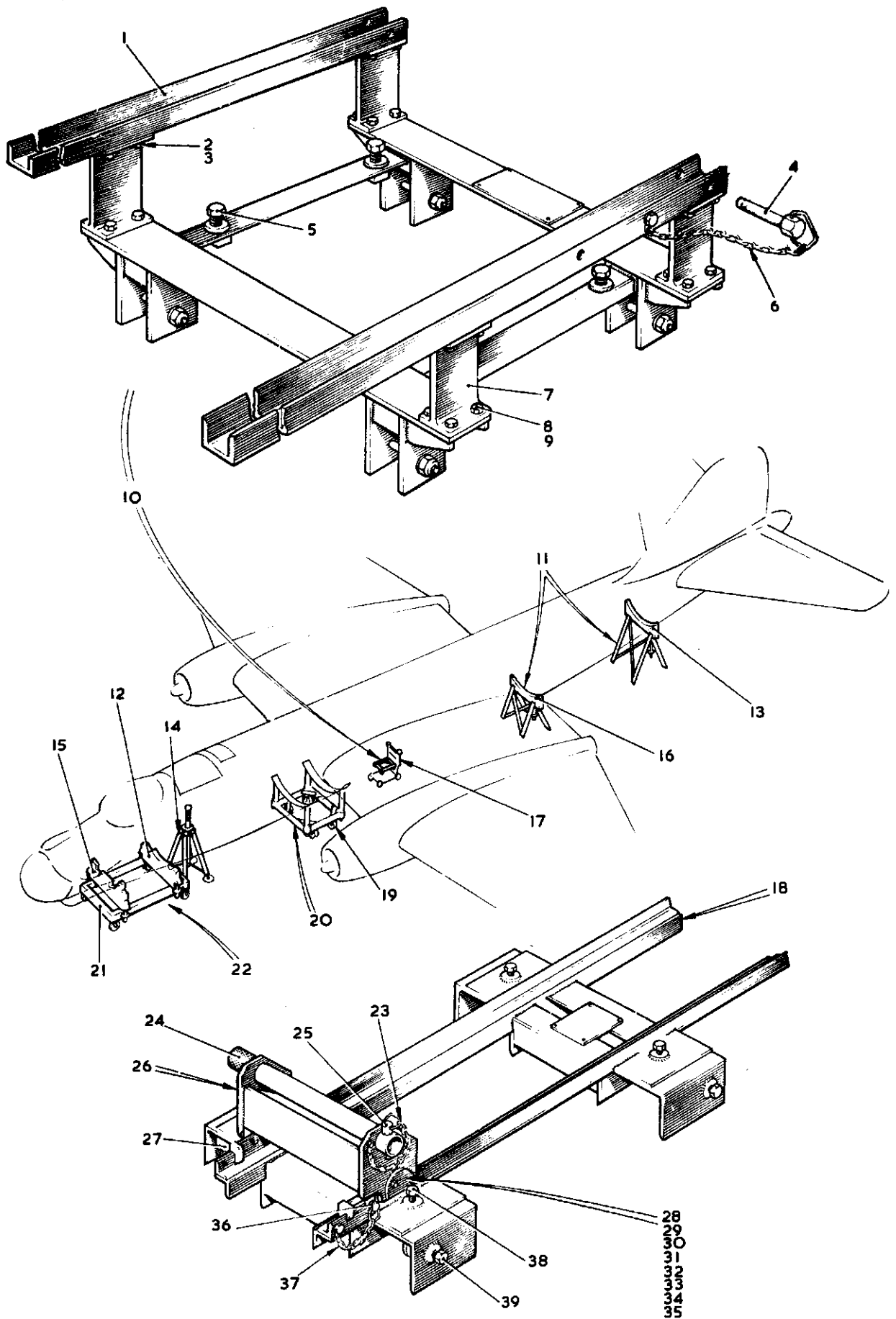


FIG 9. GROUND EQUIPMENT
Restricted

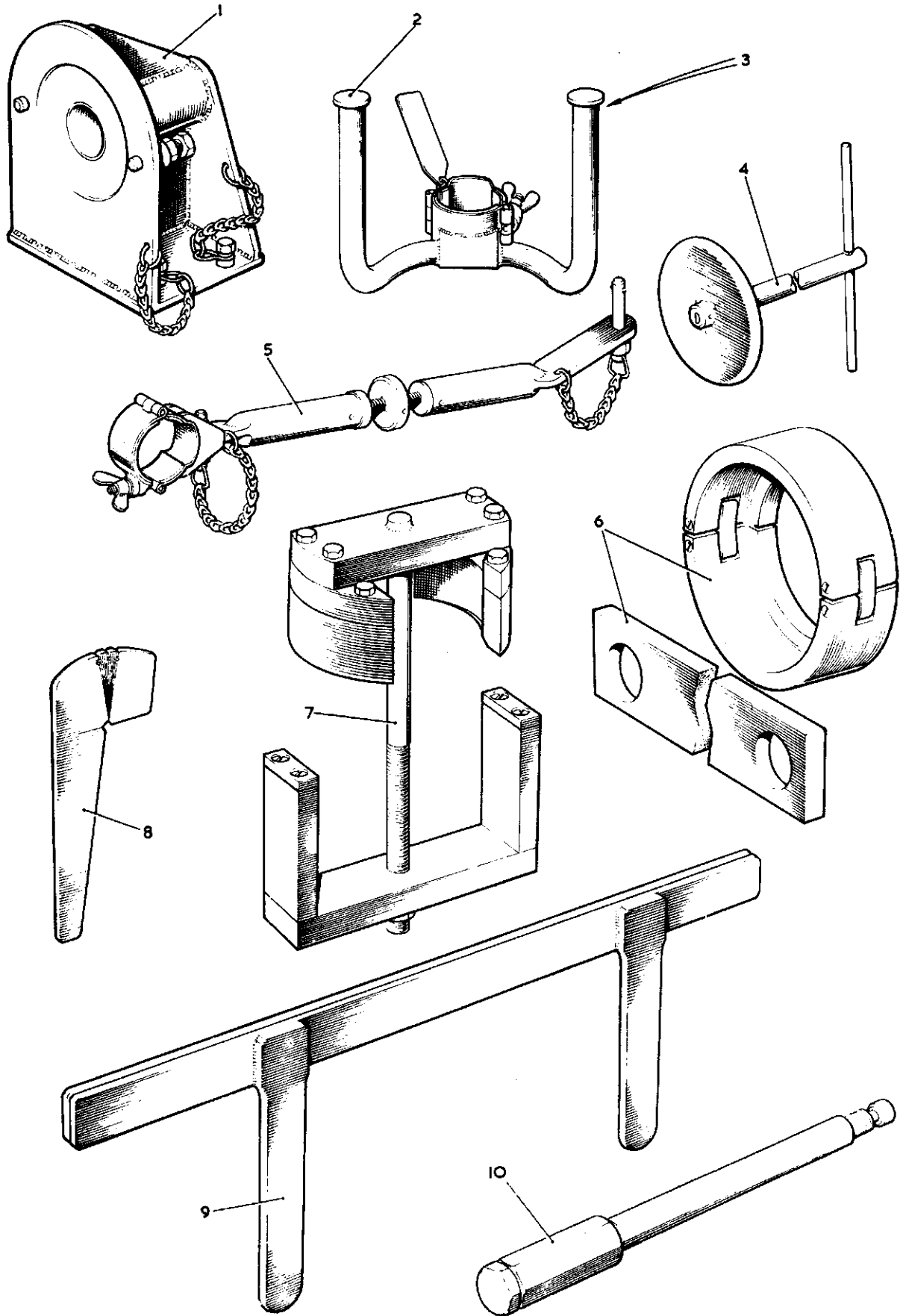


FIG 10. GROUND EQUIPMENT
Restricted

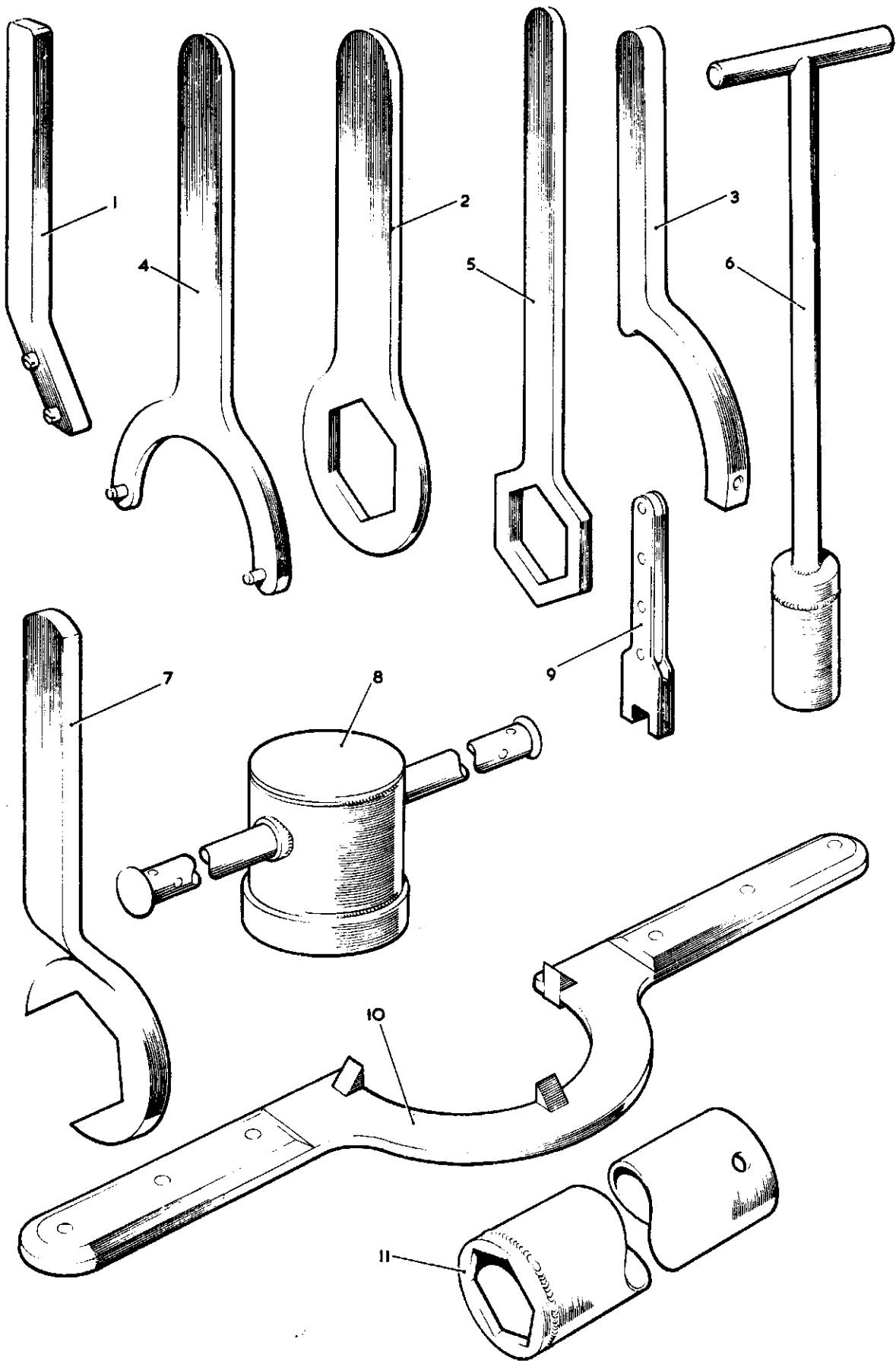


FIG II. GROUND EQUIPMENT
Restricted

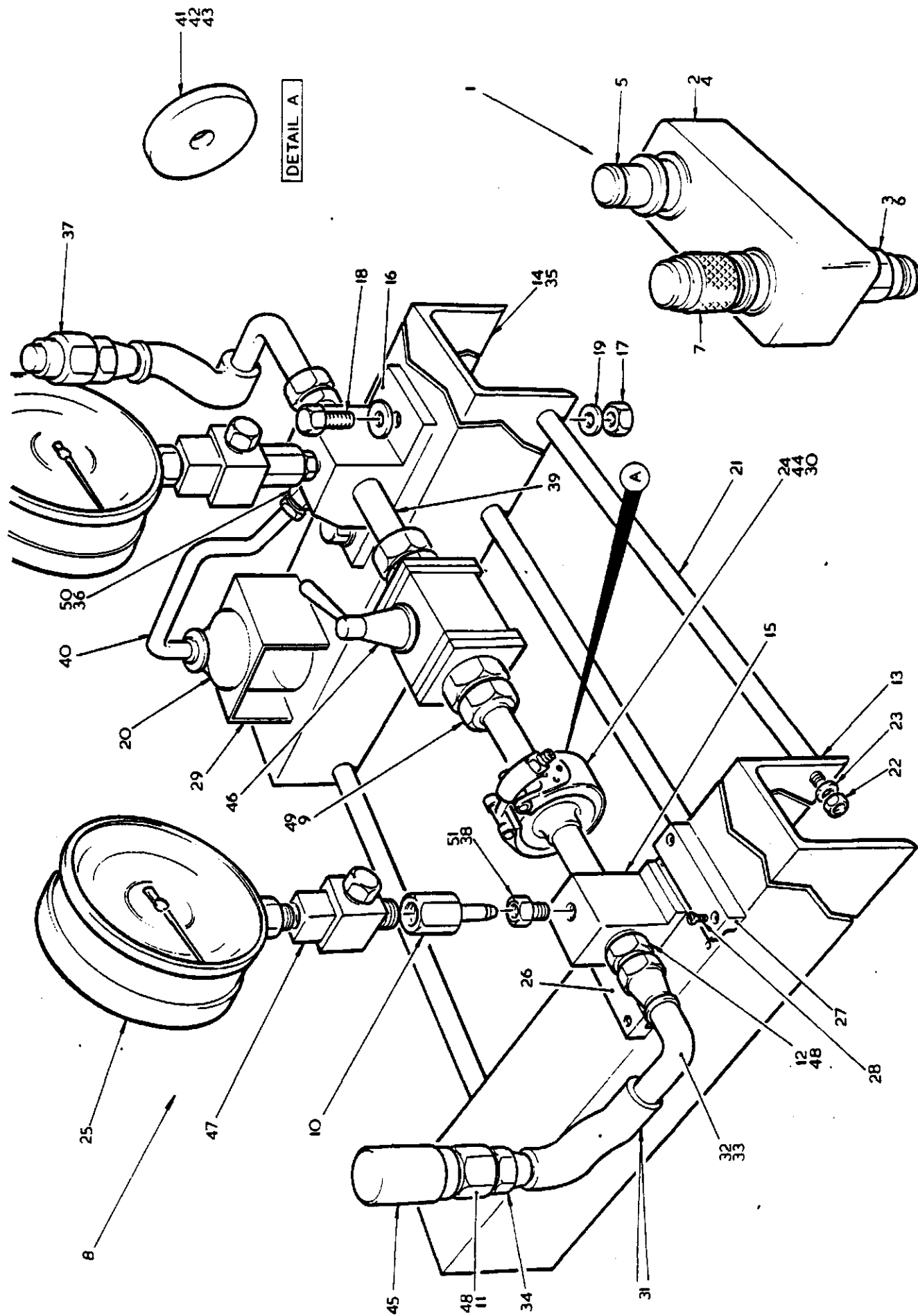


FIG.12 EQUIPMENT ANCILLARY GROUND EQUIPMENT

T.MK.17 SECT.G

This file was downloaded
from the RTFM Library.

Link: www.scottbouch.com/rtfm

Please see site for usage terms,
and more aircraft documents.

